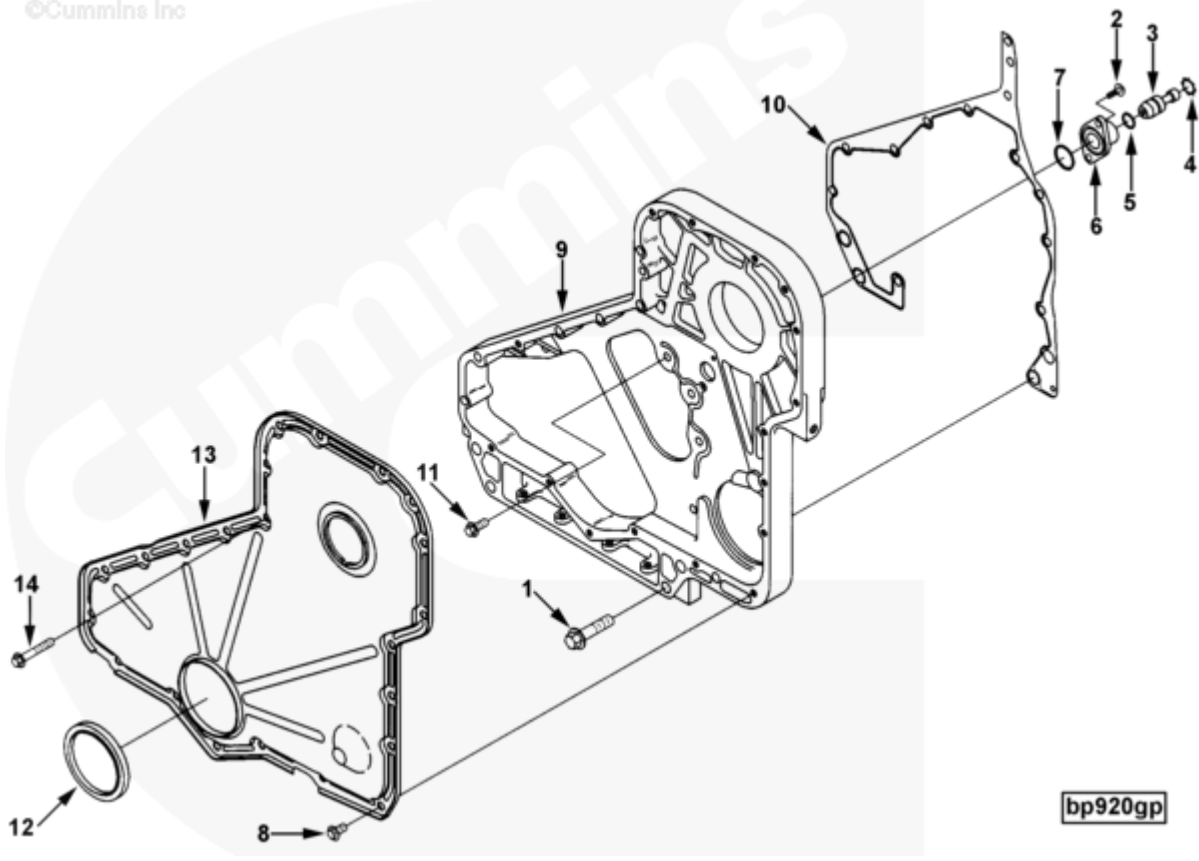




## Parts Catalog - Option Detail

Electronic Parts Catalog - Option Detail				
Option	Group	Graphic	Film Card	Date
BP9733-05	01.06	bp920gp	Z	17-OCT-94
<b>Engines</b>	6C8.3, C GAS PLUS CM556, G8.3, G8.3 CM558, GTA8.3 CM558, ISC CM2150, ISC CM554, ISC CM850, ISC8.3 CM2250, ISC8.3 G CM2180 C101, ISL CM2150, ISL CM554, ISL CM850, ISL G CM2180, ISL8.9 CM2150 L110, ISL8.9 CM2880 L112, ISL9 CM2150 SN, ISL9 CM2250, ISL9 CM2350 L101, ISL9 CM2350 L111, ISLE4 CM850, L GAS PLUS CM556, L8.9, L8.9 L121, L8.9G CMOH2.0 L125B, L9 CM2350 L116B, L9 CM2350 L119B, L9 CM2350 L120C, L9 CM2350 L123B, L9.3 L105, L9.5 L117, L9N CM2380 L124B, QSC8.3 CM2250, QSC8.3 CM2880 C102, QSC8.3 CM554, QSC8.3 CM850(CM2850), QSL9 CM2250, QSL9 CM2250 L115, QSL9 CM2350 L102, QSL9 CM2350 L107, QSL9 CM2350 L118, QSL9 CM2350 L122, QSL9 CM554, QSL9 CM850(CM2850), QSL9 G CM558, QSL9 M CM2250 L106, QSL9.3 CM2880 L113			



**bp920gp**

[SMALL](#) | [MEDIUM](#) | [LARGE](#)

Cart	Ref No	Part Number	Part Description	Required	Remarks
<a href="#">View My Cart</a>					
		<a href="#">BP9733-05</a>	Front Gear Cover		
		<a href="#">BP9733-05</a>	Front Gear Cover		
					Engine Family: C Series

				Engine Family: C Series
				Noise Dampening Panel
				Noise Dampening Panel
				Provided: No
				Provided: No
				PTO Location: High
				PTO Location: High
				Front Support Provision: No
				Front Support Provision: No
				Access for Tach Drive: Yes
				Access for Tach Drive: Yes
				Gear Housing Material: Cast
				Gear Housing Material: Cast
				Aluminum
				Aluminum
				Structure Code: 02 EBM
				Structure Code: 02 EBM
				Restricted Fuel Pump:
				Restricted Fuel Pump:
				Bosch A
				Bosch A
				Bosch MW
				Bosch MW
				Nippondenso EP9
				Nippondenso EP9
				3917779 gasket and 3916192
				3917779 gasket and 3916192
				gear cover may be substituted
				gear cover may be substituted
				by Brazil for 3925231 gear

					by Brazil for 3925231 gear
					cover.
					cover.
<input type="checkbox"/>	1	3902116	Hexagon Flange Head Cap Screw	4	M12 X 1.75 X 50.
<input type="checkbox"/>	1	3902116	Hexagon Flange Head Cap Screw	4	M12 X 1.75 X 50.
<input type="checkbox"/>	2	3907998	Round Head Cap Screw	2	M5 x 0.80 x 17
<input type="checkbox"/>	2	3907998	Round Head Cap Screw	2	M5 x 0.80 x 17
<input type="checkbox"/>		3913995	Timing Pin Housing	1	Purchase Individual Parts
<input type="checkbox"/>		3913995	Timing Pin Housing	1	Purchase Individual Parts
<input type="checkbox"/>	3	3903924	Timing Pin	1	
<input type="checkbox"/>	3	3903924	Timing Pin	1	
<input type="checkbox"/>	4	3904849	Retaining Ring	1	
<input type="checkbox"/>	4	3904849	Retaining Ring	1	
<input type="checkbox"/>	5	3913994	O-Ring Seal	1	
<input type="checkbox"/>	5	3913994	O-Ring Seal	1	
<input type="checkbox"/>	6	3919683	Timing Pin Housing	1	
<input type="checkbox"/>	6	3919683	Timing Pin Housing	1	
<input type="checkbox"/>	7	3915772	Rectangular Ring Seal	1	
<input type="checkbox"/>	7	3915772	Rectangular Ring Seal	1	
<input type="checkbox"/>	8	3925883	Hexagon Flange Head Cap Screw	17	M8 X 1.25 X 16
<input type="checkbox"/>	8	3925883	Hexagon Flange Head Cap Screw	17	M8 X 1.25 X 16
<input type="checkbox"/>	9	3926719	Gear Housing	1	
<input type="checkbox"/>	9	3926719	Gear Housing	1	
<input type="checkbox"/>	10	3938737	Gear Housing Gasket		
<input type="checkbox"/>	10	3926757	Gear Housing Gasket	1	
<input type="checkbox"/>	11	3926846	Hexagon Flange Head Cap Screw	5	M8 X 1.25 X 20.
<input type="checkbox"/>	11	3926846	Hexagon Flange Head Cap Screw	5	M8 X 1.25 X 20.
		3926841	Gear Cover	1	
		3926841	Gear Cover	1	

	12	<a href="#">3921927</a>	Oil Seal	1	
	12	<a href="#">3921927</a>	Oil Seal	1	
	13	<a href="#">3925231</a>	Gear Cover	1	
	13	<a href="#">3925231</a>	Gear Cover	1	
<input type="checkbox"/>	14	<a href="#">3926863</a>	Hexagon Flange Head Cap Screw	6	M8 X 1.25 X 50.
<input type="checkbox"/>	14	<a href="#">3926863</a>	Hexagon Flange Head Cap Screw	6	M8 X 1.25 X 50.

© 2019 Cummins Inc., Box 3005, Columbus, IN 47202-3005 U.S.A.  
Terms of Use and Disclaimers | Recommended System Requirements  
Need Assistance? Please click on the Contact Us button in the top right corner of any page.