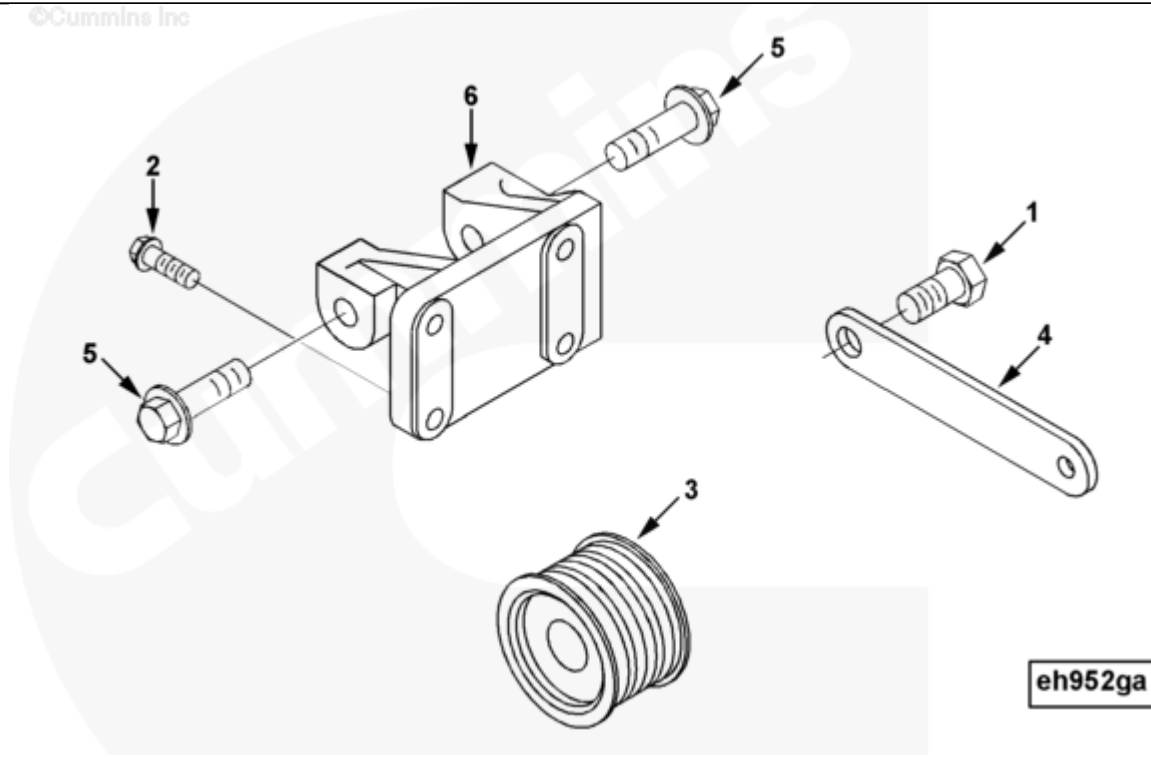




## Parts Catalog - Option Detail

Electronic Parts Catalog - Option Detail				
Option	Group	Graphic	Film Card	Date
EH9198	13.02.3	eh952ga	Z	11-DEC-96
<b>Engines</b>	6C8.3, C GAS PLUS CM556, G8.3, G8.3 CM558, GTA8.3 CM558, ISC CM2150, ISC CM554, ISC CM850, ISC8.3 CM2250, ISC8.3 G CM2180 C101, ISL CM2150, ISL CM554, ISL CM850, ISL G CM2180, ISL8.9 CM2150 L110, ISL8.9 CM2880 L112, ISL9 CM2150 SN, ISL9 CM2250, ISL9 CM2350 L101, ISL9 CM2350 L111, ISLE4 CM850, L GAS PLUS CM556, L8.9, L8.9 L121, L8.9G CMOH2.0 L125B, L9 CM2350 L116B, L9 CM2350 L119B, L9 CM2350 L120C, L9 CM2350 L123B, L9.3 L105, L9.5 L117, L9N CM2380 L124B, QSC8.3 CM2250, QSC8.3 CM2880 C102, QSC8.3 CM554, QSC8.3 CM850(CM2850), QSL9 CM2250, QSL9 CM2250 L115, QSL9 CM2350 L102, QSL9 CM2350 L107, QSL9 CM2350 L118, QSL9 CM2350 L122, QSL9 CM554, QSL9 CM850(CM2850), QSL9 G CM558, QSL9 M CM2250 L106, QSL9.3 CM2880 L113			



SMALL | MEDIUM | LARGE

Cart	Ref No	Part Number	Part Description	Required	Remarks
View My Cart					
		EH9198	Alternator Location		
					Alternator and drive
					provision for Delco Remy 22SI
					12 volt/160 A
					Bosch N1 up to 14 V/120 A or

					28 V/80 A
					For "C" Series engines with
					no fan option.
					Alternator driven at 2.9
					times engine speed
					DEP may substitute
					3920560 for 3918275.
					DEP may substitute 3920447
					capscrew in place of 3910540.
<input type="checkbox"/>	1	<a href="#">3052061</a>	Hexagon Head Cap Screw	1	1/2 - 13 x 1 in.
<input type="checkbox"/>	2	<a href="#">3900631</a>	Hexagon Flange Head Cap Screw	3	M8 X 1.25 X 25.
<input type="checkbox"/>	3	<a href="#">3918275</a>	Alternator Pulley	1	
<input type="checkbox"/>	4	<a href="#">3920317</a>	Alternator Brace	1	
<input type="checkbox"/>	5	<a href="#">3920447</a>	Hexagon Flange Head Cap Screw	2	M12 X 1.75 X 40.
<input type="checkbox"/>	6	<a href="#">3929418</a>	Alternator Support	1	