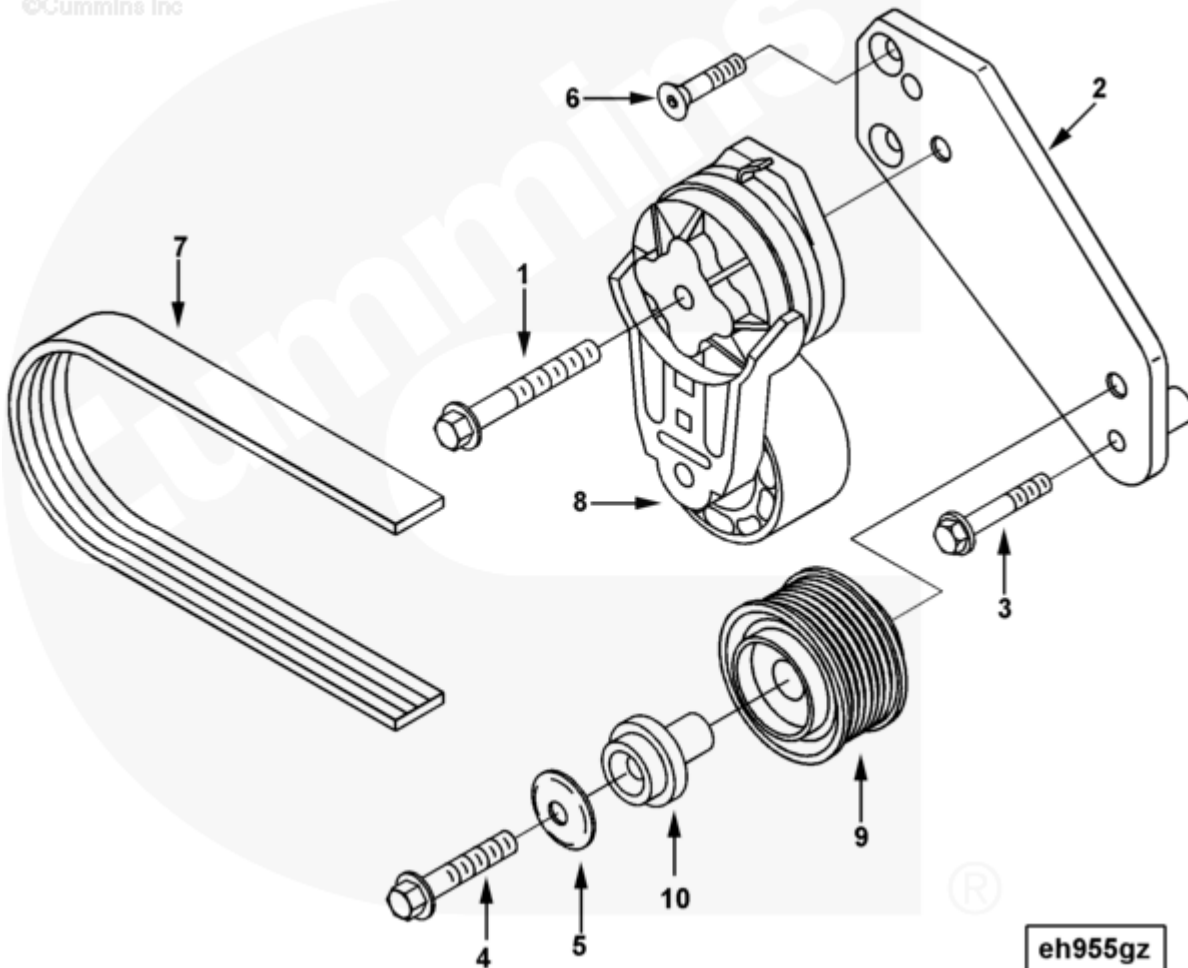




## Parts Catalog - Option Detail

Electronic Parts Catalog - Option Detail				
Option	Group	Graphic	Film Card	Date
EH97007	13.02.3	eh955gz	Z	16-NOV-04
<b>Engines</b>	6C8.3, C GAS PLUS CM556, G8.3, G8.3 CM558, GTA8.3 CM558, ISC CM2150, ISC CM554, ISC CM850, ISC8.3 CM2250, ISC8.3 G CM2180 C101, ISL CM2150, ISL CM554, ISL CM850, ISL G CM2180, ISL8.9 CM2150 L110, ISL8.9 CM2880 L112, ISL9 CM2150 SN, ISL9 CM2250, ISL9 CM2350 L101, ISL9 CM2350 L111, ISLE4 CM850, L GAS PLUS CM556, L8.9, L8.9 L121, L8.9G CMOH2.0 L125B, L9 CM2350 L116B, L9 CM2350 L119B, L9 CM2350 L120C, L9 CM2350 L123B, L9.3 L105, L9.5 L117, L9N CM2380 L124B, QSC8.3 CM2250, QSC8.3 CM2880 C102, QSC8.3 CM554, QSC8.3 CM850(CM2850), QSL9 CM2250, QSL9 CM2250 L115, QSL9 CM2350 L102, QSL9 CM2350 L107, QSL9 CM2350 L118, QSL9 CM2350 L122, QSL9 CM554, QSL9 CM850(CM2850), QSL9 G CM558, QSL9 M CM2250 L106, QSL9.3 CM2880 L113			



[SMALL](#) | [MEDIUM](#) | [LARGE](#)

Cart	Ref No	Part Number	Part Description	Required	Remarks
View My Cart					
		EH97007	Alternator Drive		MR - DRIVE, ALTERNATOR...(More)

					Tensioner Pulley Type:
					Standard
					Water Pump Pulley Diameter
					(mm): 110.74
					Belt Supplier: Cummins
					Required Belt Length (mm):
					N/A
					Belt Tensioner Supplier:
					Cummins
					Damper Pulley Effective
					Diameter (mm): 173.76
					Engine Design Phase: Current
					Product
					Tall Tensioner Bracket: No
					Engine Family: C Series
					Alternator
					Manufacturer/Model:
					Bosch N-1 up to 14V/110A;
					Bosch N-1 up to 28V/80A;
					Delco Remy 20 SI Up to
					12V/60A;
					Delco Remy 20 SI Up to
					24V/60A;
					Delco Remy 22 SI12V/100A;
					Delco Remy 22 SI12V/130A;
					Delco Remy 22 SI24V/70A;
					Prestolite LNA 9524
					Brazil May Use P/N 3971876
					Instead of P/N 3935015
					Brazil May Use PN3939580

					Instead of 3288812
					Brazil May Use P/N 3967188
					Instead of 3937553
<input type="checkbox"/>	1	<a href="#">3282081</a>	Hexagon Flange Head Cap Screw	1	M10 x 1.50 x 75
<input type="checkbox"/>	2	<a href="#">3925697</a>	Belt Tensioner Bracket	1	
<input type="checkbox"/>	3	<a href="#">3900633</a>	Hexagon Flange Head Cap Screw	1	M8 X 1.25 X 50
<input type="checkbox"/>	4	<a href="#">3910901</a>	Hexagon Flange Head Cap Screw	1	M10 x 1.50 x 55
<input type="checkbox"/>	5	<a href="#">3935013</a>	Dust Shield	1	
<input type="checkbox"/>	6	<a href="#">3925186</a>	Flat Head Cap Screw	2	M8 x 1.25 x 25
<input type="checkbox"/>	7	<a href="#">3288812</a>	V Ribbed Belt	1	
	8	<a href="#">3937553</a>	Belt Tensioner	1	
<input type="checkbox"/>	9	<a href="#">3978019</a>	Idler Pulley	1	
<input type="checkbox"/>	10	<a href="#">3935229</a>	Idler Shaft	1	