


## Part List

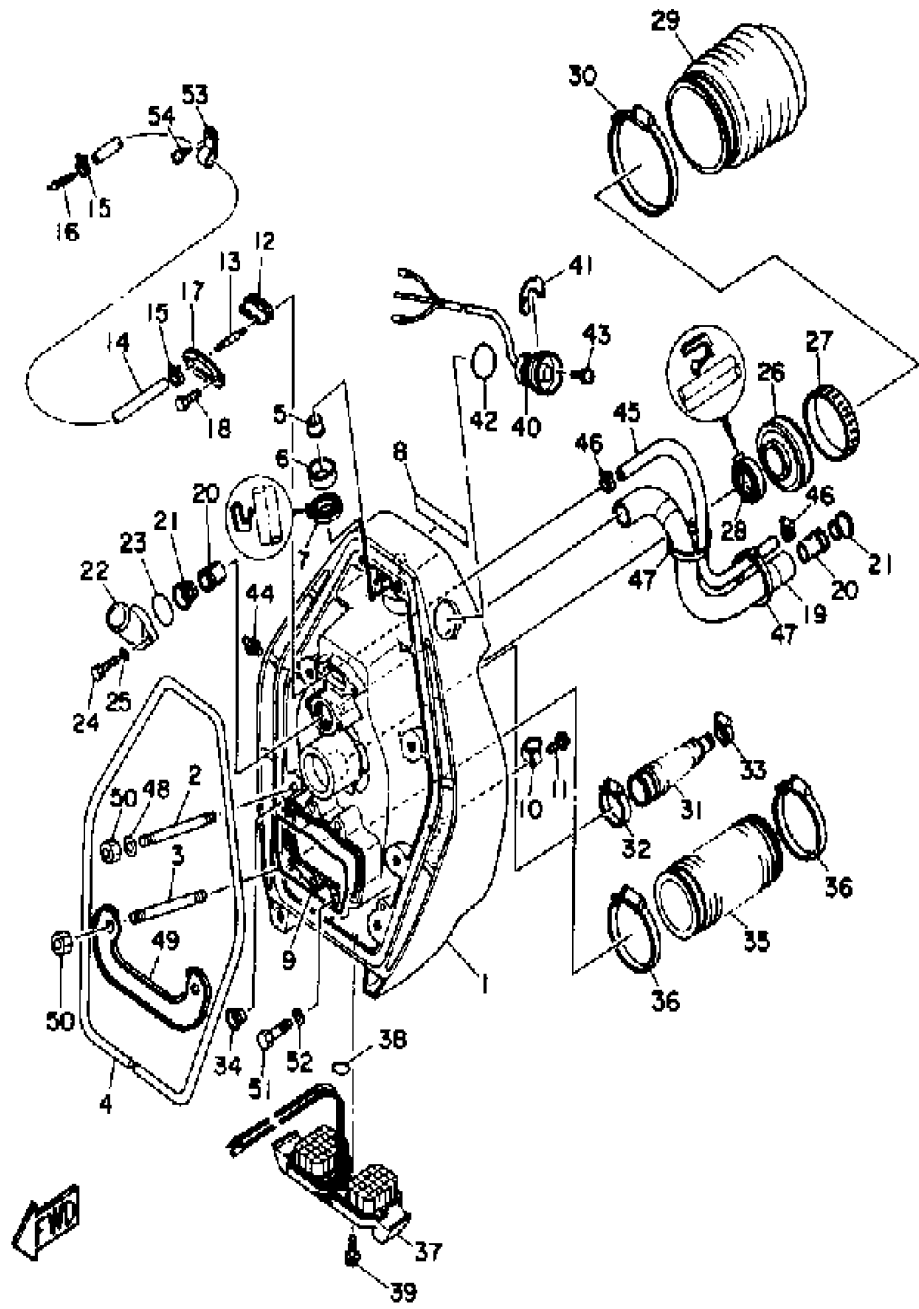
V8\_7.4\_INTERMEDIATE 1992 / TRAMSOM PLATE

REF - NO	PART NUMBER	PART NAME	QUANTITY	REMARKS
1	6T4-45831-00-EK	PLATE, TRANSOM	1	
2	6U0-11019-00-00	MOUNT, RUBBER 2	2	
3	6T4-11029-00-00	STOPPER, MOUNT RUBBER	4	
4	90387-12M00-00	COLLAR	2	
5	90101-13M04-00	BOLT	2	
6	95380-12700-00	NUT	2	
7	90215-18M01-00	WASHER, LOCK	2	
8	90109-18M41-00	BOLT	2	
9	90465-08M33-00	CLAMP	1	
10	6T4-82149-00-00	WIRE, LEAD 3	1	
11	97395-06012-00	BOLT	1	
12	92990-06600-00	WASHER, PLATE	1	
13	95780-12300-00	NUT, FLANGE	2	
14	90201-13M02-00	WASHER, PLATE	2	

## Part Notes

V8\_7.4\_INTERMEDIATE 1992 / TRAMSOM PLATE

PART NUMBER	NOTE TEXT
92990-06600-00 	OEM: This part number is among the Top 100 Most Popular Marine Maintenance Parts as of February 2013.



## Part List


V8\_7.4\_INTERMEDIATE 1992 / GIMBAL HOUSING 1

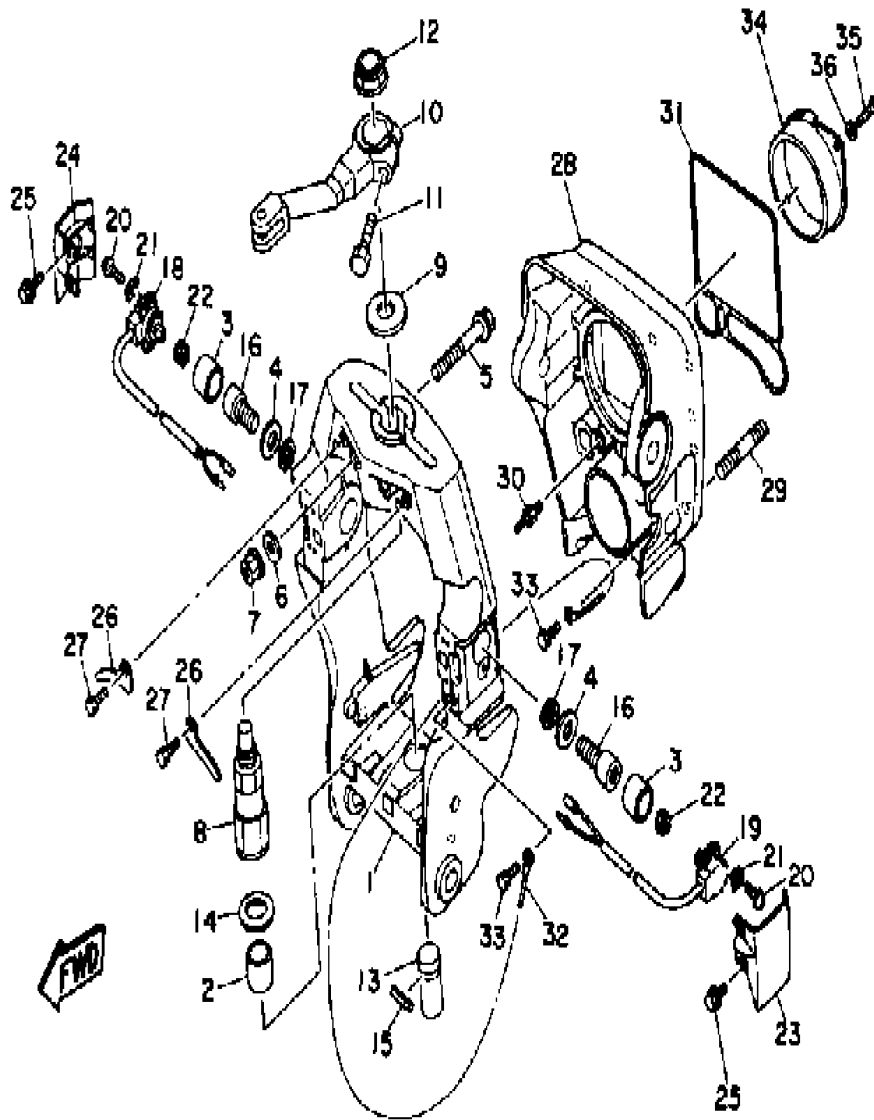
REF - NO	PART NUMBER	PART NAME	QUANTITY	REMARKS
1	6U0-4583E-00-EK	HOUSING, GIMBAL	1	
2	90116-12M37-00	BOLT, STUD	6	
3	90116-12M36-00	BOLT, STUD	2	
4	6U0-45834-00-00	GASKET, TRANSOM	1	
5	90389-16M00-00	BUSH	1	
6	90384-32M19-00	BUSH, BIMETAL FORM	1	
7	93104-32M08-00	OIL SEAL	1	
8	6U0-42782-00-00	GRAPHIC REAR	1	
9	6U0-14613-00-00	GASKET, EXHAUST PIPE	1	
10	90464-13M39-00	CLAMP	2	
11	90119-06M46-00	BOLT, WITH WASHER	2	
12	90480-20M45-00	GROMMET	1	
13	6T4-83652-00-00	CONNECTOR	1	
14	90445-07M18-00	HOSE	1	
15	90465-11M10-00	CLAMP	2	
16	6E5-83558-00-00	END, NIPPLE	1	
17	6T4-4583H-01-00	SET PLATE, RUBBER SEAL	1	
18	97395-06012-00	BOLT	2	
19	6U0-4583M-00-00	HOSE, WATER 1	1	
20	6U0-12581-00-00	JOINT, HOSE 1	2	
21	6U0-12582-00-00	JOINT, HOSE 2	2	
22	6U0-12573-00-00	FLANGE, HOSE JT.1	1	
23	93210-37ME9-00	O-RING	1	
24	97395-06025-00	BOLT	2	
25	92990-06600-00	WASHER, PLATE	2	
26	93399-999U0-00	BEARING	1	
27	6T4-45842-00-00	PLATE, GIMBAL BEARING	1	
28	93102-35M30-00	OIL SEAL	1	
29	6U0-45867-00-00	BELLOWS	1	
30	90460-90M10-00	CLAMP, HOSE	1	
31	6T4-48392-00-00	BOOT, REMOCON CABLE	1	
32	90460-35M11-00	CLAMP, HOSE	1	
33	90460-10M12-00	CLAMP, HOSE	1	
34	6T4-48341-00-00	SLEEVE, SHIFT	1	
35	6T4-41145-00-00	EXHAUST BELLOWS	1	
36	90460-70M13-00	CLAMP, HOSE	2	
37	6U0-4587A-00-00	ANODE	1	
38	93210-20256-00	O-RING	1	
39	90119-06M96-00	BOLT, WITH WASHER	4	
40	6T4-82563-00-00	TRIM & TILT SWITCH ASSY	1	
41	6T4-83614-00-00	BRACKET	1	
42	93210-39M89-00	O-RING	1	
43	90159-05M12-00	SCREW, WITH WASHER	2	
44	93700-09M00-00	NIPPLE, GREASE	1	
45	90445-07M30-00	HOSE (L450)	1	
46	90465-11M10-00	CLAMP	2	
47	90464-07M40-00	CLAMP	2	
48	92990-12200-00	WASHER, PLAIN	6	
49	6U0-45833-00-00	PLATE, TRANSOM 2	1	
50	95780-12300-00	NUT, FLANGE	8	
51	97395-10030-00	BOLT, HEXAGON	4	
52	92995-10600-00	WASHER	4	

53	90464-11M18-00	CLAMP	1
54	97780-50612-00	SCREW, TAPPING	1

**Part Notes**

V8\_7.4\_INTERMEDIATE 1992 / GIMBAL HOUSING 1

PART NUMBER		NOTE TEXT
92990-06600-00		OEM: This part number is among the Top 100 Most Popular Marine Maintenance Parts as of February 2013.





# Part List

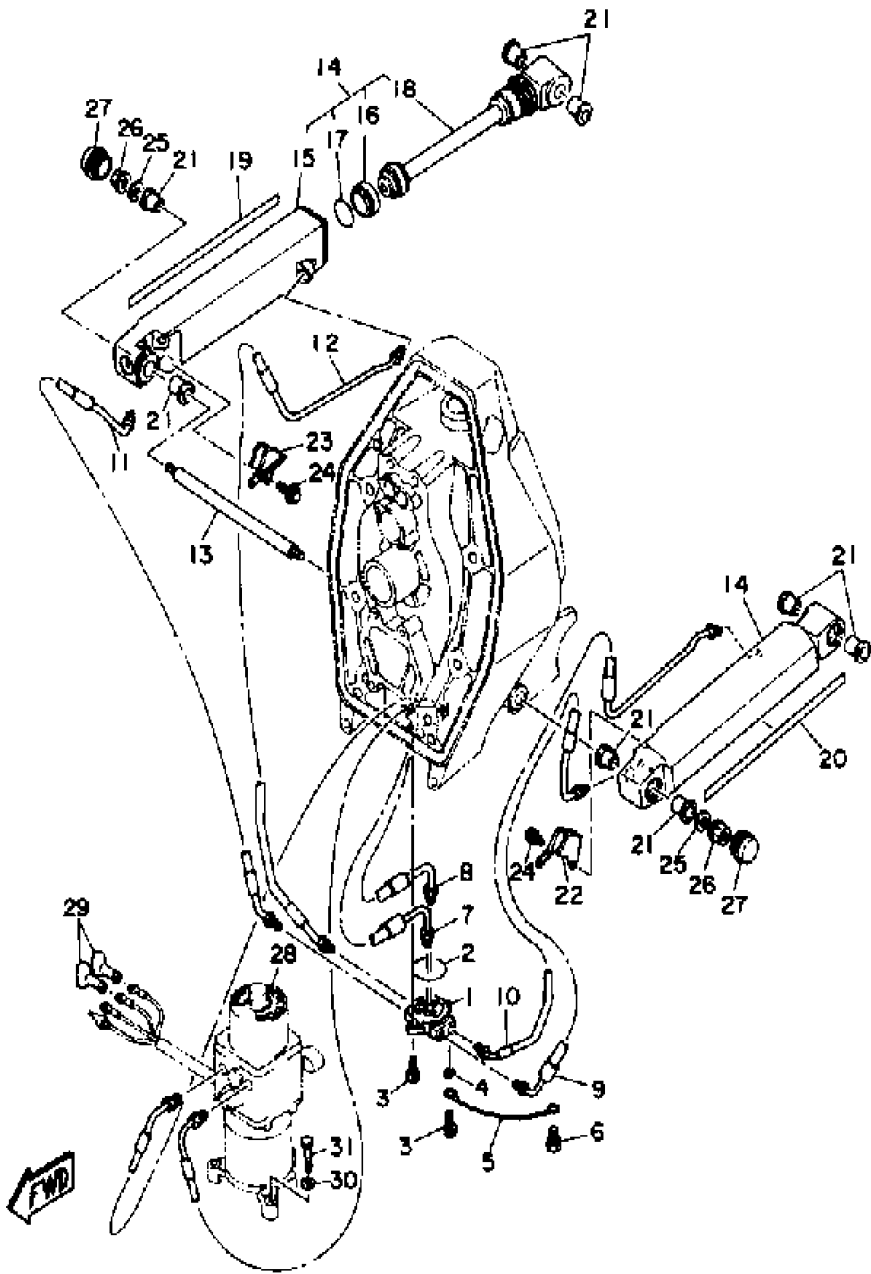
V8\_7.4\_INTERMEDIATE 1992 / GIMBAL HOUSING 2

REF - NO	PART NUMBER	PART NAME	QUANTITY	REMARKS
1	6U0-4584E-00-EK	RING, GIMBAL	1	
2	90386-25M90-00	BUSH, SPEC"L NYLON	1	
3	90386-25M91-00	BUSH, SPEC"L NYLON	2	
4	90202-28M50-00	WASHER, PLATE	2	
5	90119-10M44-00	BOLT, WITH WASHER	2	
6	92990-10600-00	WASHER, PLATE	2	
7	95780-10300-00	NUT, FLANGE	2	
8	6U0-42521-00-00	SHAFT, STEERING PIV	1	
9	90201-32M02-00	WASHER, PLATE	1	
10	6U0-42511-00-EK	BRACKET, STEERING	1	
11	90109-10M56-00	BOLT	1	
12	90185-20M08-00	NUT, SELF-LOCKING	1	
13	6U0-42522-00-00	SHAFT, STEERING PIVOT 2	1	
14	90201-26M01-00	WASHER, PLATE	1	
15	91690-40040-00	PIN, SPRING	1	
16	6U0-43143-00-00	BOLT	2	
17	90201-17M01-00	WASHER, PLATE	2	
18	6T4-83672-10-00	TRIM SENDER	1	
19	6T4-8259G-00-00	SWITCH, TRIM LIMIT	1	
20	90159-05M13-00	SCREW, WITH WASHER	4	
21	90209-05M18-00	WASHER	4	
22	6T4-83674-00-00	COUPLER, SENDER	2	
23	6U0-42532-00-EK	COVER	1	
24	6U0-42533-00-EK	COVER	1	
25	90119-06M97-00	BOLT, WITH WASHER	4	
26	90465-12M45-00	CLAMP	2	
27	90101-06M02-00	BOLT	2	
28	6U0-43311-00-EK	BRACKET, SWIVEL 1	1	
29	90116-12M47-00	BOLT, STUD	6	
30	6E5-45378-00-00	NIPPLE, HOSE	1	
31	6U0-45113-00-00	GASKET, UPPER CASING	1	
32	6T4-82127-00-00	WIRE, LEAD 2	1	
33	97395-06010-00	BOLT	2	
34	6U0-45868-00-00	RETAINER, BELLOWS	1	
35	97395-06010-00	BOLT	2	
36	92990-06600-00	WASHER, PLATE	2	

# Part Notes

V8\_7.4\_INTERMEDIATE 1992 / GIMBAL HOUSING 2

PART NUMBER		NOTE TEXT
92990-10600-00		OEM: This part number is among the Top 100 Most Popular Marine Maintenance Parts as of February 2013.
92990-06600-00		OEM: This part number is among the Top 100 Most Popular Marine Maintenance Parts as of February 2013.

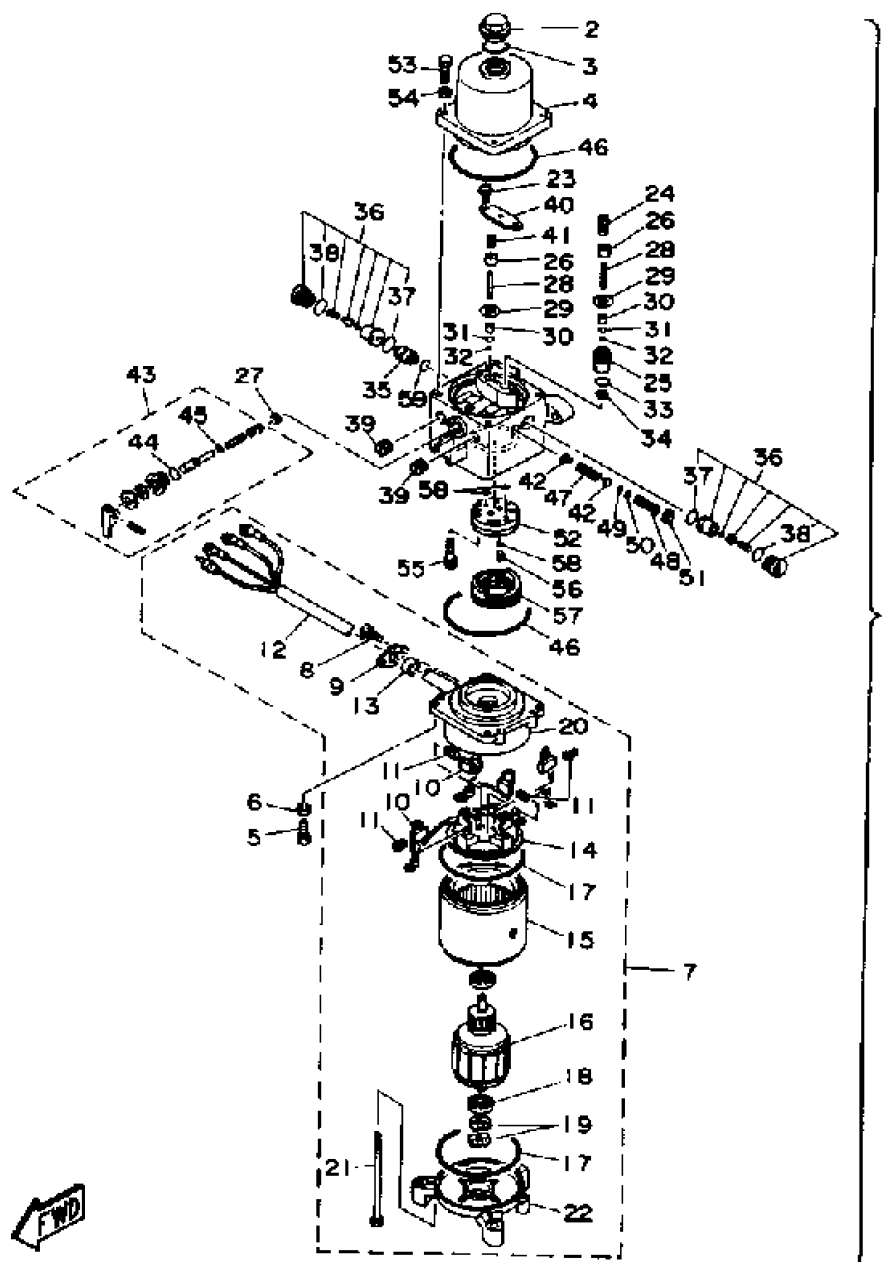




## Part List

V8\_7.4\_INTERMEDIATE 1992 / TILT CYLINDER

REF - NO	PART NUMBER	PART NAME	QUANTITY	REMARKS
1	6T4-4382A-00-EK	ADAPTOR 1	1	
2	93210-48M87-00	O-RING	1	
3	90119-06M45-00	BOLT, WITH WASHER	2	
4	90209-06M05-00	WASHER	1	
5	6T4-82117-00-00	WIRE, LEAD	1	
6	97395-06010-00	BOLT	1	
7	6T4-4383K-00-00	HOSE, OIL 1	1	
8	6T4-4383E-00-00	HOSE ,OIL 2	1	
9	6U0-4383F-00-00	HOSE, OIL 3	1	
10	6U0-4383G-00-00	HOSE, OIL 4	1	
11	6U0-4383H-00-00	HOSE, OIL 5	1	
12	6U0-4383J-00-00	HOSE, OIL 6	1	
13	6T4-43124-00-00	PIN, LOWER SHOCK MOUNT	1	
14	6U0-4380E-00-EK	TILT CYLINDER ASSEMBLY	2	
15	6U0-43813-00-94	.CYLINDER, TILT	1	
16	6T4-43814-00-00	.PISTON, FREE	1	
17	6T4-43862-00-00	.O-RING	2	
18	6U0-43810-00-00	.PISTON SUB ASSEMBLY	1	
19	6U0-42783-00-00	GRAPHIC, DRIVE (HYDRA DRIVE)	1	
20	6U0-42784-00-00	GRAPHIC, SIDE 2 (HYDRA DRIVE)	1	
21	90386-16M81-00	BUSH	8	
22	6U0-4381E-00-00	BRACKET 1	1	
23	6U0-4381F-00-00	BRACKET 2	1	
24	90119-06M97-00	BOLT, WITH WASHER	4	
25	90201-10M76-00	.WASHER, PLATE	2	
26	95780-10300-00	NUT, FLANGE	2	
27	6U0-43125-00-00	COVER, SHOCK MOUNT	2	
28	6T4-42791-00-00	MARK 1	1	
29	6G5-82119-00-00	COVER, LEAD WIRE	2	
30	92990-08600-00	WASHER, PLATE	3	
31	90149-08M11-00	SCREW	3	



## Part List


V8\_7.4\_INTERMEDIATE 1992 / POWER TILT BODY ASSEMBLY

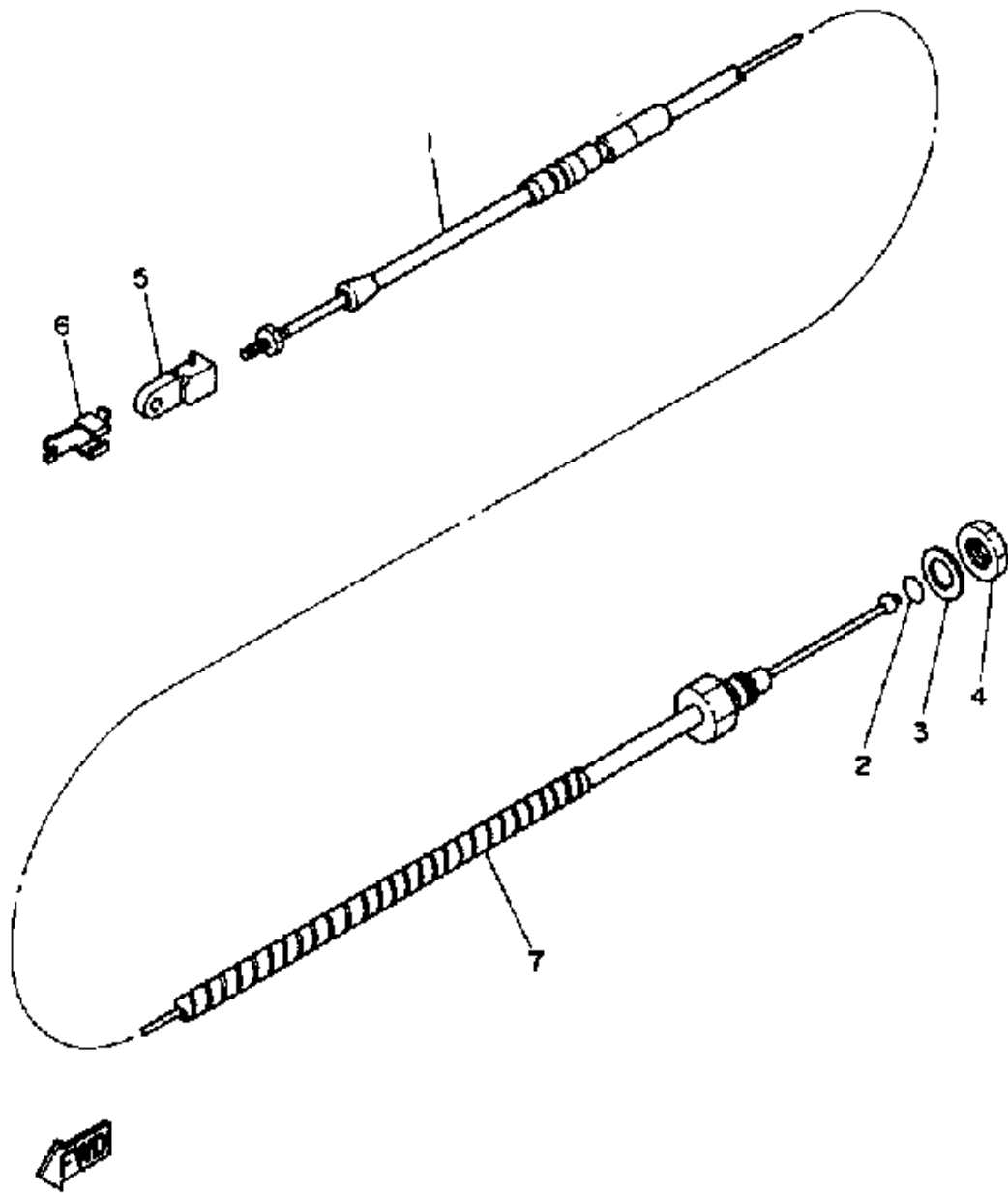
REF - NO	PART NUMBER	PART NAME	QUANTITY	REMARKS
1	6T4-4380A-01-EK	POWER TLT.BODY ASSEMBLY	1	
2	6T4-43829-00-00	..PLUG, RESERVOR	1	
3	93210-21276-00	..O-RING	1	
4	6T4-43828-00-00	..BODY, RESERVOIR	1	
5	97395-06020-00	..BOLT, HEXAGON	4	
6	92990-06100-00	..WASHER, SPRING	4	
7	6T4-43880-01-00	..MOTOR ASSEMBLY	1	
8	98580-05008-00	..SCREW, PAN HEAD	2	
9	6T4-4386J-00-00	..WASHER, SPECIAL	1	
10	6T4-43891-00-00	..BRUSH	2	
11	6T4-4386K-00-00	..SPRING, BRUSH	4	
12	6T4-43807-00-00	..WIRE SUB ASSEMBLY	1	
13	6T4-43885-00-00	..GROMMET	1	
14	6T4-43806-00-00	..BRUSH HOLDER ASSEMBLY	1	
15	6T4-43804-00-00	..STATOR ASSEMBLY	1	
16	6T4-43805-01-00	..ARMATURE ASSEMBLY	1	
17	93210-81782-00	..O-RING	2	
18	93300-60820-00	..BEARING	1	
19	90206-14086-00	..WASHER, WAVE	2	
20	6T4-43881-00-00	..FRAME, END	1	
21	6T4-43887-00-00	..BOLT, THROUGH	4	
22	6T4-43884-00-00	..FRAME, COMMUTATOR END	1	
23	97601-05210-00	..SCREW, PAN HEAD WITH WASHER	3	
24	6T4-43855-00-00	..SPRING, UP RELIEF	1	
25	6T4-43895-00-00	..SEAT, RELIEF VALVE	1	
26	6T4-43844-00-00	..PIN, VALVE SUPPORT	2	
27	6H1-4384G-11-00	..SEAL, RELIEF VALVE	1	
28	91609-10014-00	..PIN, SPRING	2	
29	6T4-43893-00-00	..WASHER	2	
30	6T4-43851-00-00	..SEAT, RELIEF VALVE	2	
31	6T4-4384G-00-00	..SEAL, RELIEF VALVE	2	
32	93501-08001-00	..BALL	2	
33	93210-10M74-00	..O-RING	1	
34	6H1-43816-00-00	..FILTER 1	1	
35	6T4-43841-00-00	..PISTON, SHUTTLE	1	
36	6T4-43802-00-00	..VALVE SUB ASSEMBLY	2	
37	6H1-43867-00-00	..O-RING	1	
38	6H1-43866-00-00	..O-RING	1	
39	6T4-4388H-00-00	..PLUG	2	
40	6T4-4382K-00-00	..CAP, RELIEF VALVE	1	
41	6H1-43856-10-00	..SPRING, DOWN RELIEF	1	
42	61A-4384F-00-00	..SEAL, MAIN VALVE	2	
43	6T4-43860-00-00	..MANUAL VALVE SUB-ASSY	1	
44	93210-10M74-00	..O-RING	1	
45	93210-06519-00	..O-RING	1	
46	6T4-43869-00-00	..O-RING	2	
47	6T4-4385H-00-00	..SPRING, SEAL	1	
48	6T4-43849-00-00	..PIN, VALVE SUPPORT	1	
49	93210-06632-00	..O-RING	1	
50	6H1-43868-00-00	..O-RING	1	
51	6T4-43876-00-00	..RING, SNAP	1	
52	6T4-43830-00-00	..GEAR PUMP ASSY	1	

53	97395-06025-00	.BOLT	4	
54	92990-06600-00	.WASHER, PLATE	4	
55	97601-04230-00	.SCREW, PAN HEAD WITH WASHER	3	
56	6H1-43831-00-00	.CONNECTOR, SHAFT	1	
57	6H1-43817-00-00	.FILTER 2	1	
58	93210-06519-00	.O-RING	3	
59	93210-09350-00	.O-RING	1	

## Part Notes

V8\_7.4\_INTERMEDIATE 1992 / POWER TILT BODY ASSEMBLY

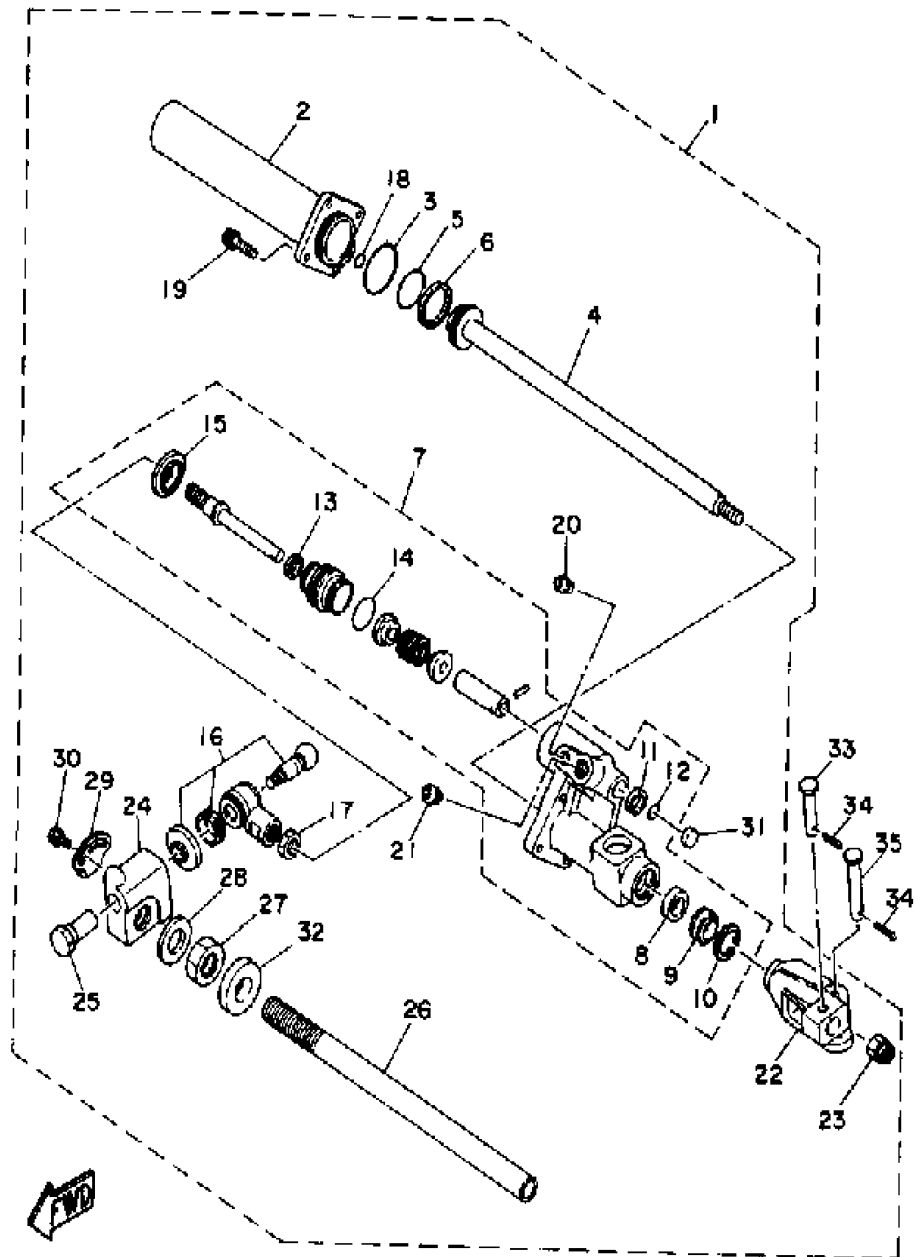
PART NUMBER		NOTE TEXT
92990-06600-00		OEM: This part number is among the Top 100 Most Popular Marine Maintenance Parts as of February 2013.



# Part List

V8\_7.4\_INTERMEDIATE 1992 / CONTROL

<b>REF - NO</b>	<b>PART NUMBER</b>	<b>PART NAME</b>	<b>QUANTITY</b>	<b>REMARKS</b>
1	6U0-48311-00-00	CABLE	1	
2	93210-10166-00	O-RING	1	
3	90201-13M05-00	WASHER, PLATE	1	
4	90170-12M28-00	NUT, HEXAGON	1	
5	6G8-26363-00-00	.END, WIRE 1	1	
6	6G8-26364-00-00	.END, CABLE	1	
7	90446-08M37-00	HOSE	1	

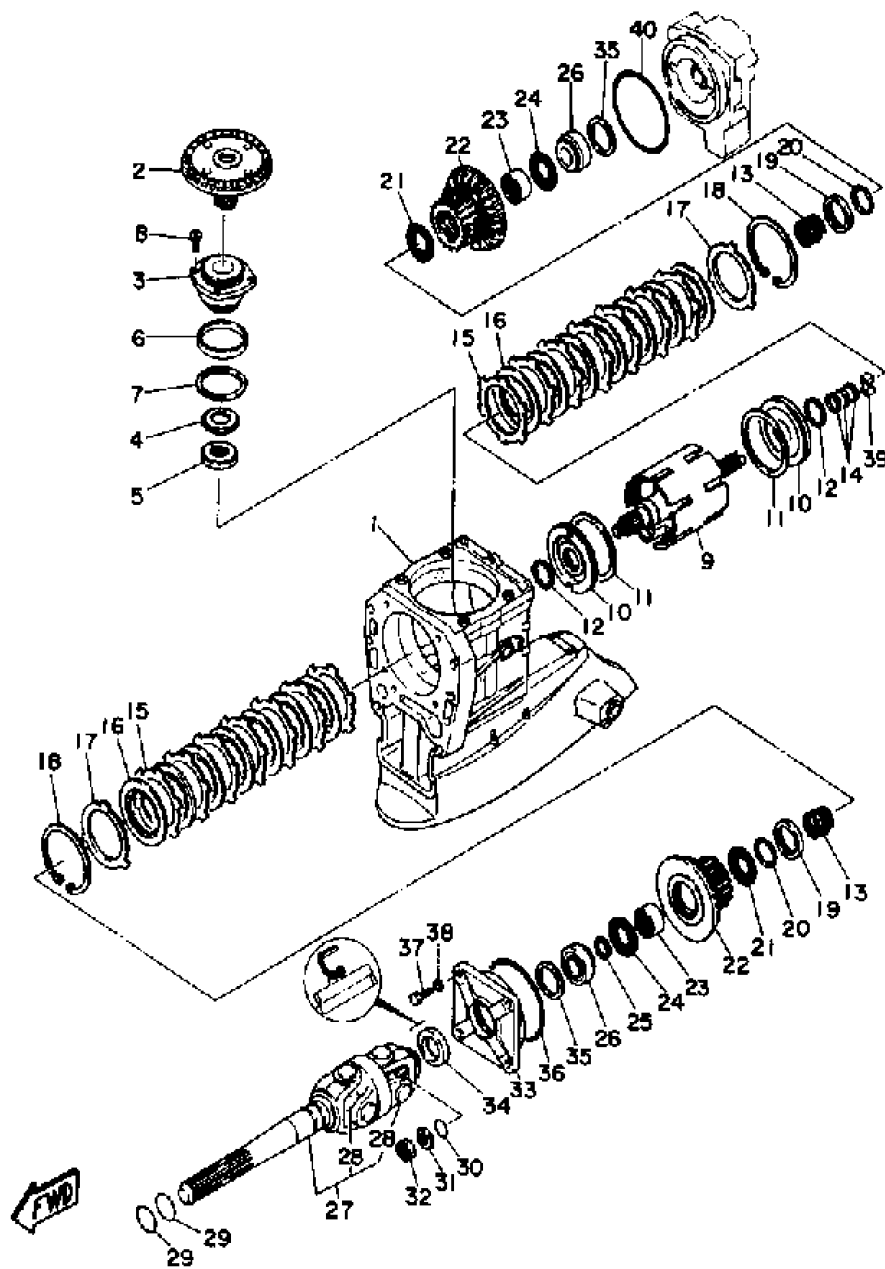


## Part List

V8\_7.4\_INTERMEDIATE 1992 / POWER STEERING CYLINDER ASSEMBLY

REF - NO	PART NUMBER	PART NAME	QUANTITY	REMARKS
1	6T4-42401-00-EK	POWER STEERING CYLINDER ASSY	1	
2	6T4-42410-00-00	.CYLINDER SUB-ASSEMBLY	1	
3	6T4-42416-00-00	.O-RING	1	
4	6T4-42420-00-00	.ROD SUB-ASSEMBLY	1	
5	6T4-42414-00-00	.O-RING	1	
6	6T4-42413-00-00	.SEAL, SLIPPER	1	
7	6T4-42430-00-00	.BODY, SUB-ASSEMBLY	1	
8	6T4-42449-00-00	..U-PACKING, CYLINDER	1	
9	6T4-42452-00-00	..WIPER, DUST	1	
10	6T4-42451-00-00	..SNAP RING, DUST WIPER	1	
11	6T4-42444-00-00	..U-PACKING, SPOOL VALVE	1	
12	6T4-42445-00-00	..O-RING	1	
13	6T4-42442-00-00	..UPACKING, SPOOL SHAFT	1	
14	6T4-42443-00-00	..O-RING	1	
15	6T4-42441-00-00	..DUST COVER, VALVE	1	
16	6T4-42460-00-00	.BALL JOINT SUB-ASSEMBLY	1	
17	6T4-42463-00-00	.NUT, BALL JOINT	1	
18	6T4-42417-00-00	.O-RING	1	
19	6T4-42415-00-00	.BOLT, CYLINDER	4	
20	6T4-42447-00-00	.SEAT, VALVE 1	1	
21	6T4-42448-00-00	.SEAT, VALVE 2	1	
22	6T4-42411-00-00	.ROD, END	1	
23	6T4-42412-00-00	.NUT, ROD END	1	
24	6T4-42471-00-00	.CONNECTOR, BALL JONT	1	
25	6T4-42472-00-00	.BOLT, CONNECTOR	1	
26	6T4-42473-00-00	.TUBE, SUPPORT	1	
27	6T4-42474-00-00	.NUT, SUPPORT TUBE	1	
28	6T4-42475-00-00	.WASHER, SUPPORT TUBE	1	
29	6T4-42477-00-00	.PLATE, LOCK	1	
30	6T4-42478-00-00	.BOLT, LOCK PLATE	1	
31	6T4-42446-00-00	.PLUG, VALVE	1	
32	6T4-42476-00-00	.CUSHION, SUPPORT TUBE	1	
33	90240-09M13-00	PIN, CLEVIS	1	
34	91490-25020-00	PIN. COTTER	2	
35	90240-09M12-00	PIN, CLEVIS	1	





## Part List


V8\_7.4\_INTERMEDIATE 1992 / UPPER DRIVE 1

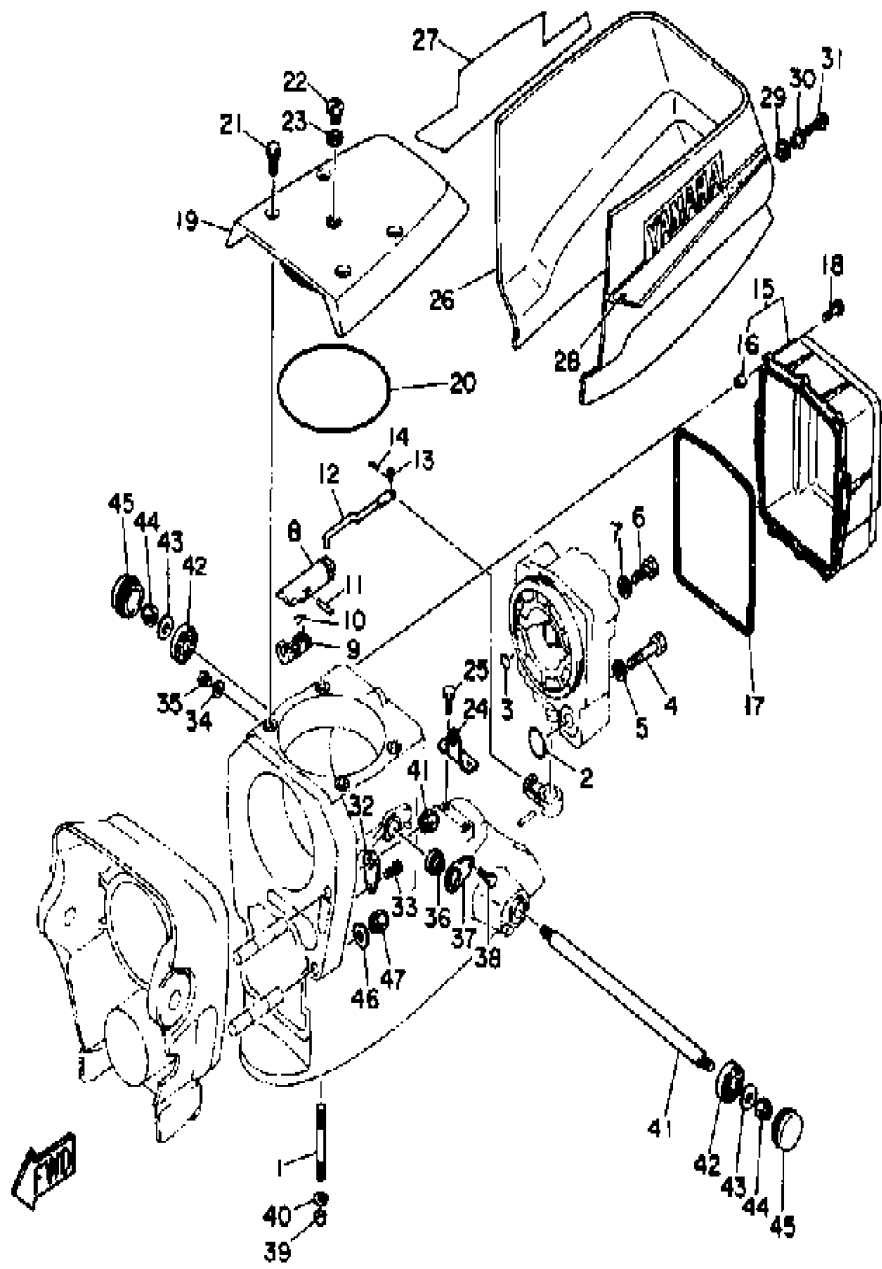
REF - NO	PART NUMBER	PART NAME	QUANTITY	REMARKS
1	6U1-45111-00-EK	CASING, UPPER	1	
2	6U1-4588E-00-00	GEAR 2	1	
3	93399-999U2-00	BEARING	1	
4	90214-30M06-00	WASHER, CLAW	1	
5	90170-30M18-00	NUT	1	
6	6U1-45539-00-00	SPACER 2	1	
7	6T5-45885-00-10	SHIM (T:0.10MM)	1	UR
7	6T5-45885-00-12	SHIM (T:0.12MM)	1	UR
7	6T5-45885-00-18	SHIM (T:0.18MM)	1	UR
7	6T5-45885-00-30	SHIM (T:0.30MM)	1	UR
7	6T5-45885-00-40	SHIM (T:0.40MM)	1	UR
7	6T5-45885-00-50	SHIM (T:0.50MM)	1	UR
7	6T5-45885-00-15	SHIM (T:0.15MM)	1	UR
8	92016-06016-00	BOLT, BUTTON HEAD	4	
9	6U1-45501-00-00	DRIVE SHAFT	1	
10	6U1-16319-00-00	PISTON, CLUTCH	2	
11	713-16393-A0-00	RING, SQUARE 1	2	
12	6U1-16394-00-00	RING, SQUARE 2	2	
13	6U1-16333-00-00	SPRING, CLUTCH 1	2	
14	713-18219-A0-00	RING, OIL SEAL	3	
15	6U1-16324-00-00	PLATE, CLUTCH 1	14	
16	6U1-16321-00-00	PLATE, FRICTION	14	
17	6U1-16329-00-00	PLATE, BACK 1	2	
18	93420-99053-00	CIRCLIP, R-TYPE	2	
19	6U1-45566-00-00	WASHER, THRUST 1	2	
20	93440-35M06-00	CIRCLIP, OUTER	2	
21	93340-235U0-00	BEARING, THRUST	2	
22	6U1-45881-00-00	GEAR 1	2	
23	93310-235X0-00	BEARING, CYLINDRICAL	2	
24	93340-235U0-00	BEARING, THRUST	2	
25	6U1-45884-00-50	SHIM (T:2.50MM)	1	UR
25	6U1-45884-00-45	SHIM (T:2.45MM)	1	UR
25	6U1-45884-00-40	SHIM (T:2.40MM)	1	UR
25	6U1-45884-00-35	SHIM (T:2.35MM)	1	UR
25	6U1-45884-00-30	SHIM (T:2.30MM)	1	UR
25	6U1-45884-00-25	SHIM (T:2.25MM)	1	UR
25	6U1-45884-00-20	SHIM (T:2.20MM)	1	UR
25	6U1-45884-00-15	SHIM (T:2.15MM)	1	UR
25	6U1-45884-00-10	SHIM (T:2.10MM)	1	UR
25	6U1-45884-00-05	SHIM (T:2.05MM)	1	UR
26	93332-000U8-00	BEARING, TAPERED ROLLER	2	
27	6U1-45860-00-00	UNIVERSAL JOINT ASSEMBLY	1	
28	6U1-45864-00-00	.SPIDER BEARING COMP	2	
29	93210-22M93-00	O-RING	2	
30	93210-22MF1-00	.O-RING	1	
31	90209-16M22-00	WASHER	1	
32	90170-16M27-00	NUT	1	
33	6U1-45871-00-EK	HOUSING, BEARING	1	
34	93102-38M39-00	OIL SEAL	1	
35	6T5-45587-00-10	SHIM (T:0.10MM)	1	UR
35	6T5-45587-00-12	SHIM (T:0.12MM)	1	UR
35	6T5-45587-00-50	SHIM (T:0.50MM)	1	UR

35	6T5-45587-00-40	SHIM (T:0.40MM)	1	UR
35	6T5-45587-00-15	SHIM (T:0.15MM)	1	UR
35	6T5-45587-00-18	SHIM (T:0.18MM)	1	UR
35	6T5-45587-00-30	SHIM (T:0.30MM)	1	UR
36	93211-09MF2-00	O-RING	1	
37	98012-10030-00	BOLT	4	
38	92990-10600-00	WASHER, PLATE	4	
39	6U1-13132-00-00	JOINT	1	
40	93211-09MF2-00	O-RING	1	

## Part Notes

V8\_7.4\_INTERMEDIATE 1992 / UPPER DRIVE 1

PART NUMBER		NOTE TEXT
92990-10600-00		OEM: This part number is among the Top 100 Most Popular Marine Maintenance Parts as of February 2013.



## Part List


V8\_7.4\_INTERMEDIATE 1992 / UPPER DRIVE 2

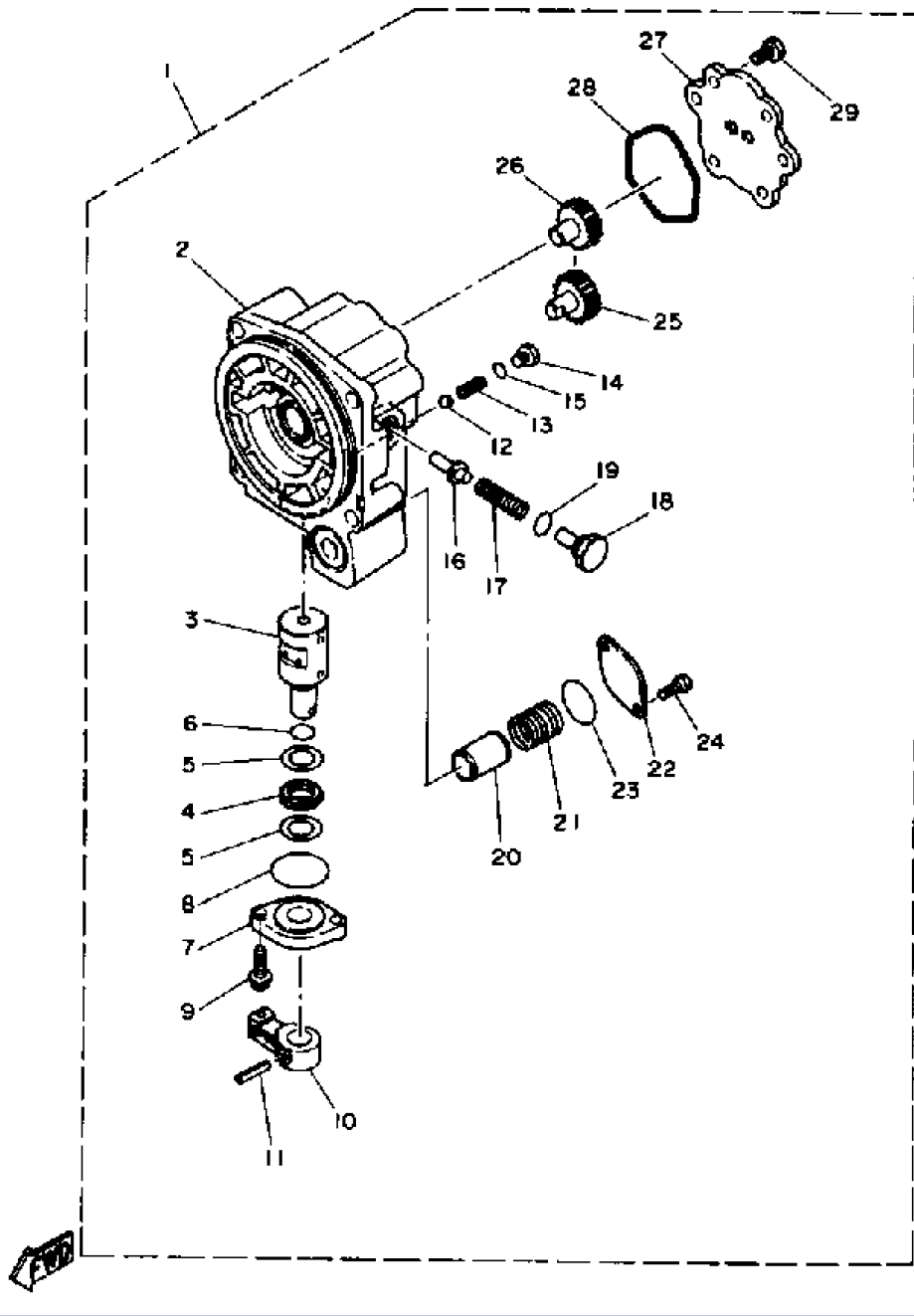
REF - NO	PART NUMBER	PART NAME	QUANTITY	REMARKS
1	90116-10M48-00	BOLT, STUD	6	
2	93210-27666-00	.O-RING	1	
3	93210-08006-00	.O-RING	1	
4	97012-10060-00	BOLT	3	
5	92990-10600-00	WASHER, PLATE	3	
6	98012-10030-00	BOLT	1	
7	92990-10600-00	WASHER, PLATE	1	
8	6U1-18421-00-00	SHIFTER	1	
9	6U1-18422-00-00	RETAINER, SHIFTER	1	
10	90508-08M32-00	SPRING, TORSION	1	
11	91690-40018-00	.PIN, SPRING	1	
12	6U1-18116-00-00	JOINT, ROD 1	1	
13	91790-05012-00	PIN	1	
14	91490-16018-00	.PIN. COTTER	1	
15	6U1-46154-00-00	COVER, HOUSING	1	
16	90387-07M03-00	.COLLAR	10	
17	6U1-45114-00-00	GASKET, UPPER CASING	1	
18	90119-06M46-00	BOLT, WITH WASHER	10	
19	6U1-45151-00-EK	COVER, UPPER CASING	1	
20	93211-28MF5-00	O-RING	1	
21	90105-08M56-00	BOLT, WASHER BASED	4	
22	90149-13M10-00	SCREW	1	
23	90430-13M04-00	GASKET	1	
24	6U1-17055-00-00	BRACKET	1	
25	97395-06012-00	BOLT	2	
26	6U1-45141-00-EK	COVER, UPPER CASING	1	
27	6U1-42783-00-00	GRAPHIC, SIDE (YAMAHA)	1	
28	6U1-42784-00-00	GRAPHIC, SIDE 2 (YAMAHA)	1	
29	90480-14M57-00	GROMMET	1	
30	90387-08M19-00	COLLAR	1	
31	90105-08M56-00	BOLT, WASHER BASED	1	
32	6U1-8272J-00-00	PLATE, EARTH 1	1	
33	97780-50610-00	SCREW, TAPPING	1	
34	90430-08020-00	.GASKET	1	
35	90340-08M04-00	PLUG, STRAIGHT SCREW	1	
36	6U1-15361-00-00	GAUGE, LEVEL	1	
37	6U1-15333-00-00	COVER	1	
38	90101-06M02-00	BOLT	1	
39	95780-10300-00	NUT, FLANGE	6	
40	92990-10600-00	WASHER, PLATE	6	
41	6T4-43124-00-00	PIN, LOWER SHOCK MOUNT	1	
42	6T4-43127-00-00	COLLER	2	
43	90201-10M76-00	.WASHER, PLATE	2	
44	95780-10300-00	NUT, FLANGE	2	
45	6U0-43125-00-00	COVER, SHOCK MOUNT	2	
46	90201-12M01-00	WASHER, PLATE	5	
47	90185-12M10-00	NUT, SELF-LOCKING	6	

## Part Notes

V8\_7.4\_INTERMEDIATE 1992 / UPPER DRIVE 2

PART NUMBER	NOTE TEXT
92990-10600-00	OEM: This part number is among the Top 100 Most Popular Marine Maintenance Parts as of February 2013.

		
92990-10600-00		OEM: This part number is among the Top 100 Most Popular Marine Maintenance Parts as of February 2013.
90430-08020-00		OEM: This part number is among the Top 100 Most Popular Marine Maintenance Parts as of February 2013.
92990-10600-00		OEM: This part number is among the Top 100 Most Popular Marine Maintenance Parts as of February 2013.

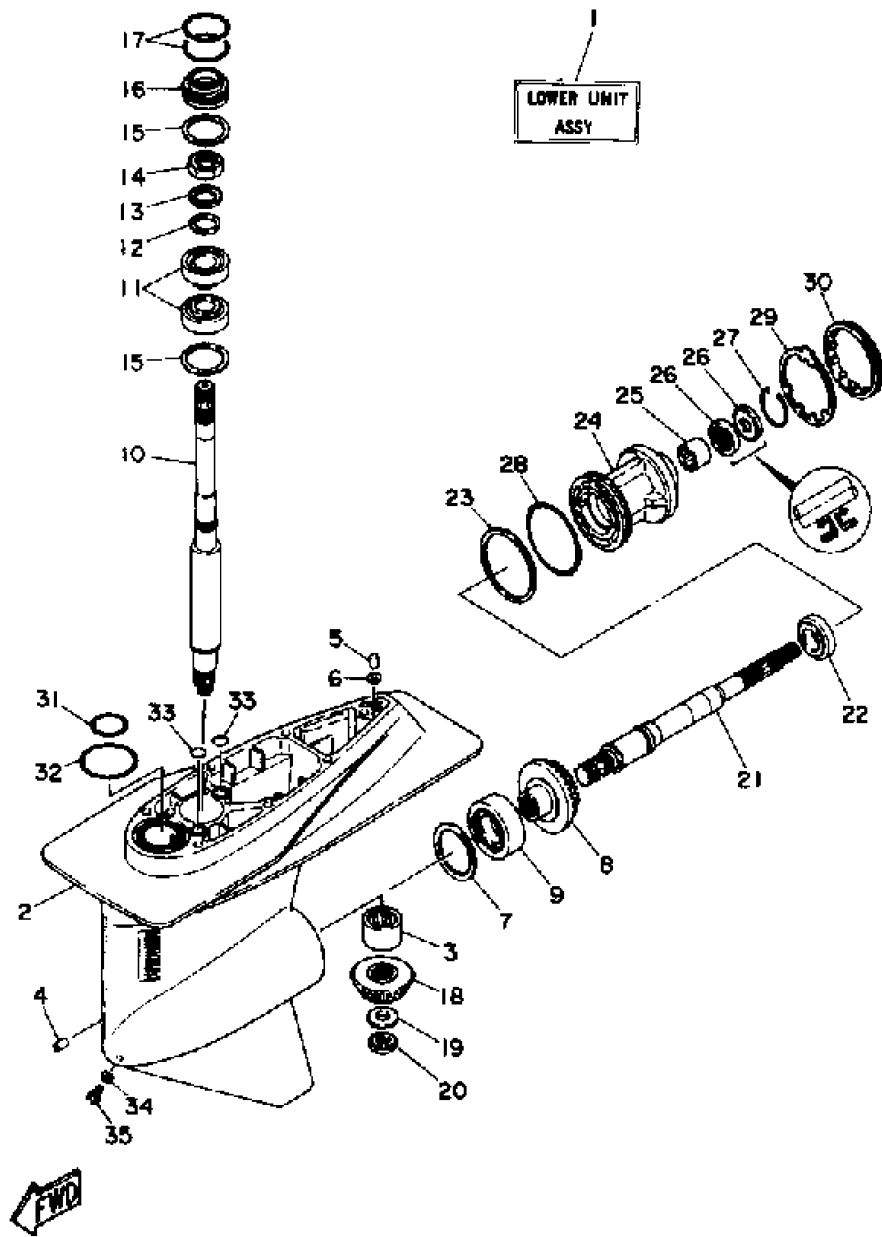


## Part List

V8\_7.4\_INTERMEDIATE 1992 / SELECTOR VALVE ASSEMBLY

REF - NO	PART NUMBER	PART NAME	QUANTITY	REMARKS
1	6U1-18210-00-94	SELECTOR VALVE ASSEMBLY	1	
2	6U1-18201-00-94	.VALVE BODY COMP	1	
3	6U1-18212-00-00	.STEM, VALVE	1	
4	93340-21505-00	.BEARING	1	
5	90201-15M01-00	.WASHER, PLATE	2	
6	93210-12648-00	.O-RING	1	
7	6U1-18231-00-00	.COVER, VALVE	1	
8	93210-32MF3-00	.O-RING	1	
9	95023-06020-00	.BOLT, FLANGE	2	
10	6U1-18191-00-00	.LEVER	1	
11	91609-50028-00	.PIN, SPRING	1	
12	93511-32027-00	.BALL	1	
13	705-18222-A0-00	.SPRING 2	1	
14	90109-10M57-00	.BOLT	1	
15	93210-08006-00	.O-RING	1	
16	6U1-18217-00-00	.PISTON, 3	1	
17	6U1-18224-00-00	.SPRING, 4	1	
18	90109-16M58-00	.BOLT	1	
19	93210-14MF4-00	.O-RING	1	
20	6U1-13411-00-00	.STRAINER, OIL	1	
21	90501-14M82-00	.SPRING, COMPRESSION	1	
22	6U1-13417-00-00	.COVER, STRAINER	1	
23	93210-27666-00	.O-RING	1	
24	97021-06012-00	.BOLT	2	
25	6U1-13324-00-00	.GEAR, PUMP DRIVE	1	
26	6U1-13325-00-00	.GEAR, PUMP DRIVEN	1	
27	6U1-13316-00-00	.COVER, PUMP	1	
28	6U1-13329-00-00	.GASKET, PUMP COVER	1	
29	97011-06016-00	.BOLT	6	






## Part List

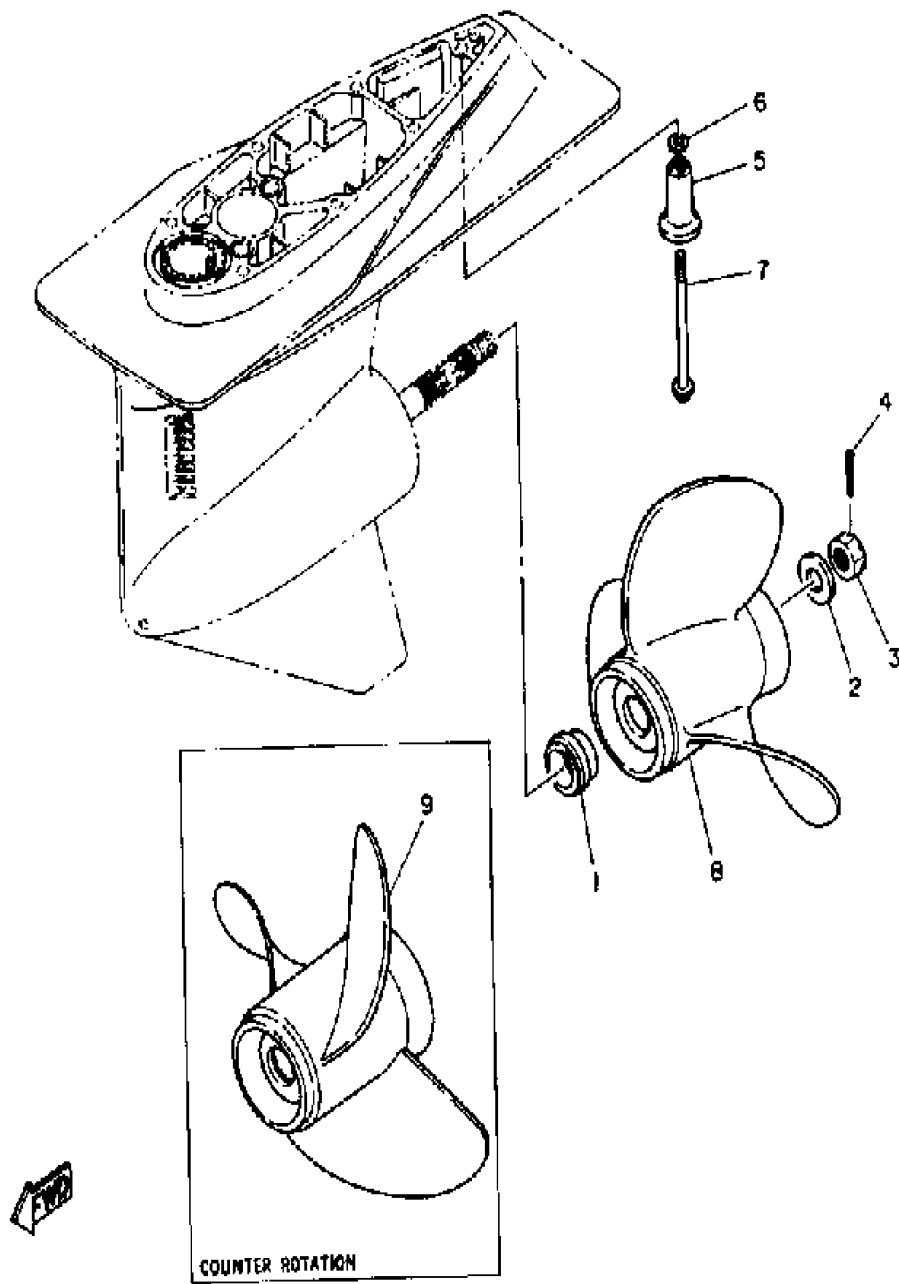
V8\_7.4\_INTERMEDIATE 1992 / LOWER - DRIVE 1

REF - NO	PART NUMBER	PART NAME	QUANTITY	REMARKS
1	6U1-45300-00-EK	LOWER UNIT ASSEMBLY (REF. #2~35)	1	
2	6U1-45311-00-EK	CASING, LOWER	1	
3	93319-931U0-00	BEARING, CYLINDRICAL	1	
4	90387-02M00-00	COLLAR	1	
5	93608-12M05-00	PIN, DOWEL	1	
6	92990-08400-00	WASHER	1	
7	6U1-45567-00-10	SHIM (T:0.10MM)	1	UR
7	6U1-45567-00-12	SHIM (T:0.12MM)	1	UR
7	6U1-45567-00-18	SHIM (T:0.18MM)	1	UR
7	6U1-45567-00-30	SHIM (T:0.30MM)	1	UR
7	6U1-45567-00-40	SHIM (T:0.40MM)	1	UR
7	6U1-45567-00-50	SHIM (T:0.50MM)	1	UR
7	6U1-45567-00-15	SHIM (T:0.15MM)	1	UR
8	6U1-45561-00-00	GEAR 1	1	
9	93332-000W3-00	BEARING, TAPERED	1	
10	6U1-45511-00-00	SHAFT, DRIVE	1	
11	93332-000W4-00	BEARING, TAPERED	2	
12	90201-30M01-00	WASHER, PLATE	1	
13	90214-30M06-00	WASHER, CLAW	1	
14	90170-30M18-00	NUT	1	
15	6T5-45587-00-30	SHIM (T:0.30MM)	1	UR
15	6T5-45587-00-40	SHIM (T:0.40MM)	1	UR
15	6T5-45587-00-18	SHIM (T:0.18MM)	1	UR
15	6T5-45587-00-15	SHIM (T:0.15MM)	1	UR
15	6T5-45587-00-50	SHIM (T:0.50MM)	1	UR
15	6T5-45587-00-10	SHIM (T:0.10MM)	1	UR
15	6T5-45587-00-12	SHIM (T:0.12MM)	1	UR
16	6U1-45538-00-00	SPACER, 1	1	
17	93210-57MF6-00	O-RING	2	
18	6U1-45551-00-00	PINION	1	
19	90201-21M03-00	WASHER, PLATE	1	
20	90185-20M09-00	NUT, SELF-LOCKING	1	
21	6U1-45611-00-00	SHAFT, PROPELLER	1	
22	93332-00022-00	BEARING	1	
23	6U1-45577-00-40	SHIM (T:0.40MM)	1	UR
23	6U1-45577-00-50	SHIM (T:0.50MM)	1	UR
23	6U1-45577-00-10	SHIM (T:0.10MM)	1	UR
23	6U1-45577-00-12	SHIM (T:0.12MM)	1	UR
23	6U1-45577-00-15	SHIM (T:0.15MM)	1	UR
23	6U1-45577-00-18	SHIM (T:0.18MM)	1	UR
23	6U1-45577-00-30	SHIM (T:0.30MM)	1	UR
24	6U1-45332-00-00	HOUSING, BEARING	1	
25	93315-430U8-00	BEARING	1	
26	93102-30M29-00	OIL SEAL	2	
27	93450-45M02-00	CIRCLIP	1	
28	93210-99103-00	O-RING	1	
29	6U1-45383-00-00	WASHER, CLAW	1	
30	6G5-45384-00-00	NUT	1	
31	93210-48MF7-00	O-RING	1	
32	93210-76MF8-00	O-RING	1	
33	93210-17MF9-00	O-RING	2	
34	90430-08020-00	.GASKET	1	

Part Notes

V8\_7.4\_INTERMEDIATE 1992 / LOWER - DRIVE 1

PART NUMBER		NOTE TEXT
90430-08020-00		OEM: This part number is among the Top 100 Most Popular Marine Maintenance Parts as of February 2013.




## Part List

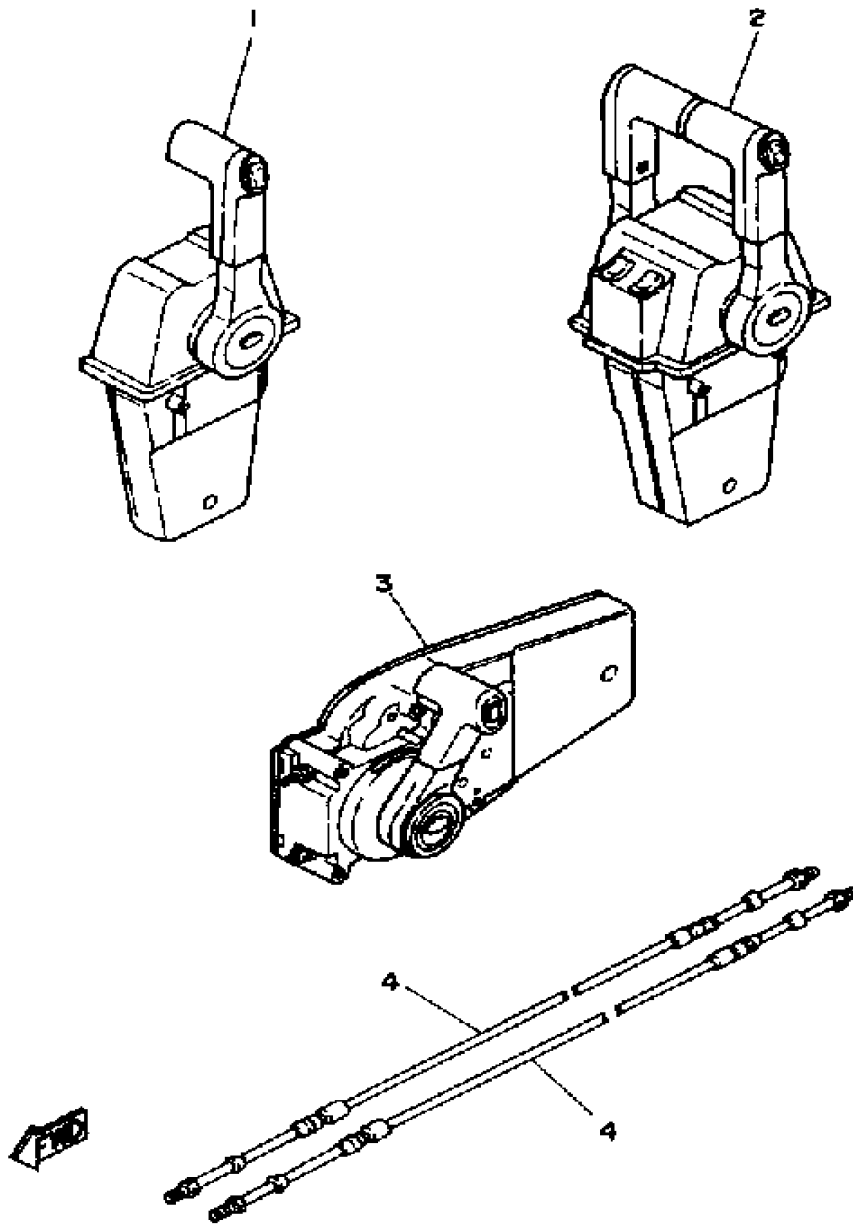
V8\_7.4\_INTERMEDIATE 1992 / LOWER - DRIVE 2

REF - NO	PART NUMBER	PART NAME	QUANTITY	REMARKS
1	6U1-45987-00-00	SPACER 1	1	
2	90201-19M01-00	WASHER, PLATE	1	
3	90171-18M04-00	NUT, CASTLE	1	
4	91490-40030-00	PIN. COTTER	1	
5	6U1-45251-00-00	ANODE	1	
6	92990-08200-00	WASHER, PLAIN	1	
7	90105-08M57-00	BOLT, WASHER BASED	1	
8	6U1-45970-00-00	PROP (3X15-1/4"X19"-V)	1	UR
8	6U1-45976-00-00	PROP (3X14-1/2"X25"-V)	1	UR
8	6U1-45974-00-00	PROP (3X14-1/2"X23"-V)	1	UR
8	6U1-45972-00-00	PROP (3X14-7/8"X21"-V)	1	UR
9	6U1-45974-10-00	PROP (3X14-2/2"X23"-VL)	1	UR
9	6U1-45972-10-00	PROP (3X14-7/8"X21"-VL)	1	UR
9	6U1-45970-10-00	PROP (3X15-1/4"X19"-VL)	1	UR
9	6U1-45976-10-00	PROP (3X14-1/2"X25"-VL)	1	UR

## Part Notes

V8\_7.4\_INTERMEDIATE 1992 / LOWER - DRIVE 2

PART NUMBER		NOTE TEXT
91490-40030-00		OEM: This part number is among the Top 100 Most Popular Marine Maintenance Parts as of February 2013.



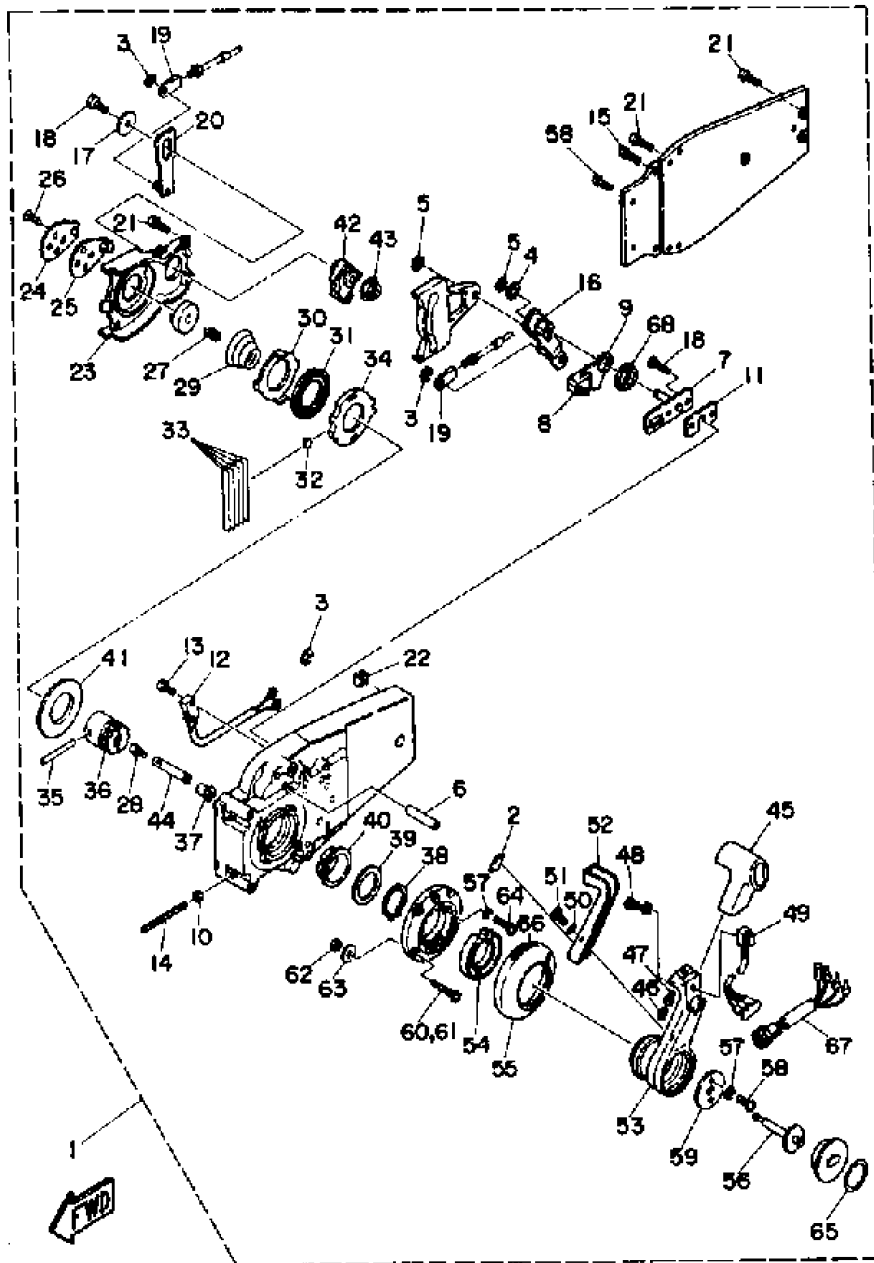
## Part List

V8\_7.4\_INTERMEDIATE 1992 / REMOTE CONTROL CABLES

REF - NO	PART NUMBER	PART NAME	QUANTITY	REMARKS
1	6XE-48250-10-00	REMOTE CONTROL ASSY	1	UR SINGLE TOP MOUNT TYPE
2	6XE-48280-10-00	REMOTE CONTROL ASSY	1	UR TWIN TOP MOUNT TYPE
3	6XF-48250-11-00	REMOTE CONTROL ASSY (6XF-48250-10-00)	1	UR CONCEALED SIDE MOUNT TYPE
4	ABA-CABLE-09-GY	REMOTE CONTROL CABLES (9')	1	UR
4	ABA-CABLE-10-GY	REMOTE CONTROL CABLES (10')	1	UR
4	ABA-CABLE-11-GY	REMOTE CONTROL CABLES (11')	1	UR
4	ABA-CABLE-12-GY	REMOTE CONTROL CABLES (12')	1	UR
4	ABA-CABLE-13-GY	REMOTE CONTROL CABLES (13')	1	UR
4	ABA-CABLE-14-GY	REMOTE CONTROL CABLES (14')	1	UR
4	ABA-CABLE-15-GY	REMOTE CONTROL CABLES (15')	1	UR
4	ABA-CABLE-16-GY	REMOTE CONTROL CABLES (16')	1	UR
4	ABA-CABLE-17-GY	REMOTE CONTROL CABLES (17')	1	UR
4	ABA-CABLE-18-GY	REMOTE CONTROL CABLES (18')	1	UR
4	ABA-CABLE-19-GY	REMOTE CONTROL CABLES (19')	1	UR
4	ABA-CABLE-20-GY	REMOTE CONTROL CABLES (20')	1	UR
4	ABA-CABLE-50-GY	REMOTE CONTROL CABLES - 50 FT.	1	UR
4	ABA-CABLE-24-GY	REMOTE CONTROL CABLES (24')	1	UR
4	ABA-CABLE-26-GY	REMOTE CONTROL CABLES (26')	1	UR
4	ABA-CABLE-28-GY	REMOTE CONTROL CABLES (28')	1	UR
4	ABA-CABLE-30-GY	REMOTE CONTROL CABLES (30')	1	UR
4	ABA-CABLE-32-GY	REMOTE CONTROL CABLES (32')	1	UR
4	ABA-CABLE-34-GY	REMOTE CONTROL CABLES (34')	1	UR
4	ABA-CABLE-36-GY	REMOTE CONTROL CABLES (36')	1	UR
4	ABA-CABLE-21-GY	REMOTE CONTROL CABLES - 21FT.	1	UR
4	ABA-CABLE-23-GY	REMOTE CONTROL CABLES - 23FT.	1	UR
4	ABA-CABLE-25-GY	REMOTE CONTROL CABLES - 25FT.	1	UR
4	ABA-CABLE-27-GY	REMOTE CONTROL CABLES - 27 FT.	1	UR
4	ABA-CABLE-29-GY	REMOTE CONTROL CABLES - 29FT.	1	UR
4	ABA-CABLE-38-GY	REMOTE CONTROL CABLES - 38 FT.	1	UR
4	ABA-CABLE-40-GY	REMOTE CONTROL CABLES - 40 FT.	1	UR
4	ABA-CABLE-42-GY	REMOTE CONTROL CABLES - 42 FT.	1	UR
4	ABA-CABLE-44-GY	REMOTE CONTROL CABLES - 44 FT.	1	UR

4	ABA-CABLE-46-GY	REMOTE CONTROL CABLES - 46 FT.	1	UR
4	ABA-CABLE-48-GY	REMOTE CONTROL CABLES - 48 FT.	1	UR
4	ABA-CABLE-08-GY	REMOTE CONTROL CABLES (8')	1	UR
4	ABA-CABLE-07-GY	REMOTE CONTROL CABLES (7')	1	UR
4	ABA-CABLE-06-GY	REMOTE CONTROL CABLES (6')	1	UR
4	ABA-CABLE-22-GY	REMOTE CONTROL CABLES (22')	1	UR





## Part List


V8\_7.4\_INTERMEDIATE 1992 / REMOTE CONTROL COMPONENT PARTS 1

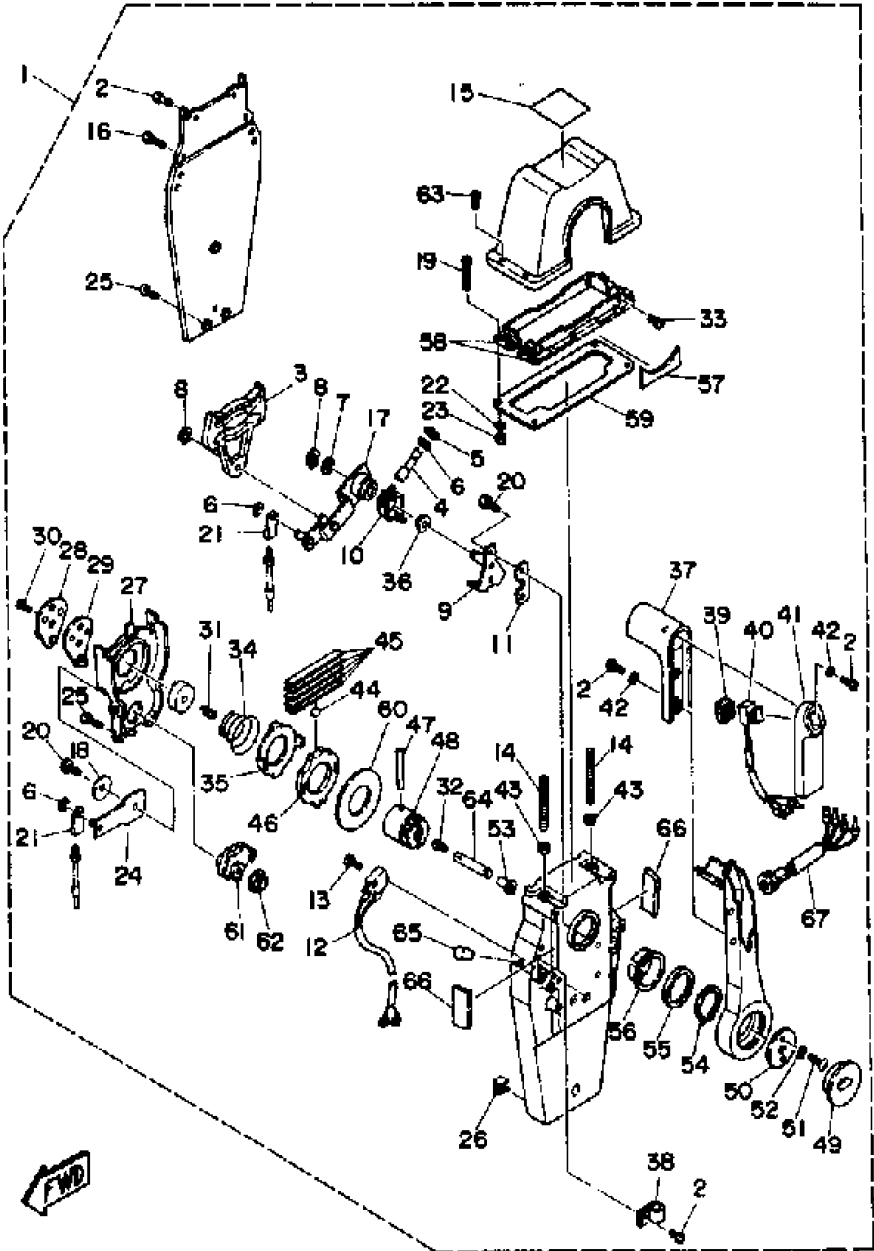
REF - NO	PART NUMBER	PART NAME	QUANTITY	REMARKS
1	6XF-48250-11-00	REMOTE CONTROL ASSY (6XF-48250-10-00)	1	
2	6X0-48138-00-00	.CAP, LOCK ARM	1	
3	93430-06024-00	.CIRCLIP	3	
4	92990-10600-00	.WASHER, PLATE	1	
5	EL8-48259-00-00	.CIRCLIP 1	2	
6	6X0-48265-00-00	.SHAFT, FRICTION	1	
7	6X0-48262-00-00	.SHAFT, THROTTLE	1	
8	6X0-48264-00-00	.THROTTLE, FRICTION	1	
9	6X0-48187-00-00	.PLATE, ADJUST	1	
10	95380-06600-00	.NUT, HEXAGON	2	
11	704-48266-00-00	.SPACER	1	
12	6XF-82540-00-00	.NEUTRAL SWITCH ASSEMBLY	1	
13	98580-03015-00	.SCREW, PAN HEAD	2	
14	6XF-48281-00-00	.SCREW 1	2	
15	98580-05525-00	.SCREW, PAN HEAD	2	
16	6X0-48261-00-00	.ARM, THROTTLE	1	
17	EL8-48191-00-00	.WASHER 1	1	
18	97080-06018-00	.BOLT	3	
19	703-48345-01-00	.CABLE END, REMOTE CONTROL 2	2	
20	EL8-48271-00-00	.ARM, SHIFT	1	
21	EL8-48127-00-00	.SCREW 1	11	
22	703-48358-00-00	.ANCHOR, CABLE	1	
23	EL8-48231-00-00	.HOUSING, GEAR	1	
24	EL8-48241-00-00	.ARM, DRIVE	1	
25	EL8-48254-00-00	.STOPPER, THROTTLE ADJUSTING	1	
26	98780-06020-00	.SCREW, FLAT HEAD	2	
27	EL8-48158-00-00	.SPRING 1	1	
28	98580-04006-00	.SCREW, PAN HEAD	1	
29	EL8-48244-00-00	.SPRING, FREE ACCEL	1	
30	EL8-48245-00-00	.PLATE, LOCK	1	
31	704-48178-00-00	.PLATE, SHIFT	1	
32	701-48248-00-00	.ROLLER, FREE ACCEL	1	
33	704-48238-00-00	.SPRING, DETENT	5	
34	6X0-48121-00-00	.GEAR 1	1	
35	EL8-48164-00-00	.PIN 2	1	
36	EL8-48242-10-00	.SHAFT, DRIVE	1	
37	702-48263-00-00	.BUSHING	1	
38	EL8-48279-00-00	.CIRCLIP 2	1	
39	704-48193-00-00	.WASHER 3	1	
40	EL8-48234-00-00	.BUSHING 1	1	
41	703-48192-00-00	.WASHER 2	1	
42	EL8-48233-00-00	.GEAR 2	1	
43	703-48235-00-00	.BUSHING	1	
44	6X0-48153-00-00	.SHAFT, FREE ACCEL	1	
45	6X0-48222-00-00	.GRIP, CONTROL LEVER	1	
46	703-48227-00-00	.SPRING, NEUTRAL LOCK	1	
47	98580-05008-00	.SCREW, PAN HEAD	1	
48	98580-04010-00	.SCREW, PAN HEAD	1	
49	6XE-82563-00-00	.TRIM & TILT SWITCH ASSY	1	
50	6X0-48288-00-00	.WASHER, PLAIN	1	

51	6X0-48127-00-00	.SCREW 1	1
52	6X0-48223-00-00	.LOCK, NEUTRAL	1
53	6X0-48221-00-00	.LEVER, CONTROL	1
54	6X0-48245-00-00	.PLATE, LOCK	1
55	704-48225-00-00	.COVER	1
56	6X0-48155-00-00	.PLUNGER	1
57	92990-05300-00	.WASHER, INTERNAL TOOTH	6
58	6X0-48281-00-00	.SCREW	4
59	6X0-48193-00-00	.WASHER 3	1
60	97890-06035-00	.SCREW, PAN HEAD	3
61	6X0-48128-00-00	.SCREW(M6X30)	3
62	6X0-48156-00-00	.NUT 1	3
63	701-48287-00-00	.WASHER	3
64	6X0-48129-00-00	.SCEW 3	4
65	6XF-48215-00-00	.GRAPHIC	1
66	6E0-44191-11-00	.INDICATOR, SHIFT	1
67	6XF-82541-00-00	.WIRE, LEAD	1
68	6X0-48116-00-00	.BUSHING	1

## Part Notes

V8\_7.4\_INTERMEDIATE 1992 / REMOTE CONTROL COMPONENT PARTS 1

PART NUMBER		NOTE TEXT
92990-10600-00		OEM: This part number is among the Top 100 Most Popular Marine Maintenance Parts as of February 2013.



## Part List


V8\_7.4\_INTERMEDIATE 1992 / REMOTE CONTROL COMPONENT PARTS 2

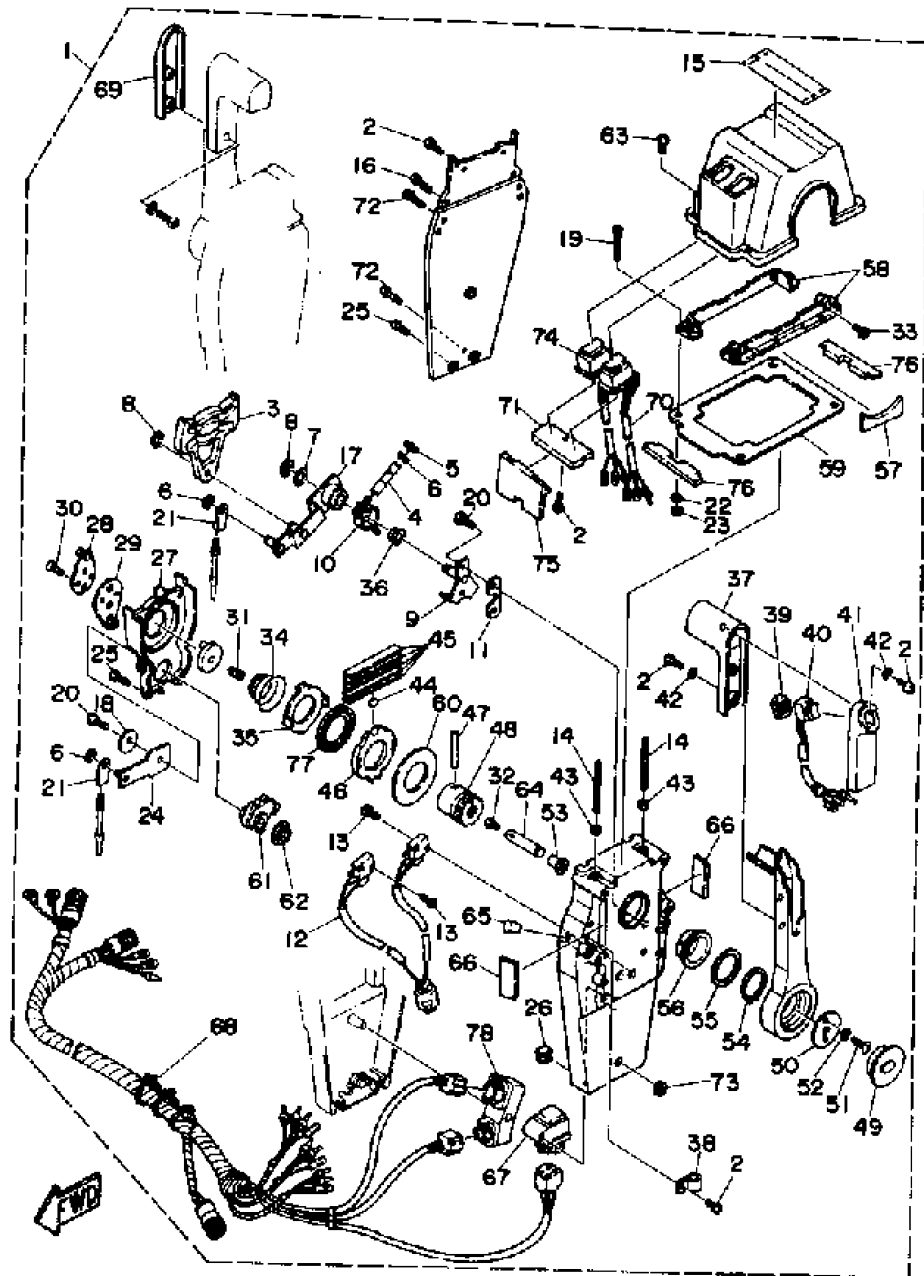
REF - NO	PART NUMBER	PART NAME	QUANTITY	REMARKS
1	6XE-48250-11-00	REMOTE CONTROL ASSY	1	SINGLE MOUNT TYPE
2	98580-05016-00	.SCREW, PAN HEAD	6	
3	6XE-48251-00-00	.PLATE, CAM	1	
4	704-48265-00-00	.SHAFT, FRICTION	1	
5	701-48246-00-00	.SPACER	1	
6	93430-06024-00	.CIRCLIP	3	
7	92990-10600-00	.WASHER, PLATE	1	
8	EL8-48259-00-00	.CIRCLIP 1	2	
9	704-48262-00-00	.SHAFT, THROTTLE	1	
10	704-48264-00-00	.THROTTLE, FRICTION	1	
11	704-48266-00-00	.SPACER	1	
12	6XE-82540-00-00	.NEUTRAL SWITCH ASSEMBLY	1	
13	98580-03015-00	.SCREW, PAN HEAD	2	
14	6XE-48281-00-00	.SCREW	2	
15	6XE-48215-00-00	.GRAPHIC	1	
16	98580-05525-00	.SCREW, PAN HEAD	2	
17	704-48261-00-00	.ARM, THROTTLE	1	
18	EL8-48191-00-00	.WASHER 1	1	
19	98580-05540-00	.SCREW, PAN HEAD	4	
20	97395-06018-00	.BOLT	3	
21	703-48345-01-00	.CABLE END, REMOTE CONTROL 2	2	
22	704-48287-00-00	.WASHER	4	
23	95380-05600-00	.NUT	4	
24	EL8-48271-00-00	.ARM, SHIFT	1	
25	EL8-48127-00-00	.SCREW 1	9	
26	703-48358-00-00	.ANCHOR, CABLE	1	
27	EL8-48231-00-00	.HOUSING, GEAR	1	
28	EL8-48241-00-00	.ARM, DRIVE	1	
29	EL8-48254-00-00	.STOPPER, THROTTLE ADJUSTING	1	
30	98780-06020-00	.SCREW, FLAT HEAD	2	
31	EL8-48158-00-00	.SPRING 1	1	
32	98580-04006-00	.SCREW, PAN HEAD	1	
33	98780-05018-00	.SCREW, FLAT HEAD	4	
34	EL8-48244-00-00	.SPRING, FREE ACCEL	1	
35	EL8-48245-00-00	.PLATE, LOCK	1	
36	703-48263-00-00	.BUSHING	1	
37	704-48222-00-00	.GRIP, CONTROL LEVER	1	
38	704-82594-00-00	.CLAMP	1	
39	6XE-48228-00-00	.HOLDER, SWITCH	1	
40	6XE-82563-00-00	.TRIM & TILT SWITCH ASSY	1	
41	704-48229-00-00	.GRIP, CONTROL LEVER	1	
42	92990-05300-00	.WASHER, INTERNAL TOOTH	3	
43	95380-06600-00	.NUT, HEXAGON	2	
44	701-48248-00-00	.ROLLER, FREE ACCEL	1	
45	703-48238-00-00	.SPRING, DETENT	5	
46	EL8-48232-00-00	.GEAR 1	1	
47	EL8-48164-00-00	.PIN 2	1	
48	6XE-48242-00-00	.SHAFT, DRIVE	1	
49	704-48225-00-00	.COVER	1	
50	704-48192-00-00	.WASHER 2	1	

51	97890-06018-00	.SCREW, PAN HEAD	2	
52	92990-06300-00	.WASHER, INTERNAL TOOTH	2	
53	702-48263-00-00	.BUSHING	1	
54	EL8-48279-00-00	.CIRCLIP 2	1	
55	704-48193-00-00	.WASHER 3	1	
56	EL8-48234-00-00	.BUSHING 1	1	
57	704-48219-00-00	.COVER, LEAD	1	
58	704-48144-00-00	.PLATE, STOPPER 2	2	
59	704-48176-00-00	.GROMMET	1	
60	703-48192-00-00	.WASHER 2	1	
61	EL8-48233-00-00	.GEAR 2	1	
62	703-48235-00-00	.BUSHING	1	
63	704-48282-00-00	.SCREW	4	
64	EL8-48153-10-00	.SHAFT, FREE ACCEL	1	
65	704-48166-00-00	.PLUG	1	
66	704-48284-00-00	.GROMMET	2	
67	6XE-82541-00-00	.WIRE, LEAD	1	

## Part Notes

V8\_7.4\_INTERMEDIATE 1992 / REMOTE CONTROL COMPONENT PARTS 2

PART NUMBER		NOTE TEXT
92990-10600-00		OEM: This part number is among the Top 100 Most Popular Marine Maintenance Parts as of February 2013.



## Part List

V8\_7.4\_INTERMEDIATE 1992 / REMOTE CONTROL COMPONENT PARTS 3


REF - NO	PART NUMBER	PART NAME	QUANTITY	REMARKS
1	6XE-48280-10-00	REMOTE CONTROL ASSY	1	TWIN FOR TOP MOUNT TYPE
2	98580-05016-00	.SCREW, PAN HEAD	12	
3	6XE-48251-00-00	.PLATE, CAM	2	
4	704-48265-00-00	.SHAFT, FRICTION	2	
5	701-48246-00-00	.SPACER	2	
6	93430-06024-00	.CIRCLIP	6	
7	92990-10600-00	.WASHER, PLATE	2	
8	EL8-48259-00-00	.CIRCLIP 1	4	
9	704-48262-00-00	.SHAFT, THROTTLE	2	
10	704-48264-00-00	.THROTTLE, FRICTION	2	
11	704-48266-00-00	.SPACER	2	
12	6XE-82540-10-00	.NEUTRAL SWITCH ASSY	1	
13	98580-03015-00	.SCREW, PAN HEAD	4	
14	6XE-48281-00-00	.SCREW	4	
15	6XE-48215-10-00	.GRAPHIC	1	
16	98580-05525-00	.SCREW, PAN HEAD	4	
17	704-48261-00-00	.ARM, THROTTLE	2	
18	EL8-48191-00-00	.WASHER 1	2	
19	98580-05540-00	.SCREW, PAN HEAD	4	
20	97395-06018-00	.BOLT	6	
21	703-48345-01-00	.CABLE END, REMOTE CONTROL 2	4	
22	704-48287-00-00	.WASHER	4	
23	95380-05600-00	.NUT	4	
24	EL8-48271-00-00	.ARM, SHIFT	2	
25	EL8-48127-00-00	.SCREW 1	16	
26	703-48358-00-00	.ANCHOR, CABLE	2	
27	EL8-48231-00-00	.HOUSING, GEAR	2	
28	EL8-48241-00-00	.ARM, DRIVE	2	
29	EL8-48254-00-00	.STOPPER, THROTTLE ADJUSTING	2	
30	98780-06020-00	.SCREW, FLAT HEAD	4	
31	EL8-48158-00-00	.SPRING 1	2	
32	98580-04006-00	.SCREW, PAN HEAD	2	
33	98780-05018-00	.SCREW, FLAT HEAD	4	
34	EL8-48244-00-00	.SPRING, FREE ACCEL	2	
35	EL8-48245-00-00	.PLATE, LOCK	2	
36	703-48263-00-00	.BUSHING	2	
37	704-48222-00-00	.GRIP, CONTROL LEVER	2	
38	704-82594-00-00	.CLAMP	2	
39	6XE-48228-00-00	.HOLDER, SWITCH	1	
40	6XE-82563-10-00	.TRIM & TILT SWITCH	1	
41	704-48229-00-00	.GRIP, CONTROL LEVER	1	
42	92990-05300-00	.WASHER, INTERNAL TOOTH	6	
43	95380-06600-00	.NUT, HEXAGON	4	
44	701-48248-00-00	.ROLLER, FREE ACCEL	2	
45	703-48238-00-00	.SPRING, DETENT	10	
46	EL8-48232-00-00	.GEAR 1	2	
47	EL8-48164-00-00	.PIN 2	2	
48	6XE-48242-00-00	.SHAFT, DRIVE	2	
49	704-48225-00-00	.COVER	2	
50	704-48192-00-00	.WASHER 2	2	
51	97890-06018-00	.SCREW, PAN HEAD	4	

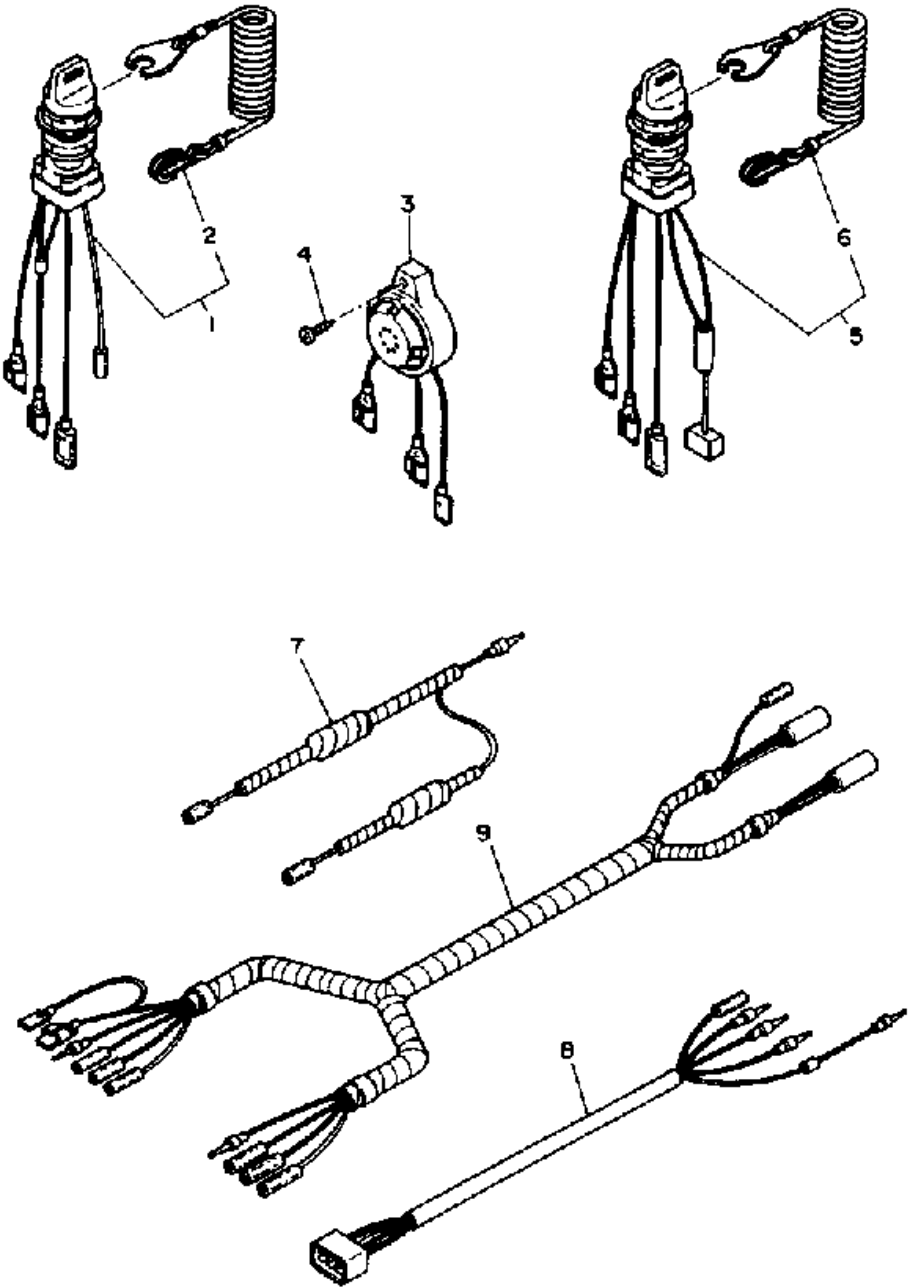


52	92990-06300-00	.WASHER, INTERNAL TOOTH	4	
53	702-48263-00-00	.BUSHING	2	
54	EL8-48279-00-00	.CIRCLIP 2	2	
55	704-48193-00-00	.WASHER 3	2	
56	EL8-48234-00-00	.BUSHING 1	2	
57	704-48219-00-00	.COVER, LEAD	2	
58	704-48144-00-00	.PLATE, STOPPER 2	2	
59	704-48176-00-00	.GROMMET	1	
60	703-48192-00-00	.WASHER 2	2	
61	EL8-48233-00-00	.GEAR 2	2	
62	703-48235-00-00	.BUSHING	2	
63	704-48282-00-00	.SCREW	4	
64	EL8-48153-10-00	.SHAFT, FREE ACCEL	2	
65	704-48166-00-00	.PLUG	2	
66	704-48284-00-00	.GROMMET	4	
67	6XE-81950-00-00	.RELAY ASSEMBLY	1	
68	6XE-82590-00-00	.WIRE HARNESS ASSEMBLY	1	
69	704-48229-10-00	.GRIP, CONTROL LEVER	1	
70	6XE-82563-10-00	.TRIM & TILT SWITCH	1	
71	704-48228-10-00	.HOLDER, SWITCH	1	
72	98580-05555-00	.SCREW, PAN HEAD	3	
73	704-48156-00-00	.NUT 1	1	
74	6XE-82563-20-00	.TRIM & TILT SWITCH ASSY	1	
75	704-48285-00-00	.GROMMET 2	1	
76	704-48286-00-00	.GROMMET 3	2	
77	704-48178-00-00	.PLATE, SHIFT	2	
78	704-81950-00-00	.RELAY ASSY	1	

## Part Notes

V8\_7.4\_INTERMEDIATE 1992 / REMOTE CONTROL COMPONENT PARTS 3

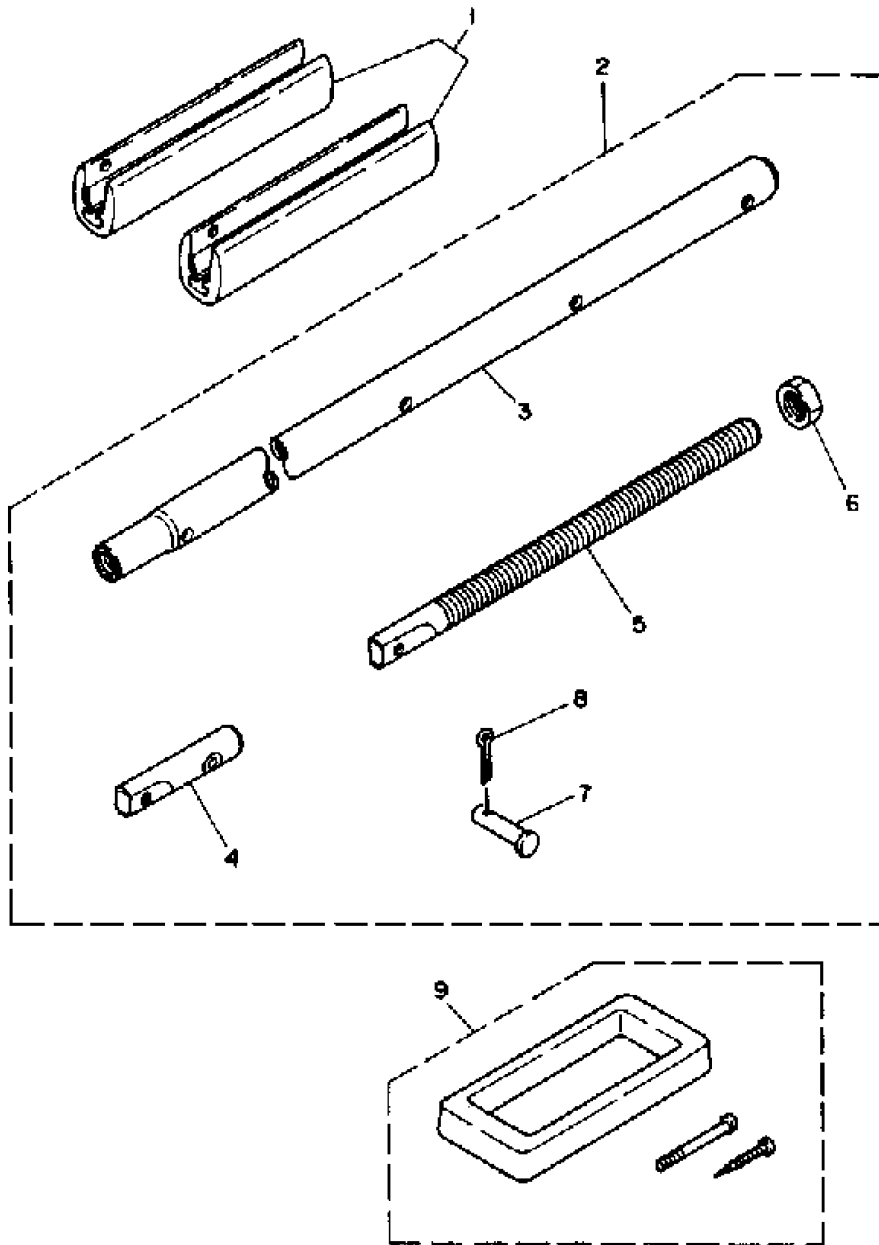
PART NUMBER		NOTE TEXT
92990-10600-00		OEM: This part number is among the Top 100 Most Popular Marine Maintenance Parts as of February 2013.



## Part List

V8\_7.4\_INTERMEDIATE 1992 / OPTIONAL PARTS MAIN SWITCH - RIGGING ACCESSORIES

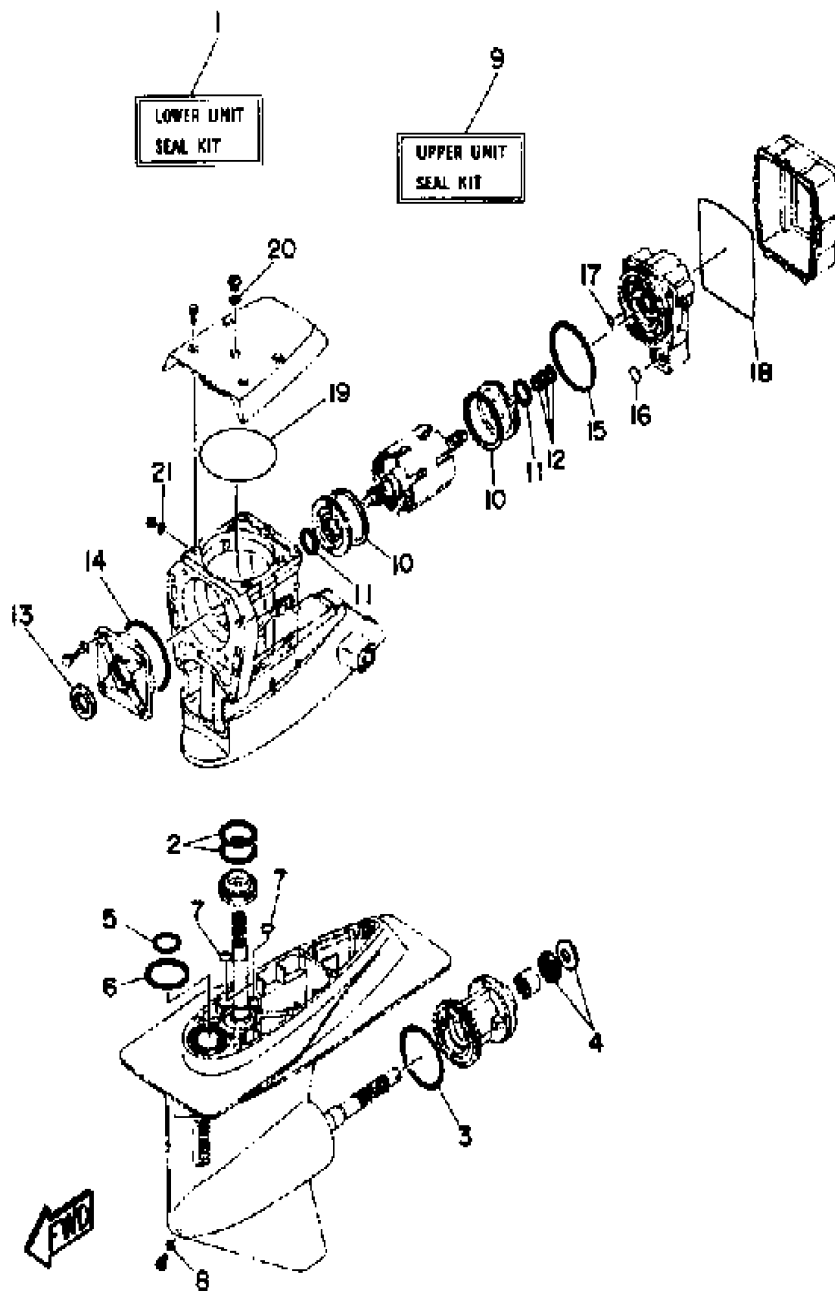
REF - NO	PART NUMBER	PART NAME	QUANTITY	REMARKS
1	6YE-82510-20-00	MAIN SWITCH ASSEMBLY	1	
2	6YE-82556-00-00	.STOP LANYARD	1	
3	6YE-83383-00-00	BUZZER	1	AP
4	97780-50125-00	SCREW, TAPPING	1	AP
5	6YE-82510-00-00	MAIN SWITCH ASSEMBLY	1	AP FOR TWIN
6	6YE-82556-00-00	.STOP LANYARD	1	AP
7	6YE-81315-10-00	LEAD WIRE ASSEMBLY	1	AP FOR TWIN
8	6YE-82586-10-AA	EXT, WIRE HARNESS (6YE-82586-00-00)	1	AP L:12F
8	6YE-82586-10-AA	EXT, WIRE HARNESS (6YE-82586-00-00)	1	AP L:15F
8	6YE-82586-20-AA	EXT, WIRE HARNESS (6YE-82586-20-00)	1	AP L:20F
8	6YE-82586-30-AA	EXT, WIRE HARNESS (6YE-82586-30-00)	1	AP L:25F
8	6YE-82586-40-AA	EXT, WIRE HARNESS (6YE-82586-40-00)	1	AP L:30F
9	6YE-82521-00-AA	WIRE, LEAD (6YE-82521-00-00)	1	AP



# Part List

V8\_7.4\_INTERMEDIATE 1992 / OPTIONAL PARTS TWIN KIT COMPONENT PARTS

REF - NO	PART NUMBER	PART NAME	QUANTITY	REMARKS
1	6T4-W4584-00-AA	TRAILER LOCK SET (6T4-W4584-00-00)	1	
2	6T4-61301-00-AA	TWIN KIT (6T4-61301-00-00)	1	
3	6T4-61313-00-00	.ADJUSTER	1	
4	6T4-61311-00-00	.TIE BAR	1	
5	6T4-61315-00-00	.TIE BAR	1	
6	95313-18700-00	.NUT	1	
7	90240-09M13-00	.PIN, CLEVIS	1	
8	91490-25020-00	.PIN COTTER	1	
9	704-48293-00-00	SPACER, REMOTE CONTROL	1	UR SINGLE
9	704-48293-10-00	SPACER, REMOTE CONTROL	1	UR TWIN





## Part List

V8\_7.4\_INTERMEDIATE 1992 / REPAIR KIT

REF - NO	PART NUMBER	PART NAME	QUANTITY	REMARKS
1	6U1-W0001-20-00	LOWER UNIT SEAL KT	1	
2	93210-57MF6-00	.O-RING	2	
3	93210-99103-00	.O-RING	1	
4	93102-30M29-00	.OIL SEAL	2	
5	93210-48MF7-00	.O-RING	1	
6	93210-76MF8-00	.O-RING	1	
7	93210-17MF9-00	.O-RING	2	
8	90430-08020-00	.GASKET	1	
9	6U1-W0001-30-00	UPPER UNIT SEAL KT	1	
10	713-16393-A0-00	.RING, SQUARE 1	2	
11	6U1-16394-00-00	.RING, SQUARE 2	2	
12	713-18219-A0-00	.RING, OIL SEAL	3	
13	93102-38M39-00	.OIL SEAL	1	
14	93211-09MF2-00	.O-RING	1	
15	93211-09MF2-00	.O-RING	1	
16	93210-27666-00	.O-RING	1	
17	93210-08006-00	.O-RING	1	
18	6U1-45114-00-00	.GASKET, UPPER CASING	1	
19	93211-28MF5-00	.O-RING	1	
20	90430-13M04-00	.GASKET	1	
21	90430-08020-00	.GASKET	1	

## Part Notes

V8\_7.4\_INTERMEDIATE 1992 / REPAIR KIT

PART NUMBER	NOTE TEXT
90430-08020-00 	OEM: This part number is among the Top 100 Most Popular Marine Maintenance Parts as of February 2013.
90430-08020-00 	OEM: This part number is among the Top 100 Most Popular Marine Maintenance Parts as of February 2013.