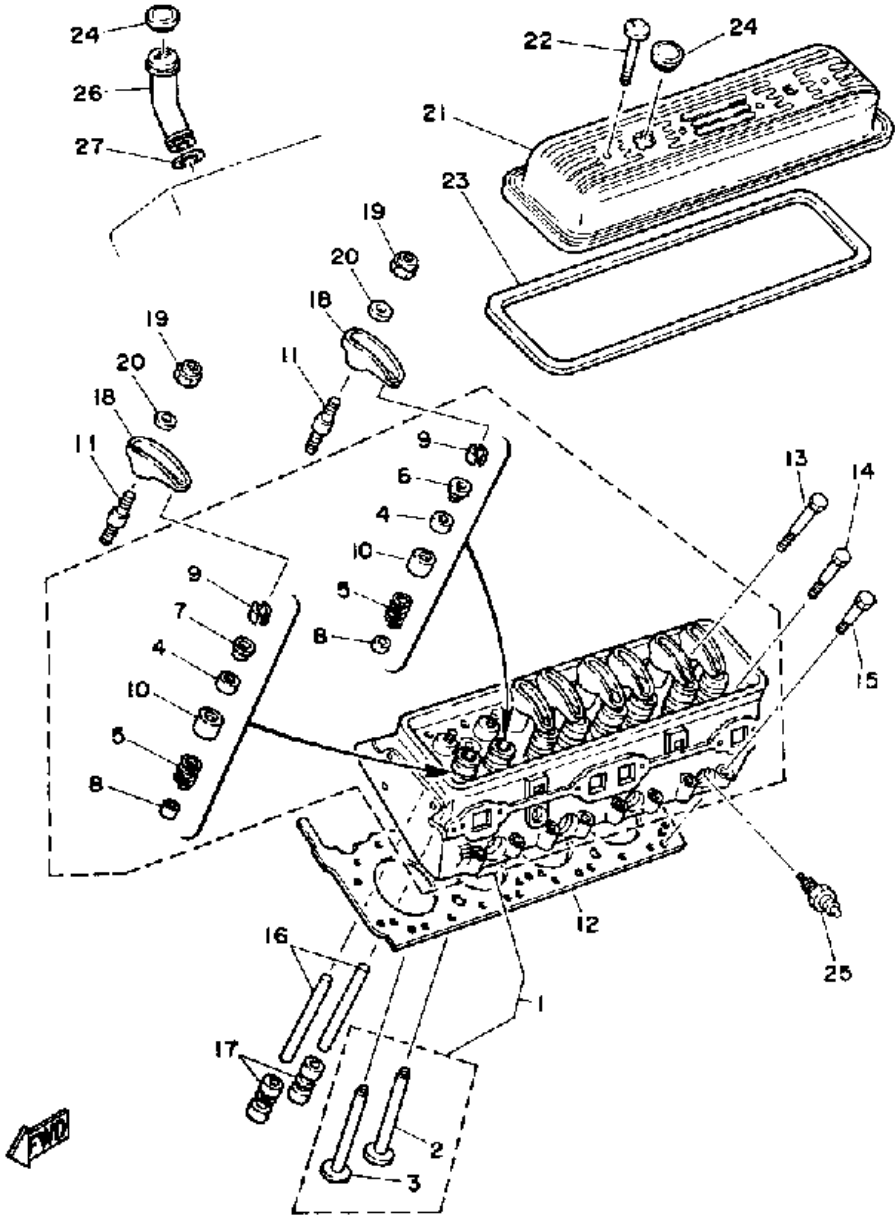


Part List

V8_5.7_ENGINE_YEMS 1989 / CYLINDER - CAMSHAFT

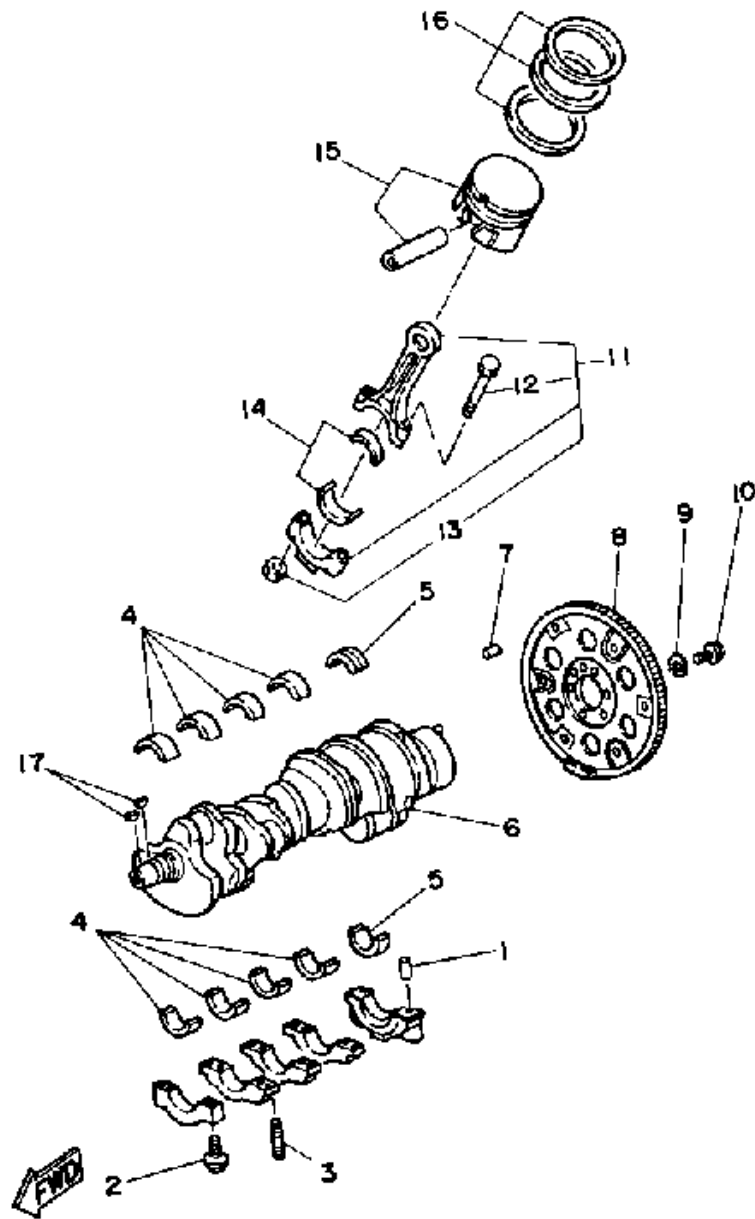
REF - NO	PART NUMBER	PART NAME	QUANTITY	REMARKS
1	YSG-10054-58-6G	CYLINDER & CASE ASSY	1	
2	YSG-38265-04-G0	PLUG, WATER JACKET	8	
3	YSG-44477-6G-00	PLUG	3	
3	YSG-14091-56-3G	PLUG	1	LOCATED LOWER BEARING CAP
3	YSG-14091-56-3G	PLUG	3	OPPOSITE OF REF. #3
4	YSG-47400-5G-00	BEARING, CAMSHAFT (#1)	1	
5	YSG-47400-6G-00	BEARING, CAMSHAFT (#2 & RR)	2	
6	YSG-47400-7G-00	BEARING, CAMSHAFT (#3 & 4)	2	
7	YSG-58592-7G-00	PIN	4	
8	YSG-14536-58-G0	PIN	2	
9	YSG-34028-4G-00	CAMSHAFT ASSEMBLY	1	
10	YSG-38369-03-G0	PIN	1	
11	YSG-14088-78-5G	SPROCKET, CAMSHAFT	1	
12	YSG-14088-78-4G	SPROCKET, CRANKSHAFT	1	
13	YSG-44389-9G-00	BOLT	3	
14	YSG-38345-60-G0	WASHER	3	
15	YSG-14088-78-3G	CHAIN, CAMSHAFT DRIVE	1	
16	YSC-10201-50-0C	DRAIN COCK, EXHAUST MANIFOLD	2	
17	YSC-10221-30-0C	PLUG, CYLINDER CASE OIL TUBE	1	
18	YSC-10230-20-0C	PLUG, HEXAGON (18" NPT BRASS)	1	



Part List

V8_5.7_ENGINE_YEMS 1989 / CYLINDER HEAD - VALVE

REF - NO	PART NUMBER	PART NAME	QUANTITY	REMARKS
1	YSG-10089-62-4G	HEAD ASSY, CYLINDER	2	
2	YSG-14034-07-9G	.VALVE, INTAKE	4	AP .0155 OS
2	YSG-14025-57-3G	.VALVE, INTAKE	4	
3	YSG-33673-3G-00	.EXHAUST VALVE ASSY	4	
3	YSG-33674-3G-00	.EXHAUST VALVE ASSY	4	AP .0155 OS
4	YSG-46048-3G-00	.SEAL	4	
5	YSG-39110-68-G0	.SPRING & DAMPER ASSY	8	
6	YSG-14003-97-4G	.CAP	4	
7	YSG-14042-57-5G	.ROTATOR ASSY, EXHAUST VALVE	4	
8	YSG-38353-33-G0	.SEAL, VALVE STEM OIL	8	
9	YSG-39477-70-G0	.KEY, VALVE STEM	16	
10	YSG-10007-81-8G	.SHIELD, VALVE STEM OIL	8	
11	YSG-38146-92-G0	STUD	8	UR 0.003 OS
11	YSG-38158-92-G0	STUD	8	UR 0.013 OS
12	YSG-14096-40-5G	GASKET, CYLINDER HEAD	2	
13	YSG-14082-31-7G	BOLT	14	
14	YSG-14082-31-6G	BOLT	4	
15	YSG-14082-31-5G	BOLT	16	
16	YSG-14095-25-6G	PUSH ROD ASSEMBLY	16	
17	YSG-52327-20-G0	LIFTER ASSY	16	
18	YSG-10089-64-8G	ARM, VALVE ROCKER	16	
19	YSG-37443-41-G0	NUT, VALVE ROCKER ARM	16	
20	YSG-39591-42-G0	BALL, VALVE ROCKER ARM	16	
21	YSG-14091-63-7G	COVER ASSY, VALVE ROCKER	2	~000819
21	YSG-10055-70-1G	COVER ASSY, VALVE ROCKER	2	000820~
22	YSG-10066-00-8G	BOLT	8	
23	YSG-10046-08-9G	GASKET, VALVE ROCKER COVER	2	
24	YSG-12334-50-6G	CAP ASSY (YSG-25060-17- 6G)	2	~000819
24	YSG-14094-76-4G	CAP, OIL FILL RISER	2	000820~
25	NGK-BR6FS-00-00	SPARK PLUG (NGK BR6FS)	8	
26	YSC-10221-50-0C	ENGINE OIL FILL RISER	1	~000819
26	YSC-10221-51-0C	ENGINE OIL FILL RISER	1	000820~
27	YSC-10221-80-0C	GASKET, OIL FILL RISER	1	~000819
27	YSC-10231-60-0C	O-RING	1	000820~

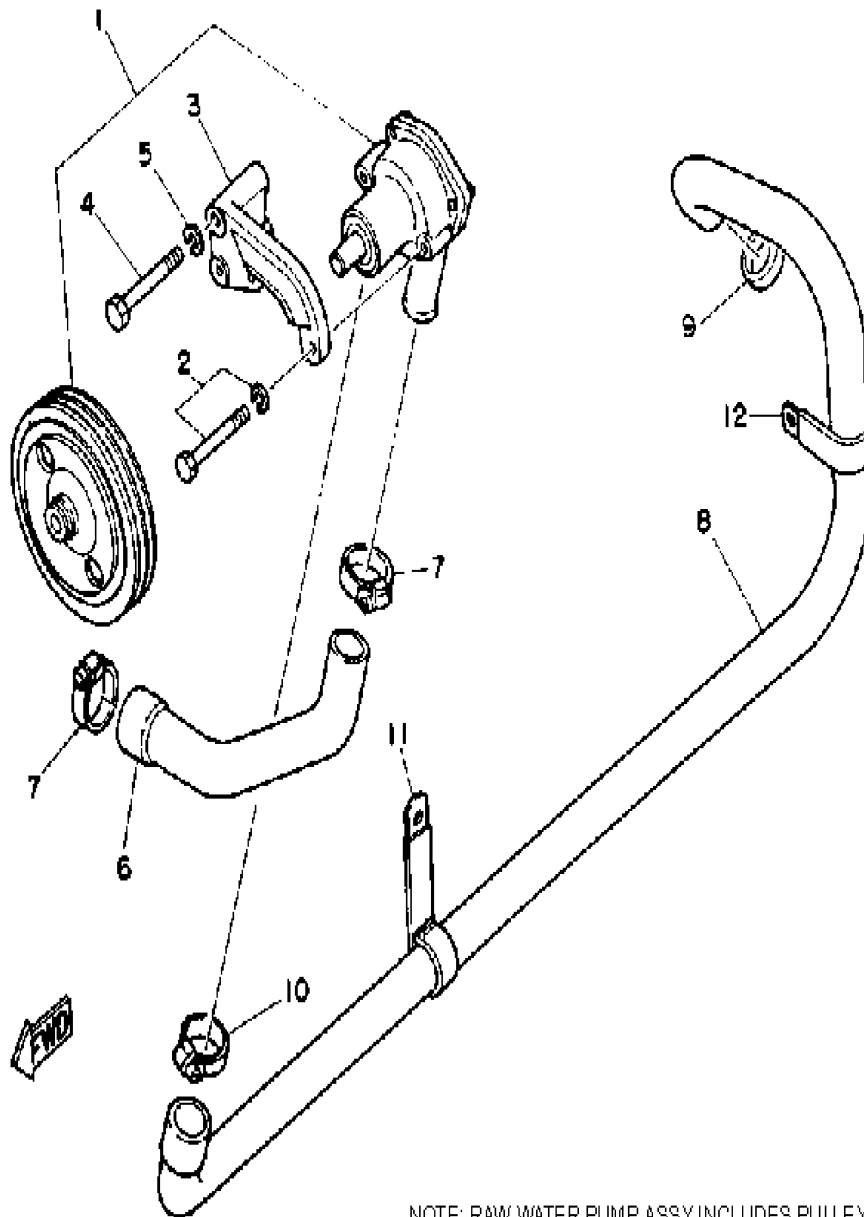


NOTE: EACH BEARING UNIT CONSISTS OF ONE UPPER & ONE LOWER BEARING

Part List

V8_5.7_ENGINE_YEMS 1989 / CRANK - PISTON

REF - NO	PART NUMBER	PART NAME	QUANTITY	REMARKS
1	YSG-38369-03-G0	PIN	2	
2	YSG-39324-80-G0	BOLT, CRANKSHAFT BEARING CAP	5	
3	YSG-14087-50-8G	STUD, CRANKSHAFT BEARING CAP	5	
4	YSG-12329-75-6G	BEARING UNIT-CRANKSHAFT MAIN	4	STD SEE NOTE
4	YSG-12329-75-7G	BEARING UNIT-CRANKSHAFT MAIN	4	AP .001 US SEE NOTE
4	YSG-12329-42-8G	BEARING UNIT-CRANK MAIN, REAR	4	AP .010 US SEE NOTE
4	YSG-12329-42-9G	BEARING UNIT-CRANKSHAFT MAIN	4	AP .020 US SEE NOTE
5	YSG-12329-79-0G	BRG UNITCRANK MAIN, REAR (YSG-12329-79-G)	1	STD SEE NOTE
5	YSG-12329-79-3G	BEARING UNIT-CRANK MAIN, REAR	1	AP .010 US SEE NOTE
5	YSG-12329-79-4G	BEARING UNIT-CRANK MAIN, REAR	1	AP .020 US SEE NOTE
5	YSG-12329-79-1G	BEARING UNIT-CRANK MAIN, REAR	1	AP .001 US SEE NOTE
6	YSG-14088-52-7G	CRANKSHAFT ASSY	1	
7	YSG-37016-79-G0	PIN	1	
8	YSG-14088-65-0G	FLYWHEEL ASSEMBLY	1	
9	YSG-49234-6G-00	WASHER	6	
10	YSG-83975-6G-00	BOLT, FLYWHEEL	6	
11	YSG-14031-31-0G	CONNECTING ROD ASSEMBLY	8	
12	YSG-46137-2G-00	BOLT	2	
13	YSG-22585-4G-00	NUT, CONNECTING ROD	2	
14	YSG-12329-42-7G	BEARING, CONNECTING ROD (YSG-39105-59-G0)	16	AP .020 US SEE NOTE
14	YSG-12329-74-7G	BEARING, CONNECTING ROD (YSG-39105-55-G0)	16	STD SEE NOTE
14	YSG-12329-74-9G	BEARING, CONNECTING ROD (YSG-39105-58-G0)	16	AP .010 US SEE NOTE
14	YSG-39105-56-G0	BEARING, CONNECTING ROD	16	AP .001 US SEE NOTE
14	YSG-139105-57-G0	BEARING, CONNECTING ROD)	16	AP .002 US SEE NOTE
15	YSG-10049-07-5G	PISTON ASSY	8	AP .030 OS
15	YSG-10049-07-3G	PISTON ASSY	8	UR STD
16	YSG-14089-02-5G	PISTON RING	8	STD
16	YSG-14089-02-6G	PISTON RING	8	AP (030 OS
17	YSG-10675-1G-00	KEY	2	

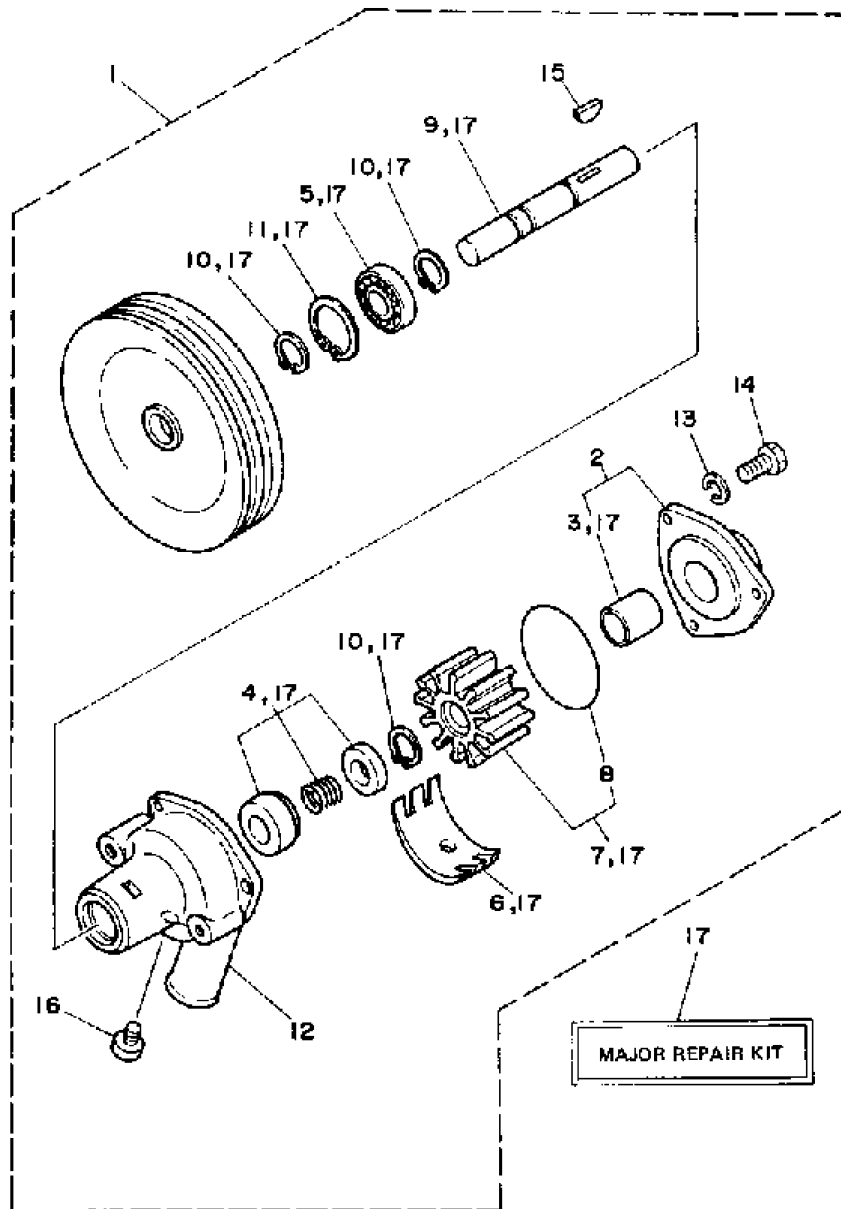


NOTE: RAW WATER PUMP ASSY INCLUDES PULLEY.

Part List

V8_5.7_ENGINE_YEMS 1989 / WATER PUMP

REF - NO	PART NUMBER	PART NAME	QUANTITY	REMARKS
1	YSC-10330-00-0C	PUMP ASSY, RAW WATER	1	INCLUDES PULLEY
2	YSC-90205-15-0C	BOLT HEXAGON (5/16-18X1-1/2")	2	~000610
2	YSC-93200-00-0C	WASHER, LOCK (5/16")	2	~000610
2	YSC-10091-60-0C	BOLT ASSY, HEXAGON (5/16-18X1")	2	000611~
3	YSC-10081-10-0C	BRACKET, RAW WATER PUMP	1	
4	YSC-90308-32-5C	BOLT, HEXAGON (3/8-16X3-1/4")	2	
5	YSC-93300-00-0C	WASHER, LOCK (3/8")	2	
6	YSC-10082-10-0C	HOSE	1	
7	YSC-10091-30-0C	CLAMP (#20)	2	
8	YSC-10082-20-AC	HOSE	1	
9	YSC-10091-20-0C	CLAMP (#16)	1	
10	YSC-10091-30-0C	CLAMP (#20)	1	
11	YSC-10082-50-0C	CLAMP, SUPPORT HOSE (1-7/16")	1	
12	YSC-10091-70-0C	CLAMP, SUPPORT HOSE (1-5/8")	1	

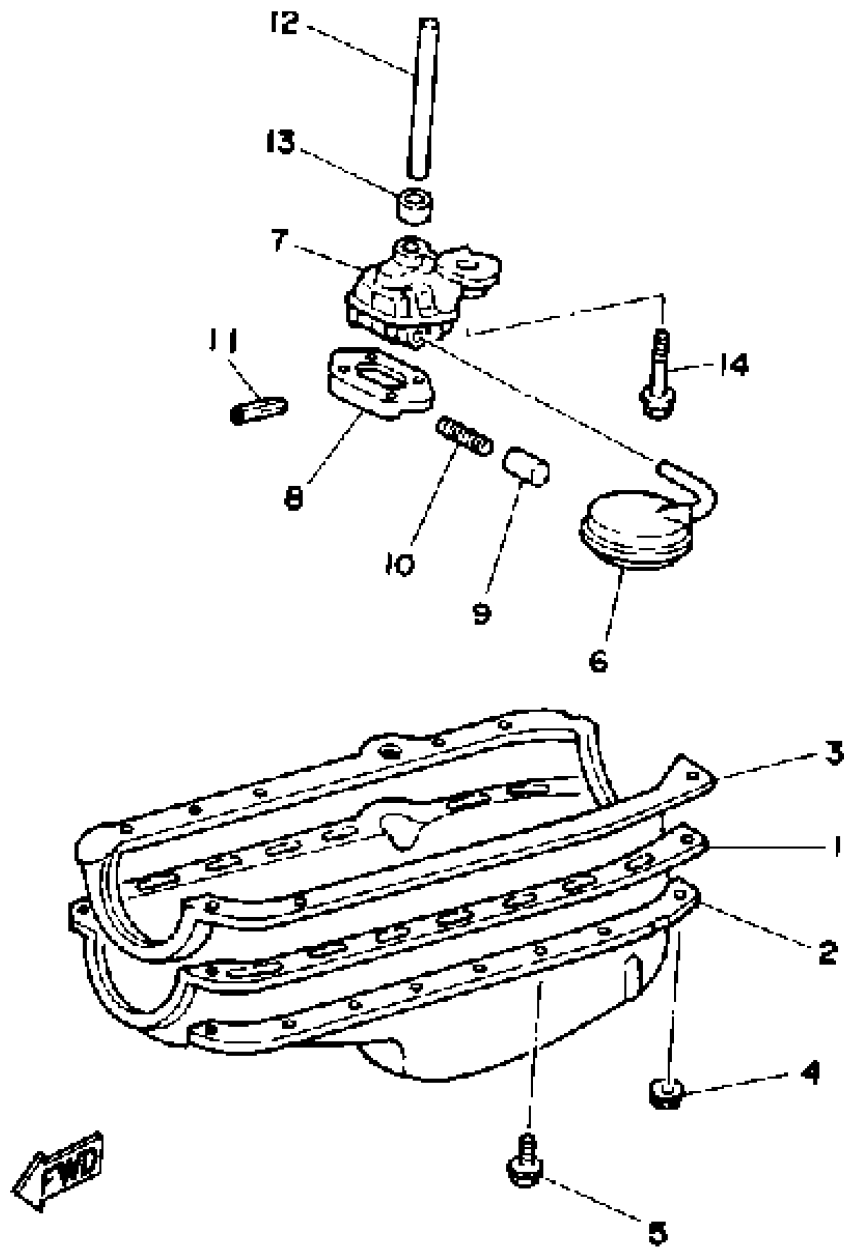


NOTE: THESE PARTS (AND O-RINGS) ARE INCLUDED IN THE MAJOR REPAIR KIT, YSC-101-3-00-0C.

Part List

V8_5.7_ENGINE_YEMS 1989 / RAW WATER PUMP ASSEMBLY

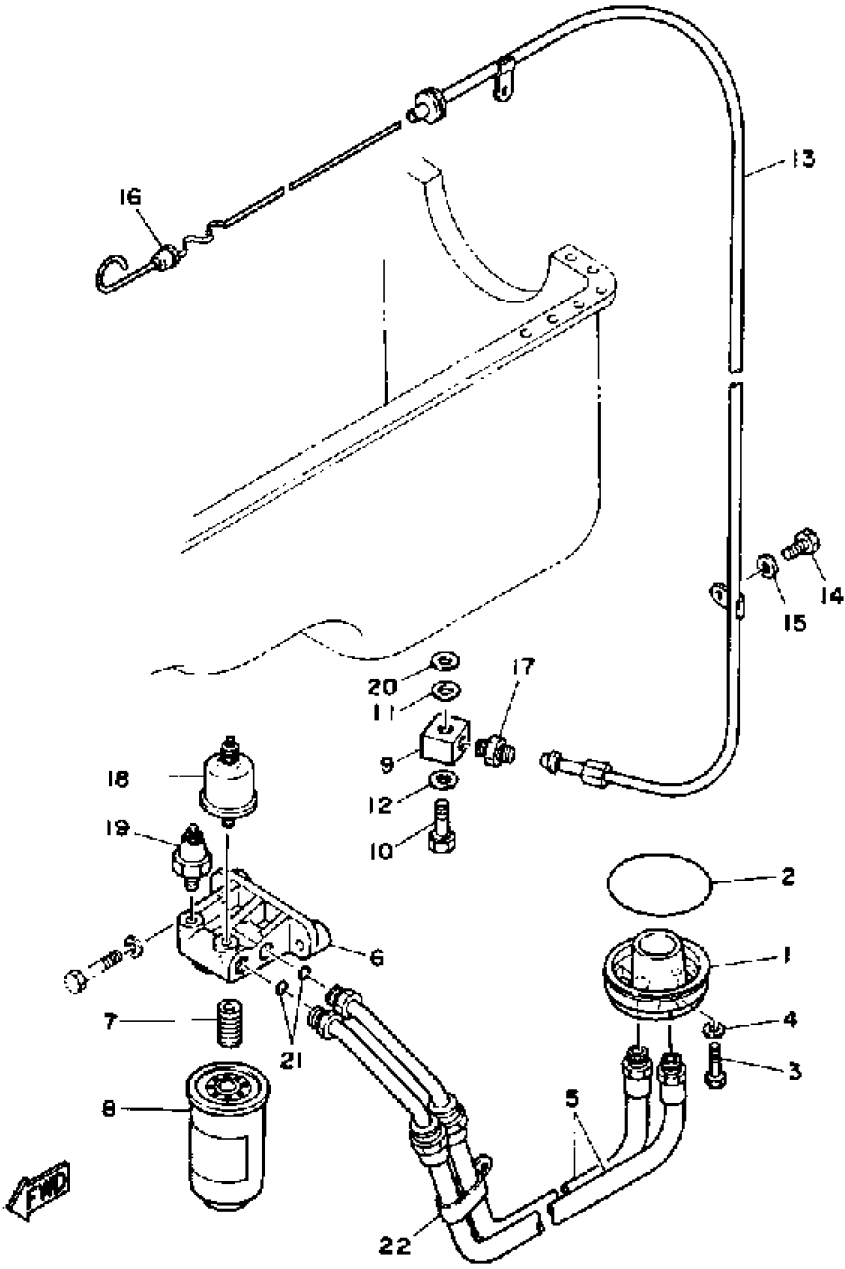
REF - NO	PART NUMBER	PART NAME	QUANTITY	REMARKS
1	YSC-10330-00-0C	PUMP ASSY, RAW WATER	1	
2	YSC-10101-90-0C	.COVER ASSY	1	
3	YSC-10101-30-0C	..BUSHING	1	SEE NOTE
4	YSC-10101-80-0C	.SEAL & SEAT ASSY	1	SEE NOTE
5	YSC-10100-40-0C	.BEARING, BALL	1	SEE NOTE
6	YSC-10101-50-0C	.CAM	1	
7	YSC-10103-10-0C	.IMPELLER KIT	1	SEE NOTE
8	YSC-10100-90-0C	.O-RING	1	
9	YSC-10100-10-0C	.SHAFT	1	SEE NOTE
10	YSC-10100-20-0C	.SNAP RING, EXTERNAL	3	SEE NOTE
11	YSC-10100-30-0C	.SNAP RING, INTERNAL	1	SEE NOTE
12	YSC-10100-80-0C	.HOUSING	1	
13	YSC-10101-10-0C	.WASHER, LOCK	1	
14	YSC-10101-20-0C	.BOLT, CAP	3	
15	YSC-10101-40-0C	.KEY, WOODRUFF	1	
16	YSC-10101-60-0C	.SCREW, CAM	1	
17	YSC-10103-00-0C	MAJOR REPAIR KIT	1	



Part List

V8_5.7_ENGINE_YEMS 1989 / OIL PAN - OIL PUMP

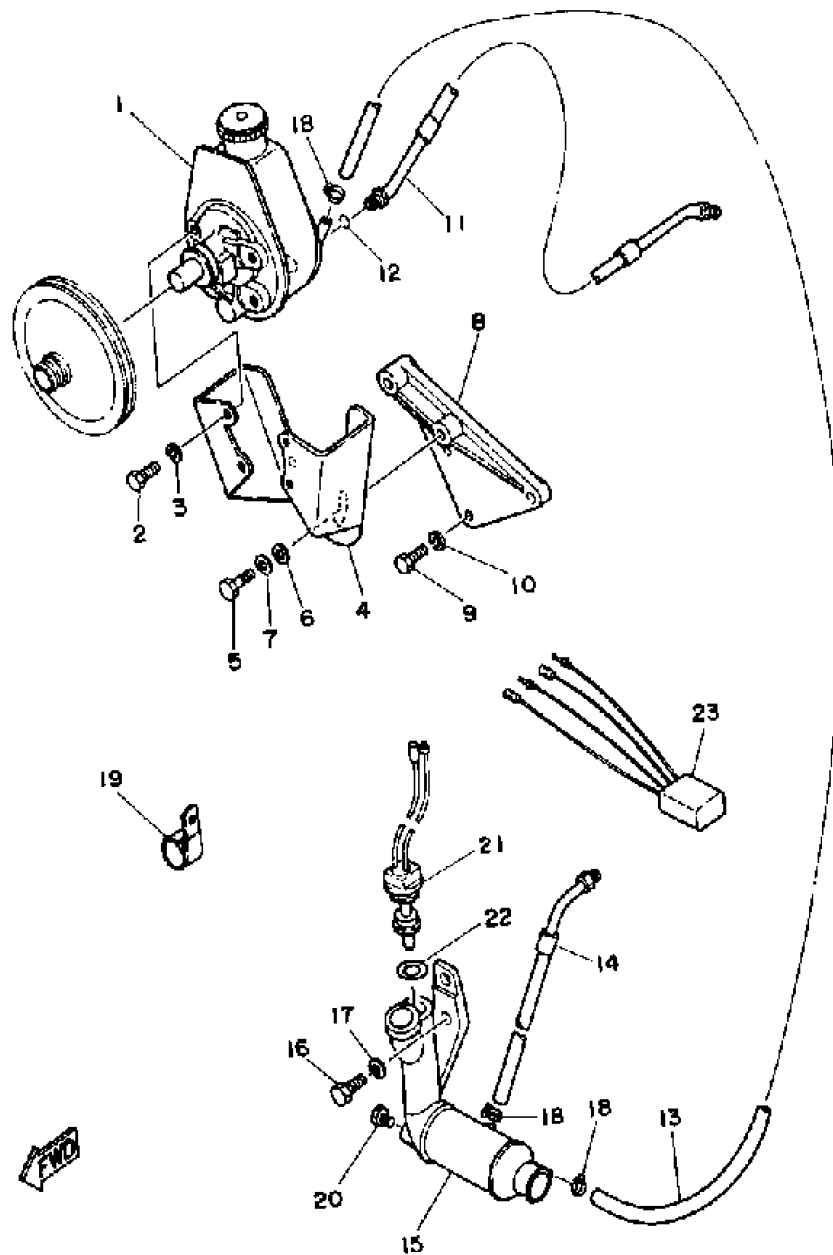
REF - NO	PART NUMBER	PART NAME	QUANTITY	REMARKS
1	YSC-10231-10-0C	OIL PAN ASSEMBLY	1	
2	YSG-14088-50-2G	REINFORCEMENT, OIL PAN (RIGHT)	1	
2	YSG-14088-50-1G	REINFORCEMENT, OIL PAN (LEFT)	1	
3	YSG-14088-50-5G	GASKET, OIL PAN	1	
4	YSG-94394-93-G0	NUT, OIL PAN	2	
5	YSG-44389-9G-00	BOLT	2	
5	YSG-94400-33-G0	BOLT	14	
5	YSG-18001-8G-00	BOLT	14	
6	YSG-37641-13-G0	SCREEN ASSY, OIL PUMP	1	
7	YSG-10055-84-9G	OIL PUMP ASSY	1	
8	YSG-10055-88-7G	COVER ASSEMBLY, OIL PUMP	1	
9	YSG-37023-66-G0	VALVE, OIL PRESS REG	1	
10	YSG-38489-11-G0	SPRING, OIL PRESS REG VALVE	1	
11	YSG-10367-7G-00	PIN, OIL PRESS REG VALVE SPRING	1	
12	YSG-39982-87-G0	SHAFT	1	
13	YSG-37645-54-G0	RETAINER	1	
14	YSG-10046-00-7G	BOLT	1	



Part List

V8_5.7_ENGINE_YEMS 1989 / OIL FILTER - OIL GAUGE

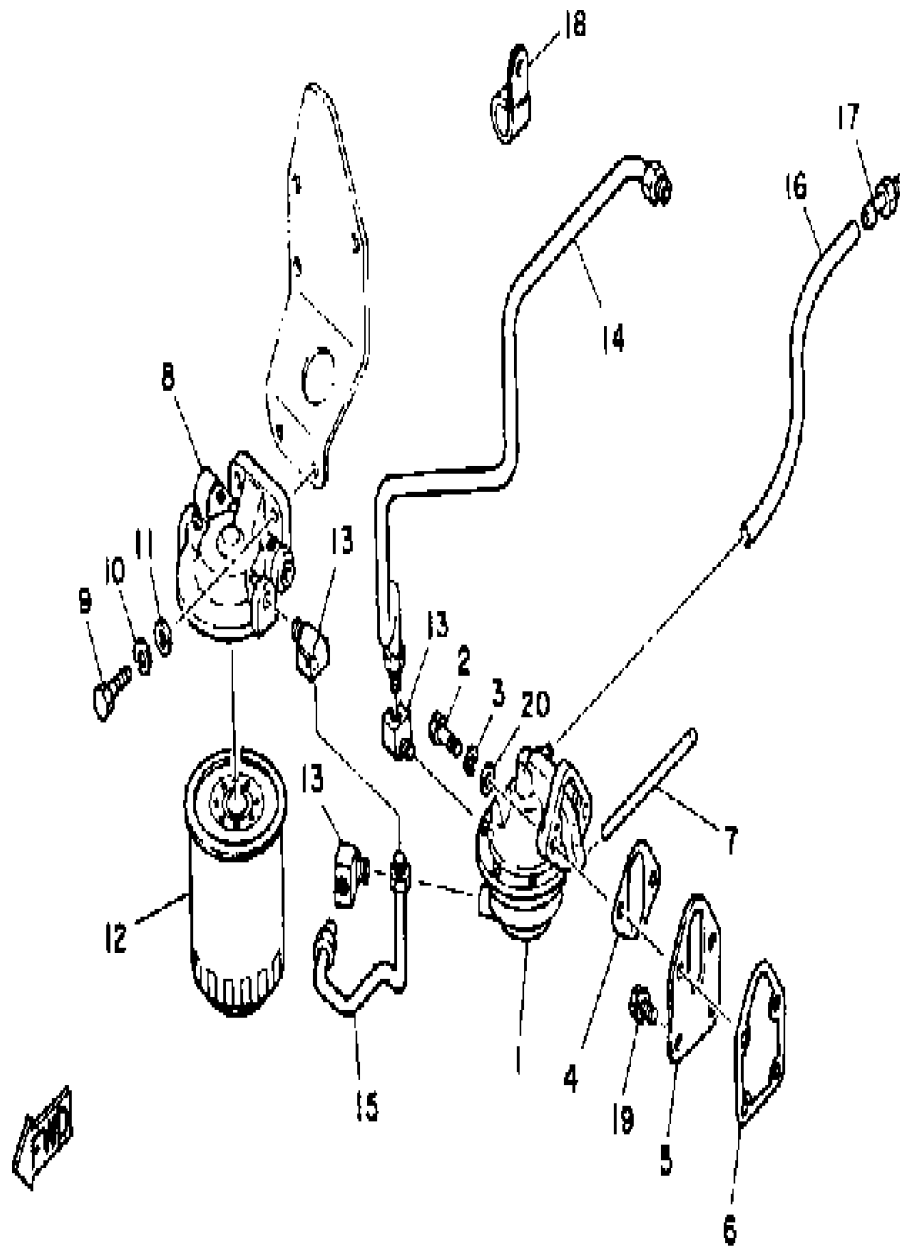
REF - NO	PART NUMBER	PART NAME	QUANTITY	REMARKS
1	YSC-10220-10-0C	ADAPTER, REMOTE OIL FILTER	1	
2	YSC-10220-20-0C	O-RING (1/8" SQ. RING)	1	
3	YSC-90205-25-0C	BOLT (5/16-18X2-1/2")	2	
4	YSC-92220-00-0C	WASHER, FLAT (5/16")	2	
5	YSC-10221-10-0C	OIL LINE, ADAPTER TO HEADER	2	
6	YSC-10221-40-BC	HEADER, OIL FILTER REMOTE	1	
7	YSC-10220-00-0C	NIPPLE, OIL FILTER MOUNTING	1	
8	YSC-10231-20-0C	OIL FILTER	1	
9	YSC-10220-30-0C	BLOCK, OIL DIPSTICK	1	
10	YSC-10220-40-0C	SCREW, OIL ADAPTER BLOCK	1	
11	YSC-10220-50-0C	WASHER, ADAPTER TO OIL PAN	1	
12	YSC-10220-60-0C	WASHER, OIL ADAPTER BLOCK	1	
13	YSC-10221-90-AC	OIL DIPSTICK TUBE ASSY	1	
14	YSC-90305-07-5C	BOLT, HEXAGON (3/8- 16X3/4")	1	
15	YSC-93300-00-0C	WASHER, LOCK (3/8")	1	
16	YSC-10230-10-0C	GAUGE, OIL LEVEL	1	
17	YSC-10231-30-0C	ADAPTOR, TUBE TO ADAPTER BLOCK	1	
18	YSC-10120-10-0C	SENDER, OIL PRESSURE	1	
19	YSC-10120-20-0C	SWITCH, OIL PRESSURE	1	
20	YSG-14090-90-8G	GASKET, OIL PAN SCREW (YSC-10231-40-0C)	1	
21	YSC-10231-50-0C	O-RING	2	
22	YSC-10082-30-0C	CLAMP, SUPPORT HOSE (1- 7/16")	1	



Part List

V8_5.7_ENGINE_YEMS 1989 / POWER STEERING PUMP - OIL COOLER

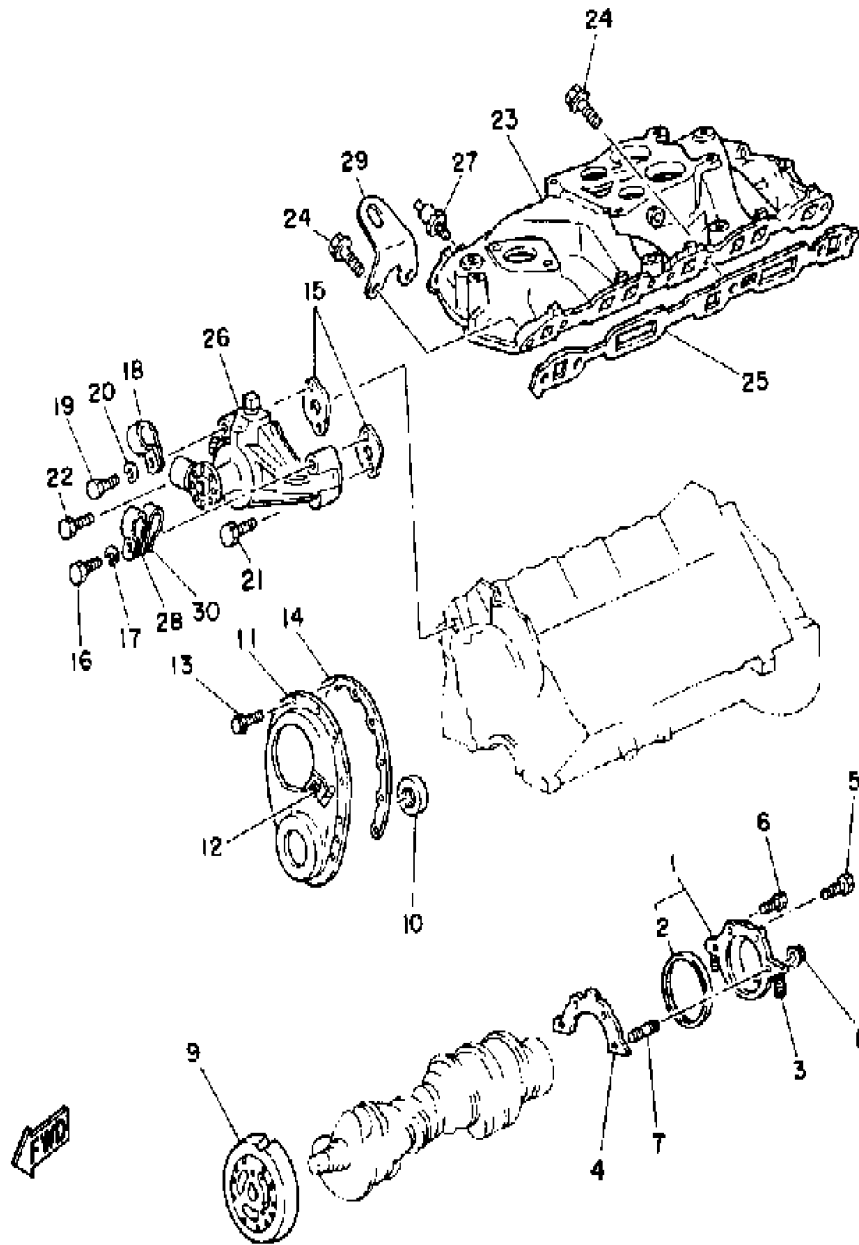
REF - NO	PART NUMBER	PART NAME	QUANTITY	REMARKS
1	YSC-10070-00-0C	PUMP, POWER STEERING	1	
2	YSC-90915-02-0C	BOLT, HEXAGON (M10X1.5X20MM)	4	
3	YSC-93913-00-0C	WASHER, LOCK (M10)	4	
4	YSC-10051-10-0C	BRACKET, POWER STEERING PUMP	1	
5	YSC-90505-10-0C	BOLT, HEXAGON (1/2-13X1")	2	
6	YSC-92500-00-0C	WASHER, FLAT (1/2")	2	
7	YSC-93500-00-0C	WASHER, LOCK (1/2")	2	
8	YSC-10051-20-AC	SUPPORT, POWER STEERING PUMP	1	
9	YSC-90305-12-5C	BOLT, HEXAGON (3/8-16X1- 1/4")	3	
10	YSC-93300-00-0C	WASHER, LOCK (3/8")	3	
11	YSC-10051-30-0C	HYDRAULIC LINE ASSEMBLY	1	HIGH PRESSURE
12	YSC-10060-10-0C	O-RING (.301 ID X .070 DIA)	1	NEW PART # ACTIVATED FROM 10/01/89.
13	YSC-10051-40-0C	HYDRAULIC LINE ASSY	1	P.S.PUMP/OIL COOLER
14	YSC-10051-50-0C	HYDRAULIC LINE ASSY	1	LOW PRESSURE
15	YSC-10051-60-AC	OIL COOLER ASSEMBLY (YSC-10051-60-0C)	1	
16	YSC-90305-10-0C	BOLT, HEXAGON (3/8-16X1")	2	
17	YSC-93300-00-0C	WASHER, LOCK (3/8")	2	
18	YSC-10061-50-0C	CLAMP, HOSE (#2)	3	
19	YSC-10061-60-0C	CLAMP, HYDRAULIC LINE SUPPORT	2	
20	YSC-10230-20-0C	PLUG, HEXAGON (18" NPT BRASS)	1	
21	6T0-83605-00-00	SWITCH, SEA WATER FLOW	1	
22	90430-26191-00	GASKET, SEA WATER FLOW	1	
23	6T0-81325-00-00	CONDENSER, WATER FLOW SWITCH	1	



Part List

V8_5.7_ENGINE_YEMS 1989 / FUEL PUMP - FUEL FILTER

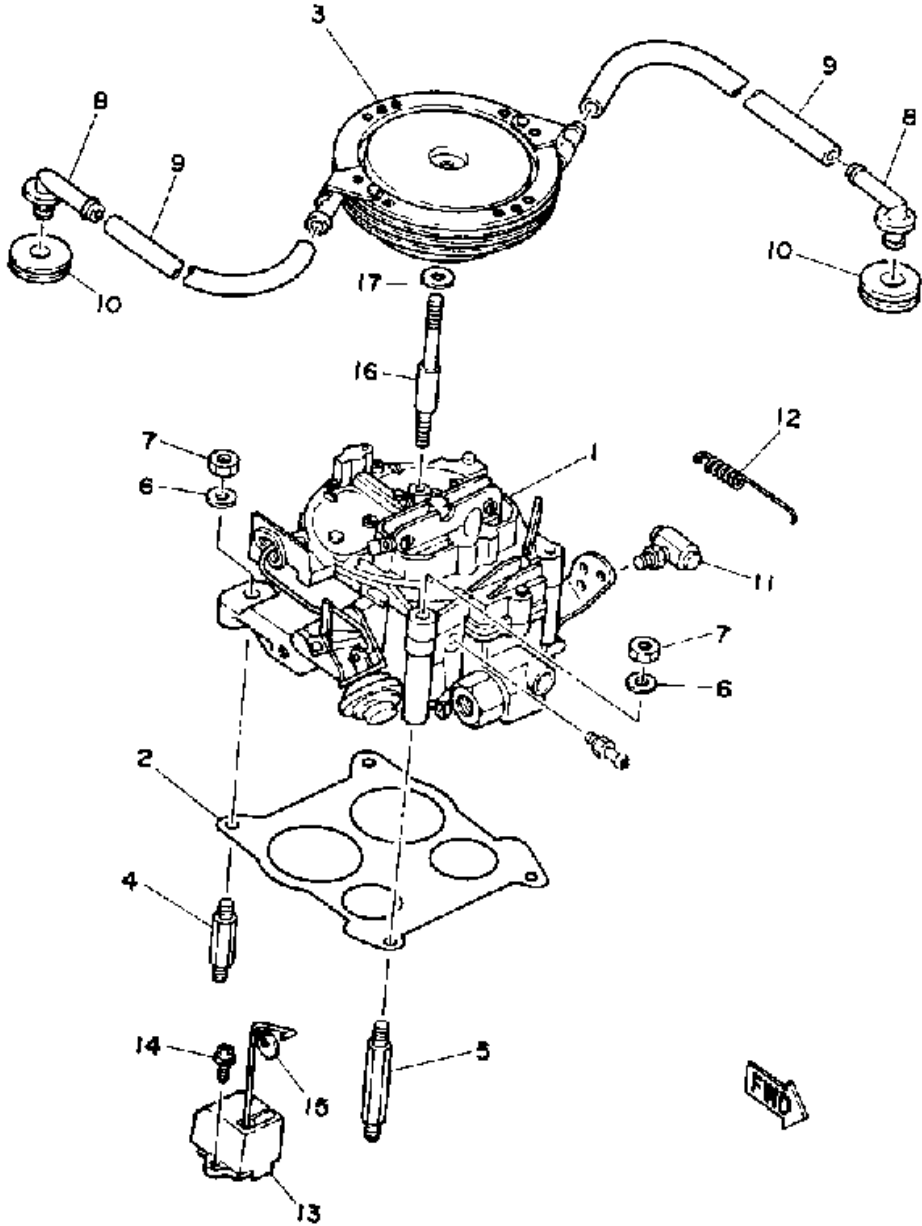
REF - NO	PART NUMBER	PART NAME	QUANTITY	REMARKS
1	YSC-10170-10-0C	PUMP, FUEL	1	
2	YSC-90305-15-0C	BOLT, HEXAGON (3/8-16X1-1/2")	2	
3	YSC-93300-00-0C	WASHER, LOCK (3/8")	2	
4	YSG-10114-14-1G	GASKET, FUEL PUMP (YSG-37050-42-G0)	1	
5	YSG-37195-99-G0	PLATE, FUEL PUMP TO BLOCK	1	
6	YSG-10108-43-8G	GASKET, FUEL PLATE (YSG-37050-44-G0)	1	
7	YSG-37048-17-G0	ROD, FUEL PUMP PUSH	1	
8	YSC-10171-10-0C	HEADER, FUEL FILTER	1	
9	YSC-90205-12-5C	BOLT, HEXAGON (5/16"-18X1-1/4")	2	
10	YSC-93200-00-0C	WASHER, LOCK (5/16")	2	
11	YSC-92200-00-0C	WASHER, FLAT (5/16")	2	
12	ABA-FUELF-IL-TR	FUEL FILTER ASSY	1	
13	YSC-10170-20-0C	ELBOW, FUEL LINE CONNECTOR	3	
14	YSC-10161-20-AC	FUEL LINE, FUEL PUMP TO CARBURETOR (YSC-10161-20-0C)	1	
15	YSC-10161-30-AC	FUEL LINE, FUEL PUMP TO FILTER (YSC-10161-30-0C)	1	
16	YSC-10170-30-0C	HOSE, FUEL FUME BYPASS	1	
17	YSC-10160-20-0C	ADAPTER, FUEL FUME BYPASS	1	
18	YSC-10171-70-0C	CLAMP, FUEL LINE SUPPORT	1	
19	YSC-10171-60-0C	BOLT, ASSY (1/4-20X3/8")	2	
20	YSC-92300-00-0C	WASHER, FLAT (5/16")	2	



Part List

V8_5.7_ENGINE_YEMS 1989 / INTAKE MANIFOLD - FRONT COVER

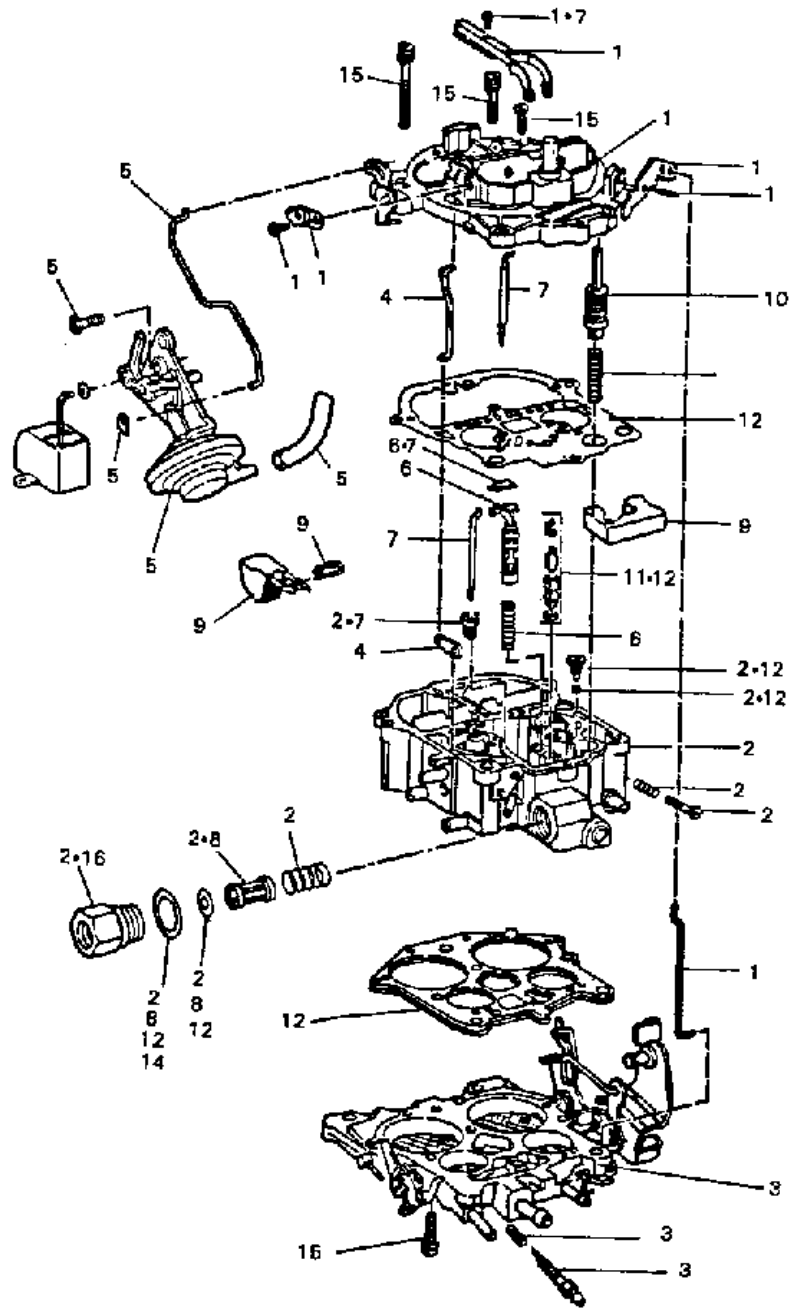
REF - NO	PART NUMBER	PART NAME	QUANTITY	REMARKS
1	YSG-14088-55-6G	RETAINER ASSY	1	
2	YSG-14088-55-9G	.SEAL	1	
3	YSG-14080-36-2G	STUD	2	
4	YSG-14101-06-0G	GASKET	1	
5	YSG-14088-56-1G	BOLT	2	
6	YSG-14088-56-2G	BOLT	1	
7	YSG-14101-05-8G	STUD	1	
8	YSG-94399-15-G0	NUT	1	
9	YSG-10066-04-5G	DAMPER ASSEMBLY	1	
10	YSG-10111-76-9G	SEAL ASSY	1	
11	YSG-10046-16-9G	COVER, FRONT	1	
12	YSG-39914-35-G0	POINTER, TIMING	1	
13	YSG-94399-30-G0	BOLT	10	
14	YSG-10108-43-5G	GASKET	1	
15	YSG-37545-87-G0	GASKET, WATER PUMP	1	
16	YSC-90308-17-5C	BOLT, HEXAGON (3/8-16X1-3/4")	1	UPPER L.H.
17	YSC-93300-00-0C	WASHER, LOCK (3/8")	1	UPPER L.H..
18	YSC-10082-30-0C	CLAMP, SUPPORT HOSE (1-7/16")	2	UPPER R.H.
19	YSC-90308-17-5C	BOLT, HEXAGON (3/8-16X1-3/4")	1	UPPER R.H.
20	YSC-93300-00-0C	WASHER, LOCK (3/8")	1	UPPER R.H.
21	YSG-94396-37-G0	BOLT	1	LOWER L.H.
22	YSG-45490-8G-00	BOLT	1	LOWER R.H.
23	YSG-14096-24-3G	MANIFOLD ASSEMBLY, INLET (YSG-14096-24-3G)	1	
24	YSG-94399-21-G0	BOLT	5	
24	YSG-14091-54-4G	BOLT	9	
24	YSG-94402-49-G0	BOLT	2	
25	YSG-10074-16-8G	GASKET	2	
26	YSG-10081-94-4G	PUMP, CIRCULATING	1	
27	YSC-10120-00-0C	SENDER, WATER TEMPERATURE	1	
28	YSC-10091-50-0C	CLAMP, SUPPORT HOSE (1-7/16")	1	
29	YSC-10281-50-0C	HANGER, ENGINE FRONT	1	
30	YSC-10061-60-0C	CLAMP, HYDRAULIC LINE SUPPORT	1	



Part List

V8_5.7_ENGINE_YEMS 1989 / CARBURETOR

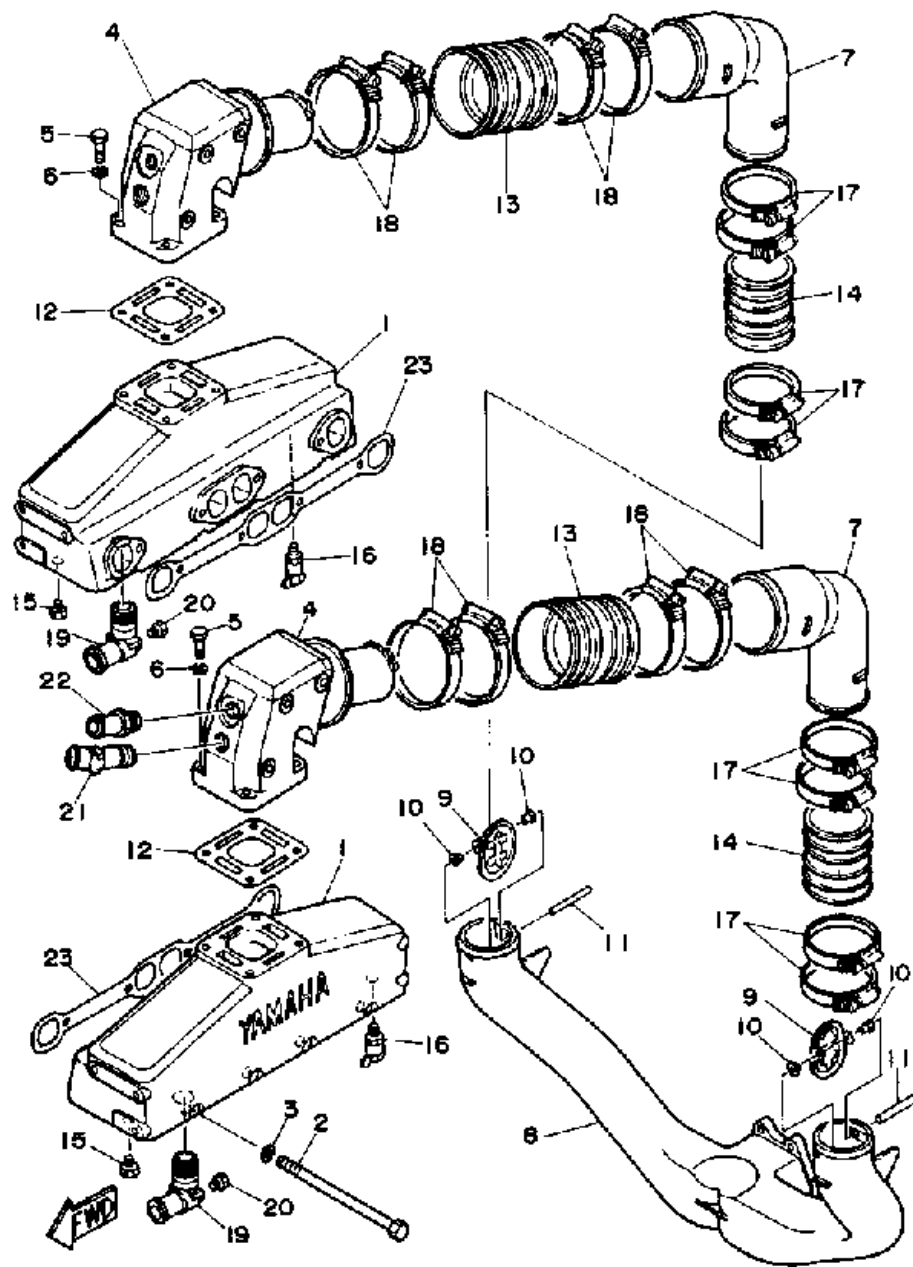
REF - NO	PART NUMBER	PART NAME	QUANTITY	REMARKS
1	YSC-10180-00-0C	CARBURETOR ASSY	1	
2	YSC-10161-40-0C	GASKET, CARBURETOR MOUNTING	1	
3	YSC-10170-00-0C	FLAME ARRESTOR	1	
4	YSC-10160-10-0C	STUD, CARBURETOR MOUNTING (5/16-18X1-5/8")	2	SHORT
5	YSC-10160-11-0C	STUD, CARBURETOR MOUNTING (5/16-18X4-5/8")	2	LONG
6	YSC-92200-00-0C	WASHER, FLAT (5/16")	4	
7	YSC-95202-00-0C	NUT, HEXAGON (5/16-18 ESNA)	4	
8	YSC-10191-90-0C	ELBOW, VENTILATION	2	
9	YSC-10192-11-0C	HOSE, VENTILATION	2	
10	YSC-10190-10-0C	GROMMET, BREATHER	2	
11	YSC-10060-00-0C	BALL JOINT ASSEMBLY	1	
12	YSC-10161-10-0C	SPRING, THROTTLE RETURN	1	
13	YSG-62699-18-G0	CHOKE ASSEMBLY	1	
14	YSG-27351-3G-00	SCREW & WASHER, CHOKE MOUNTING	1	
15	YSG-39890-67-G0	CLIP, AUTO CHOKE ROD	1	
16	YSC-10160-00-AC	STUD, FLAME ARRESTER (4") (YSC-101600-00-0C)	1	
17	YSC-92100-00-0C	WASHER, FLAT (1/4")	1	~000418
17	YSC-94140-00-0C	WASHER, SEALING (1/4")	1	000419~



Part List

V8_5.7_ENGINE_YEMS 1989 / CARBURETOR KIT

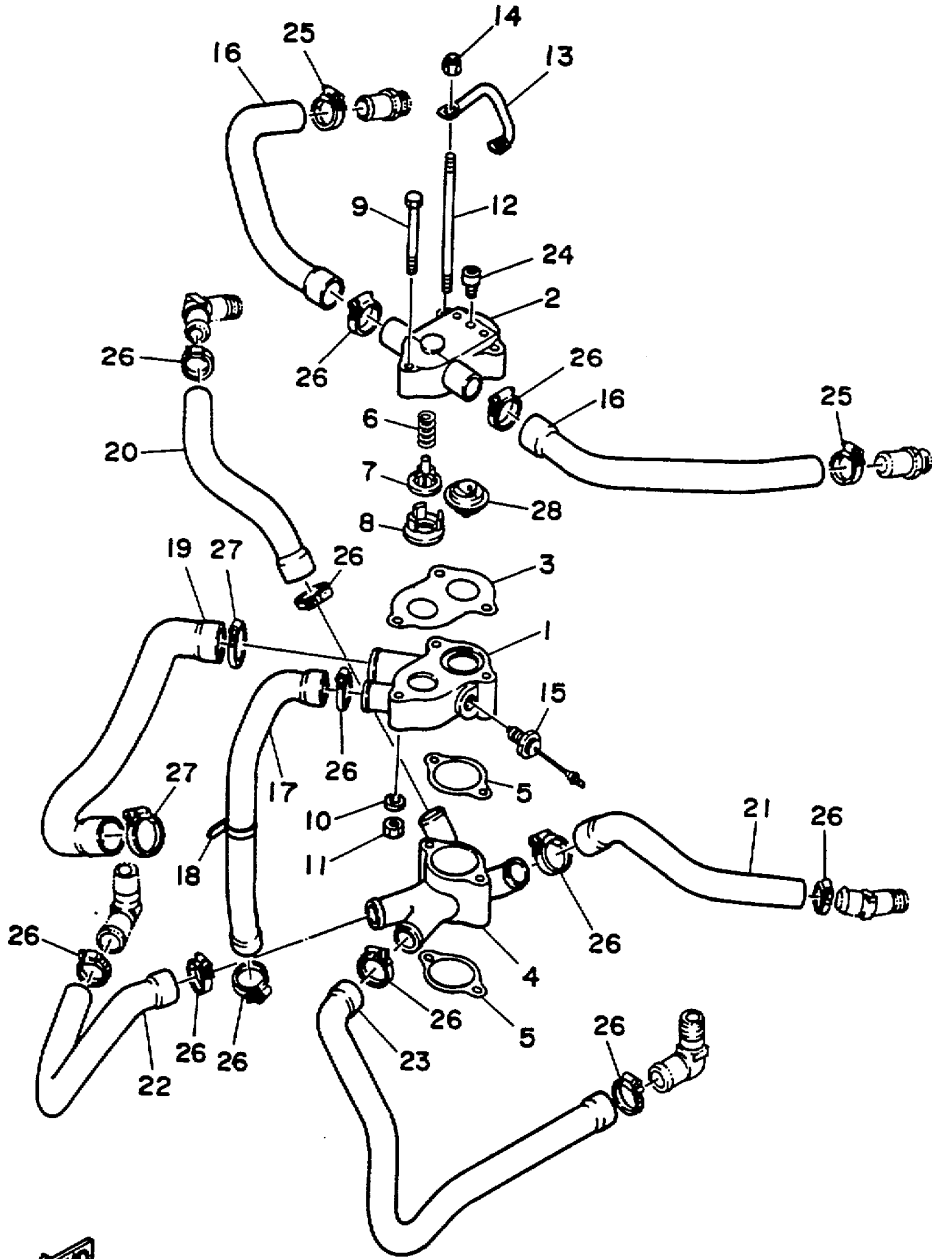
REF - NO	PART NUMBER	PART NAME	QUANTITY	REMARKS
1	YSC-10180-80-0C	AIR HORN KIT	1	
2	YSC-10181-00-0C	FLOAT BOWL KIT	1	
3	YSC-10181-10-0C	THROTTLE BODY KIT	1	
4	YSC-10181-20-0C	CHOKE LINK & LEVER KIT	1	
5	YSC-10181-30-00	PRIMARY VACUUM KIT	1	
6	YSC-10181-40-0C	POWER PISTON KIT	1	
7	YSC-10181-50-0C	METERING JET & ROD KIT	1	
8	YSC-10181-60-0C	FUEL FILTER KIT	1	
9	YSC-10181-70-0C	FLOAT KIT	1	
10	YSC-10181-80-0C	PUMP KIT	1	
11	YSC-10180-50-0C	NEEDLE & SEAT KIT	1	
12	YSC-10180-60-0C	CARBURETOR REPAIR KIT	1	
13	000-00000-00-00	TEST	1	N/A
14	YSC-10180-10-0C	GASKET, INLET FILTER NUT	1	
15	YSC-10181-90-0C	SCREW KIT, AIR HORN / THROTTLE BODY	1	
16	YSC-10180-30-0C	NUT, FUEL INLET	1	
17	YSC-10181-20-0C	CHOKE LINK & LEVER KIT	1	
18	YSC-10180-00-0C	CARBURETOR ASSY	1	



Part List

V8_5.7_ENGINE_YEMS 1989 / EXHAUST SYSTEM

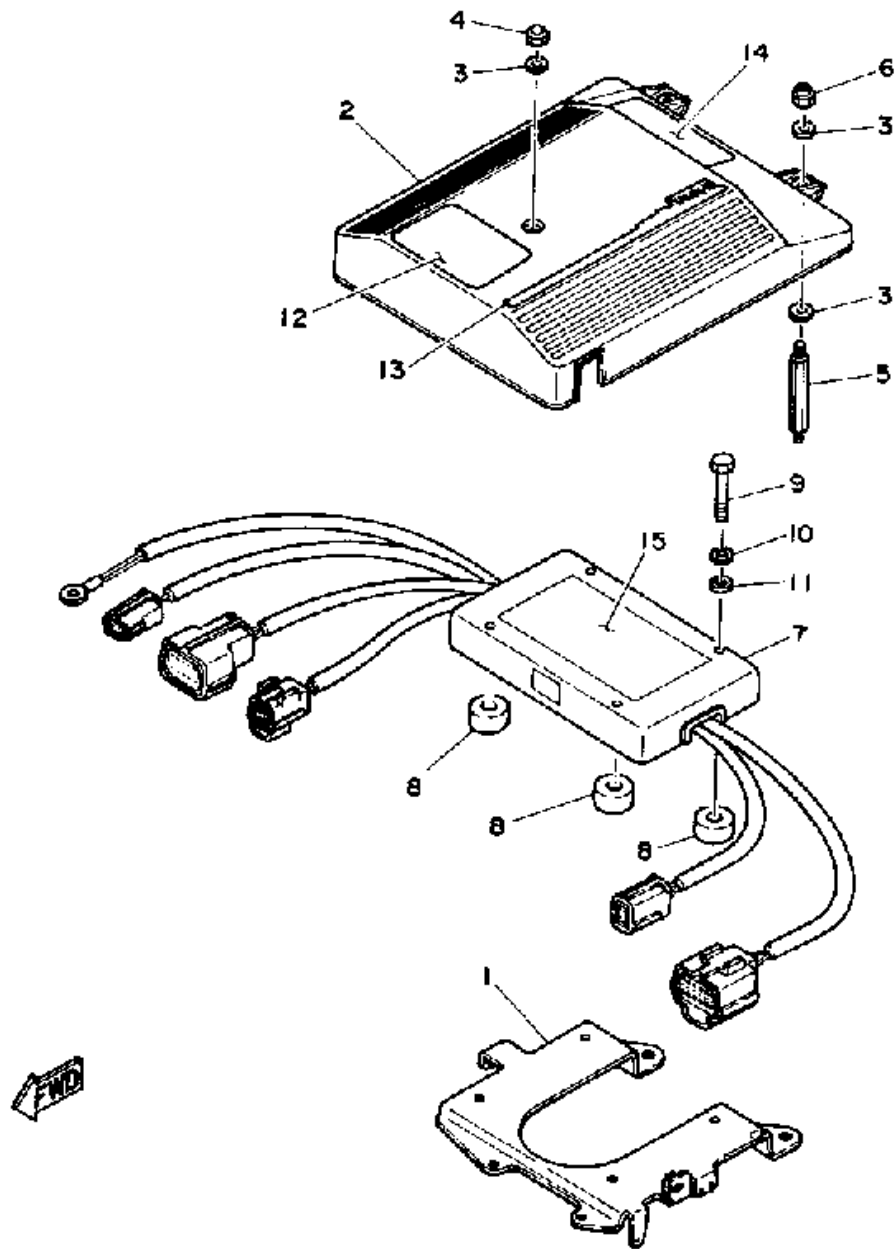
REF - NO	PART NUMBER	PART NAME	QUANTITY	REMARKS
1	YSC-10191-10-0C	MANIFOLD, EXHAUST	2	
2	YSC-90305-55-0C	BOLT, HEXAGON (3/8-16X5-1/2")	8	
3	YSC-93300-00-0C	WASHER, LOCK (3/8")	8	
4	YSC-10191-20-0C	ELBOW, EXHAUST MIXING	2	
5	YSC-90305-12-5C	BOLT, HEXAGON (3/8-16X1-1/4")	8	
6	YSC-93300-00-0C	WASHER, LOCK (3/8")	8	
7	YSC-10191-30-0C	ELBOW, EXHAUST INTERMEDIATE	2	
8	YSC-10191-40-0C	PIPE, EXHAUST	1	~100334/100336~100441
8	YSC-10191-41-0C	PIPE, EXHAUST	1	100335, 100442~
9	6T0-14673-00-00	SHUTTER, WATER	2	
10	6T0-14664-00-00	GROMMET, WATER SHUTTER	4	
11	6T0-14745-00-00	SHAFT, WATER SHUTTER	2	
12	YSC-10192-00-0C	GASKET, EXHAUST MIXING ELBOW	2	
13	YSC-10192-20-0C	HOSE, EXHAUST CONNECTING (4")	2	~100334/100336~100441
13	YSC-10192-21-0C	HOSE, EXHAUST CONNECTING (4")	2	100335, 100442~
14	YSC-10192-31-0C	HOSE, EXHAUST CONNECTING (3")	2	100335, 100442~
14	YSC-10192-30-0C	HOSE, EXHAUST CONNECTING (3")	2	~100334/100336~100441
15	YSC-10200-00-0C	PLUG, HEXAGON (1/4-18" NPT BRASS)	2	
16	YSC-10201-50-0C	DRAIN COCK, EXHAUST MANIFOLD	2	
17	YSC-10201-60-0C	CLAMP, HOSE (#52)	8	
18	YSC-10201-70-0C	CLAMP, HOSE (#72)	8	
19	YSC-10191-50-0C	ELBOW, EXHAUST WATER INLET	2	~100347
19	YSC-10191-50-AC	ELBOW, EXHAUST WATER INLET	2	100348~
20	YSC-10200-00-0C	PLUG, HEXAGON (1/4-18" NPT BRASS)	2	100348~
21	YSC-10191-60-0C	ELBOW, EXHAUST MIXING	2	
22	YSC-10191-70-0C	ADAPTER, EXHAUST MIXING	2	
23	YSC-10190-00-0C	GASKET, EXHAUST MANIFOLD MOUNTING	2	



Part List

V8_5.7_ENGINE_YEMS 1989 / THERMOSTAT HOUSING

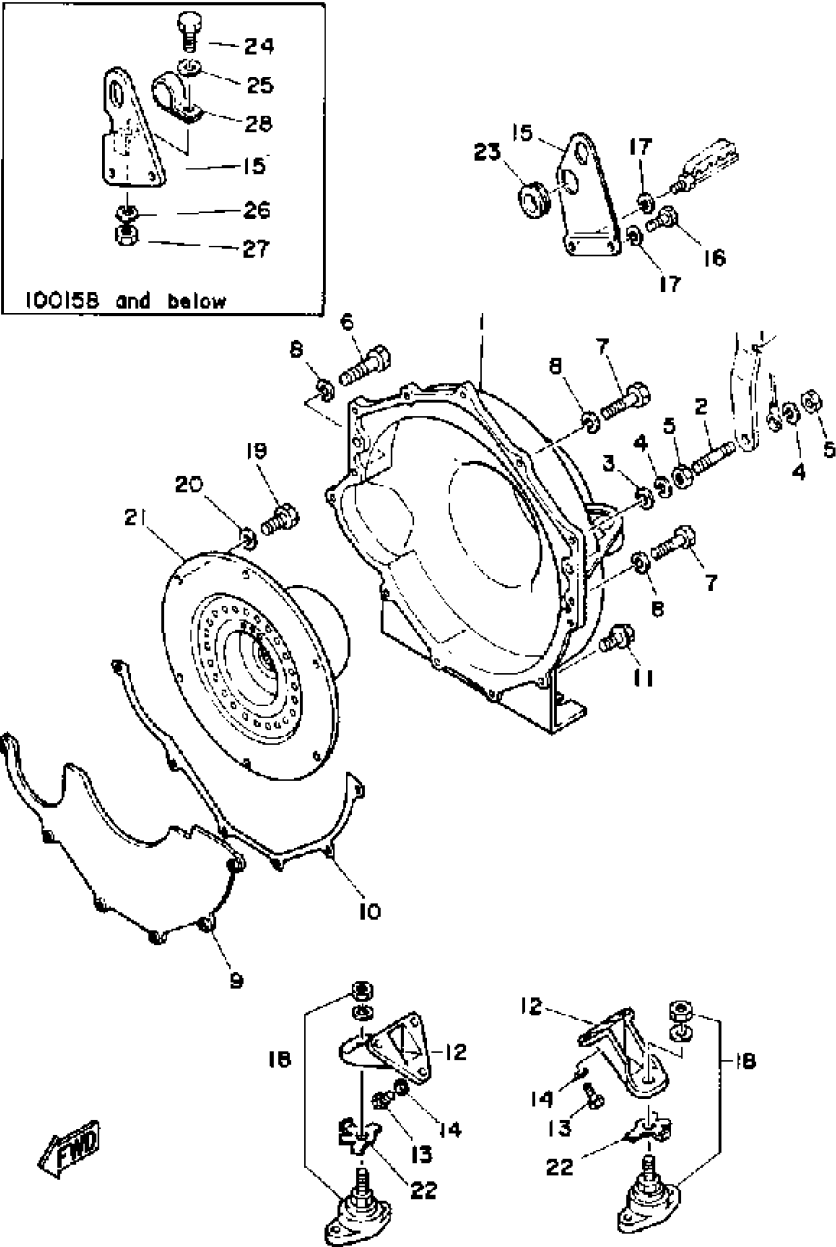
REF - NO	PART NUMBER	PART NAME	QUANTITY	REMARKS
1	YSC-10081-30-0C	HOUSING, THERMOSTAT	1	
2	YSC-10081-40-0C	COVER, THERMOSTAT HOUSING	1	
3	YSC-10080-10-0C	GASKET, THERMOSTAT HOUSING COVER	1	
4	YSC-10081-20-0C	HOUSING, EXHAUST MANIFOLD	1	
5	YSC-10080-00-0C	GASKET THERMOSTAT HOUSING	2	
6	YSC-10080-20-0C	SPRING, PRESSURE RELIEF	1	
7	YSC-10080-30-0C	VALVE, PRESSURE RELIEF	1	
8	YSC-10080-40-0C	SEAT, PRESSURE RELIEF	1	
9	YSC-90305-35-0C	BOLT, HEXAGON (3/8-16X3- 1/2")	1	
10	YSC-93300-00-0C	WASHER, LOCK (3/8")	1	
11	YSC-95300-00-0C	NUT, HEXAGON	1	
12	YSC-10081-50-0C	STUD	2	
13	YSC-10281-70-0C	HANGER, ENGINE	1	
14	YSC-95302-00-0C	NUT, HEXAGON (3/8-16 NYLOCK)	2	
15	6T0-82560-00-00	SWITCH, WATER TEMPERATURE	1	
16	YSC-10081-61-0C	HOSE	2	
17	YSC-10081-70-0C	HOSE	1	
18	YSC-10122-70-0C	TIE WRAP	1	
19	YSC-10081-80-0C	HOSE	1	
20	YSC-10081-91-0C	HOSE	1	
21	YSC-10081-92-0C	HOSE	1	
22	YSC-10082-01-0C	HOSE	1	
23	YSC-10082-02-0C	HOSE	1	
24	YSC-10091-10-0C	PLUG, HOUSING COVER VENT	1	
25	YSC-10091-20-0C	CLAMP (#16)	2	
26	YSC-10091-30-0C	CLAMP (#20)	12	
27	YSC-10091-40-0C	CLAMP (#32)	2	
28	YSC-10090-00-AC	THERMOSTAT	1	



Part List

V8_5.7_ENGINE_YEMS 1989 / COVER - COMPUTER

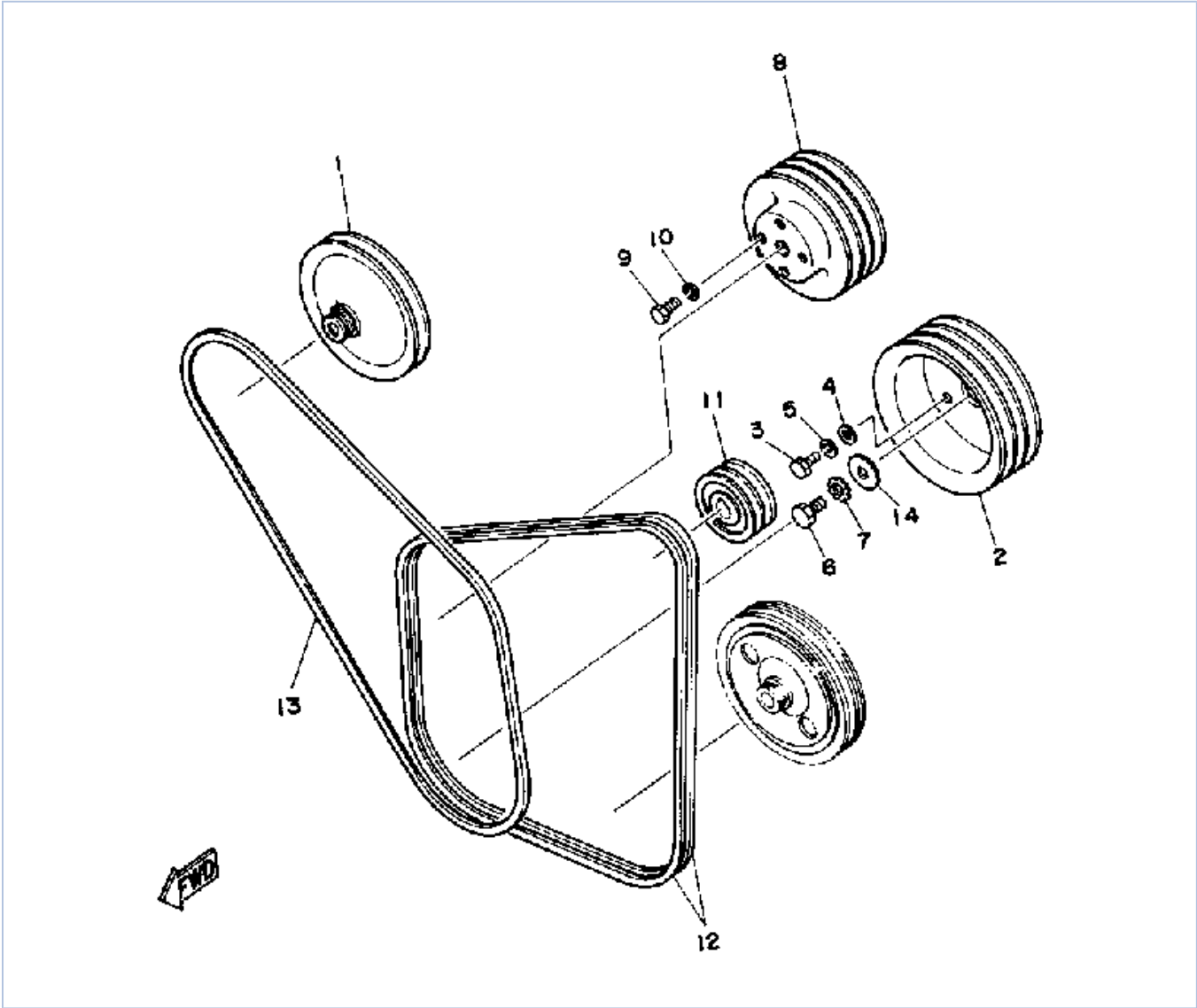
REF - NO	PART NUMBER	PART NAME	QUANTITY	REMARKS
1	YSC-10111-50-0C	BRACKET ASSY	1	
2	6T0-1444E-00-00	COVER, FLAME ARRESTOR	1	
3	YSC-92100-00-0C	WASHER, FLAT (1/4")	5	
4	YSC-95104-00-0C	NUT (YSC-95103-00-0C)	1	
5	YSC-10191-80-0C	SUPPORT, FLAME ARRESTOR	2	
6	YSC-95102-00-0C	NUT, HEXAGON (1/4-20)	2	
7	6T0-82305-00-00	E.C.U (COMPUTER)	1	
8	YSC-10121-20-0C	ISOLATOR, RUBBER ECU MOUNTING	4	
9	YSC-90205-20-0C	BOLT, HEXAGON (5/16- 18X2")	4	
10	YSC-93200-00-0C	WASHER, LOCK (5/16")	4	
11	YSC-92200-00-0C	WASHER, FLAT (5/16")	4	
12	6T0-1441K-10-00	EMBLEM 001	1	001443~
12	6T0-1441K-00-00	EMBLEM	1	~001442
13	6T0-1442K-00-00	EMBLEM 2	1	
14	6T0-14488-00-00	STICKER, CAUTION	1	
15	YSC-10310-50-0C	LABEL, SERV DATA	1	



Part List

V8_5.7_ENGINE_YEMS 1989 / MOUNTING - FLYWHEEL HOUSING

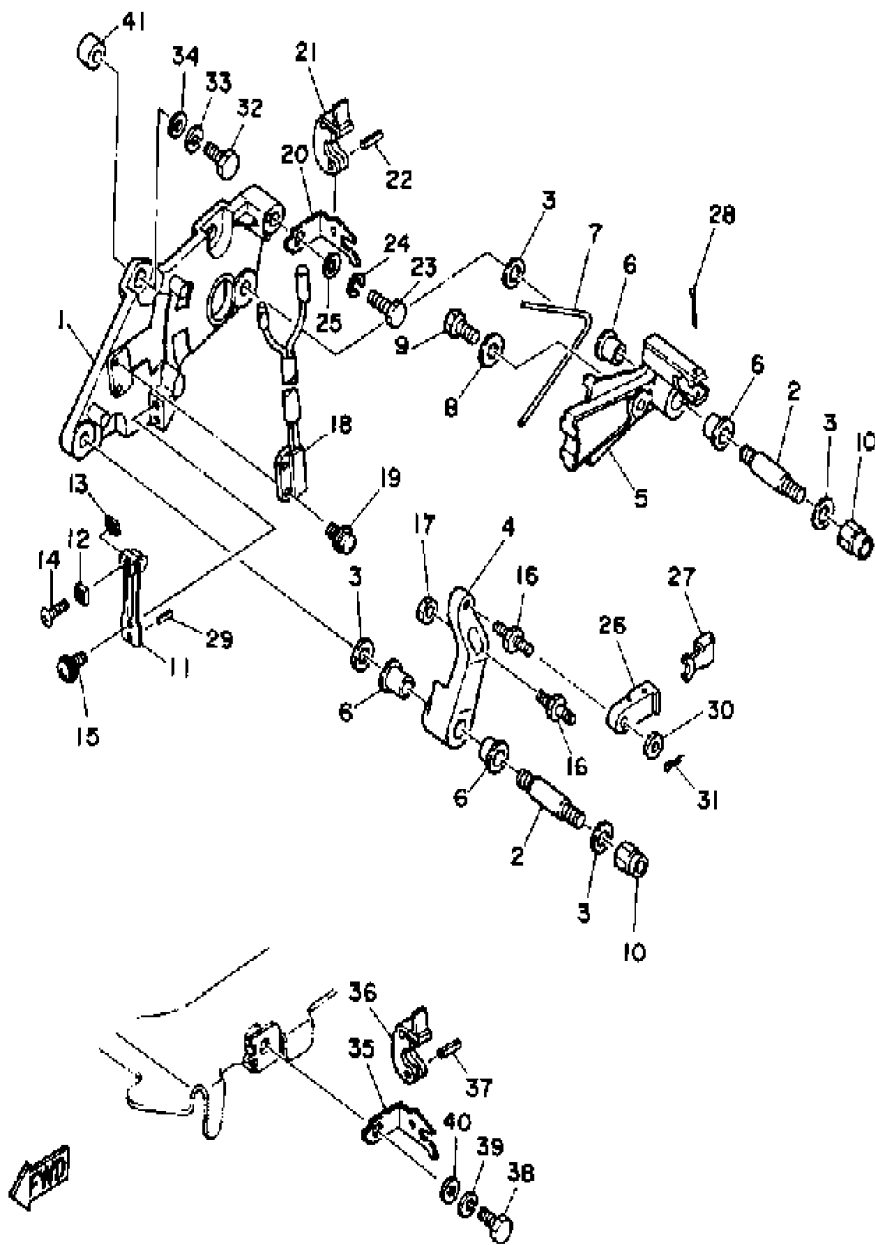
REF - NO	PART NUMBER	PART NAME	QUANTITY	REMARKS
1	YSC-10281-10-BC	HOUSING, FLYWHEEL	1	100152~
1	YSC-10281-10-AC	HOUSING, FLYWHEEL (YSC-10281-10-0C)	1	110198~100151
1	YSC-10281-10-AC	HOUSING, FLYWHEEL (YSC-10281-10-0C)	1	~001197
2	YSC-10110-00-0C	STUD, (3/8-16X2-3/4")	2	
3	YSC-92300-00-0C	WASHER, FLAT (5/16")	2	
4	YSC-93300-00-0C	WASHER, LOCK (3/8")	4	
5	YSC-95300-00-0C	NUT, HEXAGON	4	
6	YSC-90305-12-5C	BOLT, HEXAGON (3/8-16X1-1/4")	1	
7	YSC-90305-15-0C	BOLT, HEXAGON (3/8-16X1-1/2")	3	
8	YSC-93300-00-0C	WASHER, LOCK (3/8")	4	
9	YSC-10281-20-BC	UNDERCOVER, FLYWHEEL HOUSING	1	100152~
9	YSC-10281-20-0C	UNDERCOVER, FLYWHEEL HOUSING	1	~100151
10	YSC-10281-30-AC	GASKET, UNDERCOVER	1	100152~
10	YSC-10281-30-0C	GASKET, UNDERCOVER	1	~100151
11	YSC-91100-08-0C	SCREW, SELF TAPPING (1/4-20X7/8")	2	~001197
11	YSC-91100-10-0C	SCREW, SELF TAPPING (1/4-20X1")	6	001198~
11	YSC-91100-10-0C	SCREW, SELF TAPPING (1/4-20X1")	4	~001197
12	YSC-10281-40-0C	SUPPORT, FRONT V8	2	
13	YSC-90305-12-5C	BOLT, HEXAGON (3/8-16X1-1/4")	6	
14	YSC-93300-00-0C	WASHER, LOCK (3/8")	6	
15	YSC-10281-60-BC	HANGER, ENGINE REAR (YSC-10281-60-AC)	1	
16	YSC-90305-10-0C	BOLT, HEXAGON (3/8-16X1")	1	
17	YSC-93300-00-0C	WASHER, LOCK (3/8")	2	
18	YSC-10290-00-AC	MOUNT, FRONT V8	2	
19	YSC-90305-10-0C	BOLT, HEXAGON (3/8-16X1")	6	
20	YSC-92300-00-1C	WASHER, FLAT (3/8")	6	
21	YSC-10251-60-0C	COUPLING, ENGINE DRIVE	1	
22	YSC-93700-00-0C	WASHER, LOCK (3/4")	2	~100530
22	YSC-10282-50-0C	WASHER, LOCKING (STAR)	2	100531~
23	YSC-10290-40-0C	GROMMET	1	100159~
24	YSC-90305-10-0C	BOLT, HEXAGON (3/8-16X1")	1	~100158
25	YSC-92300-00-0C	WASHER, FLAT (5/16")	1	~100158
26	YSC-93300-00-0C	WASHER, LOCK (3/8")	1	~100158
27	YSC-95300-00-0C	NUT, HEXAGON	1	~100158
28	YSC-10061-60-0C	CLAMP, HYDRAULIC LINE SUPPORT	1	~100158



Part List

V8_5.7_ENGINE_YEMS 1989 / BELTS - PULLEYS

REF - NO	PART NUMBER	PART NAME	QUANTITY	REMARKS
1	YSC-10251-40-0C	PULLEY, POWER STEERING PUMP	1	
2	YSC-10251-10-0C	PULLEY, CRANKSHAFT	1	
3	YSC-90315-12-5C	BOLT, HEXAGON (3/8-24X1- 1/4")	3	
4	YSC-92300-00-0C	WASHER, FLAT (5/16")	3	
5	YSC-93300-00-0C	WASHER, LOCK (3/8")	3	
6	YSC-90415-25-0C	BOLT, HEXAGON (7/16- 20X2-1/2")	1	
7	YSC-94400-00-0C	WASHER, LOCK (7/16")	1	
8	YSC-10251-20-0C	PULLEY, WATER PUMP	1	
9	YSC-90215-07-5C	BOLT, HEXAGON (5/16- 24X3/4")	4	
10	YSC-93300-00-0C	WASHER, LOCK (3/8")	4	
11	YSC-10251-50-0C	PULLEY, ALTERNATOR (2 GROOVE)	1	
12	YSC-10260-00-0C	BELT, CRANK/PUMP ALTERNATOR	2	
13	YSC-10260-10-0C	BELT, CRANK/P.S. PUMP	1	
14	YSC-10260-40-0C	WASHER, FLAT SPECIAL (7/16") (YSC-10260-40-0C)	1	




Part List

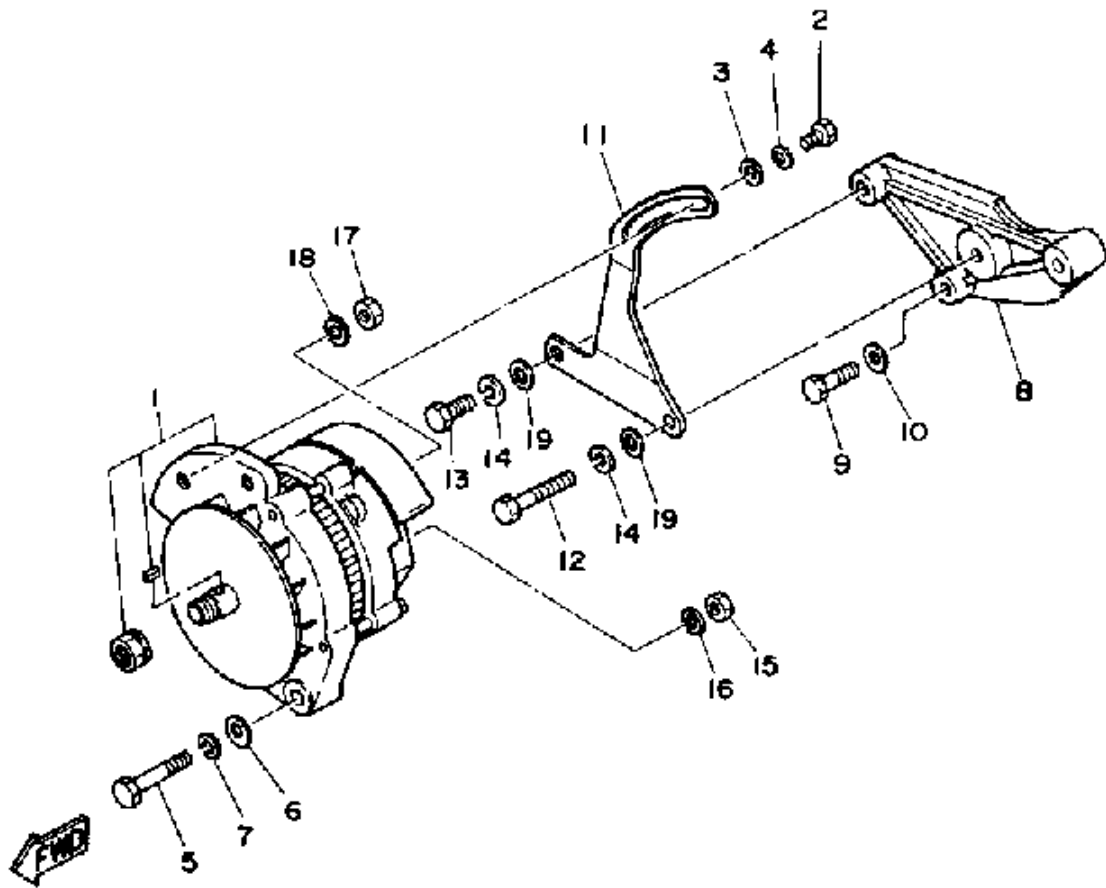
V8_5.7_ENGINE_YEMS 1989 / IGNITION INTERRUPTION UNIT

REF - NO	PART NUMBER	PART NAME	QUANTITY	REMARKS
1	6T0-45693-00-33	PLATE, SHIFT	1	
2	6T0-44178-00-00	BOLT, STUD	2	
3	90201-08M02-00	WASHER, PLAIN	4	
4	6T0-46382-00-33	LEVER, SHIFT 1	1	
5	6T0-46383-00-33	LEVER, SHIFT 2	1	
6	6T0-44132-00-00	BUSHING	4	
7	6T0-44135-00-00	SPRING	1	
8	90202-08022-00	WASHER, PLATE	1	
9	97025-08014-00	BOLT, HEXAGON	1	
10	95780-08300-00	NUT, FLANGE	2	
11	6T0-44104-01-00	PLATE COMP	1	
12	6T0-8135F-00-00	MAGNETO	1	
13	6T0-44583-00-00	NUT	1	
14	98780-03008-00	SCREW, FLAT HEAD	1	
15	97980-04312-00	SCREW, WITH WASHER	1	
16	6T0-42195-00-00	PIN, JOINT	2	
17	95380-06600-00	NUT, HEXAGON	1	
18	6T0-8259F-00-00	SWITCH ASSEMBLY	1	
19	97980-03310-00	SCREW, WITH WASHER	2	
20	6T0-48531-00-00	BRACKET, REMOTE CONTROL	1	
21	6E5-48538-00-00	CLAMP, CABLE	1	
22	91690-30012-00	PIN, SPRING	1	
23	97390-05016-00	BOLT, HEXAGON	1	
24	92990-08100-00	WASHER, SPRING	1	
25	92990-08600-00	WASHER, PLATE	1	
26	6G8-26363-00-00	.END, WIRE 1	1	
27	6G8-26364-00-00	.END, CABLE	1	
28	91490-20025-00	PIN, COTTER	1	
29	91690-20008-00	PIN, SPRING	1	
30	92990-06600-00	WASHER, PLATE	2	
31	91490-20015-00	PIN. COTTER	2	
32	YSC-90305-10-0C	BOLT, HEXAGON (3/8-16X1")	3	~000327
32	YSC-90305-12-5C	BOLT, HEXAGON (3/8-16X1-1/4")	3	000328~
33	YSC-93300-00-0C	WASHER, LOCK (3/8")	3	
34	YSC-92300-00-0C	WASHER, FLAT (5/16")	3	
35	6T0-48531-00-00	BRACKET, REMOTE CONTROL	1	
36	6E5-48538-00-00	CLAMP, CABLE	1	
37	91690-30012-00	PIN, SPRING	1	
38	YSC-90205-06-3C	BOLT, HEXAGON (5/16-18X5/8")	1	
39	YSC-93200-00-0C	WASHER, LOCK (5/16")	1	
40	YSC-92200-00-0C	WASHER, FLAT (5/16")	1	
41	YSC-10051-90-0C	SPACER	3	000328~

Part Notes

V8_5.7_ENGINE_YEMS 1989 / IGNITION INTERRUPTION UNIT

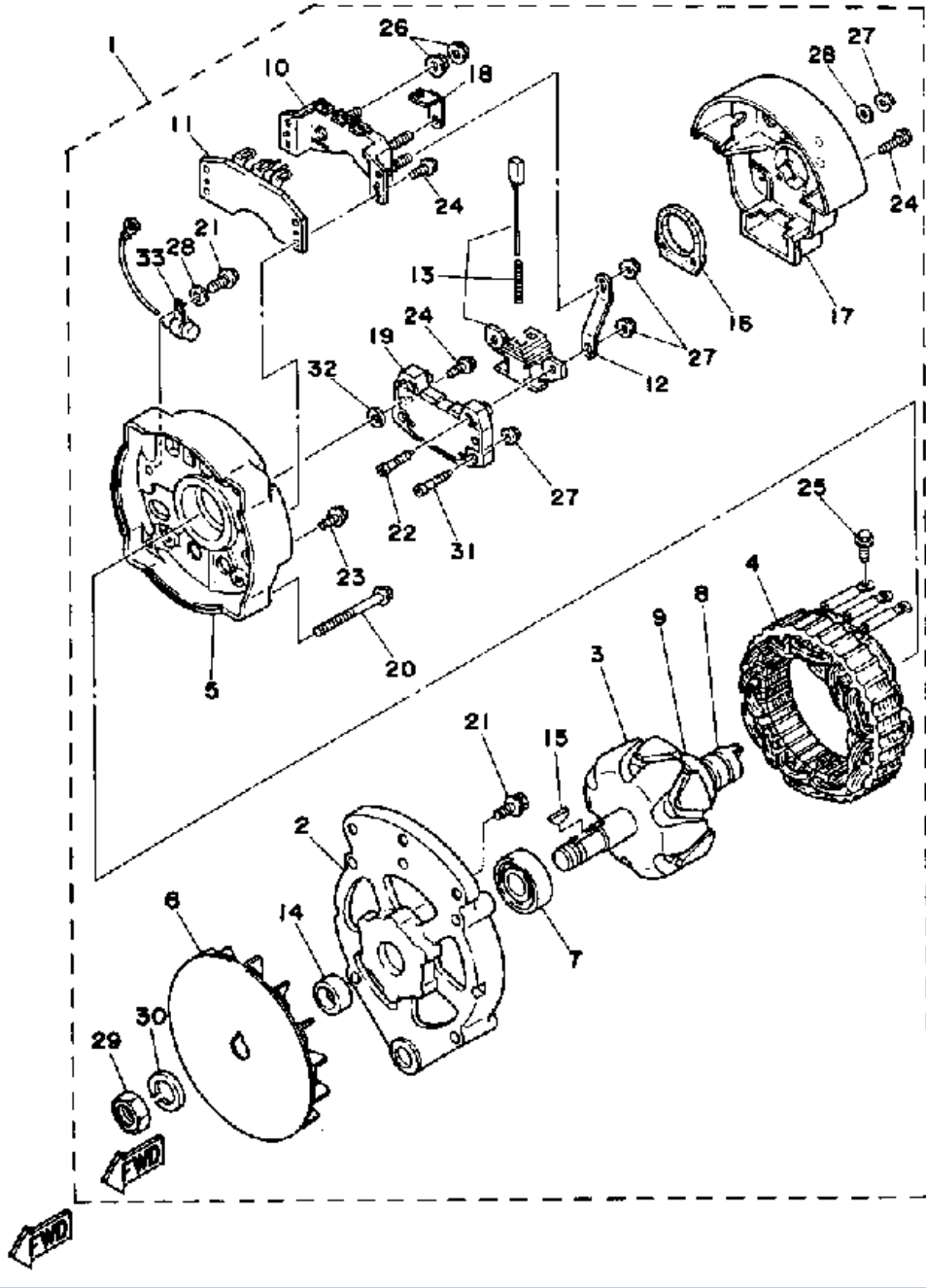
PART NUMBER	NOTE TEXT
92990-06600-00 	OEM: This part number is among the Top 100 Most Popular Marine Maintenance Parts as of February 2013.



Part List

V8_5.7_ENGINE_YEMS 1989 / ALTERNATOR

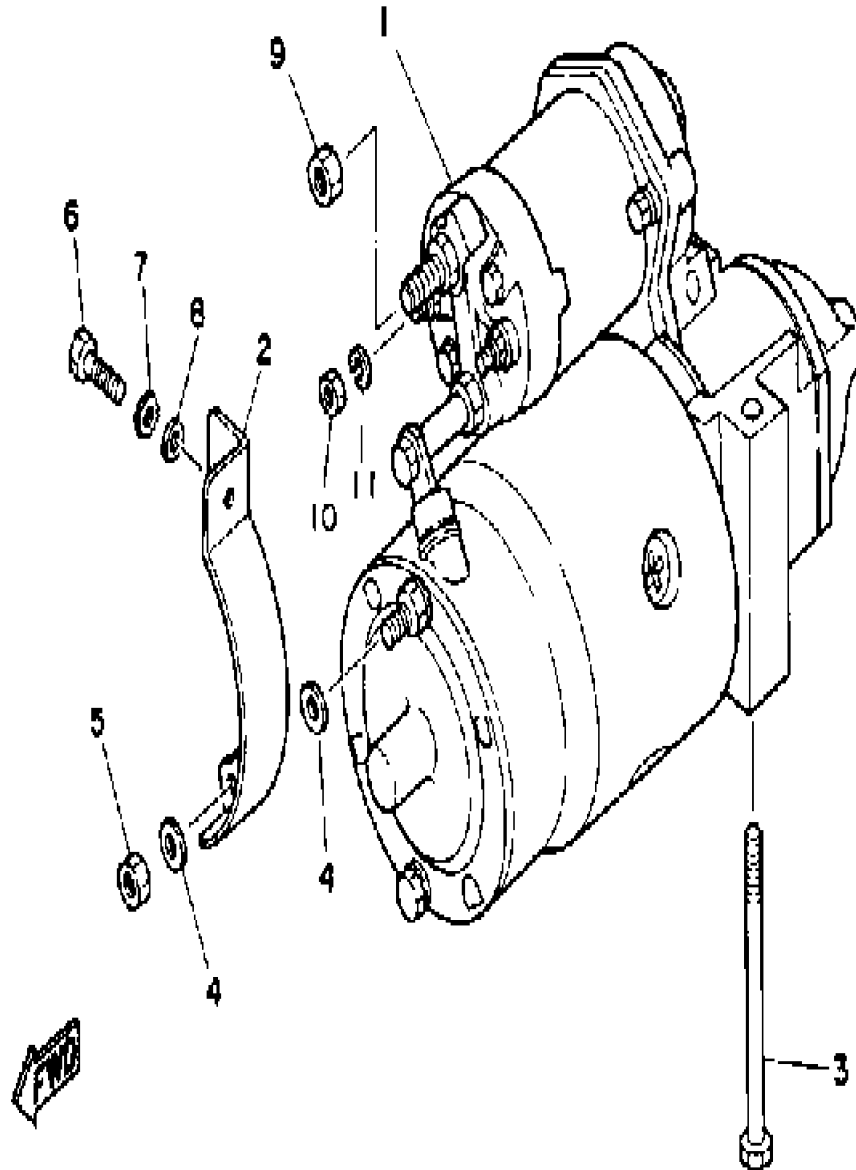
REF - NO	PART NUMBER	PART NAME	QUANTITY	REMARKS
1	YSC-10140-00-AC	ALTERNATOR ASSY	1	
2	YSC-90205-10-0C	BOLT, HEXAGON (5/16-18X1")	1	
3	YSC-92801-20-0C	WASHER, FLAT (11/32")	1	
4	YSC-93200-00-0C	WASHER, LOCK (5/16")	1	
5	YSC-90508-22-5C	BOLT, HEXAGON (1/2-13X2-1/4")	1	
6	YSC-92500-00-0C	WASHER, FLAT (1/2")	1	
7	YSC-93500-00-0C	WASHER, LOCK (1/2")	1	
8	YSC-10111-10-0C	BRACKET, ALTERNATING MOUNTING	1	
9	YSC-90308-17-5C	BOLT, HEXAGON (3/8-16X1-3/4")	1	
10	YSC-92300-00-0C	WASHER, FLAT (5/16")	1	
11	YSC-10111-20-AC	STRAP, ALTERNATING MOUNTING (YSC-10111-20-0C)	1	
12	YSC-90305-22-5C	BOLT, HEXAGON (3/8-16X2-1/4")	1	
13	YSC-90308-32-5C	BOLT, HEXAGON (3/8-16X3-1/4")	1	
14	YSC-93300-00-0C	WASHER, LOCK (3/8")	2	
15	YSC-95101-00-0C	NUT, HEXAGON (1/4-20)	1	
16	YSC-93130-00-0C	WASHER, LOCK (1/4")	1	
17	YSC-95001-00-0C	NUT, HEXAGON (#10-24)	1	
18	YSC-93030-00-0C	WASHER, LOCK (#10)	1	
19	YSC-92300-00-0C	WASHER, FLAT (5/16")	2	



Part List

V8_5.7_ENGINE_YEMS 1989 / ALTERNATOR ASSEMBLY

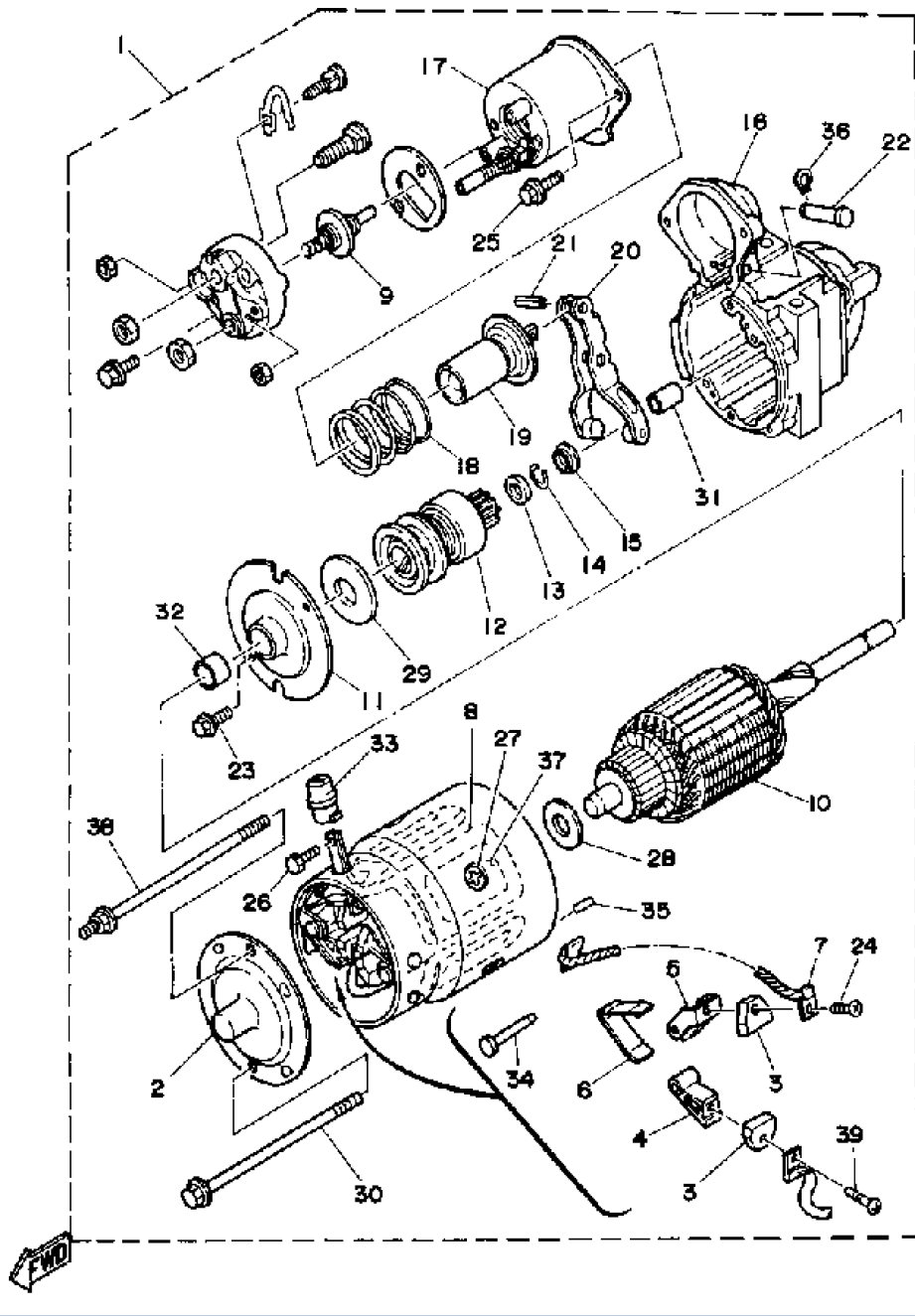
REF - NO	PART NUMBER	PART NAME	QUANTITY	REMARKS
1	YSC-10140-00-0C	ALTERNATOR ASSY	1	
2	YSC-10140-50-0C	.HOUSING, FRONT ALTERNATOR	1	
3	YSC-10140-60-0C	.ROTOR ASSY	1	
4	YSC-10140-70-0C	.STATOR ASSY	1	
5	YSC-10140-80-0C	.HOUSING, REAR	1	
6	YSC-10140-90-0C	.FAN	1	
7	YSC-10141-00-0C	.BEARING	1	
8	YSC-10141-10-0C	.SLIP RING	1	
9	YSC-10141-20-0C	.RETAINER, ROTOR BEARING	1	
10	YSC-10141-30-0C	.FIELD DIODE	1	
11	YSC-10141-40-0C	.BRIDGE RECTIFIER	1	
12	YSC-10141-50-0C	.D-STRAP	1	
13	YSC-10141-60-0C	.BRUSH ASSY	1	
14	YSC-10141-70-0C	.FAN SPACER	1	
15	YSC-10141-80-0C	.KEY	1	
16	YSC-10141-90-0C	.FELT GASKET	1	
17	YSC-10142-00-0C	.COVER ASSY	1	
18	YSC-10142-10-0C	.LUG, AC TAP	1	
19	YSC-10142-20-0C	.VOLTAGE REGULATOR	1	
20	YSC-10142-30-0C	.BOLT, THRU (10-32X230")	4	
21	YSC-10142-40-0C	.BOLT, THRU (10-32X1/2")	4	
22	YSC-10142-50-0C	.SCREW (10-24X7/8")	2	
23	YSC-10142-60-0C	.SCREW, TAPPING (10- 24X3/8")	1	
24	YSC-10142-70-0C	.SCREW, TAPPING (10- 32X5/8")	8	
25	YSC-10142-80-0C	.SCREW, TAPPING (8- 32X5/16")	3	
26	YSC-10142-90-0C	.NUT, HEXAGON (1/4- 20X7/16")	2	
27	YSC-10143-00-0C	.LOCK NUT, HEXAGON (10- 24X3/8")	6	
28	YSC-10143-10-0C	.WASHER, FLAT (#10)	3	
29	YSC-10143-20-0C	.NUT, PULLEY MOUNTING	1	
30	YSC-10143-30-0C	.WASHER, SPLIT LOCK (5/8")	1	
31	YSC-10143-40-0C	.SCREW (10-24X3/4")	1	
32	YSC-10143-50-0C	.WASHER, INSULATOR	2	
33	YSC-10140-10-0C	.CAPACITOR, 5 MFD, KIT	1	



Part List

V8_5.7_ENGINE_YEMS 1989 / STARTING MOTOR

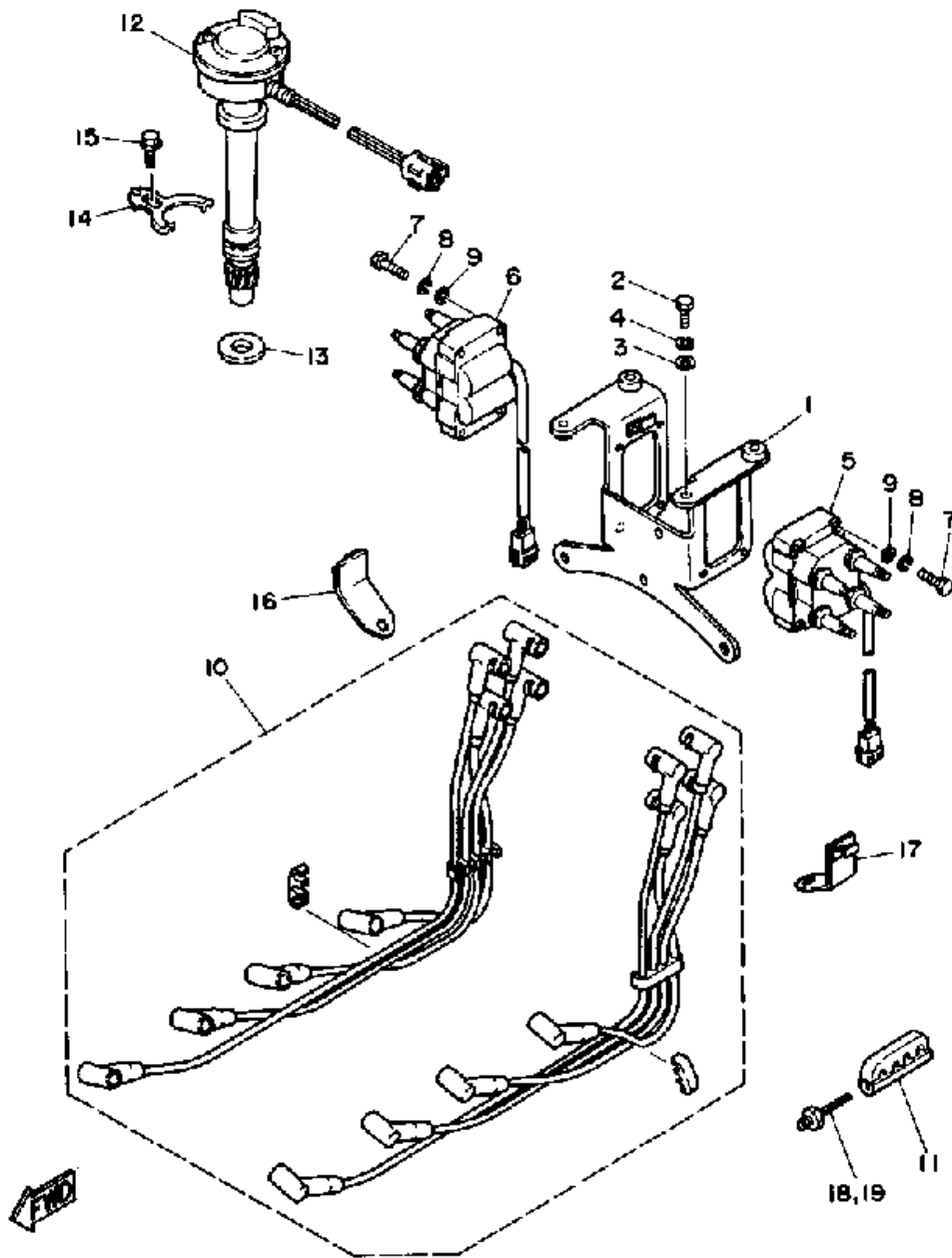
REF - NO	PART NUMBER	PART NAME	QUANTITY	REMARKS
1	YSC-10130-00-0C	STARTER ASSY	1	
2	YSG-39655-89-G0	STAY, STARTER MOTOR REAR	1	
3	YSG-14057-09-9G	BOLT, STARTER MOTOR MOUNTING	2	
4	YSC-92100-00-0C	WASHER, FLAT (1/4")	2	
5	YSC-95102-00-0C	NUT, HEXAGON (1/4-20)	1	
6	YSC-90205-06-3C	BOLT, HEXAGON (5/16- 18X5/8")	1	
7	YSC-94200-00-0C	WASHER, EXTERNAL TOOTH (5/16")	1	
8	YSC-92200-00-0C	WASHER, FLAT (5/16")	1	
9	YSC-95912-00-0C	NUT, HEXAGON (M10X1.5 BRASS)	1	
10	YSC-95902-00-0C	NUT, HEXAGON (M5X0.8 BRASS)	1	
11	YSC-93903-00-0C	WASHER, LOCK (M5)	1	



Part List

V8_5.7_ENGINE_YEMS 1989 / STARTING MOTOR ASSEMBLY

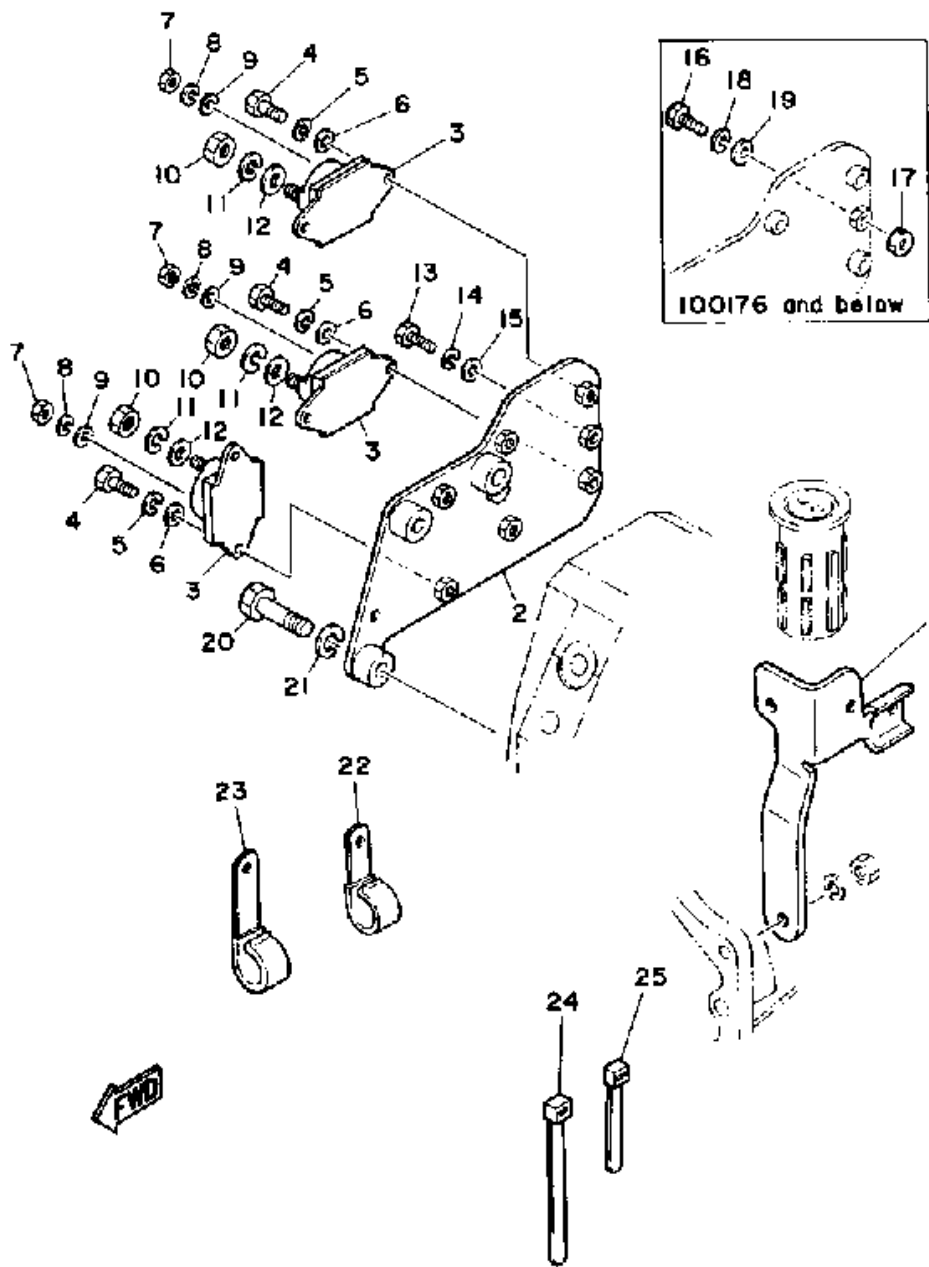
REF - NO	PART NUMBER	PART NAME	QUANTITY	REMARKS
1	YSC-10130-00-0C	STARTER ASSY	1	
2	YSC-10130-10-0C	.FRAME, COMMUTATOR END	1	
3	YSC-10130-20-0C	.BRUSH	4	
4	YSC-10130-30-0C	.HOLDER, BRUSH GROUND	2	
5	YSC-10130-40-0C	.HOLDER, BRUSH INSULATED	2	
6	YSC-10130-50-0C	.SPRING, BRUSH	2	
7	YSC-10130-70-0C	.LEAD, BRUSH GROUND	2	
8	YSC-10130-80-0C	.FIELD COIL ASSY (4 COILS)	1	
9	YSC-10130-90-0C	.CONTACT ASSY	1	
10	YSC-10131-00-0C	.ARMATURE	1	
11	YSC-10131-10-0C	.CENTER BEARING PLATE	1	
12	YSC-10131-20-0C	.DRIVE ASSEMBLY	1	
13	YSC-10131-30-0C	.COLLAR, PINION STOP DRIVE END	1	
14	YSC-10131-40-0C	.RING, PINION STOP	1	
15	YSC-10131-50-0C	.WASHER, THRUST DRIVE END	1	
16	YSC-10131-60-0C	.HOUSING, DRIVE	1	
17	YSC-10131-70-0C	.SOLENOID SWITCH	1	
18	YSC-10131-80-0C	.SPRING, PLUNGER RETURN	1	
19	YSC-10131-90-0C	.PLUNGER	1	
20	YSC-10132-00-0C	.LEVER, SHIFT	1	
21	YSC-10132-10-0C	.PIN, PLUNGER	1	
22	YSC-10132-20-0C	.STUD, SHIFT LEVER	1	
23	YSC-10132-50-0C	.SCREW & LOCK, CENTER BEARING	2	
24	YSC-10132-60-0C	.SCREW, INSULATED BRUSH ATTACHING	2	
25	YSC-10132-70-0C	.SCREW, SUPPORT ATTACHING	2	
26	YSC-10132-80-0C	.SCREW, FIELD LEAD ATTACHING	1	
27	YSC-10132-90-0C	.SCREW, POLE SHOE	4	
28	YSC-10133-10-0C	.WASHER, BRAKE COMMUTATOR END	1	
29	YSC-10133-20-0C	.WASHER	1	
30	YSC-10133-30-0C	.THRU BOLT	1	
31	YSC-10133-40-0C	.BUSHING, DRIVE END	1	
32	YSC-10133-50-0C	.BUSHING, CENTER BEARING	1	
33	YSC-10133-60-0C	.GROMMET (IN FIELD FRAME)	1	
34	YSC-10133-70-0C	.PIN, SUPORT ATTACHING	2	
35	YSC-10133-80-0C	.PIN, DOWEL DRIVE END	1	
36	YSC-10133-90-0C	.RING, RETAINING SHIFT LEVER	1	
37	YSC-10134-00-0C	.POLE SHOE	4	
38	YSC-10134-10-0C	.THRU BOLT, WITH EXTENSION	1	
39	YSC-10134-20-0C	.SCREW, GROUND BRUSH ATTACHING	2	



Part List

V8_5.7_ENGINE_YEMS 1989 / ELECTRIC PARTS 1

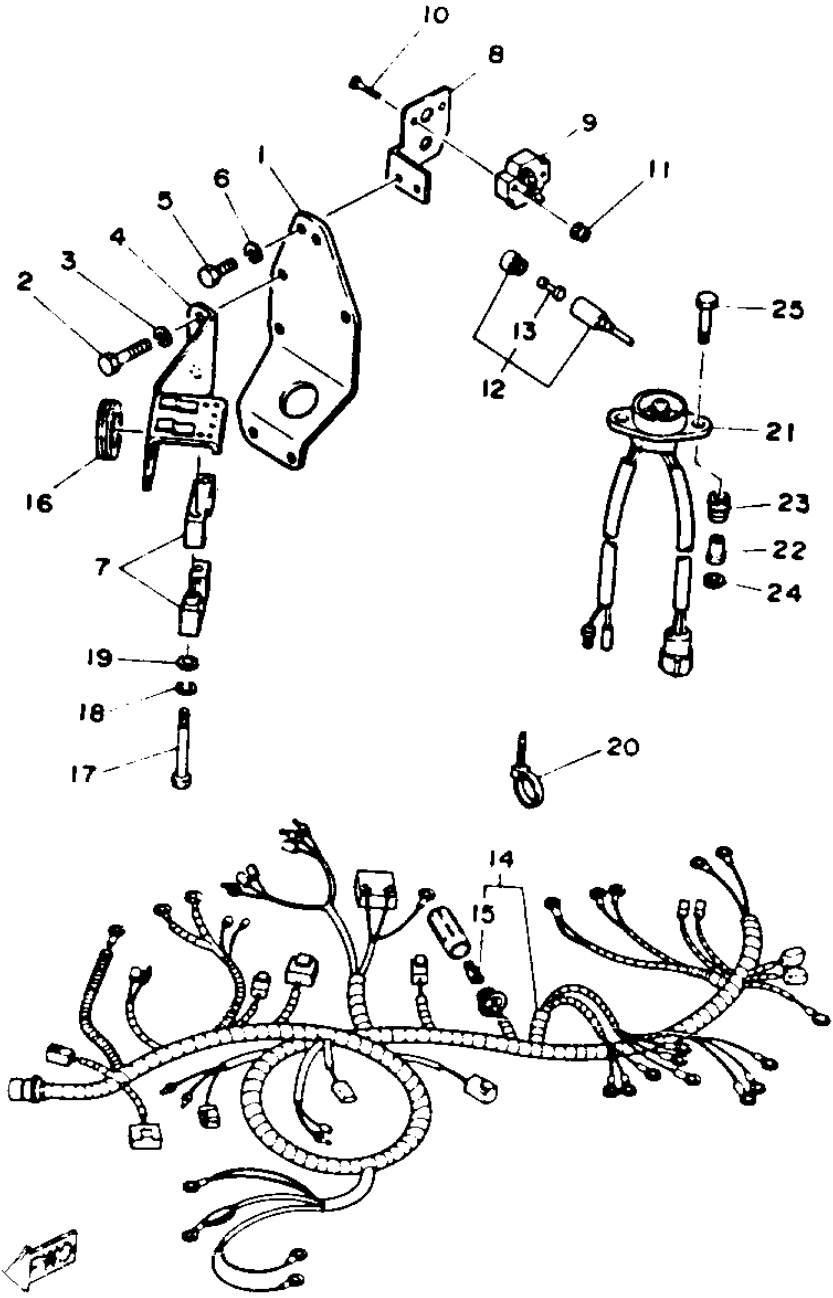
REF - NO	PART NUMBER	PART NAME	QUANTITY	REMARKS
1	YSC-10111-60-BC	BRACKET ASSY	1	
2	YSC-90205-10-0C	BOLT, HEXAGON (5/16-18X1")	2	
3	YSC-92200-00-0C	WASHER, FLAT (5/16")	2	
4	YSC-93200-00-0C	WASHER, LOCK (5/16")	2	
5	6T0-82310-00-00	COIL, IGNITION (CYL 1, 4, 6 & 7)	1	
6	6T0-82320-00-00	COIL, IGNITION (CYL 2, 3, 5 & 8)	1	
7	YSC-90005-12-5C	BOLT, HEXAGON (#10-32X1-1/4")	8	
8	YSC-93000-00-0C	WASHER, LOCK (#10)	8	
9	YSC-92000-00-0C	WASHER, FLAT (#10)	8	
10	6T0-82340-00-00	WIRE SET, IGNITION	1	
11	YSC-10120-70-0C	RETAINER, IGNITION WIRE	3	
12	6T0-81670-00-00	PULSER, REVOLUTION PICK-UP	1	
13	YSG-10108-44-5G	GASKET, DISTRIBUTOR HOLE (YSG-10066-01-8G)	1	
14	YSG-14007-38-5G	CLAMP, DISTRIBUTOR HOLD-DOWN	1	
15	YSC-10123-10-0C	BOLT, HEXAGON (3/8-16X1")	1	
16	YSC-10112-00-0C	BRACKET ASSY (RIGHT)	1	
17	YSC-10112-10-0C	BRACKET ASSY (LEFT)	1	
18	YSC-10111-90-0C	BOLT & ROLL PIN ASSY (5/8")	2	SHORT
19	YSC-10111-91-0C	BOLT & ROLL PIN ASSY (1")	1	LONG



Part List

V8_5.7_ENGINE_YEMS 1989 / ELECTRIC PARTS 2

REF - NO	PART NUMBER	PART NAME	QUANTITY	REMARKS
1	YSC-10111-40-0C	BRACKET (100A FUSE)	1	
2	YSC-10111-70-BC	BRACKET, RELAY SOLENOID	1	
3	YSC-10122-40-0C	SOLENOID, RELAY	3	
4	YSC-90105-07-5C	BOLT, HEXAGON (1/4-20X3/4")	6	
5	YSC-93100-00-0C	WASHER, LOCK (1/4")	6	
6	YSC-92100-00-0C	WASHER, FLAT (1/4")	6	
7	YSC-95200-00-0C	NUT, HEXAGON (5/6-18 BRASS)	6	
8	YSC-93230-00-0C	WASHER, LOCK (5/16")	6	
9	YSC-92211-10-0C	WASHER, FLAT (5/16" BRASS)	6	
10	YSC-95011-00-0C	NUT, HEXAGON (#10-32 BRASS)	6	
11	YSC-93030-00-0C	WASHER, LOCK (#10)	6	
12	YSC-92011-10-0C	WASHER, FLAT (#10)	6	
13	YSC-90205-06-3C	BOLT, HEXAGON (5/16-18X5/8")	1	100177~
14	YSC-93300-00-0C	WASHER, LOCK (3/8")	1	100177~
15	YSC-92300-00-0C	WASHER, FLAT (5/16")	1	100177~
16	YSC-90105-10-0C	BOLT, HEXAGON (1/4-20X1")	1	~100176
17	YSC-95102-00-0C	NUT, HEXAGON (1/4-20)	1	~100176
18	YSC-93100-00-0C	WASHER, LOCK (1/4")	1	~100176
19	YSC-92102-00-0C	WASHER, FLAT 1/4	1	~100176
20	YSC-90305-15-0C	BOLT, HEXAGON (3/8-16X1-1/2")	3	
21	YSC-93300-00-0C	WASHER, LOCK (3/8")	3	
22	YSC-10112-30-0C	CLAMP, WIRE HARNESS (3/4")	2	
23	YSC-10120-90-0C	CLAMP, WIRE HARNESS (1/2")	1	
24	YSC-10122-60-0C	TIE WRAP (5-3/8")	12	
25	YSC-10122-70-0C	TIE WRAP	3	



Part List

V8_5.7_ENGINE_YEMS 1989 / ELECTRIC PARTS 3

REF - NO	PART NUMBER	PART NAME	QUANTITY	REMARKS
1	YSC-10161-50-0C	BRACKET, FUEL FILTER MOUNTING	1	
2	YSC-90305-10-0C	BOLT, HEXAGON (3/8-16X1")	3	
3	YSC-93300-00-0C	WASHER, LOCK (3/8")	3	
4	YSC-10111-80-0C	BRACKET, 9-PIN ROUND CONNECTOR	1	
5	YSC-90105-10-0C	BOLT, HEXAGON (1/4-20X1")	2	
6	YSC-93100-00-0C	WASHER, LOCK (1/4")	2	
7	YSC-10111-30-0C	ANCHOR, 9-PIN ROUND CONNECTOR	2	
8	YSC-10112-20-BC	BRACKET, CIRCUIT BREAKER	1	
9	YSC-10120-40-0C	CIRCUIT BREAKER (60A)	1	
10	YSC-91001-08-8C	BOLT, SLOT PAN (#10- 24X1/8")	2	
11	YSC-96000-00-0C	NUT (#10-32 KEPS)	1	
12	YSC-10122-20-AC	FUSE HOLDER (10A)	1	
13	YSC-10122-30-0C	.FUSE (10A)	1	
14	YSC-10150-00-AC	WIRE HARNESS ASSY	1	
15	6T0-82151-00-00	.FUSE (100A)	1	
16	YSC-10121-30-0C	GROMMET, 9-PIN ROUND CONNECTOR	1	
17	YSC-90105-25-0C	BOLT, HEXAGON (1/4-20X2- 1/2")	2	
18	YSC-93100-00-0C	WASHER, LOCK (1/4")	2	
19	YSC-92100-00-0C	WASHER, FLAT (1/4")	2	
20	YSC-10122-60-0C	TIE WRAP (5-3/8")	2	
21	6T0-83677-00-00	TRIM CONTROL UNIT	1	
22	624-42542-00-00	PIPE	2	
23	6A0-82317-00-00	DAMPER, IGNITION COIL	2	
24	90201-06M62-00	WASHER, PLATE	2	
25	YSC-90105-10-0C	BOLT, HEXAGON (1/4-20X1")	2	

FRESH WATER COOLING KIT

MODEL		V6 4.3 EST	V6 4.3 YEMS	V8 5.0/5.7 ALL	
KIT NUMBER		YSC-20000-00-0C	YSC-19000-00-0C	YSC-17000-00-0C	
ITEM	PART NUMBER		QTY	DESCRIPTION	REMARKS
	V8, V8 YEMS	V6, V6 YEMS			
1	YSC-10082-30-0C		1	CLAMP, HOSE RETAINING	
2	YSC-10090-00-AC		1	THERMOSTAT, 143°F	
3	YSC-10091-20-0C		4	CLAMP, HOSE END CONNECTING (#16)	
4	YSC-10091-30-0C		10	CLAMP, HOSE END CONNECTING (#20)	
5	YSC-10091-40-0C		2	CLAMP, HOSE END CONNECTING (#16)	
6	YSC-10091-50-0C		1	CLAMP, HOSE RETAINING	
7	YSC-10091-60-0C		7 (5)	TIE WRAP, 5-3/8" LONG BLACK	(NON-YEMS ENGINE)
8	YSC-10122-70-0C		3 (1)	TIE WRAP, 15" BLACK	(NON-YEMS ENGINE)
9	YSC-10161-20-BC		1	FUEL LINE ASS'Y, PUMP TO CARB.	
10	YSC-17091-90-0C		1	CAP, RADIATOR	
11	YSC-10080-00-0C		2	GASKET, THERMOSTAT HOUSING	
12	YSC-17081-30-0C		1	HOUSING THERMOSTAT	
13	YSC-17081-40-0C		1	COVER, THERMOSTAT HOUSING	
14	YSC-17081-60-0C	YSC-19081-60-0C	1	HOSE, HEAT EXCH/MIX ELBOW RIGHT	
15	YSC-17081-61-0C	YSC-19081-60-0C	1	HOSE, HEAT EXCH/MIX ELBOW LEFT	
16	YSC-17081-70-0C		1	HOSE, OIL COOLER/HEAT EXCH.	
17	YSC-17081-80-0C		1	HOSE, HEAT EXCH./CIRC. PUMP	
18	YSC-17081-90-0C	YSC-19081-90-0C	1	HOSE, MIX, ELBOW/HEAT EXCH. LEFT	
19	YSC-17081-91-0C	YSC-19081-91-0C	1	HOSE, MIX, ELBOW/HEAT EXCH. RIGHT	
20	YSC-17082-00-0C	YSC-19082-00-0C	1	HOSE, SEAT COVER/EXCH. MAN. LEFT	
21	YSC-17082-01-0C		1	HOSE, SEAT COVER/EXCH. MAN. RIGHT	
22	YSC-17082-91-0C	YSC-19082-91-0C	1	ASSEMBLY, HEAT EXCHANGER	INCLUDING CAP, CUSHION AND STRIP
23	YSC-17083-00-0C		1	SUPPORT/HEAR EXCHANGER	
24	YSC-17083-30-0C		1	BRACKET ASM., DIAGN. GROUND LEAD	YEMS ENGINE ONLY
25	YSC-17083-40-0C		1	HOSE, REMOTE COOLANT RECOVERY	
26	YSC-17092-00-0C		1	CLAMP, HEAT EXCHANGER MOUNTING	
27	YSC-17092-10-0C		1	TANK, REMOTE COOLANT RECOVERY	
28	YSC-17092-20-0C		1	CAP, 5/16" VINYL	
29	YSC-17092-30-0C		2	CLAMP, REMOTE COOLANT RECOVERY	
30	YSC-17150-10-0C		2	LEAD ASM. 1, DIAGNOSTIC GROUND	YEMS ENGINE ONLY
31	YSC-17150-11-0C		1	LEAD ASM. 2, DIAGNOSTIC GROUND	YEMS ENGINE ONLY
32	YSC-17150-12-0C		1	LEAD ASM. 3, DIAGNOSTIC GROUND	YEMS ENGINE ONLY
33	YSC-17281-50-0C		1	HANGER, ENGINE FRONT	
34	YSC-17281-70-0C		1	HANGER, ENGINE SETTING	
35	YSC-90308-23-8C		2	BOLT, HEX 3/8-16 X 2-3/8" GR8	STAT HOUSING & SUPPORT MOUNTING
36	YSC-90308-17-5C		4	BOLT, HEX 3/8-16 X 1-3/4" GR8	2 FOR ENGINE HANGER, 2 FOR HOSE CLAMP
37	YSC-90305-15-0C		2	BOLT, HEX 3/8-16 X 1-1/2"	STAT HOUSING COVER MOUNTING
38	YSC-93300-00-0C		8	WASHER, 3/8 LOCK	
39	6T9-14643-00-00		2	GASKET, EXHAUST	
40	YSC-22287-00-0C		2	GASKET, HEAT EXCHANGER CAP	

