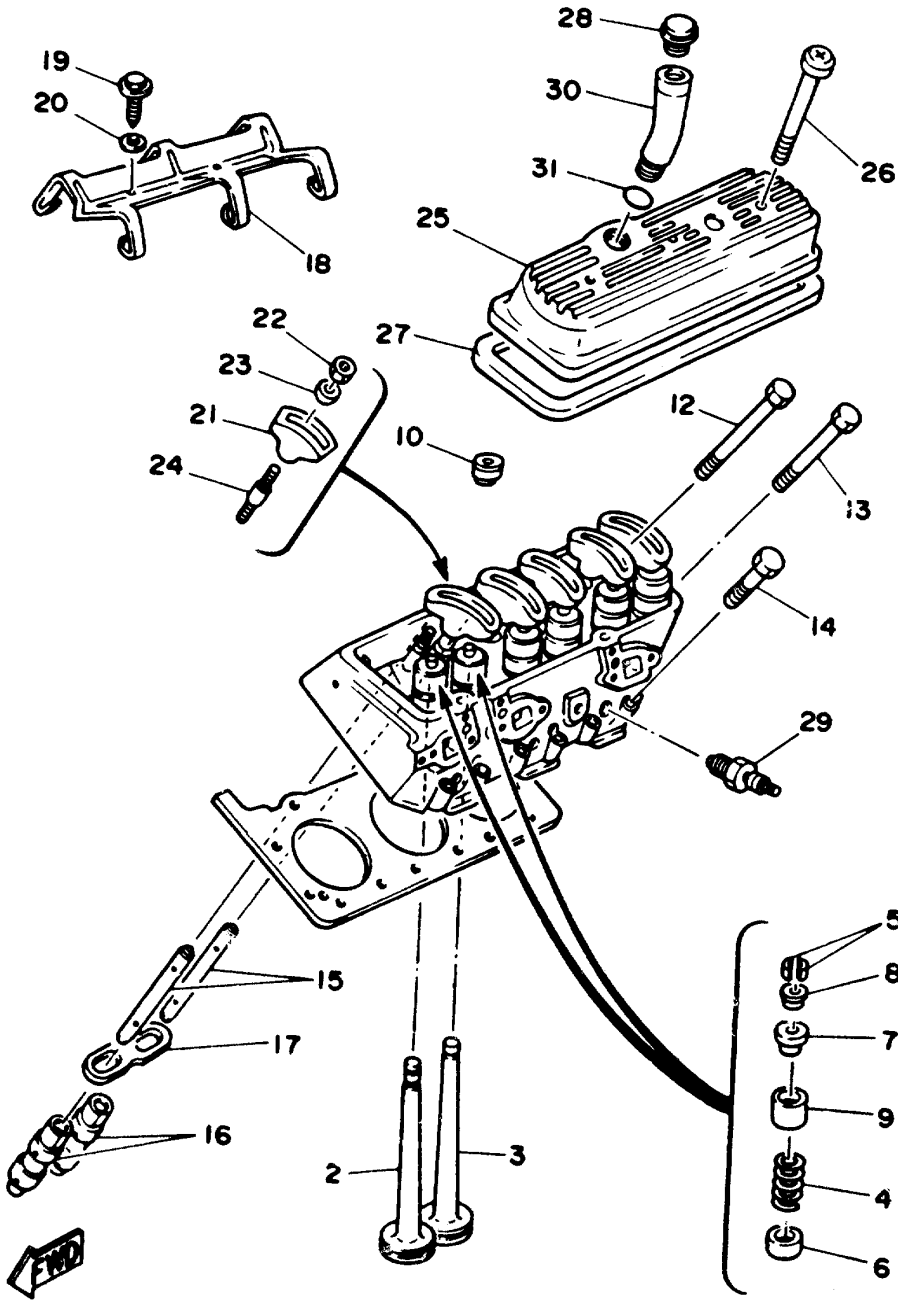


Part List

V6_4.3_ENGINE_EST 1990 / CYLINDER - CAMSHAFT

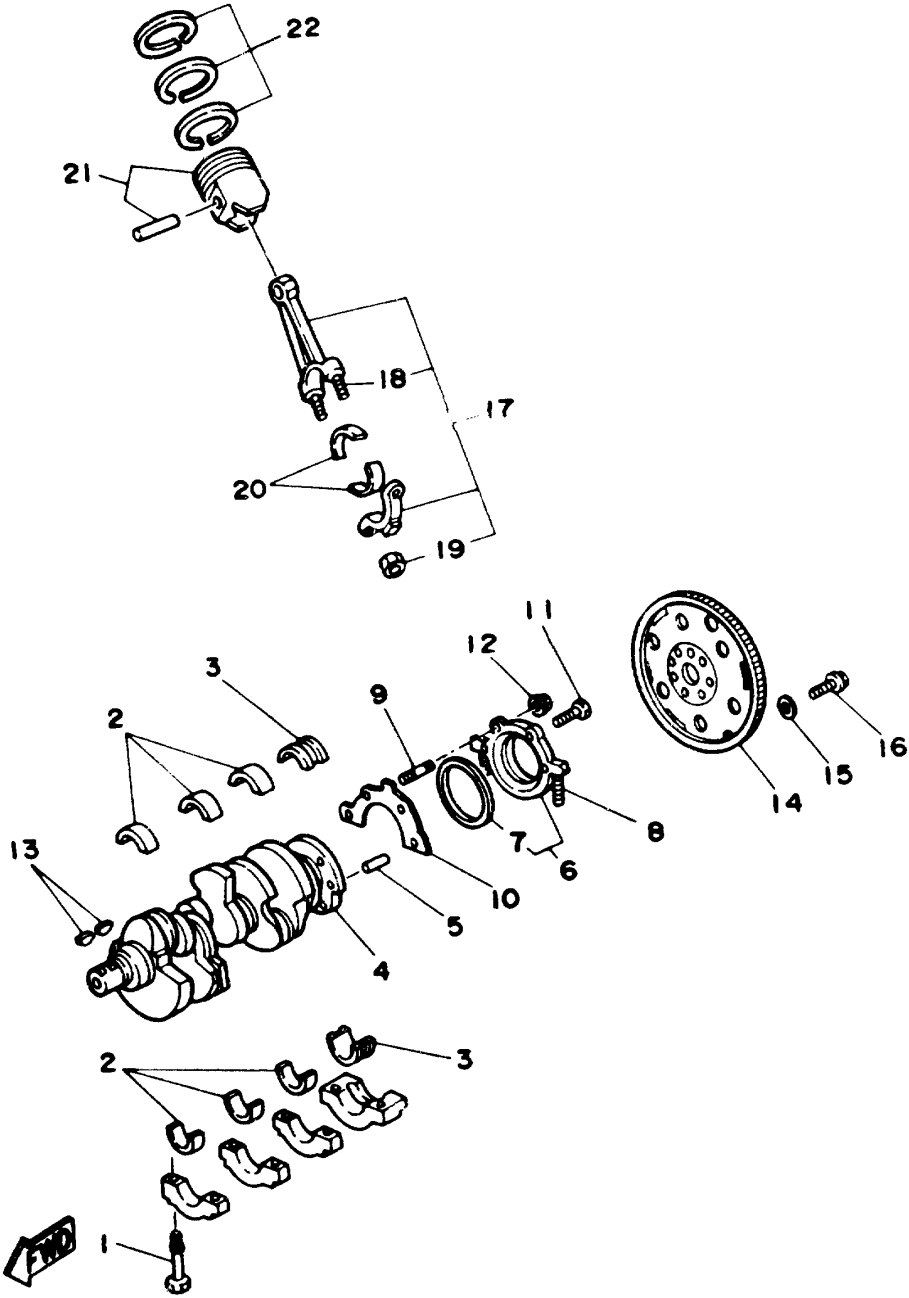
REF - NO	PART NUMBER	PART NAME	QUANTITY	REMARKS
1	YSG-10104-42-5G	CYLINDER & CASE ASSY	1	
2	YSG-38265-04-G0	PLUG, WATER JACKET	8	
3	YSG-46134-5G-00	PLUG	1	
4	YSG-14090-91-1G	PLUG ASSY, MAIN OIL GALLERY	1	
5	YSG-14091-56-3G	PLUG	1	
6	YSG-38369-03-G0	PIN	2	
7	YSG-14096-23-3G	CAMSHAFT ASSEMBLY	1	
7	YSG-38369-03-G0	PIN	1	
8	YSG-47400-5G-00	BEARING, CAMSHAFT (#1)	1	
9	YSG-47400-6G-00	BEARING, CAMSHAFT (#2 & RR)	2	
10	YSG-47400-7G-00	BEARING, CAMSHAFT (#3 & 4)	1	
11	YSG-14096-26-2G	SPROCKET, CAMSHAFT	1	
12	YSG-14088-78-4G	SPROCKET, CRANKSHAFT	1	
13	YSG-94248-77-G0	BOLT	3	
14	YSG-14088-78-3G	CHAIN, CAMSHAFT DRIVE	1	
15	YSG-14093-63-6G	RETAINER, CAMSHAFT	1	
16	YSG-14093-63-7G	BOLT	2	
17	YSC-10201-50-0C	DRAIN COCK, EXHAUST MANIFOLD	2	
18	YSC-10221-30-0C	PLUG, CYLINDER CASE OIL TUBE	1	
19	YSC-14124-10-0C	ADAPTER, OIL PRESSURE SWITCH	1	
20	YSC-10230-20-0C	PLUG, HEXAGON (18" NPT BRASS)	1	
21	YSC-10120-20-0C	SWITCH, OIL PRESSURE	1	



Part List

V6_4.3_ENGINE_EST 1990 / CYLINDER HEAD - VALVE

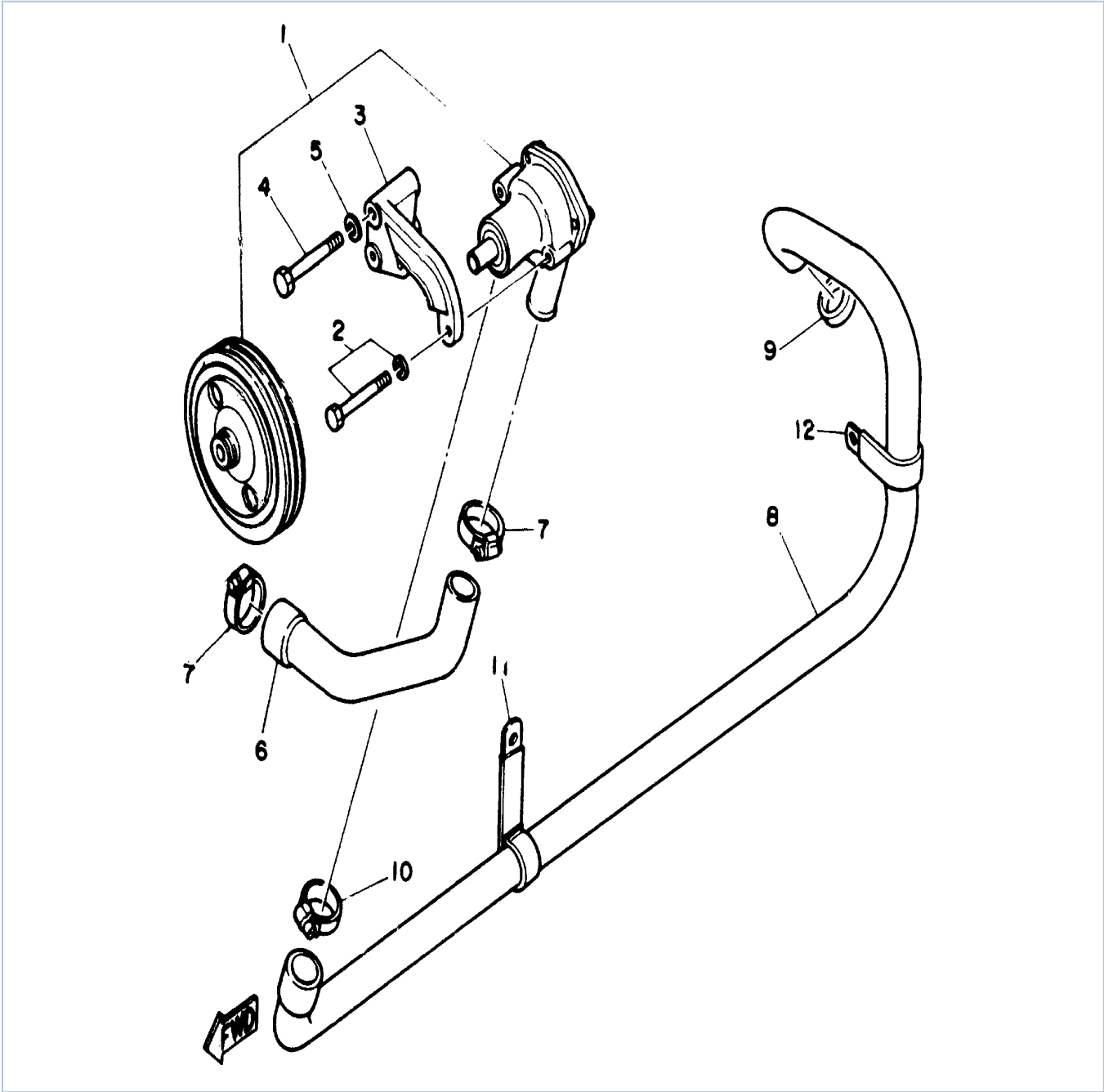
REF - NO	PART NUMBER	PART NAME	QUANTITY	REMARKS
1	YSG-10065-21-8G	HEAD - CYLINDER	2	
2	YSG-14034-07-9G	VALVE, INTAKE	6	AP
2	YSG-14025-57-3G	VALVE, INTAKE	6	
3	YSG-14095-45-1G	VALVE, EXHAUST (STD)	6	AP
3	YSG-14095-46-0G	VALVE, EXHAUST (.0155 OS)	6	AP
4	YSG-39110-68-G0	SPRING & DAMPER ASSY	12	
5	YSG-39477-70-G0	KEY, VALVE STEM	24	
6	YSG-46048-3G-00	SEAL	6	
7	YSG-38353-33-G0	SEAL, VALVE STEM OIL	12	
8	YSG-10007-81-8G	SHIELD, VALVE STEM OIL	12	
9	YSG-14042-57-5G	ROTATOR ASSY, EXHAUST VALVE	6	
10	YSG-14003-97-4G	CAP	6	
11	YSG-14096-79-8G	GASKET, CYLINDER HEAD (YSG-14096-40-3G)	2	
12	YSG-14082-31-7G	BOLT	10	
13	YSG-14082-31-6G	BOLT	4	
14	YSG-14082-31-5G	BOLT	12	
15	YSG-10046-17-3G	PUSH ROD ASSY	12	
16	YSG-52348-90-G0	LIFTER ASSY, HYD VALVE	12	
17	YSG-14093-63-4G	RESTRICTOR VALVE FILTER	6	
18	YSG-10046-16-5G	RETAINER	1	
19	YSG-18007-5G-00	BOLT	2	
20	YSG-12038-6G-00	WASHER	2	
21	YSG-10089-64-8G	ARM, VALVE ROCKER	12	
22	YSG-37443-41-G0	NUT, VALVE ROCKER ARM	12	
23	YSG-39591-42-G0	BALL, VALVE ROCKER ARM	12	
24	YSG-38158-92-G0	STUD	6	UR
24	YSG-38146-92-G0	STUD	6	UR
25	YSG-14091-55-3G	COVER ASSY, VALVE ROCKER (LEFT)	1	
25	YSG-10046-19-3G	COVER ASSY, VALVE ROCKER (LEFT)	1	
26	YSG-10066-00-8G	BOLT	6	
27	YSG-14081-25-7G	GASKET, VALVE ROCKER COVER	2	
28	YSG-12334-50-6G	CAP ASSY (YSG-25060-17- 6G)	2	
28	YSG-14094-76-4G	CAP, OIL FILL RISER	2	
29	NGK-BR6FS-00-00	SPARK PLUG (NGK BR6FS)	6	
30	YSC-10221-51-0C	ENGINE OIL FILL RISER	1	
31	YSC-10231-60-0C	O-RING	1	
31	YSC-12221-80-0C	GASKET, OIL FILL RISER (LEFT)	1	



Part List

V6_4.3_ENGINE_EST 1990 / CRANK - PISTON

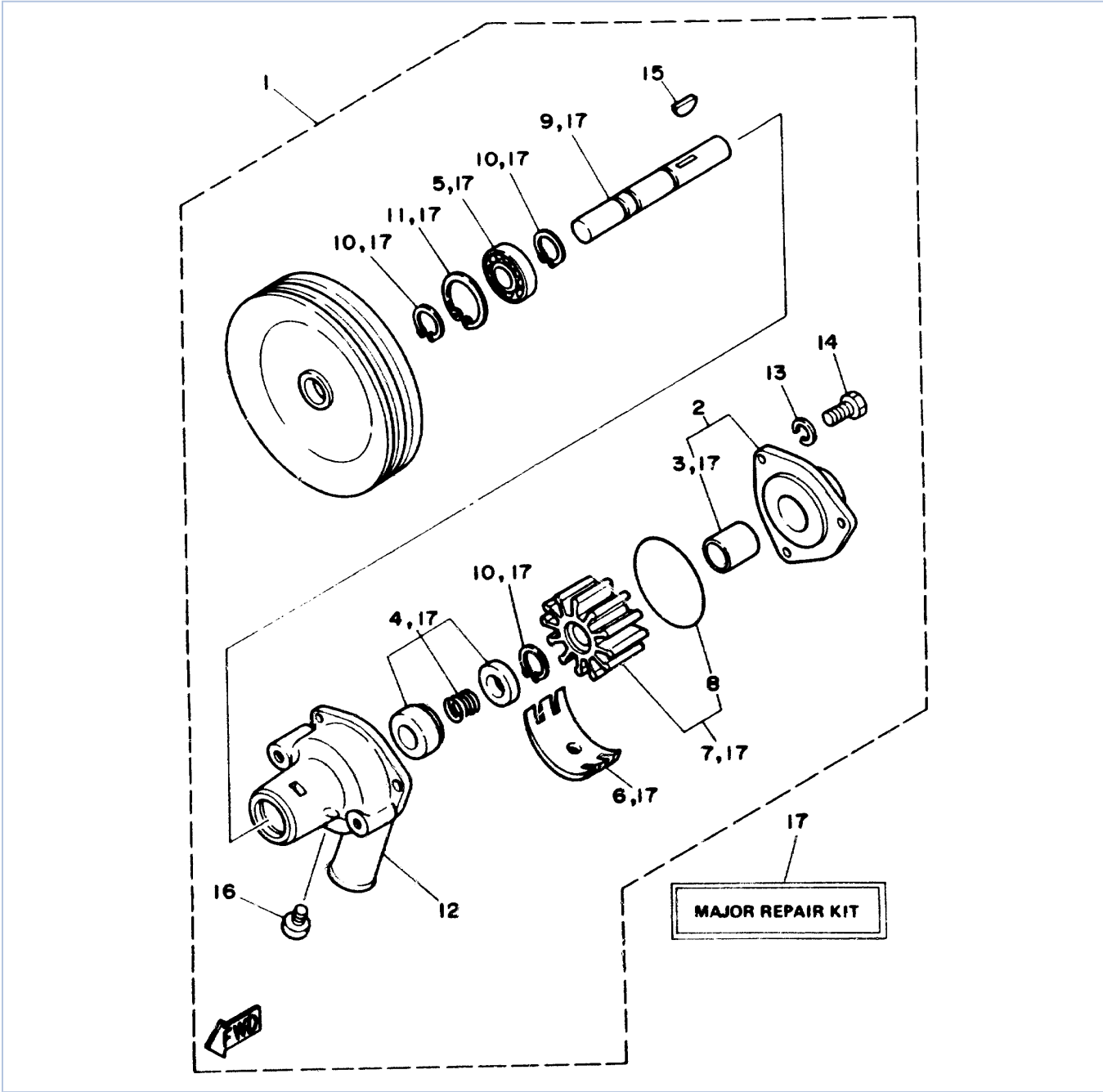
REF - NO	PART NUMBER	PART NAME	QUANTITY	REMARKS
1	YSG-39324-80-G0	BOLT, CRANKSHAFT BEARING CAP	8	
2	YSG-12329-42-9G	BEARING UNIT-CRANKSHAFT MAIN	3	AP .020 US
2	YSG-12329-42-8G	BEARING UNIT-CRANK MAIN, REAR	3	AP .010 US
2	YSG-12329-75-7G	BEARING UNIT-CRANKSHAFT MAIN	3	AP .001 US
2	YSG-12329-75-6G	BEARING UNIT-CRANKSHAFT MAIN	3	STD
3	YSG-12329-79-4G	BEARING UNIT-CRANK MAIN, REAR	1	AP .020 US
3	YSG-12329-79-0G	BRG UNITCRANK MAIN, REAR (YSG-12329-79-G)	1	STD
3	YSG-12329-79-1G	BEARING UNIT-CRANK MAIN, REAR	1	AP .001 US
3	YSG-12329-79-3G	BEARING UNIT-CRANK MAIN, REAR	1	AP .010 US
4	YSG-14088-63-9G	CRANKSHAFT ASSY	1	
5	YSG-37016-79-G0	PIN	1	
6	YSG-14088-55-6G	RETAINER ASSY	1	
7	YSG-14088-55-9G	.SEAL	1	
8	YSG-14080-36-2G	STUD	2	
9	YSG-14101-05-8G	STUD	1	
10	YSG-14101-06-0G	GASKET	1	
11	YSG-14088-56-2G	BOLT	1	
12	YSG-94399-15-G0	NUT	1	
13	YSG-10675-1G-00	KEY	2	
14	YSG-14096-02-1G	FLYWHEEL ASSY	1	
15	YSG-49234-6G-00	WASHER	1	
16	YSG-83975-6G-00	BOLT, FLYWHEEL	6	
17	YSG-14077-94-4G	CON-ROD ASSY	6	
18	YSG-14077-94-1G	.BOLT	2	
19	YSG-22585-4G-00	.NUT, CONNECTING ROD	2	
20	YSG-18012-48-1G	BEARING UNIT-CON ROD	6	STD
20	YSG-18012-48-2G	BEARING UNIT-CON ROD (0.014MM)	6	AP (.014MM)
21	YSG-10049-07-5G	PISTON ASSY	6	AP (.030 OS)
21	YSG-10049-07-3G	PISTON ASSY	6	STD
22	YSG-14089-02-6G	PISTON RING	6	AP (.030 OS)
22	YSG-14089-02-5G	PISTON RING	6	STD



Part List

V6_4.3_ENGINE_EST 1990 / WATER PUMP

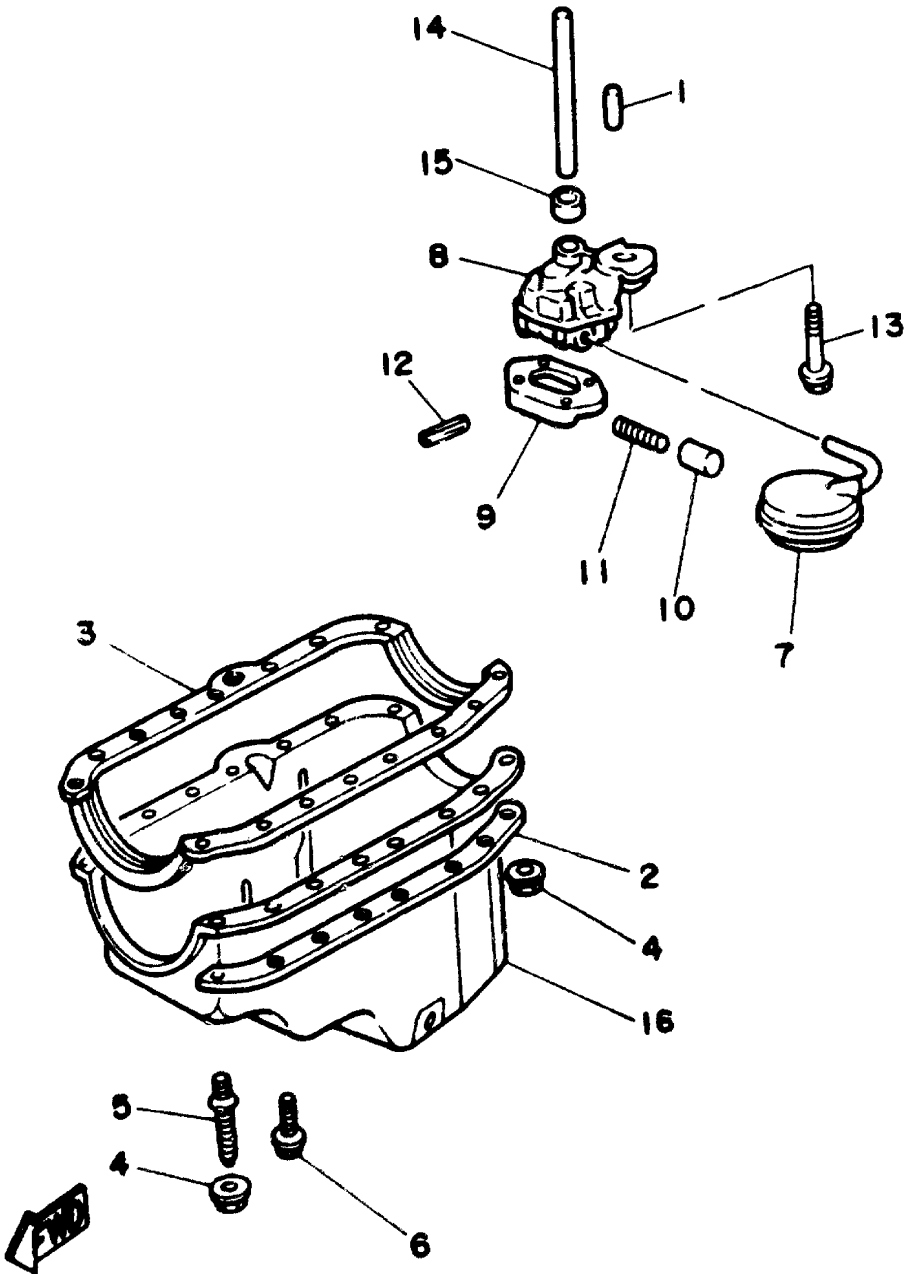
REF - NO	PART NUMBER	PART NAME	QUANTITY	REMARKS
1	YSC-10330-00-0C	PUMP ASSY, RAW WATER	1	
2	YSC-10091-60-0C	BOLT ASSY, HEXAGON (5/16-18X1")	2	
3	YSC-10081-10-0C	BRACKET, RAW WATER PUMP	1	
4	YSC-90308-32-5C	BOLT, HEXAGON (3/8-16X3- 1/4")	2	
5	YSC-93300-00-0C	WASHER, LOCK (3/8")	2	
6	YSC-10082-10-0C	HOSE	1	
7	YSC-10091-30-0C	CLAMP (#20)	2	
8	YSC-12082-20-AC	HOSE	1	
9	YSC-10091-20-0C	CLAMP (#16)	1	
10	YSC-10091-30-0C	CLAMP (#20)	1	
11	YSC-10082-50-0C	CLAMP, SUPPORT HOSE (1- 7/16")	1	
12	YSC-10091-70-0C	CLAMP, SUPPORT HOSE (1- 5/8")	1	



Part List

V6_4.3_ENGINE_EST 1990 / RAW WATER PUMP ASSEMBLY

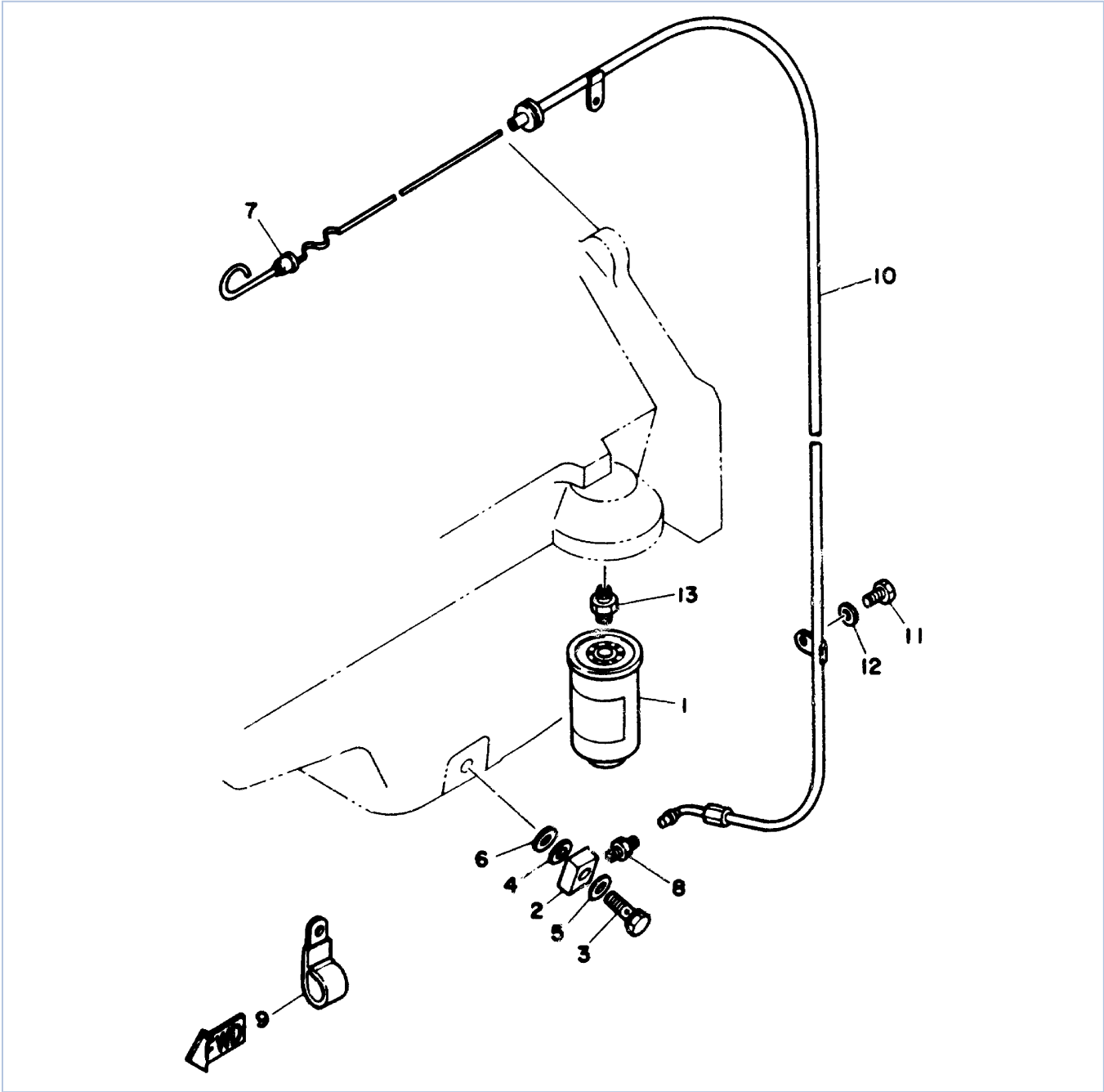
REF - NO	PART NUMBER	PART NAME	QUANTITY	REMARKS
1	YSC-10330-00-0C	PUMP ASSY, RAW WATER	1	
2	YSC-10101-90-0C	.COVER ASSY	1	
3	YSC-10101-30-0C	..BUSHING	1	
4	YSC-10101-80-0C	.SEAL & SEAT ASSY	1	
5	YSC-10100-40-0C	.BEARING, BALL	1	
6	YSC-10101-50-0C	.CAM	1	
7	YSC-10103-10-0C	.IMPELLER KIT	1	
8	YSC-10100-90-0C	..O-RING	1	
9	YSC-10100-10-0C	.SHAFT	1	
10	YSC-10100-20-0C	.SNAP RING, EXTERNAL	3	
11	YSC-10100-30-0C	.SNAP RING, INTERNAL	1	
12	YSC-10100-80-0C	.HOUSING	1	
13	YSC-10101-10-0C	.WASHER, LOCK	1	
14	YSC-10101-20-0C	.BOLT, CAP	3	
15	YSC-10101-40-0C	.KEY, WOODRUFF	1	
16	YSC-10101-60-0C	.SCREW, CAM	1	
17	YSC-10103-00-0C	MAJOR REPAIR KIT	1	



Part List

V6_4.3_ENGINE_EST 1990 / OIL PAN - OIL PUMP

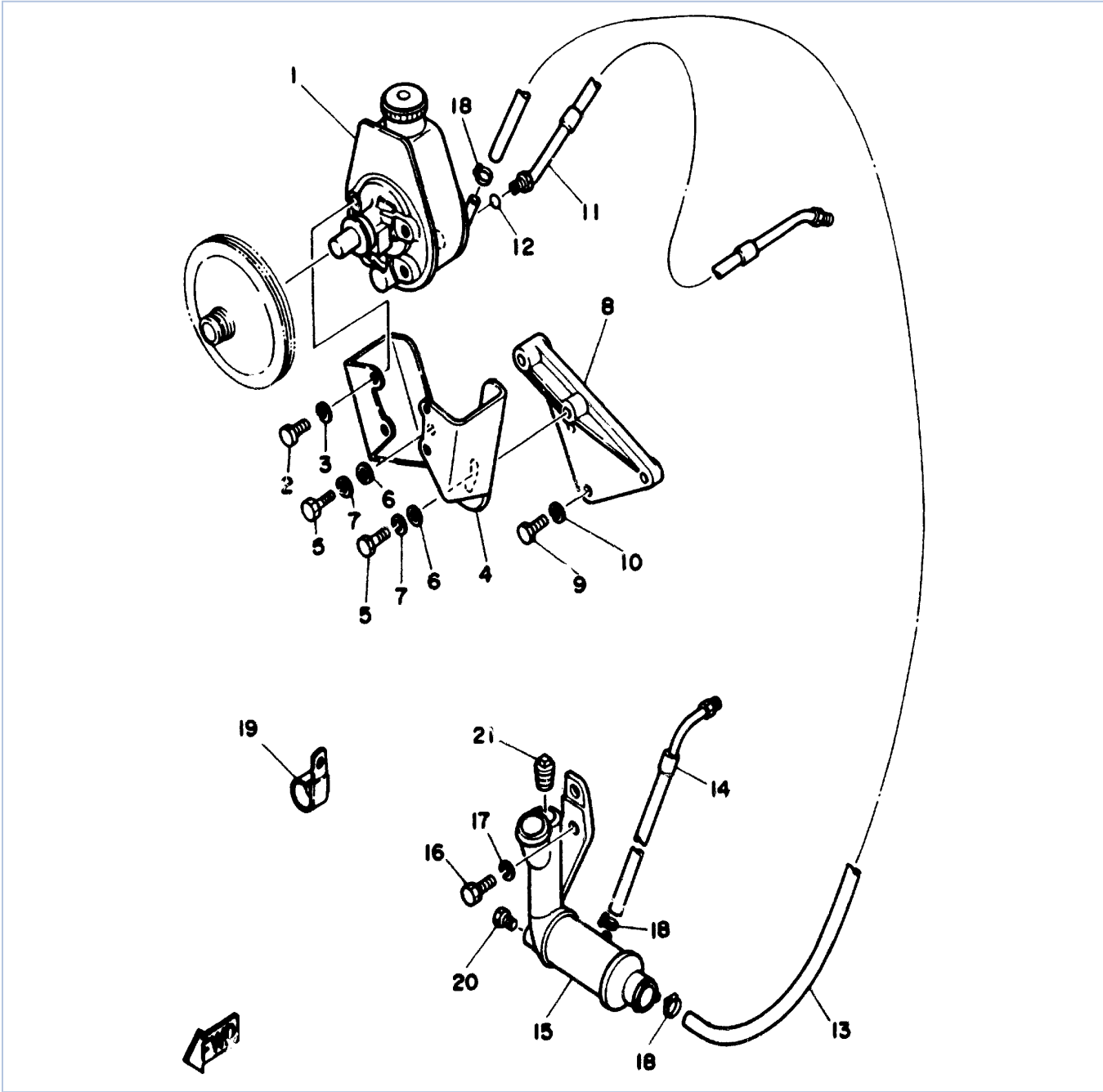
REF - NO	PART NUMBER	PART NAME	QUANTITY	REMARKS
1	YSG-38369-03-G0	PIN	2	
2	YSG-14088-50-3G	REINFORCEMENT OIL PAN (LEFT)	1	
2	YSG-14088-50-4G	REINFORCEMENT OIL PAN (RIGHT)	1	
3	YSG-14088-51-4G	GASKET, OIL PAN	1	
4	YSG-94394-93-G0	NUT, OIL PAN	2	
5	YSG-14080-36-2G	STUD	2	
6	YSG-94400-33-G0	BOLT	12	
6	YSG-18001-8G-00	BOLT	12	
7	YSG-37641-13-G0	SCREEN ASSY, OIL PUMP	1	
8	YSG-10055-84-9G	OIL PUMP ASSY	1	
9	YSG-10055-88-6G	COVER ASSY, OIL PUMP	1	
10	YSG-37023-66-G0	VALVE, OIL PRESS REG	1	
11	YSG-38489-11-G0	SPRING, OIL PRESS REG VALVE	1	
12	YSG-10367-7G-00	PIN, OIL PRESS REG VALVE SPRING	1	
13	YSG-10046-00-7G	BOLT	1	
14	YSG-39982-87-G0	SHAFT	1	
15	YSG-37645-54-G0	RETAINER	1	
16	YSC-12231-20-0C	OIL PAN	1	



Part List

V6_4.3_ENGINE_EST 1990 / OIL FILTER - OIL GAUGE

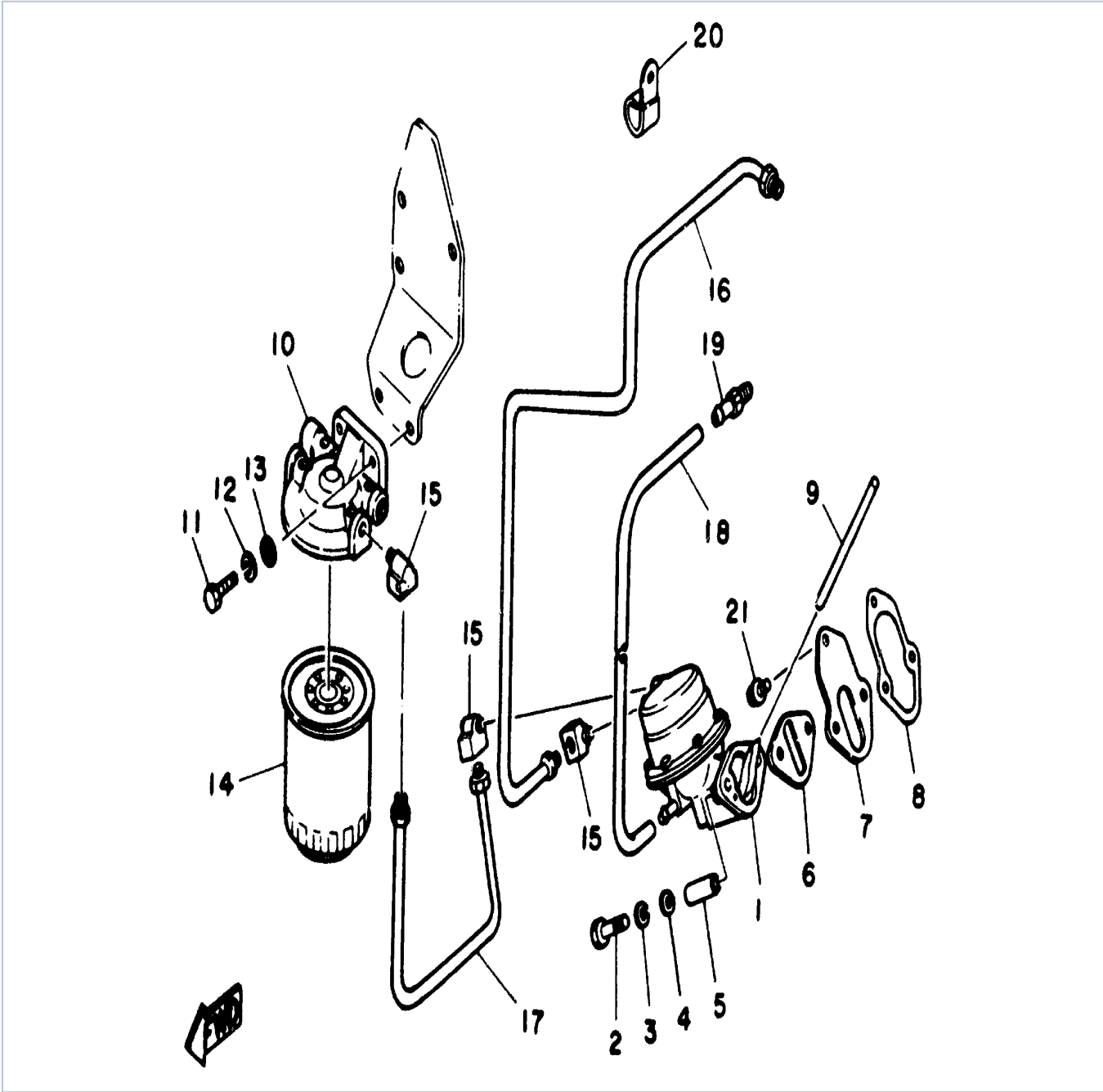
REF - NO	PART NUMBER	PART NAME	QUANTITY	REMARKS
1	YSC-16231-20-0C	FILTER, OIL	1	
2	YSC-10220-30-0C	BLOCK, OIL DIPSTICK	1	
3	YSC-10220-40-0C	SCREW, OIL ADAPTER BLOCK	1	
4	YSC-10220-50-0C	WASHER, ADAPTER TO OIL PAN	1	
5	YSC-10220-60-0C	WASHER, OIL ADAPTER BLOCK	1	
6	YSG-14090-90-8G	GASKET, OIL PAN SCREW (YSC-10231-40-0C)	1	
7	YSC-12230-10-0C	GAUGE, OIL LEVEL	1	
8	YSC-10231-30-0C	ADAPTOR, TUBE TO ADAPTER BLOCK	1	
9	YSC-10230-00-0C	CLAMP HOSE, SUPPORT (7/8")	1	
10	YSC-12221-90-0C	TUBE ASSY	1	
11	YSC-90305-07-5C	BOLT, HEXAGON (3/8- 16X3/4")	1	
12	YSC-93300-00-0C	WASHER, LOCK (3/8")	1	
13	YSC-39523-01-G0	ADAPTER, OIL FILTER MOUNTING	1	



Part List

V6_4.3_ENGINE_EST 1990 / POWER STEERING PUMP OIL COOLER

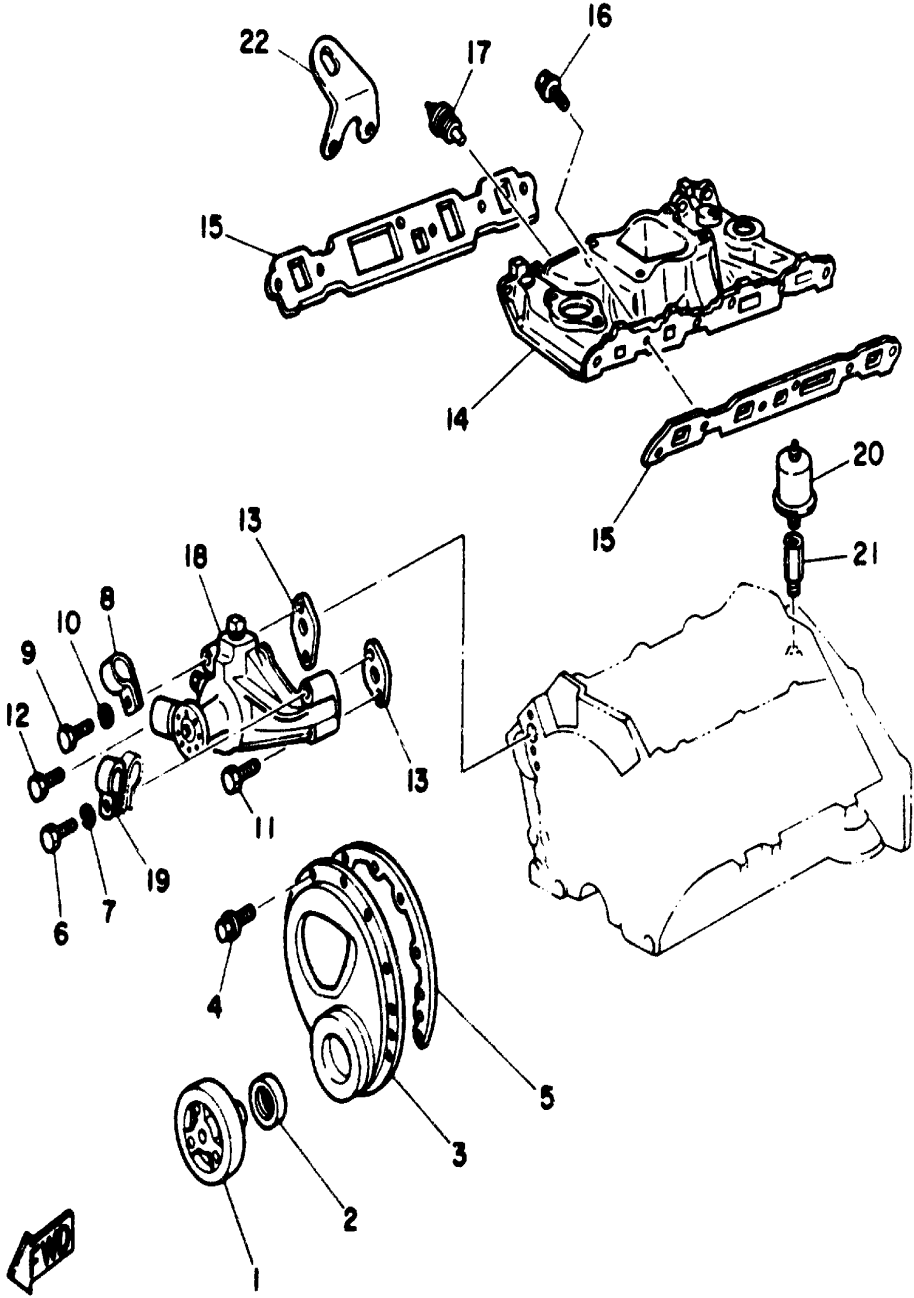
REF - NO	PART NUMBER	PART NAME	QUANTITY	REMARKS
1	YSC-10070-00-0C	PUMP, POWER STEERING	1	
2	YSC-90915-02-0C	BOLT, HEXAGON (M10X1.5X20MM)	4	
3	YSC-93913-00-0C	WASHER, LOCK (M10)	4	
4	YSC-10051-10-0C	BRACKET, POWER STEERING PUMP	1	
5	YSC-90505-10-0C	BOLT, HEXAGON (1/2-13X1")	2	
6	YSC-92500-00-0C	WASHER, FLAT (1/2")	1	
7	YSC-93500-00-0C	WASHER, LOCK (1/2")	2	
8	YSC-10051-20-AC	SUPPORT, POWER STEERING PUMP	1	
9	YSC-90305-12-5C	BOLT, HEXAGON (3/8-16X1- 1/4")	3	
10	YSC-93300-00-0C	WASHER, LOCK (3/8")	3	
11	YSC-12051-30-0C	HYDRAULIC LINE	1	HIGH PRESSURE
12	YSC-10060-10-0C	O-RING (.301 ID X .070 DIA)	1	
13	YSC-10051-40-0C	HYDRAULIC LINE ASSY	1	P.S. PUMP/ OIL COOLER
14	YSC-12051-50-0C	HYDRAULIC LINE ASSY	1	LOW PRESSURE
15	YSC-14051-60-AC	OIL COOLER ASSEMBLY	1	
16	YSC-90305-10-0C	BOLT, HEXAGON (3/8-16X1")	2	
17	YSC-93300-00-0C	WASHER, LOCK (3/8")	2	
18	YSC-10061-50-0C	CLAMP, HOSE (#2)	3	
19	YSC-10061-60-0C	CLAMP, HYDRAULIC LINE SUPPORT	2	
20	YSC-10230-20-0C	PLUG, HEXAGON (18" NPT BRASS)	1	
21	YSC-14062-70-0C	PLUG, SOCKET (3/4" NPT BRASS)	1	



Part List

V6_4.3_ENGINE_EST 1990 / FUEL PUMP - FUEL FILTER

REF - NO	PART NUMBER	PART NAME	QUANTITY	REMARKS
1	YSC-12170-10-0C	PUMP, FUEL	1	
2	YSC-90205-15-0C	BOLT HEXAGON (516-18X1-1/2")	2	
3	YSC-93300-00-0C	WASHER, LOCK (3/8")	2	
4	YSC-92300-00-0C	WASHER, FLAT (5/16")	2	
5	YSC-12160-03-00	SLEEVE, FUEL PUMP MOUNTING	2	
6	YSG-10114-14-1G	GASKET, FUEL PUMP (YSG-37050-42-G0)	1	
7	YSG-14006-70-1G	PLATE, FUEL PUMP TO BLOCK	1	
8	YSG-14096-60-9G	GASKET, FUEL PUMP (YSG-46263-2G-00)	1	
9	YSG-14096-30-2G	ROD, FUEL PUMP PUSH	1	
10	YSC-10171-10-0C	HEADER, FUEL FILTER	1	
11	YSC-90205-12-5C	BOLT, HEXAGON (5/16"-18X1-1/4")	2	
12	YSC-93200-00-0C	WASHER, LOCK (5/16")	2	
13	YSC-92200-00-0C	WASHER, FLAT (5/16")	2	
14	ABA-FUELF-IL-TR	FUEL FILTER ASSY	1	
15	YSC-10170-20-0C	ELBOW, FUEL LINE CONNECTOR	3	
16	YSC-12161-20-BC	FUEL LINE, PUMP TO CARBURETOR (YSC-12161-20-AC)	1	
17	YSC-12161-30-AC	FUEL LINE, PUMP TO FILTER	1	
18	YSC-10170-30-0C	HOSE, FUEL FUME BYPASS	1	
19	YSC-10160-20-0C	ADAPTER, FUEL FUME BYPASS	1	
20	YSC-10171-70-0C	CLAMP, FUEL LINE SUPPORT	1	
21	YSC-10171-60-0C	BOLT, ASSY (1/4-20X3/8")	1	



Part List

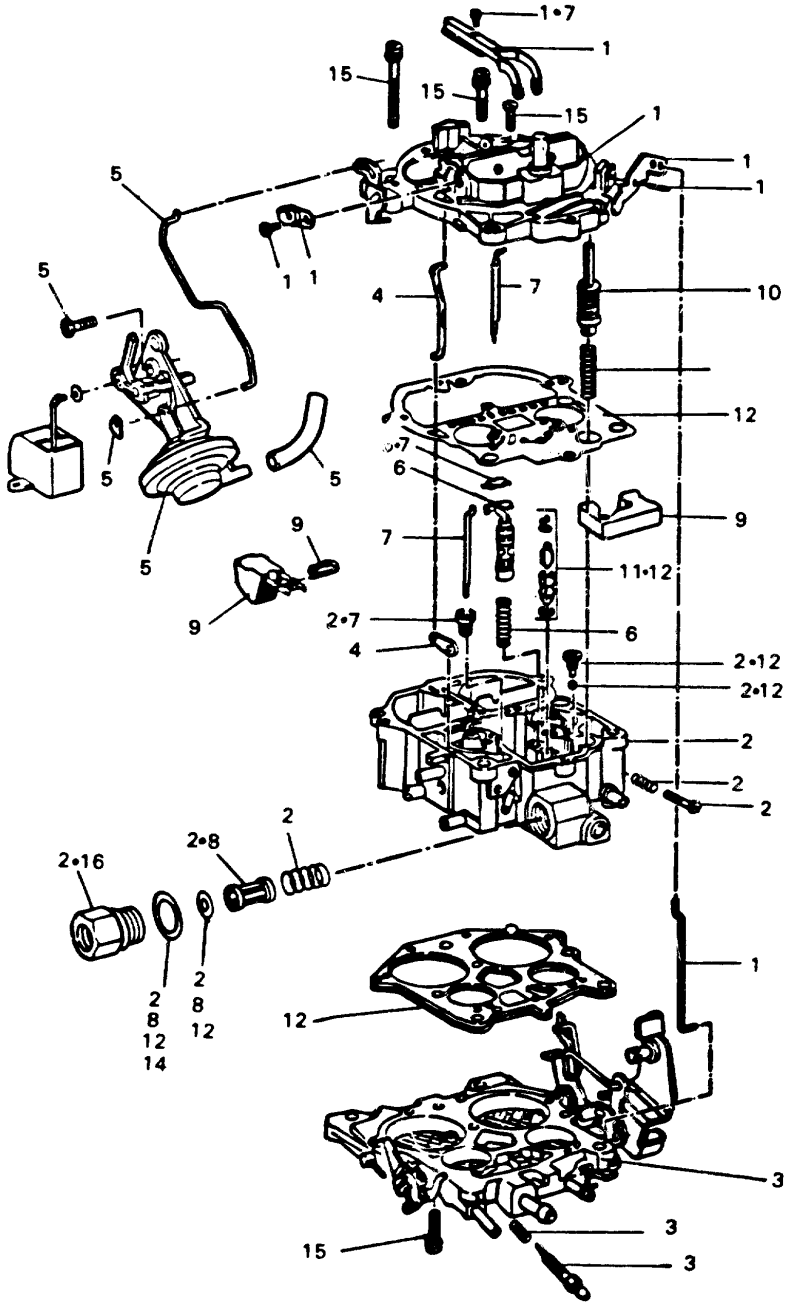
V6_4.3_ENGINE_EST 1990 / INTAKE MANIFOLD - FRONT COVER

REF - NO	PART NUMBER	PART NAME	QUANTITY	REMARKS
1	YSG-14095-91-6G	DAMPER ASSY	1	
2	YSG-10111-76-9G	SEAL ASSY	1	
3	YSG-10046-16-9G	COVER, FRONT	1	
3	YSG-39914-35-G0	POINTER, TIMING	1	
4	YSG-94399-30-G0	BOLT	10	
5	YSG-10108-43-5G	GASKET	1	
6	YSC-90308-17-5C	BOLT, HEXAGON (3/8-16X1-3/4")	1	UPPER LEFT
7	YSC-93300-00-0C	WASHER, LOCK (3/8")	1	UPPER LEFT
8	YSC-10082-30-0C	CLAMP, SUPPORT HOSE (1-7/16")	1	UPPER RIGHT
9	YSC-90308-17-5C	BOLT, HEXAGON (3/8-16X1-3/4")	1	UPPER RIGHT
10	YSC-93300-00-0C	WASHER, LOCK (3/8")	1	UPPER RIGHT
11	YSG-94396-37-G0	BOLT	1	LOWER LEFT
12	YSG-37545-87-G0	GASKET, WATER PUMP	1	LOWER LEFT
13	YSG-37545-87-G0	GASKET, WATER PUMP	2	
14	YSG-25522-46-6G	.PLUG	1	
14	YSG-39595-44-G0	.STUD	4	
14	YSG-46138-6G-00	.GUARD, INL MANIF OIL SPH	1	
14	YSG-44466-2G-00	.PLUG	1	
14	YSG-62697-31-G0	MANIFOLD ASSEMBLY, INLET	1	
15	YSG-14089-02-0G	GASKET, INLET MANIFOLD	2	
16	YSG-94402-49-G0	BOLT	4	
16	YSG-94402-49-G0	BOLT	1	
16	YSG-94399-21-G0	BOLT	4	
16	YSG-94399-21-G0	BOLT	4	
16	YSG-14091-54-4G	BOLT	8	
16	YSG-14091-54-4G	BOLT	8	
17	YSC-10120-00-0C	SENDER, WATER TEMPERATURE	1	
18	YSG-10081-94-4G	PUMP, CIRCULATING	1	
19	YSC-10091-50-0C	CLAMP, SUPPORT HOSE (1-7/16")	1	
20	YSC-10120-10-0C	SENDER, OIL PRESSURE	1	
21	YSC-14230-40-0C	ADAPTER, OIL PRESSURE MOUNTING	1	
22	YSC-10281-50-0C	HANGER, ENGINE FRONT	1	

Part List

V6_4.3_ENGINE_EST 1990 / CARBURETOR

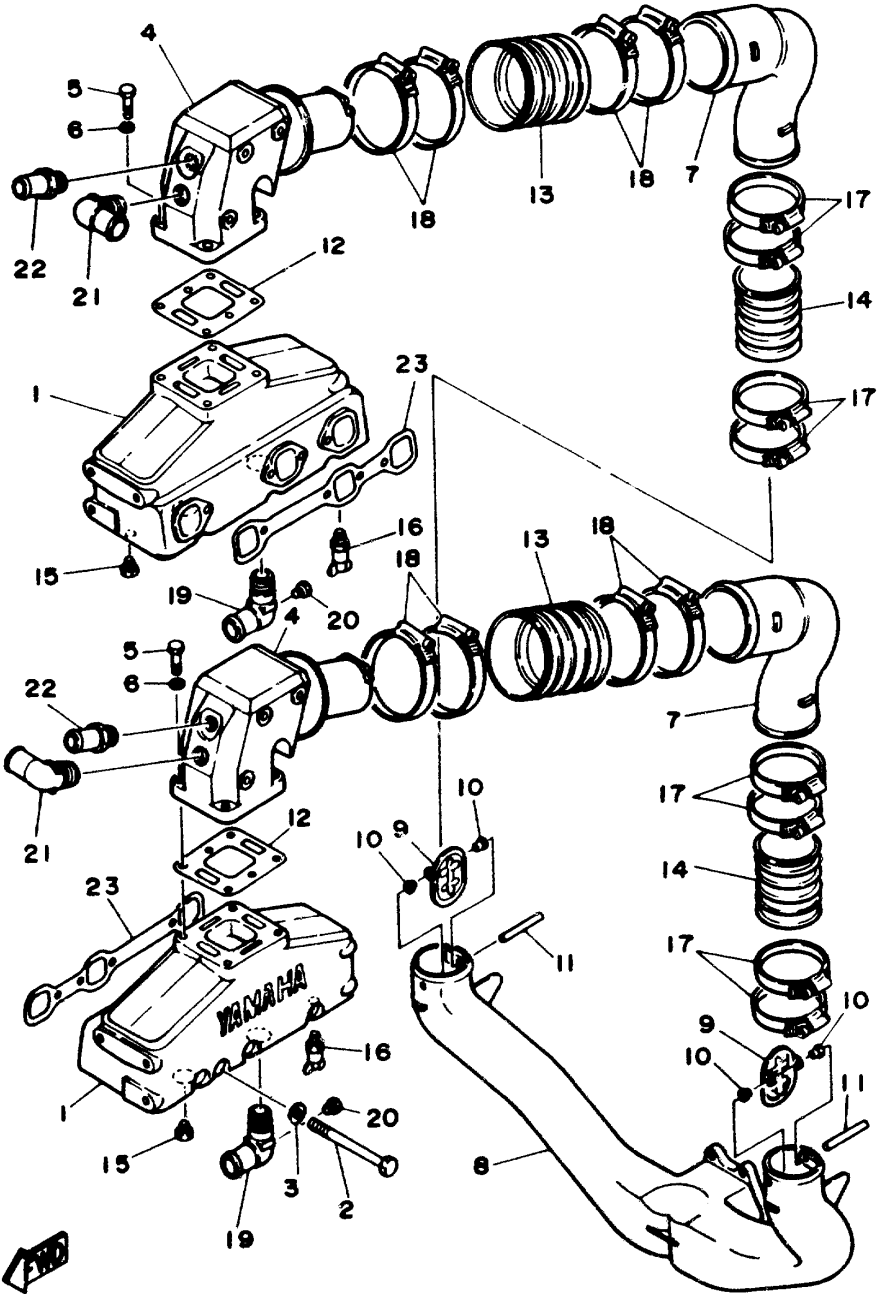
REF - NO	PART NUMBER	PART NAME	QUANTITY	REMARKS
1	YSC-12180-00-0C	CARBURETOR ASSY	1	
2	YSC-10170-00-0C	FLAME ARRESTOR	1	
3	YSC-16160-10-0C	STUD, CARBURETOR MOUNTING	2	SHORT
4	YSC-10160-11-0C	STUD, CARBURETOR MOUNTING (5/16-18X4-5/8")	2	LONG
5	YSC-92200-00-0C	WASHER, FLAT (5/16")	4	
6	YSC-95202-00-0C	NUT, HEXAGON (5/16-18 ESNA)	4	
7	YSC-10191-90-0C	ELBOW, VENTILATION	2	
8	YSC-12192-11-0C	HOSE, VENT (RIGHT)	1	
9	YSC-10190-10-0C	GROMMET, BREATHER	2	
10	YSC-10060-00-0C	BALL JOINT ASSEMBLY	1	
11	YSC-10161-10-0C	SPRING, THROTTLE RETURN	1	
12	YSG-62699-18-G0	CHOKE ASSEMBLY	1	
13	YSG-27351-3G-00	SCREW & WASHER, CHOKE MOUNTING	1	
14	YSG-39890-67-G0	CLIP, AUTO CHOKE ROD	1	
15	YSG-10069-98-4G	INSULATOR, CARBURETOR MOUNTING	1	
16	YSC-12192-12-0C	HOSE, VENTILATION (LEFT)	1	
17	YSC-10160-00-AC	STUD, FLAME ARRESTER (4") (YSC-101600-00-0C)	1	
18	YSC-94140-00-0C	WASHER, SEALING (1/4")	1	



Part List

V6_4.3_ENGINE_EST 1990 / CARBURETOR KIT

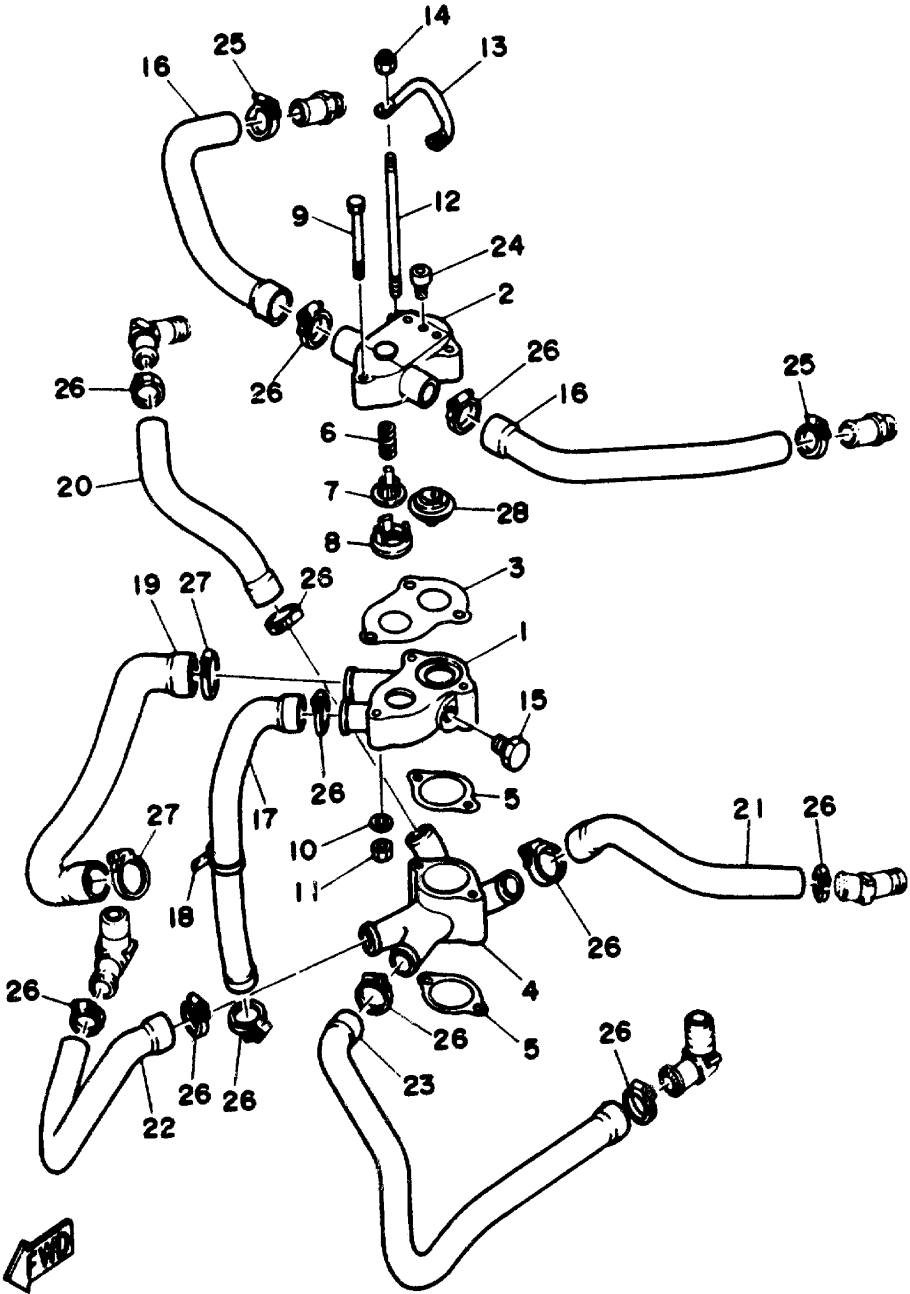
REF - NO	PART NUMBER	PART NAME	QUANTITY	REMARKS
1	YSC-12180-80-0C	AIR HORN KIT	1	
2	YSC-12181-00-0C	FLOAT BOWL KIT	1	
3	YSC-10181-10-0C	THROTTLE BODY KIT	1	
4	YSC-10181-20-0C	CHOKE LINK & LEVER KIT	1	
5	YSC-12181-30-0C	PRIMARY VACUUM KIT	1	
6	YSC-12181-40-0C	POWER PISTON KIT	1	
7	YSC-12181-50-0C	METERING JET & ROD KIT	1	
8	YSC-10181-60-0C	FUEL FILTER KIT	1	
9	YSC-10181-70-0C	FLOAT KIT	1	
10	YSC-10181-80-0C	PUMP KIT	1	
11	YSC-10180-50-0C	NEEDLE & SEAT KIT	1	
12	YSC-10180-60-0C	CARBURETOR REPAIR KIT	1	
13	000-00000-00-00	TEST	1	N/A
14	YSC-10180-10-0C	GASKET, INLET FILTER NUT	1	
15	YSC-10181-90-0C	SCREW KIT, AIR HORN / THROTTLE BODY	1	
16	YSC-10180-30-0C	NUT, FUEL INLET	1	
17	YSC-10181-20-0C	CHOKE LINK & LEVER KIT	1	
18	YSC-12180-00-0C	CARBURETOR ASSY	1	



Part List

V6_4.3_ENGINE_EST 1990 / EXHAUST SYSTEM

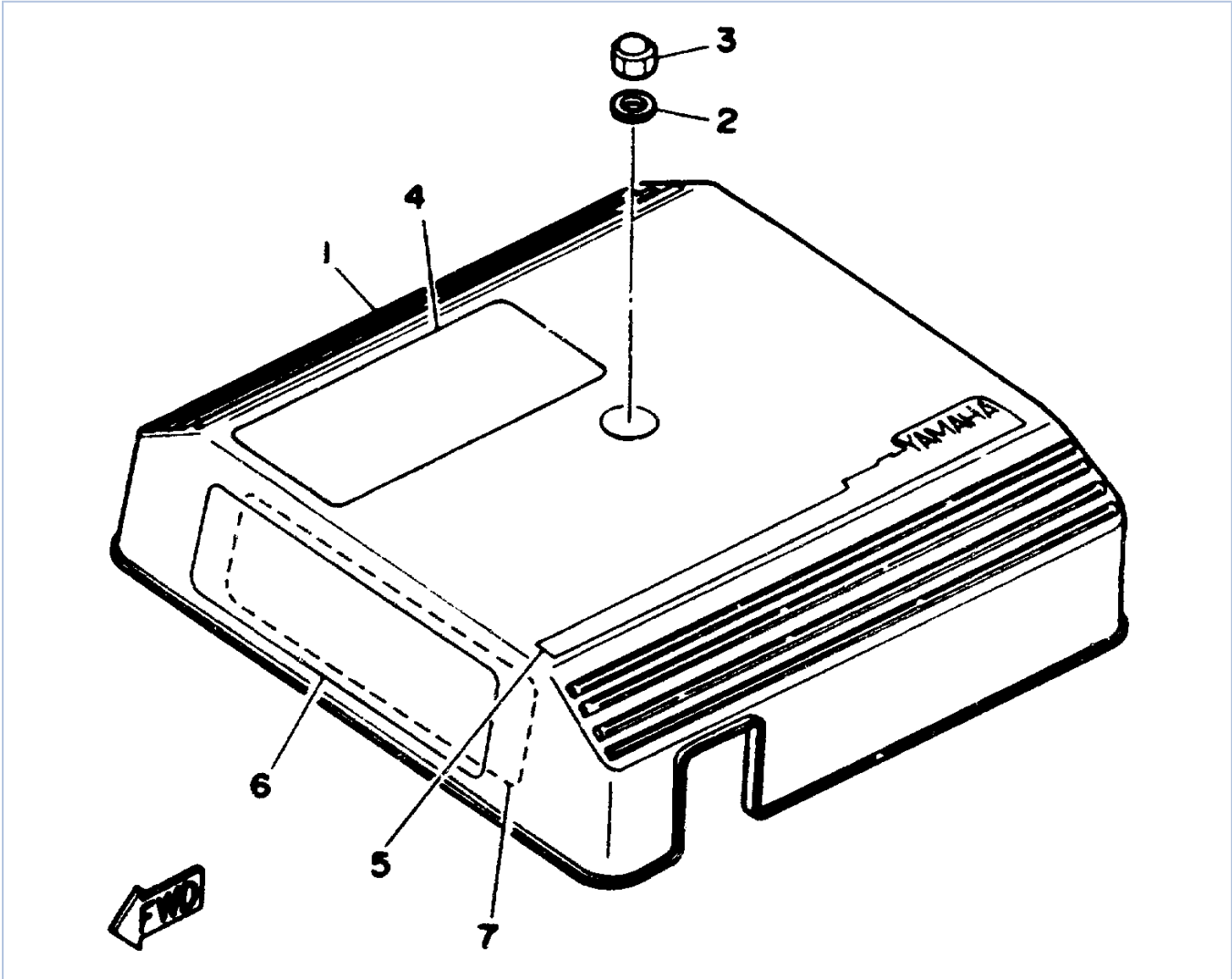
REF - NO	PART NUMBER	PART NAME	QUANTITY	REMARKS
1	YSC-12191-10-0C	MANIFOLD, EXHAUST	2	
2	YSC-90305-55-0C	BOLT, HEXAGON (3/8-16X5-1/2")	8	
3	YSC-93300-00-0C	WASHER, LOCK (3/8")	8	
4	YSC-10191-20-0C	ELBOW, EXHAUST MIXING	2	
5	YSC-90305-12-5C	BOLT, HEXAGON (3/8-16X1-1/4")	8	
6	YSC-93300-00-0C	WASHER, LOCK (3/8")	8	
7	YSC-12191-30-0C	ELBOW, EXHAUST INTERMEDIATE	2	
8	YSC-10191-41-0C	PIPE, EXHAUST	1	
9	6T0-14673-00-00	SHUTTER, WATER	2	
10	6T0-14664-00-00	GROMMET, WATER SHUTTER	4	
11	6T0-14745-00-00	SHAFT, WATER SHUTTER	2	
12	YSC-10192-00-0C	GASKET, EXHAUST MIXING ELBOW	2	
13	YSC-10192-21-0C	HOSE, EXHAUST CONNECTING (4")	2	
14	YSC-10192-31-0C	HOSE, EXHAUST CONNECTING (3")	2	
15	YSC-10200-00-0C	PLUG, HEXAGON (1/4-18" NPT BRASS)	2	
16	YSC-10201-50-0C	DRAIN COCK, EXHAUST MANIFOLD	2	
17	YSC-10201-60-0C	CLAMP, HOSE (#52)	8	
18	YSC-10201-70-0C	CLAMP, HOSE (#72)	8	
19	YSC-10191-50-0C	ELBOW, EXHAUST WATER INLET	2	
19	YSC-10191-50-AC	ELBOW, EXHAUST WATER INLET	2	
21	YSC-12191-60-0C	ELBOW, EXHAUST MIXING	2	
22	YSC-10191-70-0C	ADAPTER, EXHAUST MIXING	2	
23	YSC-12190-00-0C	GASKET, EXHAUST MANIFOLD MOUNT	2	



Part List

V6_4.3_ENGINE_EST 1990 / THERMOSTAT HOUSING

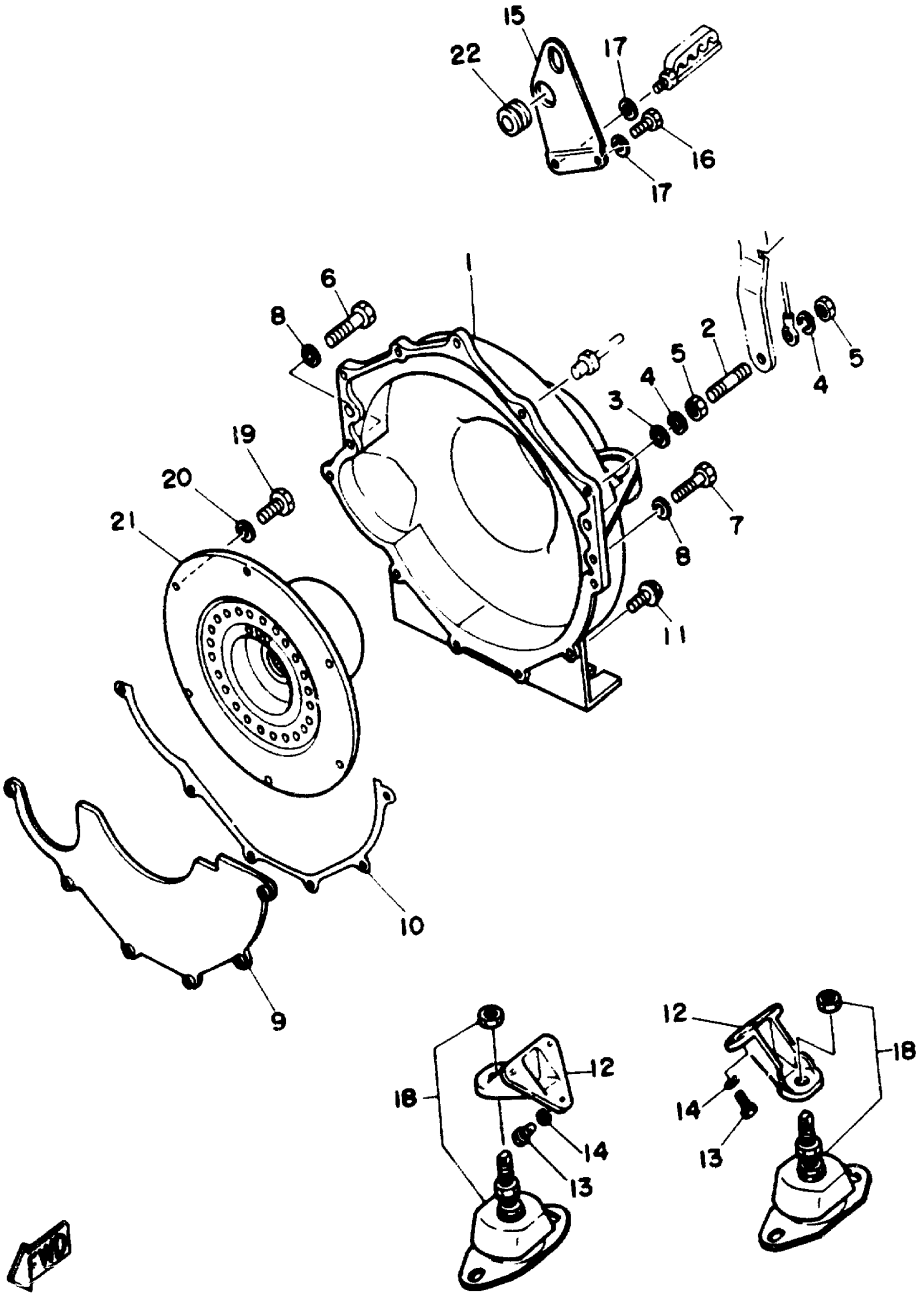
REF - NO	PART NUMBER	PART NAME	QUANTITY	REMARKS
1	YSC-10081-30-0C	HOUSING, THERMOSTAT	1	
2	YSC-10081-40-0C	COVER, THERMOSTAT HOUSING	1	
3	YSC-10080-10-0C	GASKET, THERMOSTAT HOUSING COVER	1	
4	YSC-10081-20-0C	HOUSING, EXHAUST MANIFOLD	1	
5	YSC-10080-00-0C	GASKET THERMOSTAT HOUSING	2	
6	YSC-10080-20-0C	SPRING, PRESSURE RELIEF	1	
7	YSC-10080-30-0C	VALVE, PRESSURE RELIEF	1	
8	YSC-10080-40-0C	SEAT, PRESSURE RELIEF	1	
9	YSC-90305-35-0C	BOLT, HEXAGON (3/8-16X3- 1/2")	1	
10	YSC-93300-00-0C	WASHER, LOCK (3/8")	1	
11	YSC-95300-00-0C	NUT, HEXAGON	1	
12	YSC-10081-50-0C	STUD	2	
13	YSC-10281-70-0C	HANGER, ENGINE	1	
14	YSC-95302-00-0C	NUT, HEXAGON (3/8-16 NYLOCK)	2	
15	90345-10M00-00	PLUG (3/8-19 G 1/2 B)	1	
16	YSC-10081-61-0C	HOSE	2	
17	YSC-10081-70-0C	HOSE	1	
18	YSC-10122-70-0C	TIE WRAP	1	
19	YSC-10081-80-0C	HOSE	1	
20	YSC-10081-91-0C	HOSE	1	
21	YSC-10081-92-0C	HOSE	1	
22	YSC-10082-01-0C	HOSE	1	
23	YSC-12082-02-0C	HOSE	1	
24	YSC-10091-10-0C	PLUG, HOUSING COVER VENT	1	
25	YSC-10091-20-0C	CLAMP (#16)	2	
26	YSC-10091-30-0C	CLAMP (#20)	12	
27	YSC-10091-40-0C	CLAMP (#32)	2	
28	YSC-10090-00-AC	THERMOSTAT	1	



Part List

V6_4.3_ENGINE_EST 1990 / COVER - COMPUTER

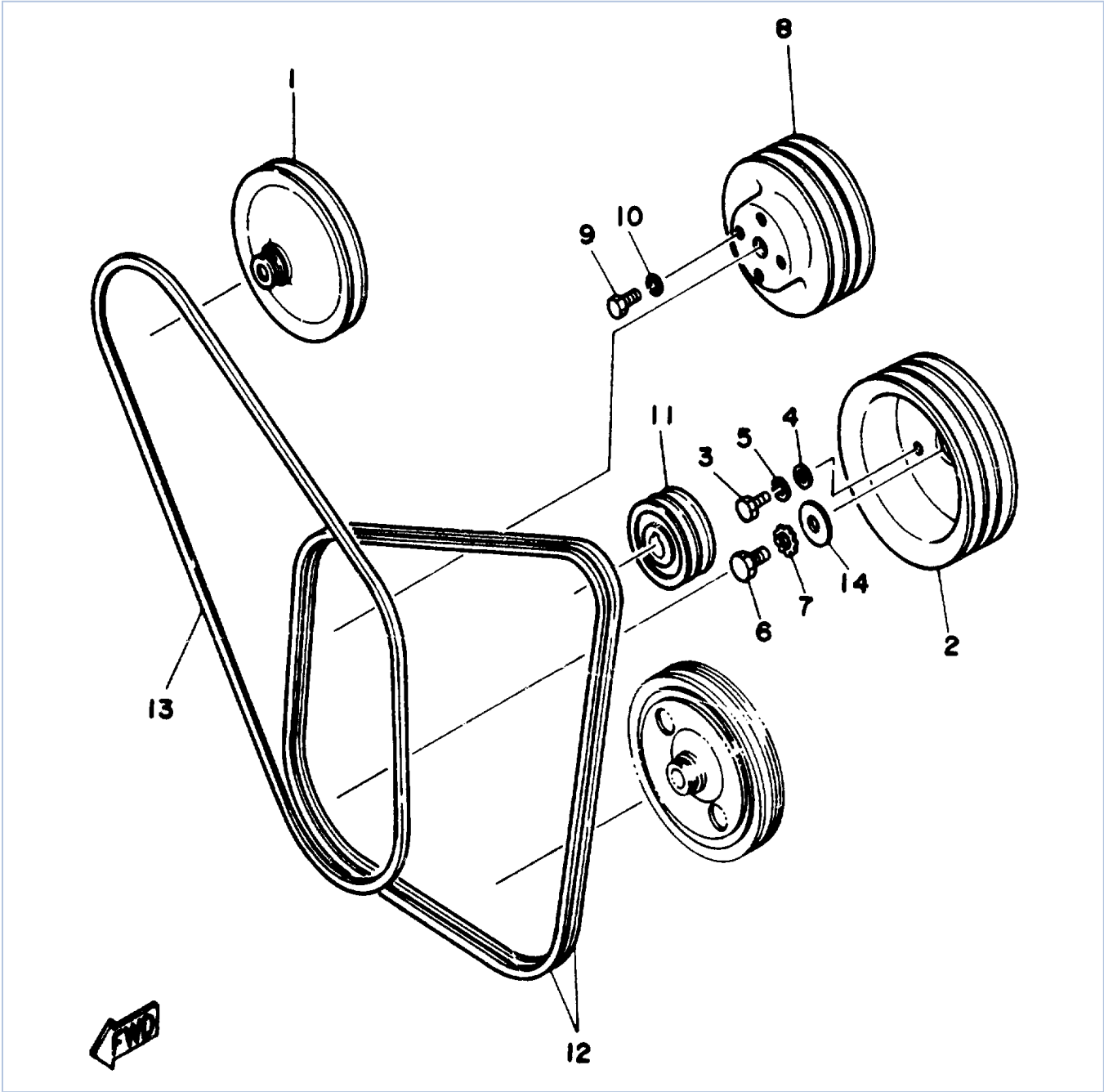
REF - NO	PART NUMBER	PART NAME	QUANTITY	REMARKS
1	6T6-1444E-00-00	COVER, FLAME ARRESTOR	1	
2	YSC-92100-00-0C	WASHER, FLAT (1/4")	1	
3	YSC-95104-00-0C	NUT (YSC-95103-00-0C)	1	
4	6T2-1441K-00-00	EMBLEM 1	1	
5	6T6-1442K-00-00	EMBLEM 2	1	
6	6T6-14488-00-00	STICKER, CAUTION	1	
7	YSC-16310-50-0C	LABEL, SERVICE DATA	1	



Part List

V6_4.3_ENGINE_EST 1990 / MOUNTING - FLYWHEEL HOUSING

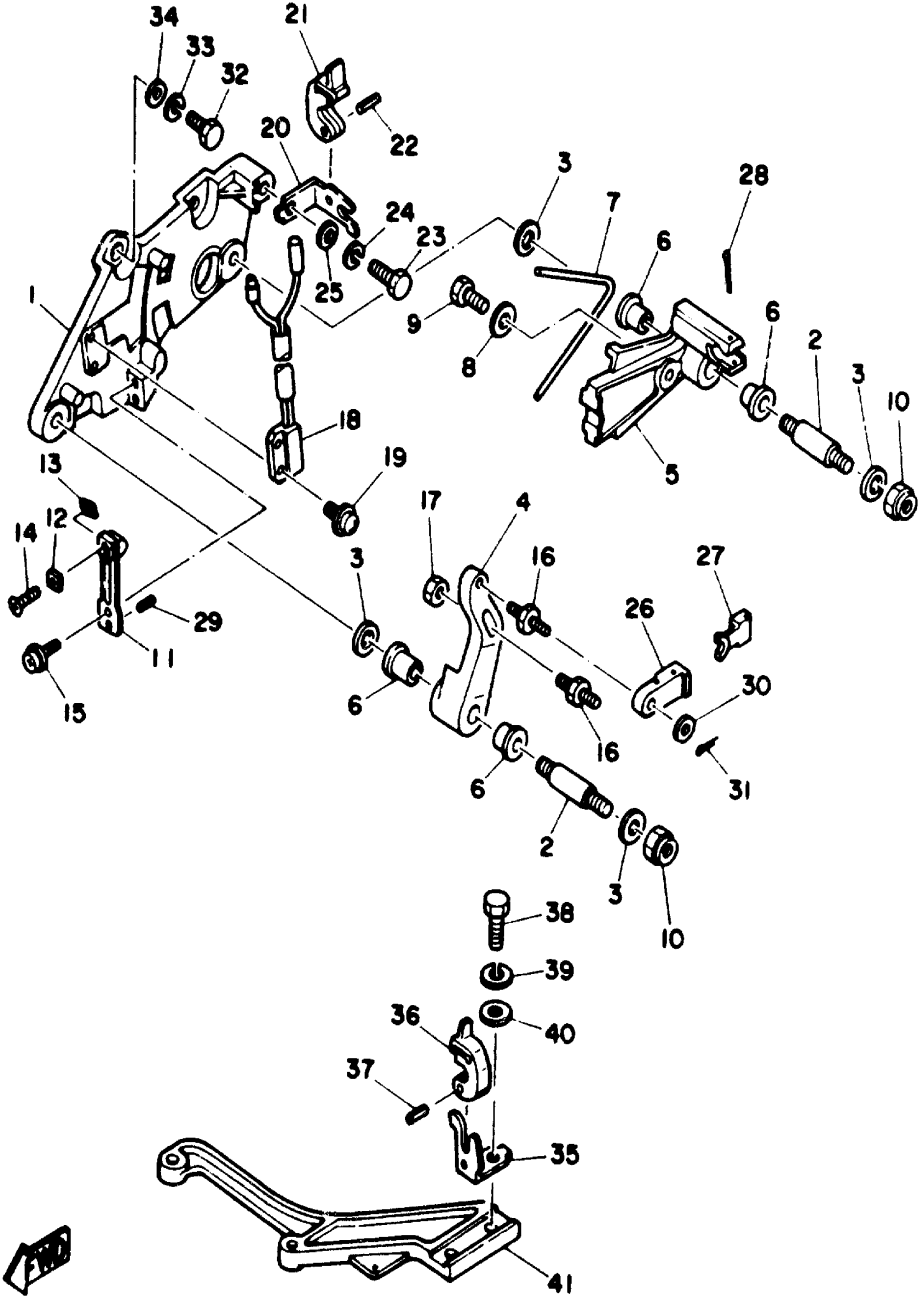
REF - NO	PART NUMBER	PART NAME	QUANTITY	REMARKS
1	YSC-10281-10-BC	HOUSING, FLYWHEEL	1	
2	YSC-10110-00-0C	STUD, (3/8-16X2-3/4")	2	
3	YSC-92300-00-0C	WASHER, FLAT (5/16")	2	
4	YSC-93300-00-0C	WASHER, LOCK (3/8")	4	
5	YSC-95300-00-0C	NUT, HEXAGON	4	
6	YSC-90305-12-5C	BOLT, HEXAGON (3/8-16X1-1/4")	1	
7	YSC-90305-15-0C	BOLT, HEXAGON (3/8-16X1-1/2")	1	
8	YSC-93300-00-0C	WASHER, LOCK (3/8")	2	
9	YSC-10281-20-BC	UNDERCOVER, FLYWHEEL HOUSING	1	
10	YSC-10281-30-AC	GASKET, UNDERCOVER	1	
11	YSC-91100-10-0C	SCREW, SELF TAPPING (1/4-20X1")	6	
12	YSC-12281-40-0C	SUPPORT, FRONT V-6	2	
13	YSC-90305-12-5C	BOLT, HEXAGON (3/8-16X1-1/4")	6	
14	YSC-93300-00-0C	WASHER, LOCK (3/8")	6	
15	YSC-10281-60-BC	HANGER, ENGINE REAR (YSC-10281-60-AC)	1	
16	YSC-90305-10-0C	BOLT, HEXAGON (3/8-16X1")	1	
17	YSC-93300-00-0C	WASHER, LOCK (3/8")	2	
18	YSC-12290-00-0C	MOUNT V6	2	
19	YSC-83865-3G-0C	BOLT, HEXAGON (3/8-16X1")	6	
20	YSC-92300-00-1C	WASHER, FLAT (3/8")	6	
21	YSC-10251-60-0C	COUPLING, ENGINE DRIVE	1	
22	YSC-10290-40-0C	GROMMET	1	



Part List

V6_4.3_ENGINE_EST 1990 / BELTS - PULLEYS

REF - NO	PART NUMBER	PART NAME	QUANTITY	REMARKS
1	YSC-10251-40-0C	PULLEY, POWER STEERING PUMP	1	
2	YSC-10251-10-0C	PULLEY, CRANKSHAFT	1	
3	YSC-90315-12-5C	BOLT, HEXAGON (3/8-24X1- 1/4")	3	
4	YSC-92300-00-0C	WASHER, FLAT (5/16")	3	
5	YSC-93300-00-0C	WASHER, LOCK (3/8")	3	
6	YSC-90415-25-0C	BOLT, HEXAGON (7/16- 20X2-1/2")	1	
7	YSC-94400-00-0C	WASHER, LOCK (7/16")	1	
8	YSC-10251-20-0C	PULLEY, WATER PUMP	1	
9	YSC-90215-07-5C	BOLT, HEXAGON (5/16- 24X3/4")	4	
10	YSC-93300-00-0C	WASHER, LOCK (3/8")	4	
11	YSC-10251-50-0C	PULLEY, ALTERNATOR (2 GROOVE)	1	
12	YSC-10260-00-0C	BELT, CRANK/PUMP ALTERNATOR	2	
13	YSC-10260-10-0C	BELT, CRANK/P.S. PUMP	1	
14	YSC-10260-40-0C	WASHER, FLAT SPECIAL (7/16") (YSC-10260-40-0C)	1	




Part List

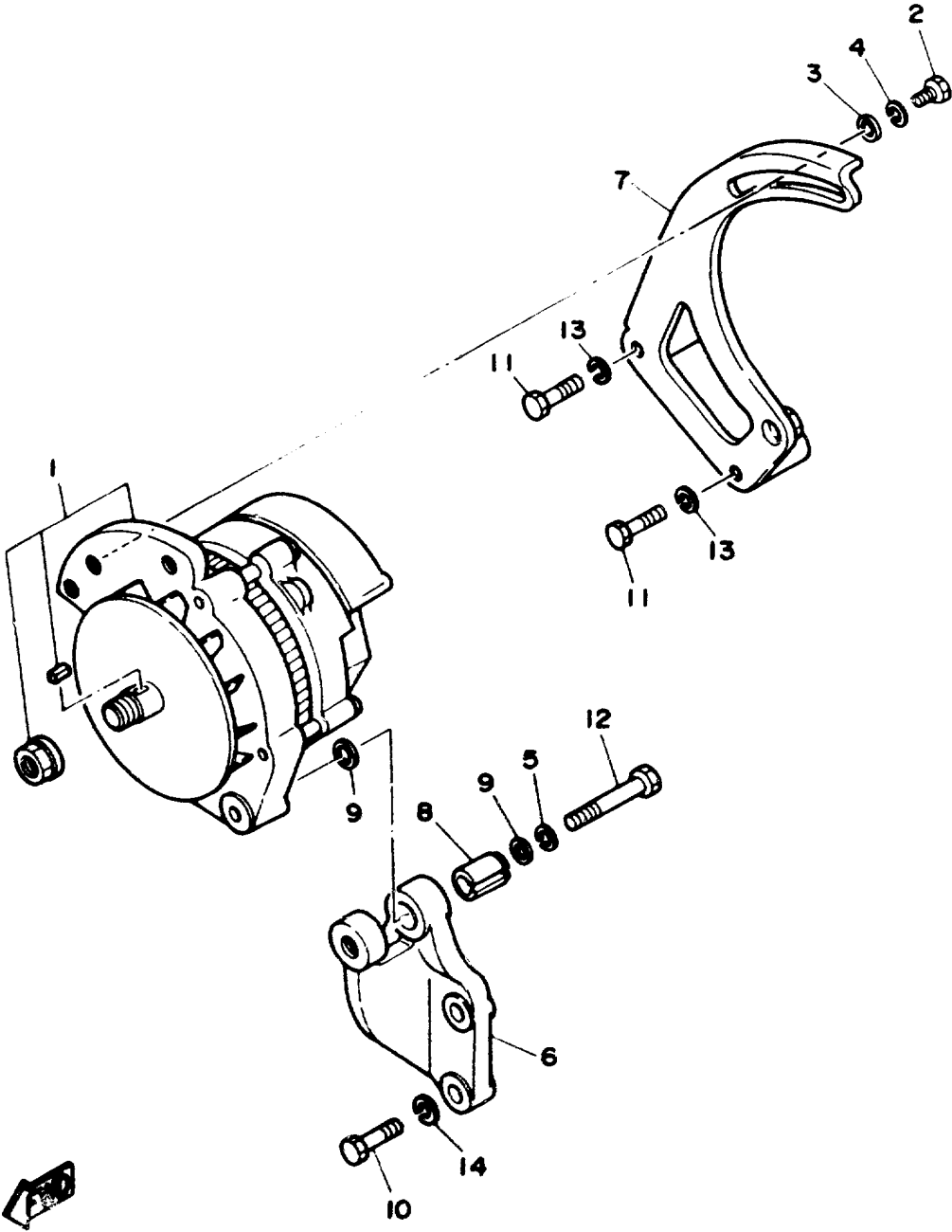
V6_4.3_ENGINE_EST 1990 / IGNITION INTERRUPTION UNIT

REF - NO	PART NUMBER	PART NAME	QUANTITY	REMARKS
1	6T0-45693-00-33	PLATE, SHIFT	1	
2	6T0-44178-00-00	BOLT, STUD	2	
3	90201-08M02-00	WASHER, PLAIN	4	
4	6T0-46382-00-33	LEVER, SHIFT 1	1	
5	6T0-46383-00-33	LEVER, SHIFT 2	1	
6	6T0-44132-00-00	BUSHING	4	
7	6T0-44135-00-00	SPRING	1	
8	90202-08022-00	WASHER, PLATE	1	
9	97025-08014-00	BOLT, HEXAGON	1	
10	95780-08300-00	NUT, FLANGE	2	
11	6T0-44104-00-00	PLATE COMP.	1	
12	6T0-8135F-00-00	MAGNETO	1	
13	6T0-44583-00-00	NUT	1	
14	98780-03008-00	SCREW, FLAT HEAD	1	
15	97980-04312-00	SCREW, WITH WASHER	1	
16	6T0-42195-00-00	PIN, JOINT	2	
17	95380-06600-00	NUT, HEXAGON	1	
18	6T3-8259F-00-00	SWITCH ASSEMBLY	1	
19	97980-03310-00	SCREW, WITH WASHER	2	
20	6T0-48531-00-00	BRACKET, REMOTE CONTROL	1	
21	6E5-48538-00-00	CLAMP, CABLE	1	
22	91690-30012-00	PIN, SPRING	1	
23	97395-08016-00	BOLT	1	
24	92990-08100-00	WASHER, SPRING	1	
25	92990-08600-00	WASHER, PLATE	1	
26	6G8-26363-00-00	.END, WIRE 1	1	
27	6G8-26364-00-00	.END, CABLE	1	
28	91490-20025-00	PIN, COTTER	1	
29	91690-20008-00	PIN, SPRING	1	
30	92990-06600-00	WASHER, PLATE	2	
31	91490-20015-00	PIN. COTTER	2	
32	YSC-90305-10-0C	BOLT, HEXAGON (3/8-16X1")	3	
33	YSC-93300-00-0C	WASHER, LOCK (3/8")	3	
34	YSC-92300-00-0C	WASHER, FLAT (5/16")	3	
35	6T0-48531-00-00	BRACKET, REMOTE CONTROL	1	
36	6E5-48538-00-00	CLAMP, CABLE	1	
38	YSC-90205-06-3C	BOLT, HEXAGON (5/16-18X5/8")	1	
39	YSC-93200-00-0C	WASHER, LOCK (5/16")	1	
40	YSC-92200-00-0C	WASHER, FLAT (5/16")	1	
41	YSC-14052-00-0C	BRACKET, THROTTLE CONTROL	1	

Part Notes

V6_4.3_ENGINE_EST 1990 / IGNITION INTERRUPTION UNIT

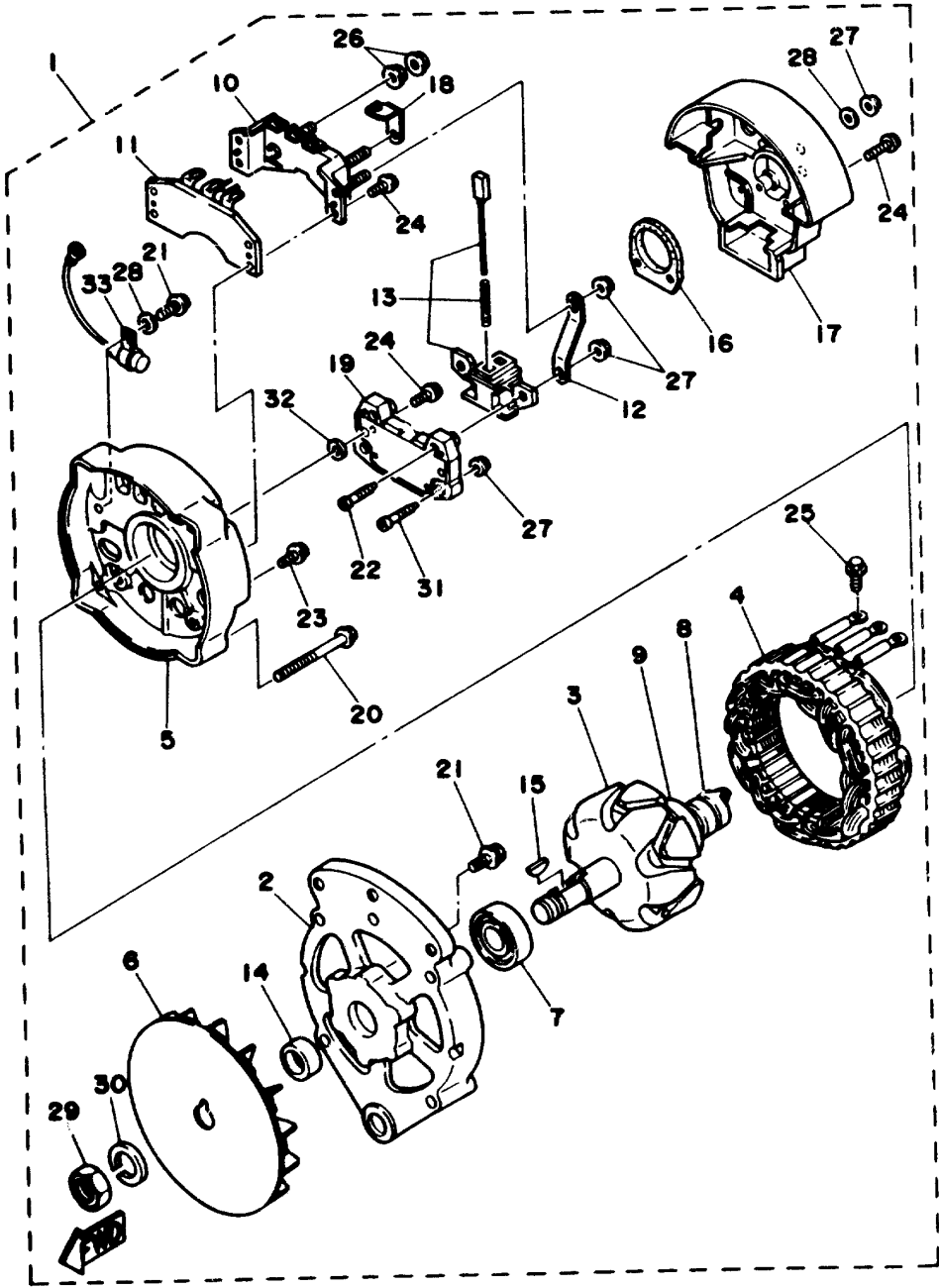
PART NUMBER	NOTE TEXT
92990-06600-00 	OEM: This part number is among the Top 100 Most Popular Marine Maintenance Parts as of February 2013.



Part List

V6_4.3_ENGINE_EST 1990 / ALTERNATOR

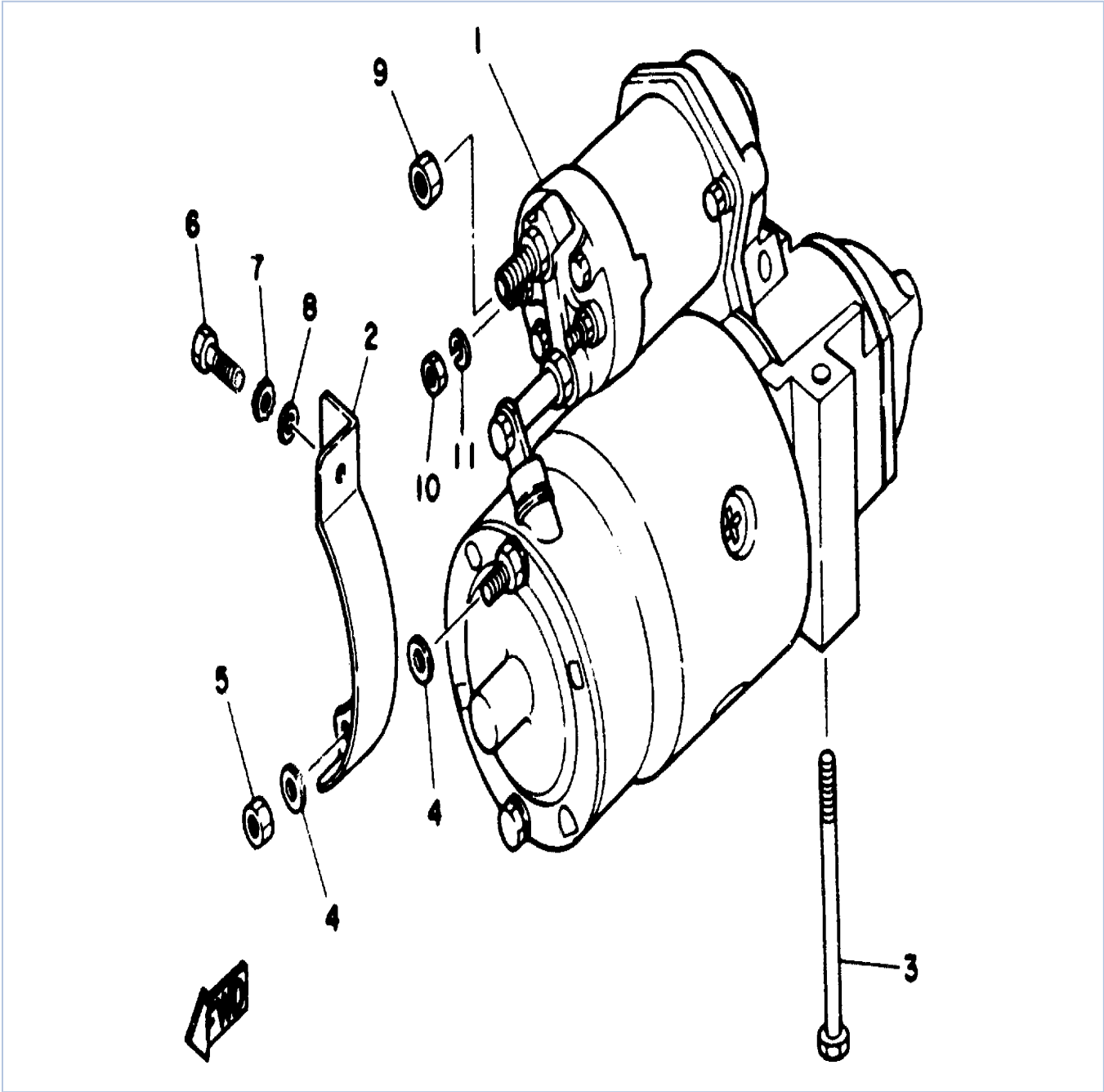
REF - NO	PART NUMBER	PART NAME	QUANTITY	REMARKS
1	YSC-10140-01-0C	ALTERNATOR ASSY	1	
2	YSC-90205-10-0C	BOLT, HEXAGON (5/16-18X1")	1	
3	YSC-92801-20-0C	WASHER, FLAT (11/32")	1	
4	YSC-93200-00-0C	WASHER, LOCK (5/16")	1	
5	YSC-93500-00-0C	WASHER, LOCK (1/2")	1	
6	YSC-10111-10-0C	BRACKET, ALTERNATING MOUNTING	2	
7	YSC-10111-20-AC	STRAP, ALTERNATING MOUNTING (YSC-10111-20-0C)	1	
8	YSC-10112-80-0C	BUSHING, ALTERNATOR ADJUSTING	1	
9	YSC-10112-90-0C	WASHER, ALTERNATOR MOUNTING	1	
10	YSC-90305-15-0C	BOLT, HEXAGON (3/8-16X1-1/2")	3	
11	YSC-90308-25-0C	BOLT, HEXAGON (3/8-16X2-1/2")	2	
12	YSC-90508-30-5C	BOLT, HEXAGON (1/2-13X3")	1	
13	YSC-93300-00-0C	WASHER, LOCK (3/8")	2	
14	YSC-93300-00-0C	WASHER, LOCK (3/8")	3	



Part List

V6_4.3_ENGINE_EST 1990 / ALTERNATOR ASSEMBLY

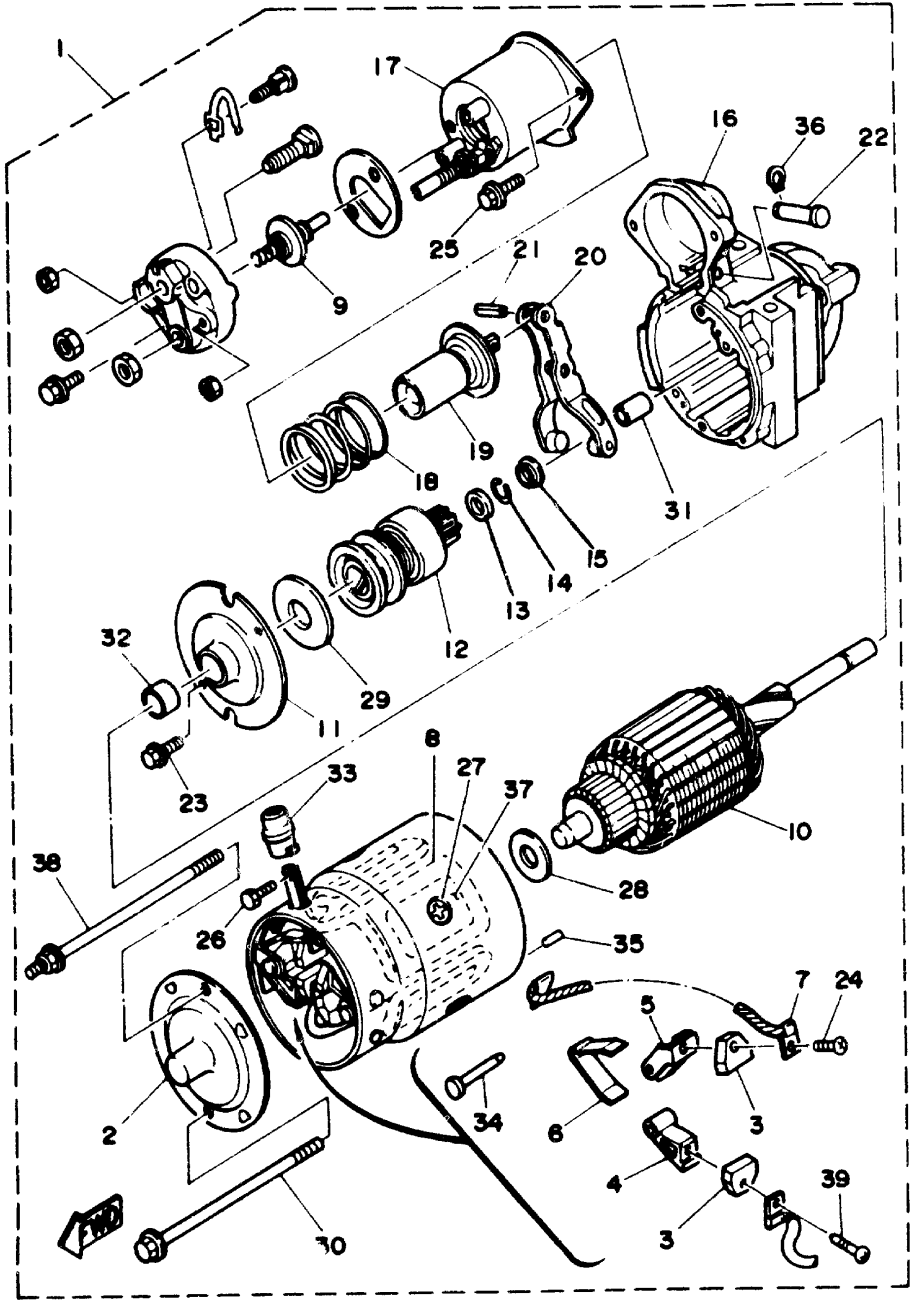
REF - NO	PART NUMBER	PART NAME	QUANTITY	REMARKS
1	YSC-10140-01-AC	ALTERNATOR ASSY (YSC-10140-00-0C)	1	
2	YSC-10140-50-0C	.HOUSING, FRONT ALTERNATOR	1	
3	YSC-10140-60-0C	.ROTOR ASSY	1	
4	YSC-10140-70-0C	.STATOR ASSY	1	
5	YSC-10140-80-0C	.HOUSING, REAR	1	
6	YSC-10140-90-0C	.FAN	1	
7	YSC-10140-00-AC	.ALTERNATOR ASSY	1	
8	YSC-10141-10-0C	.SLIP RING	1	
9	YSC-10141-20-0C	.RETAINER, ROTOR BEARING	1	
10	YSC-10141-30-0C	.FIELD DIODE	1	
11	YSC-10141-40-0C	.BRIDGE RECTIFIER	1	
12	YSC-10141-50-0C	.D-STRAP	1	
13	YSC-10141-60-0C	.BRUSH ASSY	1	
14	YSC-10141-70-0C	.FAN SPACER	1	
15	YSC-10141-80-0C	.KEY	1	
16	YSC-10141-90-0C	.FELT GASKET	1	
17	YSC-10142-00-0C	.COVER ASSY	1	
18	YSC-10142-10-0C	.LUG, AC TAP	1	
19	YSC-10142-20-0C	.VOLTAGE REGULATOR	1	
20	YSC-10142-30-0C	.BOLT, THRU (10-32X230")	4	
21	YSC-10142-40-0C	.BOLT, THRU (10-32X1/2")	4	
22	YSC-10142-50-0C	.SCREW (10-24X7/8")	2	
23	YSC-10142-60-0C	.SCREW, TAPPING (10-24X3/8")	1	
24	YSC-10142-70-0C	.SCREW, TAPPING (10-32X5/8")	8	
25	YSC-10142-80-0C	.SCREW, TAPPING (8-32X5/16")	3	
26	YSC-10142-90-0C	.NUT, HEXAGON (1/4-20X7/16")	2	
27	YSC-10143-00-0C	.LOCK NUT, HEXAGON (10-24X3/8")	6	
28	YSC-10143-10-0C	.WASHER, FLAT (#10)	3	
29	YSC-10143-20-0C	.NUT, PULLEY MOUNTING	1	
30	YSC-10143-30-0C	.WASHER, SPLIT LOCK (5/8")	1	
31	YSC-10143-40-0C	.SCREW (10-24X3/4")	1	
32	YSC-10143-50-0C	.WASHER, INSULATOR	2	
33	YSC-10140-10-0C	.CAPACITOR, 5 MFD, KIT	1	



Part List

V6_4.3_ENGINE_EST 1990 / STARTING MOTOR

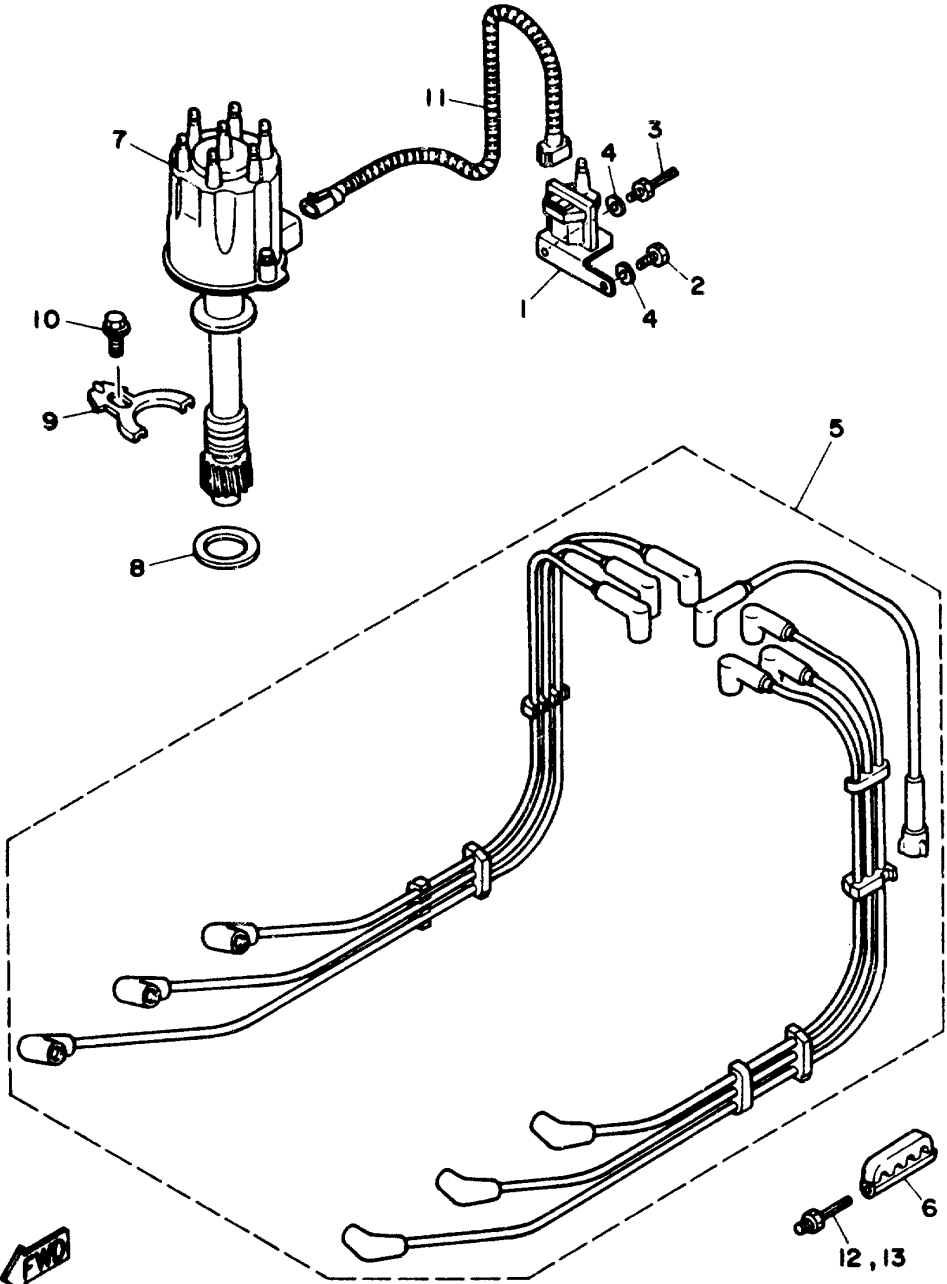
REF - NO	PART NUMBER	PART NAME	QUANTITY	REMARKS
1	YSC-10130-00-0C	STARTER ASSY	1	
2	YSG-39655-89-G0	STAY, STARTER MOTOR REAR	1	
3	YSG-14057-09-9G	BOLT, STARTER MOTOR MOUNTING	2	
4	YSC-92100-00-0C	WASHER, FLAT (1/4")	2	
5	YSC-95102-00-0C	NUT, HEXAGON (1/4-20)	1	
6	YSC-90205-06-3C	BOLT, HEXAGON (5/16- 18X5/8")	1	
7	YSC-94200-00-0C	WASHER, EXTERNAL TOOTH (5/16")	1	
8	YSC-92200-00-0C	WASHER, FLAT (5/16")	1	
9	YSC-95912-00-0C	NUT, HEXAGON (M10X1.5 BRASS)	1	
10	YSC-95902-00-0C	NUT, HEXAGON (M5X0.8 BRASS)	1	
11	YSC-93903-00-0C	WASHER, LOCK (M5)	2	



Part List

V6_4.3_ENGINE_EST 1990 / STARTING MOTOR ASSEMBLY

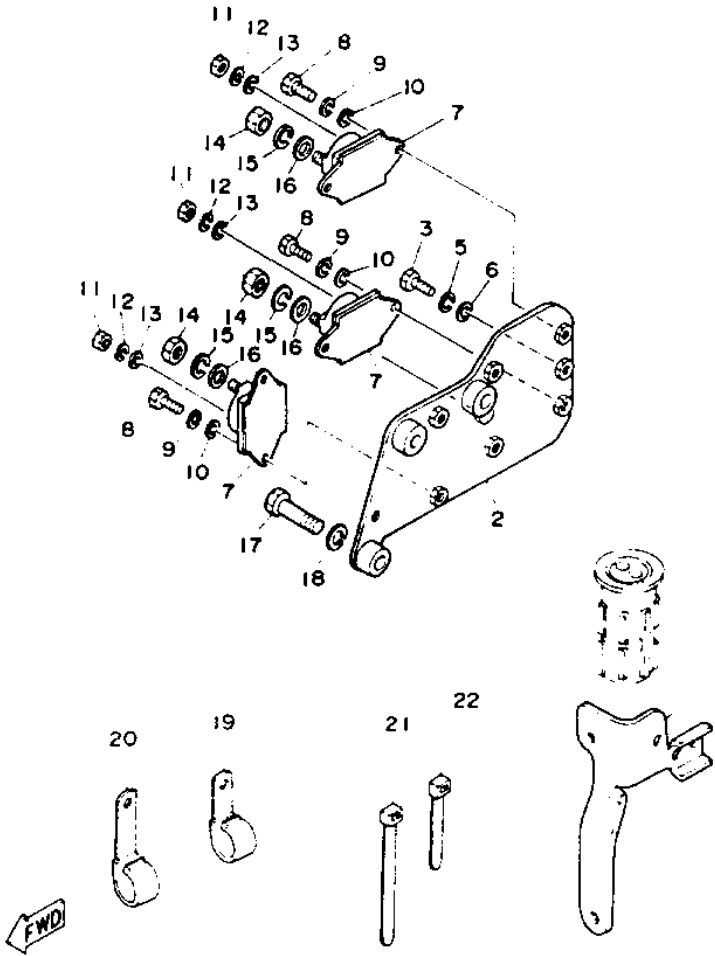
REF - NO	PART NUMBER	PART NAME	QUANTITY	REMARKS
1	YSC-10130-00-0C	STARTER ASSY	1	
2	YSC-10130-10-0C	.FRAME, COMMUTATOR END	1	
3	YSC-10130-20-0C	.BRUSH	4	
4	YSC-10130-30-0C	.HOLDER, BRUSH GROUND	2	
5	YSC-10130-40-0C	.HOLDER, BRUSH INSULATED	2	
6	YSC-10130-50-0C	.SPRING, BRUSH	2	
7	YSC-10130-70-0C	.LEAD, BRUSH GROUND	2	
8	YSC-10130-80-0C	.FIELD COIL ASSY (4 COILS)	1	
9	YSC-10130-90-0C	.CONTACT ASSY	1	
10	YSC-10131-00-0C	.ARMATURE	1	
11	YSC-10131-10-0C	.CENTER BEARING PLATE	1	
12	YSC-10131-20-0C	.DRIVE ASSEMBLY	1	
13	YSC-10131-30-0C	.COLLAR, PINION STOP DRIVE END	1	
14	YSC-10131-40-0C	.RING, PINION STOP	1	
15	YSC-10131-50-0C	.WASHER, THRUST DRIVE END	1	
16	YSC-10131-60-0C	.HOUSING, DRIVE	1	
17	YSC-10131-70-0C	.SOLENOID SWITCH	1	
18	YSC-10131-80-0C	.SPRING, PLUNGER RETURN	1	
19	YSC-10131-90-0C	.PLUNGER	1	
20	YSC-10132-00-0C	.LEVER, SHIFT	1	
21	YSC-10132-10-0C	.PIN, PLUNGER	1	
22	YSC-10132-20-0C	.STUD, SHIFT LEVER	1	
23	YSC-10132-50-0C	.SCREW & LOCK, CENTER BEARING	2	
24	YSC-10132-60-0C	.SCREW, INSULATED BRUSH ATTACHING	2	
25	YSC-10132-70-0C	.SCREW, SUPPORT ATTACHING	2	
26	YSC-10132-80-0C	.SCREW, FIELD LEAD ATTACHING	1	
27	YSC-10132-90-0C	.SCREW, POLE SHOE	4	
28	YSC-10133-10-0C	.WASHER, BRAKE COMMUTATOR END	1	
29	YSC-10133-20-0C	.WASHER	1	
30	YSC-10133-30-0C	.THRU BOLT	1	
31	YSC-10133-40-0C	.BUSHING, DRIVE END	1	
32	YSC-10133-50-0C	.BUSHING, CENTER BEARING	1	
33	YSC-10133-60-0C	.GROMMET (IN FIELD FRAME)	1	
34	YSC-10133-70-0C	.PIN, SUPORT ATTACHING	2	
35	YSC-10133-80-0C	PIN, DOWEL DRIVE END	1	
36	YSC-10133-90-0C	.RING, RETAINING SHIFT LEVER	1	
37	YSC-10134-00-0C	.POLE SHOE	4	
38	YSC-10134-10-0C	.THRU BOLT, WITH EXTENSION	1	
39	YSC-10134-20-0C	.SCREW, GROUND BRUSH ATTACHING	2	



Part List

V6_4.3_ENGINE_EST 1990 / ELECTRIC PARTS 1

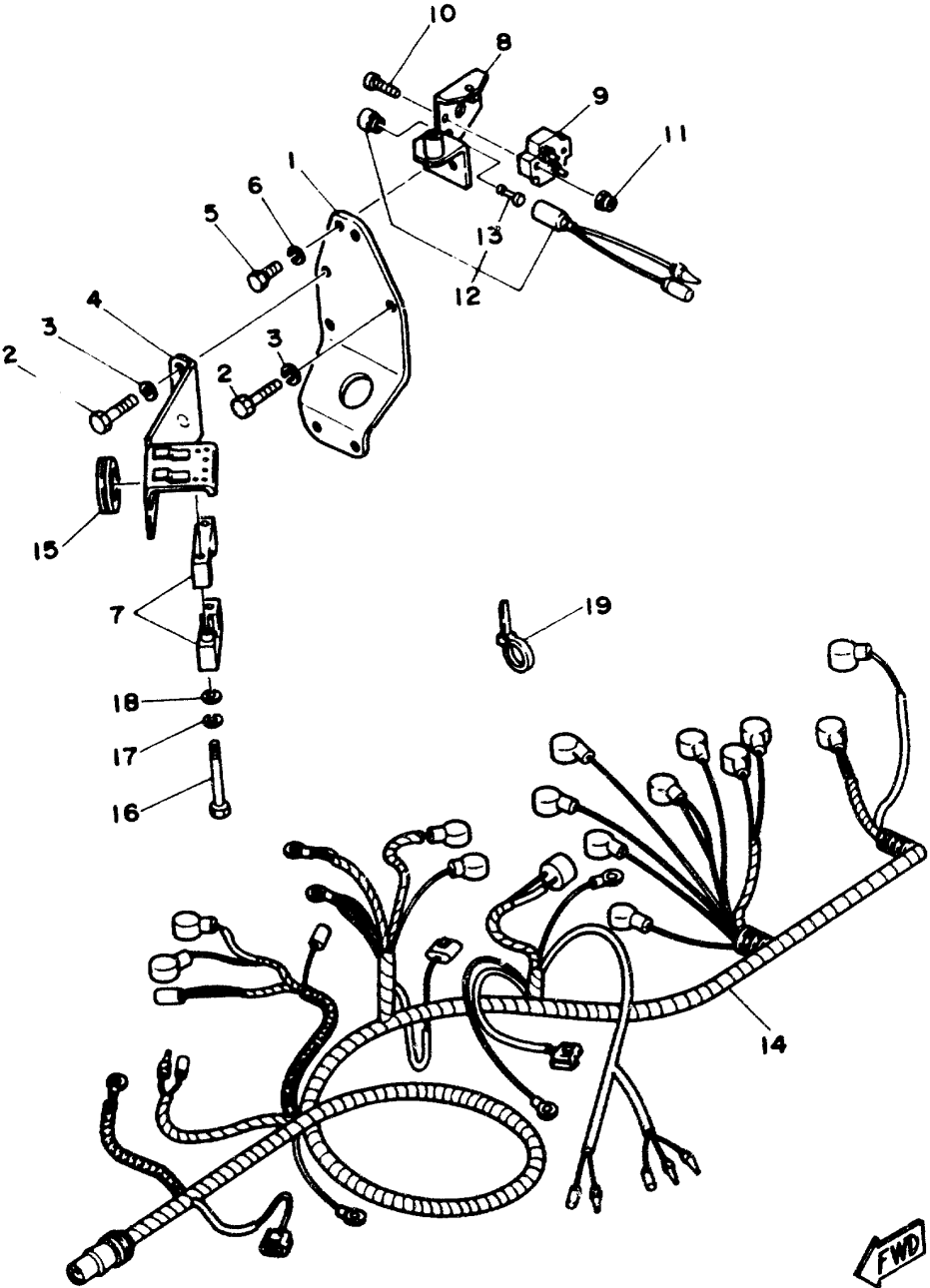
REF - NO	PART NUMBER	PART NAME	QUANTITY	REMARKS
1	YSC-14121-60-0C	COIL, IGNITION	1	
2	YSC-90305-10-0C	BOLT, HEXAGON (3/8-16X1")	1	
3	YSC-10111-90-0C	BOLT & ROLL PIN ASSY (5/8")	1	
4	YSC-93300-00-0C	WASHER, LOCK (3/8")	2	
5	YSC-16122-50-0C	WIRE SET, IGNITION	1	
6	YSC-10120-80-0C	RETAINER, IGNITION WIRE	3	
7	YSC-16132-00-0CC	DISTRIBUTOR	1	
8	YSC-10108-44-5G	GASKET, IGNITION TIMER DIST (YSG-10066-01-8G)	1	
9	YSG-14007-38-5G	CLAMP, DISTRIBUTOR HOLD- DOWN	1	
10	YSC-10123-10-0C	BOLT, HEXAGON (3/8-16X1")	1	
11	YSC-14150-80-0C	LEAD WIRE ASSY	1	
12	YSC-10111-90-0C	BOLT & ROLL PIN ASSY (5/8")	1	SHORT
13	YSC-10111-91-0C	BOLT & ROLL PIN ASSY (1")	2	LONG



Part List

V6_4.3_ENGINE_EST 1990 / ELECTRIC PARTS 2

REF - NO	PART NUMBER	PART NAME	QUANTITY	REMARKS
1	YSC-10111-40-0C	BRACKET (100A FUSE)	1	
2	YSC-10111-70-BC	BRACKET, RELAY SOLENOID	1	
3	YSC-90105-10-0C	BOLT, HEXAGON (1/4-20X1")	1	
4	YSC-95100-00-0C	NUT, HEXAGON (1/4-20)	1	
5	YSC-93100-00-0C	WASHER, LOCK (1/4")	1	
6	YSC-92100-00-0C	WASHER, FLAT (1/4")	1	
7	YSC-10122-40-0C	SOLENOID, RELAY	3	
8	YSC-90105-07-5C	BOLT, HEXAGON (1/4-20X3/4")	6	
9	YSC-93100-00-0C	WASHER, LOCK (1/4")	6	
10	YSC-92100-00-0C	WASHER, FLAT (1/4")	6	
11	YSC-95200-00-0C	NUT, HEXAGON (5/6-18 BRASS)	6	
12	YSC-93230-00-0C	WASHER, LOCK (5/16")	6	
13	YSC-92211-10-0C	WASHER, FLAT (5/16" BRASS)	6	
14	YSC-95011-00-0C	NUT, HEXAGON (#10-32 BRASS)	6	
15	YSC-93030-00-0C	WASHER, LOCK (#10)	6	
16	YSC-92011-10-0C	WASHER, FLAT (#10)	6	
17	YSC-90305-15-0C	BOLT, HEXAGON (3/8-16X1-1/2")	3	
18	YSC-93300-00-0C	WASHER, LOCK (3/8")	3	
19	YSC-10112-30-0C	CLAMP, WIRE HARNESS (3/4")	2	
20	YSC-10120-90-0C	CLAMP, WIRE HARNESS (1/2")	1	
21	YSC-10122-60-0C	TIE WRAP (5-3/8")	12	
22	YSC-10122-70-0C	TIE WRAP	3	



Part List

V6_4.3_ENGINE_EST 1990 / ELECTRIC PARTS 3

REF - NO	PART NUMBER	PART NAME	QUANTITY	REMARKS
1	YSC-10161-50-0C	BRACKET, FUEL FILTER MOUNTING	1	
2	YSC-90305-10-0C	BOLT, HEXAGON (3/8-16X1")	3	
3	YSC-93300-00-0C	WASHER, LOCK (3/8")	3	
4	YSC-10111-80-0C	BRACKET, 9-PIN ROUND CONNECTOR	1	
5	YSC-90105-10-0C	BOLT, HEXAGON (1/4-20X1")	2	
6	YSC-93100-00-0C	WASHER, LOCK (1/4")	2	
7	YSC-10111-30-0C	ANCHOR, 9-PIN ROUND CONNECTOR	2	
8	YSC-10112-20-BC	BRACKET, CIRCUIT BREAKER	1	
9	YSC-10120-40-0C	CIRCUIT BREAKER (60A)	1	
10	YSC-91001-08-8C	BOLT, SLOT PAN (#10- 24X1/8")	2	
11	YSC-96000-00-0C	NUT (#10-32 KEPS)	2	
12	YSC-10122-20-AC	FUSE HOLDER (10A)	1	1000391 & FOLLOWING
12	YSC-10122-20-0C	FUSE HOLDER (10A)	1	100390 & BELL
13	YSC-10122-30-0C	.FUSE (10A)	1	
14	YSC-16150-00-0C	WIRE HARNESS ASSEMBLY	1	
15	YSC-10121-30-0C	GROMMET, 9-PIN ROUND CONNECTOR	1	
16	YSC-90105-25-0C	BOLT, HEXAGON (1/4-20X2- 1/2")	2	
17	YSC-93100-00-0C	WASHER, LOCK (1/4")	2	
18	YSC-92100-00-0C	WASHER, FLAT (1/4")	2	
19	YSC-10122-60-0C	TIE WRAP (5-3/8")	2	