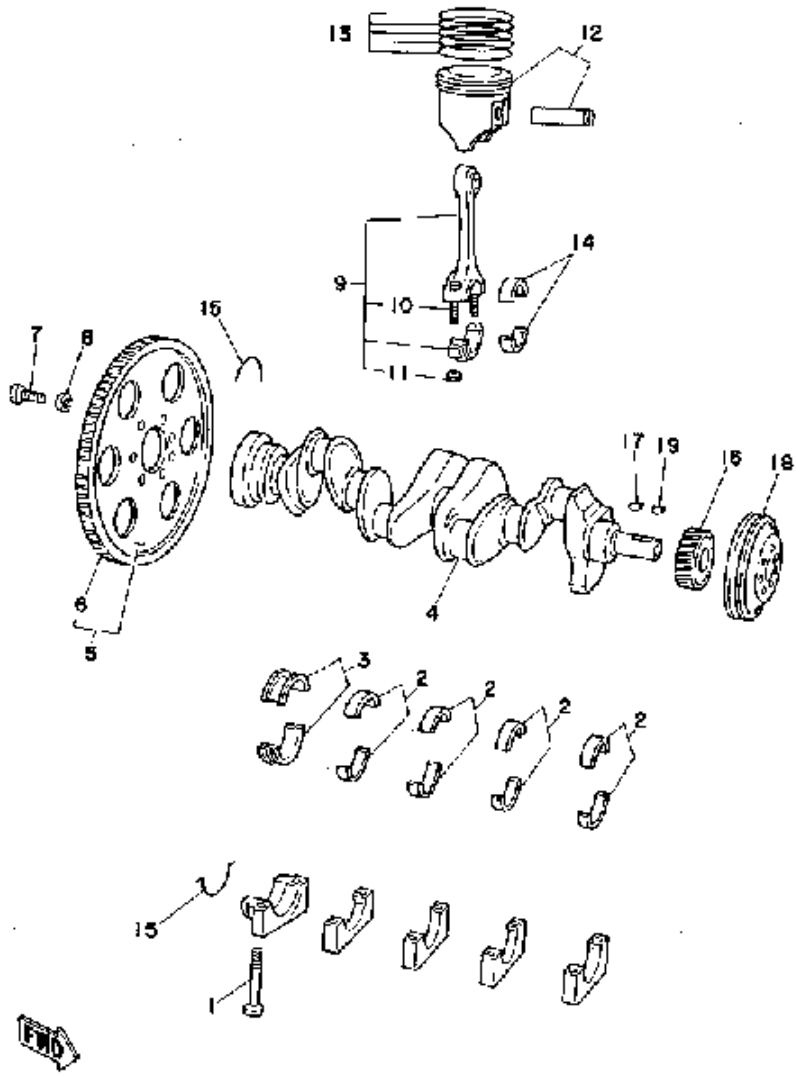


Part List

L4_3.0_ENGINE_EST 1993 / CYLINDER - CAMSHAFT

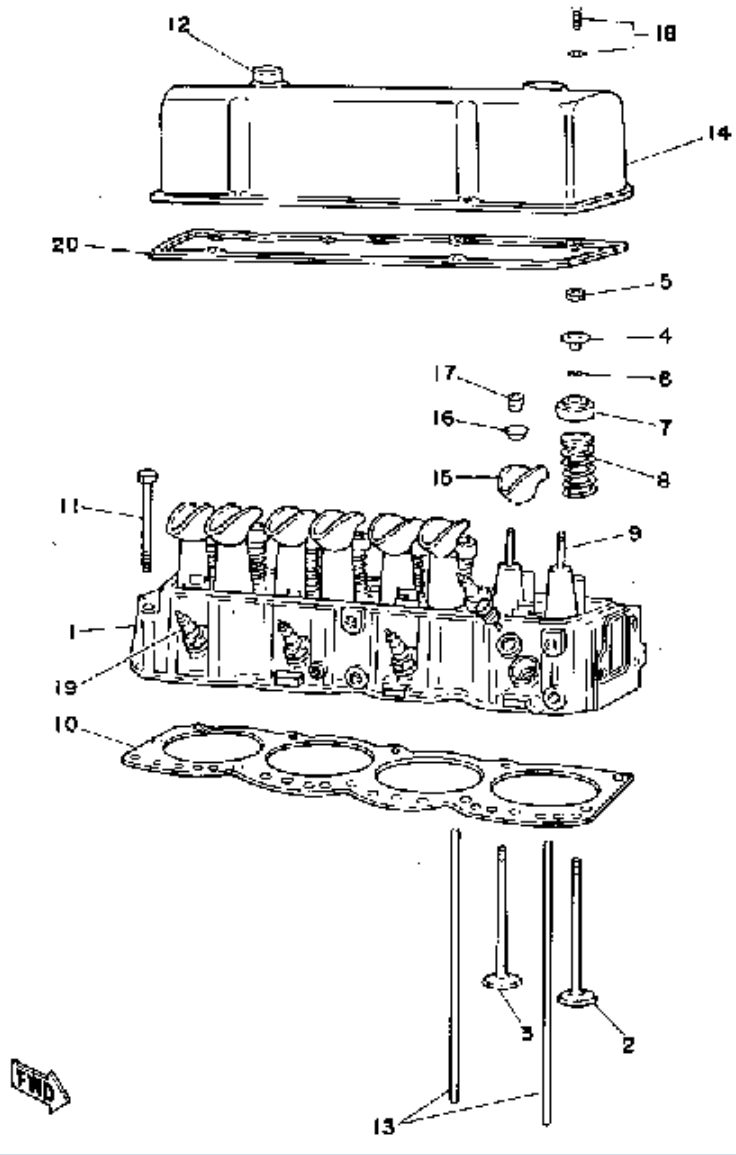
REF - NO	PART NUMBER	PART NAME	QUANTITY	REMARKS
0	YSC-ENGL4-00-0C	LONGBLOCK L4 3.0L	1	
1	YSC-34706-4G-00	CYLINDER & CASE	1	
2	YSG-38265-04-G0	PLUG, WATER JACKET	2	
3	YSG-14090-91-1G	PLUG ASSY, MAIN OIL GALLERY	1	
3	YSG-38265-05-G0	PLUG, WATER JACKET (RIGHT REAR)	1	
3	YSG-38355-77-G0	PLUG, MAIN OIL GALLERY	1	
4	YSG-14002-52-5G	BEARING, CAM SHIFT	3	
5	YSG-37041-58-G0	PLUG, CAM SHIFT (YSG- 39942-55-G0)	1	
5	YSG-10036-98-4G	PLUG, CAM SHIFT (YSG- 39942-55-G0)	1	
6	YSG-39922-51-G0	COVER ASSY, CYLINDER CASE	1	
7	YSG-10111-76-9G	SEAL ASSY	1	
8	YSG-12175-3G-00	WASHER, LOCK	8	
9	YSG-18001-6G-00	BOLT, VALVE ROCKER COVER	8	
10	YSG-14096-15-6G	GASKET, CYLINDER CASE	1	
11	YSG-10120-93-9G	PUMP ASSY, WATER	1	
12	YSG-10101-25-6G	GASKET, WATER PUMP	1	
13	YSG-44389-9G-00	BOLT	2	
14	YSG-18008-3G-00	BOLT, WATER PUMP (RIGHT)	2	
15	YSG-39377-64-G0	CAMSHAFT ASSY (YSG- 93413-53-1G)	1	
16	YSG-10675-1G-00	KEY	1	
17	YSG-39841-14-G0	GEAR, CAM SHAFT	1	
18	YSG-10044-54-4G	BEARING, CAM SHAFT THRUST (YSG-10000-56-8G)	1	
19	YSG-12175-3G-00	WASHER, LOCK	2	
20	YSG-18001-6G-00	BOLT, VALVE ROCKER COVER	2	
21	YSG-52327-20-G0	LIFTER ASSY	8	
22	YSG-10024-13-7G	COVER, PUSH ROD	1	
23	YSG-14096-15-5G	GASKET, PUSH ROD COVER	1	
24	YSG-38143-50-G0	BOLT & SEAL ASSY, PUSH ROD COVER	4	
25	YSG-58592-7G-00	PIN	2	
26	YSC-10201-50-0C	DRAIN COCK, EXHAUST MANIFOLD	1	
27	YSG-38759-50-G0	NOZZLE, TIMING GEAR OIL	1	NOT SHOWN
28	YSG-37922-85-G0	WASHER, DIST GEAR THRUST	1	NOT SHOWN
29	YSG-12338-11-9G	PIN (YSG-14536-58-G0)	2	NOT SHOWN
30	YSG-37922-86-G0	BEARING, OIL PUMP SHAFT PILOT	1	NOT SHOWN



Part List

L4_3.0_ENGINE_EST 1993 / CRANKSHAFT - PISTON

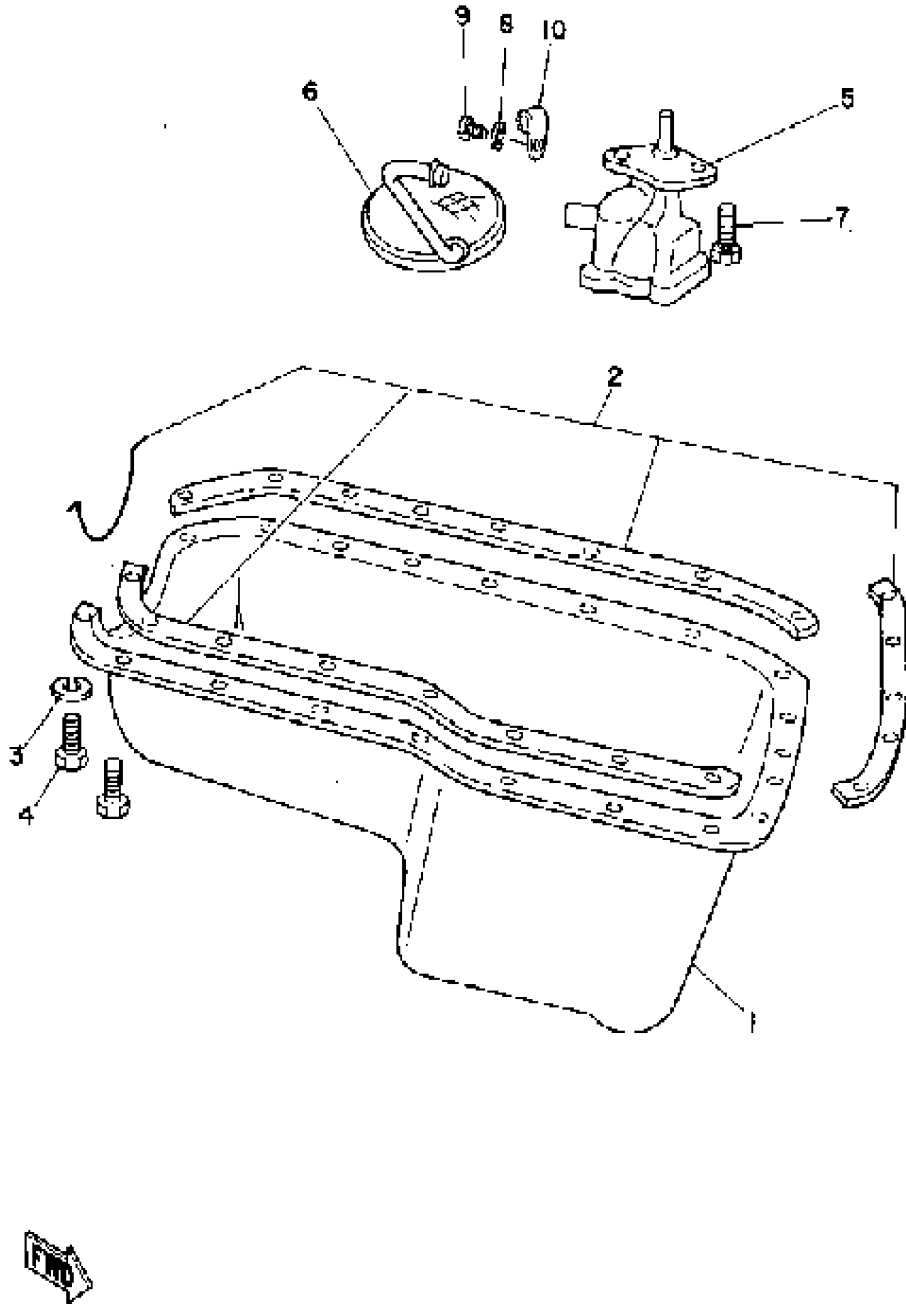
REF - NO	PART NUMBER	PART NAME	QUANTITY	REMARKS
1	YSG-38727-81-G0	BOLT, MAIN BEARING CAP	10	
2	YSG-12329-95-5G	BEARING, CRANKSHAFT (.001 US)	4	AP 1-2-3-4
2	YSG-12329-95-7G	BEARING, CRANKSHAFT (.010 US)	4	AP 1-2-3-4
2	YSG-12329-95-8G	BEARING, CRANKSHAFT (.020 US)	4	AP 1-2-3-4
2	YSG-12329-95-9G	BEARING, CRANKSHAFT (.030 US)	4	AP 1-2-3-4
2	YSG-12329-95-4G	BEARING, CRANKSHAFT UPPER (ST)	4	1-2-3-4
3	YSG-12329-77-8G	BEARING, CRANKSHAFT REAR UPPER	1	AP (.020 US)
3	YSG-12329-77-4G	BEARING, CRANK SHAFT REAR UPPER	1	
3	YSG-12329-77-5G	BEARING, CRANKSHAFT REAR UPPER	1	AP (.001 US)
3	YSG-12329-77-7G	BEARING, CRANKSHAFT REAR UPPER	1	AP (.010 US)
3	YSG-12329-77-9G	BEARING , CRANKSHAFT REAR UPPER	1	AP (.030 US)
4	YSG-93413-52-7G	CRANKSHAFT	1	
5	YSG-27788-09-G0	FLYWHEEL ASSEMBLY	1	
6	YSG-39914-07-G0	.GEAR, FLYWHEEL RING	1	
7	YSG-83975-6G-00	BOLT, FLYWHEEL	6	
8	YSG-13685-7G-00	WASHER LOCK, FLYWHEEL	6	
9	YSG-93409-32-9G	ROD ASSEMBLY, CONNECTING	1	
10	YSG-14050-53-2G	.BOLT/SCREW, CONNECTING ROD	2	
11	YSG-22585-4G-00	.NUT, CONNECTING ROD	2	
12	YSG-93419-82-1G	PISTON & PIN ASSY (.030 OS)	4	
12	YSG-93419-81-9G	PISTON & PIN ASSY (STD)	4	
13	YSG-14089-02-5G	PISTON RING	4	
13	YSG-14089-02-6G	PISTON RING	4	
14	YSG-12329-74-7G	BEARING, CONNECTING ROD (YSG-39105-55-G0)	8	
14	YSG-12329-42-6G	BEARING, CONNECTING ROD (YSG-39105-57-G0)	8	AP
14	YSG-12329-74-9G	BEARING, CONNECTING ROD (YSG-39105-58-G0)	8	AP
14	YSG-12329-42-7G	BEARING, CONNECTING ROD (YSG-39105-59-G0)	8	AP
14	YSG-10065-26-7G	BEARING, CONNECTING ROD (YSG-39105-56-G6)	8	AP
15	YSG-10121-04-4G	SEAL ASSY, CRANKSHAFT REAR OIL	2	
16	YSG-27689-86-G0	GEAR, CRANKSHAFT	1	
17	YSG-10675-1G-00	KEY	1	
18	YSG-38262-80-G0	DAMPER ASSY, TORSIONAL	1	
19	YSG-10675-1G-00	KEY	1	



Part List

L4_3.0_ENGINE_EST 1993 / CYLINDER HEAD - VALVE

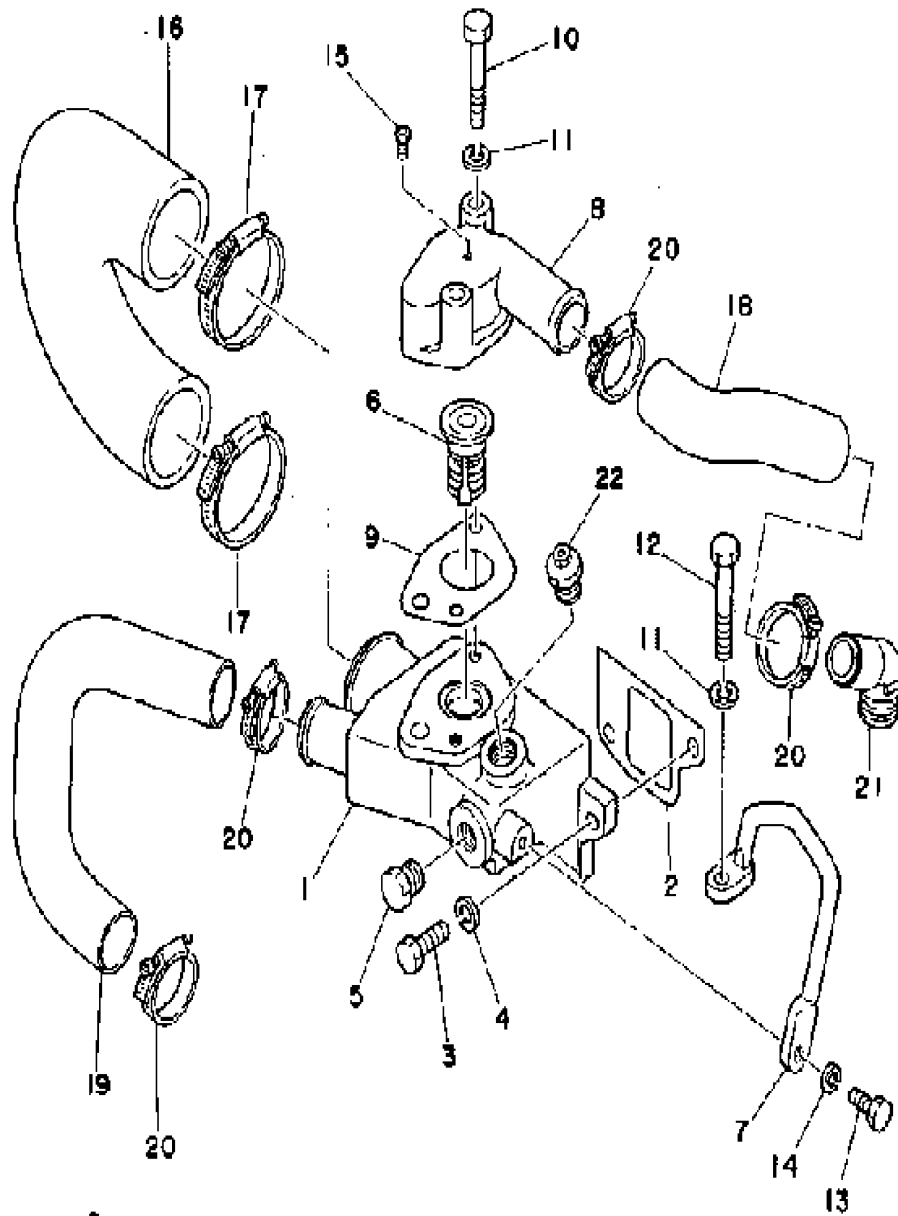
REF - NO	PART NUMBER	PART NAME	QUANTITY	REMARKS
1	YSG-34705-6G-00	HEAD, CYLINDER	1	
2	YSG-10166-15-2G	VALVE, INTAKE (YSG-14034-07-9G)	4	AP
2	YSG-14034-07-8G	VALVE, INLET (.0035 OS)	4	AP
2	YSG-14034-08-0G	VALVE, INLET (.0305 OS)	4	AP
2	YSG-14025-57-3G	VALVE, INTAKE	4	AP
3	YSG-39377-50-G0	VALVE ASSY, EXHAUST (STD)	4	
3	YSG-39409-13-G0	VALVE ASSY, EXHAUST (.0155 OS)	4	AP
4	YSG-10038-20-9G	CAP, VALVE SPRING	8	
5	YSG-39477-70-G0	KEY, VALVE STEM	16	
6	YSG-38353-33-G0	SEAL, VALVE STEM OIL	8	
7	YSG-10007-81-8G	SHIELD, VALVE STEM OIL	8	
8	YSG-37353-81-G0	SPRING & DAMPER ASSY, VALVE	8	
9	YSG-38146-92-G0	STUD	8	UR
9	YSG-38158-92-G0	STUD	8	UR
10	YSG-14096-66-0G	GASKET, CYLINDER HEAD	1	
11	YSG-14079-53-9G	BOLT, CYLINDER HEAD	10	
12	YSG-10110-85-9G	CAP, OIL FILLER (YSG-14094-76-4G)	1	
13	YSG-10067-33-5G	ROD ASSY, PUSH	8	
14	YSG-27700-89-G0	COVER ASSY, VALVE ROCKER	1	
15	YSG-57235-51-G0	ARM, VALVE ROCKER	8	
16	YSG-39922-94-G0	BALL, VALVE ROCKER ARM	8	
17	YSG-46593-4G-00	NUT, VALVE ROCKER ARM ADJUSTING	8	
18	YSG-18001-6G-00	BOLT, VALVE ROCKER COVER	8	
19	NGK-BR6FS-00-00	SPARK PLUG (NGK BR6FS)	4	
20	YSG-14096-15-4G	GASKET, VALVE COVER	1	



Part List

L4_3.0_ENGINE_EST 1993 / OIL PAN - OIL PUMP

REF - NO	PART NUMBER	PART NAME	QUANTITY	REMARKS
1	YSG-39277-04-G0	PAN ASSEMBLY, OIL	1	
1	YSG-93419-74-0G	PAN ASSEMBLY, OIL	1	NEW STYLE
2	YSG-14096-17-8G	GASKET, OIL PAN	1	
2	YSG-14096-63-7G	GASKET, OIL PAN	1	ONE PIECE GASKET
3	YSG-12063-8G-00	WASHER, OIL PAN TO CASE	18	
4	YSG-18007-5G-00	BOLT	18	
5	YSG-38294-33-G0	.VALVE, OIL PRESS	1	
5	YSG-94395-10-G0	.LOCK WASHER	4	
5	YSG-13304-3G-00	.SCREW	4	
5	YSG-37899-70-G0	.GASKET, OIL PUMP COVER	1	
5	YSG-37925-07-G0	.COVER, OIL PUMP	1	
5	YSG-10367-7G-00	.PIN, OIL PRESS REG VALVE SPRING	1	
5	YSG-14091-48-5G	PUMP ASSY, OIL (YSG- 38324-49-G0)	1	
5	YSG-38149-03-G0	.SPRING, OIL PRESS	1	
5	YSG-39308-24-G0	.PLUG, OIL PRESS	1	
6	YSG-27781-92-G0	PIPE & SCREEN ASSY	1	
7	YSG-94248-77-G0	BOLT	2	
8	YSG-24361-61-G0	WASHER, OIL PUMP	1	
9	YSG-94251-13-G0	BOLT, OIL PUMP	1	
10	YSG-39704-17-G0	SUPPORT ASSY, OIL PUMP	1	

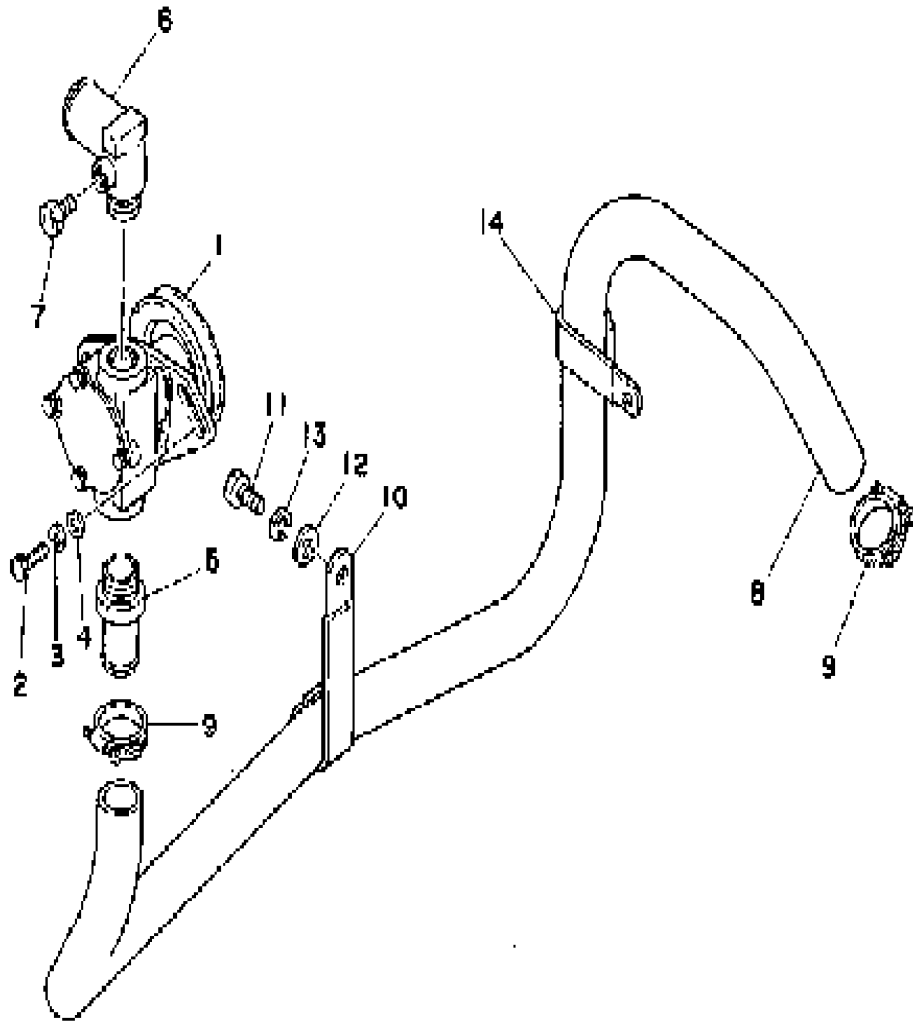


NOTE A: INTERCHANGEABLE - EITHER PART CAN BE USED ON ALL ENGINES

Part List

L4_3.0_ENGINE_EST 1993 / THERMOSTAT HOUSING

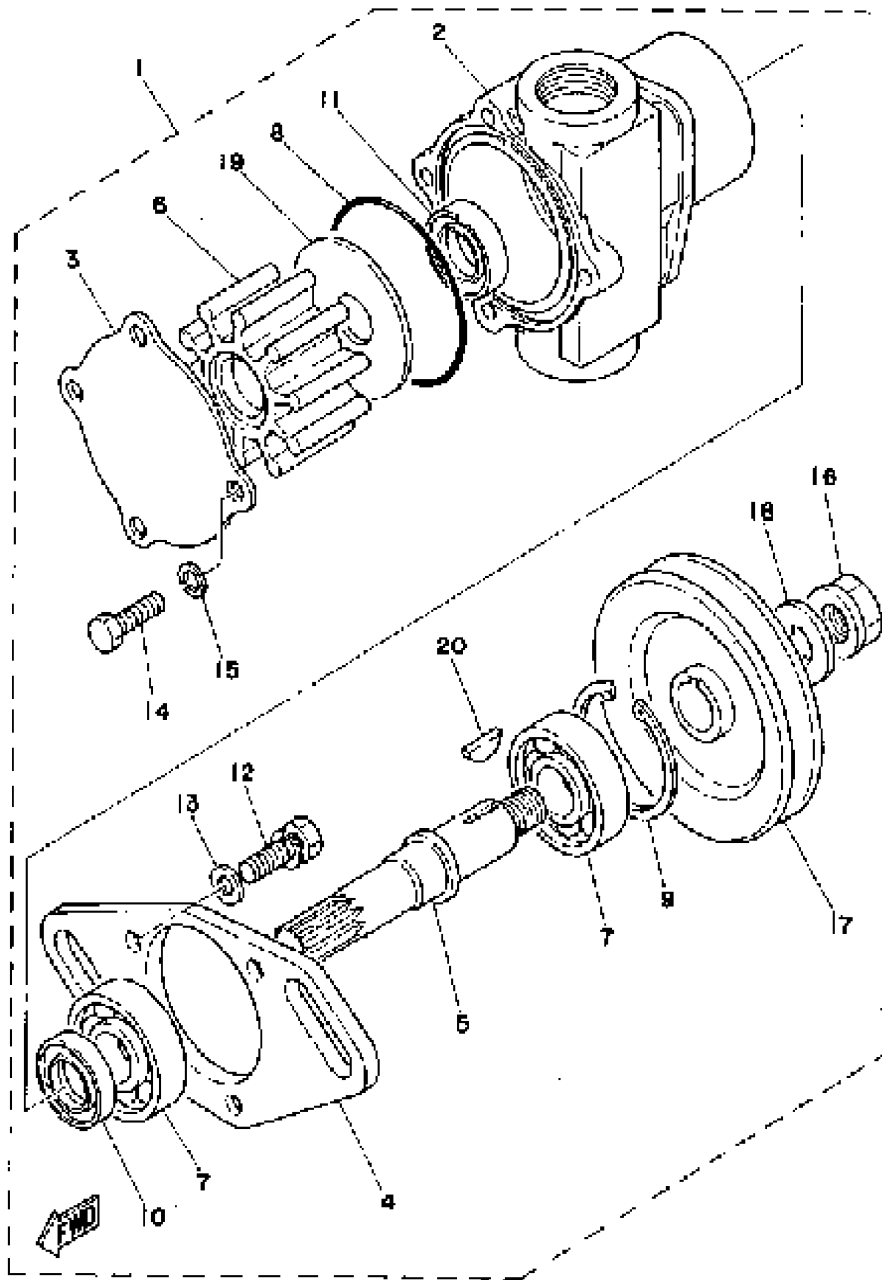
REF - NO	PART NUMBER	PART NAME	QUANTITY	REMARKS
1	YSC-13081-30-0C	HOUSING, THERMOSTAT	1	
2	YSC-13080-00-0C	GASKET, THERMOSTAT HOUSING	1	
3	YSC-90305-10-0C	BOLT, HEXAGON (3/8-16X1")	2	SEE NOTE A
3	YSC-90300-10-0C	BOLT, HEXAGON (3/8-16X1")	2	
4	YSC-93300-00-0C	WASHER, LOCK (3/8")	2	
5	6T0-82560-00-00	SWITCH, WATER TEMPERATURE	1	300248 ~
5	90345-10M00-00	PLUG (3/8-19 G 1/2 B)	1	SEE NOTE B
6	YSC-13090-00-0C	THERMOSTAT	1	
7	YSC-13281-70-0C	HANGER, ENGINE	1	
8	YSC-13081-40-0C	COVER, THERMOSTAT HOUSING	1	
9	YSC-13080-10-AC	GASKET, THERMOSTAT HOUSING COVER (YSC-13080-10-0C)	1	
10	YSC-90305-20-0C	BOLT, HEXAGON (3/8-16X2")	1	
11	YSC-93300-00-0C	WASHER, LOCK (3/8")	2	
12	YSC-90305-22-5C	BOLT, HEXAGON (3/8-16X2-1/4")	1	
13	YSC-90205-07-5C	BOLT, HEXAGON (5/16-18X3/4")	1	
14	YSC-93200-00-0C	WASHER, LOCK (5/16")	1	
15	YSC-10091-10-0C	PLUG, HOUSING COVER VENT	1	
16	YSC-13081-80-0C	HOSE	1	
17	YSC-10091-40-0C	CLAMP (#32)	2	
18	YSC-13082-60-AC	HOSE	1	
19	YSC-13082-70-AC	HOSE	1	
20	YSC-10091-30-0C	CLAMP (#20)	4	
21	YSC-12191-60-0C	ELBOW, EXHAUST MIXING	1	1 N.P.T.
22	YSC-10120-00-0C	SENDER, WATER TEMPERATURE	1	



Part List

L4_3.0_ENGINE_EST 1993 / RAW WATER PUMP

REF - NO	PART NUMBER	PART NAME	QUANTITY	REMARKS
1	6T3-12430-01-00	RAW WATER ASSY (SEE GRID B-5, REF. #1)	1	SEE NOTE
2	YSC-90208-12-5C	BOLT, HEXAGON (5/16- 18X1/4")	2	
3	YSC-93200-00-0C	WASHER, LOCK (5/16")	2	
4	YSC-92202-00-1C	WASHER, FLAT (5/16")	2	
5	YSC-10191-70-0C	ADAPTER, EXHAUST MIXING	1	
6	YSC-13082-80-0C	ADAPTOR, HOSE (1.25 I.D.) 3/4" N.P.T.	1	
7	YSC-10230-20-0C	PLUG, HEXAGON (18" NPT BRASS)	1	
8	YSC-13082-20-AC	HOSE, OUTDRIVE TO RAW WATER PUMP	1	
9	YSC-10091-20-0C	CLAMP (#16)	2	
10	YSC-10082-50-0C	CLAMP, SUPPORT HOSE (1- 7/16")	1	TYPE J
11	YSC-90305-07-5C	BOLT, HEXAGON (3/8- 16X3/4")	1	
12	YSC-92300-00-0C	WASHER, FLAT (5/16")	1	
13	YSC-93300-00-0C	WASHER, LOCK (3/8")	1	
14	YSC-10091-70-0C	CLAMP, SUPPORT HOSE (1- 5/8")	1	





Part List

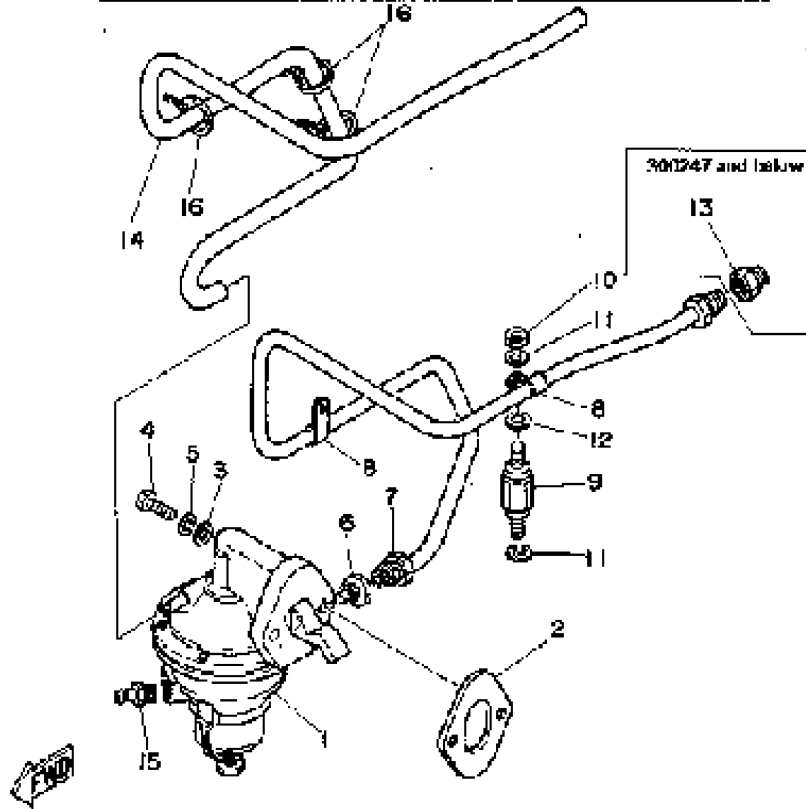
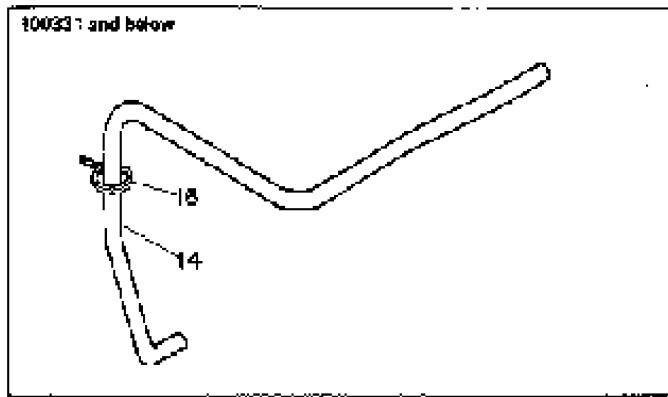
L4_3.0_ENGINE_EST 1993 / RAW WATER PUMP ASSEMBLY

REF - NO	PART NUMBER	PART NAME	QUANTITY	REMARKS
1	6T3-12430-01-00	RAW WATER ASSY (SEE GRID B-5, REF. #1)	1	
2	6T3-12421-01-00	.HOUSING, WATER PUMP	1	
3	6T3-12422-00-00	.COVER, HOUSING	1	
4	6T3-12429-00-00	.BRACKET, WATER PUMP	1	
5	6T3-12426-01-00	.SHAFT	1	
6	70R-12457-00-00	.IMPELLER	1	
7	93306-203U0-00	.BEARING	2	
8	93210-60M99-00	.O-RING	1	
9	93420-40064-00	.CIRCLIP	1	
10	93101-16M36-00	.OIL SEAL	1	
11	93101-16M48-00	.OIL SEAL	1	
12	97512-06420-00	.BOLT, HEXAGON WITH WASHER	4	
13	92990-06200-00	.WASHER, PLAIN	4	
14	97095-06012-00	.BOLT	4	
15	92995-06100-00	.WASHER, SPRING	4	
16	95701-12500-00	.NUT, FLANGE	1	
17	6T3-12441-01-00	.PULLEY 1	1	
18	90201-120E8-00	.WASHER, PLATE	1	
19	6T3-12431-00-00	.PLATE, WEAR	1	
20	90280-03043-00	.KEY, WOODRUFF	1	

Part Notes

L4_3.0_ENGINE_EST 1993 / RAW WATER PUMP ASSEMBLY

PART NUMBER		NOTE TEXT
92990-06200-00		OEM: This part number is among the Top 100 Most Popular Marine Maintenance Parts as of February 2013.
92995-06100-00		OEM: This part number is among the Top 100 Most Popular Marine Maintenance Parts as of February 2013.

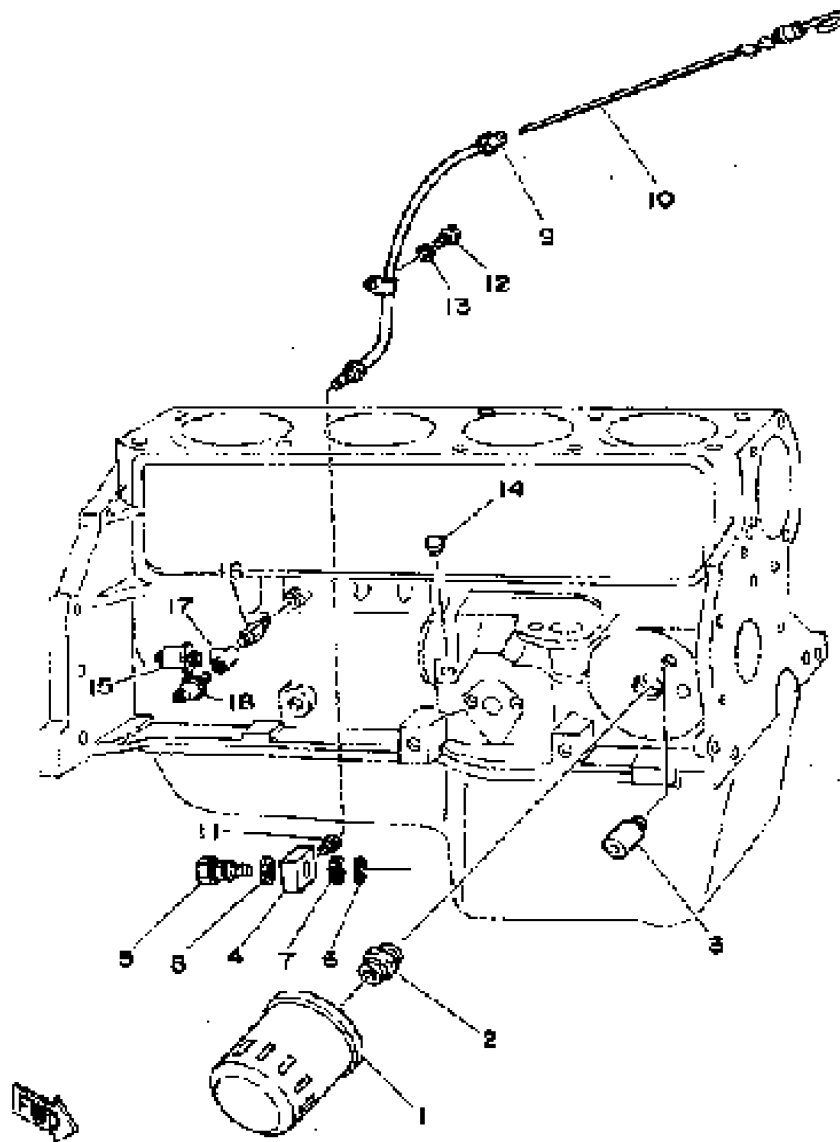


NOTE C: NOT INTERCHANGEABLE - REFER TO SERIAL NO.

Part List

L4_3.0_ENGINE_EST 1993 / FUEL PUMP - FUEL FILTER

REF - NO	PART NUMBER	PART NAME	QUANTITY	REMARKS
1	YSC-13170-10-0C	PUMP, FUEL	1	
2	YSC-13162-00-0C	SPACER, FUEL PUMP MOUNTING	1	
3	YSC-92200-00-0C	WASHER, FLAT (5/16")	2	
4	YSC-90208-12-5C	BOLT, HEXAGON (5/16- 18X1/4")	2	
5	YSC-93200-00-0C	WASHER, LOCK (5/16")	2	
6	YSC-13171-90-0C	CONNECTOR, FUEL PUMP TO FUEL LINE	1	
7	YSC-13161-21-0C	FUEL LINE, PUMP TO CARBURETOR	1	300248~
7	YSC-13161-20-0C	FUEL LINE, PUMP TO CARBURETOR	1	SEE NOTE C
8	YSC-10171-70-0C	CLAMP, FUEL LINE SUPPORT	2	
9	YSC-13162-20-0C	STUD, FUEL LINE CLAMPING	1	
10	YSC-95300-00-0C	NUT, HEXAGON	1	
11	YSC-93300-00-0C	WASHER, LOCK (3/8")	2	
12	YSC-92300-00-0C	WASHER, FLAT (5/16")	1	
13	YSC-13171-80-0C	CONNECTOR	1	~300247
14	YSC-10330-10-0C	HOSE, FUEL FUME BYPASS (YSC-10170-30-0C)	1	
15	YSC-10171-40-0C	PLUG, FUEL PUMP	1	
16	YSC-10122-60-0C	TIE WRAP (5-3/8")	3	100332~
16	YSC-10122-60-0C	TIE WRAP (5-3/8")	1	BLACK
17	YSC-13171-30-0C	FILTER, FUEL PUMP	1	NOT SHOWN

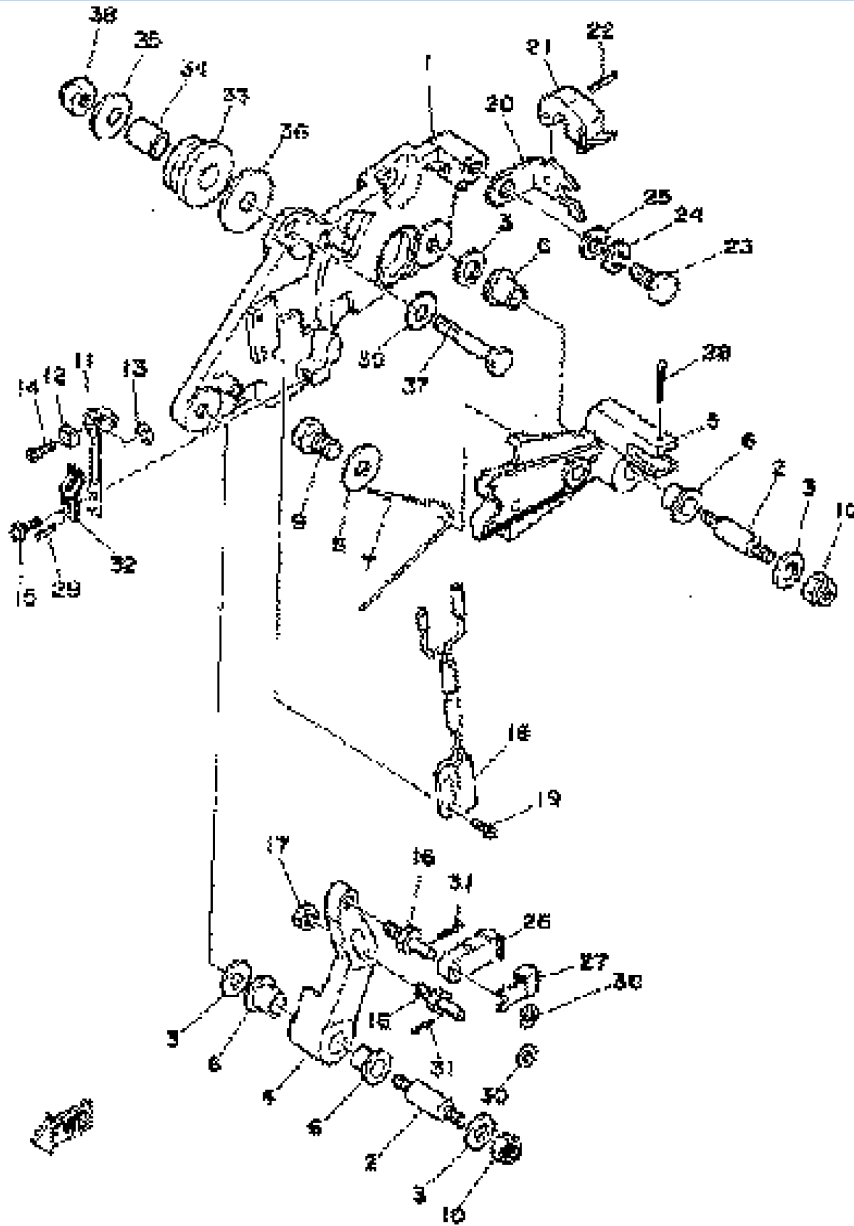


NOTE C: NOT INTERCHANGEABLE - REFER TO SERIAL NO.

Part List

L4_3.0_ENGINE_EST 1993 / OIL FILTER - OIL GAUGE

REF - NO	PART NUMBER	PART NAME	QUANTITY	REMARKS
1	YSC-13231-20-0C	FILTER, OIL	1	
2	YSG-38538-70-G0	CONNECTOR, OIL FILTER	1	
3	YSG-55754-16-G0	VALVE, OIL FILTER BYPASS	1	
4	YSC-10220-30-0C	BLOCK, OIL DIPSTICK	1	
5	YSC-10220-40-0C	SCREW, OIL ADAPTER BLOCK	1	
6	YSG-14090-90-8G	GASKET, OIL PAN SCREW (YSC-10231-40-0C)	1	
7	YSC-10220-50-0C	WASHER, ADAPTER TO OIL PAN	1	
8	YSC-10220-60-0C	WASHER, OIL ADAPTER BLOCK	1	
9	YSC-13221-90-0C	TUBE, OIL LEVEL GAUGE (YSC-13221-20-0C)	1	
10	YSC-13230-10-AC	GAUGE ASSY, OIL LEVEL (YSC-13230-10-0C)	1	
11	YSC-10231-30-0C	ADAPTOR, TUBE TO ADAPTER BLOCK	1	
12	YSC-90305-07-5C	BOLT, HEXAGON (3/8- 16X3/4")	1	
13	YSC-93300-00-0C	WASHER, LOCK (3/8")	1	
14	YSC-13221-30-AC	PLUG, OIL GAUGE HOLE	1	
15	YSC-10120-10-0C	SENDER, OIL PRESSURE	1	
16	YSC-13123-50-0C	ADAPTOR, OIL PRESSURE SENDER	1	SEE NOTE C
16	YSC-13123-90-0C	ADAPTOR, OIL PRESSURE SENDER	1	300248 ~
17	YSC-13124-00-0C	ADAPTER, PIPE "T"	1	300248 ~
18	YSC-10120-20-0C	SWITCH, OIL PRESSURE	1	300248 ~



NOTE: THESE PARTS (REF. #7, 11 & 32) ARE INTERCHANGEABLE AS A SET.

Part List

L4_3.0_ENGINE_EST 1993 / IGNITION INTERRUPTION UNIT 1

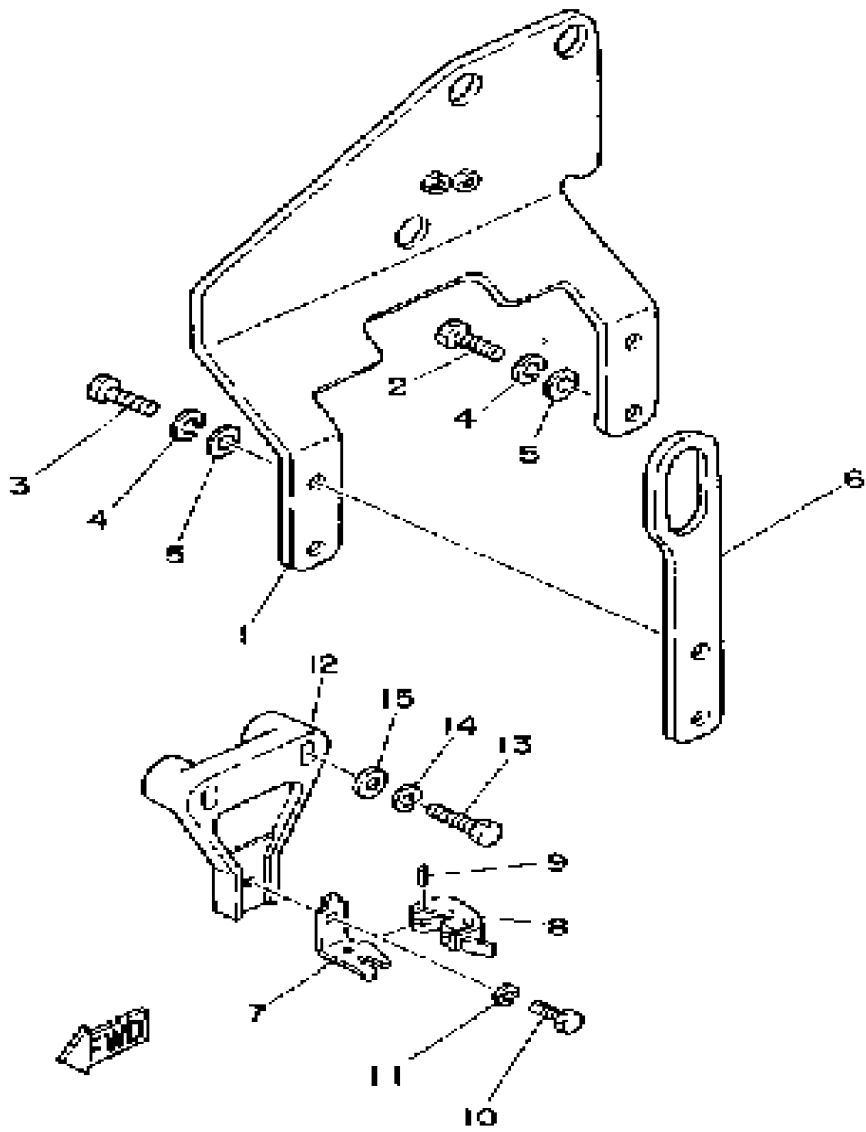
REF - NO	PART NUMBER	PART NAME	QUANTITY	REMARKS
1	6T0-45693-00-33	PLATE, SHIFT	1	
2	6T0-44178-00-00	BOLT, STUD	2	
3	90201-08M02-00	WASHER, PLAIN	4	
4	6T0-46382-00-33	LEVER, SHIFT 1	1	
5	6T0-46383-00-33	LEVER, SHIFT 2	1	
6	6T0-44132-00-00	BUSHING	4	
7	6T0-44135-01-00	SPRING	1	
7	6T0-44135-00-00	SPRING	1	SEE NOTE B
8	90202-08022-00	WASHER, PLATE	1	
9	97025-08014-00	BOLT, HEXAGON	1	
10	95780-08300-00	NUT, FLANGE	2	
11	6T0-44104-01-00	PLATE COMP	1	SEE NOTE B
11	6T0-44104-01-00	PLATE COMP	1	
12	6T0-8135F-00-00	MAGNETO	1	
13	6T0-44583-00-00	NUT	1	
14	98780-03008-00	SCREW, FLAT HEAD	1	
15	97980-04312-00	SCREW, WITH WASHER	1	
16	6T0-42195-00-00	PIN, JOINT	2	
17	95601-06200-00	NUT, U-FLANGE	1	
18	6T3-8259F-00-00	SWITCH ASSEMBLY	1	
19	97980-03310-00	SCREW, WITH WASHER	2	
20	6T0-48531-00-00	BRACKET, REMOTE CONTROL	1	
21	6E5-48538-00-00	CLAMP, CABLE	1	
22	91690-30012-00	PIN, SPRING	1	
23	97395-08016-00	BOLT	1	
24	92990-08100-00	WASHER, SPRING	1	
25	92990-08600-00	WASHER, PLATE	1	
26	6G8-26363-00-00	.END, WIRE 1	1	
27	6G8-26364-00-00	.END, CABLE	1	
28	91490-20025-00	PIN, COTTER	1	
29	91690-20008-00	PIN, SPRING	1	
30	92990-06600-00	WASHER, PLATE	2	
31	91490-20015-00	PIN. COTTER	2	
32	6T0-11951-00-00	PLATE	1	SEE NOTE B
33	90480-20M46-00	GROMMET	3	
34	90387-10M04-00	COLLAR	3	
35	90201-10437-00	WASHER, PLATE	3	
36	90201-10146-00	WAHSER, PLAIN	3	
37	YSC-90300-15-0C	BOLT, HEXAGON (3/8-16X1-1/2" SUS)	3	
37	YSC-90305-15-0C	BOLT, HEXAGON (3/8-16X1-1/2")	3	SEE NOTE A
38	YSC-95302-01-0C	NUT, HEXAGON (3/8-16 SUS)	3	
38	YSC-95302-00-0C	NUT, HEXAGON (3/8-16 NYLOCK)	3	SEE NOTE A
39	YSC-92300-00-0C	WASHER, FLAT (5/16")	3	SEE NOTE A
39	YSC-92340-00-0C	WASHER, FLAT (3/8" SUS)	3	

Part Notes

L4_3.0_ENGINE_EST 1993 / IGNITION INTERRUPTION UNIT 1

PART NUMBER	NOTE TEXT
92990-06600-00	OEM: This part number is among the Top 100 Most Popular Marine Maintenance Parts as of February 2013.



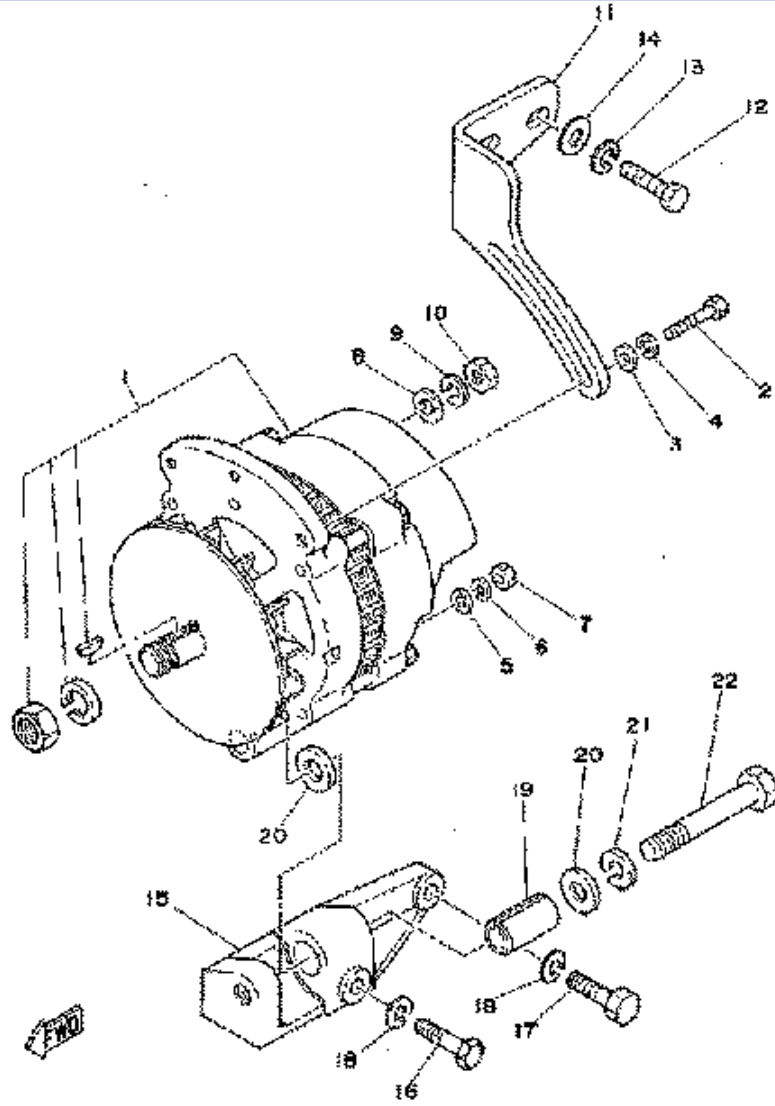


NOTE A: INTERCHANGEABLE - EITHER PART CAN BE USED ON ALL ENGINES

Part List

L4_3.0_ENGINE_EST 1993 / IGNITION INTERRUPTION UNIT 2

REF - NO	PART NUMBER	PART NAME	QUANTITY	REMARKS
1	YSC-13052-40-0C	BRACKET, SHIFT ASSIST ASSY	1	
2	YSC-90305-10-0C	BOLT, HEXAGON (3/8-16X1")	2	
3	YSC-90305-10-0C	BOLT, HEXAGON (3/8-16X1")	2	
4	YSC-93300-00-0C	WASHER, LOCK (3/8")	4	
5	YSC-92300-00-0C	WASHER, FLAT (5/16")	4	
6	YSC-13281-50-AC	HANGER, ENGINE FRONT	1	
7	6T0-48531-00-00	BRACKET, REMOTE CONTROL	1	
8	6E5-48538-00-00	CLAMP, CABLE	1	
9	91690-30012-00	PIN, SPRING	1	
10	YSC-90200-06-3C	BOLT, HEXAGON (5/16- 18X5/8" SUS)	1	
10	YSC-90205-06-3C	BOLT, HEXAGON (5/16- 18X5/8")	1	SEE NOTE A
11	YSC-93240-00-0C	WASHER, LOCK (5/16" SUS)	1	
11	YSC-93200-00-0C	WASHER, LOCK (5/16")	1	SEE NOTE A
12	YSC-13052-00-0C	BRACKET, THROTTLE CABLE	1	
13	YSC-90205-17-5C	BOLT, HEXAGON (5/16- 18X1-3/4")	2	
14	YSC-93200-00-0C	WASHER, LOCK (5/16")	2	
15	YSC-92200-00-0C	WASHER, FLAT (5/16")	2	

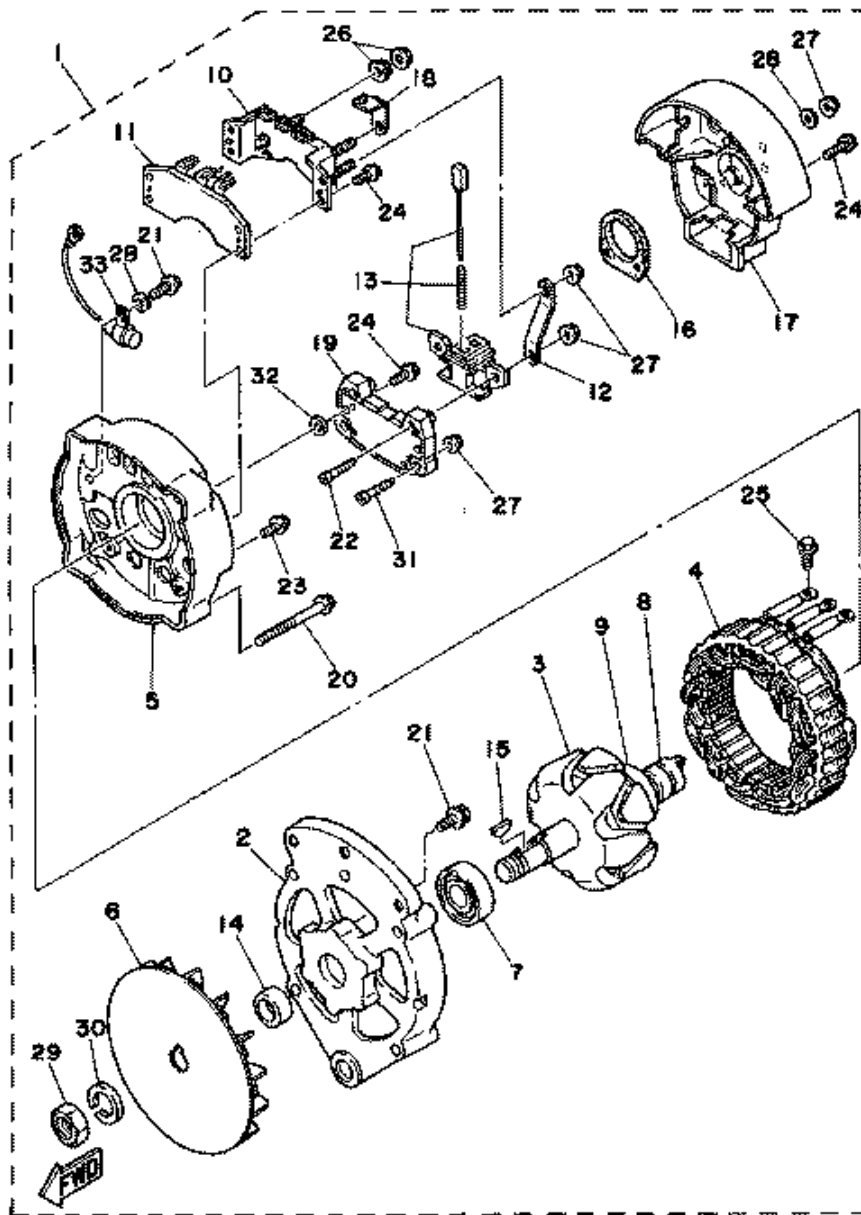


NOTE: INTERCHANGEABLE - EITHER PART CAN BE USED ON ALL ENGINES

Part List

L4_3.0_ENGINE_EST 1993 / ALTERNATOR

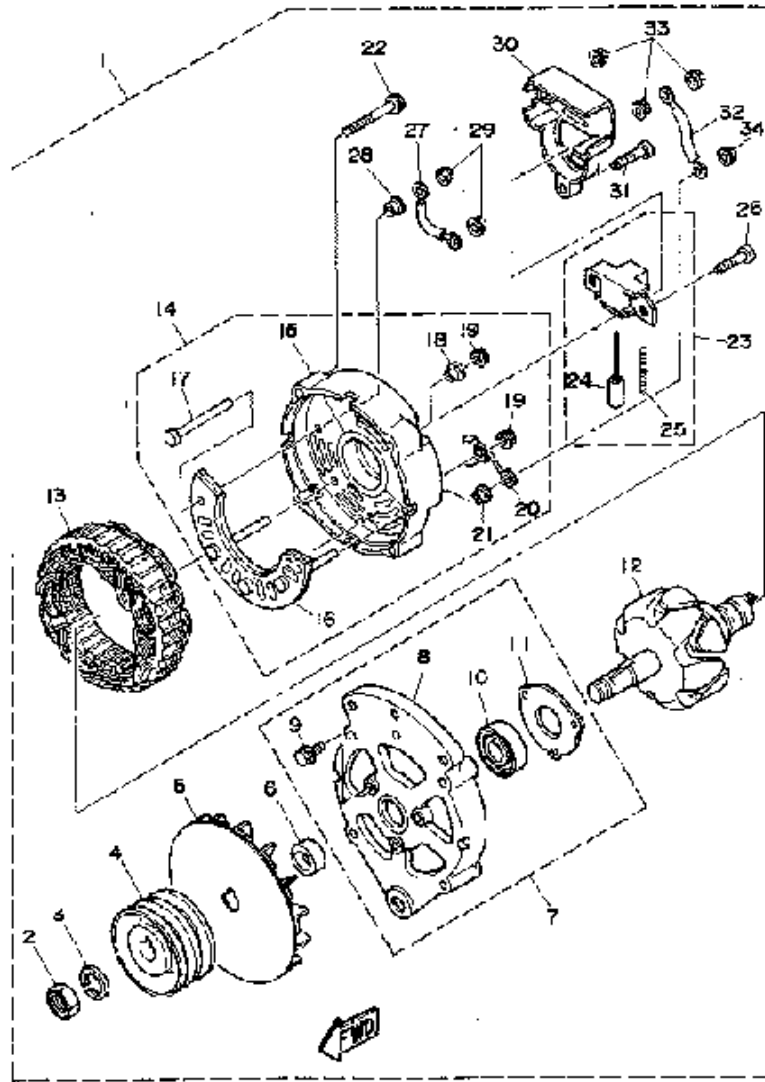
REF - NO	PART NUMBER	PART NAME	QUANTITY	REMARKS
1	YSC-10140-01-AC	ALTERNATOR ASSY (YSC-10140-00-0C)	1	300248 ~
2	YSC-90200-10-0C	BOLT, HEXAGON (5/16-18X1" SUS)	1	
2	YSC-90205-10-0C	BOLT, HEXAGON (5/16-18X1")	1	SEE NOTE A
3	YSC-92841-20-0C	WASHER, FLAT SPECIAL (11/32" SUS)	1	
3	YSC-92200-00-1C	WASHER, FLAT (5/16")	1	SEE NOTE A
4	YSC-93200-00-0C	WASHER, LOCK (5/16")	1	SEE NOTE A
4	YSC-93240-00-0C	WASHER, LOCK (5/16" SUS)	1	
5	YSC-92111-10-0C	WASHER, FLAT (1/4")	1	
6	YSC-93130-00-0C	WASHER, LOCK (1/4")	1	
7	YSC-95101-00-0C	NUT, HEXAGON (1/4-20)	1	
8	YSC-92011-10-0C	WASHER, FLAT (#10)	1	
9	YSC-93030-00-0C	WASHER, LOCK (#10)	1	
10	YSC-95001-00-0C	NUT, HEXAGON (#10-24)	1	
11	YSC-13111-20-AC	STRAP, ALTERNATOR ADJUSTING	1	
12	YSC-90305-08-8C	BOLT, HEXAGON (3/8-16X7/8")	2	
13	YSC-93300-00-0C	WASHER, LOCK (3/8")	2	
14	YSC-92300-00-0C	WASHER, FLAT (5/16")	2	
15	YSC-13111-10-AC	BRACKET, ALTERNATOR MOUNTING	1	
16	YSC-90308-25-0C	BOLT, HEXAGON (3/8-16X2-1/2")	1	
17	YSC-90305-12-5C	BOLT, HEXAGON (3/8-16X1-1/4")	1	
18	YSC-93300-00-0C	WASHER, LOCK (3/8")	2	
19	YSC-13112-80-0C	BUSHING	1	
20	YSC-10112-90-AC	WASHER (YSC-10112-90-0C)	2	
21	YSC-93500-00-0C	WASHER, LOCK (1/2")	1	
22	YSC-90508-35-0C	BOLT (1/2-13X3-1/2" LG GR 8)	1	



Part List

L4_3.0_ENGINE_EST 1993 / ALTERNATOR ASSEMBLY 1 (PRESTLITE)

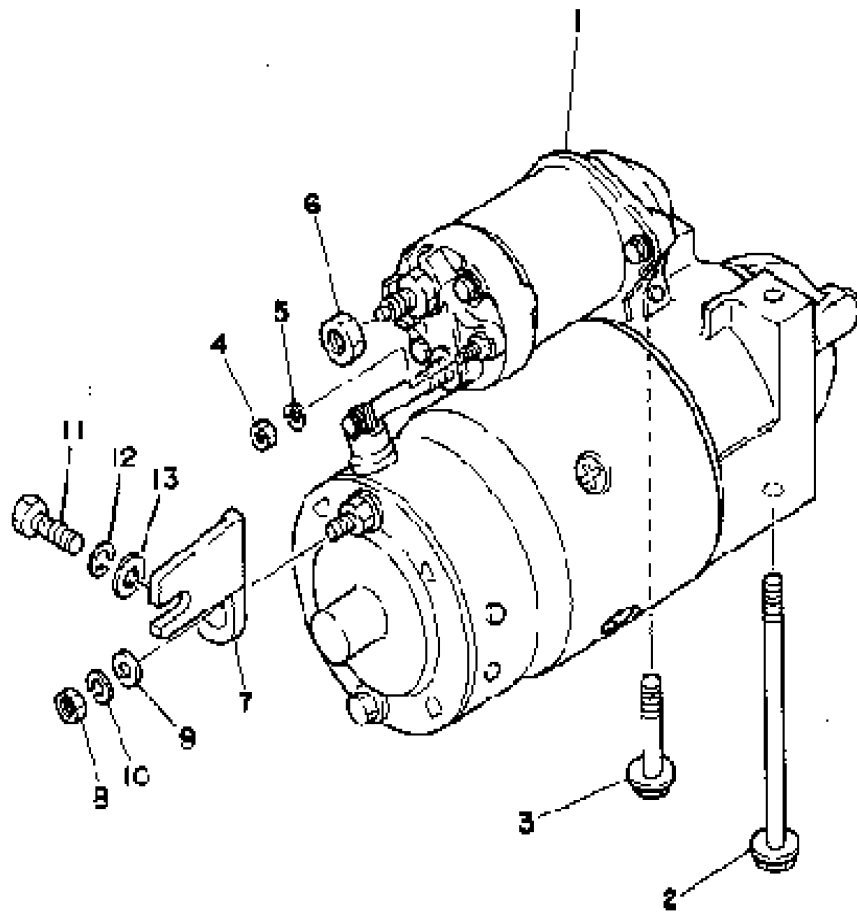
REF - NO	PART NUMBER	PART NAME	QUANTITY	REMARKS
1	YSC-10140-01-0C	ALTERNATOR ASSY	1	~300247
2	YSC-10140-50-0C	.HOUSING, FRONT ALTERNATOR	1	
3	YSC-10140-60-0C	.ROTOR ASSY	1	
4	YSC-10140-70-0C	.STATOR ASSY	1	
5	YSC-10140-80-0C	.HOUSING, REAR	1	
6	YSC-10140-90-0C	.FAN	1	
7	YSC-10141-00-0C	.BEARING	1	
8	YSC-10141-10-0C	.SLIP RING	1	
9	YSC-10141-20-0C	.RETAINER, ROTOR BEARING	1	
10	YSC-10141-30-0C	.FIELD DIODE	1	
11	YSC-10141-40-0C	.BRIDGE RECTIFIER	1	
12	YSC-10141-50-0C	.D-STRAP	1	
13	YSC-10141-60-0C	.BRUSH ASSY	1	
14	YSC-10141-70-0C	.FAN SPACER	1	
15	YSC-10141-80-0C	.KEY	1	
16	YSC-10141-90-0C	.FELT GASKET	1	
17	YSC-10142-00-0C	.COVER ASSY	1	
18	YSC-10142-10-0C	.LUG, AC TAP	1	
19	YSC-10142-20-0C	.VOLTAGE REGULATOR	1	
20	YSC-10142-30-0C	.BOLT, THRU (10-32X230")	4	
21	YSC-10142-40-0C	.BOLT, THRU (10-32X1/2")	4	
22	YSC-10142-50-0C	.SCREW (10-24X7/8")	2	
23	YSC-10142-60-0C	.SCREW, TAPPING (10- 24X3/8")	1	
24	YSC-10142-70-0C	.SCREW, TAPPING (10- 32X5/8")	8	
25	YSC-10142-80-0C	.SCREW, TAPPING (8- 32X5/16")	3	
26	YSC-10142-90-0C	.NUT, HEXAGON (1/4- 20X7/16")	2	
27	YSC-10143-00-0C	.LOCK NUT, HEXAGON (10- 24X3/8")	6	
28	YSC-10143-10-0C	.WASHER, FLAT (#10)	3	
29	YSC-10143-20-0C	.NUT, PULLEY MOUNTING	1	
30	YSC-10143-30-0C	.WASHER, SPLIT LOCK (5/8")	1	
31	YSC-10143-40-0C	.SCREW (10-24X3/4")	1	
32	YSC-10143-50-0C	.WASHER, INSULATOR	2	
33	YSC-10140-10-0C	.CAPACITOR, 5 MFD, KIT	1	



Part List

L4_3.0_ENGINE_EST 1993 / ALTERNATOR ASSEMBLY 2 (MANDO)

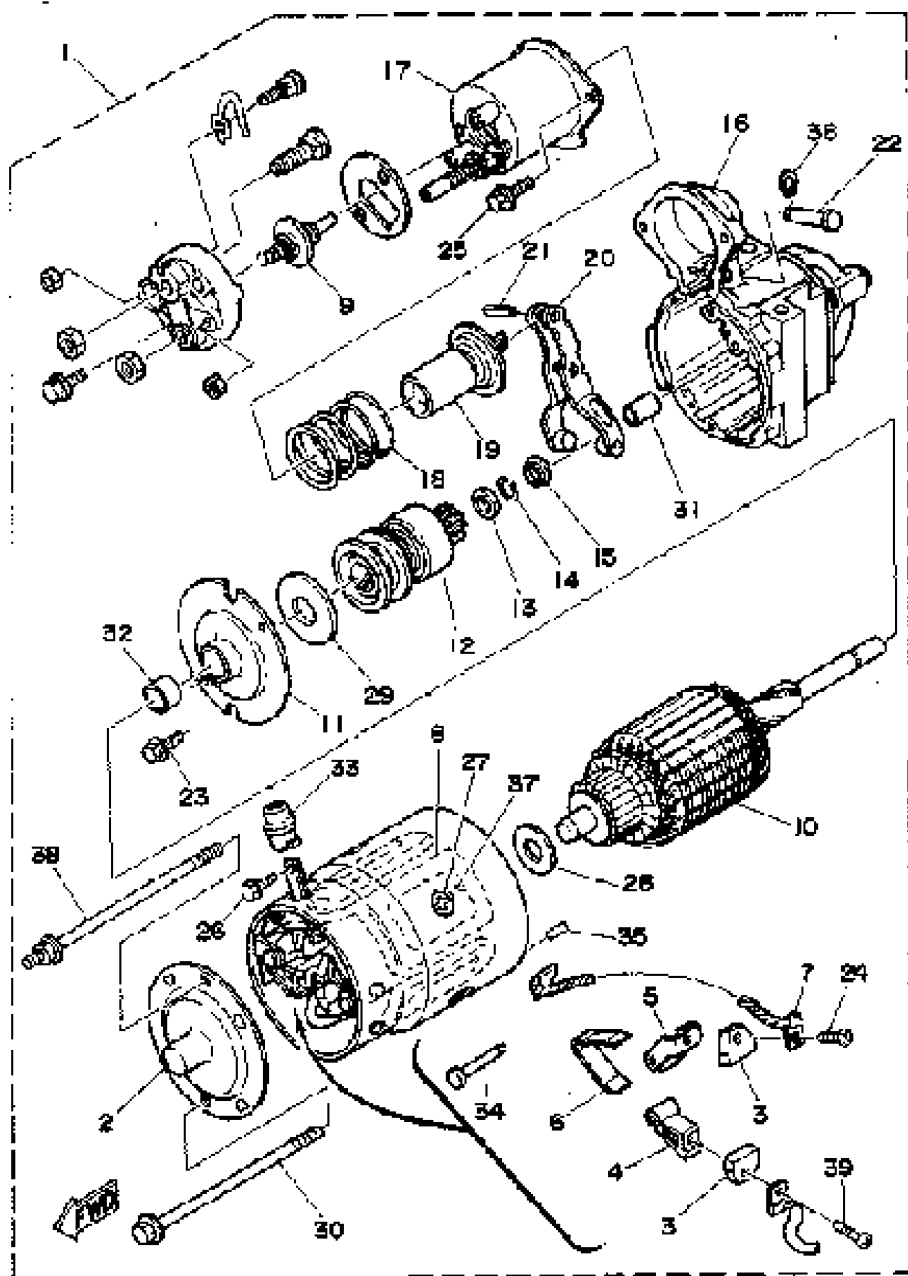
REF - NO	PART NUMBER	PART NAME	QUANTITY	REMARKS
1	YSC-10140-01-AC	ALTERNATOR ASSY (YSC-10140-00-0C)	1	300248 ~
2	YSC-10143-21-0C	.NUT, HEXAGON	1	
3	YSC-10143-31-0C	.WASHER, SPRING	1	
4	YSC-10251-51-0C	.PULLEY	1	
5	YSC-10140-91-0C	.FAN	1	
6	YSC-10141-71-0C	.SPACER (P)	1	
7	YSC-10143-61-0C	.FRONT BRACKET ASSY	1	
8	YSC-10140-51-0C	..BRACKET, FRONT	1	
9	YSC-10143-71-0C	..SCREW, FLANGE	3	
10	YSC-10141-01-0C	..BEARING	1	
11	YSC-10141-21-0C	..RETAINER	1	
12	YSC-10140-61-0C	.ROTOR ASSY	1	
13	YSC-10140-71-0C	.STATOR ASSY	1	
14	YSC-10143-81-0C	.REAR BRACKET ASSY	1	
15	YSC-10140-81-0C	..BRACKET, REAR	1	
16	YSC-10141-41-0C	..RECTIFIER ASSY	1	
17	YSC-10143-91-0C	..SCREW SET	1	
18	YSC-10144-01-0C	..HOLD	1	
19	YSC-10143-01-0C	..NUT, FLANGE	2	
20	YSC-10140-11-0C	..CONDENSER ASSY	1	
21	YSC-10144-11-0C	..HOLD-B	1	
22	YSC-10142-31-0C	.BOLT, THROUGH	4	
23	YSC-10142-21-0C	.REGULATOR ASSY	1	
24	YSC-10141-31-0C	..BRUSH	2	
25	YSC-10144-21-0C	..SPRIING, BRUSH	2	
26	YSC-10144-31-0C	..SCREW, SET	2	
27	YSC-10144-41-0C	..TERMINAL-L	1	
28	YSC-10144-01-0C	..HOLD	1	
29	YSC-10143-01-0C	.NUT, FLANGE	2	
30	YSC-10142-01-0C	.COVER	1	
31	YSC-10144-51-0C	.SCREW SET	1	
32	YSC-10144-61-0C	.TERMINAL-B	1	
33	YSC-10143-01-0C	.NUT, FLANGE	3	
34	YSC-10144-71-0C	.NUT, FLANGE	1	



Part List

L4_3.0_ENGINE_EST 1993 / STARTING MOTOR

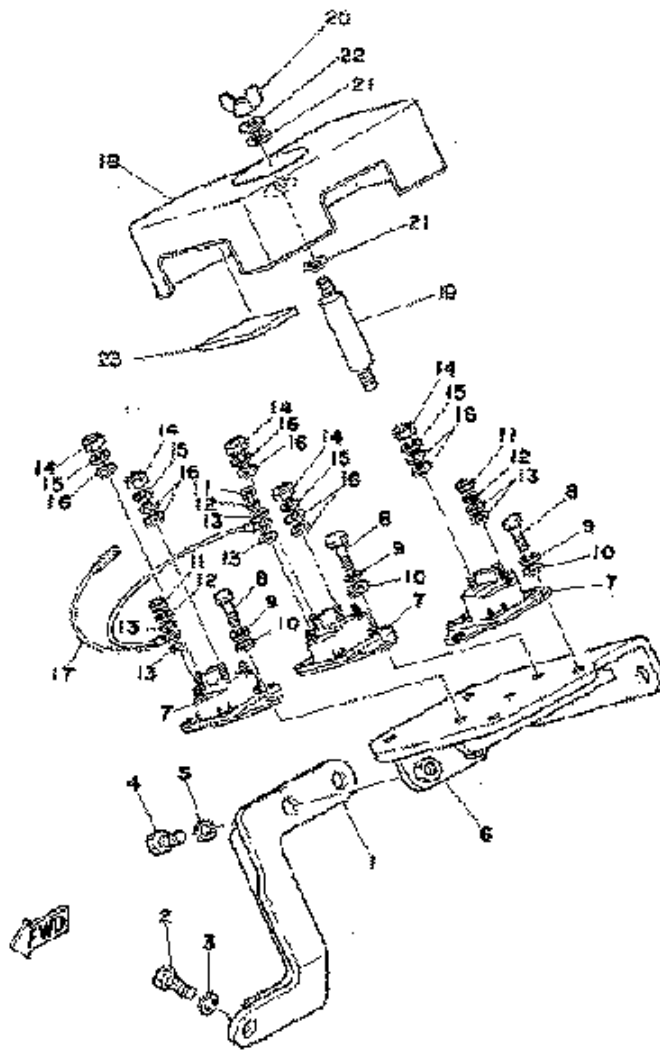
REF - NO	PART NUMBER	PART NAME	QUANTITY	REMARKS
1	YSC-13130-00-0C	STARTER ASSEMBLY	1	
2	YSG-14057-09-9G	BOLT, STARTER MOTOR MOUNTING	1	LONG
3	YSG-14057-09-8G	BOLT, STARTER MOTOR MOUNTING	1	SHORT
4	YSC-95902-00-0C	NUT, HEXAGON (M5X0.8 BRASS)	1	
5	YSC-93903-00-0C	WASHER, LOCK (M5)	1	
6	YSC-95912-00-0C	NUT, HEXAGON (M10X1.5 BRASS)	1	
7	YSC-13112-50-0C	STAY, STARTER MOTOR REAR	1	
8	YSC-95102-00-0C	NUT, HEXAGON (1/4-20)	1	
8	YSC-95102-00-0C	NUT, HEXAGON (1/4-20)	1	
9	YSC-92102-20-1C	WASHER, FLAT (1/4")	1	
10	YSC-93100-00-0C	WASHER, LOCK (1/4")	1	
11	YSC-90305-08-8C	BOLT, HEXAGON (3/8- 16X7/8")	1	
12	YSC-93300-00-0C	WASHER, LOCK (3/8")	1	
13	YSC-92300-00-0C	WASHER, FLAT (5/16")	1	



Part List

L4_3.0_ENGINE_EST 1993 / STARTING MOTOR COMPONENTS

REF - NO	PART NUMBER	PART NAME	QUANTITY	REMARKS
1	YSC-13130-00-0C	STARTER ASSEMBLY	1	
2	YSC-10130-10-0C	.FRAME, COMMUTATOR END	1	SEE GRID B-9, REF. #1
3	YSC-10130-20-0C	.BRUSH	4	
4	YSC-10130-30-0C	.HOLDER, BRUSH GROUND	2	
5	YSC-13130-40-0C	.HOLDER, BRUSH INSULATED	2	
6	YSC-13130-50-0C	.SPRING, BRUSH	2	
7	YSC-10130-70-0C	.LEAD, BRUSH GROUND	2	
8	YSC-13130-80-0C	.FIELD COIL ASSY (4 COILS)	1	
9	YSC-13130-90-0C	.CONTACT ASSEMBLY	1	
10	YSC-10131-00-0C	.ARMATURE	1	
11	YSC-10131-10-0C	.CENTER BEARING PLATE	1	
12	YSC-10131-20-0C	.DRIVE ASSEMBLY	1	
13	YSC-10131-30-0C	.COLLAR, PINION STOP DRIVE END	1	
14	YSC-10131-40-0C	.RING, PINION STOP	1	
15	YSC-10131-50-0C	.WASHER, THRUST DRIVE END	1	
16	YSC-13131-60-0C	.HOUSING, DRIVE	1	
17	YSC-10131-70-0C	.SOLENOID SWITCH	1	
18	YSC-10131-80-0C	.SPRING, PLUNGER RETURN	1	
19	YSC-10131-90-0C	.PLUNGER	1	
20	YSC-10132-00-0C	.LEVER, SHIFT	1	
21	YSC-10132-10-0C	.PIN, PLUNGER	1	
22	YSC-10132-20-0C	.STUD, SHIFT LEVER	1	
23	YSC-10132-50-0C	.SCREW & LOCK, CENTER BEARING	2	
24	YSC-10132-60-0C	.SCREW, INSULATED BRUSH ATTACHING	2	
25	YSC-10132-70-0C	.SCREW, SUPPORT ATTACHING	2	
26	YSC-10132-80-0C	.SCREW, FIELD LEAD ATTACHING	1	
27	YSC-10132-90-0C	.SCREW, POLE SHOE	4	
28	YSC-10133-10-0C	.WASHER, BRAKE COMMUTATOR END	1	
29	YSC-10133-20-0C	.WASHER	1	
30	YSC-10133-30-0C	.THRU BOLT	1	
31	YSC-10133-40-0C	.BUSHING, DRIVE END	1	
32	YSC-10133-50-0C	.BUSHING, CENTER BEARING	1	
33	YSC-10133-60-0C	.GROMMET (IN FIELD FRAME)	1	
34	YSC-10133-70-0C	.PIN, SUPORT ATTACHING	2	
35	YSC-10133-80-0C	.PIN, DOWEL DRIVE END	1	
36	YSC-10133-90-0C	.RING, RETAINING SHIFT LEVER	1	
37	YSC-10134-00-0C	.POLE SHOE	4	
38	YSC-10134-10-0C	.THRU BOLT, WITH EXTENSION	1	
39	YSC-10134-20-0C	.SCREW, GROUND BRUSH ATTACHING	2	

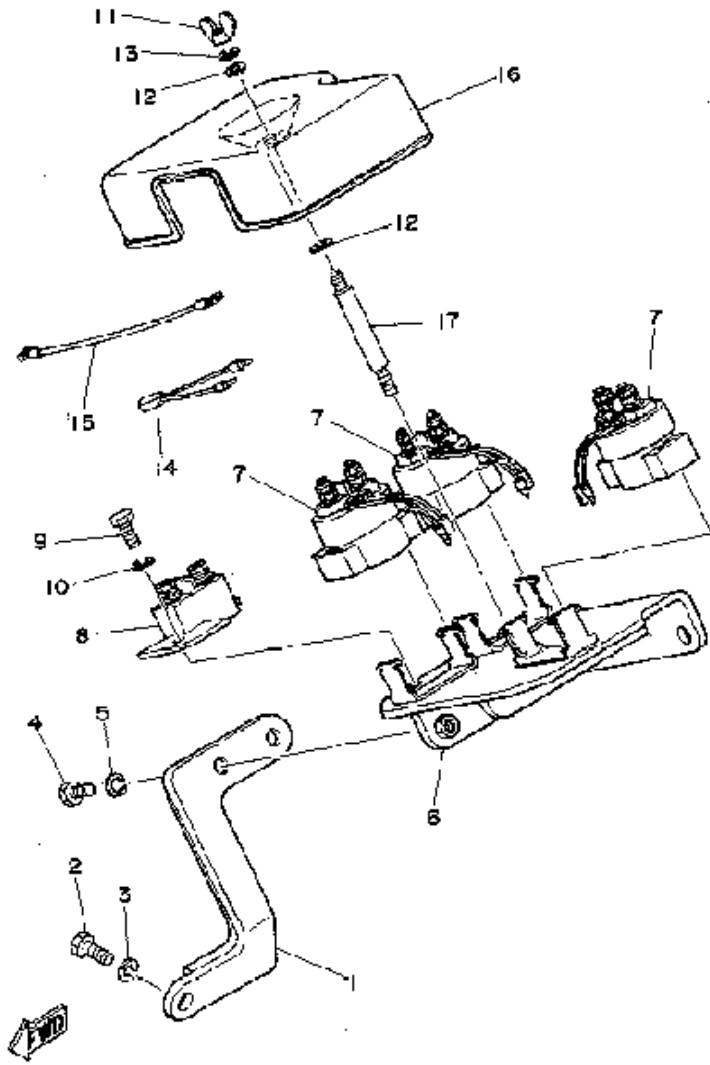


NOTE B: INTERCHANGEABLE - BUT PREVIOUS PART CAN NOT BE USED ON NEW ENGINES.

Part List

L4_3.0_ENGINE_EST 1993 / ELECTRIC PARTS 1-1 (~300247)

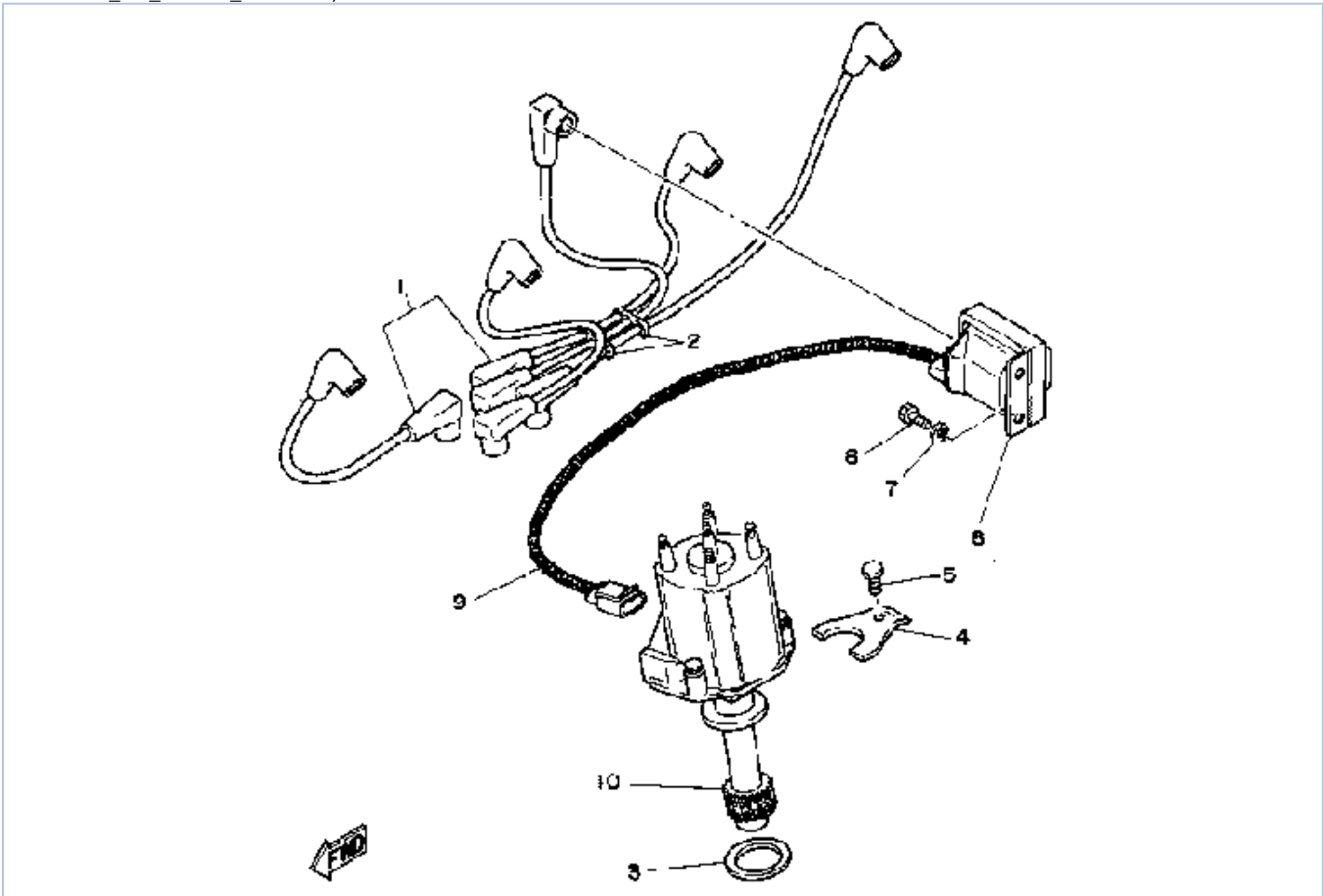
REF - NO	PART NUMBER	PART NAME	QUANTITY	REMARKS
1	YSC-13112-70-0C	STAY, SOLENOID BRACKET	1	
2	YSC-90205-07-5C	BOLT, HEXAGON (5/16-18X3/4")	1	
3	YSC-93200-00-0C	WASHER, LOCK (5/16")	1	
4	YSC-90200-06-3C	BOLT, HEXAGON (5/16-18X5/8" SUS)	2	
4	YSC-90205-06-3C	BOLT, HEXAGON (5/16-18X5/8")	2	SEE NOTE A
5	YSC-93200-00-0C	WASHER, LOCK (5/16")	2	
6	YSC-13111-70-0C	BRACKET, RELAY SOLENOID MOUNT	1	
7	YSC-10122-40-0C	SOLENOID, RELAY	3	
8	YSC-90105-07-5C	BOLT, HEXAGON (1/4-20X3/4")	6	
9	YSC-93100-00-0C	WASHER, LOCK (1/4")	6	
10	YSC-92100-00-0C	WASHER, FLAT (1/4")	6	
11	YSC-95201-00-0C	NUT, HEXAGON (5/16-18)	6	
12	YSC-93230-00-0C	WASHER, LOCK (5/16")	6	
13	YSC-92211-10-0C	WASHER, FLAT (5/16" BRASS)	12	
14	YSC-95011-00-0C	NUT, HEXAGON (#10-32 BRASS)	6	
15	YSC-93030-00-0C	WASHER, LOCK (#10)	6	
16	YSC-92011-10-0C	WASHER, FLAT (#10)	10	
17	YSC-10150-20-0C	WIRE, EARTH LEAD (#1)	1	
18	YSC-14113-00-0C	COVER, RELAY SOLENOID	1	
19	YSC-14113-10-0C	STUD, SOLENOID RELAY COVER	1	SEE NOTE B
19	YSC-14113-10-AC	STUD, SOLENOID RELAY COVER	1	300101~
20	YSC-95106-00-0C	NUT, WING (1/4-20)	1	
21	YSC-92100-00-0C	WASHER, FLAT (1/4")	2	
22	YSC-93100-00-0C	WASHER, LOCK (1/4")	1	
23	YSC-14113-00-0C	COVER, RELAY SOLENOID	3	



Part List

L4_3.0_ENGINE_EST 1993 / ELECTRIC PARTS 1-2 (300248~)

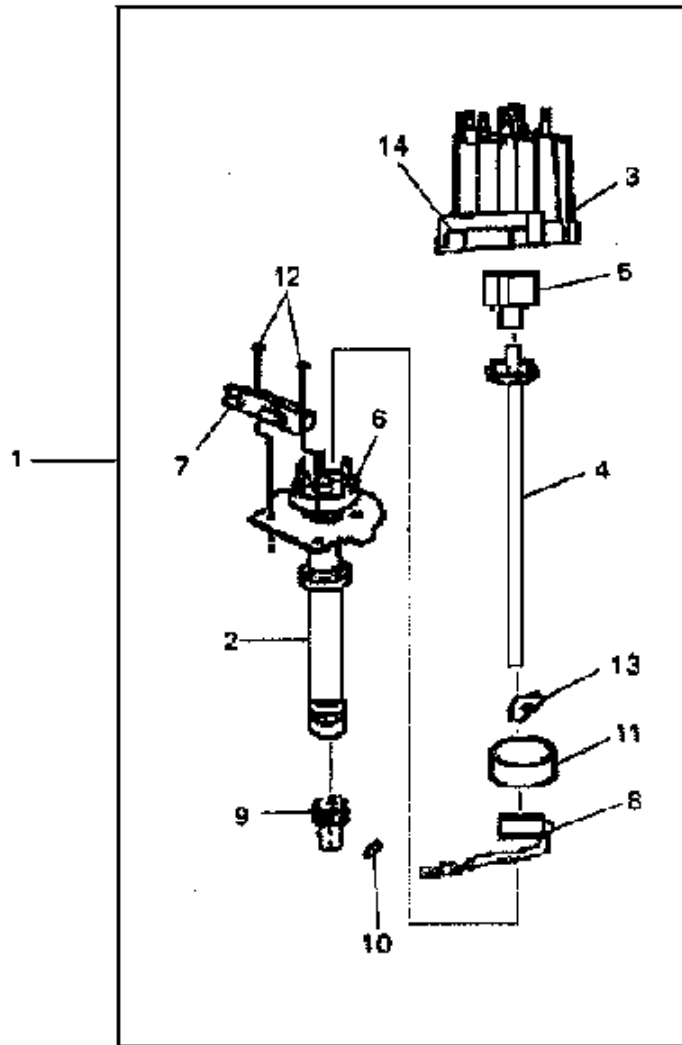
REF - NO	PART NUMBER	PART NAME	QUANTITY	REMARKS
1	YSC-13112-70-AC	STAY, SOLENOID BRACKET	1	
2	YSC-90205-07-5C	BOLT, HEXAGON (5/16-18X3/4")	1	
3	YSC-93200-00-0C	WASHER, LOCK (5/16")	1	
4	YSC-90205-06-3C	BOLT, HEXAGON (5/16-18X5/8")	2	
5	YSC-93200-00-0C	WASHER, LOCK (5/16")	2	
6	YSC-13113-71-0C	BRACKET, RELAY SOLENOID MOUNTING	1	
7	6T3-81940-00-00	SOLENOID, RELAY	3	HITACHI
8	6T0-81920-00-00	TERMINAL ASSEMBLY, TRIM RELAY	1	
9	YSC-90400-06-3C	BOLT, HEXAGON (7/16-14X5/8")	1	
10	YSC-93440-00-0C	WASHER, LOCK (7/16")	1	
11	YSC-95105-01-0C	NUT, WING (1/4-20")	1	STAINLESS
12	YSC-92140-00-0C	WASHER, FLAT (1/4")	2	STAINLESS
13	YSC-93140-00-0C	WASHER, LOCK (1/4")	1	STAINLESS
14	YSC-10150-21-0C	WIRE, EARTH LEAD (#2)	1	
15	YSC-10151-00-0C	WIRE, EARTH LEAD (#3)	2	
16	YSC-14113-00-0C	COVER, RELAY SOLENOID	1	
17	YSC-14113-10-AC	STUD, SOLENOID RELAY COVER	1	



Part List

L4_3.0_ENGINE_EST 1993 / ELECTRIC PARTS 2

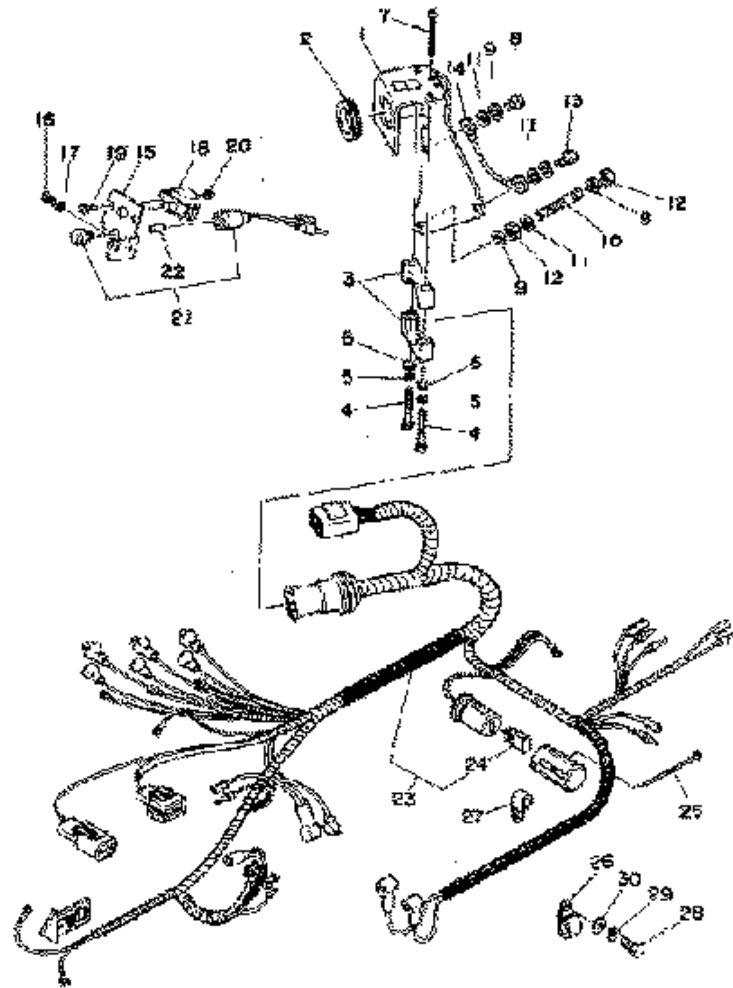
REF - NO	PART NUMBER	PART NAME	QUANTITY	REMARKS
1	YSC-13122-50-0C	WIRE SET, IGNITION WIRE	1	
2	YSC-16123-81-0C	WIRE SEPARATOR, IGNITION	2	
3	YSG-62566-36-G0	GASKET	1	
4	YSG-35578-0G-00	CLAMP	1	
5	YSG-94421-19-G0	BOLT	1	
6	YSC-13121-60-0C	COIL, IGNITION	1	
7	YSC-93300-00-0C	WASHER, LOCK (3/8")	2	
8	YSC-90305-06-3C	BOLT (3/8-16X5/8")	2	
9	YSC-14150-81-0C	WIRE, LEAD	1	
10	YSC-13132-00-0C	DISTRIBUTOR ASSEMBLY	1	SEE GRID C-3



Part List

L4_3.0_ENGINE_EST 1993 / DISTRIBUTOR & COMPONENT PARTS

REF - NO	PART NUMBER	PART NAME	QUANTITY	REMARKS
1	YSC-13132-00-0C	DISTRIBUTOR ASSEMBLY	1	
2	YSC-13135-00-0C	.HOUSING, DIST BASE	1	
3	YSC-13135-20-0C	.CAP ASSEMBLY	1	
4	YSC-13135-40-0C	.SHAFT	1	
5	YSC-13135-50-0C	.ROTOR	1	
6	YSC-14135-80-0C	.POLE PIECE, STATIONARY	1	
7	YSC-14135-60-0C	.MODULE	1	
8	YSC-14135-90-0C	.COIL, PICK-UP	1	
9	YSC-13136-10-0C	.GEAR	1	
10	YSC-13136-20-0C	.PIN, GEAR	1	
11	YSC-13136-60-0C	.O-RING	1	
12	YSC-14135-70-0C	.SCREW	2	
13	YSC-14136-00-0C	.RETAINER	1	
14	YSC-14135-30-0C	.SCREW WITH WASHER	2	

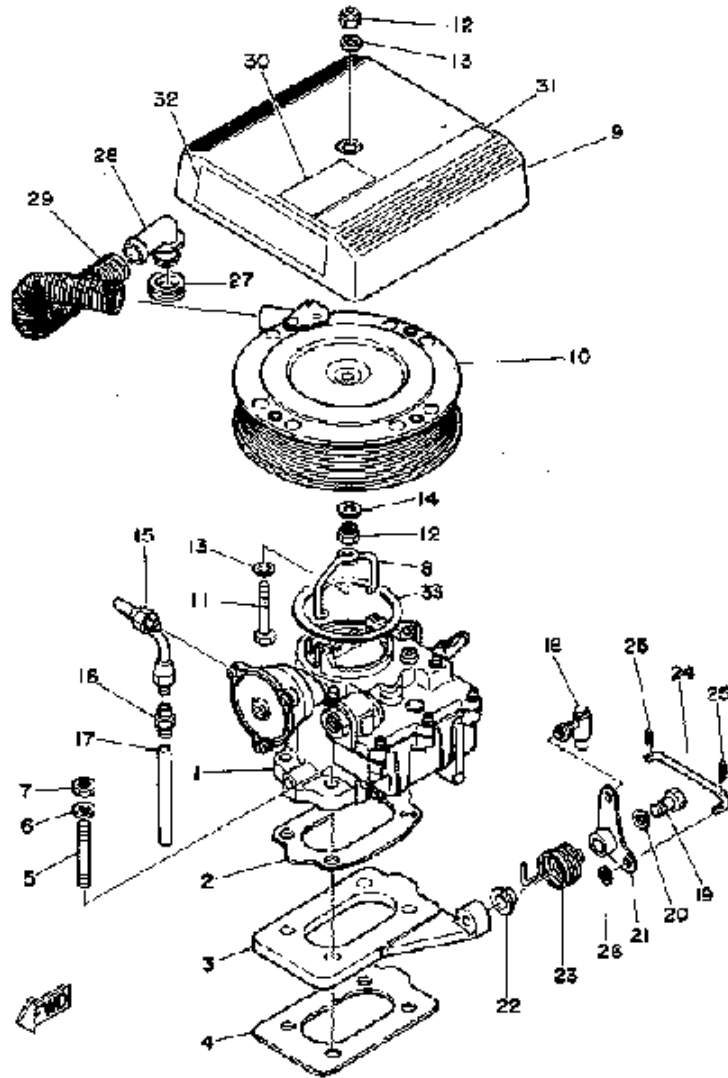


NOTE A: INTERCHANGEABLE - EITHER PART CAN BE USED ON ALL ENGINES

Part List

L4_3.0_ENGINE_EST 1993 / ELECTRIC PARTS 3

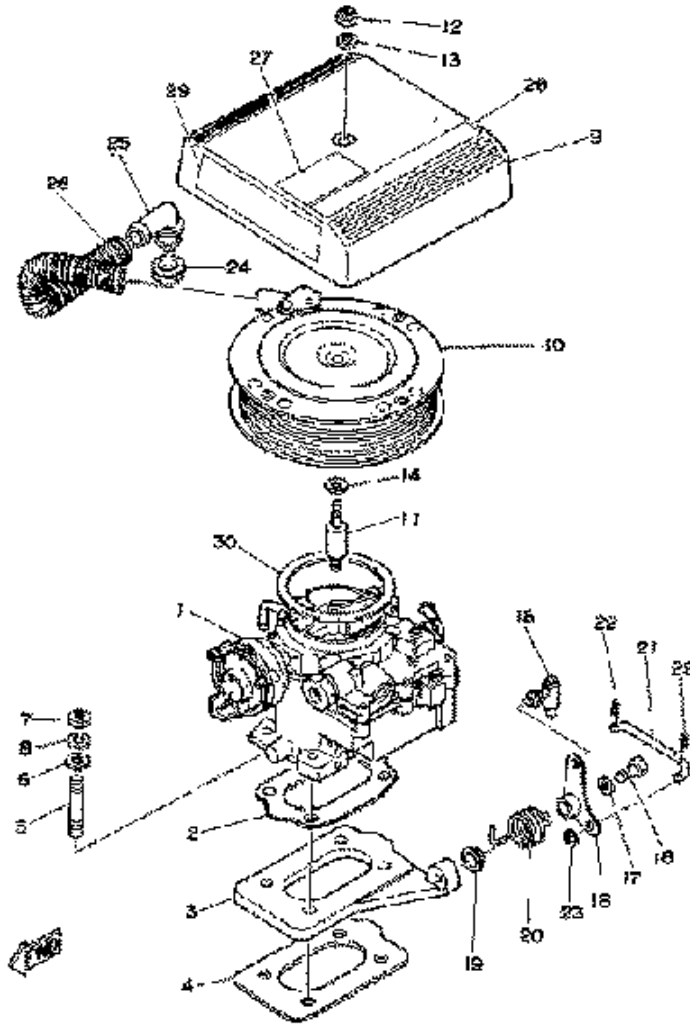
REF - NO	PART NUMBER	PART NAME	QUANTITY	REMARKS
1	YSC-13111-80-0C	BRACKET ASSY, 9-PIN CONNECTOR	1	
2	YSC-13121-30-0C	GROMMET, 9-PIN MOUNTING	1	
3	YSC-10111-30-0C	ANCHOR, 9-PIN ROUND CONNECTOR	2	
4	YSC-90105-25-0C	BOLT, HEXAGON (1/4-20X2- 1/2")	2	
5	YSC-93100-00-0C	WASHER, LOCK (1/4")	2	
6	YSC-92100-00-0C	WASHER, FLAT (1/4")	2	
7	YSC-13124-30-0C	TIE WRAP (5-1/2")	1	
8	YSC-90305-15-0C	BOLT, HEXAGON (3/8-16X1- 1/2")	1	
9	YSC-93300-00-0C	WASHER, LOCK (3/8")	5	
10	YSC-10110-00-0C	STUD, (3/8-16X2-3/4")	2	
11	YSC-92300-00-0C	WASHER, FLAT (5/16")	4	
12	YSC-95300-00-0C	NUT, HEXAGON	4	
13	YSC-90305-15-0C	BOLT, HEXAGON (3/8-16X1- 1/2")	1	
14	YSC-13150-10-0C	WIRE, EARTH LEAD (#2)	1	
15	YSC-13112-20-AC	BRACKET, CIRCUIT BREAKER	1	
16	YSC-90105-06-3C	BOLT, HEXAGON (1/4- 20X5/8")	2	SEE NOTE A
16	YSC-90100-06-3C	BOLT, HEXAGON (1/4- 20X5/8" SUS)	2	
17	YSC-93140-00-0C	WASHER, LOCK (1/4")	2	
17	YSC-93100-00-0C	WASHER, LOCK (1/4")	2	SEE NOTE A
18	YSC-10120-40-0C	CIRCUIT BREAKER (60A)	1	
19	YSC-91001-08-8C	BOLT, SLOT PAN (#10- 24X1/8")	2	SEE NOTE A
19	YSC-91000-08-8C	SCREW (#10-24X7/8")	2	
20	YSC-96000-00-0C	NUT (#10-32 KEPS)	2	SEE NOTE A
20	YSC-96000-01-0C	NUT, CELP (#10-24 SUS)	2	
21	YSC-10122-20-AC	FUSE HOLDER (10A)	1	
22	YSC-10122-30-0C	FUSE (10A)	1	
23	YSC-13150-01-0C	WIRE HARNESS ASSEMBLY	1	
24	6T0-82151-00-00	.FUSE (100A)	1	
25	YSC-10122-70-0C	TIE WRAP	1	
26	YSC-10120-90-0C	CLAMP, WIRE HARNESS (1/2")	1	
27	YSC-10171-70-0C	CLAMP, FUEL LINE SUPPORT	1	
28	YSC-90305-07-5C	BOLT, HEXAGON (3/8- 16X3/4")	1	
29	YSC-93300-00-0C	WASHER, LOCK (3/8")	1	
30	YSC-92300-00-0C	WASHER, FLAT (5/16")	1	



Part List

L4_3.0_ENGINE_EST 1993 / CARBURETOR 1 (~300247)

REF - NO	PART NUMBER	PART NAME	QUANTITY	REMARKS
1	YSC-13180-00-0C	CARBURETOR ASSY (2BBL)	1	
2	YSC-13161-40-AC	GASKET (YSC-13161-40-0C)	1	
3	YSC-13161-60-BC	SPACER, CARBURETOR MOUNTING (YSC-13161-60- AC)	1	
4	YSC-13161-70-BC	GASKET (YSC-13161-70-AC)	1	
5	YSC-13160-10-0C	STUD (5/16-18X1-3/4")	4	
6	YSC-92200-00-0C	WASHER, FLAT (5/16")	4	
7	YSC-95202-00-0C	NUT, HEXAGON (5/16-18 ESNA)	4	
8	YSC-13161-90-AC	BAIL, FLAME ARRESTOR MOUNTING	1	
9	6T3-1444E-00-00	COVER, FLAME ARRESTOR	1	
10	YSC-13170-00-0C	FLAME ARRESTOR	1	
11	YSC-13160-00-BC	BOLT, FLAME ARRESTOR MOUNTING	1	
12	YSC-95112-00-0C	NUT, HEXAGON (1/4-28 UNF NYLOC)	2	
13	YSC-92100-00-0C	WASHER, FLAT (1/4")	2	
14	YSC-94140-00-0C	WASHER, SEALING (1/4")	1	
15	YSC-13161-80-0C	PIPE ASSEMBLY, CHOKE HEAT STOVE	1	
16	YSC-13172-30-0C	CONNECTOR, CHOKE HEAT PIPE	1	
17	YSC-13192-50-0C	GUIDE PIPE, HEAT EXCHANGER	1	
18	YSC-10060-00-0C	BALL JOINT ASSEMBLY	1	
19	YSC-13052-30-0C	BOLT, CARBURETOR LINKAGE	1	
20	YSC-92300-00-0C	WASHER, FLAT (5/16")	1	
21	YSC-13052-10-0C	LEVER, CARBURETOR LINKAGE	1	
22	YSC-13062-00-0C	BUSHING, CARBURETOR LINKAGE LEVER	1	
23	YSC-13052-60-0C	SPRING, CARBURETOR LINKAGE LEVER	1	
24	YSC-13052-20-0C	ROD, CARBURETOR LINKAGE	1	
25	YSC-13062-10-0C	COTTER PIN, CARBURETOR LINKAGE	2	
26	YSC-13062-20-AC	WASHER, CARBURETOR LINKAGE ROD	2	
27	YSC-10190-10-0C	GROMMET, BREATHER	1	
28	YSC-10191-90-0C	ELBOW, VENTILATION	1	
29	YSC-13192-10-AC	HOSE, VENTILATION (YSC- 13192-10-0C)	1	
30	6T3-1441K-00-00	EMBLEM 1	1	
31	6T3-1442K-00-00	EMBLEM 2	1	
32	6T3-14488-00-00	LABEL, CAUTION	1	
33	YSC-13162-10-0C	GASKET, FLAME ARRESTOR	1	100470 ~
34	YSC-13180-60-0C	CARBURETOR REBUILD KIT	1	NOT SHOWN

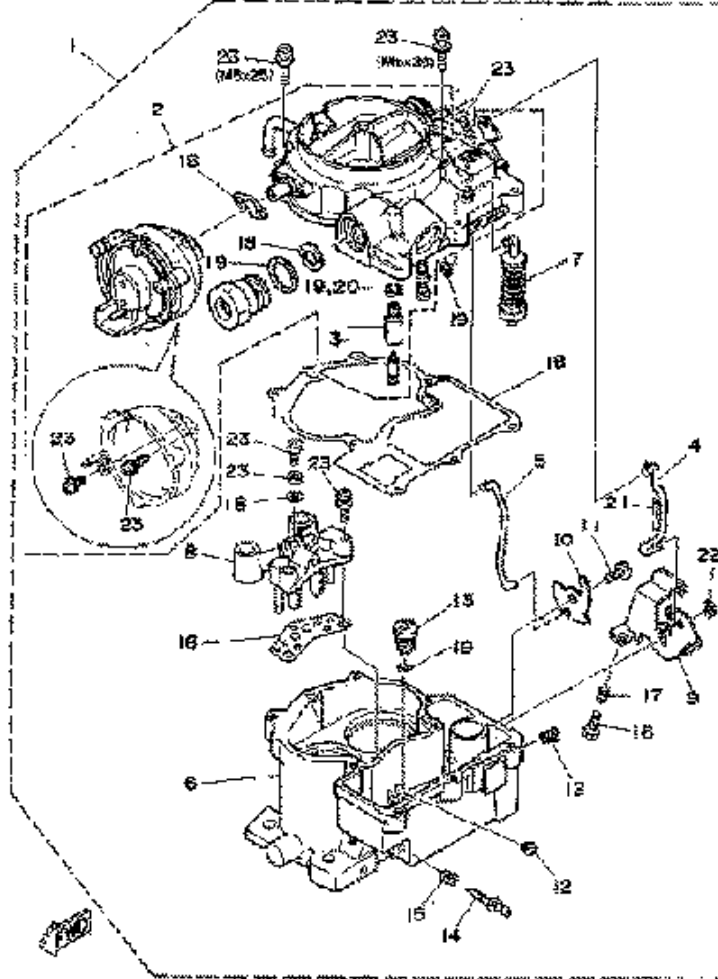


NOTE: SEE GRIDS C10 & 11 FOR SERVICE PARTS

Part List

L4_3.0_ENGINE_EST 1993 / CARBURETOR 2 (300248~)

REF - NO	PART NUMBER	PART NAME	QUANTITY	REMARKS
1	6T3-14301-01-00	CARBURETOR ASSEMBLY (I.D:6T3-01)	1	SEE NOTE
2	YSC-13161-41-0C	GASKET	1	
3	YSC-13161-60-CC	SPACER, CARBURETOR MOUNTING	1	
4	YSC-13161-71-0C	GASKET	1	
5	YSC-13160-11-0C	STUD (5/16-18")	4	
6	YSC-92200-00-0C	WASHER, FLAT (5/16")	4	
7	YSC-95200-00-0C	NUT, HEXAGON (5/6-18 BRASS)	4	
8	YSC-93200-00-0C	WASHER, LOCK (5/16")	4	
9	6T3-1444E-00-00	COVER, FLAME ARRESTOR	1	
10	YSC-13170-01-0C	FLAME ARRESTOR	1	
11	YSC-13160-01-0C	BOLT, FLAME ARRESTOR MOUNTING	1	
12	YSC-95102-01-0C	NUT, HEXAGON (1/4-20 UNF NYLOC)	1	
13	YSC-92140-00-0C	WASHER, FLAT (1/4")	1	
14	YSC-10160-40-0C	WASHER, SEALING (1/4")	1	
15	YSC-10060-00-0C	BALL JOINT ASSEMBLY	1	
16	YSC-13052-30-0C	BOLT, CARBURETOR LINKAGE	1	
17	YSC-92300-00-0C	WASHER, FLAT (5/16")	1	
18	YSC-13052-11-0C	LEVER, CARBURETOR LINKAGE	1	
19	YSC-13062-00-0C	BUSHING, CARBURETOR LINKAGE LEVER	1	
20	YSC-13052-60-0C	SPRING, CARBURETOR LINKAGE LEVER	1	
21	YSC-13052-21-0C	ROD, CARBURETOR LINKAGE	1	
22	YSC-13062-10-0C	COTTER PIN, CARBURETOR LINKAGE	2	
23	YSC-13062-20-AC	WASHER, CARBURETOR LINKAGE ROD	2	
24	YSC-10190-10-0C	GROMMET, BREATHER	1	
25	YSC-10191-90-AC	ELBOW, VENTILATION	1	
26	YSC-13192-10-AC	HOSE, VENTILATION (YSC- 13192-10-0C)	1	
27	6T3-1441K-00-00	EMBLEM 1	1	
28	6T3-1442K-00-00	EMBLEM 2	1	
29	6T3-14488-00-00	LABEL, CAUTION	1	
30	YSC-13162-11-0C	GASKET, FLAME ARRESTOR	1	

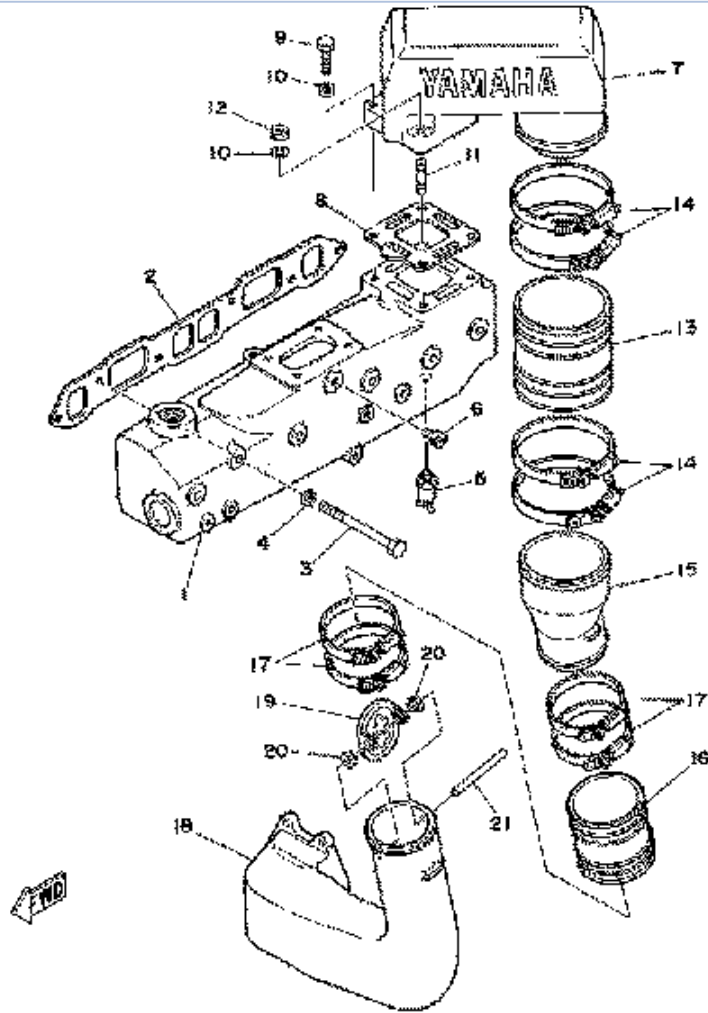


NOTE: THESE PARTS ARE COMPONENTS OF 6T3-140301-01-00. TO REPLACE CHECK THE I.D. MARK (6T3-01) ON THE CARBURETOR BODY.

Part List

L4_3.0_ENGINE_EST 1993 / CARBURETOR 3

REF - NO	PART NUMBER	PART NAME	QUANTITY	REMARKS
1	6T3-14301-01-00	CARBURETOR ASSEMBLY (I.D:6T3-01)	1	UR (SEE GRID E-3, REF. #1)
1	6T3-14301-00-00	CARBURETOR ASSEMBLY (ID:6T3-00)	1	UR (SEE GRID E-3, REF. #1)
2	6T3-14510-00-00	.AIR-HORN COMP	1	
3	6T3-14590-00-00	.NEEDLE VALVE ASSEMBLY	1	
4	6T3-1358E-01-00	.ROD, PUMP	1	UR SEE NOTE
4	6T3-1358E-00-00	.ROD, PUMP	1	UR
5	6T3-14585-00-00	.ROD, CHOKE	1	
6	6T3-14543-00-00	.BODY, COMP	1	UR
6	6T3-14543-01-00	.BODY, COMP	1	UR SEE NOTE
7	6T3-1490N-00-00	.ACCELERATOR PUMP KIT	1	
8	6T3-14929-01-00	.VENTURI ASSEMBLY	1	UR SEE NOTE
8	6T3-14929-00-00	.VENTURI ASSEMBLY	1	UR
9	6T3-14305-00-00	.THROTTLE LEVER COMP	1	UR
9	6T3-14305-01-00	.THROTTLE LEVER COMP	1	UR SEE NOTE
10	6T3-14346-00-00	.PLATE	1	
11	6T3-14216-00-00	.SHAFT, FAST IDLE	1	
12	6T3-1492E-01-00	.JET, MAIN	2	UR SEE NOTE
12	6T3-1492E-00-00	.JET, MAIN	2	UR
13	6T3-14309-00-00	.JET, COMP	1	UR
13	6T3-14309-01-00	.JET, COMP	1	UR SEE NOTE
14	6T3-14123-00-00	.SCREW, AIR ADJUSTING	1	
15	6T3-14531-00-00	.SPRING, ADJUST SCREW	1	
16	6T3-14321-00-00	.SCREW, THROTTLE	1	
17	6T3-14533-00-00	.SPRING ADJUST SCREW	1	
18	6T3-2819H-00-00	.GASKET KIT	1	
19	6T3-1410B-00-00	.PACKING KIT	1	
20	6T3-14227-00-00	.WASHER	1	
21	91401-10010-00	.PIN, COTTER	1	
22	92901-04600-00	..WASHER	1	
23	6T3-2585H-00-00	.SCREW, SET	1	

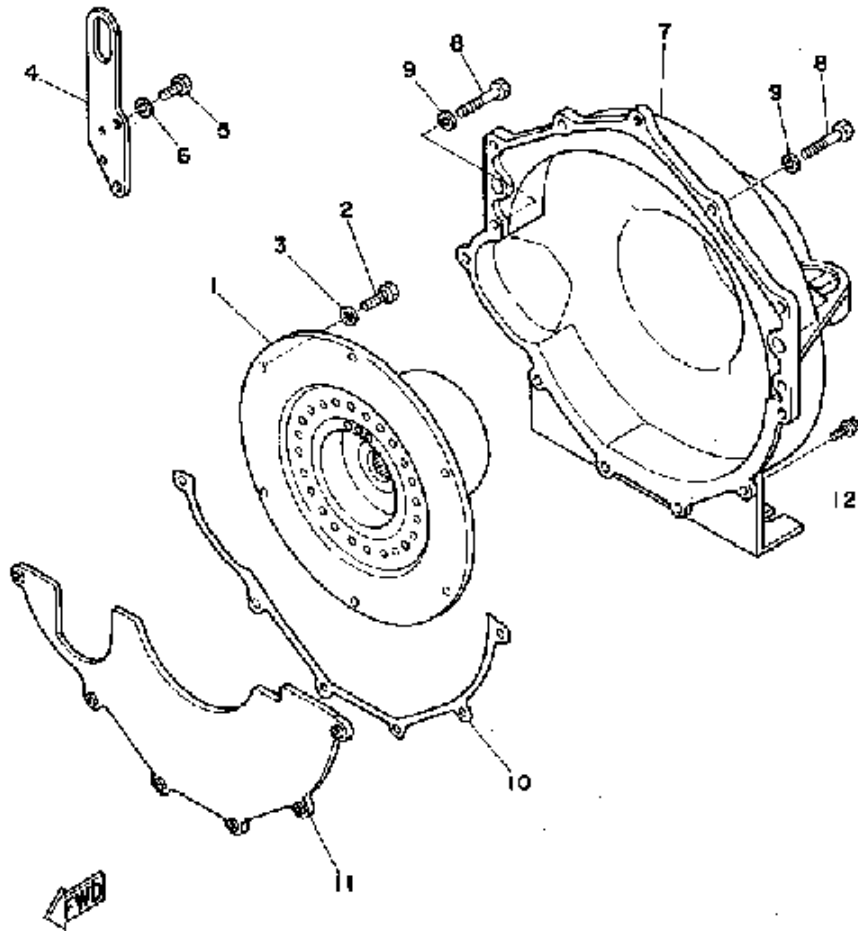


NOTE C: NOT INTERCHANGEABLE - REFER TO SERIAL NO.

Part List

L4_3.0_ENGINE_EST 1993 / EXHAUST SYSTEM

REF - NO	PART NUMBER	PART NAME	QUANTITY	REMARKS
1	YSC-13191-10-BC	MANIFOLD, INTAKE/EXHAUST (YSC- 13191-10-0C)	1	100664 ~
1	YSC-13191-10-CC	MANIFOLD, INTAKE/EXHAUST	1	300248 ~ SEE NOTE C
2	YSG-12517-94-3G	GASKET, HEAD TO MANIFOLD (YSG-37885-39- G0)	1	
3	YSC-90308-50-0C	BOLT, HEXAGON (3/8-16X5")	6	
4	YSC-93300-00-0C	WASHER, LOCK (3/8")	6	
5	YSC-10201-50-0C	DRAIN COCK, EXHAUST MANIFOLD	1	
6	YSC-10290-30-0C	PLUG, SOCKET BRASS (3/8" N.P.T)	1	
7	YSC-13191-20-0C	ELBOW, EXHAUST MIXING	1	
8	YSC-13192-00-AC	GASKET, MANIFOLD TO MIXING ELBOW (YSC-13192- 00-0C)	1	
9	YSC-90305-15-0C	BOLT, HEXAGON (3/8-16X1- 1/2")	2	
10	YSC-93300-00-0C	WASHER, LOCK (3/8")	4	
11	YSC-13192-70-AC	STUD (3/8-16X1.78" LG) (YSC-13192-70-0C)	2	
12	YSC-95300-00-0C	NUT, HEXAGON	2	
13	YSC-10192-20-0C	HOSE, EXHAUST CONNECTING (4")	1	
14	YSC-10201-70-0C	CLAMP, HOSE (#72)	4	
15	YSC-13192-40-0C	PIPE, EXHAUST INTERMEDIATE	1	
16	YSC-10192-30-0C	HOSE, EXHAUST CONNECTING (3")	1	
17	YSC-10201-60-0C	CLAMP, HOSE (#52)	4	
18	YSC-13191-40-0C	PIPE, EXHAUST COLLECTOR	1	
19	6T0-14673-00-00	SHUTTER, WATER	1	
20	6T0-14664-00-00	GROMMET, WATER SHUTTER	2	
21	6T0-14745-00-00	SHAFT, WATER SHUTTER	1	

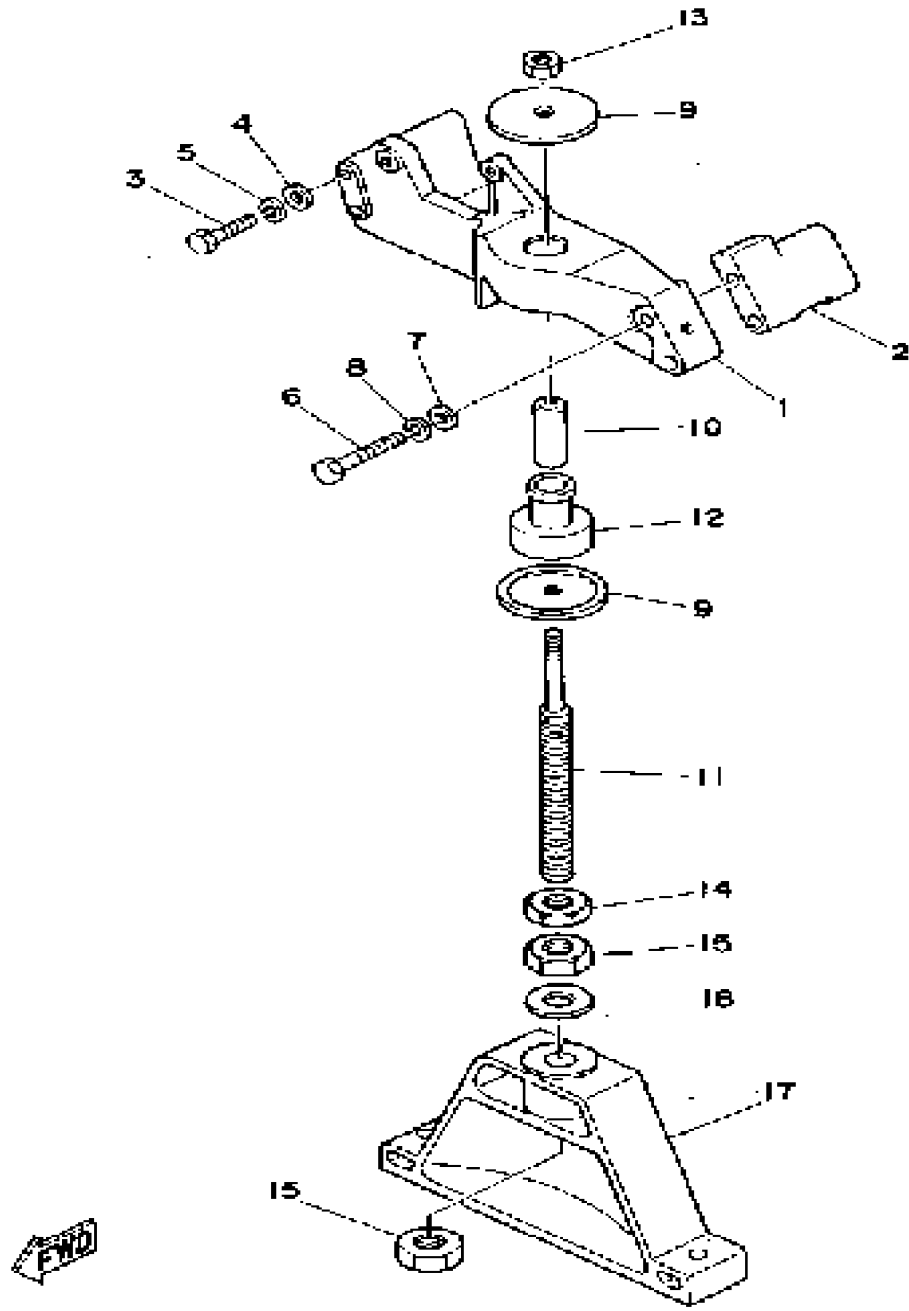


NOTE B: INTERCHANGEABLE - BUT PREVIOUS PART CAN NOT BE USED ON NEW ENGINES.

Part List

L4_3.0_ENGINE_EST 1993 / FLYWHEEL HOUSING

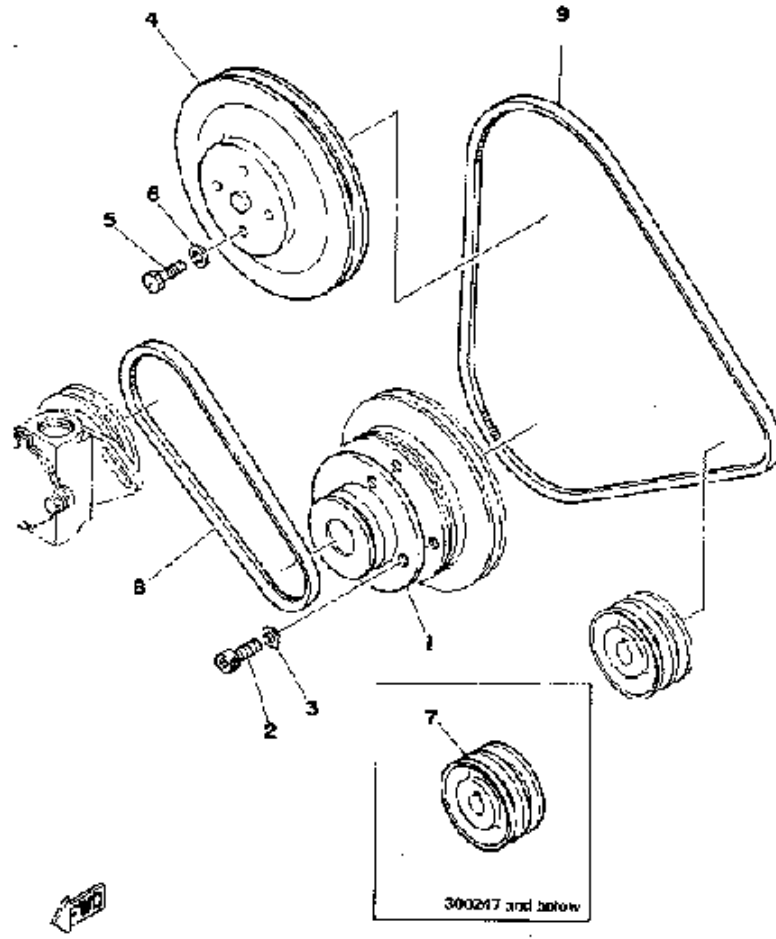
REF - NO	PART NUMBER	PART NAME	QUANTITY	REMARKS
1	YSC-13251-60-0C	COUPLING ASSEMBLY, ENGINE DRIVE	1	
2	YSG-83865-3G-00	BOLT, HEXAGON (3/8-16)	6	
3	YSC-92300-01-0C	WASHER, FLAT (3/8")	6	100101 ~
3	YSC-92300-00-1C	WASHER, FLAT (3/8")	6	SEE NOTE B
4	YSC-13281-60-0C	HANGER, ENGINE REAR	1	
5	YSC-90305-08-8C	BOLT, HEXAGON (3/8- 16X7/8")	2	
6	YSC-93300-00-0C	WASHER, LOCK (3/8")	2	
7	YSC-10281-10-BC	HOUSING, FLYWHEEL	1	
8	YSC-90305-12-5C	BOLT, HEXAGON (3/8-16X1- 1/4")	3	
9	YSC-93300-00-0C	WASHER, LOCK (3/8")	3	
10	YSC-10281-30-AC	GASKET, UNDERCOVER	1	
11	YSC-13281-20-0C	PLATE, FLYWHEEL HOUSING	1	
12	YSC-91100-10-0C	SCREW, SELF TAPPING (1/4- 20X1")	6	



Part List

L4_3.0_ENGINE_EST 1993 / MOUNTING - BRACKET

REF - NO	PART NUMBER	PART NAME	QUANTITY	REMARKS
1	YSC-13281-80-0C	BRACKET, UPPER FRONT MOUNT	1	
2	YSC-13282-20-0C	SPACER, FRONT MOUNT	1	
3	YSC-90308-50-0C	BOLT, HEXAGON (3/8-16X5")	2	
4	YSC-92300-00-0C	WASHER, FLAT (5/16")	2	
5	YSC-93300-00-0C	WASHER, LOCK (3/8")	2	
6	YSC-90408-60-0C	BOLT, HEXAGON (7/16- 14X6")	2	
7	YSC-92400-00-0C	WASHER, FLAT SPECIAL (7/16") (YSC-10260-40-0C)	2	
8	YSC-93400-00-0C	WASHER, LOCK (7/16")	2	
9	YSC-13282-40-0C	WASHER, FRONT MOUNT	2	
10	YSC-13282-10-0C	COLLAR, FRONT MOUNT	1	
11	YSC-13282-00-0C	BOLT, FRONT MOUNT	1	
12	YSC-13282-30-0C	BUSHING, FRONT MOUNT	1	
13	YSC-95512-00-0C	NUT, HEXAGON (1/2-20 UNF)	1	
14	YSC-95815-00-0C	JAM NUT, HEXAGON (7/8-14 UNF)	1	
15	YSC-95810-00-0C	NUT, HEXAGON (7/8-14 UNF)	2	
16	YSC-92800-00-0C	WASHER, FLAT (7/8")	1	
17	YSC-13281-90-0C	BRACKET, LOWER FRONT MOUNT	1	



Part List

L4_3.0_ENGINE_EST 1993 / BELTS - PULLEYS

REF - NO	PART NUMBER	PART NAME	QUANTITY	REMARKS
1	YSC-13252-20-0C	PULLEY, RAW WATER PUMP DRIVE	1	
2	YSC-91312-07-5C	SCREW, SOCKET HEAD (3/8- 24X3/4)	3	
3	YSC-94300-00-0C	WASHER, EXTERNAL TOOTH LOCK (3/8")	3	
4	YSG-39277-96-G0	PULLEY, CIRCULATION WATER PUMP	1	
5	YSC-90215-07-5C	BOLT, HEXAGON (5/16- 24X3/4")	4	
6	YSC-93200-00-0C	WASHER, LOCK (5/16")	8	
7	YSC-10251-50-0C	PULLEY, ALTERNATOR (2 GROOVE)	1	~300247
8	YSC-13260-60-0C	BELT	1	
9	YSC-13260-70-0C	BELT	1	