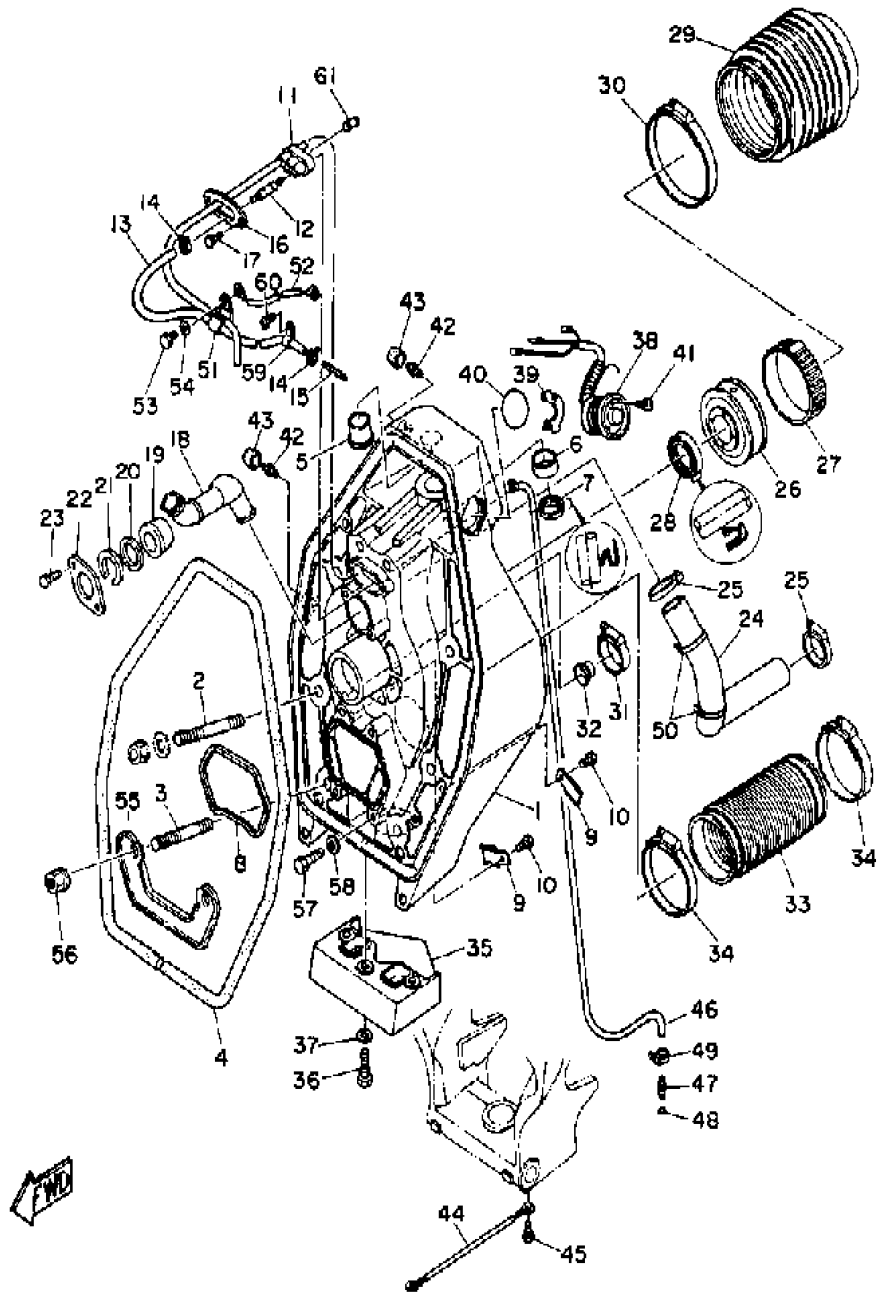


Part List

L4_DR 1990 / TRANSOM PLATE

REF - NO	PART NUMBER	PART NAME	QUANTITY	REMARKS
1	6T4-45831-00-EK	PLATE, TRANSOM	1	
2	6T4-11019-01-00	MOUNT, RUBBER 2	2	
3	6T4-11029-00-00	STOPPER, MOUNT RUBBER	4	
4	90387-12M00-00	COLLAR	2	
5	90101-13M04-00	BOLT	2	
6	95380-12700-00	NUT	2	
7	92990-12200-00	WASHER, PLAIN	4	
8	95780-12300-00	NUT, FLANGE	4	
9	97595-12265-00	BOLT (97395-12065)	2	
10	90201-13M02-00	WASHER, PLATE	2	
11	95780-12300-00	NUT, FLANGE	2	



Part List


L4_DR 1990 / GIMBAL HOUSING 1

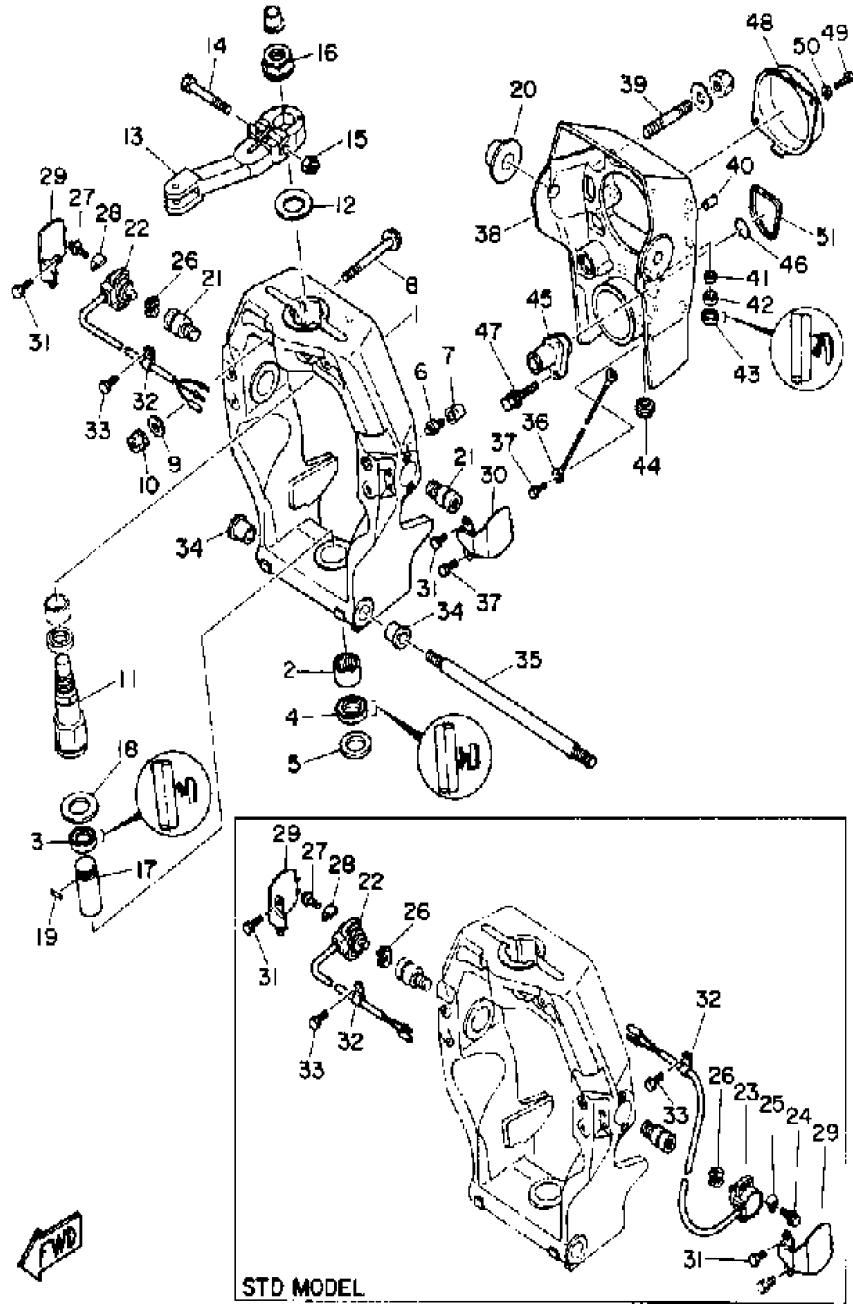
REF - NO	PART NUMBER	PART NAME	QUANTITY	REMARKS
1	6T4-4583E-01-EK	HOUSING, GIMBAL	1	
2	90116-12M37-00	BOLT, STUD	4	
3	90116-12M36-00	BOLT, STUD	2	
4	6T4-45834-00-00	GASKET, TRANSOM	1	
5	90389-16M00-00	BUSH	1	
6	90384-25M14-00	BUSH, BIMETAL FORM	1	
7	93104-25M05-00	OIL SEAL	1	
8	6T4-14613-00-00	GASKET, EXHAUST PIPE	1	
9	90465-20M31-00	CLAMP	2	
10	90101-06M02-00	BOLT	2	
11	90480-20M45-00	GROMMET	1	
12	6T4-83652-00-00	CONNECTOR	1	
13	90445-07M18-00	HOSE	1	
14	90465-11M10-00	CLAMP	2	
15	6E5-83558-00-00	END, NIPPLE	1	
16	6T4-4583H-01-00	SET PLATE, RUBBER SEAL	1	
17	97395-06012-00	BOLT	2	
18	6T4-44361-00-00	TUBE, WATER	1	
19	6T4-44365-00-00	DAMPER, WATER SEAL	1	
20	90201-29M00-00	WASHER, PLATE	1	
21	6T4-44314-00-00	SPACER	1	
22	6T4-44373-00-00	SET PLATE, WATER TUBE	1	
23	97395-08020-00	BOLT, HEXAGON	2	
24	6T4-4583M-01-00	HOSE, WATER 1	1	
25	90460-25M09-00	CLAMP, HOSE	2	
26	93399-999U0-00	BEARING	1	
27	6T4-45842-00-00	PLATE, GIMBAL BEARING	1	
28	93102-35M30-00	OIL SEAL	1	
29	6T4-45867-00-00	BELLOWS	1	
30	90460-90M10-00	CLAMP, HOSE	1	
31	90460-35M11-00	CLAMP, HOSE	1	
32	6T4-48341-00-00	SLEEVE, SHIFT	1	
33	6T4-41145-00-00	EXHAUST BELLOWS	1	
34	90460-70M13-00	CLAMP, HOSE	2	
35	6T4-45836-00-00	ANODE	1	
36	97395-08025-00	BOLT	3	
37	92990-08600-00	WASHER, PLATE	3	
38	6T4-82563-00-00	TRIM & TILT SWITCH ASSY	1	
39	6T4-83614-00-00	BRACKET	1	
40	93210-39M89-00	O-RING	1	
41	90159-05M12-00	SCREW, WITH WASHER	2	
42	93700-09M00-00	NIPPLE, GREASE	2	
43	663-45119-00-00	CAP, GREASE NIPPLE	2	
44	6T4-82117-00-00	WIRE, LEAD	1	
45	97395-06010-00	BOLT	1	
46	90445-07M18-00	HOSE	1	
47	6T4-45378-00-00	NIPPLE, HOSE	1	
48	93210-05M92-00	O-RING	1	
49	90465-11M10-00	CLAMP	4	
50	90465-13M18-00	CLAMP	2	
51	90465-08M33-00	CLAMP	1	
52	6T4-82149-00-00	WIRE, LEAD 3	1	

53	97395-06012-00	BOLT	1	
54	92990-06600-00	WASHER, PLATE	1	
55	6T4-45833-00-00	PLATE, TRANSOM	1	
56	95780-12300-00	NUT, FLANGE	2	
57	97395-08030-00	BOLT	4	
58	92990-08600-00	WASHER, PLATE	4	
59	90464-11M18-00	CLAMP	1	
60	97780-50512-00	SCREW, TAPPING	1	
61	6T4-8352K-00-00	PLUG, BLIND	1	YEMS MODEL

Part Notes

L4_DR 1990 / GIMBAL HOUSING 1

PART NUMBER		NOTE TEXT
92990-06600-00		OEM: This part number is among the Top 100 Most Popular Marine Maintenance Parts as of February 2013.



Part List



L4_DR 1990 / GIMBAL HOUSING 2

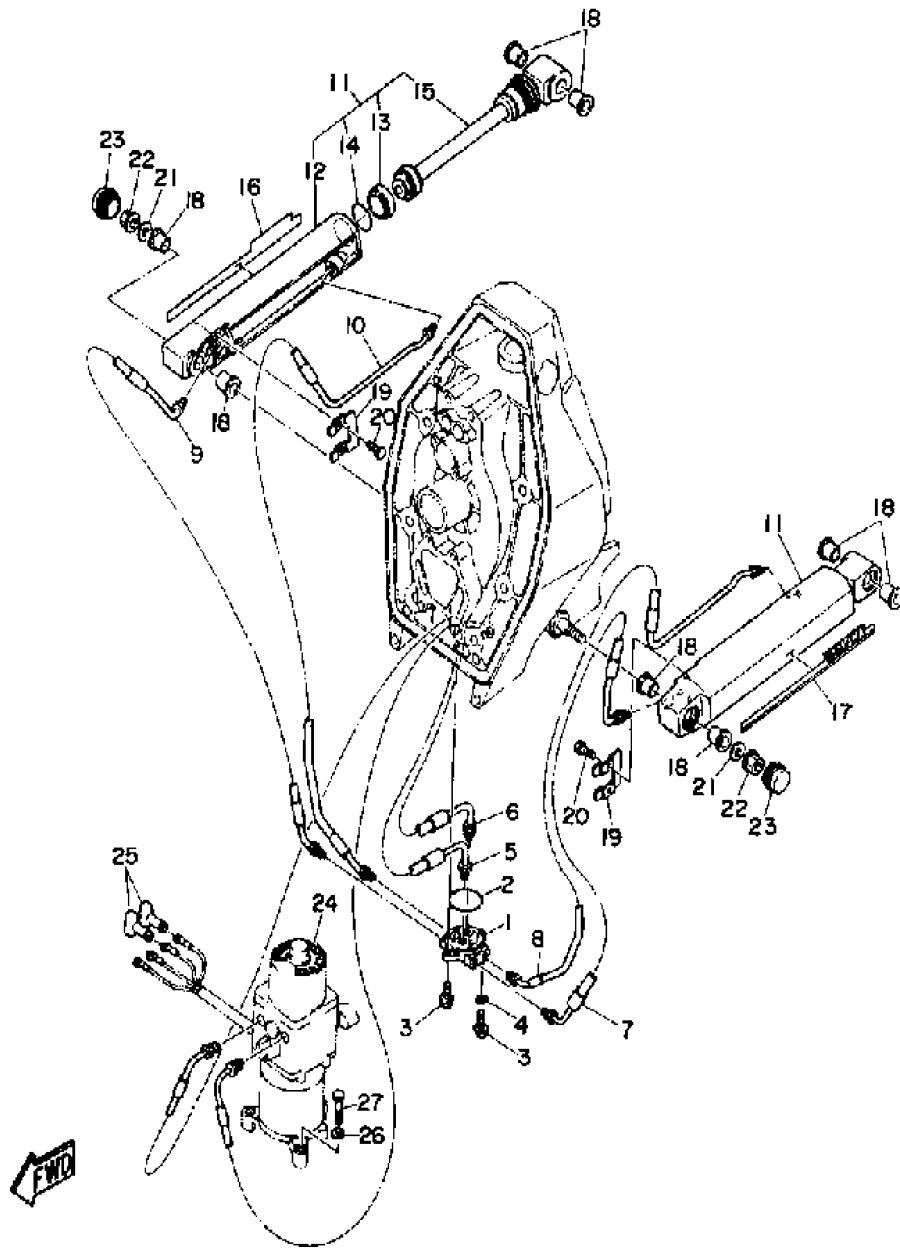
REF - NO	PART NUMBER	PART NAME	QUANTITY	REMARKS
1	6T4-4584E-01-EK	RING, GIMBAL	1	
2	93315-425W1-00	BEARING, CYLINDRICAL	1	
3	93104-25M05-00	OIL SEAL	1	
4	93109-25M05-00	OIL SEAL	1	
5	90387-22M00-00	COLLAR	1	
6	93700-09M00-00	NIPPLE, GREASE	3	
7	663-45119-00-00	CAP, GREASE NIPPLE	3	
8	90119-10M44-00	BOLT, WITH WASHER	2	
9	92990-10600-00	WASHER, PLATE	2	
10	95780-10300-00	NUT, FLANGE	2	
11	6T4-42521-00-00	SHAFT, STEERING PIV	1	
12	90201-26M01-00	WASHER, PLATE	1	
13	6T4-42511-00-EK	BRACKET, STEERING	1	
14	90101-10M89-00	BOLT	1	
15	90185-10M06-00	NUT, SELF-LOCKING	1	
16	90185-20M04-00	NUT, SELF-LOCKING	1	
17	6T4-42522-00-00	SHAFT, STEERING PIVOT 2	1	
18	90201-26M01-00	WASHER, PLATE	1	
19	91690-40040-00	PIN, SPRING	1	
20	90386-22M83-00	BUSH, SPEC"L NYLON	2	
21	6T4-43143-00-00	BOLT	2	
22	6T4-83672-10-00	TRIM SENDER	1	UR
22	6T4-83672-00-00	TRIM SENDER	1	UR YEMS MODEL
23	6T4-8259G-00-00	SWITCH, TRIM LIMIT	1	
24	90159-05M13-00	SCREW, WITH WASHER	2	
25	90209-05M18-00	WASHER	2	
26	6T4-83674-00-00	COUPLER, SENDER	1	UR YEMS MODEL
26	6T4-83674-00-00	COUPLER, SENDER	2	UR
27	90159-05M13-00	SCREW, WITH WASHER	2	
28	90209-05M18-00	WASHER	2	
29	6T4-43679-01-00	STOPPER, HOOK	2	UR
29	6T4-43679-00-00	STOPPER, HOOK	1	UR YEMS MODEL
30	6T4-43677-00-00	STOPPER, HOOK	1	YEMS MODEL
31	90101-06M02-00	BOLT	3	
32	90465-08M32-00	CLAMP	1	UR YEMS MODEL
32	90465-08M32-00	CLAMP	2	UR
33	90101-06M02-00	BOLT	1	UR YEMS MODEL
33	90101-06M02-00	BOLT	2	UR
34	90386-16M81-00	BUSH	2	
35	6T4-43124-00-00	PIN, LOWER SHOCK MOUNT	1	
36	6T4-82127-00-00	WIRE, LEAD 2	1	
37	97395-06010-00	BOLT	2	
38	6T4-43311-00-EK	BRACKET, SWIVEL	1	
39	90116-12M35-00	BOLT, STUD	6	
40	93608-16M16-00	PIN, DOWEL	2	
41	90380-08M26-00	BUSH, SOLID	1	
42	90380-12M27-00	BUSH, SOLID	1	
43	93109-12M06-00	OIL SEAL	1	
44	90480-19M41-00	GROMMET	1	
45	6T4-44362-00-00	TUB, WATER	1	
46	93210-29650-00	O-RING	1	
47	90119-06M45-00	BOLT, WITH WASHER	2	

48	6T4-45868-00-00	RETAINER, BELLOWS	1
49	97395-06010-00	BOLT	2
50	92990-06600-00	WASHER, PLATE	2
51	6T4-44366-00-00	DAMPER, WATER SEAL	1

Part Notes

L4_DR 1990 / GIMBAL HOUSING 2

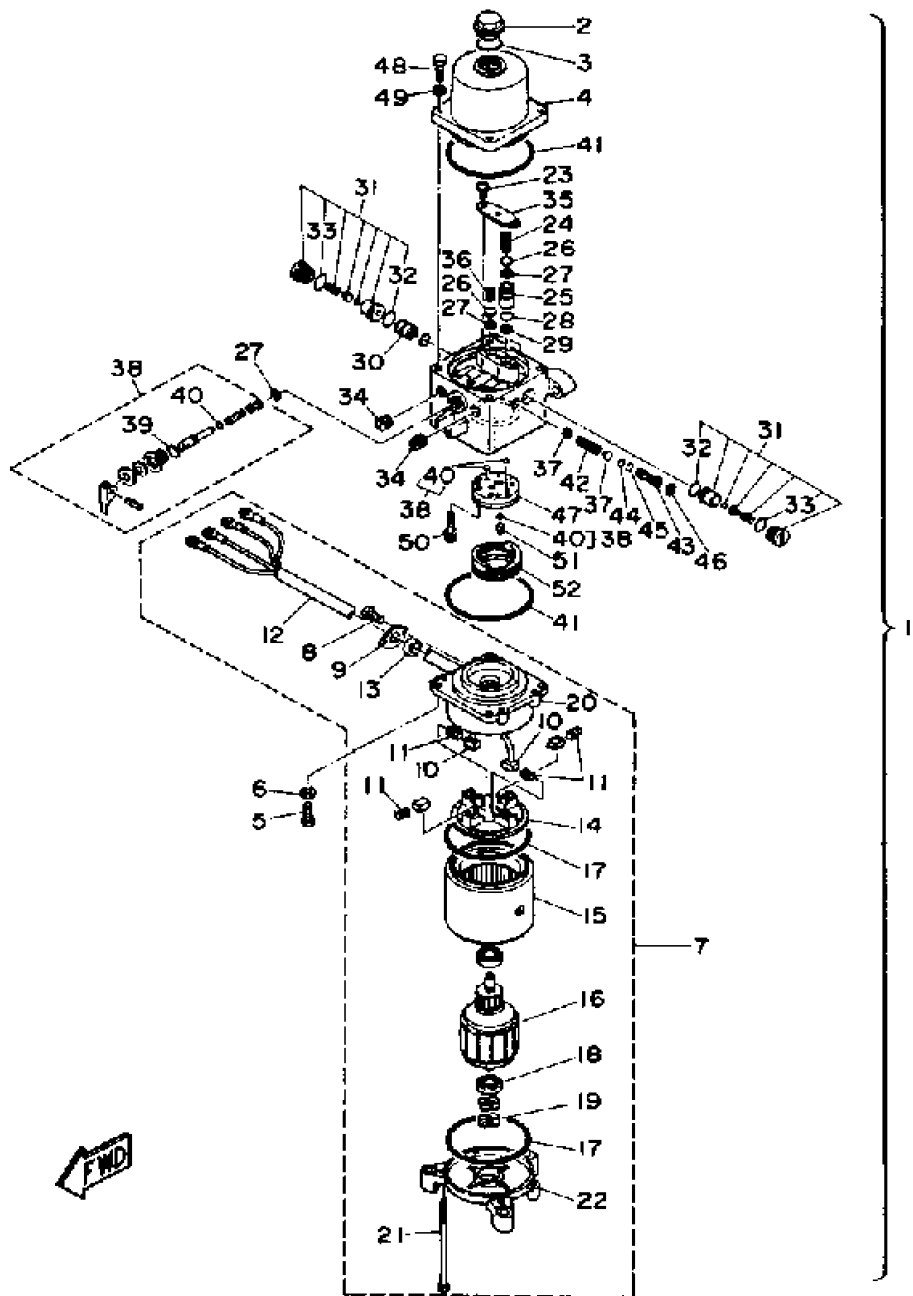
PART NUMBER		NOTE TEXT
92990-10600-00		OEM: This part number is among the Top 100 Most Popular Marine Maintenance Parts as of February 2013.
92990-06600-00		OEM: This part number is among the Top 100 Most Popular Marine Maintenance Parts as of February 2013.



Part List

L4_DR 1990 / TILT CYLINDER

REF - NO	PART NUMBER	PART NAME	QUANTITY	REMARKS
1	6T4-4382A-00-EK	ADAPTOR 1	1	
2	93210-48M87-00	O-RING	1	
3	90119-06M45-00	BOLT, WITH WASHER	2	
4	90209-06M05-00	WASHER	1	
5	6T4-4383K-00-00	HOSE, OIL 1	1	
6	6T4-4383E-00-00	HOSE ,OIL 2	1	
7	6T4-4383F-00-00	HOSE, OIL 3	1	
8	6T4-4383G-00-00	HOSE, OIL 4	1	
9	6T4-4383H-00-00	HOSE, OIL 5	1	
10	6T4-4383J-00-00	HOSE, OIL 6	1	
11	6T4-4380E-00-EK	TILT CYLINDER ASSEMBLY	2	
12	6T4-43813-00-00	.CYLINDER, TILT	1	
13	6T4-43814-00-00	.PISTON, FREE	1	
14	6T4-43862-00-00	.O-RING	1	
15	6T4-43810-00-00	.PISTON SUB ASSEMBLY	1	
16	6T4-42783-00-00	GRAPHIC, SIDE	1	
17	6T4-42784-00-00	GRAPHIC, SIDE	1	
18	90386-16M81-00	BUSH	8	
19	6T4-4381E-00-00	BRACKET	2	
20	90101-06M02-00	BOLT	4	
21	90201-10M76-00	.WASHER, PLATE	2	
22	95780-10300-00	NUT, FLANGE	2	
23	6T4-43125-00-00	COVER SHOCK MOUNT	2	
24	6T4-42791-00-00	MARK 1	1	
25	6G5-82119-10-00	COVER, LEAD WIRE	2	
26	92990-08600-00	WASHER, PLATE	3	
27	90149-08M11-00	SCREW	3	



Part List


L4_DR 1990 / POWER TILT BODY ASSEMBLY

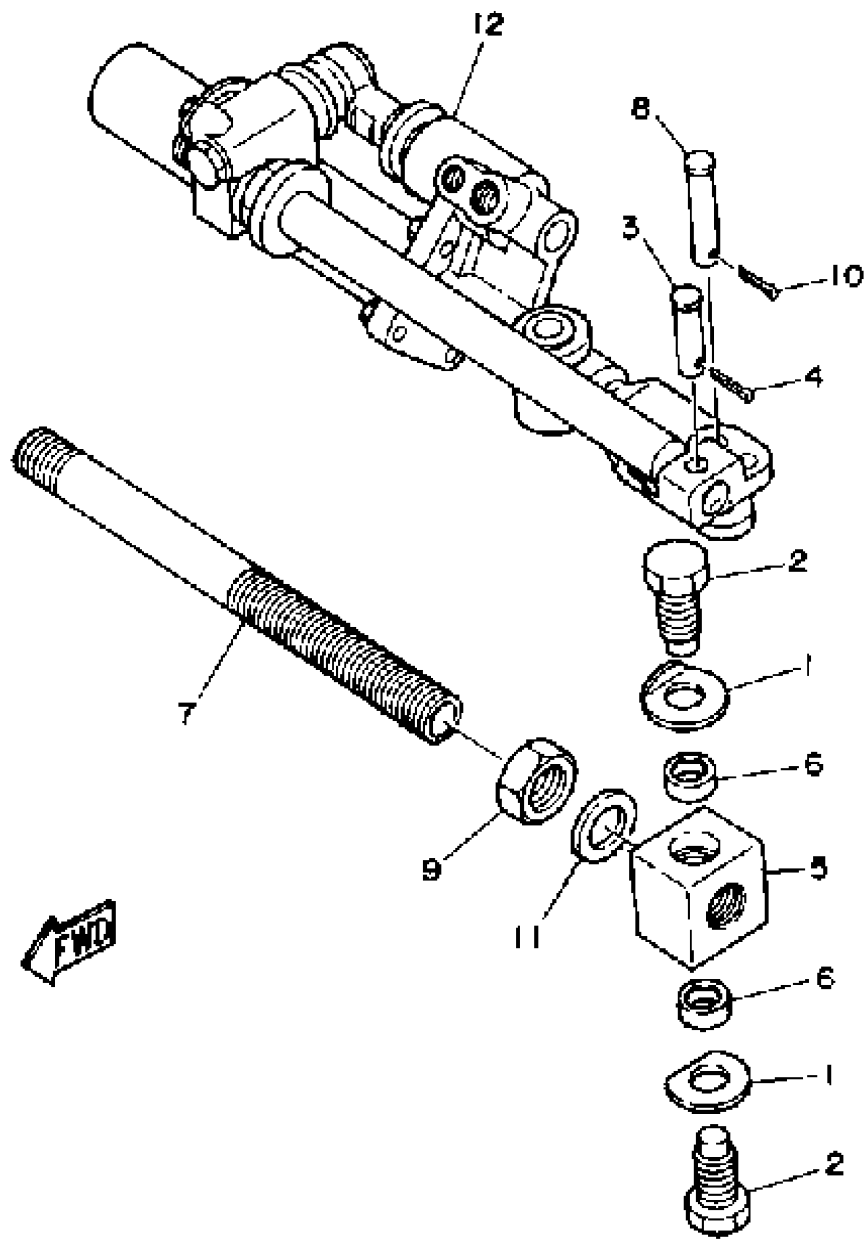
REF - NO	PART NUMBER	PART NAME	QUANTITY	REMARKS
1	6T4-4380A-00-EK	POWER TILT BODY ASSEMBLY	1	
2	6T4-43829-00-00	..PLUG, RESERVOR	1	
3	93210-21276-00	..O-RING	1	
4	6T4-43828-00-00	..BODY, RESERVOIR	1	
5	97395-06020-00	..BOLT, HEXAGON	4	
6	92990-06100-00	..WASHER, SPRING	4	
7	6T4-43880-00-00	..MOTOR ASSEMBLY	1	
8	98580-05008-00	..SCREW, PAN HEAD	2	
9	6T4-4386J-00-00	..WASHER, SPECIAL	1	
10	6T4-43891-00-00	..BRUSH	2	
11	6T4-4386K-00-00	..SPRING, BRUSH	4	
12	6T4-43807-00-00	..WIRE SUB ASSEMBLY	1	
13	6T4-43885-00-00	..GROMMET	1	
14	6T4-43806-00-00	..BRUSH HOLDER ASSEMBLY	1	
15	6T4-43804-00-00	..STATOR ASSEMBLY	1	
16	6T4-43805-00-00	..ARMATURE ASSEMBLY	1	
17	93210-81782-00	..O-RING	2	
18	93300-60820-00	..BEARING	1	
19	90206-14086-00	..WASHER, WAVE	2	
20	6T4-43881-00-00	..FRAME, END	1	
21	6T4-43887-00-00	..BOLT, THROUGH	4	
22	6T4-43884-00-00	..FRAME, COMMUTATOR END	1	
23	97601-05210-00	..SCREW, PAN HEAD WITH WASHER	3	
24	6T4-43855-00-00	..SPRING, UP RELIEF	1	
25	6T4-43895-00-00	..SEAT, RELIEF VALVE	1	
26	6H1-43844-00-00	..PIN, VALVE SUPPORT	2	
27	6H1-4384G-00-00	..SEAL, RELIEF VALVE	3	
28	93210-10M74-00	..O-RING	1	
29	6H1-43816-00-00	..FILTER 1	1	
30	6T4-43841-00-00	..PISTON, SHUTTLE	1	
31	6T4-43802-00-00	..VALVE SUB ASSEMBLY	2	
32	6H1-43867-00-00	..O-RING	1	
33	6H1-43866-00-00	..O-RING	1	
34	6T4-4388H-00-00	..PLUG	2	
35	6T4-4382K-00-00	..CAP, RELIEF VALVE	1	
36	6T4-43856-00-00	..SPRING, DOWN RELIEF	1	
37	6H1-4384F-00-00	..SEAL, MAIN VALVE	2	
38	6T4-43860-00-00	..MANUAL VALVE SUB-ASSY	1	
39	93210-10M74-00	..O-RING	1	
40	93210-06519-00	..O-RING	4	
41	6T4-43869-00-00	..O-RING	2	
42	6T4-4385H-00-00	..SPRING, SEAL	1	
43	6T4-43849-00-00	..PIN, VALVE SUPPORT	1	
44	93210-06632-00	..O-RING	1	
45	6H1-43868-00-00	..O-RING	1	
46	6T4-43876-00-00	..RING, SNAP	1	
47	6T4-43830-00-00	..GEAR PUMP ASSY	1	
48	97395-06025-00	..BOLT	4	
49	92990-06600-00	..WASHER, PLATE	4	
50	97601-04230-00	..SCREW, PAN HEAD WITH WASHER	3	

51	6H1-43831-00-00	.CONNECTOR, SHAFT	1
52	6H1-43817-00-00	.FILTER 2	1

Part Notes

L4_DR 1990 / POWER TILT BODY ASSEMBLY

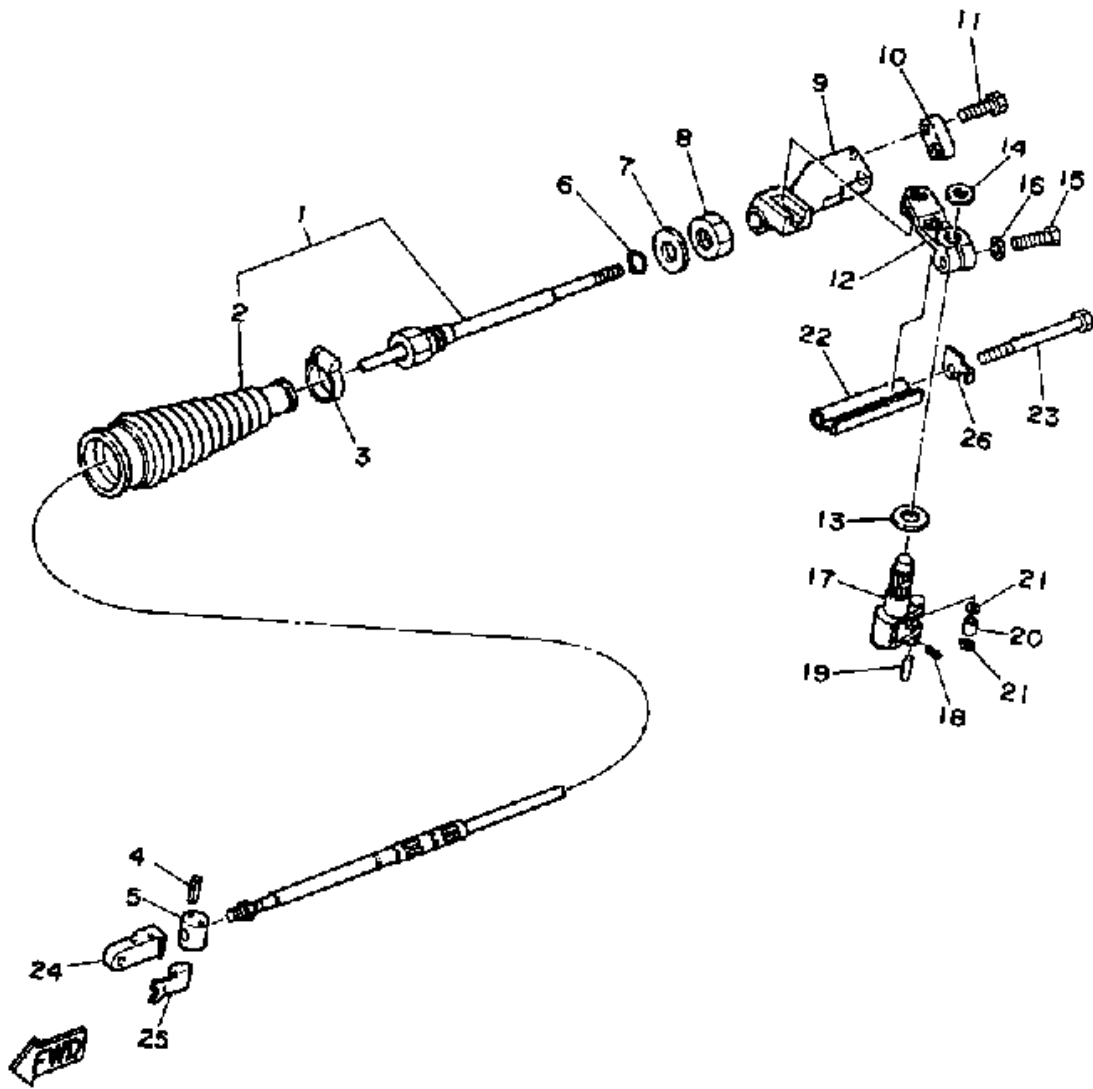
PART NUMBER		NOTE TEXT
92990-06600-00		OEM: This part number is among the Top 100 Most Popular Marine Maintenance Parts as of February 2013.



Part List

L4_DR 1990 / STEERING

REF - NO	PART NUMBER	PART NAME	QUANTITY	REMARKS
1	90215-18M01-00	WASHER, LOCK	2	
2	90109-18M41-00	BOLT	2	
3	90240-09M13-00	PIN, CLEVIS	1	
4	91490-25020-00	PIN. COTTER	1	
5	6T4-45858-00-00	BLOCK, STEERING	1	
6	90386-15M80-00	BUSH	2	
7	6T4-45857-00-00	TUBE, STEERING	1	
8	90240-09M12-00	PIN, CLEVIS	1	AP FOR POWER STEERING
9	90170-22M15-00	NUT	1	
10	91490-25020-00	PIN. COTTER	1	AP FOR POWER STEERING
11	92990-22600-00	WASHER	1	
12	6T4-42401-00-EK	POWER STEERING CYLINDER ASSY	1	AP FOR POWER STEERING




Part List

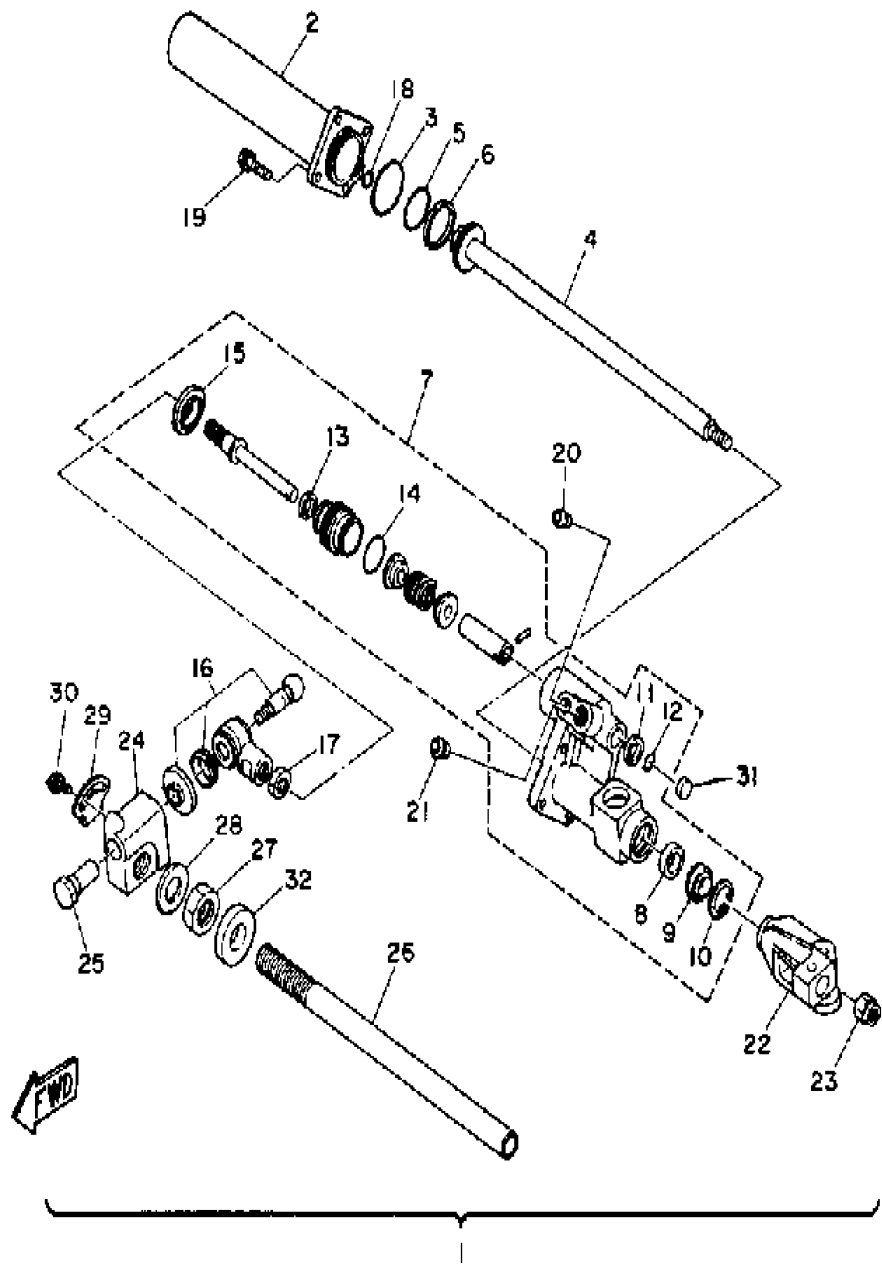
L4_DR 1990 / CONTROL

REF - NO	PART NUMBER	PART NAME	QUANTITY	REMARKS
1	6T4-48311-00-00	CABLE, REMO.CONTROL	1	
2	6T4-48392-00-00	.BOOT, REMOCON CABLE	1	
3	90460-10M12-00	CLAMP, HOSE	1	
4	91690-30014-00	PIN, SPRING	2	
5	6T4-48536-00-00	SHAFT, PIVOT	1	
6	93210-10166-00	O-RING	1	
7	92990-12600-00	WASHER, PLATE	1	
8	95380-12700-00	NUT	1	
9	6T4-44123-00-00	ARM, SHIFT ROD	1	
10	6T4-44129-00-00	NUT	1	
11	90101-05M20-00	BOLT	1	
12	6T4-44120-00-00	HANDLE GEAR SHFT ASSY	1	
13	90202-11M39-00	WASHER, PLATE	1	
14	90202-08M41-00	WASHER, PLATE	1	
15	97395-06016-00	BOLT	1	
16	92990-06600-00	WASHER, PLATE	1	
17	6T4-44159-00-00	HANDLE, GEAR SHIFT	1	
18	91690-20008-00	PIN, SPRING	1	
19	90250-04M09-00	PIN, STRAIGHT	1	
20	90380-04M28-00	BUSH, SOLID	1	
21	90201-04M02-00	WASHER, PLATE	2	
22	6T4-44113-00-00	CAM, PLATE HANDLE	1	
23	90101-06M89-00	BOLT	1	
24	6G8-26363-00-00	.END, WIRE 1	1	
25	6G8-26364-00-00	.END, CABLE	1	
26	6T4-44114-00-00	STOPPER	1	

Part Notes

L4_DR 1990 / CONTROL

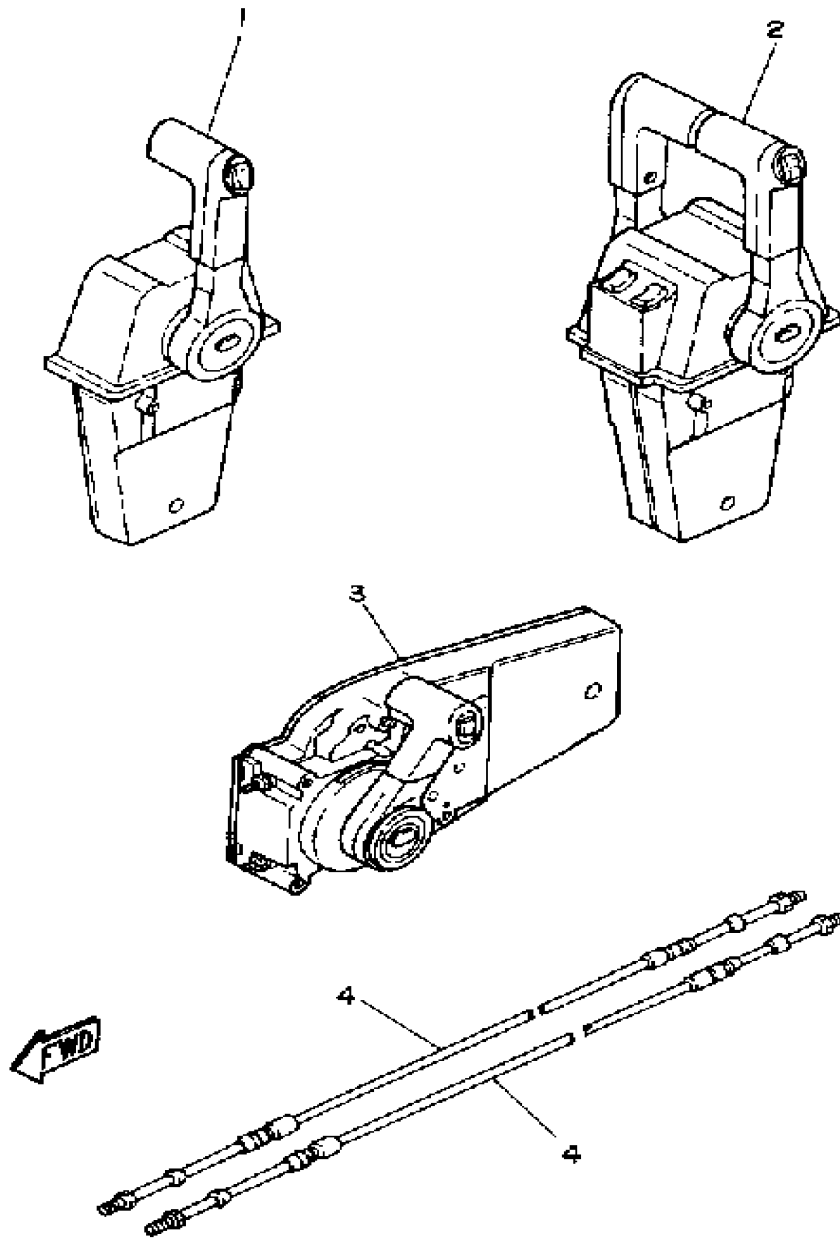
PART NUMBER	NOTE TEXT
92990-06600-00 	OEM: This part number is among the Top 100 Most Popular Marine Maintenance Parts as of February 2013.



Part List

L4_DR 1990 / POWER STEERING CYLINDER ASSEMBLY

REF - NO	PART NUMBER	PART NAME	QUANTITY	REMARKS
1	6T4-42401-00-EK	POWER STEERING CYLINDER ASSY	1	
2	6T4-42410-00-00	.CYLINDER SUB-ASSEMBLY	1	
3	6T4-42416-00-00	.O-RING	1	
4	6T4-42420-00-00	.ROD SUB-ASSEMBLY	1	
5	6T4-42414-00-00	.O-RING	1	
6	6T4-42413-00-00	.SEAL, SLIPPER	1	
7	6T4-42430-00-00	.BODY, SUB-ASSEMBLY	1	
8	6T4-42449-00-00	..U-PACKING, CYLINDER	1	
9	6T4-42452-00-00	..WIPER, DUST	1	
10	6T4-42451-00-00	..SNAP RING, DUST WIPER	1	
11	6T4-42444-00-00	..U-PACKING, SPOOL VALVE	1	
12	6T4-42445-00-00	..O-RING	1	
13	6T4-42442-00-00	..UPACKING, SPOOL SHAFT	1	
14	6T4-42443-00-00	..O-RING	1	
15	6T4-42441-00-00	..DUST COVER, VALVE	1	
16	6T4-42460-00-00	.BALL JOINT SUB-ASSEMBLY	1	
17	6T4-42463-00-00	.NUT, BALL JOINT	1	
18	6T4-42417-00-00	.O-RING	1	
19	6T4-42415-00-00	.BOLT, CYLINDER	4	
20	6T4-42447-00-00	.SEAT, VALVE 1	1	
21	6T4-42448-00-00	.SEAT, VALVE 2	1	
22	6T4-42411-00-00	.ROD, END	1	
23	6T4-42412-00-00	.NUT, ROD END	1	
24	6T4-42471-00-00	.CONNECTOR, BALL JONT	1	
25	6T4-42472-00-00	.BOLT, CONNECTOR	1	
26	6T4-42473-00-00	.TUBE, SUPPORT	1	
27	6T4-42474-00-00	.NUT, SUPPORT TUBE	1	
28	6T4-42475-00-00	.WASHER, SUPPORT TUBE	1	
29	6T4-42477-00-00	.PLATE, LOCK	1	
30	6T4-42478-00-00	.BOLT, LOCK PLATE	1	
31	6T4-42446-00-00	.PLUG, VALVE	1	
32	6T4-42476-00-00	.CUSHION, SUPPORT TUBE	1	

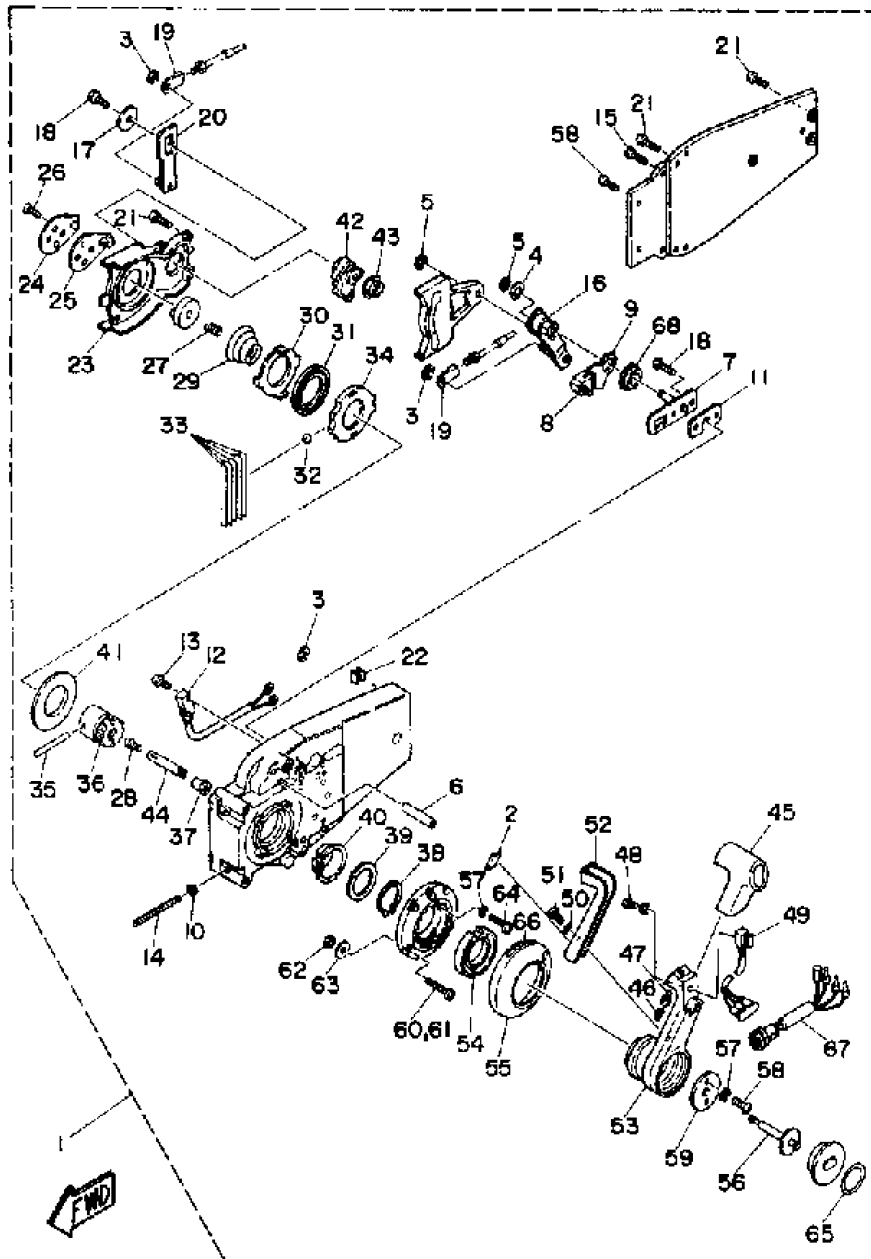


Part List

L4_DR 1990 / REMOTE CONTROL CABLES

REF - NO	PART NUMBER	PART NAME	QUANTITY	REMARKS
1	6XE-48250-10-00	REMOTE CONTROL ASSY	1	UR SINGLE FOR TOP MOUNT TYPE
2	6XE-48280-10-00	REMOTE CONTROL ASSY	1	UR TWIN FOR TOP MOUNT TYPE
3	6XF-48250-10-00	CONTROL BOX (FLUSH)	1	UR CONCEALED SIDE MOUNT TYPE
4	ABA-CABLE-09-GY	REMOTE CONTROL CABLES (9')	1	
4	ABA-CABLE-10-GY	REMOTE CONTROL CABLES (10')	1	
4	ABA-CABLE-11-GY	REMOTE CONTROL CABLES (11')	1	
4	ABA-CABLE-12-GY	REMOTE CONTROL CABLES (12')	1	
4	ABA-CABLE-13-GY	REMOTE CONTROL CABLES (13')	1	
4	ABA-CABLE-14-GY	REMOTE CONTROL CABLES (14')	1	
4	ABA-CABLE-15-GY	REMOTE CONTROL CABLES (15')	1	
4	ABA-CABLE-16-GY	REMOTE CONTROL CABLES (16')	1	
4	ABA-CABLE-17-GY	REMOTE CONTROL CABLES (17')	1	
4	ABA-CABLE-18-GY	REMOTE CONTROL CABLES (18')	1	
4	ABA-CABLE-19-GY	REMOTE CONTROL CABLES (19')	1	
4	ABA-CABLE-20-GY	REMOTE CONTROL CABLES (20')	1	
4	ABA-CABLE-50-GY	REMOTE CONTROL CABLES - 50 FT.	1	
4	ABA-CABLE-24-GY	REMOTE CONTROL CABLES (24')	1	
4	ABA-CABLE-26-GY	REMOTE CONTROL CABLES (26')	1	
4	ABA-CABLE-28-GY	REMOTE CONTROL CABLES (28')	1	
4	ABA-CABLE-30-GY	REMOTE CONTROL CABLES (30')	1	
4	ABA-CABLE-32-GY	REMOTE CONTROL CABLES (32')	1	
4	ABA-CABLE-34-GY	REMOTE CONTROL CABLES (34')	1	
4	ABA-CABLE-36-GY	REMOTE CONTROL CABLES (36')	1	
4	ABA-CABLE-21-GY	REMOTE CONTROL CABLES - 21FT.	1	
4	ABA-CABLE-23-GY	REMOTE CONTROL CABLES - 23FT.	1	
4	ABA-CABLE-25-GY	REMOTE CONTROL CABLES - 25FT.	1	
4	ABA-CABLE-27-GY	REMOTE CONTROL CABLES - 27 FT.	1	
4	ABA-CABLE-29-GY	REMOTE CONTROL CABLES - 29FT.	1	
4	ABA-CABLE-38-GY	REMOTE CONTROL CABLES - 38 FT.	1	
4	ABA-CABLE-40-GY	REMOTE CONTROL CABLES - 40 FT.	1	
4	ABA-CABLE-42-GY	REMOTE CONTROL CABLES - 42 FT.	1	
4	ABA-CABLE-44-GY	REMOTE CONTROL CABLES - 44 FT.	1	
4	ABA-CABLE-46-GY	REMOTE CONTROL CABLES -	1	

		46 FT.		
4	ABA-CABLE-48-GY	REMOTE CONTROL CABLES - 48 FT.	1	
4	ABA-CABLE-08-GY	REMOTE CONTROL CABLES (8')	1	
4	ABA-CABLE-07-GY	REMOTE CONTROL CABLES (7')	1	
4	ABA-CABLE-06-GY	REMOTE CONTROL CABLES (6 ')	1	
4	ABA-CABLE-22-GY	REMOTE CONTROL CABLES (22')	1	



Part List


L4_DR 1990 / REMOTE CONTROL COMPONENT PARTS 1

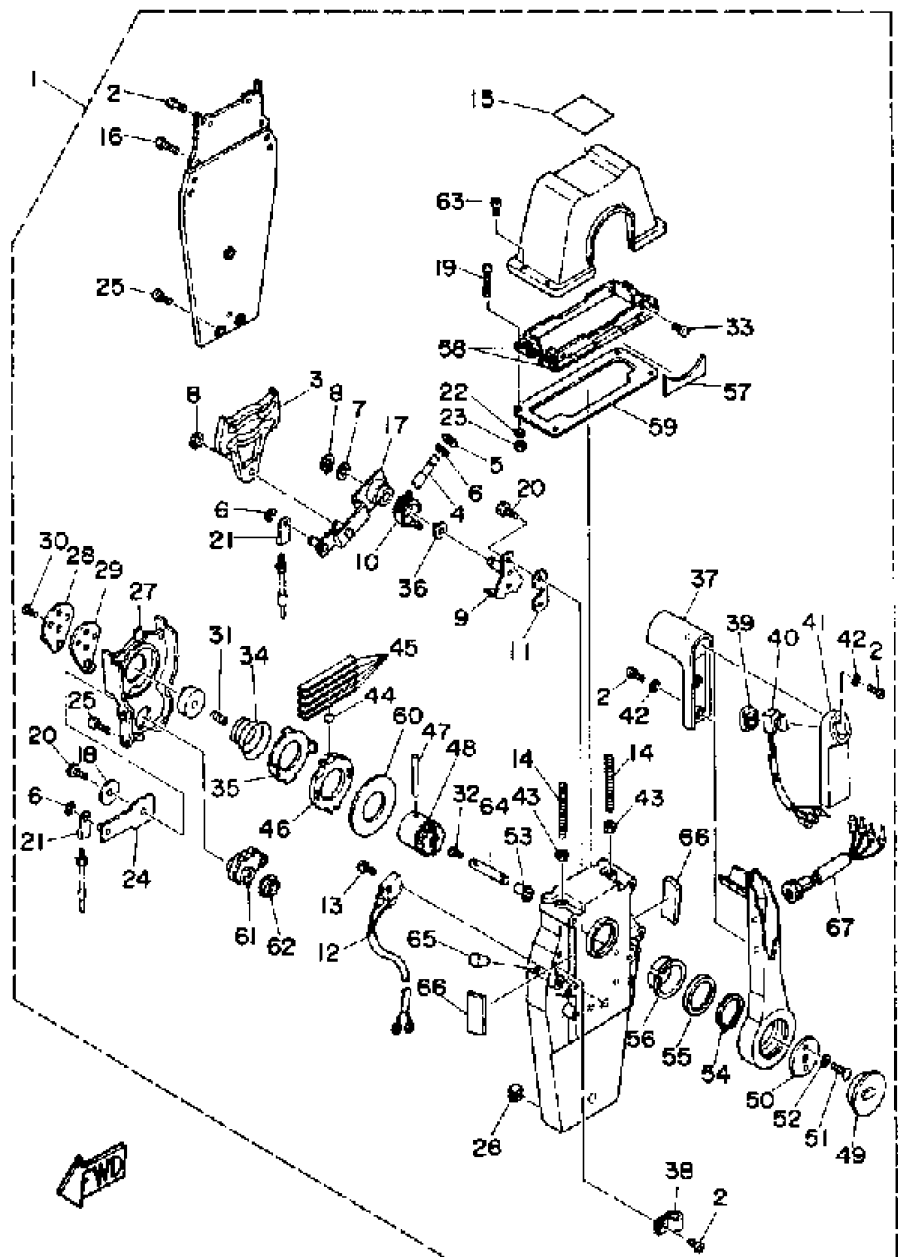
REF - NO	PART NUMBER	PART NAME	QUANTITY	REMARKS
1	6XF-48250-10-00	CONTROL BOX (FLUSH)	1	CONCEALED SIDE MOUNT TYPE
2	6X0-48138-00-00	.CAP, LOCK ARM	1	
3	93430-06024-00	.CIRCLIP	3	
4	92990-10600-00	.WASHER, PLATE	1	
5	EL8-48259-00-00	.CIRCLIP 1	2	
6	6X0-48265-00-00	.SHAFT, FRICTION	1	
7	6X0-48262-00-00	.SHAFT, THROTTLE	1	
8	6X0-48264-00-00	.THROTTLE, FRICTION	1	
9	6X0-48187-00-00	.PLATE, ADJUST	1	
10	95380-06600-00	.NUT, HEXAGON	2	
11	704-48266-00-00	.SPACER	1	
12	6XF-82540-00-00	.NEUTRAL SWITCH ASSEMBLY	1	
13	98580-03015-00	.SCREW, PAN HEAD	2	
14	6XF-48281-00-00	.SCREW 1	2	
15	98580-05525-00	.SCREW, PAN HEAD	2	
16	6X0-48261-00-00	.ARM, THROTTLE	1	
17	EL8-48191-00-00	.WASHER 1	1	
18	97395-06018-00	.BOLT	3	
19	703-48345-01-00	.CABLE END, REMOTE CONTROL 2	2	
20	EL8-48271-00-00	.ARM, SHIFT	1	
21	EL8-48127-00-00	.SCREW 1	11	
22	703-48358-00-00	.ANCHOR, CABLE	1	
23	EL8-48231-00-00	.HOUSING, GEAR	1	
24	EL8-48241-00-00	.ARM, DRIVE	1	
25	EL8-48254-00-00	.STOPPER, THROTTLE ADJUSTING	1	
26	98702-06020-00	.SCREW, FLAT HEAD	2	
27	EL8-48158-00-00	.SPRING 1	1	
28	98580-04006-00	.SCREW, PAN HEAD	1	
29	EL8-48244-00-00	.SPRING, FREE ACCEL	1	
30	EL8-48245-00-00	.PLATE, LOCK	1	
31	704-48178-00-00	.PLATE, SHIFT	1	
32	701-48248-00-00	.ROLLER, FREE ACCEL	1	
33	704-48238-00-00	.SPRING, DETENT	5	
34	6X0-48121-00-00	.GEAR 1	1	
35	EL8-48164-00-00	.PIN 2	1	
36	EL8-48242-10-00	.SHAFT, DRIVE	1	
37	702-48263-00-00	.BUSHING	1	
38	EL8-48279-00-00	.CIRCLIP 2	1	
39	704-48193-00-00	.WASHER 3	1	
40	EL8-48234-00-00	.BUSHING 1	1	
41	703-48192-00-00	.WASHER 2	1	
42	EL8-48233-00-00	.GEAR 2	1	
43	703-48235-00-00	.BUSHING	1	
44	6X0-48153-00-00	.SHAFT, FREE ACCEL	1	
45	6X0-48222-00-00	.GRIP, CONTROL LEVER	1	
46	703-48227-00-00	.SPRING, NEUTRAL LOCK	1	
47	98580-05008-00	.SCREW, PAN HEAD	1	
48	98580-04010-00	.SCREW, PAN HEAD	1	
49	6XE-82563-00-00	.TRIM & TILT SWITCH ASSY	1	
50	6X0-48288-00-00	.WASHER, PLAIN	1	

51	6X0-48127-00-00	.SCREW 1	1	
52	6X0-48223-00-00	.LOCK, NEUTRAL	1	
53	6X0-48221-00-00	.LEVER, CONTROL	1	
54	6X0-48245-00-00	.PLATE, LOCK	1	
55	704-48225-00-00	.COVER	1	
56	6X0-48155-00-00	.PLUNGER	1	
57	92990-05300-00	.WASHER, INTERNAL TOOTH	6	
58	6X0-48281-00-00	.SCREW	4	
59	6X0-48193-00-00	.WASHER 3	1	
60	97890-06035-00	.SCREW, PAN HEAD	3	
61	6X0-48128-00-00	.SCREW(M6X30)	3	
62	6X0-48156-00-00	.NUT 1	3	
63	701-48287-00-00	.WASHER	3	
64	6X0-48129-00-00	.SCEW 3	4	
65	6XF-48215-00-00	.GRAPHIC	1	
66	6E0-44191-11-00	.INDICATOR, SHIFT	1	
67	6XF-82541-00-00	.WIRE, LEAD	1	
68	6X0-48116-00-00	.BUSHING	1	

Part Notes

L4_DR 1990 / REMOTE CONTROL COMPONENT PARTS 1

PART NUMBER		NOTE TEXT
92990-10600-00		OEM: This part number is among the Top 100 Most Popular Marine Maintenance Parts as of February 2013.



Part List


L4_DR 1990 / REMOTE CONTROL COMPONENT PARTS 2

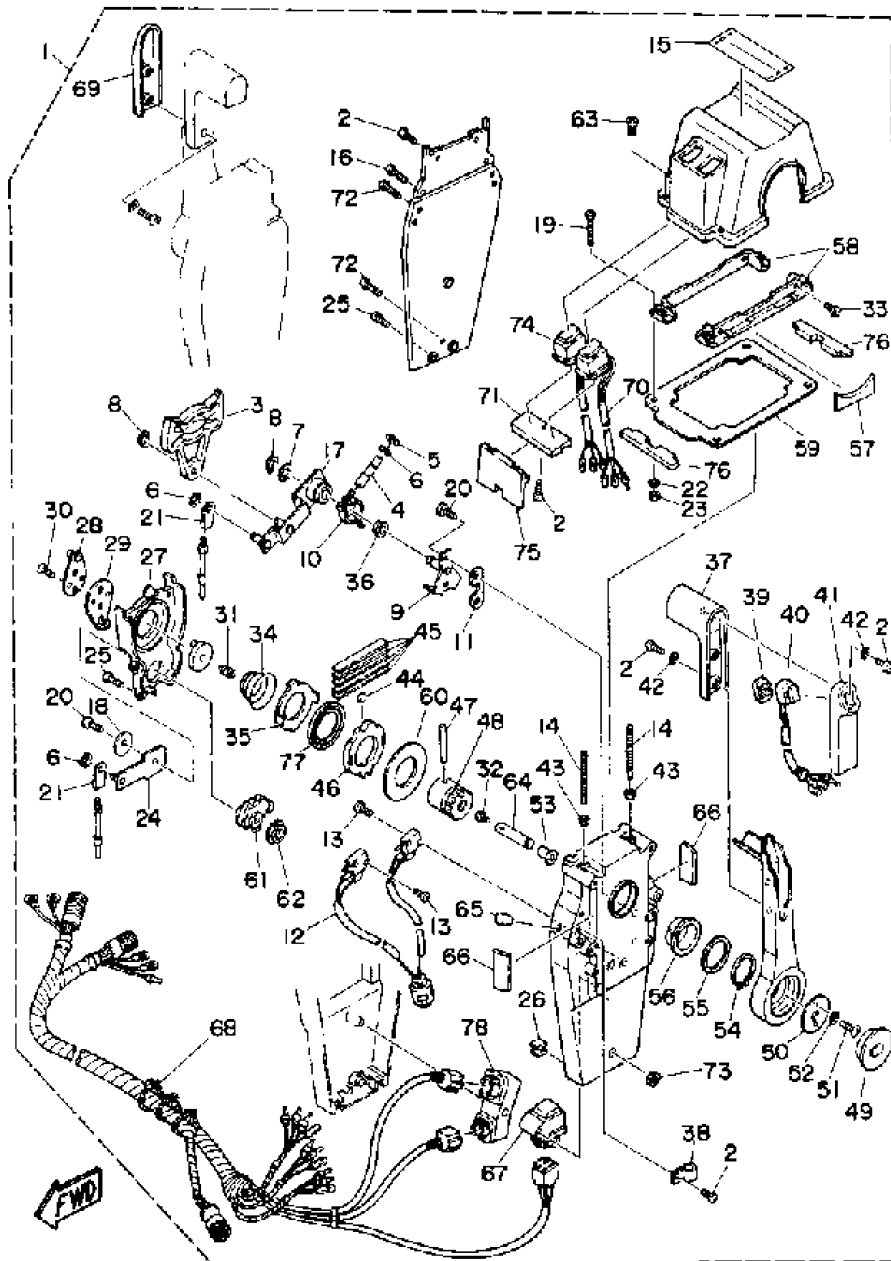
REF - NO	PART NUMBER	PART NAME	QUANTITY	REMARKS
1	6XE-48250-10-00	REMOTE CONTROL ASSY	1	SINGLE FOR TOP MOUNT TYPE
2	98580-05016-00	.SCREW, PAN HEAD	6	
3	6XE-48251-00-00	.PLATE, CAM	1	
4	704-48265-00-00	.SHAFT, FRICTION	1	
5	701-48246-00-00	.SPACER	1	
6	93430-06024-00	.CIRCLIP	3	
7	92990-10600-00	.WASHER, PLATE	1	
8	EL8-48259-00-00	.CIRCLIP 1	2	
9	704-48262-00-00	.SHAFT, THROTTLE	1	
10	704-48264-00-00	.THROTTLE, FRICTION	1	
11	704-48266-00-00	.SPACER	1	
12	6XE-82540-00-00	.NEUTRAL SWITCH ASSEMBLY	1	
13	6A5-48129-10-00	.SCREW 3	2	
14	6XE-48281-00-00	.SCREW	2	
15	6XE-48215-00-00	.GRAPHIC	1	
16	98580-05525-00	.SCREW, PAN HEAD	2	
17	704-48261-00-00	.ARM, THROTTLE	1	
18	EL8-48191-00-00	.WASHER 1	1	
19	98580-05540-00	.SCREW, PAN HEAD	4	
20	97080-06018-00	.BOLT	3	
21	703-48345-01-00	.CABLE END, REMOTE CONTROL 2	2	
22	704-48287-00-00	.WASHER	4	
23	95380-05600-00	.NUT	4	
24	EL8-48271-00-00	.ARM, SHIFT	1	
25	EL8-48127-00-00	.SCREW 1	9	
26	703-48358-00-00	.ANCHOR, CABLE	1	
27	EL8-48231-00-00	.HOUSING, GEAR	1	
28	EL8-48241-00-00	.ARM, DRIVE	1	
29	EL8-48254-00-00	.STOPPER, THROTTLE ADJUSTING	1	
30	98702-06020-00	.SCREW, FLAT HEAD	2	
31	EL8-48158-00-00	.SPRING 1	1	
32	98580-04006-00	.SCREW, PAN HEAD	1	
33	98780-05018-00	.SCREW, FLAT HEAD	4	
34	EL8-48244-00-00	.SPRING, FREE ACCEL	1	
35	EL8-48245-00-00	.PLATE, LOCK	1	
36	703-48263-00-00	.BUSHING	1	
37	704-48222-00-00	.GRIP, CONTROL LEVER	1	
38	704-82594-00-00	.CLAMP	1	
39	6XE-48228-00-00	.HOLDER, SWITCH	1	
40	6XE-82563-00-00	.TRIM & TILT SWITCH ASSY	1	
41	704-48229-00-00	.GRIP, CONTROL LEVER	1	
42	92990-05300-00	.WASHER, INTERNAL TOOTH	3	
43	95380-06600-00	.NUT, HEXAGON	2	
44	701-48248-00-00	.ROLLER, FREE ACCEL	1	
45	703-48238-00-00	.SPRING, DETENT	5	
46	EL8-48232-00-00	.GEAR 1	1	
47	EL8-48164-00-00	.PIN 2	1	
48	6XE-48242-00-00	.SHAFT, DRIVE	1	
49	704-48225-00-00	.COVER	1	
50	704-48192-00-00	.WASHER 2	1	

51	97890-06018-00	.SCREW, PAN HEAD	2	
52	92990-06300-00	.WASHER, INTERNAL TOOTH	2	
53	702-48263-00-00	.BUSHING	1	
54	EL8-48279-00-00	.CIRCLIP 2	1	
55	704-48193-00-00	.WASHER 3	1	
56	EL8-48234-00-00	.BUSHING 1	1	
57	704-48219-00-00	.COVER, LEAD	1	
58	704-48144-00-00	.PLATE, STOPPER 2	2	
59	704-48176-00-00	.GROMMET	1	
60	703-48192-00-00	.WASHER 2	1	
61	EL8-48233-00-00	.GEAR 2	1	
62	703-48235-00-00	.BUSHING	1	
63	704-48282-00-00	.SCREW	4	
64	EL8-48153-10-00	.SHAFT, FREE ACCEL	1	
65	704-48166-00-00	.PLUG	1	
66	704-48284-00-00	.GROMMET	2	
67	6XE-82541-00-00	.WIRE, LEAD	1	

Part Notes

L4_DR 1990 / REMOTE CONTROL COMPONENT PARTS 2

PART NUMBER		NOTE TEXT
92990-10600-00		OEM: This part number is among the Top 100 Most Popular Marine Maintenance Parts as of February 2013.



Part List


L4_DR 1990 / REMOTE CONTROL COMPONENT PARTS 3

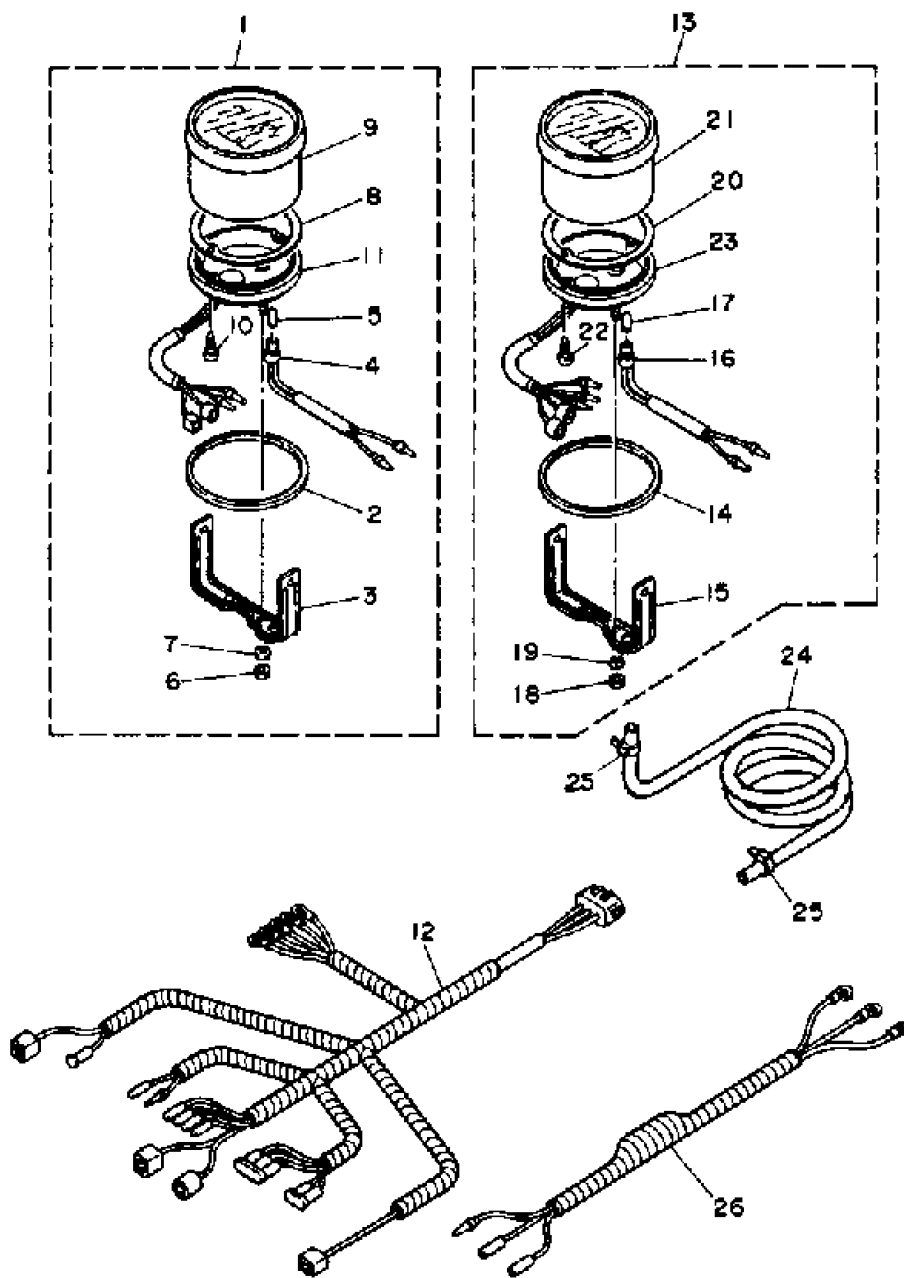
REF - NO	PART NUMBER	PART NAME	QUANTITY	REMARKS
1	6XE-48280-10-00	REMOTE CONTROL ASSY	1	TWIN FOR TOP MOUNT TYPE
2	98580-05016-00	.SCREW, PAN HEAD	12	
3	6XE-48251-00-00	.PLATE, CAM	2	
4	704-48265-00-00	.SHAFT, FRICTION	2	
5	701-48246-00-00	.SPACER	2	
6	93430-06024-00	.CIRCLIP	6	
7	92990-10600-00	.WASHER, PLATE	2	
8	EL8-48259-00-00	.CIRCLIP 1	4	
9	704-48262-00-00	.SHAFT, THROTTLE	2	
10	704-48264-00-00	.THROTTLE, FRICTION	2	
11	704-48266-00-00	.SPACER	2	
12	6XE-82540-10-00	.NEUTRAL SWITCH ASSY	1	
13	6A5-48129-10-00	.SCREW 3	4	
14	6XE-48281-00-00	.SCREW	4	
15	6XE-48215-10-00	.GRAPHIC	1	
16	98580-05525-00	.SCREW, PAN HEAD	4	
17	704-48261-00-00	.ARM, THROTTLE	2	
18	EL8-48191-00-00	.WASHER 1	2	
19	98580-05540-00	.SCREW, PAN HEAD	4	
20	97395-06018-00	.BOLT	6	
21	703-48345-01-00	.CABLE END, REMOTE CONTROL 2	4	
22	704-48287-00-00	.WASHER	4	
23	95380-05600-00	.NUT	4	
24	EL8-48271-00-00	.ARM, SHIFT	2	
25	EL8-48127-00-00	.SCREW 1	16	
26	703-48358-00-00	.ANCHOR, CABLE	2	
27	EL8-48231-00-00	.HOUSING, GEAR	2	
28	EL8-48241-00-00	.ARM, DRIVE	2	
29	EL8-48254-00-00	.STOPPER, THROTTLE ADJUSTING	2	
30	98702-06020-00	.SCREW, FLAT HEAD	4	
31	EL8-48158-00-00	.SPRING 1	2	
32	98580-04006-00	.SCREW, PAN HEAD	2	
33	98780-05018-00	.SCREW, FLAT HEAD	4	
34	EL8-48244-00-00	.SPRING, FREE ACCEL	2	
35	EL8-48245-00-00	.PLATE, LOCK	2	
36	703-48263-00-00	.BUSHING	2	
37	704-48222-00-00	.GRIP, CONTROL LEVER	2	
38	704-82594-00-00	.CLAMP	2	
39	6XE-48228-00-00	.HOLDER, SWITCH	1	
40	6XE-82563-10-00	.TRIM & TILT SWITCH	1	
41	704-48229-00-00	.GRIP, CONTROL LEVER	1	
42	92990-05300-00	.WASHER, INTERNAL TOOTH	6	
43	95380-06600-00	.NUT, HEXAGON	4	
44	701-48248-00-00	.ROLLER, FREE ACCEL	2	
45	703-48238-00-00	.SPRING, DETENT	10	
46	EL8-48232-00-00	.GEAR 1	2	
47	EL8-48164-00-00	.PIN 2	2	
48	6XE-48242-00-00	.SHAFT, DRIVE	2	
49	704-48225-00-00	.COVER	2	
50	704-48192-00-00	.WASHER 2	2	
51	97890-06018-00	.SCREW, PAN HEAD	4	

52	92990-06300-00	.WASHER, INTERNAL TOOTH	4	
53	702-48263-00-00	.BUSHING	2	
54	EL8-48279-00-00	.CIRCLIP 2	2	
55	704-48193-00-00	.WASHER 3	2	
56	EL8-48234-00-00	.BUSHING 1	2	
57	704-48219-00-00	.COVER, LEAD	2	
58	704-48144-00-00	.PLATE, STOPPER 2	2	
59	704-48176-00-00	.GROMMET	1	
60	703-48192-00-00	.WASHER 2	2	
61	EL8-48233-00-00	.GEAR 2	2	
62	703-48235-00-00	.BUSHING	2	
63	704-48282-00-00	.SCREW	4	
64	EL8-48153-10-00	.SHAFT, FREE ACCEL	2	
65	704-48166-00-00	.PLUG	2	
66	704-48284-00-00	.GROMMET	4	
67	6XE-81950-00-00	.RELAY ASSEMBLY	1	
68	6XE-82590-00-00	.WIRE HARNESS ASSEMBLY	1	
69	704-48229-10-00	.GRIP, CONTROL LEVER	1	
70	6XE-82563-10-00	.TRIM & TILT SWITCH	1	
71	704-48228-10-00	.HOLDER, SWITCH	1	
72	704-48128-00-00	.SCREW 2	3	
73	704-48156-00-00	.NUT 1	1	
74	6XE-82563-20-00	.TRIM & TILT SWITCH ASSY	1	
75	704-48285-00-00	.GROMMET 2	1	
76	704-48286-00-00	.GROMMET 3	2	
77	704-48178-00-00	.PLATE, SHIFT	2	
78	704-81950-00-00	.RELAY ASSY	1	

Part Notes

L4_DR 1990 / REMOTE CONTROL COMPONENT PARTS 3

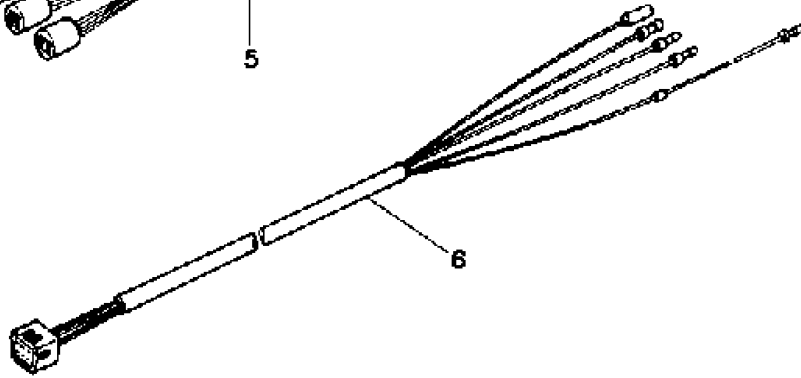
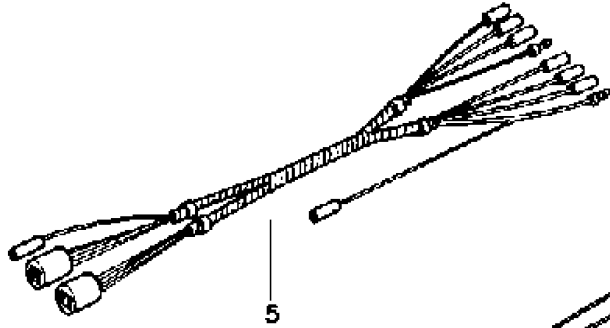
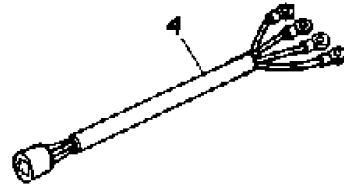
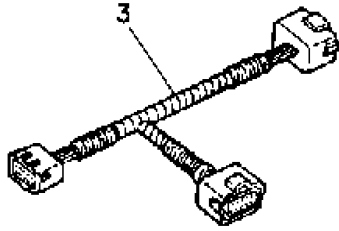
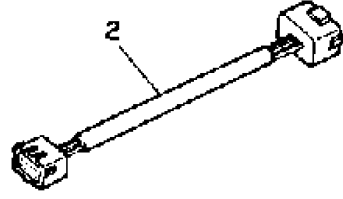
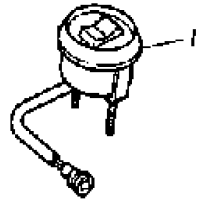
PART NUMBER		NOTE TEXT
92990-10600-00		OEM: This part number is among the Top 100 Most Popular Marine Maintenance Parts as of February 2013.



Part List

L4_DR 1990 / OPTIONAL PARTS GAUGES & COMPONENT PARTS

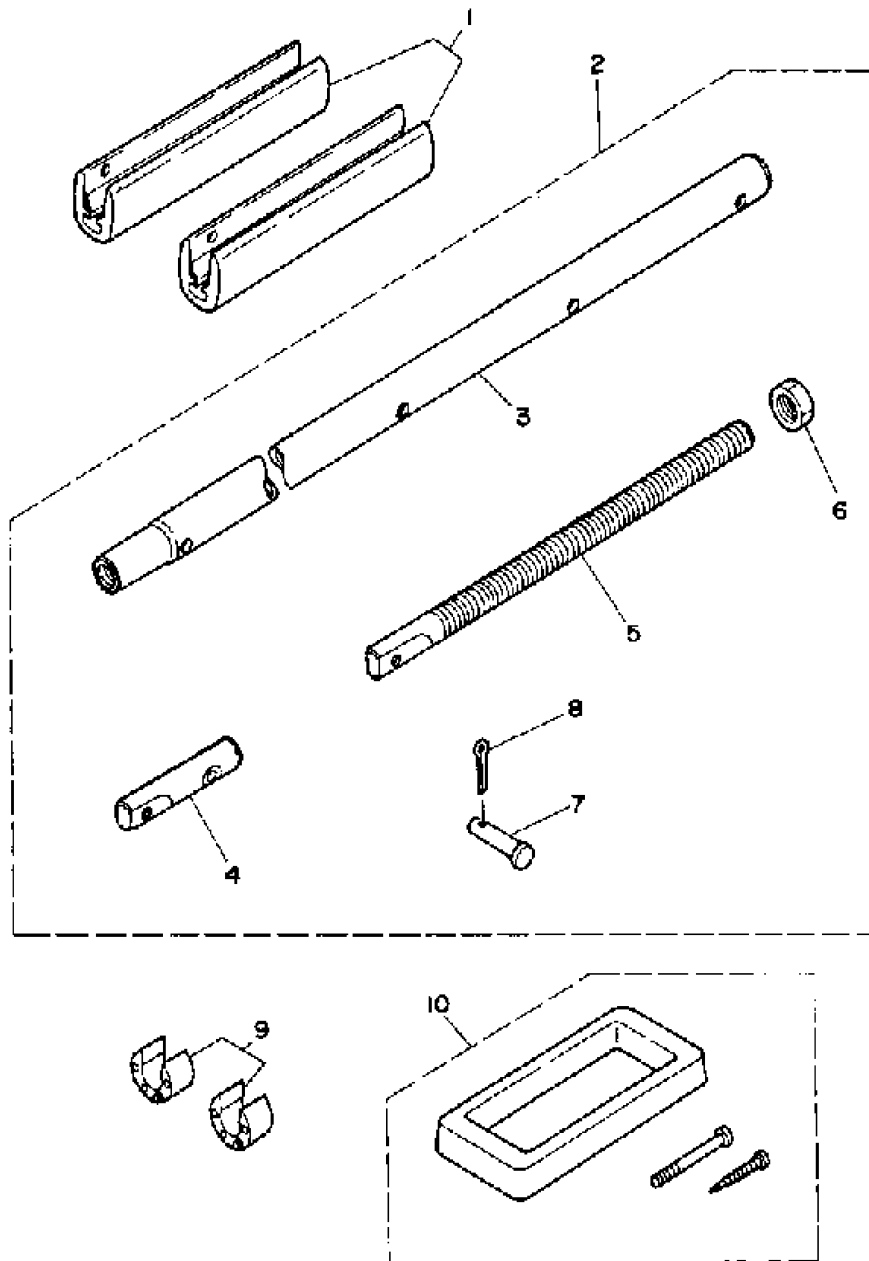
REF - NO	PART NUMBER	PART NAME	QUANTITY	REMARKS
1	6YE-83500-00-00	TACHOMETER ASSY	1	
2	6Y5-8353J-00-00	.GASKET, UPPER	1	
3	6Y5-8355X-00-00	.BRACKET, METER 1	1	
4	6Y5-83586-00-00	.SOCKET ASSY	1	
5	10L-83517-00-00	.BULB (12V 2W)	1	
6	95301-04600-00	.NUT	2	
7	92901-04100-00	.WASHER, SPRING	2	
8	6Y5-83589-00-00	.GASKET	1	
9	6YE-8350A-00-00	.METER ASSEMBLY	1	
10	90164-03016-00	.SCREW, TAPPING	2	
11	6YE-8357J-00-00	.DISPLAY UNIT	1	
12	6YE-82580-00-00	WIRE HARNESS ASSEMBLY 2	1	
13	6Y5-83500-M0-00	SPEEDOMETER ASSEMBLY	1	
14	6Y5-8353J-00-00	.GASKET, UPPER	1	
15	6Y5-8355X-M0-00	.BRACKET METER 1	1	
16	6Y5-83586-00-00	.SOCKET ASSY	1	
17	10L-83517-00-00	.BULB (12V 2W)	1	
18	95301-04600-00	.NUT	2	
19	92901-04100-00	.WASHER, SPRING	2	
20	6Y5-83589-00-00	.GASKET	1	
21	6Y5-8350A-M0-00	.METER ASSEMBLY	1	
22	90164-03016-00	.SCREW, TAPPING	2	
23	6Y5-8357J-M0-00	.DISPLAY UNIT	1	
24	6Y5-83557-00-00	TUBE (6M)	1	
25	90465-11M10-00	CLAMP	2	
26	6YE-81949-00-00	WIRE, LEAD	1	



Part List

L4_DR 1990 / OPTIONAL PARTS RIGGING ACCESSORIES

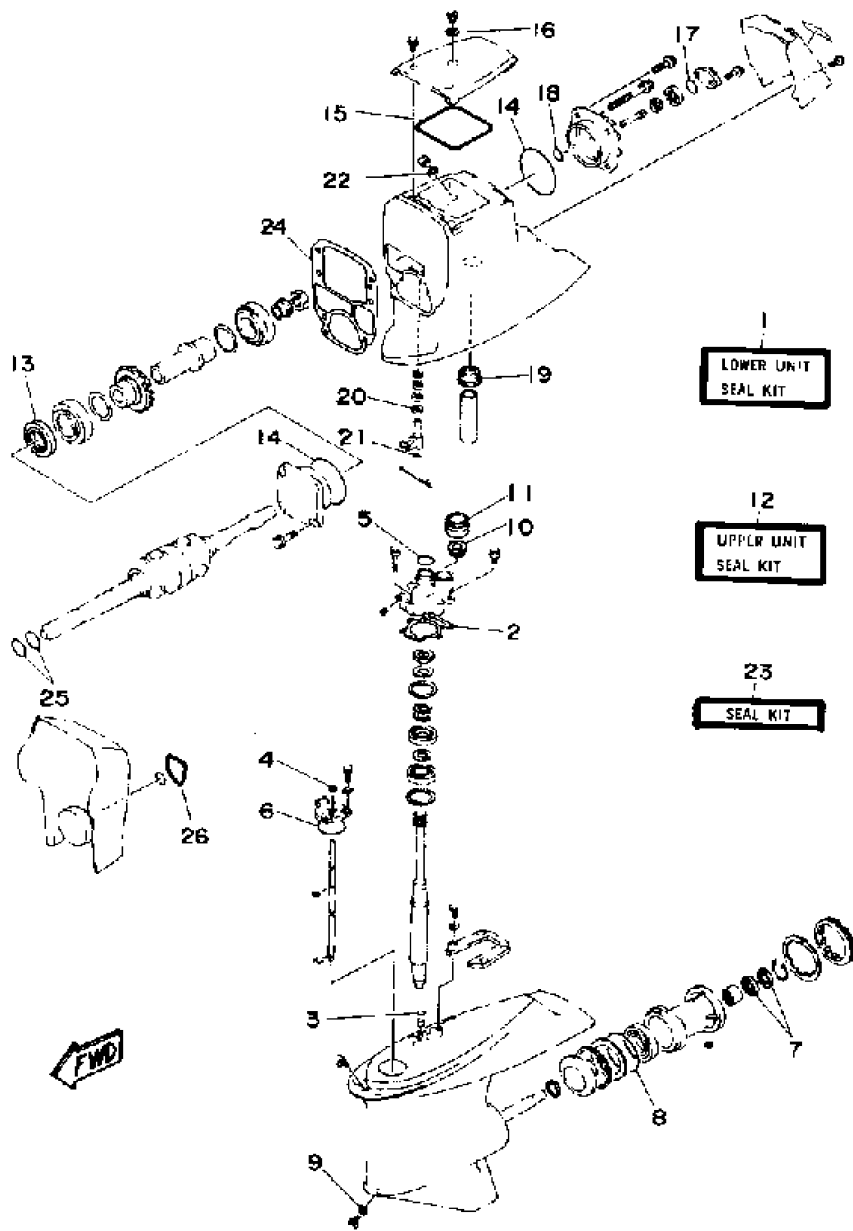
REF - NO	PART NUMBER	PART NAME	QUANTITY	REMARKS
1	6YE-82563-00-AA	TRIM & TILT SWITCH (6YE-82563-00-00)	1	FOR OTHER BRAND REMO-CON (YEMS
2	6YE-8258A-00-AA	EXT, WIRE HRNS 12F (6YE-8258A-00-00)	1	UR L:12F
2	6YE-8258A-10-AA	EXT, WIRE HRNS 15F (6YE-8258A-10-00)	1	UR L:15F
2	6YE-8258A-20-AA	EXT, WIRE HRNS 20F (6YE-8258A-20-00)	1	UR L:20F
2	6YE-8258A-30-AA	EXT, WIRE HRNS 30F (6YE-8258A-30-00)	1	UR L:30F
2	6YE-8258A-40-AA	EXT, WIRE HRNS 25F (6YE-8258A-40-00)	1	UR L:25F
3	6YE-8258A-A0-AA	EXT, WIRE HRNS (6YE-8258A-A0-00)	1	FOR DUAL STATION (YEMS MODEL)
4	6YE-82541-00-AA	WIRE LEAD (6YE-82541-00-00)	1	FOR OTHER BRAND REMO-CON
5	6YE-82586-10-AA	EXT, WIRE HARNESS (6YE-82586-00-00)	1	UR L:12FFOR PT/T SW
5	6YE-82586-10-AA	EXT, WIRE HARNESS (6YE-82586-00-00)	1	UR L:15FFOR PT/T SW
5	6YE-82586-20-AA	EXT, WIRE HARNESS (6YE-82586-20-00)	1	UR L:20FFOR PT/T SW
5	6YE-82586-30-AA	EXT, WIRE HARNESS (6YE-82586-30-00)	1	UR L:25FFOR PT/T SW
5	6YE-82586-40-AA	EXT, WIRE HARNESS (6YE-82586-40-00)	1	UR L:30FFOR PT/T SW
6	6YE-82521-00-AA	WIRE, LEAD (6YE-82521-00-00)	1	



Part List

L4_DR 1990 / OPTIONAL PARTS TWIN KIT COMPONENT PARTS

REF - NO	PART NUMBER	PART NAME	QUANTITY	REMARKS
1	6T4-W4584-00-AA	TRAILER LOCK SET (6T4-W4584-00-00)	1	
2	6T4-61301-00-AA	TWIN KIT (6T4-61301-00-00)	1	
3	6T4-61313-00-00	.ADJUSTER	1	
4	6T4-61311-00-00	.TIE BAR	1	
5	6T4-61315-00-00	.TIE BAR	1	
6	95313-18700-00	.NUT	1	
7	90240-09M13-00	.PIN, CLEVIS	1	
8	91490-25020-00	.PIN COTTER	1	
9	6T4-W4389-00-00	TILT CYLINDER SPACER	1	
10	704-48293-00-00	SPACER, REMOTE CONTROL	1	UR TOP MOUNT SINGLE
10	704-48293-10-00	SPACER, REMOTE CONTROL	1	UR TOP MOUNT TWIN






Part List

L4_DR 1990 / REPAIR KIT

REF - NO	PART NUMBER	PART NAME	QUANTITY	REMARKS
1	6T5-W0001-20-00	LOWER UNIT SEAL KIT	1	
2	6T5-45325-00-00	.GASKET, LOWER CASING	1	
3	93210-11M96-00	.O-RING	1	
4	93106-09014-00	.OIL SEAL	1	
5	93210-32M90-00	.O-RING	1	
6	93210-58677-00	.O-RING	1	
7	93102-30M29-00	.OIL SEAL	2	
8	93210-97M55-00	.O-RING	1	
9	90430-08020-00	.GASKET	1	
10	6T5-44366-00-00	.DAMPER, WATER SEAL	1	
11	6T5-45376-00-00	.GUIDE, SEAL DAMPER	1	
12	6T5-W0001-30-00	UPPER UNIT SEAL KIT	1	
13	93102-45M31-00	.OIL SEAL	1	
14	93210-87M88-00	.O-RING	2	
15	6T5-45114-00-00	.GASKET, UPPER CASING	1	
16	90430-13M04-00	.GASKET	1	
17	93210-26662-00	.O-RING	1	
18	93210-11M96-00	.O-RING	1	
19	6T5-44366-00-00	.DAMPER, WATER SEAL	1	
20	93109-12M06-00	.OIL SEAL	1	
21	93210-07540-00	.O-RING	1	
22	90430-08020-00	.GASKET	1	
23	6T5-W0001-40-00	SEAL KIT	1	
24	6T5-45113-00-00	.GASKET, UPPER CASE	1	
25	93210-22M93-00	.O-RING	2	
26	6T4-44366-00-00	.DAMPER, WATER SEAL	1	

Part Notes

L4_DR 1990 / REPAIR KIT

PART NUMBER		NOTE TEXT
93106-09014-00		OEM: This part number is among the Top 100 Most Popular Marine Maintenance Parts as of February 2013.
90430-08020-00		OEM: This part number is among the Top 100 Most Popular Marine Maintenance Parts as of February 2013.
90430-08020-00		OEM: This part number is among the Top 100 Most Popular Marine Maintenance Parts as of February 2013.