

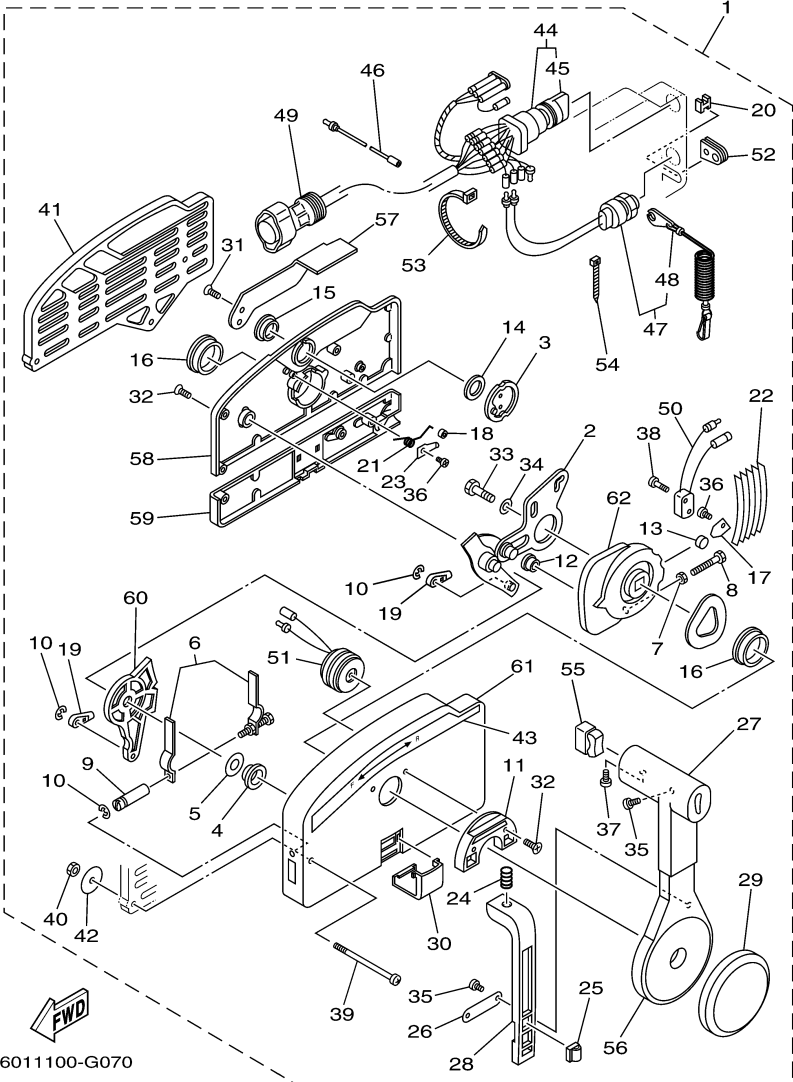
Control Box Application Chart

Full Model	Side 703-48207-17-10	Flush 6X3-48206-00-00 With 6X3-8257B-00-00 Key Key Switch or 6X0-48206-12-00 with 704-82570-08-00 Switch Panel	Top 704-48205-P0-00 or 704-82505-B0-00 both with 704-82570-08-00 Switch Panel)	Dual 704-48207-P0-00 (6K1-82570-08-00 Dual Switch Panel)	Side F9.9 Pull 703-48240-13-10
F2.5MSHD					
F4MSHD					
F4MLHD					
F6MSHD					
F6MLHD					
F8MSHD					
F8MLHD					
8MSHD					
T8ELHD					
T8EXHD					
T8PLHD					
T8PXHD					
T8PLRD	X	X	X		
T8PXR	X	X	X		
9.9MSHD					
F9.9MSHD					
F9.9MLHD					
F9.9ELRD					X
T9.9ELHD					
T9.9EXHD					
T9.9ELRD					X
F9.9MSH2D					
F9.9MLH2D					
F9.9ELR2D	X	X	X		
T9.9ELH2D					
T9.9EXH2D					
T9.9ELR2D	X	X	X		
15MSHD					
F15MSHD					
F15MLHD					
F15ESH					
F15ELHD					
F15PLHD					
F15PLRD	X	X	X		
25MSHD					
F25MSHD					
F25MLHD					
F25ESH					

Control Box Application Chart

Full Model	Side 703-48207-17-10	Flush 6X3-48206-00-00 With 6X3-8257B-00-00 Key Key Switch or 6X0-48206-12-00 with 704-82570-08-00 Switch Panel	Top 704-48205-P0-00 or 704-82505-B0-00 both with 704-82570-08-00 Switch Panel	Dual 704-48207-P0-00 (6K1-82570-08-00 Dual Switch Panel)	Side F9.9 Pull 703-48240-13-10
F25ESRD	X	X	X		
F25ELHD					
F25ELRD	X	X	X		
F25TLRD	X	X	X		
T25TLRD	X	X	X		
F30TLRD	X	X	X		
40TLRD	X	X	X		
F40MSHD					
F40MLHD					
F40TLRD	X	X	X		
F40MJHD					
F40EJRD	X	X	X		
50TLRD	X	X	X		
F50TLRD	X	X	X		
T50TLRD	X	X	X		
60TLRD	X	X	X		
F60TLRD	X	X	X		
T60TLRD	X	X	X		
F60TJRD	X	X	X		
70TLRD	X	X	X		
F75TLRD	X	X	X		
90TLRD	X	X	X		
F90TLRD	X	X	X		
F90TXRD	X	X	X		
F90TJRD	X	X	X		
115TLRD	X	X	X		
115TXRD	X	X	X		
F115TLRD	X	X	X		
F115TXRD	X	X	X		
LF115TXRD				X	
F115TJRD	X	X	X		
V150TLRD	X	X	X		
150TXRD	X	X	X		
DX150TLRD	X	X	X		
VZ150TLRD	X	X	X		
Z150TXRD	X	X	X		
LZ150TXRD				X	
F150TLRD	X	X	X		

703 REMOTE CONTROL (PULL TO OPEN TYPE)



6011100-G070

Part List


RIGGING 2005 2005 / CONTROL STANDARD SIDE 703 PULL

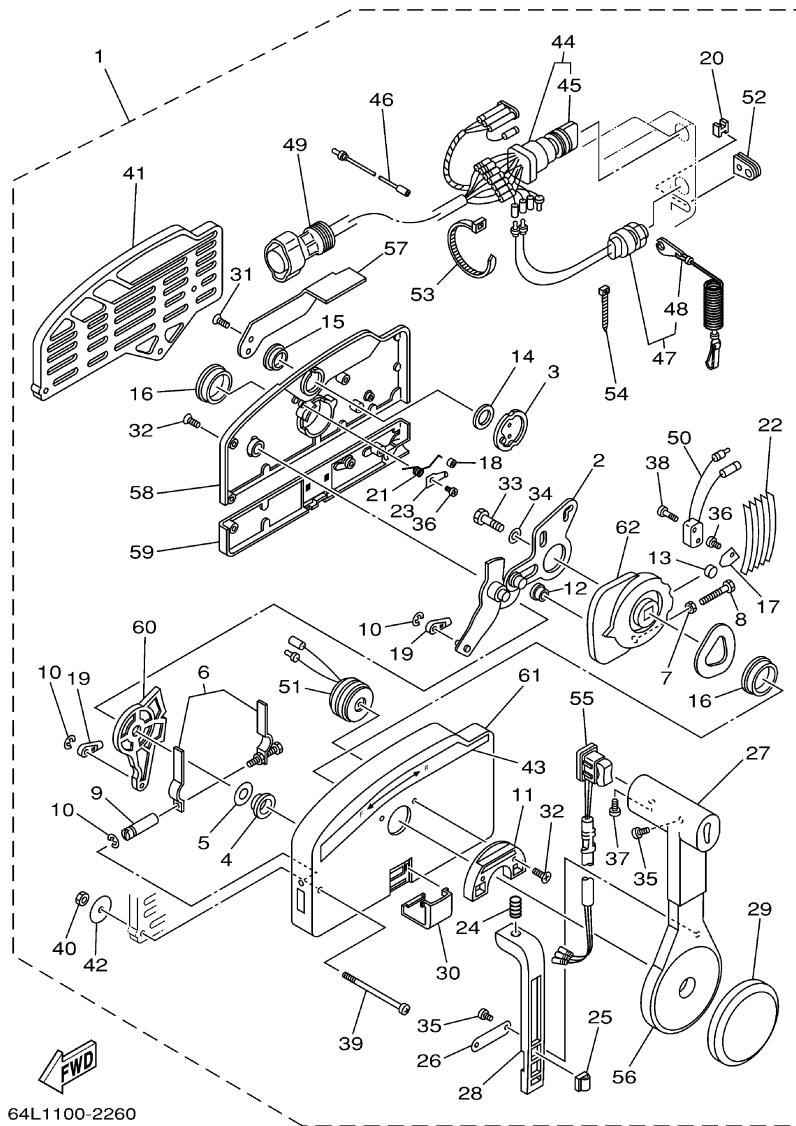
REF - NO	PART NUMBER	PART NAME	QUANTITY	REMARKS
1	703-48230-15-10	CONTROL 7P PULL CHOKE	1	
2	703-48261-11-00	.ARM, THROTTLE	1	
3	703-48153-00-00	.SHAFT, FREE ACCEL	1	
4	703-48235-00-00	.BUSHING	1	
5	703-48268-00-00	.SPACER	1	
6	703-48264-00-00	.FRICTION, THROTTLE	1	
7	95380-05600-00	.NUT	1	
8	97380-05025-00	.BOLT	1	
9	703-48265-00-00	.SHAFT, FRICTION	1	
10	93430-06024-00	.CIRCLIP	3	
11	703-48245-00-00	.PLATE, LOCK	1	
12	703-48252-00-00	.ROLLER, CAM	1	
13	701-48248-00-00	.ROLLER, FREE ACCEL	1	
14	703-48198-00-00	.WASHER, WAVE	1	
15	703-48243-00-00	.BUSHING	1	
16	703-48236-00-00	.BUSHING 1	2	
17	703-48189-00-00	.RETAINER	1	
18	703-48234-00-00	.ROLLER, DETENT	1	
19	703-48345-01-00	.CABLE END, REMOTE CONTROL 2	2	
20	703-48358-00-00	.ANCHOR, CABLE	1	
21	703-48244-00-00	.SPRING, FREE ACCEL	1	
22	703-48238-00-00	.SPRING, DETENT	5	
23	703-48246-00-00	.SPACER	1	
24	703-48227-00-00	.SPRING, NEUTRAL LOCK	1	
25	703-82594-00-00	.CLAMP	1	
26	703-48226-00-00	.PLATE, STOPPER	1	
27	703-48222-00-00	.GRIP, CONTROL LEVER	1	
28	703-48223-00-00	.LOCK, NEUTRAL	1	
29	703-48225-00-00	.COVER	1	
30	703-48219-00-00	.COVER, LEAD	1	
31	703-48281-00-00	.SCREW	2	
32	703-48282-00-00	.SCREW	7	
33	97380-08030-00	.BOLT	1	
34	92990-08600-00	.WASHER, PLATE	1	
35	98580-04010-00	.SCREW, PAN HEAD	3	
36	98580-04006-00	.SCREW, PAN HEAD	2	
37	98580-05010-00	.SCREW, PAN HEAD	1	
38	98580-03015-00	.SCREW, PAN HEAD	2	
39	703-48291-10-00	.SCREW (M6)	3	
40	95380-06600-00	.NUT, HEXAGON	3	
41	703-48293-10-00	.SPACER, REMOTE CONTROL	1	
42	701-48287-00-00	.WASHER	3	
43	703-48215-00-00	.GRAPHIC	1	
44	703-82510-33-00	.MAIN SWITCH ASSY	1	
45	703-82577-00-00	..CAP, KEY	1	
46	703-82531-00-00	.WIRE, LEAD (L70)	1	
47	688-82575-01-00	.ENGINE STOP SWITCH ASSY	1	
48	682-82556-00-00	..LANYARD, STOP SWITCH	1	
49	688-82586-21-00	.EXTENSION, WIRE HARNESS (49M)	1	
50	703-82540-00-00	.NEUTRAL SWITCH ASSY	1	
51	703-83383-02-00	.BUZZER	1	

52	703-48284-00-00	.GROMMET	1	
53	703-82591-00-00	.BAND	1	
54	703-82592-00-00	.BAND	1	
55	703-48224-00-00	.COVER, CONTROL LEVER	1	
56	703-48221-00-00	.LEVER, CONTROL	1	
57	703-48152-00-00	.KNOB, FREE ACCEL	1	
58	703-48212-00-00	.BACK PLATE 1	1	
59	703-48213-00-00	.BACK PLATE 2	1	
60	703-48271-00-00	.ARM, SHIFT	1	
61	703-48211-01-00	.HOUSING 1	1	
62	703-48232-00-00	.GEAR	1	

Part Notes

RIGGING 2005 2005 / CONTROL STANDARD SIDE 703 PULL

PART NUMBER		NOTE TEXT
682-82556-00-00		OEM: This part number is among the Top 100 Most Popular Marine Maintenance Parts as of February 2013.



64L1100-2260

Part List


RIGGING 2005 2005 / CONTROL STANDARD SIDE 703 PUSH

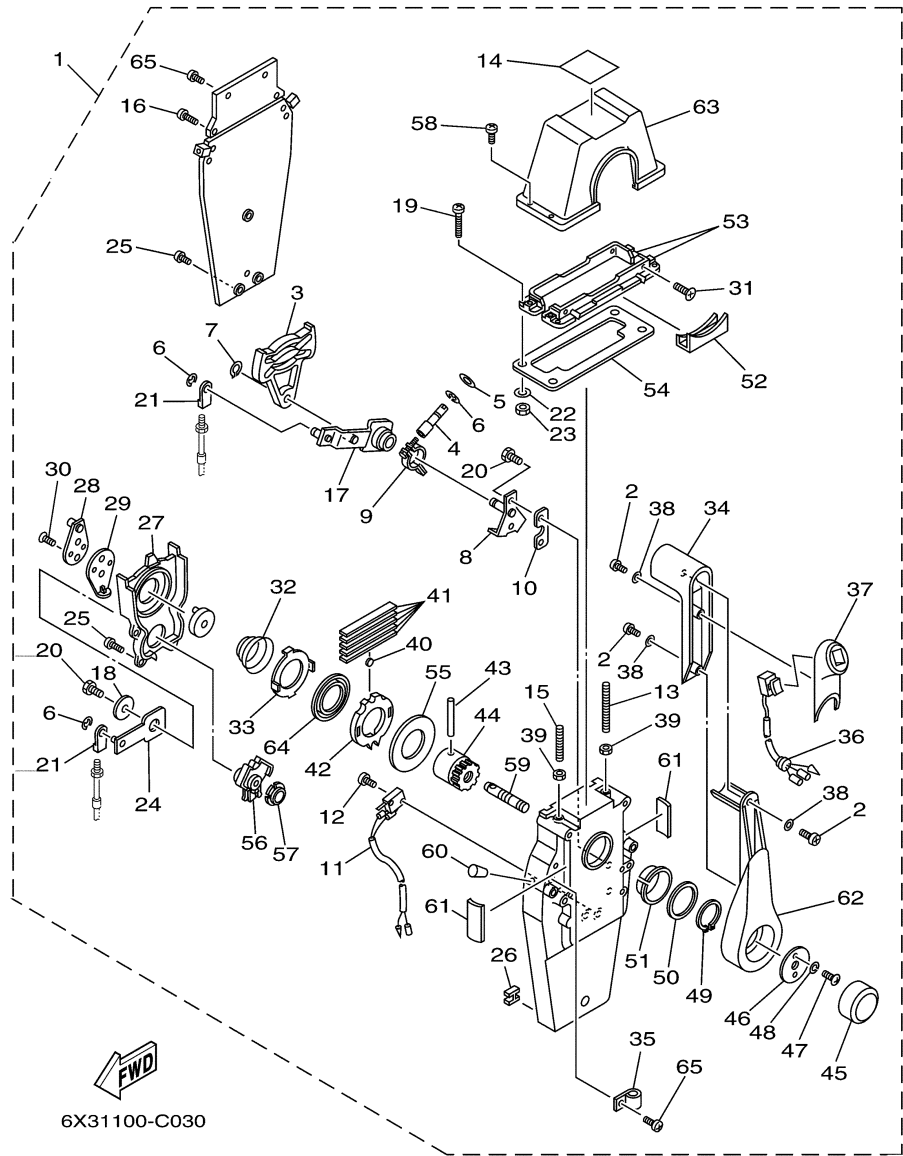
REF - NO	PART NUMBER	PART NAME	QUANTITY	REMARKS
1	703-48207-17-10	PUSH 10P KEY CHOKE	1	AP WITH PT/T SW
2	703-48261-01-00	.ARM, THROTTLE	1	
3	703-48153-00-00	.SHAFT, FREE ACCEL	1	
4	703-48235-00-00	.BUSHING	1	
5	703-48268-00-00	.SPACER	1	
6	703-48264-00-00	.FRICTION, THROTTLE	6	
7	95380-05600-00	.NUT	1	
8	97380-05025-00	.BOLT	1	
9	703-48265-00-00	.SHAFT, FRICTION	1	
10	93430-06024-00	.CIRCLIP	3	
11	703-48245-00-00	.PLATE, LOCK	1	
12	703-48252-00-00	.ROLLER, CAM	1	
13	701-48248-00-00	.ROLLER, FREE ACCEL	1	
14	703-48198-00-00	.WASHER, WAVE	1	
15	703-48243-00-00	.BUSHING	1	
16	703-48236-00-00	.BUSHING 1	2	
17	703-48189-00-00	.RETAINER	1	
18	703-48234-00-00	.ROLLER, DETENT	1	
19	703-48345-01-00	.CABLE END, REMOTE CONTROL 2	2	
20	703-48358-00-00	.ANCHOR, CABLE	1	
21	703-48244-00-00	.SPRING, FREE ACCEL	1	
22	703-48238-00-00	.SPRING, DETENT	5	
23	703-48246-00-00	.SPACER	1	
24	703-48227-00-00	.SPRING, NEUTRAL LOCK	1	
25	703-82594-00-00	.CLAMP	1	WITH PT/T SW.
26	703-48226-00-00	.PLATE, STOPPER	1	
27	703-48222-00-00	.GRIP, CONTROL LEVER	1	SINGLE
28	703-48223-00-00	.LOCK, NEUTRAL	1	
29	703-48225-00-00	.COVER	1	
30	703-48219-00-00	.COVER, LEAD	1	
31	703-48281-00-00	.SCREW	2	
32	703-48282-00-00	.SCREW	7	
33	97380-08030-00	.BOLT	1	
34	92990-08600-00	.WASHER, PLATE	1	
35	98580-04010-00	.SCREW, PAN HEAD	3	
36	98580-04006-00	.SCREW, PAN HEAD	2	
37	98580-05010-00	.SCREW, PAN HEAD	1	
38	98580-03015-00	.SCREW, PAN HEAD	2	
39	703-48291-10-00	.SCREW (M6)	3	
40	95380-06600-00	.NUT, HEXAGON	3	
41	703-48293-10-00	.SPACER, REMOTE CONTROL	1	SINGLE
42	701-48287-00-00	.WASHER	3	
43	703-48215-00-00	.GRAPHIC	1	
44	703-82510-43-00	.MAIN SWITCH ASSY	1	
45	703-82577-00-00	..CAP, KEY	1	
46	703-82531-00-00	.WIRE, LEAD (L70)	1	
47	688-82575-01-00	.ENGINE STOP SWITCH ASSY	1	
48	682-82556-00-00	.LANYARD, STOP SWITCH	1	
49	688-8258A-20-00	.EXTENSION, WIRE HARNESS (49M)	1	L:5M (10P)
50	703-82540-00-00	.NEUTRAL SWITCH ASSY	1	
51	703-83383-02-00	.BUZZER	1	

52	703-48284-00-00	.GROMMET	1	
53	703-82591-00-00	.BAND	1	
54	703-82592-00-00	.BAND	1	
55	703-82563-12-00	..TRIM & TILT SWITCH ASSY	1	WITH PT/T SW.
56	703-48221-00-00	.LEVER, CONTROL	1	
57	703-48152-00-00	.KNOB, FREE ACCEL	1	
58	703-48212-00-00	.BACK PLATE 1	1	
59	703-48213-00-00	.BACK PLATE 2	1	
60	703-48271-00-00	.ARM, SHIFT	1	
61	703-48211-01-00	.HOUSING 1	1	
62	703-48232-00-00	.GEAR	1	

Part Notes

RIGGING 2005 2005 / CONTROL STANDARD SIDE 703 PUSH

PART NUMBER		NOTE TEXT
682-82556-00-00		OEM: This part number is among the Top 100 Most Popular Marine Maintenance Parts as of February 2013.



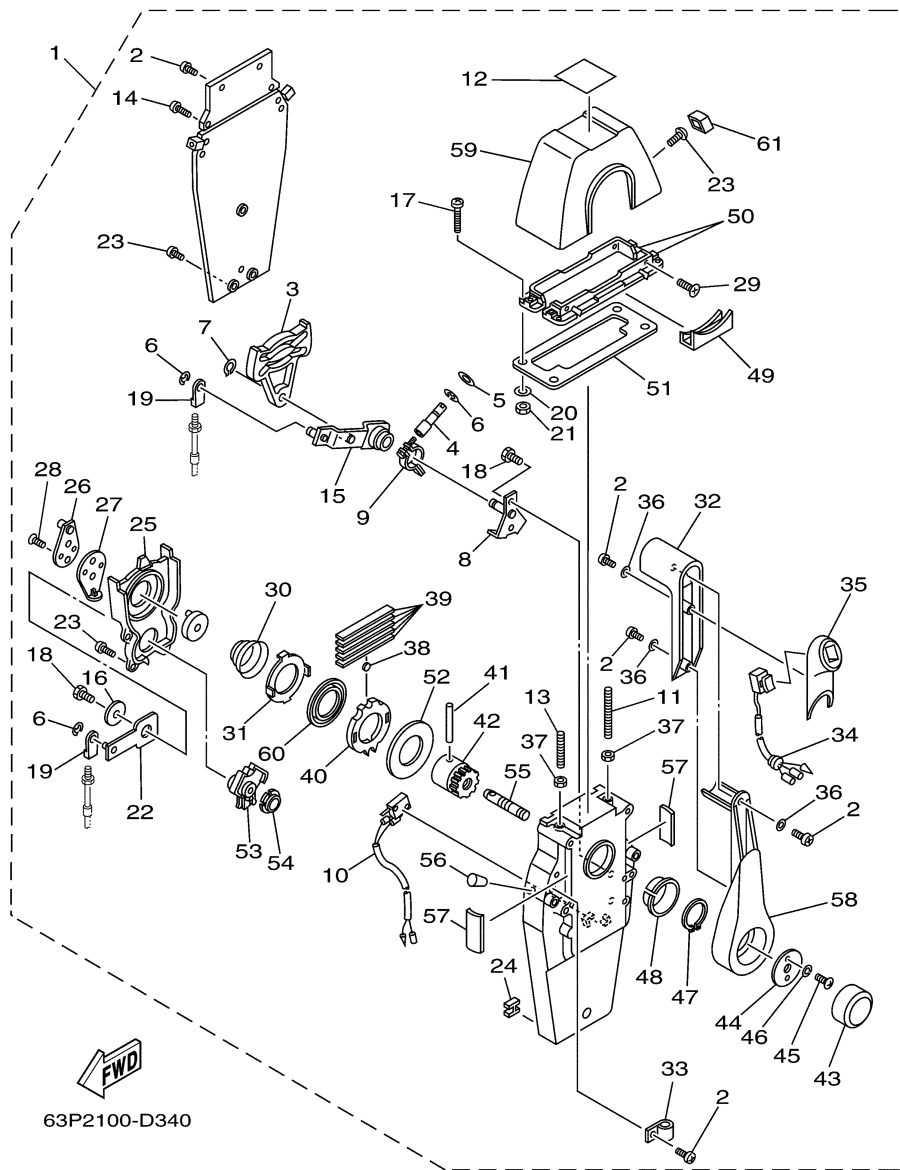
6X31100-C030

Part List

RIGGING 2005 2005 / CONTROL BINNACLE STANDARD SINGLE

REF - NO	PART NUMBER	PART NAME	QUANTITY	REMARKS
1	704-48205-B0-00	REMOTE CONTROL ASSY	1	
2	704-48128-00-00	.SCREW 2	3	
3	EL8-48251-00-00	.PLATE, CAM	1	
4	704-48265-00-00	.SHAFT, FRICTION	1	
5	701-48246-00-00	.SPACER	1	
6	93430-06024-00	.CIRCLIP	4	
7	EL8-48259-00-00	.CIRCLIP 1	1	
8	704-48262-00-00	.SHAFT, THROTTLE	1	
9	704-48264-00-00	.THROTTLE, FRICTION	1	
10	704-48266-00-00	.SPACER	1	
11	704-82540-20-00	.NEUTRAL SWITCH ASSY	1	
12	6A5-48129-10-00	.SCREW 3	2	
13	EL8-48281-00-00	.SCREW	1	
14	704-48215-00-00	.GRAPHIC	1	
15	704-48281-00-00	.SCREW	1	
16	97890-05025-00	.SCREW, PAN HEAD	2	
17	704-48261-00-00	.ARM, THROTTLE	1	
18	EL8-48191-00-00	.WASHER 1	1	
19	704-48283-00-00	.SCREW	4	
20	97380-06018-00	.BOLT	3	
21	703-48345-01-00	.CABLE END, REMOTE CONTROL 2	2	
22	704-48287-00-00	.WASHER	4	
23	95380-05600-00	.NUT	4	
24	EL8-48271-10-00	.ARM, SHIFT	1	
25	EL8-48127-00-00	.SCREW 1	9	
26	703-48358-00-00	.ANCHOR, CABLE	1	
27	EL8-48231-00-00	.HOUSING, GEAR	1	
28	EL8-48241-10-00	.ARM, DRIVE	1	
29	EL8-48254-10-00	.STOPPER, THROTTLE ADJUST	1	
30	92780-06020-00	.SCREW, FLAT HEAD	2	
31	98780-05018-00	.SCREW, FLAT HEAD	4	
32	EL8-48244-00-00	.SPRING, FREE ACCEL	1	
33	EL8-48245-00-00	.PLATE, LOCK	1	
34	704-48222-B0-00	.GRIP, CONTROL LEVER	1	
35	704-82594-00-00	.CLAMP	1	
36	704-82563-40-00	.TRIM & TILT SWITCH ASSY	1	
37	704-48229-B1-00	.GRIP, CONTROL LEVER	1	
38	92990-05300-00	.WASHER, INTERNAL TOOTH	3	
39	95380-06600-00	.NUT, HEXAGON	2	
40	701-48248-00-00	.ROLLER, FREE ACCEL	1	
41	704-48238-00-00	.SPRING, DETENT	5	
42	EL8-48232-00-00	.GEAR 1	1	
43	EL8-48164-00-00	.PIN 2	1	
44	704-48242-00-00	.SHAFT, DRIVE	1	
45	6X3-48225-20-00	.COVER	1	
46	704-48192-00-00	.WASHER 2	1	
47	97890-06018-00	.SCREW, PAN HEAD	2	
48	92990-06300-00	.WASHER, INTERNAL TOOTH	2	
49	EL8-48279-00-00	.CIRCLIP 2	1	
50	704-48193-00-00	.WASHER 3	1	
51	EL8-48234-00-00	.BUSHING 1	1	

52	704-48219-B0-00	.COVER, LEAD	1	
53	704-48144-00-00	.PLATE, STOPPER 2	2	
54	704-48176-00-00	.GROMMET	1	
55	703-48192-00-00	.WASHER 2	1	
56	EL8-48233-00-00	.GEAR 2	1	
57	702-48235-00-00	.BUSHING	1	
58	704-48282-00-00	.SCREW	4	
59	704-48153-00-00	.SHAFT, FREE ACCEL	1	
60	704-48166-00-00	.PLUG	1	
61	704-48284-00-00	.GROMMET	2	
62	704-48221-B0-00	.LEVER, CONTROL	1	
63	704-48119-B0-00	.COVER	1	
64	704-48178-10-00	.PLATE, SHIFT	1	
65	97890-05016-00	.SCREW, PAN HEAD	3	

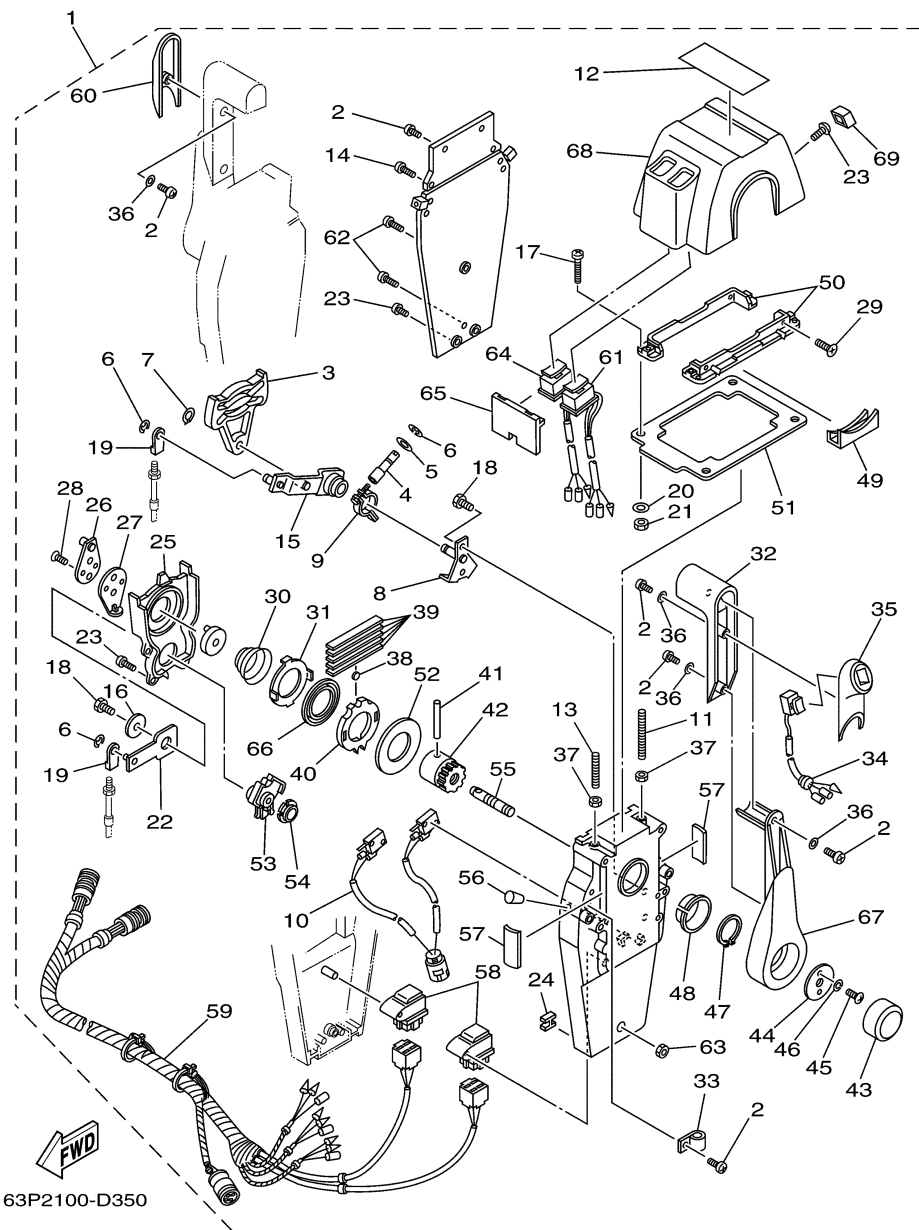


Part List

RIGGING 2005 2005 / CONTROL BINNACLE PREMIUM SINGLE

REF - NO	PART NUMBER	PART NAME	QUANTITY	REMARKS
1	704-48205-P0-00	REMOTE CONTROL ASSY	1	
2	704-48128-00-00	.SCREW 2	6	
3	EL8-48251-00-00	.PLATE, CAM	1	
4	704-48265-00-00	.SHAFT, FRICTION	1	
5	701-48246-00-00	.SPACER	1	
6	93430-06024-00	.CIRCLIP	4	
7	EL8-48259-00-00	.CIRCLIP 1	1	
8	704-48262-00-00	.SHAFT, THROTTLE	1	
9	704-48264-00-00	.THROTTLE, FRICTION	1	
10	704-82540-20-00	.NEUTRAL SWITCH ASSY	1	
11	EL8-48281-00-00	.SCREW	1	
12	704-48215-20-00	.GRAPHIC	1	
13	704-48281-00-00	.SCREW	1	
14	97890-05025-00	.SCREW, PAN HEAD	2	
15	704-48261-00-00	.ARM, THROTTLE	1	
16	EL8-48191-00-00	.WASHER 1	1	
17	704-48283-00-00	.SCREW	4	
18	97380-06018-00	.BOLT	3	
19	703-48345-01-00	.CABLE END, REMOTE CONTROL 2	2	
20	704-48287-00-00	.WASHER	4	
21	95380-05600-00	.NUT	4	
22	704-48271-00-00	.ARM, SHIFT	1	
23	EL8-48127-00-00	.SCREW 1	10	
24	703-48358-00-00	.ANCHOR, CABLE	1	
25	704-48231-00-00	.HOUSING, GEAR	1	
26	EL8-48241-00-00	.ARM, DRIVE	1	
27	EL8-48254-00-00	.STOPPER, THROTTLE ADJUSTING	1	
28	92780-06020-00	.SCREW, FLAT HEAD	2	
29	98780-05018-00	.SCREW, FLAT HEAD	4	
30	EL8-48244-00-00	.SPRING, FREE ACCEL	1	
31	EL8-48245-00-00	.PLATE, LOCK	1	
32	704-48222-P0-00	.GRIP, CONTROL LEVER	1	
33	704-82594-00-00	.CLAMP	1	
34	704-82563-40-00	.TRIM & TILT SWITCH ASSY	1	
35	704-48229-P0-00	.GRIP, CONTROL LEVER	1	
36	92990-05300-00	.WASHER, INTERNAL TOOTH	3	
37	95380-06600-00	.NUT, HEXAGON	2	
38	701-48248-00-00	.ROLLER, FREE ACCEL	1	
39	704-48238-00-00	.SPRING, DETENT	5	
40	704-48232-P0-00	.GEAR	1	
41	EL8-48164-00-00	.PIN 2	1	
42	704-48242-10-00	.SHAFT, DRIVE	1	
43	6X3-48225-20-00	.COVER	1	
44	704-48192-00-00	.WASHER 2	1	
45	97890-06019-00	.SCREW, PAN HEAD	2	
46	92990-06300-00	.WASHER, INTERNAL TOOTH	2	
47	EL8-48279-00-00	.CIRCLIP 2	1	
48	704-48234-00-00	.BUSHING 1	1	
49	704-48219-P0-00	.COVER, LEAD	1	
50	704-48144-10-00	.PLATE, STOPPER 2	2	
51	704-48176-00-00	.GROMMET	1	

52	704-48192-00-00	.WASHER 2	1	
53	704-48233-00-00	.GEAR 2	1	
54	702-48235-00-00	.BUSHING	1	
55	704-48153-00-00	.SHAFT, FREE ACCEL	1	
56	704-48166-00-00	.PLUG	1	
57	704-48284-P0-00	.GROMMET	2	
58	704-48221-P0-00	.LEVER, CONTROL	1	
59	704-48119-30-00	.COVER	1	
60	704-48178-10-00	.PLATE, SHIFT	1	
61	704-48167-00-00	.PLUG	1	

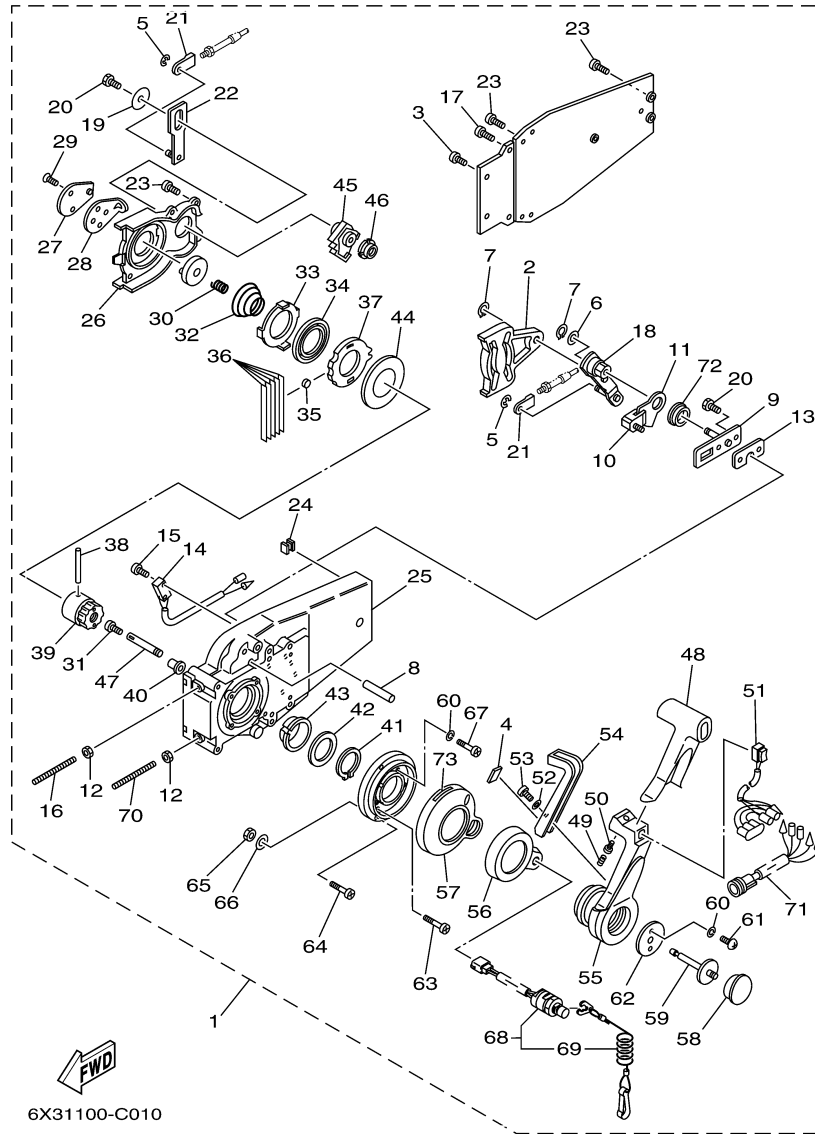


Part List

RIGGING 2005 2005 / CONTROL BINNACLE PREMIUM DUAL

REF - NO	PART NUMBER	PART NAME	QUANTITY	REMARKS
1	704-48207-P0-00	REMOTE CONTROL ASSY	1	
2	704-48128-00-00	.SCREW 2	12	
3	EL8-48251-00-00	.PLATE, CAM	2	
4	704-48265-00-00	.SHAFT, FRICTION	2	
5	701-48246-00-00	.SPACER	2	
6	93430-06024-00	.CIRCLIP	8	
7	EL8-48259-00-00	.CIRCLIP 1	2	
8	704-48262-00-00	.SHAFT, THROTTLE	2	
9	704-48264-00-00	.THROTTLE, FRICTION	2	
10	704-82540-30-00	.NEUTRAL SWITCH ASSY	1	
11	EL8-48281-00-00	.SCREW	2	
12	704-48215-30-00	.GRAPHIC	1	
13	704-48281-00-00	.SCREW	2	
14	97890-05025-00	.SCREW, PAN HEAD	4	
15	704-48261-00-00	.ARM, THROTTLE	2	
16	EL8-48191-00-00	.WASHER 1	2	
17	704-48283-00-00	.SCREW	4	
18	97380-06018-00	.BOLT	6	
19	703-48345-01-00	.CABLE END, REMOTE CONTROL 2	4	
20	704-48287-00-00	.WASHER	4	
21	95380-05600-00	.NUT	4	
22	704-48271-00-00	.ARM, SHIFT	2	
23	EL8-48127-00-00	.SCREW 1	18	
24	703-48358-00-00	.ANCHOR, CABLE	2	
25	704-48231-00-00	.HOUSING, GEAR	2	
26	EL8-48241-00-00	.ARM, DRIVE	2	
27	EL8-48254-00-00	.STOPPER, THROTTLE ADJUSTING	2	
28	92780-06020-00	.SCREW, FLAT HEAD	4	
29	98780-05018-00	.SCREW, FLAT HEAD	4	
30	EL8-48244-00-00	.SPRING, FREE ACCEL	2	
31	EL8-48245-00-00	.PLATE, LOCK	2	
32	704-48222-P0-00	.GRIP, CONTROL LEVER	2	
33	704-82594-00-00	.CLAMP	1	
34	704-82563-50-00	.TRIM & TILT SWITCH ASSY	1	
35	704-48229-P0-00	.GRIP, CONTROL LEVER	1	
36	92990-05300-00	.WASHER, INTERNAL TOOTH	6	
37	95380-06600-00	.NUT, HEXAGON	4	
38	701-48248-00-00	.ROLLER, FREE ACCEL	2	
39	704-48238-00-00	.SPRING, DETENT	10	
40	704-48232-P0-00	.GEAR	2	
41	EL8-48164-00-00	.PIN 2	2	
42	704-48242-10-00	.SHAFT, DRIVE	2	
43	6X3-48225-20-00	.COVER	2	
44	704-48192-00-00	.WASHER 2	2	
45	97890-06018-00	.SCREW, PAN HEAD	4	
46	92990-06300-00	.WASHER, INTERNAL TOOTH	4	
47	EL8-48279-00-00	.CIRCLIP 2	2	
48	704-48234-00-00	.BUSHING 1	2	
49	704-48219-P0-00	.COVER, LEAD	2	
50	704-48144-20-00	.PLATE, STOPPER 2	2	
51	704-48176-10-00	.GROMMET	1	

52	704-48192-00-00	.WASHER 2	2	
53	704-48233-00-00	.GEAR 2	2	
54	702-48235-00-00	.BUSHING	2	
55	704-48153-00-00	.SHAFT, FREE ACCEL	2	
56	704-48166-00-00	.PLUG	2	
57	704-48284-P0-00	.GROMMET	4	
58	704-81950-10-00	.RELAY ASSY	2	
59	704-82590-10-00	.WIRE HARNESS ASSY	1	
60	704-48229-00-00	.GRIP, CONTROL LEVER	1	
61	704-82563-H0-00	.TRIM & TILT SWITCH ASSY	1	
62	704-48128-00-00	.SCREW 2	3	
63	704-48156-00-00	.NUT 1	1	
64	704-82563-J0-00	.TRIM & TILT SWITCH ASSY	1	
65	704-48285-10-00	.GROMMET 2	1	
66	704-48178-10-00	.PLATE, SHIFT	2	
67	704-48221-P0-00	.LEVER, CONTROL	2	
68	704-48119-40-00	.COVER	1	
69	704-48167-10-00	.PLUG	1	



6X31100-C010

Part List

RIGGING 2005 2005 / CONTROL SIDE FLUSH PREMIUM

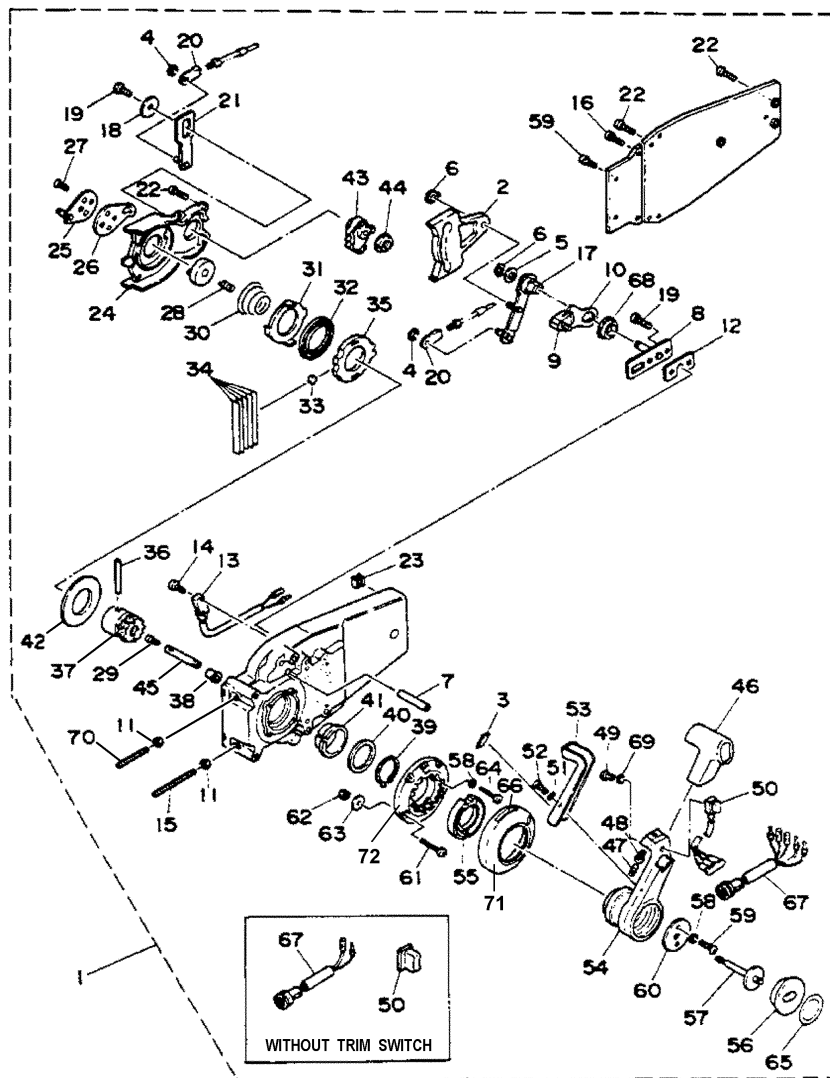
REF - NO	PART NUMBER	PART NAME	QUANTITY	REMARKS
1	6X3-48206-00-00	REMOTE CONTROL ASSY	1	AP WITH PTT/T SW.
2	EL8-48251-00-00	.PLATE, CAM	1	
3	97890-05016-00	.SCREW, PAN HEAD	2	
4	6X0-48138-00-00	.CAP, LOCK ARM	1	
5	93430-06024-00	.CIRCLIP	3	
6	92990-10600-00	.WASHER, PLATE	1	
7	EL8-48259-00-00	.CIRCLIP 1	2	
8	6X0-48265-00-00	.SHAFT, FRICTION	1	
9	6X0-48262-00-00	.SHAFT, THROTTLE	1	
10	6X0-48264-00-00	.THROTTLE, FRICTION	1	
11	6X0-48187-00-00	.PLATE, ADJUST	1	
12	95380-06600-00	.NUT, HEXAGON	2	
13	704-48266-00-00	.SPACER	1	
14	704-82540-00-00	.NEUTRAL SWITCH ASSY	1	
15	98580-03015-00	.SCREW, PAN HEAD	2	
16	EL8-48281-00-00	.SCREW	1	
17	97890-05025-00	.SCREW, PAN HEAD	2	
18	6X0-48261-00-00	.ARM, THROTTLE	1	
19	EL8-48191-00-00	.WASHER 1	1	
20	97380-06018-00	.BOLT	3	
21	703-48345-01-00	.CABLE END, REMOTE CONTROL 2	2	
22	EL8-48271-00-00	.ARM, SHIFT	1	
23	EL8-48127-00-00	.SCREW 1	11	
24	703-48358-00-00	.ANCHOR, CABLE	1	
25	6X0-48211-00-00	.HOUSING,1	1	
26	EL8-48231-00-00	.HOUSING, GEAR	1	
27	EL8-48241-00-00	.ARM, DRIVE	1	
28	EL8-48254-00-00	.STOPPER, THROTTLE ADJUSTING	1	
29	92780-06020-00	.SCREW, FLAT HEAD	2	
30	EL8-48158-00-00	.SPRING 1	1	
31	08580-04006-00	.SCREW, PAN HEAD	1	
32	EL8-48244-00-00	.SPRING, FREE ACCEL	1	
33	EL8-48245-00-00	.PLATE, LOCK	1	
34	704-48178-00-00	.PLATE, SHIFT	1	
35	701-48248-00-00	.ROLLER, FREE ACCEL	1	
36	704-48238-00-00	.SPRING, DETENT	5	
37	6X0-48121-00-00	.GEAR 1	1	
38	EL8-48164-00-00	.PIN 2	1	
39	EL8-48242-10-00	.SHAFT, DRIVE	1	
40	702-48263-00-00	.BUSHING	1	
41	EL8-48279-00-00	.CIRCLIP 2	1	
42	704-48193-00-00	.WASHER 3	1	
43	EL8-48234-00-00	.BUSHING 1	1	
44	703-48192-00-00	.WASHER 2	1	
45	EL8-48233-00-00	.GEAR 2	1	
46	702-48235-00-00	.BUSHING	1	
47	6X0-48153-00-00	.SHAFT, FREE ACCEL	1	
48	6X3-48222-00-00	.GRIP, CONTROL LEVER	1	
49	703-48227-00-00	.SPRING, NEUTRAL LOCK	1	
50	98580-05008-00	.SCREW, PAN HEAD	1	
51	6X3-82563-00-00	.TRIM & TILT SWITCH ASSY	1	

52	6X0-48288-00-00	.WASHER, PLAIN	1	
53	6X0-48127-00-00	.SCREW 1	1	
54	6X0-48223-00-00	.LOCK, NEUTRAL	1	
55	6X3-48221-00-00	.LEVER, CONTROL	1	
56	6X3-48225-10-00	.COVER	1	
57	6X3-48225-00-00	.COVER	1	
58	6X3-48225-20-00	.COVER	1	
59	6X0-48155-00-00	.PLUNGER	1	
60	92990-05300-00	.WASHER, INTERNAL TOOTH	6	
61	6X0-48281-00-00	.SCREW	2	
62	6X0-48193-00-00	.WASHER 3	1	
63	97890-06035-00	.SCREW, PAN HEAD	3	
64	6X0-48128-00-00	.SCREW(M6X30)	3	
65	6X0-48156-00-00	.NUT 1	3	
66	701-48287-00-00	.WASHER	3	
67	6X3-48129-00-00	.SCREW 3	4	
68	6X3-82575-00-00	.ENGINE STOP SWITCH ASSY	1	
69	682-82556-00-00	..LANYARD, STOP SWITCH	1	
70	704-48281-00-00	.SCREW	1	
71	704-82541-10-00	.WIRE, LEAD	1	
72	6X0-48116-00-00	.BUSHING	1	
73	6X3-44191-00-00	.INDICATOR, SHIFT	1	

Part Notes

RIGGING 2005 2005 / CONTROL SIDE FLUSH PREMIUM

PART NUMBER		NOTE TEXT
92990-10600-00		OEM: This part number is among the Top 100 Most Popular Marine Maintenance Parts as of February 2013.
682-82556-00-00		OEM: This part number is among the Top 100 Most Popular Marine Maintenance Parts as of February 2013.



Revised : 04-02-2012

Part List


RIGGING 2005 2005 / CONTROL FLUSH STANDARD

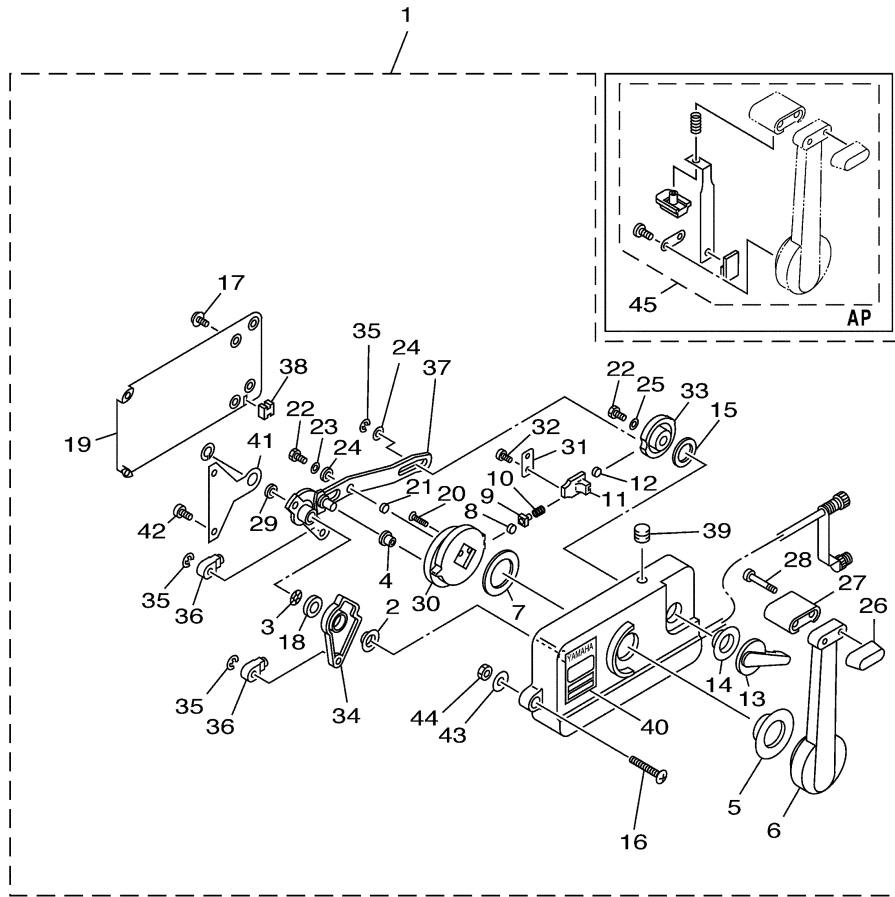
REF - NO	PART NUMBER	PART NAME	QUANTITY	REMARKS
1	6X0-48206-12-00	705 FLUSH (90) CONTROL ASSY	1	
2	6X0-48252-00-00	.PLATE, CAM	1	
3	6X0-48138-00-00	.CAP, LOCK ARM	1	
4	93430-06024-00	.CIRCLIP	3	
5	92990-10600-00	.WASHER, PLATE	1	
6	EL8-48259-00-00	.CIRCLIP 1	2	
7	6X0-48265-00-00	.SHAFT, FRICTION	1	
8	6X0-48262-00-00	.SHAFT, THROTTLE	1	
9	6X0-48264-00-00	.THROTTLE, FRICTION	1	
10	6X0-48187-00-00	.PLATE, ADJUST	1	
11	95380-06600-00	..NUT, HEXAGON	2	
12	704-48266-00-00	.SPACER	1	
13	704-82540-00-00	.NEUTRAL SWITCH ASSY	1	
14	98580-03014-00	.SCREW	2	
15	704-48281-00-00	.SCREW	1	
16	97890-05025-00	.SCREW, PAN HEAD	2	
17	6X0-48261-00-00	.ARM, THROTTLE	1	
18	EL8-48191-00-00	.WASHER 1	1	
19	97080-06018-00	.BOLT	3	
20	703-48345-01-00	.CABLE END, REMOTE CONTROL 2	2	
21	EL8-48271-00-00	.ARM, SHIFT	1	
22	EL8-48127-00-00	.SCREW 1	9	
23	703-48358-00-00	.ANCHOR, CABLE	1	
24	EL8-48231-00-00	.HOUSING, GEAR	1	
25	6X0-48241-00-00	.ARM, DRIVE	1	
26	EL8-48254-00-00	.STOPPER, THROTTLE ADJUSTING	1	
27	92780-06020-00	.SCREW, FLAT HEAD	2	
28	EL8-48158-00-00	.SPRING 1	1	
29	98580-04006-00	.SCREW, PAN HEAD	1	
30	EL8-48244-00-00	.SPRING, FREE ACCEL	1	
31	EL8-48245-00-00	.PLATE, LOCK	1	
32	704-48178-00-00	.PLATE, SHIFT	1	
33	701-48248-00-00	.ROLLER, FREE ACCEL	1	
34	704-48238-00-00	.SPRING, DETENT	5	
35	6X0-48121-00-00	.GEAR 1	1	
36	EL8-48164-00-00	.PIN 2	1	
37	EL8-48242-10-00	.SHAFT, DRIVE	1	
38	702-48263-00-00	.BUSHING	1	
39	EL8-48279-00-00	.CIRCLIP 2	1	
40	704-48193-00-00	.WASHER 3	1	
41	EL8-48234-00-00	.BUSHING 1	1	
42	703-48192-00-00	.WASHER 2	1	
43	EL8-48233-00-00	.GEAR 2	1	
44	702-48235-00-00	.BUSHING	1	
45	6X0-48153-00-00	.SHAFT, FREE ACCEL	1	
46	6X0-48222-00-00	.GRIP, CONTROL LEVER	1	
47	703-48227-00-00	.SPRING, NEUTRAL LOCK	1	
48	98580-05008-00	.SCREW, PAN HEAD	1	
49	98580-04010-00	.SCREW, PAN HEAD	1	
50	6X0-82563-01-00	.TRIM SWITCH ASSY	1	

51	6X0-48288-00-00	.WASHER, PLAIN	1	
52	6X0-48127-00-00	.SCREW 1	1	
53	6X0-48223-00-00	.LOCK, NEUTRAL	1	
54	6X0-48221-00-00	.LEVER, CONTROL	1	
55	6X0-48245-00-00	.PLATE, LOCK	1	
56	704-48225-00-00	.COVER	1	
57	6X0-48155-00-00	.PLUNGER	1	
58	92990-05300-00	.WASHER, INTERNAL TOOTH	6	
59	6X0-48281-00-00	.SCREW	6	
60	6X0-48193-00-00	.WASHER 3	1	
61	6X0-48128-00-00	.SCREW(M6X30)	3	
61	97885-06035-00	.SCREW, PAN HEAD	3	
62	6X0-48156-00-00	.NUT 1	3	
63	701-48287-00-00	.WASHER	3	
64	6X0-48129-00-00	.SCEW 3	4	
65	6X0-48215-00-00	.GRAPHIC	1	
66	6E0-44191-11-00	.INDICATOR, SHIFT	1	
67	704-82541-10-00	.WIRE, LEAD	1	
68	6X0-48116-00-00	.BUSHING	1	
69	92990-04300-00	.WASHER	1	
70	EL8-48281-00-00	.SCREW	1	
71	6X0-48225-00-00	.COVER	1	
72	6X0-48111-00-00	BODY, REMOTE CONTROL 1	1	

Part Notes

RIGGING 2005 2005 / CONTROL FLUSH STANDARD

PART NUMBER		NOTE TEXT
92990-10600-00		OEM: This part number is among the Top 100 Most Popular Marine Maintenance Parts as of February 2013.

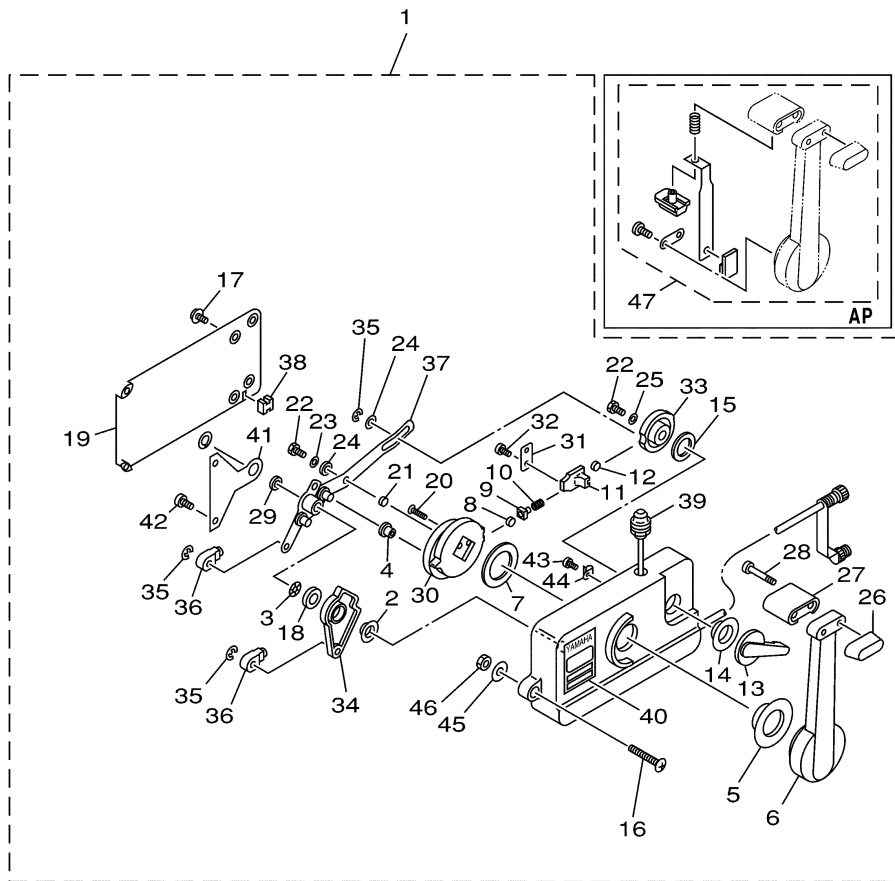


6G80100-9300

Part List

RIGGING 2005 2005 / CONTROL 701 MANUAL PULL

REF - NO	PART NUMBER	PART NAME	QUANTITY	REMARKS
1	701-48101-51-00	REMOTE CONTROL ASSY (RIGHT)	1	
2	701-48235-00-00	.BUSHING	1	
3	701-48197-10-00	.WASHER, WAVE	1	
4	701-48252-00-00	.ROLLER, CAM	1	
5	701-48234-00-00	.BUSHING 1	1	
6	701-48221-00-00	.LEVER, CONTROL	1	
7	701-48196-11-00	.WASHER, WAVE	1	
8	701-48236-00-00	.ROLLER, DETENT	1	
9	702-48237-00-00	.ADAPTOR	1	
10	702-48238-00-00	.SPRING, DETENT	1	
11	701-48249-00-00	.ADAPTOR, SPRING	1	
12	701-48248-00-00	.ROLLER, FREE ACCEL.	1	
13	701-48152-00-00	KNOB, FREE ACCEL	1	
14	701-48243-00-00	.BUSHING	1	
15	701-48198-10-00	.WASHER, WAVE	1	
16	701-48281-10-00	.SCREW	3	
17	701-48289-00-00	.SCREW	4	
18	701-48268-00-00	.SPACER	1	
19	701-48213-00-00	.BACK PLATE 2	1	
20	92780-06025-00	.SCREW, FLAT HEAD	2	
21	701-48255-00-00	.COLLAR	1	
22	97390-06018-00	.BOLT	2	
23	702-48288-00-00	.WASHER, PLAIN	1	
24	701-48246-00-00	.SPACER	2	
25	92990-06300-00	WASHER, INTERNAL TOOTH	1	
26	701-48229-00-00	.GRIP, CONTROL LEVER	1	
27	701-48222-00-00	.GRIP, CONTROL LEVER	1	
28	701-48282-00-00	.SCREW	2	
29	701-48266-00-00	.SPACER	1	
30	701-48232-00-00	.GEAR	1	
31	701-48189-11-00	.RETAINER	1	
32	98580-05010-00	.SCREW, PAN HEAD	2	
33	701-48153-12-00	.SHAFT, FREE ACCEL.	1	
34	701-48271-00-00	.ARM, SHIFT	1	
35	93430-06024-00	.CIRCLIP	3	
36	703-48345-01-00	.CABLE END, REMOTE CONTROL 2	2	
37	701-48261-00-00	.ARM, THROTTLE	1	
38	701-48358-00-00	.ANCHOR, CABLE	1	
39	701-48138-50-00	.CAP, LOCK ARM	1	
40	701-48126-00-00	GRAPHIC	1	
41	701-48133-00-00	.PLATE, LINK	1	
42	98580-05020-00	.SCREW, PAN HEAD	2	
43	701-48287-00-00	.WASHER	3	
44	95380-06600-00	NUT, HEXAGON	3	
45	701-48280-00-00	NEUTRAL LOCK KIT	1	



63V0100-9230

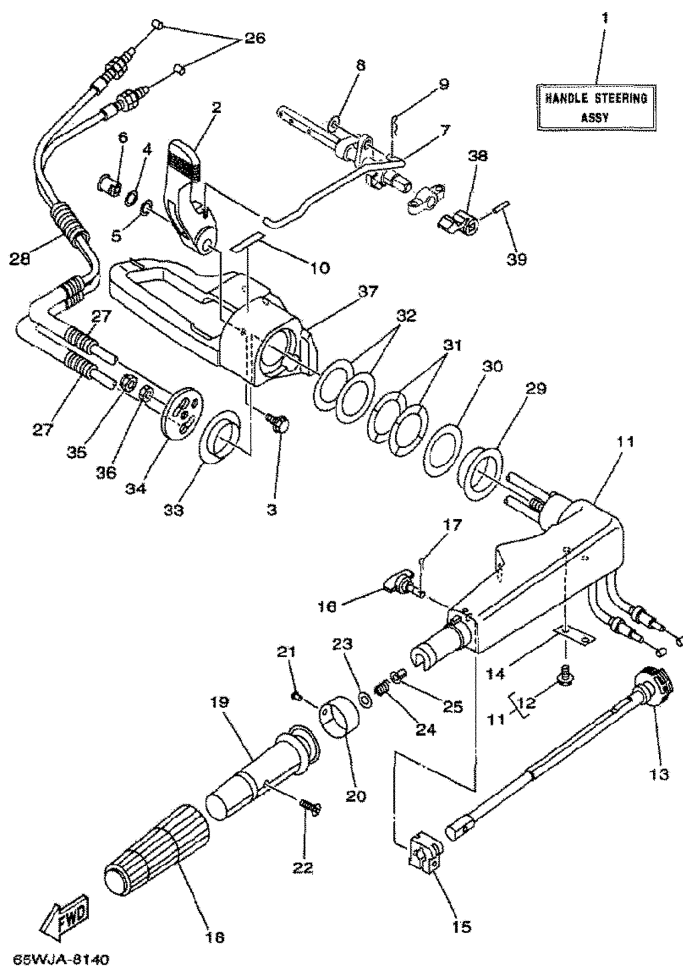
Part List

RIGGING 2005 2005 / CONTROL 701 MANUAL PUSH

REF - NO	PART NUMBER	PART NAME	QUANTITY	REMARKS
1	701-48130-02-00	REMOTE CONTROL ASSY (MANUAL)	1	
2	701-48235-00-00	.BUSHING	1	
3	701-48197-10-00	.WASHER, WAVE	1	
4	701-48252-00-00	.ROLLER, CAM	1	
5	701-48234-00-00	.BUSHING 1	1	
6	701-48221-00-00	.LEVER, CONTROL	1	
7	701-48196-11-00	.WASHER, WAVE	1	
8	701-48236-00-00	.ROLLER, DETENT	1	
9	702-48237-00-00	.ADAPTOR	1	
10	702-48238-00-00	.SPRING, DETENT	1	
11	701-48249-00-00	.ADAPTOR, SPRING	1	
12	701-48248-00-00	.ROLLER, FREE ACCEL.	1	
13	701-48152-11-00	.KNOB, FREE ACCEL.	1	
14	701-48243-00-00	.BUSHING	1	
15	701-48198-10-00	.WASHER, WAVE	1	
16	701-48281-10-00	.SCREW	3	
17	701-48289-00-00	.SCREW	4	
18	701-48268-00-00	.SPACER	1	
19	701-48213-00-00	.BACK PLATE 2	1	
20	92780-06025-00	.SCREW, FLAT HEAD	2	
21	701-48255-00-00	.COLLAR	1	
22	97390-06018-00	.BOLT	2	
23	702-48288-00-00	.WASHER, PLAIN	1	
24	701-48246-00-00	.SPACER	2	
25	92990-06300-00	WASHER, INTERNAL TOOTH	1	
26	701-48229-00-00	.GRIP, CONTROL LEVER	1	
27	701-48222-00-00	.GRIP, CONTROL LEVER	1	
28	701-48282-00-00	.SCREW	2	
29	701-48266-00-00	.SPACER	1	
30	701-48232-00-00	.GEAR	1	
31	701-48189-11-00	.RETAINER	1	
32	98580-05010-00	.SCREW, PAN HEAD	2	
33	701-48153-12-00	.SHAFT, FREE ACCEL.	1	
34	701-48271-00-00	.ARM, SHIFT	1	
35	93430-06024-00	.CIRCLIP	3	
36	703-48345-01-00	.CABLE END, REMOTE CONTROL 2	2	
37	701-48261-00-00	.ARM, THROTTLE	1	
38	701-48358-00-00	.ANCHOR, CABLE	1	
39	701-48138-50-00	.CAP, LOCK ARM	1	
40	701-48133-00-00	.PLATE, LINK	1	
41	98580-05020-00	.SCREW, PAN HEAD	2	
42	701-48287-00-00	.WASHER	3	
43	95380-06600-00	NUT, HEXAGON	3	
44	701-82594-00-00	.CLAMP	3	
45	701-48287-00-00	.WASHER	3	
46	95380-06600-00	NUT, HEXAGON	3	
47	701-48280-00-00	NEUTRAL LOCK KIT	1	

Tiller Application Chart

Model Name	Main Kit	Separate Friction	Separate Main Assy	Idle Speed Trolling Switch 6C5-W8186-00-00	68V-Y42AP-00-4D F115 Extension	Notes
40TLRD	63D-W0086-Z1-4D					
50TLRD	63D-W0086-Z1-4D					
60TLRD	6H3-W0086-Z1-4D					
70TLRD	6H3-W0086-Z1-4D					
90TLRD	6H1-W0086-Z1-4D					
F25ESRD	65W-W0086-Z2-4D					
F25ELRD	65W-W0086-Z2-4D					
F25TLRD	65W-W0086-Z2-4D					
T25TLRD	65W-W0086-Z2-4D					
F30TLRD	67C-W0086-K1-4D	67C-42508-01-00	62Y-Y421P-01-4D			Main Assy-02 OK
F40TLRD	67C-W0086-K1-4D	67C-42508-01-00	62Y-Y421P-01-4D			Main Assy-02 OK
F40EJRD	67C-W0086-K1-4D	67C-42508-01-00	62Y-Y421P-01-4D			Main Assy-02 OK
F50TLRD	6C5-W0086-K2-4D	6C5-42508-00-00	62Y-Y421P-02-4D	X		
T50TLRD	6C5-W0086-K2-4D	6C5-42508-00-00	62Y-Y421P-02-4D	X		
F60TLRD	6C5-W0086-K2-4D	6C5-42508-00-00	62Y-Y421P-02-4D	X		
F60TLRD	6C5-W0086-K2-4D	6C5-42508-00-00	62Y-Y421P-02-4D	X		
T60TLRD	6C5-W0086-K2-4D	6C5-42508-00-00	62Y-Y421P-02-4D	X		
F75TLRD	67G-W0086-Z4-4D			X		
F90TJRD	67G-W0086-Z4-4D			X		
F90TLRD	67G-W0086-Z4-4D			X		
F90TXRD	67G-W0086-Z4-4D			X		
F115TJRD	68V-W0086-KT-4D		67G-W0086-Z4-4D		X	
F115TLRD	68V-W0086-KT-4D		67G-W0086-Z4-4D		X	
F115TXRD	68V-W0086-KT-4D		67G-W0086-Z4-4D		X	





Part List

RIGGING 2005 2005 / TILLER KIT F25

REF - NO	PART NUMBER	PART NAME	QUANTITY	REMARKS
1	65W-W0084-Z0-4D	HANDLE STEERING ASSEMBLY	1	
2	67G-44159-00-00	HANDLE, GEAR SWITCH	1	
3	95895-06016-00	BOLT, FLANGE	1	
4	90206-12M22-00	WASHER, WAVE	1	
5	90201-12M34-00	.WASHER, PLATE	1	
6	65W-42123-00-00	BOLT, HANDLE JOINT	1	
7	65W-44124-00-00	LINK, SHIFT ROD	1	
8	92990-06200-00	WASHER, PLAIN	1	
9	90468-18008-00	CLIP	1	
10	6G8-44191-00-00	INDICATOR, SHIFT	1	
11	67G-42111-00-4D	HANDLE, STEERING	1	
12	90109-06M86-00	.BOLT	2	
13	65W-42138-00-00	LEVER, THROTTLE	1	
14	65W-42159-00-00	STAY	1	
15	6G1-42126-00-00	FRICITION, STEERING HANDLE GRIP	1	
16	65W-42125-00-00	BOLT, FRICTION ADJUSTING	1	
17	91490-16010-00	PIN. COTTER	1	
18	6F6-42177-A0-00	RUBBER, HANDLE	1	
19	664-42119-00-00	GRIP, STEERING HANDLE	1	
20	6H2-42137-00-00	INDICATOR, THROTTLE	1	
20	6J0-42137-00-00	INDICATOR, THROTTLE	1	
21	90269-02M09-00	RIVET	1	
22	90149-05M13-00	SCREW	1	
23	92903-10600-00	WASHER, PLATE	1	
24	90501-23215-00	SPRING, COMPRESSION	1	
25	90386-08032-00	BUSH	1	
26	65W-26311-00-00	CABLE, THROTTLE 1	2	
27	90446-10M86-00	HOSE (L140)	1	
28	90446-16M88-00	HOSE	1	
29	90386-40MA0-00	BUSH	1	
30	90201-43M00-00	WASHER, PLATE	1	
31	90206-43M22-00	WASHER, WAVE	2	
32	90202-43M57-00	WASHER, PLATE	2	
33	90386-40M99-00	BUSH	1	
34	67G-42131-00-00	COVER, HANDLE STEERING	1	
35	90185-08057-00	NUT, SELF-LOCKING	1	
36	95380-08600-00	NUT	1	
37	65W-42121-00-4D	BRACKET	1	
38	65W-44173-00-00	LEVER, SHIFT CONTROL	1	
39	91690-30320-00	PIN, SPRING	1	

Part Notes

RIGGING 2005 2005 / TILLER KIT F25

PART NUMBER	NOTE TEXT
92990-06200-00 	OEM: This part number is among the Top 100 Most Popular Marine Maintenance Parts as of February 2013.
90468-18008-00 	OEM: This part number is among the Top 100 Most Popular Marine Maintenance Parts as of February 2013.

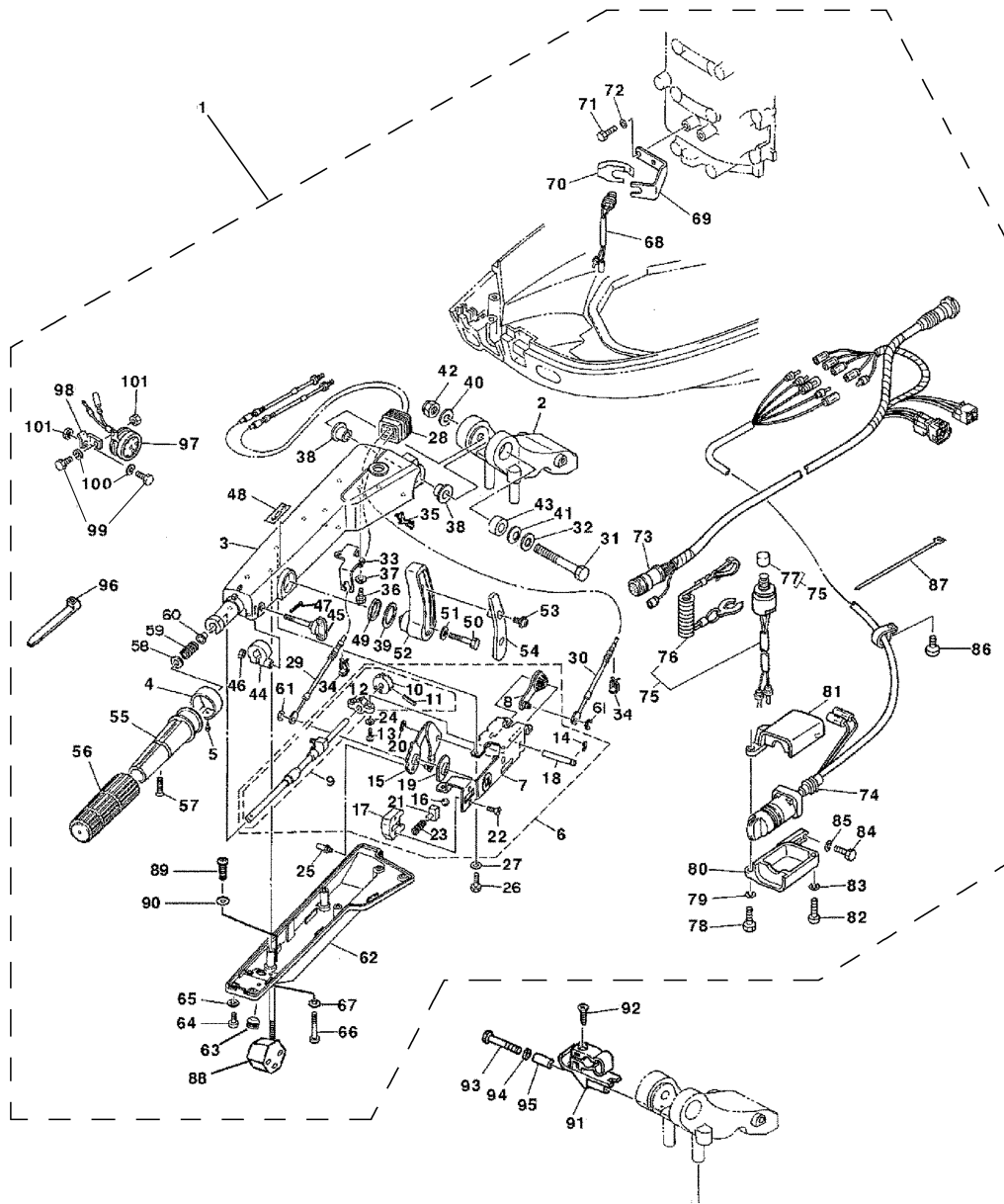
NO IMAGE AVAILABLE

- 1 NOT SHOWN**
- 2 NOT SHOWN**
- 3 NOT SHOWN**
- 4 NOT SHOWN**
- 5 NOT SHOWN**
- 6 NOT SHOWN**
- 7 NOT SHOWN**
- 8 NOT SHOWN**
- 9 NOT SHOWN**
- 10 NOT SHOWN**
- 11 NOT SHOWN**
- 12 NOT SHOWN**
- 13 NOT SHOWN**
- 14 NOT SHOWN**
- 15 NOT SHOWN**
- 16 NOT SHOWN**
- 17 NOT SHOWN**

Part List

RIGGING 2005 2005 / TILLER KIT F40 STEERING FRICTION

REF - NO	PART NUMBER	PART NAME	QUANTITY	REMARKS
1	62Y-42727-40-00	GROMMET 2	1	
2	63D-83728-00-00	CONNECTOR ASSY	1	
3	65W-44173-00-00	LEVER, SHIFT CONTROL	1	
4	67C-Y301P-Z4-00	STEERING HEAD ASSEMBLY	1	
5	67C-Y301P-Z5-00	STEERING HEAD ASSEMBLY	1	
6	67C-Y360E-00-00	STEERING, FRICTION ASSEMBLY	1	
7	69W-2819K-10-00	MANUAL, SET-UP	1	
8	69W-2819K-11-00	MANUAL, SET-UP	1	
9	6F5-25400-00-00	NEUTRAL SWITCH ASSEMBLY	1	
10	6H2-82586-02-00	EXTENSION, WIRE HARNESS	1	
11	6H5-83553-12-00	WIRE, LEAD	1	
12	6J8-82554-00-00	STAY, NEUTRAL SWITCH	1	
13	90109-06M86-00	BOLT	2	
14	90109-06M88-00	BOLT	2	
15	90254-03M05-00	PIN, SPRING	1	
16	90465-13M24-00	CLAMP	1	
17	92990-06100-00	WASHER, SPRING	2	



Part List



RIGGING 2005 2005 / TILLER KIT F T50 60











REF - NO	PART NUMBER	PART NAME	QUANTITY	REMARKS
1	6C5-W0086-K2-4D	HANDLE STEERING ASSY	1	
2	63D-42121-00-4D	.BRACKET	1	
3	63D-42111-00-4D	.HANDLE, STEERING	1	
4	6H4-42137-00-00	.INDICATOR, THROTTLE	1	
5	90269-02M09-00	.RIVET	1	
6	63D-44100-10-00	.SHIFT LINK ASSY	1	
7	63D-44104-00-00	.PLATE COMP	1	
8	63D-48261-00-00	.ARM, THROTTLE	1	
9	63D-42115-00-00	.SHAFT, STEERING HANDLE	1	
10	650-42152-00-94	.GEAR	1	
11	91690-30025-00	.PIN, SPRING	1	
12	63D-42159-00-00	.STAY	1	
13	98580-06016-00	.SCREW, PAN HEAD	2	
14	99001-08600-00	.CIRCLIP	1	
15	63D-44113-01-00	.CAM PLATE, HANDLE	1	
16	63D-48236-00-00	.ROLLER, DETENT	1	
17	63D-48119-00-00	.COVER	1	
18	63D-42153-00-00	.SHAFT, THROTTLE CONTROL	1	
19	63D-44132-00-00	.BUSHING	1	
20	63D-48118-00-00	.CLIP, SHIFT LEVER	1	
21	63D-48237-00-00	.ADAPTER	1	
22	98780-05014-00	.SCREW, FLAT HEAD	2	
23	63D-48238-00-00	.SPRING, DETENT	1	
24	63D-42181-00-00	.WASHER	2	
25	63D-44114-00-00	.STOPPER	1	
26	97095-06016-00	.BOLT	4	
27	92990-06600-00	.WASHER, PLATE	4	
28	6C5-42725-40-00	.GROMMET	1	
29	62Y-48321-00-00	.CABLE	1	
30	62Y-26301-01-00	.THROTTLE CABLE ASSY	1	
31	90101-12M09-00	.BOLT	1	
32	92990-12200-00	.WASHER, PLAIN	1	
33	63D-48531-00-00	.BRACKET, REMOTE CONTROL	1	
34	63D-484538-00-00	.CLAMP, CABLE 1	2	
35	90464-09M42-00	.CLAMP	1	
36	97095-06016-00	.BOLT	2	
37	92990-06600-00	.WASHER, PLATE	2	
38	90386-12M93-00	.BUSH	2	
39	90386-29M95-00	.BUSH	1	
40	92990-12600-00	.WASHER, PLATE	1	
41	90206-12M21-00	.WASHER, WAVE	1	
42	90185-12058-00	.NUT, SELF-LOCKING	1	
43	90387-12M02-00	.COLLAR	1	
44	63D-42126-00-00	.FRICTION, STEERING HANDLE GRIP	1	
45	63D-48154-00-00	.KNOB, THROTTLE	1	
46	95380-06600-00	.NUT, HEXAGON	1	
47	91490-20015-00	.PIN COTTER	1	
48	6G8-44191-00-00	.INDICATOR, SHIFT	1	
49	90202-24M53-00	.WASHER, PLATE	1	
50	97395-08040-00	.BOLT	1	
51	92990-08600-00	.WASHER, PLATE	1	

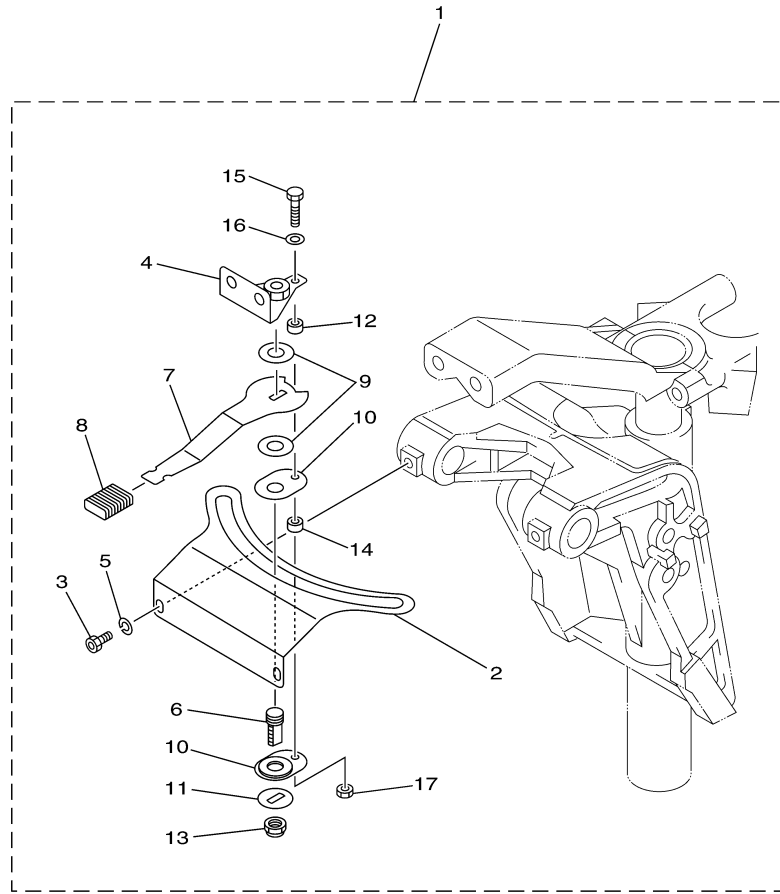
52	63D-44159-00-4D	.HANDLE, GEAR SHIFT	1	
53	90159-06M18-00	.SCREW, WITH WASHER	2	
54	63D-44173-00-00	.LEVER, SHIFT CONTROL	1	
55	664-42119-00-00	.GRIP, STEERING HANDLE	1	
56	6N0-G2177-00-00	.RUBBER, HANDLE	1	
57	90149-05M13-00	.SCREW	1	
58	92990-10600-00	.WASHER, PLATE	1	
59	90501-23215-00	.SPRING, COMPRESSION	1	
60	90386-08032-00	.BUSH	1	
61	99080-04600-00	.CIRCLIP	2	
62	63D-42131-10-00	.COVER, HANDLE STEERING	1	
63	90480-14M14-00	.GROMMET	1	
64	97885-06016-00	.SCREW, PAN HEAD	4	
65	92990-06600-00	.WASHER, PLATE	4	
66	97885-06040-00	.SCREW, PAN HEAD	3	
67	92990-06600-00	.WASHER, PLATE	3	
68	688-82540-11-00	.NEUTRAL SWITCH ASSY	1	
69	62Y-82554-00-00	.STAY, NEUTRAL ASSY	1	
70	6C5-82555-00-00	.DAMPER, MAIN SWITCH 1	1	
71	97395-06014-00	.BOLT	2	
72	92990-06600-00	.WASHER, PLATE	2	
73	6H2-82586-01-00	.EXTENSION, WIRE HARNESS	1	
74	6H5-82510-01-00	.MAIN SWITCH ASSY	1	
75	682-82575-09-00	.ENGINE STOP SWITCH ASSY	1	
76	682-82556-00-00	.LANYARD, STOP SWITCH	1	
77	689-8257Y-00-00	.CAP	1	
78	90101-06M27-00	.BOLT	1	
79	92995-06100-00	.WASHER, SPRING	1	
80	63D-8252F-00-4D	.COVER, MAIN SWITCH	1	
81	63D-8252E-00-4D	.COVER, MAIN SWITCH	1	
82	97885-06025-00	.SCREW, PAN HEAD	1	
83	92995-06100-00	.WASHER, SPRING	1	
84	97080-06020-00	.BOLT	1	
85	92995-06100-00	.WASHER, SPRING	1	
86	97885-06012-00	.SCREW, PAN HEAD	1	
87	90465-13M39-00	.CLAMP	1	
88	63D-82563-00-00	.TRIM & TILT SWITCH	1	
89	98580-06016-00	.SCREW, PAN HEAD	1	
90	92995-06600-00	.WASHER	1	
91	62Y-82361-00-00	CLAMP, CORD	1	
92	90161-06M03-00	SCREW, TAPPING	1	
93	97080-06035-00	.BOLT	1	
94	92990-06600-00	WASHER, PLATE	1	
95	90387-06M26-00	COLLAR	1	
96	90464-15M11-00	.CLAMP	1	
97	668-83383-11-00	.BUZZER	1	
98	6H5-83386-00-00	.BUZZER STAY	1	
99	97013-05010-00	.BOLT	2	
100	92990-05100-00	.WASHER, SPRING	2	
101	90185-10051-00	.NUT, SELF-LOCKING	2	

Part Notes

RIGGING 2005 2005 / TILLER KIT F T50 60

PART NUMBER		NOTE TEXT
92990-06600-00		OEM: This part number is among the Top 100 Most Popular Marine Maintenance Parts as of February 2013.
92990-06600-00		OEM: This part number is among the Top 100 Most Popular Marine Maintenance Parts as of February 2013.

92990-10600-00		OEM: This part number is among the Top 100 Most Popular Marine Maintenance Parts as of February 2013.
92990-06600-00		OEM: This part number is among the Top 100 Most Popular Marine Maintenance Parts as of February 2013.
92990-06600-00		OEM: This part number is among the Top 100 Most Popular Marine Maintenance Parts as of February 2013.
92990-06600-00		OEM: This part number is among the Top 100 Most Popular Marine Maintenance Parts as of February 2013.
682-82556-00-00		OEM: This part number is among the Top 100 Most Popular Marine Maintenance Parts as of February 2013.
90101-06M27-00		OEM: This part number is among the Top 100 Most Popular Marine Maintenance Parts as of February 2013.
92995-06100-00		OEM: This part number is among the Top 100 Most Popular Marine Maintenance Parts as of February 2013.
92995-06100-00		OEM: This part number is among the Top 100 Most Popular Marine Maintenance Parts as of February 2013.
92995-06100-00		OEM: This part number is among the Top 100 Most Popular Marine Maintenance Parts as of February 2013.
92990-06600-00		OEM: This part number is among the Top 100 Most Popular Marine Maintenance Parts as of February 2013.

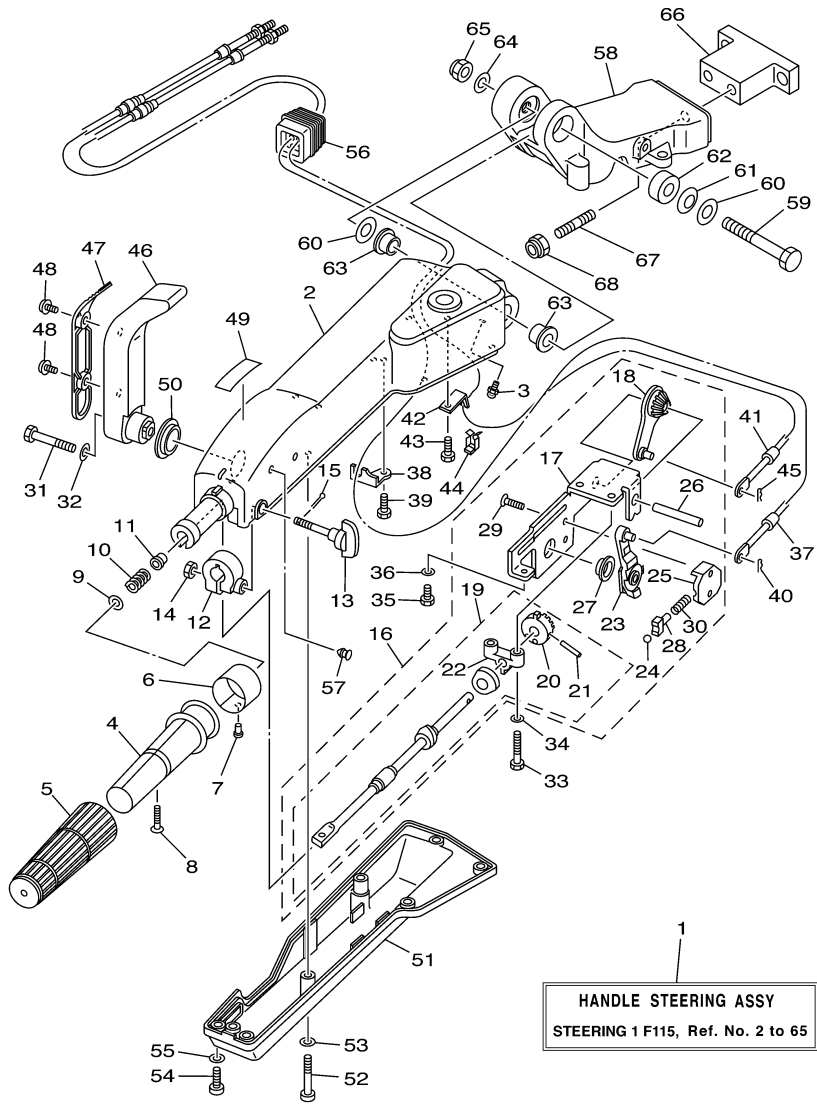


6C11010-D220

Part List

RIGGING 2005 2005 / TILLER KIT F T50 F T60 STEERING FRICTION

REF - NO	PART NUMBER	PART NAME	QUANTITY	REMARKS
1	6C5-42508-00-00	STEERING FRICTION ASSY	1	
2	6C5-42527-00-00	.PLATE, FRICTION	1	
3	90109-06M88-00	.BOLT	2	
4	67C-42525-00-00	.PLATE, FRICTION	1	
5	92990-06100-00	.WASHER, SPRING	2	
6	67C-42562-00-00	.SHAFT, STEERING LOCK	1	
7	67C-42561-00-00	.KNOB, STEERING LOCK	1	
8	689-43633-00-00	.COVER, TILT LEVER	1	
9	90202-10M56-00	.WASHER, PLATE	2	
10	65W-42528-00-00	.PLATE, FRICTION	2	
11	90209-10M26-00	.WASHER	1	
12	90387-05M05-00	.COLLAR	1	
13	90185-10M14-00	.NUT, SELF-LOCKING	1	
14	90387-05M11-00	.COLLAR	1	
15	97095-05020-00	.BOLT	1	
16	92995-05600-00	.WASHER	1	
17	95380-05600-00	.NUT	1	



HANDLE STEERING ASSY
STEERING 1 F115, Ref. No. 2 to 65



68V4100-D180

Part List


RIGGING 2005 2005 / TILLER KIT 1 F75 90 115

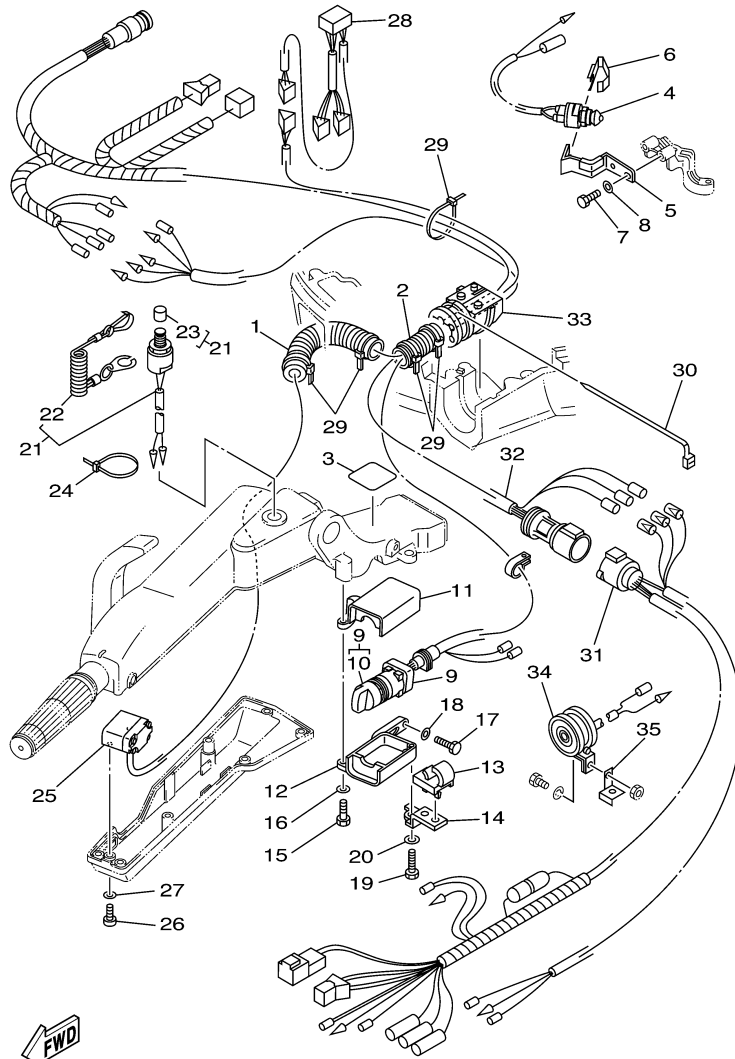
REF - NO	PART NUMBER	PART NAME	QUANTITY	REMARKS
1	67G-W0086-Z4-4D	TILLER HANDLE KIT 05+F75/90	1	
1	68V-W0086-KT-4D	TILLER HANDLE KIT F115	1	
2	67G-42111-02-4D	HANDLE, STEERING	1	
3	93700-06M03-00	NIPPLE, GREASE	1	
4	664-42119-00-00	GRIP, STEERING HANDLE	1	
5	6G1-42177-00-00	RUBBER, HANDLE	1	
6	6H2-42137-00-00	INDICATOR, THROTTLE	1	
7	90269-02M09-00	RIVET	1	
8	90149-05M13-00	SCREW	1	
9	92903-10600-00	WASHER, PLATE	1	
10	90501-23215-00	SPRING, COMPRESSION	1	
11	90386-08032-00	BUSH	1	
12	63D-42126-00-00	FRICITION, STEERING HANDLE GRIP	1	
13	63D-48154-00-00	KNOB, THROTTLE	1	
14	95380-06600-00	.NUT, HEXAGON	1	
15	91490-20010-00	PIN. COTTER	1	
16	67G-44100-10-00	SHIFT LINK ASSY	1	
17	67G-44104-00-00	.PLATE COMP	1	
18	67G-48261-00-00	.ARM, THROTTLE	1	
19	67G-42115-10-00	.SHAFT, STEERING HANDLE	1	
20	65042152-00-94	..GEAR	1	
21	91690-30025-00	PIN, SPRING	1	
22	67G-42159-00-00	..STAY	1	
23	67G-44113-00-00	.CAM PLATE, HANDLE	1	
24	63D-48236-00-00	.ROLLER, DETENT	1	
25	63D-48119-00-00	.COVER	1	
26	67G-42153-00-00	.SHAFT, THROTTLE CONTROL	1	
27	67G-44132-00-00	.BUSHING	1	
28	63D-48237-00-00	.ADAPTER	1	
29	98785-05014-00	.SCREW, FLAT HEAD	2	
30	63D-48238-00-00	.SPRING, DETENT	1	
31	97095-08040-00	BOLT	1	
32	92995-08600-00	WASHER	1	
33	97095-06030-00	BOLT	2	
34	92995-06600-00	WASHER	2	
35	97095-06014-00	BOLT	1	
36	92995-06600-00	WASHER	1	
37	67G-48321-10-00	CABLE	1	
38	67G-48531-00-00	BRACEKT, REMOTE CONTROL 1	1	
39	97095-06014-00	BOLT	1	
40	90468-10005-00	CLIP	1	
41	67G-26301-10-00	THROTTLE CABLE ASSY	1	
42	66R-48538-00-00	CLAMP, CABLE 1	1	
43	97095-06014-00	BOLT	1	
44	63D-48538-00-00	CLAMP, CABLE 1	1	
45	90468-10005-00	CLIP	1	
46	67G-44159-00-4D	HANDLE, GEAR SHIFT	1	
47	67G-44173-00-00	LEVER, SHIFT CONTROL	1	
48	90159-06M18-00	SCREW, WITH WASHER	2	
49	6G8-44191-00-00	INDICATOR, SHIFT	1	

50	90386-26MA3-00	BUSH	1	
51	67G-42131-00-00	COVER, HANDLE STEERING	1	
52	97885-06040-00	SCREW, PAN HEAD	2	
53	92995-06600-00	WASHER	2	
54	97885-06016-00	SCREW, PAN HEAD	5	
55	92995-06600-00	WASHER	5	
56	63D-42725-00-00	GROMMET	1	
57	90338-07180-00	PLUG	2	
58	63D-42121-30-4D	BRACKET	1	
59	90101-12014-00	BOLT	1	
60	92990-12200-00	WASHER, PLAIN	2	
61	90206-12M22-00	WASHER, WAVE	1	
62	90387-12M02-00	COLLAR	1	
63	90386-12M93-00	BUSH	2	
64	92990-12600-00	WASHER, PLATE	1	
65	90185-12M12-00	NUT, SELF-LOCKING	1	
66	68V-42121-00-4D	BRACKET	1	AP F115 ONLY
67	90116-10175-00	BOLT, STUD	2	AP
68	90185-10051-00	NUT, SELF-LOCKING	2	AP

Part Notes

RIGGING 2005 2005 / TILLER KIT 1 F75 90 115

PART NUMBER		NOTE TEXT
93700-06M03-00		OEM: This part number is among the Top 100 Most Popular Marine Maintenance Parts as of February 2013.



68V3100-C190


Part List

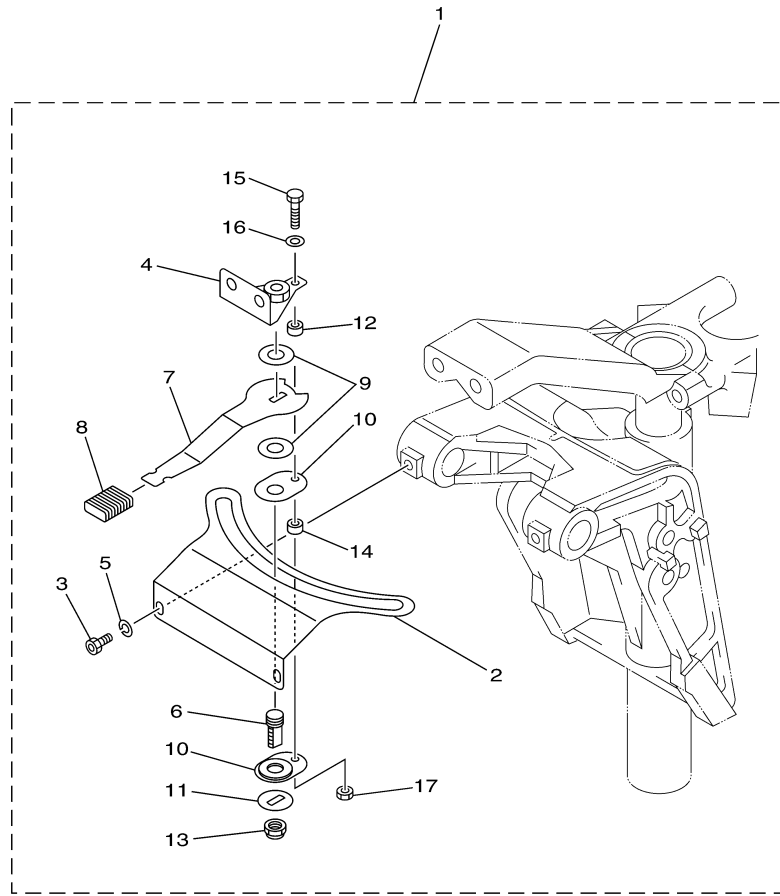
RIGGING 2005 2005 / TILLER KIT 2 F75 90 115

REF - NO	PART NUMBER	PART NAME	QUANTITY	REMARKS
1	90446-24M79-00	HOSE (L230)	1	AP
2	6K3-83557-00-00	TUBE	1	AP
3	67G-42735-00-00	PROTECTOR	1	AP
4	688-82540-11-00	NEUTRAL SWITCH ASSY	1	AP
5	67G-82554-01-00	STAY, NEUTRAL SWITCH	1	AP
6	62Y-82555-00-00	DAMPER, MAIN SWITCH 1	1	AP
7	97095-06014-00	BOLT	2	AP
8	92995-06600-00	WASHER	2	AP
9	67G-82510-50-00	MAIN SWITCH ASSY	1	AP
10	676-82577-00-00	..CAP, KEY	1	
11	63D-8252E-01-AD	COVER, MAIN SWITCH	1	AP
12	63D-8252F-01-4D	COVER, MAIN SWITCH 2	1	AP
13	63D-24367-00-00	CLAMP, FUEL PIPE 2	1	AP
14	63D-24364-00-00	STAY	1	AP
15	97095-06025-00	BOLT	1	AP
16	92995-06600-00	WASHER	1	AP
17	97095-06020-00	BOLT	1	AP
18	92995-06600-00	WASHER	1	AP
19	97095-06030-00	BOLT	1	AP
20	92995-06600-00	WASHER	1	AP
21	69W-82575-00-00	ENGINE STOP SWITCH ASSY	1	AP
22	682-82556-00-00	..LANYARD, STOP SWITCH	1	AP
23	689-8257Y-00-00	.CAP	1	AP
24	90465-13M11-00	CLAMP	1	AP
25	67G-82563-00-00	TRIM & TILT SWITCH ASSY	1	AP
26	97885-06016-00	SCREW, PAN HEAD	2	AP
27	92995-06600-00	WASHER	2	AP
28	63D-83728-00-00	CONNECTOR ASSY	1	AP
29	90465-13M24-00	CLAMP	5	AP
30	90465-13M30-00	CLAMP	1	AP
31	6H5-83553-12-00	WIRE, LEAD	1	AP
32	63D-82586-01-00	EXTENSION, WIRE HARNESS	1	AP
33	67G-42725-01-00	GROMMET	1	AP
34	688-83383-11-00	.BUZZER	1	AP
35	6H5-83386-00-00	BUZZER STAY	1	AP
36	67G-W0086-Z4-4D	TILLER HANDLE KIT 05+F75/90	1	NOT SHOWN SEE TILLER KIT 1

Part Notes

RIGGING 2005 2005 / TILLER KIT 2 F75 90 115

PART NUMBER	NOTE TEXT
682-82556-00-00 	OEM: This part number is among the Top 100 Most Popular Marine Maintenance Parts as of February 2013.

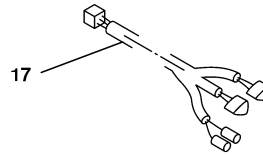
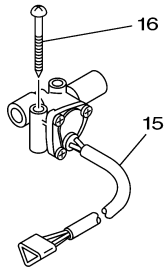
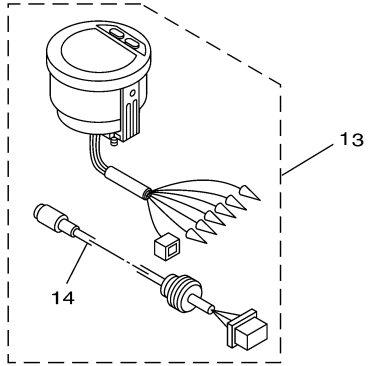
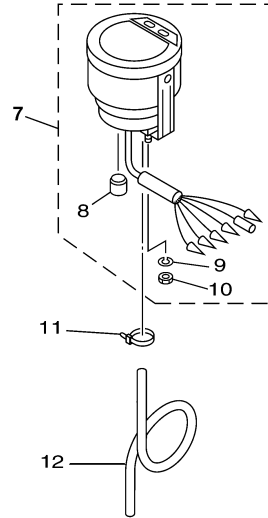
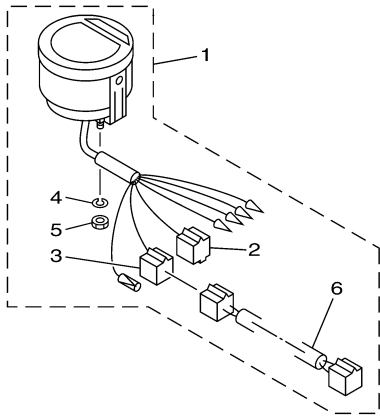


6C11010-D220

Part List

RIGGING 2005 2005 / TILLER KIT F75 90 115 STEERING FRICTION

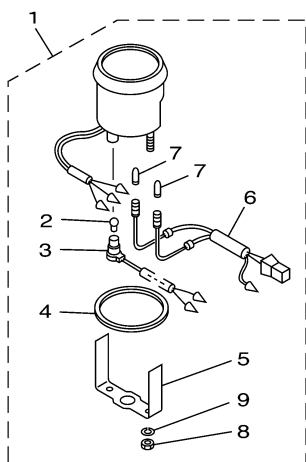
REF - NO	PART NUMBER	PART NAME	QUANTITY	REMARKS
1	67C-42508-01-00	STEERING FRICTION ASSEMBLY	1	
2	67C-42527-01-00	.PLATE, FRICTION	1	
3	90109-06M88-00	..BOLT	2	
4	67C-42525-00-00	..PLATE, FRICTION	1	
5	92990-06100-00	.WASHER, SPRING	2	
6	67C-42562-00-00	..SHAFT, STEERING LOCK	1	
7	67C-42561-00-00	..KNOB, STEERING LOCK	1	
8	689-43633-00-00	..COVER, TILT LEVER	1	
9	90202-10M56-00	.WASHER, PLATE	2	
10	65W-42528-00-00	.PLATE, FRICTION	2	
11	90209-10M26-00	..WASHER	1	
12	90387-05M05-00	..COLLAR	1	
13	90185-10M14-00	..NUT, SELF-LOCKING	1	
14	90387-05M11-00	..COLLAR	1	
15	97095-05020-00	..BOLT	1	
16	92995-05600-00	.WASHER	1	
17	95380-56000-00	.NUT	1	



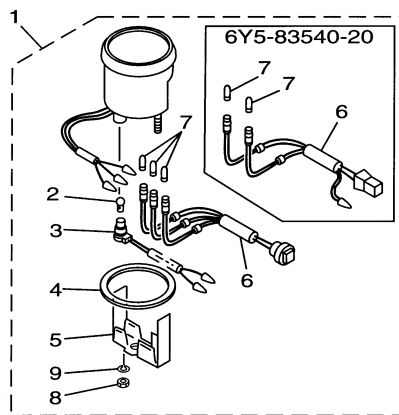
Part List

RIGGING 2005 2005 / INSTRUMENTS DIGITAL

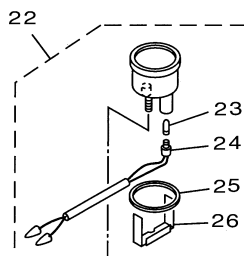
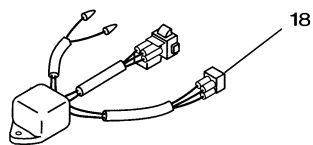
REF - NO	PART NUMBER	PART NAME	QUANTITY	REMARKS
1	6Y5-8350T-82-00	TACHOMETER ASSY	1	
2	9E450-04433-00	..CONNECTOR	1	M-4-W
3	9E450-04533-00	..CONNECTOR	1	F-4-W
4	92990-04100-00	..WASHER, SPRING	2	
5	95380-04600-00	..NUT	2	
6	6Y5-83553-80-00	..WIRE, LEAD	1	
7	6Y5-83570-S5-00	..SPEEDOMETER ASSY	1	
8	6Y5-83533-T2-00GROMMET	1	
9	92990-04100-00WASHER, SPRING	2	
10	95380-04600-00NUT	2	
11	90465-11M10-00	.CLAMP	1	
12	6Y5-83557-10-00	TUBE (8M)	1	AP
13	6Y5-83500-F2-00	.FUEL MANAGEMENT METER	1	AP
14	6Y5-87122-S0-00	..CORD ASSY 1	1	OPTIONAL FOR GPS CONNECTION
15	6Y5-85752-01-00	SENDER UNIT ASSY, FUEL METER	2	AP
16	90158-06002-00	SCREW, WOOD	4	AP
17	6Y5-83553-F1-00	WIRE, LEAD (L=8.0M)	1	FOR FUEL SENDER



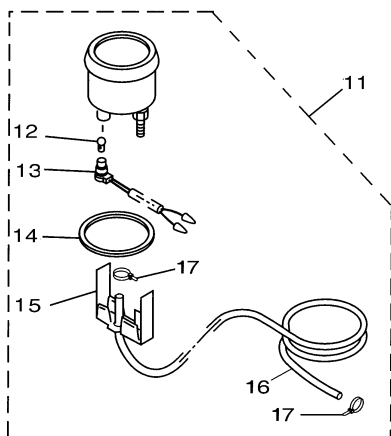
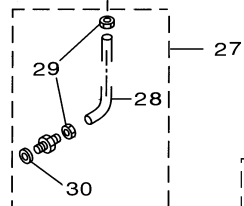
TACHOMETER



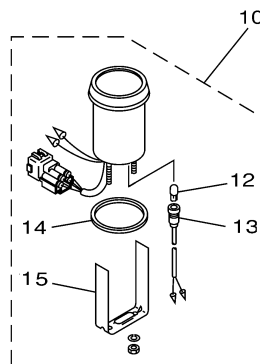
TACHOMETER



WATER PRESSURE



SPEEDOMETER



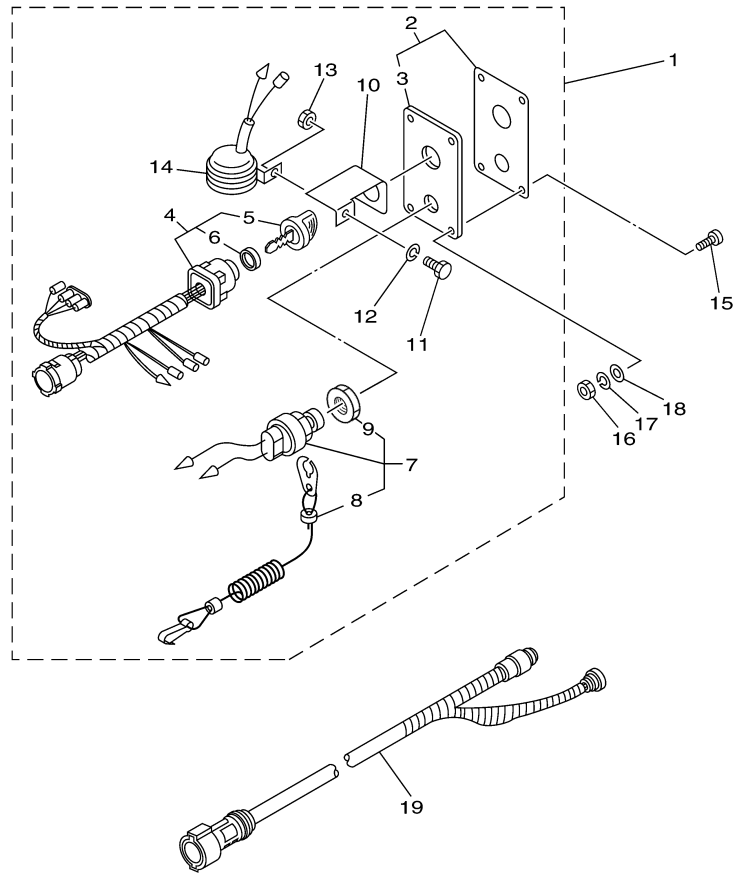
SPEEDOMETER

Part List

RIGGING 2005 2005 / INSTRUMENTS ANALOGUE

REF - NO	PART NUMBER	PART NAME	QUANTITY	REMARKS
1	6Y5-83540-14-00	PRO TACHOMETER ASSY WO OIL	1	
1	6Y5-83540-05-00	PRO TACHOMETER ASSY WOIL	1	
1	6Y5-83540-20-00	FOURSTROKE 50 TACHOMETER	1	
1	6Y7-83540-60-00	PRO SERIES 11 TACHOMETER W/OIL (BLACK)	1	(2 LAMP BLACK)
1	6Y7-83540-70-00	PRO SERIES 11 TACHOMETER W/OIL (WHITE)	1	(2 LAMP WHITE)
2	6Y5-83517-00-00	.BULB (T10, 12V-17W)	1	
3	6Y5-83536-10-00	.SOCKET, METER	1	
4	6Y5-83523-00-00	.DAMPER	1	
5	6Y5-83514-00-00	.PLATE, FITTING	1	
6	6Y5-83509-03-00	.SOCKET CORD ASSY	1	
7	6Y5-83518-00-00	.BULB (12V-17W T65)	3	
8	95303-05600-00	.NUT	2	
9	92903-05100-00	.WASHER, SPRING	2	
10	6Y5-83670-12-00	TRIM METER ASSY	1	
10	6Y7-83670-10-00	PROSERIES II TRIM METER (BLACK)	1	
10	6Y7-83670-30-00	PRO SERIES II TRIM METER (WHITE)	1	
11	6Y7-83510-10-00	SPEEDOMETER ASSY (75MPH)	1	SPEED 75
11	6Y7-83510-30-00	SPEEDOMETER ASSY (50MPH)	1	SPEED 50
11	6Y7-83510-00-00	SPEEDOMETER ASSY (75MPH)	1	SPEED 75
11	6Y5-83510-10-00	PRO SERIES II SPEEDOMETER (0-75MPH)	1	SPEED 50
11	6Y5-83510-00-00	SPEEDOMETER (0-75M)	1	SPEED 75
11	6Y7-83510-20-00	SPEEDOMETER ASSY (50MPH)	1	SPEED 50
12	6Y5-83518-00-00	.BULB (12V-17W T65)	1	
13	6Y5-83536-00-00	.SOCKET, METER	1	
14	688-83664-00-00	.DAMPER	1	
15	6Y5-83544-00-00	.PLATE, FITTING	1	
16	688-83557-00-00	.TUBE	1	
17	90465-11M10-00	CLAMP	2	
18	6Y5-81950-02-00	RELAY ASSY	1	FOR 6Y5 OIL LIGHT
19	6Y7-85750-10-00	FUEL METER ASSY	1	NOT SHOWN
19	6Y7-85750-30-00	FUEL METER ASSY	1	NOT SHOWN
20	6Y7-83503-10-00	VOLTMETER ASSY	1	NOT SHOWN
20	6Y7-83503-00-00	VOLTMETER ASSY	1	NOT SHOWN
20	6Y5-83503-00-00	VOLT METER	1	NOT SHOWN
21	6Y5-83590-00-00	WATER TEMP METER	1	NOT SHOWN
22	6Y7-83660-10-00	WATER PRESSURE METER ASSY	1	
22	6Y7-83660-30-00	WATER PRESSURE METER ASSY	1	
23	6Y5-83518-00-00	.BULB (12V-17W T65)	1	
24	6Y5-83536-00-00	.SOCKET, METER	1	
25	688-83664-00-00	.DAMPER	1	
26	688-83665-00-00	.PLATE, FITTING	1	
27	688-83667-00-00	SENDER	1	

28	688-83666-00-00	.TUBE	1	
29	663-83668-00-00	.NUT, NIPPLE	2	
30	90430-14115-00	.GASKET	1	
31	6Y7-83590-00-00	WATER TEMPERATURE ASSY	1	NOT SHOWN
31	6Y7-83590-10-00	WATER TEMPERATURE ASSY	1	NOT SHOWN



6P21110-D400
8-4-2010


Part List

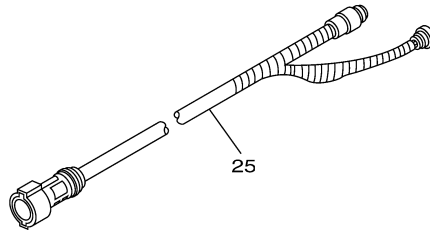
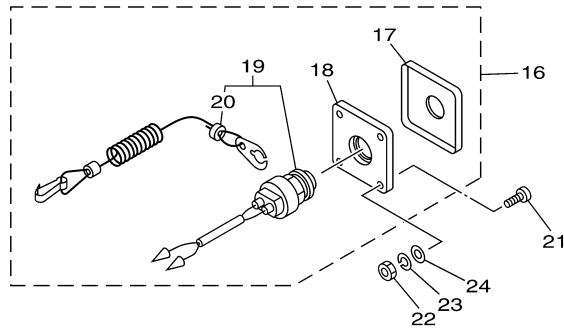
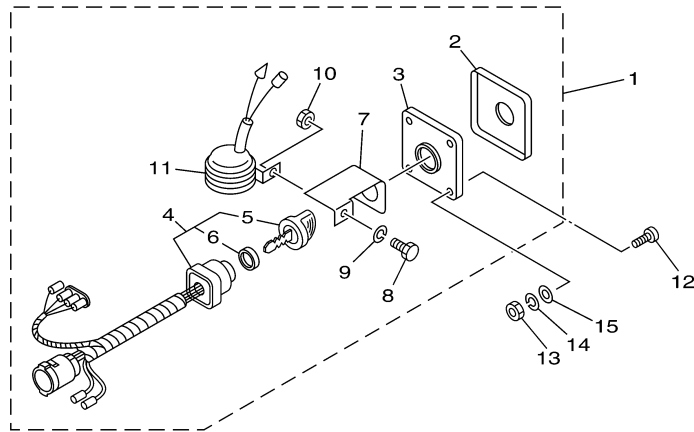
RIGGING 2005 2005 / ELECTRICAL SWITCH PANEL SINGLE

REF - NO	PART NUMBER	PART NAME	QUANTITY	REMARKS
1	704-82570-08-00	PANEL SWITCH ASSY	1	AP WITH CHOKE
2	704-82571-02-00	..PANEL, SWITCH	1	
3	6R5-82588-01-00PLATE	1	
4	704-82510-07-00	..MAIN SWITCH ASSY	1	
5	703-82577-00-00CAP, KEY	1	
6	6K1-82532-00-00CAP	1	
7	688-82575-01-00	..ENGINE STOP SWITCH ASSY	1	
8	682-82556-00-00	..LANYARD, STOP SWITCH	1	
9	663-82557-00-00	...NUT	1	
10	64D-82581-00-00	..STAY, CORD CLAMP	1	
11	97303-05012-00	..BOLT	1	
12	92903-05100-00	..WASHER, SPRING	1	
13	95303-05700-00	..NUT	1	
14	688-83383-11-00	..BUZZER	1	
15	90149-05M05-00	SCREW	4	AP
16	95380-05600-00	NUT	4	AP
17	92990-05100-00	WASHER, SPRING	4	AP
18	92990-05600-00	WASHER, PLATE	4	AP
19	6X3-8258A-10-00	EXTENSION, WIRE HARNESS (6M)	1	
19	6X3-8258A-00-00	EXTENSION, WIRE HARNESS (5M)	1	AP
19	61B-8258A-01-00	EXTENSION, WIRE HARNESS (9.5M)	1	
19	6K1-8258A-40-00	EXTENSION, WIRE HARNESS (8M)	1	AP

Part Notes

RIGGING 2005 2005 / ELECTRICAL SWITCH PANEL SINGLE

PART NUMBER	NOTE TEXT
682-82556-00-00 	OEM: This part number is among the Top 100 Most Popular Marine Maintenance Parts as of February 2013.



6P21110-D410


Part List

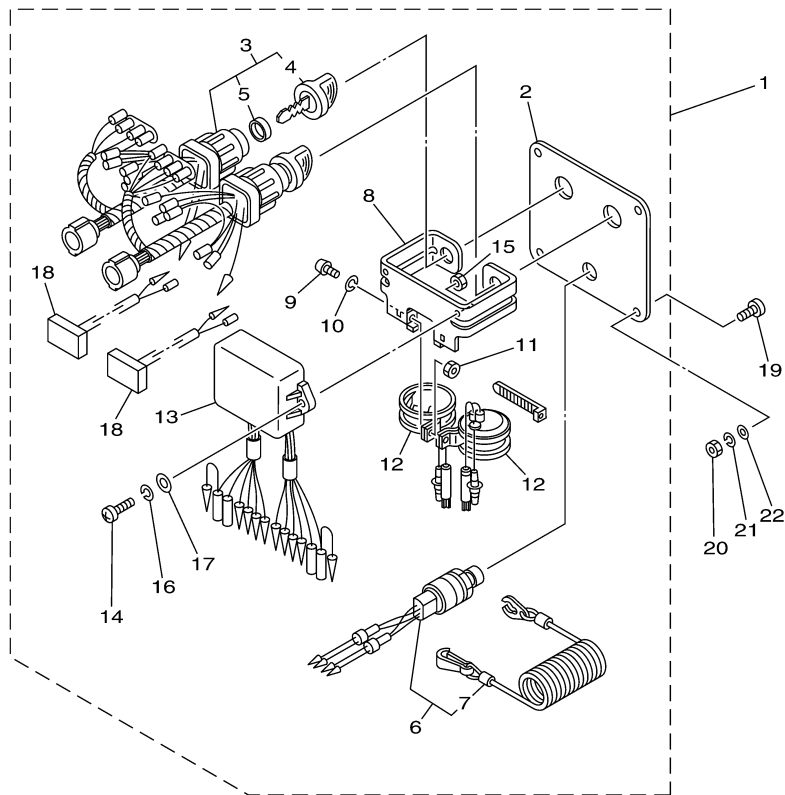
RIGGING 2005 2005 / ELECTRICAL SWITCH PANEL INDIVIDUAL

REF - NO	PART NUMBER	PART NAME	QUANTITY	REMARKS
1	64D-82570-03-00	PANEL SWITCH ASSY	1	AP WITH CHOKE
2	64D-82571-00-00	..PANEL, SWITCH	1	
3	64D-82588-00-00	..PLATE	1	
4	64D-82510-03-00	..MAIN SWITCH ASSY	1	
5	703-92577-00-00	...CAP, KEY	1	
6	6K1-82532-00-00	...CAP	1	
7	64D-82581-00-00	..STAY, CORD CLAMP	1	
8	97303-05012-00	..BOLT	1	
9	92903-05100-00	..WASHER, SPRING	1	
10	95303-05700-00	..NUT	1	
11	688-83383-11-00	..BUZZER	1	
12	90149-05M05-00	SCREW	4	AP
13	95380-05600-00	NUT	4	AP
14	92990-05100-00	WASHER, SPRING	4	AP
15	92990-05600-00	WASHER, PLATE	4	AP
16	64D-82570-10-00	PANEL SWITCH ASSY	1	AP
17	64D-82571-10-00	..PANEL, SWITCH	1	
18	64D-82588-10-00	..PLATE	1	
19	64D-82575-00-00	..ENGINE STOP SWITCH ASSY	1	
20	682-82556-00-00	..LANYARD, STOP SWITCH	1	
21	90149-05M05-00	SCREW	4	AP
22	95380-05600-00	NUT	4	AP
23	92990-05100-00	WASHER, SPRING	4	AP
24	92990-05600-00	WASHER, PLATE	4	AP
25	6X3-8258A-10-00	EXTENSION, WIRE HARNESS (6M)	1	AP
25	6X3-8258A-00-00	EXTENSION, WIRE HARNESS (5M)	1	AP
25	61B-8258A-01-00	EXTENSION, WIRE HARNESS (9.5M)	1	
25	6K1-8258A-40-00	EXTENSION, WIRE HARNESS (8M)	1	

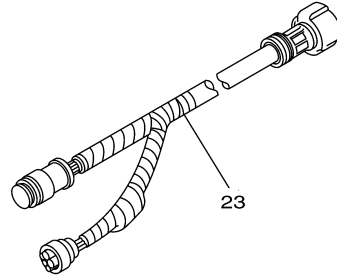
Part Notes

RIGGING 2005 2005 / ELECTRICAL SWITCH PANEL INDIVIDUAL

PART NUMBER	NOTE TEXT
682-82556-00-00 	OEM: This part number is among the Top 100 Most Popular Marine Maintenance Parts as of February 2013.




68V3300-C380





Part List

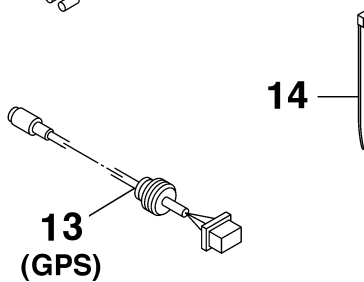
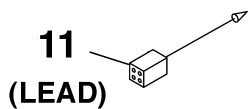
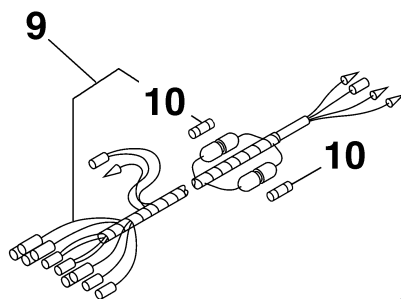
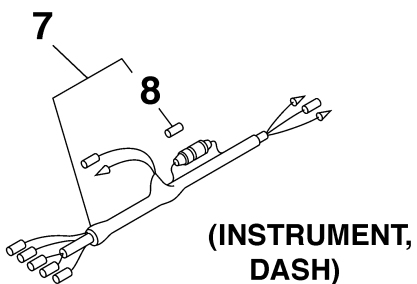
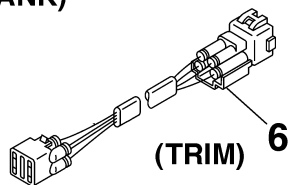
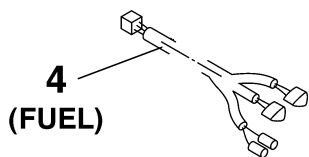
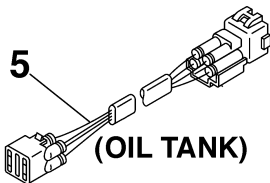
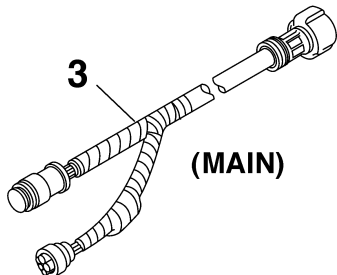
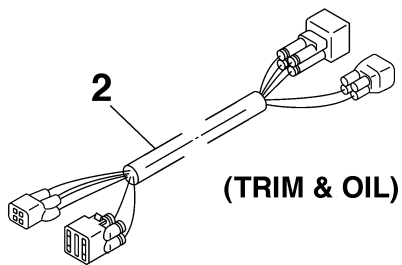
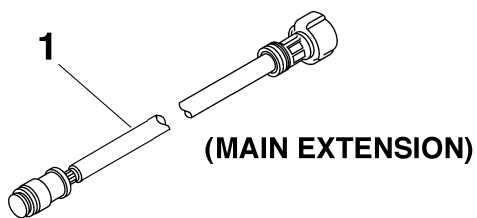
RIGGING 2005 2005 / ELECTRICAL SWITCH PANEL TWIN

REF - NO	PART NUMBER	PART NAME	QUANTITY	REMARKS
1	6K1-82570-08-00	PANEL SWITCH ASSY	1	AP WITH CHOKE
2	6K1-82571-02-00	..PLATE, PANEL SWITCH	1	
3	6K1-82510-06-00	..MAIN SWITCH ASSY	2	
4	703-82577-00-00CAP, KEY	1	
5	6K1-82532-00-00CAP	1	
6	6K1-82575-00-00	..ENGINE STOP SWITCH ASSY	1	
7	682-82556-00-00	..LANYARD, STOP SWITCH	1	
8	6K1-83614-01-00	..BRACKET	1	
9	98990-05010-00	..SCREW, BIND	2	
10	92990-05100-00	.WASHER, SPRING	2	
11	95380-05600-00	.NUT	2	
12	688-83383-11-00	..BUZZER	2	
13	6K1-85830-01-00	..CONTROL UNIT ASSY	1	
14	98980-06020-00	..SCREW, BIND	2	
15	95380-06600-00	.NUT, HEXAGON	2	
16	92990-06100-00	..WASHER, SPRING	2	
17	92990-06600-00	..WASHER, PLATE	2	
18	6K1-81980-00-00	..DIODE ASSY	2	
19	90149-05M05-00	SCREW	4	AP
20	95380-05600-00	NUT	4	AP
21	92990-05100-00	WASHER, SPRING	4	AP
22	92990-05600-00	WASHER, PLATE	4	AP
23	61B-8258A-01-00	EXTENSION, WIRE HARNESS (9.5M)	1	AP
23	6K1-8258A-40-00	EXTENSION, WIRE HARNESS (8M)	1	AP
23	6X3-8258A-10-00	EXTENSION, WIRE HARNESS (6M)	1	
23	6X3-8258A-00-00	EXTENSION, WIRE HARNESS (5M)	1	

Part Notes

RIGGING 2005 2005 / ELECTRICAL SWITCH PANEL TWIN

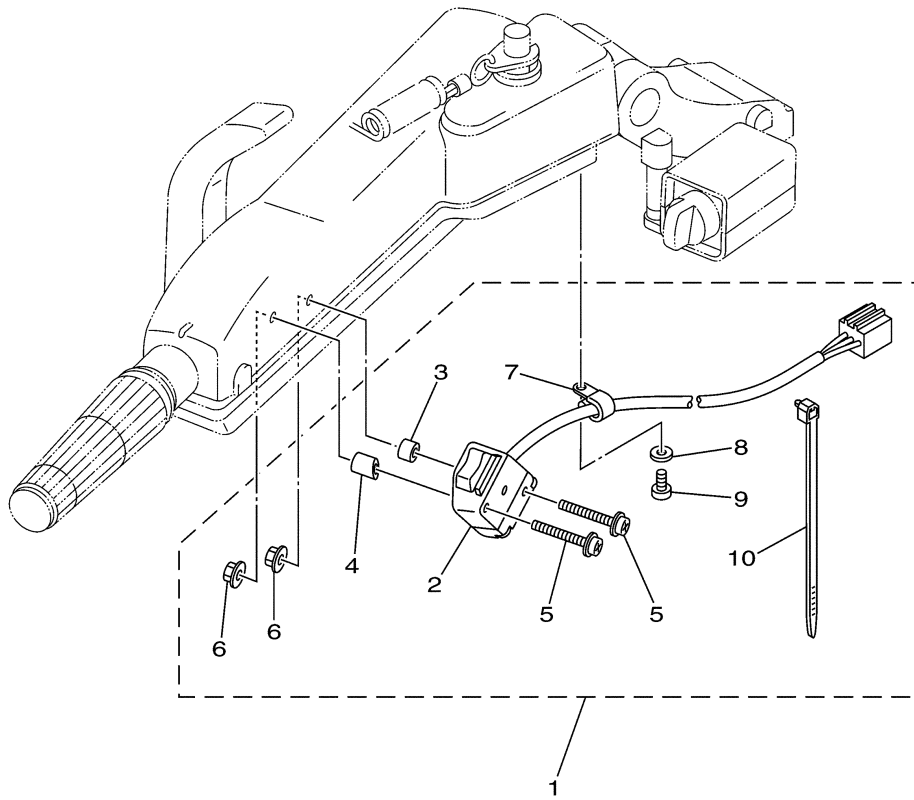
PART NUMBER	NOTE TEXT
682-82556-00-00 	OEM: This part number is among the Top 100 Most Popular Marine Maintenance Parts as of February 2013.
92990-06600-00 	OEM: This part number is among the Top 100 Most Popular Marine Maintenance Parts as of February 2013.



Part List

RIGGING 2005 2005 / ELECTRICAL WIRE HARNESSSES

REF - NO	PART NUMBER	PART NAME	QUANTITY	REMARKS
1	703-8258A-00-00	EXTENSION, WIRE HARNESS (0.5M)	1	7 TO 10P ADAPTER
1	688-8258A-30-00	EXTENSION, WIRE HARNESS (3M)	1	EXTENSION, MAIN
1	688-8258A-10-00	EXTENSION, WIRE HARNESS (2M)	1	EXTENSION, MAIN
1	688-8258A-20-00	EXTENSION, WIRE HARNESS (4.9M)	1	EXTENSION, MAIN
2	68F-82553-70-00	EXTENSION, WIRE LEAD (L=7.0M)	1	TRIM & OIL GAUGE
2	68F-82553-90-00	EXTENSION, WIRE LEAD (L=9.5M)	1	TRIM & OIL GAUGE
2	68F-82553-50-00	EXTENSION, WIRE LEAD (L=5.0M)	1	TRIM & OIL GAUGE
2	68F-82553-80-00	EXTENSION, WIRE LEAD (L=8.0M)	1	TRIM & OIL GAUGE
2	68F-82553-60-00	TRIM HARNESS 6M (20')	1	TRIM & OIL GAUGE
3	61B-8258A-01-00	EXTENSION, WIRE HARNESS (9.5M)	1	AP (10P)
3	6X3-8258A-10-00	EXTENSION, WIRE HARNESS (6M)	1	MAIN 10 PIN
3	6X3-8258A-00-00	EXTENSION, WIRE HARNESS (5M)	1	MAIN 10 PIN
3	688-8258A-40-00	EXTENSION, WIRE LEAD (8M)	1	AP (10P)
3	6K1-8258A-40-00	EXTENSION, WIRE HARNESS (8M)	1	MAIN 10 PIN
3	688-8258A-50-00	EXTENSION, WIRE HARNESS (5M)	1	MAIN 10 PIN
4	6Y5-83553-F1-00	WIRE, LEAD (L=8.0M)	1	AP
5	6R3-82553-70-00	EXTENSION, WIRE LEAD (L=7.0M)	1	AP RP, 7M
5	6R3-85721-80-00	WIRE, LEAD (L=8.0M)	1	OIL TANK
5	6R3-85721-30-00	WIRE, LEAD (L=3.0M)	1	OIL TANK
5	6R3-85721-50-00	WIRE, LEAD (L=5.0M)	1	OIL TANK
6	6R3-82521-70-00	WIRE, LEAD	1	AP 7M
6	6R3-82553-70-00	EXTENSION, WIRE LEAD (L=7.0M)	1	TRIM GAUGE
6	6R3-82553-50-00	EXTENSION, WIRE LEAD (L=5.0M)	1	TRIM GAUGE
6	6R3-82553-80-00	EXTENSION, WIRE LEAD (L=8.0M)	1	TRIM GAUGE
6	6R3-82553-30-00	EXTENSION, WIRE LEAD (L=3.0M)	1	TRIM GAUGE
7	6Y5-83553-20-00	WIRE, LEAD (L=2.5M)	1	
7	6H5-83553-12-00	WIRE, LEAD	1	AP
7	6Y5-83553-00-00	WIRE, LEAD (L=2.5M)	1	AP LF115
8	1E6-82151-00-00	.FUSE (10A)	1	FOR 6Y5-83553-00
9	6Y5-83553-N0-00	WIRE, LEAD (L=2.5M)	1	
9	6Y5-83553-M0-00	WIRE, LEAD (L=2.5M)	1	AP
9	6Y5-83553-00-00	WIRE, LEAD (L=2.5M)	1	AP
10	1E6-82151-00-00	.FUSE (10A)	1	
11	6Y5-82149-00-00	WIRE, LEAD (BLUE) (L300)	1	Y-LEAD
11	6Y5-82117-00-00	WIRE, LEAD (BLACK) (L300)	1	Y-LEAD
11	6Y5-82521-00-00	WIRE, LEAD (YELLOW)	1	Y-LEAD
12	703-82531-00-00	.WIRE, LEAD (L70)	1	AP
13	6Y5-97122-S0-00	.CORD ASSY 1	1	AP
13	6Y5-87122-S0-00	.CORD ASSY 1	1	
14	90450-11M10-00	CLAMP	2	AP

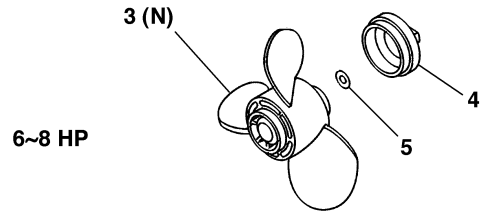
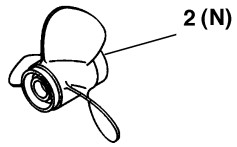
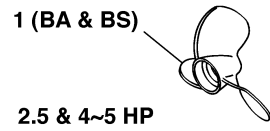


6C11010-D330

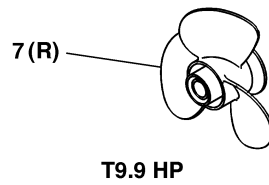
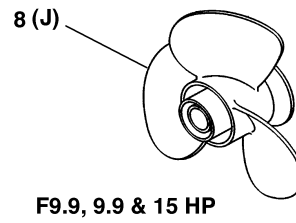
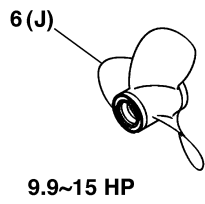
Part List

RIGGING 2005 2005 / TILLER SPEED SWITCH

REF - NO	PART NUMBER	PART NAME	QUANTITY	REMARKS
1	6C5-81860-00-00	SWITCH ASSY	1	
2	6C5-23448-00-00	.SPACER	1	
3	6C5-23448-10-00	.SPACER	1	
4	90159-06018-00	.SCREW, WITH WASHER	2	
5	95780-06300-00	.NUT, FLANGE	2	
6	90465-06M86-00	.CLAMP	2	
7	90201-06028-00	.WASHER, PLATE	2	
8	97885-06016-00	.SCREW, PAN HEAD	2	
9	90465-13M24-00	.CLAMP	4	
10	6C5-2819K-90-00	.MANUAL, SET-UP (NOT FOR SALE)	1	(NOT FOR SALE)



DUAL THRUST



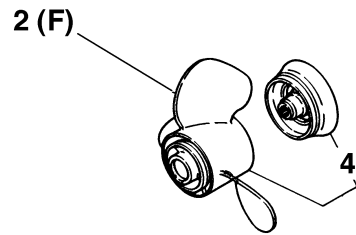
Part List

RIGGING 2005 2005 / PROPELLERS 2 THROUGH 15

REF - NO	PART NUMBER	PART NAME	QUANTITY	REMARKS
1	6L5-45945-00-EL	PROPELLER (3X7-1/4"X7-1/4"-BS)	1	F2.5
1	6L5-45947-00-EL	PROPELLER (3X7-1/4"X8-1/4"-BS)	1	F2.5
1	6E0-45943-01-EL	PROPELLER (3X7-1/2"X7"-BA)	1	F4
1	6E0-45941-01-EL	PROPELLER (3X7-1/2"X8"-BA)	1	F4
1	6L5-45949-00-EL	PROPELLER (3X7-1/4"X5"-BS)	1	F2.5
1	6L5-45952-00-EL	PROPELLER (3X7-1/4"X5-1/2"-BS)	1	F2.5
1	6E0-45945-01-EL	PROPELLER (3 X 7-1/4" X 7-1/2"-BA)	1	F4
2	6G1-45941-00-EL	PROPELLER (3X8-1/2"X8-1/2"-N)	1	F6, F8 & 8
2	6G1-45943-00-EL	PROPELLER (3X8-1/2"X7-1/2"-N)	1	F6, F8 & 8
2	6G1-45947-00-EL	PROPELLER (3X8-1/2"X6-1/2"-N)	1	F6, F8 & 8
2	6G1-45952-00-EL	PROPELLER (3X8-1/2"X8"-N)	1	F6, F8 & 8
2	6G8-45941-00-EL	PROPELLER (9-1/4" X 11-3/4"-R)	1	DUAL THRUST
3	6G1-W4591-01-EL	PROPELLER (3X9"X7"-N)	1	F6, F8 & 8 DUAL THRUST
4	6G1-45616-01-00	.NUT, PROPELLER	1	
5	90201-10M02-00	.WASHER, PLATE	1	
6	683-45947-00-EL	PROPELLER (3X9-1/4"X8"-J)	1	SEMI-WEEDLESS
6	683-45952-00-EL	PROPELLER (3X9-1/4"X9-3/4"-J)	1	
6	683-45945-00-EL	PROPELLER (3X9-1/4"X9"-J)	1	SEMI-WEEDLESS
6	683-45943-00-EL	PROPELLER (3X9-1/4"X10-1/2"-J)	1	
6	683-45941-00-EL	PROPELLER (3X9-1/4"X12"-J)	1	
6	63V-45943-00-EL	PROPELLER (3X9-1/4"X11"-J)	1	
6	63V-45945-00-EL	PROPELLER (3X9-1/4"X9"-J)	1	
6	63V-45947-00-EL	PROPELLER (3X9-1/4"X8"-J)	1	
7	69G-45941-00-EL	PROPELLER (3X11-3/4"X5-3/4"-R)	1	T8
8	683-W4591-02-EL	PROPELLER (3X9-3/4"X8"-J)	1	DUAL THRUST
8	683-W4592-02-EL	PROPELLER (3X9-3/4"X6-1/2"-J)	1	DUAL THRUST



25~30 HP

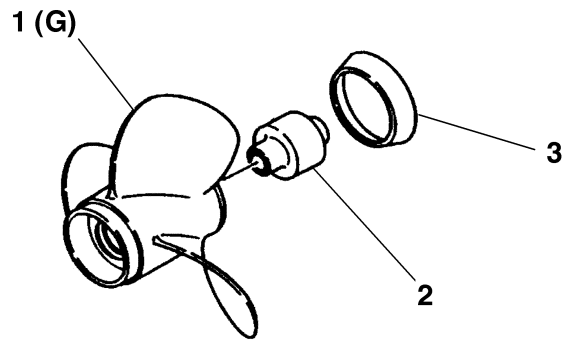


DUAL THRUST

Part List

RIGGING 2005 2005 / PROPELLERS 25 F25 THROUGH 30

REF - NO	PART NUMBER	PART NAME	QUANTITY	REMARKS
1	664-45941-01-EL	PROPELLER (3X9-7/8"X9"-F)	1	
1	664-45943-01-EL	PROPELLER (3X9-7/8"X8"-F)	1	
1	MAR-GYT3B-02-14	PROPELLER, POLISHED (14" X 10-1/8"-F)	1	
1	MAR-GYT3B-02-13	PROPELLER, POLISHED (13" X 10-1/8"-F)	1	
1	664-45945-00-EL	PROPELLER (3X9-7/8"X10- 1/2"-F)	1	
1	664-45947-01-EL	PROPELLER (3X9-7/8"X11- 1/4"-F)	1	
1	664-45949-02-EL	PROPELLER (3X9-7/8"X13"- F)	1	
1	664-45952-00-EL	PROPELLER (3X9-7/8"X14"- F)	1	
1	664-45970-00-98	PROPELLER (3X9-1/8"X13"- F)	1	WEEDLESS
1	664-45972-00-98	PROPELLER (3X9-1/8"X12"- F)	1	WEEDLESS
1	664-45954-01-EL	PROPELLER (3X9-7/8"X12"- F)	1	
1	MAR-GYT3B-02-12	PROPELLER, POLISHED (12" X 10-1/8"-F)	1	
2	6J8-W4591-00-EL	PROPELLER (3X10-5/8X8- 1/4-F)	1	DUAL THRUST
3	664-45981-01-00	.DAMPER, RUBBER PROP	1	USE WITH 6J8 AND 664 PROPELLERS
4	6J8-45986-10-98	.RING, DEFLECTOR	1	ALUMINUM PROPELLERS ONLY

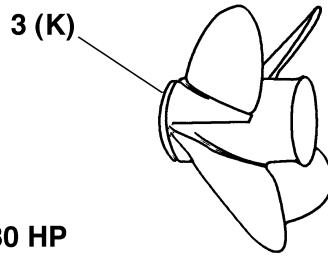
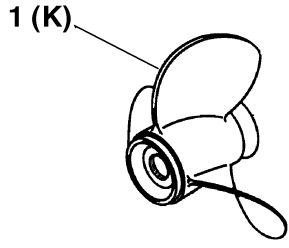


T25 & F30~60 HP

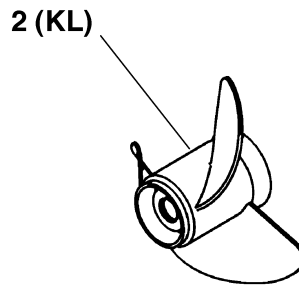
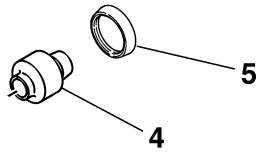
Part List

RIGGING 2005 2005 / PROPELLERS T25 THROUGH 60

REF - NO	PART NUMBER	PART NAME	QUANTITY	REMARKS
1	663-45941-01-EL	PROPELLER (3X10-3/4"X17"-G)	1	
1	6H5-45943-00-EL	PROPELLER (3X10"X15"-G)	1	LIP CUP
1	663-45978-60-98	PROPELLER, BLACK SS (16" X 10-1/4"-G)	1	
1	6H5-45945-00-EL	PROPELLER (3X10-3/8"X13"-G)	1	LIP CUP
1	663-45949-01-EL	PROPELLER (3X10-3/4"X16"-G)	1	
1	6H5-45952-00-EL	PROPELLER (3X10-5/8"X12"-G)	1	LIP CUP
1	663-45956-01-EL	PROPELLER (3X12-1/4"X9"-G)	1	
1	6H5-45958-00-EL	PROPELLER (3X10-1/4"X14"-G)	1	LIP CUP
1	663-45970-60-98	PROPELLER (3X11-3/4"X12"-G)	1	
1	663-45972-60-98	PROPELLER (3X12"X11"-G)	1	
1	663-45974-60-98	PROPELLER (3X11-1/2"X13"-G)	1	
1	663-45958-01-EL	PROPELLER (3X11-1/4"X14"-G)	1	
1	68U-45941-00-EL	PROPELLER (3X12-1/4"X9"-G)	1	STD T25 DUAL THRUST
1	69W-45943-00-EL	PROPELLER (3X11"X15"-G)	1	
1	69W-45945-00-EL	PROPELLER (3X11-1/8"X13"-G)	1	
1	69W-45947-00-EL	PROPELLER (3X11-5/8"X11"-G)	1	
1	69W-45952-00-EL	PROPELLER (3X11-3/8"X12"-G)	1	
1	MAR-GYT3B-03-13	PROPELLER, POLISHED (13" X 10"-G)	1	
1	MAR-GYT3B-03-15	PROPELLER, POLISHED (15" X 10"-G)	1	
1	663-45930-60-98	PROPELLER, BLACK SS (14" X 10-1/4"-G)	1	
1	663-45976-60-98	PROPELLER, BLACK SS (15" X 10-1/4"-G)	1	
2	663-45981-10-00	.DAMPER, PROPELLER	1	
3	663-45986-00-94	.RING, DEFLECTOR	1	ALUMINUM PROPELLERS ONLY



T50~130 HP

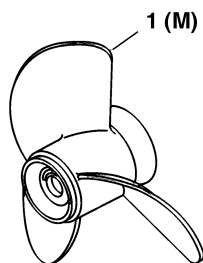


L115 HP

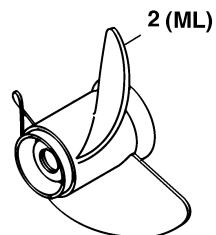
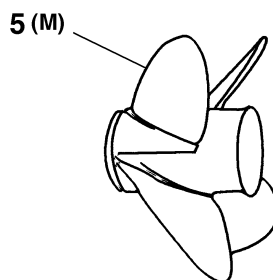
Part List

RIGGING 2005 2005 / PROPELLERS T50 THOUGH F L115

REF - NO	PART NUMBER	PART NAME	QUANTITY	REMARKS
1	6E5-45941-00-EL	PROPELLER (3X13"X19"-K)	1	
1	6E5-45943-00-EL	PROPELLER (3X12-5/8"X21"-K)	1	
1	MAR-GYT3B-V4-24	PROPELLER, 3 BLADE (13-1/3" X 24"-M)	1	
1	MAR-GYT3B-V4-22	PROPELLER, 3 BLADE (13-1/4" X 22"-M)	1	
1	MAR-GYT3B-V4-20	PROPELLER, 3 BLADE (13-1/4" X 20"-M)	1	
1	MAR-GYT3B-V4-18	PROPELLER, 3 BLADE (13-1/4" X 18"-M)	1	
1	68S-45941-00-EL	PROPELLER (3X14"X11"-K)	1	DUAL THRUST
1	62A-45974-10-00	PROPELLER (3X13-1/2"X19"-K)	1	HIGH PERFORMANCE
1	62A-45972-10-00	PROPELLER (3X13-1/2"X23"-K)	1	HIGH PERFORMANCE
1	62A-45970-10-00	PROPELLER (3X13-1/2"X21"-K)	1	HIGH PERFORMANCE
1	688-45930-02-98	PROPELLER (3X13"X17"-K)	1	
1	6E5-45956-00-EL	PROPELLER (3X13"X25"-K)	1	
1	688-45976-01-98	PROPELLER (3X13"X25"-K)	1	
1	6E5-45945-01-EL	PROPELLER (3X13-1/4"X17"-K)	1	
1	6E5-45947-00-EL	PROPELLER (3X13-1/2"X15"-K)	1	
1	6E5-45949-00-EL	PROPELLER (3X13-5/8"X13"-K)	1	
1	688-45970-03-98	PROPELLER (3X13"X19"-K)	1	
1	688-45972-02-98	PROPELLER (3X13"X21"-K)	1	
1	688-45974-02-98	PROPELLER (3X13"X23"-K)	1	
1	688-45978-60-98	PROPELLER (3X13-1/2"X16"-K)	1	
1	688-45932-60-98	PROPELLER (3X13-1/2"X14"-K)	1	
1	6E5-45952-00-EL	PROPELLER (3X13"X23"-K)	1	
1	6E5-45954-00-EL	PROPELLER (3X14"X11"-K)	1	
2	MAR-GYT3B-LB-18	PROPELLER, PERFORMANCE 3 BLADE (18 X 13-1/4"-KL)	1	
2	MAR-GYT3B-LB-20	PROPELLER, PERFORMANCE 3 BLADE (20 X 13-1/4"-KL)	1	
2	MAR-GYT3B-LB-22	PROPELLER, PERFORMANCE 3 BLADE (22 X 13-1/4"-KL)	1	
2	6L6-45970-00-98	PROPELLER (3X13"X19"-KL)	1	
2	6L6-45930-00-98	PROPELLER, BLACK SS (17 X 13"-KL)	1	
2	6L6-45972-00-98	PROPELLER (3X13"X21"-KL)	1	
3	MAR-GYT4B-V4-20	PROPELLER, PERFORMANCE 4 BLADE (20 X 13-1/4"-K)	1	MAY REQUIRE TRIM TAB 6E5-45371-10-00
3	MAR-GYT4B-V4-22	PROPELLER, PERFORMANCE 4 BLADE (22 X 13-1/4"-K)	1	MAY REQUIRE TRIM TAB 6E5-45371-10-00
3	MAR-GYT4B-V4-23	PROPELLER, PERFORMANCE 4 BLADE (23 X 13-1/4"-K)	1	MAY REQUIRE TRIM TAB 6E5-45371-10-00
3	MAR-GYT4B-V4-18	PROPELLER, PERFORMANCE 4 BLADE (18 X 13-1/4"-K)	1	MAY REQUIRE TRIM TAB 6E5-45371-10-00
4	688-45981-00-00	.DAMPER, PROPELLER	1	
5	688-45986-00-94	.RING, DEFLECTOR	1	ALUMINUM PROPELLERS ONLY

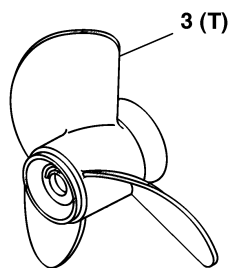


150~225 HP

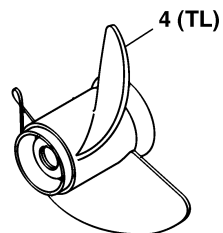


L150~225 HP

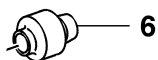
NOTE: WHEN USING RIGHT (M OR T) AND LEFT (ML OR TL) PROPELLERS, USE WITH 6G5 WITH 6K1, 6R4 WITH 6R1, 61A WITH 61B, 6D0 WITH 6D1 AND MAR-GYT3B-V6 WITH-L6, AS A SET.



200~300 HP



L 200~300 HP



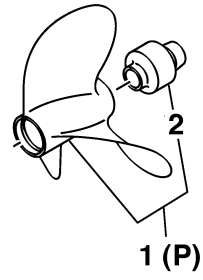
Part List

RIGGING 2005 2005 / PROPELLERS 150 THROUGH 300

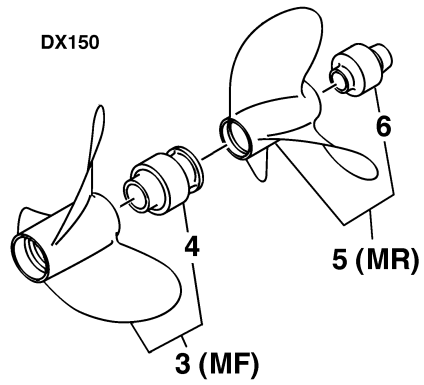
REF - NO	PART NUMBER	PART NAME	QUANTITY	REMARKS
1	6G5-45941-00-98	PROPELLER (3X15-1/4"X15"-M)	1	
1	MAR-GYT3B-V6-26	PROPELLER, 3 BLADE (13-1/4" X 26"-M)	1	
1	6G5-45949-00-98	PROPELLER (3X13-1/2"X23"-M)	1	
1	6G5-45972-02-98	PROPELLER (3X13-3/4"X21"-M)	1	
1	6G5-45976-01-98	PROPELLER (3X13-3/8"X23"-M)	1	
1	6G5-45952-00-98	PROPELLER (3X14-5/8"X16"-M)	1	
1	6G5-45947-01-98	PROPELLER (3X14-1/2"X17"-M)	1	
1	6G5-45970-02-98	PROPELLER (3X15-1/4"X15"-M)	1	
1	6G5-45932-00-98	PROPELLER (3X15-3/4"X13"-M)	1	
1	6G5-45974-03-98	PROPELLER (3X13-3/4"X19"-M2)	1	
1	6G5-45978-03-98	PROPELLER (3X13-3/4"X17"-M2)	1	
1	6G5-45943-01-98	PROPELLER (3X13-3/4"X21"-M)	1	
1	6R4-45976-A0-00	PROPELLER (3X14-1/2"X15"-M)	1	
1	6R4-45978-A0-00	PROPELLER (3X15-1/4"X17"-M)	1	
1	6R4-45970-A0-00	PROPELLER (3 X15-1/4" X19"R-M)	1	
1	6R4-45972-A0-00	PROPELLER (3X14-7/8"X21"-M)	1	
1	6R4-45974-A0-00	PROPELLER (3X14-1/2"X23"-M)	1	
1	66K-45972-B0-00	PROPELLER (3X14-1/2"X25"-M2)	1	
1	66K-45970-B0-00	PROPELLER (3X14-1/2"X27"-M1)	1	
1	6J9-45976-10-00	PROPELLER (3X14-1/2"X21"-M1)	1	
1	66K-45974-B0-00	PROPELLER (3X14-1/2"X23"-M2)	1	
1	MAR-GYT3B-V6-16	PROPELLER, 3 BLADE (13-1/4" X 16"-M)	1	
1	MAR-GYT3B-V6-18	PROPELLER, 3 BLADE (13-1/4" X 18"-M)	1	
1	MAR-GYT3B-V6-20	PROPELLER, 3 BLADE (13-1/4" X 20"-M)	1	
1	MAR-GYT3B-V6-22	PROPELLER, 3 BLADE (13-1/4" X 22"-M)	1	
1	MAR-GYT3B-V6-24	PROPELLER, 3 BLADE (13-1/3" X 24"-M)	1	
1	6G5-45945-01-98	PROPELLER (3X14"X19"-M)	1	
2	6K1-45972-01-98	PROPELLER (3X13-3/4"X21"-ML)	1	
2	6K1-45970-01-98	PROPELLER (3X15-1/4"X15"-ML)	1	
2	6K1-45974-02-98	PROPELLER (3X13-3/4"X19"-ML1)	1	
2	6K1-45978-02-98	PROPELLER (3X13-3/4"X17"-ML1)	1	
2	6K1-45947-00-98	PROPELLER (3X14-1/2"X17"-ML)	1	

2	6K1-45945-00-98	PROPELLER (3X14"X19"-ML)	1	
2	6R1-45976-A0-00	PROPELLER (3X15-1/4"X15"-ML)	2	
2	6R1-45978-A0-00	PROPELLER (3X15-1/4"X17"-ML)	2	
2	6R1-45970-A0-00	PROPELLER, SS (3 X 15-1/4" X 19"-ML)	1	
2	6R1-45972-A0-00	PROPELLER (3X14-7/8"X21"-ML)	1	
2	6R1-45974-A0-00	PROPELLER (3X14-1/2"X23"-ML)	1	
2	6K1-45976-00-98	PROPELLER (3X13-3/8"X23"-ML)	1	
2	MAR-GYT3B-L6-18	PROPELLER, 3 BLADE L (14-1/4" X 18" V6-ML)	2	
2	MAR-GYT3B-L6-20	PROPELLER, 3 BLADE L (14-1/4" X 20" V6-ML)	2	
2	MAR-GYT3B-L6-22	PROPELLER, 3 BLADE L (14-1/4" X 22" V6-ML)	2	
3	61A-45974-00-98	PROPELLER (3X14-1/2"X19"-T)	1	
3	61A-45978-00-98	PROPELLER (3X15"X17"-T)	1	
3	61A-45972-00-98	PROPELLER (3X14-1/2"X21"-T)	1	
3	69L-45974-10-00	PROPELLER, VX MAX (14-1/2" X 23"-T)	1	
3	69L-45976-10-00	PROPELLER, VX MAX (14-3/4" X 29"-T)	1	
3	69L-45970-20-00	PROPELLER (3X15-1/8"X27"-T1)	1	
3	6D0-45976-00-00	PROPELLER (3 X 15-34" X 15-T)	1	
3	6D0-45970-00-00	PROPELLER (3X15-1/4"X19"-T)	1	
3	6D0-45972-00-00	PROPELLER (3X15"X21"-T)	1	
3	6D0-45978-00-00	PROPELLER (3X15-1/2"X17"-T)	1	
3	MAR-GYT3B-XL-25	PROPELLER (14-5/8" X 25-T)	1	
3	MAR-GYT3B-XL-27	PROPELLER (14-5/8" X 27-T)	1	
3	69L-45972-20-00	PROPELLER (3X15-1/8"X25"-T1)	1	
4	61B-45974-00-98	PROPELLER (3X14-1/2"X19"-TL)	1	
4	61B-45978-00-98	PROPELLER (3X15"X17"-TL)	1	
4	6D1-45976-00-00	PROPELLER (3 X 15-34" X 15"-TL)	1	
4	6D1-45978-00-00	PROPELLER (3X15-1/2"X17"-TL)	1	
4	6D1-45972-00-00	PROPELLER (3X15"X21"-TL)	1	
4	6D1-45970-00-00	PROPELLER (3X15-1/4"X19"-TL)	1	
4	61B-45972-00-98	PROPELLER (3X14-1/2"X21"-TL)	1	
5	MAR-GYT4B-V6-18	PROPELLER, 4 BLADE (13-3/4" X 18 V6-M)	1	
5	MAR-GYT4B-V6-20	PROPELLER, 4 BLADE (13-3/4" X 20 V6-M)	1	
5	MAR-GYT4B-V6-22	PROPELLER, 4 BLADE (13-3/4" X 22 V6-M)	1	
5	MAR-GYT4B-V6-26	PROPELLER, 4 BLADE (13-3/4" X 26 V6-M)	1	
5	MAR-GYT4B-V6-23	PROPELLER, 4 BLADE (13-3/4" X 23 V6-M)	1	
5	MAR-GYT4B-V6-25	PROPELLER, 4 BLADE (13-3/4" X 25 V6-M)	1	
5	MAR-GYT4B-V6-24	PROPELLER, 4 BLADE (13-3/4" X 24 V6-M)	1	
6	61A-45981-00-00	.DAMPER RUBBER,	1	FOR ALL ALUMINUM 6E5, 688, 6L6 & 6G5 PROPELLERS

		PROPELLER		
6	6G5-45981-00-00	.DAMPER RUBBER, PROPELLER	1	FOR 66K, 6R1, 6R4, 61A, 61B, 69L, 6D0, 6D1 & 6G5



70~225 SPECIAL HP
HIGH PERFORMANCE



D/DX150 HP

Part List

RIGGING 2005 2005 / PROPELLERS SPECIAL

REF - NO	PART NUMBER	PART NAME	QUANTITY	REMARKS
1	6E5-45978-10-00	PROPELLER (3X14"X26"-P)	1	SATIN
1	6E5-45972-10-00	PROPELLER (3X14"X24"-P)	1	SATIN
1	6E5-45976-10-00	PROPELLER (3X14"X22"-P)	1	SATIN
2	6G5-45981-00-00	.DAMPER RUBBER, PROPELLER	1	
3	65N-45945-00-00	PROPELLER, FRONT (27" X 14"-MF)	1	D/DX150 FRONT
3	65N-45941-00-00	PROPELLER, FRONT (25" X 14"-MF)	1	D/DX150 FRONT
3	MAR-TRP14-19-F3	PROPELLER, FRONT (19" X 14"-MF)	1	D/DX150 FRONT
3	MAR-TRP14-21-F3	PROPELLER, FRONT (21" X 14"-MF)	1	D/DX150 FRONT
4	65N-45981-00-00	.DAMPER RUBBER, PROPELLER	1	D/DX150 FRONT
5	65N-45943-00-00	PROPELLER, REAR (25" X 13"-MR)	1	D/DX150 REAR
5	65N-45947-00-00	PROPELLER, REAR (27" X 13"-MR)	1	D/DX150 REAR
5	MAR-TRP13-19-F3	PROPELLER, REAR (29" X 13"-MR)	1	D/DX150 REAR
5	MAR-TRP21-19-F3	PROPELLER, REAR (21" X 13"-MR)	1	D/DX150 REAR
6	6G5-45981-00-00	.DAMPER RUBBER, PROPELLER	1	D/DX150 REAR