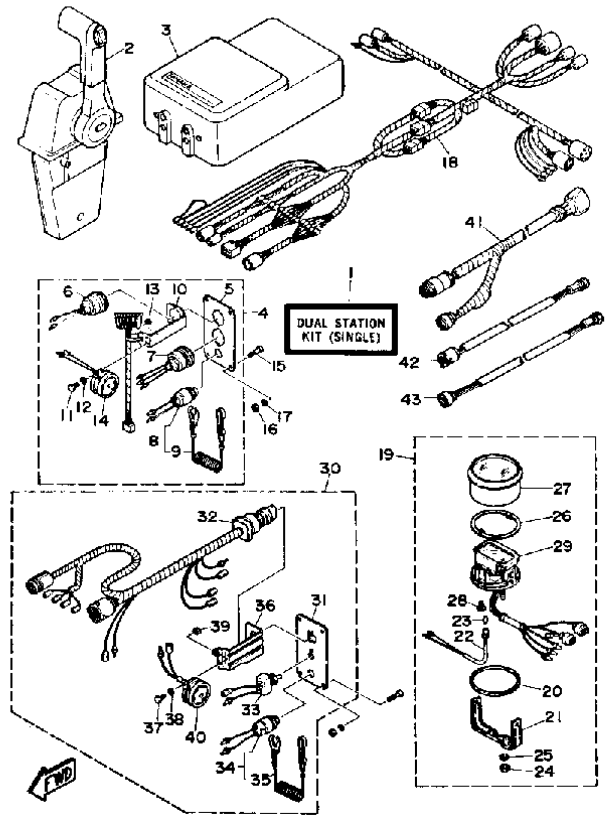


DUAL STATION KI



Ref. No.	Part Number	
1	6X1-W0006-00-00	DU
* 2	704-48205-12-00	REI
* 3	6X1-48208-00-00	JUI
* 4	6X1-82570-00-00	PAI
* 5	6X1-82571-00-00	. P
* 6	6X1-81870-00-00	. S
* 7	6X1-82550-00-00	. EI
8	688-82575-01-00	. EI
9	682-82556-00-00	. . .
* 10	6X1-82581-00-00	. S
11	97303-05012-00	. BI
12	92990-05100-00	. W
13	95303-05700-00	. N
14	688-83383-11-00	. BI
15	90149-05M05-00	SC
16	95380-05600-00	NU
17	92990-05100-00	WA
* 18	6X1-8258A-00-00	EX
19	6Y5-83500-02-00	ME
20	6Y5-8353J-00-00	. G
21	6Y5-8355X-00-00	. BI

*Indicates new part numbers


Part List

DUAL_STATION_1989 1989 / DUAL STATION KIT (SINGLE)

REF - NO	PART NUMBER	PART NAME	QUANTITY	REMARKS
1	6X1-W0006-01-00	DUAL STATION KT (S) (SINGLE)	1	
2	704-48205-13-00	REMOTE CONTROL ASSY, SNG BINN	1	
3	6X1-48208-01-00	JUNCTION BOX ASSEMBLY	1	
4	6X1-82570-00-00	PANEL SWITCH ASSY	1	
5	6X1-82571-00-00	.PANEL, SWITCH	1	
6	6X1-81870-00-00	.STARTING SWITCH ASSY	1	
7	6X1-82550-00-00	.ENGINE STOP SWITCH ASSY	1	
8	688-82575-01-00	.ENGINE STOP SWITCH ASSY	1	
9	682-82556-00-00	..LANYARD, STOP SWITCH	1	
10	6X1-82581-00-00	.STAY, CORD CLAMP	1	
11	97080-05012-00	.BOLT	1	
12	92990-05100-00	.WASHER, SPRING	1	
13	95303-05700-00	.NUT	1	
14	688-83383-11-00	.BUZZER	1	
15	90149-05M05-00	SCREW	4	
16	95380-05600-00	NUT	4	
17	92990-05100-00	WASHER, SPRING	4	
18	6X1-8258A-00-00	EXT, WIRE HARNESS SWIRE HARNESS	1	
19	6Y5-83500-03-00	LCD TACH-TRIM-OIL	1	
20	6Y5-8353J-00-00	.GASKET, UPPER	1	
21	6Y5-8355X-00-00	.BRACKET, METER 1	1	
22	6Y5-83586-00-00	.SOCKET ASSY	1	
23	10L-83517-00-00	.BULB (12V 2W)	1	
24	95301-04600-00	.NUT	2	
25	92901-04100-00	.WASHER, SPRING	2	
26	6Y5-83589-00-00	.GASKET	1	
27	6Y5-8350A-00-00	.LCD METER ASSEMBLY	1	
28	90164-03016-00	.SCREW, TAPPING	2	
29	6Y5-8357J-01-00	.DISPLAY UNIT	1	
30	704-82570-02-00	PANEL SWITCH ASSEMBLY	1	
31	689-82571-02-00	.PANEL, SWITCH	1	
32	704-82510-02-00	.MAIN SWITCH ASSY	1	
33	6K1-82574-00-00	.SWITCH, CHOKE	1	
34	688-82575-01-00	.ENGINE STOP SWITCH ASSY	1	
35	682-82556-00-00	..LANYARD, STOP SWITCH	1	
36	704-82581-00-00	.STAY, CORD CLAMP	1	
37	97080-05012-00	.BOLT	1	
38	92990-05100-00	.WASHER, SPRING	1	
39	95303-05700-00	.NUT	1	
40	688-83383-11-00	.BUZZER	1	
41	6K1-8258A-40-00	EXTENSION, WIRE HARNESS (8M)	1	
42	6E5-82521-10-00	EXT, HRN.OIL IND.LG	1	
43	6E5-82553-20-00	EXTENSION, WIRE LEAD	1	

Part Notes

DUAL_STATION_1989 1989 / DUAL STATION KIT (SINGLE)

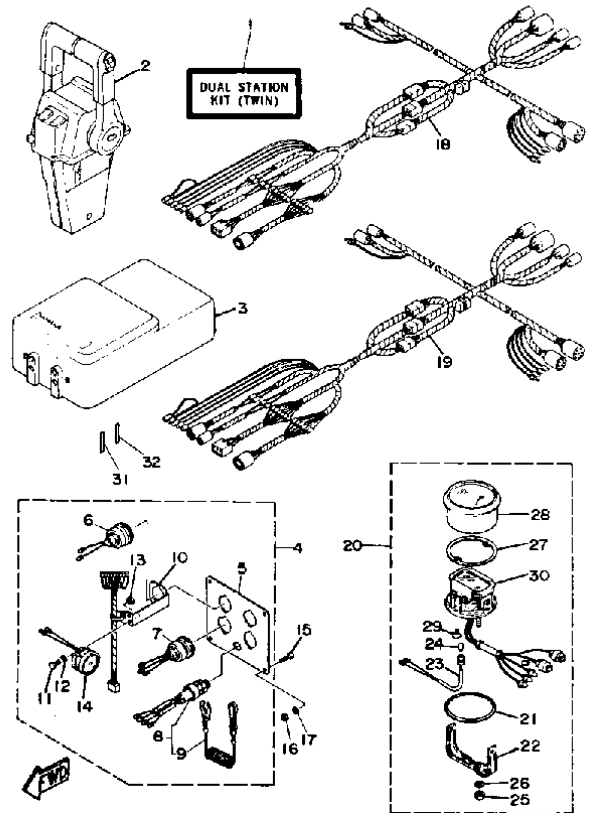
PART NUMBER	NOTE TEXT
682-82556-00-00 	OEM: This part number is among the Top 100 Most Popular Marine Maintenance Parts as of February 2013.

682-82556-00-00



OEM: This part number is among the Top 100 Most Popular Marine Maintenance Parts as of February 2013.

DUAL STATION KIT (T



Ref. No.	Part Number	
1	6X1-W0006-10-00	DUAL S
* 2	704-48207-21-00	REMOT
* 3	6X1-48208-00-00	JUNCTI
* 4	6X1-82570-10-00	PANEL
* 5	6X1-82571-10-00	. PANEI
* 6	6X1-81870-00-00	. STAR
* 7	6X1-82550-00-00	. ENGIN
8	6K1-82575-00-00	. ENGIN
9	682-82556-00-00	. . STO
*10	6X1-82581-00-00	. STAY,
11	97303-05012-00	. BOLT
12	92990-05100-00	. WASH
13	95303-05700-00	. NUT .
14	688-83383-11-00	. BUZZI
15	90149-05M05-00	SCREW
16	95380-05600-00	nut...

*Indicates new part numbers activ


Part List

DUAL_STATION_1989 1989 / DUAL STATION KIT (TWIN)

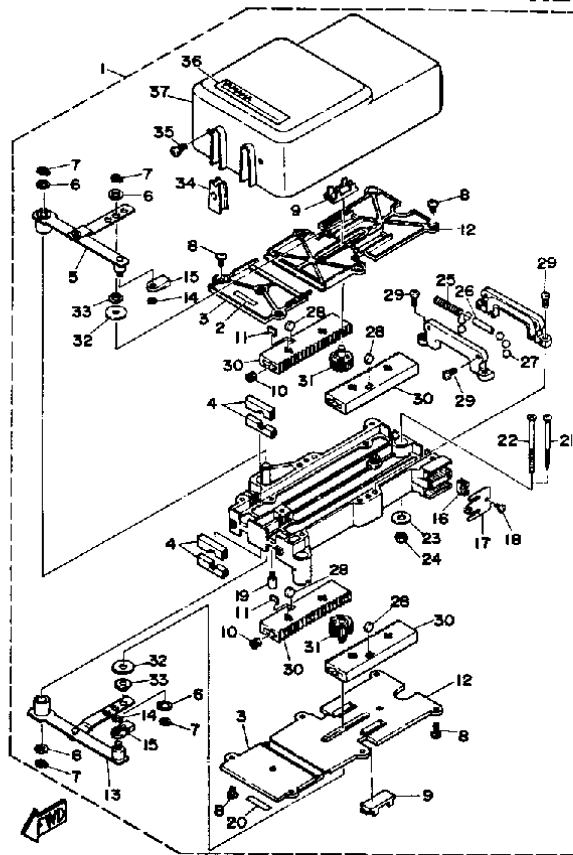
REF - NO	PART NUMBER	PART NAME	QUANTITY	REMARKS
1	6X1-W0006-11-00	DUAL STATION KT (T) (TWIN)	1	
2	704-48207-21-00	DUAL BINN W/PTT	1	
3	6X1-48208-01-00	JUNCTION BOX ASSEMBLY	2	
4	6X1-82570-10-00	PANEL SWITCH ASSY	1	
5	6X1-82571-10-00	.PANEL, SWITCH	1	
6	6X1-81870-00-00	.STARTING SWITCH ASSY	2	
7	6X1-82550-00-00	.ENGINE STOP SWITCH ASSY	2	
8	6K1-82575-00-00	.ENGINE STOP SWITCH ASSY	1	
9	682-82556-00-00	..LANYARD, STOP SWITCH	1	
10	6X1-82581-00-00	.STAY, CORD CLAMP	2	
11	97080-05012-00	.BOLT	2	
12	92990-05100-00	.WASHER, SPRING	2	
13	95303-05700-00	.NUT	2	
14	688-83383-11-00	.BUZZER	2	
15	90149-05M05-00	SCREW	4	
16	95380-05600-00	NUT	4	
17	92990-05100-00	WASHER, SPRING	4	
18	6X1-8258A-00-00	EXT, WIRE HARNESS SWIRE HARNESS	1	
19	6X1-8258A-10-00	EXT, WIRE HARNESS TWIRE HARNESS	1	
20	6Y5-83500-03-00	LCD TACH-TRIM-OIL	2	
21	6Y5-8353J-00-00	.GASKET, UPPER	1	
22	6Y5-8355X-00-00	.BRACKET, METER 1	1	
23	6Y5-83586-00-00	.SOCKET ASSY	1	
24	10L-83517-00-00	.BULB (12V 2W)	1	
25	95301-04600-00	.NUT	2	
26	92901-04100-00	.WASHER, SPRING	2	
27	6Y5-83589-00-00	.GASKET	1	
28	6Y5-8350A-00-00	.LCD METER ASSEMBLY	1	
29	90164-03016-00	.SCREW, TAPPING	2	
30	6Y5-8357J-01-00	.DISPLAY UNIT	1	
31	6X1-83621-00-00	MARK 1	1	
32	6X1-83622-00-00	MARK, 2	1	

Part Notes

DUAL_STATION_1989 1989 / DUAL STATION KIT (TWIN)

PART NUMBER	NOTE TEXT
682-82556-00-00 	OEM: This part number is among the Top 100 Most Popular Marine Maintenance Parts as of February 2013.

REMOTE CONTROL AS



Ref. No.	Part Number	
* 1	6X1-48208-00-00	JL
* 2	6X1-48125-00-00	. P
* 3	6X1-48229-00-00	. C
* 4	6X1-48331-00-00	. P
* 5	6X1-48271-00-00	. J
* 6	6X1-48288-00-00	. V
7	EL8-48259-00-00	. C
8	EL8-48127-00-00	. S
* 9	6X1-48138-00-00	. C
* 10	6X1-48333-00-00	. C
* 11	6X1-48354-00-00	. S
* 12	6X1-48235-00-00	. C
* 13	6X1-48261-00-00	. J
14	93430-06024-00	. C
15	703-48345-01-00	. C
* 16	6X1-48361-00-00	. P
* 17	6Z1-48147-00-00	. P
18	98580-05010-00	. S

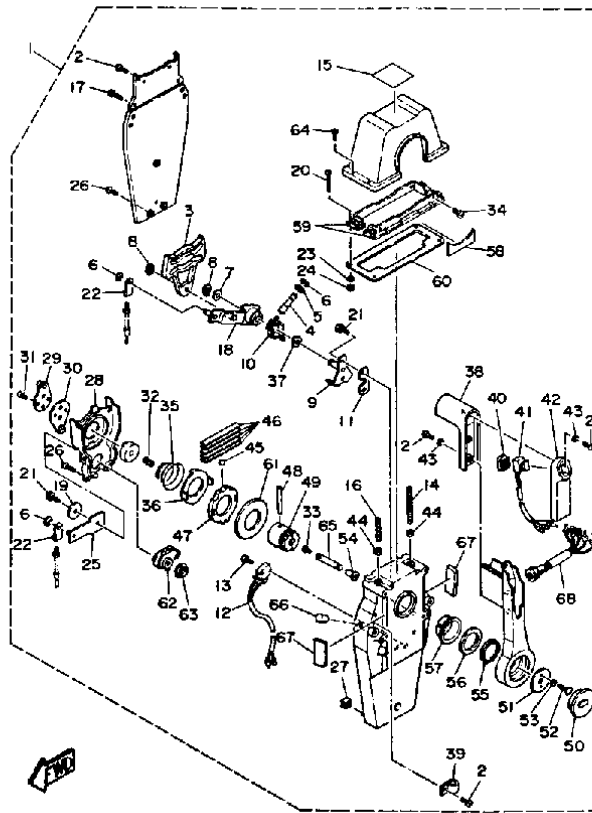
*Indicates new part numbers

Part List

DUAL_STATION_1989 1989 / REMOTE CONTROL ASSEMBLY 1

REF - NO	PART NUMBER	PART NAME	QUANTITY	REMARKS
1	6X1-48208-01-00	JUNCTION BOX ASSEMBLY	1	
2	6X1-48125-00-00	.MARK	1	
3	6X1-48229-00-00	.COVER	2	
4	6X1-48331-00-00	.HOOK, CABLE	8	
5	6X1-48271-00-00	.ARM, SHIFT	1	
6	(702-48288-00-00)	WASHER, PLAIN	4	
7	EL8-48259-00-00	.CIRCLIP 1	6	
8	EL8-48127-00-00	.SCREW 1	13	
9	6X1-48138-00-00	.CAP, LOCK ARM	4	
10	6X1-48333-00-00	.CABLE END(10-32UNF)	4	
11	6X1-48354-00-00	.SET-PLATE, CABLE	4	
12	6X1-48235-00-00	.COVER 1	2	
13	6X1-48261-00-00	.ARM, THROTTLE	1	
14	93430-06024-00	.CIRCLIP	4	
15	703-48345-01-00	.CABLE END, REMOTE CONTROL 2	2	
16	6X1-48361-00-00	.HOOK, CABLE	4	
17	6Z1-48147-00-00	.UNAVAILABLE IN PRICE BOOK	1	
18	98580-05010-00	.SCREW, PAN HEAD	2	
19	6X1-48163-00-00	.PIN 1	2	
20	6X1-48126-00-00	.GRAPHIC	1	
21	702-48280-00-00	.SCREW	3	
22	703-48291-10-00	.SCREW (M6)	3	
23	701-48287-00-00	.WASHER	3	
24	95380-06600-00	.NUT, HEXAGON	3	
25	6X1-48158-00-00	.SPRING 1	1	
26	6X1-48164-00-00	.PIN 2	1	
27	6X1-48237-00-00	.BALL, DETENT	6	
28	6X1-48236-00-00	.ROLLER, DETENT	6	
29	6X1-48281-00-00	.SCREW(M5X08X12)	6	
30	6X1-48232-00-00	.GEAR	4	
31	6X1-48233-00-00	.GEAR 2	2	
32	6X1-48287-00-00	.WASHER	2	
33	6X1-48234-00-00	.BUSHING 1	2	
34	6X1-48167-00-00	.PLUG	3	
35	704-48282-00-00	.SCREW	4	
36	6X1-48225-00-00	.GRAPHIC	1	
37	6X1-48119-00-00	.COVER	1	

REMOTE CONTROL



Ref. No.	Part Number
* 1	704-48205-12-00
2	98580-05016-00
3	EL8-48251-00-00
4	704-48265-00-00
5	701-48246-00-00
6	93430-06024-00
7	92990-10600-00
8	EL8-48259-00-00
9	704-48262-00-00
10	704-48264-00-00
11	704-48266-00-00
12	704-82540-00-00
13	6A5-48129-10-00
14	EL8-48281-00-00
15	704-48215-00-00
16	704-48281-00-00
17	98580-05525-00

*Indicates new part number

Part List


DUAL_STATION_1989 1989 / REMOTE CONTROL ASSEMBLY 2

REF - NO	PART NUMBER	PART NAME	QUANTITY	REMARKS
1	704-48205-13-00	REMOTE CONTROL ASSY, SNG BINN	1	
2	98580-05016-00	.SCREW, PAN HEAD	6	
3	EL8-48251-00-00	.PLATE, CAM	1	
4	704-48265-00-00	.SHAFT, FRICTION	1	
5	701-48246-00-00	.SPACER	1	
6	93430-06024-00	.CIRCLIP	3	
7	92990-10600-00	.WASHER, PLATE	1	
8	EL8-48259-00-00	.CIRCLIP 1	2	
9	704-48262-00-00	.SHAFT, THROTTLE	1	
10	704-48264-00-00	.THROTTLE, FRICTION	1	
11	704-48266-00-00	.SPACER	1	
12	704-82540-00-00	.NEUTRAL SWITCH ASSY	1	
13	6A5-48129-10-00	.SCREW 3	2	
14	(EL8-48281-00-00)	SCREW 1	1	
15	704-48215-00-00	.GRAPHIC	1	
16	(704-48281-00-00)	SCREW 1	1	
17	98580-05525-00	.SCREW, PAN HEAD	2	
18	704-48261-00-00	.ARM, THROTTLE	1	
19	EL8-48191-00-00	.WASHER 1	1	
20	98580-05540-00	.SCREW, PAN HEAD	4	
21	97080-06018-00	.BOLT	3	
22	703-48345-01-00	.CABLE END, REMOTE CONTROL 2	2	
23	704-48287-00-00	.WASHER	4	
24	95380-05600-00	NUT	4	
25	EL8-48271-00-00	.ARM, SHIFT	1	
26	EL8-48127-00-00	.SCREW 1	9	
27	703-48358-00-00	.ANCHOR, CABLE	1	
28	EL8-48231-00-00	.HOUSING, GEAR	1	
29	EL8-48241-00-00	.ARM, DRIVE	1	
30	EL8-48254-00-00	.STOPPER, THROTTLE ADJUSTING	1	
31	98702-06020-00	.SCREW, FLAT HEAD	2	
32	EL8-48158-00-00	.SPRING 1	1	
33	98580-04006-00	.SCREW, PAN HEAD	1	
34	98780-05018-00	.SCREW, FLAT HEAD	4	
35	EL8-48244-00-00	.SPRING, FREE ACCEL	1	
36	EL8-48245-00-00	.PLATE, LOCK	1	
37	703-48263-00-00	.BUSHING	1	
38	704-48222-00-00	.GRIP, CONTROL LEVER	1	
39	704-82594-00-00	.CLAMP	1	
40	704-48228-00-00	.HOLDER, SWITCH	1	
41	704-82563-A0-00	.TRIM & TILT SWITCH ASSY	1	
42	704-48229-00-00	.GRIP, CONTROL LEVER	1	
43	92990-05300-00	.WASHER, INTERNAL TOOTH	3	
44	95380-06600-00	.NUT, HEXAGON	2	
45	701-48248-00-00	.ROLLER, FREE ACCEL	1	
46	703-48238-00-00	.SPRING, DETENT	5	
47	EL8-48232-00-00	.GEAR 1	1	
48	EL8-48164-00-00	.PIN 2	1	
49	704-48242-00-00	.SHAFT, DRIVE	1	
50	704-48225-00-00	.COVER	1	

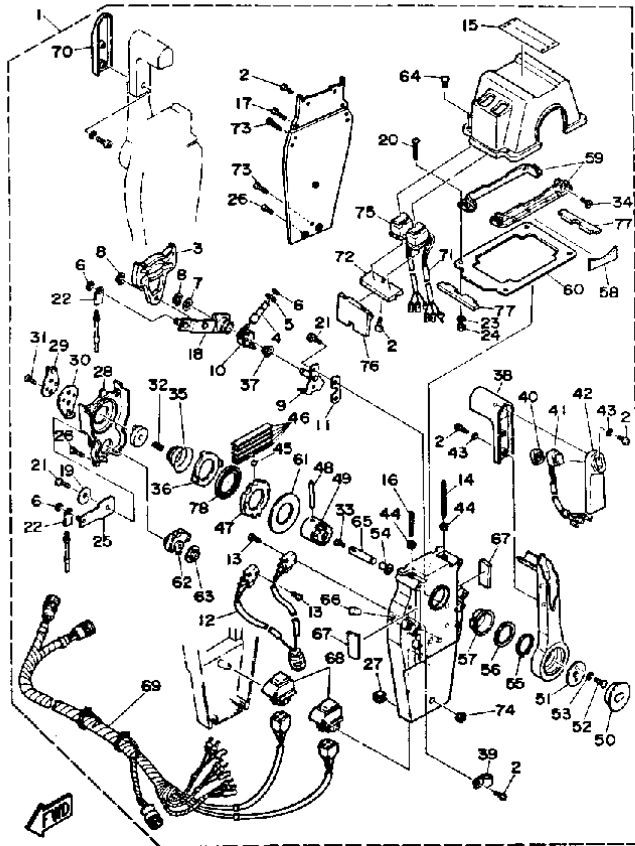
51	704-48192-00-00	.WASHER 2	1	
52	97890-06018-00	.SCREW, PAN HEAD	2	
53	92990-06300-00	.WASHER, INTERNAL TOOTH	2	
54	702-48263-00-00	.BUSHING	1	
55	EL8-48279-00-00	.CIRCLIP 2	1	
56	704-48193-00-00	.WASHER 3	1	
57	EL8-48234-00-00	.BUSHING 1	1	
58	704-48219-00-00	.COVER, LEAD	1	
59	704-48144-00-00	.PLATE, STOPPER 2	2	
60	704-48176-00-00	.GROMMET	1	
61	703-48192-00-00	.WASHER 2	1	
62	EL8-48233-00-00	.GEAR 2	1	
63	703-48235-00-00	.BUSHING	1	
64	704-48282-00-00	.SCREW	4	
65	EL8-48153-10-00	.SHAFT, FREE ACCEL	1	
66	704-48166-00-00	.PLUG	1	
67	704-48284-00-00	.GROMMET	2	
68	704-82541-10-00	.WIRE, LEAD	1	

Part Notes

DUAL_STATION_1989 1989 / REMOTE CONTROL ASSEMBLY 2

PART NUMBER		NOTE TEXT
92990-10600-00		OEM: This part number is among the Top 100 Most Popular Marine Maintenance Parts as of February 2013.

REMOTE CONTROL ASSI



Ref. No.	Part Number	
* 1	704-48207-21-00	RE
2	98580-05016-00	. S
3	EL8-48251-00-00	. P
4	704-48265-00-00	. S
5	701-48246-00-00	. S
6	93430-06024-00	. C
7	92990-10600-00	. V
8	EL8-48259-00-00	. C
9	704-48262-00-00	. S
10	704-48264-00-00	. T
11	704-48266-00-00	. S
12	704-82540-10-00	. N
13	6A5-48129-10-00	. S
14	EL8-48281-00-00	. S
15	704-48215-10-00	. G
16	704-48281-00-00	. S
17	98580-05525-00	. S
18	704-48261-00-00	. A
19	EL8-48191-00-00	. V

Part List


DUAL_STATION_1989 1989 / REMOTE CONTROL ASSEMBLY 3

REF - NO	PART NUMBER	PART NAME	QUANTITY	REMARKS
1	704-48207-21-00	DUAL BINN W/PTT	1	
2	98580-05016-00	.SCREW, PAN HEAD	12	
3	EL8-48251-00-00	.PLATE, CAM	2	
4	704-48265-00-00	.SHAFT, FRICTION	2	
5	701-48246-00-00	.SPACER	2	
6	93430-06024-00	.CIRCLIP	8	
7	92990-10600-00	.WASHER, PLATE	2	
8	EL8-48259-00-00	.CIRCLIP 1	4	
9	704-48262-00-00	.SHAFT, THROTTLE	2	
10	704-48264-00-00	.THROTTLE, FRICTION	2	
11	704-48266-00-00	.SPACER	2	
12	6XE-82540-10-00	.NEUTRAL SWITCH ASSY	1	
13	6A5-48129-10-00	.SCREW 3	4	
14	(EL8-48281-00-00)	SCREW 1	2	
15	704-48215-10-00	.GRAPHIC	1	
16	(704-48281-00-00)	SCREW 1	2	
17	98580-05525-00	.SCREW, PAN HEAD	4	
18	704-48261-00-00	.ARM, THROTTLE	2	
19	EL8-48191-00-00	.WASHER 1	2	
20	98580-05540-00	.SCREW, PAN HEAD	4	
21	97080-06018-00	.BOLT	6	
22	703-48345-01-00	.CABLE END, REMOTE CONTROL 2	4	
23	704-48287-00-00	.WASHER	4	
24	95380-05600-00	.NUT	4	
25	EL8-48271-00-00	.ARM, SHIFT	2	
26	EL8-48127-00-00	.SCREW 1	16	
27	703-48358-00-00	.ANCHOR, CABLE	2	
28	EL8-48231-00-00	.HOUSING, GEAR	2	
29	EL8-48241-00-00	.ARM, DRIVE	2	
30	EL8-48254-00-00	.STOPPER, THROTTLE ADJUSTING	2	
31	98702-06020-00	.SCREW, FLAT HEAD	4	
32	EL8-48158-00-00	.SPRING 1	2	
33	98580-04006-00	.SCREW, PAN HEAD	2	
34	98780-05018-00	.SCREW, FLAT HEAD	4	
35	EL8-48244-00-00	.SPRING, FREE ACCEL	2	
36	EL8-48245-00-00	.PLATE, LOCK	2	
37	703-48263-00-00	.BUSHING	2	
38	704-48222-00-00	.GRIP, CONTROL LEVER	2	
39	704-82594-00-00	.CLAMP	2	
40	704-48228-00-00	.HOLDER, SWITCH	1	
41	704-82563-G0-00	.TRIM & TILT SWITCH ASSY	1	
42	704-48229-00-00	.GRIP, CONTROL LEVER	1	
43	92990-05300-00	.WASHER, INTERNAL TOOTH	6	
44	95380-06600-00	.NUT, HEXAGON	4	
45	701-48248-00-00	.ROLLER, FREE ACCEL	2	
46	703-48238-00-00	.SPRING, DETENT	10	
47	EL8-48232-00-00	.GEAR 1	2	
48	EL8-48164-00-00	.PIN 2	2	
49	704-48242-00-00	.SHAFT, DRIVE	2	
50	704-48225-00-00	.COVER	2	
51	704-48192-00-00	.WASHER 2	2	

52	97890-06018-00	.SCREW, PAN HEAD	4	
53	92990-06300-00	.WASHER, INTERNAL TOOTH	4	
54	702-48263-00-00	.BUSHING	2	
55	EL8-48279-00-00	.CIRCLIP 2	2	
56	704-48193-00-00	.WASHER 3	2	
57	EL8-48234-00-00	.BUSHING 1	2	
58	704-48219-00-00	.COVER, LEAD	2	
59	704-48144-00-00	.PLATE, STOPPER 2	2	
60	704-48176-10-00	.GROMMET	1	
61	703-48192-00-00	.WASHER 2	2	
62	EL8-48233-00-00	.GEAR 2	2	
63	703-48235-00-00	.BUSHING	2	
64	704-48282-00-00	.SCREW	4	
65	EL8-48153-10-00	.SHAFT, FREE ACCEL	2	
66	704-48166-00-00	.PLUG	2	
67	704-48284-00-00	.GROMMET	4	
68	704-81950-00-00	.RELAY ASSY	2	
69	704-82590-10-00	.WIRE HARNESS ASSY	1	
70	704-48229-10-00	.GRIP, CONTROL LEVER	1	
71	704-82563-E0-00	.TRIM & TILT SWITCH ASSY	1	
72	704-48228-10-00	.HOLDER, SWITCH	1	
73	704-48128-00-00	.SCREW 2	3	
74	704-48156-00-00	.NUT 1	1	
75	704-82563-F0-00	.TRIM & TILT SWITCH ASSY	1	
76	704-48285-00-00	.GROMMET 2	1	
77	704-48286-00-00	.GROMMET 3	2	
78	704-48178-00-00	.PLATE, SHIFT	2	

Part Notes

DUAL_STATION_1989 1989 / REMOTE CONTROL ASSEMBLY 3

PART NUMBER		NOTE TEXT
92990-10600-00		OEM: This part number is among the Top 100 Most Popular Marine Maintenance Parts as of February 2013.