

CONTROL BOX APPLICATION CHART

COMPLETE MODEL CODE	SIDE MOUNT W/Key Sw. 703-48207-17-10	FLUSH MOUNT		BINNACLE		DUAL BINNACLE		TRIPLE BINNACLE	
		6X3-48206-01-00 6X0-48206-12-00		704-48205-P1-00 704-48205-B1-00		704-48207-P1-00		6X5-48207-01-00	
F2.5MSH	N/A	N/A		N/A		N/A		N/A	
F4MSH	N/A	N/A		N/A		N/A		N/A	
F4MLH	N/A	N/A		N/A		N/A		N/A	
F6MSH	N/A	N/A		N/A		N/A		N/A	
F6MLH	N/A	N/A		N/A		N/A		N/A	
8MSH									
F8MSH									
F8MLH									
T8ELH									
T8EXH									
T8PLH									
T8PLR	X	X		X					
T8PXH									
T8PXR	X	X		X					
9.9MSH									
F9.9MSH2									
F9.9MLH2									
F9.9ELR2	X	X		X					
T9.9ELH2	X	X		X					
T9.9ELR2	X	X		X					
T9.9EXH2	X	X		X					
15MSH									
F15CMSH									
F15CMLH									
F15CESH									
F15CELH									
F15CPLH									
F15CPLR	X	X		X					

X Required for engine operation

CONTROL BOX APPLICATION CHART

COMPLETE MODEL CODE	SIDE MOUNT W/Key Sw. 703-48207-17-10	FLUSH MOUNT		BINNACLE		DUAL BINNACLE		TRIPLE BINNACLE	
		6X3-48206-01-00 6X0-48206-12-00		704-48205-P1-00 704-48205-B1-00		704-48207-P1-00		6X5-48207-01-00	
F20MSH									
F20MLH									
F20ESR	X	X		X					
F20ELR	X	X		X					
F20ESH									
F20ELH									
F20PLH									
F20PLR	X	X		X					
25MLH									
25ESH									
25ELR	703-48230-15-10								
25MSH									
F40MLH									
F40TLR	X	X		X					
F40MJH									
F40EJR	X	X		X					
50TLR	X	X		X					
F50TLR	X	X		X					
T50TLR	X	X		X					
F60TLR	X	X		X					
T60TLR	X	X		X					
F60TJR	X	X		X					
70TLR	X	X		X					
F75TLR	X	X		X					
90TLR	X	X		X					
F90TLR	X	X		X					
F90TXR	X	X		X					
F90TJR	X	X		X					

X Required for engine operation

CONTROL BOX APPLICATION CHART

COMPLETE MODEL CODE	SIDE MOUNT W/Key Sw. 703-48207-17-10	FLUSH MOUNT		BINNACLE		DUAL BINNACLE		TRIPLE BINNACLE	
		6X3-48206-01-00 6X0-48206-12-00		704-48205-P1-00 704-48205-B1-00		704-48207-P1-00		6X5-48207-01-00	
115TLR	X	X		X		X		X	
F115TLR	X	X		X		X		X	
F115TXR	X	X		X		X		X	
LF115TXR						X		X	
F115TJR	X	X		X		X		X	
V150TLR	X	X		X		X		X	
150TXR	X	X		X		X		X	
VZ150TLR	X	X		X		X		X	
F150TLR	X	X		X		X		X	
F150TXR	X	X		X		X		X	
LF150TXR						X		X	
VZ175TLR	X	X		X		X		X	
VZ200TLR	X	X		X		X		X	
Z200TXR	X	X		X		X		X	
LZ200TXR						X		X	
F200TXR	X	X		X		X		X	
LF200TXR						X		X	
VZ225TLR	X	X		X		X		X	
F225TXR	X	X		X		X		X	
LF225TXR						X		X	
VZ250TLR	X	X		X		X		X	
F250TXR	X	X		X		X		X	
LF250TXR						X		X	
F250TUR	X	X		X		X		X	
LF250TUR						X		X	
VZ300TLR	X	X		X		X		X	
Z300TXR	X	X		X		X		X	
LZ300TXR						X		X	

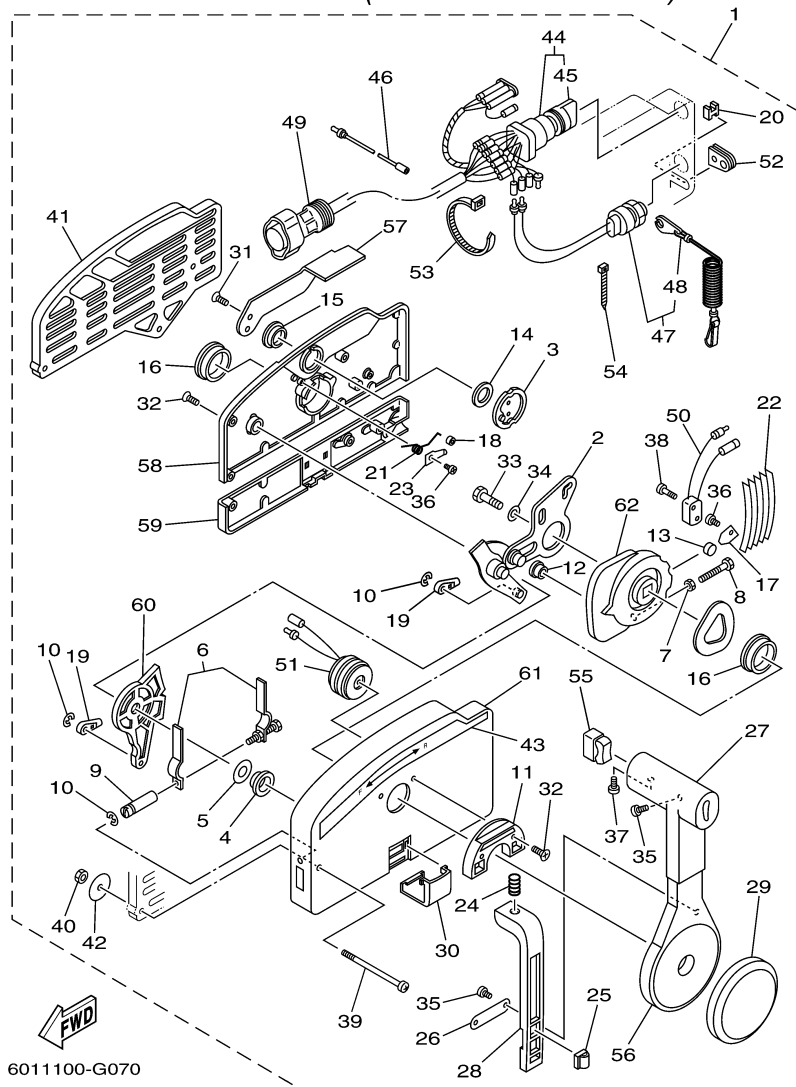
X Required for engine operation

Digital Electronic Control Box Application Chart

COMPLETE MODEL CODE	FLUSH MOUNT	BINNACLE	DUAL BINNACLE	TRIPLE BINNACLE
	6X7-48206-00-00	6X6-48205-00-00 6X6-48205-10-00 6X6-48205-20-00	6X6-48207-00-00 6X6-48207-10-00 6X6-48207-20-00	6X6-48208-20-00 6X6-48208-30-00
F250BTXR	X	X	X	X
LF250BTXR			X	X
F250BTUR	X	X	X	X
LF250BTUR			X	X
F300TXR	X	X	X	X
LF300TXR			X	X
F300TUR	X	X	X	X
LF300TUR			X	X
F350TXR	X	X	X	X
LF350TXR			X	X
F350TUR	X	X	X	X
LF350TUR			X	X

X Required for engine operation

703 REMOTE CONTROL (PULL TO OPEN TYPE)



6011100-G070

Part List


RIGGING 2007 0406 / CONTROL STANDARD SIDE 703 PULL

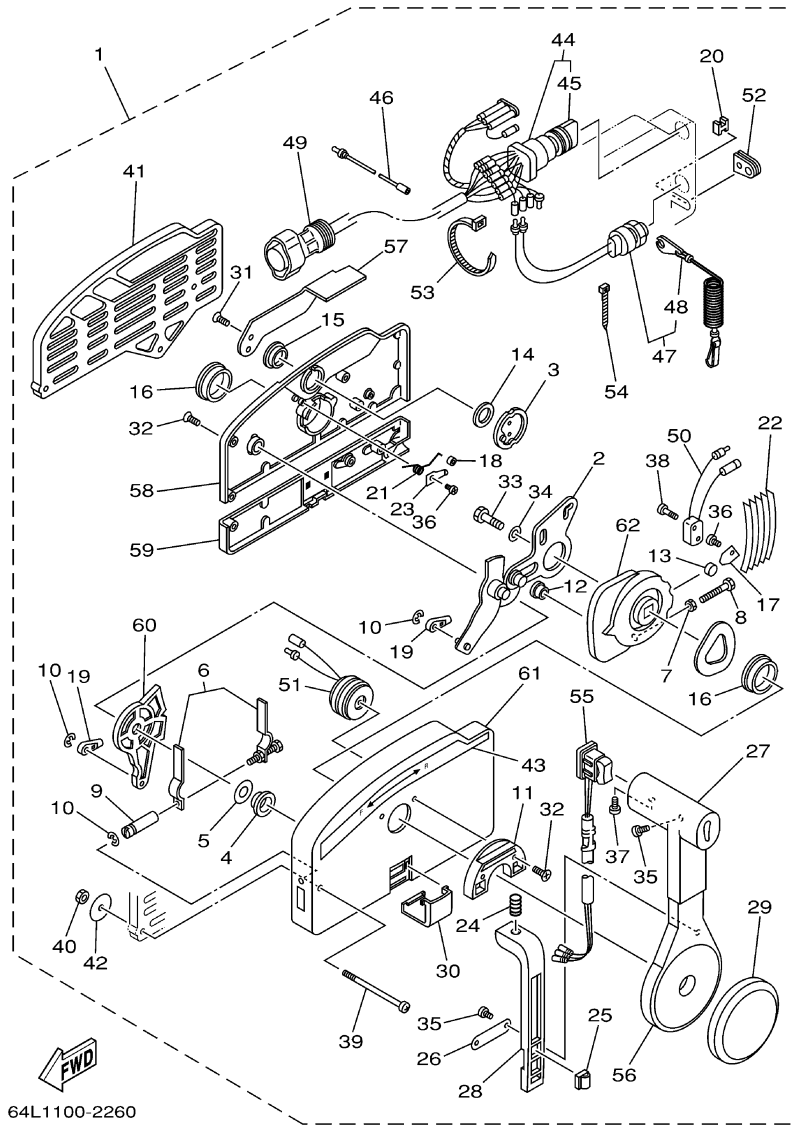
REF - NO	PART NUMBER	PART NAME	QUANTITY	REMARKS
1	703-48230-15-10	CONTROL 7P PULL CHOKE	1	WITHOUT PTT/T SWITCH
2	703-48261-11-00	.ARM, THROTTLE	1	
3	703-48153-00-00	.SHAFT, FREE ACCEL	1	
4	703-48235-00-00	.BUSHING	1	
5	703-48268-00-00	.SPACER	1	
6	703-48264-00-00	.FRICTION, THROTTLE	1	
7	95380-05600-00	.NUT	1	
8	97380-05025-00	.BOLT	1	
9	703-48265-00-00	.SHAFT, FRICTION	1	
10	93430-06024-00	.CIRCLIP	3	
11	703-48245-00-00	.PLATE, LOCK	1	
12	703-48252-00-00	.ROLLER, CAM	1	
13	701-48248-00-00	.ROLLER, FREE ACCEL	1	
14	703-48198-00-00	.WASHER, WAVE	1	
15	703-48243-00-00	.BUSHING	1	
16	703-48236-00-00	.BUSHING 1	2	
17	703-48189-00-00	.RETAINER	1	
18	703-48234-00-00	.ROLLER, DETENT	1	
19	703-48345-01-00	.CABLE END, REMOTE CONTROL 2	2	
20	703-48358-00-00	.ANCHOR, CABLE	1	
21	703-48244-00-00	.SPRING, FREE ACCEL	1	
22	703-48238-00-00	.SPRING, DETENT	5	
23	703-48246-00-00	.SPACER	1	
24	703-48227-00-00	.SPRING, NEUTRAL LOCK	1	
25	703-82594-00-00	.CLAMP	1	
26	703-48226-00-00	.PLATE, STOPPER	1	
27	703-48222-00-00	.GRIP, CONTROL LEVER	1	
28	703-48223-00-00	.LOCK, NEUTRAL	1	
29	703-48225-00-00	.COVER	1	
30	703-48219-00-00	.COVER, LEAD	1	
31	703-48281-00-00	.SCREW	2	
32	703-48282-00-00	.SCREW	7	
33	97380-08030-00	.BOLT	1	
34	98580-04010-00	.SCREW, PAN HEAD	1	
35	92990-08600-00	.WASHER, PLATE	3	
36	98580-04006-00	.SCREW, PAN HEAD	2	
37	98580-05010-00	.SCREW, PAN HEAD	1	
38	98580-03015-00	.SCREW, PAN HEAD	2	
39	703-48291-10-00	.SCREW (M6)	3	
40	95380-06600-00	.NUT, HEXAGON	3	
41	703-48293-10-00	.SPACER, REMOTE CONTROL	1	
42	701-48287-00-00	.WASHER	3	
43	703-48215-00-00	.GRAPHIC	1	
44	703-82510-33-00	.MAIN SWITCH ASSY	1	
45	703-82577-00-00	..CAP, KEY	1	
46	703-82531-00-00	.WIRE, LEAD (L70)	1	
47	688-82575-01-00	.ENGINE STOP SWITCH ASSY	1	
48	682-82556-00-00	..LANYARD, STOP SWITCH	1	
49	688-82586-21-00	.EXTENSION, WIRE HARNESS (49M)	1	
50	703-82540-00-00	.NEUTRAL SWITCH ASSY	1	
51	703-83383-02-00	.BUZZER	1	

52	703-48284-00-00	.GROMMET	1
53	703-82591-00-00	.BAND	1
54	703-82592-00-00	.BAND	1
55	703-48224-00-00	.COVER, CONTROL LEVER	1
56	703-48221-00-00	.LEVER, CONTROL	1
57	703-48152-00-00	.KNOB, FREE ACCEL	1
58	703-48212-00-00	.BACK PLATE 1	1
59	703-48213-00-00	.BACK PLATE 2	1
60	703-48271-00-00	.ARM, SHIFT	1
61	703-48211-01-00	.HOUSING 1	1
62	703-48232-00-00	.GEAR	1

Part Notes

RIGGING 2007 0406 / CONTROL STANDARD SIDE 703 PULL

PART NUMBER		NOTE TEXT
682-82556-00-00		OEM: This part number is among the Top 100 Most Popular Marine Maintenance Parts as of February 2013.



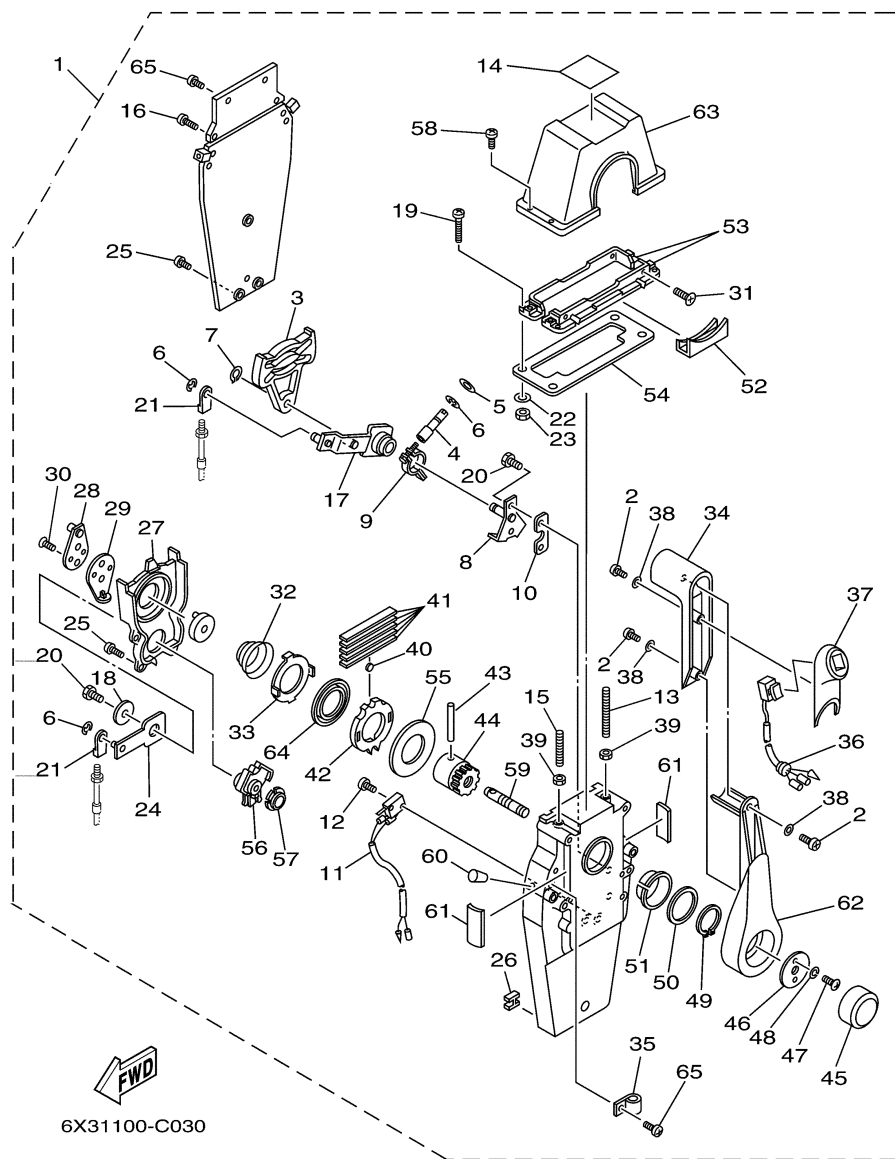
64L1100-2260

Part List

RIGGING 2007 0406 / CONTROL STANDARD SIDE 703 PUSH

REF - NO	PART NUMBER	PART NAME	QUANTITY	REMARKS
1	703-48207-17-10	PUSH 10P KEY CHOKE	1	WITH PT/T SWITCH
2	703-48261-01-00	.ARM, THROTTLE	1	
3	703-48153-00-00	.SHAFT, FREE ACCEL	1	
4	703-48235-00-00	.BUSHING	1	
5	703-48268-00-00	.SPACER	1	
6	703-48264-00-00	.FRICTION, THROTTLE	6	
7	95380-05600-00	.NUT	1	
8	97380-05025-00	.BOLT	1	
9	703-482-65-00-00	.SHAFT, FRICTION	1	
10	93430-06024-00	.CIRCLIP	3	
11	703-48245-00-00	.PLATE, LOCK	1	
12	703-48252-00-00	.ROLLER, CAM	1	
13	701-48248-00-00	.ROLLER, FREE ACCEL	1	
14	703-48198-00-00	.WASHER, WAVE	1	
15	703-48243-00-00	.BUSHING	1	
16	703-48236-00-00	.BUSHING 1	2	
17	703-48189-00-00	.RETAINER	1	
18	703-48234-00-00	.ROLLER, DETENT	1	
19	703-48345-01-00	.CABLE END, REMOTE CONTROL 2	1	
20	703-48358-00-00	.ANCHOR, CABLE	1	
21	703-48244-00-00	.SPRING, FREE ACCEL	1	
22	703-48238-00-00	.SPRING, DETENT	1	
23	703-48246-00-00	.SPACER	1	
24	703-48227-00-00	.SPRING, NEUTRAL LOCK	1	
25	703-82594-00-00	.CLAMP	1	WITH PT/T SWITCH
26	703-48226-00-00	.PLATE, STOPPER	1	
27	703-48222-00-00	.GRIP, CONTROL LEVER	1	
28	703-48223-00-00	.LOCK, NEUTRAL	1	
29	703-48225-00-00	.COVER	1	
30	703-48219-00-00	.COVER, LEAD	1	
31	703-48281-00-00	.SCREW	2	
32	703-48282-00-00	.SCREW	7	
33	97380-08030-00	.BOLT	1	
34	92990-08600-00	.WASHER, PLATE	1	
35	98580-04010-00	SCREW, PAN HEAD	3	
36	98580-04006-00	.SCREW, PAN HEAD	2	
37	98580-05010-00	.SCREW, PAN HEAD	1	
38	98580-03015-00	.SCREW, PAN HEAD	2	
39	703-48291-10-00	.SCREW (M6)	3	
40	95380-06600-00	.NUT, HEXAGON	3	
41	703-48293-10-00	.SPACER, REMOTE CONTROL	1	
42	701-48287-00-00	.WASHER	3	
43	703-48215-00-00	.GRAPHIC	1	
44	703-82510-43-00	.MAIN SWITCH ASSY	1	
45	703-82577-00-00	..CAP, KEY	1	
46	703-82531-00-00	.WIRE, LEAD (L70)	1	
47	688-82575-01-00	.ENGINE STOP SWITCH ASSY	1	
48	688-82556-00-00	..STOPPER	1	
49	688-8258A-20-00	.EXTENSION, WIRE HARNESS (49M)	1	L:5M (10P)
50	703-82540-00-00	.NEUTRAL SWITCH ASSY	1	
51	703-83383-02-00	.BUZZER	1	

52	703-48284-00-00	.GROMMET	1	
53	703-82591-00-00	.BAND	1	
54	703-82592-00-00	.BAND	1	
55	703-82563-12-00	..TRIM & TILT SWITCH ASSY	1	WITH PT/T SWITCH
56	703-48221-00-00	.LEVER, CONTROL	1	
57	703-48152-00-00	.KNOB, FREE ACCEL	1	
58	703-48212-00-00	.BACK PLATE 1	1	
59	703-48213-00-00	.BACK PLATE 2	1	
60	703-48271-00-00	.ARM, SHIFT	1	
61	703-48211-01-00	.HOUSING 1	1	
62	703-48232-00-00	.GEAR	1	

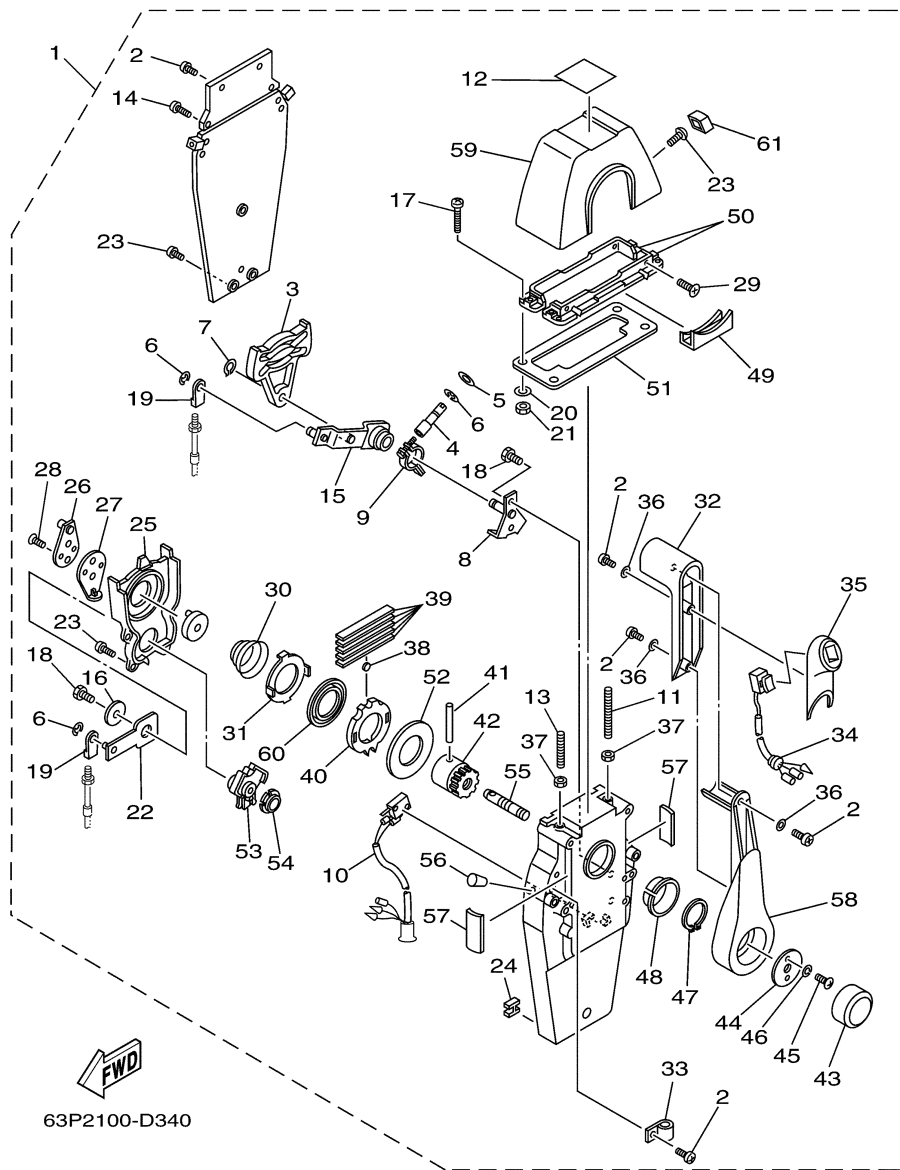


Part List

RIGGING 2007 0406 / CONTROL BINNACLE STANDARD SINGLE

REF - NO	PART NUMBER	PART NAME	QUANTITY	REMARKS
1	704-48205-B1-00	REMOTE CONTROL ASSY	1	WITH PT/T SW.
2	704-48128-00-00	.SCREW 2	3	
3	EL8-48251-00-00	.PLATE, CAM	1	
4	704-48265-00-00	.SHAFT, FRICTION	1	
5	701-48246-00-00	.SPACER	1	
6	93430-06024-00	.CIRCLIP	4	
7	EL8-48259-00-00	.CIRCLIP 1	1	
8	704-48262-00-00	.SHAFT, THROTTLE	1	
9	704-48264-00-00	.THROTTLE, FRICTION	1	
10	704-48266-00-00	.SPACER	1	
11	704-82540-20-00	.NEUTRAL SWITCH ASSY	1	
12	6A5-48129-10-00	.SCREW 3	2	
13	EL8-48281-00-00	.SCREW	1	
14	704-48215-00-00	.GRAPHIC	1	
15	704-48281-00-00	.SCREW	1	
16	97890-05025-00	.SCREW, PAN HEAD	2	
17	704-48261-00-00	.ARM, THROTTLE	1	
18	EL8-48191-00-00	.WASHER 1	1	
19	704-48283-00-00	.SCREW	4	
20	97380-06018-00	.BOLT	3	
21	703-48345-01-00	.CABLE END, REMOTE CONTROL 2	2	
22	704-48287-00-00	.WASHER	4	
23	95380-05600-00	.NUT	4	
24	EL8-48271-10-00	.ARM, SHIFT	1	
25	EL8-48127-00-00	.SCREW 1	9	
26	703-48358-00-00	.ANCHOR, CABLE	1	
27	EL8-48231-00-00	.HOUSING, GEAR	1	
28	EL8-48241-10-00	.ARM, DRIVE	1	
29	EL8-48254-10-00	.STOPPER, THROTTLE ADJUST	1	
30	92780-06020-00	.SCREW, FLAT HEAD	2	
31	98780-05018-00	.SCREW, FLAT HEAD	4	
32	EL8-48244-00-00	.SPRING, FREE ACCEL	1	
33	EL8-48245-00-00	.PLATE, LOCK	1	
34	704-48222-B0-00	.GRIP, CONTROL LEVER	1	
35	704-82594-00-00	.CLAMP	1	
36	704-82563-40-00	.TRIM & TILT SWITCH ASSY	1	
37	704-48229-B1-00	.GRIP, CONTROL LEVER	1	
38	92990-05300-00	.WASHER, INTERNAL TOOTH	3	
39	95380-06600-00	.NUT, HEXAGON	2	
40	701-48248-00-00	.ROLLER, FREE ACCEL	1	
41	704-48238-00-00	.SPRING, DETENT	5	
42	EL8-48232-00-00	.GEAR 1	1	
43	EL8-48164-00-00	.PIN 2	1	
44	704-48242-00-00	.SHAFT, DRIVE	1	
45	6X3-48225-20-00	.COVER	1	
46	704-48192-00-00	.WASHER 2	1	
47	97890-06018-00	.SCREW, PAN HEAD	2	
48	92990-06300-00	.WASHER, INTERNAL TOOTH	2	
49	EL8-48279-00-00	.CIRCLIP 2	1	
50	704-48193-00-00	.WASHER 3	1	
51	EL8-48234-00-00	.BUSHING 1	1	

52	704-48219-B0-00	.COVER, LEAD	1	
53	704-48144-00-00	.PLATE, STOPPER 2	2	
54	704-48176-00-00	.GROMMET	1	
55	703-48192-00-00	.WASHER 2	1	
56	EL8-48233-00-00	.GEAR 2	1	
57	702-48235-00-00	.BUSHING	1	
58	704-48282-00-00	.SCREW	4	
59	704-48153-00-00	.SHAFT, FREE ACCEL	1	
60	704-48166-00-00	.PLUG	1	
61	704-48284-00-00	.GROMMET	2	
62	704-48221-B0-00	.LEVER, CONTROL	1	
63	704-48119-B0-00	.COVER	1	
64	704-48176-10-00	.GROMMET	1	
65	97890-05016-00	.SCREW, PAN HEAD	3	

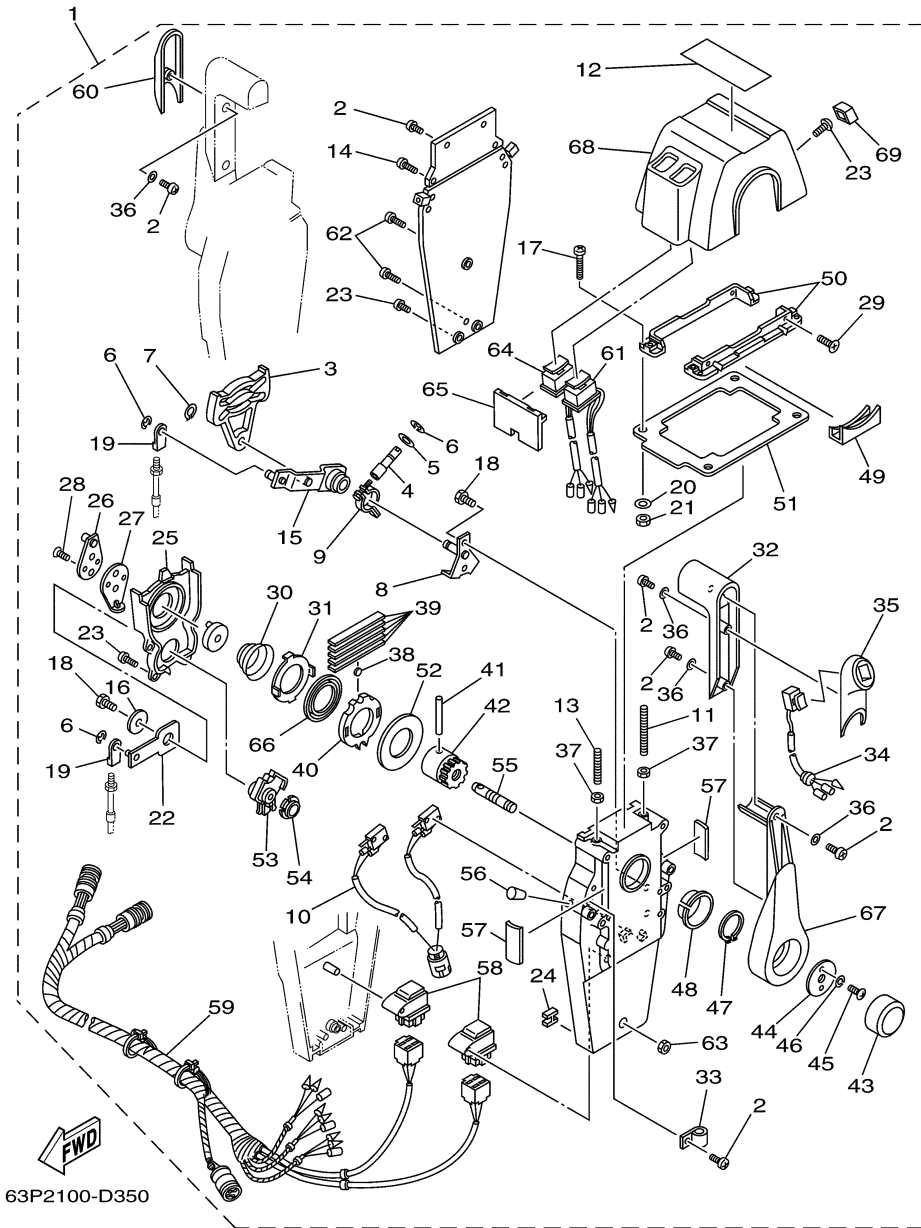


Part List

RIGGING 2007 0406 / CONTROL BINNACLE PREMIUM SINGLE

REF - NO	PART NUMBER	PART NAME	QUANTITY	REMARKS
1	704-48205-P1-00	REMOTE CONTROL ASSY (RIGHT)	1	WITH PT/T SW.
2	704-48128-00-00	.SCREW 2	6	
3	EL8-48251-00-00	.PLATE, CAM	1	
4	704-48265-00-00	.SHAFT, FRICTION	1	
5	701-48246-00-00	.SPACER	1	
6	93430-06024-00	.CIRCLIP	4	
7	EL8-48259-00-00	.CIRCLIP 1	1	
8	704-48262-00-00	.SHAFT, THROTTLE	1	
9	704-48264-00-00	.THROTTLE, FRICTION	1	
10	704-82540-20-00	.NEUTRAL SWITCH ASSY	1	
11	EL8-48281-00-00	.SCREW	1	
12	704-48215-20-00	.GRAPHIC	1	
13	704-48281-00-00	.SCREW	1	
14	97890-05025-00	.SCREW, PAN HEAD	2	
15	704-48261-00-00	.ARM, THROTTLE	1	
16	EL8-48191-00-00	.WASHER 1	1	
17	704-48283-00-00	.SCREW	4	
18	97380-06018-00	.BOLT	3	
19	703-48345-01-00	.CABLE END, REMOTE CONTROL 2	2	
20	704-48287-00-00	.WASHER	4	
21	95380-05600-00	.NUT	4	
22	704-48271-00-00	.ARM, SHIFT	1	
23	EL8-48127-00-00	.SCREW 1	10	
24	703-48358-00-00	.ANCHOR, CABLE	1	
25	704-48231-00-00	.HOUSING, GEAR	1	
26	EL8-48241-00-00	.ARM, DRIVE	1	
27	EL8-48254-00-00	.STOPPER, THROTTLE ADJUSTING	1	
28	92780-06020-00	.SCREW, FLAT HEAD	2	
29	98780-05018-00	.SCREW, FLAT HEAD	4	
30	EL8-48244-00-00	.SPRING, FREE ACCEL	1	
31	EL8-48245-00-00	.PLATE, LOCK	1	
32	704-48222-P0-00	.GRIP, CONTROL LEVER	1	
33	704-82594-00-00	.CLAMP	1	
34	704-82563-40-00	.TRIM & TILT SWITCH ASSY	1	
35	704-48229-P0-00	.GRIP, CONTROL LEVER	1	
36	92990-05300-00	.WASHER, INTERNAL TOOTH	3	
37	95380-06600-00	.NUT, HEXAGON	2	
38	701-48248-00-00	.ROLLER, FREE ACCEL	1	
39	704-48238-00-00	.SPRING, DETENT	5	
40	704-48232-P0-00	.GEAR	1	
41	EL8-48164-00-00	.PIN 2	1	
42	704-48242-10-00	.SHAFT, DRIVE	1	
43	6X3-48225-20-00	.COVER	1	
44	704-48192-00-00	.WASHER 2	1	
45	97890-06019-00	.SCREW, PAN HEAD	2	
46	92990-06300-00	.WASHER, INTERNAL TOOTH	2	
47	EL8-48279-00-00	.CIRCLIP 2	1	
48	704-48234-00-00	.BUSHING 1	1	
49	704-48219-P0-00	.COVER, LEAD	1	
50	704-48144-10-00	.PLATE, STOPPER 2	2	

51	704-48176-00-00	.GROMMET	1	
52	704-48192-00-00	.WASHER 2	1	
53	704-48233-00-00	.GEAR 2	1	
54	702-48235-00-00	.BUSHING	1	
55	704-48153-00-00	.SHAFT, FREE ACCEL	1	
56	704-48166-00-00	.PLUG	1	
57	704-48284-P0-00	.GROMMET	2	
58	704-48221-P0-00	.LEVER, CONTROL	1	
59	704-48119-30-00	.COVER	1	
60	704-48178-10-00	.PLATE, SHIFT	1	
61	704-48167-00-00	.PLUG	1	

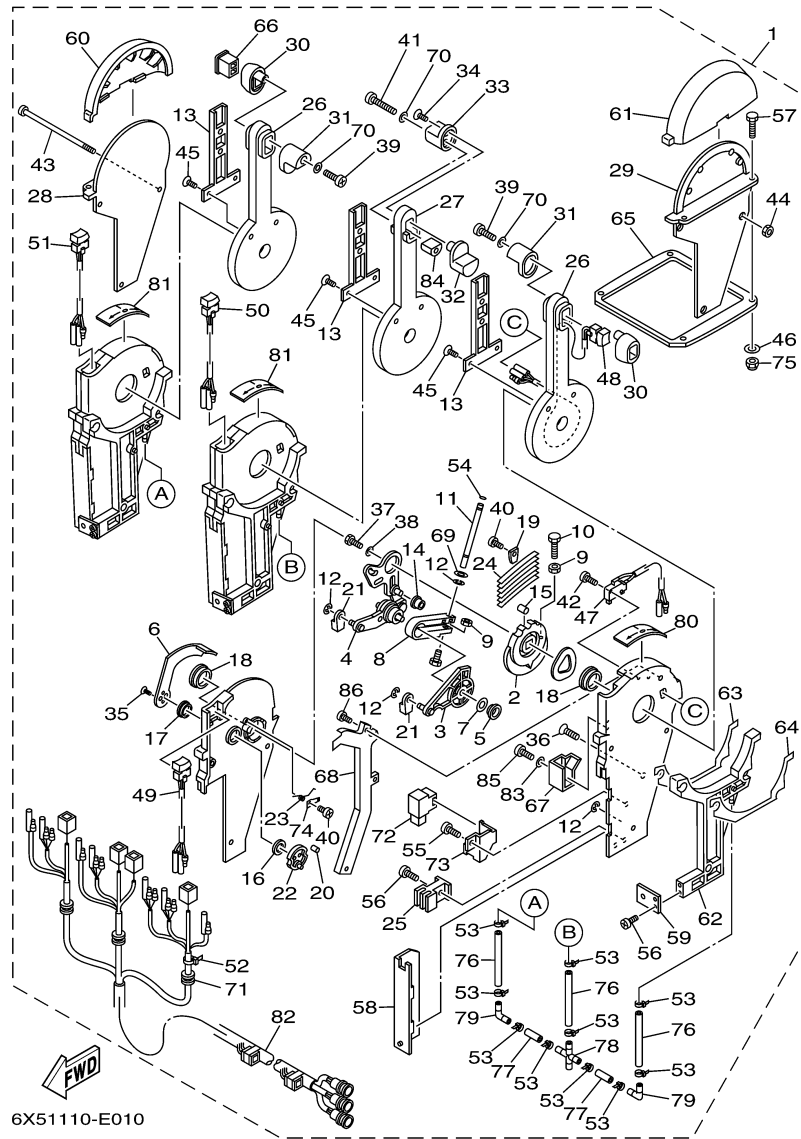


Part List

RIGGING 2007 0406 / CONTROL BINNACLE PREMIUM DUAL

REF - NO	PART NUMBER	PART NAME	QUANTITY	REMARKS
1	704-48207-P1-00	REMOTE CONTROL ASSY	1	WITH PT/T SW.
2	704-48128-00-00	.SCREW 2	6	
3	EL8-48151-00-00	.PLATE, CAM	2	
4	704-48265-00-00	.SHAFT, FRICTION	2	
5	701-48246-00-00	.SPACER	2	
6	93430-06024-00	.CIRCLIP	8	
7	EL8-48259-00-00	.CIRCLIP 1	2	
8	704-48262-00-00	.SHAFT, THROTTLE	2	
9	704-48264-00-00	.THROTTLE, FRICTION	2	
10	704-82540-30-00	.NEUTRAL SWITCH ASSY	1	
11	EL8-48281-00-00	.SCREW	2	
12	704-48215-30-00	.GRAPHIC	1	
13	704-48281-00-00	.SCREW	2	
14	97890-05025-00	.SCREW, PAN HEAD	4	
15	704-48261-00-00	.ARM, THROTTLE	2	
16	EL8-48191-00-00	.WASHER 1	2	
17	704-48283-00-00	.SCREW	4	
18	93780-06018-00	.BOLT	6	
19	703-48345-01-00	.CABLE END, REMOTE CONTROL 2	4	
20	704-48287-00-00	.WASHER	4	
21	95380-05600-00	.NUT	4	
22	704-48271-00-00	.ARM, SHIFT	2	
23	EL8-48127-00-00	..SCREW 1	18	
24	703-48358-00-00	.ANCHOR, CABLE	2	
25	704-48231-00-00	.HOUSING, GEAR	2	
26	EL8-48241-00-00	.ARM, DRIVE	2	
27	EL8-48254-00-00	.STOPPER, THROTTLE ADJUSTING	2	
28	92780-06020-00	.SCREW, FLAT HEAD	4	
29	98780-05018-00	.SCREW, FLAT HEAD	4	
30	EL8-48244-00-00	.SPRING, FREE ACCEL	2	
31	EL8-48245-00-00	.PLATE, LOCK	2	
32	704-48222-P0-00	.GRIP, CONTROL LEVER	2	
33	704-82594-00-00	.CLAMP	1	
34	704-82563-50-00	.TRIM & TILT SWITCH ASSY	1	
35	704-48229-P0-00	.GRIP, CONTROL LEVER	1	
36	92990-05300-00	.WASHER, INTERNAL TOOTH	6	
37	95380-06600-00	.NUT, HEXAGON	4	
38	701-48248-00-00	.ROLLER, FREE ACCEL	2	
39	704-48238-00-00	.SPRING, DETENT	10	
40	704-48232-P0-00	.GEAR	2	
41	EL8-48164-00-00	.PIN 2	2	
42	704-48242-10-00	.SHAFT, DRIVE	2	
43	6X3-48225-20-00	.COVER	2	
44	704-48192-00-00	.WASHER 2	2	
45	97890-06018-00	.SCREW, PAN HEAD	4	
46	92990-06300-00	.WASHER, INTERNAL TOOTH	4	
47	EL8-48279-00-00	.CIRCLIP 2	2	
48	704-48234-00-00	.BUSHING 1	2	
49	704-48219-P0-00	.COVER, LEAD	2	
50	704-48144-20-00	.PLATE, STOPPER 2	2	
51	704-48176-10-00	.GROMMET	1	

52	704-48192-00-00	.WASHER 2	2	
53	704-48233-00-00	.GEAR 2	2	
54	702-48235-00-00	.BUSHING	2	
55	704-48153-00-00	.SHAFT, FREE ACCEL	2	
56	704-48166-00-00	.PLUG	2	
57	704-48284-P0-00	.GROMMET	4	
58	704-81950-10-00	.RELAY ASSY	2	
59	704-82590-10-00	.WIRE HARNESS ASSY	1	
60	704-48229-Q0-00	.GRIP, CONTROL LEVER	1	
61	704-82563-H0-00	.TRIM & TILT SWITCH ASSY	1	
62	704-48128-00-00	.SCREW 2	3	
63	704-48156-00-00	.NUT 1	1	
64	704-82563-J0-00	.TRIM & TILT SWITCH ASSY	1	
65	704-48285-10-00	.GROMMET 2	1	
66	704-48178-10-00	.PLATE, SHIFT	2	
67	704-48221-P0-00	.LEVER, CONTROL	2	
68	704-48119-40-00	COVER	1	
69	704-48167-10-00	.PLUG	1	



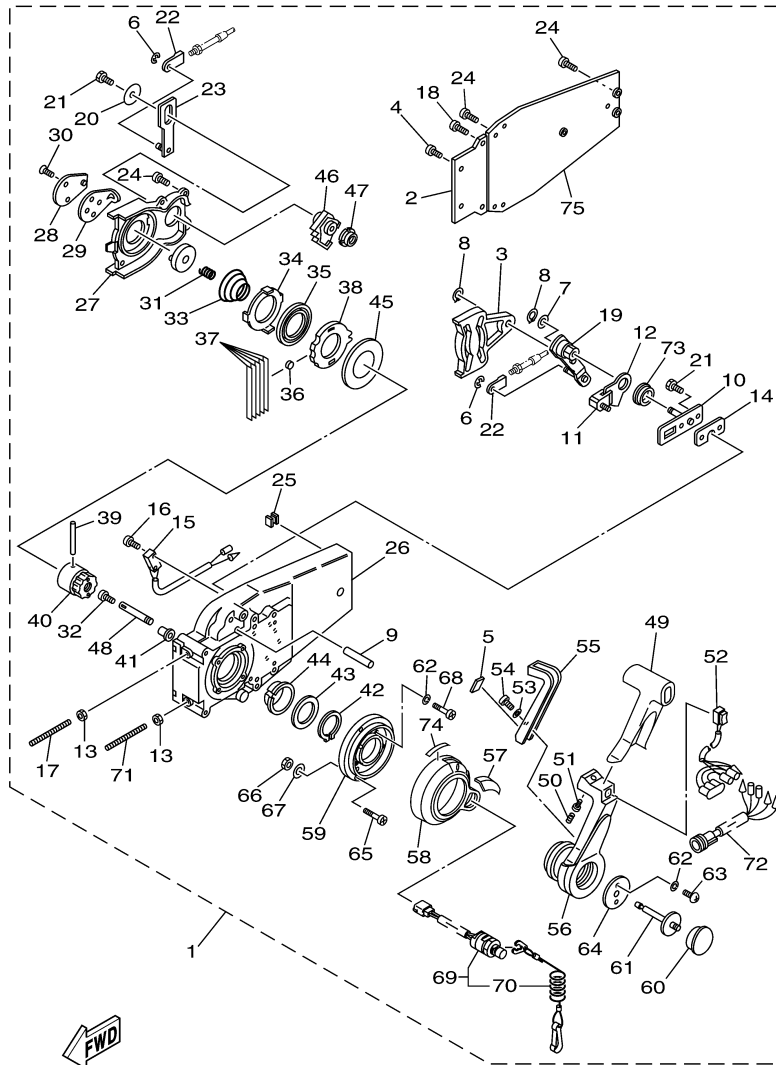
6X51110-E010

Part List

RIGGING 2007 0406 / CONTROL BINNACLE PREMIUM TRIPLE

REF - NO	PART NUMBER	PART NAME	QUANTITY	REMARKS
1	6X5-48207-01-00	REMOTE CONTROL ASSY	1	
2	6X5-48232-00-00	.GEAR	3	
3	6X5-48271-00-00	.ARM, SHIFT	3	
4	6X5-48261-00-00	.ARM, THROTTLE	3	
5	703-48235-00-00	.BUSHING	3	
6	6X5-48152-00-00	.KNOB, FREE ACCEL	3	
7	703-48268-00-00	.SPACER	3	
8	6X5-48264-00-00	.FRICTION, THROTTLE	3	
9	95380-05600-00	.NUT	6	
10	97380-05025-00	.BOLT	3	
11	6X5-48265-00-00	.SHAFT, FRICTION	3	
12	93430-06024-00	.CIRCLIP	12	
13	6X5-48224-00-00	.COVER, CONTROL LEVER	3	
14	703-48252-00-00	.ROLLER, CAM	3	
15	701-48248-00-00	.ROLLER, FREE ACCEL	3	
16	703-48198-00-00	.WASHER, WAVE	3	
17	703-48243-00-00	.BUSHING	3	
18	703-48236-00-00	.BUSHING 1	6	
19	703-48189-00-00	.RETAINER	3	
20	703-48234-00-00	.ROLLER, DETENT	3	
21	703-48345-01-00	.CABLE END, REMOTE CONTROL 2	6	
22	703-48153-00-00	.SHAFT, FREE ACCEL	3	
23	703-48244-00-00	.SPRING, FREE ACCEL	3	
24	703-48238-00-00	.SPRING, DETENT	18	
25	6X5-48358-00-00	.ANCHOR, CABLE	3	
26	6X5-48221-00-00	.LEVER, CONTROL	2	
27	6X5-48221-00-00	.LEVER, CONTROL	1	
28	6X5-48144-10-00	.PLATE, STOPPER 2	1	
29	6X5-48144-00-00	.PLATE, STOPPER 2	1	
30	6X5-48229-00-00	.GRIP, CONTROL LEVER	2	
31	6X5-48222-00-00	.GRIP, CONTROL LEVER	2	
32	6X5-48229-10-00	.GRIP, CONTROL LEVER	1	
33	6X5-48222-10-00	.GRIP, CONTROL LEVER	1	
34	6X5-48127-00-00	.SCREW 1	1	
35	703-48128-00-00	.SCREW 2	6	
36	6X5-48129-00-00	.SCREW 3	9	
37	97380-08030-00	.BOLT	3	
38	92990-08600-00	.WASHER, PLATE	3	
39	6X5-48127-10-00	.SCREW 1	2	
40	98580-04006-00	.SCREW, PAN HEAD	6	
41	6X5-48127-20-00	.SCREW 1	1	
42	98580-03015-00	.SCREW, PAN HEAD	6	
43	6X5-48267-00-00	.BOLT SET	3	
44	95780-06300-00	.NUT, FLANGE	3	
45	98780-04010-00	.SCREW, FLAT HEAD	6	
46	704-48287-00-00	.WASHER	4	
47	6X5-82540-00-00	.NEUTRAL SWITCH ASSY	3	
48	6X5-82563-00-00	.TRIM & TILT SWITCH ASSY	1	
49	6X5-82563-10-00	.TRIM & TILT SWITCH ASSY	1	
50	6X5-82563-20-00	.TRIM & TILT SWITCH ASSY	1	
51	6X5-82563-30-00	.TRIM & TILT SWITCH ASSY	1	
52	6X5-48291-00-00	.ATTACHMENT	1	

53	6X5-48292-00-00	.ATTACHMENT 2	12	
54	6X5-48351-00-00	.SEAL, RUBBER	3	
55	98580-05010-00	.SCREW, PAN HEAD	3	
56	98580-05012-00	.SCREW, PAN HEAD	12	
57	98580-05040-00	.SCREW, PAN HEAD	4	UR
57	97780-05130-00	.SCREW, TAPPING	4	UR
58	6X5-48213-00-00	.BACK PLATE 2	3	
59	6X5-48354-00-00	.SET-PLATE, CABLE	3	
60	6X5-48119-10-00	.COVER	1	
61	6X5-48119-00-00	.COVER	1	
62	6X5-48246-00-00	.SPACER	3	
63	6X5-48214-00-00	.PAD	3	
64	6X5-48214-10-00	.PAD	3	
65	6X5-48176-00-00	.GROMMET	1	
66	6X5-48222-20-00	.GRIP, CONTROL LEVER	1	
67	6X5-48219-00-00	.COVER, LEAD	3	
68	6X5-48225-00-00	.COVER	3	
69	92990-08600-00	.WASHER, PLATE	3	
70	92990-05300-00	.WASHER, INTERNAL TOOTH	3	
71	6X5-48175-00-00	.BOOT	3	
72	704-81950-10-00	.RELAY ASSY	4	
73	6X5-48228-00-00	.HOLDER, SWITCH	3	
74	703-48246-00-00	.SPACER	3	
75	95380-06600-00	.NUT, HEXAGON	4	
76	6X5-48317-00-00	.TUBE	3	
77	7X5-48317-10-00	.TUBE	2	
78	6X5-48338-00-00	.CONNECTOR	1	
79	6X5-48338-10-00	.CONNECTOR	2	
80	6X5-48215-00-00	.GRAPHIC	1	
81	6X5-48215-10-00	.GRAPHIC	2	
82	6X5-82590-00-00	.WIRE HARNESS ASSY	1	
83	6X5-48267-00-00	.BOLT SET	3	
84	92990-05200-00	.WASHER, PLAIN	15	
85	6X5-48222-30-00	.GRIP, CONTROL LEVER	1	
86	98580-05012-00	.SCREW, PAN HEAD	15	



6011100-G121

Part List



RIGGING 2007 0406 / CONTROL SIDE FLUSH PREMIUM

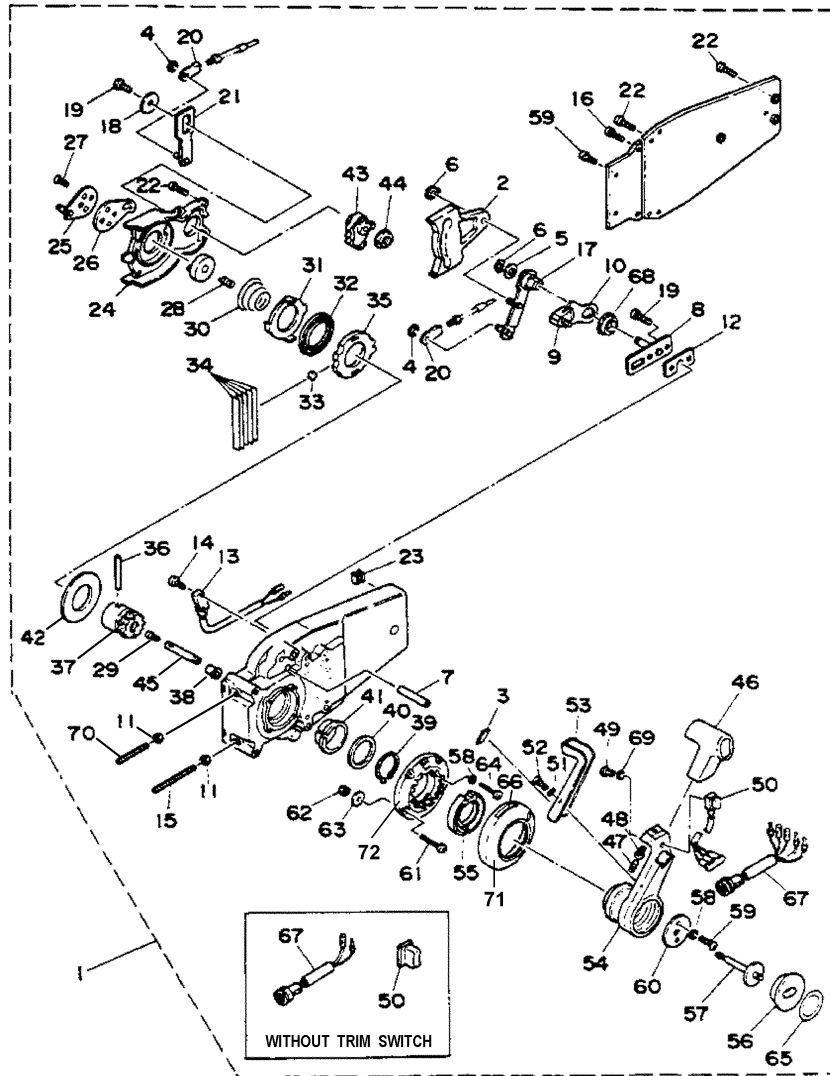
REF - NO	PART NUMBER	PART NAME	QUANTITY	REMARKS
1	6X3-48206-01-00	REMOTE CONTROL ASSY	1	WITH PT/T SWITCH
2	EL8-48212-00-00	.BACK PLATE 1	1	
3	EL8-48251-00-00	.PLATE, CAM	1	
4	97890-05016-00	.SCREW, PAN HEAD	2	
5	6X0-48138-00-00	.CAP, LOCK ARM	1	
6	93440-06024-00	.CIRCLIP	3	
7	92990-10600-00	.WASHER, PLATE	1	
8	EL8-48259-00-00	.CIRCLIP 1	2	
9	6X0-48265-00-00	.SHAFT, FRICTION	1	
10	6X0-48262-00-00	.SHAFT, THROTTLE	1	
11	6X0-48264-00-00	.THROTTLE, FRICTION	1	
12	6X0-48187-00-00	.PLATE, ADJUST	1	
13	95380-06600-00	.NUT, HEXAGON	2	
14	704-48266-00-00	.SPACER	1	
15	704-82540-00-00	.NEUTRAL SWITCH ASSY	1	
16	98580-03015-00	.SCREW, PAN HEAD	2	
17	EL8-48281-00-00	.SCREW	1	
18	97890-05025-00	.SCREW, PAN HEAD	2	
19	6X0-48261-00-00	.ARM, THROTTLE	1	
20	EL8-48191-00-00	.WASHER 1	1	
21	97380-06018-00	.BOLT	3	
22	703-48345-01-00	..CABLE END, REMOTE CONTROL 2	2	
23	EL8-48271-00-00	.ARM, SHIFT	1	
24	EL8-48127-00-00	.SCREW 1	11	
25	703-48358-00-00	.ANCHOR, CABLE	1	
26	6X0-48211-00-00	.HOUSING,1	1	
27	EL8-48231-00-00	.HOUSING, GEAR	1	
28	EL8-48241-00-00	.ARM, DRIVE	1	
29	EL8-48254-00-00	.STOPPER, THROTTLE ADJUSTING	1	
30	92780-06020-00	.SCREW, FLAT HEAD	2	
31	EL8-48158-00-00	.SPRING 1	1	
32	98580-04006-00	.SCREW, PAN HEAD	1	
33	EL8-48244-00-00	.SPRING, FREE ACCEL	1	
34	EL8-48245-00-00	.PLATE, LOCK	1	
35	704-48178-00-00	.PLATE, SHIFT	1	
36	701-48248-00-00	.ROLLER, FREE ACCEL	1	
37	704-48238-00-00	.SPRING, DETENT	5	
38	6X0-48121-00-00	.GEAR 1	1	
39	EL8-48164-00-00	.PIN 2	1	
40	EL8-48242-10-00	.SHAFT, DRIVE	1	
41	702-48263-00-00	.BUSHING	1	
42	EL8-48279-00-00	.CIRCLIP 2	1	
43	704-48193-00-00	.WASHER 3	1	
44	EL8-48234-00-00	.BUSHING 1	1	
45	703-48192-00-00	.WASHER 2	1	
46	EL8-48233-00-00	.GEAR 2	1	
47	702-48235-00-00	.BUSHING	1	
48	6X0-48153-01-00	.SHAFT, ACCEL	1	
49	6X3-48222-00-00	.GRIP, CONTROL LEVER	1	
50	703-48227-00-00	..SPRING, NEUTRAL LOCK	1	
51	98580-05008-00	.SCREW, PAN HEAD	1	

52	6X3-82563-01-00	.TRIM & TILT SWITCH ASSY	1	
53	6X0-48288-00-00	.WASHER, PLAIN	1	
54	6X0-48127-00-00	.SCREW 1	1	
55	6X0-48223-00-00	.LOCK, NEUTRAL	1	
56	6X3-48221-00-00	.LEVER, CONTROL	1	
57	6X3-48225-10-00	.COVER	1	
58	6X3-48225-00-00	.COVER	1	
59	6X3-48111-00-00	.BODY, REMOTE CONTROL 1	1	
60	6X3-48225-20-00	.COVER	1	
61	6X0-48155-00-00	.PLUNGER	1	
62	92990-05300-00	..WASHER, INTERNAL TOOTH	6	
63	6X0-48281-00-00	.SCREW	2	
64	6X0-48193-00-00	.WASHER 3	1	
65	97890-06035-00	.SCREW, PAN HEAD	3	UR
65	6X0-48128-00-00	..SCREW(M6X30)	3	UR
66	6X0-48156-00-00	..NUT 1	3	
67	701-48287-00-00	.WASHER	3	
68	6X3-48129-00-00	.SCREW 3	4	
69	6X3-82575-00-00	.ENGINE STOP SWITCH ASSY	1	
70	682-82556-00-00	...LANYARD, STOP SWITCH	1	
71	704-48281-00-00	.SCREW	1	
72	704-82541-10-00	.WIRE, LEAD	1	
73	6X0-48116-00-00	.BUSHING	1	
74	6X3-44191-00-00	.INDICATOR, SHIFT	1	
75	EL8-48213-00-00	.BACK PLATE 2	2	

Part Notes

RIGGING 2007 0406 / CONTROL SIDE FLUSH PREMIUM

PART NUMBER		NOTE TEXT
92990-10600-00		OEM: This part number is among the Top 100 Most Popular Marine Maintenance Parts as of February 2013.
682-82556-00-00		OEM: This part number is among the Top 100 Most Popular Marine Maintenance Parts as of February 2013.



Revised : 04-02-2012

Part List


RIGGING 2007 0406 / CONTROL FLUSH STANDARD

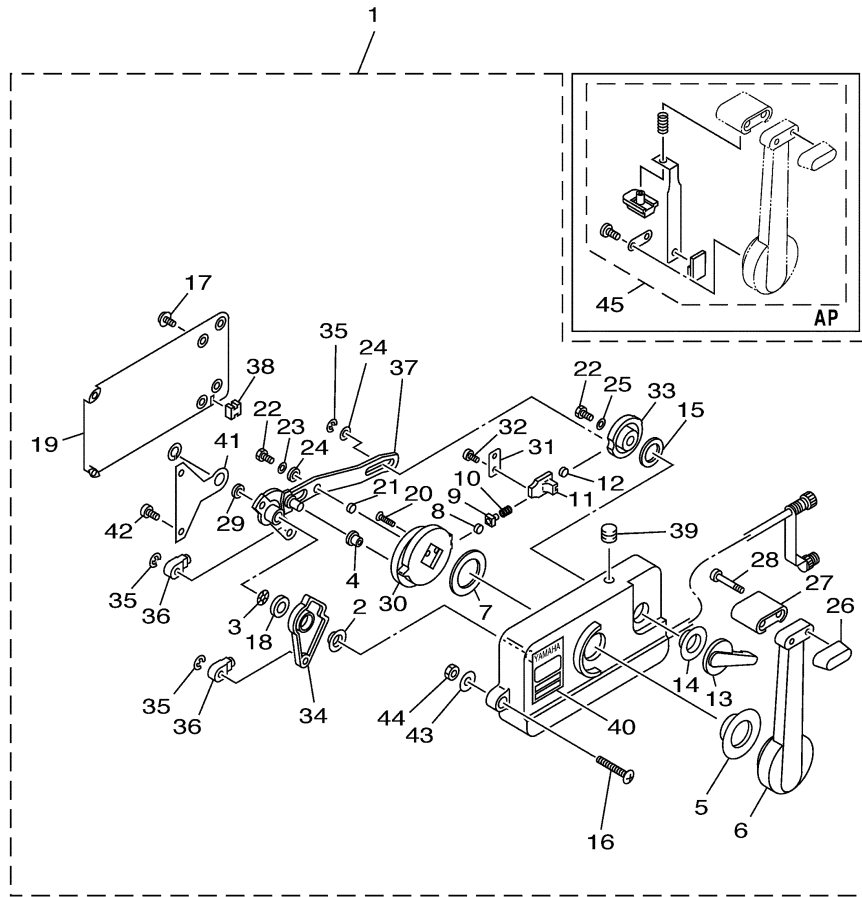
REF - NO	PART NUMBER	PART NAME	QUANTITY	REMARKS
1	6X0-48206-12-00	705 FLUSH (90) CONTROL ASSY	1	WITH PT/T SW.
2	6X0-48252-00-00	.PLATE, CAM	1	
3	6X0-48138-00-00	.CAP, LOCK ARM	1	
4	93430-06024-00	.CIRCLIP	3	
5	92990-10600-00	.WASHER, PLATE	1	
6	EL8-48259-00-00	.CIRCLIP 1	2	
7	6X0-48265-00-00	.SHAFT, FRICTION	1	
8	6X0-48262-00-00	.SHAFT, THROTTLE	1	
9	6X0-48264-00-00	.THROTTLE, FRICTION	1	
10	6X0-48187-00-00	.PLATE, ADJUST	1	
11	95380-06600-00	.NUT, HEXAGON	2	
12	704-48266-00-00	.SPACER	1	
13	704-82540-00-00	.NEUTRAL SWITCH ASSY	1	
14	98580-03014-00	.SCREW	2	
15	704-48281-00-00	.SCREW	1	
16	97890-05025-00	.SCREW, PAN HEAD	2	
17	6X0-48261-00-00	.ARM, THROTTLE	1	
18	EL8-48191-00-00	.WASHER 1	1	
19	97080-06018-00	.BOLT	3	
20	703-48345-01-00	.CABLE END, REMOTE CONTROL 2	2	
21	EL8-48271-00-00	.ARM, SHIFT	1	
22	EL8-48127-00-00	.SCREW 1	9	
23	703-48358-00-00	.ANCHOR, CABLE	1	
24	EL8-48231-00-00	.HOUSING, GEAR	1	
25	6X0-48241-00-00	.ARM, DRIVE	1	
26	EL8-48254-00-00	.STOPPER, THROTTLE ADJUSTING	1	
27	92780-06020-00	.SCREW, FLAT HEAD	2	
28	EL8-48158-00-00	.SPRING 1	1	
29	98580-04006-00	.SCREW, PAN HEAD	1	
30	EL8-48244-00-00	.SPRING, FREE ACCEL	1	
31	EL8-48245-00-00	.PLATE, LOCK	1	
32	704-48178-00-00	.PLATE, SHIFT	1	
33	701-48248-00-00	.ROLLER, FREE ACCEL	1	
34	704-48238-00-00	.SPRING, DETENT	5	
35	6X0-48121-00-00	.GEAR 1	1	
36	EL8-48164-00-00	.PIN 2	1	
37	EL8-48242-10-00	.SHAFT, DRIVE	1	
38	702-48263-00-00	.BUSHING	1	
39	EL8-48279-00-00	.CIRCLIP 2	1	
40	704-48193-00-00	.WASHER 3	1	
41	EL8-48234-00-00	.BUSHING 1	1	
42	703-48192-00-00	.WASHER 2	1	
43	EL8-48233-00-00	.GEAR 2	1	
44	702-48235-00-00	.BUSHING	1	
45	6X0-48153-00-00	.SHAFT, FREE ACCEL	1	
46	6X0-48222-00-00	.GRIP, CONTROL LEVER	1	
47	703-48227-00-00	.SPRING, NEUTRAL LOCK	1	
48	98580-05008-00	.SCREW, PAN HEAD	1	
49	98580-04010-00	.SCREW, PAN HEAD	1	
50	6X0-82563-01-00	.TRIM SWITCH ASSY	1	

51	6X0-48288-00-00	.WASHER, PLAIN	1	
52	6X0-48127-00-00	.SCREW 1	1	
53	6X0-48223-00-00	.LOCK, NEUTRAL	1	
54	6X0-48221-00-00	.LEVER, CONTROL	1	
55	6X0-48245-00-00	.PLATE, LOCK	1	
56	704-48225-00-00	.COVER	1	
57	6X0-48155-00-00	.PLUNGER	1	
58	92990-05300-00	.WASHER, INTERNAL TOOTH	6	
59	6X0-48281-00-00	.SCREW	6	
60	6X0-48193-00-00	.WASHER 3	1	
61	6X0-48128-00-00	.SCREW(M6X30)	3	
61	97885-06035-00	.SCREW, PAN HEAD	3	
62	6X0-48156-00-00	.NUT 1	3	
63	701-48287-00-00	.WASHER	3	
64	6X0-4812900-00	.SCREW 3	4	
65	6X0-48215-00-00	.GRAPHIC	1	
66	6E0-44191-11-00	.INDICATOR, SHIFT	1	
67	704-82541-10-00	.WIRE, LEAD	1	
68	6X0-48116-00-00	.BUSHING	1	
69	92990-04300-00	.WASHER	1	
70	EL8-48281-00-00	.SCREW	1	
71	6X0-48225-00-00	.COVER	1	
72	6X0-48111-00-00	BODY, REMOTE CONTROL 1	1	

Part Notes

RIGGING 2007 0406 / CONTROL FLUSH STANDARD

PART NUMBER		NOTE TEXT
92990-10600-00		OEM: This part number is among the Top 100 Most Popular Marine Maintenance Parts as of February 2013.

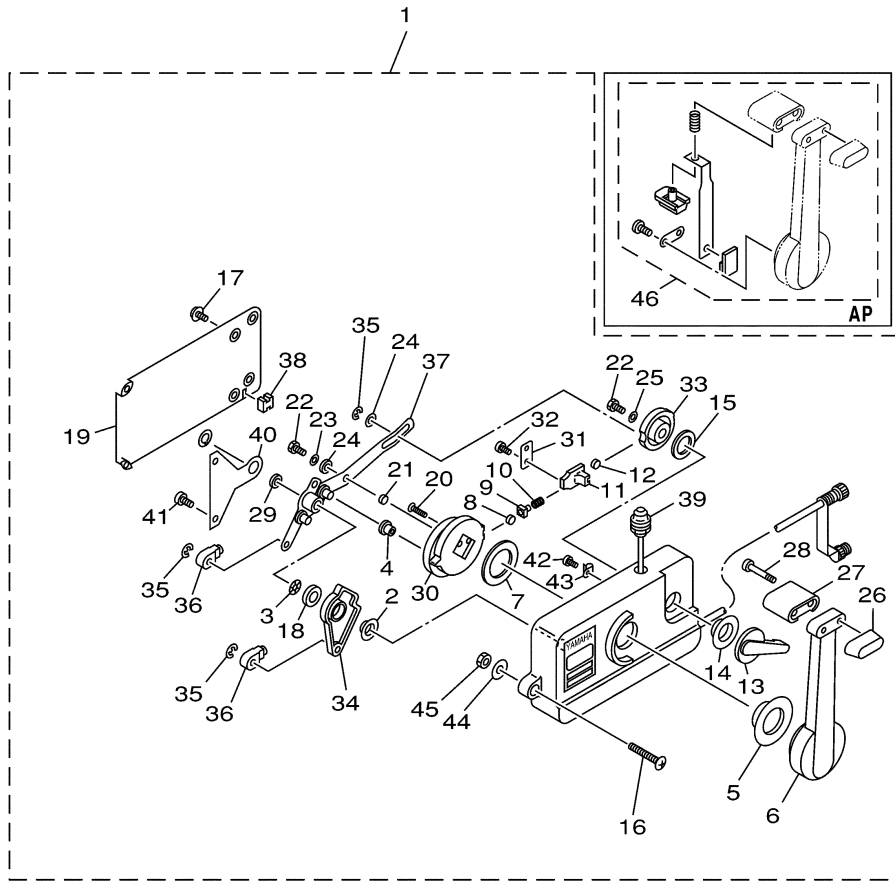


6G80100-9300

Part List

RIGGING 2007 0406 / CONTROL 701 MANUAL PULL

REF - NO	PART NUMBER	PART NAME	QUANTITY	REMARKS
1	701-48101-51-00	REMOTE CONTROL ASSY (RIGHT)	1	
2	701-48235-00-00	.BUSHING	1	
3	701-48197-10-00	.WASHER, WAVE	1	
4	701-48252-00-00	.ROLLER, CAM	1	
5	701-48234-00-00	.BUSHING 1	1	
6	701-48221-00-00	.LEVER, CONTROL	1	
7	701-48196-00-00	.WASHER, WAVE	1	
8	701-48236-00-00	.ROLLER, DETENT	1	
9	702-48237-00-00	.ADAPTOR	1	
10	702-48238-00-00	.SPRING, DETENT	1	
11	701-48249-00-00	.ADAPTOR, SPRING	1	
12	701-48248-00-00	.ROLLER, FREE ACCEL	1	
13	701-48152-00-00	.KNOB, FREE ACCEL	1	
14	701-48243-00-00	.BUSHING	1	
15	701-48198-10-00	.WASHER, WAVE	1	
16	701-48281-10-00	.SCREW	3	
17	701-48289-00-00	.SCREW	4	
18	701-48268-00-00	.SPACER	1	
19	701-48213-00-00	.BACK PLATE 2	1	
20	92780-06025-00	.SCREW, FLAT HEAD	2	
21	701-48255-00-00	.COLLAR	1	
22	97390-06018-00	.BOLT	2	
23	702-48288-00-00	.WASHER, PLAIN	1	
24	701-48246-00-00	.SPACER	2	
25	92990-06300-00	.WASHER, INTERNAL TOOTH	1	
26	701-48229-00-00	.GRIP, CONTROL LEVER	1	
27	701-48222-00-00	.GRIP, CONTROL LEVER	1	
28	701-48282-00-00	.SCREW	2	
29	701-48266-00-00	.SPACER	1	
30	701-48232-00-00	.GEAR	1	
31	701-48189-11-00	.RETAINER	1	
32	98580-05010-00	.SCREW, PAN HEAD	2	
33	701-48153-12-00	.SHAFT, FREE ACCEL	1	
34	701-48271-00-00	.ARM, SHIFT	1	
35	93430-06024-00	.CIRCLIP	3	
36	703-48345-01-00	.CABLE END, REMOTE CONTROL 2	2	
37	701-48261-00-00	.ARM, THROTTLE	1	
38	701-48358-00-00	.ANCHOR, CABLE	1	
39	701-48138-50-00	.CAP, LOCK ARM	1	
40	701-48126-00-00	.GRAPHIC	1	
41	701-48133-00-00	.PLATE, LINK	1	
42	98580-05020-00	.SCREW, PAN HEAD	2	
43	701-48287-00-00	.WASHER	3	
44	95380-06600-00	.NUT, HEXAGON	3	
45	701-48280-00-00	.NEUTRAL LOCK KIT	1	



63V0100-9231

Part List

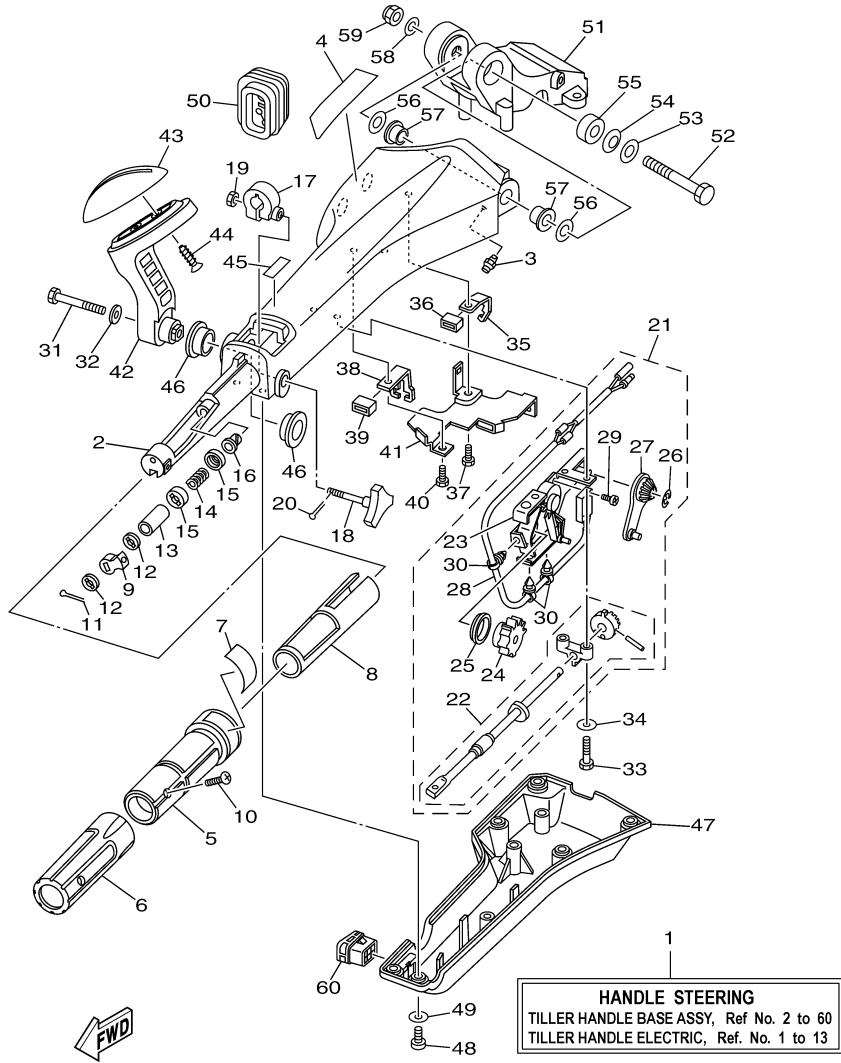
RIGGING 2007 0406 / CONTROL 701 MANUAL PUSH

REF - NO	PART NUMBER	PART NAME	QUANTITY	REMARKS
1	701-48130-02-00	REMOTE CONTROL ASSY (MANUAL)	1	
2	701-48235-00-00	.BUSHING	1	
3	701-48197-10-00	.WASHER, WAVE	1	
4	701-48252-00-00	.ROLLER, CAM	1	
5	701-48234-00-00	.BUSHING 1	1	
6	701-48221-00-00	.LEVER, CONTROL	1	
7	701-48196-11-00	.WASHER, WAVE	1	
8	701-48236-00-00	.ROLLER, DETENT	1	
9	702-48237-00-00	.ADAPTOR	1	
10	702-48238-00-00	.SPRING, DETENT	1	
11	701-48249-00-00	.ADAPTOR, SPRING	1	
12	701-48248-00-00	.ROLLER, FREE ACCEL	1	
13	701-48152-11-00	.KNOB, FREE ACCEL	1	
14	701-48243-00-00	.BUSHING	1	
15	701-48198-10-00	.WASHER, WAVE	1	
16	701-48281-10-00	.SCREW	3	
17	701-48289-00-00	.SCREW	4	
18	701-48268-00-00	.SPACER	1	
19	701-48213-00-00	.BACK PLATE 2	1	
20	92780-06025-00	.SCREW, FLAT HEAD	2	
21	701-48255-00-00	.COLLAR	1	
22	97390-06018-00	.BOLT	2	
23	702-48288-00-00	.WASHER, PLAIN	1	
24	701-48246-00-00	.SPACER	2	
25	92990-06300-00	.WASHER, INTERNAL TOOTH	1	
26	701-48229-00-00	.GRIP, CONTROL LEVER	1	
27	701-48222-00-00	.GRIP, CONTROL LEVER	1	
28	701-48282-00-00	.SCREW	2	
29	701-48266-00-00	.SPACER	1	
30	701-48232-00-00	.GEAR	1	
31	701-48189-11-00	.RETAINER	1	
32	98580-05010-00	.SCREW, PAN HEAD	2	
33	701-48153-12-00	.SHAFT, FREE ACCEL	1	
34	701-48271-00-00	.ARM, SHIFT	1	
35	93430-06024-00	.CIRCLIP	3	
36	703-48345-01-00	.CABLE END, REMOTE CONTROL 2	2	
37	701-48261-00-00	.ARM, THROTTLE	1	
38	701-48358-00-00	.ANCHOR, CABLE	1	
39	701-82550-51-00	.ENGINE STOP SWITCH ASSY	1	
40	701-48133-00-00	.PLATE, LINK	1	
41	98580-05020-00	.SCREW, PAN HEAD	2	
42	701-48283-00-00	.SCREW	1	
43	701-82594-00-00	.CLAMP	1	
44	701-48287-00-00	..WASHER	3	
45	95380-06600-00	.NUT, HEXAGON	3	
46	701-48280-00-00	.NEUTRAL LOCK KIT	1	AP

APPLICATION MODEL

MODEL CODE	MODEL NAME	PART NUMBER / PART NAME							
		6X4-42101-01 STEERING HANDLE	6X4-42101-00 FITTING KIT	6X4-42102-10 FITTING KIT	6X4-42102-20 FITTING KIT	6X4-42102-30 FITTING KIT	6X4-42102-40 FITTING KIT	6X4-42102-50 FITTING KIT	6X4-42102-60 FITTING KIT
67C7	F40	*				*			
6C13	F50	*			*				
6C53	F60	*			*				
6C23	T50	*			*				
6C63	T60	*			*				
6D63	F75	*		*					
6D83	F90	*		*					
68V6	F115	*	*						
62X	50	*							*
6H36	70	*						*	
6H19	90	*					*		

6X4 TILLER HANDLE KIT (50-90 & F40-F115)



6011100-G590

Part List


RIGGING 2007 0406 / TILLER HANDLE BASE ASSEMBLY

REF - NO	PART NUMBER	PART NAME	QUANTITY	REMARKS
1	6X4-42101-01-00	HANDLE, STEERING	1	
2	6X4-42111-01-4D	HANDLE, STEERING	1	
3	93700-06M03-00	NIPPLE, GREASE	1	
4	6X4-48215-00-00	GRAPHIC	1	
5	6X4-42119-00-00	GRIP, STEERING HANDLE	1	
6	6X4-42177-00-00	RUBBER, HANDLE	1	
7	6X4-42137-00-00	INDICATOR, THROTTLE	1	
8	6X4-41291-00-00	BUSHING	1	
9	6X4-44139-00-00	COLLAR	1	
10	90142-05001-00	SCREW, COUNTERSUNK	1	
11	91490-20010-00	PIN. COTTER	1	
12	6X4-44177-00-00	WASHER	2	
13	6X4-42128-00-00	COLLAR, DISTANCE 1	1	
14	90501-23215-00	SPRING, COMPRESSION	1	
15	6X4-44188-00-00	WASHER	2	
16	90386-08032-00	BUSH	1	
17	63D-42126-00-00	FRICITION, STEERING HANDLE GRIP	1	
18	6X4-48154-00-00	KNOB, THROTTLE	1	
19	95380-06600-00	NUT, HEXAGON	1	
20	901490-20010-00	PIN, COTTER	1	
21	6X4-44100-00-00	SHIFT LINK ASSY	1	
22	6X4-42115-00-00	.SHAFT, STEERING HANDLE	1	
23	6X4-44102-00-00	.SHIFT ASSIST ASSY	1	
24	6X4-47731-00-00	..GEAR, DRIVE	1	
25	6X4-44132-00-00	..BUSHING	1	
26	6X4-14137-00-00	.CLIP	1	
27	6X4-48261-00-00	..ARM, THROTTLE	1	
28	6X4-82540-00-00	..NEUTRAL SWITCH ASSY	1	
29	6A5-48129-10-00	..SCREW 3	2	
30	6X4-42821-00-00	..BAND, CLAMP	3	
31	97095-08040-00	BOLT	1	
32	92995-08600-00	WASHER	1	
33	97095-06030-00	BOLT	2	
34	92995-06600-00	WASHER	1	
35	6X4-48538-00-00	CLAMP, CABLE 1	1	
36	6X4-26367-00-00	PROTECTOR	1	
37	97095-06014-00	BOLT	1	
38	6X4-48538-10-00	CLAMP, CABLE 1	1	
39	6X4-26367-00-00	PROTECTOR	1	
40	97095-06014-00	BOLT	1	
41	6X4-42159-00-00	STAY	1	
42	6X4-44159-00-4D	HANDLE, GEAR SHIFT	1	
43	6X4-44173-00-00	LEVER, SHIFT CONTROL	1	
44	97780-60920-00	SCREW, TAPPING	1	
45	6GB-44191-00-00	INDICATOR, SHIFT	1	
46	90386-26MA3-00	BUSH	2	
47	6X4-42131-00-00	COVER, HANDLE STEERING	1	
48	97885-06016-00	SCREW, PAN HEAD	6	
49	92995-06600-00	WASHER	6	
50	6X4-42725-00-00	GROMMET	1	
51	63D-42121-22-4D	BRACKET	1	
52	90101-12014-00	BOLT	1	

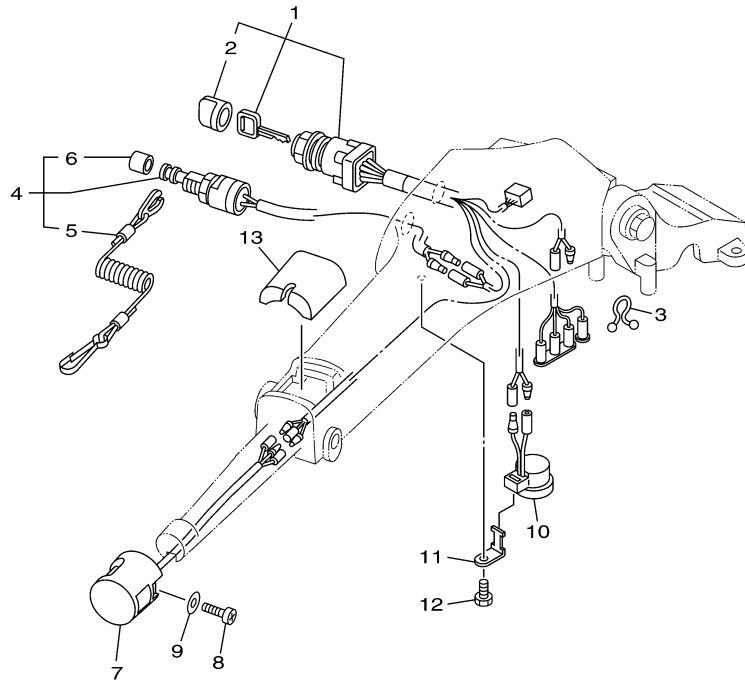
53	92990-12200-00	WASHER, PLAIN	1	
54	90206-12M22-00	WASHER, WAVE	1	
55	90387-12M02-00	COLLAR	1	
56	90201-12035-00	WASHER, PLATE	1	
57	90386-12003-00	BUSH	2	
58	92990-12600-00	WASHER, PLATE	1	
59	90185-12M12-00	NUT, SELF-LOCKING	1	
60	6X4-42728-10-00	CAP	1	

Part Notes

RIGGING 2007 0406 / TILLER HANDLE BASE ASSEMBLY

PART NUMBER		NOTE TEXT
93700-06M03-00		OEM: This part number is among the Top 100 Most Popular Marine Maintenance Parts as of February 2013.

6X4 TILLER HANDLE KIT (50-90 & F40-F115)



6011100-G600



Part List

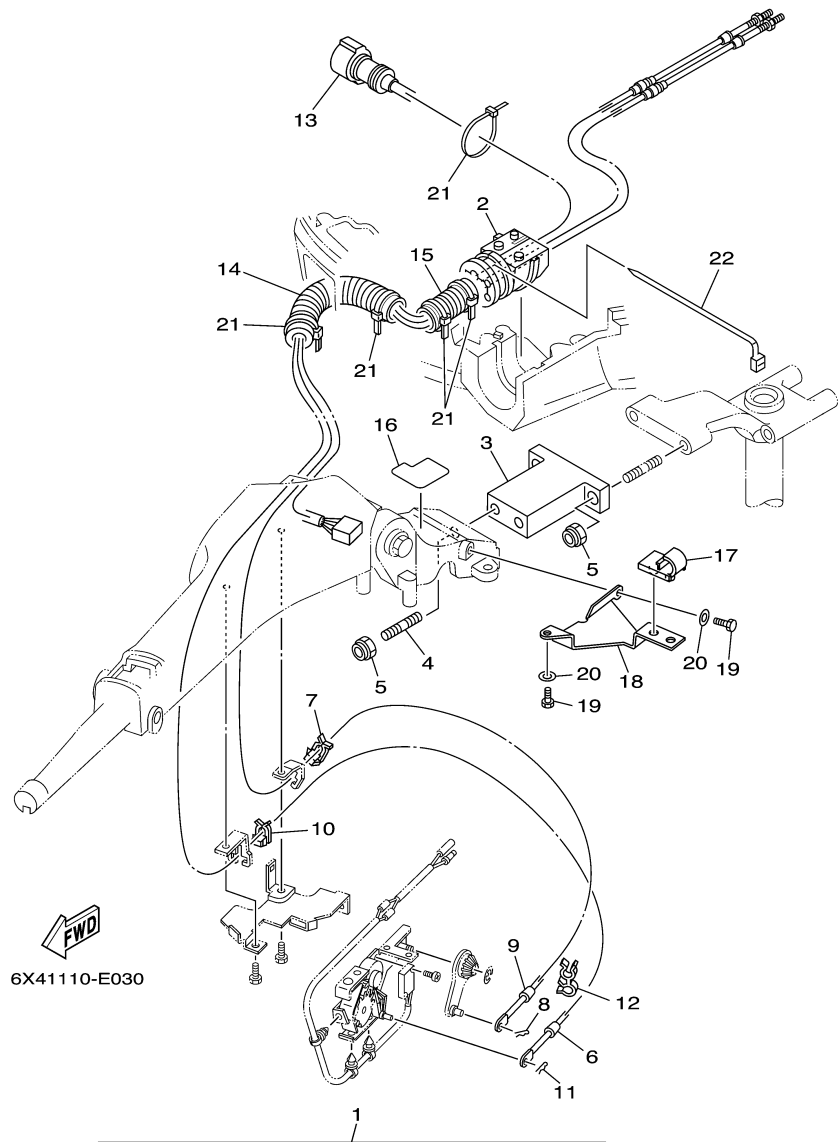
RIGGING 2007 0406 / TILLER HANDLE ELECTRICAL

REF - NO	PART NUMBER	PART NAME	QUANTITY	REMARKS
1	6X4-82510-00-00	MAIN SWITCH ASSY	1	
2	676-82577-00-00	.CAP, KEY	1	
3	90464-08M07-00	CLAMP	1	
4	69W-82575-00-00	ENGINE STOP SWITCH ASSY	1	
5	682-82556-00-00	.LANYARD, STOP SWITCH	1	
6	689-8257Y-00-00	.CAP	1	
7	6X4-82563-00-00	TRIM & TILT SWITCH ASSY	1	
8	97880-06016-00	SCREW, PAN HEAD	1	
9	92990-06600-00	WASHER, PLATE	1	
10	6X4-83383-00-00	BUZZER	1	
11	6X4-83386-00-00	STAY, BUZZER	1	
12	97095-06014-00	BOLT	1	
13	6X4-81942-00-00	COVER	1	

Part Notes

RIGGING 2007 0406 / TILLER HANDLE ELECTRICAL

PART NUMBER		NOTE TEXT
682-82556-00-00		OEM: This part number is among the Top 100 Most Popular Marine Maintenance Parts as of February 2013.
92990-06600-00		OEM: This part number is among the Top 100 Most Popular Marine Maintenance Parts as of February 2013.



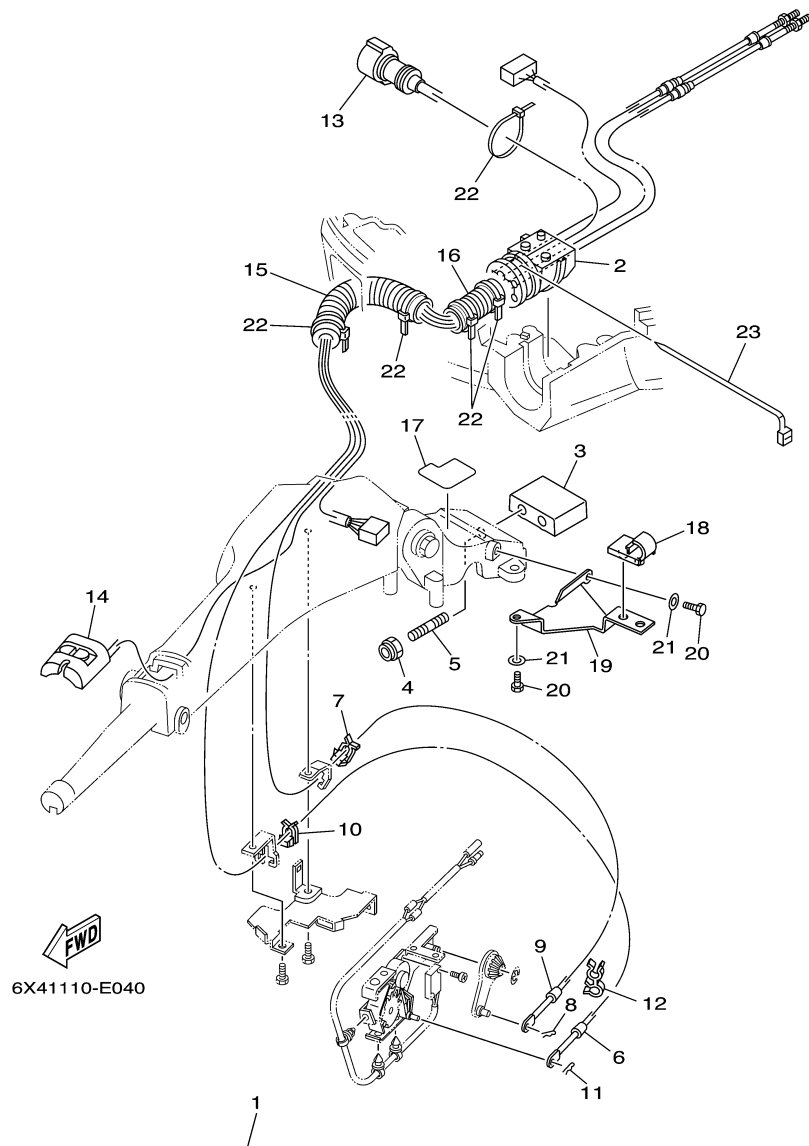
6X41110-E030

FITTING KIT
TILLER HANDLE FITTING KIT F115, Ref. No. 2 to 22
TILLER HANDLE STEERING FRICTION F75 F90 F115, Ref. No. 1 to 17

Part List

RIGGING 2007 0406 / TILLER HANDLE FITTING KIT F115

REF - NO	PART NUMBER	PART NAME	QUANTITY	REMARKS
1	6X4-42102-00-00	FITTING KIT	1	
2	68V-42725-10-00	GROMMET	1	
3	6X4-42121-10-4D	BRACKET	1	
4	90116-10175-00	BOLT, STUD	2	
5	90185-10051-00	NUT, SELF-LOCKING	4	
6	67G-48321-20-00	CABLE	1	
7	63D-48538-00-00	CLAMP, CABLE 1	1	
8	90468-10005-00	CLIP	1	
9	67G-26301-10-00	THROTTLE CABLE ASSY	1	
10	63D-48538-00-00	CLAMP, CABLE 1	1	
11	90468-10005-00	CLIP	1	
12	90464-09M42-00	CLAMP	1	
13	6X4-82586-20-00	EXT., WIRE HARNESS (L:1.25M)	1	
14	90447-22007-00	TUBE	1	
15	6G5-83557-00-00	TUBE	1	
16	6X4-42735-00-00	PROTECTOR	1	
17	63D-24367-00-00	CLAMP, FUEL PIPE 2	1	
18	6X4-24364-00-00	STAY	1	
19	97095-06016-00	BOLT	2	
20	92995-06600-00	WASHER	2	
21	90465-13M24-00	CLAMP	5	
22	90465-13M30-00	CLAMP	1	

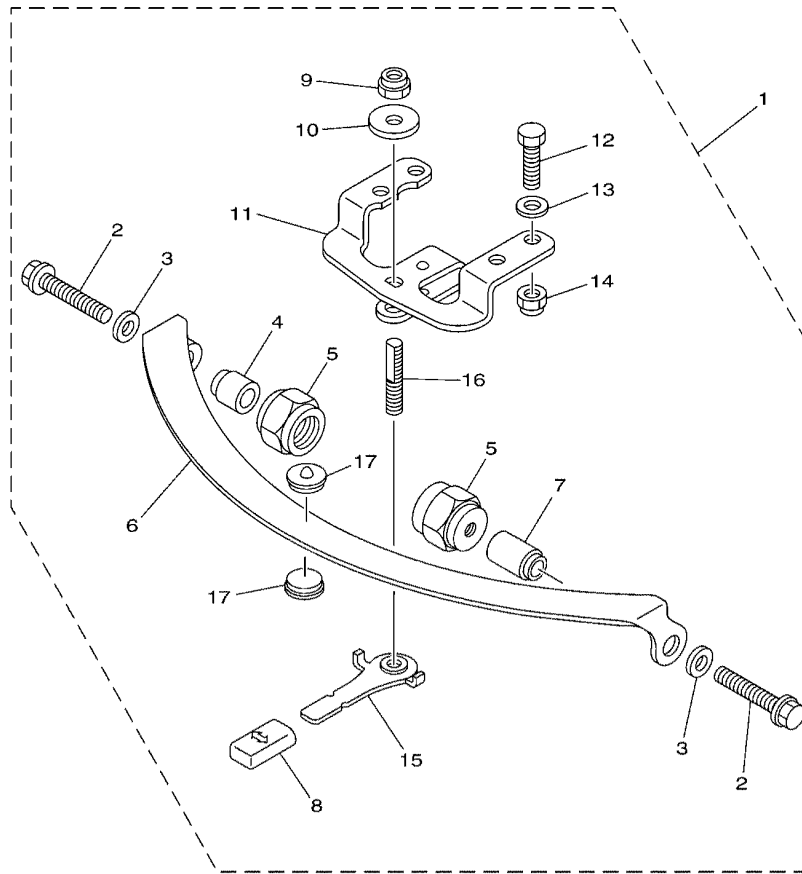


FITTING KIT
TILLER HANDLE FITTING KIT F75 F90, Ref. No. 2 to 23
TILLER HANDLE STEERING FRICTION F75 F90 F115, Ref. No. 1 to 17

Part List

RIGGING 2007 0406 / TILLER HANDLE FITTING KIT F75 F90

REF - NO	PART NUMBER	PART NAME	QUANTITY	REMARKS
1	6X4-42102-10-00	FITTING KIT	1	
2	68V-42725-00-00	GROMMET	1	
3	6X4-42121-00-4D	BRACKET	1	
4	90185-10051-00	NUT, SELF-LOCKING	2	
5	90116-10031-00	BOLT, STUD	2	
6	67G-48321-20-00	CABLE	1	
7	63D-48538-00-00	CLAMP, CABLE 1	1	
8	90468-10005-00	CLIP	1	
9	67G-26301-10-00	THROTTLE CABLE ASSY	1	
10	63D-48538-00-00	CLAMP, CABLE 1	1	
11	90468-10005-00	CLIP	1	
12	90464-09M42-00	CLAMP	1	
13	6X4-82586-20-00	EXT., WIRE HARNESS (L:1.25M)	1	
14	6X4-81860-00-00	SWITCH ASSY	1	
15	90447-22007-00	TUBE	1	
16	6K3-83557-00-00	TUBE	1	
17	6X4-42735-00-00	PROTECTOR	1	
18	63D-24367-00-00	CLAMP, FUEL PIPE 2	1	
19	6X4-24364-00-00	STAY	1	
20	97095-06016-00	BOLT	1	
21	92995-06600-00	WASHER	2	
22	90465-14M24-00	CLAMP	5	
23	90465-13M30-00	CLAMP	1	

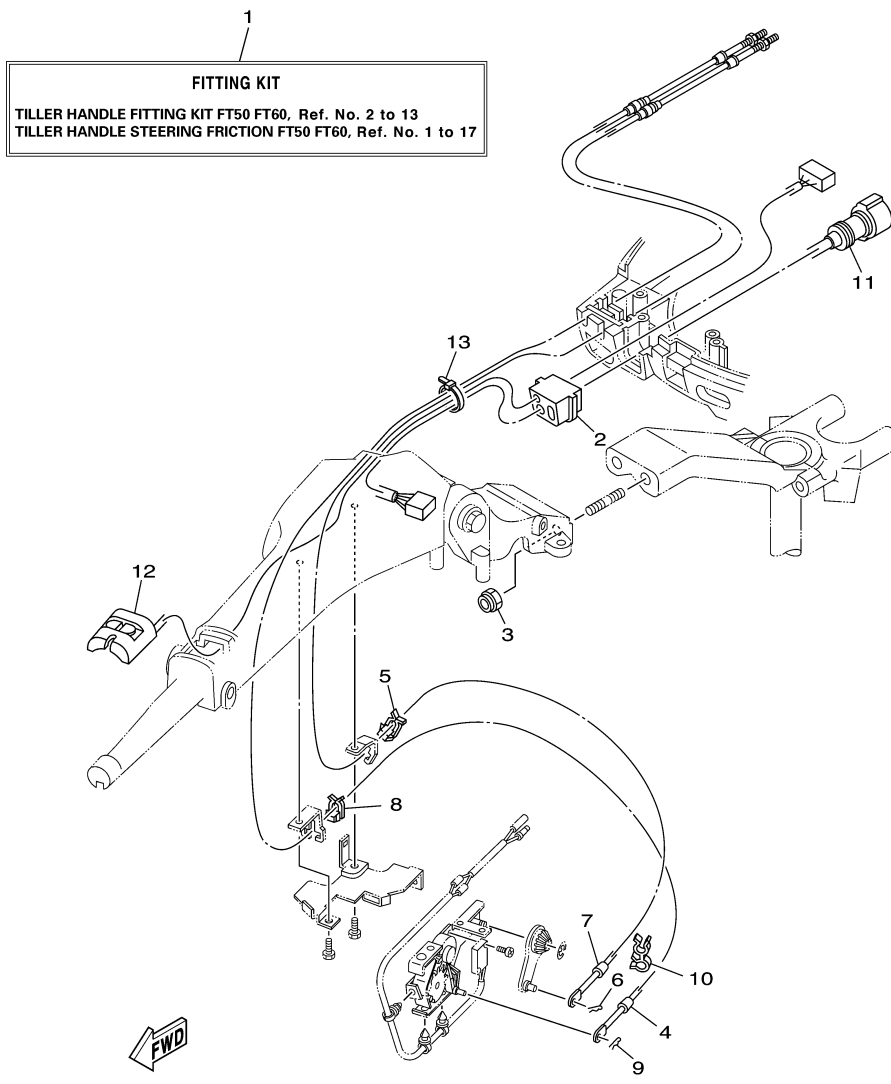


6X41110-E050

Part List

RIGGING 2007 0406 / TILLER HANDLE STEERING FRICTION F75 F90 F115

REF - NO	PART NUMBER	PART NAME	QUANTITY	REMARKS
1	67G-42508-00-00	STEERING FRICTION ASSY	1	
2	90119-08M74-00	.BOLT, WITH WASHER	1	
3	90201-08M01-00	.WASHER, PLATE	2	
4	67G-42541-00-00	.PIPE 1	1	
5	67G-42546-00-00	.NUT	2	
6	63D-42527-00-00	.PLATE, FRICTION	1	
7	67G-42541-10-00	.PIPE 1	1	
8	682-43318-01-00	.COVER	1	
9	90185-10M14-00	.NUT, SELF-LOCKING	1	
10	90201-10M76-00	.WASHER, PLATE	1	
11	6X4-42526-00-00	.PLATE, FRICTION	1	
12	97095-08025-00	.BOLT	2	
13	92995-086-00-00	.WASHER	2	
14	90185-08057-00	.NUT, SELF-LOCKING	2	
15	67G-42561-00-00	.KNOB, STEERING LOCK	1	
16	67G-42562-00-00	.SHAFT, STEERING LOCK	1	
17	63D-42528-00-00	.PLATE, FRICTION	2	

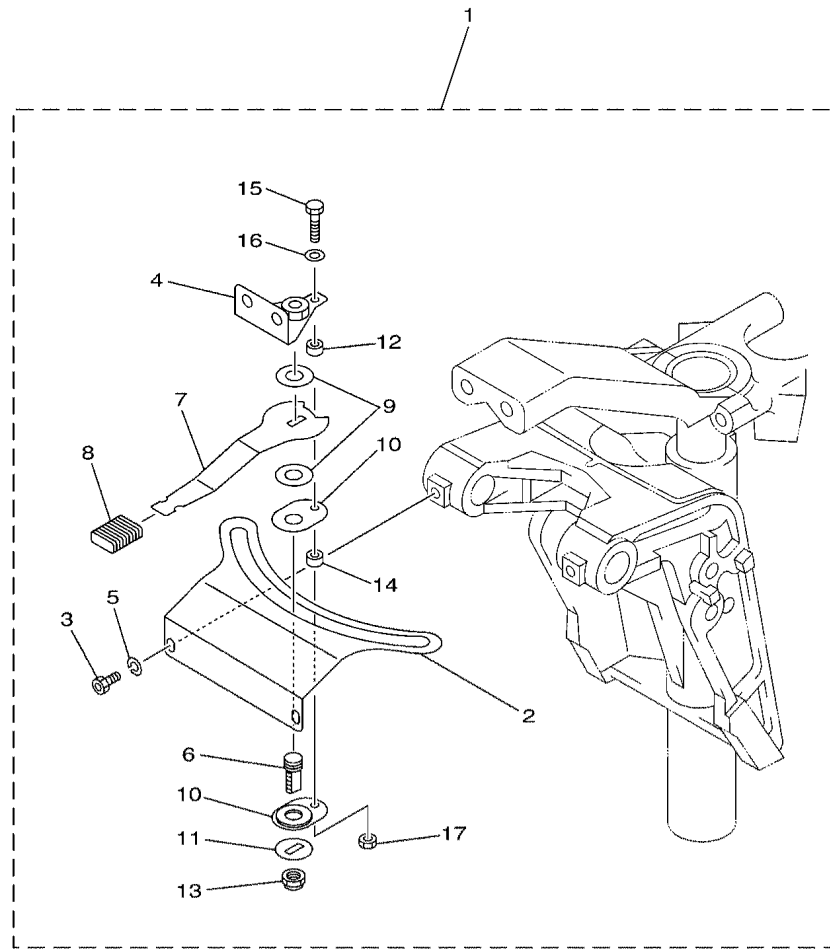


6X41110-E060

Part List

RIGGING 2007 0406 / TILLER HANDLE FITTING KIT FT50 FT60

REF - NO	PART NUMBER	PART NAME	QUANTITY	REMARKS
1	6X4-42102-20-00	FITTING KIT	1	
2	6C5-42725-30-00	GROMMET	1	
3	90185-10051-00	NUT, SELF-LOCKING	2	
4	67C-48321-10-00	CABLE	1	
5	63D-48538-00-00	CLAMP, CABLE 1	1	
6	90468-10005-00	CLIP	1	
7	69W-26301-00-00	THROTTLE CABLE ASSY	1	
8	63D-48538-00-00	CLAMP, CABLE 1	1	
9	90468-10005-00	CLIP	1	
10	90464-09M42-00	CLAMP	1	
11	6X4-82586-10-00	EXT., WIRE HARNESS (L:950MM)	1	
12	6X4-81860-00-00	SWITCH ASSY	1	
13	90465-13M36-00	CLAMP	1	

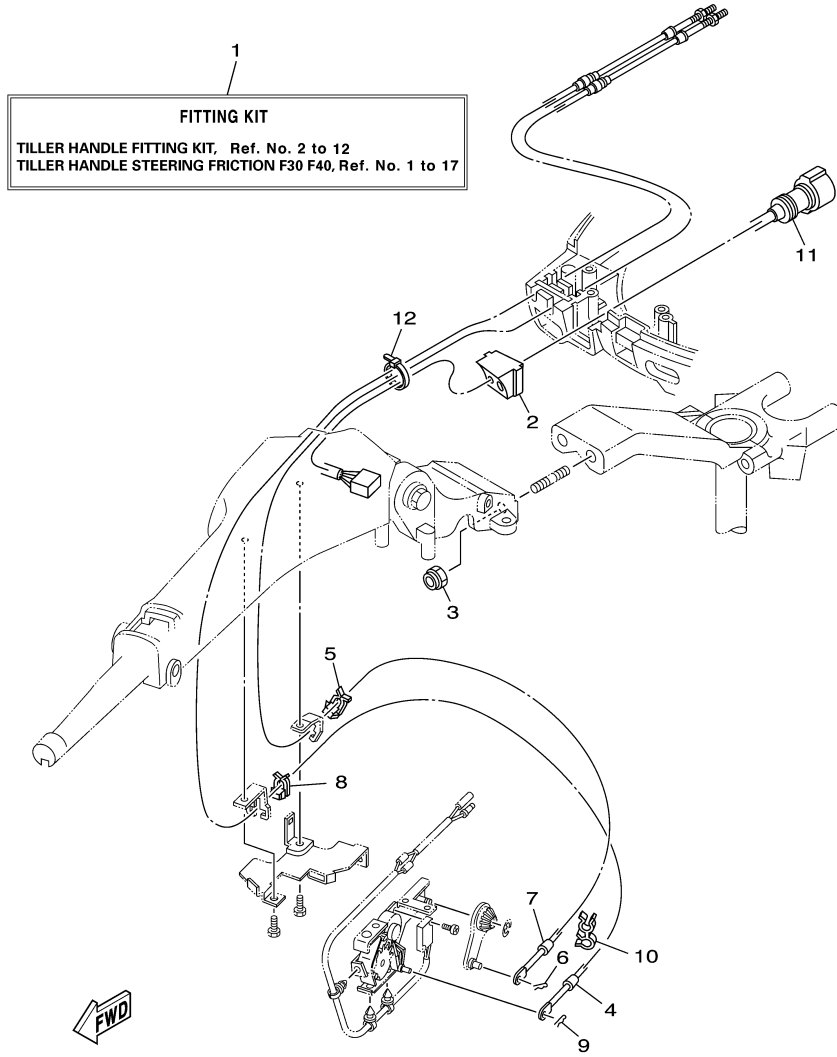


6C11010-D220

Part List

RIGGING 2007 0406 / TILLER HANDLE STEERING FRICTION FT50 FT60

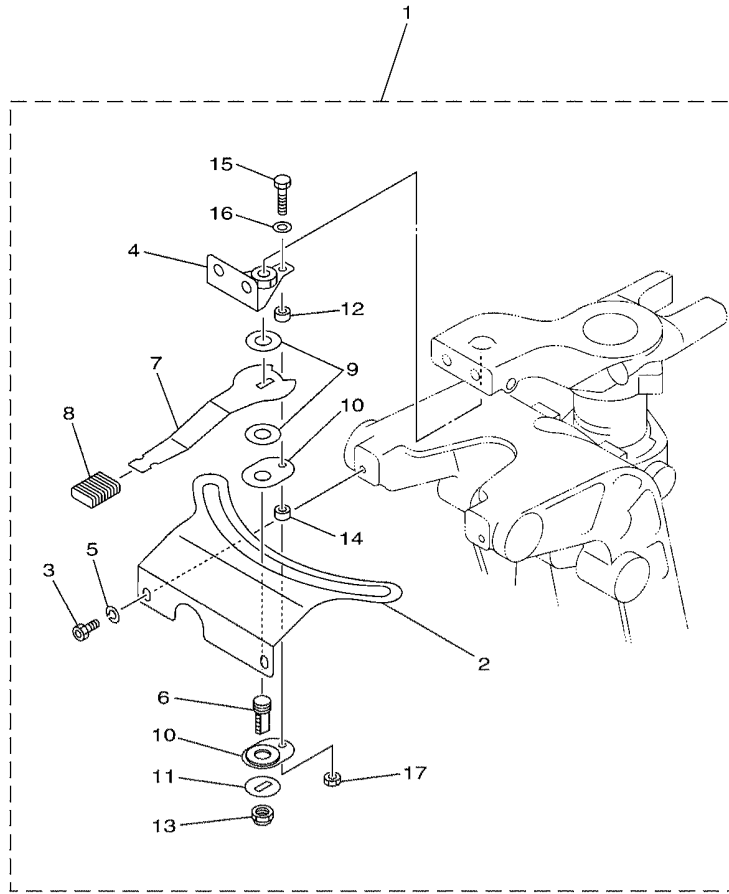
REF - NO	PART NUMBER	PART NAME	QUANTITY	REMARKS
1	6C5-42508-00-00	STEERING FRICTION ASSY	1	
2	6C5-42527-00-00	.PLATE, FRICTION	1	
3	90109-06M88-00	.BOLT	2	
4	67C-42525-00-00	.PLATE, FRICTION	1	
5	92990-06100-00	.WASHER, SPRING	2	
6	67C-42562-00-00	.SHAFT, STEERING LOCK	1	
7	67C-42561-00-00	.KNOB, STEERING LOCK	1	
8	689-43633-00-00	.COVER, TILT LEVER	1	
9	90202-10M56-00	.WASHER, PLATE	2	
10	65W-42528-00-00	.PLATE, FRICTION	2	
11	90209-10M26-00	.WASHER	1	
12	90387-05M05-000	.COLLAR	1	
13	90185-10M14-00	.NUT, SELF-LOCKING	1	
14	90387-05M11-00	.COLLAR	1	
15	97095-05020-00	.BOLT	1	
16	92995-05600-00	.WASHER	1	
17	95380-05600-00	.NUT	1	



Part List

RIGGING 2007 0406 / TILLER HANDLE FITTING KIT F40

REF - NO	PART NUMBER	PART NAME	QUANTITY	REMARKS
1	6X4-42102-30-00	FITTING KIT	1	
2	62Y-42725-30-00	GROMMET	1	
3	90185-10051-00	NUT, SELF-LOCKING	2	
4	67C-48321-10-00	CABLE	1	
5	63D-47538-00-00	CLAMP, CABLE 1	1	
6	90468-10005-00	CLIP	1	
7	69W-26301-00-00	THROTTLE CABLE ASSY	1	
8	63D-48538-00-00	CLAMP, CABLE 1	1	
9	90468-10005-00	CLIP	1	
10	90464-09M42-00	CLAMP	1	
11	6X4-82586-00-00	EXT., WIRE HARNESS (L:700MM)	1	
12	90465-13M36-00	CLAMP	1	

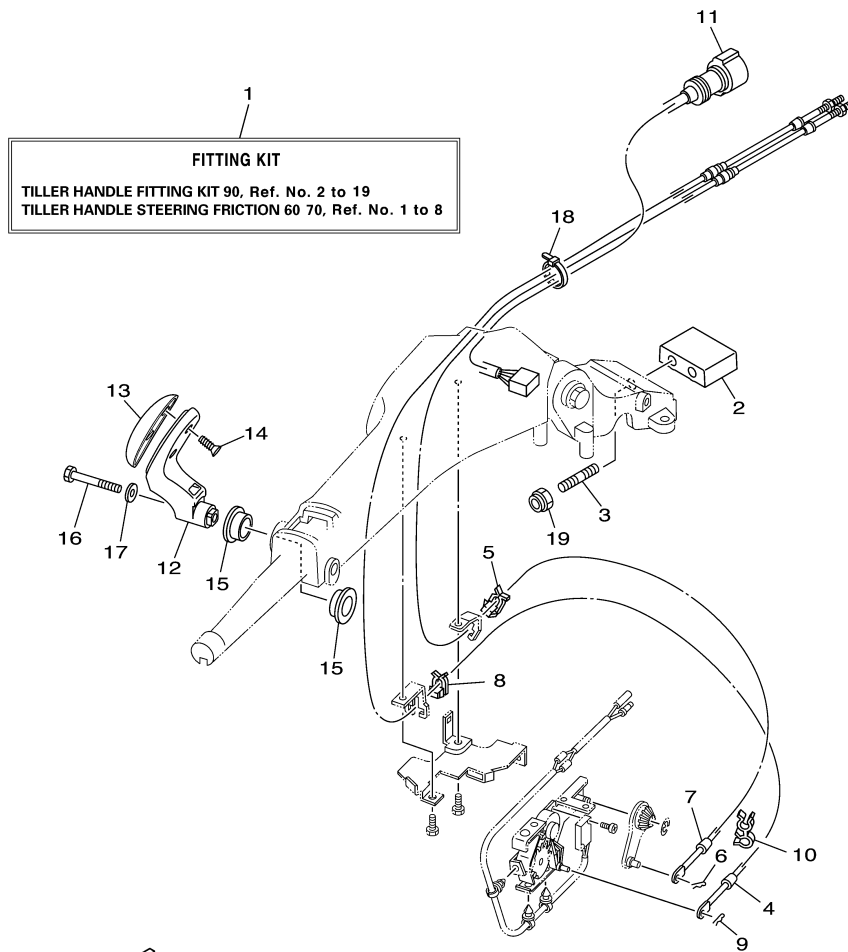


67C3100-C200

Part List

RIGGING 2007 0406 / TILLER HANDLE STEERING FRICTION F40

REF - NO	PART NUMBER	PART NAME	QUANTITY	REMARKS
1	67C-42508-03-00	STEERING FRICTION ASSY	1	
2	67C-42527-03-00	.PLATE, FRICTION	1	
3	90109-06M88-00	.BOLT	2	
4	67C-42525-00-00	.PLATE, FRICTION	1	
5	92990-06100-00	.WASHER, SPRING	2	
6	67C-42562-00-00	.SHAFT, STEERING LOCK	1	
7	67C-42561-00-00	.KNOB, STEERING LOCK	1	
8	689-43633-00-00	.COVER, TILT LEVER	1	
9	90202-10M56-00	.WASHER, PLATE	2	
10	65W-42528-00-00	.PLATE, FRICTION	2	
11	90209-10M26-00	.WASHER	1	
12	90387-05M05-00	.COLLAR	1	
13	90185-10M14-00	.NUT, SELF-LOCKING	1	
14	90387-05M11-00	.COLLAR	1	
15	97095-05020-00	.BOLT	1	
16	92995-05600-00	.WASHER	1	
17	95380-05600-00	.NUT	1	



1

FITTING KIT

TILLER HANDLE FITTING KIT 90, Ref. No. 2 to 19
TILLER HANDLE STEERING FRICTION 60 70, Ref. No. 1 to 8

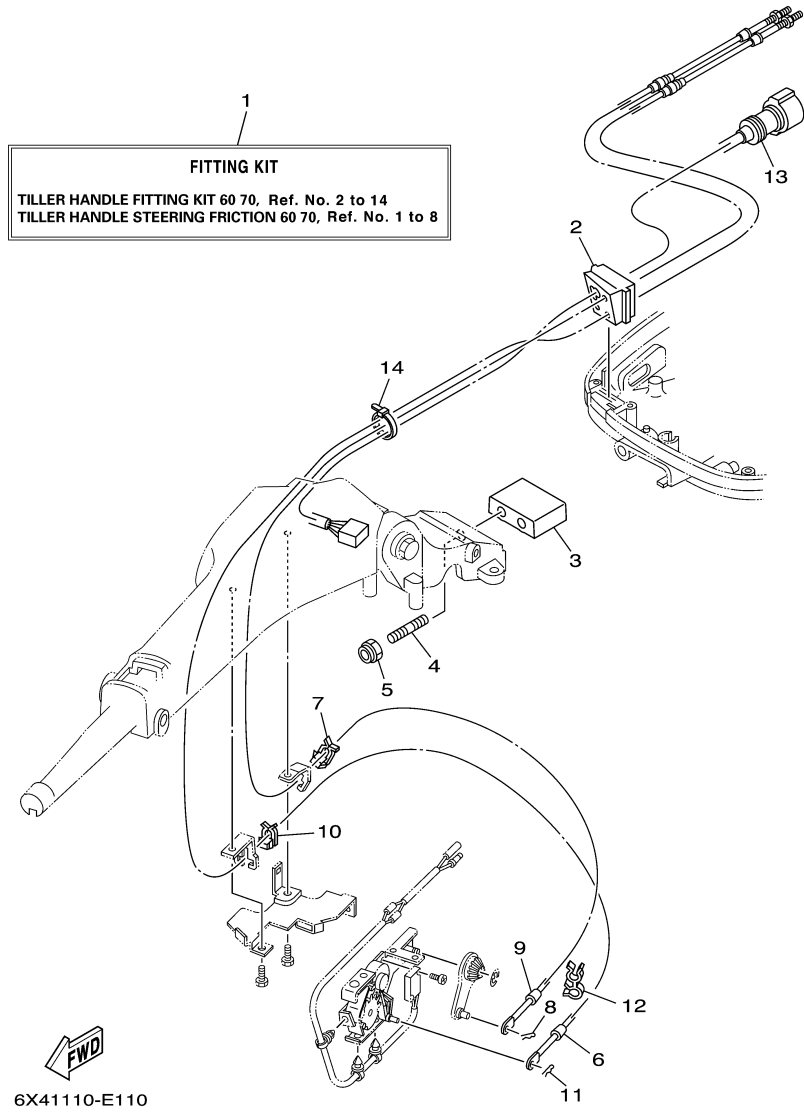


6X41110-E100

Part List

RIGGING 2007 0406 / TILLER HANDLE FITTING KIT 90

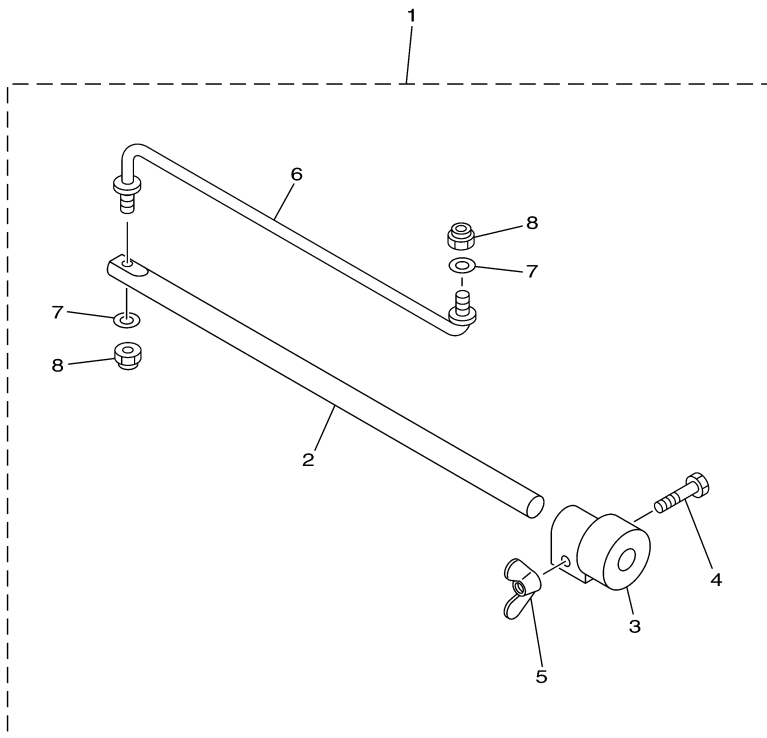
REF - NO	PART NUMBER	PART NAME	QUANTITY	REMARKS
1	6X4-42102-40-00	FITTING KIT	1	
2	6X4-42121-00-4D	BRACKET	1	
3	90116-10031-00	BOLT, STUD	2	
4	6H1-48321-10-00	CABLE	1	
5	63D-48538-00-00	CLAMP, CABLE 1	1	
6	90468-10005-00	CLIP	1	
7	6H1-26301-01-00	THROTTLE CABLE ASSY	1	
8	63D-48538-00-00	CLAMP, CABLE 1	1	
9	90468-10005-00	CLIP	1	
10	90464-09M42-00	CLAMP	1	
11	6X4-82586-30-00	EXTENSION, WIRE HARNESS	1	
12	6X4-44159-10-4D	HANDLE, GEAR SHIFT	1	
13	6X4-44173-00-00	LEVER, SHIFT CONTROL	1	
14	97780-60920-00	SCREW, TAPPING	2	
15	90386-26MA3-00	BUSH	1	
16	97095-08040-00	BOLT	1	
17	92995-08600-00	WASHER	1	
18	90465-13M36-00	CLAMP	1	
19	90185-10051-00	NUT, SELF-LOCKING	2	



Part List

RIGGING 2007 0406 / TILLER HANDLE FITTING KIT 70

REF - NO	PART NUMBER	PART NAME	QUANTITY	REMARKS
1	6X4-42102-51-00	FITTING KIT	1	
2	6H3-42725-30-00	GROMMET	1	
3	6X4-42121-00-4D	BRACKET	1	
4	90116-10031-00	BOLT, STUD	2	
5	90185-10051-00	NUT, SELF-LOCKING	2	
6	6H3-48321-10-00	CABLE	1	
7	63D-48538-00-00	CLAMP, CABLE 1	1	
8	90468-10005-00	CLIP	1	
9	6H3-26301-01-00	THROTTLE CABLE ASSY	1	
10	63D-48538-00-00	CLAMP, CABLE 1	1	
11	90468-10005-00	CLIP	1	
12	90464-09M42-00	CLAMP	1	
13	6X4-82586-30-00	EXTENSION, WIRE HARNESS	1	
14	90465-13M36-00	CLAMP	1	

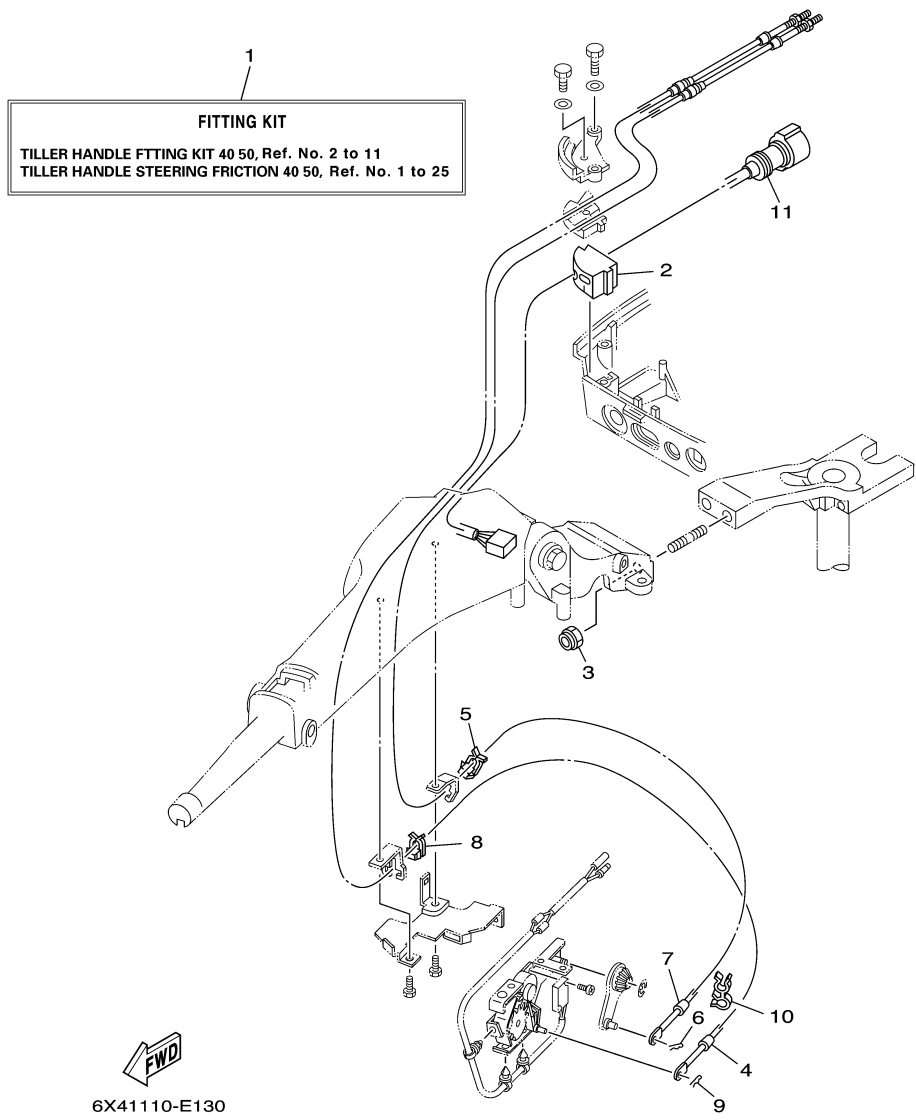


6X41110-E120

Part List

RIGGING 2007 0406 / TILLER HANDLE STEERING FRICTION 70 90

REF - NO	PART NUMBER	PART NAME	QUANTITY	REMARKS
1	692-42508-01-00	STEERING FRICTION ASSY	1	
2	663-42518-00-00	.SHAFT, FRICTION	1	
3	663-42528-00-00	.PLATE, FRICTION	1	
4	97080-06035-00	.BOLT	1	
5	90175-06003-00	.NUT, WING	1	
6	692-42515-01-00	.ROD, STEERING LINK	1	
7	92990-08600-00	.WASHER, PLATE	2	
8	90185-08057-00	.NUT, SELF-LOCKING	2	

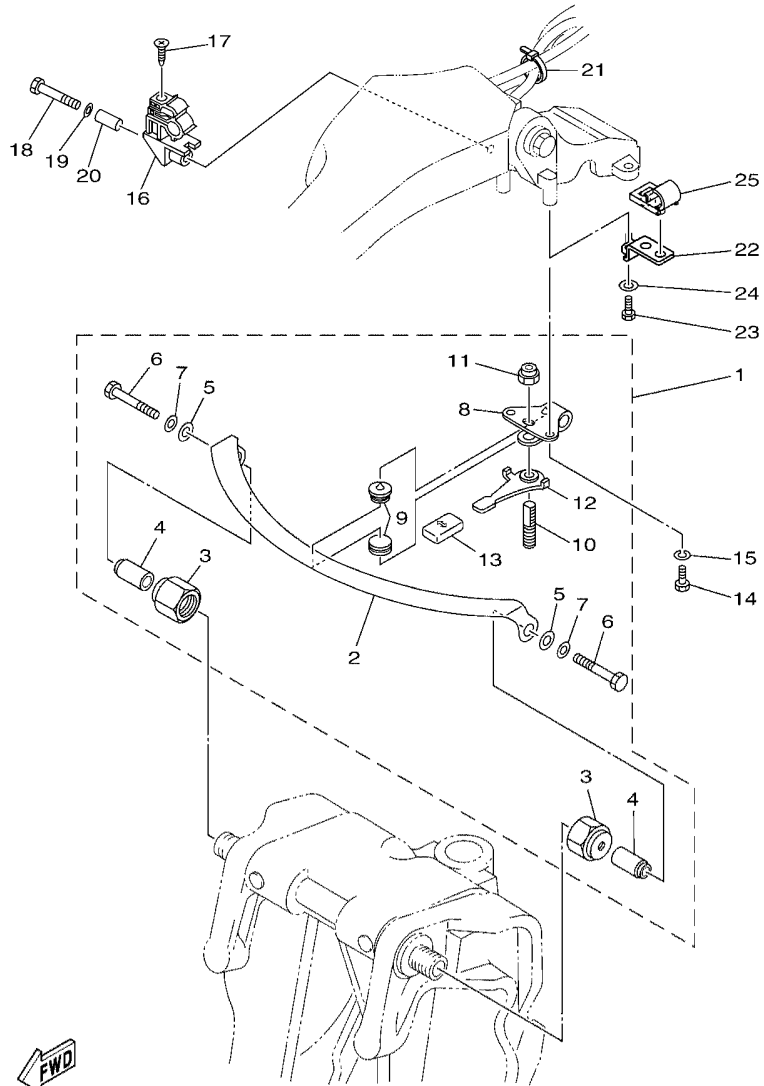



6X41110-E130

Part List

RIGGING 2007 0406 / TILLER HANDLE FITTING KIT 50

REF - NO	PART NUMBER	PART NAME	QUANTITY	REMARKS
1	6X4-42102-60-00	FITTING KIT	1	
2	6H4-42724-20-00	GROMMET	1	
3	90185-10051-00	NUT, SELF-LOCKING	2	
4	63D-48321-10-00	CABLE	1	
5	63D-48338-00-00	CLAMP, CABLE 1	1	
6	90468-10005-00	CLIP	1	
7	63D-26301-01-00	THROTTLE CABLE ASSY	1	
8	63D-48538-00-00	CLAMP, CABLE 1	1	
9	90468-10005-00	CLIP	1	
10	90464-09M42-00	CLAMP	1	
11	6X4-82586-00-00	EXT., WIRE HARNESS (L:700MM)	1	



62XA100-E180


Part List

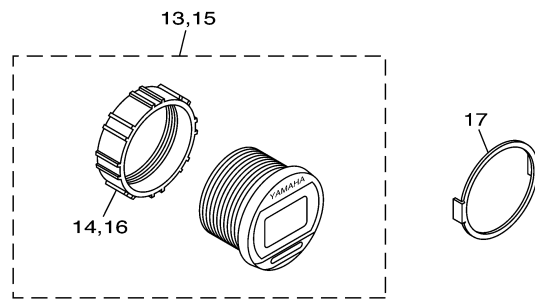
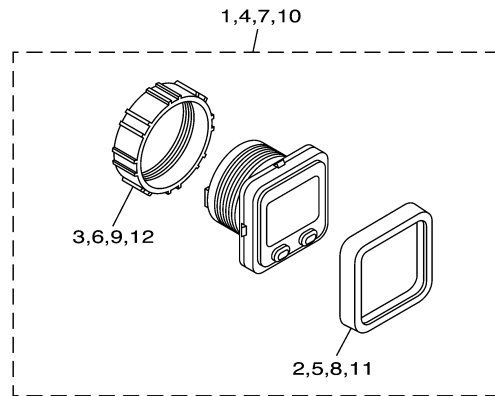
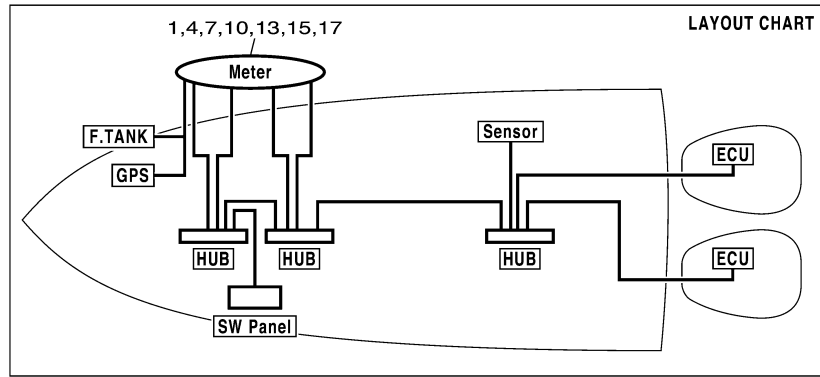
RIGGING 2007 0406 / TILLER HANDLE STEERING FRICTION 50

REF - NO	PART NUMBER	PART NAME	QUANTITY	REMARKS
1	63D-42508-00-00	STEERING FRICTION ASSY	1	
2	63D-42527-00-00	.PLATE, FRICTION	1	
3	63D-42546-00-00	.NUT	2	
4	63D-42541-00-00	.PIPE 1	2	
5	90201-08M01-00	.WASHER, PLATE	1	
6	97095-08050-00	.BOLT	2	
7	92990-08600-00	.WASHER, PLATE	2	
8	63D-42526-00-00	.PLATE, FRICTION	1	
9	63D-42528-00-00	.PLATE, FRICTION	2	
10	63D-42562-00-00	.SHAFT, STEERING LOCK	1	
11	90185-10M01-00	.NUT, SELF-LOCKING	1	
12	63D-42561-00-00	.KNOB, STEERING LOCK	1	
13	682-43318-01-00	.COVER	1	
14	97095-06016-00	BOLT	2	
15	92995-06100-00	WASHER, SPRING	1	
16	63D-82361-00-00	CLAMP, CORD	1	
17	90161-06M00-00	SCREW, TAPPING	1	
18	97095-06035-00	BOLT	1	
19	92995-06600-00	WASHER	1	
20	90387-06M26-00	COLLAR	1	
21	90465-13M36-00	CLAMP	1	
22	63D-24364-10-00	STAY	1	
23	97095-06016-00	BOLT	1	
24	92995-06600-00	WASHER	1	
25	63D-24367-00-00	CLAMP, FUEL PIPE 2	1	

Part Notes

RIGGING 2007 0406 / TILLER HANDLE STEERING FRICTION 50

PART NUMBER	NOTE TEXT
92995-06100-00 	OEM: This part number is among the Top 100 Most Popular Marine Maintenance Parts as of February 2013.

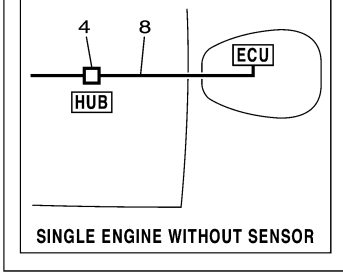
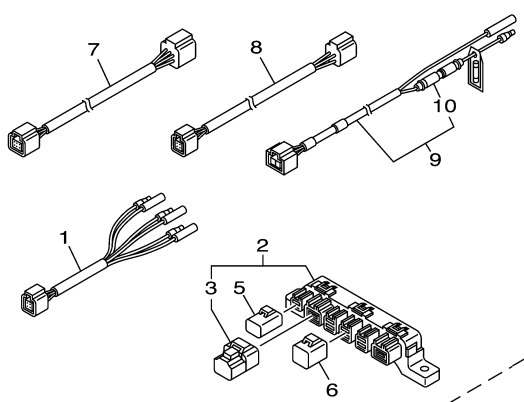
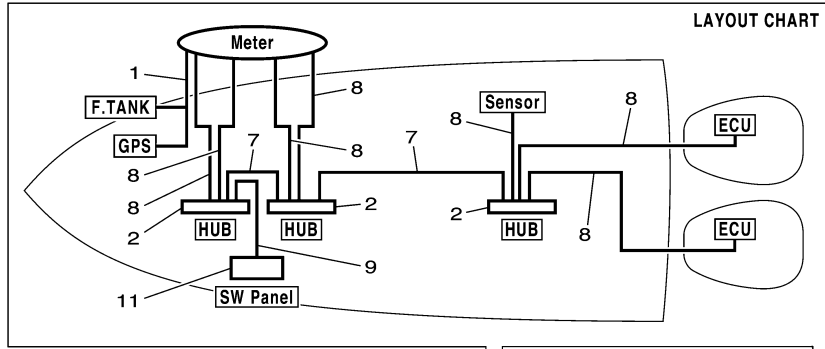


6Y82110-E010

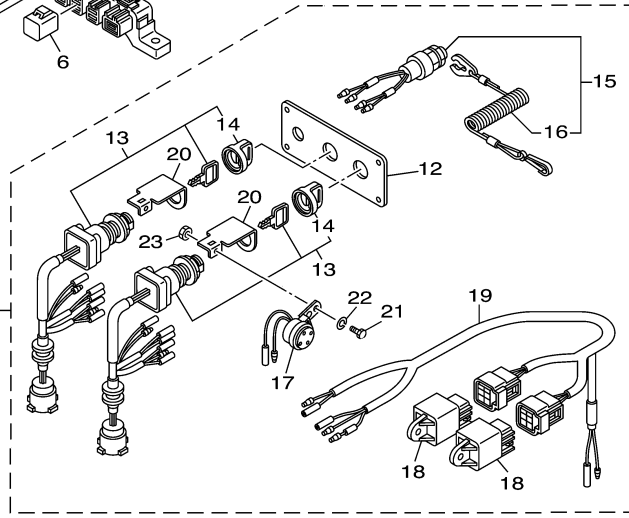
Part List

RIGGING 2007 0406 / COMMAND LINK INSTRUMENTS

REF - NO	PART NUMBER	PART NAME	QUANTITY	REMARKS
1	6Y8-8350T-01-00	TACHOMETER, SQ	1	
2	6Y8-83363-00-00	.BEZEL, SQUARE	1	
3	6Y8-84383-00-00	.NUT, RING	1	
4	6Y8-83501-01-00	SPEEDOMETER, SQUARE	1	
5	6Y8-83363-00-00	.BEZEL, SQUARE	1	
6	6Y8-84383-00-00	.NUT, RING	1	
7	6Y8-8350F-01-00	FL MGT METER, SQ	1	FUEL MANAGEMENT
8	6Y8-83363-00-00	.BEZEL, SQUARE	1	
9	6Y8-84383-00-00	.NUT, RING	1	
10	6Y8-83500-01-00	S&FM METER, SQ	1	SPEED & FUEL MANAGEMENT
11	6Y8-83363-00-00	.BEZEL, SQUARE	1	
12	6Y8-84383-00-00	.NUT, RING	1	
13	6Y8-8350T-11-00	TACHOMETER, RD	1	
14	6Y8-84383-00-00	.NUT, RING	1	
15	6Y8-83500-11-00	S&FM METER, RD	1	SPEED & FUEL MANAGEMENT
16	6Y8-84383-00-00	.NUT, RING	1	
17	6Y8-83514-00-00	PLATE, FITTING	1	UN



6Y82110-E020




Part List

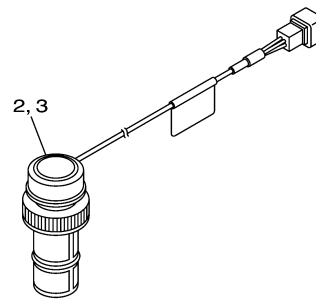
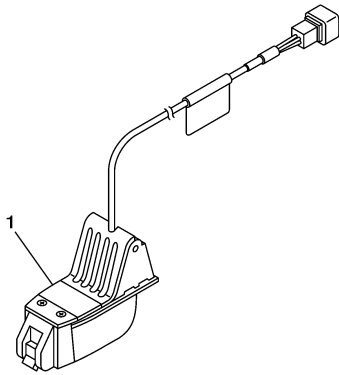
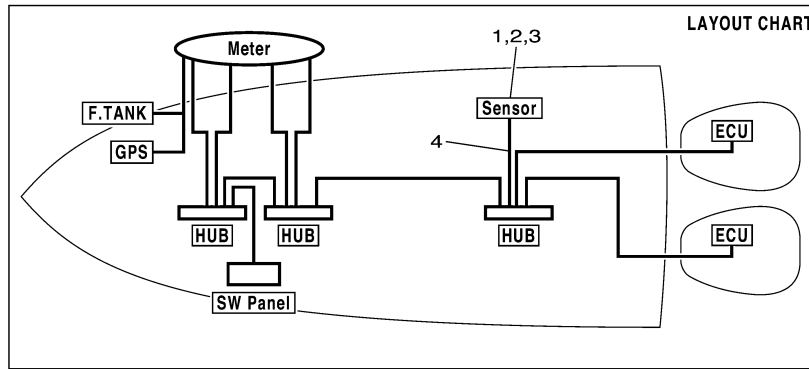
RIGGING 2007 0406 / COMMAND LINK ELECTRICAL 1

REF - NO	PART NUMBER	PART NAME	QUANTITY	REMARKS
1	6Y8-8356N-01-00	LEAD, FUEL TANK & GPS SENDER	1	
2	6Y8-81920-01-00	MULTI HUB ASSY	1	UN
3	6Y8-85371-01-00	.END OF LINE RESISTER	1	(GREY)
4	6Y8-81920-11-00	IN-LINE HUB ASSY	1	
5	6Y8-82582-01-00	CAP 1 (2PIN)	1	UN (RED)
6	6Y8-82582-11-00	CAP 1 (4PIN)	1	UN (WHITE)
7	6Y8-82553-01-00	1FT MAIN BUS	1	UR
7	6Y8-82553-21-00	20FT MAIN BUS	1	UR
7	6Y8-82553-31-00	25FT MAIN BUS	1	UR
7	6Y8-82553-41-00	30FT MAIN BUS	1	UR
7	6Y8-82553-50-00	10FT MAIN BUS	1	UR
7	6Y8-82553-11-00	15FT MAIN BUS	1	UR
8	6Y8-82521-51-00	12FT PIGTAIL BUS	1	UR
8	6Y8-82521-41-00	9FT PIGTAIL BUS	1	UR
8	6Y8-82521-31-00	6FT PIGTAIL BUS	1	UR
8	6Y8-82521-21-00	3FT PIGTAIL BUS	1	UR
8	6Y8-82521-11-00	2FT PIGTAIL BUS	1	UR
8	6Y8-82521-01-00	1FT PIGTAIL BUS	1	UR
9	6Y8-83553-01-00	8FT POWER WIRE	1	
10	6G1-82151-00-00	.FUSE (10A)	1	
11	6Y8-82570-01-00	PANEL SW., TWIN	1	
12	6Y8-82571-01-00	.PLATE, PANEL SWITCH	1	
13	6Y8-82510-01-00	.MAIN SWITCH ASSY	2	
14	676-82577-00-00	..CAP, KEY	1	
15	6K1-82575-00-00	.ENGINE STOP SWITCH ASSY	1	
16	682-82556-00-00	..LANYARD, STOP SWITCH	1	
17	6R5-83383-00-00	.BUZZER	2	
18	68V-81950-00-00	.RELAY ASSY	2	
19	6Y8-82507-00-00	.LEAD, IGNITION SWITCH RELAY	1	
20	64D-82581-00-00	.STAY, CORD CLAMP	2	
21	97303-05012-00	.BOLT	2	
22	92903-05100-00	.WASHER, SPRING	2	
23	95303-05700-00	.NUT	2	

Part Notes

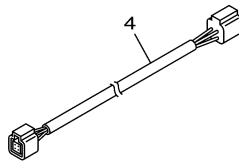
RIGGING 2007 0406 / COMMAND LINK ELECTRICAL 1

PART NUMBER	NOTE TEXT
682-82556-00-00 	OEM: This part number is among the Top 100 Most Popular Marine Maintenance Parts as of February 2013.



(TRIDUCER®)

6Y82110-E030



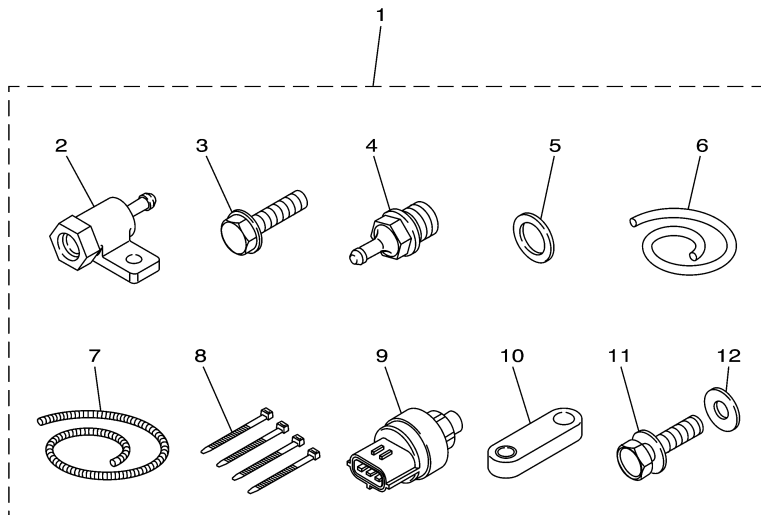
Part List

RIGGING 2007 0406 / COMMAND LINK ALTERNATE SENSORS 1

REF - NO	PART NUMBER	PART NAME	QUANTITY	REMARKS
1	6Y8-83688-01-00	TRANSOM MOUNT TRIDUCER	1	
2	6Y8-83688-11-00	PLASTIC THRU-HULL TRIDUCER	1	
3	6Y8-83688-20-00	BRONZE THRU-HULL TRIDUCER	1	
4	6Y8-82521-31-00	6FT PIGTAIL BUS	1	UR
4	6Y8-82521-41-00	9FT PIGTAIL BUS	1	UR
4	6Y8-82521-21-00	3FT PIGTAIL BUS	1	UR
4	6Y8-82521-51-00	12FT PIGTAIL BUS	1	UR
4	6Y8-82521-01-00	1FT PIGTAIL BUS	1	UR
4	6Y8-82521-11-00	2FT PIGTAIL BUS	1	UR

Cooling water pressure sensor

Models: F50, T50, F60, T60, F75, F90, (L)F115,
(L)Z150, VZ150, (V)Z175, (L)Z200,
VZ200, VZ225, (L)Z250, VZ250, (L)Z300, VZ300



6Y82110-E040

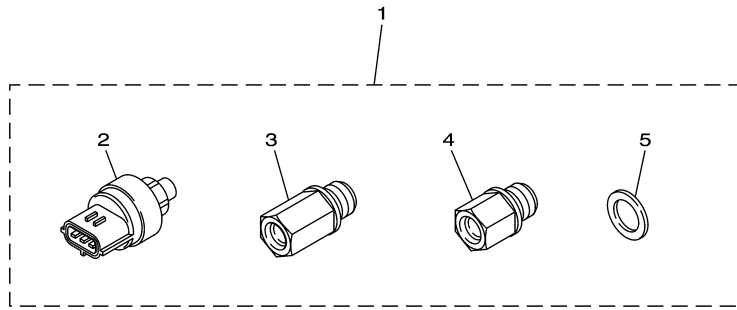
Part List

RIGGING 2007 0406 / COMMAND LINK ALTERNATE SENSORS 2

REF - NO	PART NUMBER	PART NAME	QUANTITY	REMARKS
1	60V-8A4L0-01-00	WATER PRESSURE SENSOR KIT	1	
2	60V-8366D-00-00	.ADAPTOR, INPUT	1	
3	95895-06025-00	.BOLT, FLANGE	1	EXCEPT F50/T50/F60/T60
4	60V-83667-00-00	.SENDER, WATER PRESSURE	1	
5	90430-14115-00	.GASKET	1	
6	90445-07018-00	.HOSE (L1400)	1	
7	90447-07015-00	.HOSE, COVER (L: 1300MM)	1	
8	90465-11M10-00	.CLAMP	4	
9	6Y5-8366B-00-00	.SENSOR, WATER PRESSURE	1	
10	60V-8257V-00-00	.PLATE, CONNECTOR	1	HPDI MODELS
11	97095-06016-00	.BOLT	1	F50/T50/F60/T60
12	92995-06600-00	.WASHER	1	F50/T50/F60/T60

Cooling water pressure sensor

Models: (L)F150, (L)F200, (L)F225, (L)F250



6Y82110-E050

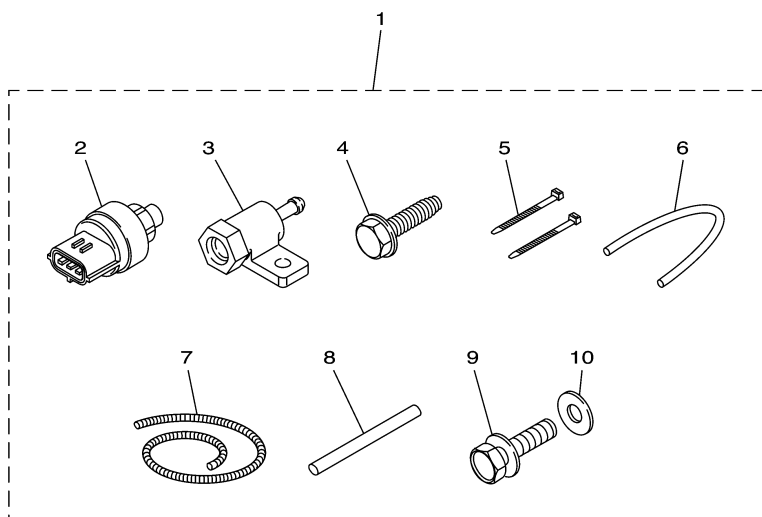
Part List

RIGGING 2007 0406 / COMMAND LINK ALTERNATE SENSORS 3

REF - NO	PART NUMBER	PART NAME	QUANTITY	REMARKS
1	69J-8A4L0-00-00	WATER PRESSURE SENSOR KIT	1	
2	6Y5-8366B-00-00	.SENSOR, WATER PRESSURE	1	
3	69J-8366C-00-00	.ADAPTOR, INPUT	1	FOR (L) F200/(L)F225
4	63P-8366C-00-00	.ADAPTOR, INPUT	1	FOR (L)F150/(L)F250
5	90430-14115-00	.GASKET	1	

Speed sensor

All models

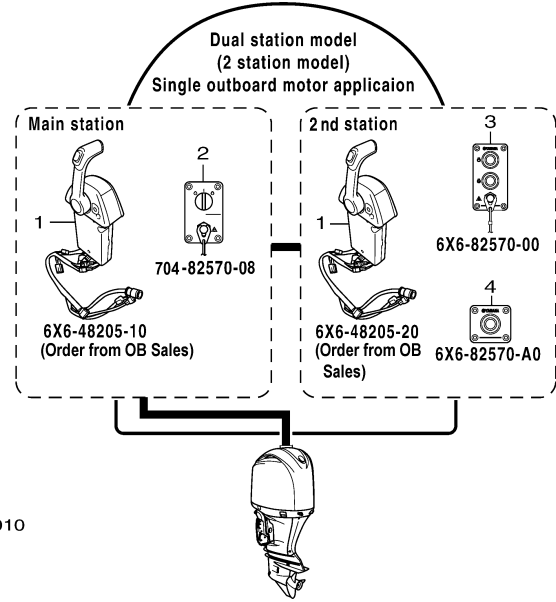
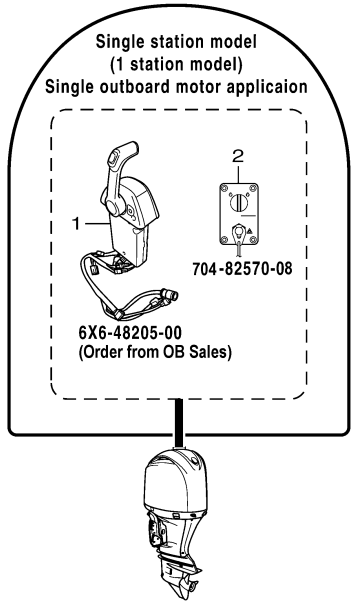


6Y82110-E060

Part List

RIGGING 2007 0406 / COMMAND LINK ALTERNATE SENSORS 4

REF - NO	PART NUMBER	PART NAME	QUANTITY	REMARKS
1	60V-8A4L1-10-00	SPEED SENSOR KIT	1	
2	6AW-8366B-00-00	.SENSOR, WATER PRESSURE	1	
3	60V-8366D-00-00	.ADAPTOR, INPUT	1	
4	90109-06M81-00	.BOLT	1	
5	90465-11M10-00	.CLAMP	2	
6	90445-07017-00	.HOSE (L: 550MM)	1	
7	90447-07013-00	.HOSE, COVER (L: 700MM)	1	
8	60V-42629-00-00	.SEAL	1	
9	97095-06016-00	.BOLT	1	
10	92995-06600-00	.WASHER	1	

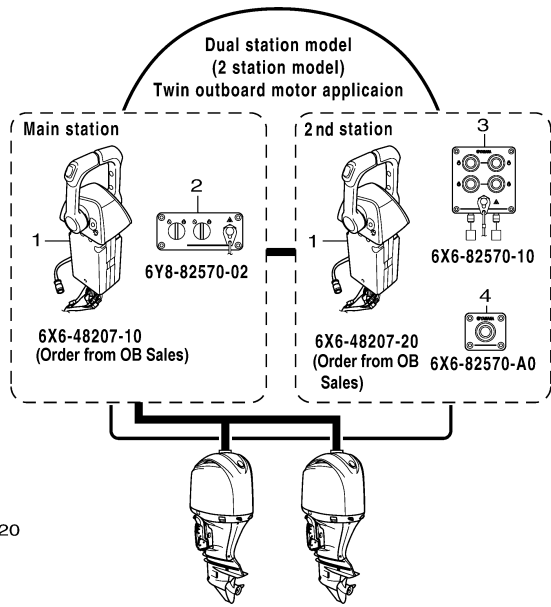
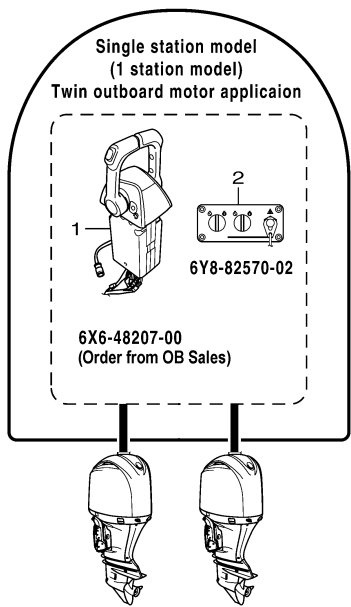


6X61100-G010

Part List

RIGGING 2007 0406 / DEC LAYOUT CHART (SINGLE)

REF - NO	PART NUMBER	PART NAME	QUANTITY	REMARKS
1	6X6-48205-00-00	REMOTE CONTROL ASSY (SINGLE)	1	ORDER FROM O/B SALES
1	6X6-48205-10-00	REMOTE CONTROL ASSY	1	ORDER FROM O/B SALES
1	6X6-48205-20-00	REMOTE CONTROL ASSY	1	ORDER FROM O/B SALES
2	704-82570-08-00	PANEL SWITCH ASSY	1	1 OR 2 STATION MAIN
3	6X6-82570-00-00	PANEL SWITCH ASSY (SINGLE)	1	2 STATION
4	6X6-82570-A0-00	PANEL SWITCH ASSY	2	2 STATION

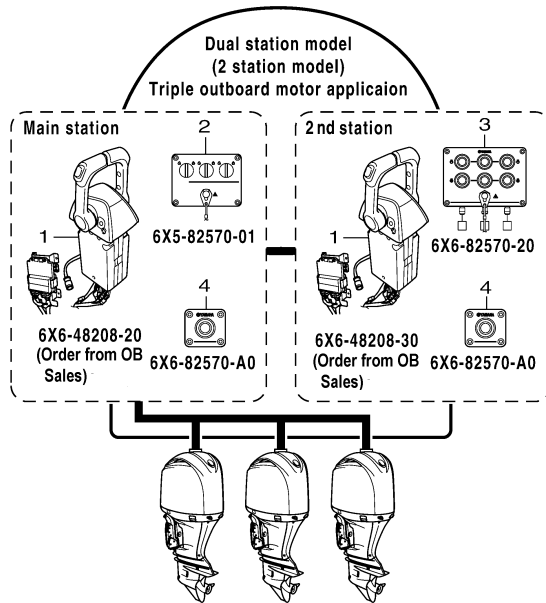


6X61100-G020

Part List

RIGGING 2007 0406 / DEC LAYOUT CHART (TWIN)

REF - NO	PART NUMBER	PART NAME	QUANTITY	REMARKS
1	6X6-48207-00-00	REMOTE CONTROL ASSY (TWIN)	1	ORDER FROM O/B SALES
1	6X6-48207-10-00	REMOTE CONTROL ASSY	1	ORDER FROM O/B SALES
1	6X6-48207-20-00	REMOTE CONTROL ASSY	1	ORDER FROM O/B SALES
2	6Y8-82570-02-00	PANEL SW., TWIN	1	1 OR 2 STATION MAIN
3	6X6-82570-10-00	PANEL SWITCH ASSY (TWIN)	1	2 STATION 2ND HELM
4	6X6-82570-A0-00	PANEL SWITCH ASSY	2	2 STATION 2ND HELM

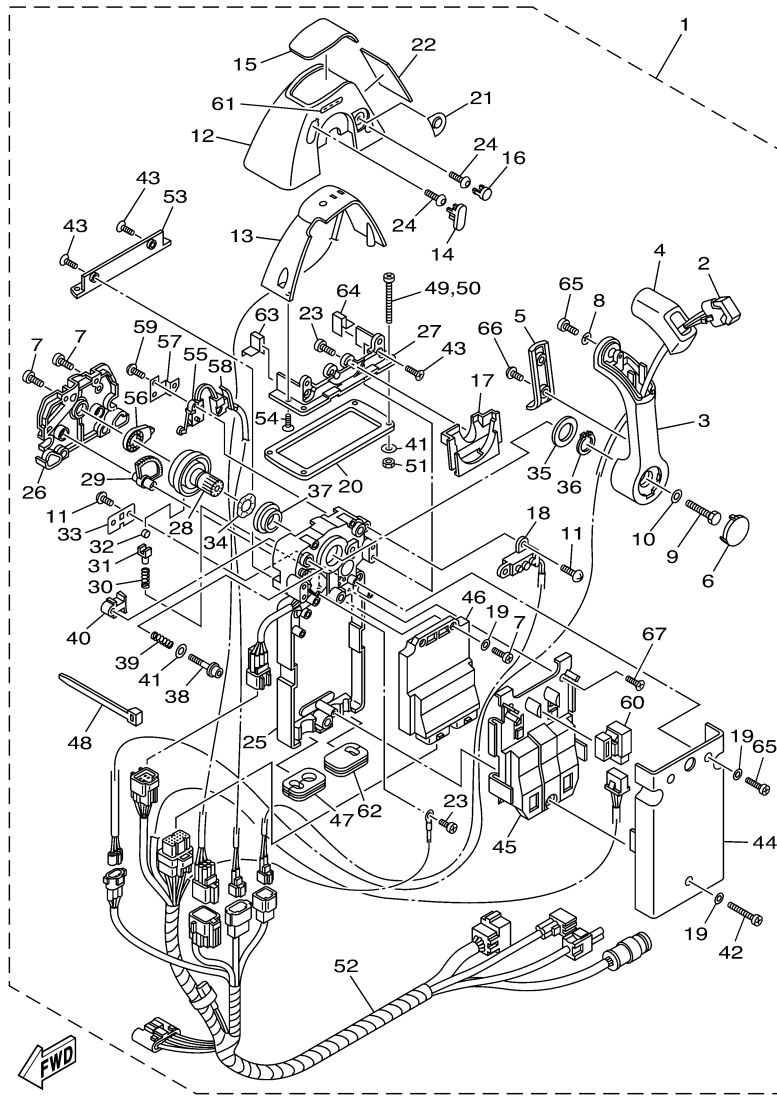


6X61100-G030

Part List

RIGGING 2007 0406 / DEC LAYOUT CHART (TRIPLE)

REF - NO	PART NUMBER	PART NAME	QUANTITY	REMARKS
1	6X6-48208-20-00	REMOTE CONTROL ASSY	1	ORDER FROM O/B SALES
1	6X6-48208-30-00	REMOTE CONTROL ASSY	1	ORDER FROM O/B SALES
2	6X5-82570-01-00	PANEL SWITCH ASSY	1	2 STATION MAIN
3	6X6-82570-20-00	PANEL SWITCH ASSY	1	2 STATION 2ND HELM
4	6X6-82570-A0-00	PANEL SWITCH ASSY	2	



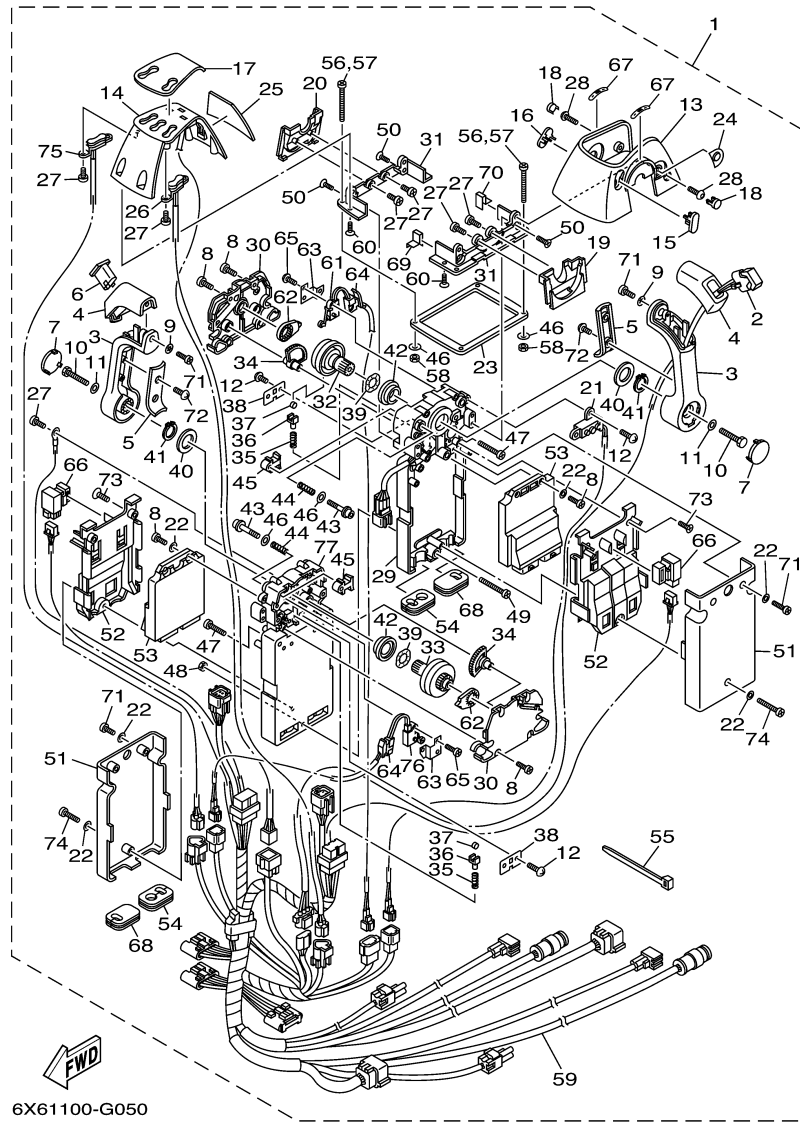
6X61100-G040

Part List

RIGGING 2007 0406 / DEC REMOTE CONTROL 1 (SINGLE)

REF - NO	PART NUMBER	PART NAME	QUANTITY	REMARKS
1	6X6-48205-00-00	REMOTE CONTROL ASSY (SINGLE)	1	ORDER FROM O/B SALES
1	6X6-48205-10-00	REMOTE CONTROL ASSY	1	ORDER FROM O/B SALES
1	6X6-48205-20-00	REMOTE CONTROL ASSY	1	ORDER FROM O/B SALES
2	6X6-82563-00-00	.TRIM & TILT SWITCH ASSY	1	
3	6X6-48221-00-00	.LEVER, CONTROL	1	
4	6X6-48222-00-00	.GRIP, CONTROL LEVER	1	
5	6X6-48224-00-00	.COVER, CONTROL LEVER	1	
6	6X6-48224-10-00	.COVER, CONTROL LEVER	1	
7	98580-05014-00	.SCREW, PAN HEAD	6	
8	92990-05300-00	.WASHER, INTERNAL TOOTH	1	
9	6X6-48171-00-00	.BOLT	1	
10	92990-08600-00	.WASHER, PLATE	1	
11	EL8-48127-00-00	.SCREW 1	4	
12	6X6-48119-00-00	.COVER	1	
13	6X6-84301-00-00	.PILOT LIGHT ASSY 1	1	
14	6X6-48167-00-00	.PLUG	1	
15	6X6-48215-00-00	.GRAPHIC	1	
16	6X6-48167-50-00	.PLUG	1	
17	6X6-48219-00-00	.COVER, LEAD	1	
18	6X6-8259E-00-00	.SWITCH ASSY	1	
19	92990-05200-00	.WASHER, PLAIN	5	
20	6X6-48176-00-00	.GROMMET	1	
21	6X6-48225-00-00	.COVER	1	
22	6X6-48216-00-00	.GRAPHIC	1	
23	98580-04010-00	.SCREW, PAN HEAD	3	
24	92D80-05016-00	.BOLT, SOCKET HEAD	2	
25	6X6-481A0-01-00	.REMO-CON CASE ASSY	1	
26	6X6-48212-00-00	.BACK PLATE 1	1	
27	6X6-48144-10-00	.PLATE, STOPPER 2	1	
28	6X6-48242-01-00	.SHAFT, DRIVE	1	
29	6X6-48233-00-00	.GEAR 2	1	
30	6X6-48238-00-00	.SPRING, DETENT	1	
31	6X6-48237-00-00	.ADAPTOR	1	
32	6X6-48236-00-00	.ROLLER, DETENT	1	
33	6X6-48189-00-00	.RETAINER	1	
34	703-48198-00-00	.WASHER, WAVE	1	
35	6X6-48193-00-00	.WASHER 3	1	
36	6X6-48118-00-00	.CLIP, SHIFT LEVER	1	
37	6X6-48234-00-00	.BUSHING 1	1	
38	6X6-48267-00-00	.BOLT SET	1	
39	6X6-48158-00-00	.SPRING 1	1	
40	6X6-48264-00-00	.FRICTION, THROTTLE	1	
41	704-48287-00-00	.WASHER	5	
42	6X6-81145-00-00	.SCREW 1	1	
43	98780-05014-00	.SCREW, FLAT HEAD	4	
44	6X6-48213-00-00	.BACK PLATE 2	1	
45	6X6-48228-00-00	.HOLDER, SWITCH	1	
46	6X6-85590-10-00	.CONTROL UNIT ASSY	1	
46	6X6-85590-00-00	.CONTROL UNIT ASSY	1	2 STATION
47	6X6-48175-00-00	.BOOT	1	
47	6X6-48175-00-00	.BOOT	2	2 STATION
48	703-82591-00-00	.BAND	3	

48	703-82591-00-00	.BAND	4	2 STATION
49	97780-50145-00	.SCREW, TAPPING	4	
50	98580-05060-00	.SCREW, PAN HEAD	4	
51	95380-05600-00	.NUT	4	
52	6X6-82590-20-00	.WIRE HARNESS ASSY	1	2 STATION MAIN HELM
52	6X6-82590-00-00	.WIRE HARNESS ASSY	1	
52	6X6-82590-50-00	.WIRE HARNESS ASSY	1	2 STATION 2ND HELM
53	6X6-48144-00-00	.PLATE, STOPPER 2	1	
54	6X6-48129-00-00	.SCREW 3	2	
55	6X6-82540-00-00	.NEUTRAL SWITCH ASSY	1	
56	6X6-48241-00-00	.ARM, DRIVE	1	
57	6X6-48245-01-00	.PLATE, LOCK	1	
58	6X6-82545-00-00	.GROMMET	1	
59	6X6-8252V-00-00	.SCREW, SPECIAL	2	
60	704-81650-10-00	.RELAY ASSY	1	
61	6X6-44191-00-00	.INDICATOR, SHIFT	1	
62	6X6-48175-10-00	.BOOT	1	
63	6X6-48176-50-00	.GROMMET	1	
64	6X6-48176-60-00	.GROMMET	1	
65	6X6-48127-00-00	.SCREW 1	3	
66	6X6-48128-00-00	.SCREW 2	2	
67	6X6-81146-00-00	.SCREW 2	2	



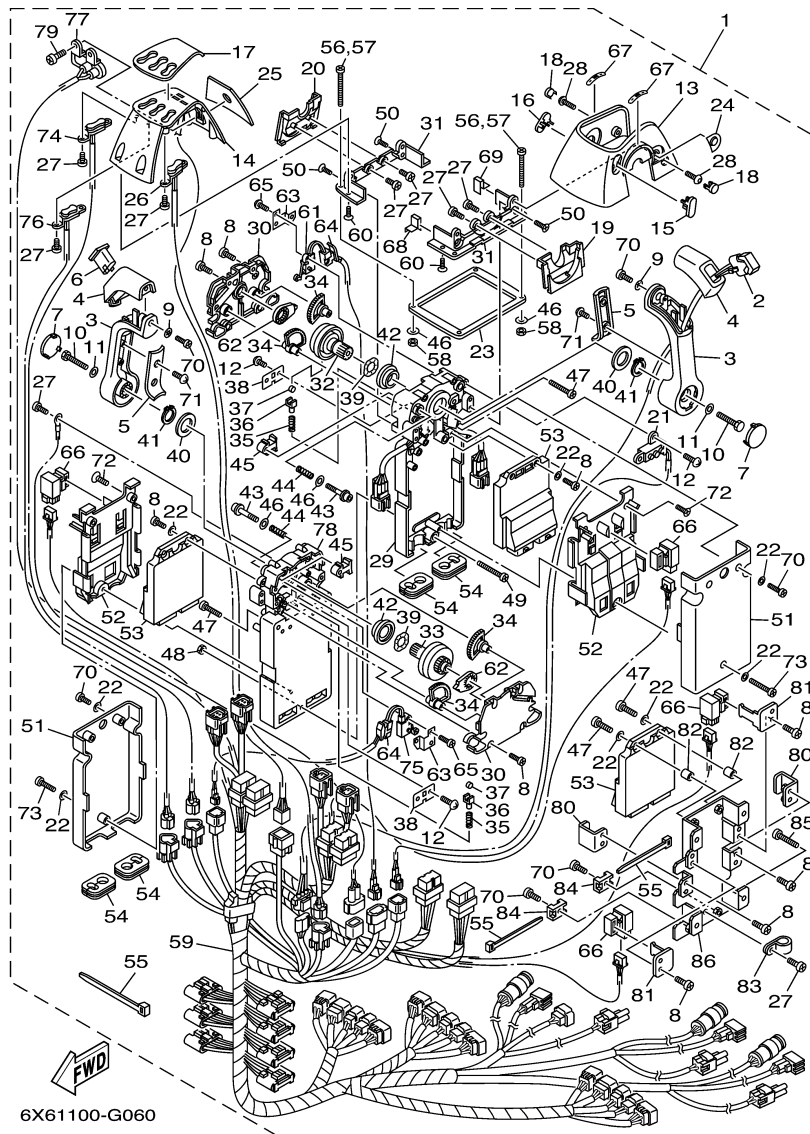
6X61100-G050

Part List

RIGGING 2007 0406 / DEC REMOTE CONTROL 2 (TWIN)

REF - NO	PART NUMBER	PART NAME	QUANTITY	REMARKS
1	6X6-48207-00-00	REMOTE CONTROL ASSY (TWIN)	1	ORDER FROM O/B SALES
1	6X6-48207-10-00	REMOTE CONTROL ASSY	1	ORDER FROM O/B SALES
1	6X6-48207-20-00	REMOTE CONTROL ASSY	1	ORDER FROM O/B SALES
2	6X6-82563-00-00	.TRIM & TILT SWITCH ASSY	1	
3	6X6-48221-00-00	.LEVER, CONTROL	2	
4	6X6-48222-00-00	.GRIP, CONTROL LEVER	2	
5	6X6-48224-00-00	.COVER, CONTROL LEVER	2	
6	6X6-48222-10-00	.GRIP, CONTROL LEVER	1	
7	6X6-48224-10-00	.COVER, CONTROL LEVER	2	
8	98580-05014-00	.SCREW, PAN HEAD	12	
9	92990-05300-00	.WASHER, INTERNAL TOOTH	2	
10	6X6-48171-00-00	.BOLT	2	
11	92990-08600-00	.WASHER, PLATE	2	
12	EL8-48127-00-00	.SCREW 1	6	
13	6X6-48119-10-00	.COVER	1	
14	6X6-84301-10-00	.PILOT LIGHT ASSY 1	1	
15	6X6-48167-10-00	.PLUG	1	
16	6X6-48167-20-00	.PLUG	1	
17	6X6-48215-10-00	.GRAPHIC	1	
18	6X6-48167-60-00	.PLUG	1	
19	6X6-48219-10-00	.COVER, LEAD	1	
20	6X6-48219-20-00	.COVER, LEAD	1	
21	6X6-8259E-00-00	.SWITCH ASSY	1	
22	92990-05200-00	.WASHER, PLAIN	10	
23	6X6-48176-10-00	.GROMMET	1	
24	6X6-48225-00-00	.COVER	1	
25	6X6-48216-10-00	.GRAPHIC	1	
26	6X6-82563-10-00	.TRIM & TILT SWITCH ASSY	1	
27	98580-04010-00	.SCREW, PAN HEAD	9	
28	92D80-05016-00	.BOLT, SOCKET HEAD	2	
29	6X6-481A0-01-00	.REMO-CON CASE ASSY	1	
30	6X6-48212-00-00	.BACK PLATE 1	2	
31	6X6-48144-10-00	.PLATE, STOPPER 2	2	
32	6X6-48242-01-00	.SHAFT, DRIVE	1	
33	6X6-48242-11-00	.SHAFT, DRIVE	1	
34	6X6-48233-00-00	.GEAR 2	2	
35	6X6-48238-00-00	.SPRING, DETENT	2	
36	6X6-48237-00-00	.ADAPTOR	2	
37	6X6-48236-00-00	.ROLLER, DETENT	2	
38	6X6-48189-00-00	.RETAINER	2	
39	703-48198-00-00	.WASHER, WAVE	2	
40	6X6-48193-00-00	.WASHER 3	2	
41	6X6-48118-00-00	.CLIP, SHIFT LEVER	2	
42	6X6-48234-00-00	.BUSHING 1	2	
43	6X6-48267-00-00	.BOLT SET	2	
44	6X6-48158-00-00	.SPRING 1	2	
45	6X6-48264-00-00	.FRICTION, THROTTLE	2	
46	704-48287-00-00	.WASHER	6	
47	98580-05025-00	.SCREW, PAN HEAD	2	
48	704-48156-00-00	.NUT 1	1	
49	704-48283-00-00	.SCREW	1	
50	98780-05014-00	.SCREW, FLAT HEAD	4	

51	6X6-48213-00-00	.BACK PLATE 2	2	
52	6X6-48228-00-00	.HOLDER, SWITCH	2	
53	6X6-85590-10-00	.CONTROL UNIT ASSY	2	
53	6X6-85590-00-00	.CONTROL UNIT ASSY	2	2 STATION
54	6X6-48175-00-00	.BOOT	2	
54	6X6-48175-00-00	.BOOT	4	2 STATION
55	703-82591-00-00	.BAND	6	
55	703-82591-00-00	.BAND	8	2 STATION
56	97780-50145-00	.SCREW, TAPPING	4	
57	98580-05060-00	.SCREW, PAN HEAD	4	
58	95380-05600-00	.NUT	4	
59	6X6-82590-10-00	.WIRE HARNESS ASSY	1	
59	6X6-82590-30-00	.WIRE HARNESS ASSY	1	2 STATION MAIN HELM
59	6X682590-60-00	.WIRE HARNESS ASSY	1	2 STATION 2ND HELM
60	6X6-48129-00-00	.SCREW 3	4	
61	6X6-82540-00-00	.NEUTRAL SWITCH ASSY	1	
62	6X6-48241-00-00	.ARM, DRIVE	2	
63	6X6-48245-01-00	.PLATE, LOCK	2	
64	6X6-82545-00-00	.GROMMET	2	
65	6X6-8252V-00-00	.SCREW, SPECIAL	4	
66	704-81950-10-00	.RELAY ASSY	2	
67	6X6-44191-00-00	.INDICATOR, SHIFT	2	
68	6X6-48175-10-00	.BOOT	2	
69	6X6-48176-50-00	.GROMMET	1	
70	6X6-48176-60-00	.GROMMET	1	
71	6X6-48127-00-00	.SCREW 1	6	
72	6X6-48128-00-00	.SCREW 2	4	
73	6X6-81146-00-00	.SCREW 2	4	
74	6X6-81145-00-00	.SCREW 1	2	
75	6X6-82563-20-00	.TRIM & TILT SWITCH ASSY	1	
76	6X6-82540-10-00	.NEUTRAL SWITCH ASSY	1	
77	6X6-481A0-21-00	.REMO-CON CASE ASSY	1	



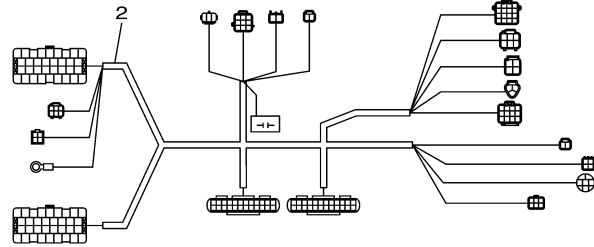
Part List

RIGGING 2007 0406 / DEC REMOTE CONTROL 3 (TRIPLE)

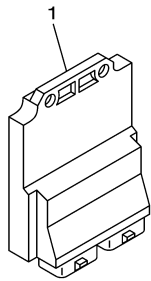
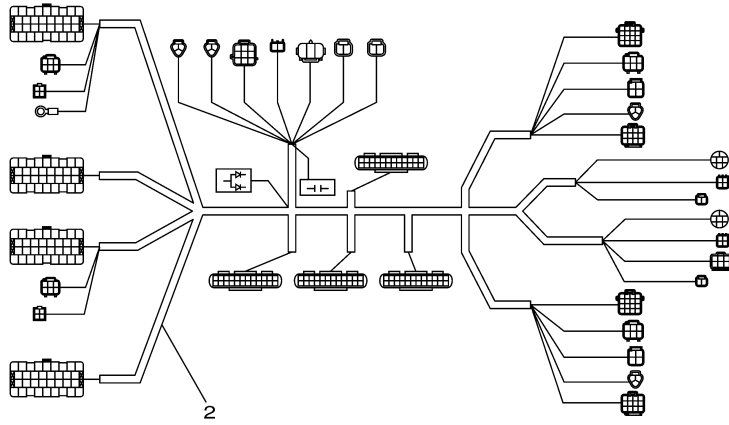
REF - NO	PART NUMBER	PART NAME	QUANTITY	REMARKS
1	6X6-48208-20-00	REMOTE CONTROL ASSY	1	ORDER FROM O/B SALES
1	6X6-48208-30-00	REMOTE CONTROL ASSY	1	ORDER FROM O/B SALES
2	6X6-82563-00-00	.TRIM & TILT SWITCH ASSY	1	
3	6X6-48221-00-00	.LEVER, CONTROL	2	
4	6X6-48222-00-00	.GRIP, CONTROL LEVER	2	
5	6X6-48224-00-00	.COVER, CONTROL LEVER	2	
6	6X6-48222-10-00	.GRIP, CONTROL LEVER	1	
7	6X6-48224-10-00	.COVER, CONTROL LEVER	2	
8	98580-05014-00	.SCREW, PAN HEAD	20	
9	92990-05300-00	.WASHER, INTERNAL TOOTH	2	
10	6X6-48171-00-00	.BOLT	2	
11	92990-08600-00	.WASHER, PLATE	2	
12	EL8-48127-00-00	.SCREW 1	6	
13	6X6-48119-10-00	.COVER	1	
14	6X6-84301-20-00	.PILOT LIGHT ASSY 1	1	
15	6X6-48167-10-00	.PLUG	1	
16	6X6-48167-20-00	.PLUG	1	
17	6X6-48215-20-00	.GRAPHIC	1	
18	6X6-48167-60-00	.PLUG	2	
19	6X6-48219-10-00	.COVER, LEAD	1	
20	6X6-48219-20-00	.COVER, LEAD	1	
21	6X6-8259E-00-00	.SWITCH ASSY	1	
22	92990-05200-00	.WASHER, PLAIN	12	
23	6X6-48176-10-00	.GROMMET	1	
24	6X6-48225-00-00	.COVER	1	
25	6X6-48216-20-00	.GRAPHIC	1	
26	6X6-82563-10-00	.TRIM & TILT SWITCH ASSY	1	
27	98580-04010-00	.SCREW, PAN HEAD	12	
28	92D80-05016-00	.BOLT, SOCKET HEAD	2	
29	6X6-481A0-11-00	.REMO-CON CASE ASSY	1	
30	6X6-48212-00-00	.BACK PLATE 1	2	
31	6X6-48144-10-00	.PLATE, STOPPER 2	2	
32	6X6-48242-01-00	.SHAFT, DRIVE	1	
33	6X6-48242-11-00	.SHAFT, DRIVE	1	
34	6X6-48233-00-00	.GEAR 2	4	
35	6X6-48238-00-00	.SPRING, DETENT	2	
36	6X6-48237-00-00	.ADAPTOR	2	
37	6X6-48236-00-00	.ROLLER, DETENT	2	
38	6X6-48189-00-00	.RETAINER	2	
39	703-48198-00-00	.WASHER, WAVE	2	
40	6X6-48193-00-00	.WASHER 3	2	
41	6X6-48118-00-00	.CLIP, SHIFT LEVER	2	
42	6X6-48234-00-00	.BUSHING 1	2	
43	6X6-48267-00-00	.BOLT SET	2	
44	6X6-48158-00-00	.SPRING 1	2	
45	6X6-48264-00-00	.FRICTION, THROTTLE	2	
46	704-48287-00-00	.WASHER	6	
47	98580-05025-00	.SCREW, PAN HEAD	4	
48	704-48156-00-00	.NUT 1	1	
49	704-48283-00-00	.SCREW	1	
50	98780-05014-00	.SCREW, FLAT HEAD	4	
51	6X6-48213-00-00	.BACK PLATE 2	2	

52	6X6-48228-00-00	.HOLDER, SWITCH	2	
53	6X6-85590-00-00	.CONTROL UNIT ASSY	3	
54	6X6-48175-00-00	.BOOT	4	
55	703-82591-00-00	.BAND	10	
56	97780-50145-00	.SCREW, TAPPING	4	
57	98580-05060-00	.SCREW, PAN HEAD	4	
58	95380-05600-00	.NUT	4	
59	6X6-82590-80-00	.WIRE HARNESS ASSY	1	2 STATION MAIN HELM
59	6X6-82590-90-00	.WIRE HARNESS ASSY	1	2 STATION 2ND HELM
60	6X6-48129-00-00	.SCREW 3	4	
61	6X6-82540-00-00	.NEUTRAL SWITCH ASSY	1	
62	6X6-48241-00-00	.ARM, DRIVE	2	
63	6X6-48245-01-00	.PLATE, LOCK	2	
64	6X6-82545-00-00	.GROMMET	2	
65	6X6-8252V-00-00	.SCREW, SPECIAL	4	
66	704-81950-10-00	.RELAY ASSY	4	
67	6X6-44191-00-00	.INDICATOR, SHIFT	2	
68	6X6-48176-50-00	.GROMMET	1	
69	6X6-48176-60-00	.GROMMET	1	
70	6X6-48127-00-00	.SCREW 1	8	
71	6X6-48128-00-00	.SCREW 2	4	
72	6X6-81146-00-00	.SCREW 2	4	
73	6X6-81145-00-00	.SCREW 1	2	
74	6X6-82563-20-00	.TRIM & TILT SWITCH ASSY	1	
75	6X6-82540-10-00	.NEUTRAL SWITCH ASSY	1	
76	6X6-82563-30-00	.TRIM & TILT SWITCH ASSY	1	
77	6X6-8259F-00-00	.SWITCH ASSY	1	
78	6X6-481A0-31-00	.REMO-CON CASE ASSY	1	
79	98780-05010-00	.SCREW, FLAT HEAD	2	
80	6X6-85557-00-00	.HOLDER	2	
81	6X6-82591-00-00	.BAND	2	
82	6X6-8252S-00-00	.SPACER, 1	2	
83	6X6-82584-00-00	.CLAMP	1	
84	6X6-82581-00-00	.STAY, CORD CLAMP	2	
85	6X0-48128-00-00	.SCREW(M6X30)	4	
86	6X6-48211-10-00	.HOUSING,1	1	

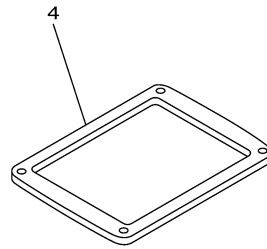
6X6-82590-20 (Single type-Dual station)



6X6-82590-30 (Twin type-Dual station)



6X61100-G070

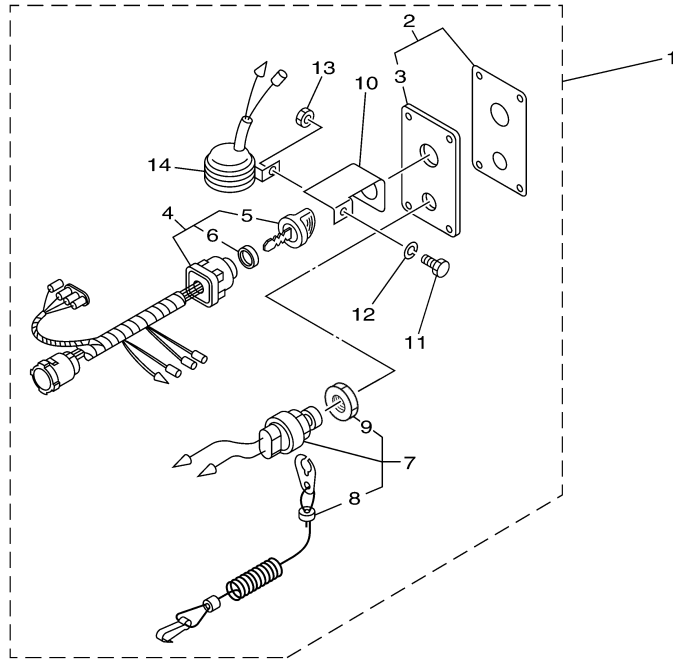


(Twin type-Dual station)

Part List

RIGGING 2007 0406 / ELECTRICAL DEC REMOTE CONTROL

REF - NO	PART NUMBER	PART NAME	QUANTITY	REMARKS
1	6X6-85590-00-00	CONTROL UNIT ASSY	1	SINGLE, 2 STATION MAIN HELM
1	6X6-85590-00-00	CONTROL UNIT ASSY	2	TWIN, 2 STATION MAIN HELM
2	6X6-82590-20-00	WIRE HARNESS ASSY	1	SINGLE, 2 STATION MAIN HELM
2	6X6-82590-30-00	WIRE HARNESS ASSY	1	TWIN, 2 STATION MAIN HELM
3	703-82591-00-00	.BAND	4	SINGLE, 2 STATION MAIN HELM
3	703-82591-00-00	.BAND	8	TWIN, 2 STATION MAIN HELM
4	6X6-48176-10-00	GROMMET	1	TWIN, 2 STATION MAIN HELM



Revised:
8-4-2010


Part List

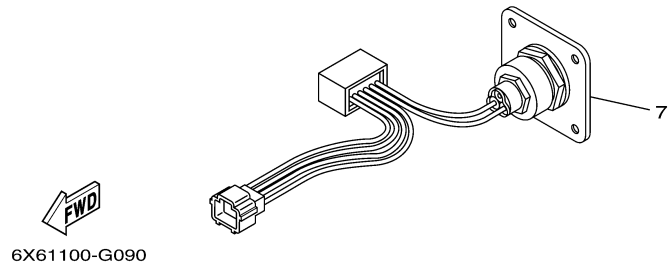
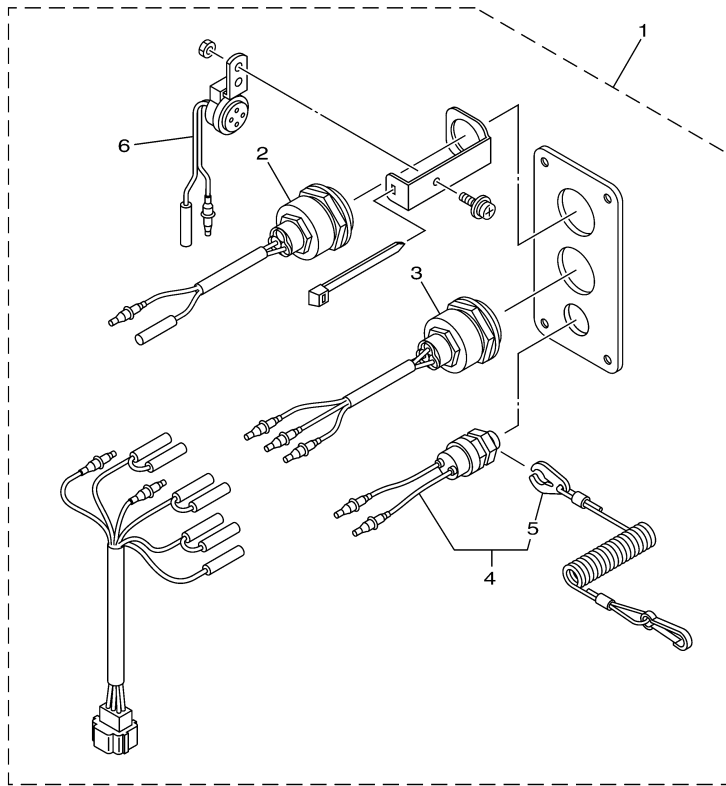
RIGGING 2007 0406 / SWITCH PANEL 1 (SINGLE)

REF - NO	PART NUMBER	PART NAME	QUANTITY	REMARKS
1	704-82570-08-00	PANEL SWITCH ASSY	1	1 OR 2 STATION MAIN HELM
2	704-82571-02-00	.PANEL, SWITCH	1	
3	6R5-82588-01-00	..PLATE	1	
4	704-82510-07-00	.MAIN SWITCH ASSY	1	
5	703-82577-00-00	..CAP, KEY	1	
6	6K1-82532-00-00	..CAP	1	
7	688-82575-01-00	..ENGINE STOP SWITCH ASSY	1	
8	682-82556-00-00	..LANYARD, STOP SWITCH	1	
9	663-82557-00-00	...NUT	1	
10	64D-82581-00-00	.STAY, CORD CLAMP	1	
11	97303-05012-00	.BOLT	1	
12	92903-05100-00	.WASHER, SPRING	1	
13	95303-05700-00	.NUT	1	
14	688-83383-11-00	.BUZZER	1	

Part Notes

RIGGING 2007 0406 / SWITCH PANEL 1 (SINGLE)

PART NUMBER	NOTE TEXT
682-82556-00-00 	OEM: This part number is among the Top 100 Most Popular Marine Maintenance Parts as of February 2013.




6X61100-G090


Part List

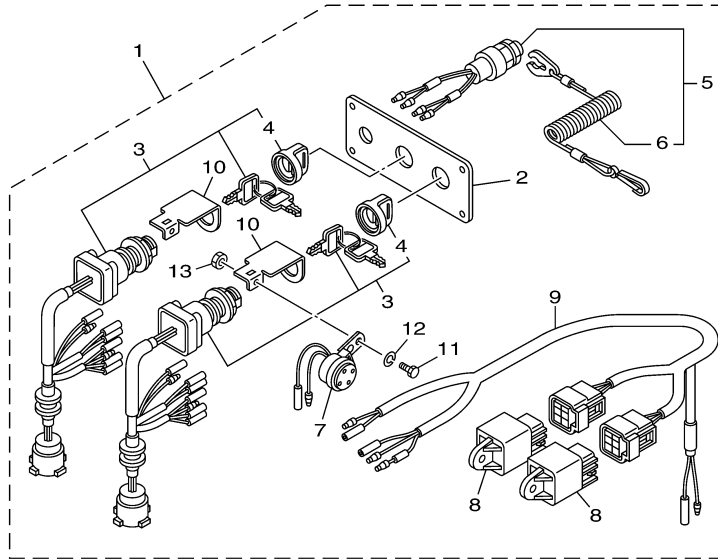
RIGGING 2007 0406 / SWITCH PANEL 2 (SINGLE) 2ND HELM

REF - NO	PART NUMBER	PART NAME	QUANTITY	REMARKS
1	6X6-82570-00-00	PANEL SWITCH ASSY (SINGLE)	1	2 STATION 2ND HELM
2	6X1-81870-00-00	.STARTING SWITCH ASSY	1	
3	6X1-82550-00-00	.ENGINE STOP SWITCH ASSY	1	
4	688-82575-01-00	.ENGINE STOP SWITCH ASSY	1	
5	682-82556-00-00	..LANYARD, STOP SWITCH	1	
6	6R5-83383-00-00	.BUZZER	1	
7	6X6-82570-A0-00	.PANEL SWITCH ASSY	2	2 STATION 2ND HELM

Part Notes

RIGGING 2007 0406 / SWITCH PANEL 2 (SINGLE) 2ND HELM

PART NUMBER		NOTE TEXT
682-82556-00-00		OEM: This part number is among the Top 100 Most Popular Marine Maintenance Parts as of February 2013.



6X61100-G100


Part List

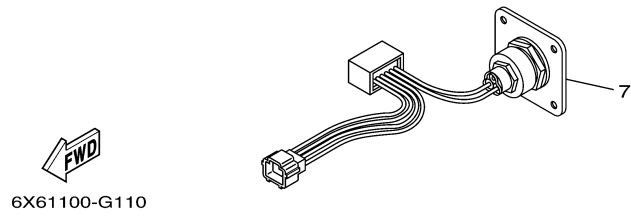
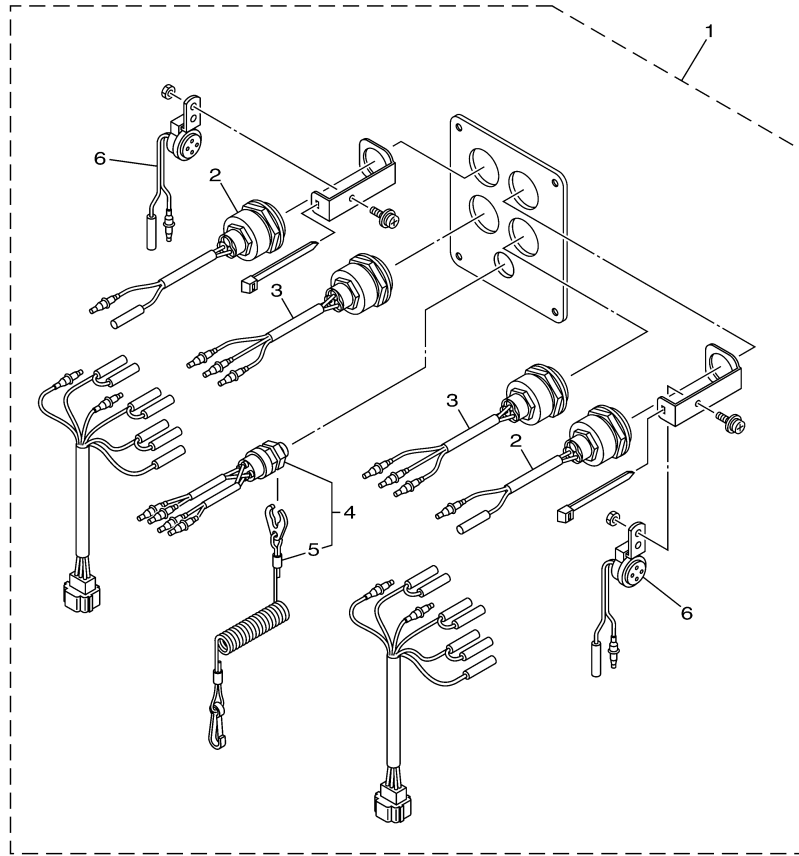
RIGGING 2007 0406 / SWITCH PANEL 3 (TWIN) MAIN HELM

REF - NO	PART NUMBER	PART NAME	QUANTITY	REMARKS
1	6Y8-82570-02-00	PANEL SW., TWIN	1	1 OR 2 STATION MAIN HELM
2	6Y8-82571-01-00	.PLATE, PANEL SWITCH	1	
3	6Y8-82510-02-00	.MAIN SWITCH ASSY	2	
4	676-82577-00-00	..CAP, KEY	1	
5	6K1-82575-00-00	.ENGINE STOP SWITCH ASSY	1	
6	682-82556-00-00	..LANYARD, STOP SWITCH	1	
7	6R5-83383-00-00	.BUZZER	2	
8	68V-81950-00-00	.RELAY ASSY	2	
9	6Y8-82507-00-00	.LEAD, IGNITION SWITCH RELAY	1	
10	64D-82581-00-00	.STAY, CORD CLAMP	2	
11	97303-05012-00	.BOLT	2	
12	92903-05100-00	.WASHER, SPRING	2	
13	95303-05700-00	.NUT	2	

Part Notes

RIGGING 2007 0406 / SWITCH PANEL 3 (TWIN) MAIN HELM

PART NUMBER	NOTE TEXT
682-82556-00-00 	OEM: This part number is among the Top 100 Most Popular Marine Maintenance Parts as of February 2013.




6X61100-G110


Part List

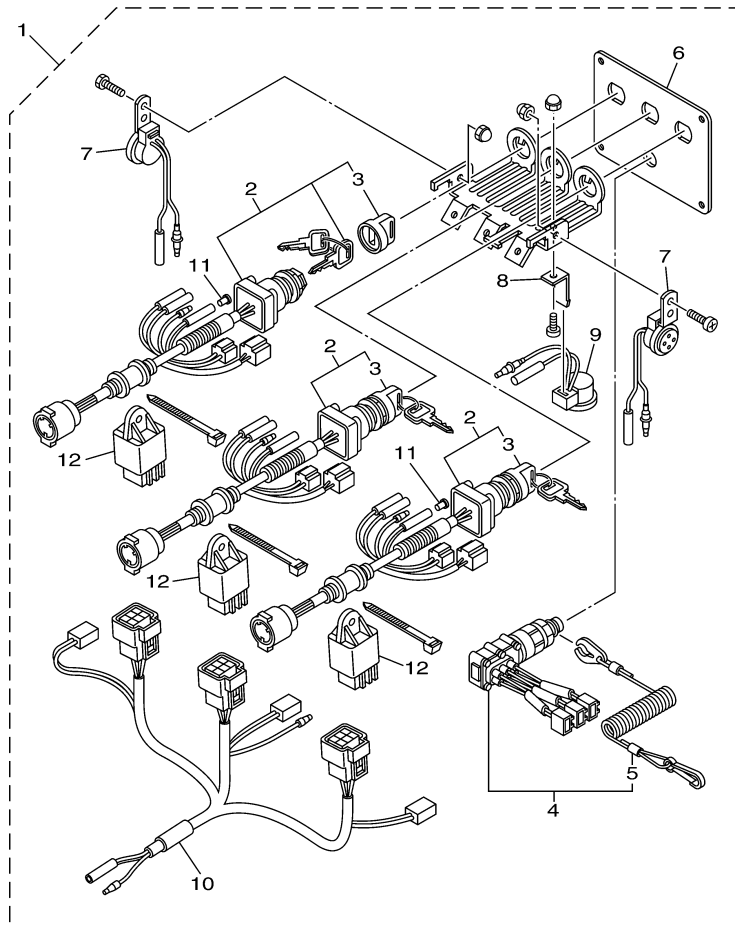
RIGGING 2007 0406 / SWITCH PANEL 4 (TWIN) 2ND HELM

REF - NO	PART NUMBER	PART NAME	QUANTITY	REMARKS
1	6X6-82570-10-00	PANEL SWITCH ASSY (TWIN)	1	2 STATION 2ND HELM
2	6X1-81870-00-00	.STARTING SWITCH ASSY	2	
3	6X1-82550-00-00	.ENGINE STOP SWITCH ASSY	2	
4	6K1-82575-00-00	.ENGINE STOP SWITCH ASSY	1	
5	682-82556-00-00	..LANYARD, STOP SWITCH	1	
6	6R5-83383-00-00	.BUZZER	2	
7	6X6-82570-A0-00	.PANEL SWITCH ASSY	2	2 STATION 2ND HELM

Part Notes

RIGGING 2007 0406 / SWITCH PANEL 4 (TWIN) 2ND HELM

PART NUMBER	NOTE TEXT
682-82556-00-00 	OEM: This part number is among the Top 100 Most Popular Marine Maintenance Parts as of February 2013.



6X61100-G120


Part List

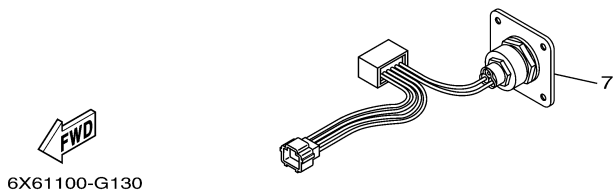
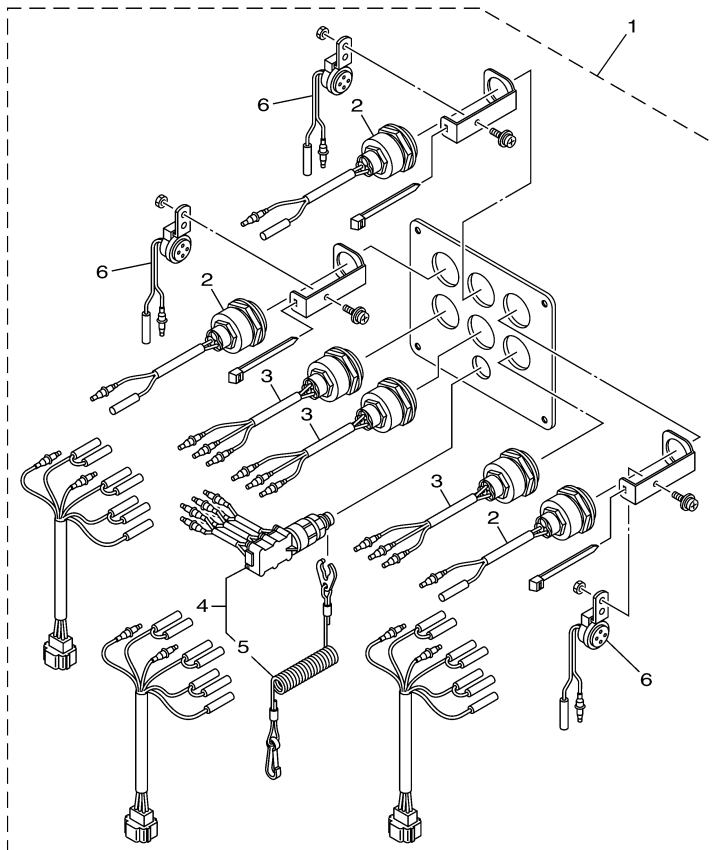
RIGGING 2007 0406 / SWITCH PANEL 5 (TRIPLE) MAIN HELM

REF - NO	PART NUMBER	PART NAME	QUANTITY	REMARKS
1	6X5-82570-01-00	PANEL SWITCH ASSY	1	1 OR 2 STATION MAIN HELM
2	6X5-82510-01-00	.MAIN SWITCH ASSY	3	
3	676-82577-00-00	..CAP, KEY	1	
4	6X5-82575-00-00	.ENGINE STOP SWITCH ASSY	1	
5	682-82556-00-00	..LANYARD, STOP SWITCH	1	
6	6X5-82571-00-00	.PANEL, SWITCH	1	
7	6X5-83383-00-00	.BUZZER	2	
8	6X5-82581-00-00	.STAY, CORD CLAMP	1	
9	6X4-83383-00-00	.BUZZER	1	
10	6X5-825-7-00-00	.WIRE, LEAD	1	
11	703-82119-00-00	.COVER, LEAD WIRE	5	
12	68V-81950-00-00	.RELAY ASSY	3	

Part Notes

RIGGING 2007 0406 / SWITCH PANEL 5 (TRIPLE) MAIN HELM

PART NUMBER	NOTE TEXT
682-82556-00-00 	OEM: This part number is among the Top 100 Most Popular Marine Maintenance Parts as of February 2013.



6X61100-G130


Part List

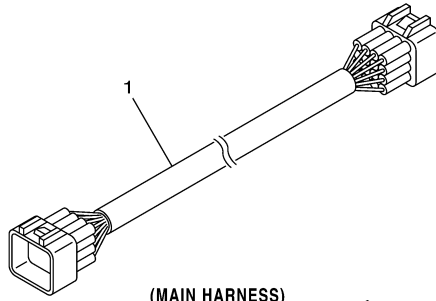
RIGGING 2007 0406 / SWITCH PANEL 6 (TRIPLE) 2ND HELM

REF - NO	PART NUMBER	PART NAME	QUANTITY	REMARKS
1	6X6-82570-20-00	PANEL SWITCH ASSY	1	2 STATION 2ND HELM
2	6X1-81870-00-00	.STARTING SWITCH ASSY	3	
3	6X1-82550-00-00	.ENGINE STOP SWITCH ASSY	3	
4	6X6-82575-00-00	.ENGINE STOP SWITCH ASSY	1	
5	682-82556-00-00	..LANYARD, STOP SWITCH	1	
6	6R5-83383-00-00	.BUZZER	3	
7	6X6-82570-A0-00	.PANEL SWITCH ASSY	2	2 STATION 2ND HELM

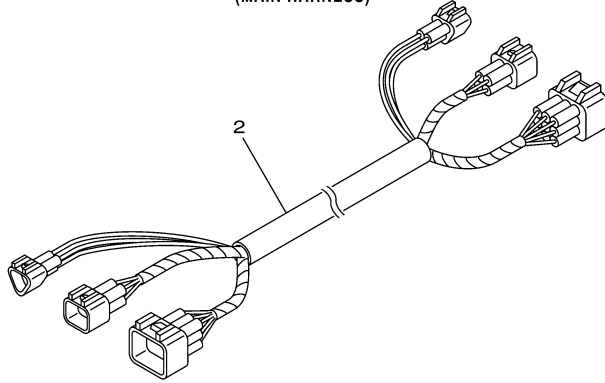
Part Notes

RIGGING 2007 0406 / SWITCH PANEL 6 (TRIPLE) 2ND HELM

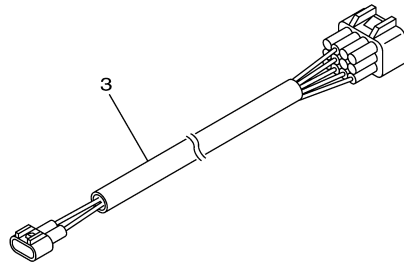
PART NUMBER	NOTE TEXT
682-82556-00-00 	OEM: This part number is among the Top 100 Most Popular Marine Maintenance Parts as of February 2013.



(MAIN HARNESS)



(Main Helm - 2nd Helm HARNESS)
PRIMARY



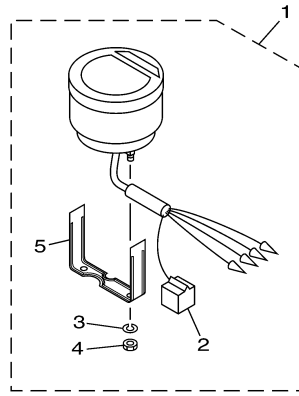
(Main Helm - 2nd Helm HARNESS)
SECONDARY

6X61100-G140

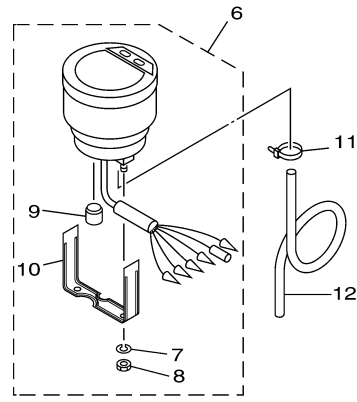
Part List

RIGGING 2007 0406 / ELECTRICAL DEC WIRE HARNESS

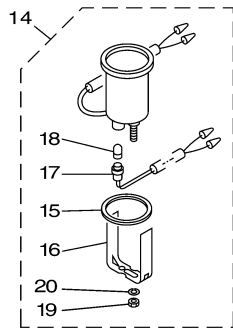
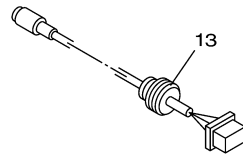
REF - NO	PART NUMBER	PART NAME	QUANTITY	REMARKS
1	6X6-8258A-10-00	EXTENSION, WIRE HARNESS (7M)	1	ENGINE TO CONTROL
1	6X6-8258A-20-00	EXTENSION, WIRE HARNESS (8M)	1	ENGINE TO CONTROL
1	6X6-8258A-30-00	EXTENSION, WIRE HARNESS (10M)	1	ENGINE TO CONTROL
1	6X6-8258A-40-00	EXTENSION, WIRE HARNESS (12M)	1	ENGINE TO CONTROL
1	6X6-8258A-00-00	EXTENSION, WIRE HARNESS (6.1M)	1	ENGINE TO CONTROL
2	6X6-8258A-A0-00	EXTENSION, WIRE HARNESS (5M)	1	MAIN TO 2ND HELM
2	6X6-8258A-E0-00	EXTENSION, WIRE HARNESS (12.2M)	1	MAIN TO 2ND HELM
2	6X6-8258A-C0-00	EXTENSION, WIRE HARNESS (8M)	1	MAIN TO 2ND HELM
3	6X6-8258A-D0-00	EXTENSION, WIRE HARNESS (8M)	1	MAIN TO 2ND HELM
3	6X6-8258A-B0-00	EXTENSION, WIRE HARNESS (5M)	1	MAIN TO 2ND HELM
3	6X6-8258A-F0-00	EXTENSION, WIRE HARNESS (12.2M)	1	MAIN TO 2ND HELM



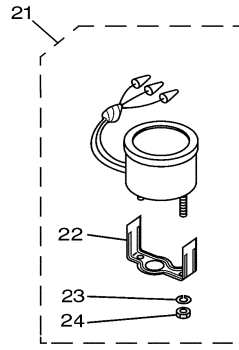
TACHOMETER



SPEEDOMETER



6Y5 HOUR METER

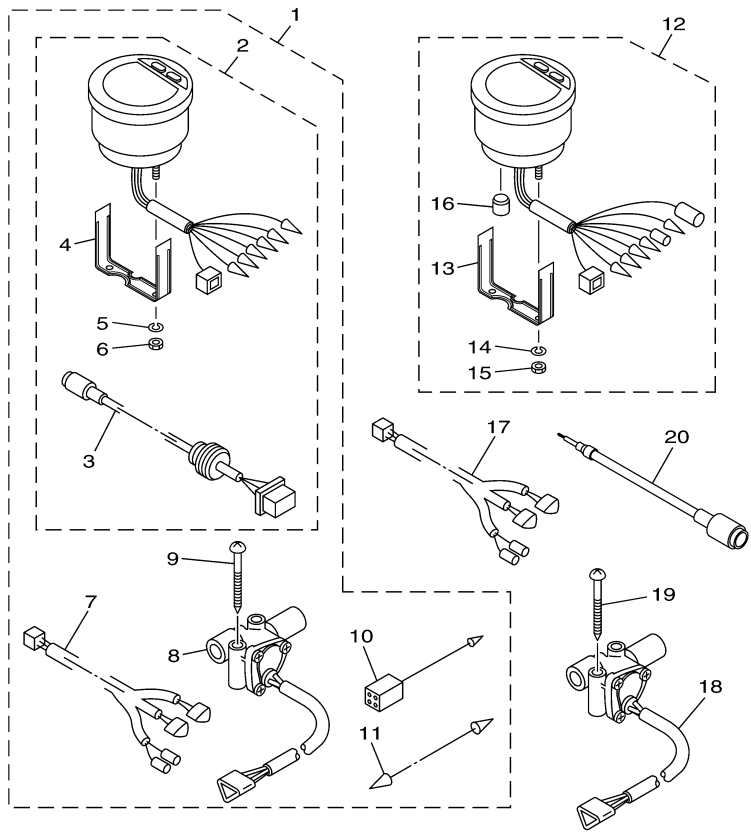


6Y7 HOUR METER

Part List

RIGGING 2007 0406 / INSTRUMENTS DIGITAL 1

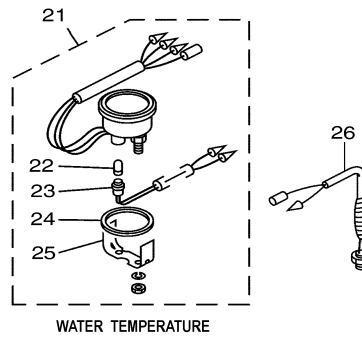
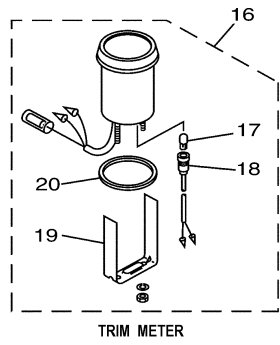
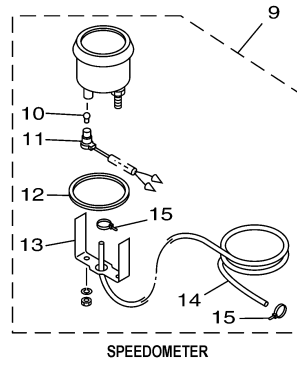
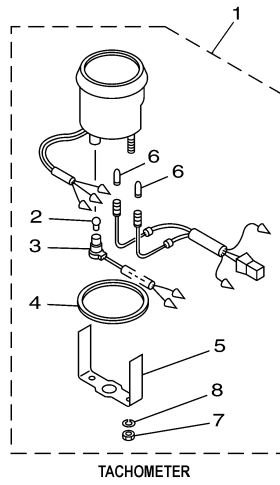
REF - NO	PART NUMBER	PART NAME	QUANTITY	REMARKS
1	6Y5-8350T-82-00	TACHOMETER ASSY	1	
2	9E450-04533-00	.CONNECTOR	1	F-4-W
3	92990-04100-00	.WASHER, SPRING	2	
4	95380-04600-00	.NUT	2	
5	6Y5-8355X-T1-00	.BRACKET, METER 1	1	
6	6Y5-83570-S5-00	SPEEDOMETER ASSY	1	
7	92990-04100-00	.WASHER, SPRING	2	
8	95380-04600-00	.NUT	2	
9	6Y5-83533-72-00	.GROMMET	1	
10	6Y5-8355X-T1-00	.BRACKET, METER 1	1	
11	90465-11M10-00	CLAMP	2	
12	6Y5-83557-10-00	TUBE (8M)	1	
13	6Y5-87122-S0-00	..CORD ASSY 1	1	UR: FOR GPS CONNECTION
14	6Y5-83504-11-00	HOUR METER	1	
15	688-83664-00-00	.DAMPER	1	
16	6Y5-83577-00-00	.PLATE, FITTING	1	
17	6Y5-83536-00-00	.SOCKET, METER	1	
18	6Y5-836518-00-00	.BULB (12V-17W T65)	1	
19	95303-04600-00	.NUT	2	
20	92990-04100-00	.WASHER, SPRING	2	
21	6Y7-83504-10-00	HOUR METER ASSY	1	UR: WHITE GAUGE
21	6Y7-83504-00-00	HOUR METER ASSY	1	UR: BLACK GAUGE
22	6Y5-8355X-H0-00	.BRACKET, METER 1	1	
23	92990-04100-00	.WASHER, SPRING	2	
24	95380-04600-00	.NUT	2	



Part List

RIGGING 2007 0406 / INSTRUMENTS DIGITAL 2

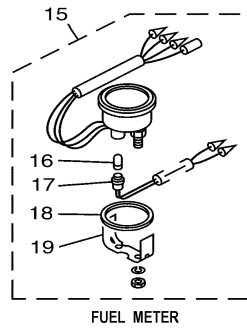
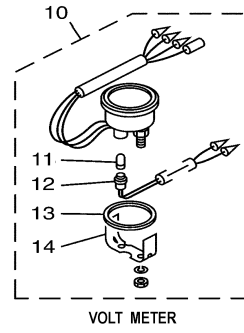
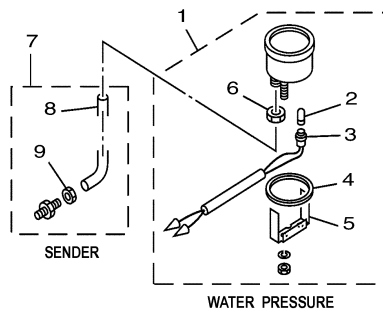
REF - NO	PART NUMBER	PART NAME	QUANTITY	REMARKS
1	6Y5-W0088-54-00	DIGITAL FUEL METER KIT (SINGLE)	1	UR
1	6Y5-W0088-66-00	FUEL METER KIT (DUAL ENG)	1	UR
2	6Y5-83500-F2-00	.FUEL MANAGEMENT METER	1	
3	6Y5-87122-S0-00	..CORD ASSY 1	1	
4	6Y5-8355X-T1-00	..BRACKET, METER 1	1	
5	92990-04100-00	..WASHER, SPRING	2	
6	95380-04600-00	..NUT	2	
7	6Y5-83553-F1-00	.WIRE, LEAD (L=80M)	1	
8	6Y5-85752-02-00	.SENDER UNIT ASSY, FUEL METER	2	UR: FOR 6Y5-W0088-65-00
8	6Y5-85752-02-00	.SENDER UNIT ASSY, FUEL METER	1	UR: FOR 6Y5-W0088-54-00
9	90158-06003-00	.SCREW, WOOD	2	UR: FOR 6Y5-W0088-54-00
9	90158-06003-00	.SCREW, WOOD	4	UR: FOR 6Y5-W0088-65-00
10	6Y5-82117-00-00	.WIRE, LEAD (BLACK) (L300)	1	
11	703-82531-00-00	.WIRE, LEAD (L70)	1	
12	6Y5-83500-40-00	METER ASSY	1	
13	6Y5-8355X-T1-00	.BRACKET, METER 1	1	
14	92990-04100-00	.WASHER, SPRING	2	
15	95380-04600-00	.NUT	2	
16	6Y5-83533-T2-00	.GROMMET	1	
17	6Y5-83553-F1-00	WIRE, LEAD (L=8.0M)	1	
18	6Y5-85752-02-00	SENDER UNIT ASSY, FUEL METER	1	
19	90158-06003-00	SCREW, WOOD	1	
20	6Y5-85721-F0-00	WIRE, LEAD	1	



Part List

RIGGING 2007 0406 / INSTRUMENTS ANALOG 1

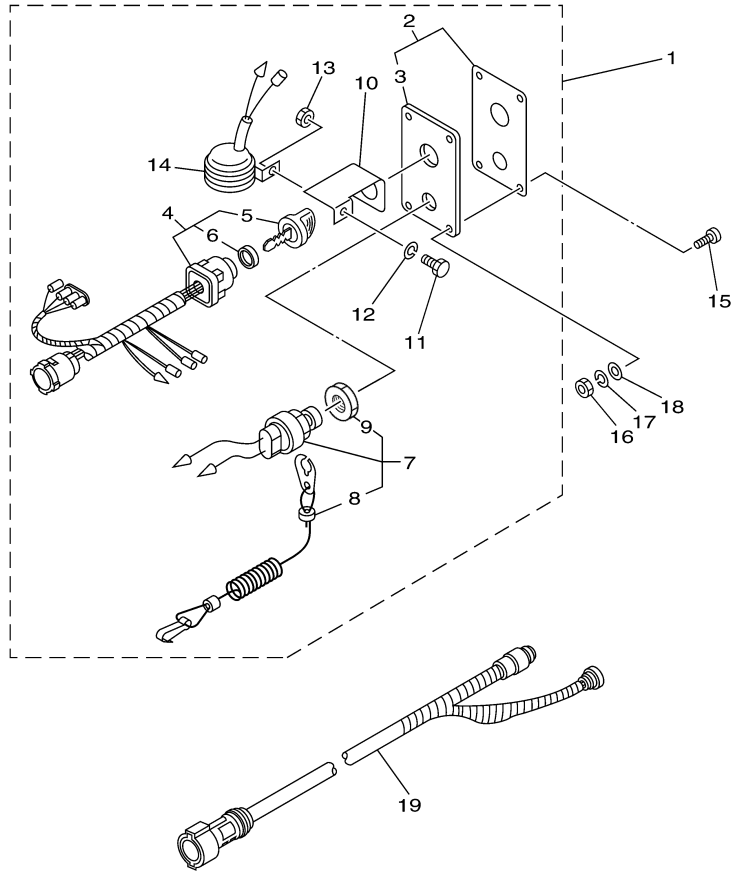
REF - NO	PART NUMBER	PART NAME	QUANTITY	REMARKS
1	6Y7-83540-80-00	TACHOMETER ASSY	1	UR: BLACK GAUGE
1	6Y7-83540-90-00	TACHOMETER ASSY	1	UR: WHITE GAUGE
2	6Y5-83517-00-00	.BULB (T10, 12V-17W)	1	
3	6Y5-83536-40-00	.SOCKET, METER	1	
4	6Y5-83523-00-00	.DAMPER	1	
5	6Y5-83514-00-00	.PLATE, FITTING	1	
6	6Y5-83518-00-00	.BULB (12V-17W T65)	2	
7	95380-05600-00	.NUT	2	
8	92990-05100-00	.WASHER, SPRING	2	
9	6Y7-83510-30-00	SPEEDOMETER ASSY (50MPH)	1	UR: WHITE GAUGE
9	6Y7-83510-20-00	SPEEDOMETER ASSY (50MPH)	1	UR: BLACK GAUGE
9	6Y7-83510-00-00	SPEEDOMETER ASSY (75MPH)	1	UR: BLACK GAUGE
9	6Y7-83510-10-00	SPEEDOMETER ASSY (75MPH)	1	UR: WHITE GAUGE
10	6Y5-83517-00-00	.BULB (T10, 12V-17W)	1	
11	6Y5-83536-40-00	.SOCKET, METER	1	
12	6Y5-83523-00-00	.DAMPER	1	
13	6Y5-83514-00-00	.PLATE, FITTING	1	
14	688-83557-00-00	.TUBE	1	
15	90465-11M10-00	.CLAMP	2	
16	6Y7-83670-40-00	TRIM METER ASSY.	1	UR: BLACK GAUGE
16	6Y7-83670-50-00	TRIM METER ASSY.	1	UR: WHITE GAUGE
17	6Y5-83518-00-00	.BULB (12V-17W T65)	1	
18	6Y5-83536-00-00	.SOCKET, METER	1	
19	6Y5-83544-00-00	.PLATE, FITTING	1	
20	688-83664-00-00	.DAMPER	1	
21	6Y7-83590-10-00	WATER TEMPERATURE ASSY	1	UR: WHITE GAUGE
21	6Y7-83590-00-00	WATER TEMPERATURE ASSY	1	UR:BLACK GAUGE
22	6Y5-83518-00-00	.BULB (12V-17W T65)	1	
23	6Y5-83536-00-00	.SOCKET, METER	1	
24	688-83664-00-00	.DAMPER	1	
25	6Y5-83544-00-00	.PLATE, FITTING	1	
26	688-83591-00-00	THERMO UNIT	1	



Part List

RIGGING 2007 0406 / INSTRUMENTS ANALOG 2

REF - NO	PART NUMBER	PART NAME	QUANTITY	REMARKS
1	6Y7-83660-10-00	WATER PRESSURE METER ASSY	1	UR: BLACK GAUGE
1	6Y7-83660-30-00	WATER PRESSURE METER ASSY	1	UR: WHITE GAUGE
2	6Y5-83518-00-00	.BULB (12V-17W T65)	1	
3	6Y5-83536-00-00	.SOCKET, METER	1	
4	688-83664-00-00	.DAMPER	1	
5	688-83665-00-00	.PLATE, FITTING	1	
6	688-83668-00-00	.NUT, NIPPLE	1	
7	6Y5-83667-00-00	SENDER, WATER PRESSURE	1	
8	688-83666-00-00	.TUBE	1	
9	688-83668-00-00	.NUT, NIPPLE	1	
10	6Y7-83503-00-00	VOLTMETER ASSY	1	UR: BLACK GAUGE
10	6Y7-83503-10-00	VOLTMETER ASSY	1	UR: WHITE GAUGE
11	6Y5-83518-00-00	.BULB (12V-17W T65)	1	
12	6Y5-83536-00-00	.SOCKET, METER	1	
13	688-83664-00-00	.DAMPER	1	
14	6Y5-83544-00-00	.PLATE, FITTING	1	
15	6Y7-85750-10-00	FUEL METER ASSY	1	UR: BLACK GAUGE
15	6Y7-85750-30-00	FUEL METER ASSY	1	UR: WHITE GAUGE
16	6Y5-83518-00-00	.BULB (12V-17W T65)	1	
17	6Y5-83536-00-00	.SOCKET, METER	1	
18	688-83664-00-00	.DAMPER	1	
19	6Y5-83544-00-00	.PLATE, FITTING	1	



6P21110-D400
8-4-2010


Part List

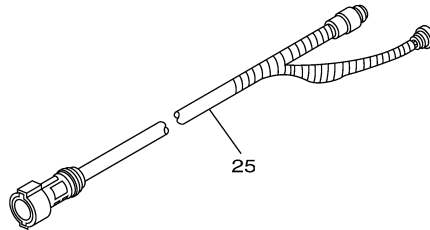
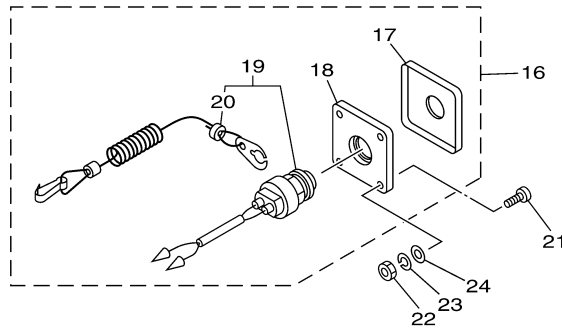
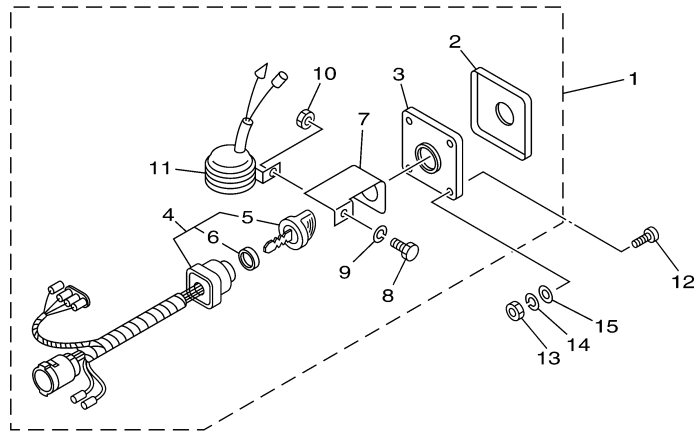
RIGGING 2007 0406 / ELECTRICAL SWITCH PANEL SINGLE

REF - NO	PART NUMBER	PART NAME	QUANTITY	REMARKS
1	704-82570-08-00	PANEL SWITCH ASSY	1	WITH CHOKE
2	704-82571-02-00	.PANEL, SWITCH	1	
3	6R5-82588-01-00	..PLATE	1	
4	704-82510-07-00	.MAIN SWITCH ASSY	1	
5	703-82577-00-00	..CAP, KEY	1	
6	6K1-82532-00-00	..CAP	1	
7	688-82575-01-00	..ENGINE STOP SWITCH ASSY	1	
8	682-82556-00-00	..LANYARD, STOP SWITCH	1	
9	663-82557-00-00	...NUT	1	
10	64D-82581-00-00	..STAY, CORD CLAMP	1	
11	97303-05012-00	..BOLT	1	
12	92903-05100-00	.WASHER, SPRING	1	
13	95303-05700-00	..NUT	1	
14	688-83383-11-00	..BUZZER	1	
15	90149-05M05-00	SCREW	4	
16	95380-05600-00	NUT	4	
17	92990-05100-00	.WASHER, SPRING	4	
18	92990-05600-00	WASHER, PLATE	4	
19	6X3-8258A-10-00	EXTENSION, WIRE HARNESS (6M)	1	UR (10P)
19	6X3-8258A-00-00	EXTENSION, WIRE HARNESS (5M)	1	UR (10P)
19	61B-8258A-01-00	EXTENSION, WIRE HARNESS (9.5M)	1	UR (10P)
19	6K1-8258A-40-00	EXTENSION, WIRE HARNESS (8M)	1	UR (10P)

Part Notes

RIGGING 2007 0406 / ELECTRICAL SWITCH PANEL SINGLE

PART NUMBER	NOTE TEXT
682-82556-00-00 	OEM: This part number is among the Top 100 Most Popular Marine Maintenance Parts as of February 2013.



6P21110-D410


Part List

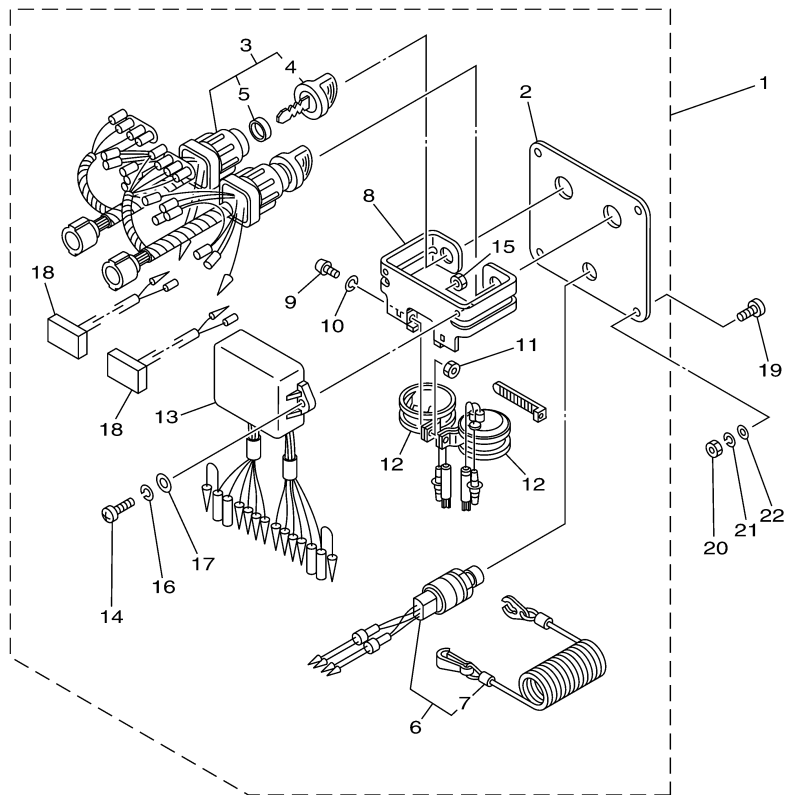
RIGGING 2007 0406 / ELECTRICAL SWITCH PANEL INDIVIDUAL

REF - NO	PART NUMBER	PART NAME	QUANTITY	REMARKS
1	64D-82570-03-00	PANEL SWITCH ASSY	1	WITH CHOKE
2	64D-82571-00-00	.PANEL, SWITCH	1	
3	64D-82588-00-00	.PLATE	1	
4	64D-82510-03-00	.MAIN SWITCH ASSY	1	
5	703-92577-00-00	..CAP, KEY	1	
6	6K1-82532-00-00	..CAP	1	
7	64D-82581-00-00	.STAY, CORD CLAMP	1	
8	97303-05012-00	.BOLT	1	
9	92903-05100-00	.WASHER, SPRING	1	
10	95303-05700-00	.NUT	1	
11	688-83383-11-00	.BUZZER	1	
12	90149-05M05-00	SCREW	4	
13	95380-05600-00	NUT	4	
14	92990-05100-00	WASHER, SPRING	4	
15	92990-05600-00	WASHER, PLATE	4	
16	64D-82570-10-00	PANEL SWITCH ASSY	1	
17	64D-82571-10-00	.PANEL, SWITCH	1	
18	64D-82588-10-00	.PLATE	1	
19	64D-82575-00-00	.ENGINE STOP SWITCH ASSY	1	
20	682-82556-00-00	..LANYARD, STOP SWITCH	1	
21	90149-05M05-00	SCREW	4	
22	95380-05600-00	NUT	4	
23	92990-05100-00	WASHER, SPRING	4	
24	92990-05600-00	WASHER, PLATE	4	
25	6X3-8258A-10-00	EXTENSION, WIRE HARNESS (6M)	1	UR (10P)
25	6X3-8258A-00-00	EXTENSION, WIRE HARNESS (5M)	1	UR (10P)
25	61B-8258A-01-00	EXTENSION, WIRE HARNESS (9.5M)	1	UR (10P)
25	6K1-8258A-40-00	EXTENSION, WIRE HARNESS (8M)	1	UR (10P)

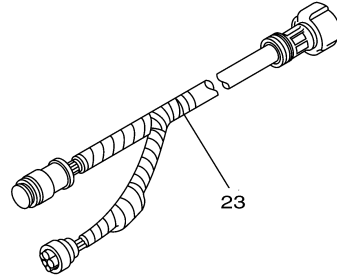
Part Notes

RIGGING 2007 0406 / ELECTRICAL SWITCH PANEL INDIVIDUAL

PART NUMBER	NOTE TEXT
682-82556-00-00 	OEM: This part number is among the Top 100 Most Popular Marine Maintenance Parts as of February 2013.




68V3300-C380





Part List

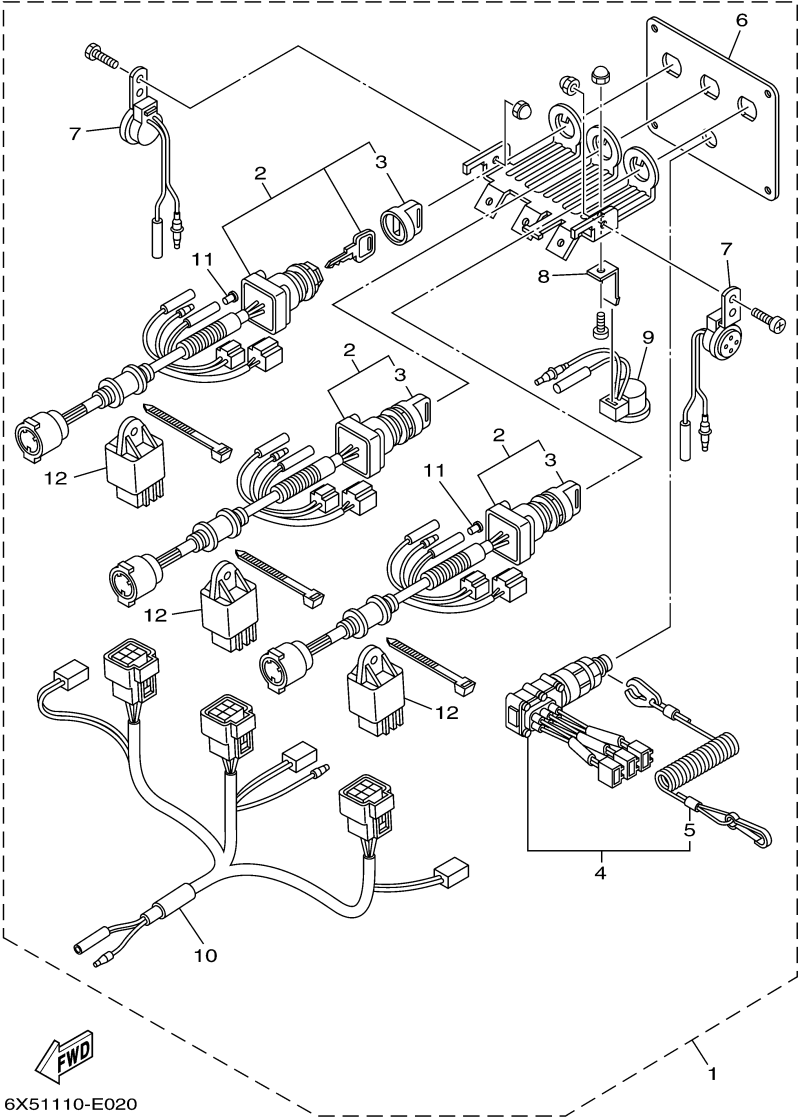
RIGGING 2007 0406 / ELECTRICAL SWITCH PANEL TWIN

REF - NO	PART NUMBER	PART NAME	QUANTITY	REMARKS
1	6K1-82570-08-00	PANEL SWITCH ASSY	1	WITH CHOKE
2	6K1-82571-02-00	.PLATE, PANEL SWITCH	1	
3	6K1-82510-06-00	.MAIN SWITCH ASSY	2	
4	703-82577-00-00	..CAP, KEY	1	
5	6K1-82532-00-00	..CAP	1	
6	6K1-82575-00-00	.ENGINE STOP SWITCH ASSY	1	
7	682-82556-00-00	..LANYARD, STOP SWITCH	1	
8	6K1-83614-10-00	.BRACKET	1	
9	98990-05010-00	.SCREW, BIND	2	
10	92990-05100-00	.WASHER, SPRING	2	
11	95380-05600-00	.NUT	2	
12	688-83383-11-00	.BUZZER	2	
13	6K1-85830-01-00	.CONTROL UNIT ASSY	1	
14	98980-06020-00	.SCREW, BIND	2	
15	95380-06600-00	.NUT, HEXAGON	2	
16	92990-06100-00	.WASHER, SPRING	2	
17	92990-06600-00	.WASHER, PLATE	2	
18	6K1-81980-00-00	.DIODE ASSY	2	
19	90149-05M05-00	SCREW	4	
20	95380-05600-00	NUT	4	
21	92990-05100-00	WASHER, SPRING	4	
22	92990-05600-00	WASHER, PLATE	4	
23	61B-8258A-01-00	EXTENSION, WIRE HARNESS (9.5M)	1	UR (10P)
23	6K1-8258A-40-00	EXTENSION, WIRE HARNESS (8M)	1	UR (10P)
23	6X3-8258A-10-00	EXTENSION, WIRE HARNESS (6M)	1	UR (10P)
23	6X3-8258A-00-00	EXTENSION, WIRE HARNESS (5M)	1	UR (10P)

Part Notes

RIGGING 2007 0406 / ELECTRICAL SWITCH PANEL TWIN

PART NUMBER	NOTE TEXT
682-82556-00-00 	OEM: This part number is among the Top 100 Most Popular Marine Maintenance Parts as of February 2013.
92990-06600-00 	OEM: This part number is among the Top 100 Most Popular Marine Maintenance Parts as of February 2013.



6X51110-E020


Part List

RIGGING 2007 0406 / ELECTRICAL SWITCH PANEL TRIPLE

REF - NO	PART NUMBER	PART NAME	QUANTITY	REMARKS
1	6X5-82570-00-00	PANEL SWITCH ASSY	1	
2	6X5-82510-00-00	.MAIN SWITCH ASSY	3	
3	676-82577-00-00	..CAP, KEY	1	
4	6X5-82575-00-00	.ENGINE STOP SWITCH ASSY	1	
5	682-82556-00-00	..LANYARD, STOP SWITCH	1	
6	6X5-82571-00-00	.PANEL, SWITCH	1	
7	6X5-83383-00-00	.BUZZER	2	
8	6X5-82581-00-00	.STAY, CORD CLAMP	1	
9	6X4-83383-00-00	.BUZZER	1	
10	6X5-82507-00-00	.WIRE, LEAD	2	
11	703-82119-00-00	.COVER, LEAD WIRE	2	
12	68V-81950-00-00	.RELAY ASSY	3	

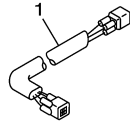
Part Notes

RIGGING 2007 0406 / ELECTRICAL SWITCH PANEL TRIPLE

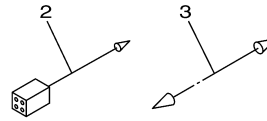
PART NUMBER	NOTE TEXT
682-82556-00-00 	OEM: This part number is among the Top 100 Most Popular Marine Maintenance Parts as of February 2013.

REMOTE-OIL TANK HARNESS

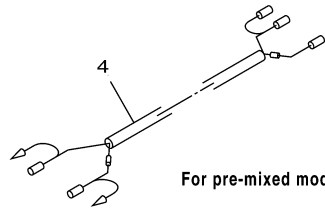
ACCESSORY LEAD



For V4, V6 oil injection model

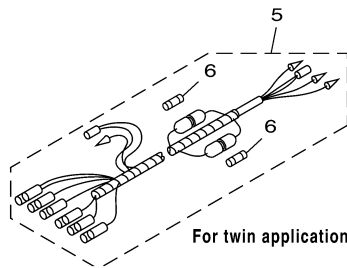


METER HARNESS (For analog meter)

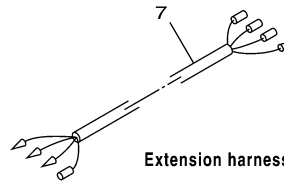


For pre-mixed model

METER HARNESS (For digital meter)



For twin application



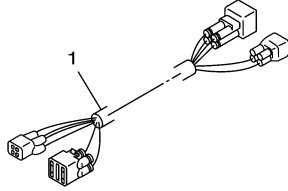
Extension harness

Part List

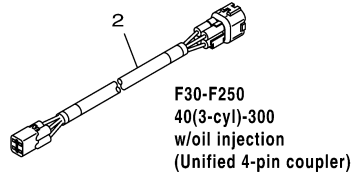
RIGGING 2007 0406 / ELECTRICAL WIRE HARNESS 1

REF - NO	PART NUMBER	PART NAME	QUANTITY	REMARKS
1	6R3-85721-30-00	WIRE, LEAD (L=3.0M)	1	UR (4P)
1	6R3-85721-50-00	WIRE, LEAD (L=5.0M)	1	UR (4P)
1	6R3-85721-80-00	WIRE, LEAD (L=8.0M)	1	UR (4P)
2	6Y5-82117-00-00	WIRE, LEAD (BLACK) (L300)	1	Y-LEAD
2	6Y5-82149-00-00	WIRE, LEAD (BLUE) (L300)	1	Y-LEAD
2	6Y5-82521-00-00	WIRE, LEAD (YELLOW)	1	Y-LEAD
3	703-82531-00-00	.WIRE, LEAD (L70)	1	AP
4	6Y5-83553-10-00	WIRE, LEAD (L=5.0M)	1	
5	6Y5-83553-N0-00	WIRE, LEAD (L=2.5M)	1	
6	1E6-82151-00-001	.FUUSE (10A)	2	
7	6Y5-8356N-00-00	WIRE, LEAD (L=1.5M)	1	

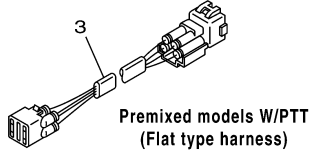
**COMBINATION
TRIM AND OIL LEAD**



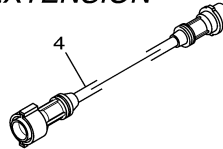
TRIM AND OIL LEAD



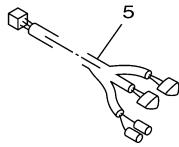
TRIM METER LEAD



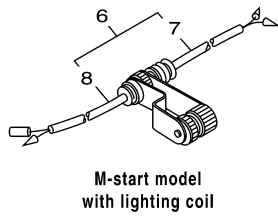
**PT/T SWITCH
LEAD EXTENSION**



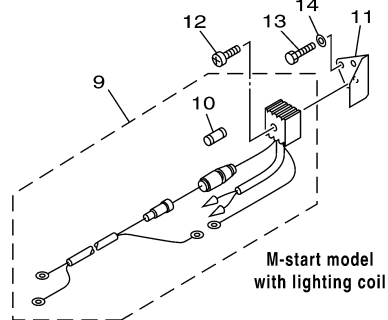
**FUEL MANAGEMENT GAUGE
HARNESS**



**LIGHTING COIL
EXTENSION HARNESS**



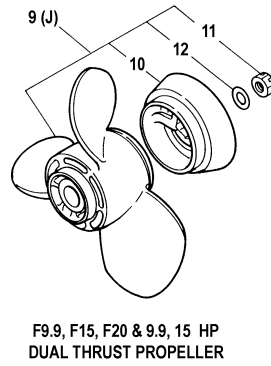
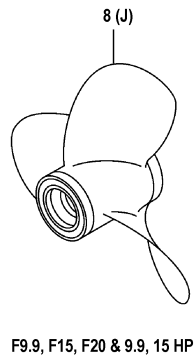
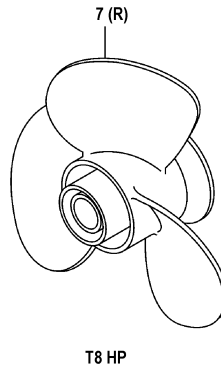
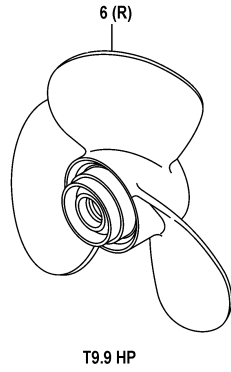
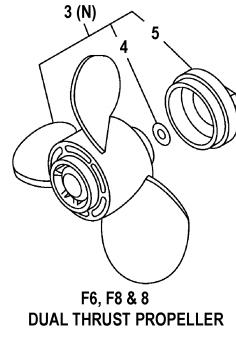
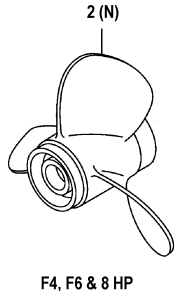
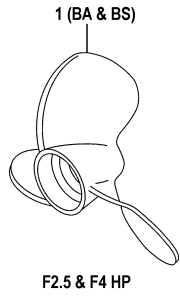
RECTIFIER KIT



Part List

RIGGING 2007 0406 / ELECTRICAL WIRE HARNESS 2

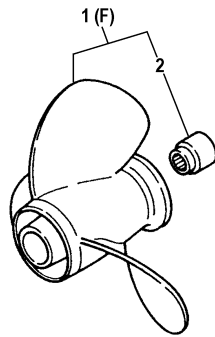
REF - NO	PART NUMBER	PART NAME	QUANTITY	REMARKS
1	68F-82553-80-00	EXTENSION, WIRE LEAD (L=8.0M)	1	
1	68F-82553-70-00	EXTENSION, WIRE LEAD (L=7.0M)	1	
1	68F-82553-90-00	EXTENSION, WIRE LEAD (L=9.5M)	1	
1	68F-82553-50-00	EXTENSION, WIRE LEAD (L=5.0M)	1	
1	68F-82553-A0-00	EXTENSION, WIRE LEAD (L=10.5M)	1	
2	6Y5-83653-40-00	WIRE, LEAD (L=9.0M)	1	UR (4P) 9M
2	6Y5-83653-20-00	WIRE, LEAD (L=7.0M)	1	UR (4P) 7M
2	6Y5-83653-50-00	WIRE, LEAD (L=10.5M)	1	UR (4P) 10.5M
2	6Y5-83653-30-00	WIRE, LEAD (L=8.0M)	1	UR (4P) 8M
2	6Y5-83653-10-00	WIRE, LEAD (L=6.0M)	1	UR (4P) 6M
2	6Y5-83653-00-00	WIRE, LEAD (L=5.0M)	1	UR (4P) 5M
3	6R3-82553-90-00	EXTENSION, WIRE LEAD (L=9.0M)	1	UR (4P)
3	6R3-82553-70-00	EXTENSION, WIRE LEAD (L=7.0M)	1	UR (4P)
3	6R3-82553-50-00	EXTENSION, WIRE LEAD (L=5.0M)	1	UR (4P)
3	6R3-82553-30-00	EXTENSION, WIRE LEAD (L=3.0M)	1	UR (4P)
3	6R3-82553-80-00	EXTENSION, WIRE LEAD (L=8.0M)	1	UR (4P)
4	688-82586-11-00	EXTENSION, WIRE HARNESS (2.0M)	1	UR (7P) 2M
5	6Y5-83553-F1-00	WIRE, LEAD (L=8.0M)	1	
6	682-84380-00-00	CONCENT 2P	1	
7	682-84381-00-00	.2P CONCENT	1	
8	682-84382-00-00	.2P CONCENT	1	
9	676-81970-00-00	RECTIFIER ASSY	1	
10	663-82151-00-00	.FUSE (12V-20A)	1	
11	677-81975-00-00	PLATE, RECTIFIER FITTING	1	
12	97880-05025-00	SCREW, PAN HEAD	1	
13	97013-06010-00	BOLT	2	
14	92903-06600-00	WASHER, PLATE	2	



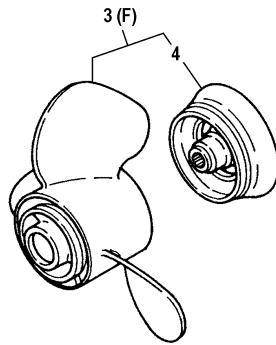
Part List

RIGGING 2007 0406 / PROPELLERS F2.5 THROUGH F20

REF - NO	PART NUMBER	PART NAME	QUANTITY	REMARKS
1	6L5-45945-00-EL	PROPELLER (3X7-1/4"X7-1/4"-BS)	1	UR F2.5
1	6L5-45947-00-EL	PROPELLER (3X7-1/4"X8-1/4"-BS)	1	UR F2.5
1	6E0-45943-01-EL	PROPELLER (3X7-1/2"X7"-BA)	1	UR F4
1	6E0-45941-01-EL	PROPELLER (3X7-1/2"X8"-BA)	1	UR F4
1	6L5-45949-00-EL	PROPELLER (3X7-1/4"X5"-BS)	1	UR F2.5
1	6L5-45952-00-EL	PROPELLER (3X7-1/4"X5-1/2"-BS)	1	UR F2.5
1	6E0-45945-01-EL	PROPELLER (3 X 7-1/4" X 7-1/2"-BA)	1	UR F4
2	6G1-45952-00-EL	PROPELLER (3X8-1/2"X8"-N)	1	UR F6, F8 & 8
2	6G1-45947-00-EL	PROPELLER (3X8-1/2"X6-1/2"-N)	1	UR F6, F8 & 8
2	6G1-45943-00-EL	PROPELLER (3X8-1/2"X7-1/2"-N)	1	UR F6, F8 & 8
2	6G1-45941-00-EL	PROPELLER (3X8-1/2"X8-1/2"-N)	1	UR F6, F8 & 8
3	6G1-W4591-01-EL	PROPELLER (3X9"X7"-N)	1	UR F6, F8 & 8 DUAL THRUST
4	90201-10M02-00	.WASHER, PLATE	1	
5	6G1-45616-01-00	.NUT, PROPELLER	1	
6	6G8-45941-00-00	PROPELLER (3X11" X 11-3/4"-R)	1	UR DUAL THRUST
7	69G-45941-00-EL	PROPELLER (3X11-3/4"X5-3/4"-R)	1	UR T8
8	63V-45947-00-EL	PROPELLER (3X9-1/4"X8"-J)	1	UR
8	683-45941-00-EL	PROPELLER (3X9-1/4"X12"-J)	1	UR
8	63V-45943-00-EL	PROPELLER (3X9-1/4"X11"-J)	1	UR
8	683-45945-00-EL	PROPELLER (3X9-1/4"X9"-J)	1	UR SEMI-WEEDLESS
8	683-45947-00-EL	PROPELLER (3X9-1/4"X8"-J)	1	UR SEMI-WEEDLESS
8	683-45952-00-EL	PROPELLER (3X9-1/4"X9-3/4"-J)	1	UR
8	63V-45945-00-EL	PROPELLER (3X9-1/4"X9"-J)	1	UR
8	683-45943-00-EL	PROPELLER (3X9-1/4"X10-1/2"-J)	1	UR
9	683-W4592-02-EL	PROPELLER (3X9-3/4"X6-1/2"-J)	1	UR DUAL THRUST
9	683-W4591-02-EL	PROPELLER (3X9-3/4"X8"-J)	1	UR DUAL THRUST
10	6E7-45986-00-00	.RING, DEFLECTOR	1	
11	90171-10M07-00	.NUT, CASTLE	1	
12	90201-10M02-00	.WASHER, PLATE	1	



25 HP

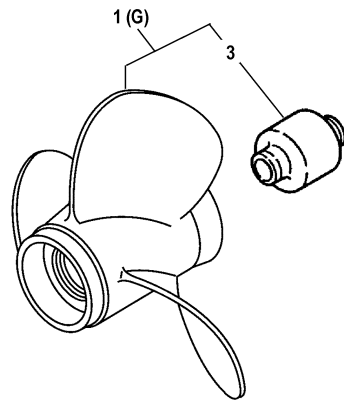


25 HP
DUAL THRUST PROPELLER

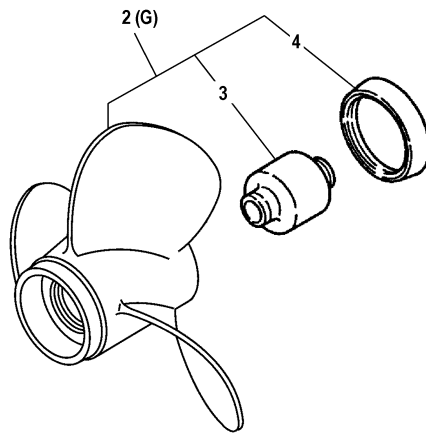
Part List

RIGGING 2007 0406 / PROPELLERS 25

REF - NO	PART NUMBER	PART NAME	QUANTITY	REMARKS
1	664-45941-01-EL	PROPELLER (3X9-7/8"X9"-F)	1	UR
1	664-45943-01-EL	PROPELLER (3X9-7/8"X8"-F)	1	UR
1	MAR-GYT3B-02-11	PROPELLER, POLISHED (11" X 10-1/8"-F)	1	UR
1	MAR-GYT3B-02-10	PROPELLER, POLISHED (10" X 10-1/8"-F)	1	UR
1	664-45945-00-EL	PROPELLER (3X9-7/8"X10- 1/2"-F)	1	UR
1	664-45947-01-EL	PROPELLER (3X9-7/8"X11- 1/4"-F)	1	UR
1	664-45949-02-EL	PROPELLER (3X9-7/8"X13"- F)	1	UR
1	664-45952-00-EL	PROPELLER (3X9-7/8"X14"- F)	1	UR
1	664-45970-00-98	PROPELLER (3X9-1/8"X13"- F)	1	UR WEEDLESS
1	664-45972-00-98	PROPELLER (3X9-1/8"X12"- F)	1	UR WEEDLESS
1	664-45954-01-EL	PROPELLER (3X9-7/8"X12"- F)	1	UR
1	MAR-GYT3B-02-12	PROPELLER, POLISHED (12" X 10-1/8"-F)	1	UR
1	MAR-GYT3B-02-13	PROPELLER, POLISHED (13" X 10-1/8"-F)	1	UR
1	MAR-GYT3B-02-14	PROPELLER, POLISHED (14" X 10-1/8"-F)	1	UR
2	6J8-W4591-00-EL	PROPELLER (3X10-5/8X8- 1/4-F)	1	UR DUAL THRUST
3	664-45981-01-00	.DAMPER, RUBBER PROP	1	UR FOR 6J8 AND 664 PROPELLER
4	6J8-45986-10-098	..RING, DEFLECTOR	1	UR FOR ALUMINUM PROPELLER ONLY



T25 ~ F60 & 50 HP

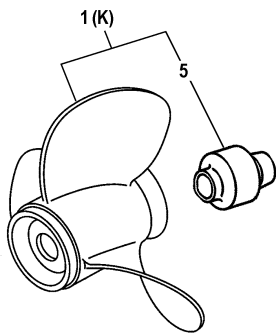


F40 ~ F60 & 50 HP

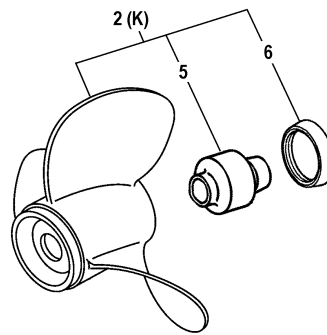
Part List

RIGGING 2007 0406 / PROPELLERS T25 THROUGH F60

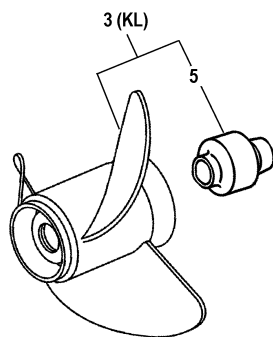
REF - NO	PART NUMBER	PART NAME	QUANTITY	REMARKS
1	663-45941-01-EL	PROPELLER (3X10-3/4"X17"-G)	1	UR ALUMINUM
1	663-45949-01-EL	PROPELLER (3X10-3/4"X16"-G)	1	UR ALUMINUM
1	MAR-GYT3B-03-14	PROPELLER, POLISHED (14" X 10"-G)	1	UR
1	MAR-GYT3B-03-12	PROPELLER, POLISHED (13" X 10"-G)	1	UR
1	663-45978-60-98	PROPELLER, BLACK SS (16" X 10-1/4"-G)	1	UR
1	663-45976-60-98	PROPELLER, BLACK SS (15" X 10-1/4"-G)	1	UR
1	663-45930-60-98	PROPELLER, BLACK SS (14" X 10-1/4"-G)	1	UR
1	MAR-GYT3B-03-15	PROPELLER, POLISHED (15" X 10"-G)	1	UR
1	MAR-GYT3B-03-13	PROPELLER, POLISHED (13" X 10"-G)	1	UR
1	68U-45941-00-EL	PROPELLER (3X12-1/4"X9"-G)	1	UR T25 DUAL THRUST ALUMINUM
1	663-45958-01-EL	PROPELLER (3X11-1/4"X14"-G)	1	UR ALUMINUM
1	663-45956-01-EL	PROPELLER (3X12-1/4"X9"-G)	1	UR ALUMINUM
1	663-45970-60-98	PROPELLER (3X11-3/4"X12"-G)	1	UR
1	663-45972-60-98	PROPELLER (3X12"X11"-G)	1	UR
1	663-45974-60-98	PROPELLER (3X11-1/2"X13"-G)	1	UR
2	69W-45943-00-EL	PROPELLER (3X11"X15"-G)	1	UR ALUMINUM
2	6H5-45958-00-EL	PROPELLER (3X10-1/4"X14"-G)	1	UR LIP CUP ALUMINUM
2	6H5-45952-00-EL	PROPELLER (3X10-5/8"X12"-G)	1	UR LIP CUP ALUMINUM
2	6H5-45945-00-EL	PROPELLER (3X10-3/8"X13"-G)	1	UR LIP CUP ALUMINUM
2	6H5-45943-00-EL	PROPELLER (3X10"X15"-G)	1	UR LIP CUP ALUMINUM
2	69W-45945-00-EL	PROPELLER (3X11-1/8"X13"-G)	1	UR ALUMINUM
2	69W-45952-00-EL	PROPELLER (3X11-3/8"X12"-G)	1	UR ALUMINUM
2	69W-45947-00-EL	PROPELLER (3X11-5/8"X11"-G)	1	UR ALUMINUM
3	663-45981-10-00	.DAMPER, PROPELLER	1	
4	663-45986-00-94	.RING, DEFLECTOR	1	UR FOR 69W & 6H5 PROPELLER



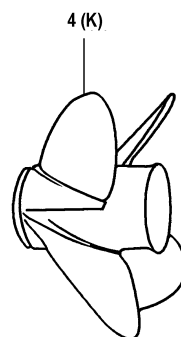
T50 ~ F115 & 70 ~ 115 HP



T50 ~ F115 & 70 ~ 115 HP



LF115



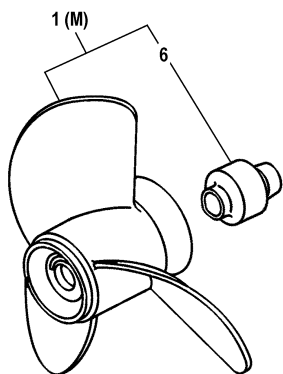
F115 & 115

Part List

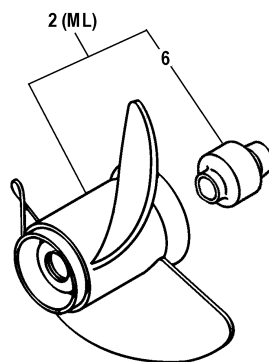
RIGGING 2007 0406 / PROPELLERS T50 THROUGH F L115

REF - NO	PART NUMBER	PART NAME	QUANTITY	REMARKS
1	688-45972-02-98	PROPELLER (3X13"X21"-K)	1	UR
1	MAR-GYT3B-V4-16	PROPELLER, 3 BLADE (13-1/4" X 16"-M)	1	UR
1	688-45974-02-98	PROPELLER (3X13"X23"-K)	1	UR
1	688-45978-60-98	PROPELLER (3X13-1/2"X16"-K)	1	UR
1	688-45932-60-98	PROPELLER (3X13-1/2"X14"-K)	1	UR
1	688-45976-01-98	PROPELLER (3X13"X25"-K)	1	UR
1	688-45930-02-98	PROPELLER (3X13"X17"-K)	1	UR
1	62A-45970-10-00	PROPELLER (3X13-1/2"X21"-K)	1	UR HIGH PERFORMANCE
1	62A-45972-10-00	PROPELLER (3X13-1/2"X23"-K)	1	UR HIGH PERFORMANCE
1	62A-45974-10-00	PROPELLER (3X13-1/2"X19"-K)	1	UR HIGH PERFORMANCE
1	68S-45941-00-EL	PROPELLER (3X14"X11"-K)	1	UR DUAL THRUST
1	MAR-GYT3B-V4-18	PROPELLER, 3 BLADE (13-1/4" X 18"-M)	1	UR
1	MAR-GYT3B-V4-20	PROPELLER, 3 BLADE (13-1/4" X 20"-M)	1	UR
1	MAR-GYT3B-V4-22	PROPELLER, 3 BLADE (13-1/4" X 22"-M)	1	UR
1	MAR-GYT3B-V4-24	PROPELLER, 3 BLADE (13-1/3" X 24"-M)	1	UR
1	MAR-GYT3B-V4-14	PROPELLER, 3 BLADE (13-1/4" X 14"-M)	1	UR
1	688-45970-03-98	PROPELLER (3X13"X19"-K)	1	UR
2	6E5-45943-00-EL	PROPELLER (3X12-5/8"X21"-K)	1	UR
2	6E5-45941-00-EL	PROPELLER (3X13"X19"-K)	1	UR
2	6E5-45945-01-EL	PROPELLER (3X13-1/4"X17"-K)	1	UR
2	6E5-45956-00-EL	PROPELLER (3X13"X25"-K)	1	UR
2	6E5-45954-00-EL	PROPELLER (3X14"X11"-K)	1	UR
2	6E5-45952-00-EL	PROPELLER (3X13"X23"-K)	1	UR
2	6E5-45949-00-EL	PROPELLER (3X13-5/8"X13"-K)	1	UR
2	6E5-45947-00-EL	PROPELLER (3X13-1/2"X15"-K)	1	UR
3	6L6-45930-00-98	PROPELLER, BLACK SS (17 X 13"-KL)	1	UR
3	6L6-45970-00-98	PROPELLER (3X13"X19"-KL)	1	UR
3	6L6-45972-00-98	PROPELLER (3X13"X21"-KL)	1	UR
3	MAR-GYT3B-L4-14	PROPELLER, PERFORMANCE 4 BLADE (13 X 14"-KL)	1	UR ALUMINUM
3	MAR-GYT3B-L4-16	PROPELLER, PERFORMANCE 4 BLADE (13 X 16"-KL)	1	UR ALUMINUM
3	MAR-GYT3B-L4-18	PROPELLER, PERFORMANCE 4 BLADE (13 X 18"-KL)	1	UR ALUMINUM
3	MAR-GYT3B-L4-20	PROPELLER, PERFORMANCE 4 BLADE (13 X 20"-KL)	1	UR ALUMINUM
3	MAR-GYT3B-L4-22	PROPELLER, PERFORMANCE 4 BLADE (13 X 22"-KL)	1	UR ALUMINUM
4	MAR-GYT4B-V4-23	PROPELLER, PERFORMANCE 4 BLADE (23 X 13-1/4"-K)	1	UR TRIM TAB 6E5-45371-10-00
4	MAR-GYT4B-V4-22	PROPELLER, PERFORMANCE 4 BLADE (22 X 13-1/4"-K)	1	UR TRIM TAB 6E5-45371-10-00
4	MAR-GYT4B-V4-20	PROPELLER, PERFORMANCE 4 BLADE (20 X 13-1/4"-K)	1	UR TRIM TAB 6E5-45371-10-00

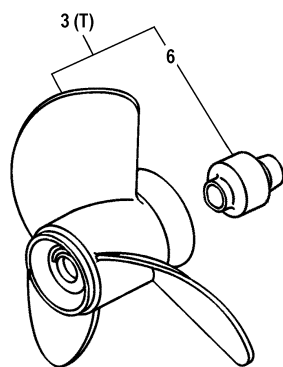
4	MAR-GYT4B-V4-18	PROPELLER, PERFORMANCE 4 BLADE (18 X 13-1/4"-K)	1	UR TRIM TAB 6E5-45371-10-00
5	688-45981-00-00	.DAMPER, PROPELLER	1	
6	688-45986-00-94	.RING, DEFLECTOR	1	UR FOR 6E5 PROPELLER



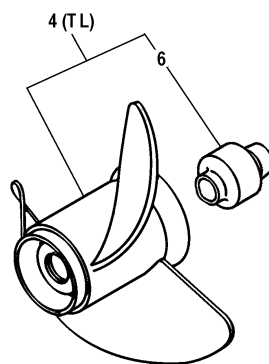
F150 ~ F250 & (V)150 ~ Z300 HP



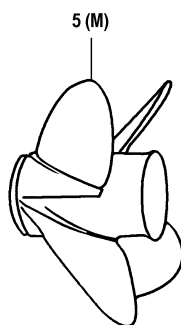
LF150 ~ LF250 & LZ200, LZ300 HP



F200 ~ F250 & VZ200 ~ (V) Z300 HP



LF200 ~ LF250 & LZ300 HP



F150 ~ F250 & (V)150 ~ Z300 HP

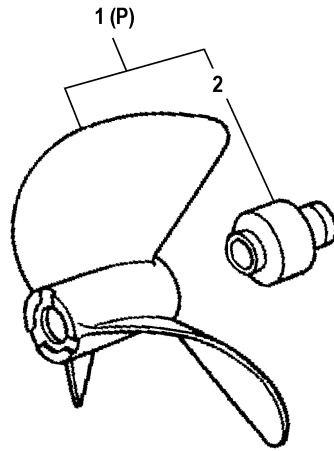
Part List

RIGGING 2007 0406 / PROPELLERS 150 THROUGH 300

REF - NO	PART NUMBER	PART NAME	QUANTITY	REMARKS
1	6G5-45941-00-98	PROPELLER (3X15-1/4"X15"-M)	1	UR ALUMINUM
1	68F-45976-00-00	PROPELLER (3X13-3/4"X21"-M)	1	UR
1	6G5-45949-00-98	PROPELLER (3X13-1/2"X23"-M)	1	UR ALUMINUM
1	6G5-45972-02-98	PROPELLER (3X13-3/4"X21"-M)	1	UR
1	6G5-45976-01-98	PROPELLER (3X13-3/8"X23"-M)	1	UR
1	6G5-45952-00-98	PROPELLER (3X14-5/8"X16"-M)	1	UR ALUMINUM
1	6G5-45947-01-98	PROPELLER (3X14-1/2"X17"-M)	1	UR ALUMINUM
1	6G5-45970-02-98	PROPELLER (3X15-1/4"X15"-M)	1	UR
1	6G5-45932-00-98	PROPELLER (3X15-3/4"X13"-M)	1	UR
1	6G5-45974-03-98	PROPELLER (3X13-3/4"X19"-M2)	1	UR
1	6G5-45978-03-98	PROPELLER (3X13-3/4"X17"-M2)	1	UR
1	6G5-45943-01-98	PROPELLER (3X13-3/4"X21"-M)	1	UR ALUMINUM
1	6R4-45976-A0-00	PROPELLER (3X14-1/2"X15"-M)	1	UR
1	6R4-45978-A0-00	PROPELLER (3X15-1/4"X17"-M)	1	UR
1	6R4-45970-A0-00	PROPELLER (3 X15-1/4" X19"R-M)	1	UR
1	6R4-45972-A0-00	PROPELLER (3X14-7/8"X21"-M)	1	UR
1	6R4-45974-A0-00	PROPELLER (3X14-1/2"X23"-M)	1	UR
1	66K-45972-B0-00	PROPELLER (3X14-1/2"X25"-M2)	1	UR
1	66K-45970-B0-00	PROPELLER (3X14-1/2"X27"-M1)	1	UR
1	6J9-45976-10-00	PROPELLER (3X14-1/2"X21"-M1)	1	UR
1	66K-45974-B0-00	PROPELLER (3X14-1/2"X23"-M2)	1	UR
1	MAR-GYT3B-V6-16	PROPELLER, 3 BLADE (13-1/4" X 16"-M)	1	NOT RECOMMENDED FOR OVER 200 HP
1	MAR-GYT3B-V6-18	PROPELLER, 3 BLADE (13-1/4" X 18"-M)	1	NOT RECOMMENDED FOR OVER 200 HP
1	MAR-GYT3B-V6-20	PROPELLER, 3 BLADE (13-1/4" X 20"-M)	1	NOT RECOMMENDED FOR OVER 200 HP
1	MAR-GYT3B-V6-22	PROPELLER, 3 BLADE (13-1/4" X 22"-M)	1	NOT RECOMMENDED FOR OVER 200 HP
1	MAR-GYT3B-V6-24	PROPELLER, 3 BLADE (13-1/3" X 24"-M)	1	NOT RECOMMENDED FOR OVER 200 HP
1	MAR-GYT3B-V6-26	PROPELLER, 3 BLADE (13-1/4" X 26"-M)	1	NOT RECOMMENDED FOR OVER 200 HP
1	MAR-GYT3B-V6-14	PROPELLER, 3 BLADE (13-1/4" X 14"-M)	1	NOT RECOMMENDED FOR OVER 200 HP
1	68F-45970-00-00	PROPELLER (3X14-1/2"X15"-M)	1	UR
1	68F-45972-00-00	PROPELLER (3X14-1/4"X17"-M)	1	UR
1	68F-45974-00-00	PROPELLER (3X13-3/4"X19"-M)	1	UR
1	6G5-45945-01-98	PROPELLER (3X14"X19"-M)	1	UR ALUMINUM

2	6K1-45972-01-98	PROPELLER (3X13-3/4"X21"-ML)	1	UR
2	6K1-45970-01-98	PROPELLER (3X15-1/4"X15"-ML)	1	UR
2	6K1-45974-02-98	PROPELLER (3X13-3/4"X19"-ML1)	1	UR
2	6K1-45978-02-98	PROPELLER (3X13-3/4"X17"-ML1)	1	UR
2	6K1-45947-00-98	PROPELLER (3X14-1/2"X17"-ML)	1	UR ALUMINUM
2	6K1-45945-00-98	PROPELLER (3X14"X19"-ML)	1	UR ALUMINUM
2	6R1-45976-A0-00	PROPELLER (3X15-1/4"X15"-ML)	1	UR
2	6R1-45978-A0-00	PROPELLER (3X15-1/4"X17"-ML)	1	UR
2	6R1-45970-A0-00	PROPELLER, SS (3 X 15-1/4" X 19"-ML)	1	UR
2	6R1-45972-A0-00	PROPELLER (3X14-7/8"X21"-ML)	1	UR
2	6R1-45974-A0-00	PROPELLER (3X14-1/2"X23"-ML)	1	UR
2	6K1-45976-00-98	PROPELLER (3X13-3/8"X23"-ML)	1	UR
2	MAR-GYT3B-L6-18	PROPELLER, 3 BLADE L (14-1/4" X 18" V6-ML)	1	NOT RECOMMENDED FOR OVER 200 HP
2	MAR-GYT3B-L6-20	PROPELLER, 3 BLADE L (14-1/4" X 20" V6-ML)	1	NOT RECOMMENDED FOR OVER 200 HP
2	MAR-GYT3B-L6-22	PROPELLER, 3 BLADE L (14-1/4" X 22" V6-ML)	1	NOT RECOMMENDED FOR OVER 200 HP
2	MAR-GYT3B-L6-14	PROPELLER, 3 BLADE L (14-1/4" X 14" V6-ML)	1	NOT RECOMMENDED FOR OVER 200 HP
2	MAR-GYT3B-L6-16	PROPELLER, 3 BLADE L (14-1/4" X 16" V6-ML)	1	NOT RECOMMENDED FOR OVER 200 HP
2	68G-45972-00-00	PROPELLER (3X14-1/4"X17"-ML)	1	UR
2	68G-45974-00-00	PROPELLER (3X13-3/4"X19"-ML)	1	UR
2	68G-45976-00-00	PROPELLER (3X13-3/4"X21"-ML)	1	UR
3	61A-45974-00-98	PROPELLER (3X14-1/2"X19"-T)	1	UR
3	61A-45978-00-98	PROPELLER (3X15"X17"-T)	1	UR
3	61A-45972-00-98	PROPELLER (3X14-1/2"X21"-T)	1	UR
3	69L-45974-10-00	PROPELLER, VX MAX (14-1/2" X 23"-T)	1	UR
3	69L-45976-10-00	PROPELLER, VX MAX (14-3/4" X 29"-T)	1	UR
3	69L-45970-20-00	PROPELLER (3X15-1/8"X27"-T1)	1	UR
3	MAR-GYT3B-XL-23	PROPELLER (14-5/8" X 23-T)	1	UR VX/VZ200~VZ300
3	6D0-45970-00-00	PROPELLER (3X15-1/4"X19"-T)	1	UR
3	6D0-45972-00-00	PROPELLER (3X15"X21"-T)	1	UR
3	6D0-45978-00-00	PROPELLER (3X15-1/2"X17"-T)	1	UR
3	MAR-GYT3B-XL-25	PROPELLER (14-5/8" X 25-T)	1	UR VX/VZ200~VZ300
3	MAR-GYT3B-XL-27	PROPELLER (14-5/8" X 27-T)	1	UR VX/VZ200~VZ300
3	6D0-45976-00-00	PROPELLER (3 X 15-34" X 15-T)	1	UR
3	69L-45972-20-00	PROPELLER (3X15-1/8"X25"-T1)	1	UR
4	61B-45974-00-98	PROPELLER (3X14-1/2"X19"-TL)	1	UR
4	61B-45978-00-98	PROPELLER (3X15"X17"-TL)	1	UR
4	6D1-45976-00-00	PROPELLER (3 X 15-34" X 15"-TL)	1	UR
4	6D1-45978-00-00	PROPELLER (3X15-1/2"X17"-	1	UR

		TL)		
4	6D1-45972-00-00	PROPELLER (3X15"X21"-TL)	1	UR
4	6D1-45970-00-00	PROPELLER (3X15-1/4"X19"-TL)	1	UR
4	61B-45972-00-98	PROPELLER (3X14-1/2"X21"-TL)	1	UR
5	MAR-GYT4B-V6-24	PROPELLER, 4 BLADE (13-3/4" X 24 V6-M)	1	UR
5	MAR-GYT4B-V6-25	PROPELLER, 4 BLADE (13-3/4" X 25 V6-M)	1	UR
5	MAR-GYT4B-V6-22	PROPELLER, 4 BLADE (13-3/4" X 22 V6-M)	1	UR
5	MAR-GYT4B-V6-23	PROPELLER, 4 BLADE (13-3/4" X 23 V6-M)	1	UR
5	MAR-GYT4B-V6-18	PROPELLER, 4 BLADE (13-3/4" X 18 V6-M)	1	UR
5	MAR-GYT4B-V6-20	PROPELLER, 4 BLADE (13-3/4" X 20 V6-M)	1	UR
5	MAR-GYT4B-V6-26	PROPELLER, 4 BLADE (13-3/4" X 26 V6-M)	1	UR
6	6G5-45981-00-00	.DAMPER RUBBER, PROPELLER	1	UR FOR ALUMINUM 6E5, 688, 6L6, 6G5 & 6K1 PROPS
6	61A-45981-00-00	.DAMPER RUBBER, PROPELLER	1	UR FOR 6D0, 6D1, 68F & 68G
6	61A-45981-00-00	.DAMPER RUBBER, PROPELLER	1	UR FOR 66K, 6R1, 6R4, 61A, 61B, 69L, 6G5 & 6K1



70 ~ 225 SPECIAL HP
HIGH PERFORMANCE

Part List

RIGGING 2007 0406 / PROPELLERS SPECIAL

REF - NO	PART NUMBER	PART NAME	QUANTITY	REMARKS
1	6E5-45972-10-00	PROPELLER (3X14"X24"-P)	1	UR SATIN
1	6E5-45978-10-00	PROPELLER (3X14"X26"-P)	1	UR SATIN
1	6E5-45976-10-00	PROPELLER (3X14"X22"-P)	1	UR SATIN
2	6G5-45981-00-00	.DAMPER RUBBER, PROPELLER	1	