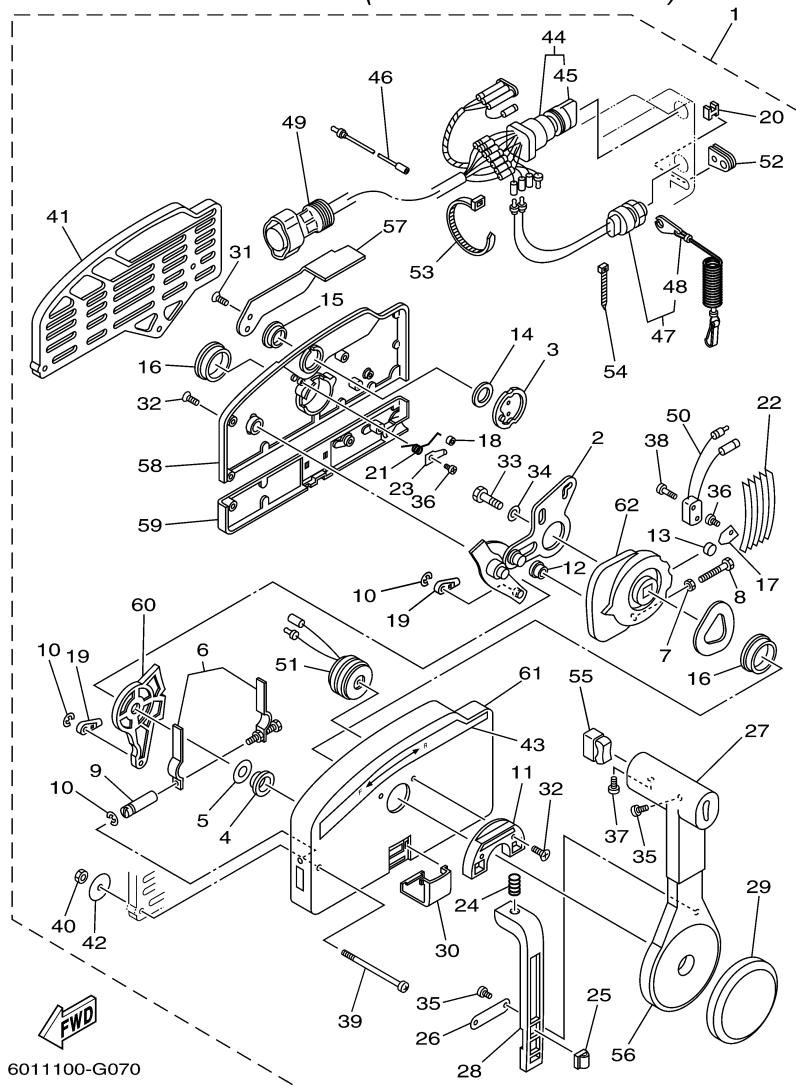


Control Box Application Chart

Full Model	Side 703-48207-17-10	Flush 6X3-48206-00-00 With 6X3-8257B-00-00 Key Key Switch or 6X0-48206-12-00 with 704-82570-08-00 Switch Panel	Top 704-48205-P0-00 or 704-82505-B0-00 both with 704-82570-08-00 Switch Panel)	Dual 704-48207-P0-00 (6K1-82570-08-00 Dual Switch Panel)	
F2.9MSH					
F4MSH					
F4MLH					
F6MSH					
F6MLH					
F8MSH					
F8MLH					
8MSH					
T8ELH					
T8EXH					
T8PLH					
T8PXH					
T8PLR	X	X	X		
T8PXR	X	X	X		
9.9MSH					
F9.9MSH					
F9.9MLH					
F9.9ELR	X	X	X		
T9.9ELH					
T9.9EXH					
T9.9ELR	X	X	X		
15MSH					
F15MSH					
F15MLH					
F15ESH					
F15ELH					
F15PLH					
F15PLR	X	X	X		
25MSH					
25ELR			X (Use with 703-8258A-00-00)		SEE NOTE
F25MSH					
F25MLH					
F25ESH					
F25ESR	X	X	X		
F25ELH					
F25ELR	X	X	X		
F25TLR	X	X	X		
T25TLR	X	X	X		
F30TLR	X	X	X		
40TLR	X	X	X		
F40MSH					
F40MLH					
F40TLR	X	X	X		
F40MJH					
F40EJR	X	X	X		
50TLR	X	X	X		
F50TLR	X	X	X		
T50TLR	X	X	X		
60TLR	X	X	X		
F60TLR	X	X	X		
T60TLR	X	X	X		
F60TJR	X	X	X		
70TLR	X	X	X		
F75TLR	X	X	X		
90TLR	X	X	X		
F90TLR	X	X	X		
F90TXR	X	X	X		
F90TJR	X	X	X		

NOTE: USE WITH 7-PIN CONTROL, 703-48230-15-10

703 REMOTE CONTROL (PULL TO OPEN TYPE)



Part List


RIGGING 2006 0405 / CONTROL STANDARD SIDE 703 PULL

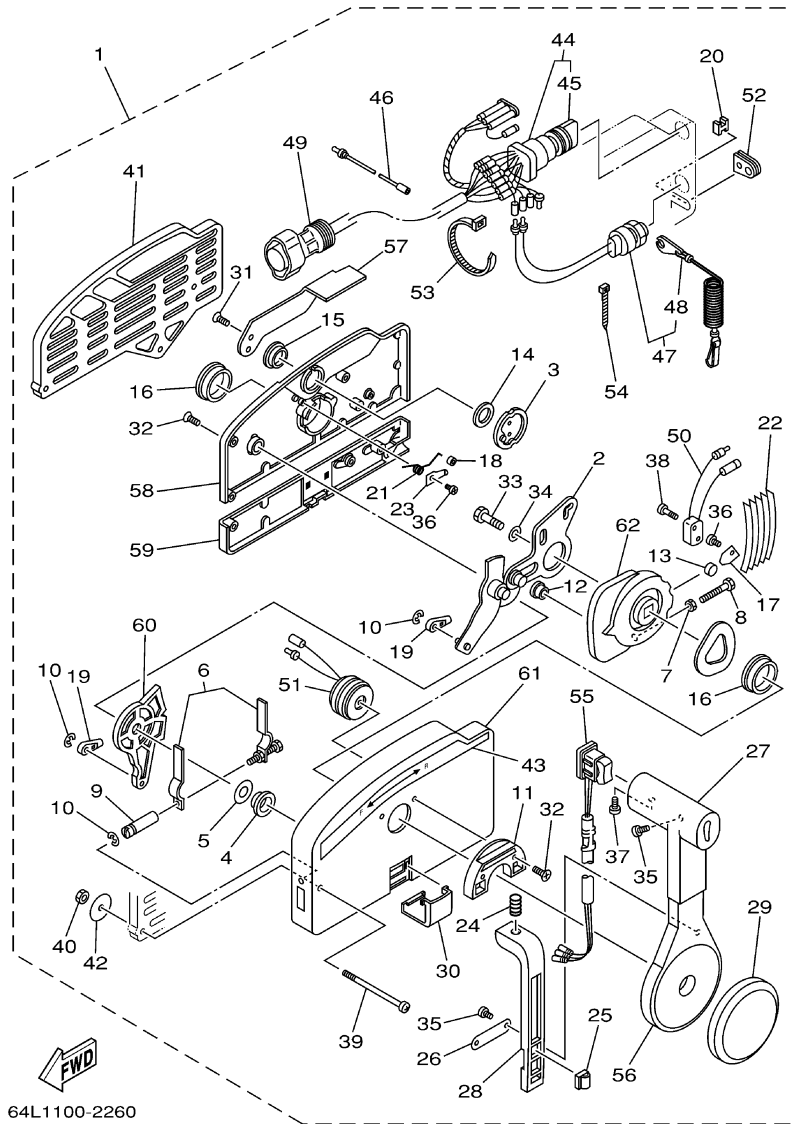
REF - NO	PART NUMBER	PART NAME	QUANTITY	REMARKS
1	703-48230-15-10	CONTROL 7P PULL CHOKE	1	WITHOUT PT/T
2	703-48261-00-00	.ARM, THROTTLE	1	
3	703-48153-00-00	.SHAFT, FREE ACCEL	1	
4	703-48235-00-00	.BUSHING	1	
5	703-48268-00-00	.SPACER	1	
6	703-48264-00-00	.FRICTION, THROTTLE	1	
7	95380-05600-00	.NUT	1	
8	97380-05025-00	.BOLT	1	
9	703-48265-00-00	.SHAFT, FRICTION	1	
10	93430-06024-00	.CIRCLIP	3	
11	703-48245-00-00	.PLATE, LOCK	1	
12	703-48252-00-00	.ROLLER, CAM	1	
13	701-48248-00-00	.ROLLER, FREE ACCEL	1	
14	703-48198-00-00	.WASHER, WAVE	1	
15	703-48243-00-00	.BUSHING	1	
16	703-48236-00-00	.BUSHING 1	2	
17	703-48189-00-00	.RETAINER	1	
18	703-48234-00-00	.ROLLER, DETENT	1	
19	703-48345-01-00	.CABLE END, REMOTE CONTROL 2	2	
20	703-48358-00-00	.ANCHOR, CABLE	1	
21	703-48244-00-00	.SPRING, FREE ACCEL	1	
22	703-48238-00-00	.SPRING, DETENT	5	
23	703-48246-00-00	.SPACER	1	
24	703-48227-00-00	.SPRING, NEUTRAL LOCK	1	
25	703-82594-00-00	.CLAMP	1	
26	703-48226-00-00	.PLATE, STOPPER	1	
27	703-48222-00-00	.GRIP, CONTROL LEVER	1	
28	703-48223-00-00	.LOCK, NEUTRAL	1	
29	703-48225-00-00	.COVER	1	
30	703-48219-00-00	.COVER, LEAD	1	
31	703-48281-00-00	.SCREW	2	
32	703-48282-00-00	.SCREW	7	
33	97380-08030-00	.BOLT	1	
34	92990-08600-00	.WASHER, PLATE	1	
35	98580-04010-00	.SCREW, PAN HEAD	3	
36	98580-04006-00	.SCREW, PAN HEAD	2	
37	98580-05010-00	.SCREW, PAN HEAD	1	
38	98580-03015-00	.SCREW, PAN HEAD	2	
39	703-48291-10-00	.SCREW (M6)	3	
40	95380-06600-00	.NUT, HEXAGON	3	
41	703-48293-10-00	.SPACER, REMOTE CONTROL	1	
42	701-48287-00-00	.WASHER	3	
43	703-48215-00-00	.GRAPHIC	1	
44	703-82510-33-00	.MAIN SWITCH ASSY	1	
45	703-82577-00-00	..CAP, KEY	1	
46	703-82531-00-00	.WIRE, LEAD (L70)	1	
47	688-82575-01-00	.ENGINE STOP SWITCH ASSY	1	
48	682-82556-00-00	..LANYARD, STOP SWITCH	1	
49	688-82586-21-00	.EXTENSION, WIRE HARNESS (49M)	1	
50	703-82540-00-00	.NEUTRAL SWITCH ASSY	1	
51	703-83383-02-00	.BUZZER	1	

52	703-48284-00-00	.GROMMET	1
53	703-82591-00-00	.BAND	1
54	703-82592-00-00	.BAND	1
55	703-48224-00-00	.COVER, CONTROL LEVER	1
56	703-48221-00-00	.LEVER, CONTROL	1
57	703-48152-00-00	.KNOB, FREE ACCEL	1
58	703-48212-00-00	.BACK PLATE 1	1
59	703-48213-00-00	.BACK PLATE 2	1
60	703-48271-00-00	.ARM, SHIFT	1
61	703-48211-01-00	.HOUSING 1	1
62	703-48232-00-00	.GEAR	1

Part Notes

RIGGING 2006 0405 / CONTROL STANDARD SIDE 703 PULL

PART NUMBER		NOTE TEXT
682-82556-00-00		OEM: This part number is among the Top 100 Most Popular Marine Maintenance Parts as of February 2013.



64L1100-2260

Part List


RIGGING 2006 0405 / CONTROL STANDARD SIDE 703 PUSH

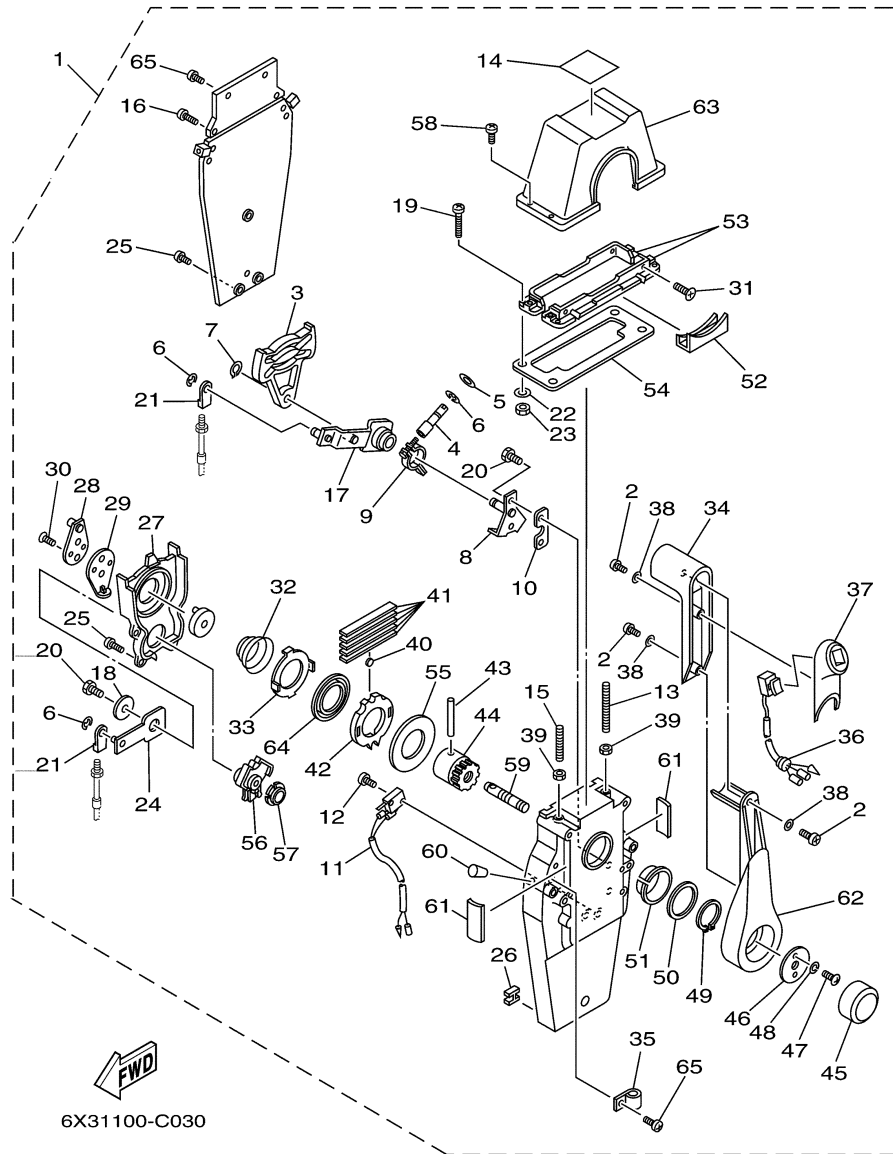
REF - NO	PART NUMBER	PART NAME	QUANTITY	REMARKS
1	703-48207-17-10	PUSH 10P KEY CHOKE	1	AP WITH PT/T SWITCH
2	703-48261-01-00	.ARM, THROTTLE	1	
3	703-48153-00-00	.SHAFT, FREE ACCEL	1	
4	703-48235-00-00	.BUSHING	1	
5	703-48268-00-00	.SPACER	1	
6	703-48264-00-00	.FRICTION, THROTTLE	6	
7	95380-05600-00	.NUT	1	
8	97380-05025-00	.BOLT	1	
9	703-482-65-00-00	.SHAFT, FRICTION	1	
10	93430-06024-00	.CIRCLIP	3	
11	703-48245-00-00	.PLATE, LOCK	1	
12	703-48252-00-00	.ROLLER, CAM	1	
13	701-48248-00-00	.ROLLER, FREE ACCEL	1	
14	703-48198-00-00	.WASHER, WAVE	1	
15	703-48243-00-00	.BUSHING	1	
16	703-48236-00-00	.BUSHING 1	2	
17	703-48189-00-00	.RETAINER	1	
18	703-48234-00-00	.ROLLER, DETENT	1	
19	703-48345-01-00	.CABLE END, REMOTE CONTROL 2	1	
20	703-48358-00-00	.ANCHOR, CABLE	1	
21	703-48244-00-00	.SPRING, FREE ACCEL	1	
22	703-48238-00-00	.SPRING, DETENT	1	
23	703-48246-00-00	.SPACER	1	
24	703-48227-00-00	.SPRING, NEUTRAL LOCK	1	
25	703-82594-00-00	.CLAMP	1	WITH PT/T SWITCH
26	703-48226-00-00	.PLATE, STOPPER	1	
27	703-48222-00-00	.GRIP, CONTROL LEVER	1	SINGLE
28	703-48223-00-00	.LOCK, NEUTRAL	1	
29	703-48225-00-00	.COVER	1	
30	703-48219-00-00	.COVER, LEAD	1	
31	703-48281-00-00	.SCREW	2	
32	703-48282-00-00	.SCREW	7	
33	97380-08030-00	.BOLT	1	
34	92990-08600-00	.WASHER, PLATE	1	
35	98580-04010-00	SCREW, PAN HEAD	3	
36	98580-04006-00	.SCREW, PAN HEAD	2	
37	98580-05010-00	.SCREW, PAN HEAD	1	
38	98580-03015-00	.SCREW, PAN HEAD	2	
39	703-48291-10-00	.SCREW (M6)	3	
40	95380-06600-00	.NUT, HEXAGON	3	
41	703-48293-10-00	.SPACER, REMOTE CONTROL	1	SINGLE
42	701-48287-00-00	.WASHER	3	
43	703-48215-00-00	.GRAPHIC	1	
44	703-82510-43-00	.MAIN SWITCH ASSY	1	
45	703-82577-00-00	..CAP, KEY	1	
46	703-82531-00-00	.WIRE, LEAD (L70)	1	
47	688-82575-01-00	.ENGINE STOP SWITCH ASSY	1	
48	682-82556-00-00	..LANYARD, STOP SWITCH	1	
49	688-8258A-20-00	.EXTENSION, WIRE HARNESS (49M)	1	L:5M (10P)
50	703-82540-00-00	.NEUTRAL SWITCH ASSY	1	
51	703-83383-02-00	.BUZZER	1	

52	703-48284-00-00	.GROMMET	1	
53	703-82591-00-00	.BAND	1	
54	703-82592-00-00	.BAND	1	
55	703-82563-12-00	..TRIM & TILT SWITCH ASSY	1	WITH PT/T SWITCH
56	703-48221-00-00	.LEVER, CONTROL	1	
57	703-48152-00-00	.KNOB, FREE ACCEL	1	
58	703-48212-00-00	.BACK PLATE 1	1	
59	703-48213-00-00	.BACK PLATE 2	1	
60	703-48271-00-00	.ARM, SHIFT	1	
61	703-48211-01-00	.HOUSING 1	1	
62	703-48232-00-00	.GEAR	1	

Part Notes

RIGGING 2006 0405 / CONTROL STANDARD SIDE 703 PUSH

PART NUMBER		NOTE TEXT
682-82556-00-00		OEM: This part number is among the Top 100 Most Popular Marine Maintenance Parts as of February 2013.

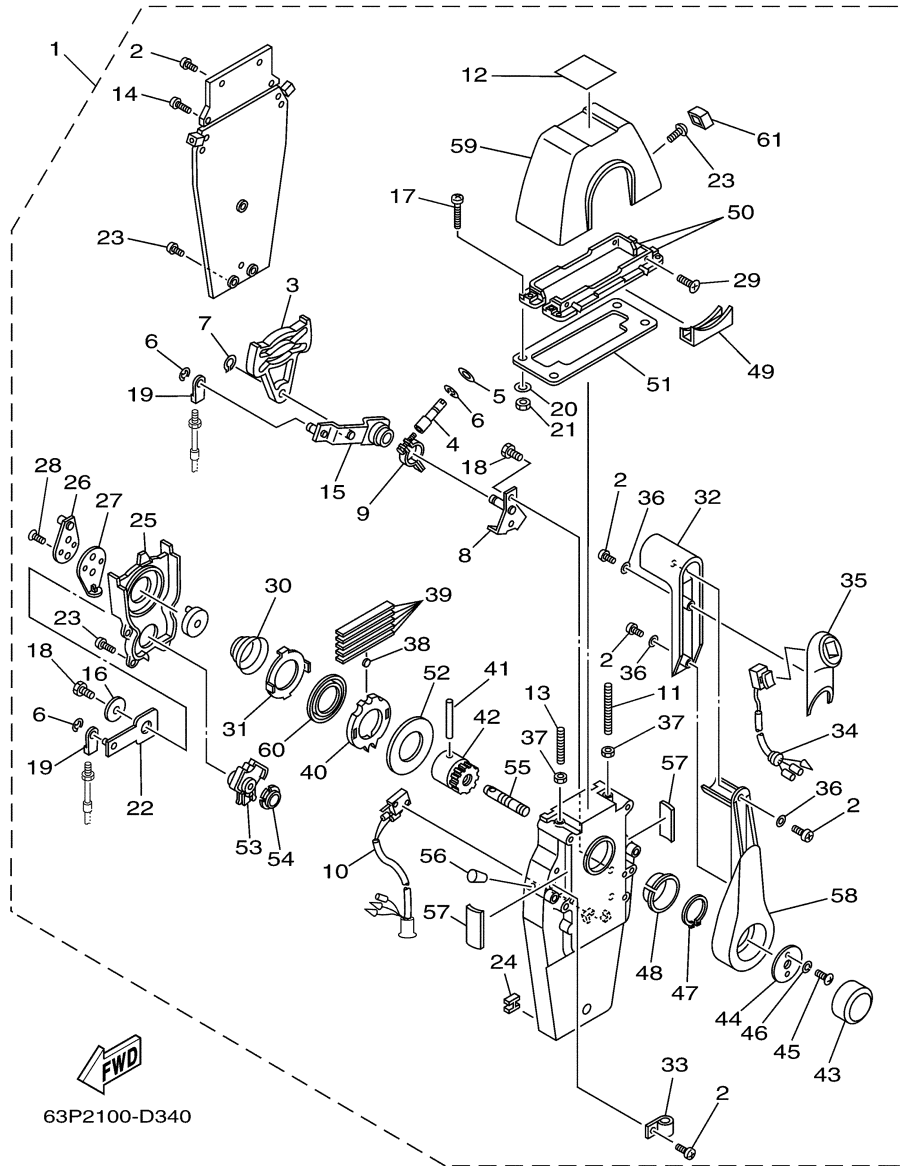


Part List

RIGGING 2006 0405 / CONTROL BINNACLE STANDARD SINGLE

REF - NO	PART NUMBER	PART NAME	QUANTITY	REMARKS
1	704-48205-B0-00	REMOTE CONTROL ASSY	1	
2	704-48128-00-00	.SCREW 2	3	
3	EL8-48251-00-00	.PLATE, CAM	1	
4	704-48265-00-00	.SHAFT, FRICTION	1	
5	701-48246-00-00	.SPACER	1	
6	93430-06024-00	.CIRCLIP	4	
7	EL8-48259-00-00	.CIRCLIP 1	1	
8	704-48262-00-00	.SHAFT, THROTTLE	1	
9	704-48264-00-00	.THROTTLE, FRICTION	1	
10	704-48266-00-00	.SPACER	1	
11	704-82540-20-00	.NEUTRAL SWITCH ASSY	1	
12	6A5-48129-10-00	.SCREW 3	2	
13	EL8-48281-00-00	.SCREW	1	
14	704-48215-00-00	.GRAPHIC	1	
15	704-48281-00-00	.SCREW	1	
16	97890-05025-00	.SCREW, PAN HEAD	2	
17	704-48261-00-00	.ARM, THROTTLE	1	
18	EL8-48191-00-00	.WASHER 1	1	
19	704-48283-00-00	.SCREW	4	
20	97380-06018-00	.BOLT	3	
21	703-48345-01-00	.CABLE END, REMOTE CONTROL 2	2	
22	704-48287-00-00	.WASHER	4	
23	95380-05600-00	.NUT	4	
24	EL8-48271-10-00	.ARM, SHIFT	1	
25	EL8-48127-00-00	.SCREW 1	9	
26	703-48358-00-00	.ANCHOR, CABLE	1	
27	EL8-48231-00-00	.HOUSING, GEAR	1	
28	EL8-48241-10-00	.ARM, DRIVE	1	
29	EL8-48254-10-00	.STOPPER, THROTTLE ADJUST	1	
30	92780-06020-00	.SCREW, FLAT HEAD	2	
31	98780-05018-00	.SCREW, FLAT HEAD	4	
32	EL8-48244-00-00	.SPRING, FREE ACCEL	1	
33	EL8-48245-00-00	.PLATE, LOCK	1	
34	704-48222-B0-00	.GRIP, CONTROL LEVER	1	
35	704-82594-00-00	.CLAMP	1	
36	704-82563-40-00	.TRIM & TILT SWITCH ASSY	1	
37	704-48229-B1-00	.GRIP, CONTROL LEVER	1	
38	92990-05300-00	.WASHER, INTERNAL TOOTH	3	
39	95380-06600-00	.NUT, HEXAGON	2	
40	701-48248-00-00	.ROLLER, FREE ACCEL	1	
41	704-48238-00-00	.SPRING, DETENT	5	
42	EL8-48232-00-00	.GEAR 1	1	
43	EL8-48164-00-00	.PIN 2	1	
44	704-48242-00-00	.SHAFT, DRIVE	1	
45	6X3-48225-20-00	.COVER	1	
46	704-48192-00-00	.WASHER 2	1	
47	97890-06018-00	.SCREW, PAN HEAD	2	
48	92990-06300-00	.WASHER, INTERNAL TOOTH	2	
49	EL8-48279-00-00	.CIRCLIP 2	1	
50	704-48193-00-00	.WASHER 3	1	
51	EL8-48234-00-00	.BUSHING 1	1	

52	704-48219-B0-00	.COVER, LEAD	1	
53	704-48144-00-00	.PLATE, STOPPER 2	2	
54	704-48176-00-00	.GROMMET	1	
55	703-48192-00-00	.WASHER 2	1	
56	EL8-48233-00-00	.GEAR 2	1	
57	702-48235-00-00	.BUSHING	1	
58	704-48282-00-00	.SCREW	4	
59	704-48153-00-00	.SHAFT, FREE ACCEL	1	
60	704-48166-00-00	.PLUG	1	
61	704-48284-00-00	.GROMMET	2	
62	704-48221-B0-00	.LEVER, CONTROL	1	
63	704-48119-B0-00	.COVER	1	
64	704-48176-10-00	.GROMMET	1	
65	97890-05016-00	.SCREW, PAN HEAD	3	



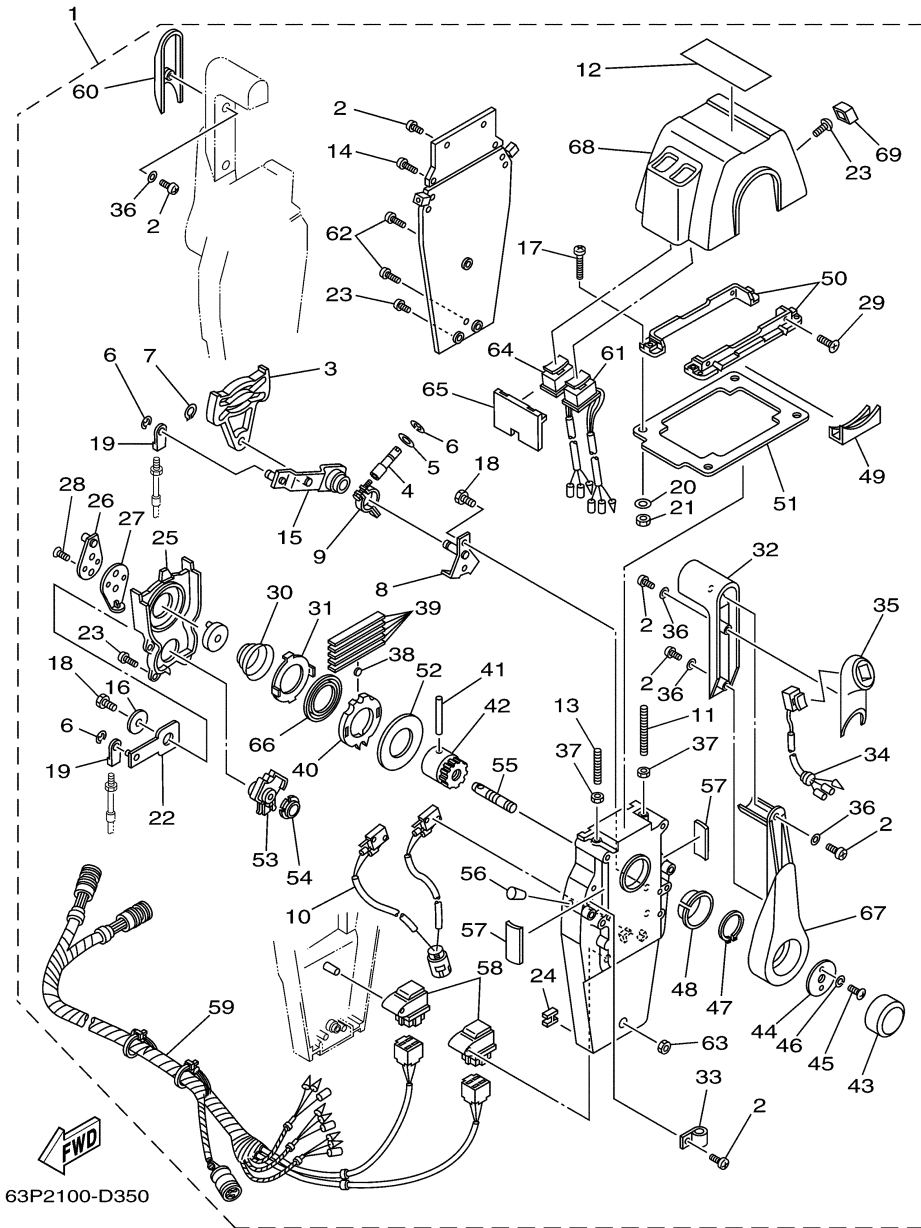
 63P2100-D340

Part List

RIGGING 2006 0405 / CONTROL BINNACLE PREMIUM SINGLE

REF - NO	PART NUMBER	PART NAME	QUANTITY	REMARKS
1	704-48205-P0-00	REMOTE CONTROL ASSY	1	
2	704-48128-00-00	.SCREW 2	6	
3	EL8-48251-00-00	.PLATE, CAM	1	
4	704-48265-00-00	.SHAFT, FRICTION	1	
5	701-48246-00-00	.SPACER	1	
6	93430-06024-00	.CIRCLIP	4	
7	EL8-48259-00-00	.CIRCLIP 1	1	
8	704-48262-00-00	.SHAFT, THROTTLE	1	
9	704-48264-00-00	.THROTTLE, FRICTION	1	
10	704-82540-20-00	.NEUTRAL SWITCH ASSY	1	
11	EL8-48281-00-00	.SCREW	1	
12	704-48215-20-00	.GRAPHIC	1	
13	704-48281-00-00	.SCREW	1	
14	97890-05025-00	.SCREW, PAN HEAD	2	
15	704-48261-00-00	.ARM, THROTTLE	1	
16	EL8-48191-00-00	.WASHER 1	1	
17	704-48283-00-00	.SCREW	4	
18	97380-06018-00	.BOLT	3	
19	703-48345-01-00	.CABLE END, REMOTE CONTROL 2	2	
20	704-48287-00-00	.WASHER	4	
21	95380-05600-00	.NUT	4	
22	704-48271-00-00	.ARM, SHIFT	1	
23	EL8-48127-00-00	.SCREW 1	10	
24	703-48358-00-00	.ANCHOR, CABLE	1	
25	704-48231-00-00	.HOUSING, GEAR	1	
26	EL8-48241-00-00	.ARM, DRIVE	1	
27	EL8-48254-00-00	.STOPPER, THROTTLE ADJUSTING	1	
28	92780-06020-00	.SCREW, FLAT HEAD	2	
29	98780-05018-00	.SCREW, FLAT HEAD	4	
30	EL8-48244-00-00	.SPRING, FREE ACCEL	1	
31	EL8-48245-00-00	.PLATE, LOCK	1	
32	704-48222-P0-00	.GRIP, CONTROL LEVER	1	
33	704-82594-00-00	.CLAMP	1	
34	704-82563-40-00	.TRIM & TILT SWITCH ASSY	1	
35	704-48229-P0-00	.GRIP, CONTROL LEVER	1	
36	92990-05300-00	.WASHER, INTERNAL TOOTH	3	
37	95380-06600-00	.NUT, HEXAGON	2	
38	701-48248-00-00	.ROLLER, FREE ACCEL	1	
39	704-48238-00-00	.SPRING, DETENT	5	
40	704-48232-P0-00	.GEAR	1	
41	EL8-48164-00-00	.PIN 2	1	
42	704-48242-10-00	.SHAFT, DRIVE	1	
43	6X3-48225-20-00	.COVER	1	
44	704-48192-00-00	.WASHER 2	1	
45	97890-06019-00	.SCREW, PAN HEAD	2	
46	92990-06300-00	.WASHER, INTERNAL TOOTH	2	
47	EL8-48279-00-00	.CIRCLIP 2	1	
48	704-48234-00-00	.BUSHING 1	1	
49	704-48219-P0-00	.COVER, LEAD	1	
50	704-48144-10-00	.PLATE, STOPPER 2	2	
51	704-48176-00-00	.GROMMET	1	

52	704-48192-00-00	.WASHER 2	1	
53	704-48233-00-00	.GEAR 2	1	
54	702-48235-00-00	.BUSHING	1	
55	704-48153-00-00	.SHAFT, FREE ACCEL	1	
56	704-48166-00-00	.PLUG	1	
57	704-48284-P0-00	.GROMMET	2	
58	704-48221-P0-00	.LEVER, CONTROL	1	
59	704-48119-30-00	.COVER	1	
60	704-48178-10-00	.PLATE, SHIFT	1	
61	704-48167-00-00	.PLUG	1	



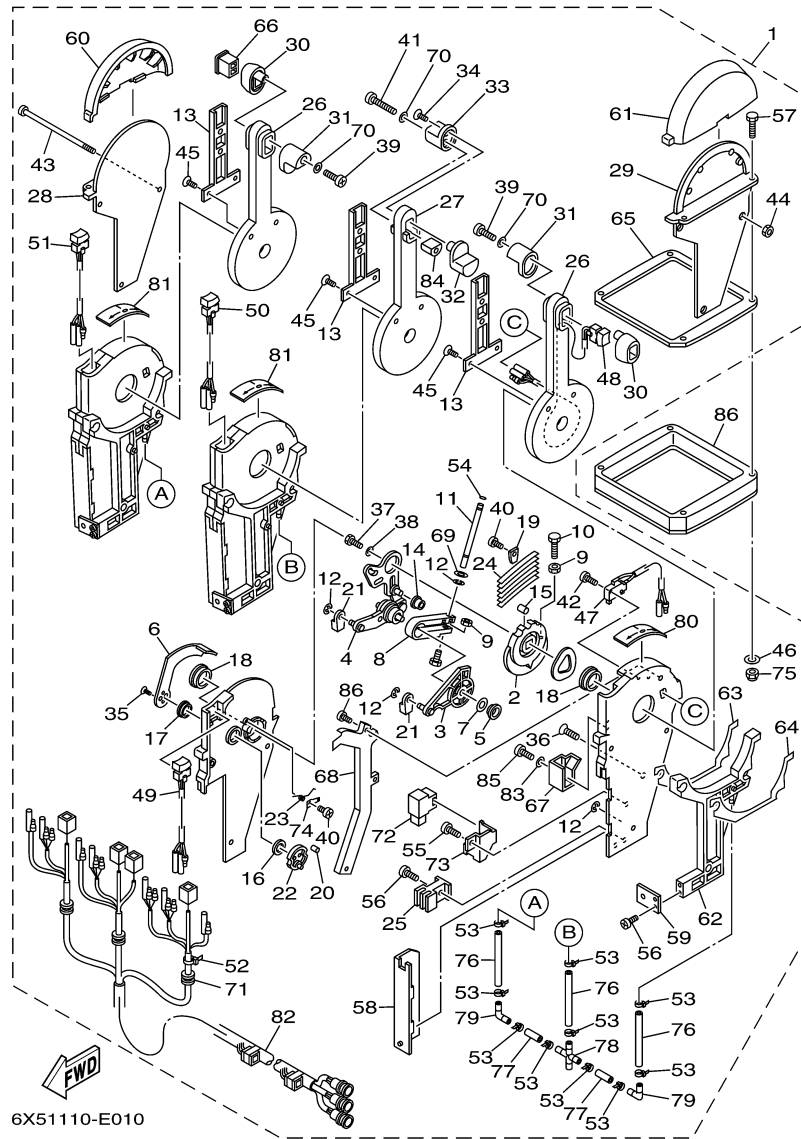
63P2100-D350

Part List

RIGGING 2006 0405 / CONTROL BINNACLE PREMIUM DUAL

REF - NO	PART NUMBER	PART NAME	QUANTITY	REMARKS
1	704-48207-P0-00	REMOTE CONTROL ASSY	1	
2	704-48128-00-00	.SCREW 2	12	
3	EL8-48151-00-00	.PLATE, CAM	2	
4	704-48265-00-00	.SHAFT, FRICTION	2	
5	701-48246-00-00	.SPACER	2	
6	93430-06024-00	.CIRCLIP	8	
7	EL8-48259-00-00	.CIRCLIP 1	2	
8	704-48262-00-00	.SHAFT, THROTTLE	2	
9	704-48264-00-00	.THROTTLE, FRICTION	2	
10	704-82540-30-00	.NEUTRAL SWITCH ASSY	1	
11	EL8-48281-00-00	.SCREW	2	
12	704-48215-30-00	.GRAPHIC	1	
13	704-48281-00-00	.SCREW	2	
14	97890-05025-00	.SCREW, PAN HEAD	4	
15	704-48261-00-00	.ARM, THROTTLE	2	
16	EL8-48191-00-00	.WASHER 1	2	
17	704-48283-00-00	.SCREW	4	
18	93780-06018-00	.BOLT	6	
19	703-48345-01-00	.CABLE END, REMOTE CONTROL 2	4	
20	704-48287-00-00	.WASHER	4	
21	95380-05600-00	.NUT	4	
22	704-48271-00-00	.ARM, SHIFT	2	
23	EL8-48127-00-00	.SCREW 1	16	
24	703-48358-00-00	.ANCHOR, CABLE	2	
25	704-48231-00-00	.HOUSING, GEAR	2	
26	EL8-48241-00-00	.ARM, DRIVE	2	
27	EL8-48254-00-00	.STOPPER, THROTTLE ADJUSTING	2	
28	92780-06020-00	.SCREW, FLAT HEAD	4	
29	98780-05018-00	.SCREW, FLAT HEAD	4	
30	EL8-48244-00-00	.SPRING, FREE ACCEL	2	
31	EL8-48245-00-00	.PLATE, LOCK	2	
32	704-48222-P0-00	.GRIP, CONTROL LEVER	2	
33	704-82594-00-00	.CLAMP	1	
34	704-82563-50-00	.TRIM & TILT SWITCH ASSY	1	
35	704-48229-P0-00	.GRIP, CONTROL LEVER	1	
36	92990-05300-00	.WASHER, INTERNAL TOOTH	6	
37	95380-06600-00	.NUT, HEXAGON	4	
38	701-48248-00-00	.ROLLER, FREE ACCEL	2	
39	704-48238-00-00	.SPRING, DETENT	10	
40	704-48232-P0-00	.GEAR	2	
41	EL8-48164-00-00	.PIN 2	2	
42	704-48242-10-00	.SHAFT, DRIVE	2	
43	6X3-48225-20-00	.COVER	2	
44	704-48192-00-00	.WASHER 2	2	
45	97890-06018-00	.SCREW, PAN HEAD	4	
46	92990-06300-00	.WASHER, INTERNAL TOOTH	4	
47	EL8-48279-00-00	.CIRCLIP 2	2	
48	704-48234-00-00	.BUSHING 1	2	
49	704-48219-P0-00	.COVER, LEAD	2	
50	704-48144-20-00	.PLATE, STOPPER 2	2	
51	704-48176-10-00	.GROMMET	1	

52	704-48192-00-00	.WASHER 2	2	
53	704-48233-00-00	.GEAR 2	2	
54	702-48235-00-00	.BUSHING	2	
55	704-48153-00-00	.SHAFT, FREE ACCEL	2	
56	704-48166-00-00	.PLUG	2	
57	704-48284-P0-00	.GROMMET	4	
58	704-81950-10-00	.RELAY ASSY	2	
59	704-82590-10-00	.WIRE HARNESS ASSY	1	
60	704-48229-Q0-00	.GRIP, CONTROL LEVER	1	
61	704-82563-H0-00	.TRIM & TILT SWITCH ASSY	1	
62	704-48128-00-00	.SCREW 2	3	
63	704-48156-00-00	.NUT 1	1	
64	704-82563-J0-00	.TRIM & TILT SWITCH ASSY	1	
65	704-48285-10-00	.GROMMET 2	1	
66	704-48178-10-00	.PLATE, SHIFT	2	
67	704-48221-P0-00	.LEVER, CONTROL	2	
68	704-48119-40-00	COVER	1	
69	704-48167-10-00	.PLUG	1	



6X51110-E010

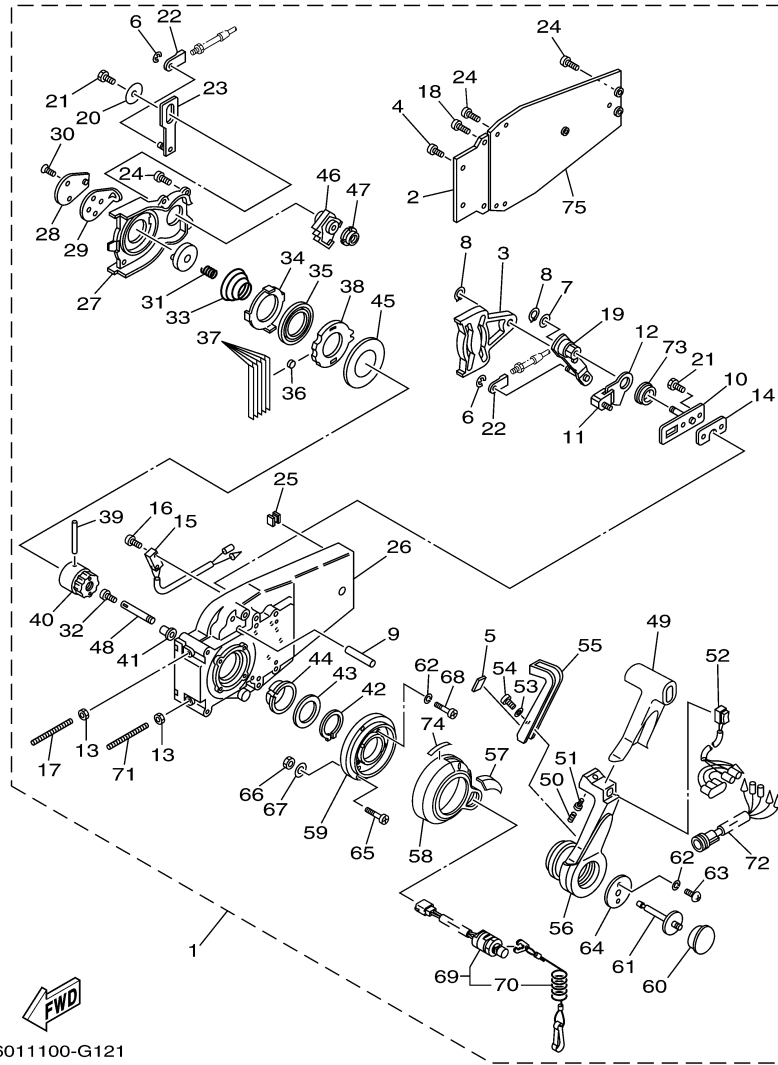
Part List

RIGGING 2006 0405 / CONTROL BINNACLE PREMIUM TRIPLE

REF - NO	PART NUMBER	PART NAME	QUANTITY	REMARKS
1	6X5-48207-00-00	REMOTE CONTROL ASSY	1	
2	6X5-48232-00-00	.GEAR	3	
3	6X5-48271-00-00	.ARM, SHIFT	3	
4	6X5-48261-00-00	.ARM, THROTTLE	3	
5	703-48235-00-00	.BUSHING	3	
6	6X5-48152-00-00	.KNOB, FREE ACCEL	3	
7	703-48268-00-00	.SPACER	3	
8	6X5-48264-00-00	.FRICTION, THROTTLE	3	
9	95380-05600-00	.NUT	6	
10	97380-05025-00	.BOLT	3	
11	6X5-48265-00-00	.SHAFT, FRICTION	3	
12	93430-06024-00	.CIRCLIP	12	
13	6X5-48224-00-00	.COVER, CONTROL LEVER	3	
14	703-48252-00-00	.ROLLER, CAM	3	
15	701-48248-00-00	.ROLLER, FREE ACCEL	3	
16	703-48198-00-00	.WASHER, WAVE	3	
17	703-48243-00-00	.BUSHING	3	
18	703-48236-00-00	.BUSHING 1	6	
19	703-48189-00-00	.RETAINER	3	
20	703-48234-00-00	.ROLLER, DETENT	3	
21	703-48345-01-00	.CABLE END, REMOTE CONTROL 2	6	
22	703-48153-00-00	.SHAFT, FREE ACCEL	3	
23	703-48244-00-00	.SPRING, FREE ACCEL	3	
24	703-48238-00-00	.SPRING, DETENT	18	
25	6X5-48358-00-00	.ANCHOR, CABLE	3	
26	6X5-48221-00-00	.LEVER, CONTROL	2	
27	6X5-48221-00-00	.LEVER, CONTROL	1	
28	6X5-48144-10-00	.PLATE, STOPPER 2	1	
29	6X5-48144-00-00	.PLATE, STOPPER 2	1	
30	6X5-48229-00-00	.GRIP, CONTROL LEVER	2	
31	6X5-48222-00-00	.GRIP, CONTROL LEVER	2	
32	6X5-48229-10-00	.GRIP, CONTROL LEVER	1	
33	6X5-48222-10-00	.GRIP, CONTROL LEVER	1	
34	6X5-48127-00-00	.SCREW 1	1	
35	703-48128-00-00	.SCREW 2	6	
36	6X5-48129-00-00	.SCREW 3	9	
37	97380-08030-00	.BOLT	3	
38	92990-08600-00	.WASHER, PLATE	3	
39	6X5-48127-10-00	.SCREW 1	2	
40	98580-04006-00	.SCREW, PAN HEAD	6	
41	6X5-48127-20-00	.SCREW 1	1	
42	98580-03015-00	.SCREW, PAN HEAD	6	
43	6X5-48267-00-00	.BOLT SET	3	
44	95780-06300-00	.NUT, FLANGE	3	
45	98780-04010-00	.SCREW, FLAT HEAD	6	
46	704-48287-00-00	.WASHER	4	
47	6X5-82540-00-00	.NEUTRAL SWITCH ASSY	3	
48	6X5-82563-00-00	.TRIM & TILT SWITCH ASSY	1	
49	6X5-82563-10-00	.TRIM & TILT SWITCH ASSY	1	
50	6X5-82563-20-00	.TRIM & TILT SWITCH ASSY	1	
51	6X5-82563-30-00	.TRIM & TILT SWITCH ASSY	1	
52	6X5-48291-00-00	.ATTACHMENT	1	

53	6X5-48292-00-00	.ATTACHMENT 2	12	
54	6X5-48351-00-00	.SEAL, RUBBER	3	
55	98580-05010-00	.SCREW, PAN HEAD	3	
56	98580-05012-00	.SCREW, PAN HEAD	12	
57	98580-05040-00	.SCREW, PAN HEAD	4	UR
57	97780-05130-00	.SCREW, TAPPING	4	UR
58	6X5-48213-00-00	.BACK PLATE 2	3	
59	6X5-48354-00-00	.SET-PLATE, CABLE	3	
60	6X5-48119-10-00	.COVER	1	
61	6X5-48119-00-00	.COVER	1	
62	6X5-48246-00-00	.SPACER	3	
63	6X5-48214-00-00	.PAD	3	
64	6X5-48214-10-00	.PAD	3	
65	6X5-48176-00-00	.GROMMET	1	
66	6X5-48222-20-00	.GRIP, CONTROL LEVER	1	
67	6X5-48219-00-00	.COVER, LEAD	3	
68	6X5-48225-00-00	.COVER	3	
69	92990-08600-00	.WASHER, PLATE	3	
70	92990-05300-00	.WASHER, INTERNAL TOOTH	3	
71	6X5-48175-00-00	.BOOT	3	
72	704-81950-10-00	.RELAY ASSY	4	
73	6X5-48228-00-00	.HOLDER, SWITCH	3	
74	703-48246-00-00	.SPACER	3	
75	95380-06600-00	.NUT, HEXAGON	4	
76	6X5-48317-00-00	.TUBE	3	
77	7X5-48317-10-00	.TUBE	2	
78	6X5-48338-00-00	.CONNECTOR	1	
79	6X5-48338-10-00	.CONNECTOR	2	
80	6X5-48215-00-00	.GRAPHIC	1	
81	6X5-48215-10-00	.GRAPHIC	2	
82	6X5-82590-00-00	.WIRE HARNESS ASSY	1	
83	92990-05200-00	.WASHER, PLAIN	15	
84	6X5-48222-30-00	.GRIP, CONTROL LEVER	1	
85	98580-05012-00	.SCREW, PAN HEAD	15	
86	6X5-48293-00-00	SPACER, REMOTE CONTROL	1	LM

6X3 REMOTE CONTROL



6011100-G121

Part List



RIGGING 2006 0405 / CONTROL SIDE FLUSH PREMIUM

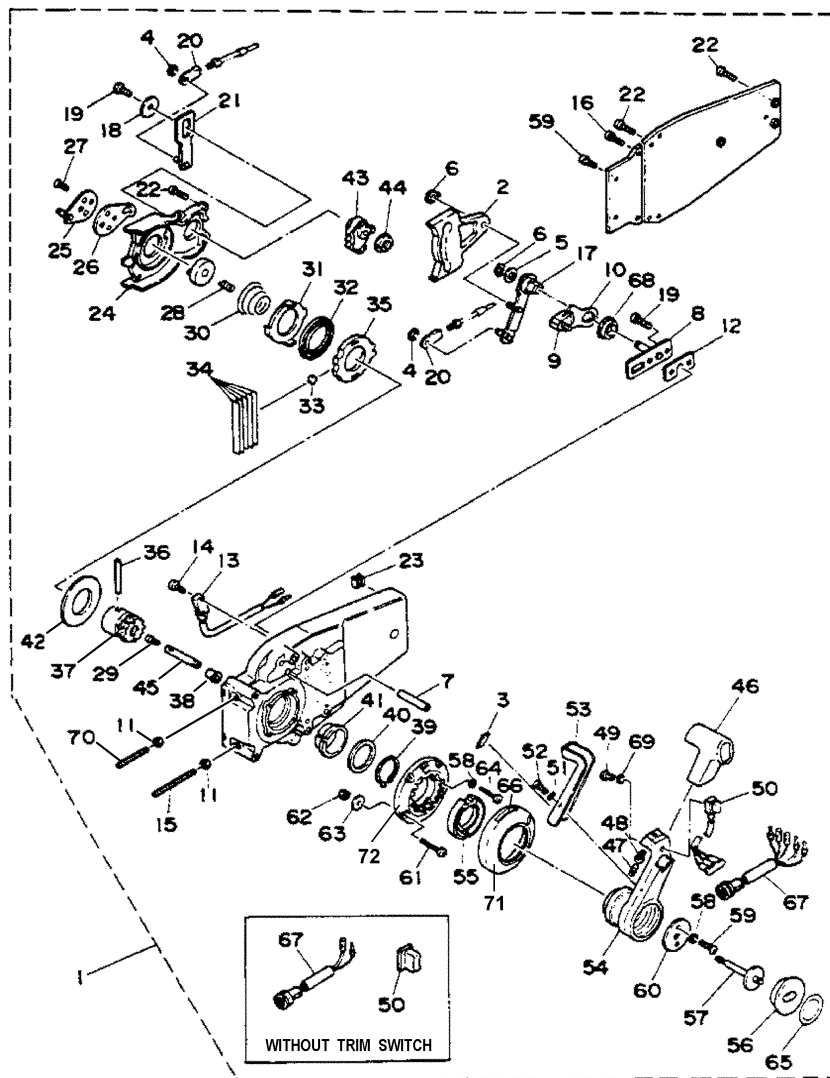
REF - NO	PART NUMBER	PART NAME	QUANTITY	REMARKS
1	6X3-48206-01-00	REMOTE CONTROL ASSY	1	AP WITH PT/T SWITCH
2	EL8-48212-00-00	.BACK PLATE 1	1	
3	EL8-48251-00-00	.PLATE, CAM	1	
4	97890-05016-00	.SCREW, PAN HEAD	2	
5	6X0-48138-00-00	.CAP, LOCK ARM	1	
6	93440-06024-00	.CIRCLIP	3	
7	92990-10600-00	.WASHER, PLATE	1	
8	EL8-48259-00-00	.CIRCLIP 1	2	
9	6X0-48265-00-00	.SHAFT, FRICTION	1	
10	6X0-48262-00-00	.SHAFT, THROTTLE	1	
11	6X0-48264-00-00	.THROTTLE, FRICTION	1	
12	6X0-48187-00-00	.PLATE, ADJUST	1	
13	95380-06600-00	.NUT, HEXAGON	2	
14	704-48266-00-00	.SPACER	1	
15	704-82540-00-00	.NEUTRAL SWITCH ASSY	1	
16	98580-03015-00	.SCREW, PAN HEAD	2	
17	EL8-48281-00-00	.SCREW	1	
18	97890-05025-00	.SCREW, PAN HEAD	2	
19	6X0-48261-00-00	.ARM, THROTTLE	1	
20	EL8-48191-00-00	.WASHER 1	1	
21	97380-06018-00	.BOLT	3	
22	703-48345-01-00	.CABLE END, REMOTE CONTROL 2	2	
23	EL8-48271-00-00	.ARM, SHIFT	1	
24	EL8-48127-00-00	.SCREW 1	11	
25	703-48358-00-00	.ANCHOR, CABLE	1	
26	6X0-48211-00-00	.HOUSING,1	1	
27	EL8-48231-00-00	.HOUSING, GEAR	1	
28	EL8-48241-00-00	.ARM, DRIVE	1	
29	EL8-48254-00-00	.STOPPER, THROTTLE ADJUSTING	1	
30	92780-06020-00	.SCREW, FLAT HEAD	2	
31	EL8-48158-00-00	.SPRING 1	1	
32	98580-04006-00	.SCREW, PAN HEAD	1	
33	EL8-48244-00-00	.SPRING, FREE ACCEL	1	
34	EL8-48245-00-00	.PLATE, LOCK	1	
35	704-48178-00-00	.PLATE, SHIFT	1	
36	701-48248-00-00	.ROLLER, FREE ACCEL	1	
37	704-48238-00-00	.SPRING, DETENT	5	
38	6X0-48121-00-00	.GEAR 1	1	
39	EL8-48164-00-00	.PIN 2	1	
40	EL8-48242-10-00	.SHAFT, DRIVE	1	
41	702-48263-00-00	.BUSHING	1	
42	EL8-48279-00-00	.CIRCLIP 2	1	
43	704-48193-00-00	.WASHER 3	1	
44	EL8-48234-00-00	.BUSHING 1	1	
45	703-48192-00-00	.WASHER 2	1	
46	EL8-48233-00-00	.GEAR 2	1	
47	702-48235-00-00	.BUSHING	1	
48	6X0-48153-01-00	.SHAFT, ACCEL	1	
49	6X3-48222-00-00	.GRIP, CONTROL LEVER	1	
50	703-48227-00-00	.SPRING, NEUTRAL LOCK	1	
51	98580-05008-00	.SCREW, PAN HEAD	1	

52	6X3-82563-01-00	.TRIM & TILT SWITCH ASSY	1	
53	6X0-48288-00-00	.WASHER, PLAIN	1	
54	6X0-48127-00-00	.SCREW 1	1	
55	6X0-48223-00-00	.LOCK, NEUTRAL	1	
56	6X3-48221-00-00	.LEVER, CONTROL	1	
57	6X3-48225-10-00	.COVER	1	
58	6X3-48225-00-00	.COVER	1	
59	6X3-48111-00-00	.BODY, REMOTE CONTROL 1	1	
60	6X3-48225-20-00	.COVER	1	
61	6X0-48155-00-00	.PLUNGER	1	
62	92990-05300-00	..WASHER, INTERNAL TOOTH	6	
63	6X0-48281-00-00	.SCREW	2	
64	6X0-48193-00-00	.WASHER 3	1	
65	97890-06035-00	.SCREW, PAN HEAD	3	UR
65	6X0-48128-00-00	..SCREW(M6X30)	3	UR
66	6X0-48156-00-00	.NUT 1	3	
67	701-48287-00-00	.WASHER	3	
68	6X3-48129-00-00	.SCREW 3	4	
69	6X3-82575-00-00	.ENGINE STOP SWITCH ASSY	1	
70	682-82556-00-00	..LANYARD, STOP SWITCH	1	
71	704-48281-00-00	.SCREW	1	
72	704-82541-10-00	.WIRE, LEAD	1	
73	6X0-48116-00-00	.BUSHING	1	
74	6X3-44191-00-00	.INDICATOR, SHIFT	1	
75	EL8-48213-00-00	.BACK PLATE 2	2	

Part Notes

RIGGING 2006 0405 / CONTROL SIDE FLUSH PREMIUM

PART NUMBER		NOTE TEXT
92990-10600-00		OEM: This part number is among the Top 100 Most Popular Marine Maintenance Parts as of February 2013.
682-82556-00-00		OEM: This part number is among the Top 100 Most Popular Marine Maintenance Parts as of February 2013.



Revised : 04-02-2012

Part List


RIGGING 2006 0405 / CONTROL FLUSH STANDARD

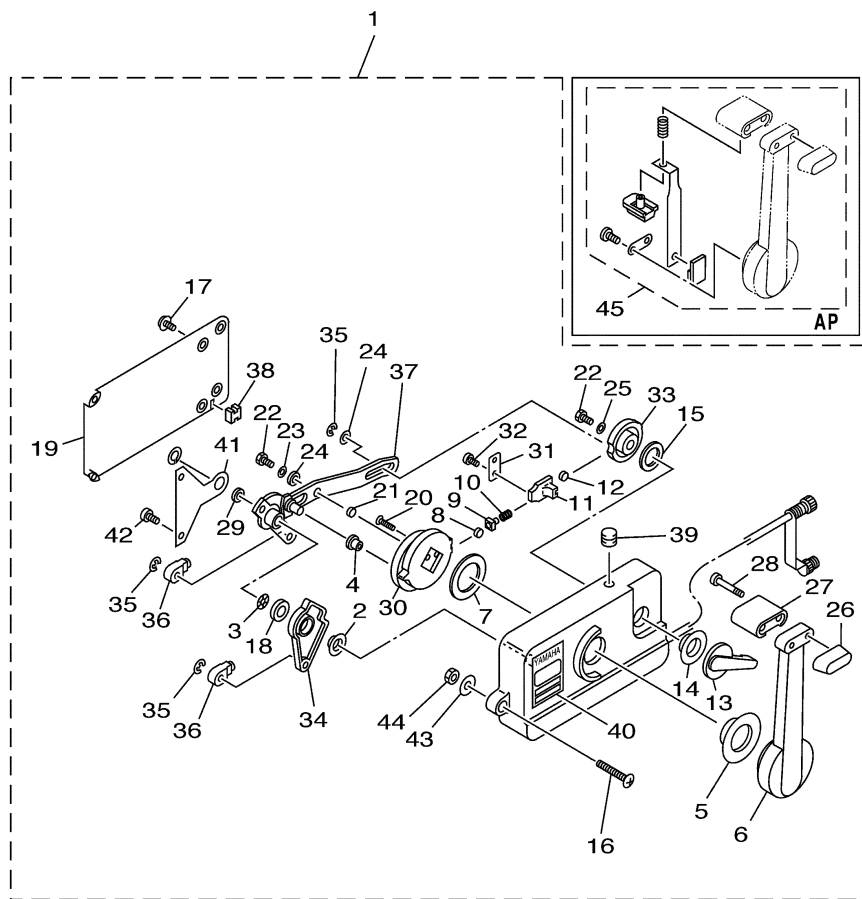
REF - NO	PART NUMBER	PART NAME	QUANTITY	REMARKS
1	6X0-48206-12-00	705 FLUSH (90) CONTROL ASSY	1	
2	6X0-48252-00-00	.PLATE, CAM	1	
3	6X0-48138-00-00	.CAP, LOCK ARM	1	
4	93430-06024-00	.CIRCLIP	3	
5	92990-10600-00	.WASHER, PLATE	1	
6	EL8-48259-00-00	.CIRCLIP 1	2	
7	6X0-48265-00-00	.SHAFT, FRICTION	1	
8	6X0-48262-00-00	.SHAFT, THROTTLE	1	
9	6X0-48264-00-00	.THROTTLE, FRICTION	1	
10	6X0-48187-00-00	.PLATE, ADJUST	1	
11	95380-06600-00	.NUT, HEXAGON	2	
12	704-48266-00-00	.SPACER	1	
13	704-82540-00-00	.NEUTRAL SWITCH ASSY	1	
14	98580-03014-00	.SCREW	2	
15	704-48281-00-00	.SCREW	1	
16	97890-05025-00	.SCREW, PAN HEAD	2	
17	6X0-48261-00-00	.ARM, THROTTLE	1	
18	EL8-48191-00-00	.WASHER 1	1	
19	97080-06018-00	.BOLT	3	
20	703-48345-01-00	.CABLE END, REMOTE CONTROL 2	2	
21	EL8-48271-00-00	.ARM, SHIFT	1	
22	EL8-48127-00-00	.SCREW 1	9	
23	703-48358-00-00	.ANCHOR, CABLE	1	
24	EL8-48231-00-00	.HOUSING, GEAR	1	
25	6X0-48241-00-00	.ARM, DRIVE	1	
26	EL8-48254-00-00	.STOPPER, THROTTLE ADJUSTING	1	
27	92780-06020-00	.SCREW, FLAT HEAD	2	
28	EL8-48158-00-00	.SPRING 1	1	
29	98580-04006-00	.SCREW, PAN HEAD	1	
30	EL8-48244-00-00	.SPRING, FREE ACCEL	1	
31	EL8-48245-00-00	.PLATE, LOCK	1	
32	704-48178-00-00	.PLATE, SHIFT	1	
33	701-48248-00-00	.ROLLER, FREE ACCEL	1	
34	704-48238-00-00	.SPRING, DETENT	5	
35	6X0-48121-00-00	.GEAR 1	1	
36	EL8-48164-00-00	.PIN 2	1	
37	EL8-48242-10-00	.SHAFT, DRIVE	1	
38	702-48263-00-00	.BUSHING	1	
39	EL8-48279-00-00	.CIRCLIP 2	1	
40	704-48193-00-00	.WASHER 3	1	
41	EL8-48234-00-00	.BUSHING 1	1	
42	703-48192-00-00	.WASHER 2	1	
43	EL8-48233-00-00	.GEAR 2	1	
44	702-48235-00-00	.BUSHING	1	
45	6X0-48153-00-00	.SHAFT, FREE ACCEL	1	
46	6X0-48222-00-00	.GRIP, CONTROL LEVER	1	
47	703-48227-00-00	.SPRING, NEUTRAL LOCK	1	
48	98580-05008-00	.SCREW, PAN HEAD	1	
49	98580-04010-00	.SCREW, PAN HEAD	1	
50	6X0-82563-01-00	.TRIM SWITCH ASSY	1	

51	6X0-48288-00-00	.WASHER, PLAIN	1	
52	6X0-48127-00-00	.SCREW 1	1	
53	6X0-48223-00-00	.LOCK, NEUTRAL	1	
54	6X0-48221-00-00	.LEVER, CONTROL	1	
55	6X0-48245-00-00	.PLATE, LOCK	1	
56	704-48225-00-00	.COVER	1	
57	6X0-48155-00-00	.PLUNGER	1	
58	92990-05300-00	.WASHER, INTERNAL TOOTH	6	
59	6X0-48281-00-00	.SCREW	6	
60	6X0-48193-00-00	.WASHER 3	1	
61	6X0-48128-00-00	.SCREW(M6X30)	3	
61	97885-06035-00	.SCREW, PAN HEAD	3	
62	6X0-48156-00-00	.NUT 1	3	
63	701-48287-00-00	.WASHER	3	
64	6X0-4812900-00	.SCREW 3	4	
65	6X0-48215-00-00	.GRAPHIC	1	
66	6E0-44191-11-00	.INDICATOR, SHIFT	1	
67	704-82541-10-00	.WIRE, LEAD	1	
68	6X0-48116-00-00	.BUSHING	1	
69	92990-04300-00	.WASHER	1	
70	EL8-48281-00-00	.SCREW	1	
71	6X0-48225-00-00	.COVER	1	
72	6X0-48111-00-00	BODY, REMOTE CONTROL 1	1	

Part Notes

RIGGING 2006 0405 / CONTROL FLUSH STANDARD

PART NUMBER		NOTE TEXT
92990-10600-00		OEM: This part number is among the Top 100 Most Popular Marine Maintenance Parts as of February 2013.

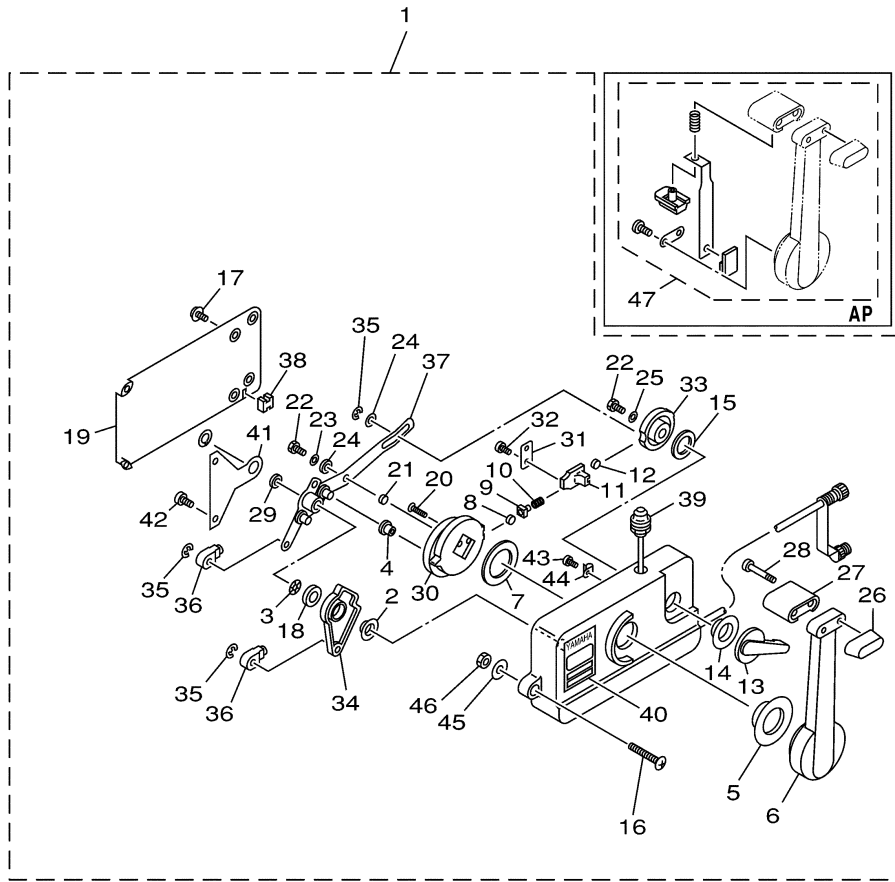


6G80100-9300

Part List

RIGGING 2006 0405 / CONTROL 701 MANUAL PULL

REF - NO	PART NUMBER	PART NAME	QUANTITY	REMARKS
1	701-48101-51-00	REMOTE CONTROL ASSY (RIGHT)	1	
2	701-48235-00-00	.BUSHING	1	
3	701-48197-10-00	.WASHER, WAVE	1	
4	701-48252-00-00	.ROLLER, CAM	1	
5	701-48234-00-00	.BUSHING 1	1	
6	701-48221-00-00	.LEVER, CONTROL	1	
7	701-48196-00-00	.WASHER, WAVE	1	
8	701-48236-00-00	.ROLLER, DETENT	1	
9	702-48237-00-00	.ADAPTOR	1	
10	702-48238-00-00	.SPRING, DETENT	1	
11	701-48249-00-00	.ADAPTOR, SPRING	1	
12	701-48248-00-00	.ROLLER, FREE ACCEL	1	
13	701-48152-00-00	.KNOB, FREE ACCEL	1	
14	701-48243-00-00	.BUSHING	1	
15	701-48198-10-00	.WASHER, WAVE	1	
16	701-48281-10-00	.SCREW	3	
17	701-48289-00-00	.SCREW	4	
18	701-48268-00-00	.SPACER	1	
19	701-48213-00-00	.BACK PLATE 2	1	
20	92780-06025-00	.SCREW, FLAT HEAD	2	
21	701-48255-00-00	.COLLAR	1	
22	97390-06018-00	.BOLT	2	
23	702-48288-00-00	.WASHER, PLAIN	1	
24	701-48246-00-00	.SPACER	2	
25	92990-06300-00	.WASHER, INTERNAL TOOTH	1	
26	701-48229-00-00	.GRIP, CONTROL LEVER	1	
27	701-48222-00-00	.GRIP, CONTROL LEVER	1	
28	701-48282-00-00	.SCREW	2	
29	701-48266-00-00	.SPACER	1	
30	701-48232-00-00	.GEAR	1	
31	701-48189-11-00	.RETAINER	1	
32	98580-05010-00	.SCREW, PAN HEAD	2	
33	701-48153-12-00	.SHAFT, FREE ACCEL	1	
34	701-48271-00-00	.ARM, SHIFT	1	
35	93430-06024-00	.CIRCLIP	3	
36	703-48345-01-00	.CABLE END, REMOTE CONTROL 2	2	
37	701-48261-00-00	.ARM, THROTTLE	1	
38	701-48358-00-00	.ANCHOR, CABLE	1	
39	701-48138-50-00	.CAP, LOCK ARM	1	
40	701-48126-00-00	.GRAPHIC	1	
41	701-48133-00-00	.PLATE, LINK	1	
42	98580-05020-00	.SCREW, PAN HEAD	2	
43	701-48287-00-00	.WASHER	3	
44	95380-06600-00	.NUT, HEXAGON	3	
45	701-48280-00-00	.NEUTRAL LOCK KIT	1	



63V0100-9230

Part List

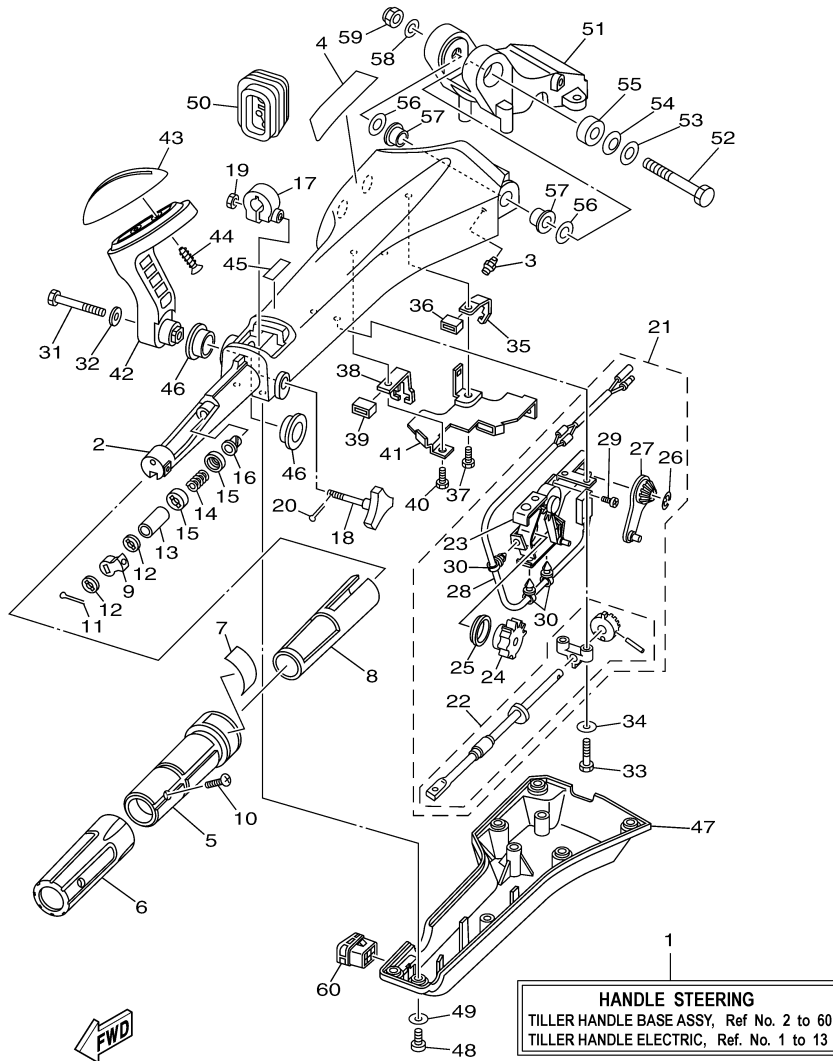
RIGGING 2006 0405 / CONTROL 701 MANUAL PUSH

REF - NO	PART NUMBER	PART NAME	QUANTITY	REMARKS
1	701-48130-02-00	REMOTE CONTROL ASSY (MANUAL)	1	
2	701-48235-00-00	.BUSHING	1	
3	701-48197-10-00	.WASHER, WAVE	1	
4	701-48252-00-00	.ROLLER, CAM	1	
5	701-48234-00-00	.BUSHING 1	1	
6	701-48221-00-00	.LEVER, CONTROL	1	
7	701-48196-11-00	.WASHER, WAVE	1	
8	701-48236-00-00	.ROLLER, DETENT	1	
9	702-48237-00-00	.ADAPTOR	1	
10	702-48238-00-00	.SPRING, DETENT	1	
11	701-48249-00-00	.ADAPTOR, SPRING	1	
12	701-48248-00-00	.ROLLER, FREE ACCEL	1	
13	701-48152-11-00	.KNOB, FREE ACCEL	1	
14	701-48243-00-00	.BUSHING	1	
15	701-48198-10-00	.WASHER, WAVE	1	
16	701-48281-10-00	.SCREW	3	
17	701-48289-00-00	.SCREW	4	
18	701-48268-00-00	.SPACER	1	
19	701-48213-00-00	.BACK PLATE 2	1	
20	92780-06025-00	.SCREW, FLAT HEAD	2	
21	701-48255-00-00	.COLLAR	1	
22	97390-06018-00	.BOLT	2	
23	702-48288-00-00	.WASHER, PLAIN	1	
24	701-48246-00-00	.SPACER	2	
25	92990-06300-00	.WASHER, INTERNAL TOOTH	1	
26	701-48229-00-00	.GRIP, CONTROL LEVER	1	
27	701-48222-00-00	.GRIP, CONTROL LEVER	1	
28	701-48282-00-00	.SCREW	2	
29	701-48266-00-00	.SPACER	1	
30	701-48232-00-00	.GEAR	1	
31	701-48189-11-00	.RETAINER	1	
32	98580-05010-00	.SCREW, PAN HEAD	2	
33	701-48153-12-00	.SHAFT, FREE ACCEL	1	
34	701-48271-00-00	.ARM, SHIFT	1	
35	93430-06024-00	.CIRCLIP	3	
36	703-48345-01-00	.CABLE END, REMOTE CONTROL 2	2	
37	701-48261-00-00	.ARM, THROTTLE	1	
38	701-48358-00-00	.ANCHOR, CABLE	1	
39	701-48138-50-00	.CAP, LOCK ARM	1	
40	701-48133-00-00	.PLATE, LINK	1	
41	98580-05020-00	.SCREW, PAN HEAD	2	
42	701-48287-00-00	.WASHER	3	
43	95380-06600-00	.NUT, HEXAGON	3	
44	701-82594-00-00	.CLAMP	3	
45	701-48287-00-00	.WASHER	3	
46	95380-06600-00	.NUT, HEXAGON	3	
47	701-48280-00-00	.NEUTRAL LOCK KIT	1	

Application Model

			PART NO. / PART NAME								
MODEL CODE	MODEL NAME	SERIAL NO.	6X4-42101-00 HANDLE, STEERING	6X4-42102-00 FITTING KIT	6X4-42102-10 FITTING KIT	6X4-42102-20 FITTING KIT	6X4-42102-30 FITTING KIT	6X4-42102-40 FITTING KIT	6X4-42102-50 FITTING KIT	6X4-42102-60 FITTING KIT	6X4-42103-00 TILLER HANDLE KIT
65W5	F25	65W:1025569-									*
69H6	F30	69H:1004324-	*				*				
67C5	F40	67C:1019598-	*				*				
6C12	F50	6C1:1006292-	*			*					
6C52	F60	6C5:1007597-	*			*					
6C22	T50	6C2:1001851-	*			*					
6C62	T60	6C6:1002114-	*			*					
6D62	F75	62P:1005583-	*		*						
6D82	F90	61P:1013277-	*		*						
68V5	F115	68V:1047289-	*	*							
63DE	40	6H4K:1009434-	*							*	
62XA	50	6H5K:1007157-	*							*	
6H2F	60	6H2K:1005405-	*						*		
6H35	70	6H3K:1004851-	*						*		
6H18	90	6H1:1022036-	*					*			

6X4 TILLER HANDLE KIT (50-90 & F40-F115)



6011100-G590

Part List


RIGGING 2006 0405 / TILLER HANDLE BASE ASSEMBLY

REF - NO	PART NUMBER	PART NAME	QUANTITY	REMARKS
1	6X4-42101-00-00	HANDLE, STEERING	1	LM
2	6X4-42111-01-4D	HANDLE, STEERING	1	
3	93700-06M03-00	NIPPLE, GREASE	1	
4	6X4-48215-00-00	GRAPHIC	1	
5	6X4-42119-00-00	GRIP, STEERING HANDLE	1	
6	6X4-42177-00-00	RUBBER, HANDLE	1	
7	6X4-42137-00-00	INDICATOR, THROTTLE	1	
8	6X4-41291-00-00	BUSHING	1	
9	6X4-44139-00-00	COLLAR	1	
10	90142-05001-00	SCREW, COUNTERSUNK	1	
11	91490-20010-00	PIN. COTTER	1	
12	6X4-44177-00-00	WASHER	2	
13	6X4-42128-00-00	COLLAR, DISTANCE 1	1	
14	90501-23215-00	SPRING, COMPRESSION	1	
15	6X4-44188-00-00	WASHER	2	
16	90386-08032-00	BUSH	1	
17	63D-42126-00-00	FRICITION, STEERING HANDLE GRIP	1	
18	6X4-48154-00-00	KNOB, THROTTLE	1	
19	95380-06600-00	NUT, HEXAGON	1	
20	901490-20010-00	PIN, COTTER	1	
21	6X4-44100-00-00	SHIFT LINK ASSY	1	
22	6X4-42115-00-00	.SHAFT, STEERING HANDLE	1	
23	6X4-44102-00-00	.SHIFT ASSIST ASSY	1	
24	6X4-47731-00-00	..GEAR, DRIVE	1	
25	6X4-44132-00-00	..BUSHING	1	
26	6X4-14137-00-00	..CLIP	1	
27	6X4-48261-00-00	..ARM, THROTTLE	1	
28	6X4-82540-00-00	..NEUTRAL SWITCH ASSY	1	
29	6A5-48129-10-00	..SCREW 3	2	
30	6X4-42821-00-00	..BAND, CLAMP	3	
31	97095-08040-00	BOLT	1	
32	92995-08600-00	WASHER	1	
33	97095-06030-00	BOLT	2	
34	92995-06600-00	WASHER	1	
35	6X4-48538-00-00	CLAMP, CABLE 1	1	
36	6X4-26367-00-00	PROTECTOR	1	
37	97095-06014-00	BOLT	1	
38	6X4-48538-10-00	CLAMP, CABLE 1	1	
39	6X4-26367-00-00	PROTECTOR	1	
40	97095-06014-00	BOLT	1	
41	6X4-42159-00-00	STAY	1	
42	6X4-44159-00-4D	HANDLE, GEAR SHIFT	1	
43	6X4-44173-00-00	LEVER, SHIFT CONTROL	1	
44	97780-60920-00	SCREW, TAPPING	1	
45	6GB-44191-00-00	INDICATOR, SHIFT	1	
46	90386-26MA3-00	BUSH	2	
47	6X4-42131-00-00	COVER, HANDLE STEERING	1	
48	97885-06016-00	SCREW, PAN HEAD	6	
49	92995-06600-00	WASHER	6	
50	6X4-42725-00-00	GROMMET	1	
51	63D-42121-22-4D	BRACKET	1	
52	90101-12014-00	BOLT	1	

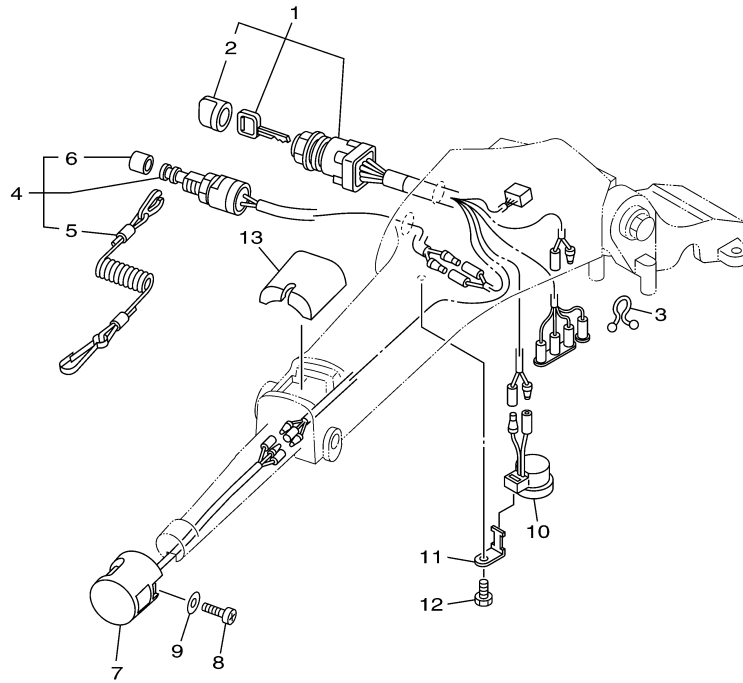
53	92990-12200-00	WASHER, PLAIN	1	
54	90206-12M22-00	WASHER, WAVE	1	
55	90387-12M02-00	COLLAR	1	
56	90201-12035-00	WASHER, PLATE	1	
57	90386-12003-00	BUSH	2	
58	92990-12600-00	WASHER, PLATE	1	
59	90185-12M12-00	NUT, SELF-LOCKING	1	
60	6X4-42728-10-00	CAP	1	

Part Notes

RIGGING 2006 0405 / TILLER HANDLE BASE ASSEMBLY

PART NUMBER		NOTE TEXT
93700-06M03-00		OEM: This part number is among the Top 100 Most Popular Marine Maintenance Parts as of February 2013.

6X4 TILLER HANDLE KIT (50-90 & F40-F115)



6011100-G600



Part List

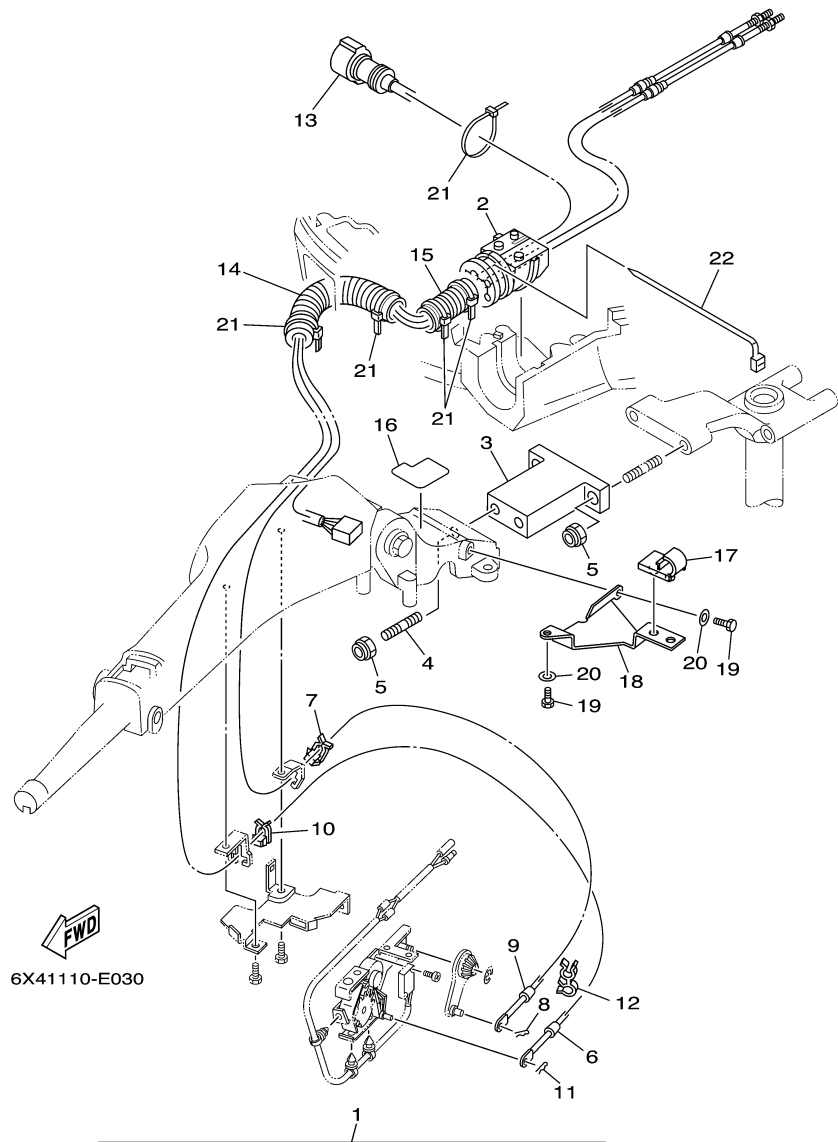
RIGGING 2006 0405 / TILLER HANDLE ELECTRICAL

REF - NO	PART NUMBER	PART NAME	QUANTITY	REMARKS
1	6X4-82510-00-00	MAIN SWITCH ASSY	1	
2	676-82577-00-00	.CAP, KEY	1	
3	90464-08M07-00	CLAMP	1	
4	69W-82575-00-00	ENGINE STOP SWITCH ASSY	1	
5	682-82556-00-00	.LANYARD, STOP SWITCH	1	
6	689-8257Y-00-00	.CAP	1	
7	6X4-82563-00-00	TRIM & TILT SWITCH ASSY	1	
8	97880-06016-00	SCREW, PAN HEAD	1	
9	92990-06600-00	WASHER, PLATE	1	
10	6X4-83383-00-00	BUZZER	1	
11	6X4-83386-00-00	STAY, BUZZER	1	
12	97095-06014-00	BOLT	1	
13	6X4-81942-00-00	COVER	1	

Part Notes

RIGGING 2006 0405 / TILLER HANDLE ELECTRICAL

PART NUMBER		NOTE TEXT
682-82556-00-00		OEM: This part number is among the Top 100 Most Popular Marine Maintenance Parts as of February 2013.
92990-06600-00		OEM: This part number is among the Top 100 Most Popular Marine Maintenance Parts as of February 2013.

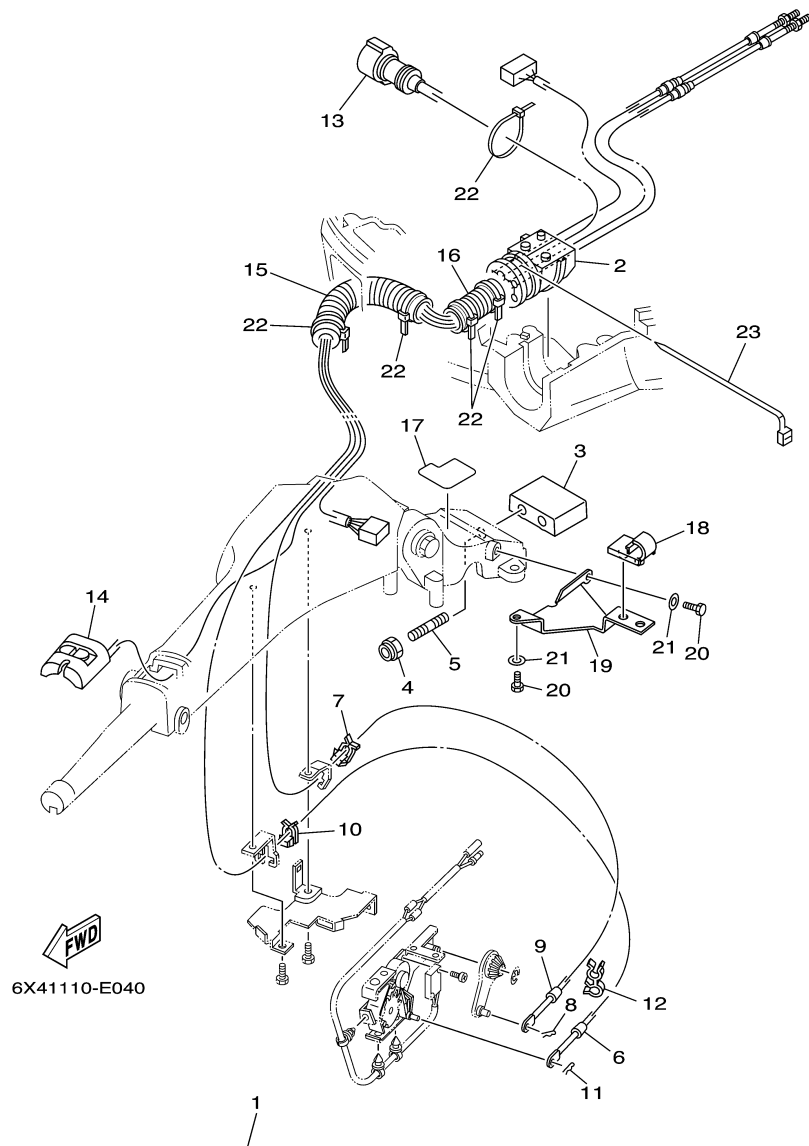


FITTING KIT
TILLER HANDLE FITTING KIT F115, Ref. No. 2 to 22
TILLER HANDLE STEERING FRICTION F75 F90 F115, Ref. No. 1 to 17

Part List

RIGGING 2006 0405 / TILLER HANDLE FITTING KIT F115

REF - NO	PART NUMBER	PART NAME	QUANTITY	REMARKS
1	6X4-42102-00-00	FITTING KIT	1	
2	68V-42725-10-00	GROMMET	1	
3	6X4-42121-10-4D	BRACKET	1	
4	90116-10175-00	BOLT, STUD	2	
5	90185-10051-00	NUT, SELF-LOCKING	4	
6	67G-48321-20-00	CABLE	1	
7	63D-48538-00-00	CLAMP, CABLE 1	1	
8	90468-10005-00	CLIP	1	
9	67G-26301-10-00	THROTTLE CABLE ASSY	1	
10	63D-48538-00-00	CLAMP, CABLE 1	1	
11	90468-10005-00	CLIP	1	
12	90464-09M42-00	CLAMP	1	
13	6X4-82586-20-00	EXT., WIRE HARNESS (L:1.25M)	1	
14	90447-22007-00	TUBE	1	
15	6G5-83557-00-00	TUBE	1	
16	6X4-42735-00-00	PROTECTOR	1	
17	63D-24367-00-00	CLAMP, FUEL PIPE 2	1	
18	6X4-24364-00-00	STAY	1	
19	97095-06016-00	BOLT	2	
20	92995-06600-00	WASHER	2	
21	90465-13M24-00	CLAMP	5	
22	90465-13M30-00	CLAMP	1	

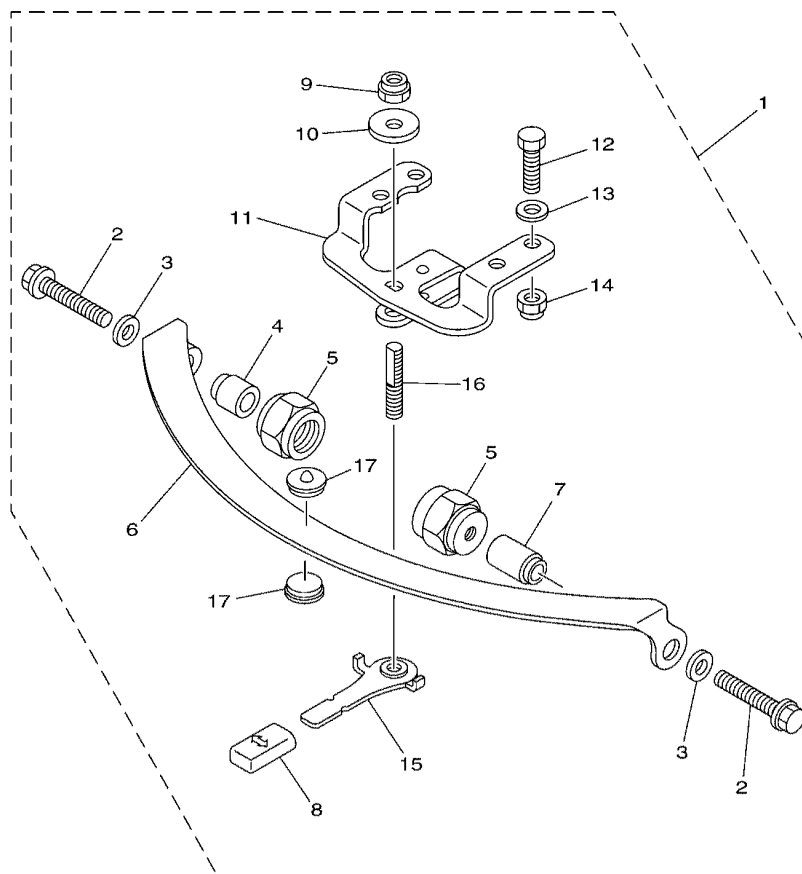


FITTING KIT
TILLER HANDLE FITTING KIT F75 F90, Ref. No. 2 to 23
TILLER HANDLE STEERING FRICTION F75 F90 F115, Ref. No. 1 to 17

Part List

RIGGING 2006 0405 / TILLER HANDLE FITTING KIT F75 F90

REF - NO	PART NUMBER	PART NAME	QUANTITY	REMARKS
1	6X4-42102-10-00	FITTING KIT	1	LM
2	68V-42725-00-00	GROMMET	1	
3	6X4-42121-00-4D	BRACKET	1	
4	90185-10051-00	NUT, SELF-LOCKING	2	
5	90116-10031-00	BOLT, STUD	2	
6	67G-48321-20-00	CABLE	1	
7	63D-48538-00-00	CLAMP, CABLE 1	1	
8	90468-10005-00	CLIP	1	
9	67G-26301-10-00	THROTTLE CABLE ASSY	1	
10	63D-48538-00-00	CLAMP, CABLE 1	1	
11	90468-10005-00	CLIP	1	
12	90464-09M42-00	CLAMP	1	
13	6X4-82586-20-00	EXT., WIRE HARNESS (L:1.25M)	1	
14	6X4-81860-00-00	SWITCH ASSY	1	
15	90447-22007-00	TUBE	1	
16	6K3-83557-00-00	TUBE	1	
17	6X4-42735-00-00	PROTECTOR	1	
18	63D-24367-00-00	CLAMP, FUEL PIPE 2	1	
19	6X4-24364-00-00	STAY	1	
20	97095-06016-00	BOLT	1	
21	92995-06600-00	WASHER	2	
22	90465-14M24-00	CLAMP	5	
23	90465-13M30-00	CLAMP	1	

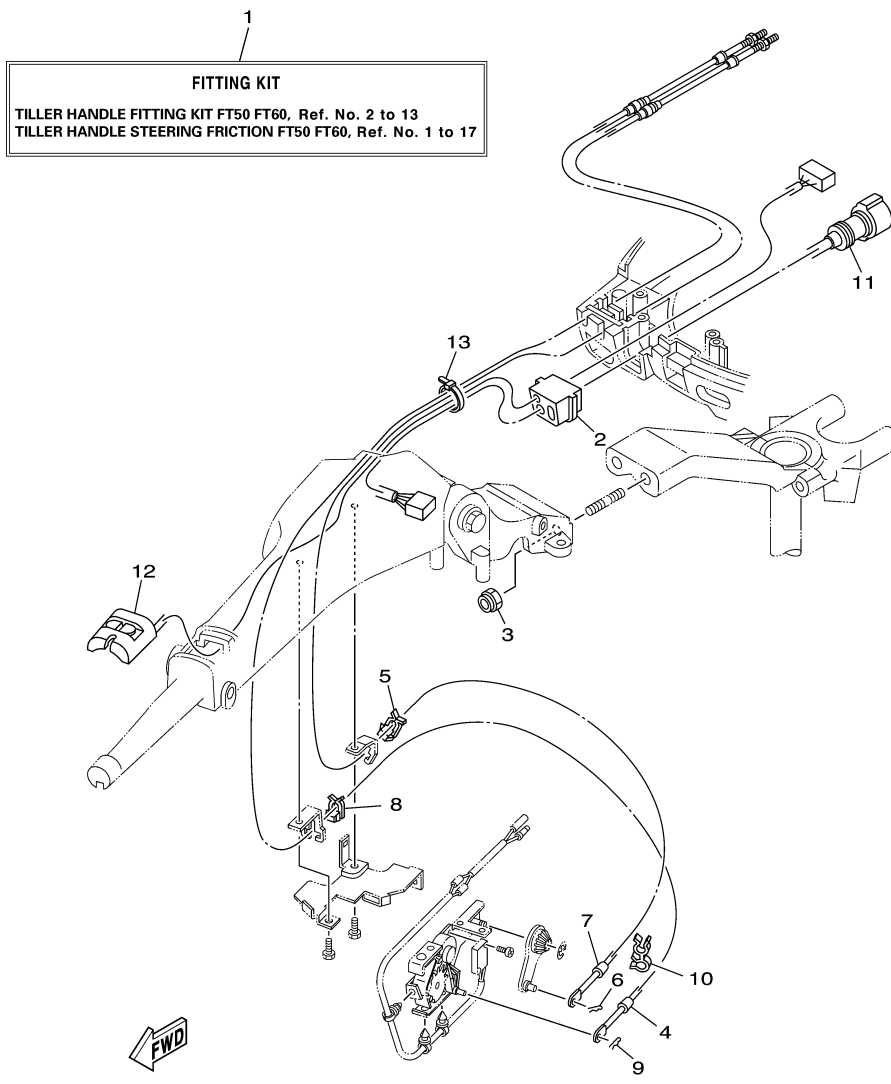


6X41110-E050

Part List

RIGGING 2006 0405 / TILLER HANDLE STEERING FRICTION F75 F90 F115

REF - NO	PART NUMBER	PART NAME	QUANTITY	REMARKS
1	67G-42508-00-00	STEERING FRICTION ASSY	1	
2	90119-08M74-00	.BOLT, WITH WASHER	1	
3	90201-08M01-00	.WASHER, PLATE	2	
4	67G-42541-00-00	.PIPE 1	1	
5	67G-42546-00-00	.NUT	2	
6	63D-42527-00-00	.PLATE, FRICTION	1	
7	67G-42541-10-00	.PIPE 1	1	
8	682-43318-01-00	.COVER	1	
9	90185-10M14-00	.NUT, SELF-LOCKING	1	
10	90201-10M76-00	.WASHER, PLATE	1	
11	6X4-42526-00-00	.PLATE, FRICTION	1	
12	97095-08025-00	.BOLT	2	
13	92995-086-00-00	.WASHER	2	
14	90185-08057-00	.NUT, SELF-LOCKING	2	
15	67G-42561-00-00	.KNOB, STEERING LOCK	1	
16	67G-42562-00-00	.SHAFT, STEERING LOCK	1	
17	63D-42528-00-00	.PLATE, FRICTION	2	

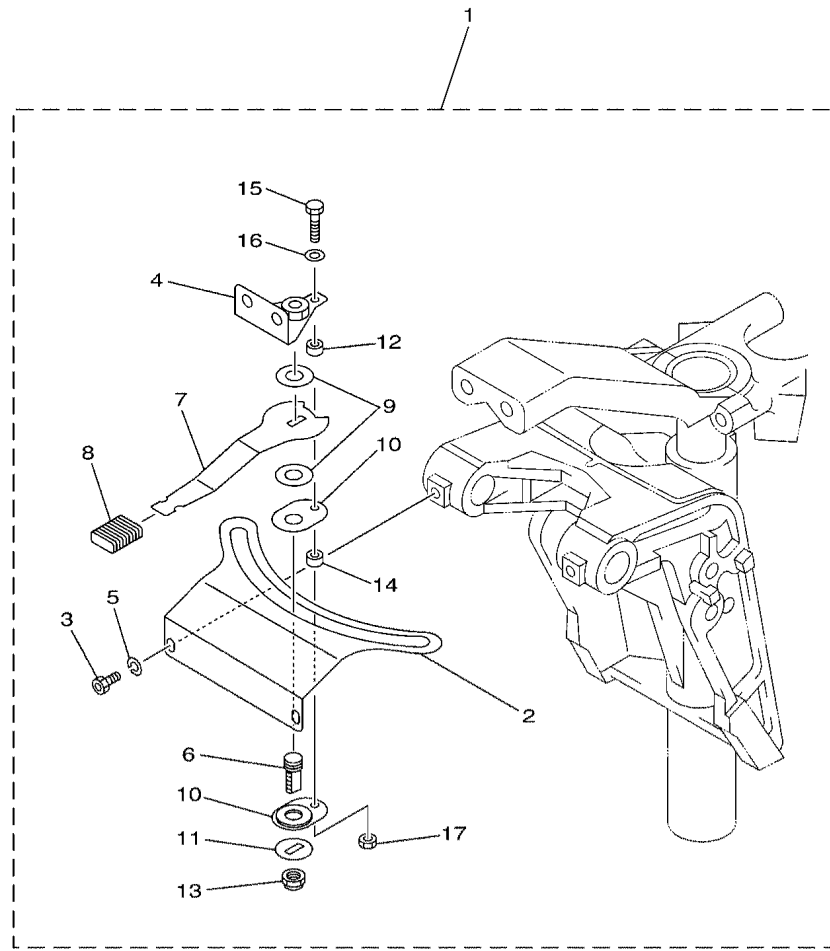


6X41110-E060

Part List

RIGGING 2006 0405 / TILLER HANDLE FITTING KIT FT50 FT60

REF - NO	PART NUMBER	PART NAME	QUANTITY	REMARKS
1	6X4-42102-20-00	FITTING KIT	1	
2	6C5-42725-30-00	GROMMET	1	
3	90185-10051-00	NUT, SELF-LOCKING	2	
4	67C-48321-10-00	CABLE	1	
5	63D-48538-00-00	CLAMP, CABLE 1	1	
6	90468-10005-00	CLIP	1	
7	69W-26301-00-00	THROTTLE CABLE ASSY	1	
8	63D-48538-00-00	CLAMP, CABLE 1	1	
9	90468-10005-00	CLIP	1	
10	90464-09M42-00	CLAMP	1	
11	6X4-82586-10-00	EXT., WIRE HARNESS (L:950MM)	1	
12	6X4-81860-00-00	SWITCH ASSY	1	
13	90465-13M36-00	CLAMP	1	

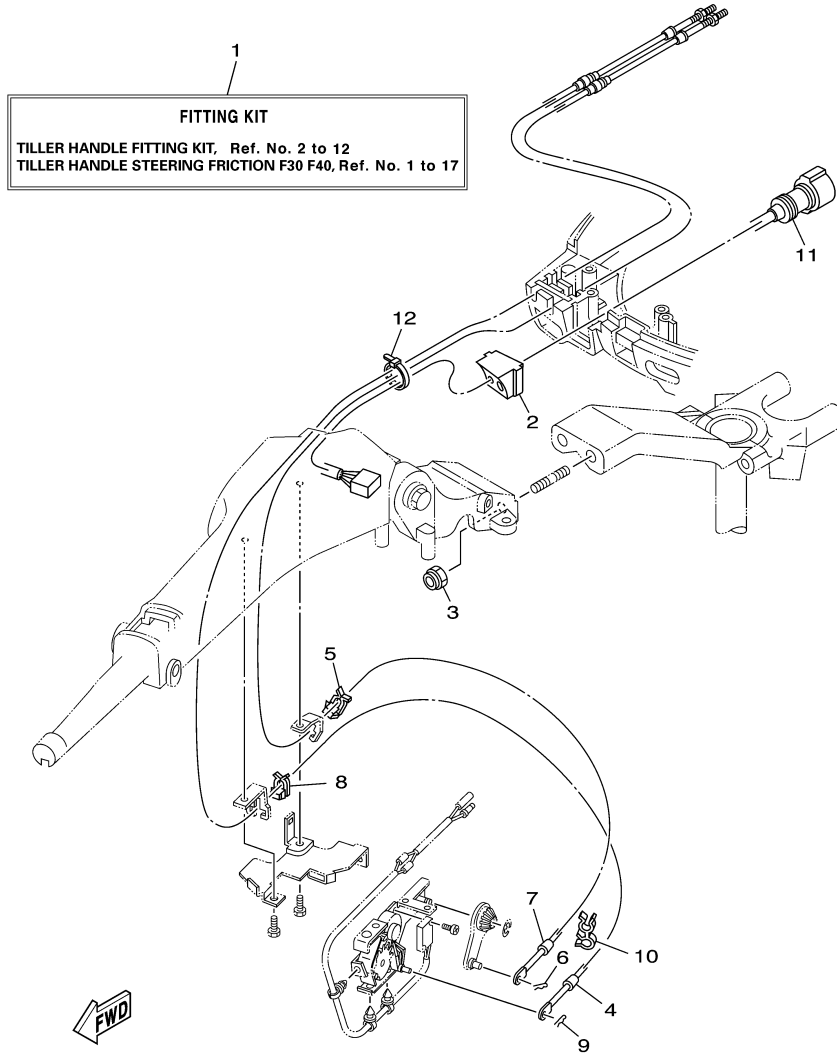


6C11010-D220

Part List

RIGGING 2006 0405 / TILLER HANDLE STEERING FRICTION FT50 FT60

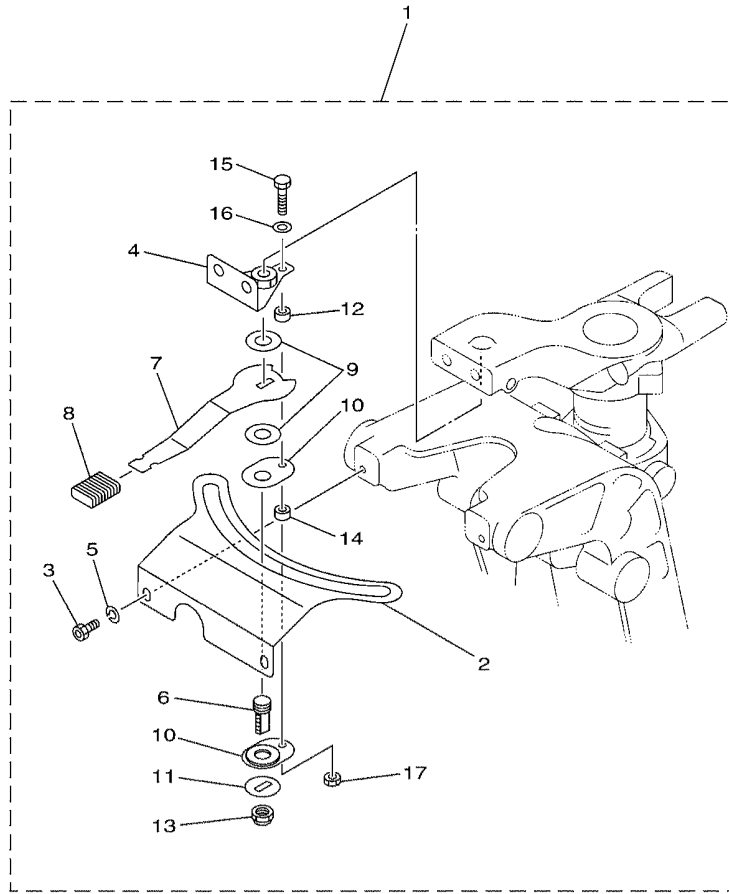
REF - NO	PART NUMBER	PART NAME	QUANTITY	REMARKS
1	6C5-42508-00-00	STEERING FRICTION ASSY	1	
2	6C5-42527-00-00	.PLATE, FRICTION	1	
3	90109-06M88-00	.BOLT	2	
4	67C-42525-00-00	.PLATE, FRICTION	1	
5	92990-06100-00	.WASHER, SPRING	2	
6	67C-42562-00-00	.SHAFT, STEERING LOCK	1	
7	67C-42561-00-00	.KNOB, STEERING LOCK	1	
8	689-43633-00-00	.COVER, TILT LEVER	1	
9	90202-10M56-00	.WASHER, PLATE	2	
10	65W-42528-00-00	.PLATE, FRICTION	2	
11	90209-10M26-00	.WASHER	1	
12	90387-05M05-000	.COLLAR	1	
13	90185-10M14-00	.NUT, SELF-LOCKING	1	
14	90387-05M11-00	.COLLAR	1	
15	97095-05020-00	.BOLT	1	
16	92995-05600-00	.WASHER	1	
17	95380-05600-00	.NUT	1	



Part List

RIGGING 2006 0405 / TILLER HANDLE FITTING KIT F30 F40

REF - NO	PART NUMBER	PART NAME	QUANTITY	REMARKS
1	6X4-42102-30-00	FITTING KIT	1	
2	62Y-42725-30-00	GROMMET	1	
3	90185-10051-00	NUT, SELF-LOCKING	2	
4	67C-48321-10-00	CABLE	1	
5	63D-47538-00-00	CLAMP, CABLE 1	1	
6	90468-10005-00	CLIP	1	
7	69W-26301-00-00	THROTTLE CABLE ASSY	1	
8	63D-48538-00-00	CLAMP, CABLE 1	1	
9	90468-10005-00	CLIP	1	
10	90464-09M42-00	CLAMP	1	
11	6X4-82586-00-00	EXT., WIRE HARNESS (L:700MM)	1	
12	90465-13M36-00	CLAMP	1	

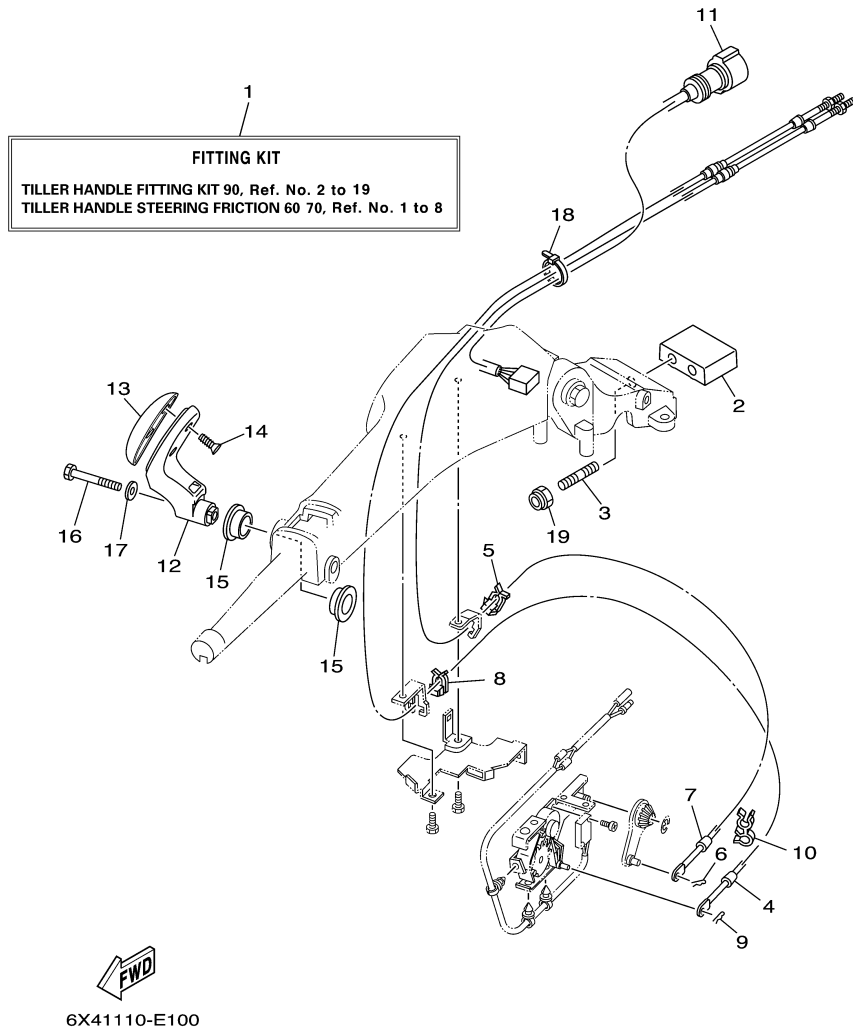


67C3100-C200

Part List

RIGGING 2006 0405 / TILLER HANDLE STEERING FRICTION F30 F40

REF - NO	PART NUMBER	PART NAME	QUANTITY	REMARKS
1	67C-42508-03-00	STEERING FRICTION ASSY	1	
2	67C-42527-03-00	.PLATE, FRICTION	1	
3	90109-06M88-00	.BOLT	2	
4	67C-42525-00-00	.PLATE, FRICTION	1	
5	92990-06100-00	.WASHER, SPRING	2	
6	67C-42562-00-00	.SHAFT, STEERING LOCK	1	
7	67C-42561-00-00	.KNOB, STEERING LOCK	1	
8	689-43633-00-00	.COVER, TILT LEVER	1	
9	90202-10M56-00	.WASHER, PLATE	2	
10	65W-42528-00-00	.PLATE, FRICTION	2	
11	90209-10M26-00	.WASHER	1	
12	90387-05M05-00	.COLLAR	1	
13	90185-10M14-00	.NUT, SELF-LOCKING	1	
14	90387-05M11-00	.COLLAR	1	
15	97095-05020-00	.BOLT	1	
16	92995-05600-00	.WASHER	1	
17	95380-05600-00	.NUT	1	

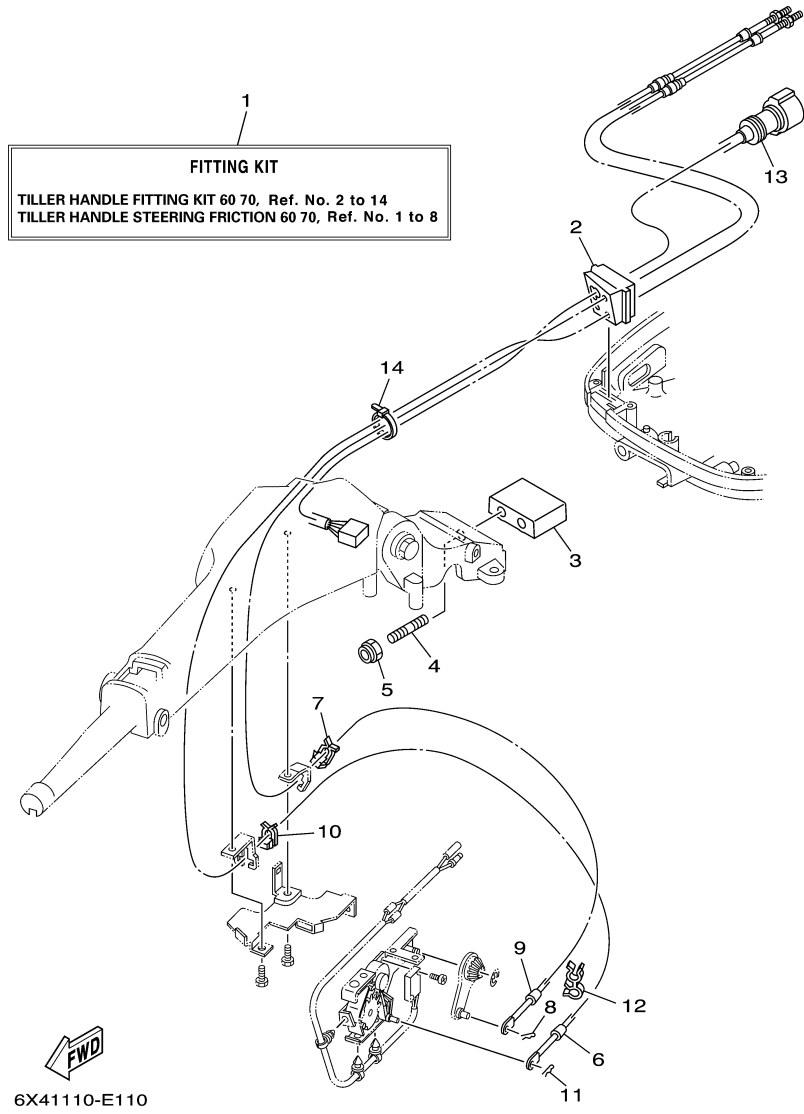


6X41110-E100

Part List

RIGGING 2006 0405 / TILLER HANDLE FITTING KIT 90

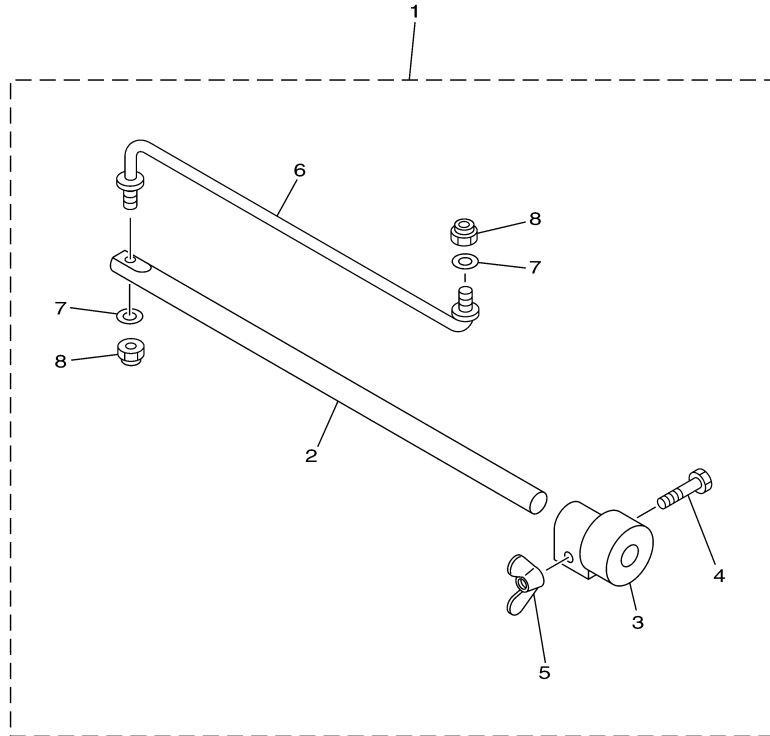
REF - NO	PART NUMBER	PART NAME	QUANTITY	REMARKS
1	6X4-42102-40-00	FITTING KIT	1	LM
2	6X4-42121-00-4D	BRACKET	1	
3	90116-10031-00	BOLT, STUD	2	
4	6H1-48321-10-00	CABLE	1	
5	63D-48538-00-00	CLAMP, CABLE 1	1	
6	90468-10005-00	CLIP	1	
7	6H1-26301-01-00	THROTTLE CABLE ASSY	1	
8	63D-48538-00-00	CLAMP, CABLE 1	1	
9	90468-10005-00	CLIP	1	
10	90464-09M42-00	CLAMP	1	
11	6X4-82586-30-00	EXTENSION, WIRE HARNESS	1	
12	6X4-44159-10-4D	HANDLE, GEAR SHIFT	1	
13	6X4-44173-00-00	LEVER, SHIFT CONTROL	1	
14	97780-60920-00	SCREW, TAPPING	2	
15	90386-26MA3-00	BUSH	1	
16	97095-08040-00	BOLT	1	
17	92995-08600-00	WASHER	1	
18	90465-13M36-00	CLAMP	1	
19	90185-10051-00	NUT, SELF-LOCKING	2	



Part List

RIGGING 2006 0405 / TILLER HANDLE FITTING KIT 60 70

REF - NO	PART NUMBER	PART NAME	QUANTITY	REMARKS
1	6X4-42102-51-00	FITTING KIT	1	
2	6H3-42725-30-00	GROMMET	1	
3	6X4-42121-00-4D	BRACKET	1	
4	90116-10031-00	BOLT, STUD	2	
5	90185-10051-00	NUT, SELF-LOCKING	2	
6	6H3-48321-10-00	CABLE	1	
7	63D-48538-00-00	CLAMP, CABLE 1	1	
8	90468-10005-00	CLIP	1	
9	6H3-26301-01-00	THROTTLE CABLE ASSY	1	
10	63D-48538-00-00	CLAMP, CABLE 1	1	
11	90468-10005-00	CLIP	1	
12	90464-09M42-00	CLAMP	1	
13	6X4-82586-30-00	EXTENSION, WIRE HARNESS	1	
14	90465-13M36-00	CLAMP	1	

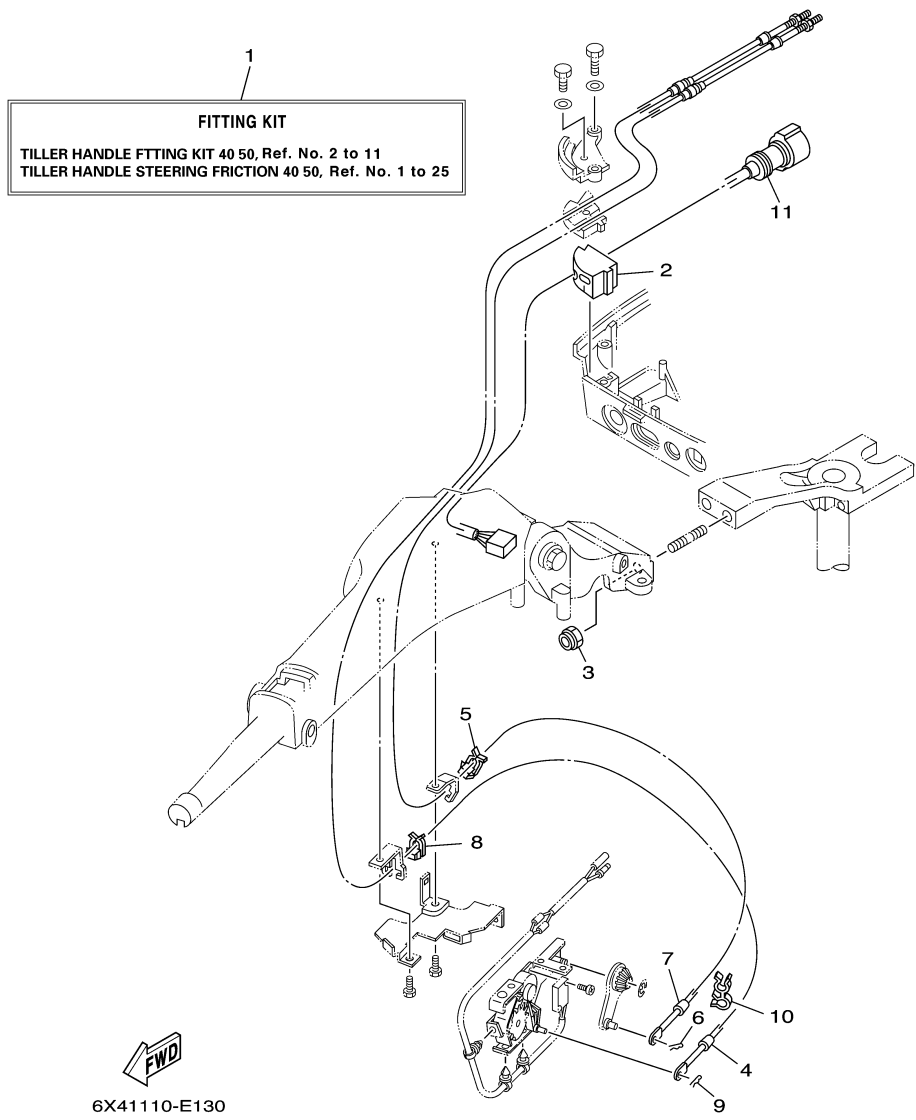


6X41110-E120

Part List

RIGGING 2006 0405 / TILLER HANDLE STEERING FRICTION 60 70

REF - NO	PART NUMBER	PART NAME	QUANTITY	REMARKS
1	692-42508-01-00	STEERING FRICTION ASSY	1	
2	663-42518-00-00	.SHAFT, FRICTION	1	
3	663-42528-00-00	.PLATE, FRICTION	1	
4	97080-06035-00	.BOLT	1	
5	90175-06003-00	.NUT, WING	1	
6	692-42515-01-00	.ROD, STEERING LINK	1	
7	92990-08600-00	.WASHER, PLATE	2	
8	90185-08057-00	.NUT, SELF-LOCKING	2	

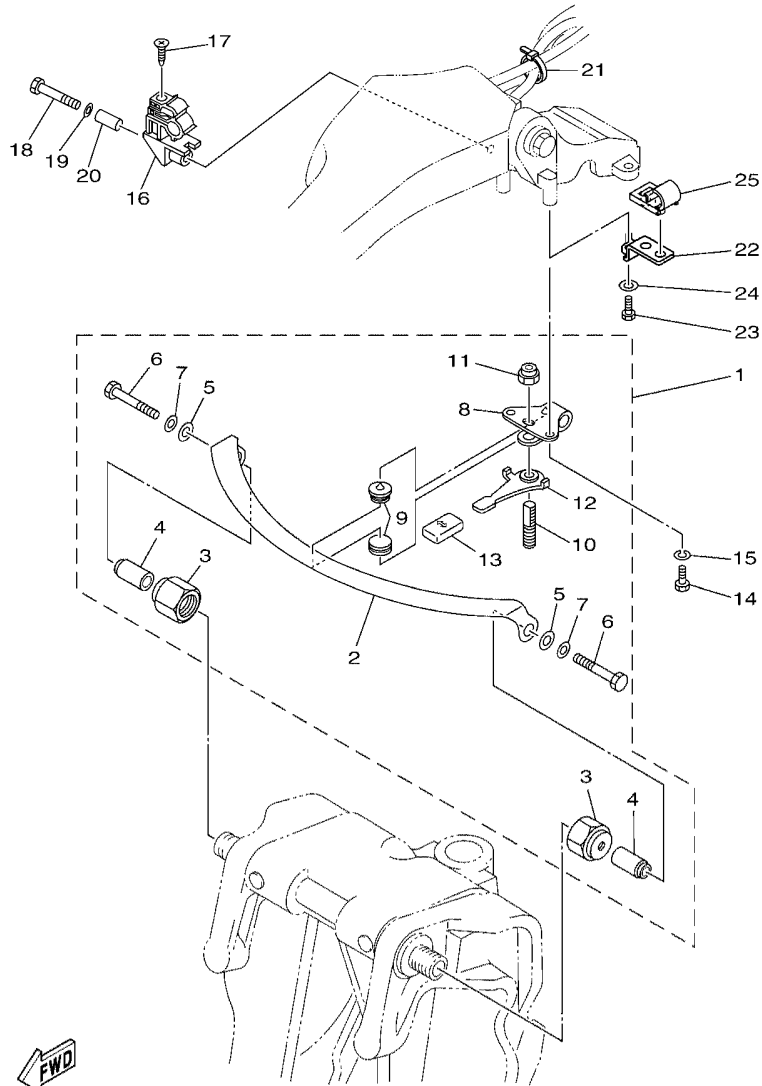



6X41110-E130

Part List

RIGGING 2006 0405 / TILLER HANDLE FITTING KIT 40 50

REF - NO	PART NUMBER	PART NAME	QUANTITY	REMARKS
1	6X4-42102-60-00	FITTING KIT	1	
2	6H4-42724-20-00	GROMMET	1	
3	90185-10051-00	NUT, SELF-LOCKING	2	
4	63D-48321-10-00	CABLE	1	
5	63D-48338-00-00	CLAMP, CABLE 1	1	
6	90468-10005-00	CLIP	1	
7	63D-26301-01-00	THROTTLE CABLE ASSY	1	
8	63D-48538-00-00	CLAMP, CABLE 1	1	
9	90468-10005-00	CLIP	1	
10	90464-09M42-00	CLAMP	1	
11	6X4-82586-00-00	EXT., WIRE HARNESS (L:700MM)	1	



62XA100-E180


Part List

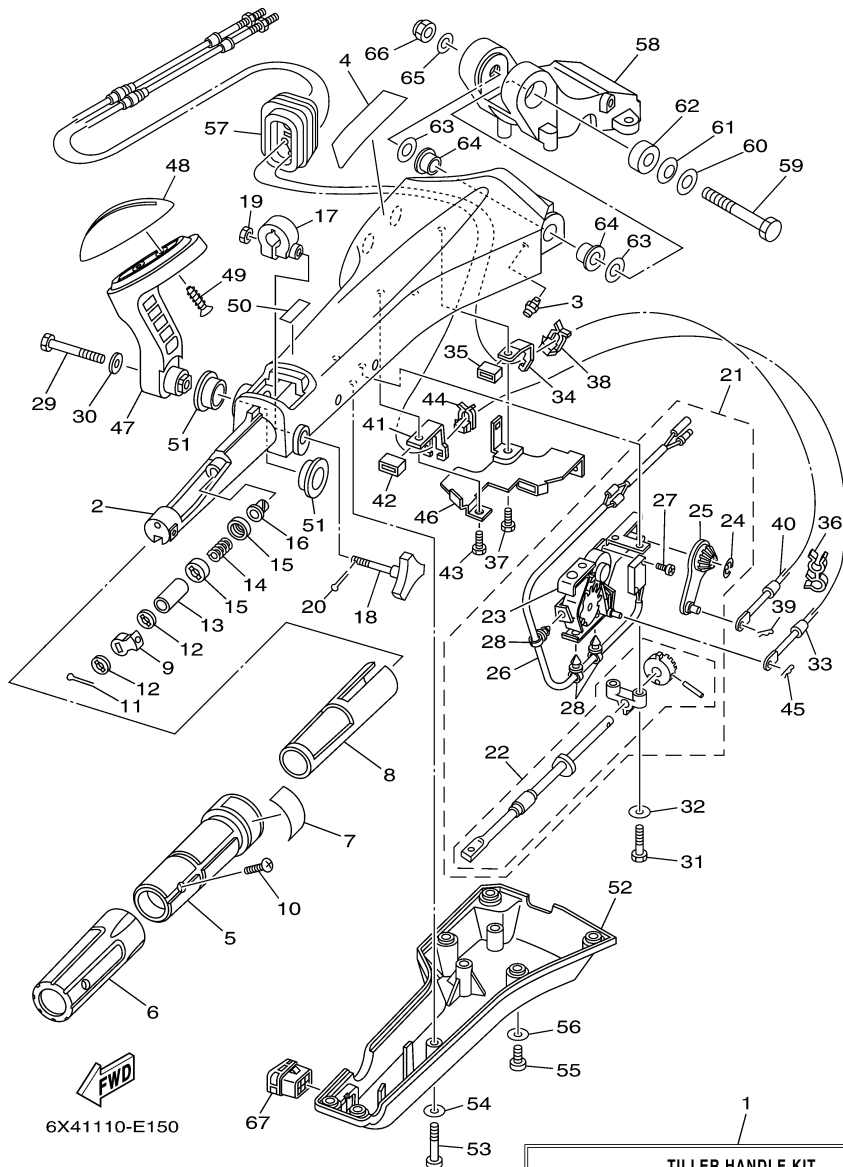
RIGGING 2006 0405 / TILLER HANDLE STEERING FRICTION 40 50

REF - NO	PART NUMBER	PART NAME	QUANTITY	REMARKS
1	63D-42508-00-00	STEERING FRICTION ASSY	1	
2	63D-42527-00-00	.PLATE, FRICTION	1	
3	63D-42546-00-00	.NUT	2	
4	63D-42541-00-00	.PIPE 1	2	
5	90201-08M01-00	.WASHER, PLATE	1	
6	97095-08050-00	.BOLT	2	
7	92990-08600-00	.WASHER, PLATE	2	
8	63D-42526-00-00	.PLATE, FRICTION	1	
9	63D-42528-00-00	.PLATE, FRICTION	2	
10	63D-42562-00-00	.SHAFT, STEERING LOCK	1	
11	90185-10M01-00	.NUT, SELF-LOCKING	1	
12	63D-42561-00-00	.KNOB, STEERING LOCK	1	
13	682-43318-01-00	.COVER	1	
14	97095-06016-00	BOLT	2	
15	92995-06100-00	WASHER, SPRING	1	
16	63D-82361-00-00	CLAMP, CORD	1	
17	90161-06M00-00	SCREW, TAPPING	1	
18	97095-06035-00	BOLT	1	
19	92995-06600-00	WASHER	1	
20	90387-06M26-00	COLLAR	1	
21	90465-13M36-00	CLAMP	1	
22	63D-24364-10-00	STAY	1	
23	97095-06016-00	BOLT	1	
24	92995-06600-00	WASHER	1	
25	63D-24367-00-00	CLAMP, FUEL PIPE 2	1	

Part Notes

RIGGING 2006 0405 / TILLER HANDLE STEERING FRICTION 40 50

PART NUMBER	NOTE TEXT
92995-06100-00 	OEM: This part number is among the Top 100 Most Popular Marine Maintenance Parts as of February 2013.



6X41110-E150

TILLER HANDLE KIT
 TILLER HANDLE F25 COMPLETE 1, Ref. No. 2 to 67
 TILLER HANDLE F25 COMPLETE 2, Ref. No. 1 to 26
 TILLER HANDLE F25 COMPLETE 3, Ref. No. 1 to 14

Part List


RIGGING 2006 0405 / TILLER HANDLE F25 COMPLETE 1

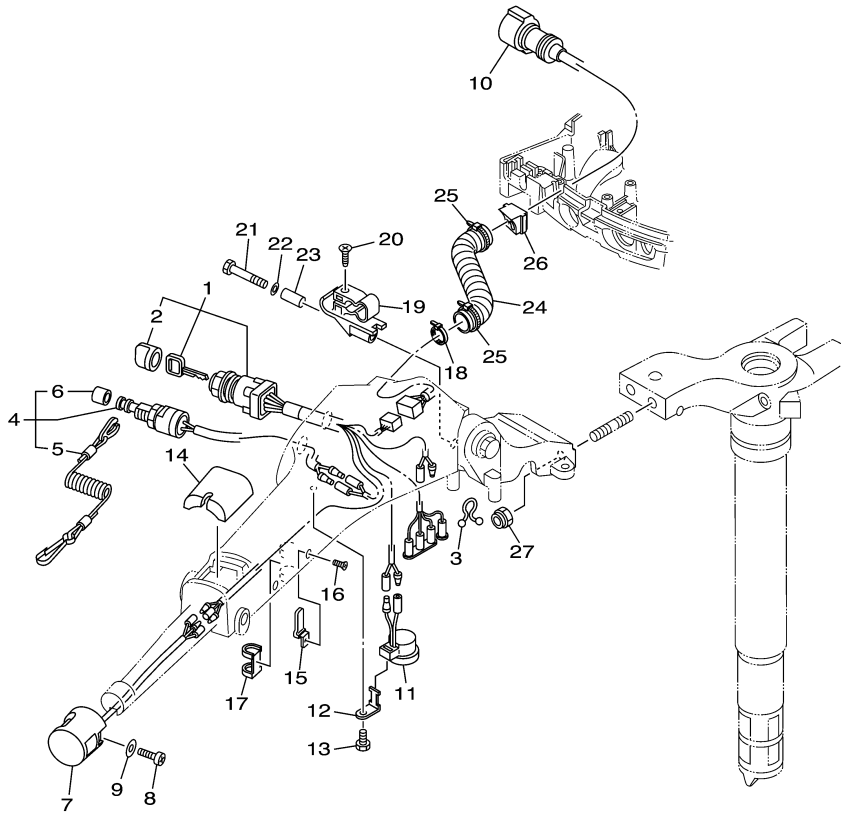
REF - NO	PART NUMBER	PART NAME	QUANTITY	REMARKS
1	6X4-42103-00-00	TILLER HANDLE KIT	1	LM
2	6X4-42111-00-4D	HANDLE, STEERING	1	
3	93700-06M03-00	NIPPLE, GREASE	1	
4	6X4-48215-00-00	GRAPHIC	1	
5	6X4-42119-00-00	GRIP, STEERING HANDLE	1	
6	6X4-42177-00-00	RUBBER, HANDLE	1	
7	6X4-42137-00-00	INDICATOR, THROTTLE	1	
8	6X4-41291-00-00	BUSHING	1	
9	6X4-44139-00-00	COLLAR	1	
10	90142-05001-00	SCREW, COUNTERSUNK	1	
11	91490-20010-00	PIN. COTTER	1	
12	6X4-44177-00-00	WASHER	1	
13	6X4-42128-00-00	COLLAR, DISTANCE 1	1	
14	90501-23215-00	SPRING, COMPRESSION	1	
15	6X4-44188-00-00	WASHER	1	
16	90386-08032-00	BUSH	1	
17	63D-42126-00-00	FRICITION, STEERING HANDLE GRIP	1	
18	6X4-48154-00-00	KNOB, THROTTLE	1	
19	95380-06600-00	NUT, HEXAGON	1	
20	91490-20010-00	PIN. COTTER	1	
21	6X4-44100-00-00	SHIFT LINK ASSY	1	
22	6X4-42115-00-00	.SHAFT, STEERING HANDLE	1	
23	6X4-44102-00-00	.SHIFT ASSIST ASSY	1	
24	6X4-14137-00-00	.CLIP	1	
25	69W-48261-00-00	.ARM, THROTTLE	1	
26	6X4-82540-00-00	.NEUTRAL SWITCH ASSY	1	
27	6A5-48129-10-00	.SCREW 3	2	
28	6X4-42821-00-00	.BAND, CLAMP	3	
29	97095-08040-00	BOLT	1	
30	92995-08600-00	WASHER	1	
31	97095-06030-00	BOLT	2	
32	92995-06600-00	WASHER	1	
33	6H1-48321-20-00	CABLE	1	
34	6X4-48538-00-00	CLAMP, CABLE 1	1	
35	6X4-26367-00-00	PROTECTOR	1	
36	90464-09M42-00	CLAMP	1	
37	97095-06014-00	BOLT	1	
38	63D-48538-00-00	CLAMP, CABLE 1	1	
39	90468-1005-00	CLIP	1	
40	6H3-48321-01-00	CABLE	1	
41	6X4-48538-10-00	CLAMP, CABLE 1	1	
42	6X4-26367-00-00	PROTECTOR	1	
43	97095-06014-00	BOLT	1	
44	63D-48538-00-00	CLAMP, CABLE 1	1	
45	90468-10005-00	CLIP	1	
46	6X4-42159-00-00	STAY	1	
47	6X4-44159-00-4D	HANDLE, GEAR SHIFT	1	
48	6X4-44173-00-00	LEVER, SHIFT CONTROL	1	
49	97780-60920-00	SCREW, TAPPING	2	
50	6G8-44191-00-00	INDICATOR, SHIFT	1	
51	90386-26MA3-00	BUSH	2	
52	6X4-42131-00-00	COVER, HANDLE STEERING	1	

53	97885-06040-00	SCREW, PAN HEAD	1
54	92995-06600-00	WASHER	1
55	97885-06016-00	SCREW, PAN HEAD	6
56	92995-06600-00	WASHER	6
57	6X4-42725-00-00	GROMMET	1
58	65W-42121-11-4D	BRACKET	1
59	90101-12014-00	BOLT	1
60	92990-12200-00	WASHER, PLAIN	1
61	90206-12M22-00	WASHER, WAVE	1
62	90387-12M02-00	COLLAR	1
63	90201-12035-00	WASHER, PLATE	2
64	90386-12003-00	BUSH	2
65	92990-12600-00	WASHER, PLATE	1
66	90185-12M12-00	NUT, SELF-LOCKING	1
67	6X4-41728-10-00	CAP	1

Part Notes

RIGGING 2006 0405 / TILLER HANDLE F25 COMPLETE 1

PART NUMBER		NOTE TEXT
93700-06M03-00		OEM: This part number is among the Top 100 Most Popular Marine Maintenance Parts as of February 2013.



6X41110-E160

Part List

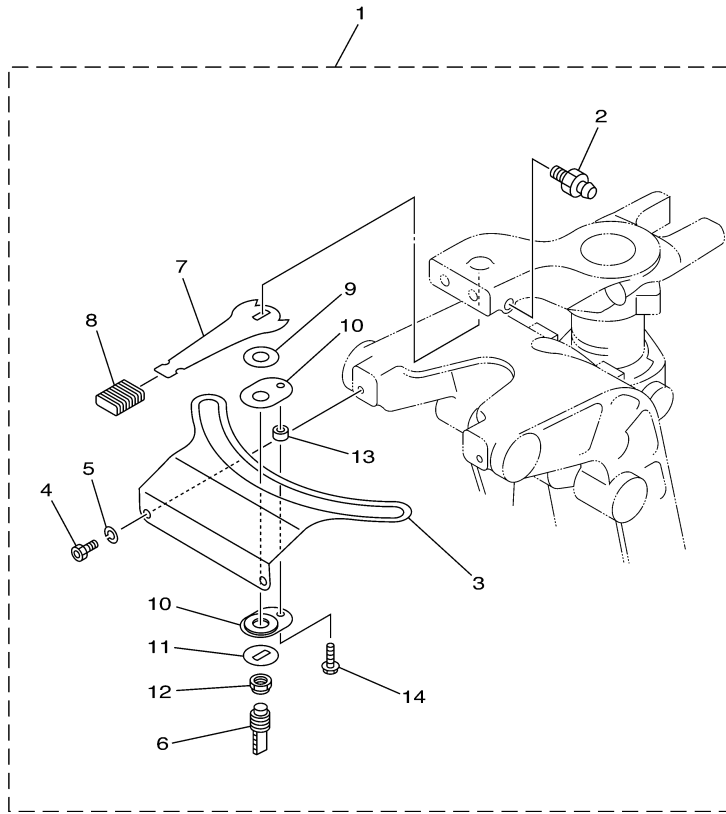
RIGGING 2006 0405 / TILLER HANDLE F25 COMPLETE 2

REF - NO	PART NUMBER	PART NAME	QUANTITY	REMARKS
1	6X4-82510-00	MAIN SWITCH ASSY	1	
2	676-82577-00-00	.CAP, KEY	1	
3	90464-08M07-00	CLAMP	1	
4	69W-82575-00	ENGINE STOP SWITCH ASSY	1	
5	682-82556-00-00	.LANYARD, STOP SWITCH	1	
6	689-8257Y-00-00	.CAP	1	
7	6X4-82563-00-00	TRIM & TILT SWITCH ASSY	1	
8	97880-06016-00	SCREW, PAN HEAD	1	
9	92990-06600-00	WASHER, PLATE	1	
10	6X4-82586-10-00	EXT., WIRE HARNESS (L:950MM)	1	
11	6X4-83383-00-00	BUZZER	1	
12	6X4-83386-00-00	STAY, BUZZER	1	
13	97095-06014-00	BOLT	1	
14	6X4-81942-00-00	COVER	1	
15	6X4-44554-00-00	PLATE	2	
16	90152-04015-00	SCREW, COUNTERSUNK	2	
17	6X4-42724-00-00	GROMMET	1	
18	90465-13M36-00	CLAMP	1	
19	62Y-82361-00-00	CLAMP, CORD	1	
20	90161-06M03-00	SCREW, TAPPING	1	
21	97095-06035-00	BOLT	1	
22	92995-06600-00	WASHER	1	
23	90387-06M26-00	COLLAR	1	
24	90447-22006-00	TUBE	1	
25	90465-13M24-00	CLAMP	1	
26	65W-42725-21-00	.GROMMET	1	
27	90185-10051-00	NUT, SELF-LOCKING	1	

Part Notes

RIGGING 2006 0405 / TILLER HANDLE F25 COMPLETE 2

PART NUMBER	NOTE TEXT
682-82556-00-00 	OEM: This part number is among the Top 100 Most Popular Marine Maintenance Parts as of February 2013.
92990-06600-00 	OEM: This part number is among the Top 100 Most Popular Marine Maintenance Parts as of February 2013.



65W1010-2180


Part List

RIGGING 2006 0405 / TILLER HANDLE F25 COMPLETE 3

REF - NO	PART NUMBER	PART NAME	QUANTITY	REMARKS
1	65W-42505-00-00	STEERING FRICTION ASSY	1	
2	93700-06M03-00	.NIPPLE, GREASE	1	
3	65W-42527-00-00	.PLATE, FRICTION	1	
4	90109-06M50-00	.BOLT	2	
5	92990-6100-00	.WASHER, SPRING	2	
6	65W-42562-00-00	.SHAFT, STEERING LOCK	1	
7	65W-42561-00-00	.KNOB, STEERING LOCK	1	
8	689-43633-00-00	.COVER, TILT LEVER	1	
9	90202-10M56-00	.WASHER, PLATE	1	
10	65W-42528-00-00	.PLATE, FRICTION	2	
11	90209-10M26-00	.WASHER	1	
12	90185-10M14-00	.NUT, SELF-LOCKING	1	
13	90387-05M11-00	.COLLAR	1	
14	97595-05516-00	.BOLT, WITH WASHER	1	

Part Notes

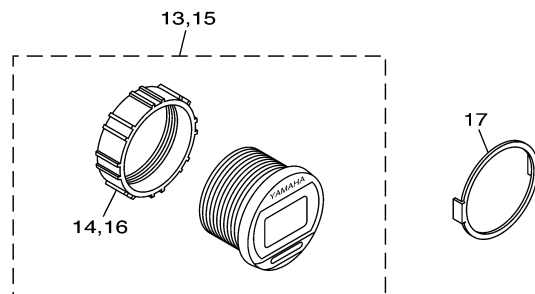
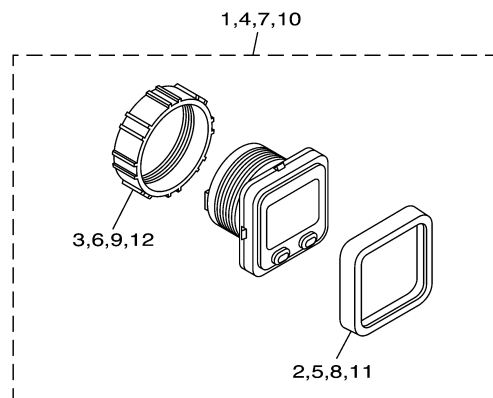
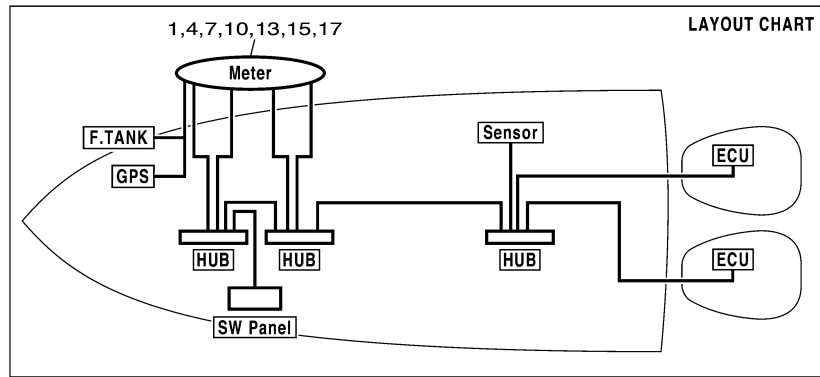
RIGGING 2006 0405 / TILLER HANDLE F25 COMPLETE 3

PART NUMBER	NOTE TEXT
93700-06M03-00 	OEM: This part number is among the Top 100 Most Popular Marine Maintenance Parts as of February 2013.

Application Model

V6 (HPDI Series)		
MODEL CODE	MODEL NAME	SERIAL NO.
68H5	Z150TR	6G4:1015800-
68J5	VZ150TR	6J9:1009041-
68K5	LZ150TR	6K0:1000991-
68L5	Z175TR	6G5:1000879-
68M5	VZ175TR	62H:1000921-
60F6	VZ200TR	60F:1001979-
68F5	Z200TR	6G6:1024730-
68G5	LZ200TR	6K1:1004010-
6P42	Z200TR	6P4:1000316-
6P52	VZ200TR	6P5:1000932-
60Y4	VZ225TR	60Y:1003330-
60V4	Z250TR	60V:1003974-
60W4	LZ250TR	60W:1001537-
60X4	VZ250TR	60X:1002505-
6C93	VZ300TR	6C9:1000648-
6D03	Z300TR	6D0:1003215-
6D13	LZ300TR	6D1:1001546-

4 Stroke Series		
MODEL CODE	MODEL NAME	SERIAL NO.
6C12	F50TR	6C1:1006292-
6C22	T50TR	6C2:1001851-
6C52	F60TR	6C5:1007597-
6C62	T60TR	6C6:1002114-
6D62	F75TR	62P:1005583-
6D82	F90TR	61P:1013277-
68V5	F115TR	68V:1047289-
68W5	LF115TR	68W:1002053-
63P3	F150TR	63P:1029405-
64P3	LF150TR	64P:1003507-
60L5	F200TR	60L:1005828-
60M5	LF200TR	60M:1000986-
69J5	F225TR	69J:1021983-
69K5	LF225TR	69K:1006907-
6P22	F250TR	6P2:1002895-
6P32	LF250TR	6P3:1000957-

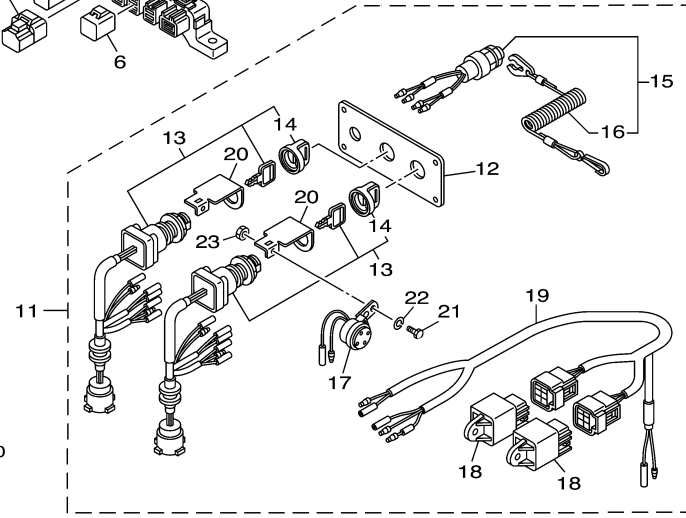
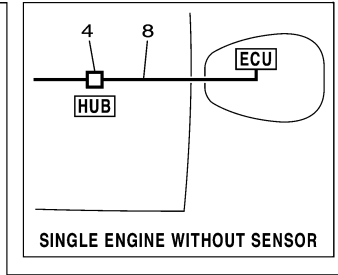
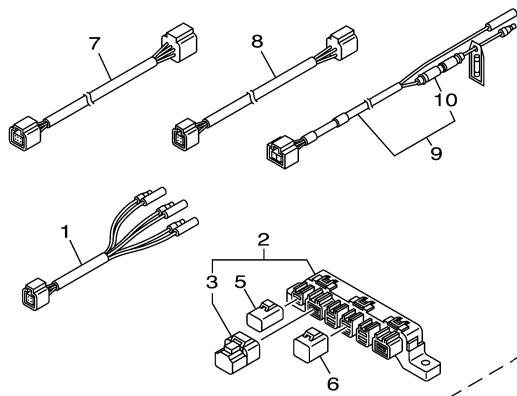
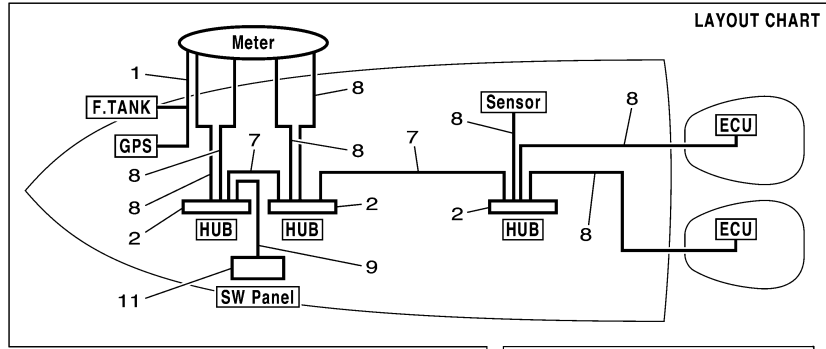


6Y82110-E010

Part List

RIGGING 2006 0405 / COMMAND LINK INSTRUMENTS

REF - NO	PART NUMBER	PART NAME	QUANTITY	REMARKS
1	6Y8-8350T-01-00	TACHOMETER, SQ	1	
2	6Y8-83363-00-00	.BEZEL, SQUARE	1	
3	6Y8-84383-00-00	.NUT, RING	1	
4	6Y8-8350S-01-00	SPEEDOMETER, SQ	1	
5	6Y8-83363-00-00	.BEZEL, SQUARE	1	
6	6Y8-84383-00-00	.NUT, RING	1	
7	6Y8-8350F-01-00	FL MGT METER, SQ	1	FUEL MANAGMENT
8	6Y8-83363-00-00	.BEZEL, SQUARE	1	
9	6Y8-84383-00-00	.NUT, RING	1	
10	6Y8-83500-01-00	S&FM METER, SQ	1	SPEED & FUEL MANAGMENT
11	6Y8-83363-00-00	.BEZEL, SQUARE	1	
12	6Y8-84383-00-00	.NUT, RING	1	
13	6Y8-8350T-11-00	TACHOMETER, RD	1	
14	6Y8-84383-00-00	.NUT, RING	1	
15	6Y8-83500-11-00	S&FM METER, RD	1	SPEED & FUEL MANAGMENT
16	6Y8-84383-00-00	.NUT, RING	1	
17	6Y8-83514-00-00	PLATE, FITTING	1	UN



6Y82110-E020


Part List

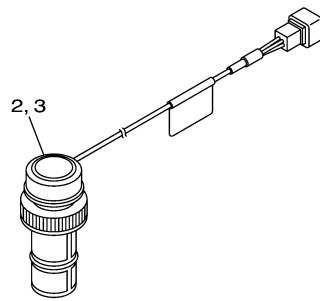
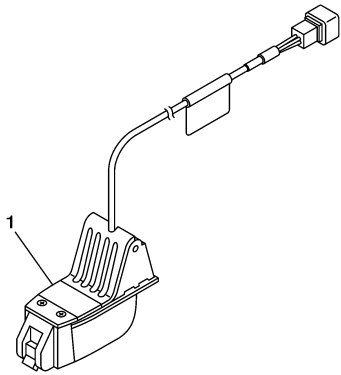
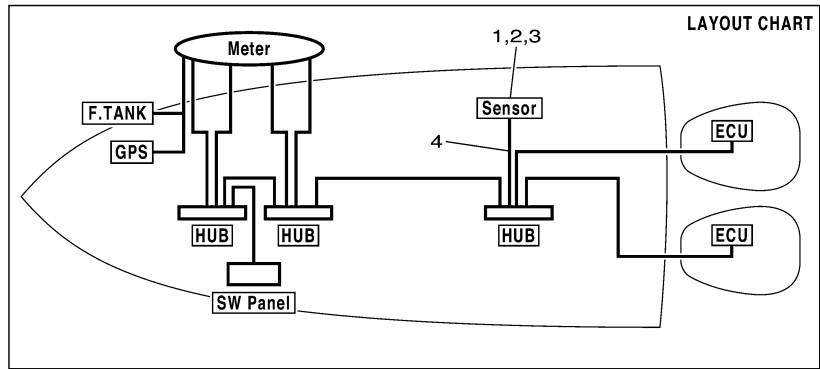
RIGGING 2006 0405 / COMMAND LINK ELECTRICAL 1

REF - NO	PART NUMBER	PART NAME	QUANTITY	REMARKS
1	6Y8-8356N-01-00	LEAD, FUEL TANK & GPS SENDER	1	
2	6Y8-81920-01-00	MULTI HUB ASSY	1	UN
3	6Y8-85371-01-00	.END OF LINE RESISTER	1	
4	6Y8-81920-11-00	IN-LINE HUB ASSY	1	
5	6Y8-82582-01-00	CAP 1 (2PIN)	1	UN
6	6Y8-82582-11-00	CAP 1 (4PIN)	1	UN
7	6Y8-82553-01-00	1FT MAIN BUS	1	UR
7	6Y8-82553-21-00	20FT MAIN BUS	1	UR
7	6Y8-82553-31-00	25FT MAIN BUS	1	UR
7	6Y8-82553-41-00	30FT MAIN BUS	1	UR
7	6Y8-82553-50-00	10FT MAIN BUS	1	UR
7	6Y8-82553-11-00	15FT MAIN BUS	1	UR
8	6Y8-82521-51-00	12FT PIGTAIL BUS	1	UR
8	6Y8-82521-41-00	9FT PIGTAIL BUS	1	UR
8	6Y8-82521-31-00	6FT PIGTAIL BUS	1	UR
8	6Y8-82521-21-00	3FT PIGTAIL BUS	1	UR
8	6Y8-82521-11-00	2FT PIGTAIL BUS	1	UR
8	6Y8-82521-01-00	1FT PIGTAIL BUS	1	UR
9	6Y8-83553-01-00	8FT POWER WIRE	1	
10	6G1-82151-00-00	.FUSE (10A)	1	
11	6Y8-82570-01-00	PANEL SW., TWIN	1	
12	6Y8-82571-01-00	.PLATE, PANEL SWITCH	1	
13	6Y8-82510-01-00	.MAIN SWITCH ASSY	2	
14	676-82577-00-00	..CAP, KEY	1	
15	6K1-82575-00-00	.ENGINE STOP SWITCH ASSY	1	
16	682-82556-00-00	..LANYARD, STOP SWITCH	1	
17	6R5-83383-00-00	.BUZZER	2	
18	68V-81950-00-00	.RELAY ASSY	2	
19	6Y8-82507-00-00	.LEAD, IGNITION SWITCH RELAY	1	
20	64D-82581-00-00	.STAY, CORD CLAMP	2	
21	97303-05012-00	.BOLT	2	
22	92903-05100-00	.WASHER, SPRING	2	
23	95303-05700-00	.NUT	2	

Part Notes

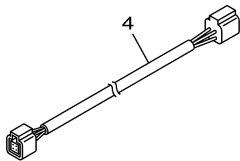
RIGGING 2006 0405 / COMMAND LINK ELECTRICAL 1

PART NUMBER	NOTE TEXT
682-82556-00-00 	OEM: This part number is among the Top 100 Most Popular Marine Maintenance Parts as of February 2013.



(TRIDUCER®)

6Y82110-E030



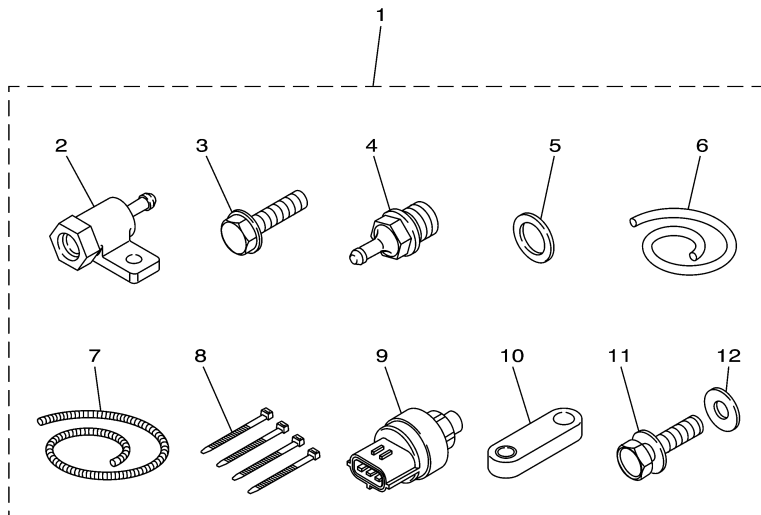
Part List

RIGGING 2006 0405 / COMMAND LINK ALTERNATE SENSORS 1

REF - NO	PART NUMBER	PART NAME	QUANTITY	REMARKS
1	6Y8-83688-01-00	TRANSOM MOUNT TRIDUCER	1	
2	6Y8-83688-11-00	PLASTIC THRU-HULL TRIDUCER	1	
3	6Y8-83688-20-00	BRONZE THRU-HULL TRIDUCER	1	
4	6Y8-82521-31-00	6FT PIGTAIL BUS	1	UR
4	6Y8-82521-41-00	9FT PIGTAIL BUS	1	UR
4	6Y8-82521-21-00	3FT PIGTAIL BUS	1	UR
4	6Y8-82521-51-00	12FT PIGTAIL BUS	1	UR
4	6Y8-82521-01-00	1FT PIGTAIL BUS	1	UR
4	6Y8-82521-11-00	2FT PIGTAIL BUS	1	UR

Cooling water pressure sensor

Models: F50, T50, F60, T60, F75, F90, (L)F115,
(L)Z150, VZ150, (V)Z175, (L)Z200,
VZ200, VZ225, (L)Z250, VZ250, (L)Z300, VZ300



6Y82110-E040

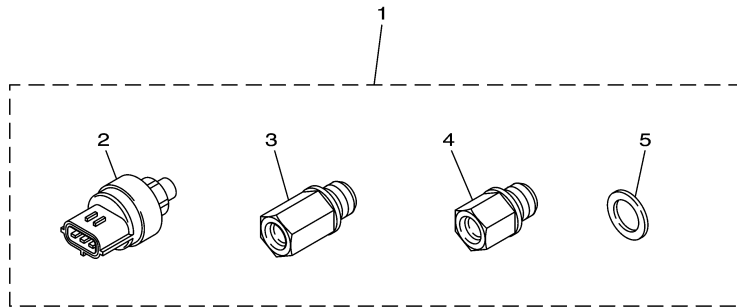
Part List

RIGGING 2006 0405 / COMMAND LINK ALTERNATE SENSORS 2

REF - NO	PART NUMBER	PART NAME	QUANTITY	REMARKS
1	60V-8A4L0-01-00	WATER PRESSURE SENSOR KIT	1	LM
2	60V-8366D-00-00	.ADAPTOR, INPUT	1	
3	95895-06025-00	.BOLT, FLANGE	1	EXCEPT F50/T50/F60/T60
4	60V-83667-00-00	.SENDER, WATER PRESSURE	1	
5	90430-14115-00	.GASKET	1	
6	90445-07018-00	.HOSE (L1400)	1	
7	90447-07015-00	.HOSE, COVER (L: 1300MM)	1	
8	90465-11M10-00	.CLAMP	4	
9	6Y5-8366B-00-00	.SENSOR, WATER PRESSURE	1	
10	60V-8257V-00-00	.PLATE, CONNECTOR	1	HPDI MODELS
11	97095-06016-00	.BOLT	1	F50/T50/F60/T60
12	92995-06600-00	.WASHER	1	F50/T50/F60/T60

Cooling water pressure sensor

Models: (L)F150, (L)F200, (L)F225, (L)F250



6Y82110-E050

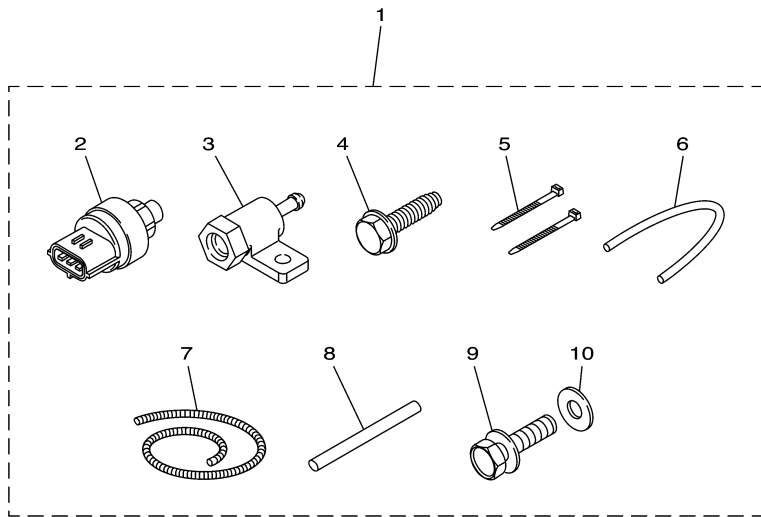
Part List

RIGGING 2006 0405 / COMMAND LINK ALTERNATE SENSORS 3

REF - NO	PART NUMBER	PART NAME	QUANTITY	REMARKS
1	69J-8A4L0-00-00	WATER PRESSURE SENSOR KIT	1	LM
2	6Y5-8366B-00-00	.SENSOR, WATER PRESSURE	1	
3	69J-8366C-00-00	.ADAPTOR, INPUT	1	FOR (L) F200/(L)F225
4	63P-8366C-00-00	.ADAPTOR, INPUT	1	FOR (L)F150/(L)F250
5	90430-14115-00	.GASKET	1	

Speed sensor

All models

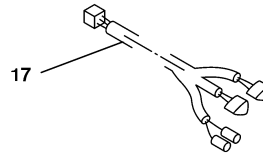
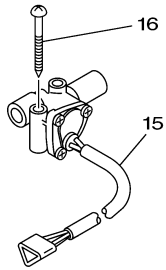
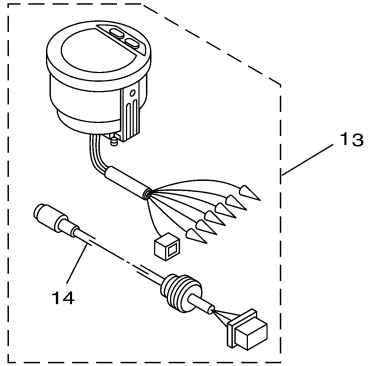
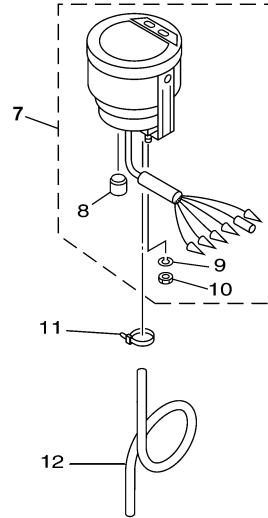
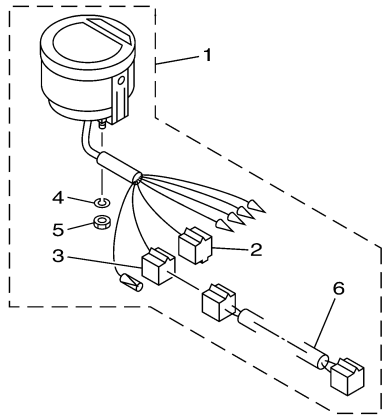


6Y82110-E060

Part List

RIGGING 2006 0405 / COMMAND LINK ALTERNATE SENSORS 4

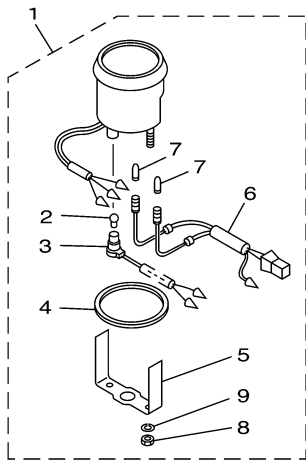
REF - NO	PART NUMBER	PART NAME	QUANTITY	REMARKS
1	60V-8A4L1-01-00	SPEED SENSOR KIT	1	LM
2	6Y5-8366B-00-00	.SENSOR, WATER PRESSURE	1	
3	60V-8366D-00-00	.ADAPTOR, INPUT	1	
4	90109-06M81-00	.BOLT	1	
5	90465-11M10-00	.CLAMP	2	
6	90445-07017-00	.HOSE (L: 550MM)	1	
7	90447-07013-00	.HOSE, COVER (L: 700MM)	1	
8	60V-42629-00-00	.SEAL	1	
9	97095-06016-00	.BOLT	1	
10	92995-06600-00	.WASHER	1	



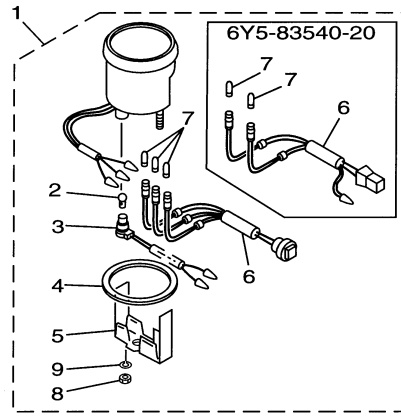
Part List

RIGGING 2006 0405 / INSTRUMENTS DIGITAL

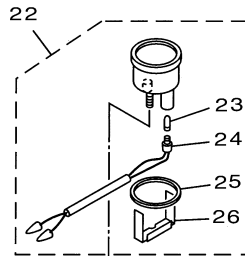
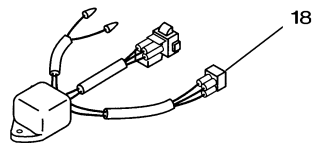
REF - NO	PART NUMBER	PART NAME	QUANTITY	REMARKS
1	6Y5-8350T-82-00	TACHOMETER ASSY	1	
2	9E450-04433-00	.CONNECTOR	1	M-4-W
3	9E450-04433-00	.CONNECTOR	1	F-4-W
4	92990-04100-00	.WASHER, SPRING	2	
5	95380-04600-00	.NUT	2	
6	6Y5-83553-80-00	.WIRE, LEAD	1	
7	6Y5-83570-S5-00	SPEEDOMETER ASSY	1	
8	6Y5-83533-72-00	.GROMMET	1	
9	92990-04100-00	.WASHER, SPRING	2	
10	95380-04600-00	.NUT	2	
11	90465-11M10-00	CLAMP	1	
12	6Y5-83557-10-00	TUBE (8M)	1	AP
13	6Y5-83500-F2-00	.FUEL MANAGEMENT METER	1	AP
14	6Y5-87122-S0-00	.CORD ASSY 1	1	OPTIONAL FOR GPS CONNECTION
15	6Y5-85752-01-00	SENDER UNIT ASSY, FUEL METER	2	AP
16	90158-06002-00	SCREW, WOOD	4	AP
17	6Y5-83553-F1-00	WIRE, LEAD (L=8.0M)	1	FOR FUEL SENDER



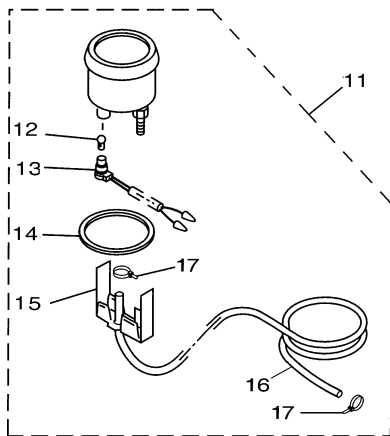
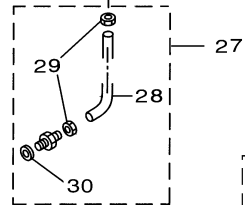
TACHOMETER



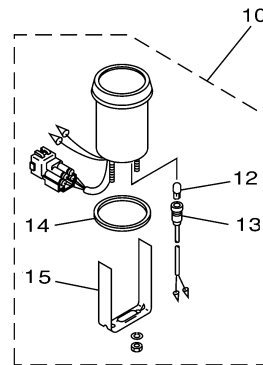
TACHOMETER



WATER PRESSURE



SPEEDOMETER



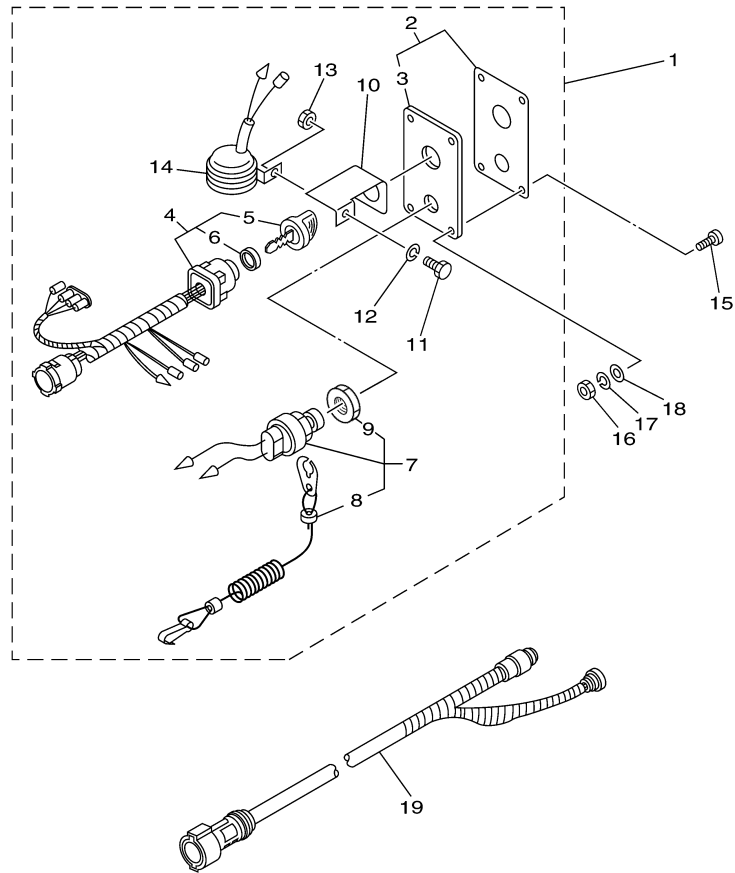
SPEEDOMETER

Part List

RIGGING 2006 0405 / INSTRUMENTS ANALOGUE

REF - NO	PART NUMBER	PART NAME	QUANTITY	REMARKS
1	6Y5-83540-14-00	PRO TACHOMETER ASSY WO OIL	1	
1	6Y5-83540-05-00	PRO TACHOMETER ASSY WOIL	1	
1	6Y5-83540-20-00	FOURSTROKE 50 TACHOMETER	1	
1	6Y7-83540-60-00	PRO SERIES 11 TACHOMETER W/OIL (BLACK)	1	(2 LAMP BLACK)
1	6Y7-83540-70-00	PRO SERIES 11 TACHOMETER W/OIL (WHITE)	1	(2 LAMP WHITE)
2	6Y5-83517-00-00	.BULB (T10, 12V-17W)	1	
3	6Y5-83536-10-00	.SOCKET, METER	1	
4	6Y5-83523-00-00	.DAMPER	1	
5	6Y5-83514-00-00	.PLATE, FITTING	1	
6	6Y5-83509-03-00	.SOCKET CORD ASSY	1	
7	6Y5-83518-00-00	.BULB (12V-17W T65)	3	
8	95303-05600-00	.NUT	2	
9	92903-05100-00	..WASHER, SPRING	2	
10	6Y5-83670-12-00	TRIM METER ASSY	1	
10	6Y5-83670-30-00	PRO SERIES 11 TRIM METER (WHITE)	1	
10	6Y5-83670-10-00	PRO SERIES 11 TRIM METER (BLACK)	1	
11	6Y7-83510-10-00	SPEEDOMETER ASSY (75MPH)	1	SPEED 75
11	6Y5-83510-00-00	SPEEDOMETER (0-75M)	1	SPEED 75
11	6Y5-83510-10-00	PRO SERIES II SPEEDOMETER (0-75MPH)	1	SPEED 50
11	6Y7-83510-00-00	SPEEDOMETER ASSY (75MPH)	1	SPEED 75
12	6Y5-83518-00-00	.BULB (12V-17W T65)	1	
13	6Y5-83536-00-00	.SOCKET, METER	1	
14	688-83664-00-00	.DAMPER	1	
15	6Y5-83544-00-00	.PLATE, FITTING	1	
16	688-83557-00-00	.TUBE	1	
17	90465-11M10-00	CLAMP	2	
18	6Y5-81950-02-00	RELAY ASSY	1	FOR 6Y5 OIL LIGHT
19	6Y7-85750-10-00	FUEL METER ASSY	1	NOT SHOWN
19	6Y7-85750-30-00	FUEL METER ASSY	1	NOT SHOWN
20	6Y7-83503-10-00	VOLTMETER ASSY	1	NOT SHOWN
20	6Y5-83503-00-00	VOLT METER	1	NOT SHOWN
20	6Y7-83503-00-00	VOLTMETER ASSY	1	NOT SHOWN
21	6Y5-83590-00-00	WATER TEMP METER	1	NOT SHOWN
22	6Y7-83660-30-00	WATER PRESSURE METER ASSY	1	
22	6Y7-83660-10-00	WATER PRESSURE METER ASSY	1	
23	6Y5-83518-00-00	.BULB (12V-17W T65)	1	
24	6Y5-83536-00-00	.SOCKET, METER	1	
25	688-83664-00-00	.DAMPER	1	
26	688-83665-00-00	.PLATE, FITTING	1	
27	688-83667-00-00	SENDER	1	
28	688-83666-00-00	.TUBE	1	
29	663-83668-00-00	.NUT, NIPPLE	2	
30	90430-14115-00	.GASKET	1	

31	6Y7-83590-00-00	WATER TEMPERATURE ASSY	1	NOT SHOWN
31	6Y7-83590-10-00	WATER TEMPERATURE ASSY	1	NOT SHOWN



6P21110-D400
8-4-2010


Part List

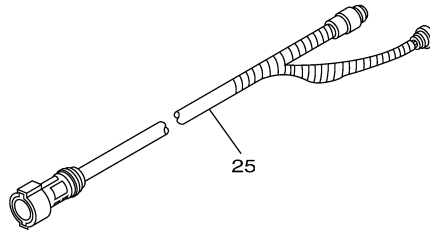
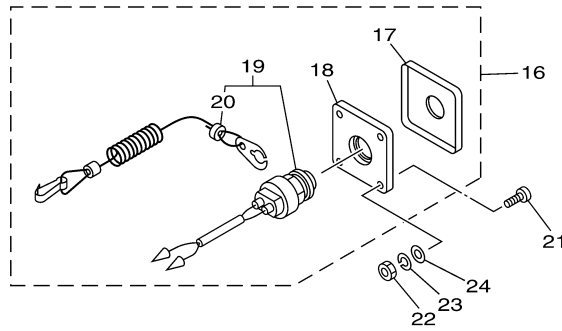
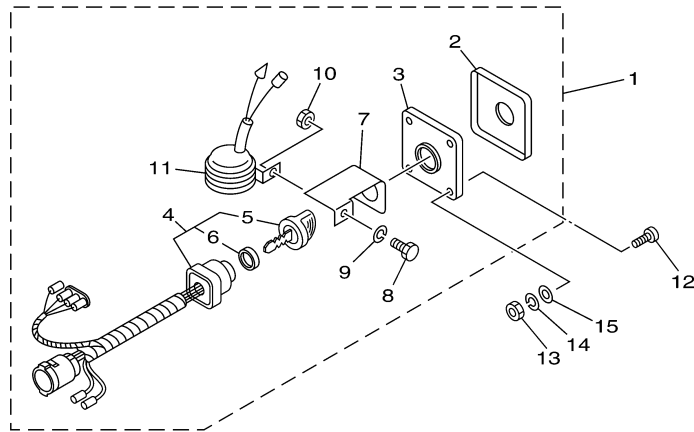
RIGGING 2006 0405 / ELECTRICAL SWITCH PANEL SINGLE

REF - NO	PART NUMBER	PART NAME	QUANTITY	REMARKS
1	704-82570-08-00	PANEL SWITCH ASSY	1	AP WITH CHOKE
2	704-82571-02-00	.PANEL, SWITCH	1	
3	6R5-82588-01-00	..PLATE	1	
4	704-82510-07-00	.MAIN SWITCH ASSY	1	
5	703-82577-00-00	..CAP, KEY	1	
6	6K1-82532-00-00	..CAP	1	
7	688-82575-01-00	..ENGINE STOP SWITCH ASSY	1	
8	682-82556-00-00	..LANYARD, STOP SWITCH	1	
9	663-82557-00-00	...NUT	1	
10	64D-82581-00-00	.STAY, CORD CLAMP	1	
11	97303-05012-00	.BOLT	1	
12	92903-05100-00	.WASHER, SPRING	1	
13	95303-05700-00	.NUT	1	
14	688-83383-11-00	.BUZZER	1	
15	90149-05M05-00	SCREW	4	AP
16	95380-05600-00	NUT	4	AP
17	92990-05100-00	WASHER, SPRING	4	AP
18	92990-05600-00	WASHER, PLATE	4	AP
19	6X3-8258A-10-00	EXTENSION, WIRE HARNESS (6M)	1	
19	6X3-8258A-00-00	EXTENSION, WIRE HARNESS (5M)	1	AP
19	61B-8258A-01-00	EXTENSION, WIRE HARNESS (9.5M)	1	
19	6K1-8258A-40-00	EXTENSION, WIRE HARNESS (8M)	1	AP

Part Notes

RIGGING 2006 0405 / ELECTRICAL SWITCH PANEL SINGLE

PART NUMBER	NOTE TEXT
682-82556-00-00 	OEM: This part number is among the Top 100 Most Popular Marine Maintenance Parts as of February 2013.



6P21110-D410


Part List

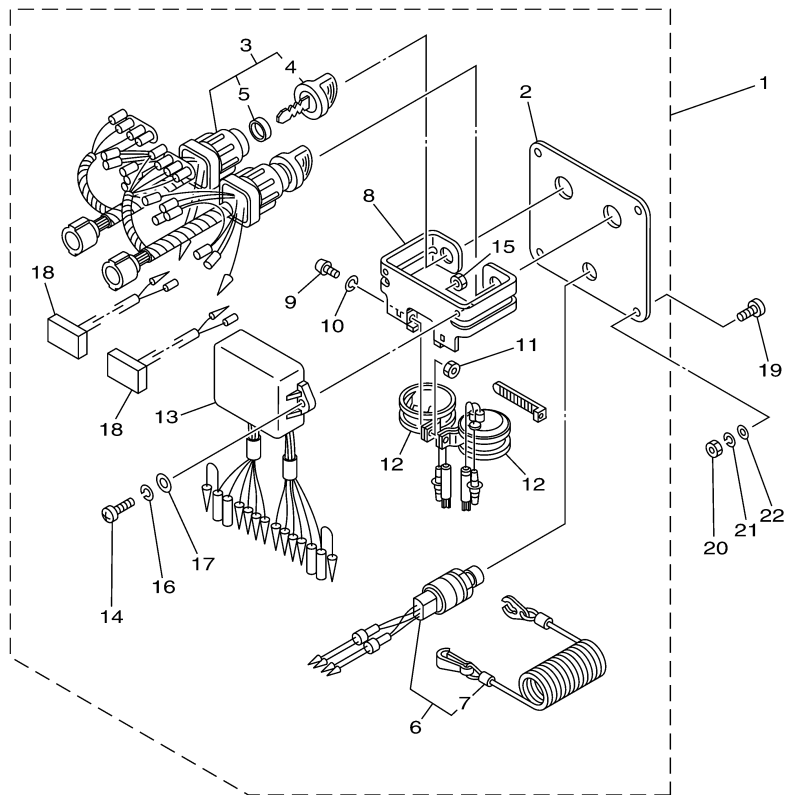
RIGGING 2006 0405 / ELECTRICAL SWITCH PANEL INDIVIDUAL

REF - NO	PART NUMBER	PART NAME	QUANTITY	REMARKS
1	64D-82570-03-00	PANEL SWITCH ASSY	1	AP WITH CHOKE
2	64D-82571-00-00	.PANEL, SWITCH	1	
3	64D-82588-00-00	.PLATE	1	
4	64D-82510-03-00	.MAIN SWITCH ASSY	1	
5	703-92577-00-00	..CAP, KEY	1	
6	6K1-82532-00-00	..CAP	1	
7	64D-82581-00-00	.STAY, CORD CLAMP	1	
8	97303-05012-00	.BOLT	1	
9	92903-05100-00	.WASHER, SPRING	1	
10	95303-05700-00	.NUT	1	
11	688-83383-11-00	.BUZZER	1	
12	90149-05M05-00	SCREW	4	AP
13	95380-05600-00	NUT	4	AP
14	92990-05100-00	WASHER, SPRING	4	AP
15	92990-05600-00	WASHER, PLATE	4	AP
16	64D-82570-10-00	PANEL SWITCH ASSY	1	
17	64D-82571-10-00	.PANEL, SWITCH	1	
18	64D-82588-10-00	.PLATE	1	
19	64D-82575-00-00	.ENGINE STOP SWITCH ASSY	1	
20	682-82556-00-00	..LANYARD, STOP SWITCH	1	
21	90149-05M05-00	SCREW	4	AP
22	95380-05600-00	NUT	4	AP
23	92990-05100-00	WASHER, SPRING	4	AP
24	92990-05600-00	WASHER, PLATE	4	AP
25	6X3-8258A-10-00	EXTENSION, WIRE HARNESS (6M)	1	AP
25	6X3-8258A-00-00	EXTENSION, WIRE HARNESS (5M)	1	AP
25	61B-8258A-01-00	EXTENSION, WIRE HARNESS (9.5M)	1	
25	6K1-8258A-40-00	EXTENSION, WIRE HARNESS (8M)	1	

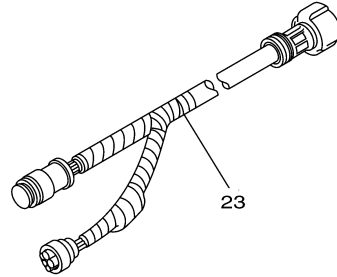
Part Notes

RIGGING 2006 0405 / ELECTRICAL SWITCH PANEL INDIVIDUAL

PART NUMBER	NOTE TEXT
682-82556-00-00 	OEM: This part number is among the Top 100 Most Popular Marine Maintenance Parts as of February 2013.




68V3300-C380





Part List

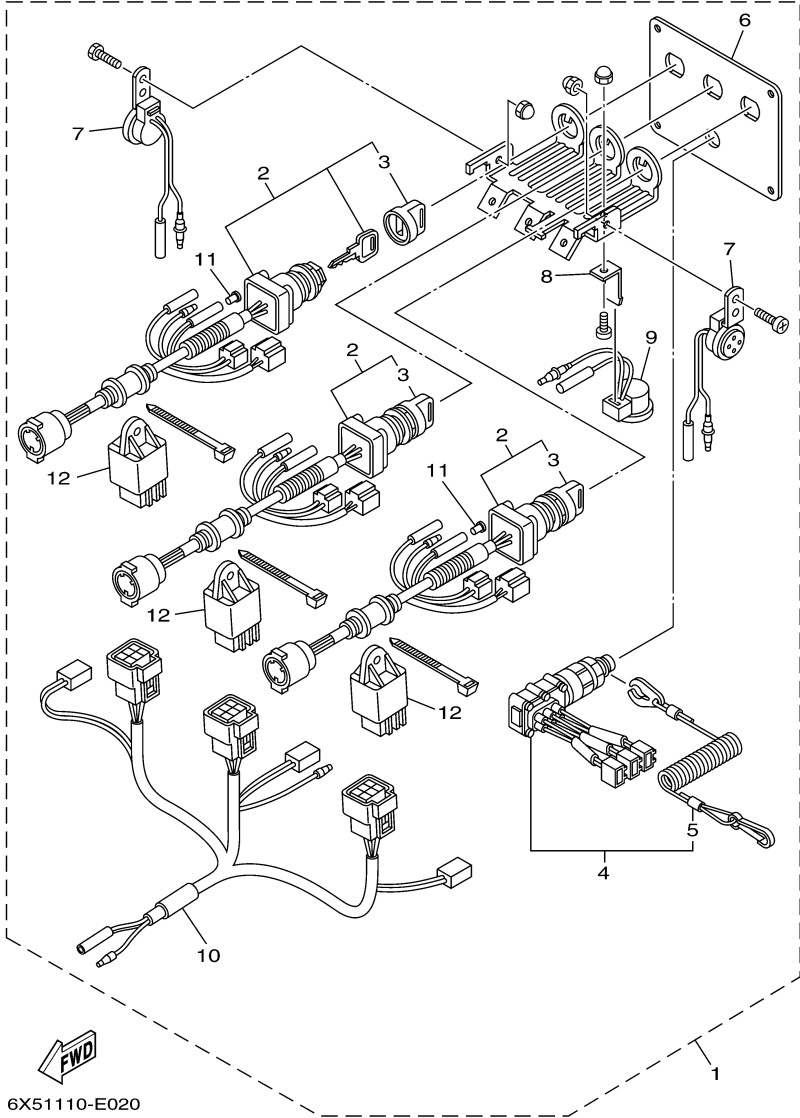
RIGGING 2006 0405 / ELECTRICAL SWITCH PANEL TWIN

REF - NO	PART NUMBER	PART NAME	QUANTITY	REMARKS
1	6K1-82570-08-00	PANEL SWITCH ASSY	1	AP WITH CHOKE
2	6K1-82571-02-00	.PLATE, PANEL SWITCH	1	
3	6K1-82510-06-00	.MAIN SWITCH ASSY	2	
4	703-82577-00-00	..CAP, KEY	1	
5	6K1-82532-00-00	..CAP	1	
6	6K1-82575-00-00	.ENGINE STOP SWITCH ASSY	1	
7	682-82556-00-00	..LANYARD, STOP SWITCH	1	
8	6K1-83614-10-00	.BRACKET	1	
9	98990-05010-00	.SCREW, BIND	2	
10	92990-05100-00	.WASHER, SPRING	2	
11	95380-05600-00	.NUT	2	
12	688-83383-11-00	.BUZZER	2	
13	6K1-85830-01-00	.CONTROL UNIT ASSY	1	
14	98980-06020-00	.SCREW, BIND	2	
15	95380-06600-00	.NUT, HEXAGON	2	
16	92990-06100-00	.WASHER, SPRING	2	
17	92990-06600-00	.WASHER, PLATE	2	
18	6K1-81980-00-00	.DIODE ASSY	2	
19	90149-05M05-00	SCREW	4	AP
20	95380-05600-00	NUT	4	AP
21	92990-05100-00	WASHER, SPRING	4	AP
22	92990-05600-00	WASHER, PLATE	4	AP
23	61B-8258A-01-00	EXTENSION, WIRE HARNESS (9.5M)	1	AP
23	6K1-8258A-40-00	EXTENSION, WIRE HARNESS (8M)	1	AP
23	6X3-8258A-10-00	EXTENSION, WIRE HARNESS (6M)	1	
23	6X3-8258A-00-00	EXTENSION, WIRE HARNESS (5M)	1	

Part Notes

RIGGING 2006 0405 / ELECTRICAL SWITCH PANEL TWIN

PART NUMBER	NOTE TEXT
682-82556-00-00 	OEM: This part number is among the Top 100 Most Popular Marine Maintenance Parts as of February 2013.
92990-06600-00 	OEM: This part number is among the Top 100 Most Popular Marine Maintenance Parts as of February 2013.



6X51110-E020


Part List

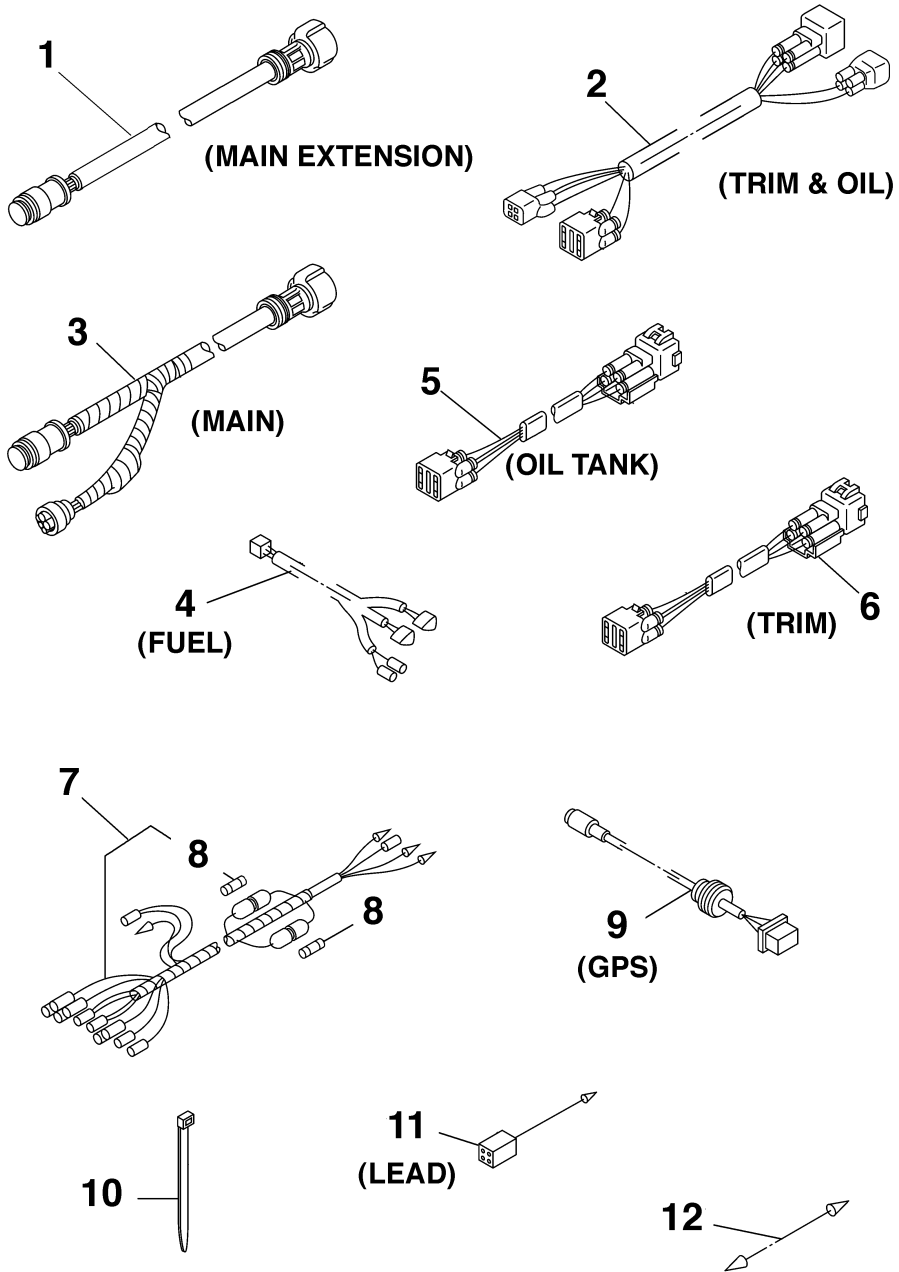
RIGGING 2006 0405 / ELECTRICAL SWITCH PANEL TRIPLE

REF - NO	PART NUMBER	PART NAME	QUANTITY	REMARKS
1	6X5-82570-00-00	PANEL SWITCH ASSY	1	
2	6X5-82510-00-00	.MAIN SWITCH ASSY	3	
3	676-82577-00-00	..CAP, KEY	1	
4	6X5-82575-00-00	.ENGINE STOP SWITCH ASSY	1	
5	682-82556-00-00	..LANYARD, STOP SWITCH	1	
6	6X5-82571-00-00	.PANEL, SWITCH	1	
7	6X5-83383-00-00	.BUZZER	2	
8	6X5-82581-00-00	.STAY, CORD CLAMP	1	
9	6X4-83383-00-00	.BUZZER	1	
10	6X5-82507-00-00	.WIRE, LEAD	2	
11	703-82119-00-00	.COVER, LEAD WIRE	2	
12	68V-81950-00-00	.RELAY ASSY	3	

Part Notes

RIGGING 2006 0405 / ELECTRICAL SWITCH PANEL TRIPLE

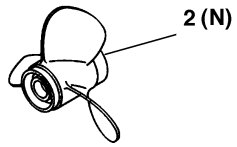
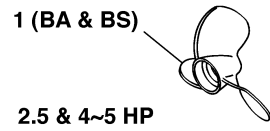
PART NUMBER	NOTE TEXT
682-82556-00-00 	OEM: This part number is among the Top 100 Most Popular Marine Maintenance Parts as of February 2013.



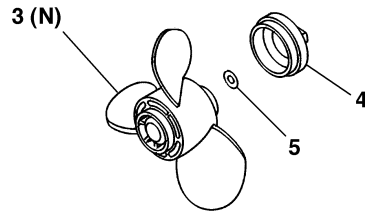
Part List

RIGGING 2006 0405 / ELECTRICAL WIRE HARNESSSES

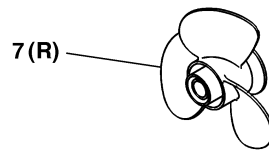
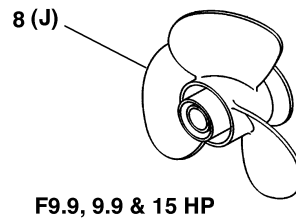
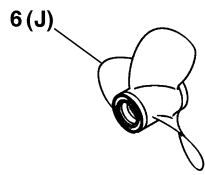
REF - NO	PART NUMBER	PART NAME	QUANTITY	REMARKS
1	703-8258A-00-00	EXTENSION, WIRE HARNESS (0.5M)	1	7 TO 10 PIN ADAPTER
1	688-8258A-30-00	EXTENSION, WIRE HARNESS (3M)	1	EXTENSION, MAIN
1	688-8258A-10-00	EXTENSION, WIRE HARNESS (2M)	1	EXTENSION, MAIN
1	688-8258A-20-00	.EXTENSION, WIRE HARNESS (49M)	1	EXTENSION, MAIN
2	68F-82553-70-00	EXTENSION, WIRE LEAD (L=7.0M)	1	TRIM & OIL GAUGE
2	68F-82553-90-00	EXTENSION, WIRE LEAD (L=9.5M)	1	TRIM & OIL GAUGE
2	68F-82553-50-00	EXTENSION, WIRE LEAD (L=5.0M)	1	TRIM & OIL GAUGE
2	68F-82553-80-00	EXTENSION, WIRE LEAD (L=8.0M)	1	TRIM & OIL GAUGE
2	68F-82553-60-00	TRIM HARNESS 6M (20')	1	TRIM & OIL GAUGE
3	61B-8258A-01-00	EXTENSION, WIRE HARNESS (9.5M)	1	AP (10P)
3	6X3-8258A-10-00	EXTENSION, WIRE HARNESS (6M)	1	MAIN 10 PIN
3	6X3-8258A-00-00	EXTENSION, WIRE HARNESS (5M)	1	MAIN 10 PIN
3	688-8258A-40-00	EXTENSION, WIRE LEAD (8M)	1	AP (10P)
3	6K1-8258A-40-00	EXTENSION, WIRE HARNESS (8M)	1	MAIN 10 PIN
3	688-8258A-50-00	EXTENSION, WIRE HARNESS (5M)	1	MAIN 10 PIN
4	6Y5-83553-F1-00	WIRE, LEAD (L=8.0M)	1	AP
5	6R3-85721-50-00	WIRE, LEAD (L=5.0M)	1	OIL TANK
5	6R3-82553-70-00	EXTENSION, WIRE LEAD (L=7.0M)	1	AP RP, 7M
5	6R3-85721-80-00	WIRE, LEAD (L=8.0M)	1	OIL TANK
5	6R3-85721-30-00	WIRE, LEAD (L=3.0M)	1	OIL TANK
6	6R3-82553-80-00	EXTENSION, WIRE LEAD (L=8.0M)	1	TRIM GAUGE
6	6R3-82553-50-00	EXTENSION, WIRE LEAD (L=5.0M)	1	TRIM GAUGE
6	6R3-82553-30-00	EXTENSION, WIRE LEAD (L=3.0M)	1	TRIM GAUGE
6	6R3-85721-70-00	WIRE, LEAD	1	AP 7M
6	6R3-82553-70-00	EXTENSION, WIRE LEAD (L=7.0M)	1	TRIM GAUGE
7	6Y5-83553-N0-00	WIRE, LEAD (L=2.5M)	1	
8	1E6-82151-00-00	.FUSE (10A)	1	
9	6Y5-87122-S0-00	.CORD ASSY 1	1	
9	6Y5-97122-S0-00	.CORD ASSY 1	1	
10	90450-11M10-00	CLAMP	2	AP
11	6Y5-82149-00-00	WIRE, LEAD (BLUE) (L300)	1	Y-LEAD
11	6Y5-82117-00-00	WIRE, LEAD (BLACK) (L300)	1	Y-LEAD
11	6Y5-82521-00-00	WIRE, LEAD (YELLOW)	1	Y-LEAD
12	703-82531-00-00	.WIRE, LEAD (L70)	1	AP



6~8 HP



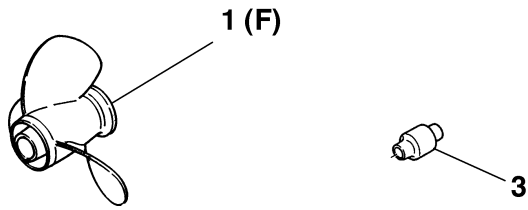
DUAL THRUST



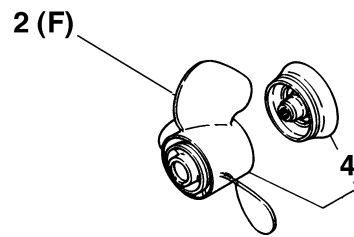
Part List

RIGGING 2006 0405 / PROPELLERS 2 THROUGH 15

REF - NO	PART NUMBER	PART NAME	QUANTITY	REMARKS
1	6L5-45945-00-EL	PROPELLER (3X7-1/4"X7-1/4"-BS)	1	F2.5
1	6L5-45947-00-EL	PROPELLER (3X7-1/4"X8-1/4"-BS)	1	F2.5
1	6E0-45943-01-EL	PROPELLER (3X7-1/2"X7"-BA)	1	F4
1	6E0-45941-01-EL	PROPELLER (3X7-1/2"X8"-BA)	1	F4
1	6L5-45949-00-EL	PROPELLER (3X7-1/4"X5"-BS)	1	F2.5
1	6L5-45952-00-EL	PROPELLER (3X7-1/4"X5-1/2"-BS)	1	F2.5
1	6E0-45945-01-EL	PROPELLER (3 X 7-1/4" X 7-1/2"-BA)	1	F4
2	6G1-45941-00-EL	PROPELLER (3X8-1/2"X8-1/2"-N)	1	F6, F8 & 8
2	6G1-45943-00-EL	PROPELLER (3X8-1/2"X7-1/2"-N)	1	F6, F8 & 8
2	6G1-45947-00-EL	PROPELLER (3X8-1/2"X6-1/2"-N)	1	F6, F8 & 8
2	6G1-45952-00-EL	PROPELLER (3X8-1/2"X8"-N)	1	F6, F8 & 8
2	6G8-45941-00-EL	PROPELLER (9-1/4" X 11-3/4"-R)	1	DUAL THRUST
3	6G1-W4591-01-EL	PROPELLER (3X9"X7"-N)	1	F6, F8 & 8 DUAL THRUST
4	6G1-45616-01-00	.NUT, PROPELLER	1	
5	90201-10M02-00	.WASHER, PLATE	1	
6	683-45947-00-EL	PROPELLER (3X9-1/4"X8"-J)	1	SEMI-WEEDLESS
6	683-45952-00-EL	PROPELLER (3X9-1/4"X9-3/4"-J)	1	
6	683-45945-00-EL	PROPELLER (3X9-1/4"X9"-J)	1	SEMI-WEEDLESS
6	683-45943-00-EL	PROPELLER (3X9-1/4"X10-1/2"-J)	1	
6	683-45941-00-EL	PROPELLER (3X9-1/4"X12"-J)	1	
6	63V-45943-00-EL	PROPELLER (3X9-1/4"X11"-J)	1	
6	63V-45945-00-EL	PROPELLER (3X9-1/4"X9"-J)	1	
6	63V-45947-00-EL	PROPELLER (3X9-1/4"X8"-J)	1	
7	69G-45941-00-EL	PROPELLER (3X11-3/4"X5-3/4"-R)	1	T8
8	683-W4591-02-EL	PROPELLER (3X9-3/4"X8"-J)	1	DUAL THRUST
8	683-W4592-02-EL	PROPELLER (3X9-3/4"X6-1/2"-J)	1	DUAL THRUST



25~30 HP

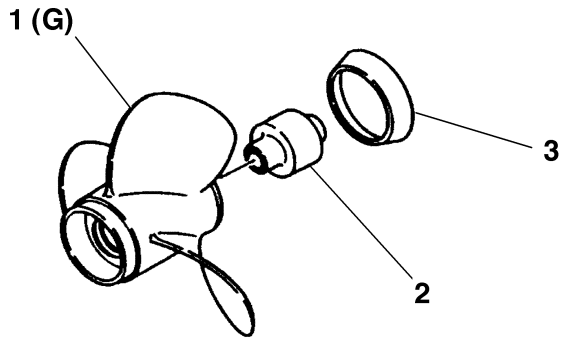


DUAL THRUST

Part List

RIGGING 2006 0405 / PROPELLERS 25 F25 THROUGH 30

REF - NO	PART NUMBER	PART NAME	QUANTITY	REMARKS
1	664-45941-01-EL	PROPELLER (3X9-7/8"X9"-F)	1	
1	664-45943-01-EL	PROPELLER (3X9-7/8"X8"-F)	1	
1	MAR-GYT3B-02-11	PROPELLER, POLISHED (11" X 10-1/8"-F)	1	
1	MAR-GYT3B-02-10	PROPELLER, POLISHED (10" X 10-1/8"-F)	1	
1	664-45945-00-EL	PROPELLER (3X9-7/8"X10- 1/2"-F)	1	
1	664-45947-01-EL	PROPELLER (3X9-7/8"X11- 1/4"-F)	1	
1	664-45949-02-EL	PROPELLER (3X9-7/8"X13"- F)	1	
1	664-45952-00-EL	PROPELLER (3X9-7/8"X14"- F)	1	
1	664-45970-00-98	PROPELLER (3X9-1/8"X13"- F)	1	WEEDLESS
1	664-45972-00-98	PROPELLER (3X9-1/8"X12"- F)	1	WEEDLESS
1	664-45954-01-EL	PROPELLER (3X9-7/8"X12"- F)	1	
1	MAR-GYT3B-02-12	PROPELLER, POLISHED (12" X 10-1/8"-F)	1	
1	MAR-GYT3B-02-13	PROPELLER, POLISHED (13" X 10-1/8"-F)	1	
1	MAR-GYT3B-02-14	PROPELLER, POLISHED (14" X 10-1/8"-F)	1	
2	6J8-W4591-00-EL	PROPELLER (3X10-5/8X8- 1/4-F)	1	DUAL THRUST
3	664-45981-01-00	.DAMPER, RUBBER PROP	1	USE WITH 6J8 AND 664 PROPELLERS
4	6J8-45986-10-098	..RING, DEFLECTOR	1	ALUMINUM PROPELLERS ONLY

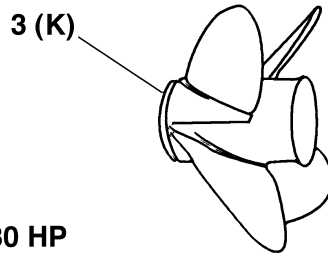
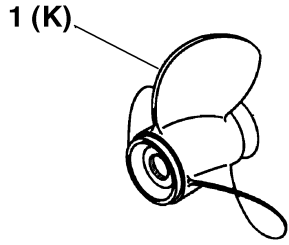


T25 & F30~60 HP

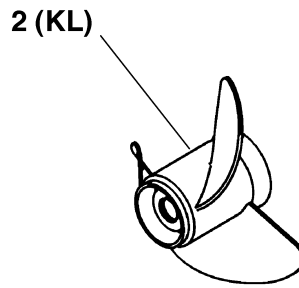
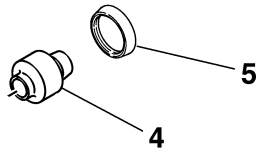
Part List

RIGGING 2006 0405 / PROPELLERS T25 THROUGH 60

REF - NO	PART NUMBER	PART NAME	QUANTITY	REMARKS
1	663-45941-01-EL	PROPELLER (3X10-3/4"X17"-G)	1	ALUMINUM
1	6H5-45943-00-EL	PROPELLER (3X10"X15"-G)	1	LIP CUP ALUMINUM
1	MAR-GYT3B-03-14	PROPELLER, POLISHED (14" X 10"-G)	1	
1	6H5-45945-00-EL	PROPELLER (3X10-3/8"X13"-G)	1	LIP CUP ALUMINUM
1	663-45949-01-EL	PROPELLER (3X10-3/4"X16"-G)	1	ALUMINUM
1	6H5-45952-00-EL	PROPELLER (3X10-5/8"X12"-G)	1	LIP CUP ALUMINUM
1	663-45956-01-EL	PROPELLER (3X12-1/4"X9"-G)	1	ALUMINUM
1	6H5-45958-00-EL	PROPELLER (3X10-1/4"X14"-G)	1	LIP CUP ALUMINUM
1	663-45970-60-98	PROPELLER (3X11-3/4"X12"-G)	1	
1	663-45972-60-98	PROPELLER (3X12"X11"-G)	1	
1	663-45974-60-98	PROPELLER (3X11-1/2"X13"-G)	1	
1	663-45958-01-EL	PROPELLER (3X11-1/4"X14"-G)	1	ALUMINUM
1	68U-45941-00-EL	PROPELLER (3X12-1/4"X9"-G)	1	STD T25 DUAL THRUST ALUMINUM
1	69W-45943-00-EL	PROPELLER (3X11"X15"-G)	1	ALUMINUM
1	69W-45945-00-EL	PROPELLER (3X11-1/8"X13"-G)	1	ALUMINUM
1	69W-45947-00-EL	PROPELLER (3X11-5/8"X11"-G)	1	ALUMINUM
1	69W-45952-00-EL	PROPELLER (3X11-3/8"X12"-G)	1	ALUMINUM
1	MAR-GYT3B-03-13	PROPELLER, POLISHED (13" X 10"-G)	1	
1	MAR-GYT3B-03-15	PROPELLER, POLISHED (15" X 10"-G)	1	
1	663-45930-60-98	PROPELLER, BLACK SS (14" X 10-1/4"-G)	1	
1	663-45976-60-98	PROPELLER, BLACK SS (15" X 10-1/4"-G)	1	
1	663-45978-60-98	PROPELLER, BLACK SS (16" X 10-1/4"-G)	1	
1	MAR-GYT3B-03-12	PROPELLER, POLISHED (13" X 10"-G)	1	
2	663-45981-10-00	.DAMPER, PROPELLER	1	
3	663-45986-00-94	.RING, DEFLECTOR	1	ALUMINUM PROPELLERS ONLY



T50~130 HP



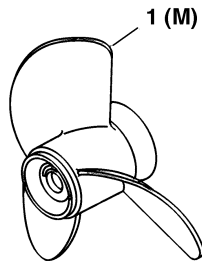
L115 HP

Part List

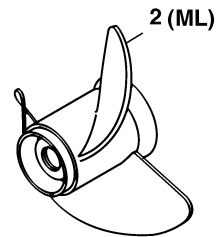
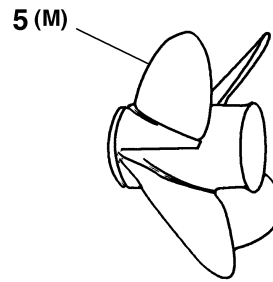
RIGGING 2006 0405 / PROPELLERS T50 THROUGH F L115

REF - NO	PART NUMBER	PART NAME	QUANTITY	REMARKS
1	6E5-45941-00-EL	PROPELLER (3X13"X19"-K)	1	
1	6E5-45943-00-EL	PROPELLER (3X12-5/8"X21"-K)	1	
1	MAR-GYT3B-V4-16	PROPELLER, 3 BLADE (13-1/4" X 16"-M)	1	
1	MAR-GYT3B-V4-14	PROPELLER, 3 BLADE (13-1/4" X 14"-M)	1	
1	MAR-GYT3B-V4-24	PROPELLER, 3 BLADE (13-1/3" X 24"-M)	1	
1	MAR-GYT3B-V4-22	PROPELLER, 3 BLADE (13-1/4" X 22"-M)	1	
1	MAR-GYT3B-V4-20	PROPELLER, 3 BLADE (13-1/4" X 20"-M)	1	
1	MAR-GYT3B-V4-18	PROPELLER, 3 BLADE (13-1/4" X 18"-M)	1	
1	68S-45941-00-EL	PROPELLER (3X14"X11"-K)	1	DUAL THRUST
1	62A-45974-10-00	PROPELLER (3X13-1/2"X19"-K)	1	HIGH PERFORMANCE
1	62A-45972-10-00	PROPELLER (3X13-1/2"X23"-K)	1	HIGH PERFORMANCE
1	62A-45970-10-00	PROPELLER (3X13-1/2"X21"-K)	1	HIGH PERFORMANCE
1	688-45930-02-98	PROPELLER (3X13"X17"-K)	1	
1	6E5-45956-00-EL	PROPELLER (3X13"X25"-K)	1	
1	688-45976-01-98	PROPELLER (3X13"X25"-K)	1	
1	6E5-45945-01-EL	PROPELLER (3X13-1/4"X17"-K)	1	
1	6E5-45947-00-EL	PROPELLER (3X13-1/2"X15"-K)	1	
1	6E5-45949-00-EL	PROPELLER (3X13-5/8"X13"-K)	1	
1	688-45970-03-98	PROPELLER (3X13"X19"-K)	1	
1	688-45972-02-98	PROPELLER (3X13"X21"-K)	1	
1	688-45974-02-98	PROPELLER (3X13"X23"-K)	1	
1	688-45978-60-98	PROPELLER (3X13-1/2"X16"-K)	1	
1	688-45932-60-98	PROPELLER (3X13-1/2"X14"-K)	1	
1	6E5-45952-00-EL	PROPELLER (3X13"X23"-K)	1	
1	6E5-45954-00-EL	PROPELLER (3X14"X11"-K)	1	
2	MAR-GYT3B-L4-18	PROPELLER, PERFORMANCE 4 BLADE (13 X 18"-KL)	1	ALUMINUM
2	MAR-GYT3B-L4-20	PROPELLER, PERFORMANCE 4 BLADE (13 X 20"-KL)	1	ALUMINUM
2	MAR-GYT3B-L4-22	PROPELLER, PERFORMANCE 4 BLADE (13 X 22"-KL)	1	ALUMINUM
2	MAR-GYT3B-L4-14	PROPELLER, PERFORMANCE 4 BLADE (13 X 14"-KL)	1	ALUMINUM
2	6L6-45972-00-98	PROPELLER (3X13"X21"-KL)	1	
2	6L6-45970-00-98	PROPELLER (3X13"X19"-KL)	1	
2	MAR-GYT3B-L4-16	PROPELLER, PERFORMANCE 4 BLADE (13 X 16"-KL)	1	ALUMINUM
2	6L6-45930-00-98	PROPELLER, BLACK SS (17 X 13"-KL)	1	
3	MAR-GYT4B-V4-18	PROPELLER, PERFORMANCE 4 BLADE (18 X 13-1/4"-K)	1	MAY REQUIRE TRIM TAB 6E5-45371-10-00
3	MAR-GYT4B-V4-22	PROPELLER, PERFORMANCE 4 BLADE (22 X 13-1/4"-K)	1	MAY REQUIRE TRIM TAB 6E5-45371-10-00
3	MAR-GYT4B-V4-23	PROPELLER, PERFORMANCE 4 BLADE (23 X 13-1/4"-K)	1	MAY REQUIRE TRIM TAB 6E5-45371-10-00

3	MAR-GYT4B-V4-20	PROPELLER, PERFORMANCE 4 BLADE (20 X 13-1/4"-K)	1	MAY REQUIRE TRIM TAB 6E5-45371-10-00
4	688-45981-00-00	.DAMPER, PROPELLER	1	
5	688-45986-00-94	.RING, DEFLECTOR	1	ALUMINUM PROPELLERS ONLY

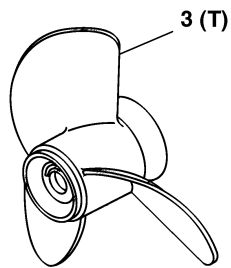


150~225 HP

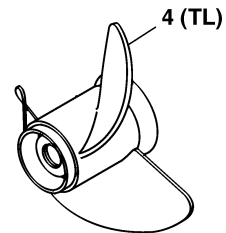


L150~225 HP

NOTE: WHEN USING RIGHT (M OR T) AND LEFT (ML OR TL) PROPELLERS, USE 6G5 WITH 6K1, 6R4 WITH 6R1, 61A WITH 61B, 6D0 WITH 6D1 AND MAR-GYT3B-V6 WITH-L6, AS A SET.



200~300 HP



L 200~300 HP



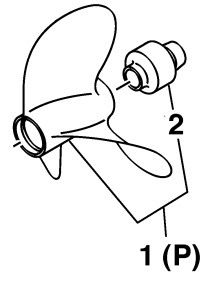
Part List

RIGGING 2006 0405 / PROPELLERS 150 THROUGH 300

REF - NO	PART NUMBER	PART NAME	QUANTITY	REMARKS
1	6G5-45941-00-98	PROPELLER (3X15-1/4"X15"-M)	1	ALUMINUM
1	68F-45976-00-00	PROPELLER (3X13-3/4"X21"-M)	1	
1	6G5-45949-00-98	PROPELLER (3X13-1/2"X23"-M)	1	ALUMINUM
1	6G5-45972-02-98	PROPELLER (3X13-3/4"X21"-M)	1	
1	6G5-45976-01-98	PROPELLER (3X13-3/8"X23"-M)	1	
1	6G5-45952-00-98	PROPELLER (3X14-5/8"X16"-M)	1	ALUMINUM
1	6G5-45947-01-98	PROPELLER (3X14-1/2"X17"-M)	1	ALUMINUM
1	6G5-45970-02-98	PROPELLER (3X15-1/4"X15"-M)	1	
1	6G5-45932-00-98	PROPELLER (3X15-3/4"X13"-M)	1	
1	6G5-45974-03-98	PROPELLER (3X13-3/4"X19"-M2)	1	
1	6G5-45978-03-98	PROPELLER (3X13-3/4"X17"-M2)	1	
1	6G5-45943-01-98	PROPELLER (3X13-3/4"X21"-M)	1	ALUMINUM
1	6R4-45976-A0-00	PROPELLER (3X14-1/2"X15"-M)	1	
1	6R4-45978-A0-00	PROPELLER (3X15-1/4"X17"-M)	1	
1	6R4-45970-A0-00	PROPELLER (3 X15-1/4" X19"R-M)	1	
1	6R4-45972-A0-00	PROPELLER (3X14-7/8"X21"-M)	1	
1	6R4-45974-A0-00	PROPELLER (3X14-1/2"X23"-M)	1	
1	66K-45972-B0-00	PROPELLER (3X14-1/2"X25"-M2)	1	
1	66K-45970-B0-00	PROPELLER (3X14-1/2"X27"-M1)	1	
1	6J9-45976-01-00	PROPELLER (3 X14-1/2" X21"-M)	1	
1	66K-45974-B0-00	PROPELLER (3X14-1/2"X23"-M2)	1	
1	MAR-GYT3B-V6-16	PROPELLER, 3 BLADE (13-1/4" X 16"-M)	1	NOT RECOMMENDED FOR OVER 200 HP
1	MAR-GYT3B-V6-18	PROPELLER, 3 BLADE (13-1/4" X 18"-M)	1	NOT RECOMMENDED FOR OVER 200 HP
1	MAR-GYT3B-V6-20	PROPELLER, 3 BLADE (13-1/4" X 20"-M)	1	NOT RECOMMENDED FOR OVER 200 HP
1	MAR-GYT3B-V6-22	PROPELLER, 3 BLADE (13-1/4" X 22"-M)	1	NOT RECOMMENDED FOR OVER 200 HP
1	MAR-GYT3B-V6-24	PROPELLER, 3 BLADE (13-1/3" X 24"-M)	1	NOT RECOMMENDED FOR OVER 200 HP
1	MAR-GYT3B-V6-26	PROPELLER, 3 BLADE (13-1/4" X 26"-M)	1	NOT RECOMMENDED FOR OVER 200 HP
1	MAR-GYT3B-V6-14	PROPELLER, 3 BLADE (13-1/4" X 14"-M)	1	NOT RECOMMENDED FOR OVER 200 HP
1	68F-45970-00-00	PROPELLER (3X14-1/2"X15"-M)	1	
1	68F-45972-00-00	PROPELLER (3X14-1/4"X17"-M)	1	
1	68F-45974-00-00	PROPELLER (3X13-3/4"X19"-M)	1	
1	6G5-45945-01-98	PROPELLER (3X14"X19"-M)	1	ALUMINUM

2	6K1-45972-01-98	PROPELLER (3X13-3/4"X21"-ML)	1	
2	6K1-45970-01-98	PROPELLER (3X15-1/4"X15"-ML)	1	
2	6K1-45974-02-98	PROPELLER (3X13-3/4"X19"-ML1)	1	
2	6K1-45978-02-98	PROPELLER (3X13-3/4"X17"-ML1)	1	
2	6K1-45947-00-98	PROPELLER (3X14-1/2"X17"-ML)	1	ALUMINUM
2	6K1-45945-00-98	PROPELLER (3X14"X19"-ML)	1	ALUMINUM
2	6R1-45976-A0-00	PROPELLER (3X15-1/4"X15"-ML)	1	
2	6R1-45978-A0-00	PROPELLER (3X15-1/4"X17"-ML)	1	
2	6R1-45970-A0-00	PROPELLER, SS (3 X 15-1/4" X 19"-ML)	1	
2	6R1-45972-A0-00	PROPELLER (3X14-7/8"X21"-ML)	1	
2	6R1-45974-A0-00	PROPELLER (3X14-1/2"X23"-ML)	1	
2	6K1-45976-00-98	PROPELLER (3X13-3/8"X23"-ML)	1	
2	MAR-GYT3B-L6-18	PROPELLER, 3 BLADE L (14-1/4" X 18" V6-ML)	1	NOT RECOMMENDED FOR OVER 200 HP
2	MAR-GYT3B-L6-20	PROPELLER, 3 BLADE L (14-1/4" X 20" V6-ML)	1	NOT RECOMMENDED FOR OVER 200 HP
2	MAR-GYT3B-L6-22	PROPELLER, 3 BLADE L (14-1/4" X 22" V6-ML)	1	NOT RECOMMENDED FOR OVER 200 HP
2	MAR-GYT3B-L6-14	PROPELLER, 3 BLADE L (14-1/4" X 14" V6-ML)	1	NOT RECOMMENDED FOR OVER 200 HP
2	MAR-GYT3B-L6-16	PROPELLER, 3 BLADE L (14-1/4" X 16" V6-ML)	1	NOT RECOMMENDED FOR OVER 200 HP
2	68G-45972-00-00	PROPELLER (3X14-1/4"X17"-ML)	1	
2	68G-45974-00-00	PROPELLER (3X13-3/4"X19"-ML)	1	
2	68G-45976-00-00	PROPELLER (3X13-3/4"X21"-ML)	1	
3	61A-45974-00-98	PROPELLER (3X14-1/2"X19"-T)	1	
3	61A-45978-00-98	PROPELLER (3X15"X17"-T)	1	
3	61A-45972-00-98	PROPELLER (3X14-1/2"X21"-T)	1	
3	69L-45974-10-00	PROPELLER, VX MAX (14-1/2" X 23"-T)	1	
3	69L-45976-10-00	PROPELLER, VX MAX (14-3/4" X 29"-T)	1	
3	69L-45970-20-00	PROPELLER (3X15-1/8"X27"-T1)	1	
3	MAR-GYT3B-XL-23	PROPELLER (14-5/8" X 23-T)	1	VX/VZ200~VZ300
3	6D0-45970-00-00	PROPELLER (3X15-1/4"X19"-T)	1	
3	6D0-45972-00-00	PROPELLER (3X15"X21"-T)	1	
3	6D0-45978-00-00	PROPELLER (3X15-1/2"X17"-T)	1	
3	MAR-GYT3B-XL-25	PROPELLER (14-5/8" X 25-T)	1	VX/VZ200~VZ300
3	MAR-GYT3B-XL-27	PROPELLER (14-5/8" X 27-T)	1	VX/VZ200~VZ300
3	6D0-45976-00-00	PROPELLER (3 X 15-34" X 15-T)	1	
3	69L-45972-20-00	PROPELLER (3X15-1/8"X25"-T1)	1	
4	61B-45974-00-98	PROPELLER (3X14-1/2"X19"-TL)	1	
4	61B-45978-00-98	PROPELLER (3X15"X17"-TL)	1	
4	6D1-45976-00-00	PROPELLER (3 X 15-34" X 15"-TL)	1	
4	6D1-45978-00-00	PROPELLER (3X15-1/2"X17"-	1	

		TL)		
4	6D1-45972-00-00	PROPELLER (3X15"X21"-TL)	1	
4	6D1-45970-00-00	PROPELLER (3X15-1/4"X19"-TL)	1	
4	61B-45972-00-98	PROPELLER (3X14-1/2"X21"-TL)	1	
5	MAR-GYT4B-V6-24	PROPELLER, 4 BLADE (13-3/4" X 24 V6-M)	1	
5	MAR-GYT4B-V6-25	PROPELLER, 4 BLADE (13-3/4" X 25 V6-M)	1	
5	MAR-GYT4B-V6-22	PROPELLER, 4 BLADE (13-3/4" X 22 V6-M)	1	
5	MAR-GYT4B-V6-23	PROPELLER, 4 BLADE (13-3/4" X 23 V6-M)	1	
5	MAR-GYT4B-V6-18	PROPELLER, 4 BLADE (13-3/4" X 18 V6-M)	1	
5	MAR-GYT4B-V6-20	PROPELLER, 4 BLADE (13-3/4" X 20 V6-M)	1	
5	MAR-GYT4B-V6-26	PROPELLER, 4 BLADE (13-3/4" X 26 V6-M)	1	
6	6G5-45981-00-00	.DAMPER RUBBER, PROPELLER	1	FOR ALL ALUMINUM 6E5, 688, 6L6, 6G5 & 6K1 PROPSXXX
6	61A-45981-00-00	.DAMPER RUBBER, PROPELLER	1	68F & 68G
6	61A-45981-00-00	.DAMPER RUBBER, PROPELLER	1	66K, 6R1, 6R4, 61A, 61B, 69L, 6D0, 6D1, 6G5 & 6K1



**70~225 SPECIAL HP
HIGH PERFORMANCE**

Part List

RIGGING 2006 0405 / PROPELLERS SPECIAL

REF - NO	PART NUMBER	PART NAME	QUANTITY	REMARKS
1	6E5-45972-10-00	PROPELLER (3X14"X24"-P)	1	SATIN
1	6E5-45978-10-00	PROPELLER (3X14"X26"-P)	1	SATIN
1	6E5-45976-10-00	PROPELLER (3X14"X22"-P)	1	SATIN
2	6G5-45981-00-00	.DAMPER RUBBER, PROPELLER	1	