

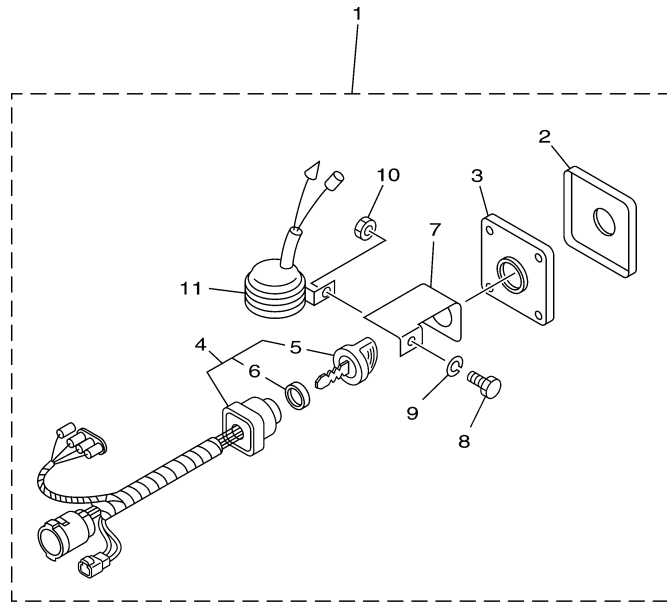
6X71100-H010

Part List

DEC_FLUSH_CONTROL 0508 / DBW REMOTE CONTROL

REF - NO	PART NUMBER	PART NAME	QUANTITY	REMARKS
1	6X7-48206-00-00	REMOTE CONTROL ASSY	1	ORDER FROM O/B SALES
2	6X7-82563-00-00	.TRIM & TILT SWITCH ASSY	1	
3	6X7-48221-00-00	.LEVER, CONTROL	1	
4	6X7-48222-00-00	.GRIP, CONTROL LEVER	1	
5	6X7-48224-00-00	.COVER, CONTROL LEVER	1	
6	6X7-48223-00-00	.LOCK, NEUTRAL	1	
7	6X7-48224-10-00	.COVER, CONTROL LEVER	1	
8	703-48227-00-00	.SPRING, NEUTRAL LOCK	1	
9	6X6-48171-00-00	.BOLT	1	
10	92990-08600-00	.WASHER, PLATE	1	
11	6X6-48128-00-00	.SCREW 2	2	
12	6X7-48119-00-00	.COVER	1	
13	6X7-48167-10-00	.PLUG	1	
14	6X7-48167-00-00	.PLUG	1	
15	6X7-48225-00-00	.COVER	1	
16	6X7-44191-00-00	.INDICATOR, SHIFT	1	
17	6X7-48215-00-00	.GRAPHIC	1	
18	6X7-481A0-00-00	.REMO-CON CASE ASSY	1	
19	6X7-48176-00-00	..GROMMET	1	
20	6X7-48212-00-00	.BACK PLATE 1	1	
21	6X7-48189-00-00	.RETAINER	1	
22	6X7-8259E-00-00	.SWITCH ASSY	1	
23	6X7-84301-00-00	.PILOT LIGHT ASSY 1	1	
24	6X7-48233-00-00	.GEAR 2	1	
25	6X7-48242-00-00	.SHAFT, DRIVE	1	
26	6X7-48228-00-00	.HOLDER, SWITCH	1	
27	6X7-82545-00-00	.GROMMET	1	
28	6X6-82540-00-00	.NEUTRAL SWITCH ASSY	1	
29	6X6-48245-01-00	.PLATE, LOCK	1	
30	6X6-48241-00-00	.ARM, DRIVE	1	
31	6X6-48264-00-00	.FRICTION, THROTTLE	1	
32	6X6-48267-00-00	.BOLT SET	1	
33	704-48287-00-00	.WASHER	1	
34	6X6-48158-00-00	.SPRING 1	1	
35	6X6-48236-00-00	.ROLLER, DETENT	1	
36	6X6-48237-00-00	.ADAPTOR	1	
37	6X6-48238-00-00	.SPRING, DETENT	1	
38	6X6-48234-00-00	.BUSHING 1	1	
39	703-48198-00-00	.WASHER, WAVE	1	
40	6X6-48193-00-00	.WASHER 3	1	
41	6X6-48118-00-00	.CLIP, SHIFT LEVER	1	
42	703-82591-00-00	.BAND	3	
43	6X6-8252V-00-00	.SCREW, SPECIAL	2	
44	6X7-48127-00-00	.SCREW 1	7	
45	EL8-48127-00-00	.SCREW 1	8	
46	6X7-82575-00-00	.ENGINE STOP SWITCH ASSY	1	
47	6X7-82590-10-00	.WIRE HARNESS ASSY	1	
48	6X7-82590-00-00	.WIRE HARNESS ASSY	1	
49	6X6-85590-10-00	.CONTROL UNIT ASSY	1	
50	704-81950-10-00	.RELAY ASSY	1	
51	6X6-48211-10-00	.HOUSING,1	1	
52	6X6-85557-00-00	.HOLDER	2	

53	6X6-82591-00-00	.BAND	1	
54	6X6-8252S-00-00	.SPACER, 1	2	
55	6X6-82584-00-00	.CLAMP	1	
56	6X6-82581-00-00	.STAY, CORD CLAMP	1	
57	6X0-48128-00-00	.SCREW(M6X30)	4	
58	98580-05025-00	.SCREW, PAN HEAD	2	
59	98580-05014-00	.SCREW, PAN HEAD	7	
60	92990-05200-00	.WASHER, PLAIN	2	
61	98580-04010-00	.SCREW, PAN HEAD	1	
62	98780-06035-00	.SCREW, FLAT HEAD	3	
63	97780-06230-00	.SCREW, TAPPING	3	
64	6X0-48156-00-00	.NUT 1	3	
65	701-48287-00-00	.WASHER	3	
66	6X7-48128-00-00	.SCREW 2	1	
67	6X7-48176-10-00	.GROMMET	1	

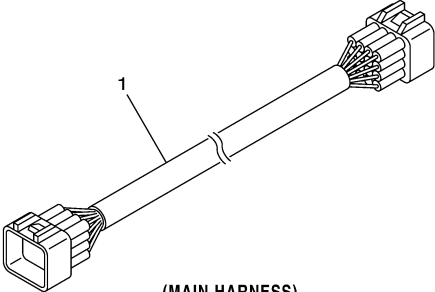


6X71100-H020

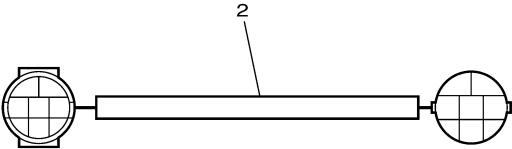
Part List

DEC_FLUSH_CONTROL 0508 / SWITCH PANEL

REF - NO	PART NUMBER	PART NAME	QUANTITY	REMARKS
1	64D-82570-20-00	PANEL SWITCH ASSY	1	
2	64D-82571-00-00	.PANEL, SWITCH	1	
3	64D-82588-00-00	.PLATE	1	
4	64D-82510-03-00	.MAIN SWITCH ASSY	1	
5	703-82577-00-00	..CAP, KEY	1	
6	6K1-82532-00-00	..CAP	1	
7	64D-82581-00-00	.STAY, CORD CLAMP	1	
8	97303-05012-00	.BOLT	1	
9	92903-05100-00	.WASHER, SPRING	1	
10	95303-05700-00	.NUT	1	
11	688-83383-11-00	.BUZZER	1	



(MAIN HARNESS)



(WIRE HARNESS)

6X71100-H030

Part List

DEC_FLUSH_CONTROL 0508 / ELECTRICAL WIRE HARNESS

REF - NO	PART NUMBER	PART NAME	QUANTITY	REMARKS
1	6X6-8258A-10-00	EXTENSION, WIRE HARNESS (7M)	1	UR
1	6X6-8258A-20-00	EXTENSION, WIRE HARNESS (8M)	1	UR
1	6X6-8258A-30-00	EXTENSION, WIRE HARNESS (10M)	1	UR
1	6X6-8258A-40-00	EXTENSION, WIRE HARNESS (12M)	1	UR
1	6X68258A0000	EXTENSION, WIRE HARNESS (6.1M)	1	UR
2	6X7-82590-30-00	WIRE HARNESS ASSY	1	