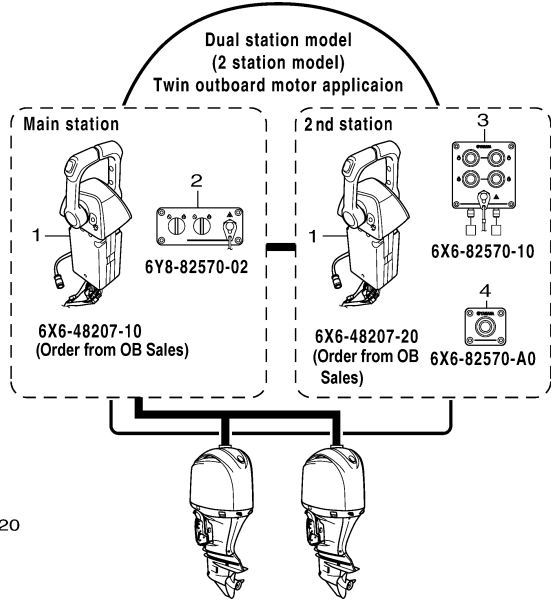
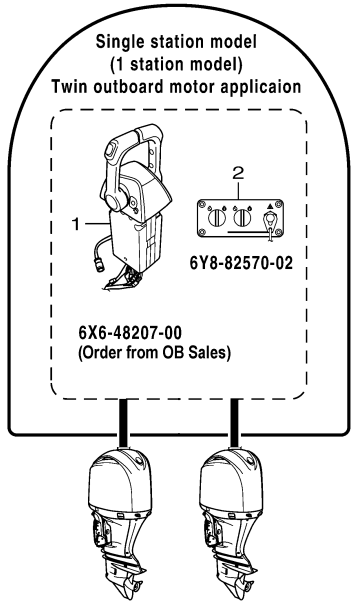


Part List

DEC_BINNACLE_CONTROL 0507 / LAYOUT CHART 1 (SINGLE)

REF - NO	PART NUMBER	PART NAME	QUANTITY	REMARKS
1	6X6-48205-00-00	REMOTE CONTROL ASSY (SINGLE)	1	ORDER FROM O/B SALES
1	6X6-48205-10-00	REMOTE CONTROL ASSY	1	ORDER FROM O/B SALES
1	6X6-48205-20-00	REMOTE CONTROL ASSY	1	ORDER FROM O/B SALES
2	704-82570-08-00	PANEL SWITCH ASSY	1	1 OR 2 STATION MAIN
3	6X6-82570-00-00	PANEL SWITCH ASSY (SINGLE)	1	2 STATION
4	6X6-82570-A0-00	PANEL SWITCH ASSY	2	2 STATION

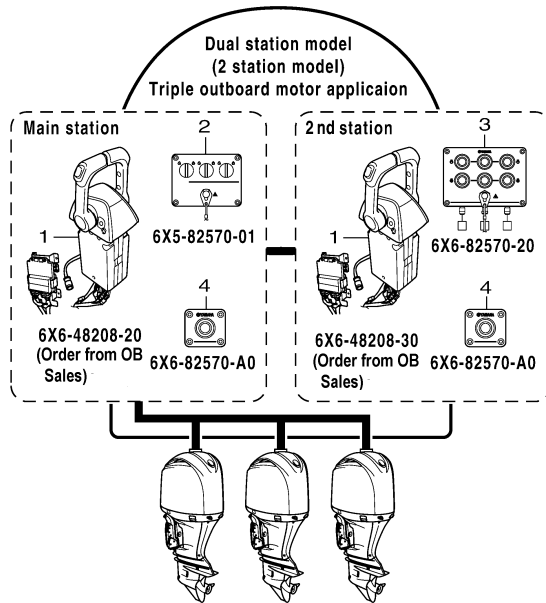


6X61100-G020

Part List

DEC_BINNACLE_CONTROL 0507 / LAYOUT CHART 2 (TWIN)

REF - NO	PART NUMBER	PART NAME	QUANTITY	REMARKS
1	6X6-48207-00-00	REMOTE CONTROL ASSY (TWIN)	1	ORDER FROM O/B SALES
1	6X6-48207-10-00	REMOTE CONTROL ASSY	1	ORDER FROM O/B SALES
1	6X6-48207-20-00	REMOTE CONTROL ASSY	1	ORDER FROM O/B SALES
2	6Y8-82570-02-00	PANEL SW., TWIN	1	1 OR 2 STATION MAIN
3	6X6-82570-10-00	PANEL SWITCH ASSY (TWIN)	1	2 STATION 2ND HELM
4	6X6-82570-A0-00	PANEL SWITCH ASSY	2	2 STATION 2ND HELM

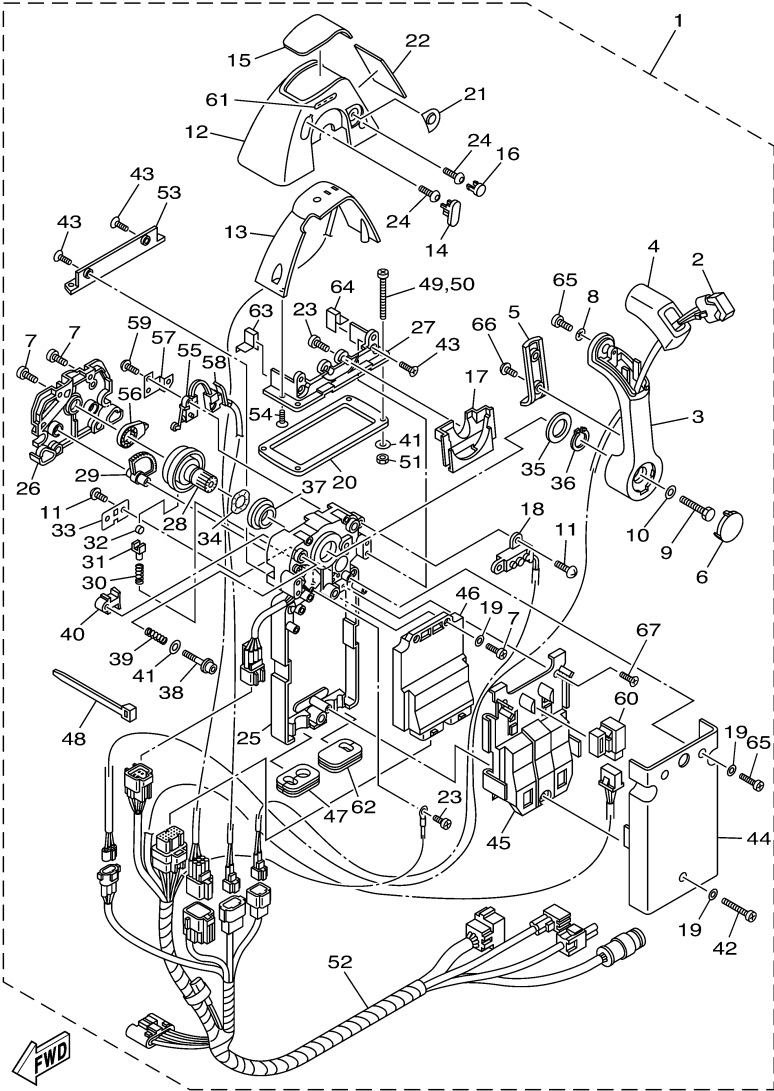


6X61100-G030

Part List

DEC_BINNACLE_CONTROL 0507 / LAYOUT CHART 3 (TRIPLE)

REF - NO	PART NUMBER	PART NAME	QUANTITY	REMARKS
1	6X6-48208-20-00	REMOTE CONTROL ASSY	1	ORDER FROM O/B SALES
1	6X6-48208-30-00	REMOTE CONTROL ASSY	1	ORDER FROM O/B SALES
2	6X5-82570-01-00	PANEL SWITCH ASSY	1	2 STATION MAIN
3	6X6-82570-20-00	PANEL SWITCH ASSY	1	2 STATION 2ND HELM
4	6X6-82570-A0-00	PANEL SWITCH ASSY	2	



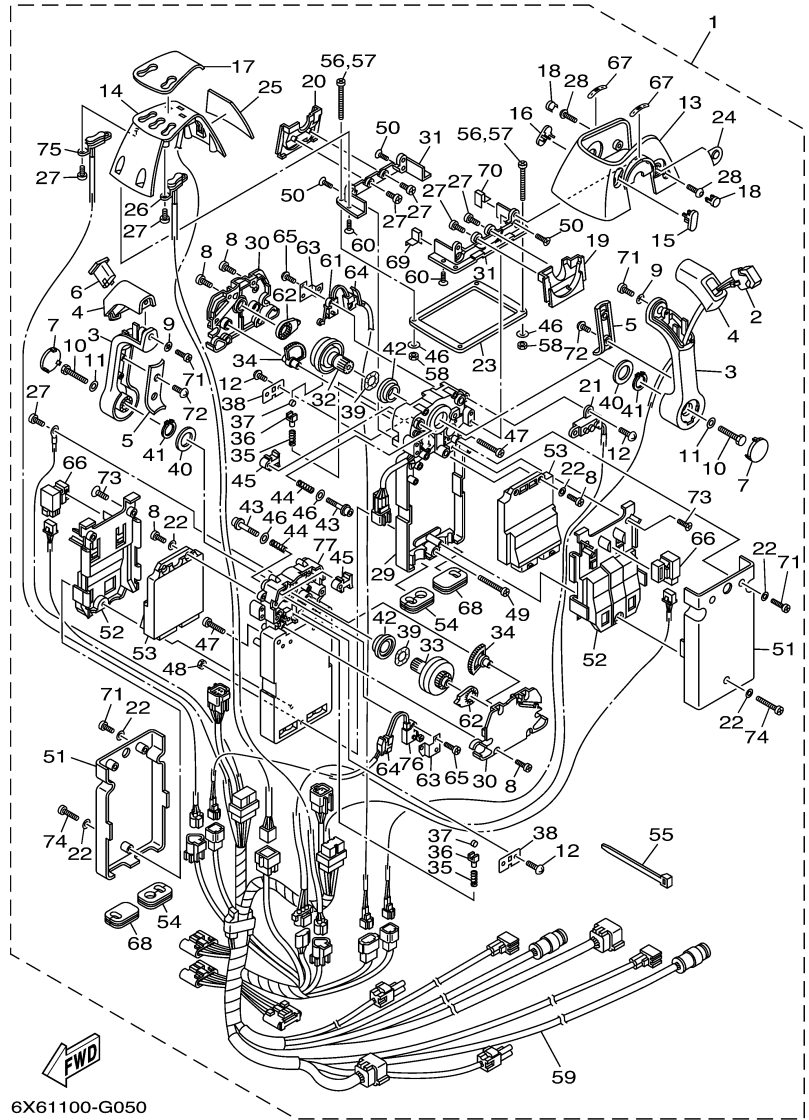
6X61100-G040

Part List

DEC_BINNACLE_CONTROL 0507 / DEC REMOTE CONTROL 1 (SINGLE)

REF - NO	PART NUMBER	PART NAME	QUANTITY	REMARKS
1	6X6-48205-00-00	REMOTE CONTROL ASSY (SINGLE)	1	ORDER FROM O/B SALES
1	6X6-48205-10-00	REMOTE CONTROL ASSY	1	ORDER FROM O/B SALES
1	6X6-48205-20-00	REMOTE CONTROL ASSY	1	ORDER FROM O/B SALES
2	6X6-82563-00-00	.TRIM & TILT SWITCH ASSY	1	
3	6X6-48221-00-00	.LEVER, CONTROL	1	
4	6X6-48222-00-00	.GRIP, CONTROL LEVER	1	
5	6X6-48224-00-00	.COVER, CONTROL LEVER	1	
6	6X6-48224-10-00	.COVER, CONTROL LEVER	1	
7	98580-05014-00	.SCREW, PAN HEAD	6	
8	92990-05300-00	.WASHER, INTERNAL TOOTH	1	
9	6X6-48171-00-00	.BOLT	1	
10	92990-08600-00	.WASHER, PLATE	1	
11	EL8-48127-00-00	.SCREW 1	4	
12	6X6-48119-00-00	.COVER	1	
13	6X6-84301-00-00	.PILOT LIGHT ASSY 1	1	
14	6X6-48167-00-00	.PLUG	1	
15	6X6-48215-00-00	.GRAPHIC	1	
16	6X6-48167-50-00	.PLUG	1	
17	6X6-48219-00-00	.COVER, LEAD	1	
18	6X6-8259E-00-00	.SWITCH ASSY	1	
19	92990-05200-00	.WASHER, PLAIN	5	
20	6X6-48176-00-00	.GROMMET	1	
21	6X6-48225-00-00	.COVER	1	
22	6X6-48216-00-00	.GRAPHIC	1	
23	98580-04010-00	.SCREW, PAN HEAD	3	
24	92D80-05016-00	.BOLT, SOCKET HEAD	2	
25	6X6-481A0-01-00	.REMO-CON CASE ASSY	1	
26	6X6-48212-00-00	.BACK PLATE 1	1	
27	6X6-48144-10-00	.PLATE, STOPPER 2	1	
28	6X6-48242-01-00	.SHAFT, DRIVE	1	
29	6X6-48233-00-00	.GEAR 2	1	
30	6X6-48238-00-00	.SPRING, DETENT	1	
31	6X6-48237-00-00	.ADAPTOR	1	
32	6X6-48236-00-00	.ROLLER, DETENT	1	
33	6X6-48189-00-00	.RETAINER	1	
34	703-48198-00-00	.WASHER, WAVE	1	
35	6X6-48193-00-00	.WASHER 3	1	
36	6X6-48118-00-00	.CLIP, SHIFT LEVER	1	
37	6X6-48234-00-00	.BUSHING 1	1	
38	6X6-48267-00-00	.BOLT SET	1	
39	6X6-48158-00-00	.SPRING 1	1	
40	6X6-48264-00-00	.FRICTION, THROTTLE	1	
41	704-48287-00-00	.WASHER	5	
42	6X6-81145-00-00	.SCREW 1	1	
43	98780-05014-00	.SCREW, FLAT HEAD	4	
44	6X6-48213-00-00	.BACK PLATE 2	1	
45	6X6-48228-00-00	.HOLDER, SWITCH	1	
46	6X6-85590-10-00	..CONTROL UNIT ASSY	1	
46	6X6-85590-00-00	.CONTROL UNIT ASSY	1	2 STATION
47	6X6-48175-00-00	..BOOT	1	
47	6X6-48175-00-00	.BOOT	2	2 STATION
48	703-82591-00-00	..BAND	3	

48	703-82591-00-00	.BAND	4	2 STATION
49	97780-50145-00	.SCREW, TAPPING	4	
50	98580-05060-00	.SCREW, PAN HEAD	4	
51	95380-05600-00	.NUT	4	
52	6X6-82590-20-00	.WIRE HARNESS ASSY	1	2 STATION MAIN HELM
52	6X6-82590-00-00	..WIRE HARNESS ASSY	1	
52	6X6-82590-50-00	..WIRE HARNESS ASSY	1	2 STATION 2ND HELM
53	6X6-48144-00-00	.PLATE, STOPPER 2	1	
54	6X6-48129-00-00	.SCREW 3	2	
55	6X6-82540-00-00	.NEUTRAL SWITCH ASSY	1	
56	6X6-48241-00-00	.ARM, DRIVE	1	
57	6X6-48245-01-00	.PLATE, LOCK	1	
58	6X6-82545-00-00	.GROMMET	1	
59	6X6-8252V-00-00	.SCREW, SPECIAL	2	
60	704-81950-10-00	.RELAY ASSY	1	
61	6X6-44191-00-00	.INDICATOR, SHIFT	1	
62	6X6-48175-10-00	..BOOT	1	
63	6X6-48176-50-00	.GROMMET	1	
64	6X6-48176-60-00	.GROMMET	1	
65	6X6-48127-00-00	.SCREW 1	3	
66	6X6-48128-00-00	.SCREW 2	2	
67	6X6-81146-00-00	.SCREW 2	2	



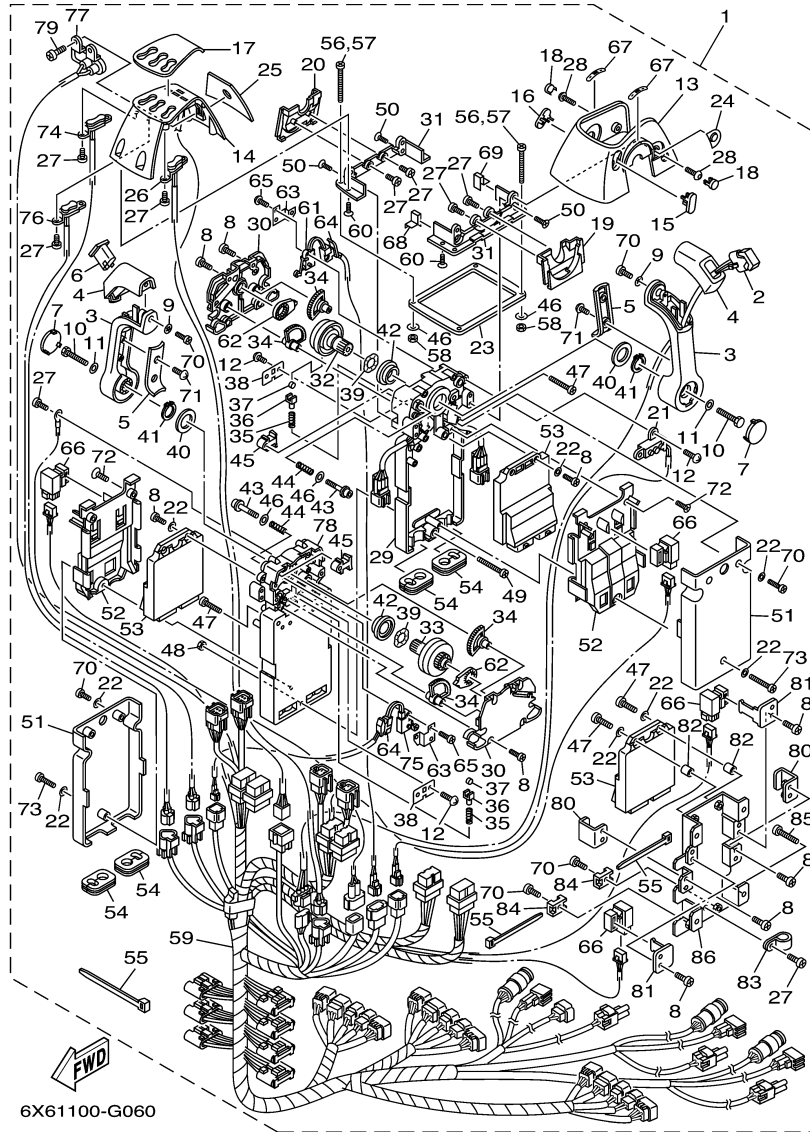
6X61100-G050

Part List

DEC_BINNACLE_CONTROL 0507 / DEC REMOTE CONTROL 2 (TWIN)

REF - NO	PART NUMBER	PART NAME	QUANTITY	REMARKS
1	6X6-48207-00-00	REMOTE CONTROL ASSY (TWIN)	1	ORDER FROM O/B SALES
1	6X6-48207-10-00	REMOTE CONTROL ASSY	1	ORDER FROM O/B SALES
1	6X6-48207-20-00	REMOTE CONTROL ASSY	1	ORDER FROM O/B SALES
2	6X6-82563-00-00	.TRIM & TILT SWITCH ASSY	1	
3	6X6-48221-00-00	.LEVER, CONTROL	2	
4	6X6-48222-00-00	.GRIP, CONTROL LEVER	2	
5	6X6-48224-00-00	.COVER, CONTROL LEVER	2	
6	6X6-48222-10-00	.GRIP, CONTROL LEVER	1	
7	6X6-48224-10-00	.COVER, CONTROL LEVER	2	
8	98580-05014-00	.SCREW, PAN HEAD	12	
9	92990-05300-00	.WASHER, INTERNAL TOOTH	2	
10	6X6-48171-00-00	.BOLT	2	
11	92990-08600-00	.WASHER, PLATE	2	
12	EL8-48127-00-00	.SCREW 1	6	
13	6X6-48119-10-00	.COVER	1	
14	6X6-84301-10-00	.PILOT LIGHT ASSY 1	1	
15	6X6-48167-10-00	.PLUG	1	
16	6X6-48167-20-00	.PLUG	1	
17	6X6-48215-10-00	.GRAPHIC	1	
18	6X6-48167-60-00	.PLUG	2	
19	6X6-48219-10-00	.COVER, LEAD	1	
20	6X6-48219-20-00	.COVER, LEAD	1	
21	6X6-8259E-00-00	.SWITCH ASSY	1	
22	92990-05200-00	.WASHER, PLAIN	10	
23	6X6-48176-10-00	.GROMMET	1	
24	6X6-48225-00-00	.COVER	1	
25	6X6-48216-10-00	.GRAPHIC	1	
26	6X6-82563-10-00	.TRIM & TILT SWITCH ASSY	1	
27	98580-04010-00	.SCREW, PAN HEAD	9	
28	92D80-05016-00	.BOLT, SOCKET HEAD	2	
29	6X6-481A0-01-00	.REMO-CON CASE ASSY	1	
30	6X6-48212-00-00	.BACK PLATE 1	2	
31	6X6-48144-10-00	.PLATE, STOPPER 2	2	
32	6X6-48242-01-00	.SHAFT, DRIVE	1	
33	6X6-48242-11-00	.SHAFT, DRIVE	1	
34	6X6-48233-00-00	.GEAR 2	2	
35	6X6-48238-00-00	.SPRING, DETENT	2	
36	6X6-48237-00-00	.ADAPTOR	2	
37	6X6-48236-00-00	.ROLLER, DETENT	2	
38	6X6-48189-00-00	.RETAINER	2	
39	703-48198-00-00	.WASHER, WAVE	2	
40	6X6-48193-00-00	.WASHER 3	2	
41	6X6-48118-00-00	.CLIP, SHIFT LEVER	2	
42	6X6-48234-00-00	.BUSHING 1	2	
43	6X6-48267-00-00	.BOLT SET	2	
44	6X6-48158-00-00	.SPRING 1	2	
45	6X6-48264-00-00	.FRICTION, THROTTLE	2	
46	704-48287-00-00	.WASHER	6	
47	98580-05025-00	.SCREW, PAN HEAD	2	
48	704-48156-00-00	.NUT 1	1	
49	704-48283-00-00	.SCREW	1	
50	98780-05014-00	.SCREW, FLAT HEAD	4	

51	6X6-48213-00-00	.BACK PLATE 2	2	
52	6X6-48228-00-00	.HOLDER, SWITCH	2	
53	6X6-85590-10-00	.CONTROL UNIT ASSY	2	
53	6X6-85590-00-00	.CONTROL UNIT ASSY	2	2 STATION
54	6X6-48175-00-00	.BOOT	2	
54	6X6-48175-00-00	.BOOT	4	2 STATION
55	703-82591-00-00	.BAND	6	
55	703-82591-00-00	.BAND	8	2 STATION
56	97780-50145-00	.SCREW, TAPPING	4	
57	98580-05060-00	.SCREW, PAN HEAD	4	
58	95380-05600-00	.NUT	4	
59	6X6-82590-10-00	..WIRE HARNESS ASSY	1	
59	6X6-82590-30-00	.WIRE HARNESS ASSY	1	2 STATION MAIN HELM
59	6X6-82590-60-00	..WIRE HARNESS ASSY	1	2 STATION 2ND HELM
60	6X6-48129-00-00	.SCREW 3	4	
61	6X6-82540-00-00	.NEUTRAL SWITCH ASSY	1	
62	6X6-48241-00-00	.ARM, DRIVE	2	
63	6X6-48245-01-00	.PLATE, LOCK	2	
64	6X6-82545-00-00	.GROMMET	2	
65	6X6-8252V-00-00	.SCREW, SPECIAL	4	
66	704-81950-10-00	.RELAY ASSY	2	
67	6X6-44191-00-00	.INDICATOR, SHIFT	2	
68	6X6-48175-10-00	.BOOT	2	
69	6X6-48176-50-00	.GROMMET	1	
70	6X6-48176-60-00	.GROMMET	1	
71	6X6-48127-00-00	.SCREW 1	6	
72	6X6-48128-00-00	.SCREW 2	4	
73	6X6-81146-00-00	.SCREW 2	4	
74	6X6-81145-00-00	.SCREW 1	2	
75	6X6-82563-20-00	.TRIM & TILT SWITCH ASSY	1	
76	6X6-82540-10-00	.NEUTRAL SWITCH ASSY	1	
77	6X6-481A0-21-00	.REMO-CON CASE ASSY	1	



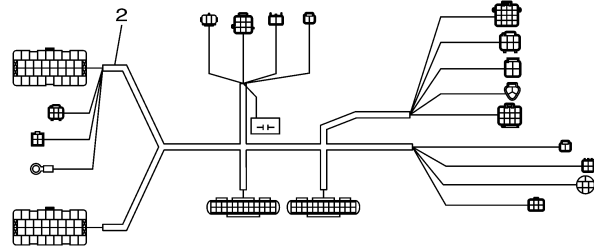
Part List

DEC_BINNACLE_CONTROL 0507 / DEC REMOTE CONTROL 3 (TRIPLE)

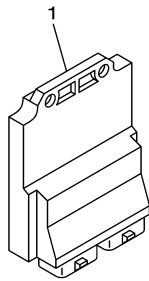
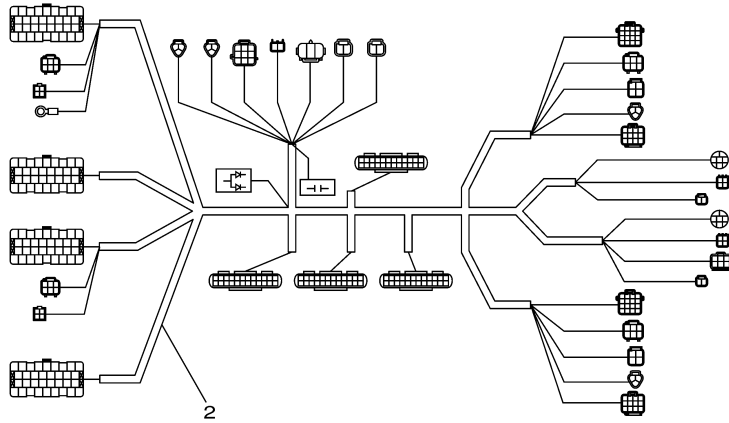
REF - NO	PART NUMBER	PART NAME	QUANTITY	REMARKS
1	6X6-48208-20-00	REMOTE CONTROL ASSY	1	ORDER FROM O/B SALES
1	6X6-48208-30-00	REMOTE CONTROL ASSY	1	ORDER FROM O/B SALES
2	6X6-82563-00-00	.TRIM & TILT SWITCH ASSY	1	
3	6X6-48221-00-00	.LEVER, CONTROL	2	
4	6X6-48222-00-00	.GRIP, CONTROL LEVER	2	
5	6X6-48224-00-00	.COVER, CONTROL LEVER	2	
6	6X6-48222-10-00	.GRIP, CONTROL LEVER	1	
7	6X6-48224-10-00	.COVER, CONTROL LEVER	2	
8	98580-05014-00	.SCREW, PAN HEAD	20	
9	92990-05300-00	.WASHER, INTERNAL TOOTH	2	
10	6X6-48171-00-00	.BOLT	2	
11	92990-08600-00	.WASHER, PLATE	2	
12	EL8-48127-00-00	.SCREW 1	6	
13	6X6-48119-10-00	.COVER	1	
14	6X6-84301-20-00	.PILOT LIGHT ASSY 1	1	
15	6X6-48167-10-00	.PLUG	1	
16	6X6-48167-20-00	.PLUG	1	
17	6X6-48215-20-00	.GRAPHIC	1	
18	6X6-48167-60-00	.PLUG	2	
19	6X6-48219-10-00	.COVER, LEAD	1	
20	6X6-48219-20-00	.COVER, LEAD	1	
21	6X6-8259E-00-00	.SWITCH ASSY	1	
22	92990-05200-00	.WASHER, PLAIN	12	
23	6X6-48176-10-00	.GROMMET	1	
24	6X6-48225-00-00	.COVER	1	
25	6X6-48216-20-00	.GRAPHIC	1	
26	6X6-82563-10-00	.TRIM & TILT SWITCH ASSY	1	
27	98580-04010-00	.SCREW, PAN HEAD	12	
28	92D80-05016-00	.BOLT, SOCKET HEAD	2	
29	6X6-481A0-11-00	.REMO-CON CASE ASSY	1	
30	6X6-48212-00-00	.BACK PLATE 1	2	
31	6X6-48144-10-00	.PLATE, STOPPER 2	2	
32	6X6-48242-01-00	.SHAFT, DRIVE	1	
33	6X6-48242-11-00	.SHAFT, DRIVE	1	
34	6X6-48233-00-00	.GEAR 2	4	
35	6X6-48238-00-00	.SPRING, DETENT	2	
36	6X6-48237-00-00	.ADAPTOR	2	
37	6X6-48236-00-00	.ROLLER, DETENT	2	
38	6X6-48189-00-00	.RETAINER	2	
39	703-48198-00-00	.WASHER, WAVE	2	
40	6X6-48193-00-00	.WASHER 3	2	
41	6X6-48118-00-00	.CLIP, SHIFT LEVER	2	
42	6X6-48234-00-00	.BUSHING 1	2	
43	6X6-48267-00-00	.BOLT SET	2	
44	6X6-48158-00-00	.SPRING 1	2	
45	6X6-48264-00-00	.FRICTION, THROTTLE	2	
46	704-48287-00-00	.WASHER	6	
47	98580-05025-00	.SCREW, PAN HEAD	4	
48	704-48156-00-00	.NUT 1	1	
49	704-48283-00-00	.SCREW	1	
50	98780-05014-00	.SCREW, FLAT HEAD	4	
51	6X6-48213-00-00	.BACK PLATE 2	2	

52	6X6-48228-00-00	.HOLDER, SWITCH	2	
53	6X6-85590-00-00	.CONTROL UNIT ASSY	3	
54	6X6-48175-00-00	.BOOT	4	
55	703-82591-00-00	.BAND	10	
56	97780-50145-00	.SCREW, TAPPING	4	
57	98580-05060-00	.SCREW, PAN HEAD	4	
58	95380-05600-00	.NUT	4	
59	6X6-82590-80-00	..WIRE HARNESS ASSY	1	2 STATION MAIN HELM
59	6X6-82590-90-00	..WIRE HARNESS ASSY	1	2 STATION 2ND HELM
60	6X6-48129-00-00	.SCREW 3	4	
61	6X6-82540-00-00	.NEUTRAL SWITCH ASSY	1	
62	6X6-48241-00-00	.ARM, DRIVE	2	
63	6X6-48245-01-00	.PLATE, LOCK	2	
64	6X6-82545-00-00	.GROMMET	2	
65	6X6-8252V-00-00	.SCREW, SPECIAL	4	
66	704-81950-10-00	.RELAY ASSY	4	
67	6X6-44191-00-00	.INDICATOR, SHIFT	2	
68	6X6-48176-50-00	.GROMMET	1	
69	6X6-48176-60-00	.GROMMET	1	
70	6X6-48127-00-00	.SCREW 1	8	
71	6X6-48128-00-00	.SCREW 2	4	
72	6X6-81146-00-00	.SCREW 2	4	
73	6X6-81145-00-00	.SCREW 1	2	
74	6X6-82563-20-00	.TRIM & TILT SWITCH ASSY	1	
75	6X6-82540-10-00	.NEUTRAL SWITCH ASSY	1	
76	6X6-82563-30-00	.TRIM & TILT SWITCH ASSY	1	
77	6X6-8259F-00-00	.SWITCH ASSY	1	
78	6X6-481A0-31-00	.REMO-CON CASE ASSY	1	
79	98780-05010-00	.SCREW, FLAT HEAD	2	
80	6X6-85557-00-00	.HOLDER	2	
81	6X6-82591-00-00	.BAND	2	
82	6X6-8252S-00-00	.SPACER, 1	2	
83	6X6-82584-00-00	.CLAMP	1	
84	6X6-82581-00-00	.STAY, CORD CLAMP	2	
85	6X0-48128-00-00	.SCREW(M6X30)	4	
86	6X6-48211-10-00	.HOUSING,1	1	

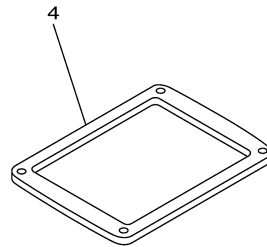
6X6-82590-20 (Single type-Dual station)



6X6-82590-30 (Twin type-Dual station)



6X61100-G070

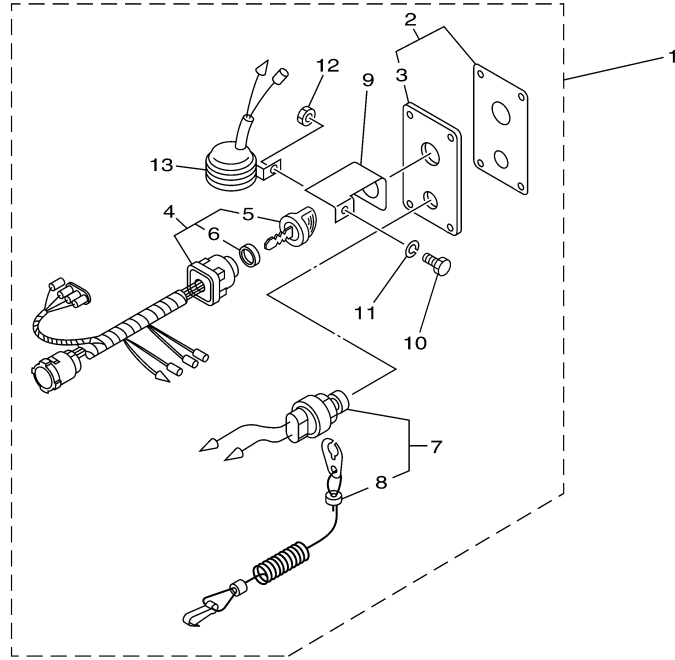


(Twin type-Dual station)

Part List

DEC_BINNACLE_CONTROL 0507 / ELECTRICAL DEC REMOTE CONTROL

REF - NO	PART NUMBER	PART NAME	QUANTITY	REMARKS
1	6X6-85590-00-00	CONTROL UNIT ASSY	1	SINGLE, 2 STATION MAIN HELM
1	6X6-85590-00-00	CONTROL UNIT ASSY	2	TWIN, 2 STATION MAIN HELM
2	6X6-82590-20-00	WIRE HARNESS ASSY	1	SINGLE, 2 STATION MAIN HELM
2	6X6-82590-30-00	WIRE HARNESS ASSY	1	TWIN, 2 STATION MAIN HELM
3	703-82591-00-00	.BAND	4	SINGLE, 2 STATION MAIN HELM
3	703-82591-00-00	.BAND	8	TWIN, 2 STATION MAIN HELM
4	6X6-48176-10-00	GROMMET	1	TWIN, 2 STATION MAIN HELM




Part List

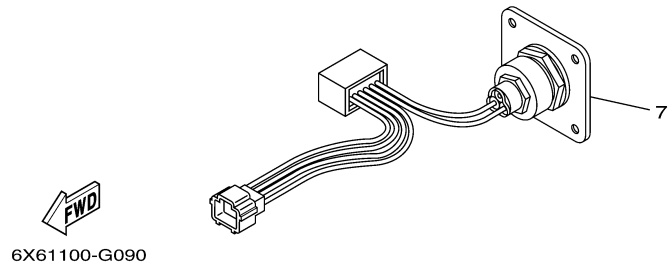
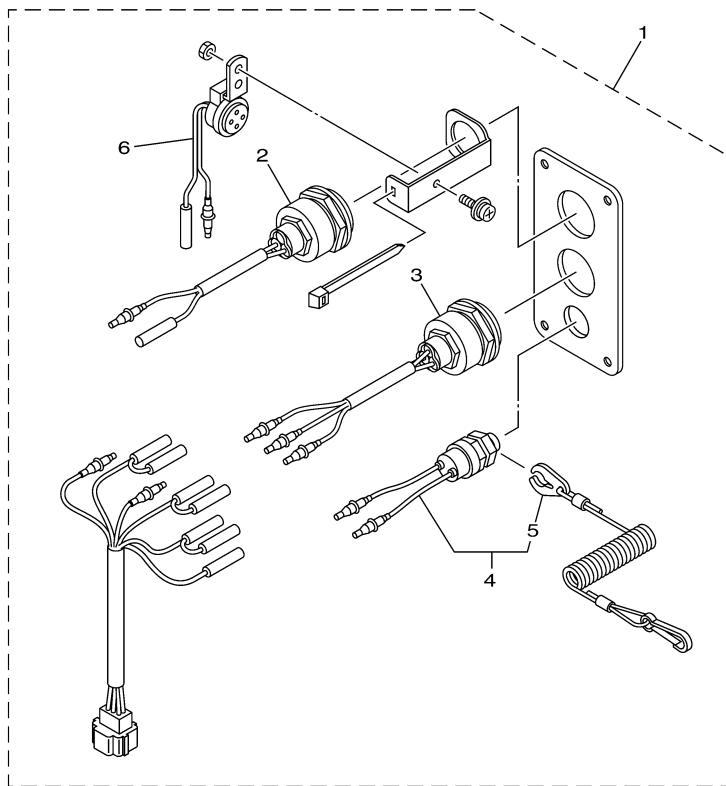
DEC_BINNACLE_CONTROL 0507 / SWITCH & PANEL 1 (SINGLE)

REF - NO	PART NUMBER	PART NAME	QUANTITY	REMARKS
1	704-82570-08-00	PANEL SWITCH ASSY	1	1 OR 2 STATION MAIN HELM
2	704-82571-02-00	.PANEL, SWITCH	1	
3	6R5-82588-01-00	..PLATE	1	
4	704-82510-07-00	..MAIN SWITCH ASSY	1	
5	703-82577-00-00CAP, KEY	1	
6	6K1-82532-00-00	..CAP	1	
7	688-82575-01-00	..ENGINE STOP SWITCH ASSY	1	
8	682-82556-00-00LANYARD, STOP SWITCH	1	
9	64D-82581-00-00	..STAY, CORD CLAMP	1	
10	97303-05012-00	..BOLT	1	
11	92903-05100-00	..WASHER, SPRING	1	
12	95303-05700-00	..NUT	1	
13	688-83383-11-00	..BUZZER	1	

Part Notes

DEC_BINNACLE_CONTROL 0507 / SWITCH & PANEL 1 (SINGLE)

PART NUMBER	NOTE TEXT
682-82556-00-00 	OEM: This part number is among the Top 100 Most Popular Marine Maintenance Parts as of February 2013.



6X61100-G090


Part List

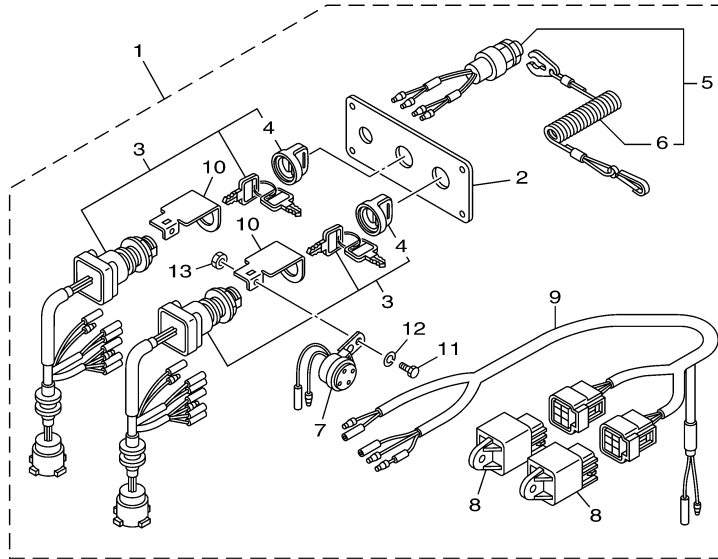
DEC_BINNACLE_CONTROL 0507 / SWITCH & PANEL 2 (SINGLE) 2ND HELM

REF - NO	PART NUMBER	PART NAME	QUANTITY	REMARKS
1	6X6-82570-00-00	PANEL SWITCH ASSY (SINGLE)	1	2 STATION 2ND HELM
2	6X1-81870-00-00	.STARTING SWITCH ASSY	1	
3	6X1-82550-00-00	.ENGINE STOP SWITCH ASSY	1	
4	688-82575-01-00	.ENGINE STOP SWITCH ASSY	1	
5	682-82556-00-00	..LANYARD, STOP SWITCH	1	
6	6R5-83383-00-00	.BUZZER	1	
7	6X6-82570-A0-00	PANEL SWITCH ASSY	2	2 STATION 2ND HELM

Part Notes

DEC_BINNACLE_CONTROL 0507 / SWITCH & PANEL 2 (SINGLE) 2ND HELM

PART NUMBER	NOTE TEXT
682-82556-00-00 	OEM: This part number is among the Top 100 Most Popular Marine Maintenance Parts as of February 2013.



6X61100-G100


Part List

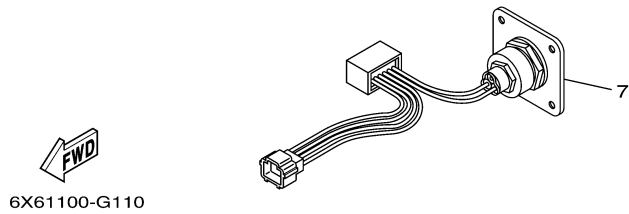
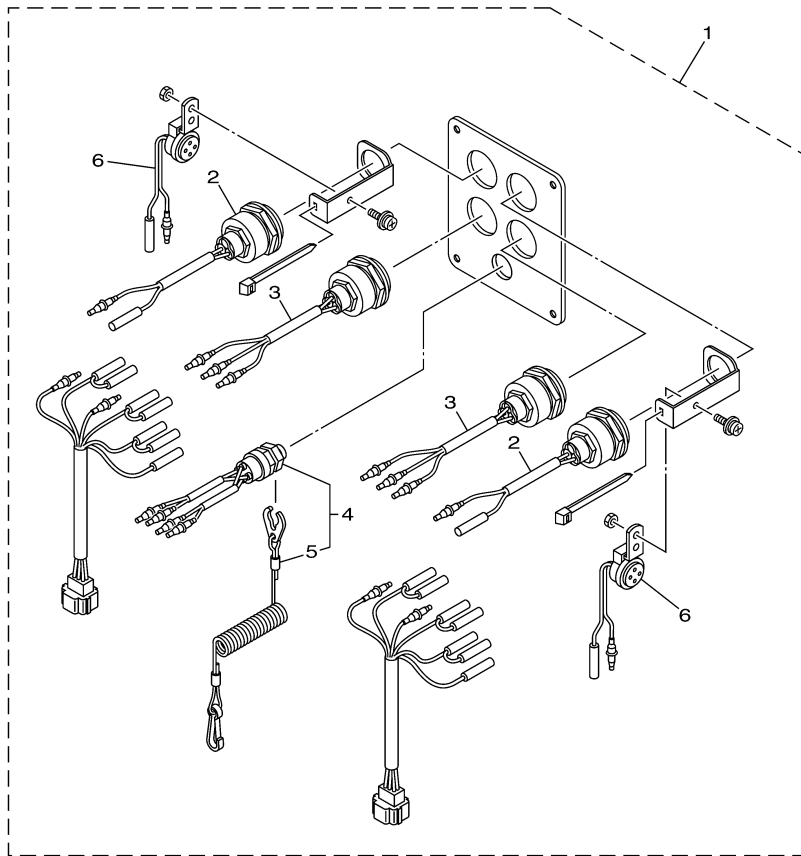
DEC_BINNACLE_CONTROL 0507 / SWITCH & PANEL 3 (TWIN) MAIN HELM

REF - NO	PART NUMBER	PART NAME	QUANTITY	REMARKS
1	6Y8-82570-02-00	PANEL SW., TWIN	1	1 OR 2 STATION MAIN HELM
2	6Y8-82571-01-00	.PLATE, PANEL SWITCH	1	
3	6Y8-82510-02-00	.MAIN SWITCH ASSY	2	
4	676-82577-00-00	..CAP, KEY	1	
5	6K1-82575-00-00	.ENGINE STOP SWITCH ASSY	1	
6	682-82556-00-00	..LANYARD, STOP SWITCH	1	
7	6R5-83383-00-00	.BUZZER	2	
8	68V-81950-00-00	.RELAY ASSY	2	
9	6Y8-82507-00-00	.LEAD, IGNITION SWITCH RELAY	1	
10	64D-82581-00-00	.STAY, CORD CLAMP	2	
11	97303-05012-00	.BOLT	2	
12	92903-05100-00	.WASHER, SPRING	2	
13	95303-05700-00	.NUT	2	

Part Notes

DEC_BINNACLE_CONTROL 0507 / SWITCH & PANEL 3 (TWIN) MAIN HELM

PART NUMBER	NOTE TEXT
682-82556-00-00 	OEM: This part number is among the Top 100 Most Popular Marine Maintenance Parts as of February 2013.




6X61100-G110


Part List

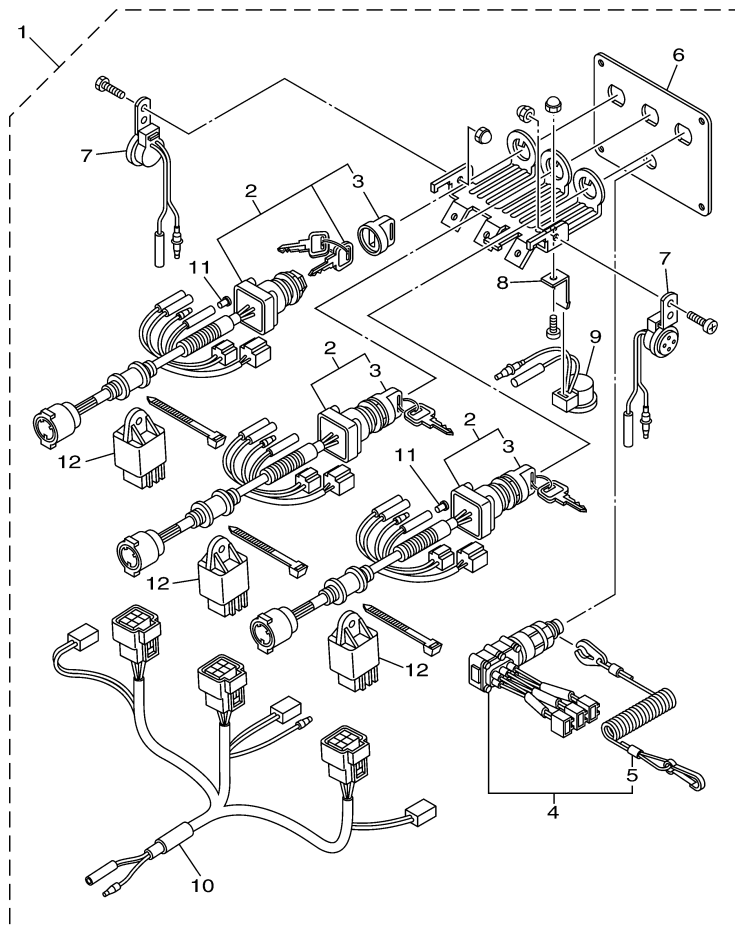
DEC_BINNACLE_CONTROL 0507 / SWITCH & PANEL 4 (TWIN) 2ND HELM

REF - NO	PART NUMBER	PART NAME	QUANTITY	REMARKS
1	6X6-82570-10-00	PANEL SWITCH ASSY (TWIN)	1	2 STATION 2ND HELM
2	6X1-81870-00-00	.STARTING SWITCH ASSY	2	
3	6X1-82550-00-00	.ENGINE STOP SWITCH ASSY	2	
4	6K1-82575-00-00	.ENGINE STOP SWITCH ASSY	1	
5	682-82556-00-00	..LANYARD, STOP SWITCH	1	
6	6R5-83383-00-00	.BUZZER	2	
7	6X6-82570-A0-00	PANEL SWITCH ASSY	2	2 STATION 2ND HELM

Part Notes

DEC_BINNACLE_CONTROL 0507 / SWITCH & PANEL 4 (TWIN) 2ND HELM

PART NUMBER	NOTE TEXT
682-82556-00-00 	OEM: This part number is among the Top 100 Most Popular Marine Maintenance Parts as of February 2013.



6X61100-G120


Part List

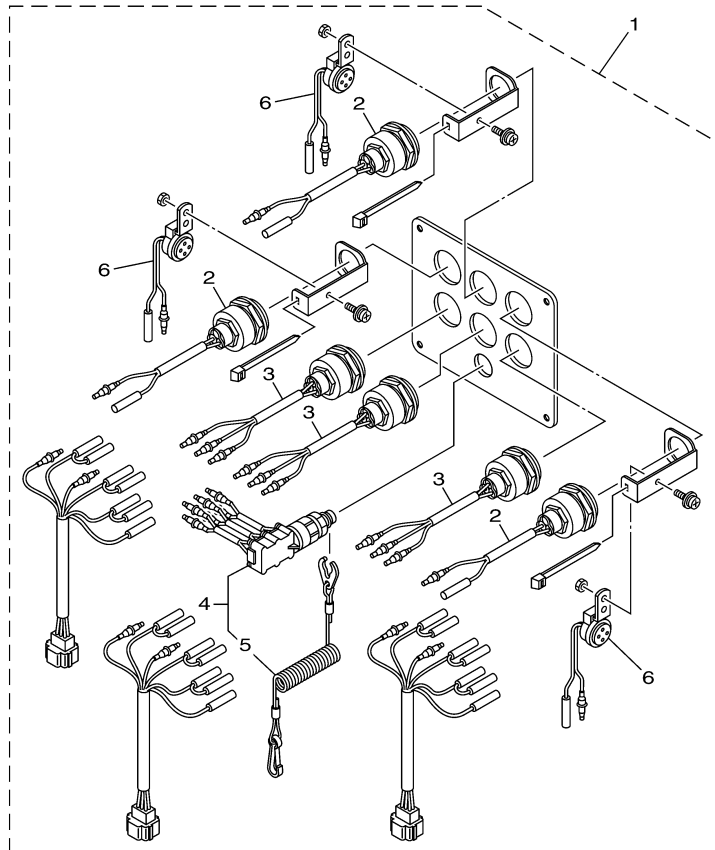
DEC_BINNACLE_CONTROL 0507 / SWITCH & PANEL 5 (TRIPLE) MAIN HELM

REF - NO	PART NUMBER	PART NAME	QUANTITY	REMARKS
1	6X5-82570-01-00	PANEL SWITCH ASSY	1	1 OR 2 STATION MAIN HELM
2	6X5-82510-01-00	.MAIN SWITCH ASSY	3	
3	676-82577-00-00	..CAP, KEY	1	
4	6X5-82575-00-00	.ENGINE STOP SWITCH ASSY	1	
5	682-82556-00-00	..LANYARD, STOP SWITCH	1	
6	6X5-82571-00-00	.PANEL, SWITCH	1	
7	6X5-83383-00-00	.BUZZER	2	
8	6X5-82581-00-00	.STAY, CORD CLAMP	1	
9	6X4-83383-00-00	.BUZZER	1	
10	6X5-82507-00-00	.WIRE, LEAD	1	
11	703-82119-00-00	.COVER, LEAD WIRE	5	
12	68V-81950-00-00	.RELAY ASSY	3	

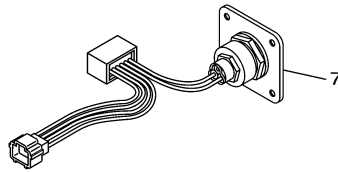
Part Notes

DEC_BINNACLE_CONTROL 0507 / SWITCH & PANEL 5 (TRIPLE) MAIN HELM

PART NUMBER	NOTE TEXT
682-82556-00-00 	OEM: This part number is among the Top 100 Most Popular Marine Maintenance Parts as of February 2013.




6X61100-G130




Part List

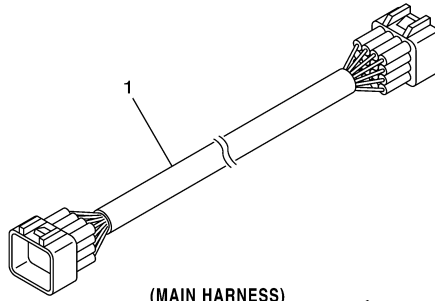
DEC_BINNACLE_CONTROL 0507 / SWITCH & PANEL 6 (TRIPLE) 2ND HELM

REF - NO	PART NUMBER	PART NAME	QUANTITY	REMARKS
1	6X6-82570-20-00	PANEL SWITCH ASSY	1	2 STATION 2ND HELM
2	6X1-81870-00-00	.STARTING SWITCH ASSY	3	
3	6X1-82550-00-00	.ENGINE STOP SWITCH ASSY	3	
4	6X6-82575-00-00	.ENGINE STOP SWITCH ASSY	1	
5	682-82556-00-00	..LANYARD, STOP SWITCH	1	
6	6R5-83383-00-00	.BUZZER	3	
7	6X6-82570-A0-00	PANEL SWITCH ASSY	2	2 STATION 2ND HELM

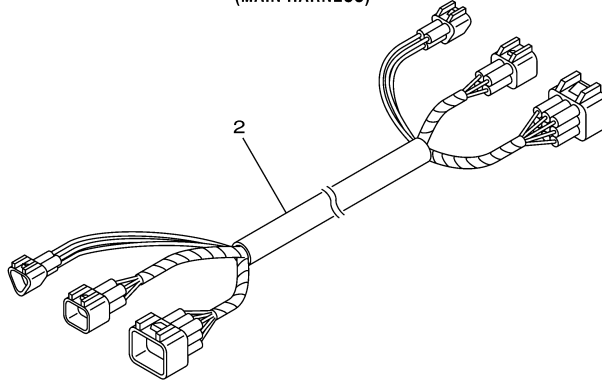
Part Notes

DEC_BINNACLE_CONTROL 0507 / SWITCH & PANEL 6 (TRIPLE) 2ND HELM

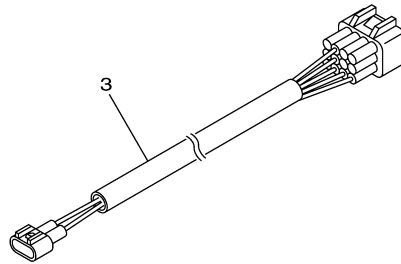
PART NUMBER	NOTE TEXT
682-82556-00-00 	OEM: This part number is among the Top 100 Most Popular Marine Maintenance Parts as of February 2013.



(MAIN HARNESS)



(Main Helm - 2nd Helm HARNESS)
PRIMARY



(Main Helm - 2nd Helm HARNESS)
SECONDARY

6X61100-G140

Part List

DEC_BINNACLE_CONTROL 0507 / ELECTRICAL WIRE HARNESS

REF - NO	PART NUMBER	PART NAME	QUANTITY	REMARKS
1	6X6-8258A-10-00	EXTENSION, WIRE HARNESS (7M)	1	ENGINE TO CONTROL
1	6X6-8258A-20-00	EXTENSION, WIRE HARNESS (8M)	1	ENGINE TO CONTROL
1	6X6-8258A-30-00	EXTENSION, WIRE HARNESS (10M)	1	ENGINE TO CONTROL
1	6X6-8258A-40-00	EXTENSION, WIRE HARNESS (12M)	1	ENGINE TO CONTROL
1	6X6-8258A-00-00	EXTENSION, WIRE HARNESS (6.1M)	1	ENGINE TO CONTROL
2	6X6-8258A-A0-00	EXTENSION, WIRE HARNESS (5M)	1	MAIN TO 2ND HELM
2	6X6-8258A-E0-00	EXTENSION, WIRE HARNESS (12.2M)	1	MAIN TO 2ND HELM
2	6X6-8258A-C0-00	EXTENSION, WIRE HARNESS (8M)	1	MAIN TO 2ND HELM
3	6X6-8258A-D0-00	EXTENSION, WIRE HARNESS (8M)	1	MAIN TO 2ND HELM
3	6X6-8258A-B0-00	EXTENSION, WIRE HARNESS (5M)	1	MAIN TO 2ND HELM
3	6X6-8258A-F0-00	EXTENSION, WIRE HARNESS (12.2M)	1	MAIN TO 2ND HELM