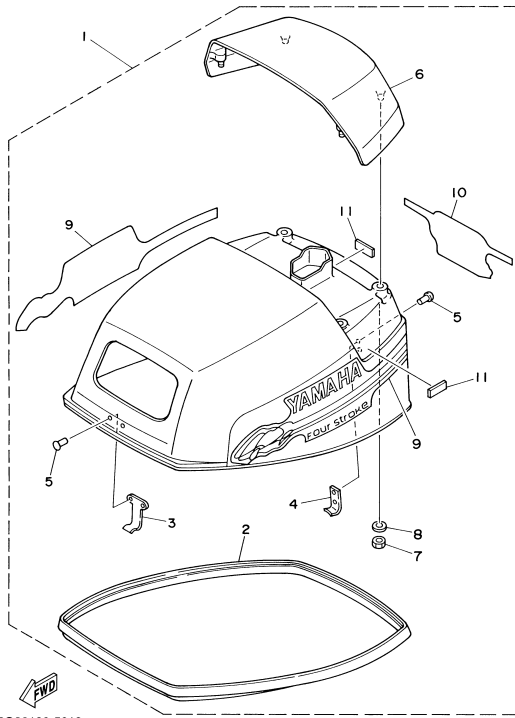


T9.9EXHZ 2001 / TOP COWLING



 6GB0100-5010

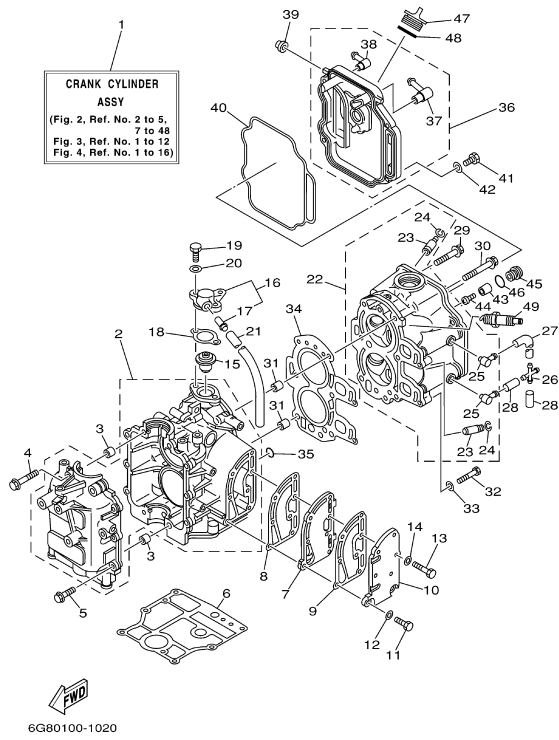
©2014 Yamaha Motor Corporation, U.S.A. All rights reserved.

## Part List

T9.9EXHZ 2001 / TOP COWLING

REF - NO	PART NUMBER	PART NAME	QUANTITY	REMARKS
1	6G8-42610-51-4D	TOP COWLING ASSY	1	
2	6G8-42615-01-00	.SEAL	1	
3	6G8-42651-00-00	.HOOK	1	
4	6G8-42652-00-00	.HOOK	1	
5	90266-04M04-00	.RIVET	4	
6	6G8-42613-01-4D	.MOLDING, AIR DUCT	1	
7	95303-06700-00	.NUT	4	
8	92903-06200-00	.WASHER, PLAIN	4	
9	6G9-W0070-13-00	.GRAPHIC SET	1	
10	6G8-42678-51-00	.GRAPHIC, REAR	1	
11	6G8-42662-00-00	.DAMPER	3	

T9.9EXHZ 2001 / CYLINDER CRANKCASE

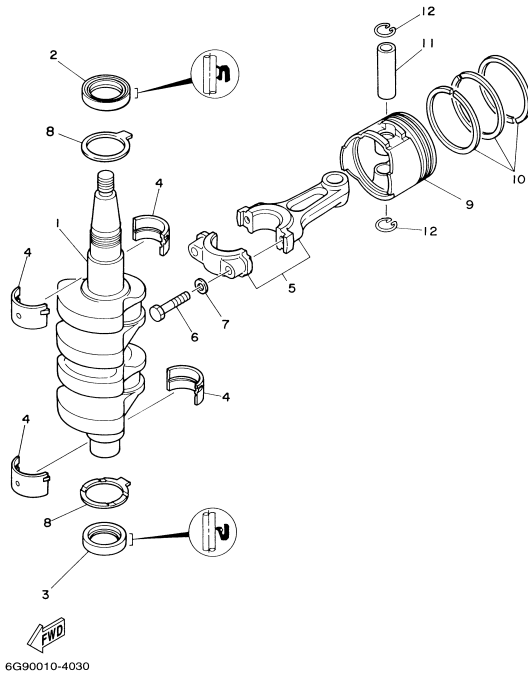


## Part List

T9.9EXHZ 2001 / CYLINDER CRANKCASE

REF - NO	PART NUMBER	PART NAME	QUANTITY	REMARKS
1	6G8-W0090-34-1S	CRANK CYLINDER ASSY	1	
2	6G8-15100-05-1S	CRANKCASE ASSY	1	
3	99510-10114-00	PIN, DOWEL	2	
4	90119-08M18-00	BOLT, WITH WASHER	4	
5	90119-06M12-00	BOLT, WITH WASHER	6	
6	6G8-11351-A0-00	GASKET, CYLINDER	1	
7	6G8-41111-02-1S	INNER COVER, EXHAUST	1	
8	6G8-41112-02-00	GASKET, EXHAUST INNER COVER	1	
9	6G8-41114-00-00	GASKET, EXHAUST OUTER COVER	1	
10	6G8-41113-10-1S	OUTER COVER, EXHAUST	1	
11	97013-06025-00	BOLT	2	
12	92903-06600-00	WASHER, PLATE	2	
13	97013-06030-00	BOLT	5	
14	92903-06600-00	WASHER, PLATE	5	
15	6G8-12411-02-00	THERMOSTAT	1	
16	6G8-12413-00-1S	COVER, THERMOSTAT	1	
17	6E5-24377-00-00	.PIPE, JOINT 2	1	
18	6G8-12414-A0-00	.GASKET, COVER	1	
19	97013-06020-00	BOLT	2	
20	92903-06600-00	WASHER, PLATE	2	
21	90445-11M66-00	.HOSE (L410)	1	
22	6G8-11111-03-1S	HEAD, CYLINDER 1	1	
23	6G8-11133-10-00	.GUIDE, VALVE 1	4	
24	93450-09M01-00	.CIRCLIP	4	
25	676-11372-00-00	.NIPPLE, HOSE	2	
26	6G9-24379-00-00	PIPE, JOINT 4	1	
27	6G8-12481-01-00	PIPE 1	1	
28	90445-09220-00	HOSE (L30)	2	
29	90105-08M37-00	BOLT, FLANGE	3	
30	90105-08M36-00	BOLT, FLANGE	3	
31	99510-10114-00	PIN, DOWEL	2	
32	97013-06035-00	BOLT	2	
33	92903-06600-00	WASHER, PLATE	2	
34	6G8-11181-A1-00	GASKET, CYLINDER HEAD 1	1	
35	93210-11M59-00	O-RING	1	
36	6G8-11191-01-1S	COVER, CYLINDER HEAD 1	1	
37	6G8-15373-00-00	.PIPE, BREATHER	1	
38	676-11372-00-00	.NIPPLE, HOSE	1	
39	6G8-81336-00-00	GROMMET	2	
40	6G8-11356-00-00	SEAL, CYLINDER 2	1	
41	97013-06020-00	BOLT	4	
42	92903-06600-00	WASHER, PLATE	4	
43	6G8-11325-00-00	ANODE	1	
44	97880-05025-00	SCREW, PAN HEAD	1	
45	6G8-11197-01-00	PLUG, BLIND	1	
46	93210-13M63-00	.O-RING	1	
47	6G8-15363-00-00	PLUG, OIL	1	
48	93210-24M79-00	.O-RING	1	
49	NGK-CR6HS-00-00	PLUG SPARK (NGK CR6HS)	2	

T9.9EXHZ 2001 / CRANKSHAFT PISTON



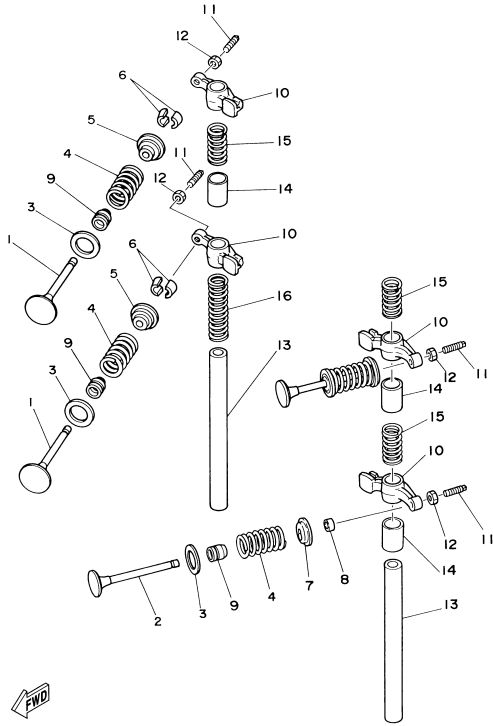
6G90010-4030

## Part List

T9.9EXHZ 2001 / CRANKSHAFT PISTON

REF - NO	PART NUMBER	PART NAME	QUANTITY	REMARKS
1	6G8-11411-04-00	CRANKSHAFT	1	
2	93102-30M22-00	.OIL SEAL	1	
3	93101-25M24-00	OIL SEAL	1	
4	6G8-11416-00-00	PLANE BEARING, CRANKSHAFT 1	4	UR BROWN
4	6G8-11416-20-00	PLANE BEARING, CRANKSHAFT 1	4	UR BLUE
4	6G8-11416-10-00	PLANE BEARING, CRANKSHAFT 1	4	UR BLACK
5	6G8-11650-03-00	CONNECTING ROD ASSY	2	
6	6G8-11654-00-00	BOLT, CONNECTING ROD	4	
7	90201-06M00-00	WASHER, PLATE	4	
8	6G8-11426-00-00	PLANE BEARING, CRANKSHAFT 1	2	
9	6G8-11631-03-96	PISTON (STD)	2	
9	6G8-11635-03-00	PISTON (0.25MM O/S)	2	AP
9	6G8-11636-03-00	PISTON (0.50MM O/S)	2	AP
10	6G8-11610-22-00	PISTON RING SET (0.50MM O/S)	2	AP
10	6G8-11610-12-00	PISTON RING SET (0.25MM O/S)	2	AP
10	6G8-11610-02-00	PISTON RING SET (STD)	2	
11	634-11633-00-00	PIN, PISTON	2	
12	93450-15023-00	CIRCLIP	4	

T9.9EXHZ 2001 / VALVE



FWD  
6G90010-4040

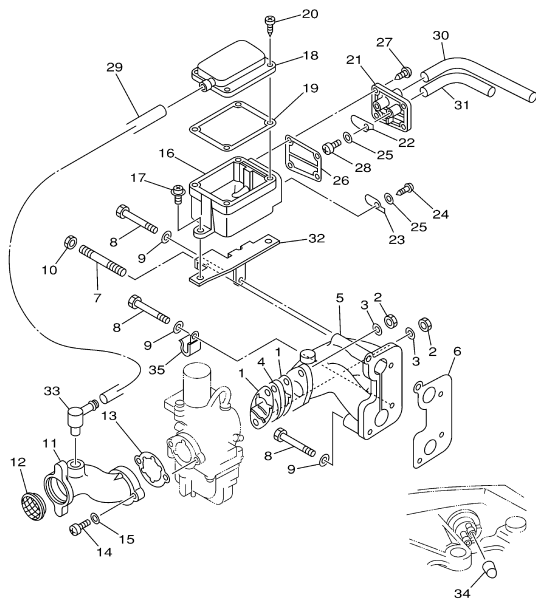
## Part List

T9.9EXHZ 2001 / VALVE

REF - NO	PART NUMBER	PART NAME	QUANTITY	REMARKS
1	6G8-12111-00-00	VALVE, INTAKE	2	
2	6G8-12121-01-00	VALVE, EXHAUST	2	
3	6G8-12116-00-00	SEAT, VALVE SPRING	4	
4	6G8-12113-00-00	SPRING, VALVE INNER	4	
5	6G8-12117-00-00	RETAINER, VALVE SPRING	2	
6	30X-12118-00-00	LOCK, VALVE SPRING RETAINER	4	
7	6G8-12117-10-00	RETAINER, VALVE SPRING	2	
8	6G8-12153-00-00	LIFTER, VALVE	2	
9	51Y-12119-00-00	SEAL, VALVE STEM	4	
10	6G8-12151-00-00	ARM, VALVE ROCKER	4	
11	6G8-12159-00-00	SCREW, VALVE ADJUSTING	4	
12	6G8-12158-00-00	NUT, LOCK	4	
13	6G8-12146-00-00	SHAFT, ROCKER	2	
14	90387-13M56-00	COLLAR	3	
15	90501-12M40-00	SPRING, COMPRESSION	3	
16	90501-12M41-00	SPRING, COMPRESSION	1	



T9.9EXHZ 2001 / INTAKE



  
6G80110-1050

©2014 Yamaha Motor Corporation, U.S.A. All rights reserved.


## Part List

T9.9EXHZ 2001 / INTAKE

REF - NO	PART NUMBER	PART NAME	QUANTITY	REMARKS
1	6G8-13646-A0-00	GASKET, MANIFOLD 2	2	
2	95380-06700-00	NUT	2	
3	92990-06600-00	WASHER, PLATE	2	
4	6G8-13647-00-00	GASKET, MANIFOLD 3	1	
5	6G8-13641-01-94	MANIFOLD 1	1	
6	6G8-13645-00-00	GASKET, MANIFOLD 1	1	
7	90116-06M15-00	BOLT, STUD	1	
8	97095-06045-00	.BOLT	3	
9	92995-06600-00	WASHER	3	
10	95380-06700-00	NUT	1	
11	6G8-14479-10-94	FUNNEL	1	
12	6G8-14478-00-00	LOUVER	1	
13	6G8-14198-A0-00	.GASKET	1	
14	97880-05016-00	SCREW, PAN HEAD	2	
15	92990-05600-00	WASHER, PLATE	2	
16	6G8-15358-00-00	SEPARATOR, OIL	1	
17	90159-06M05-00	SCREW, WITH WASHER	2	
18	6G8-15368-00-94	SEPERATOR, OIL	1	
19	6G8-15369-00-00	GASKET, OIL SEAL HOUSING	1	
20	97780-40512-00	SCREW, TAPPING	4	
21	6G8-15371-00-94	BREATHER	1	
22	6G8-15346-00-00	BREATHER 1	1	
23	6G8-15347-00-00	BREATHER 2	1	
24	97780-40512-00	SCREW, TAPPING	1	
25	92990-04200-00	WASHER	2	
26	6G8-15374-00-00	GASKET, BREATHER	1	
27	97780-40512-00	SCREW, TAPPING	4	
28	98507-04010-00	SCREW, PAN HEAD	1	
29	6G8-15393-10-00	PIPE, BREATHER 2	1	
30	90445-11M52-00	HOSE (L150)	1	
31	90445-09065-00	HOSE (L90)	1	
32	6G8-15376-00-00	HOLDER, GUIDE	1	
33	6G8-15373-00-00	PIPE, BREATHER	1	
34	6G8-13448-00-00	CAP	1	
35	90465-08M75-00	CLAMP	1	

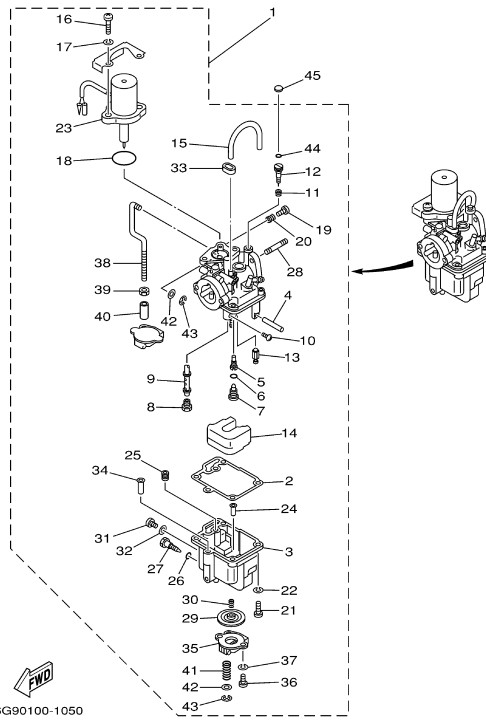
## Part Notes

T9.9EXHZ 2001 / INTAKE

PART NUMBER	NOTE TEXT
92990-06600-00 	OEM: This part number is among the Top 100 Most Popular Marine Maintenance Parts as of March 2014.

©2014 Yamaha Motor Corporation, U.S.A. All rights reserved.

T9.9EXHZ 2001 / CARBURETOR

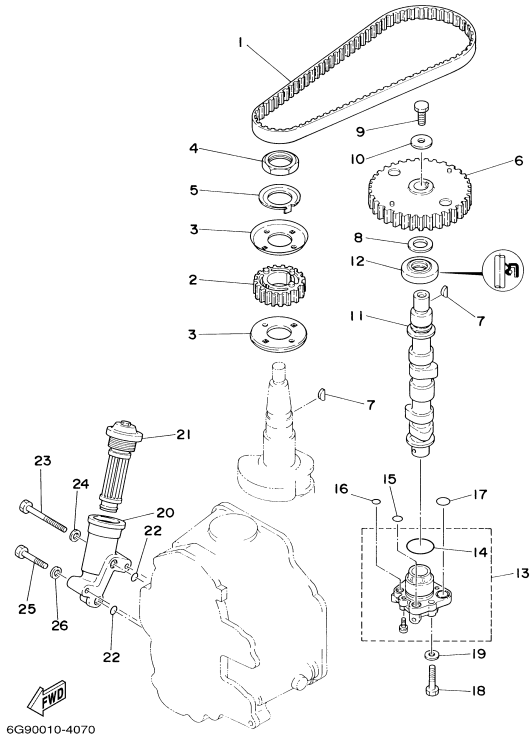


## Part List

T9.9EXHZ 2001 / CARBURETOR

REF - NO	PART NUMBER	PART NAME	QUANTITY	REMARKS
1	6G8-14301-21-00	CARBURETOR ASSY 1	1	
2	6G8-14384-01-00	.GASKET, FLOAT CHAMBER	1	
3	6G8-14381-02-00	.BODY, FLOAT CHAMBER	1	
4	647-14386-00-00	.PIN, FLOAT	1	
5	6G8-14342-24-00	.JET, PILOT (#48)	1	
6	654-14198-00-00	.GASKET	1	
7	6G8-14345-00-00	.PLUG, MAIN NOZZLE	1	
8	648-14343-43-00	.JET, MAIN (#86)	1	
9	6G8-14341-20-00	.NOZZLE, MAIN	1	
10	6G8-14216-00-00	.SCREW	1	
11	647-14334-00-00	.SPRING	1	
12	6G8-14323-20-00	.SCREW, AIR ADJUSTING	1	
13	6G8-14392-00-00	.VALVE, NEEDLE	1	
14	6G8-14385-00-00	.FLOAT	1	
15	6G8-14197-01-00	.PIPE	1	
16	98580-06018-00	.SCREW, PAN HEAD	2	
17	92990-06100-00	.WASHER, SPRING	2	
18	1HV-14147-00-00	.O-RING	1	
19	664-14321-01-00	.SCREW, THROTTLE	1	
20	646-14212-00-00	.SPRING, PILOT ADJUSTING	1	
21	98580-04016-00	.SCREW, PAN HEAD	4	
22	92990-04100-00	.WASHER, SPRING	4	
23	6G8-1410A-01-00	.STARTER SET	1	
24	6G8-14827-00-00	.FILTER	1	
25	6A4-14344-30-00	.JET, STARTER (#60)	1	
26	5Y1-14397-00-00	.O-RING	1	
27	6G8-14383-00-00	.SCREW, DRAIN	1	
28	90116-06M26-00	.BOLT, STUD	2	
29	6G8-14368-02-00	.DIAPHRAGM ASSEMBLY	1	
30	6G8-14275-01-00	.SPRING	1	
31	97890-05006-00	.SCREW, PAN HEAD	1	
32	646-14198-01-00	.GASKET	1	
33	6G8-14349-00-00	.PIPE	1	
34	6G8-14217-00-00	.VALVE, CHOKE	1	
35	6G8-14293-03-00	.COVER 1	1	
36	98580-04010-00	.SCREW, PAN HEAD	2	
37	92990-04100-00	.WASHER, SPRING	2	
38	6G8-14379-00-00	.ROD, STARTER	1	
39	98813-03100-00	.NUT	1	
40	6G8-14229-00-00	.SHAFT, CHOKE	1	
41	6G8-14286-01-00	.SPRING	1	
42	6G8-14357-00-00	.WASHER, PLAIN	2	
43	389-14137-00-00	.CLIP	2	
44	5H0-14397-00-00	.O-RING	1	
45	6G8-1432A-10-00	PLUG	1	

T9.9EXHZ 2001 / OIL PUMP



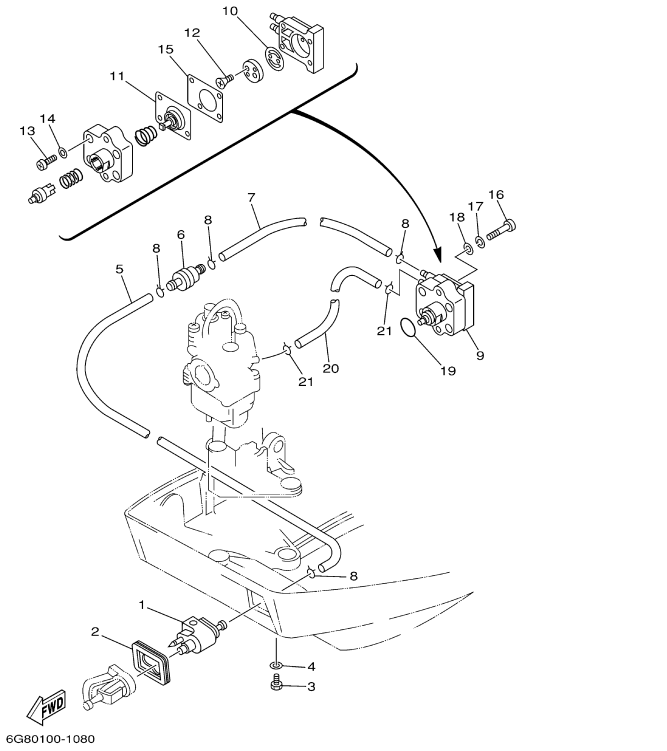
©2014 Yamaha Motor Corporation, U.S.A. All rights reserved.

## Part List

T9.9EXHZ 2001 / OIL PUMP

REF - NO	PART NUMBER	PART NAME	QUANTITY	REMARKS
1	6G8-46241-00-00	V-BELT	1	
2	6G8-11536-00-94	GEAR, DRIVE	1	
3	6G8-11557-00-00	WASHER 1	2	
4	90170-24M09-00	NUT	1	
5	6G8-11587-01-00	WASHER, LOCK	1	
6	6G8-11537-00-94	GEAR, DRIVEN	1	
7	90280-03M01-00	.KEY, WOODRUFF	2	
8	90201-13201-00	WASHER, PLATE	1	
9	97013-06016-00	BOLT	1	
10	90201-06M94-00	WASHER, PLATE	1	
11	6G8-12171-00-00	CAMSHAFT 1	1	
12	93102-18M21-00	.OIL SEAL	1	
13	6G8-13300-02-00	OIL PUMP ASSY	1	
14	93210-27ME3-00	.O-RING	1	
15	93210-10M61-00	.O-RING	1	
16	93210-09M01-00	.O-RING	1	
17	93210-13M63-00	.O-RING	2	
18	97095-06025-00	BOLT	3	
19	92995-06600-00	WASHER	3	
20	6G8-13442-00-1S	HOUSING, OIL FILTER	1	
21	6G8-13440-00-00	ELEMENT ASSY,OIL CLEANER	1	
22	93210-09M01-00	.O-RING	2	
23	97013-06050-00	BOLT	1	
24	92903-06600-00	WASHER, PLATE	1	
25	97013-06030-00	BOLT	1	
26	92903-06600-00	WASHER, PLATE	1	

T9.9EXHZ 2001 / FUEL






©2014 Yamaha Motor Corporation, U.S.A. All rights reserved.

Part List T9.9EXHZ 2001 / FUEL

REF - NO	PART NUMBER	PART NAME	QUANTITY	REMARKS
1	6G1-24304-02-00	FUEL PIPE JOINT COMP. 1	1	
2	6G8-24329-00-00	SEAL	1	
3	97095-06020-00	BOLT	1	
4	92995-06600-00	WASHER	1	
5	6G8-24311-00-00	PIPE, FUEL 1	1	
6	646-24251-02-00	.STRAINER 1	1	
7	90445-09065-00	HOSE (L90)	1	
8	90467-08004-00	CLIP	4	
9	6G8-24410-03-00	FUEL PUMP ASSY	1	
10	6G8-24421-00-00	.VALVE, CHECK	1	
11	6G8-24411-02-00	.DIAPHRAGM	1	
12	98780-03008-00	.SCREW, FLAT HEAD	2	
13	98503-04014-00	.SCREW, PAN HEAD	4	
14	92903-04600-00	.WASHER	4	
15	6G8-24471-00-00	.DIAPHRAGM	1	
16	97880-06025-00	SCREW, PAN HEAD	2	
17	92990-06100-00	..WASHER, SPRING	2	
18	92990-06600-00	WASHER, PLATE	2	
19	93210-20M65-00	.O-RING	1	
20	90445-09105-00	HOSE (L300)	1	
21	90467-08004-00	CLIP	2	

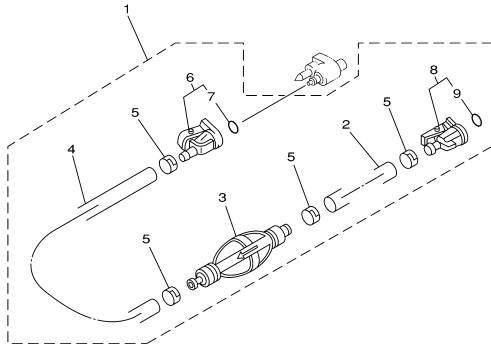
Part Notes T9.9EXHZ 2001 / FUEL

PART NUMBER	NOTE TEXT
646-24251-02-00	 OEM: This part number is among the Top 100 Most Popular Marine Maintenance Parts as of March 2014.
6G8-24410-03-00	 OEM: The new pump has two additional barbs installed in the base so that cooling water from the overboard water pump indicator can be routed through the fuel pump to prevent vapor lock condit
92990-06600-00	 OEM: This part number is among the Top 100 Most Popular Marine Maintenance Parts as of March 2014.

©2014 Yamaha Motor Corporation, U.S.A. All rights reserved.



T9.9EXHZ 2001 / FUEL 2

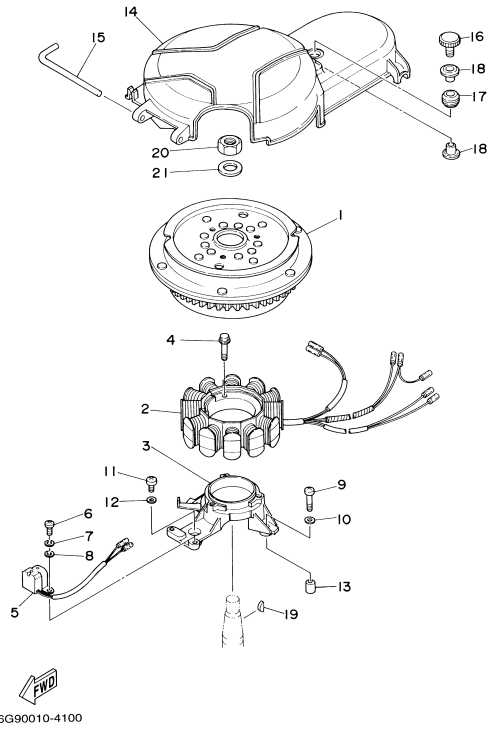


## Part List

T9.9EXHZ 2001 / FUEL 2

REF - NO	PART NUMBER	PART NAME	QUANTITY	REMARKS
1	6Y1-24306-53-00	FUEL PIPE COMP. 1	1	AP
2	90445-11M06-00	.HOSE (L2050)	1	
3	6Y1-24360-52-00	.PRIMER PUMP ASSY	1	
4	90445-11M05-00	.HOSE (L850)	1	
5	650-24351-51-00	.BAND 1	4	
6	6G1-24305-03-00	.FUEL PIPE JOINT COMP 2	1	
7	93210-08287-00	..O-RING	1	
8	6Y1-24305-04-00	.FUEL PIPE JOINT COMP 2	1	
9	93210-08287-00	..O-RING	1	

T9.9EXHZ 2001 / GENERATOR





©2014 Yamaha Motor Corporation, U.S.A. All rights reserved.

Part List T9.9EXHZ 2001 / GENERATOR

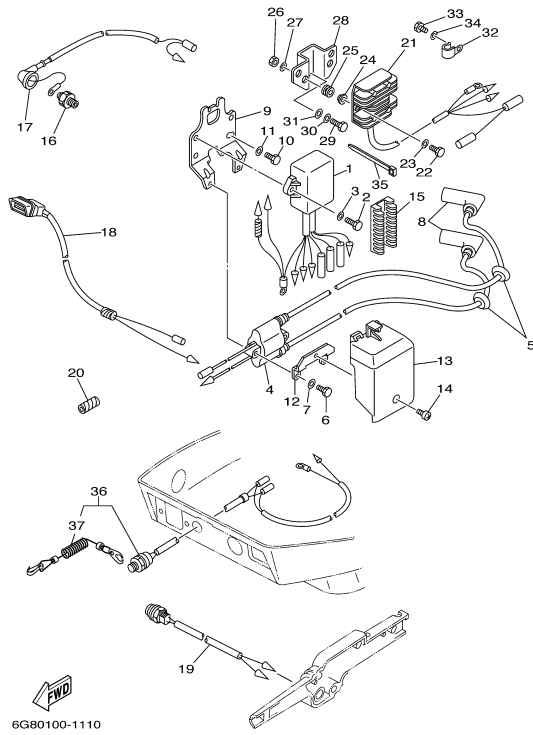
REF - NO	PART NUMBER	PART NAME	QUANTITY	REMARKS
1	6G8-85550-01-00	ROTOR ASSY	1	
2	6G8-85510-01-00	STATOR ASSY	1	
3	6G8-85561-00-94	BASE, MAGNETO	1	
4	95023-06025-00	BOLT	3	
5	6G8-85580-02-00	COIL, PULSER	1	
6	97880-05012-00	SCREW, PAN HEAD	2	
7	92990-05100-00	.WASHER, SPRING	2	
8	92990-05600-00	WASHER, PLATE	2	
9	97880-06025-00	SCREW, PAN HEAD	2	
10	92990-06600-00	WASHER, PLATE	2	
11	97880-06020-00	SCREW, PAN HEAD	1	
12	92990-06600-00	WASHER, PLATE	1	
13	99530-08012-00	PIN, DOWEL	2	
14	6G8-81337-01-00	COVER, FLYWHEEL	1	
15	6G8-42752-00-00	SHAFT	1	
16	6G8-81323-00-00	SCREW 1	1	
17	90480-15M31-00	GROMMET	1	
18	90387-06M71-00	COLLAR	2	
19	90280-05013-00	KEY, WOODRUFF	1	
20	90170-12066-00	NUT	1	
21	90201-12472-00	WASHER, PLATE	1	

Part Notes T9.9EXHZ 2001 / GENERATOR

PART NUMBER	NOTE TEXT
92990-06600-00 	OEM: This part number is among the Top 100 Most Popular Marine Maintenance Parts as of March 2014.
92990-06600-00 	OEM: This part number is among the Top 100 Most Popular Marine Maintenance Parts as of March 2014.

©2014 Yamaha Motor Corporation, U.S.A. All rights reserved.

T9.9EXHZ 2001 / ELECTRICAL 1



©2014 Yamaha Motor Corporation, U.S.A. All rights reserved.



## Part List

T9.9EXHZ 2001 / ELECTRICAL 1

REF - NO	PART NUMBER	PART NAME	QUANTITY	REMARKS
1	6G8-85540-23-00	C.D.I. UNIT ASSY	1	
2	97095-06020-00	BOLT	2	
3	92995-06600-00	WASHER	2	
4	6G8-85570-21-00	IGNITION COIL ASSY	1	
5	90480-25161-00	GROMMET	2	
6	97095-06025-00	BOLT	2	
7	92995-06600-00	WASHER	2	
8	6G8-82370-30-00	PLUG CAP ASSY	2	
9	6G8-85542-00-00	BRACKET	1	
10	97095-06020-00	BOLT	2	
11	92995-06600-00	WASHER	2	
12	6G8-85525-00-00	PLATE	1	
13	6G8-81916-00-00	COVER, TERMINAL	1	
14	98980-06008-00	SCREW, BIND	1	
15	6G8-82522-00-00	CLAMP, COUPLER	1	
16	6G8-82504-00-00	OIL PRESSURE SWITCH ASSY	1	
17	6G8-82127-00-00	WIRE, LEAD 2	1	
18	6G8-83582-01-00	PILOT LIGHT ASSY	1	EH (EH)
19	6G8-82550-10-00	ENGINE STOP SWITCH ASSY	1	EH (EH)
20	90446-10M02-00	HOSE	1	
21	6G8-81960-00-00	RECTIFIER & REGULATOR ASSY	1	
22	97095-06025-00	BOLT	2	
23	92995-06600-00	WASHER	2	
24	90387-06M70-00	COLLAR	2	
25	90480-13M24-00	GROMMET	2	
26	95380-06700-00	NUT	2	
27	92990-06600-00	WASHER, PLATE	2	
28	6G8-81948-02-00	BRACKET	1	
29	97095-06020-00	BOLT	1	
30	92995-06100-00	WASHER, SPRING	1	
31	92995-06600-00	WASHER	1	
32	90465-08M75-00	CLAMP	1	
33	97013-06012-00	BOLT	1	
34	92903-06600-00	WASHER, PLATE	1	
35	90465-13M11-00	CLAMP	1	
36	6G8-82575-00-00	ENGINE STOP SWITCH ASSY	1	EH (EH)
37	682-82556-00-00	.LANYARD, STOP SWITCH	1	(EH)

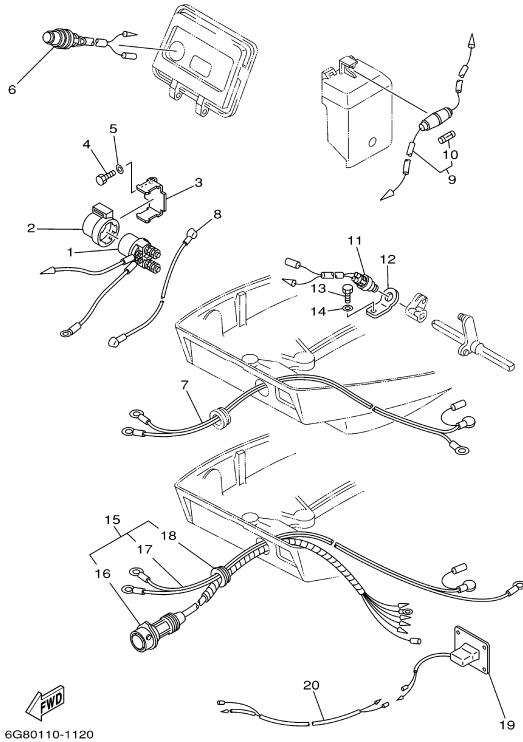
## Part Notes

T9.9EXHZ 2001 / ELECTRICAL 1

PART NUMBER	NOTE TEXT
92990-06600-00 	OEM: This part number is among the Top 100 Most Popular Marine Maintenance Parts as of March 2014.
682-82556-00-00 	OEM: This part number is among the Top 100 Most Popular Marine Maintenance Parts as of March 2014.

©2014 Yamaha Motor Corporation, U.S.A. All rights reserved.

T9.9EXHZ 2001 / ELECTRICAL 2



6G80110-1120

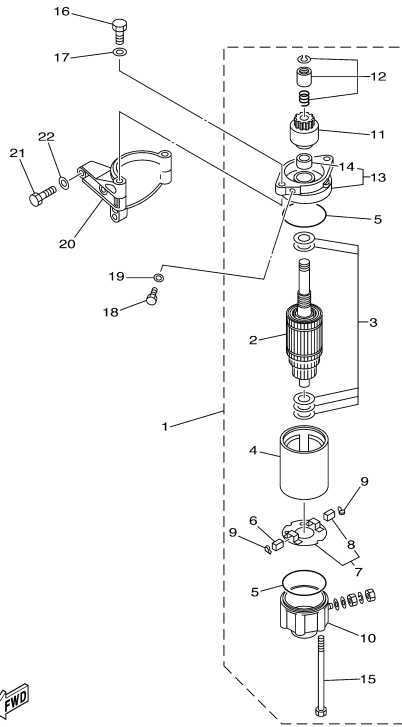
## Part List

T9.9EXHZ 2001 / ELECTRICAL 2

REF - NO	PART NUMBER	PART NAME	QUANTITY	REMARKS
1	6J0-81941-10-00	STARTER RELY ASSY	1	
2	6G1-81952-00-00	HOLDER, RELAY	1	
3	6G8-81953-00-00	STAY, RELAY	1	
4	97095-06012-00	BOLT	1	
5	92995-06600-00	WASHER	1	
6	6G8-81870-00-00	STARTING SWITCH ASSY	1	EH (EH)
7	6G8-82105-01-00	BATTERY CABLE	1	EH (EH)
8	6G8-82117-00-00	WIRE, LEAD	1	
9	6G8-82150-00-00	FUSE HOLDER ASSY	1	
10	663-82151-00-00	.FUSE (12V-20A)	1	
11	6H3-82540-00-00	NEUTRAL SWITCH ASSY	1	EH (EH)
12	6G8-82554-00-00	STAY, NEUTRAL SWITCH	1	EH (EH)
13	97095-06012-00	BOLT	1	EH (EH)
14	92995-06600-00	WASHER	1	EH (EH)
15	6G8-82580-00-00	WIRE HARNESS ASSY 2	1	ER (ER)
16	6G8-82590-00-00	.WIRE HARNESS ASSY	1	(ER)
17	6G8-82105-01-00	.BATTERY CABLE	1	(ER)
18	6G8-42724-50-00	.GROMMET	1	(ER)
19	6G8-83530-00-00	PILOT LIGHT ASSY	1	ER (ER)
20	6G8-82541-00-00	WIRE, LEAD	1	ER (ER)



T9.9EXHZ 2001 / STARTING MOTOR



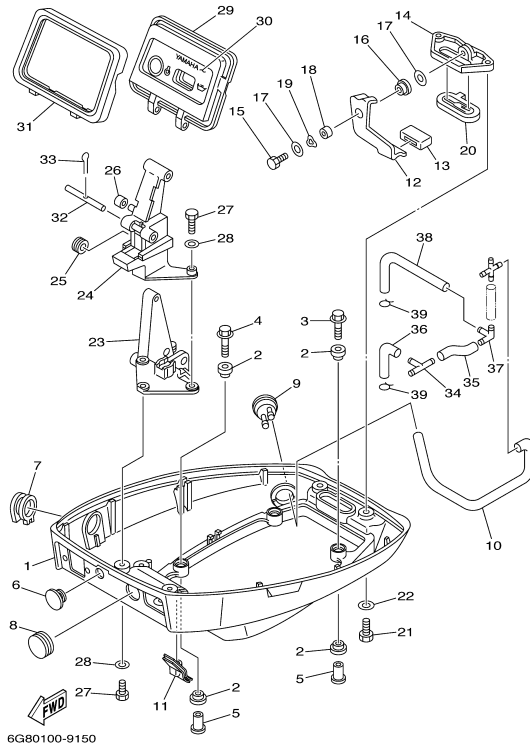
FWD  
6G80100-8140

## Part List

T9.9EXHZ 2001 / STARTING MOTOR

REF - NO	PART NUMBER	PART NAME	QUANTITY	REMARKS
1	6G8-81800-11-00	STARTING MOTOR ASSY	1	
2	689-81850-12-00	.ARMATURE ASSY	1	
3	689-81809-11-00	.WASHER KIT	1	
4	689-81810-11-00	.STATOR ASSY	1	
5	689-81847-11-00	.O-RING	2	
6	689-81811-11-00	.BRUSH 1	1	
7	689-81840-11-00	.BRUSH HOLDER ASSY	1	
8	689-81812-11-00	..BRUSH 2	1	
9	689-81813-10-00	.SPRING, BRUSH	2	
10	689-81820-11-00	.REAR BRACKET ASSY	1	
11	689-81807-12-00	.GEAR ASSY, STARTING MOTOR	1	
12	689-81857-11-00	.PINION STOPPER SET	1	
13	6F5-81830-11-00	.FRONT BRACKET ASSY	1	
14	689-81831-00-00	..METAL, FRONT	1	
15	689-81826-10-00	.BOLT	2	
16	97075-08025-00	BOLT	2	
17	92995-08600-00	WASHER	2	
18	97095-08016-00	BOLT	1	
19	92995-08600-00	WASHER	1	
20	6G8-81822-40-94	BRACKET, STARTING MOTOR	1	
21	97013-08030-00	BOLT	3	
22	92903-08600-00	WASHER, PLATE	3	

T9.9EXHZ 2001 / BOTTOM COWLING



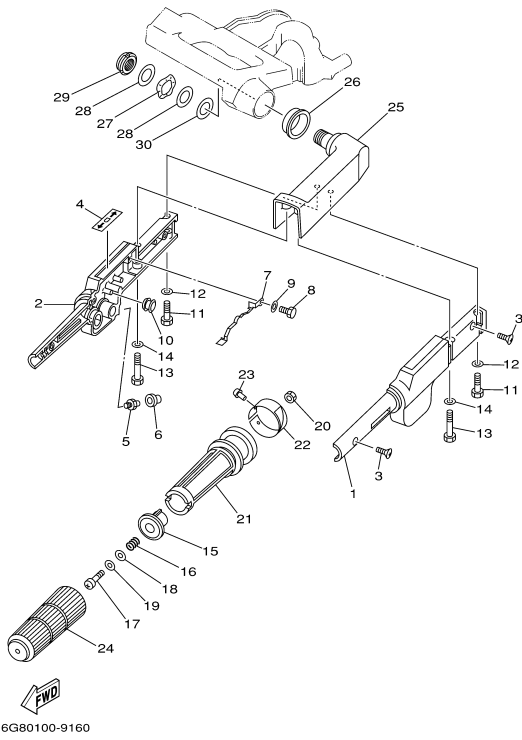
©2014 Yamaha Motor Corporation, U.S.A. All rights reserved.

## Part List

T9.9EXHZ 2001 / BOTTOM COWLING

REF - NO	PART NUMBER	PART NAME	QUANTITY	REMARKS
1	6G8-42711-02-4D	COWLING, BOTTOM 1	1	
2	90480-09M35-00	GROMMET	8	
3	90119-06M56-00	BOLT, WITH WASHER	2	
4	90119-06M55-00	BOLT, WITH WASHER	2	
5	90387-06M15-00	COLLAR	4	
6	90480-17165-00	GROMMET	1	ER (ER)
7	6G8-42724-00-00	GROMMET	1	
8	6G8-42724-40-00	GROMMET	1	EH (EH)
9	6G8-44391-00-00	NIPPLE, HOSE	1	
10	90445-09163-00	HOSE (L235)	1	
11	6G8-42727-00-00	GROMMET	1	
12	6G8-42815-00-00	LEVER, CLAMP	1	
13	6G8-42831-00-00	BUSHING	1	
14	6G8-42811-00-94	STAY	1	
15	97013-06016-00	BOLT	1	
16	90386-08M49-00	BUSH	1	
17	90201-06M31-00	.WASHER, PLATE	2	
18	90387-06M72-00	COLLAR	1	
19	90206-08M13-00	WASHER, WAVE	1	
20	6G8-42748-00-00	GROMMET	1	
21	97095-06016-00	BOLT	2	
22	92995-06600-00	WASHER	2	
23	6G8-42738-00-94	PLATE, FITTING	1	
24	6G8-42719-00-94	PANEL, FRONT LOWER	1	
25	90480-19031-00	GROMMET	1	
26	90445-05ME6-00	HOSE (L8)	1	
27	97095-06016-00	BOLT	4	
28	92995-06600-00	WASHER	4	
29	6G8-42614-12-00	PANEL, FRONT UPPER	1	
30	6G8-42677-20-00	GRAPHIC, FRONT	1	UR ER (ER)
30	6G8-42677-10-00	GRAPHIC, FRONT	1	UR EH (EH)
31	6G8-42629-02-00	SEAL	1	
32	6G8-42755-00-00	HINGE, COWLING	1	
33	91490-16010-00	PIN. COTTER	1	
34	6G8-24379-00-00	PIPE, JOINT 4	1	
35	90445-10M78-00	HOSE (L50)	1	
36	6G8-12476-00-00	PIPE 6	1	
37	6G8-24378-01-00	PIPE, JOINT 3	1	
38	6G8-12485-00-00	PIPE 5	1	
39	90467-10M04-00	CLIP	2	

T9.9EXHZ 2001 / STEERING FOR EH



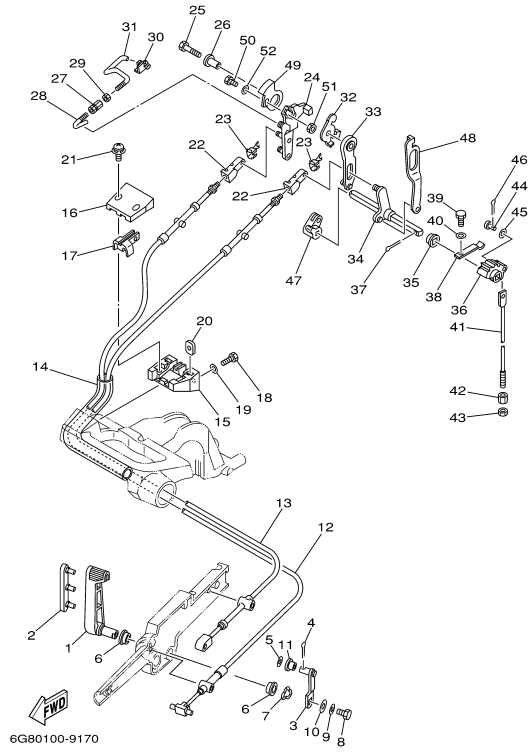
©2014 Yamaha Motor Corporation, U.S.A. All rights reserved.

## Part List

T9.9EXHZ 2001 / STEERING FOR EH

REF - NO	PART NUMBER	PART NAME	QUANTITY	REMARKS
1	6G8-42111-01-4D	HANDLE, STEERING	1	(EH)
2	6G8-42112-02-4D	HANDLE, STEERING	1	(EH)
3	98780-05016-00	.SCREW, FLAT HEAD	2	(EH)
4	6G8-44191-00-00	INDICATOR, SHIFT	1	(EH)
5	93700-06M03-00	NIPPLE, GREASE	1	(EH)
6	663-45119-00-00	CAP, GREASE NIPPLE	1	AP (EH)
7	6G8-42147-01-00	SPRING	1	(EH)
8	97095-05012-00	BOLT	1	(EH)
9	92995-05600-00	WASHER	1	(EH)
10	6H4-42725-00-00	GROMMET	1	(EH)
11	97095-06025-00	BOLT	2	(EH)
12	92995-06600-00	WASHER	2	(EH)
13	97095-06040-00	.BOLT	2	(EH)
14	92995-06600-00	WASHER	2	(EH)
15	6G8-42126-01-94	FRICITION, STEERING HANDLE GRIP	1	(EH)
16	90501-23M42-00	SPRING, COMPRESSION	1	(EH)
17	97880-06030-00	SCREW, PAN HEAD	1	(EH)
18	90201-06049-00	WASHER, PLATE	1	(EH)
19	90202-06007-00	WASHER, PLATE	1	(EH)
20	95380-06700-00	NUT	1	(EH)
21	6G8-42119-00-00	GRIP, STEERING HANDLE	1	(EH)
22	6G8-42137-01-00	INDICATOR, THROTTLE	1	(EH)
23	90269-02M09-00	RIVET	1	(EH)
24	6G8-42177-00-00	RUBBER, HANDLE	1	(EH)
25	6G8-42113-02-4D	HANDLE, STEERING 3	1	(EH)
26	90386-33M56-00	BUSH	1	(EH)
27	90206-20M14-00	WASHER, WAVE	1	(EH)
28	90201-20M00-00	WASHER, PLATE	2	(EH)
29	90185-20M03-00	NUT, SELF-LOCKING	1	(EH)
30	90202-20M33-00	WASHER, PLATE	1	(EH)

T9.9EXHZ 2001 / CONTROL



©2014 Yamaha Motor Corporation, U.S.A. All rights reserved.


## Part List

T9.9EXHZ 2001 / CONTROL

REF - NO	PART NUMBER	PART NAME	QUANTITY	REMARKS
1	6G8-44121-00-98	LEVER, SHIFT ROD	1	EH (EH)
2	6G8-42129-00-00	BUSHING, RUBBER	1	EH (EH)
3	6G8-44123-00-00	ARM, SHIFT ROD	1	EH (EH)
4	91490-16010-00	PIN, COTTER	1	EH (EH)
5	92990-05200-00	.WASHER, PLAIN	1	EH (EH)
6	90386-12069-00	BUSH	2	EH (EH)
7	90206-12052-00	WASHER, WAVE	1	EH (EH)
8	97013-06016-00	BOLT	1	EH (EH)
9	92903-06600-00	WASHER, PLATE	1	EH (EH)
10	90201-06M94-00	WASHER, PLATE	1	EH (EH)
11	90386-05M54-00	BUSH	1	EH (EH)
12	6G8-48311-02-00	CABLE	1	EH (EH)
13	6G8-48321-01-00	CABLE	1	EH (EH)
14	90445-24M00-00	HOSE (L165)	1	EH (EH)
15	6G8-41661-00-98	BRACKET	1	EH (EH)
16	6G8-41662-00-98	BRACKET	1	EH (EH)
17	6G8-41663-00-00	BRACKET 3	1	EH (EH)
18	97095-06016-00	BOLT	2	EH (EH)
19	92995-06600-00	WASHER	2	EH (EH)
20	6G8-41654-00-00	NUT	2	EH (EH)
21	90159-05M06-00	SCREW, WITH WASHER	2	EH (EH)
22	6G8-26363-00-00	.END, WIRE 1	2	
23	6G8-26364-00-00	.END, CABLE	2	
24	6G8-41212-00-00	ARM, ACCEL.	1	
25	97013-06030-00	BOLT	1	
26	90387-06M58-00	COLLAR	1	
27	6G8-41238-01-00	JOINT, LINK	1	
28	6G8-41241-01-00	ROD, LINK	1	
29	95380-04600-00	.NUT	1	
30	6G8-41237-01-00	JOINT, LINK	1	
31	6G8-41242-01-00	ROD 2	1	
32	6G8-14493-00-00	STAY 1	1	
33	6G8-44111-00-00	HANDLE, GEAR SHIFT	1	
34	6G8-44159-00-00	HANDLE, GEAR SHIFT	1	
35	682-44132-00-00	BUSHING	1	
36	682-44121-01-00	LEVER, SHIFT ROD	1	
37	91490-25020-00	PIN, COTTER	1	
38	682-44116-01-00	SPRING	1	
39	97095-06014-00	BOLT	1	
40	92995-06600-00	WASHER	1	
41	6G8-44143-10-00	ROD, SHIFT	1	
42	90170-06015-00	NUT	1	
43	95380-06700-00	NUT	1	
44	91790-05020-00	PIN, CLEVIS	1	
45	92990-05600-00	WASHER, PLATE	1	
46	91490-16010-00	PIN, COTTER	1	
47	6G8-44125-00-00	LEVER, SHIFT ROD	1	
48	6G8-44124-11-00	LINK, SHIFT ROD	1	EH (EH)
49	6G8-41212-11-00	ARM, ACCEL.	1	EH (EH)
50	97013-06014-00	BOLT	1	EH (EH)
51	95380-06600-00	NUT, HEXAGON	1	EH (EH)
52	92990-06600-00	WASHER, PLATE	1	EH (EH)

## Part Notes

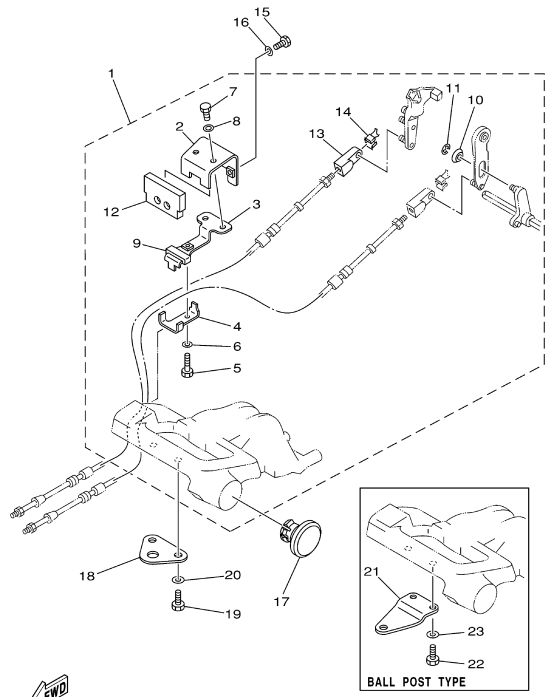
T9.9EXHZ 2001 / CONTROL

PART NUMBER	NOTE TEXT
92990-06600-00 	OEM: This part number is among the Top 100 Most Popular Marine Maintenance Parts as of March 2014.

©2014 Yamaha Motor Corporation, U.S.A. All rights reserved.



T9.9EXHZ 2001 / REMO-CON ATTACHMENT



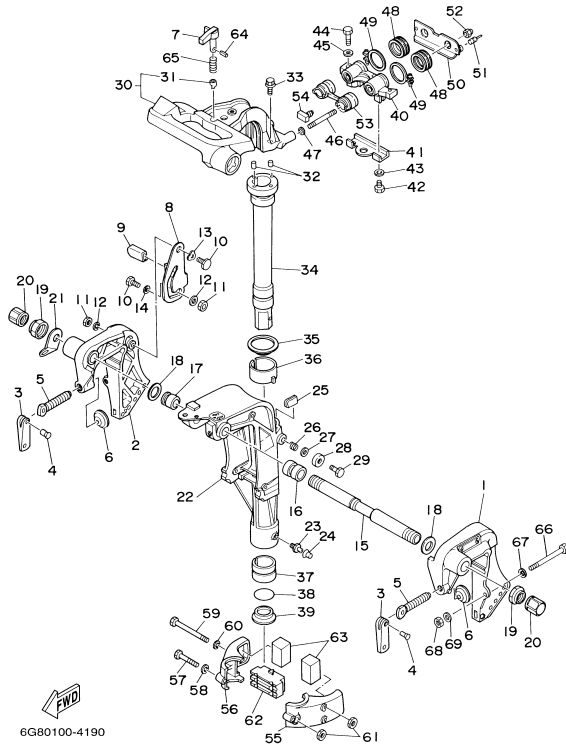
6G80100-9180

## Part List

T9.9EXHZ 2001 / REMO-CON ATTACHMENT

REF - NO	PART NUMBER	PART NAME	QUANTITY	REMARKS
1	6G8-48501-03-00	REMOTE CONT. ATTACHMENT ASSY	1	AP ER (ER)
2	6G8-48531-51-00	.BRACKET, REMOTE CONTROL 1	1	(ER)
3	6G8-48532-50-00	.BRACKET, REMOTE CONTROL 2	1	(ER)
4	6G8-48538-50-00	.CLAMP, CABLE 1	1	(ER)
5	97095-06030-00	.BOLT	1	(ER)
6	92995-06600-00	.WASHER	1	(ER)
7	97095-06012-00	.BOLT	2	(ER)
8	92995-06600-00	.WASHER	2	(ER)
9	6G8-48565-50-00	.GROMMET	1	(ER)
10	90387-06M73-00	.COLLAR	1	(ER)
11	93430-04M03-00	.CIRCLIP	1	(ER)
12	6G8-48351-51-00	.SEAL RUBBER	1	(ER)
13	6G8-26363-00-00	.END, WIRE 1	1	(ER)
14	6G8-26364-00-00	.END, CABLE	1	(ER)
15	97095-06016-00	BOLT	2	ER (ER)
16	92995-06600-00	WASHER	2	ER (ER)
17	6G8-42551-00-00	GROMMET	1	ER (ER)
18	6G8-48511-20-00	HOOK, STEERING	1	ER STEERING GUIDE TYPE (ER)
19	97095-06016-00	BOLT	2	ER (ER)
20	92995-06600-00	WASHER	2	ER (ER)
21	6G8-48511-10-00	HOOK, STEERING	1	AP ER BALL POST TYPE (ER)
22	97095-06016-00	BOLT	2	AP ER (ER)
23	92995-06600-00	WASHER	2	AP ER (ER)

T9.9EXHZ 2001 / BRACKET 1



©2014 Yamaha Motor Corporation, U.S.A. All rights reserved.


## Part List

T9.9EXHZ 2001 / BRACKET 1

REF - NO	PART NUMBER	PART NAME	QUANTITY	REMARKS
1	6G8-43111-04-4D	BRACKET, CLAMP 1	1	
2	6G8-43112-04-4D	BRACKET, CLAMP 2	1	
3	6E0-43118-01-00	HANDLE, TRANSOM CLAMP	2	
4	90243-04M01-00	PIN	2	
5	6E7-43116-00-00	SCREW, TRANSOM CLAMP	2	
6	648-43114-01-00	PAD, TRANSOM CLAMP	2	
7	6G8-42561-00-00	KNOB, STEERING LOCK	1	EH (EH)
8	6G8-43181-00-00	LEVER, TILT STOP	1	
9	682-43318-01-00	COVER	1	
10	90109-06M25-00	BOLT	2	
11	95680-06100-00	NUT, U	2	
12	92990-06600-00	WASHER, PLATE	2	
13	90206-10M15-00	WASHER, WAVE	1	
14	682-43339-01-00	WASHER	1	
15	6G8-43131-00-00	BOLT, CLAMP BRACKET	1	
16	90386-22M92-00	BUSH	1	
17	90386-22M93-00	BUSH	1	
18	90201-22M03-00	WASHER, PLATE	2	
19	90185-22043-00	NUT, SELF-LOCKING	2	
20	6G5-43145-00-00	CAP, CLAMP BRACKET	2	
21	6J8-43113-01-00	PLATE, CLAMP BRACKET	1	
22	6G8-43311-15-4D	BRACKET, SWIVEL 1	1	
23	93700-06M03-00	NIPPLE, GREASE	1	
24	663-45119-00-00	CAP, GREASE NIPPLE	1	AP
25	6G8-42528-00-00	PLATE, FRICTION	1	
26	90501-18M00-00	SPRING, COMPRESSION	1	
27	90201-06M31-00	.WASHER, PLATE	1	
28	6G8-43373-00-00	SEAL, DAMPER	1	
29	97095-06025-00	BOLT	1	
30	6G8-42511-02-4D	BRACKET, STEERING	1	
31	6G8-42534-00-00	.PIN, DOWEL	1	
32	93605-15065-00	PIN, DOWEL	2	
33	90119-06M06-00	BOLT, WITH WASHER	2	
34	6G8-42521-10-94	SHAFT, STEERING PIVOT	1	
35	90209-45M09-00	WASHER	1	
36	6G8-42537-00-00	BUSHING, PIVOT SHAFT	1	
37	90386-37M47-00	BUSH	1	
38	93210-37M67-00	O-RING	1	
39	90386-37M48-00	BUSH	1	
40	6G8-44517-00-94	MOUNT RUBBER	1	
41	6G8-44526-00-00	PLATE	1	
42	97095-06012-00	BOLT	2	
43	92995-06600-00	WASHER	2	
44	97095-08030-00	BOLT	2	
45	92995-08600-00	WASHER	2	
46	90116-08M28-00	BOLT, STUD	2	
47	90201-08M12-00	.WASHER, PLATE	2	
48	6G8-44522-00-00	SEAL	2	
49	90460-38M06-00	CLAMP, HOSE	2	
50	6G8-44518-00-00	BRACKET COMP.	1	
51	6G8-44533-00-00	DAMPER, UPPER MOUNT RUBBER	2	
52	90185-08057-00	NUT, SELF-LOCKING	2	
53	6G8-44521-00-00	SEAL	1	
54	6G8-44532-00-00	STOPPER, UPPER MOUNT	1	
55	6G8-44551-01-4D	HOUSING, LOWER MOUNT RUBBER	1	
56	6G8-44552-02-4D	HOUSING, LOWER MOUNT RUBBER	1	
57	97095-06045-00	.BOLT	1	
58	92995-06600-00	WASHER	1	
59	97095-06095-00	BOLT	2	
60	92995-06600-00	WASHER	2	
61	95380-06700-00	NUT	3	
62	6G8-44557-00-00	MOUNT DAMPER, LOWER FRONT	1	
63	682-44555-00-00	MOUNT DAMPER, LOWER SIDE	2	
64	91690-30012-00	.PIN, SPRING	1	EH (EH)
65	90501-10071-00	..SPRING, COMPRESSION	1	EH (EH)
66	90101-08M88-00	BOLT	2	
67	92995-08600-00	WASHER	2	
68	90185-08057-00	NUT, SELF-LOCKING	2	
69	90201-08MA4-00	WASHER, PLATE	2	

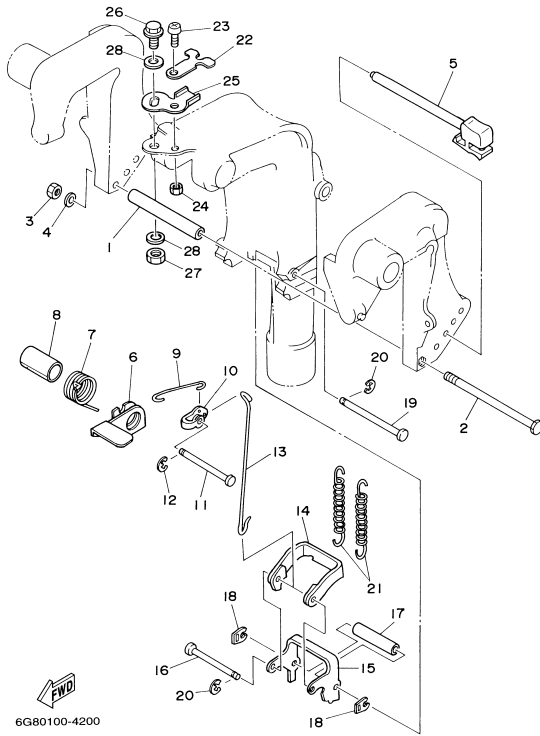
## Part Notes

T9.9EXHZ 2001 / BRACKET 1

PART NUMBER	NOTE TEXT
92990-06600-00 	OEM: This part number is among the Top 100 Most Popular Marine Maintenance Parts as of March 2014.

©2014 Yamaha Motor Corporation, U.S.A. All rights reserved.

T9.9EXHZ 2001 / BRACKET 2



©2014 Yamaha Motor Corporation, U.S.A. All rights reserved.


## Part List

T9.9EXHZ 2001 / BRACKET 2

REF - NO	PART NUMBER	PART NAME	QUANTITY	REMARKS
1	90387-06M09-00	COLLAR	1	
2	97095-06135-00	BOLT	1	
3	95380-06700-00	NUT	1	
4	92990-06600-00	WASHER, PLATE	1	
5	6G8-43160-01-00	TILT ROD ASSY	1	
6	6G8-43631-03-00	LEVER, TILT	1	
7	90508-18M33-00	SPRING, TORSION	1	
8	90386-20M94-00	BUSH	1	
9	6G8-43616-00-00	ROD, TILT LOCK	1	
10	682-43641-00-00	LEVER, TILT	1	
11	90249-06M20-00	PIN	1	
12	99080-05600-00	CIRCLIP	1	
13	6G8-43617-00-00	ROD, TILT LOCK	1	
14	682-43614-00-00	PLATE, TILT LOCK	1	
15	682-43615-01-00	PLATE, TILT LOCK	1	
16	682-43611-01-00	SHAFT, TILT LOCK	1	
17	90387-06M20-00	COLLAR	1	
18	682-43673-00-00	WASHER 1	2	WITHOUT SHALLOW WATER DRIVE
19	682-43659-00-00	SHAFT, REVERSE LOCK	1	
20	99080-05600-00	CIRCLIP	2	
21	90506-29M16-00	SPRING, TENSION	2	
22	6G8-43319-03-94	PLATE	1	EH (EH)
23	90157-06M18-00	SCREW, PAN HEAD	1	EH (EH)
24	95380-06600-00	NUT, HEXAGON	1	EH (EH)
25	6G8-42512-02-94	PLATE, CONTROL	1	EH (EH)
26	97095-10020-00	BOLT	1	EH (EH)
27	95380-10700-00	NUT	1	EH (EH)
28	90201-10M76-00	.WASHER, PLATE	2	EH (EH)

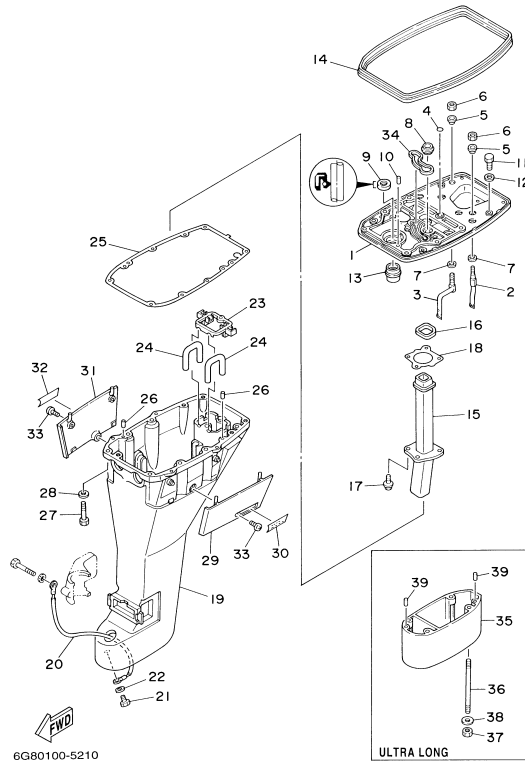
## Part Notes

T9.9EXHZ 2001 / BRACKET 2

PART NUMBER	NOTE TEXT
92990-06600-00 	OEM: This part number is among the Top 100 Most Popular Marine Maintenance Parts as of March 2014.

©2014 Yamaha Motor Corporation, U.S.A. All rights reserved.

T9.9EXHZ 2001 / UPPER CASING



©2014 Yamaha Motor Corporation, U.S.A. All rights reserved.

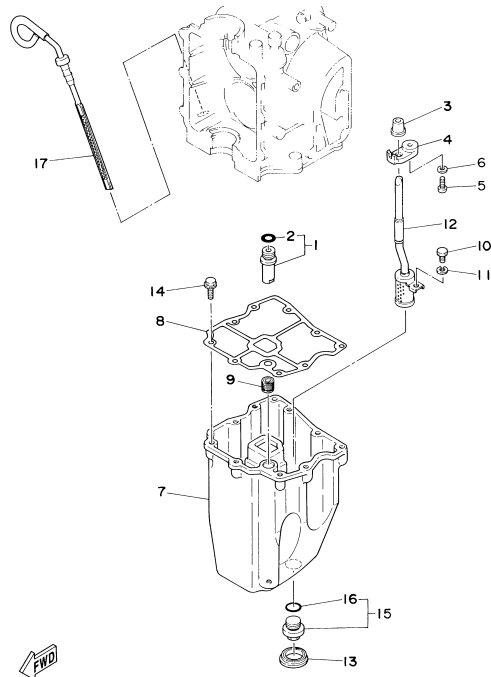
## Part List

T9.9EXHZ 2001 / UPPER CASING

REF - NO	PART NUMBER	PART NAME	QUANTITY	REMARKS
1	6G8-41137-04-94	GUIDE, EXHAUST	1	
2	6G8-12483-00-00	PIPE 3	1	
3	6G8-12484-00-00	PIPE 4	1	
4	93210-08M60-00	O-RING	1	
5	90386-10M70-00	BUSH	2	
6	95380-10700-00	NUT	2	
7	90202-10M03-00	WASHER, PLATE	2	
8	6G8-44367-00-00	DAMPER, WATER SEAL	1	
9	93101-13M27-00	O-RING	1	
10	93606-12019-00	.PIN, DOWEL	2	
11	97013-06020-00	BOLT	2	
12	92903-06600-00	WASHER, PLATE	2	
13	6G8-45135-00-00	PIPE	1	
14	6G8-42716-00-00	RUBBER, SEAL 1	1	
15	6G8-41131-01-00	MANIFOLD, EXT. 1	1	
16	6G8-41138-00-00	SEAL, EXT. 1	1	
17	90105-06M33-00	BOLT, FLANGE	4	
18	6G8-41133-A0-00	GASKET, EXHAUST MANIFOLD 1	1	
19	6G8-45111-13-4D	CASING, UPPER	1	
20	6G8-82149-00-00	WIRE, LEAD 3	1	
21	97095-06012-00	BOLT	1	
22	92995-06600-00	WASHER	1	
23	6G8-45151-10-00	COVER, UPPER CASING	1	
24	6G8-45136-00-00	PIPE	2	
25	6G8-45113-A1-00	.GASKET, UPPER CASING	1	
26	93606-12019-00	.PIN, DOWEL	2	
27	97095-08040-00	BOLT	6	
28	92995-08600-00	WASHER	6	
29	6G8-42741-00-4D	APRON	1	
30	6G8-42791-00-00	MARK 1	1	
31	6G8-42771-00-4D	APRON	1	
32	6G8-42792-00-00	MARK	1	
33	90157-06M04-00	SCREW, PAN HEAD	2	
34	6G8-11355-00-00	SEAL, CYLINDER 1	1	
35	6G8-45211-20-4D	EXTENSION	1	X
36	90116-08M19-00	BOLT, STUD	4	X
37	95380-08600-00	NUT	4	X
38	92990-08600-00	..WASHER, PLATE	4	X
39	93606-12019-00	.PIN, DOWEL	2	X



T9.9EXHZ 2001 / OIL PAN



  
6G90010-4210

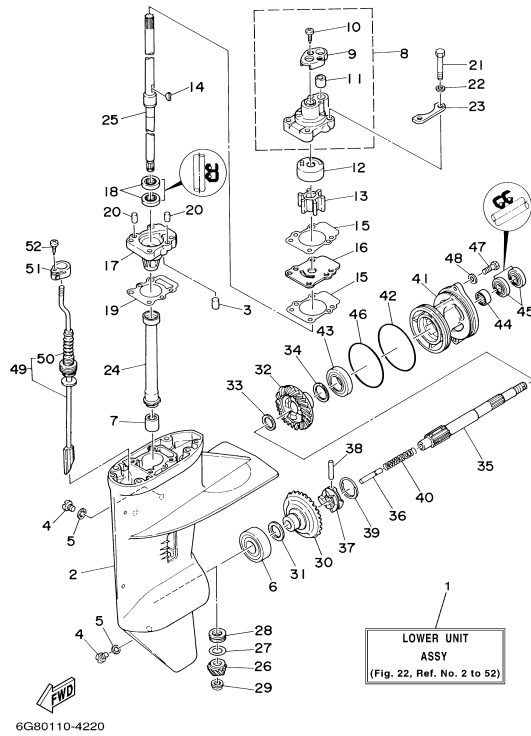
©2014 Yamaha Motor Corporation, U.S.A. All rights reserved.

## Part List

T9.9EXHZ 2001 / OIL PAN

REF - NO	PART NUMBER	PART NAME	QUANTITY	REMARKS
1	6G8-11575-00-00	RELIEF VALVE ASSY	1	
2	93210-12M62-00	.O-RING	1	
3	6G8-15379-00-00	SEAL, CRANKCASE	1	
4	6G8-13487-00-00	GUIDE, OIL HOSE	1	
5	97880-05012-00	SCREW, PAN HEAD	1	
6	92990-05600-00	WASHER, PLATE	1	
7	6G8-15311-03-0D	OIL PAN	1	
8	6G8-15312-A1-00	.GASKET, OIL PAN	1	
9	6G8-45127-00-00	SEAL	1	
10	97013-06010-00	BOLT	1	
11	92903-06100-00	WASHER, SPRING	1	
12	6G8-13421-00-00	STRAINER 2	1	
13	6G8-15316-00-00	DAMPER, ENGINE MOUNT 1	1	
14	90105-06M33-00	BOLT, FLANGE	9	
15	6G8-13471-00-00	PLUG, DRAIN	1	
16	93210-16M64-00	.O-RING	1	
17	6G8-15362-04-00	PLUG, OIL LEVEL	1	

T9.9EXHZ 2001 / LOWER CASING DRIVE 1




## Part List

T9.9EXHZ 2001 / LOWER CASING DRIVE 1

REF - NO	PART NUMBER	PART NAME	QUANTITY	REMARKS
1	6G8-45300-26-4D	LOWER UNIT ASSY	1	X
1	6G8-45300-16-4D	LOWER UNIT ASSY	1	L
2	6G8-45311-04-4D	CASING, LOWER	1	
3	93604-08062-00	PIN, DOWEL	1	
4	90340-08M04-00	PLUG, STRAIGHT SCREW	3	
5	90430-08020-00	.GASKET	3	
6	93332-00005-00	BEARING	1	
7	93315-213V4-00	BEARING	1	
8	682-44300-01-00	HOUSING, WATER PUMP	1	
9	682-44312-00-00	.COVER, WATER PUMP HOUSING	1	
10	97780-40112-00	.SCREW, TAPPING	2	
11	682-44365-00-00	.DAMPER, WATER SEAL	1	
12	682-44322-00-00	INSERT, CARTRIDGE	1	
13	682-44323-01-00	IMPELLER	1	
14	90280-03024-00	.KEY, WOODRUFF	1	
15	682-44315-A0-00	GASKET, WATER PUMP	2	
16	682-44323-00-00	OUTER PLATE, CARTRIDGE	1	
17	6G8-45331-00-5B	HOUSING, BEARING	1	
18	93101-20048-00	.OIL SEAL	2	
19	6G8-45315-A0-00	PACKING, LOWER CASING	1	
20	93606-12019-00	.PIN, DOWEL	2	
21	97095-06045-00	.BOLT	4	
22	92995-06600-00	WASHER	4	
23	682-44328-00-00	PLATE	2	
24	6G8-45536-00-00	SLEEVE, DRIVE SHAFT	1	
25	6G8-45501-20-00	DRIVE SHAFT COMP.	1	X
25	6G8-45501-10-00	DRIVE SHAFT COMP.	1	L
26	6G8-45551-00-00	PINION (13T)	1	
27	6G8-45587-00-10	SHIM (T:0.10MM)	1	UR
27	6G8-45587-00-14	SHIM (T:0.14MM)	1	UR
27	6G8-45587-00-50	SHIM (T:0.50MM)	1	UR
27	6G8-45587-00-35	SHIM (T:0.35MM)	1	UR
27	6G8-45587-00-18	SHIM (T:0.18MM)	1	UR
28	93341-313U3-00	BEARING	1	
29	90179-08M06-00	NUT	1	
30	6G8-45560-00-00	GEAR	1	
31	626-45577-00-01	SHIM (T:0.10MM)	1	UR
31	626-45577-00-05	SHIM (T:0.50MM)	1	UR
31	626-45577-00-03	SHIM (T:0.30MM)	1	UR
32	6G8-45571-00-00	GEAR 2 (38T)	1	
33	90201-17682-00	WASHER, PLATE	1	
34	626-45577-00-01	SHIM (T:0.10MM)	1	UR
34	626-45577-00-05	SHIM (T:0.50MM)	1	UR
34	626-45577-00-03	SHIM (T:0.30MM)	1	UR
35	6G8-45611-00-00	SHAFT, PROPELLER	1	
36	650-45635-00-00	PLUNGER, SHIFT	1	
37	682-45631-00-00	CLUTCH, DOG	1	
38	90250-05010-00	PIN, STRAIGHT	1	
39	648-45633-00-00	RING, CROSS PIN	1	
40	90501-14M06-00	SPRING, COMPRESSION	1	
41	6G8-45361-01-4D	CAP, LOWER CASING	1	
42	93210-74316-00	.O-RING	1	
43	93306-00501-00	BEARING	1	
44	93315-317U2-00	BEARING	1	
45	93101-17054-00	.OIL SEAL	2	
46	93210-74M68-00	.O-RING	1	
47	97095-06020-00	BOLT	2	
48	92995-06600-00	WASHER	2	
49	6G8-44150-20-00	SHIFT CAM ASSY	1	X
49	6G8-44150-10-00	SHIFT CAM ASSY	1	L
50	682-44147-00-00	.BOOT, SHIFT ROD	1	
51	682-44176-00-00	BRACKET	1	
52	97780-50510-00	SCREW, TAPPING	1	

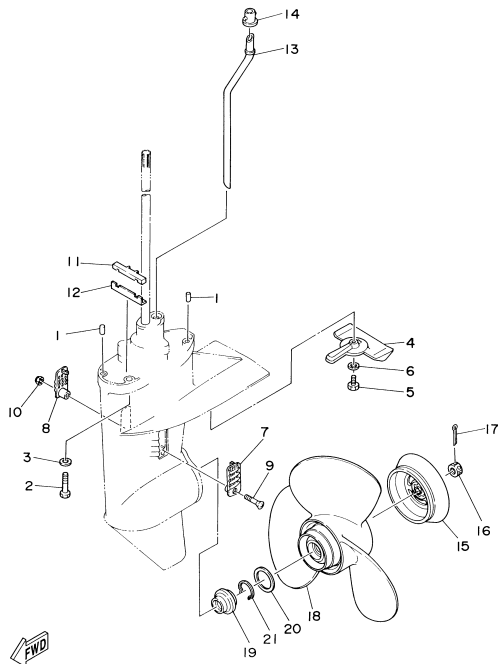
## Part Notes

T9.9EXHZ 2001 / LOWER CASING DRIVE 1

PART NUMBER	NOTE TEXT
90430-08020-00 	OEM: This part number is among the Top 100 Most Popular Marine Maintenance Parts as of March 2014.

©2014 Yamaha Motor Corporation, U.S.A. All rights reserved.

T9.9EXHZ 2001 / LOWER CASING DRIVE 2



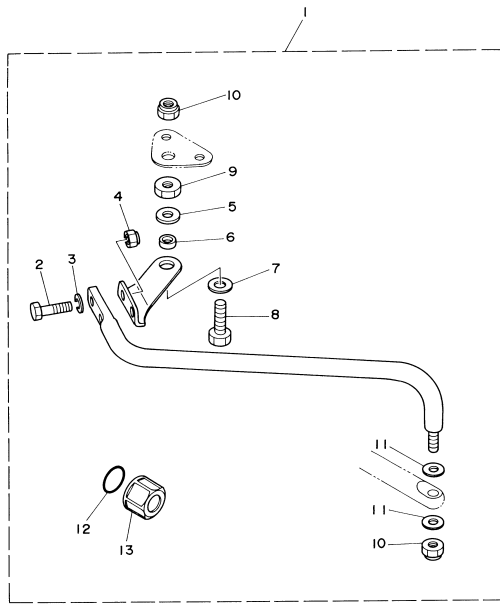
6G80100-4240

## Part List

T9.9EXHZ 2001 / LOWER CASING DRIVE 2

REF - NO	PART NUMBER	PART NAME	QUANTITY	REMARKS
1	93606-12019-00	.PIN, DOWEL	2	
2	97075-08035-00	BOLT	4	
3	92995-08600-00	WASHER	4	
4	6G8-45251-00-00	ANODE	1	
5	95895-06020-00	BOLT, FLANGE	1	
6	92990-06300-00	WASHER, INTERNAL TOOTH	1	
7	6G8-45214-00-00	COVER, WATER INLET 1	1	
8	6G8-45215-00-00	COVER, WATER INLET 2	1	
9	90152-05M04-00	SCREW, COUNTERSUNK	1	
10	90185-05002-00	NUT, NYLON	1	
11	682-45375-01-00	DAMPER, SEAL	1	
12	682-45376-01-00	GUIDE, SEAL DAMPER	1	
13	6G8-44361-20-00	TUBE, WATER	1	X
13	6G8-44361-10-00	TUBE, WATER	1	L
14	626-44365-01-00	DAMPER, WATER SEAL	1	
15	6G8-45986-00-00	RING, DEFLECTOR	1	
16	90171-10M07-00	NUT, CASTLE	1	
17	91490-30025-00	PIN. COTTER	1	
18	6G8-45941-00-00	PROPELLER (3X11" X 11-3/4"-R)	1	UR
18	6G8-45947-00-EL	PROPELLER (3X11-3/4"X9-1/4"-R)	1	UR ALUMINIUM
18	6G8-45945-00-00	PROPELLER(3X11-3/4"X12-1/4"-R)	1	UR
18	6G8-45943-00-00	PROPELLER (3X11-3/4"X9-1/4"-R)	1	UR
19	6G8-45987-02-00	SPACER 1	1	
20	90201-31MA3-00	WASHER, PLATE	1	
21	93450-10M04-00	CIRCLIP	1	

T9.9EXHZ 2001 / STEERING GUIDE



6G80100-9270

©2014 Yamaha Motor Corporation, U.S.A. All rights reserved.

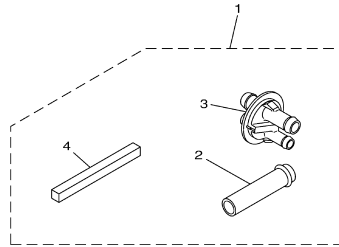
## Part List

T9.9EXHZ 2001 / STEERING GUIDE

REF - NO	PART NUMBER	PART NAME	QUANTITY	REMARKS
1	6G8-61350-00-00	STEERING GUIDE ATTACHMENT KIT	1	AP ER (ER)
2	97075-08025-00	.BOLT	2	(ER)
3	92995-08600-00	.WASHER	2	(ER)
4	90185-08057-00	.NUT, SELF-LOCKING	2	(ER)
5	90201-10M04-00	.WASHER, PLATE	1	(ER)
6	90387-10M06-00	.COLLAR	1	(ER)
7	90201-10M63-00	.WASHER, PLATE	1	(ER)
8	6E5-61355-00-00	.BOLT	1	(ER)
9	90170-09M03-00	.NUT	1	(ER)
10	90185-09M01-00	.NUT, SELF-LOCKING	2	(ER)
11	90201-10M20-00	.WASHER, PLATE	2	(ER)
12	93210-16275-00	.O-RING	1	(ER)
13	6E5-43145-01-00	.CAP, CLAMP BRACKET	1	(ER)



T9.9EXHZ 2001 / OPTIONAL PARTS 1



6G80100-1310

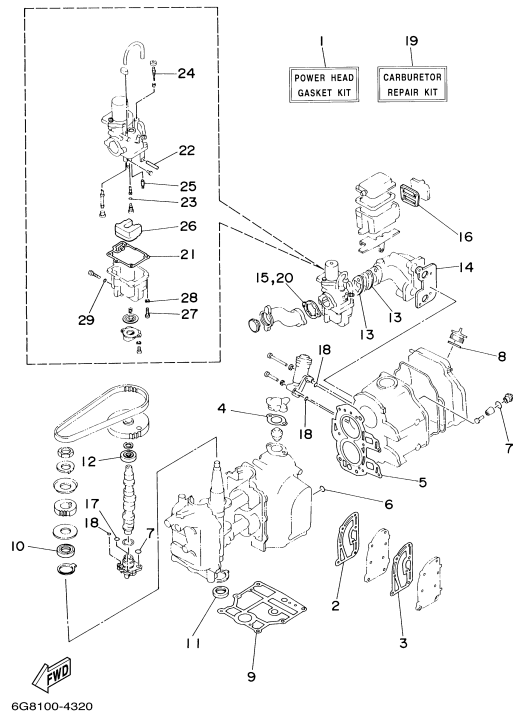
©2014 Yamaha Motor Corporation, U.S.A. All rights reserved.

## Part List

T9.9EXHZ 2001 / OPTIONAL PARTS 1

REF - NO	PART NUMBER	PART NAME	QUANTITY	REMARKS
1	6G8-W4537-00-00	WELL-TYPE EXHAUST KIT	1	AP
2	6G8-14611-00-00	.PIPE, EXHAUST 1	1	
3	6G8-44391-10-00	.NIPPLE, HOSE	1	
4	6G8-45375-10-00	.DAMPER, SEAL	1	

T9.9EXHZ 2001 / REPAIR KIT 1



6G8100-4320

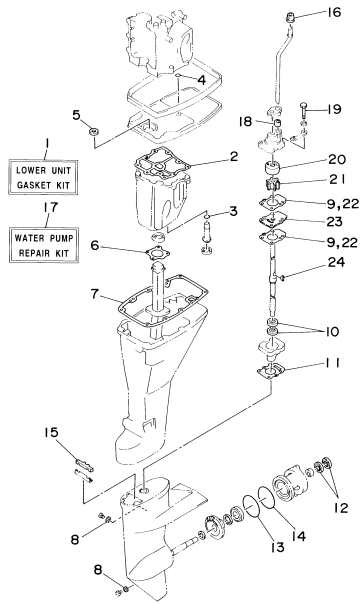
©2014 Yamaha Motor Corporation, U.S.A. All rights reserved.

## Part List

T9.9EXHZ 2001 / REPAIR KIT 1

REF - NO	PART NUMBER	PART NAME	QUANTITY	REMARKS
1	6G8-W0001-A3-00	POWER HEAD GASKET KIT	1	
2	6G8-41112-02-00	.GASKET, EXHAUST INNER COVER	1	
3	6G8-41114-00-00	.GASKET, EXHAUST OUTER COVER	1	
4	6G8-12414-A0-00	.GASKET, COVER	1	
5	6G8-11181-A1-00	.GASKET, CYLINDER HEAD 1	1	
6	93210-11M59-00	.O-RING	1	
7	93210-13M63-00	.O-RING	3	
8	93210-24M79-00	.O-RING	1	
9	6G8-11351-A0-00	.GASKET, CYLINDER	1	
10	93102-30M22-00	.OIL SEAL	1	
11	93101-25M24-00	.OIL SEAL	1	
12	93102-18M21-00	.OIL SEAL	1	
13	6G8-13646-A0-00	.GASKET, MANIFOLD 2	2	
14	6G8-13645-00-00	.GASKET, MANIFOLD 1	1	
15	6G8-14198-A0-00	.GASKET	1	
16	6G8-15374-00-00	.GASKET, BREATHER	1	
17	93210-10M61-00	.O-RING	1	
18	93210-09M01-00	.O-RING	3	
19	6G8-W0093-03-00	CARBURETOR REPAIR KIT	1	
20	6G8-14198-A0-00	.GASKET	1	
21	6G8-14384-01-00	.GASKET, FLOAT CHAMBER	1	
22	647-14386-00-00	.PIN, FLOAT	1	
23	654-14198-00-00	.GASKET	1	
24	6G8-14323-00-00	.SCREW, AIR ADJUSTING	1	
25	6G8-14392-00-00	.VALVE, NEEDLE	1	
26	6G8-14385-00-00	.FLOAT	1	
27	98580-04016-00	.SCREW, PAN HEAD	1	
28	92903-04100-00	.WASHER	1	
29	5Y1-14397-00-00	.O-RING	1	

T9.9EXHZ 2001 / REPAIR KIT 2



  
6GB0100-4330


## Part List

T9.9EXHZ 2001 / REPAIR KIT 2

REF - NO	PART NUMBER	PART NAME	QUANTITY	REMARKS
1	6G8-W0001-C6-00	LOWER UNIT GASKET KIT	1	
2	6G8-15312-A1-00	.GASKET, OIL PAN	1	
3	93210-16M64-00	.O-RING	1	
4	93210-08M60-00	.O-RING	1	
5	93101-13M27-00	.O-RING	1	
6	6G8-41133-A0-00	.GASKET, EXHAUST MANIFOLD 1	1	
7	6G8-45113-A1-00	.GASKET, UPPER CASING	1	
8	90430-08020-00	.GASKET	3	
9	682-44315-A0-00	.GASKET, WATER PUMP	2	
10	93101-20048-00	.OIL SEAL	2	
11	6G8-45315-A0-00	.PACKING, LOWER CASING	1	
12	93101-17054-00	.OIL SEAL	2	
13	93210-74M68-00	.O-RING	1	
14	93210-74316-00	.O-RING	1	
15	682-45375-01-00	.DAMPER, SEAL	1	
16	626-44365-01-00	.DAMPER, WATER SEAL	1	
17	682-W0078-A2-00	WATER PUMP REPAIR KIT	1	
18	682-44365-00-00	.DAMPER, WATER SEAL	1	
19	97095-06045-00	.BOLT	4	
20	682-44322-00-00	.INSERT, CARTRIDGE	1	
21	682-44352-01-00	.IMPELLER	1	
22	682-44315-A0-00	.GASKET, WATER PUMP	2	
23	682-44323-00-00	.OUTER PLATE, CARTRIDGE	1	
24	90280-03024-00	.KEY, WOODRUFF	1	

## Part Notes

T9.9EXHZ 2001 / REPAIR KIT 2

PART NUMBER	NOTE TEXT
90430-08020-00 	OEM: This part number is among the Top 100 Most Popular Marine Maintenance Parts as of March 2014.

©2014 Yamaha Motor Corporation, U.S.A. All rights reserved.

T9.9EXHZ 2001 / MODELS IN THIS CATALOG

**T9.9ELHZ (6G80)** Engine Serial No. T9.9ELHZ: 6G8L-474408 and following

**T9.9ELRZ (6G80)** Engine Serial No. T9.9ELRZ: 6G8L-416517 and following

**T9.9EXHZ (6G80)** Engine Serial No. T9.9EXHZ: 6G8X-790075 and following

**T9.9EXRZ (6G80)** Engine Serial No. T9.9EXRZ: 6G8X-763983 and following

**ALL THESE MODELS USE THIS SAME PARTS CATALOG.  
BE SURE TO ORDER ONLY THOSE PARTS APPLICABLE  
TO THE DESIRED MODEL.**

©2014 Yamaha Motor Corporation, U.S.A. All rights reserved.

©2014 Yamaha Motor Corporation, U.S.A. All rights reserved.