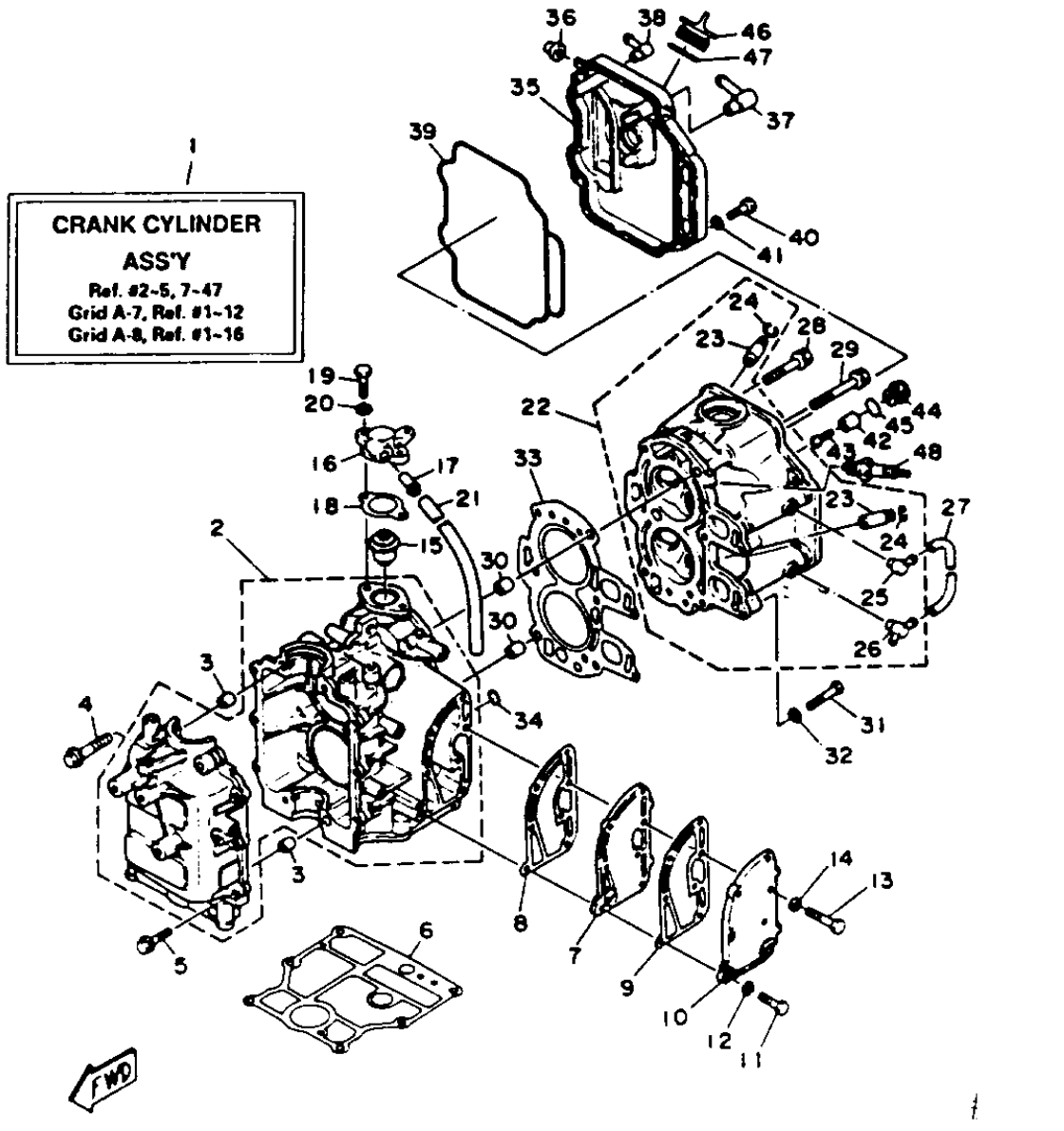


T9.9EXHR 1993 / CYLINDER CRANKCASE



©2014 Yamaha Motor Corporation, U.S.A. All rights reserved.



Part List




T9.9EXHR 1993 / CYLINDER CRANKCASE

REF - NO	PART NUMBER	PART NAME	QUANTITY	REMARKS
1	6G8-W0090-30-EK	CRANK-CYLINDER ASSEMBLY	1	UR METALLIC MARINE SILVER
1	6G8-W0090-30-EL	CRANK-CYLINDER ASSEMBLY	1	UR HARBOR WHITE
2	6G8-15100-05-94	CRANKCASE ASSEMBLY	1	
3	99510-10114-00	PIN, DOWEL	2	
4	90119-08M18-00	BOLT, WITH WASHER	4	
5	90119-06M12-00	BOLT, WITH WASHER	6	
6	6G8-11351-A0-00	GASKET, CYLINDER	1	
7	6G8-41111-02-9M	INNER COVER, EXHAUST	1	
8	6G8-41112-02-00	GASKET, EXHAUST INNER COVER	1	
9	6G8-41114-00-00	GASKET, EXHAUST OUTER COVER	1	
10	6G8-41113-01-9M	OUTER COVER, EXHAUST	1	
11	97313-06025-00	BOLT	2	
12	92990-06600-00	WASHER, PLATE	2	
13	97313-06030-00	BOLT	5	
14	92990-06600-00	WASHER, PLATE	5	
15	6G8-12411-02-00	THERMOSTAT	1	
16	6G8-12413-00-94	COVER, THERMOSTAT (6G8-12413-00-9M)	1	
17	6E5-24377-00-00	PIPE, JOINT 2	1	
18	6G8-12414-A0-00	.GASKET, COVER	1	
19	97313-06020-00	BOLT, HEXAGON	2	
20	92990-06600-00	WASHER, PLATE	2	
21	90445-11M66-00	.HOSE (L410)	1	
22	6G8-11111-02-94	HEAD, CYLINDER 1	1	
23	6G8-11133-10-00	.GUIDE, VALVE 1	4	
24	93450-09M01-00	.CIRCLIP	4	
25	676-11372-00-00	.NIPPLE, HOSE	1	
26	6G8-11372-01-00	.NIPPLE, HOSE	1	
27	6G8-12481-00-00	PIPE 1	1	
28	90105-08M37-00	BOLT, FLANGE	3	
29	90105-08M36-00	BOLT, FLANGE	3	
30	99510-10114-00	PIN, DOWEL	2	
31	97013-06035-00	BOLT	2	
32	92990-06600-00	WASHER, PLATE	2	
33	6G8-11181-A0-00	GASKET, CYLINDER HEAD 1	1	
34	93210-11M59-00	O-RING	1	
35	6G8-11191-01-94	COVER, CYLINDER HEAD 1	1	
36	6G8-81336-00-00	GROMMET	2	
37	6G8-15373-00-00	PIPE, BREATHER	1	
38	676-11372-00-00	.NIPPLE, HOSE	1	
39	6G8-11356-00-00	SEAL, CYLINDER 2	1	
40	97313-06020-00	BOLT, HEXAGON	4	
41	92990-06600-00	WASHER, PLATE	4	
42	6G8-11325-00-00	ANODE	1	
43	98580-05525-00	SCREW, PAN HEAD	1	
44	6G8-11197-00-00	PLUG, BLIND	1	
45	93210-13M63-00	.O-RING	1	
46	6G8-15363-00-00	PLUG, OIL	1	
47	93210-25070-00	O-RING	1	
48	NGK-CR6HS-00-00	PLUG SPARK (NGK CR6HS)	2	

Part Notes

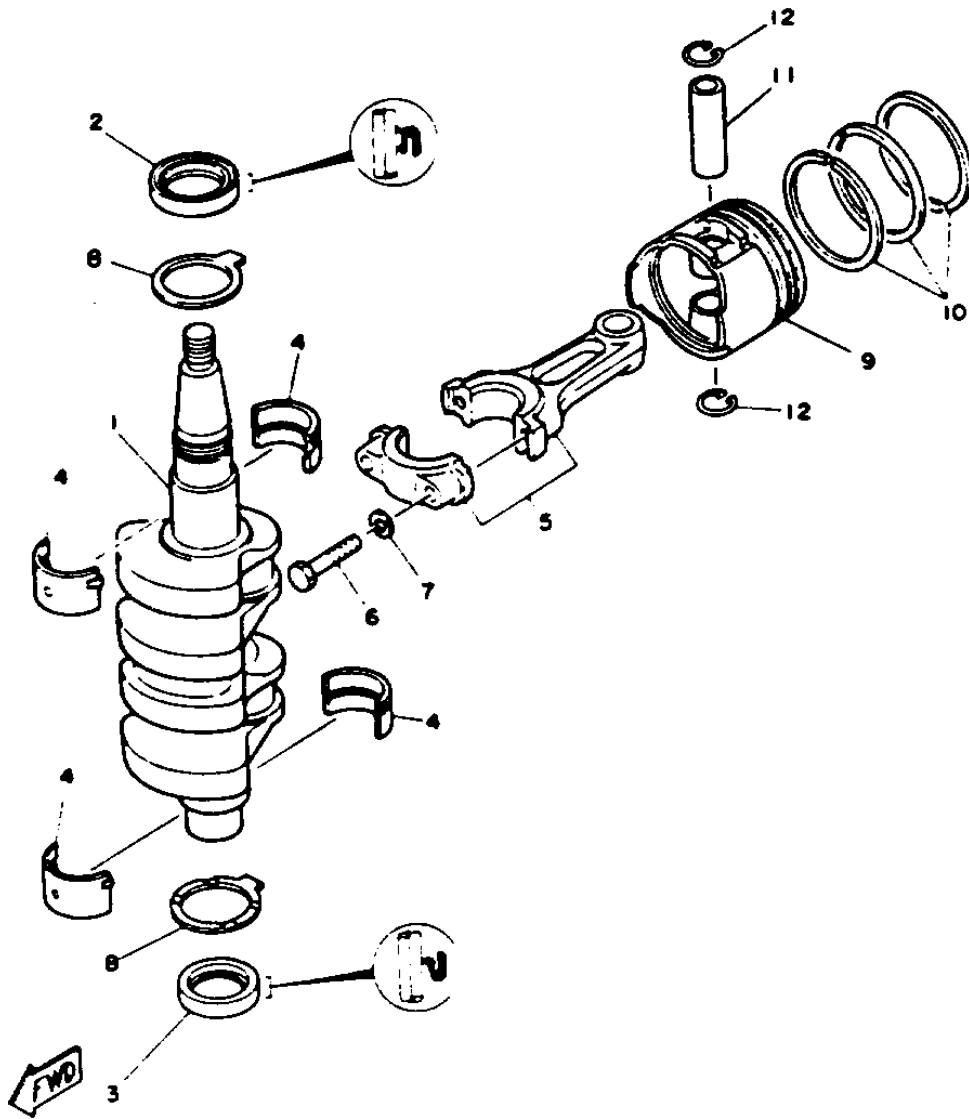
T9.9EXHR 1993 / CYLINDER CRANKCASE

PART NUMBER	NOTE TEXT
92990-06600-00 	OEM: This part number is among the Top 100 Most Popular Marine Maintenance Parts as of March 2014.
92990-06600-00 	OEM: This part number is among the Top 100 Most Popular Marine Maintenance Parts as of March 2014.
92990-06600-00	OEM: This part number is among the Top 100 Most Popular Marine Maintenance Parts as of March 2014.

		
92990-06600-00		OEM: This part number is among the Top 100 Most Popular Marine Maintenance Parts as of March 2014.
92990-06600-00		OEM: This part number is among the Top 100 Most Popular Marine Maintenance Parts as of March 2014.

©2014 Yamaha Motor Corporation, U.S.A. All rights reserved.

T9.9EXHR 1993 / CRANKSHAFT PISTON



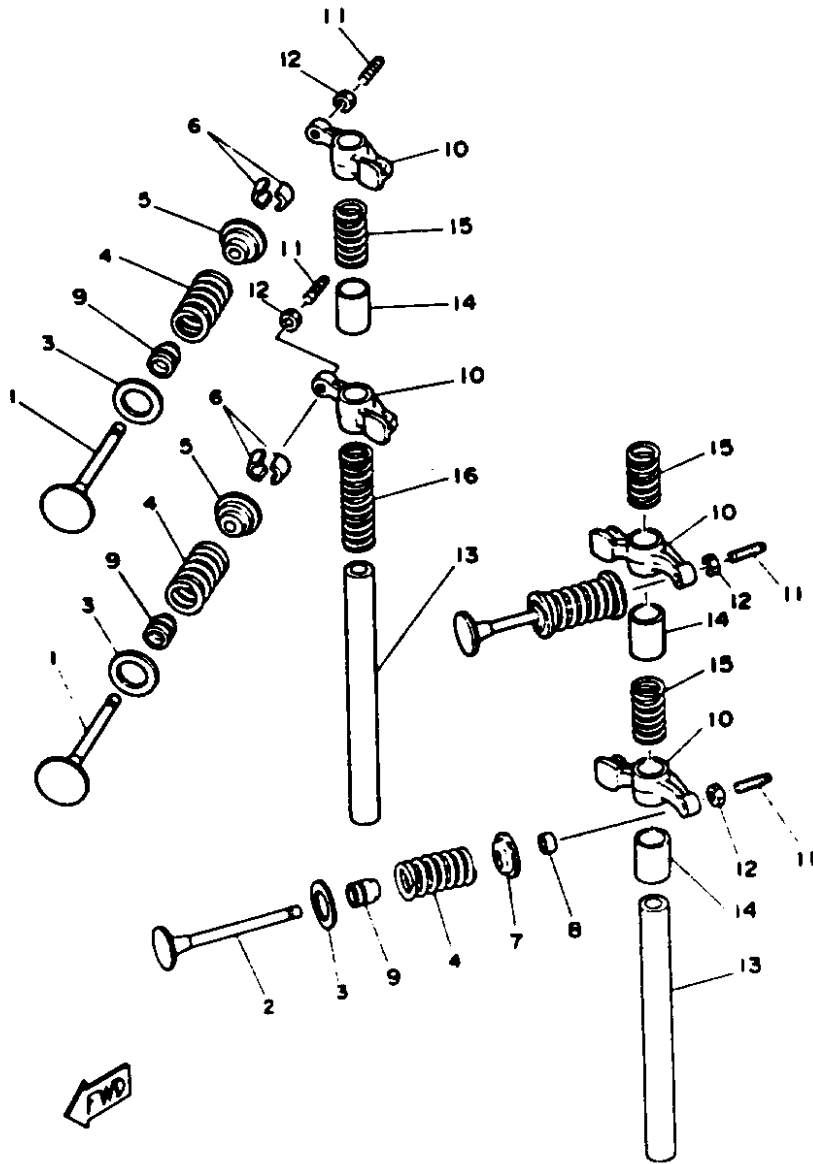
©2014 Yamaha Motor Corporation, U.S.A. All rights reserved.

Part List

T9.9EXHR 1993 / CRANKSHAFT PISTON

REF - NO	PART NUMBER	PART NAME	QUANTITY	REMARKS
1	6G8-11411-04-00	CRANKSHAFT	1	
2	93102-30M22-00	.OIL SEAL	1	
3	93101-25M24-00	OIL SEAL	1	
4	6G8-11416-10-00	PLANE BEARING, CRANKSHAFT 1	4	UR BLACK
4	6G8-11416-00-00	PLANE BEARING, CRANKSHAFT 1	4	UR BROWN
4	6G8-11416-20-00	PLANE BEARING, CRANKSHAFT 1	4	UR BLUE
5	6G8-11650-03-00	CONNECTING ROD ASSY	2	
6	6G8-11654-00-00	BOLT, CONNECTING ROD	4	
7	90201-06M00-00	WASHER, PLATE	4	
8	6G8-11426-00-00	PLANE BEARING, CRANKSHAFT 1	2	
9	6G8-11631-03-96	PISTON (STD)	2	
9	6G8-11636-03-00	PISTON (0.50MM O/S)	2	AP
10	6G8-11610-02-00	PISTON RING SET (STD)	2	
10	6G8-11610-22-00	PISTON RING SET (0.50MM O/S)	2	AP
11	634-11633-00-00	PIN, PISTON	2	
12	93450-15023-00	CIRCLIP	4	

T9.9EXHR 1993 / VALVE



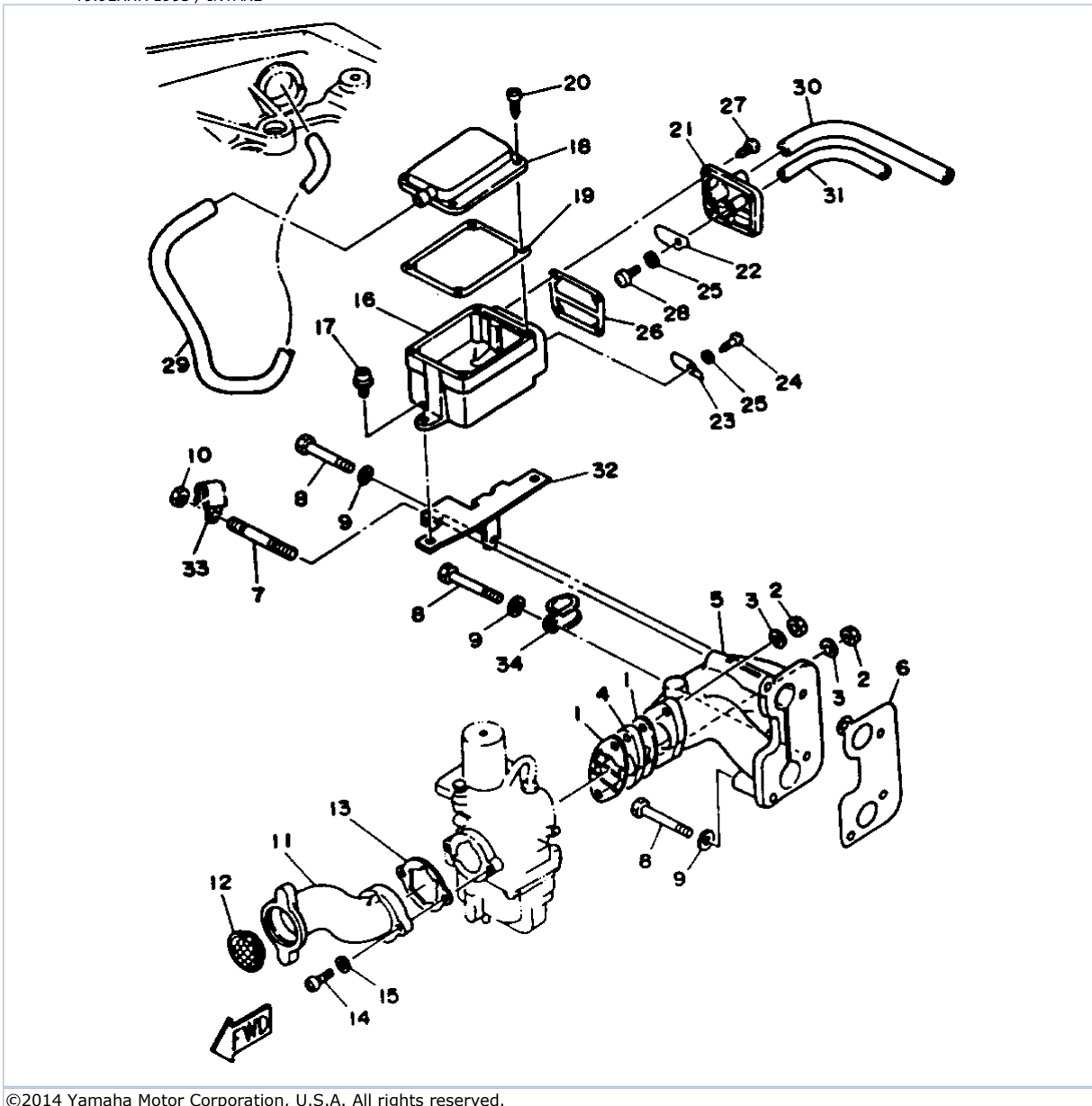
©2014 Yamaha Motor Corporation, U.S.A. All rights reserved.

Part List

T9.9EXHR 1993 / VALVE

REF - NO	PART NUMBER	PART NAME	QUANTITY	REMARKS
1	6G8-12111-00-00	VALVE, INTAKE	2	
2	6G8-12121-01-00	VALVE, EXHAUST	2	
3	6G8-12116-00-00	SEAT, VALVE SPRING	4	
4	6G8-12113-00-00	SPRING, VALVE INNER	4	
5	6G8-12117-00-00	RETAINER, VALVE SPRING	2	
6	30X-12118-00-00	LOCK, VALVE SPRING RETAINER	4	
7	6G8-12117-10-00	RETAINER, VALVE SPRING	2	
8	6G8-12153-00-00	LIFTER, VALVE	2	
9	51Y-12119-00-00	SEAL, VALVE STEM	4	
10	6G8-12151-00-00	ARM, VALVE ROCKER	4	
11	6G8-12159-00-00	SCREW, VALVE ADJUSTING	4	
12	6G8-12158-00-00	NUT, LOCK	4	
13	6G8-12146-00-00	SHAFT, ROCKER	2	
14	90387-13M56-00	COLLAR	3	
15	90501-12M40-00	SPRING, COMPRESSION	3	
16	90501-12M41-00	SPRING, COMPRESSION	1	

T9.9EXHR 1993 / INTAKE



©2014 Yamaha Motor Corporation, U.S.A. All rights reserved.



Part List

T9.9EXHR 1993 / INTAKE

REF - NO	PART NUMBER	PART NAME	QUANTITY	REMARKS
1	6G8-13646-A0-00	GASKET, MANIFOLD 2	2	
2	95380-06700-00	NUT	2	
3	92990-06600-00	WASHER, PLATE	2	
4	6G8-13647-00-00	GASKET, MANIFOLD 3	1	
5	6G8-13641-01-94	MANIFOLD 1	1	
6	6G8-13645-00-00	GASKET, MANIFOLD 1	1	
7	90116-06M15-00	BOLT, STUD	1	
8	97395-06045-00	BOLT, HEXAGON	3	
9	92990-06600-00	WASHER, PLATE	3	
10	95380-06700-00	NUT	1	
11	6G8-14479-01-94	FUNNEL	1	
12	6G8-14478-00-00	LOUVER	1	
13	6G8-14198-A0-00	.GASKET	1	
14	98580-05016-00	SCREW, PAN HEAD	2	
15	92990-05600-00	WASHER, PLATE	2	
16	6G8-15358-00-00	SEPARATOR, OIL	1	
17	90159-06M05-00	SCREW, WITH WASHER	2	
18	6G8-15368-00-94	SEPERATOR, OIL	1	
19	6G8-15369-00-00	GASKET, OIL SEAL HOUSING	1	
20	97780-40112-00	SCREW, TAPPING	4	
21	6G8-15371-00-94	BREATHER	1	
22	6G8-15346-00-00	BREATHER 1	1	
23	6G8-15347-00-00	BREATHER 2	1	
24	97780-40112-00	SCREW, TAPPING	1	
25	92990-04200-00	WASHER	2	
26	6G8-15374-00-00	GASKET, BREATHER	1	
27	97780-40112-00	SCREW, TAPPING	4	
28	98580-04010-00	.SCREW, PAN HEAD	1	
29	6G8-15393-00-00	PIPE, BREATHER 2	1	
30	90445-11M52-00	HOSE (L150)	1	
31	90445-09065-00	HOSE (L90)	1	
32	6G8-15376-00-00	HOLDER, GUIDE	1	
33	90465-08028-00	CLAMP	1	
34	90461-06M01-00	CLAMP	1	

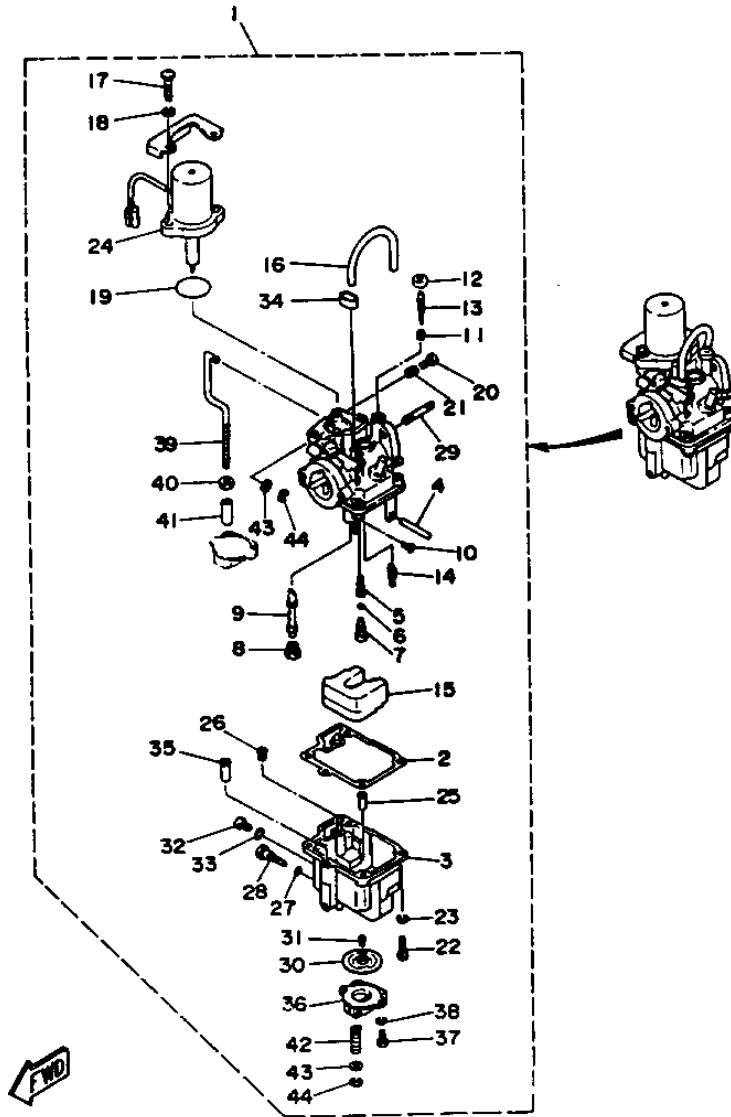
Part Notes

T9.9EXHR 1993 / INTAKE

PART NUMBER		NOTE TEXT
92990-06600-00		OEM: This part number is among the Top 100 Most Popular Marine Maintenance Parts as of March 2014.
92990-06600-00		OEM: This part number is among the Top 100 Most Popular Marine Maintenance Parts as of March 2014.

©2014 Yamaha Motor Corporation, U.S.A. All rights reserved.

T9.9EXHR 1993 / CARBURETOR



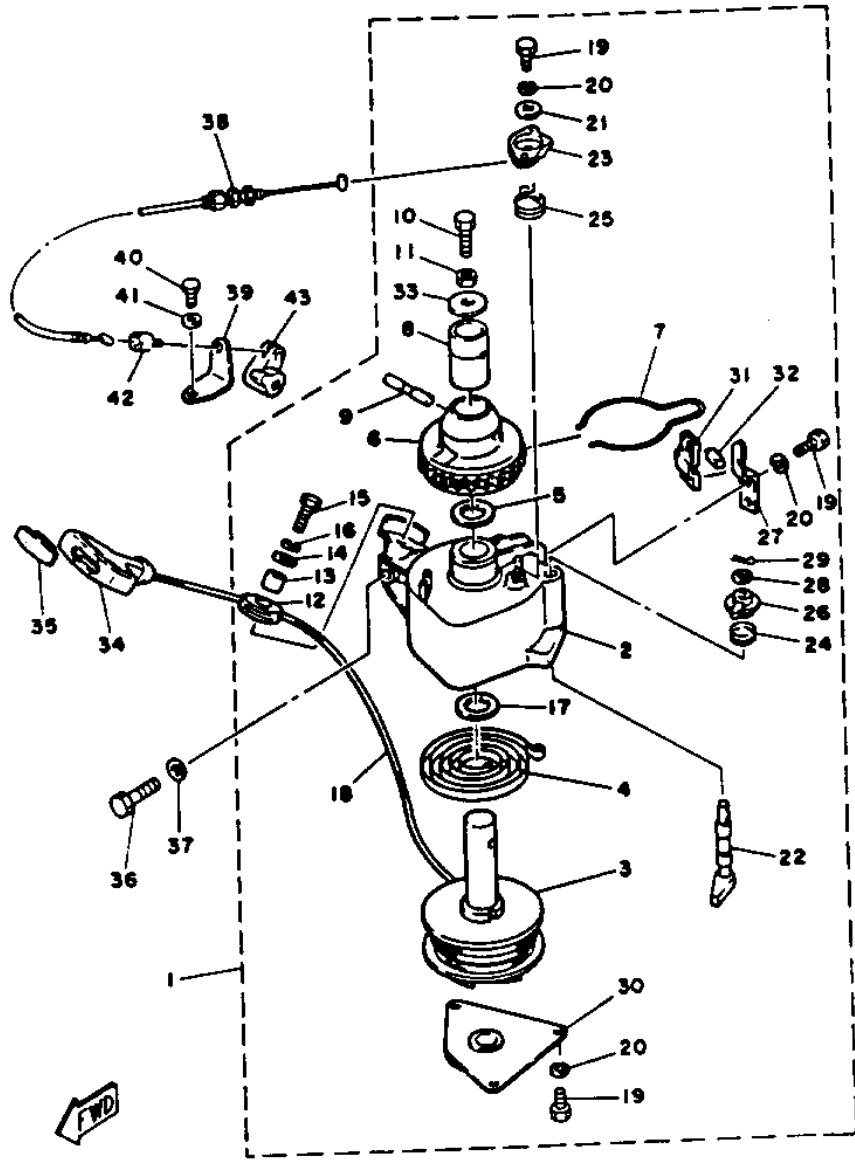
©2014 Yamaha Motor Corporation, U.S.A. All rights reserved.

Part List

T9.9EXHR 1993 / CARBURETOR

REF - NO	PART NUMBER	PART NAME	QUANTITY	REMARKS
1	6G8-14301-03-00	CARBURETOR ASSEMBLY 1	1	UR
1	6G8-14301-04-00	CARBURETOR ASSEMBLY	1	UR
2	6G8-14384-01-00	.GASKET, FLOAT CHAMBER	1	
3	6G8-14381-01-00	.BODY, FLOAT CHAMBER	1	UR
3	6G8-14381-02-00	.BODY, FLOAT CHAMBER	1	UR
4	647-14386-10-00	.PIN, FLOAT	1	
5	6G8-14342-24-00	.JET, PILOT (#48)	1	UR
5	6G8-14342-22-00	.JET, PILOT (# 44)	1	UR
6	654-14198-00-00	.GASKET	1	
7	6G8-14345-00-00	.PLUG, MAIN NOZZLE	1	
8	648-14343-43-00	.JET, MAIN (#86)	1	UR
8	648-14343-42-00	.JET, MAIN (# 84)	1	UR
9	6G8-14341-10-00	.NOZZLE, MAIN	1	UR
9	6G8-14341-20-00	.NOZZLE, MAIN	1	UR
10	6G8-14216-00-00	.SCREW	1	
11	647-14334-00-00	.SPRING	1	
12	6G8-14997-00-00	.SEAL	1	
13	6G8-14323-00-00	.SCREW, AIR ADJUSTING	1	
14	6G8-14392-00-00	.VALVE, NEEDLE	1	
15	6G8-14385-00-00	.FLOAT	1	
16	6G8-14197-01-00	.PIPE	1	
17	98503-06014-00	.SCREW, PAN HEAD	2	
18	92995-06100-00	.WASHER, SPRING	2	
19	1HV-14147-00-00	.O-RING	1	
20	98503-04014-00	.SCREW, PAN HEAD	1	
21	646-14212-00-00	.SPRING, PILOT ADJUSTING	1	
22	98503-04014-00	.SCREW, PAN HEAD	4	
23	92901-04100-00	.WASHER, SPRING	4	
24	6G8-1410A-00-00	.STARTER SET	1	
25	6G8-14827-00-00	.FILTER	1	
26	6A4-14344-25-00	.JET, STARTER (# 50)	1	UR
26	6A4-14344-24-00	.JET, STARTER (#48) (# 48)	1	UR
27	5Y1-14397-00-00	.O-RING	1	
28	6G8-14383-00-00	.SCREW, DRAIN	1	
29	90116-06M26-00	.BOLT, STUD	2	
30	6G8-14368-02-00	.DIAPHRAGM ASSEMBLY	1	UR
31	6G8-14275-01-00	.SPRING	1	UR
31	6G8-14275-00-00	.SPRING	1	UR
32	97890-05006-00	.SCREW, PAN HEAD	1	
33	646-14198-01-00	.GASKET	1	
34	6G8-14349-00-00	.PIPE	1	
35	6G8-14217-01-00	.VALVE, CHOKE	1	UR
35	6G8-14217-00-00	.VALVE, CHOKE	1	UR
36	6G8-14293-02-00	.COVER 1	1	UR
36	6G8-14293-03-00	.COVER 1	1	UR
37	98580-04010-00	.SCREW, PAN HEAD	2	
38	92990-04100-00	.WASHER, SPRING	2	
39	6G8-14379-00-00	.ROD, STARTER	1	
40	98813-03100-00	.NUT	1	
41	6G8-14229-00-00	.SHAFT, CHOKE	1	
42	6G8-14286-01-00	.SPRING	1	
43	6G8-14357-00-00	.WASHER, PLAIN	2	
44	389-14137-00-00	.CLIP	2	

T9.9EXHR 1993 / STARTER



©2014 Yamaha Motor Corporation, U.S.A. All rights reserved.


Part List

T9.9EXHR 1993 / STARTER

REF - NO	PART NUMBER	PART NAME	QUANTITY	REMARKS
1	6G8-15710-10-00	STARTER ASSY	1	
2	6G8-15711-00-00	.CASE, STARTER	1	
3	6G8-15714-00-00	.DRUM, SHEAVE	1	
4	6G8-15713-00-00	.SPRING, STARTER	1	
5	6G8-15719-00-00	.WASHER, THRUST	1	
6	6G8-15723-00-00	.PULLEY, STARTER	1	
7	6G8-15715-00-00	.SPRING, FRICTION	1	
8	6G8-15754-00-00	.BUSH 2	1	
9	6G8-15727-00-00	.PIN	1	
10	6G8-15768-00-00	.BOLT	1	
11	95303-08700-00	.NUT	1	
12	6F5-15752-00-00	.ROLLER, WIRE	1	
13	6F5-15753-00-00	.BUSH	1	
14	6F5-15791-00-00	.WASHER, LOCK	1	
15	97315-06025-00	.BOLT	1	
16	92995-06100-00	.WASHER, SPRING	1	
17	6G8-15739-00-00	.WASHER, THRUST	1	
18	90890-44373-00	.ROPE, STARTER	1	
19	97313-05012-00	.BOLT, HEXAGON	6	
20	92990-05100-00	.WASHER, SPRING	6	
21	6G8-15742-00-00	.WASHER, DRIVE PAWL	1	
22	6G8-15794-00-00	.STOPPER	1	
23	6G8-15746-00-00	.ARM	1	
24	6G8-15767-00-00	.SPRING	1	
25	6G8-15734-00-00	.SPRING, RETURN	1	
26	6G8-15747-00-00	.LINK	1	
27	6G8-15716-00-00	.PLATE, DRIVE	1	
28	92990-06200-00	.WASHER, PLAIN	1	
29	91490-16020-00	.PIN, COTTER	1	
30	6G8-15712-00-00	.COVER, STARTER CASE	1	
31	6G8-15779-00-00	.COVER	1	
32	6G8-15789-00-00	.DAMPER	1	
33	6G8-15742-00-00	.WASHER, DRIVE PAWL	1	
34	6G1-15755-00-00	.HANDLE, STARTER	1	
35	689-15779-01-00	COVER	1	
36	97313-08030-00	BOLT	3	
37	92990-08600-00	.WASHER, PLATE	3	
38	6G8-15770-00-00	CABLE COMP., STARTER STOP	1	
39	6G8-15771-00-00	STAY 1	1	
40	97395-06012-00	BOLT	1	
41	92990-06600-00	WASHER, PLATE	1	
42	6G8-15772-00-00	STAY 2	1	
43	6G8-44125-00-00	LEVER, SHIFT ROD	1	

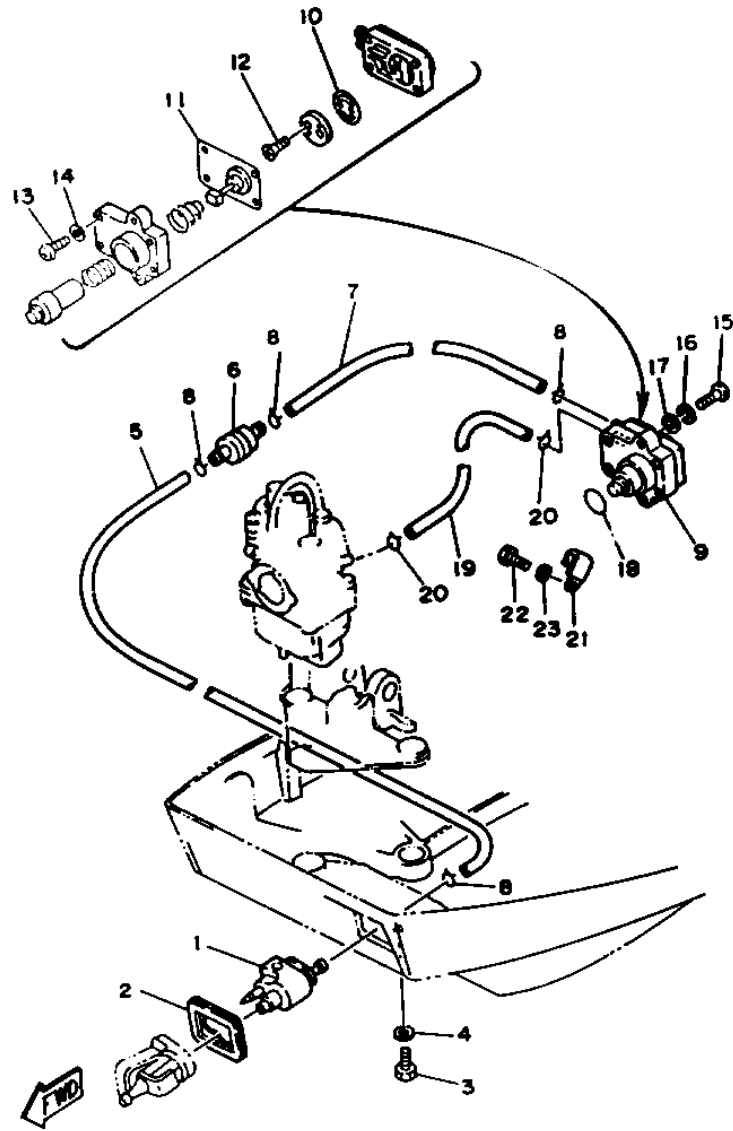
Part Notes

T9.9EXHR 1993 / STARTER

PART NUMBER	NOTE TEXT
92990-06600-00 	OEM: This part number is among the Top 100 Most Popular Marine Maintenance Parts as of March 2014.

©2014 Yamaha Motor Corporation, U.S.A. All rights reserved.

T9.9EXHR 1993 / FUEL SYSTEM



©2014 Yamaha Motor Corporation, U.S.A. All rights reserved.





Part List

T9.9EXHR 1993 / FUEL SYSTEM

REF - NO	PART NUMBER	PART NAME	QUANTITY	REMARKS
1	6G1-24304-02-00	FUEL PIPE JOINT COMP. 1	1	
2	6G8-24329-00-00	SEAL	1	
3	97395-06020-00	BOLT, HEXAGON	1	
4	92990-06600-00	WASHER, PLATE	1	
5	6G8-24311-00-00	PIPE, FUEL 1	1	
6	646-24251-02-00	.STRAINER 1	1	
7	90445-09065-00	HOSE (L90)	1	
8	90467-08004-00	CLIP	4	
9	6G8-24410-02-00	FUEL PUMP ASSEMBLY	1	
10	6G8-24421-00-00	.VALVE, CHECK	1	
11	6G8-24411-02-00	.DIAPHRAGM	1	
12	98780-03008-00	.SCREW, FLAT HEAD	2	
13	98503-04014-00	.SCREW, PAN HEAD	4	
14	92990-04200-00	.WASHER	4	
15	98580-06025-00	SCREW, PAN HEAD	2	
16	92995-06100-00	WASHER, SPRING	2	
17	92990-06600-00	WASHER, PLATE	2	
18	93210-20M65-00	.O-RING	1	
19	90445-09225-00	HOSE	1	
20	90467-08004-00	CLIP	2	
21	90465-08028-00	CLAMP	1	
22	97013-06012-00	BOLT	1	
23	92990-06600-00	WASHER, PLATE	1	

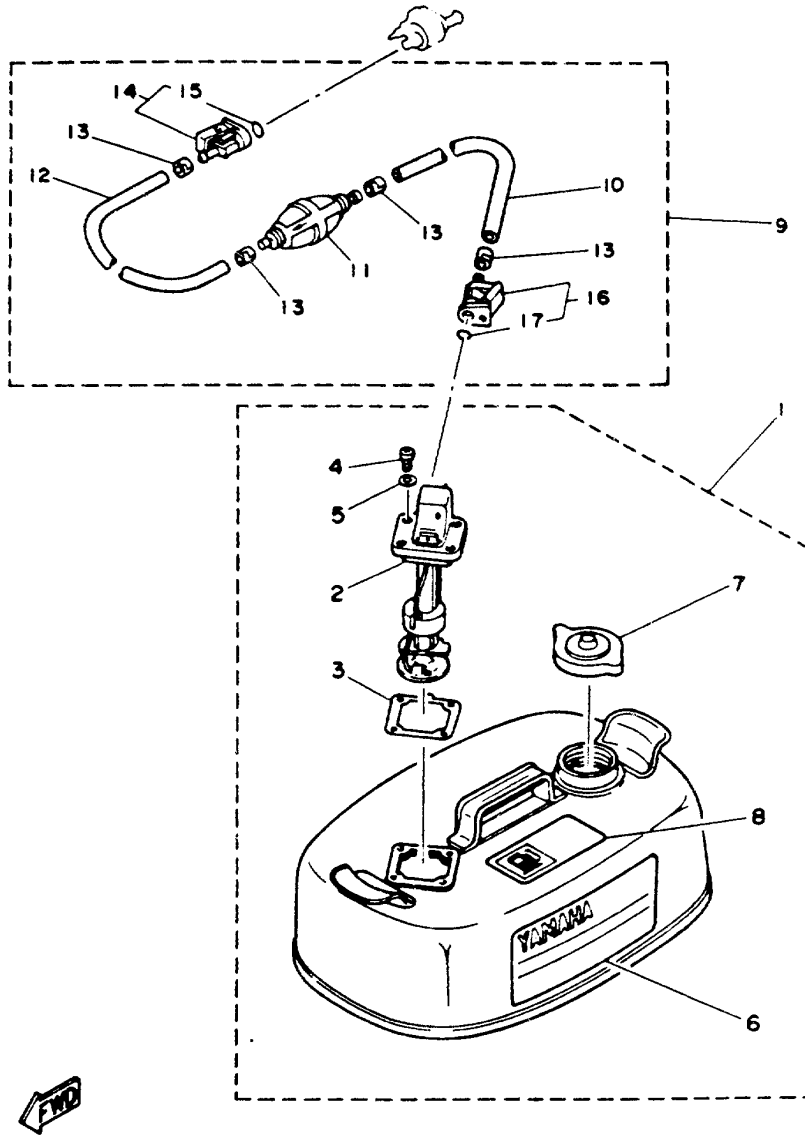
Part Notes

T9.9EXHR 1993 / FUEL SYSTEM

PART NUMBER		NOTE TEXT
92990-06600-00		OEM: This part number is among the Top 100 Most Popular Marine Maintenance Parts as of March 2014.
646-24251-02-00		OEM: This part number is among the Top 100 Most Popular Marine Maintenance Parts as of March 2014.
92990-06600-00		OEM: This part number is among the Top 100 Most Popular Marine Maintenance Parts as of March 2014.
92990-06600-00		OEM: This part number is among the Top 100 Most Popular Marine Maintenance Parts as of March 2014.

©2014 Yamaha Motor Corporation, U.S.A. All rights reserved.

T9.9EXHR 1993 / FUEL TANK



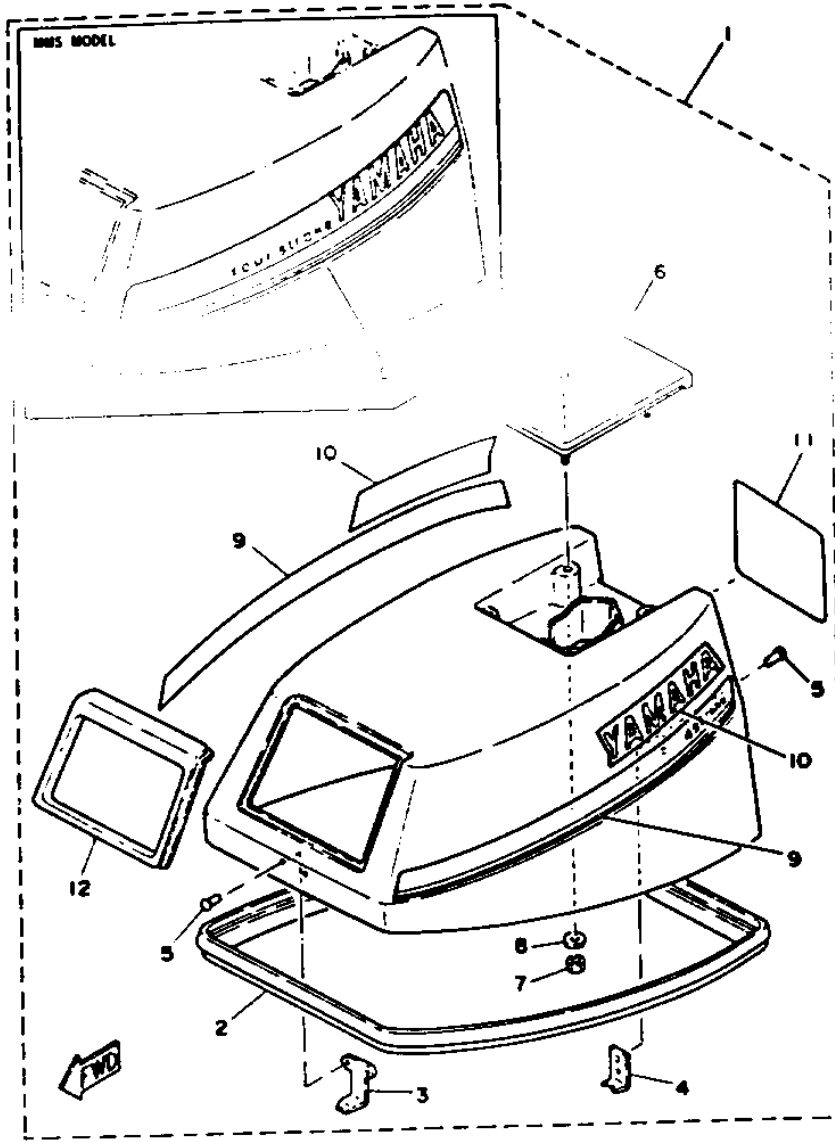
©2014 Yamaha Motor Corporation, U.S.A. All rights reserved.

Part List

T9.9EXHR 1993 / FUEL TANK

REF - NO	PART NUMBER	PART NAME	QUANTITY	REMARKS
1	6Y4-W2420-42-24	FUEL TANK ASSEMBLY	1	
2	6Y4-24260-01-00	.FUEL METER ASSEMBLY	1	
3	6Y1-24268-00-00	.GASKET, FUEL METER	1	
4	98586-05016-00	.SCREW, PAN HEAD	4	
5	6Y1-24329-00-00	.SEAL	4	
6	6Y4-24244-50-00	.GRAPHIC, FUEL TNK 1	1	
7	6Y1-24610-00-00	.CAP ASSEMBLY	1	
8	6Y1-24256-50-00	.GRAPHIC, FUEL TANK	1	
9	6Y1-24306-51-00	FUEL PIPE COMP. 1	1	
10	90445-11M06-00	.HOSE (L2050)	1	
11	6Y1-24360-51-00	.PRIMER PUMP ASSY	1	
12	90445-11M05-00	.HOSE (L850)	1	
13	650-24351-51-00	.BAND 1	4	
14	6G1-24305-01-00	.FUEL PIPE JOINT COMP 2	1	
15	93210-08287-00	..O-RING	1	
16	6Y1-24305-02-00	.FUEL PIPE JOINT COMP 2	1	
17	93210-08287-00	..O-RING	1	

T9.9EXHR 1993 / TOP COWLING



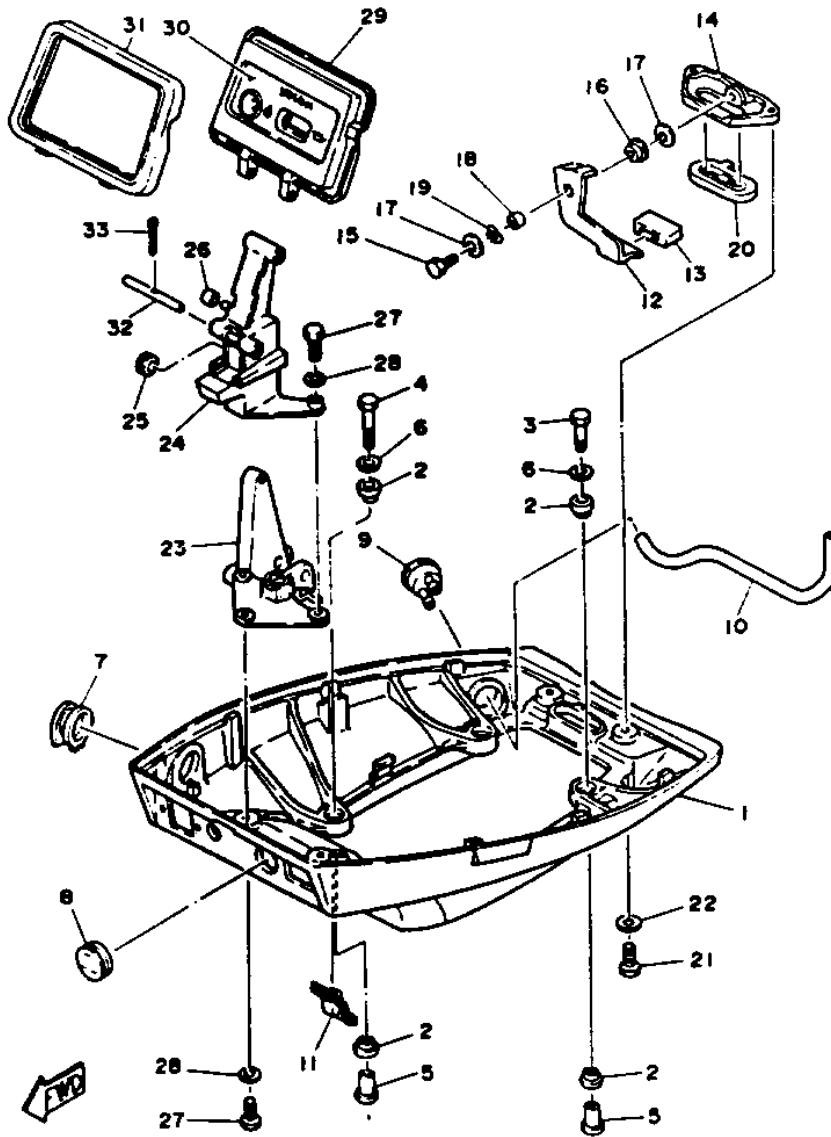
©2014 Yamaha Motor Corporation, U.S.A. All rights reserved.

Part List

T9.9EXHR 1993 / TOP COWLING

REF - NO	PART NUMBER	PART NAME	QUANTITY	REMARKS
1	6G8-42610-12-EK	TOP COWLING ASSEMBLY	1	UR METALLIC MARINE SILVER
1	6G8-42610-01-EL	TOP COWLING ASSEMBLY	1	UR HARBOR WHITE
2	6G8-42615-00-00	.SEAL	1	
3	6G8-42651-00-00	.HOOK	1	
4	6G8-42652-00-00	.HOOK	1	
5	90266-04M04-00	.RIVET	4	
6	6G8-42613-00-EK	.MOLDING, AIR DUCT	1	UR METALLIC MARINE SILVER
6	6G8-42613-00-EL	.MOULDING, AIR DUCT	1	UR HARBOR WHITE
7	95380-06700-00	.NUT	4	
8	92990-06200-00	.WASHER, PLAIN	4	
9	6G8-W0070-00-00	.GRAPHIC SIDE SET	1	UR FOR HW
9	6G9-W0070-11-00	.GRAPHIC SET	1	UR FOR MMS
10	6G8-42681-00-00	.MARK, COWLING 1	2	UR FOR HW
11	6G9-42678-11-00	.GRAPHIC, REAR	1	UR FOR MMS
11	6G8-42678-00-00	.GRAPHIC, REAR	1	UR FOR HW
12	6G8-42628-01-00	.SEAL	1	

T9.9EXHR 1993 / BOTTOM COWLING



©2014 Yamaha Motor Corporation, U.S.A. All rights reserved.



Part List

T9.9EXHR 1993 / BOTTOM COWLING

REF - NO	PART NUMBER	PART NAME	QUANTITY	REMARKS
1	6G8-42711-01-EK	BOTTOM COWLING	1	UR METALLIC MARINE SILVER
1	6G8-42711-01-EL	BOTTOM COWLING	1	UR HARBOR WHITE
2	90480-09M35-00	GROMMET	8	
3	97313-06030-00	BOLT	2	
4	97313-06040-00	BOLT, HEXAGON	2	
5	90387-06M15-00	COLLAR	4	
6	90201-06M31-00	.WASHER, PLATE	4	
7	6G8-42724-00-00	GROMMET	1	
8	6G8-42725-10-00	GROMMET	1	
9	6G8-44391-00-00	NIPPLE, HOSE	1	
10	6G8-12482-00-00	PIPE 2	1	
11	6G8-42727-00-00	GROMMET	1	
12	6G8-42815-00-00	LEVER, CLAMP	1	
13	6G8-42831-00-00	BUSHING	1	
14	6G8-42811-00-94	STAY	1	
15	97313-06016-00	BOLT, HEXAGON	1	
16	90386-08M49-00	BUSH	1	
17	90201-06M31-00	.WASHER, PLATE	2	
18	90387-06M72-00	COLLAR	1	
19	90206-08M13-00	WASHER, WAVE	1	
20	6G8-42748-00-00	GROMMET	1	
21	97395-06016-00	BOLT, HEX	2	
22	92990-06600-00	WASHER, PLATE	2	
23	6G8-42738-00-94	PLATE, FITTING	1	
24	6G8-42719-00-94	PANEL, FRONT LOWER	1	
25	90480-19031-00	GROMMET	1	
26	90445-05ME6-00	HOSE (L8)	1	
27	97395-06016-00	BOLT, HEX	4	
28	92990-06600-00	WASHER, PLATE	4	
29	6G8-W4261-00-00	PANEL, FRONT UPPER	1	
30	6G8-42677-00-00	GRAPHIC, FRONT	1	
31	6G8-42629-01-00	SEAL	1	
32	6G8-42755-00-00	HINGE, COWLING	1	
33	91490-16010-00	PIN. COTTER	1	

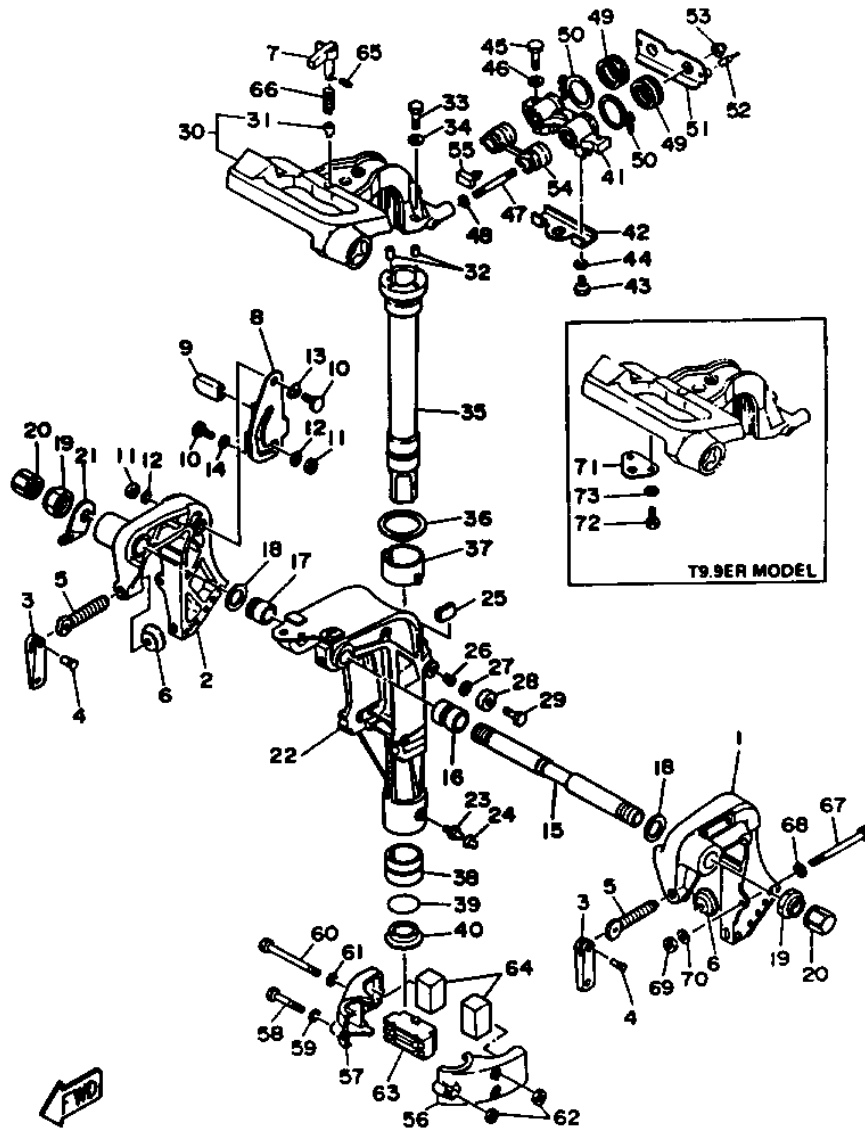
Part Notes

T9.9EXHR 1993 / BOTTOM COWLING

PART NUMBER	NOTE TEXT
92990-06600-00 	OEM: This part number is among the Top 100 Most Popular Marine Maintenance Parts as of March 2014.
92990-06600-00 	OEM: This part number is among the Top 100 Most Popular Marine Maintenance Parts as of March 2014.

©2014 Yamaha Motor Corporation, U.S.A. All rights reserved.

T9.9EXHR 1993 / BRACKET 1



©2014 Yamaha Motor Corporation, U.S.A. All rights reserved.

Part List







T9.9EXHR 1993 / BRACKET 1

REF - NO	PART NUMBER	PART NAME	QUANTITY	REMARKS
1	6G8-43111-03-EK	BRACKET, CLAMP	1	UR METALLIC MARINE SILVER
1	6G8-43111-03-EL	BRACKET, CLAMP	1	UR HARBOR WHITE
2	6G8-43112-04-EK	BRACKET, CLAMP	1	UR METALLIC MARINE SILVER
2	6G8-43112-04-EL	BRACKET, CLAMP	1	UR HARBOR WHITE
3	616-43118-00-EK	HANDLE, TRANSOM CLIP	2	UR METALLIC MARINE SILVER
3	616-43118-00-EL	HANDLE, TRANSOM CLIP	2	UR HARBOR WHITE
4	90243-04M00-00	PIN	2	
5	6E7-43116-00-00	SCREW, TRANSOM CLAMP	2	
6	648-43114-01-00	PAD, TRANSOM CLAMP	2	
7	6G8-42561-00-00	KNOB, STEERING LOCK	1	
8	6G8-43181-00-00	LEVER, TILT STOP	1	
9	682-43318-01-00	COVER	1	
10	90109-06M25-00	BOLT	2	
11	95680-06100-00	NUT, U	2	
12	92990-06600-00	WASHER, PLATE	2	
13	90206-10M15-00	WASHER, WAVE	1	
14	682-43339-01-00	WASHER	1	
15	6G8-43131-00-00	BOLT, CLAMP BRACKET	1	
16	90386-22M92-00	BUSH	1	
17	90386-22M93-00	BUSH	1	
18	90201-22428-00	WASHER, PLATE	2	
19	90185-22043-00	NUT, SELF-LOCKING	2	
20	6G5-43145-00-00	CAP, CLAMP BRACKET	1	
21	6J8-43113-01-00	PLATE, CLAMP BRACKET	1	
22	6G8-43311-14-EK	BRACKET, SWIVEL 1	1	UR METALLIC MARINE SILVER
22	6G8-43311-14-EL	BRACKET, SWIVEL 1	1	UR HARBOR WHITE
23	93700-06M03-00	NIPPLE, GREASE	1	
24	663-45119-00-00	CAP, GREASE NIPPLE	1	
25	6G8-42528-00-00	PLATE, FRICTION	1	
26	90501-18M00-00	SPRING, COMPRESSION	1	
27	90201-06M31-00	.WASHER, PLATE	1	
28	6G8-43373-00-00	SEAL, DAMPER	1	
29	97395-06025-00	BOLT	1	
30	6G8-42511-02-EK	BRACKET, STEERING	1	UR METALLIC MARINE SILVER
30	6G8-42511-02-EL	BRACKET, STEERING	1	UR HARBOR WHITE
31	6G8-42534-00-00	.PIN, DOWEL	1	
32	93605-15065-00	PIN, DOWEL	2	
33	97315-06030-00	BOLT	2	
34	92990-06600-00	WASHER, PLATE	2	
35	6G8-42521-10-94	SHAFT, STEERING PIVOT	1	
36	90209-45M09-00	WASHER	1	
37	6G8-42537-00-00	BUSHING, PIVOT SHAFT	1	
38	90386-37M47-00	BUSH	1	
39	93210-37M67-00	O-RING	1	
40	90386-37M48-00	BUSH	1	
41	6G8-44517-00-94	MOUNT RUBBER	1	
42	6G8-44526-00-00	PLATE	1	
43	97395-06012-00	BOLT	2	
44	92990-06600-00	WASHER, PLATE	2	
45	97395-08030-00	BOLT	2	
46	92990-08600-00	..WASHER, PLATE	2	
47	90116-08M28-00	BOLT, STUD	2	
48	90201-08M12-00	.WASHER, PLATE	2	
49	6G8-44522-00-00	SEAL	2	
50	90460-38M06-00	CLAMP, HOSE	2	
51	6G8-44518-00-00	BRACKET COMP.	1	
52	6G8-44533-00-00	DAMPER, UPPER MOUNT RUBBER	2	
53	95780-08300-00	..NUT, FLANGE	2	
54	6G8-44521-00-00	SEAL	1	

55	6G8-44532-00-00	STOPPER, UPPER MOUNT	1	
56	6G8-44551-01-EK	HOUSING, LOWER MOUNT RUBBER	1	UR METALLIC MARINE SILVER
56	6G8-44551-01-EL	HOUSING, LOWER, MOUNT RUBBER	1	UR HARBOR WHITE
57	6G8-44552-02-EL	HOUSING, LOWER MOUNT RUBBER	1	UR HARBOR WHITE
57	6G8-44552-02-EK	HOUSING, LWR.MNT.MOUNT RUBBER	1	UR METALLIC MARINE SILVER
58	97395-06045-00	BOLT, HEXAGON	1	
59	92990-06600-00	WASHER, PLATE	1	
60	97395-06095-00	BOLT	2	
61	92990-06600-00	WASHER, PLATE	2	
62	95380-06700-00	NUT	3	
63	6G8-44557-00-00	MOUNT DAMPER, LOWER FRONT	1	
64	682-44555-00-00	MOUNT DAMPER, LOWER SIDE	2	
65	91690-30012-00	.PIN, SPRING	1	
66	90501-10071-00	..SPRING, COMPRESSION	1	
67	90101-08M88-00	BOLT	2	
68	92990-08600-00	..WASHER, PLATE	2	
69	95780-08300-00	..NUT, FLANGE	2	
70	90201-08MA4-00	WASHER, PLATE	2	
71	6G8-48511-20-00	HOOK, STEERING	1	T9.9ER
72	97395-06016-00	BOLT, HEX	2	T9.9ER
73	92990-06600-00	WASHER, PLATE	2	T9.9ER

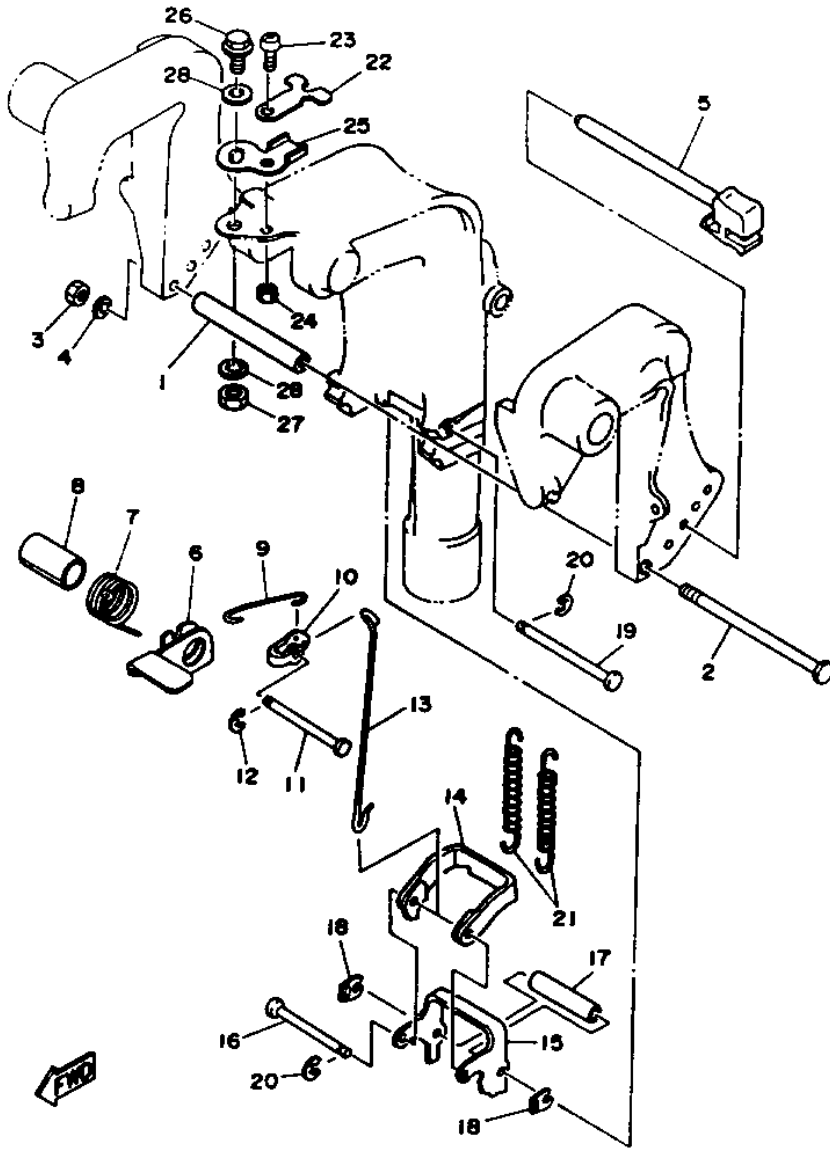
Part Notes

T9.9EXHR 1993 / BRACKET 1

PART NUMBER		NOTE TEXT
92990-06600-00		OEM: This part number is among the Top 100 Most Popular Marine Maintenance Parts as of March 2014.
92990-06600-00		OEM: This part number is among the Top 100 Most Popular Marine Maintenance Parts as of March 2014.
92990-06600-00		OEM: This part number is among the Top 100 Most Popular Marine Maintenance Parts as of March 2014.
92990-06600-00		OEM: This part number is among the Top 100 Most Popular Marine Maintenance Parts as of March 2014.
92990-06600-00		OEM: This part number is among the Top 100 Most Popular Marine Maintenance Parts as of March 2014.
92990-06600-00		OEM: This part number is among the Top 100 Most Popular Marine Maintenance Parts as of March 2014.

©2014 Yamaha Motor Corporation, U.S.A. All rights reserved.

T9.9EXHR 1993 / BRACKET 2



©2014 Yamaha Motor Corporation, U.S.A. All rights reserved.


Part List

T9.9EXHR 1993 / BRACKET 2

REF - NO	PART NUMBER	PART NAME	QUANTITY	REMARKS
1	90387-06M09-00	COLLAR	1	
2	97395-06135-00	BOLT, HEXAGON	1	
3	95380-06700-00	NUT	1	
4	92990-06600-00	WASHER, PLATE	1	
5	6G8-43160-01-00	TILT ROD ASSY	1	
6	6G8-43631-02-00	LEVER, TILT	1	
7	90508-18M33-00	SPRING, TORSION	1	
8	90386-20M94-00	BUSH	1	
9	6G8-43616-00-00	ROD, TILT LOCK	1	
10	682-43641-00-00	LEVER, TILT	1	
11	90249-06M20-00	PIN	1	
12	99080-05600-00	CIRCLIP	1	
13	6G8-43617-00-00	ROD, TILT LOCK	1	
14	682-43614-00-00	PLATE, TILT LOCK	1	
15	682-43615-01-00	PLATE, TILT LOCK	1	
16	682-43611-01-00	SHAFT, TILT LOCK	1	
17	90387-06M20-00	COLLAR	1	
18	682-43673-00-00	WASHER 1	2	
19	682-43659-00-00	SHAFT, REVERSE LOCK	1	
20	99080-05600-00	CIRCLIP	2	
21	90506-29M16-00	SPRING, TENSION	2	
22	6G8-43319-02-94	PLATE	1	
23	98580-06016-00	SCREW, PAN HEAD	1	
24	95380-06600-00	NUT, HEXAGON	1	
25	6G8-42512-01-94	PLATE, CONTROL	1	
26	90105-10M30-00	BOLT, WASHER BASED	1	
27	95380-10700-00	NUT	1	
28	90201-10M76-00	.WASHER, PLATE	2	

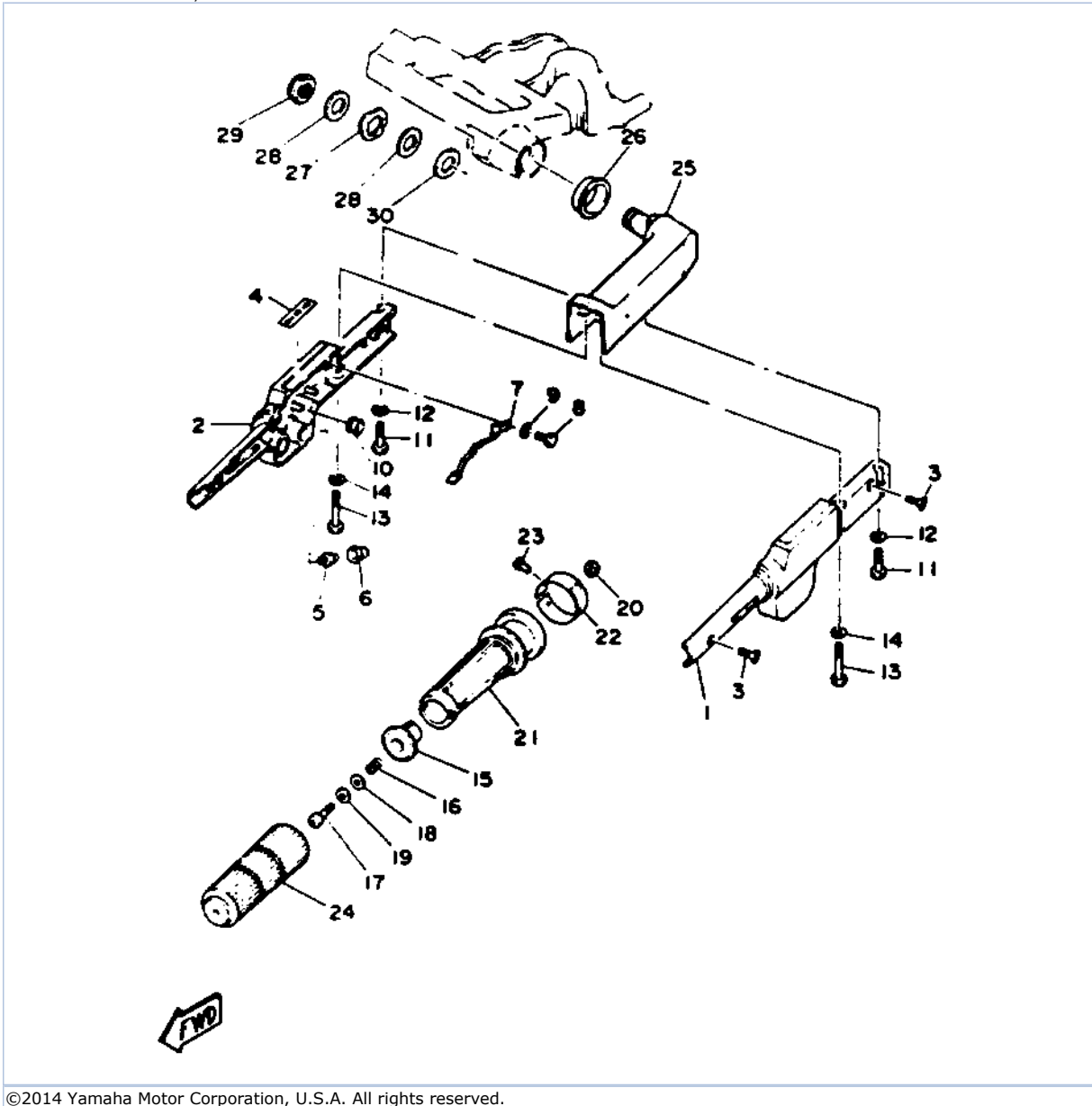
Part Notes

T9.9EXHR 1993 / BRACKET 2

PART NUMBER	NOTE TEXT
92990-06600-00 	OEM: This part number is among the Top 100 Most Popular Marine Maintenance Parts as of March 2014.

©2014 Yamaha Motor Corporation, U.S.A. All rights reserved.

T9.9EXHR 1993 / STEERING



©2014 Yamaha Motor Corporation, U.S.A. All rights reserved.



Part List

T9.9EXHR 1993 / STEERING

REF - NO	PART NUMBER	PART NAME	QUANTITY	REMARKS
1	6G8-42111-01-EK	HANDLE, STEERING	1	UR METALLIC MARINE SILVER
1	6G8-42111-01-EL	HANDLE, STEERING	1	UR HARBOR WHITE
2	6G8-42112-02-EL	STEERING HANDLE 2	1	UR HARBOR WHITE
2	6G8-42112-02-EK	STEERING HANDLE 2	1	UR METALLIC MARINE SILVER
3	98780-05016-00	.SCREW, FLAT HEAD	2	
4	6G8-44191-00-00	INDICATOR, SHIFT	1	
5	93700-06M03-00	NIPPLE, GREASE	1	
6	663-45119-00-00	CAP, GREASE NIPPLE	1	
7	6G8-42147-01-00	SPRING	1	
8	97395-05012-00	.BOLT	1	
9	92990-05600-00	WASHER, PLATE	1	
10	6H4-42725-00-00	GROMMET	1	
11	97395-06025-00	BOLT	2	
12	92990-06600-00	WASHER, PLATE	2	
13	97395-06040-00	BOLT	2	
14	92990-06600-00	WASHER, PLATE	2	
15	6G8-42126-01-94	FRICTION, STEERING HANDLE GRIP	1	
16	90501-23M42-00	SPRING, COMPRESSION	1	
17	98580-06030-00	.SCREW, PAN HEAD	1	
18	90201-06049-00	WASHER, PLATE	1	
19	90202-06007-00	WASHER, PLATE	1	
20	95380-06700-00	NUT	1	
21	6G8-42119-00-00	GRIP, STEERING HANDLE	1	
22	6G8-42137-01-00	INDICATOR, THROTTLE	1	
23	90269-02M09-00	RIVET	1	
24	6G8-42177-00-00	RUBBER, HANDLE	1	
25	6G8-42113-01-EK	HANDLE, STEERING 3	1	UR METALLIC MARINE SILVER
25	6G8-42113-01-EL	HANDLE, STEERING 3	1	UR HARBOR WHITE
26	90386-33M56-00	BUSH	1	
27	90206-20M14-00	WASHER, WAVE	1	
28	90201-20M00-00	WASHER, PLATE	2	
29	90185-20M03-00	NUT, SELF-LOCKING	1	
30	90202-20M33-00	WASHER, PLATE	1	

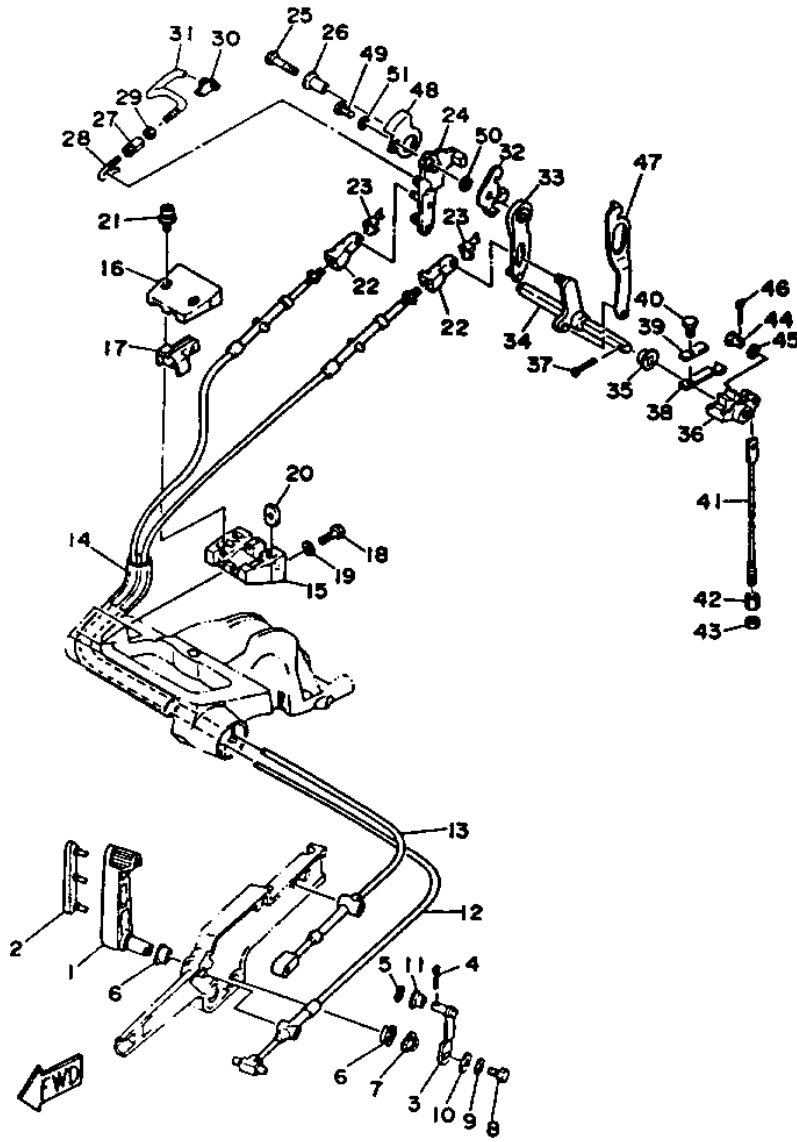
Part Notes

T9.9EXHR 1993 / STEERING

PART NUMBER	NOTE TEXT
92990-06600-00 	OEM: This part number is among the Top 100 Most Popular Marine Maintenance Parts as of March 2014.
92990-06600-00 	OEM: This part number is among the Top 100 Most Popular Marine Maintenance Parts as of March 2014.

©2014 Yamaha Motor Corporation, U.S.A. All rights reserved.

T9.9EXHR 1993 / CONTROL ENGINE



©2014 Yamaha Motor Corporation, U.S.A. All rights reserved.


Part List



T9.9EXHR 1993 / CONTROL ENGINE

REF - NO	PART NUMBER	PART NAME	QUANTITY	REMARKS
1	6G8-44121-00-98	LEVER, SHIFT ROD	1	
2	6G8-42129-00-00	BUSHING, RUBBER	1	
3	6G8-44123-00-00	ARM, SHIFT ROD	1	
4	91490-16010-00	PIN. COTTER	1	
5	92990-05200-00	.WASHER, PLAIN	1	
6	90386-12069-00	BUSH	2	
7	90206-12052-00	WASHER, WAVE	1	
8	97313-06016-00	BOLT, HEXAGON	1	
9	92990-06600-00	WASHER, PLATE	1	
10	90201-06M94-00	WASHER, PLATE	1	
11	90386-05M54-00	BUSH	1	
12	6G8-48311-11-00	CABLE	1	AP FOR HANDY REMOTE CONTROL
12	6G8-48311-02-00	CABLE	1	
13	6G8-48321-01-00	CABLE	1	
13	6G8-48321-10-00	CABLE	1	AP FOR HANDY REMOTE CONTROL
14	90445-24M00-00	HOSE (L165)	1	
14	90445-20ME5-00	HOSE	1	AP FOR HANDY REMOTE CONTROL
15	6G8-41661-00-98	BRACKET	1	
16	6G8-41662-00-98	BRACKET	1	
17	6G8-41663-00-00	BRACKET 3	1	
18	97395-06016-00	BOLT, HEX	2	
19	92990-06600-00	WASHER, PLATE	2	
20	6G8-41654-00-00	NUT	2	
21	90159-05M06-00	SCREW, WITH WASHER	2	
22	6G8-26363-00-00	.END, WIRE 1	2	
23	6G8-26364-00-00	.END, CABLE	2	
24	6G8-41212-00-00	ARM, ACCEL.	1	
25	97313-06030-00	BOLT	1	
26	90387-06M58-00	COLLAR	1	
27	6G8-41238-01-00	JOINT, LINK	1	
28	6G8-41241-01-00	ROD, LINK	1	
29	95303-04600-00	.NUT	1	
30	6G8-41237-01-00	JOINT, LINK	1	
31	6G8-41242-01-00	ROD 2	1	
32	6G8-14493-00-00	STAY 1	1	
33	6G8-44111-00-00	HANDLE, GEAR SHIFT	1	
34	6G8-44159-00-00	HANDLE, GEAR SHIFT	1	
35	682-44132-00-00	BUSHING	1	
36	6G8-44141-00-00	LINK, SHIFT ROD	1	
37	91490-25020-00	PIN. COTTER	1	
38	682-44116-00-00	SPRING	1	
39	682-44117-00-00	BRACKET	1	
40	97013-06012-00	BOLT	1	
41	6G8-44143-10-00	ROD, SHIFT	1	
42	90170-06015-00	NUT	1	
43	95380-06700-00	NUT	1	
44	91790-05020-00	PIN, CLEVIS	1	
45	92990-05600-00	WASHER, PLATE	1	
46	91490-16010-00	PIN. COTTER	1	
47	6G8-44124-11-00	LINK, SHIFT ROD	1	
48	6G8-41212-11-00	ARM, ACCEL.	1	
49	97313-06014-00	BOLT, HEXAGON	1	
50	95380-06600-00	NUT, HEXAGON	1	
51	92990-06600-00	WASHER, PLATE	1	

Part Notes

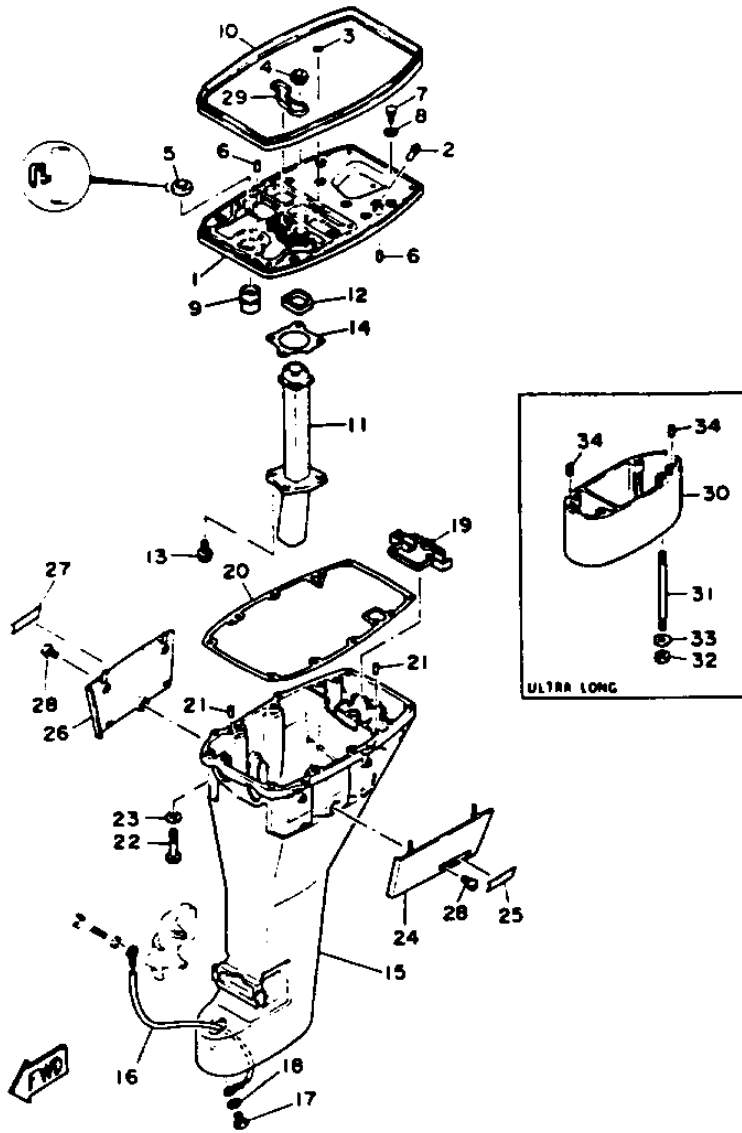
T9.9EXHR 1993 / CONTROL ENGINE

PART NUMBER	NOTE TEXT
92990-06600-00 	OEM: This part number is among the Top 100 Most Popular Marine Maintenance Parts as of March 2014.

92990-06600-00		OEM: This part number is among the Top 100 Most Popular Marine Maintenance Parts as of March 2014.
92990-06600-00		OEM: This part number is among the Top 100 Most Popular Marine Maintenance Parts as of March 2014.

©2014 Yamaha Motor Corporation, U.S.A. All rights reserved.

T9.9EXHR 1993 / UPPER CASING



©2014 Yamaha Motor Corporation, U.S.A. All rights reserved.



Part List

T9.9EXHR 1993 / UPPER CASING

REF - NO	PART NUMBER	PART NAME	QUANTITY	REMARKS
1	6G8-41137-03-94	GUIDE, EXHAUST	1	
2	6E5-24377-00-00	PIPE, JOINT 2	1	
3	93210-08M60-00	O-RING	1	
4	6G8-44367-00-00	DAMPER, WATER SEAL	1	
5	93101-13M27-00	O-RING	1	
6	93606-12019-00	.PIN, DOWEL	2	
7	97313-06020-00	BOLT, HEXAGON	2	
8	92990-06600-00	WASHER, PLATE	2	
9	6G8-45135-00-00	PIPE	1	
10	6G8-42716-00-00	RUBBER, SEAL 1	1	
11	6G8-41131-01-00	MANIFOLD, EXT. 1	1	
12	6G8-41138-00-00	SEAL, EXT. 1	1	
13	90105-06M33-00	BOLT, FLANGE	4	
14	6G8-41133-A0-00	GASKET, EXHAUST MANIFOLD 1	1	
15	6G8-45111-12-EL	CASING, UPPER (WH)	1	UR HARBOR WHITE
15	6G8-45111-12-EK	CASING, UPPER	1	UR METALLIC MARINE SILVER
16	6G8-82149-00-00	WIRE, LEAD 3	1	
17	97395-06012-00	BOLT	1	
18	92990-06600-00	WASHER, PLATE	1	
19	6G8-45151-00-00	COVER, UPPER CASING	1	
20	6G8-45113-A0-00	GASKET, UPPER CASING	1	
21	93606-12019-00	.PIN, DOWEL	2	
22	97395-08040-00	BOLT	6	
23	92990-08600-00	..WASHER, PLATE	6	
24	6G8-42741-00-EK	APRON 1	1	UR METALLIC MARINE SILVER
24	6G8-42741-00-EL	APRON 1	1	UR HARBOR WHITE
25	6G8-42791-00-00	MARK 1	1	
26	6G8-42771-00-EK	APRON 2	1	UR METALLIC MARINE SILVER
26	6G8-42771-00-EL	APRON 2	1	UR HARBOR WHITE
27	6G8-42792-00-00	MARK	1	
28	90157-06M04-00	SCREW, PAN HEAD	2	
29	6G8-11355-00-00	SEAL, CYLINDER 1	1	
30	6G8-45211-20-EL	EXTENSION	1	ULTRA LONG
31	90116-08M19-00	BOLT, STUD	4	ULTRA LONG
32	95380-08600-00	NUT	4	ULTRA LONG
33	92990-08600-00	..WASHER, PLATE	4	ULTRA LONG
34	93606-12019-00	.PIN, DOWEL	2	ULTRA LONG

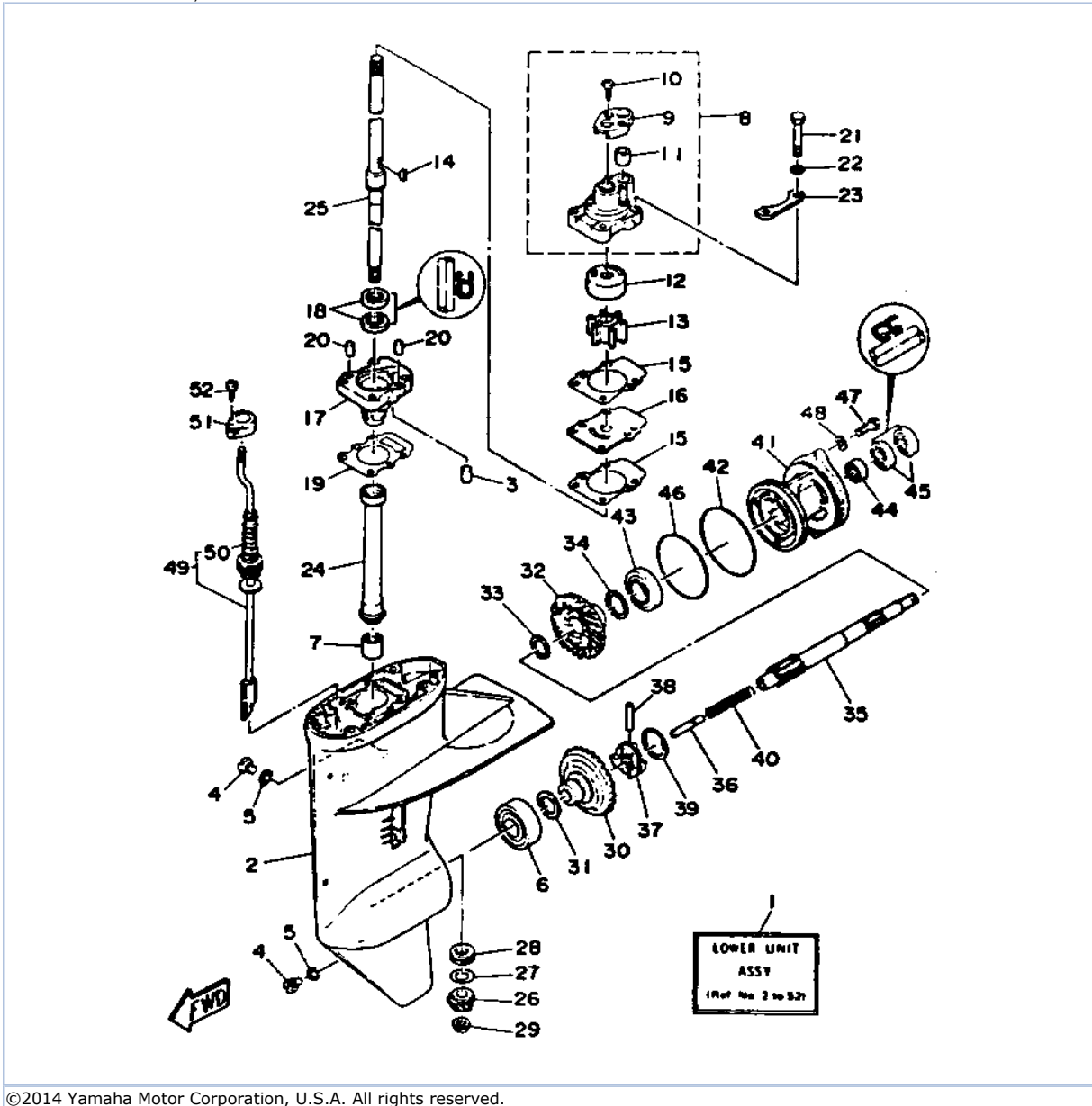
Part Notes

T9.9EXHR 1993 / UPPER CASING

PART NUMBER		NOTE TEXT
92990-06600-00		OEM: This part number is among the Top 100 Most Popular Marine Maintenance Parts as of March 2014.
92990-06600-00		OEM: This part number is among the Top 100 Most Popular Marine Maintenance Parts as of March 2014.

©2014 Yamaha Motor Corporation, U.S.A. All rights reserved.

T9.9EXHR 1993 / LOWER DRIVE 1



©2014 Yamaha Motor Corporation, U.S.A. All rights reserved.

Part List




T9.9EXHR 1993 / LOWER DRIVE 1

REF - NO	PART NUMBER	PART NAME	QUANTITY	REMARKS
1	6G8-45300-16-EK	LOWER UNIT ASSEMBLY	1	UR METALLIC MARINE SILVER
1	6G8-45300-26-EL	LOWER UNIT ASSEMBLY	1	UR HARBOR WHITE
2	6G8-45311-04-EK	CASING, LOWER	1	UR METALLIC MARINE SILVER
2	6G8-45311-04-EL	CASING, LOWER	1	UR HARBOR WHITE
3	93604-08062-00	PIN, DOWEL	1	
4	90340-08M04-00	PLUG, STRAIGHT SCREW	3	
5	90430-08020-00	.GASKET	3	
6	93332-00005-00	BEARING	1	
7	93315-213V4-00	BEARING	1	
8	682-44300-01-00	HOUSING, WATER PUMP	1	
9	682-44312-00-00	.COVER, WATER PUMP HOUSING	1	
10	97780-40112-00	.SCREW, TAPPING	2	
11	682-44365-00-00	.DAMPER, WATER SEAL	1	
12	682-44322-00-00	INSERT, CARTRIDGE	1	
13	682-44352-01-00	IMPELLER	1	
14	90280-03024-00	.KEY, WOODRUFF	1	
15	682-44315-A0-00	GASKET, WATER PUMP	2	
16	682-44323-00-00	OUTER PLATE, CARTRIDGE	1	
17	6G8-45331-00-5B	HOUSING, BEARING	1	
18	93101-20048-00	.OIL SEAL	2	
19	6G8-45315-A0-00	PACKING, LOWER CASING	1	
20	93606-12019-00	.PIN, DOWEL	2	
21	97395-06045-00	BOLT, HEXAGON	4	
22	92990-06600-00	WASHER, PLATE	4	
23	682-44328-00-00	PLATE	2	
24	6G8-45536-00-00	SLEEVE, DRIVE SHAFT	1	
25	6G8-45501-10-00	DRIVE SHAFT COMP.	1	UR LONG
25	6G8-45501-20-00	DRIVE SHAFT COMP.	1	UR ULTRA LONG
26	6G8-45551-00-00	PINION (13T)	1	
27	6G8-45587-00-10	SHIM (T:0.10MM)	1	UR
27	6G8-45587-00-14	SHIM (T:0.14MM)	1	UR
27	6G8-45587-00-50	SHIM (T:0.50MM)	1	UR
27	6G8-45587-00-35	SHIM (T:0.35MM)	1	UR
27	6G8-45587-00-18	SHIM (T:0.18MM)	1	UR
28	93341-313U3-00	BEARING	1	
29	90179-08M06-00	NUT	1	
30	6G8-45560-00-00	GEAR	1	
31	626-45577-00-01	SHIM (T:0.10MM)	1	UR
31	626-45577-00-05	SHIM (T:0.50MM)	1	UR
31	626-45577-00-03	SHIM (T:0.30MM)	1	UR
32	6G8-45571-00-00	GEAR 2 (38T)	1	
33	90201-17682-00	WASHER, PLATE	1	
34	626-45577-00-01	SHIM (T:0.10MM)	1	UR
34	626-45577-00-03	SHIM (T:0.30MM)	1	UR
34	626-45577-00-05	SHIM (T:0.50MM)	1	UR
35	6G8-45611-00-00	SHAFT, PROPELLER	1	
36	650-45635-00-00	PLUNGER, SHIFT	1	
37	682-45631-00-00	CLUTCH, DOG	1	
38	90250-05010-00	PIN, STRAIGHT	1	
39	648-45633-00-00	RING, CROSS PIN	1	
40	90501-14M06-00	SPRING, COMPRESSION	1	
41	6G8-45361-01-EK	CAP, LOWER CASING	1	UR METALLIC MARINE SILVER
41	6G8-45361-01-EL	CAP, LOWER CASING	1	UR HARBOR WHITE
42	93210-74316-00	.O-RING	1	
43	93306-00501-00	BEARING	1	
44	93315-317U2-00	BEARING	1	
45	93101-17054-00	.OIL SEAL	2	
46	93210-74M68-00	.O-RING	1	
47	97395-06020-00	BOLT, HEXAGON	2	

48	92990-06600-00	WASHER, PLATE	2	
49	6G8-44150-10-00	SHIFT CAM ASSY	1	UR LONG
49	6G8-44150-20-00	SHIFT CAM ASSY	1	UR ULTRA LONG
50	682-44147-00-00	.BOOT, SHIFT ROD	1	
51	682-44176-00-00	BRACKET	1	
52	97780-50110-00	SCREW, PAN HEAD	1	

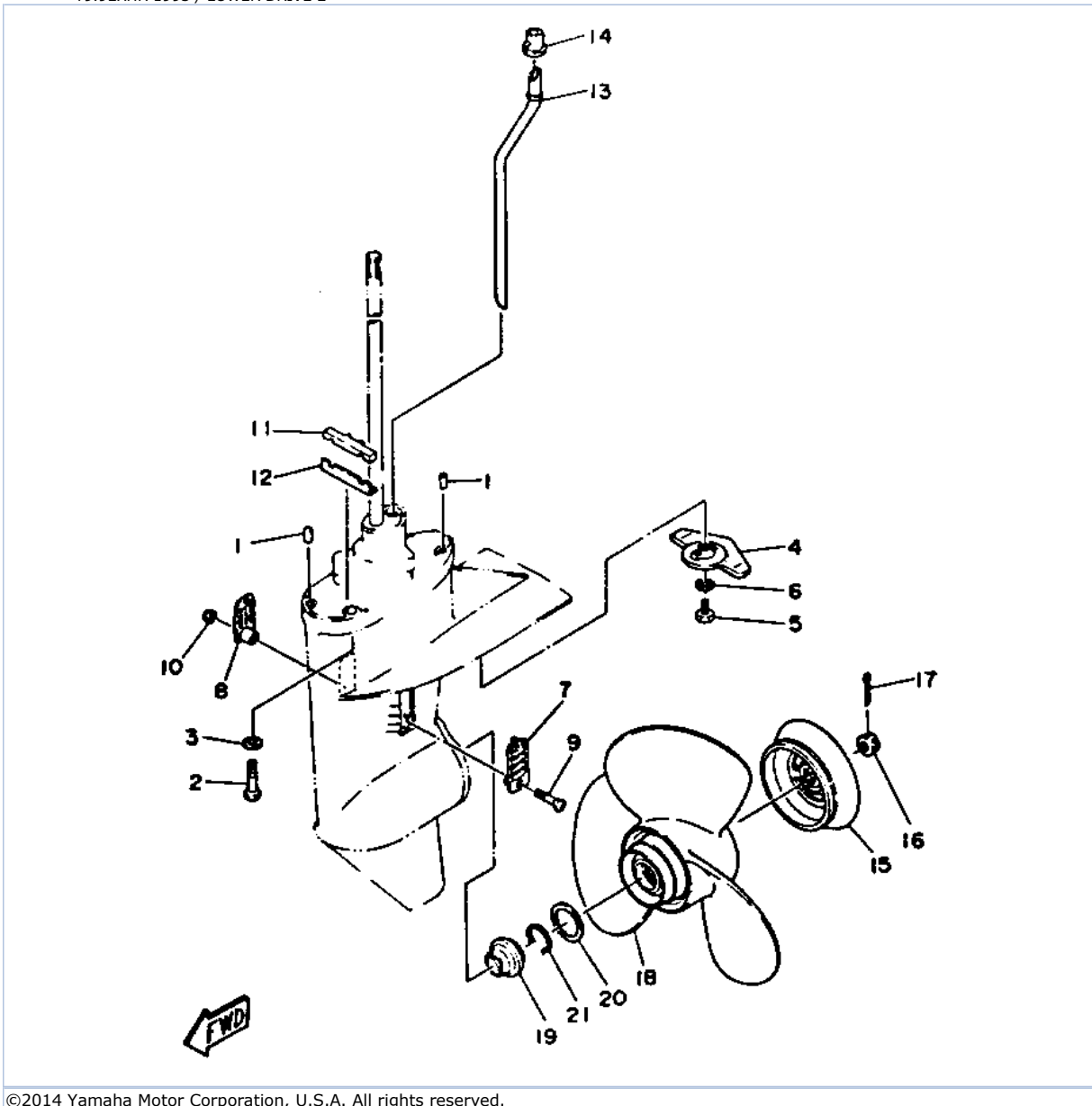
Part Notes

T9.9EXHR 1993 / LOWER DRIVE 1

PART NUMBER		NOTE TEXT
90430-08020-00		OEM: This part number is among the Top 100 Most Popular Marine Maintenance Parts as of March 2014.
92990-06600-00		OEM: This part number is among the Top 100 Most Popular Marine Maintenance Parts as of March 2014.
92990-06600-00		OEM: This part number is among the Top 100 Most Popular Marine Maintenance Parts as of March 2014.

©2014 Yamaha Motor Corporation, U.S.A. All rights reserved.

T9.9EXHR 1993 / LOWER DRIVE 2



©2014 Yamaha Motor Corporation, U.S.A. All rights reserved.


Part List

T9.9EXHR 1993 / LOWER DRIVE 2

REF - NO	PART NUMBER	PART NAME	QUANTITY	REMARKS
1	93606-12019-00	.PIN, DOWEL	2	
2	97090-08035-00	BOLT	4	
3	92990-08600-00	..WASHER, PLATE	4	
4	6E8-45251-01-00	ANODE	1	
5	97395-06020-00	BOLT, HEXAGON	1	
6	92990-06600-00	WASHER, PLATE	1	
7	6G8-45214-00-00	COVER, WATER INLET 1	1	
8	6G8-45215-00-00	COVER, WATER INLET 2	1	
9	98680-05525-00	SCREW.OVAL HEAD	1	
10	90185-05002-00	NUT, NYLON	1	
11	682-45375-01-00	DAMPER, SEAL	1	
12	682-45376-01-00	GUIDE, SEAL DAMPER	1	
13	6G8-44361-20-00	TUBE, WATER	1	UR ULTRA LONG
13	6G8-44361-10-00	TUBE, WATER	1	UR LONG
14	626-44365-01-00	DAMPER, WATER SEAL	1	
15	6G8-45986-00-00	RING, DEFLECTOR	1	
16	90171-10M07-00	NUT, CASTLE	1	
17	91490-30030-00	PIN, COTTER	1	
18	6G8-45947-00-EL	PROPELLER (3X11-3/4"X9-1/4"-R)	1	UR ALUM.
18	6G8-45945-00-00	PROPELLER(3X11-3/4"X12-1/4"-R)	1	UR
18	6G8-45941-00-00	PROPELLER (3X11" X 11-3/4"-R)	1	UR
18	6G8-45943-00-00	PROPELLER (3X11-3/4"X9-1/4"-R)	1	UR
19	6G8-45987-02-00	SPACER 1	1	
20	90201-31MA3-00	WASHER, PLATE	1	
21	93450-10M04-00	CIRCLIP	1	

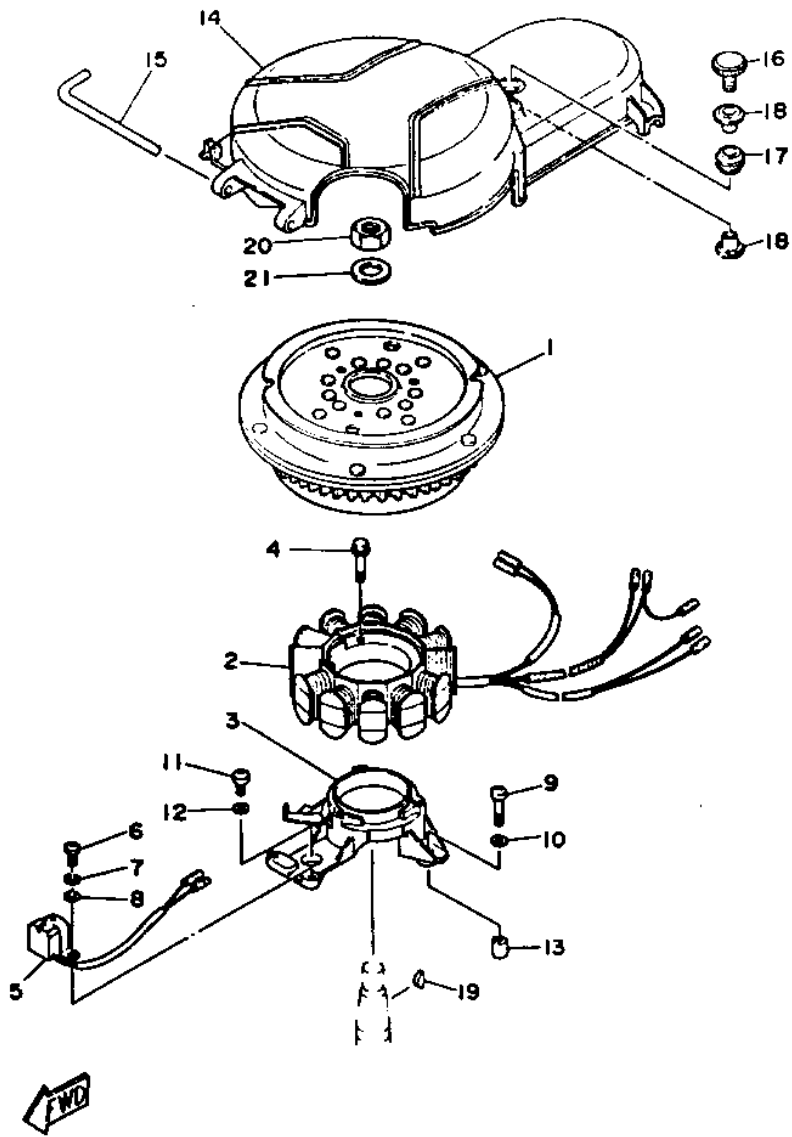
Part Notes

T9.9EXHR 1993 / LOWER DRIVE 2

PART NUMBER	NOTE TEXT
92990-06600-00 	OEM: This part number is among the Top 100 Most Popular Marine Maintenance Parts as of March 2014.

©2014 Yamaha Motor Corporation, U.S.A. All rights reserved.

T9.9EXHR 1993 / CDI MAGNETO



©2014 Yamaha Motor Corporation, U.S.A. All rights reserved.



Part List

T9.9EXHR 1993 / CDI MAGNETO

REF - NO	PART NUMBER	PART NAME	QUANTITY	REMARKS
1	6G8-85550-11-00	ROTOR ASSY	1	
2	6G8-85510-01-00	STATOR ASSY	1	
3	6G8-85561-00-94	BASE, MAGNETO	1	
4	95023-06025-00	BOLT	3	
5	6G8-85580-02-00	.COIL, PULSER	1	
6	98580-05012-00	.SCREW, PAN HEAD	2	
7	92990-05100-00	.WASHER, SPRING	2	
8	92990-05600-00	WASHER, PLATE	2	
9	98580-06025-00	SCREW, PAN HEAD	2	
10	92990-06600-00	WASHER, PLATE	2	
11	98580-06020-00	SCREW, PAN HEAD	1	
12	92990-06600-00	WASHER, PLATE	1	
13	99510-08012-00	PIN, DOWEL	2	
14	6G8-81337-00-00	COVER, FLYWHEEL	1	
15	6G8-42752-00-00	SHAFT	1	
16	6G8-81323-00-00	SCREW 1	1	
17	90480-15M31-00	GROMMET	1	
18	90387-06M71-00	COLLAR	2	
19	90280-16053-00	KEY, WOODRUFF	1	
20	90170-12066-00	NUT	1	
21	90201-12472-00	WASHER, PLATE	1	

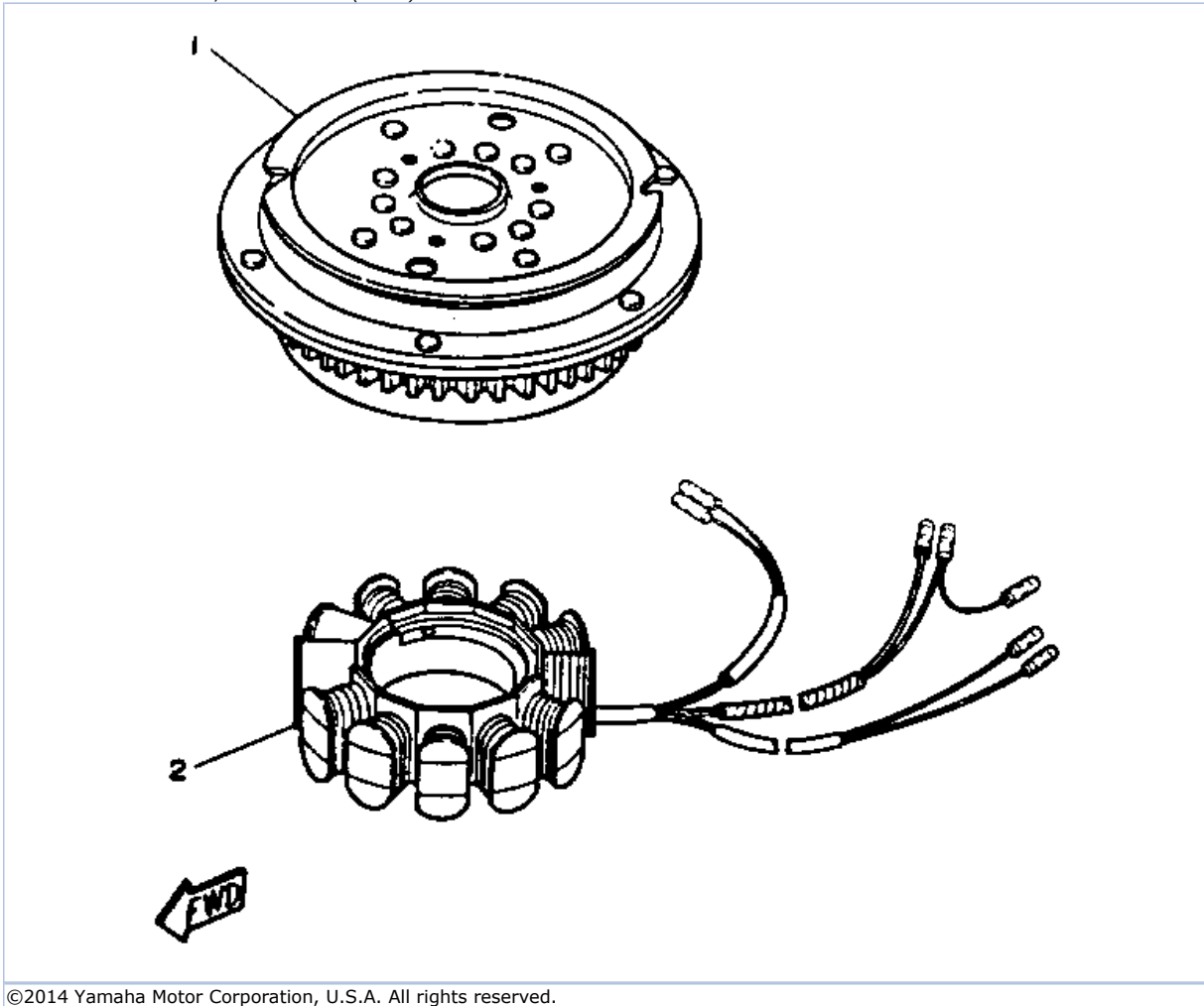
Part Notes

T9.9EXHR 1993 / CDI MAGNETO

PART NUMBER	NOTE TEXT
92990-06600-00 	OEM: This part number is among the Top 100 Most Popular Marine Maintenance Parts as of March 2014.
92990-06600-00 	OEM: This part number is among the Top 100 Most Popular Marine Maintenance Parts as of March 2014.

©2014 Yamaha Motor Corporation, U.S.A. All rights reserved.

T9.9EXHR 1993 / CDI MAGNETO (EH ER)



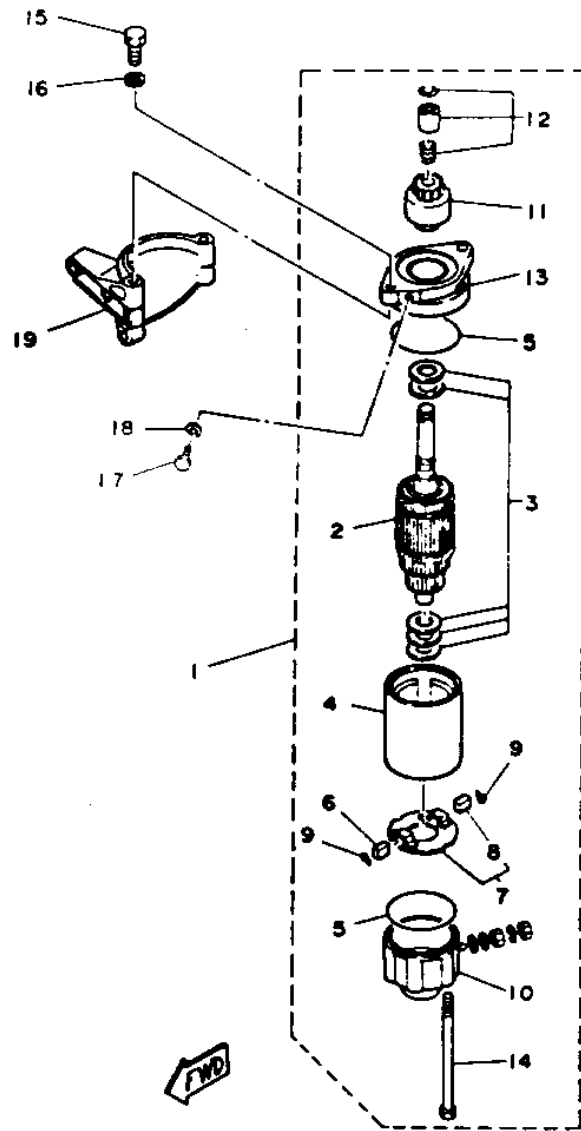
©2014 Yamaha Motor Corporation, U.S.A. All rights reserved.

Part List

T9.9EXHR 1993 / CDI MAGNETO (EH ER)

REF - NO	PART NUMBER	PART NAME	QUANTITY	REMARKS
1	6G8-85550-01-00	ROTOR ASSY	1	
2	6G8-85510-01-00	STATOR ASSY	1	

T9.9EXHR 1993 / STARTING MOTOR



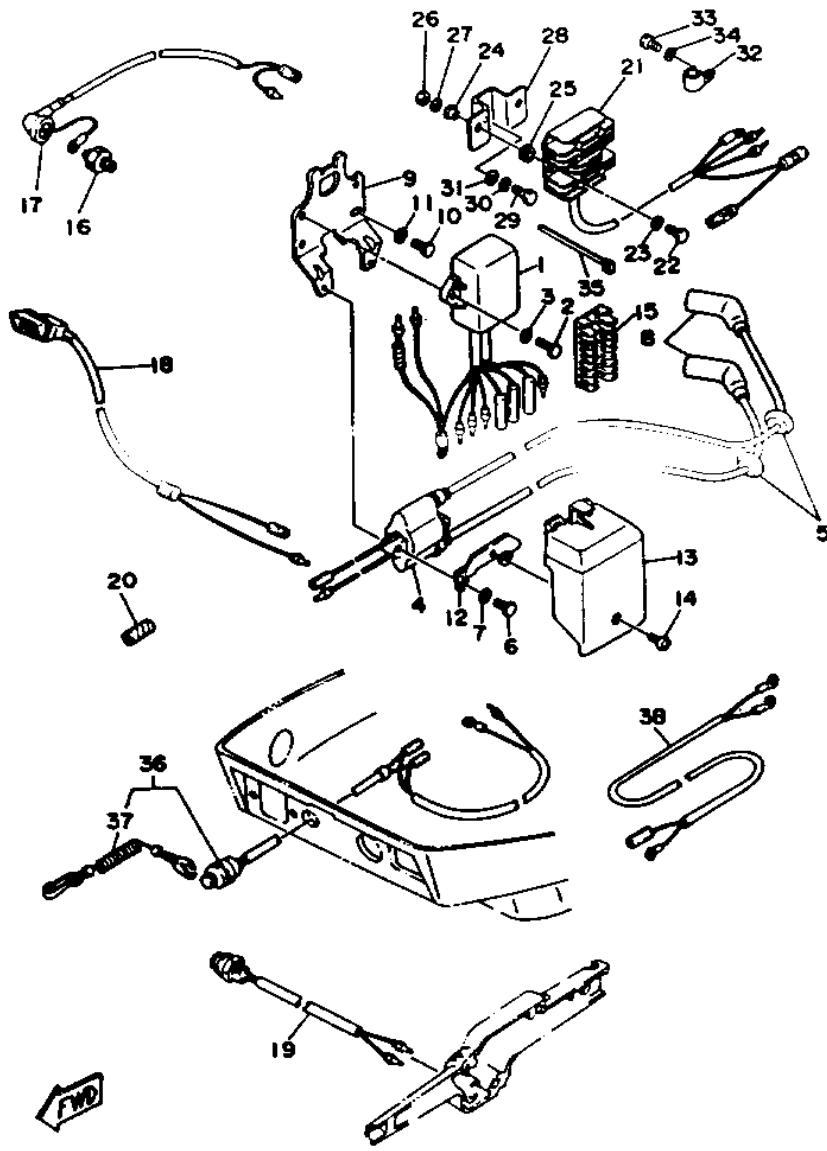
©2014 Yamaha Motor Corporation, U.S.A. All rights reserved.

Part List

T9.9EXHR 1993 / STARTING MOTOR

REF - NO	PART NUMBER	PART NAME	QUANTITY	REMARKS
1	6G8-81800-11-00	STARTING MOTOR ASSY	1	
2	689-81850-12-00	.ARMATURE ASSY	1	
3	689-81809-11-00	.WASHER KIT	1	
4	689-81810-11-00	.STATOR ASSY	1	
5	689-81847-11-00	.O-RING	2	
6	689-81811-11-00	.BRUSH 1	1	
7	689-81840-11-00	.BRUSH HOLDER ASSY	1	
8	689-81812-11-00	..BRUSH 2	1	
9	689-81813-10-00	.SPRING, BRUSH	2	
10	689-81820-11-00	.REAR BRACKET ASSY	1	
11	689-81807-12-00	.GEAR ASSY, STARTING MOTOR	1	
12	689-81857-11-00	.PINION STOPPER SET	1	
13	6F5-81830-11-00	.FRONT BRACKET ASSY	1	
14	689-81826-10-00	.BOLT	2	
15	97013-08025-00	BOLT	2	
16	92990-08600-00	..WASHER, PLATE	2	
17	97395-08016-00	BOLT	1	
18	92990-08600-00	..WASHER, PLATE	1	
19	6G8-81822-40-94	BRACKET, STARTING MOTOR	1	

T9.9EXHR 1993 / ELECTRIC PARTS



©2014 Yamaha Motor Corporation, U.S.A. All rights reserved.








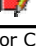
Part List

T9.9EXHR 1993 / ELECTRIC PARTS

REF - NO	PART NUMBER	PART NAME	QUANTITY	REMARKS
1	6G8-85540-22-00	C.D.I. UNIT ASSEMBLY	1	
2	97395-06020-00	BOLT, HEXAGON	2	
3	92990-06600-00	WASHER, PLATE	2	
4	6G8-85570-21-00	IGNITION COIL ASSY	1	
5	90480-25161-00	GROMMET	2	
6	97395-06025-00	BOLT	2	
7	92990-06600-00	WASHER, PLATE	2	
8	6G8-82370-20-00	PLUG CAP ASSEMBLY	2	
9	6G8-85542-00-00	BRACKET	1	
10	97395-06020-00	BOLT, HEXAGON	2	
11	92990-06600-00	WASHER, PLATE	2	
12	6G8-85525-00-00	PLATE	1	
13	6G8-81916-00-00	COVER, TERMINAL	1	
14	98980-06008-00	SCREW, BIND	1	
15	6G8-82522-00-00	CLAMP, COUPLER	1	
16	6G8-82504-00-00	OIL PRESSURE SWITCH ASSY	1	
17	6G8-82127-00-00	WIRE, LEAD 2	1	
18	6G8-83582-01-00	PILOT LIGHT ASSY	1	
19	6G8-82550-20-00	ENGINE STOP SWITCH ASSY	1	AP FOR HANDY REMOTE CONTROL
19	6G8-82550-10-00	ENGINE STOP SWITCH ASSY	1	
20	90446-10M02-00	HOSE	1	
21	6G8-81960-00-00	RECTIFIER & REGULATOR ASSY	1	
22	97395-06025-00	BOLT	2	
23	92990-06600-00	WASHER, PLATE	2	
24	90387-06M70-00	COLLAR	2	
25	90480-13M24-00	GROMMET	2	
26	95380-06700-00	NUT	2	
27	92990-06600-00	WASHER, PLATE	2	
28	6G8-81948-02-00	BRACKET	1	
29	97395-06020-00	BOLT, HEXAGON	1	
30	92995-06100-00	WASHER, SPRING	1	
31	92990-06600-00	WASHER, PLATE	1	
32	90465-08028-00	CLAMP	1	
33	97013-06012-00	BOLT	1	
34	92990-06600-00	WASHER, PLATE	1	
35	90465-11M10-00	CLAMP	1	
36	6G8-82575-00-00	ENGINE STOP SWITCH ASSY	1	
37	682-82556-00-00	.LANYARD, STOP SWITCH	1	
38	6G8-81949-00-00	WIRE, LEAD	1	AP

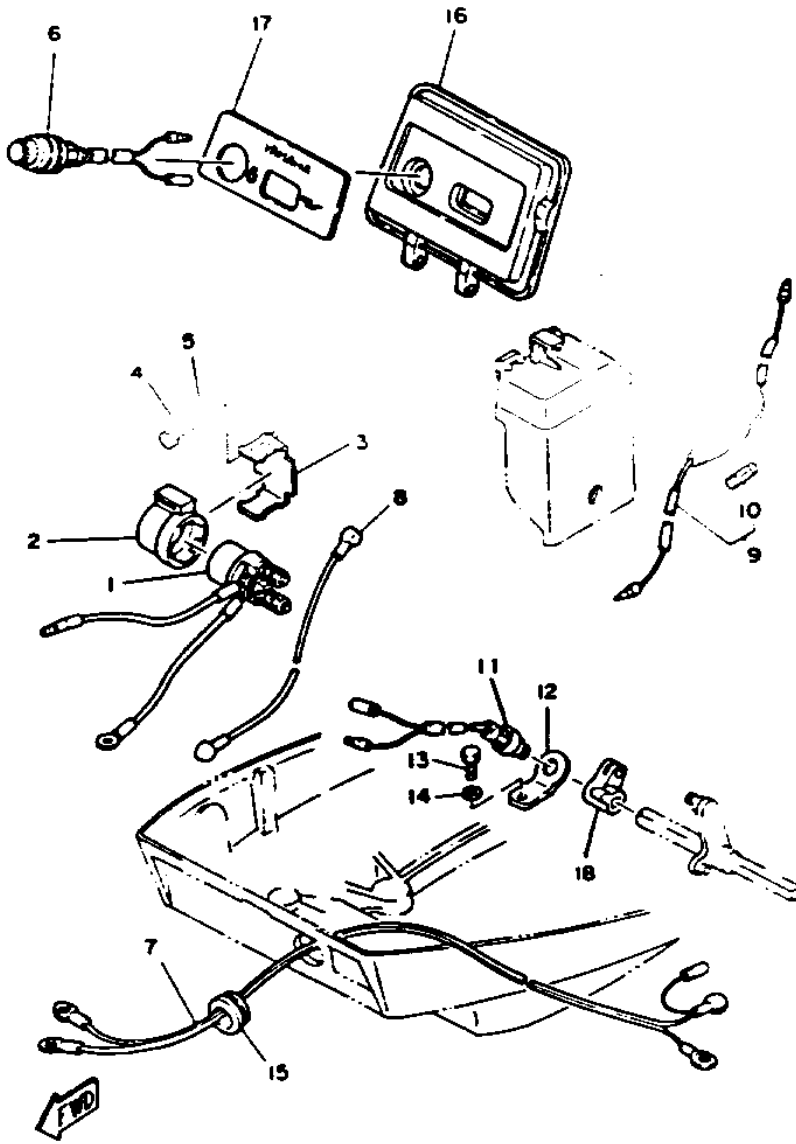
Part Notes

T9.9EXHR 1993 / ELECTRIC PARTS

PART NUMBER		NOTE TEXT
92990-06600-00		OEM: This part number is among the Top 100 Most Popular Marine Maintenance Parts as of March 2014.
92990-06600-00		OEM: This part number is among the Top 100 Most Popular Marine Maintenance Parts as of March 2014.
92990-06600-00		OEM: This part number is among the Top 100 Most Popular Marine Maintenance Parts as of March 2014.
92990-06600-00		OEM: This part number is among the Top 100 Most Popular Marine Maintenance Parts as of March 2014.
92990-06600-00		OEM: This part number is among the Top 100 Most Popular Marine Maintenance Parts as of March 2014.
92990-06600-00		OEM: This part number is among the Top 100 Most Popular Marine Maintenance Parts as of March 2014.
92990-06600-00		OEM: This part number is among the Top 100 Most Popular Marine Maintenance Parts as of March 2014.
682-82556-00-00		OEM: This part number is among the Top 100 Most Popular Marine Maintenance Parts as of March 2014.

©2014 Yamaha Motor Corporation, U.S.A. All rights reserved.

T9.9EXHR 1993 / ELECTRIC PARTS 1 (EH)



©2014 Yamaha Motor Corporation, U.S.A. All rights reserved.



Part List

T9.9EXHR 1993 / ELECTRIC PARTS 1 (EH)

REF - NO	PART NUMBER	PART NAME	QUANTITY	REMARKS
1	6J0-81941-10-00	STARTER RELY ASSY	1	
2	6G1-81952-00-00	HOLDER, RELAY	1	
3	6G8-81953-00-00	STAY, RELAY	1	
4	97013-06012-00	BOLT	1	
5	92990-06600-00	WASHER, PLATE	1	
6	6G8-81870-00-00	STARTING SWITCH ASSY	1	
7	6G8-82105-00-00	BATTERY CABLE	1	
8	6G8-82117-00-00	WIRE, LEAD	1	
9	6G8-82150-00-00	FUSE HOLDER ASSY	1	
10	682-82151-00-00	.FUSE (12V-20A)	1	
11	6H3-82540-00-00	NEUTRAL SWITCH ASSY	1	
12	6G8-82554-00-00	STAY, NEUTRAL SWITCH	1	
13	97013-06012-00	BOLT	1	
14	92990-06600-00	WASHER, PLATE	1	
15	6G8-42724-40-00	GROMMET	1	
16	6G8-W4261-10-00	PANEL, FRONT UPPER	1	
17	6G8-42677-10-00	GRAPHIC, FRONT	1	
18	6G8-44125-00-00	LEVER, SHIFT ROD	1	

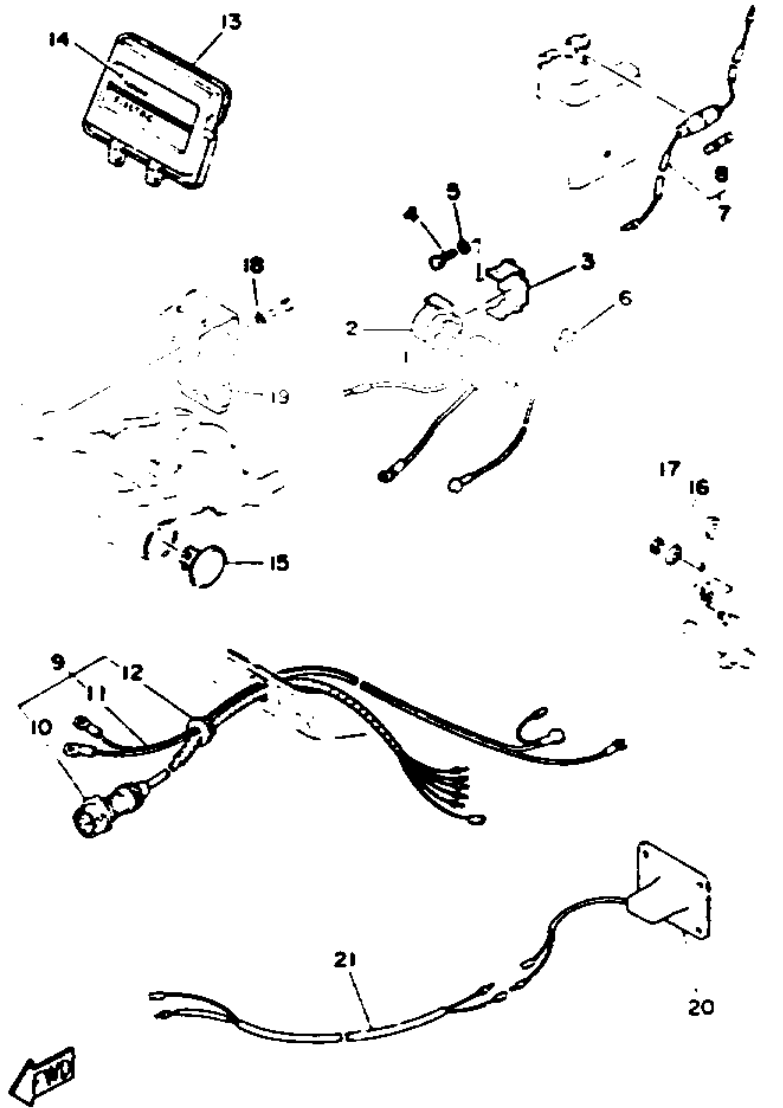
Part Notes

T9.9EXHR 1993 / ELECTRIC PARTS 1 (EH)

PART NUMBER		NOTE TEXT
92990-06600-00		OEM: This part number is among the Top 100 Most Popular Marine Maintenance Parts as of March 2014.
92990-06600-00		OEM: This part number is among the Top 100 Most Popular Marine Maintenance Parts as of March 2014.

©2014 Yamaha Motor Corporation, U.S.A. All rights reserved.

T9.9EXHR 1993 / ELECTRIC PARTS 2 (ER)



©2014 Yamaha Motor Corporation, U.S.A. All rights reserved.



Part List

T9.9EXHR 1993 / ELECTRIC PARTS 2 (ER)

REF - NO	PART NUMBER	PART NAME	QUANTITY	REMARKS
1	6J0-81941-10-00	STARTER RELY ASSY	1	
2	6G1-81952-00-00	HOLDER, RELAY	1	
3	6G8-81953-00-00	STAY, RELAY	1	
4	97013-06012-00	BOLT	1	
5	92990-06600-00	WASHER, PLATE	1	
6	6G8-82117-00-00	WIRE, LEAD	1	
7	6G8-82150-00-00	FUSE HOLDER ASSY	1	
8	682-82151-00-00	.FUSE (12V-20A)	1	
9	6G8-82580-00-00	WIRE HARNESS ASSY 2	1	
10	6G8-82590-00-00	.WIRE HARNESS ASSY	1	
11	6G8-82105-00-00	.BATTERY CABLE	1	
12	6G8-42724-50-00	.GROMMET	1	
13	6G8-W4261-10-00	PANEL, FRONT UPPER	1	
14	6G8-42677-20-00	GRAPHIC, FRONT	1	
15	6G8-42551-00-00	GROMMET	1	
16	90387-06M73-00	COLLAR	1	
17	93430-04M03-00	CIRCLIP	1	
18	92990-06600-00	WASHER, PLATE	2	
19	6G8-48351-51-00	SEAL RUBBER	1	
20	6G8-83530-00-00	PILOT LIGHT ASSY	1	
21	6G8-82541-00-00	WIRE, LEAD	1	

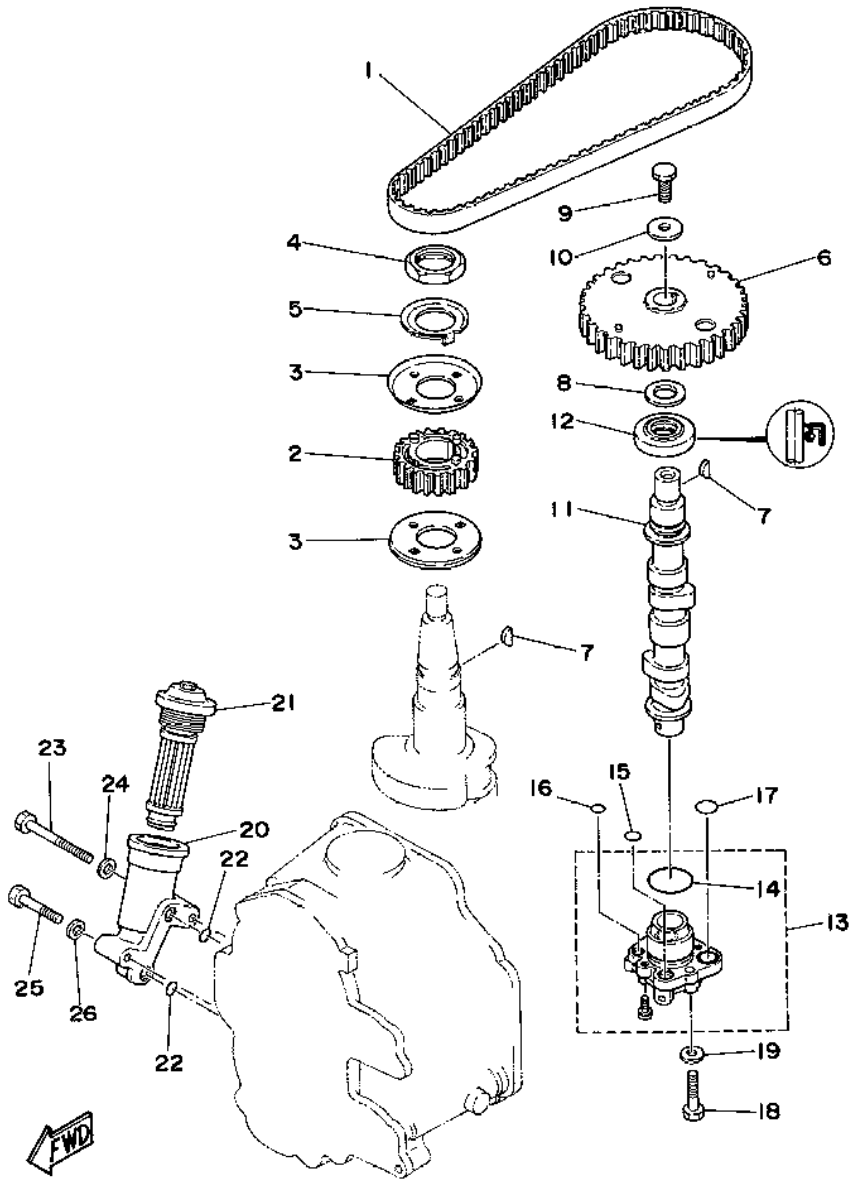
Part Notes

T9.9EXHR 1993 / ELECTRIC PARTS 2 (ER)

PART NUMBER	NOTE TEXT
92990-06600-00 	OEM: This part number is among the Top 100 Most Popular Marine Maintenance Parts as of March 2014.
92990-06600-00 	OEM: This part number is among the Top 100 Most Popular Marine Maintenance Parts as of March 2014.

©2014 Yamaha Motor Corporation, U.S.A. All rights reserved.

T9.9EXHR 1993 / OIL PUMP BELT



©2014 Yamaha Motor Corporation, U.S.A. All rights reserved.




Part List

T9.9EXHR 1993 / OIL PUMP BELT

REF - NO	PART NUMBER	PART NAME	QUANTITY	REMARKS
1	6G8-46241-00-00	V-BELT	1	
2	6G8-11536-00-94	GEAR, DRIVE	1	
3	6G8-11557-00-00	WASHER 1	2	
4	90170-24M09-00	NUT	1	
5	6G8-11587-00-00	WASHER, LOCK	1	
6	6G8-11537-00-94	GEAR, DRIVEN	1	
7	90280-03M01-00	.KEY, WOODRUFF	2	
8	90201-13201-00	WASHER, PLATE	1	
9	97313-06016-00	BOLT, HEXAGON	1	
10	90201-06M94-00	WASHER, PLATE	1	
11	6G8-12171-00-00	CAMSHAFT 1	1	
12	93102-18M21-00	.OIL SEAL	1	
13	6G8-13300-02-00	OIL PUMP ASSY	1	
14	93210-27ME3-00	.O-RING	1	
15	93210-10M61-00	.O-RING	1	
16	93210-09M01-00	.O-RING	1	
17	93210-13M63-00	.O-RING	2	
18	97395-06025-00	BOLT	3	
19	92990-06600-00	WASHER, PLATE	3	
20	6G8-13442-00-94	HOUSING, OIL FILTER	1	
21	6G8-13440-00-00	ELEMENT ASSY,OIL CLEANER	1	
22	93210-09M01-00	.O-RING	2	
23	97313-06050-00	BOLT	1	
24	92990-06600-00	WASHER, PLATE	1	
25	97313-06030-00	BOLT	1	
26	92990-06600-00	WASHER, PLATE	1	

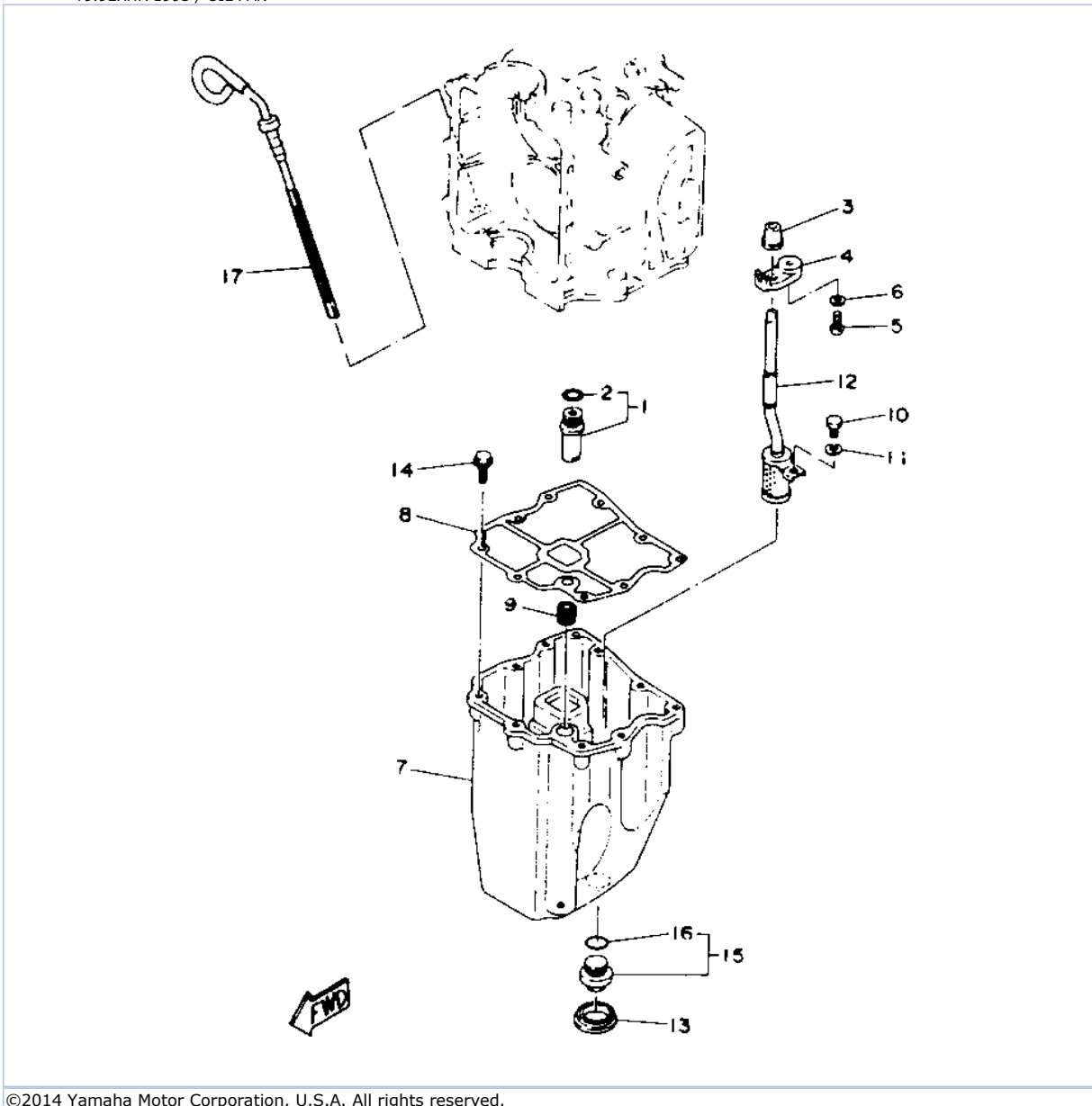
Part Notes

T9.9EXHR 1993 / OIL PUMP BELT

PART NUMBER	NOTE TEXT
92990-06600-00 	OEM: This part number is among the Top 100 Most Popular Marine Maintenance Parts as of March 2014.
92990-06600-00 	OEM: This part number is among the Top 100 Most Popular Marine Maintenance Parts as of March 2014.
92990-06600-00 	OEM: This part number is among the Top 100 Most Popular Marine Maintenance Parts as of March 2014.

©2014 Yamaha Motor Corporation, U.S.A. All rights reserved.

T9.9EXHR 1993 / OIL PAN



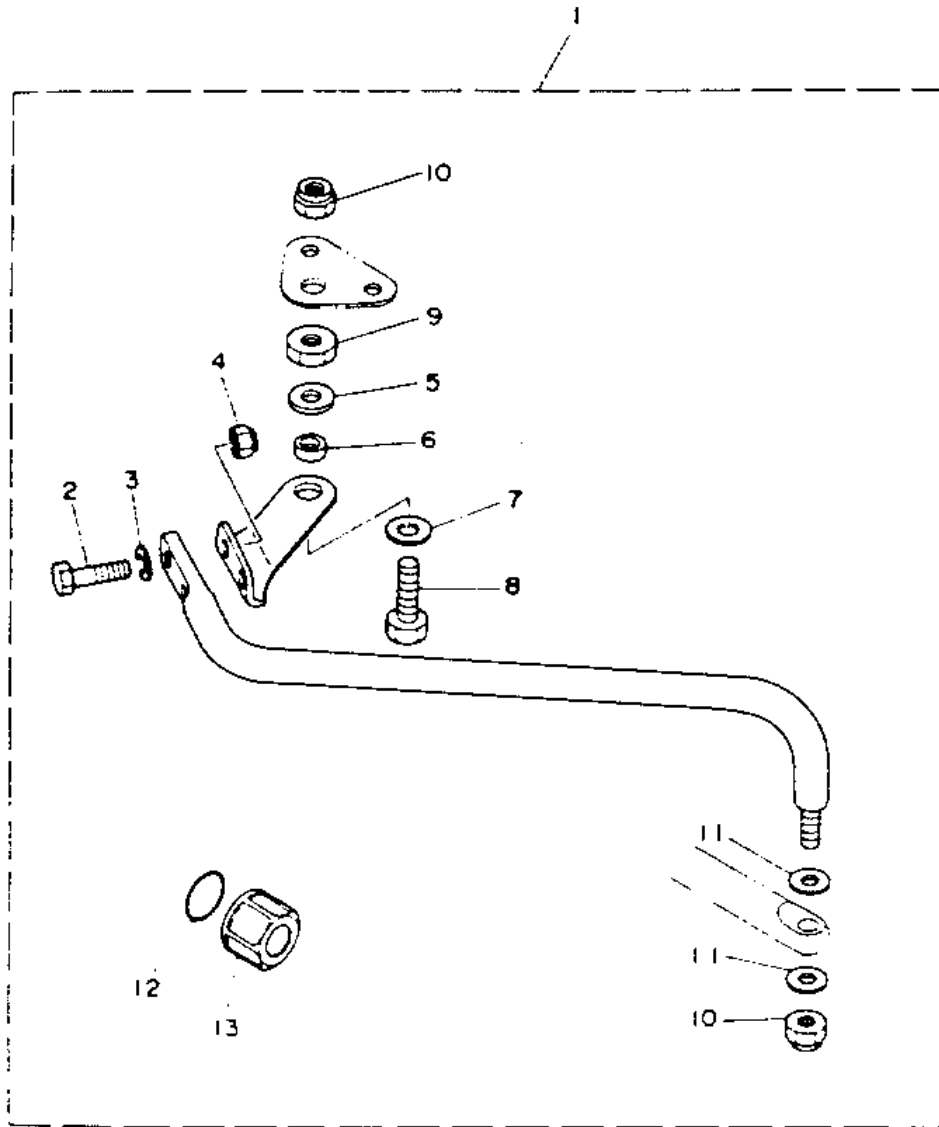
©2014 Yamaha Motor Corporation, U.S.A. All rights reserved.

Part List

T9.9EXHR 1993 / OIL PAN

REF - NO	PART NUMBER	PART NAME	QUANTITY	REMARKS
1	6G8-11575-00-00	RELIEF VALVE ASSY	1	
2	93210-12M62-00	.O-RING	1	
3	6G8-15379-00-00	SEAL, CRANKCASE	1	
4	6G8-13487-00-00	GUIDE, OIL HOSE	1	
5	98580-05012-00	.SCREW, PAN HEAD	1	
6	92901-05600-00	WASHER	1	
7	6G8-15311-02-0D	OIL PAN	1	
8	6G8-15312-A1-00	.GASKET, OIL PAN	1	
9	6G8-45127-00-00	SEAL	1	
10	97313-06010-00	BOLT, HEXAGON	1	
11	92995-06100-00	WASHER, SPRING	1	
12	6G8-13421-00-00	STRAINER 2	1	
13	6G8-15316-00-00	DAMPER, ENGINE MOUNT 1	1	
14	90105-06M33-00	BOLT, FLANGE	9	
15	6G8-13471-00-00	PLUG, DRAIN	1	
16	93210-16716-00	.O-RING	1	
17	6G8-15362-04-00	PLUG, OIL LEVEL	1	

T9.9EXHR 1993 / STEERING GUIDE ATTACHMENT



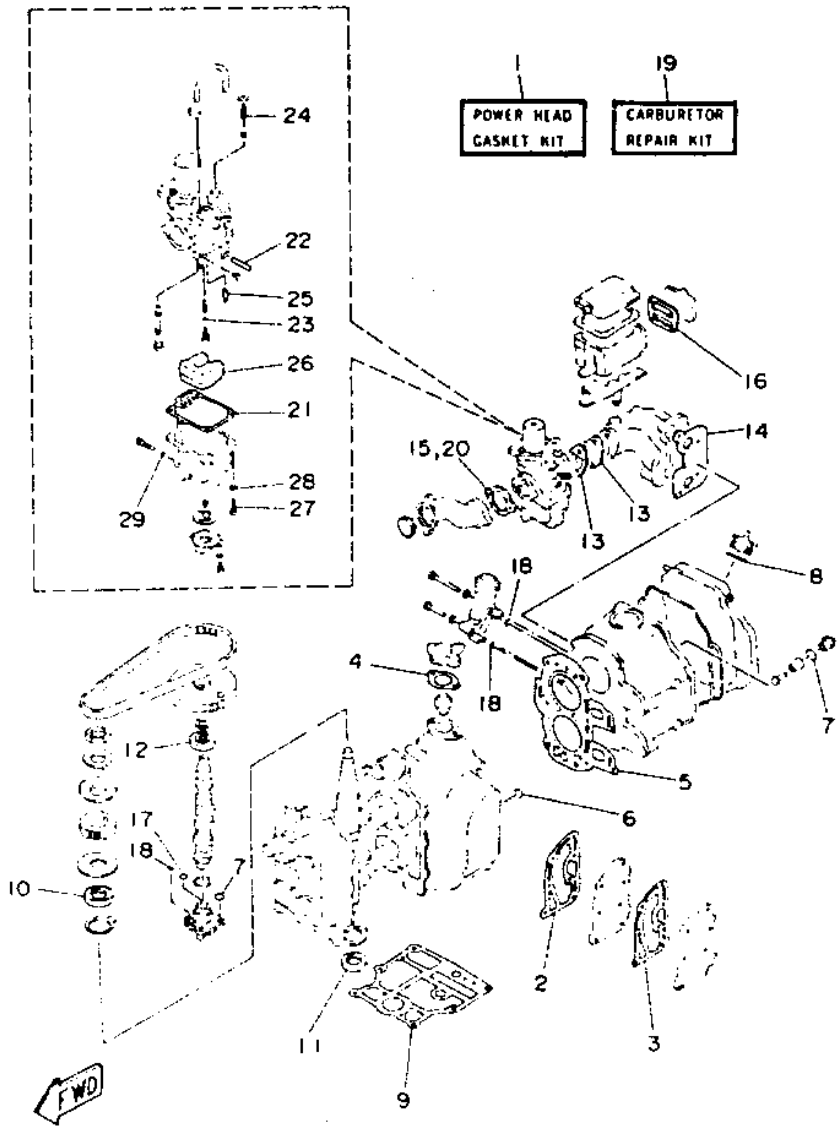
©2014 Yamaha Motor Corporation, U.S.A. All rights reserved.

Part List

T9.9EXHR 1993 / STEERING GUIDE ATTACHMENT

REF - NO	PART NUMBER	PART NAME	QUANTITY	REMARKS
1	6G8-61350-00-00	STEERING GUIDE ATTACHMENT KIT	1	
2	97395-08025-00	.BOLT	2	
3	92990-08600-00	.WASHER, PLATE	2	
4	95780-08300-00	.NUT, FLANGE	2	
5	90201-10M04-00	.WASHER, PLATE	1	
6	90387-10M06-00	.COLLAR	1	
7	90201-10M63-00	.WASHER, PLATE	1	
8	6E5-61355-00-00	.BOLT	1	
9	90170-09M03-00	.NUT	1	
10	90185-09M01-00	.NUT, SELF-LOCKING	2	
11	90201-10M20-00	.WASHER, PLATE	2	
12	93210-16275-00	.O-RING	1	
13	6E5-43145-00-00	.CAP, CLAMP BRACKET	1	

T9.9EXHR 1993 / REPAIR KIT 1



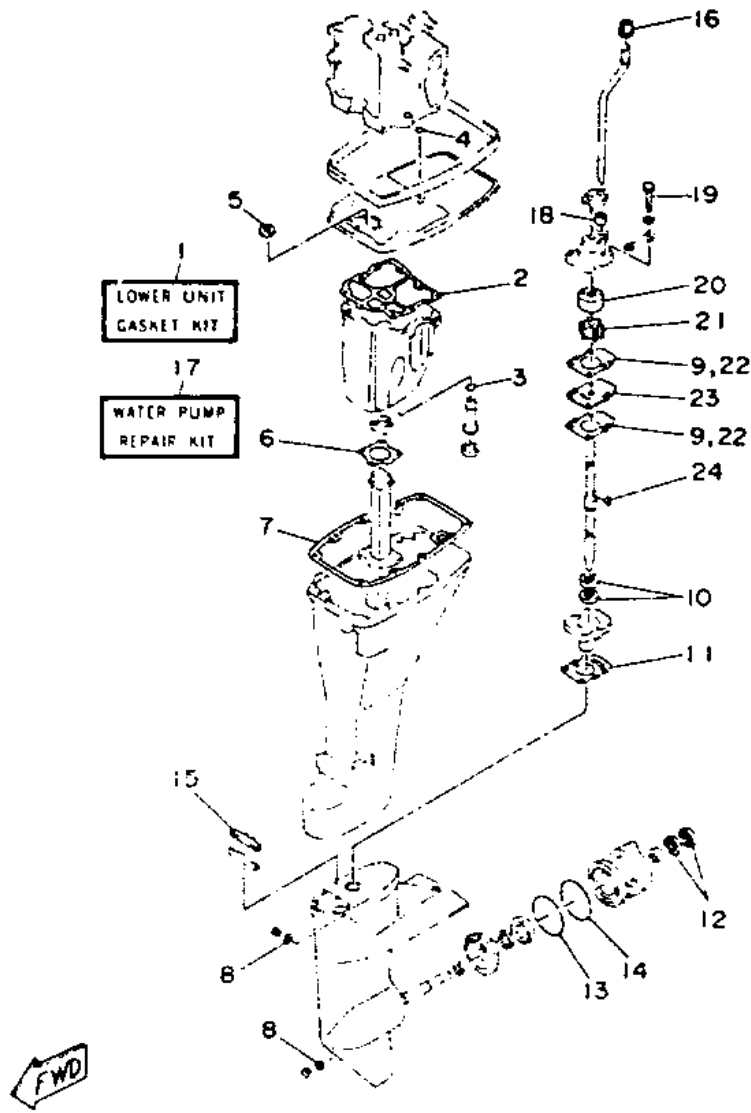
©2014 Yamaha Motor Corporation, U.S.A. All rights reserved.

Part List

T9.9EXHR 1993 / REPAIR KIT 1

REF - NO	PART NUMBER	PART NAME	QUANTITY	REMARKS
1	6G8-W0001-03-00	POWER HEAD GASKET KIT	1	
2	6G8-41112-02-00	.GASKET, EXHAUST INNER COVER	1	
3	6G8-41114-00-00	.GASKET, EXHAUST OUTER COVER	1	
4	6G8-12414-A0-00	.GASKET, COVER	1	
5	6G8-11181-A0-00	.GASKET, CYLINDER HEAD 1	1	
6	93210-11M59-00	.O-RING	1	
7	93210-13M63-00	.O-RING	3	
8	93210-25070-00	.O-RING	1	
9	6G8-11351-A0-00	.GASKET, CYLINDER	1	
10	93102-30M22-00	.OIL SEAL	1	
11	93101-25M24-00	.OIL SEAL	1	
12	93102-18M21-00	.OIL SEAL	1	
13	6G8-13646-A0-00	.GASKET, MANIFOLD 2	2	
14	6G8-13645-00-00	.GASKET, MANIFOLD 1	1	
15	6G8-14198-A0-00	.GASKET	1	
16	6G8-15374-00-00	.GASKET, BREATHER	1	
17	93210-10M61-00	.O-RING	1	
18	93210-09M01-00	.O-RING	3	
19	6G8-W0093-01-00	CARBURETOR REPAIR KIT	1	
20	6G8-14198-A0-00	.GASKET	1	
21	6G8-14384-01-00	.GASKET, FLOAT CHAMBER	1	
22	647-14386-10-00	.PIN, FLOAT	1	
23	654-14198-00-00	.GASKET	1	
24	6G8-14323-00-00	.SCREW, AIR ADJUSTING	1	
25	6G8-14392-00-00	.VALVE, NEEDLE	1	
26	6G8-14385-00-00	.FLOAT	1	
27	98503-04014-00	.SCREW, PAN HEAD	1	
28	92901-04100-00	.WASHER, SPRING	1	
29	5Y1-14397-00-00	.O-RING	1	

T9.9EXHR 1993 / REPAIR KIT 2



©2014 Yamaha Motor Corporation, U.S.A. All rights reserved.


Part List

T9.9EXHR 1993 / REPAIR KIT 2

REF - NO	PART NUMBER	PART NAME	QUANTITY	REMARKS
1	6G8-W0001-24-00	LOWER UNIT GASKET KIT	1	
2	6G8-15312-A1-00	.GASKET, OIL PAN	1	
3	93210-16716-00	.O-RING	1	
4	93210-08M60-00	.O-RING	1	
5	93101-13M27-00	.O-RING	1	
6	6G8-41133-A0-00	.GASKET, EXHAUST MANIFOLD 1	1	
7	6G8-45113-A0-00	.GASKET, UPPER CASING	1	
8	90430-08020-00	.GASKET	3	
9	682-44315-A0-00	.GASKET, WATER PUMP	2	
10	93101-20048-00	.OIL SEAL	2	
11	6G8-45315-A0-00	.PACKING, LOWER CASING	1	
12	93101-17054-00	.OIL SEAL	2	
13	93210-74M68-00	.O-RING	1	
14	93210-74316-00	.O-RING	1	
15	682-45375-01-00	.DAMPER, SEAL	1	
16	626-44365-01-00	.DAMPER, WATER SEAL	1	
17	682-W0078-01-00	WATER PUMP REPAIR KIT	1	
18	682-44365-00-00	.DAMPER, WATER SEAL	1	
19	97395-06040-00	.BOLT	4	
20	682-44322-00-00	.INSERT, CARTRIDGE	1	
21	682-44352-01-00	.IMPELLER	1	
22	682-44315-A0-00	.GASKET, WATER PUMP	2	
23	682-44323-00-00	.OUTER PLATE, CARTRIDGE	1	
24	90280-03024-00	.KEY, WOODRUFF	1	

Part Notes

T9.9EXHR 1993 / REPAIR KIT 2

PART NUMBER	NOTE TEXT
90430-08020-00 	OEM: This part number is among the Top 100 Most Popular Marine Maintenance Parts as of March 2014.

©2014 Yamaha Motor Corporation, U.S.A. All rights reserved.

©2014 Yamaha Motor Corporation, U.S.A. All rights reserved.