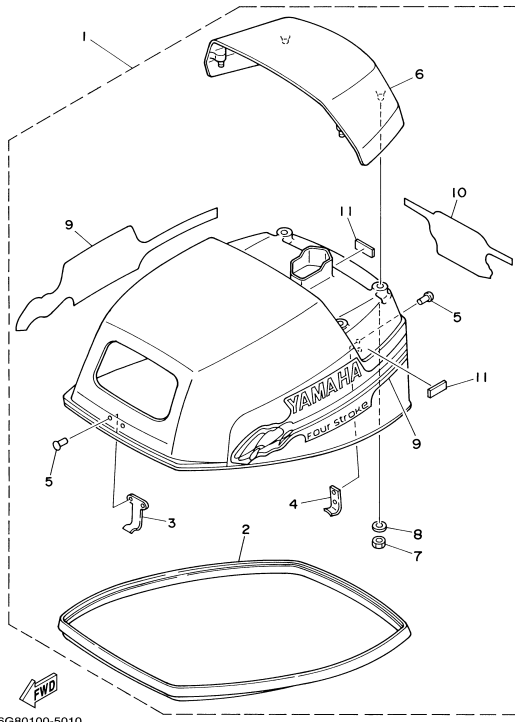


T9.9ELRZ 2001 / TOP COWLING



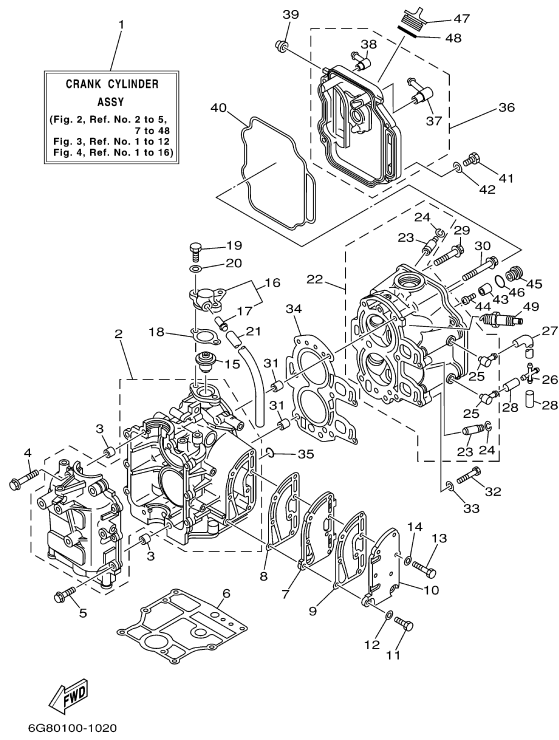
©2014 Yamaha Motor Corporation, U.S.A. All rights reserved.

Part List

T9.9ELRZ 2001 / TOP COWLING

| REF - NO | PART NUMBER | PART NAME | QUANTITY | REMARKS |
|----------------|-----------------|--------------------|----------|---------|
| 1 | 6G8-42610-51-4D | TOP COWLING ASSY | 1 | |
| 2 | 6G8-42615-01-00 | .SEAL | 1 | |
| 3 | 6G8-42651-00-00 | .HOOK | 1 | |
| 4 | 6G8-42652-00-00 | .HOOK | 1 | |
| 5 | 90266-04M04-00 | .RIVET | 4 | |
| 6 | 6G8-42613-01-4D | .MOLDING, AIR DUCT | 1 | |
| 7 | 95303-06700-00 | .NUT | 4 | |
| 8 | 92903-06200-00 | .WASHER, PLAIN | 4 | |
| 9 | 6G9-W0070-13-00 | .GRAPHIC SET | 1 | |
| 10 | 6G8-42678-51-00 | .GRAPHIC, REAR | 1 | |
| 11 | 6G8-42662-00-00 | .DAMPER | 3 | |

T9.9ELRZ 2001 / CYLINDER CRANKCASE



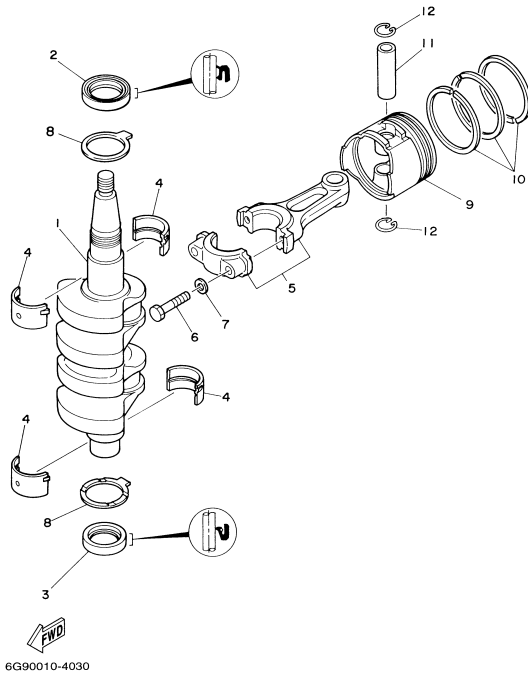
©2014 Yamaha Motor Corporation, U.S.A. All rights reserved.

Part List

T9.9ELRZ 2001 / CYLINDER CRANKCASE

| REF - NO | PART NUMBER | PART NAME | QUANTITY | REMARKS |
|----------------|-----------------|--------------------------------|----------|---------|
| 1 | 6G8-W0090-34-1S | CRANK CYLINDER ASSY | 1 | |
| 2 | 6G8-15100-05-1S | CRANKCASE ASSY | 1 | |
| 3 | 99510-10114-00 | PIN, DOWEL | 2 | |
| 4 | 90119-08M18-00 | BOLT, WITH WASHER | 4 | |
| 5 | 90119-06M12-00 | BOLT, WITH WASHER | 6 | |
| 6 | 6G8-11351-A0-00 | GASKET, CYLINDER | 1 | |
| 7 | 6G8-41111-02-1S | INNER COVER, EXHAUST | 1 | |
| 8 | 6G8-41112-02-00 | GASKET, EXHAUST INNER COVER | 1 | |
| 9 | 6G8-41114-00-00 | GASKET, EXHAUST OUTER COVER | 1 | |
| 10 | 6G8-41113-10-1S | OUTER COVER, EXHAUST | 1 | |
| 11 | 97013-06025-00 | BOLT | 2 | |
| 12 | 92903-06600-00 | WASHER, PLATE | 2 | |
| 13 | 97013-06030-00 | BOLT | 5 | |
| 14 | 92903-06600-00 | WASHER, PLATE | 5 | |
| 15 | 6G8-12411-02-00 | THERMOSTAT | 1 | |
| 16 | 6G8-12413-00-1S | COVER, THERMOSTAT | 1 | |
| 17 | 6E5-24377-00-00 | .PIPE, JOINT 2 | 1 | |
| 18 | 6G8-12414-A0-00 | .GASKET, COVER | 1 | |
| 19 | 97013-06020-00 | BOLT | 2 | |
| 20 | 92903-06600-00 | WASHER, PLATE | 2 | |
| 21 | 90445-11M66-00 | .HOSE (L410) | 1 | |
| 22 | 6G8-11111-03-1S | HEAD, CYLINDER 1 | 1 | |
| 23 | 6G8-11133-10-00 | .GUIDE, VALVE 1 | 4 | |
| 24 | 93450-09M01-00 | .CIRCLIP | 4 | |
| 25 | 676-11372-00-00 | .NIPPLE, HOSE | 2 | |
| 26 | 6G9-24379-00-00 | PIPE, JOINT 4 | 1 | |
| 27 | 6G8-12481-01-00 | PIPE 1 | 1 | |
| 28 | 90445-09220-00 | HOSE (L30) | 2 | |
| 29 | 90105-08M37-00 | BOLT, FLANGE | 3 | |
| 30 | 90105-08M36-00 | BOLT, FLANGE | 3 | |
| 31 | 99510-10114-00 | PIN, DOWEL | 2 | |
| 32 | 97013-06035-00 | BOLT | 2 | |
| 33 | 92903-06600-00 | WASHER, PLATE | 2 | |
| 34 | 6G8-11181-A1-00 | GASKET, CYLINDER HEAD 1 | 1 | |
| 35 | 93210-11M59-00 | O-RING | 1 | |
| 36 | 6G8-11191-01-1S | COVER, CYLINDER HEAD 1 | 1 | |
| 37 | 6G8-15373-00-00 | .PIPE, BREATHER | 1 | |
| 38 | 676-11372-00-00 | .NIPPLE, HOSE | 1 | |
| 39 | 6G8-81336-00-00 | GROMMET | 2 | |
| 40 | 6G8-11356-00-00 | SEAL, CYLINDER 2 | 1 | |
| 41 | 97013-06020-00 | BOLT | 4 | |
| 42 | 92903-06600-00 | WASHER, PLATE | 4 | |
| 43 | 6G8-11325-00-00 | ANODE | 1 | |
| 44 | 97880-05025-00 | SCREW, PAN HEAD | 1 | |
| 45 | 6G8-11197-01-00 | PLUG, BLIND | 1 | |
| 46 | 93210-13M63-00 | .O-RING | 1 | |
| 47 | 6G8-15363-00-00 | PLUG, OIL | 1 | |
| 48 | 93210-24M79-00 | .O-RING | 1 | |
| 49 | NGK-CR6HS-00-00 | PLUG SPARK (NGK CR6HS) | 2 | |

T9.9ELRZ 2001 / CRANKSHAFT PISTON



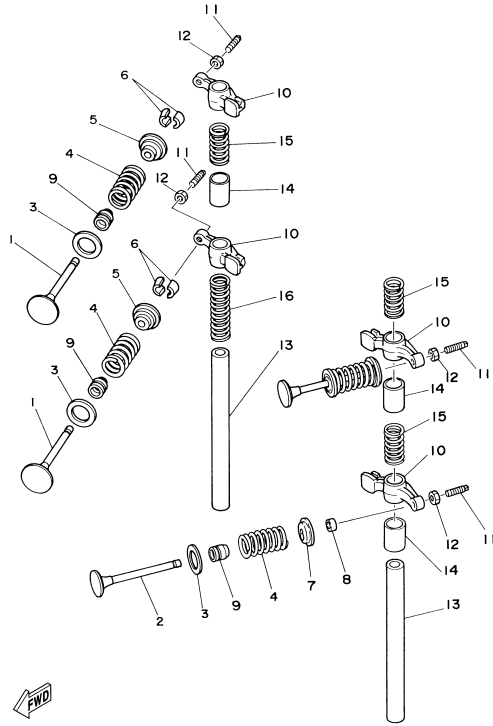
©2014 Yamaha Motor Corporation, U.S.A. All rights reserved.

Part List

T9.9ELRZ 2001 / CRANKSHAFT PISTON

| REF - NO | PART NUMBER | PART NAME | QUANTITY | REMARKS |
|----------------|-----------------|---------------------------------|----------|----------|
| 1 | 6G8-11411-04-00 | CRANKSHAFT | 1 | |
| 2 | 93102-30M22-00 | .OIL SEAL | 1 | |
| 3 | 93101-25M24-00 | OIL SEAL | 1 | |
| 4 | 6G8-11416-00-00 | PLANE BEARING, CRANKSHAFT 1 | 4 | UR BROWN |
| 4 | 6G8-11416-20-00 | PLANE BEARING, CRANKSHAFT 1 | 4 | UR BLUE |
| 4 | 6G8-11416-10-00 | PLANE BEARING, CRANKSHAFT 1 | 4 | UR BLACK |
| 5 | 6G8-11650-03-00 | CONNECTING ROD ASSY | 2 | |
| 6 | 6G8-11654-00-00 | BOLT, CONNECTING ROD | 4 | |
| 7 | 90201-06M00-00 | WASHER, PLATE | 4 | |
| 8 | 6G8-11426-00-00 | PLANE BEARING, CRANKSHAFT 1 | 2 | |
| 9 | 6G8-11631-03-96 | PISTON (STD) | 2 | |
| 9 | 6G8-11635-03-00 | PISTON (0.25MM O/S) | 2 | AP |
| 9 | 6G8-11636-03-00 | PISTON (0.50MM O/S) | 2 | AP |
| 10 | 6G8-11610-22-00 | PISTON RING SET (0.50MM O/S) | 2 | AP |
| 10 | 6G8-11610-12-00 | PISTON RING SET (0.25MM O/S) | 2 | AP |
| 10 | 6G8-11610-02-00 | PISTON RING SET (STD) | 2 | |
| 11 | 634-11633-00-00 | PIN, PISTON | 2 | |
| 12 | 93450-15023-00 | CIRCLIP | 4 | |

T9.9ELRZ 2001 / VALVE



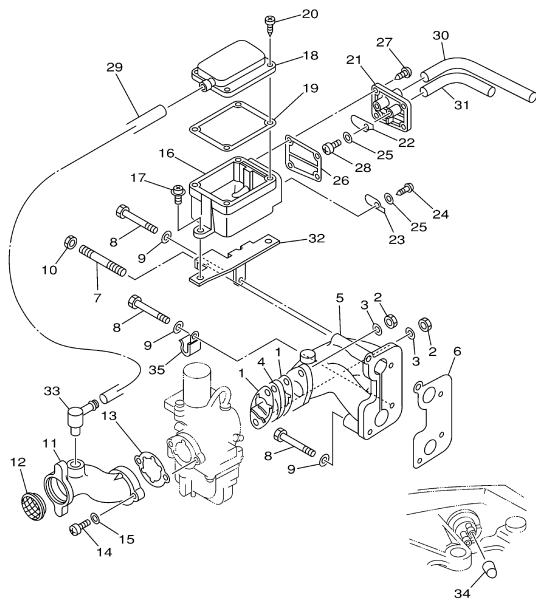

6G90010-4040

Part List

T9.9ELRZ 2001 / VALVE

| REF - NO | PART NUMBER | PART NAME | QUANTITY | REMARKS |
|----------------|-----------------|--------------------------------|----------|---------|
| 1 | 6G8-12111-00-00 | VALVE, INTAKE | 2 | |
| 2 | 6G8-12121-01-00 | VALVE, EXHAUST | 2 | |
| 3 | 6G8-12116-00-00 | SEAT, VALVE SPRING | 4 | |
| 4 | 6G8-12113-00-00 | SPRING, VALVE INNER | 4 | |
| 5 | 6G8-12117-00-00 | RETAINER, VALVE SPRING | 2 | |
| 6 | 30X-12118-00-00 | LOCK, VALVE SPRING RETAINER | 4 | |
| 7 | 6G8-12117-10-00 | RETAINER, VALVE SPRING | 2 | |
| 8 | 6G8-12153-00-00 | LIFTER, VALVE | 2 | |
| 9 | 51Y-12119-00-00 | SEAL, VALVE STEM | 4 | |
| 10 | 6G8-12151-00-00 | ARM, VALVE ROCKER | 4 | |
| 11 | 6G8-12159-00-00 | SCREW, VALVE ADJUSTING | 4 | |
| 12 | 6G8-12158-00-00 | NUT, LOCK | 4 | |
| 13 | 6G8-12146-00-00 | SHAFT, ROCKER | 2 | |
| 14 | 90387-13M56-00 | COLLAR | 3 | |
| 15 | 90501-12M40-00 | SPRING, COMPRESSION | 3 | |
| 16 | 90501-12M41-00 | SPRING, COMPRESSION | 1 | |

T9.9ELRZ 2001 / INTAKE




6G80110-1050


Part List

T9.9ELRZ 2001 / INTAKE

| REF - NO | PART NUMBER | PART NAME | QUANTITY | REMARKS |
|----------------|-----------------|--------------------------|----------|---------|
| 1 | 6G8-13646-A0-00 | GASKET, MANIFOLD 2 | 2 | |
| 2 | 95380-06700-00 | NUT | 2 | |
| 3 | 92990-06600-00 | WASHER, PLATE | 2 | |
| 4 | 6G8-13647-00-00 | GASKET, MANIFOLD 3 | 1 | |
| 5 | 6G8-13641-01-94 | MANIFOLD 1 | 1 | |
| 6 | 6G8-13645-00-00 | GASKET, MANIFOLD 1 | 1 | |
| 7 | 90116-06M15-00 | BOLT, STUD | 1 | |
| 8 | 97095-06045-00 | .BOLT | 3 | |
| 9 | 92995-06600-00 | WASHER | 3 | |
| 10 | 95380-06700-00 | NUT | 1 | |
| 11 | 6G8-14479-10-94 | FUNNEL | 1 | |
| 12 | 6G8-14478-00-00 | LOUVER | 1 | |
| 13 | 6G8-14198-A0-00 | .GASKET | 1 | |
| 14 | 97880-05016-00 | SCREW, PAN HEAD | 2 | |
| 15 | 92990-05600-00 | WASHER, PLATE | 2 | |
| 16 | 6G8-15358-00-00 | SEPARATOR, OIL | 1 | |
| 17 | 90159-06M05-00 | SCREW, WITH WASHER | 2 | |
| 18 | 6G8-15368-00-94 | SEPERATOR, OIL | 1 | |
| 19 | 6G8-15369-00-00 | GASKET, OIL SEAL HOUSING | 1 | |
| 20 | 97780-40512-00 | SCREW, TAPPING | 4 | |
| 21 | 6G8-15371-00-94 | BREATHER | 1 | |
| 22 | 6G8-15346-00-00 | BREATHER 1 | 1 | |
| 23 | 6G8-15347-00-00 | BREATHER 2 | 1 | |
| 24 | 97780-40512-00 | SCREW, TAPPING | 1 | |
| 25 | 92990-04200-00 | WASHER | 2 | |
| 26 | 6G8-15374-00-00 | GASKET, BREATHER | 1 | |
| 27 | 97780-40512-00 | SCREW, TAPPING | 4 | |
| 28 | 98507-04010-00 | SCREW, PAN HEAD | 1 | |
| 29 | 6G8-15393-10-00 | PIPE, BREATHER 2 | 1 | |
| 30 | 90445-11M52-00 | HOSE (L150) | 1 | |
| 31 | 90445-09065-00 | HOSE (L90) | 1 | |
| 32 | 6G8-15376-00-00 | HOLDER, GUIDE | 1 | |
| 33 | 6G8-15373-00-00 | PIPE, BREATHER | 1 | |
| 34 | 6G8-13448-00-00 | CAP | 1 | |
| 35 | 90465-08M75-00 | CLAMP | 1 | |

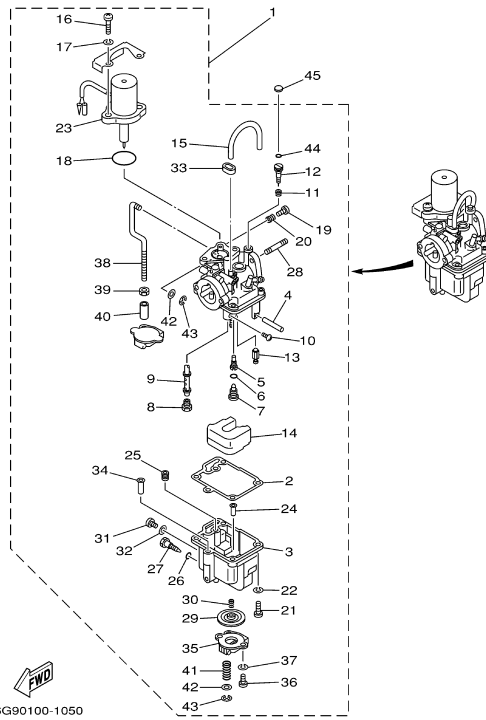
Part Notes

T9.9ELRZ 2001 / INTAKE

| PART NUMBER | NOTE TEXT |
|--|--|
| 92990-06600-00  | OEM: This part number is among the Top 100 Most Popular Marine Maintenance Parts as of March 2014. |

©2014 Yamaha Motor Corporation, U.S.A. All rights reserved.

T9.9ELRZ 2001 / CARBURETOR

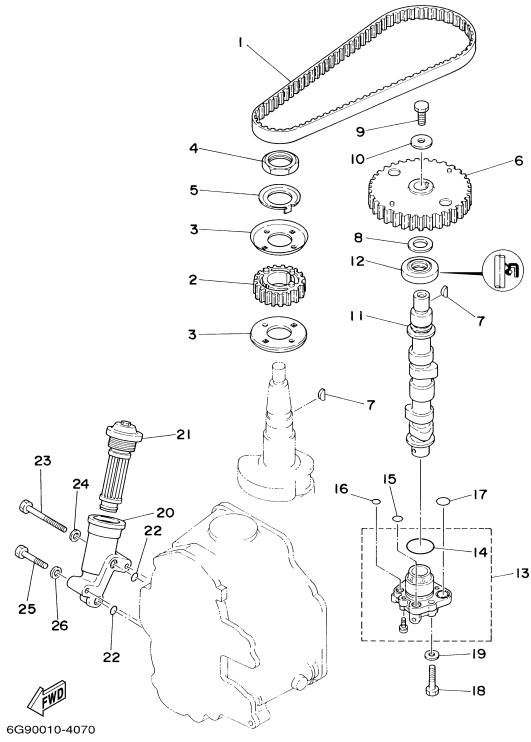


Part List

T9.9ELRZ 2001 / CARBURETOR

| REF - NO | PART NUMBER | PART NAME | QUANTITY | REMARKS |
|----------------|-----------------|--------------------------|----------|---------|
| 1 | 6G8-14301-21-00 | CARBURETOR ASSY 1 | 1 | |
| 2 | 6G8-14384-01-00 | .GASKET, FLOAT CHAMBER | 1 | |
| 3 | 6G8-14381-02-00 | .BODY, FLOAT CHAMBER | 1 | |
| 4 | 647-14386-00-00 | .PIN, FLOAT | 1 | |
| 5 | 6G8-14342-24-00 | .JET, PILOT (#48) | 1 | |
| 6 | 654-14198-00-00 | .GASKET | 1 | |
| 7 | 6G8-14345-00-00 | .PLUG, MAIN NOZZLE | 1 | |
| 8 | 648-14343-43-00 | .JET, MAIN (#86) | 1 | |
| 9 | 6G8-14341-20-00 | .NOZZLE, MAIN | 1 | |
| 10 | 6G8-14216-00-00 | .SCREW | 1 | |
| 11 | 647-14334-00-00 | .SPRING | 1 | |
| 12 | 6G8-14323-20-00 | .SCREW, AIR ADJUSTING | 1 | |
| 13 | 6G8-14392-00-00 | .VALVE, NEEDLE | 1 | |
| 14 | 6G8-14385-00-00 | .FLOAT | 1 | |
| 15 | 6G8-14197-01-00 | .PIPE | 1 | |
| 16 | 98580-06018-00 | .SCREW, PAN HEAD | 2 | |
| 17 | 92990-06100-00 | .WASHER, SPRING | 2 | |
| 18 | 1HV-14147-00-00 | .O-RING | 1 | |
| 19 | 664-14321-01-00 | .SCREW, THROTTLE | 1 | |
| 20 | 646-14212-00-00 | .SPRING, PILOT ADJUSTING | 1 | |
| 21 | 98580-04016-00 | .SCREW, PAN HEAD | 4 | |
| 22 | 92990-04100-00 | .WASHER, SPRING | 4 | |
| 23 | 6G8-1410A-01-00 | .STARTER SET | 1 | |
| 24 | 6G8-14827-00-00 | .FILTER | 1 | |
| 25 | 6A4-14344-30-00 | .JET, STARTER (#60) | 1 | |
| 26 | 5Y1-14397-00-00 | .O-RING | 1 | |
| 27 | 6G8-14383-00-00 | .SCREW, DRAIN | 1 | |
| 28 | 90116-06M26-00 | .BOLT, STUD | 2 | |
| 29 | 6G8-14368-02-00 | .DIAPHRAGM ASSEMBLY | 1 | |
| 30 | 6G8-14275-01-00 | .SPRING | 1 | |
| 31 | 97890-05006-00 | .SCREW, PAN HEAD | 1 | |
| 32 | 646-14198-01-00 | .GASKET | 1 | |
| 33 | 6G8-14349-00-00 | .PIPE | 1 | |
| 34 | 6G8-14217-00-00 | .VALVE, CHOKE | 1 | |
| 35 | 6G8-14293-03-00 | .COVER 1 | 1 | |
| 36 | 98580-04010-00 | .SCREW, PAN HEAD | 2 | |
| 37 | 92990-04100-00 | .WASHER, SPRING | 2 | |
| 38 | 6G8-14379-00-00 | .ROD, STARTER | 1 | |
| 39 | 98813-03100-00 | .NUT | 1 | |
| 40 | 6G8-14229-00-00 | .SHAFT, CHOKE | 1 | |
| 41 | 6G8-14286-01-00 | .SPRING | 1 | |
| 42 | 6G8-14357-00-00 | .WASHER, PLAIN | 2 | |
| 43 | 389-14137-00-00 | .CLIP | 2 | |
| 44 | 5H0-14397-00-00 | .O-RING | 1 | |
| 45 | 6G8-1432A-10-00 | PLUG | 1 | |

T9.9ELRZ 2001 / OIL PUMP



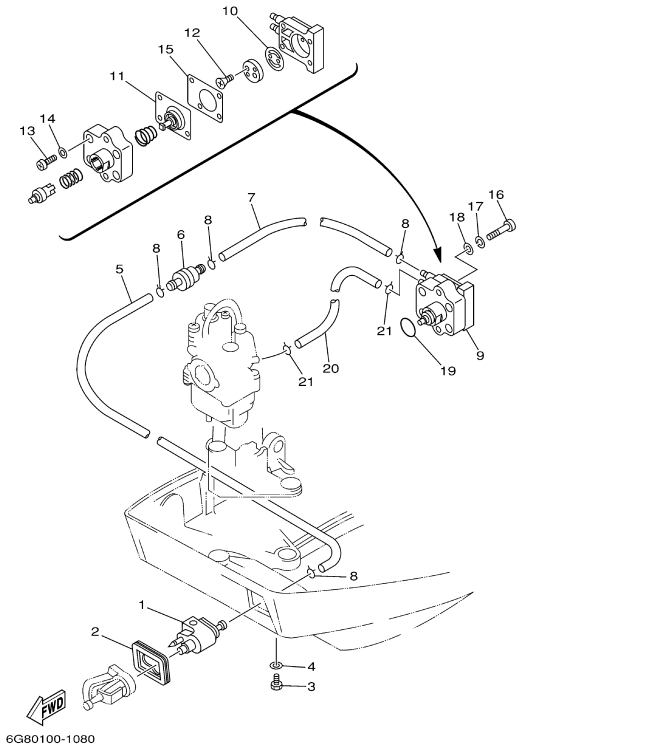
©2014 Yamaha Motor Corporation, U.S.A. All rights reserved.

Part List

T9.9ELRZ 2001 / OIL PUMP

| REF - NO | PART NUMBER | PART NAME | QUANTITY | REMARKS |
|----------------|-----------------|--------------------------|----------|---------|
| 1 | 6G8-46241-00-00 | V-BELT | 1 | |
| 2 | 6G8-11536-00-94 | GEAR, DRIVE | 1 | |
| 3 | 6G8-11557-00-00 | WASHER 1 | 2 | |
| 4 | 90170-24M09-00 | NUT | 1 | |
| 5 | 6G8-11587-01-00 | WASHER, LOCK | 1 | |
| 6 | 6G8-11537-00-94 | GEAR, DRIVEN | 1 | |
| 7 | 90280-03M01-00 | .KEY, WOODRUFF | 2 | |
| 8 | 90201-13201-00 | WASHER, PLATE | 1 | |
| 9 | 97013-06016-00 | BOLT | 1 | |
| 10 | 90201-06M94-00 | WASHER, PLATE | 1 | |
| 11 | 6G8-12171-00-00 | CAMSHAFT 1 | 1 | |
| 12 | 93102-18M21-00 | .OIL SEAL | 1 | |
| 13 | 6G8-13300-02-00 | OIL PUMP ASSY | 1 | |
| 14 | 93210-27ME3-00 | .O-RING | 1 | |
| 15 | 93210-10M61-00 | .O-RING | 1 | |
| 16 | 93210-09M01-00 | .O-RING | 1 | |
| 17 | 93210-13M63-00 | .O-RING | 2 | |
| 18 | 97095-06025-00 | BOLT | 3 | |
| 19 | 92995-06600-00 | WASHER | 3 | |
| 20 | 6G8-13442-00-1S | HOUSING, OIL FILTER | 1 | |
| 21 | 6G8-13440-00-00 | ELEMENT ASSY,OIL CLEANER | 1 | |
| 22 | 93210-09M01-00 | .O-RING | 2 | |
| 23 | 97013-06050-00 | BOLT | 1 | |
| 24 | 92903-06600-00 | WASHER, PLATE | 1 | |
| 25 | 97013-06030-00 | BOLT | 1 | |
| 26 | 92903-06600-00 | WASHER, PLATE | 1 | |

T9.9ELRZ 2001 / FUEL



©2014 Yamaha Motor Corporation, U.S.A. All rights reserved.




Part List

T9.9ELRZ 2001 / FUEL

| REF - NO | PART NUMBER | PART NAME | QUANTITY | REMARKS |
|----------------|-----------------|-------------------------|----------|---------|
| 1 | 6G1-24304-02-00 | FUEL PIPE JOINT COMP. 1 | 1 | |
| 2 | 6G8-24329-00-00 | SEAL | 1 | |
| 3 | 97095-06020-00 | BOLT | 1 | |
| 4 | 92995-06600-00 | WASHER | 1 | |
| 5 | 6G8-24311-00-00 | PIPE, FUEL 1 | 1 | |
| 6 | 646-24251-02-00 | .STRAINER 1 | 1 | |
| 7 | 90445-09065-00 | HOSE (L90) | 1 | |
| 8 | 90467-08004-00 | CLIP | 4 | |
| 9 | 6G8-24410-03-00 | FUEL PUMP ASSY | 1 | |
| 10 | 6G8-24421-00-00 | .VALVE, CHECK | 1 | |
| 11 | 6G8-24411-02-00 | .DIAPHRAGM | 1 | |
| 12 | 98780-03008-00 | .SCREW, FLAT HEAD | 2 | |
| 13 | 98503-04014-00 | .SCREW, PAN HEAD | 4 | |
| 14 | 92903-04600-00 | .WASHER | 4 | |
| 15 | 6G8-24471-00-00 | .DIAPHRAGM | 1 | |
| 16 | 97880-06025-00 | SCREW, PAN HEAD | 2 | |
| 17 | 92990-06100-00 | ..WASHER, SPRING | 2 | |
| 18 | 92990-06600-00 | WASHER, PLATE | 2 | |
| 19 | 93210-20M65-00 | .O-RING | 1 | |
| 20 | 90445-09105-00 | HOSE (L300) | 1 | |
| 21 | 90467-08004-00 | CLIP | 2 | |

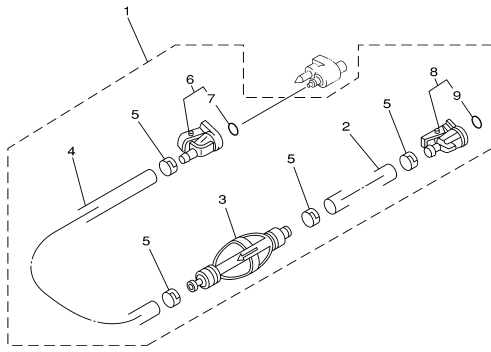
Part Notes

T9.9ELRZ 2001 / FUEL

| PART NUMBER | NOTE TEXT |
|-----------------|---|
| 646-24251-02-00 |  OEM: This part number is among the Top 100 Most Popular Marine Maintenance Parts as of March 2014. |
| 6G8-24410-03-00 |  OEM: The new pump has two additional barbs installed in the base so that cooling water from the overboard water pump indicator can be routed through the fuel pump to prevent vapor lock condit |
| 92990-06600-00 |  OEM: This part number is among the Top 100 Most Popular Marine Maintenance Parts as of March 2014. |

©2014 Yamaha Motor Corporation, U.S.A. All rights reserved.

T9.9ELRZ 2001 / FUEL 2

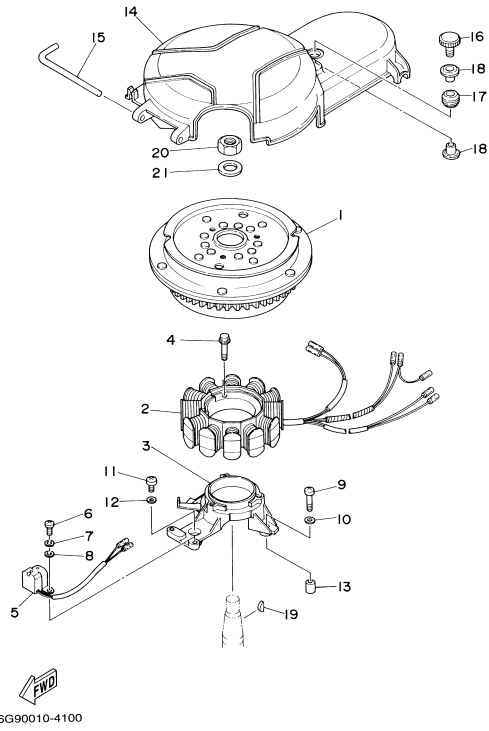


Part List

T9.9ELRZ 2001 / FUEL 2

| REF - NO | PART NUMBER | PART NAME | QUANTITY | REMARKS |
|----------------|-----------------|-------------------------|----------|---------|
| 1 | 6Y1-24306-53-00 | FUEL PIPE COMP. 1 | 1 | AP |
| 2 | 90445-11M06-00 | .HOSE (L2050) | 1 | |
| 3 | 6Y1-24360-52-00 | .PRIMER PUMP ASSY | 1 | |
| 4 | 90445-11M05-00 | .HOSE (L850) | 1 | |
| 5 | 650-24351-51-00 | .BAND 1 | 4 | |
| 6 | 6G1-24305-03-00 | .FUEL PIPE JOINT COMP 2 | 1 | |
| 7 | 93210-08287-00 | ..O-RING | 1 | |
| 8 | 6Y1-24305-04-00 | .FUEL PIPE JOINT COMP 2 | 1 | |
| 9 | 93210-08287-00 | ..O-RING | 1 | |

T9.9ELRZ 2001 / GENERATOR



©2014 Yamaha Motor Corporation, U.S.A. All rights reserved.



Part List

T9.9ELRZ 2001 / GENERATOR

| REF - NO | PART NUMBER | PART NAME | QUANTITY | REMARKS |
|----------------|-----------------|-----------------|----------|---------|
| 1 | 6G8-85550-01-00 | ROTOR ASSY | 1 | |
| 2 | 6G8-85510-01-00 | STATOR ASSY | 1 | |
| 3 | 6G8-85561-00-94 | BASE, MAGNETO | 1 | |
| 4 | 95023-06025-00 | BOLT | 3 | |
| 5 | 6G8-85580-02-00 | COIL, PULSER | 1 | |
| 6 | 97880-05012-00 | SCREW, PAN HEAD | 2 | |
| 7 | 92990-05100-00 | .WASHER, SPRING | 2 | |
| 8 | 92990-05600-00 | WASHER, PLATE | 2 | |
| 9 | 97880-06025-00 | SCREW, PAN HEAD | 2 | |
| 10 | 92990-06600-00 | WASHER, PLATE | 2 | |
| 11 | 97880-06020-00 | SCREW, PAN HEAD | 1 | |
| 12 | 92990-06600-00 | WASHER, PLATE | 1 | |
| 13 | 99530-08012-00 | PIN, DOWEL | 2 | |
| 14 | 6G8-81337-01-00 | COVER, FLYWHEEL | 1 | |
| 15 | 6G8-42752-00-00 | SHAFT | 1 | |
| 16 | 6G8-81323-00-00 | SCREW 1 | 1 | |
| 17 | 90480-15M31-00 | GROMMET | 1 | |
| 18 | 90387-06M71-00 | COLLAR | 2 | |
| 19 | 90280-05013-00 | KEY, WOODRUFF | 1 | |
| 20 | 90170-12066-00 | NUT | 1 | |
| 21 | 90201-12472-00 | WASHER, PLATE | 1 | |

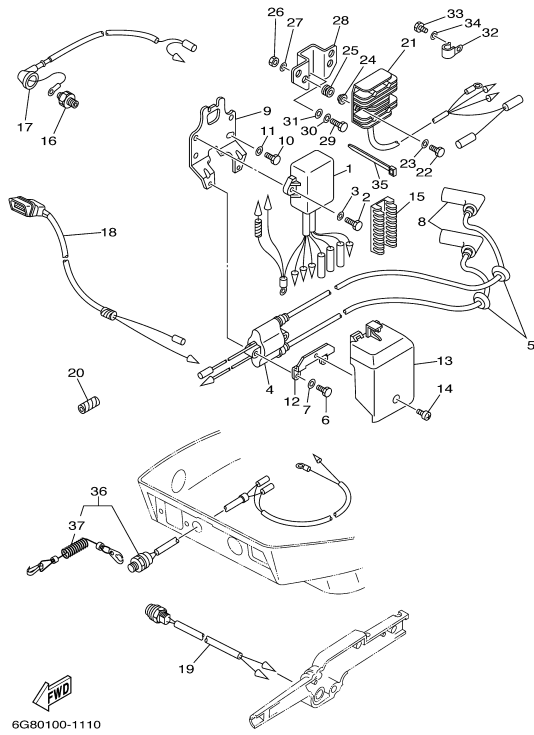
Part Notes

T9.9ELRZ 2001 / GENERATOR

| PART NUMBER | NOTE TEXT |
|--|--|
| 92990-06600-00  | OEM: This part number is among the Top 100 Most Popular Marine Maintenance Parts as of March 2014. |
| 92990-06600-00  | OEM: This part number is among the Top 100 Most Popular Marine Maintenance Parts as of March 2014. |

©2014 Yamaha Motor Corporation, U.S.A. All rights reserved.

T9.9ELRZ 2001 / ELECTRICAL 1



©2014 Yamaha Motor Corporation, U.S.A. All rights reserved.



Part List

T9.9ELRZ 2001 / ELECTRICAL 1

| REF - NO | PART NUMBER | PART NAME | QUANTITY | REMARKS |
|----------------|-----------------|-------------------------------|----------|---------|
| 1 | 6G8-85540-23-00 | C.D.I. UNIT ASSY | 1 | |
| 2 | 97095-06020-00 | BOLT | 2 | |
| 3 | 92995-06600-00 | WASHER | 2 | |
| 4 | 6G8-85570-21-00 | IGNITION COIL ASSY | 1 | |
| 5 | 90480-25161-00 | GROMMET | 2 | |
| 6 | 97095-06025-00 | BOLT | 2 | |
| 7 | 92995-06600-00 | WASHER | 2 | |
| 8 | 6G8-82370-30-00 | PLUG CAP ASSY | 2 | |
| 9 | 6G8-85542-00-00 | BRACKET | 1 | |
| 10 | 97095-06020-00 | BOLT | 2 | |
| 11 | 92995-06600-00 | WASHER | 2 | |
| 12 | 6G8-85525-00-00 | PLATE | 1 | |
| 13 | 6G8-81916-00-00 | COVER, TERMINAL | 1 | |
| 14 | 98980-06008-00 | SCREW, BIND | 1 | |
| 15 | 6G8-82522-00-00 | CLAMP, COUPLER | 1 | |
| 16 | 6G8-82504-00-00 | OIL PRESSURE SWITCH ASSY | 1 | |
| 17 | 6G8-82127-00-00 | WIRE, LEAD 2 | 1 | |
| 18 | 6G8-83582-01-00 | PILOT LIGHT ASSY | 1 | EH (EH) |
| 19 | 6G8-82550-10-00 | ENGINE STOP SWITCH ASSY | 1 | EH (EH) |
| 20 | 90446-10M02-00 | HOSE | 1 | |
| 21 | 6G8-81960-00-00 | RECTIFIER & REGULATOR ASSY | 1 | |
| 22 | 97095-06025-00 | BOLT | 2 | |
| 23 | 92995-06600-00 | WASHER | 2 | |
| 24 | 90387-06M70-00 | COLLAR | 2 | |
| 25 | 90480-13M24-00 | GROMMET | 2 | |
| 26 | 95380-06700-00 | NUT | 2 | |
| 27 | 92990-06600-00 | WASHER, PLATE | 2 | |
| 28 | 6G8-81948-02-00 | BRACKET | 1 | |
| 29 | 97095-06020-00 | BOLT | 1 | |
| 30 | 92995-06100-00 | WASHER, SPRING | 1 | |
| 31 | 92995-06600-00 | WASHER | 1 | |
| 32 | 90465-08M75-00 | CLAMP | 1 | |
| 33 | 97013-06012-00 | BOLT | 1 | |
| 34 | 92903-06600-00 | WASHER, PLATE | 1 | |
| 35 | 90465-13M11-00 | CLAMP | 1 | |
| 36 | 6G8-82575-00-00 | ENGINE STOP SWITCH ASSY | 1 | EH (EH) |
| 37 | 682-82556-00-00 | .LANYARD, STOP SWITCH | 1 | (EH) |

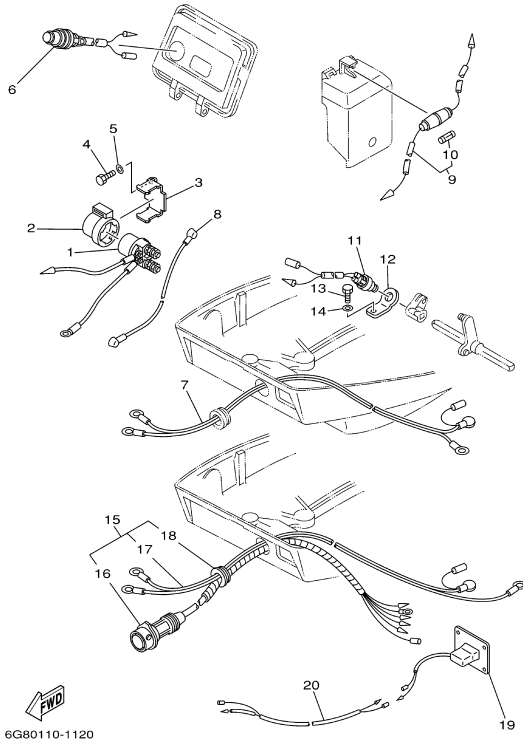
Part Notes

T9.9ELRZ 2001 / ELECTRICAL 1

| PART NUMBER | NOTE TEXT |
|---|--|
| 92990-06600-00  | OEM: This part number is among the Top 100 Most Popular Marine Maintenance Parts as of March 2014. |
| 682-82556-00-00  | OEM: This part number is among the Top 100 Most Popular Marine Maintenance Parts as of March 2014. |

©2014 Yamaha Motor Corporation, U.S.A. All rights reserved.

T9.9ELRZ 2001 / ELECTRICAL 2

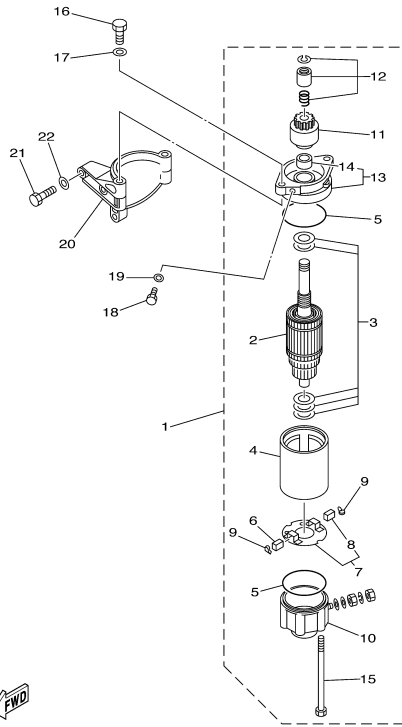


Part List

T9.9ELRZ 2001 / ELECTRICAL 2

| REF - NO | PART NUMBER | PART NAME | QUANTITY | REMARKS |
|----------------|-----------------|----------------------|----------|---------|
| 1 | 6J0-81941-10-00 | STARTER RELY ASSY | 1 | |
| 2 | 6G1-81952-00-00 | HOLDER, RELAY | 1 | |
| 3 | 6G8-81953-00-00 | STAY, RELAY | 1 | |
| 4 | 97095-06012-00 | BOLT | 1 | |
| 5 | 92995-06600-00 | WASHER | 1 | |
| 6 | 6G8-81870-00-00 | STARTING SWITCH ASSY | 1 | EH (EH) |
| 7 | 6G8-82105-01-00 | BATTERY CABLE | 1 | EH (EH) |
| 8 | 6G8-82117-00-00 | WIRE, LEAD | 1 | |
| 9 | 6G8-82150-00-00 | FUSE HOLDER ASSY | 1 | |
| 10 | 663-82151-00-00 | .FUSE (12V-20A) | 1 | |
| 11 | 6H3-82540-00-00 | NEUTRAL SWITCH ASSY | 1 | EH (EH) |
| 12 | 6G8-82554-00-00 | STAY, NEUTRAL SWITCH | 1 | EH (EH) |
| 13 | 97095-06012-00 | BOLT | 1 | EH (EH) |
| 14 | 92995-06600-00 | WASHER | 1 | EH (EH) |
| 15 | 6G8-82580-00-00 | WIRE HARNESS ASSY 2 | 1 | ER (ER) |
| 16 | 6G8-82590-00-00 | .WIRE HARNESS ASSY | 1 | (ER) |
| 17 | 6G8-82105-01-00 | .BATTERY CABLE | 1 | (ER) |
| 18 | 6G8-42724-50-00 | .GROMMET | 1 | (ER) |
| 19 | 6G8-83530-00-00 | PILOT LIGHT ASSY | 1 | ER (ER) |
| 20 | 6G8-82541-00-00 | WIRE, LEAD | 1 | ER (ER) |

T9.9ELRZ 2001 / STARTING MOTOR



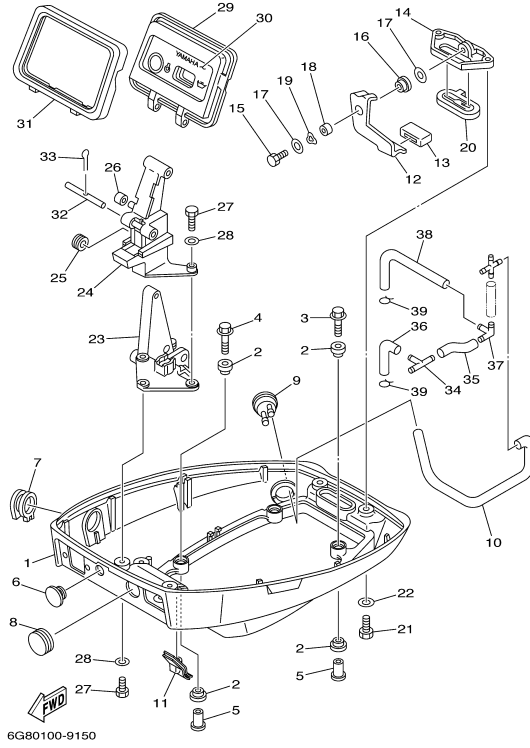

6G80100-8140

Part List

T9.9ELRZ 2001 / STARTING MOTOR

| REF - NO | PART NUMBER | PART NAME | QUANTITY | REMARKS |
|----------------|-----------------|-------------------------------|----------|---------|
| 1 | 6G8-81800-11-00 | STARTING MOTOR ASSY | 1 | |
| 2 | 689-81850-12-00 | .ARMATURE ASSY | 1 | |
| 3 | 689-81809-11-00 | .WASHER KIT | 1 | |
| 4 | 689-81810-11-00 | .STATOR ASSY | 1 | |
| 5 | 689-81847-11-00 | .O-RING | 2 | |
| 6 | 689-81811-11-00 | .BRUSH 1 | 1 | |
| 7 | 689-81840-11-00 | .BRUSH HOLDER ASSY | 1 | |
| 8 | 689-81812-11-00 | ..BRUSH 2 | 1 | |
| 9 | 689-81813-10-00 | .SPRING, BRUSH | 2 | |
| 10 | 689-81820-11-00 | .REAR BRACKET ASSY | 1 | |
| 11 | 689-81807-12-00 | .GEAR ASSY, STARTING MOTOR | 1 | |
| 12 | 689-81857-11-00 | .PINION STOPPER SET | 1 | |
| 13 | 6F5-81830-11-00 | .FRONT BRACKET ASSY | 1 | |
| 14 | 689-81831-00-00 | ..METAL, FRONT | 1 | |
| 15 | 689-81826-10-00 | .BOLT | 2 | |
| 16 | 97075-08025-00 | BOLT | 2 | |
| 17 | 92995-08600-00 | WASHER | 2 | |
| 18 | 97095-08016-00 | BOLT | 1 | |
| 19 | 92995-08600-00 | WASHER | 1 | |
| 20 | 6G8-81822-40-94 | BRACKET, STARTING MOTOR | 1 | |
| 21 | 97013-08030-00 | BOLT | 3 | |
| 22 | 92903-08600-00 | WASHER, PLATE | 3 | |

T9.9ELRZ 2001 / BOTTOM COWLING



©2014 Yamaha Motor Corporation, U.S.A. All rights reserved.

Part List

T9.9ELRZ 2001 / BOTTOM COWLING

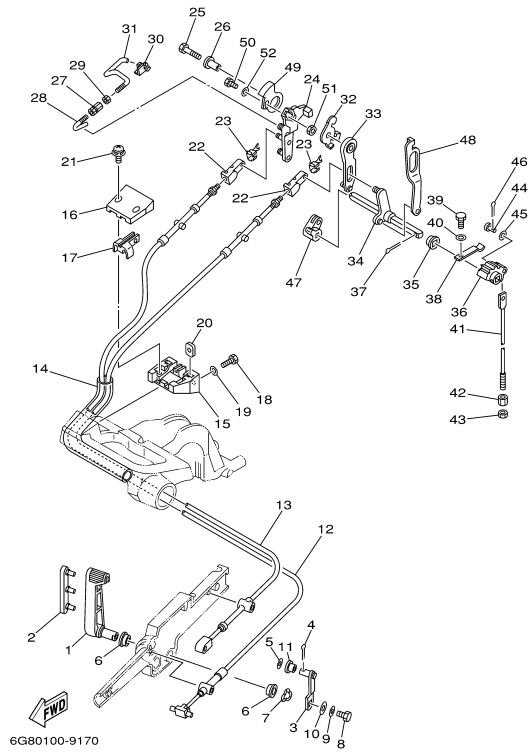
| REF - NO | PART NUMBER | PART NAME | QUANTITY | REMARKS |
|----------------|-----------------|--------------------|----------|------------|
| 1 | 6G8-42711-02-4D | COWLING, BOTTOM 1 | 1 | |
| 2 | 90480-09M35-00 | GROMMET | 8 | |
| 3 | 90119-06M56-00 | BOLT, WITH WASHER | 2 | |
| 4 | 90119-06M55-00 | BOLT, WITH WASHER | 2 | |
| 5 | 90387-06M15-00 | COLLAR | 4 | |
| 6 | 90480-17165-00 | GROMMET | 1 | ER (ER) |
| 7 | 6G8-42724-00-00 | GROMMET | 1 | |
| 8 | 6G8-42724-40-00 | GROMMET | 1 | EH (EH) |
| 9 | 6G8-44391-00-00 | NIPPLE, HOSE | 1 | |
| 10 | 90445-09163-00 | HOSE (L235) | 1 | |
| 11 | 6G8-42727-00-00 | GROMMET | 1 | |
| 12 | 6G8-42815-00-00 | LEVER, CLAMP | 1 | |
| 13 | 6G8-42831-00-00 | BUSHING | 1 | |
| 14 | 6G8-42811-00-94 | STAY | 1 | |
| 15 | 97013-06016-00 | BOLT | 1 | |
| 16 | 90386-08M49-00 | BUSH | 1 | |
| 17 | 90201-06M31-00 | .WASHER, PLATE | 2 | |
| 18 | 90387-06M72-00 | COLLAR | 1 | |
| 19 | 90206-08M13-00 | WASHER, WAVE | 1 | |
| 20 | 6G8-42748-00-00 | GROMMET | 1 | |
| 21 | 97095-06016-00 | BOLT | 2 | |
| 22 | 92995-06600-00 | WASHER | 2 | |
| 23 | 6G8-42738-00-94 | PLATE, FITTING | 1 | |
| 24 | 6G8-42719-00-94 | PANEL, FRONT LOWER | 1 | |
| 25 | 90480-19031-00 | GROMMET | 1 | |
| 26 | 90445-05ME6-00 | HOSE (L8) | 1 | |
| 27 | 97095-06016-00 | BOLT | 4 | |
| 28 | 92995-06600-00 | WASHER | 4 | |
| 29 | 6G8-42614-12-00 | PANEL, FRONT UPPER | 1 | |
| 30 | 6G8-42677-20-00 | GRAPHIC, FRONT | 1 | UR ER (ER) |
| 30 | 6G8-42677-10-00 | GRAPHIC, FRONT | 1 | UR EH (EH) |
| 31 | 6G8-42629-02-00 | SEAL | 1 | |
| 32 | 6G8-42755-00-00 | HINGE, COWLING | 1 | |
| 33 | 91490-16010-00 | PIN. COTTER | 1 | |
| 34 | 6G8-24379-00-00 | PIPE, JOINT 4 | 1 | |
| 35 | 90445-10M78-00 | HOSE (L50) | 1 | |
| 36 | 6G8-12476-00-00 | PIPE 6 | 1 | |
| 37 | 6G8-24378-01-00 | PIPE, JOINT 3 | 1 | |
| 38 | 6G8-12485-00-00 | PIPE 5 | 1 | |
| 39 | 90467-10M04-00 | CLIP | 2 | |

Part List

T9.9ELRZ 2001 / STEERING FOR EH

| REF - NO | PART NUMBER | PART NAME | QUANTITY | REMARKS |
|----------------|-----------------|------------------------------------|----------|---------|
| 1 | 6G8-42111-01-4D | HANDLE, STEERING | 1 | (EH) |
| 2 | 6G8-42112-02-4D | HANDLE, STEERING | 1 | (EH) |
| 3 | 98780-05016-00 | .SCREW, FLAT HEAD | 2 | (EH) |
| 4 | 6G8-44191-00-00 | INDICATOR, SHIFT | 1 | (EH) |
| 5 | 93700-06M03-00 | NIPPLE, GREASE | 1 | (EH) |
| 6 | 663-45119-00-00 | CAP, GREASE NIPPLE | 1 | AP (EH) |
| 7 | 6G8-42147-01-00 | SPRING | 1 | (EH) |
| 8 | 97095-05012-00 | BOLT | 1 | (EH) |
| 9 | 92995-05600-00 | WASHER | 1 | (EH) |
| 10 | 6H4-42725-00-00 | GROMMET | 1 | (EH) |
| 11 | 97095-06025-00 | BOLT | 2 | (EH) |
| 12 | 92995-06600-00 | WASHER | 2 | (EH) |
| 13 | 97095-06040-00 | .BOLT | 2 | (EH) |
| 14 | 92995-06600-00 | WASHER | 2 | (EH) |
| 15 | 6G8-42126-01-94 | FRICITION, STEERING HANDLE GRIP | 1 | (EH) |
| 16 | 90501-23M42-00 | SPRING, COMPRESSION | 1 | (EH) |
| 17 | 97880-06030-00 | SCREW, PAN HEAD | 1 | (EH) |
| 18 | 90201-06049-00 | WASHER, PLATE | 1 | (EH) |
| 19 | 90202-06007-00 | WASHER, PLATE | 1 | (EH) |
| 20 | 95380-06700-00 | NUT | 1 | (EH) |
| 21 | 6G8-42119-00-00 | GRIP, STEERING HANDLE | 1 | (EH) |
| 22 | 6G8-42137-01-00 | INDICATOR, THROTTLE | 1 | (EH) |
| 23 | 90269-02M09-00 | RIVET | 1 | (EH) |
| 24 | 6G8-42177-00-00 | RUBBER, HANDLE | 1 | (EH) |
| 25 | 6G8-42113-02-4D | HANDLE, STEERING 3 | 1 | (EH) |
| 26 | 90386-33M56-00 | BUSH | 1 | (EH) |
| 27 | 90206-20M14-00 | WASHER, WAVE | 1 | (EH) |
| 28 | 90201-20M00-00 | WASHER, PLATE | 2 | (EH) |
| 29 | 90185-20M03-00 | NUT, SELF-LOCKING | 1 | (EH) |
| 30 | 90202-20M33-00 | WASHER, PLATE | 1 | (EH) |

T9.9ELRZ 2001 / CONTROL



©2014 Yamaha Motor Corporation, U.S.A. All rights reserved.


Part List

T9.9ELRZ 2001 / CONTROL

| REF - NO | PART NUMBER | PART NAME | QUANTITY | REMARKS |
|----------------|-----------------|--------------------|----------|---------|
| 1 | 6G8-44121-00-98 | LEVER, SHIFT ROD | 1 | EH (EH) |
| 2 | 6G8-42129-00-00 | BUSHING, RUBBER | 1 | EH (EH) |
| 3 | 6G8-44123-00-00 | ARM, SHIFT ROD | 1 | EH (EH) |
| 4 | 91490-16010-00 | PIN, COTTER | 1 | EH (EH) |
| 5 | 92990-05200-00 | .WASHER, PLAIN | 1 | EH (EH) |
| 6 | 90386-12069-00 | BUSH | 2 | EH (EH) |
| 7 | 90206-12052-00 | WASHER, WAVE | 1 | EH (EH) |
| 8 | 97013-06016-00 | BOLT | 1 | EH (EH) |
| 9 | 92903-06600-00 | WASHER, PLATE | 1 | EH (EH) |
| 10 | 90201-06M94-00 | WASHER, PLATE | 1 | EH (EH) |
| 11 | 90386-05M54-00 | BUSH | 1 | EH (EH) |
| 12 | 6G8-48311-02-00 | CABLE | 1 | EH (EH) |
| 13 | 6G8-48321-01-00 | CABLE | 1 | EH (EH) |
| 14 | 90445-24M00-00 | HOSE (L165) | 1 | EH (EH) |
| 15 | 6G8-41661-00-98 | BRACKET | 1 | EH (EH) |
| 16 | 6G8-41662-00-98 | BRACKET | 1 | EH (EH) |
| 17 | 6G8-41663-00-00 | BRACKET 3 | 1 | EH (EH) |
| 18 | 97095-06016-00 | BOLT | 2 | EH (EH) |
| 19 | 92995-06600-00 | WASHER | 2 | EH (EH) |
| 20 | 6G8-41654-00-00 | NUT | 2 | EH (EH) |
| 21 | 90159-05M06-00 | SCREW, WITH WASHER | 2 | EH (EH) |
| 22 | 6G8-26363-00-00 | .END, WIRE 1 | 2 | |
| 23 | 6G8-26364-00-00 | .END, CABLE | 2 | |
| 24 | 6G8-41212-00-00 | ARM, ACCEL. | 1 | |
| 25 | 97013-06030-00 | BOLT | 1 | |
| 26 | 90387-06M58-00 | COLLAR | 1 | |
| 27 | 6G8-41238-01-00 | JOINT, LINK | 1 | |
| 28 | 6G8-41241-01-00 | ROD, LINK | 1 | |
| 29 | 95380-04600-00 | .NUT | 1 | |
| 30 | 6G8-41237-01-00 | JOINT, LINK | 1 | |
| 31 | 6G8-41242-01-00 | ROD 2 | 1 | |
| 32 | 6G8-14493-00-00 | STAY 1 | 1 | |
| 33 | 6G8-44111-00-00 | HANDLE, GEAR SHIFT | 1 | |
| 34 | 6G8-44159-00-00 | HANDLE, GEAR SHIFT | 1 | |
| 35 | 682-44132-00-00 | BUSHING | 1 | |
| 36 | 682-44121-01-00 | LEVER, SHIFT ROD | 1 | |
| 37 | 91490-25020-00 | PIN, COTTER | 1 | |
| 38 | 682-44116-01-00 | SPRING | 1 | |
| 39 | 97095-06014-00 | BOLT | 1 | |
| 40 | 92995-06600-00 | WASHER | 1 | |
| 41 | 6G8-44143-10-00 | ROD, SHIFT | 1 | |
| 42 | 90170-06015-00 | NUT | 1 | |
| 43 | 95380-06700-00 | NUT | 1 | |
| 44 | 91790-05020-00 | PIN, CLEVIS | 1 | |
| 45 | 92990-05600-00 | WASHER, PLATE | 1 | |
| 46 | 91490-16010-00 | PIN, COTTER | 1 | |
| 47 | 6G8-44125-00-00 | LEVER, SHIFT ROD | 1 | |
| 48 | 6G8-44124-11-00 | LINK, SHIFT ROD | 1 | EH (EH) |
| 49 | 6G8-41212-11-00 | ARM, ACCEL. | 1 | EH (EH) |
| 50 | 97013-06014-00 | BOLT | 1 | EH (EH) |
| 51 | 95380-06600-00 | NUT, HEXAGON | 1 | EH (EH) |
| 52 | 92990-06600-00 | WASHER, PLATE | 1 | EH (EH) |

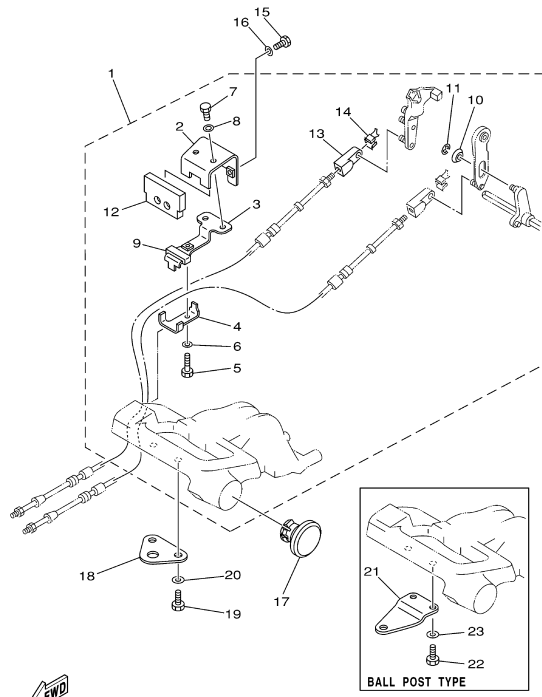
Part Notes

T9.9ELRZ 2001 / CONTROL

| PART NUMBER | NOTE TEXT |
|--|--|
| 92990-06600-00  | OEM: This part number is among the Top 100 Most Popular Marine Maintenance Parts as of March 2014. |

©2014 Yamaha Motor Corporation, U.S.A. All rights reserved.

T9.9ELRZ 2001 / REMO-CON ATTACHMENT



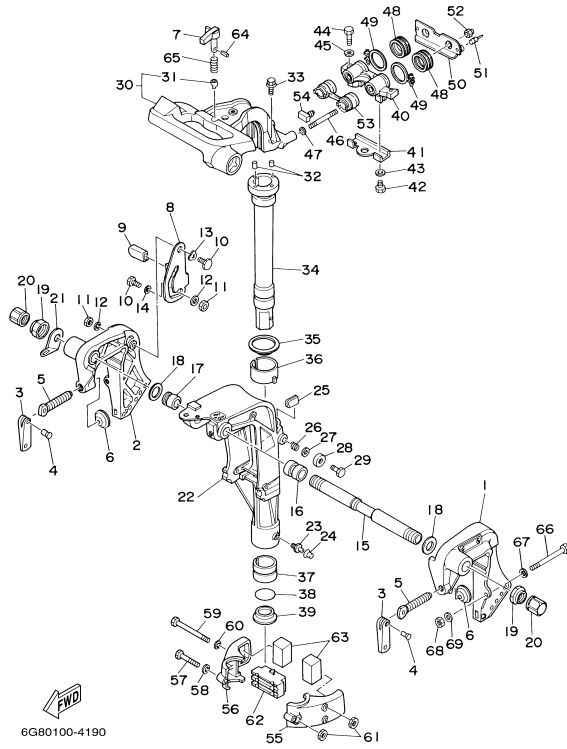
6G80100-9180

Part List

T9.9ELRZ 2001 / REMO-CON ATTACHMENT

| REF - NO | PART NUMBER | PART NAME | QUANTITY | REMARKS |
|----------------|-----------------|---------------------------------|----------|-----------------------------|
| 1 | 6G8-48501-03-00 | REMOTE CONT. ATTACHMENT ASSY | 1 | AP ER (ER) |
| 2 | 6G8-48531-51-00 | .BRACKET, REMOTE CONTROL 1 | 1 | (ER) |
| 3 | 6G8-48532-50-00 | .BRACKET, REMOTE CONTROL 2 | 1 | (ER) |
| 4 | 6G8-48538-50-00 | .CLAMP, CABLE 1 | 1 | (ER) |
| 5 | 97095-06030-00 | .BOLT | 1 | (ER) |
| 6 | 92995-06600-00 | .WASHER | 1 | (ER) |
| 7 | 97095-06012-00 | .BOLT | 2 | (ER) |
| 8 | 92995-06600-00 | .WASHER | 2 | (ER) |
| 9 | 6G8-48565-50-00 | .GROMMET | 1 | (ER) |
| 10 | 90387-06M73-00 | .COLLAR | 1 | (ER) |
| 11 | 93430-04M03-00 | .CIRCLIP | 1 | (ER) |
| 12 | 6G8-48351-51-00 | .SEAL RUBBER | 1 | (ER) |
| 13 | 6G8-26363-00-00 | .END, WIRE 1 | 1 | (ER) |
| 14 | 6G8-26364-00-00 | .END, CABLE | 1 | (ER) |
| 15 | 97095-06016-00 | BOLT | 2 | ER (ER) |
| 16 | 92995-06600-00 | WASHER | 2 | ER (ER) |
| 17 | 6G8-42551-00-00 | GROMMET | 1 | ER (ER) |
| 18 | 6G8-48511-20-00 | HOOK, STEERING | 1 | ER STEERING GUIDE TYPE (ER) |
| 19 | 97095-06016-00 | BOLT | 2 | ER (ER) |
| 20 | 92995-06600-00 | WASHER | 2 | ER (ER) |
| 21 | 6G8-48511-10-00 | HOOK, STEERING | 1 | AP ER BALL POST TYPE (ER) |
| 22 | 97095-06016-00 | BOLT | 2 | AP ER (ER) |
| 23 | 92995-06600-00 | WASHER | 2 | AP ER (ER) |

T9.9ELRZ 2001 / BRACKET 1



©2014 Yamaha Motor Corporation, U.S.A. All rights reserved.


Part List

T9.9ELRZ 2001 / BRACKET 1

| REF - NO | PART NUMBER | PART NAME | QUANTITY | REMARKS |
|----------------|-----------------|--------------------------------|----------|---------|
| 1 | 6G8-43111-04-4D | BRACKET, CLAMP 1 | 1 | |
| 2 | 6G8-43112-04-4D | BRACKET, CLAMP 2 | 1 | |
| 3 | 6E0-43118-01-00 | HANDLE, TRANSOM CLAMP | 2 | |
| 4 | 90243-04M01-00 | PIN | 2 | |
| 5 | 6E7-43116-00-00 | SCREW, TRANSOM CLAMP | 2 | |
| 6 | 648-43114-01-00 | PAD, TRANSOM CLAMP | 2 | |
| 7 | 6G8-42561-00-00 | KNOB, STEERING LOCK | 1 | EH (EH) |
| 8 | 6G8-43181-00-00 | LEVER, TILT STOP | 1 | |
| 9 | 682-43318-01-00 | COVER | 1 | |
| 10 | 90109-06M25-00 | BOLT | 2 | |
| 11 | 95680-06100-00 | NUT, U | 2 | |
| 12 | 92990-06600-00 | WASHER, PLATE | 2 | |
| 13 | 90206-10M15-00 | WASHER, WAVE | 1 | |
| 14 | 682-43339-01-00 | WASHER | 1 | |
| 15 | 6G8-43131-00-00 | BOLT, CLAMP BRACKET | 1 | |
| 16 | 90386-22M92-00 | BUSH | 1 | |
| 17 | 90386-22M93-00 | BUSH | 1 | |
| 18 | 90201-22M03-00 | WASHER, PLATE | 2 | |
| 19 | 90185-22043-00 | NUT, SELF-LOCKING | 2 | |
| 20 | 6G5-43145-00-00 | CAP, CLAMP BRACKET | 2 | |
| 21 | 6J8-43113-01-00 | PLATE, CLAMP BRACKET | 1 | |
| 22 | 6G8-43311-15-4D | BRACKET, SWIVEL 1 | 1 | |
| 23 | 93700-06M03-00 | NIPPLE, GREASE | 1 | |
| 24 | 663-45119-00-00 | CAP, GREASE NIPPLE | 1 | AP |
| 25 | 6G8-42528-00-00 | PLATE, FRICTION | 1 | |
| 26 | 90501-18M00-00 | SPRING, COMPRESSION | 1 | |
| 27 | 90201-06M31-00 | .WASHER, PLATE | 1 | |
| 28 | 6G8-43373-00-00 | SEAL, DAMPER | 1 | |
| 29 | 97095-06025-00 | BOLT | 1 | |
| 30 | 6G8-42511-02-4D | BRACKET, STEERING | 1 | |
| 31 | 6G8-42534-00-00 | .PIN, DOWEL | 1 | |
| 32 | 93605-15065-00 | PIN, DOWEL | 2 | |
| 33 | 90119-06M06-00 | BOLT, WITH WASHER | 2 | |
| 34 | 6G8-42521-10-94 | SHAFT, STEERING PIVOT | 1 | |
| 35 | 90209-45M09-00 | WASHER | 1 | |
| 36 | 6G8-42537-00-00 | BUSHING, PIVOT SHAFT | 1 | |
| 37 | 90386-37M47-00 | BUSH | 1 | |
| 38 | 93210-37M67-00 | O-RING | 1 | |
| 39 | 90386-37M48-00 | BUSH | 1 | |
| 40 | 6G8-44517-00-94 | MOUNT RUBBER | 1 | |
| 41 | 6G8-44526-00-00 | PLATE | 1 | |
| 42 | 97095-06012-00 | BOLT | 2 | |
| 43 | 92995-06600-00 | WASHER | 2 | |
| 44 | 97095-08030-00 | BOLT | 2 | |
| 45 | 92995-08600-00 | WASHER | 2 | |
| 46 | 90116-08M28-00 | BOLT, STUD | 2 | |
| 47 | 90201-08M12-00 | .WASHER, PLATE | 2 | |
| 48 | 6G8-44522-00-00 | SEAL | 2 | |
| 49 | 90460-38M06-00 | CLAMP, HOSE | 2 | |
| 50 | 6G8-44518-00-00 | BRACKET COMP. | 1 | |
| 51 | 6G8-44533-00-00 | DAMPER, UPPER MOUNT RUBBER | 2 | |
| 52 | 90185-08057-00 | NUT, SELF-LOCKING | 2 | |
| 53 | 6G8-44521-00-00 | SEAL | 1 | |
| 54 | 6G8-44532-00-00 | STOPPER, UPPER MOUNT | 1 | |
| 55 | 6G8-44551-01-4D | HOUSING, LOWER MOUNT RUBBER | 1 | |
| 56 | 6G8-44552-02-4D | HOUSING, LOWER MOUNT RUBBER | 1 | |
| 57 | 97095-06045-00 | .BOLT | 1 | |
| 58 | 92995-06600-00 | WASHER | 1 | |
| 59 | 97095-06095-00 | BOLT | 2 | |
| 60 | 92995-06600-00 | WASHER | 2 | |
| 61 | 95380-06700-00 | NUT | 3 | |
| 62 | 6G8-44557-00-00 | MOUNT DAMPER, LOWER FRONT | 1 | |
| 63 | 682-44555-00-00 | MOUNT DAMPER, LOWER SIDE | 2 | |
| 64 | 91690-30012-00 | .PIN, SPRING | 1 | EH (EH) |
| 65 | 90501-10071-00 | ..SPRING, COMPRESSION | 1 | EH (EH) |
| 66 | 90101-08M88-00 | BOLT | 2 | |
| 67 | 92995-08600-00 | WASHER | 2 | |
| 68 | 90185-08057-00 | NUT, SELF-LOCKING | 2 | |
| 69 | 90201-08MA4-00 | WASHER, PLATE | 2 | |

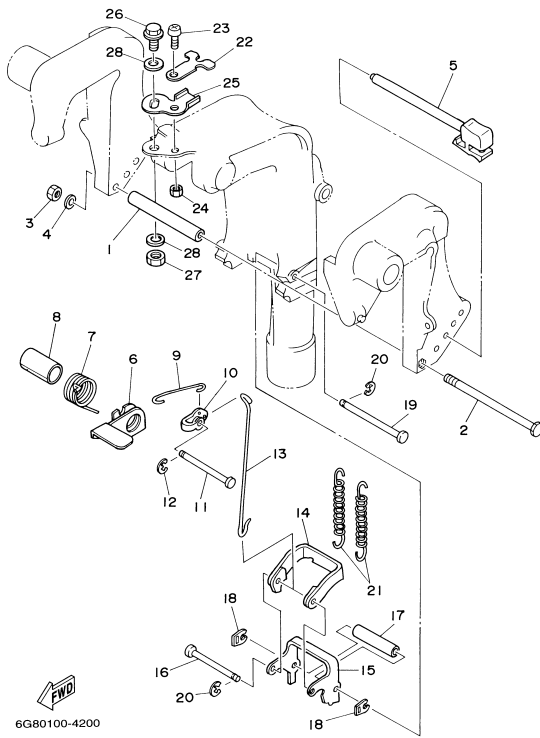
Part Notes

T9.9ELRZ 2001 / BRACKET 1

| PART NUMBER | NOTE TEXT |
|--|--|
| 92990-06600-00  | OEM: This part number is among the Top 100 Most Popular Marine Maintenance Parts as of March 2014. |

©2014 Yamaha Motor Corporation, U.S.A. All rights reserved.

T9.9ELRZ 2001 / BRACKET 2



©2014 Yamaha Motor Corporation, U.S.A. All rights reserved.


Part List

T9.9ELRZ 2001 / BRACKET 2

| REF - NO | PART NUMBER | PART NAME | QUANTITY | REMARKS |
|----------------|-----------------|---------------------|----------|-----------------------------|
| 1 | 90387-06M09-00 | COLLAR | 1 | |
| 2 | 97095-06135-00 | BOLT | 1 | |
| 3 | 95380-06700-00 | NUT | 1 | |
| 4 | 92990-06600-00 | WASHER, PLATE | 1 | |
| 5 | 6G8-43160-01-00 | TILT ROD ASSY | 1 | |
| 6 | 6G8-43631-03-00 | LEVER, TILT | 1 | |
| 7 | 90508-18M33-00 | SPRING, TORSION | 1 | |
| 8 | 90386-20M94-00 | BUSH | 1 | |
| 9 | 6G8-43616-00-00 | ROD, TILT LOCK | 1 | |
| 10 | 682-43641-00-00 | LEVER, TILT | 1 | |
| 11 | 90249-06M20-00 | PIN | 1 | |
| 12 | 99080-05600-00 | CIRCLIP | 1 | |
| 13 | 6G8-43617-00-00 | ROD, TILT LOCK | 1 | |
| 14 | 682-43614-00-00 | PLATE, TILT LOCK | 1 | |
| 15 | 682-43615-01-00 | PLATE, TILT LOCK | 1 | |
| 16 | 682-43611-01-00 | SHAFT, TILT LOCK | 1 | |
| 17 | 90387-06M20-00 | COLLAR | 1 | |
| 18 | 682-43673-00-00 | WASHER 1 | 2 | WITHOUT SHALLOW WATER DRIVE |
| 19 | 682-43659-00-00 | SHAFT, REVERSE LOCK | 1 | |
| 20 | 99080-05600-00 | CIRCLIP | 2 | |
| 21 | 90506-29M16-00 | SPRING, TENSION | 2 | |
| 22 | 6G8-43319-03-94 | PLATE | 1 | EH (EH) |
| 23 | 90157-06M18-00 | SCREW, PAN HEAD | 1 | EH (EH) |
| 24 | 95380-06600-00 | NUT, HEXAGON | 1 | EH (EH) |
| 25 | 6G8-42512-02-94 | PLATE, CONTROL | 1 | EH (EH) |
| 26 | 97095-10020-00 | BOLT | 1 | EH (EH) |
| 27 | 95380-10700-00 | NUT | 1 | EH (EH) |
| 28 | 90201-10M76-00 | .WASHER, PLATE | 2 | EH (EH) |

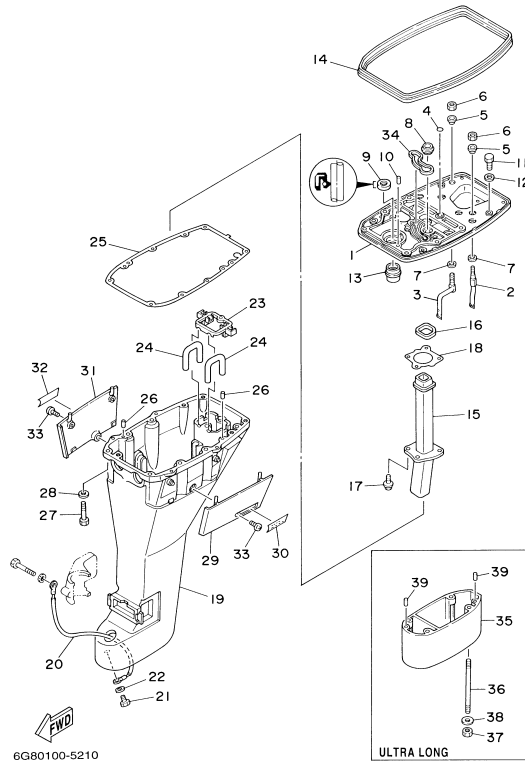
Part Notes

T9.9ELRZ 2001 / BRACKET 2

| PART NUMBER | NOTE TEXT |
|---|--|
| 92990-06600-00  | OEM: This part number is among the Top 100 Most Popular Marine Maintenance Parts as of March 2014. |

©2014 Yamaha Motor Corporation, U.S.A. All rights reserved.

T9.9ELRZ 2001 / UPPER CASING

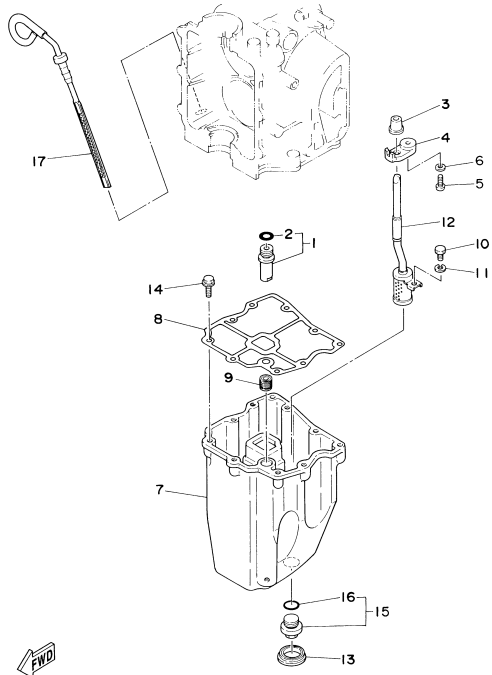


Part List

T9.9ELRZ 2001 / UPPER CASING

| REF - NO | PART NUMBER | PART NAME | QUANTITY | REMARKS |
|----------------|-----------------|-------------------------------|----------|---------|
| 1 | 6G8-41137-04-94 | GUIDE, EXHAUST | 1 | |
| 2 | 6G8-12483-00-00 | PIPE 3 | 1 | |
| 3 | 6G8-12484-00-00 | PIPE 4 | 1 | |
| 4 | 93210-08M60-00 | O-RING | 1 | |
| 5 | 90386-10M70-00 | BUSH | 2 | |
| 6 | 95380-10700-00 | NUT | 2 | |
| 7 | 90202-10M03-00 | WASHER, PLATE | 2 | |
| 8 | 6G8-44367-00-00 | DAMPER, WATER SEAL | 1 | |
| 9 | 93101-13M27-00 | O-RING | 1 | |
| 10 | 93606-12019-00 | .PIN, DOWEL | 2 | |
| 11 | 97013-06020-00 | BOLT | 2 | |
| 12 | 92903-06600-00 | WASHER, PLATE | 2 | |
| 13 | 6G8-45135-00-00 | PIPE | 1 | |
| 14 | 6G8-42716-00-00 | RUBBER, SEAL 1 | 1 | |
| 15 | 6G8-41131-01-00 | MANIFOLD, EXT. 1 | 1 | |
| 16 | 6G8-41138-00-00 | SEAL, EXT. 1 | 1 | |
| 17 | 90105-06M33-00 | BOLT, FLANGE | 4 | |
| 18 | 6G8-41133-A0-00 | GASKET, EXHAUST MANIFOLD 1 | 1 | |
| 19 | 6G8-45111-13-4D | CASING, UPPER | 1 | |
| 20 | 6G8-82149-00-00 | WIRE, LEAD 3 | 1 | |
| 21 | 97095-06012-00 | BOLT | 1 | |
| 22 | 92995-06600-00 | WASHER | 1 | |
| 23 | 6G8-45151-10-00 | COVER, UPPER CASING | 1 | |
| 24 | 6G8-45136-00-00 | PIPE | 2 | |
| 25 | 6G8-45113-A1-00 | .GASKET, UPPER CASING | 1 | |
| 26 | 93606-12019-00 | .PIN, DOWEL | 2 | |
| 27 | 97095-08040-00 | BOLT | 6 | |
| 28 | 92995-08600-00 | WASHER | 6 | |
| 29 | 6G8-42741-00-4D | APRON | 1 | |
| 30 | 6G8-42791-00-00 | MARK 1 | 1 | |
| 31 | 6G8-42771-00-4D | APRON | 1 | |
| 32 | 6G8-42792-00-00 | MARK | 1 | |
| 33 | 90157-06M04-00 | SCREW, PAN HEAD | 2 | |
| 34 | 6G8-11355-00-00 | SEAL, CYLINDER 1 | 1 | |
| 35 | 6G8-45211-20-4D | EXTENSION | 1 | X |
| 36 | 90116-08M19-00 | BOLT, STUD | 4 | X |
| 37 | 95380-08600-00 | NUT | 4 | X |
| 38 | 92990-08600-00 | ..WASHER, PLATE | 4 | X |
| 39 | 93606-12019-00 | .PIN, DOWEL | 2 | X |

T9.9ELRZ 2001 / OIL PAN




6G90010-4210

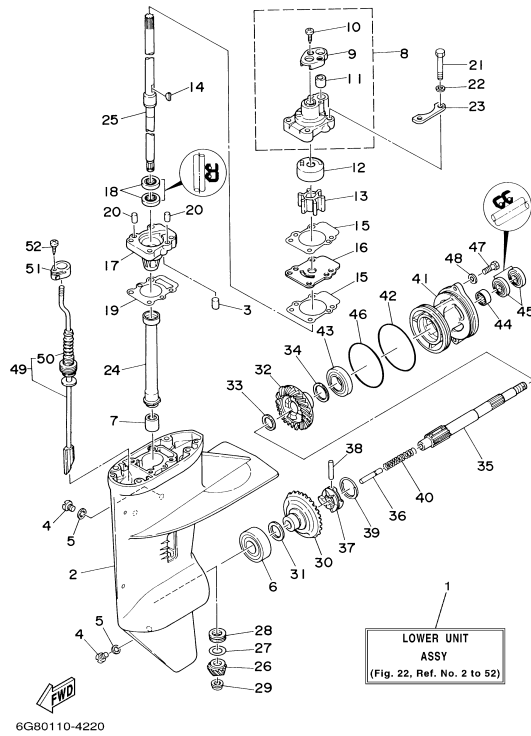
©2014 Yamaha Motor Corporation, U.S.A. All rights reserved.

Part List

T9.9ELRZ 2001 / OIL PAN

| REF - NO | PART NUMBER | PART NAME | QUANTITY | REMARKS |
|----------------|-----------------|------------------------|----------|---------|
| 1 | 6G8-11575-00-00 | RELIEF VALVE ASSY | 1 | |
| 2 | 93210-12M62-00 | .O-RING | 1 | |
| 3 | 6G8-15379-00-00 | SEAL, CRANKCASE | 1 | |
| 4 | 6G8-13487-00-00 | GUIDE, OIL HOSE | 1 | |
| 5 | 97880-05012-00 | SCREW, PAN HEAD | 1 | |
| 6 | 92990-05600-00 | WASHER, PLATE | 1 | |
| 7 | 6G8-15311-03-0D | OIL PAN | 1 | |
| 8 | 6G8-15312-A1-00 | .GASKET, OIL PAN | 1 | |
| 9 | 6G8-45127-00-00 | SEAL | 1 | |
| 10 | 97013-06010-00 | BOLT | 1 | |
| 11 | 92903-06100-00 | WASHER, SPRING | 1 | |
| 12 | 6G8-13421-00-00 | STRAINER 2 | 1 | |
| 13 | 6G8-15316-00-00 | DAMPER, ENGINE MOUNT 1 | 1 | |
| 14 | 90105-06M33-00 | BOLT, FLANGE | 9 | |
| 15 | 6G8-13471-00-00 | PLUG, DRAIN | 1 | |
| 16 | 93210-16M64-00 | .O-RING | 1 | |
| 17 | 6G8-15362-04-00 | PLUG, OIL LEVEL | 1 | |

T9.9ELRZ 2001 / LOWER CASING DRIVE 1



©2014 Yamaha Motor Corporation, U.S.A. All rights reserved.


Part List

T9.9ELRZ 2001 / LOWER CASING DRIVE 1

| REF - NO | PART NUMBER | PART NAME | QUANTITY | REMARKS |
|----------------|-----------------|-------------------------------|----------|---------|
| 1 | 6G8-45300-26-4D | LOWER UNIT ASSY | 1 | X |
| 1 | 6G8-45300-16-4D | LOWER UNIT ASSY | 1 | L |
| 2 | 6G8-45311-04-4D | CASING, LOWER | 1 | |
| 3 | 93604-08062-00 | PIN, DOWEL | 1 | |
| 4 | 90340-08M04-00 | PLUG, STRAIGHT SCREW | 3 | |
| 5 | 90430-08020-00 | .GASKET | 3 | |
| 6 | 93332-00005-00 | BEARING | 1 | |
| 7 | 93315-213V4-00 | BEARING | 1 | |
| 8 | 682-44300-01-00 | HOUSING, WATER PUMP | 1 | |
| 9 | 682-44312-00-00 | .COVER, WATER PUMP HOUSING | 1 | |
| 10 | 97780-40112-00 | .SCREW, TAPPING | 2 | |
| 11 | 682-44365-00-00 | .DAMPER, WATER SEAL | 1 | |
| 12 | 682-44322-00-00 | INSERT, CARTRIDGE | 1 | |
| 13 | 682-44323-01-00 | IMPELLER | 1 | |
| 14 | 90280-03024-00 | .KEY, WOODRUFF | 1 | |
| 15 | 682-44315-A0-00 | GASKET, WATER PUMP | 2 | |
| 16 | 682-44323-00-00 | OUTER PLATE, CARTRIDGE | 1 | |
| 17 | 6G8-45331-00-5B | HOUSING, BEARING | 1 | |
| 18 | 93101-20048-00 | .OIL SEAL | 2 | |
| 19 | 6G8-45315-A0-00 | PACKING, LOWER CASING | 1 | |
| 20 | 93606-12019-00 | .PIN, DOWEL | 2 | |
| 21 | 97095-06045-00 | .BOLT | 4 | |
| 22 | 92995-06600-00 | WASHER | 4 | |
| 23 | 682-44328-00-00 | PLATE | 2 | |
| 24 | 6G8-45536-00-00 | SLEEVE, DRIVE SHAFT | 1 | |
| 25 | 6G8-45501-20-00 | DRIVE SHAFT COMP. | 1 | X |
| 25 | 6G8-45501-10-00 | DRIVE SHAFT COMP. | 1 | L |
| 26 | 6G8-45551-00-00 | PINION (13T) | 1 | |
| 27 | 6G8-45587-00-10 | SHIM (T:0.10MM) | 1 | UR |
| 27 | 6G8-45587-00-14 | SHIM (T:0.14MM) | 1 | UR |
| 27 | 6G8-45587-00-50 | SHIM (T:0.50MM) | 1 | UR |
| 27 | 6G8-45587-00-35 | SHIM (T:0.35MM) | 1 | UR |
| 27 | 6G8-45587-00-18 | SHIM (T:0.18MM) | 1 | UR |
| 28 | 93341-313U3-00 | BEARING | 1 | |
| 29 | 90179-08M06-00 | NUT | 1 | |
| 30 | 6G8-45560-00-00 | GEAR | 1 | |
| 31 | 626-45577-00-01 | SHIM (T:0.10MM) | 1 | UR |
| 31 | 626-45577-00-05 | SHIM (T:0.50MM) | 1 | UR |
| 31 | 626-45577-00-03 | SHIM (T:0.30MM) | 1 | UR |
| 32 | 6G8-45571-00-00 | GEAR 2 (38T) | 1 | |
| 33 | 90201-17682-00 | WASHER, PLATE | 1 | |
| 34 | 626-45577-00-01 | SHIM (T:0.10MM) | 1 | UR |
| 34 | 626-45577-00-05 | SHIM (T:0.50MM) | 1 | UR |
| 34 | 626-45577-00-03 | SHIM (T:0.30MM) | 1 | UR |
| 35 | 6G8-45611-00-00 | SHAFT, PROPELLER | 1 | |
| 36 | 650-45635-00-00 | PLUNGER, SHIFT | 1 | |
| 37 | 682-45631-00-00 | CLUTCH, DOG | 1 | |
| 38 | 90250-05010-00 | PIN, STRAIGHT | 1 | |
| 39 | 648-45633-00-00 | RING, CROSS PIN | 1 | |
| 40 | 90501-14M06-00 | SPRING, COMPRESSION | 1 | |
| 41 | 6G8-45361-01-4D | CAP, LOWER CASING | 1 | |
| 42 | 93210-74316-00 | .O-RING | 1 | |
| 43 | 93306-00501-00 | BEARING | 1 | |
| 44 | 93315-317U2-00 | BEARING | 1 | |
| 45 | 93101-17054-00 | .OIL SEAL | 2 | |
| 46 | 93210-74M68-00 | .O-RING | 1 | |
| 47 | 97095-06020-00 | BOLT | 2 | |
| 48 | 92995-06600-00 | WASHER | 2 | |
| 49 | 6G8-44150-20-00 | SHIFT CAM ASSY | 1 | X |
| 49 | 6G8-44150-10-00 | SHIFT CAM ASSY | 1 | L |
| 50 | 682-44147-00-00 | .BOOT, SHIFT ROD | 1 | |
| 51 | 682-44176-00-00 | BRACKET | 1 | |
| 52 | 97780-50510-00 | SCREW, TAPPING | 1 | |

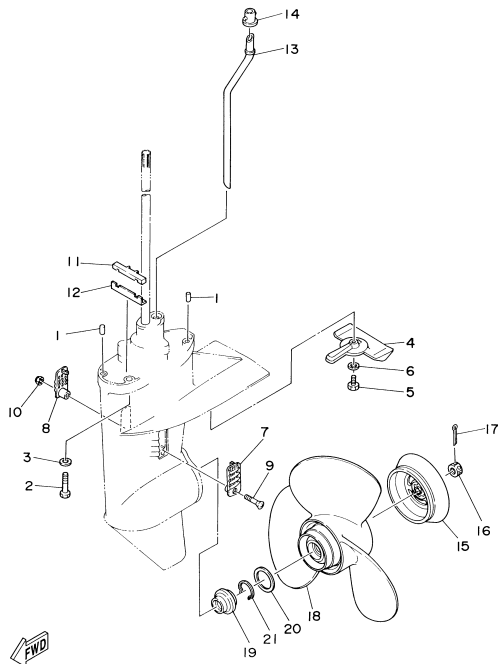
Part Notes

T9.9ELRZ 2001 / LOWER CASING DRIVE 1

| PART NUMBER | NOTE TEXT |
|--|--|
| 90430-08020-00  | OEM: This part number is among the Top 100 Most Popular Marine Maintenance Parts as of March 2014. |

©2014 Yamaha Motor Corporation, U.S.A. All rights reserved.

T9.9ELRZ 2001 / LOWER CASING DRIVE 2



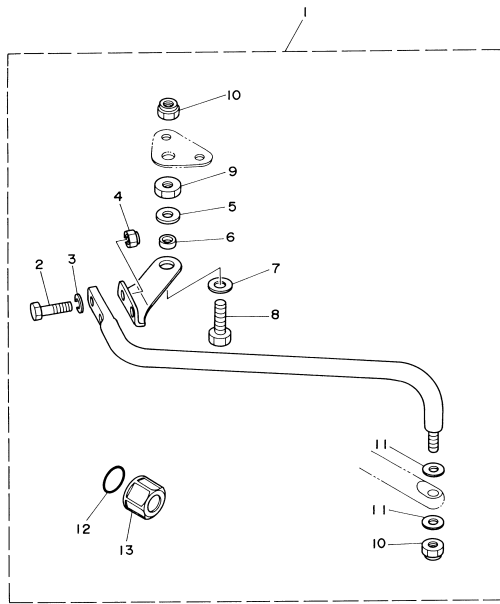
6G80100-4240

Part List

T9.9ELRZ 2001 / LOWER CASING DRIVE 2

| REF - NO | PART NUMBER | PART NAME | QUANTITY | REMARKS |
|----------------|-----------------|--------------------------------|----------|--------------|
| 1 | 93606-12019-00 | .PIN, DOWEL | 2 | |
| 2 | 97075-08035-00 | BOLT | 4 | |
| 3 | 92995-08600-00 | WASHER | 4 | |
| 4 | 6G8-45251-00-00 | ANODE | 1 | |
| 5 | 95895-06020-00 | BOLT, FLANGE | 1 | |
| 6 | 92990-06300-00 | WASHER, INTERNAL TOOTH | 1 | |
| 7 | 6G8-45214-00-00 | COVER, WATER INLET 1 | 1 | |
| 8 | 6G8-45215-00-00 | COVER, WATER INLET 2 | 1 | |
| 9 | 90152-05M04-00 | SCREW, COUNTERSUNK | 1 | |
| 10 | 90185-05002-00 | NUT, NYLON | 1 | |
| 11 | 682-45375-01-00 | DAMPER, SEAL | 1 | |
| 12 | 682-45376-01-00 | GUIDE, SEAL DAMPER | 1 | |
| 13 | 6G8-44361-20-00 | TUBE, WATER | 1 | X |
| 13 | 6G8-44361-10-00 | TUBE, WATER | 1 | L |
| 14 | 626-44365-01-00 | DAMPER, WATER SEAL | 1 | |
| 15 | 6G8-45986-00-00 | RING, DEFLECTOR | 1 | |
| 16 | 90171-10M07-00 | NUT, CASTLE | 1 | |
| 17 | 91490-30025-00 | PIN. COTTER | 1 | |
| 18 | 6G8-45941-00-00 | PROPELLER (3X11" X 11-3/4"-R) | 1 | UR |
| 18 | 6G8-45947-00-EL | PROPELLER (3X11-3/4"X9-1/4"-R) | 1 | UR ALUMINIUM |
| 18 | 6G8-45945-00-00 | PROPELLER(3X11-3/4"X12-1/4"-R) | 1 | UR |
| 18 | 6G8-45943-00-00 | PROPELLER (3X11-3/4"X9-1/4"-R) | 1 | UR |
| 19 | 6G8-45987-02-00 | SPACER 1 | 1 | |
| 20 | 90201-31MA3-00 | WASHER, PLATE | 1 | |
| 21 | 93450-10M04-00 | CIRCLIP | 1 | |

T9.9ELRZ 2001 / STEERING GUIDE



6G80100-9270

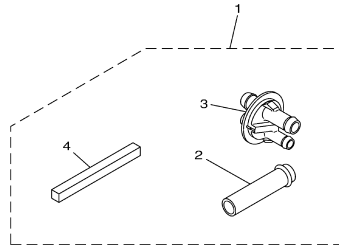
©2014 Yamaha Motor Corporation, U.S.A. All rights reserved.

Part List

T9.9ELRZ 2001 / STEERING GUIDE

| REF - NO | PART NUMBER | PART NAME | QUANTITY | REMARKS |
|----------------|-----------------|----------------------------------|----------|------------|
| 1 | 6G8-61350-00-00 | STEERING GUIDE ATTACHMENT KIT | 1 | AP ER (ER) |
| 2 | 97075-08025-00 | .BOLT | 2 | (ER) |
| 3 | 92995-08600-00 | .WASHER | 2 | (ER) |
| 4 | 90185-08057-00 | .NUT, SELF-LOCKING | 2 | (ER) |
| 5 | 90201-10M04-00 | .WASHER, PLATE | 1 | (ER) |
| 6 | 90387-10M06-00 | .COLLAR | 1 | (ER) |
| 7 | 90201-10M63-00 | .WASHER, PLATE | 1 | (ER) |
| 8 | 6E5-61355-00-00 | .BOLT | 1 | (ER) |
| 9 | 90170-09M03-00 | .NUT | 1 | (ER) |
| 10 | 90185-09M01-00 | .NUT, SELF-LOCKING | 2 | (ER) |
| 11 | 90201-10M20-00 | .WASHER, PLATE | 2 | (ER) |
| 12 | 93210-16275-00 | .O-RING | 1 | (ER) |
| 13 | 6E5-43145-01-00 | .CAP, CLAMP BRACKET | 1 | (ER) |

T9.9ELRZ 2001 / OPTIONAL PARTS 1



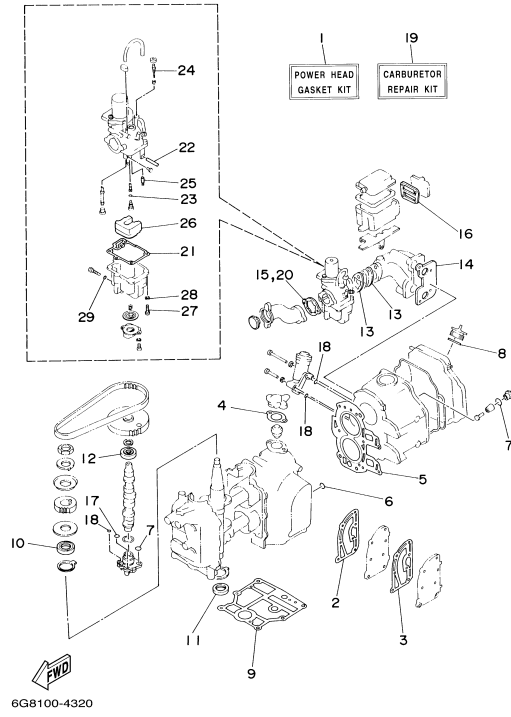
6G80100-1310

Part List

T9.9ELRZ 2001 / OPTIONAL PARTS 1

| REF - NO | PART NUMBER | PART NAME | QUANTITY | REMARKS |
|----------------|-----------------|-----------------------|----------|---------|
| 1 | 6G8-W4537-00-00 | WELL-TYPE EXHAUST KIT | 1 | AP |
| 2 | 6G8-14611-00-00 | .PIPE, EXHAUST 1 | 1 | |
| 3 | 6G8-44391-10-00 | .NIPPLE, HOSE | 1 | |
| 4 | 6G8-45375-10-00 | .DAMPER, SEAL | 1 | |

T9.9ELRZ 2001 / REPAIR KIT 1



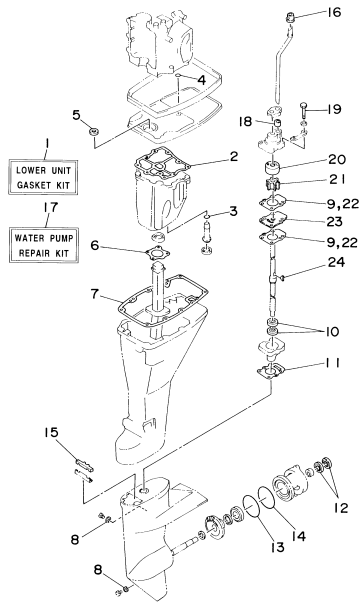
©2014 Yamaha Motor Corporation, U.S.A. All rights reserved.

Part List

T9.9ELRZ 2001 / REPAIR KIT 1

| REF - NO | PART NUMBER | PART NAME | QUANTITY | REMARKS |
|----------------|-----------------|---------------------------------|----------|---------|
| 1 | 6G8-W0001-A3-00 | POWER HEAD GASKET KIT | 1 | |
| 2 | 6G8-41112-02-00 | .GASKET, EXHAUST INNER COVER | 1 | |
| 3 | 6G8-41114-00-00 | .GASKET, EXHAUST OUTER COVER | 1 | |
| 4 | 6G8-12414-A0-00 | .GASKET, COVER | 1 | |
| 5 | 6G8-11181-A1-00 | .GASKET, CYLINDER HEAD 1 | 1 | |
| 6 | 93210-11M59-00 | .O-RING | 1 | |
| 7 | 93210-13M63-00 | .O-RING | 3 | |
| 8 | 93210-24M79-00 | .O-RING | 1 | |
| 9 | 6G8-11351-A0-00 | .GASKET, CYLINDER | 1 | |
| 10 | 93102-30M22-00 | .OIL SEAL | 1 | |
| 11 | 93101-25M24-00 | .OIL SEAL | 1 | |
| 12 | 93102-18M21-00 | .OIL SEAL | 1 | |
| 13 | 6G8-13646-A0-00 | .GASKET, MANIFOLD 2 | 2 | |
| 14 | 6G8-13645-00-00 | .GASKET, MANIFOLD 1 | 1 | |
| 15 | 6G8-14198-A0-00 | .GASKET | 1 | |
| 16 | 6G8-15374-00-00 | .GASKET, BREATHER | 1 | |
| 17 | 93210-10M61-00 | .O-RING | 1 | |
| 18 | 93210-09M01-00 | .O-RING | 3 | |
| 19 | 6G8-W0093-03-00 | CARBURETOR REPAIR KIT | 1 | |
| 20 | 6G8-14198-A0-00 | .GASKET | 1 | |
| 21 | 6G8-14384-01-00 | .GASKET, FLOAT CHAMBER | 1 | |
| 22 | 647-14386-00-00 | .PIN, FLOAT | 1 | |
| 23 | 654-14198-00-00 | .GASKET | 1 | |
| 24 | 6G8-14323-00-00 | .SCREW, AIR ADJUSTING | 1 | |
| 25 | 6G8-14392-00-00 | .VALVE, NEEDLE | 1 | |
| 26 | 6G8-14385-00-00 | .FLOAT | 1 | |
| 27 | 98580-04016-00 | .SCREW, PAN HEAD | 1 | |
| 28 | 92903-04100-00 | .WASHER | 1 | |
| 29 | 5Y1-14397-00-00 | .O-RING | 1 | |

T9.9ELRZ 2001 / REPAIR KIT 2




6GB0100-4330

©2014 Yamaha Motor Corporation, U.S.A. All rights reserved.


Part List

T9.9ELRZ 2001 / REPAIR KIT 2

| REF - NO | PART NUMBER | PART NAME | QUANTITY | REMARKS |
|----------------|-----------------|--------------------------------|----------|---------|
| 1 | 6G8-W0001-C6-00 | LOWER UNIT GASKET KIT | 1 | |
| 2 | 6G8-15312-A1-00 | .GASKET, OIL PAN | 1 | |
| 3 | 93210-16M64-00 | .O-RING | 1 | |
| 4 | 93210-08M60-00 | .O-RING | 1 | |
| 5 | 93101-13M27-00 | .O-RING | 1 | |
| 6 | 6G8-41133-A0-00 | .GASKET, EXHAUST MANIFOLD 1 | 1 | |
| 7 | 6G8-45113-A1-00 | .GASKET, UPPER CASING | 1 | |
| 8 | 90430-08020-00 | .GASKET | 3 | |
| 9 | 682-44315-A0-00 | .GASKET, WATER PUMP | 2 | |
| 10 | 93101-20048-00 | .OIL SEAL | 2 | |
| 11 | 6G8-45315-A0-00 | .PACKING, LOWER CASING | 1 | |
| 12 | 93101-17054-00 | .OIL SEAL | 2 | |
| 13 | 93210-74M68-00 | .O-RING | 1 | |
| 14 | 93210-74316-00 | .O-RING | 1 | |
| 15 | 682-45375-01-00 | .DAMPER, SEAL | 1 | |
| 16 | 626-44365-01-00 | .DAMPER, WATER SEAL | 1 | |
| 17 | 682-W0078-A2-00 | WATER PUMP REPAIR KIT | 1 | |
| 18 | 682-44365-00-00 | .DAMPER, WATER SEAL | 1 | |
| 19 | 97095-06045-00 | .BOLT | 4 | |
| 20 | 682-44322-00-00 | .INSERT, CARTRIDGE | 1 | |
| 21 | 682-44352-01-00 | .IMPELLER | 1 | |
| 22 | 682-44315-A0-00 | .GASKET, WATER PUMP | 2 | |
| 23 | 682-44323-00-00 | .OUTER PLATE, CARTRIDGE | 1 | |
| 24 | 90280-03024-00 | .KEY, WOODRUFF | 1 | |

Part Notes

T9.9ELRZ 2001 / REPAIR KIT 2

| PART NUMBER | NOTE TEXT |
|--|--|
| 90430-08020-00  | OEM: This part number is among the Top 100 Most Popular Marine Maintenance Parts as of March 2014. |

©2014 Yamaha Motor Corporation, U.S.A. All rights reserved.

T9.9ELRZ 2001 / MODELS IN THIS CATALOG

T9.9ELHZ (6G80) Engine Serial No. T9.9ELHZ: 6G8L-474408 and following

T9.9ELRZ (6G80) Engine Serial No. T9.9ELRZ: 6G8L-416517 and following

T9.9EXHZ (6G80) Engine Serial No. T9.9EXHZ: 6G8X-790075 and following

T9.9EXRZ (6G80) Engine Serial No. T9.9EXRZ: 6G8X-763983 and following

**ALL THESE MODELS USE THIS SAME PARTS CATALOG.
BE SURE TO ORDER ONLY THOSE PARTS APPLICABLE
TO THE DESIRED MODEL.**

©2014 Yamaha Motor Corporation, U.S.A. All rights reserved.

©2014 Yamaha Motor Corporation, U.S.A. All rights reserved.