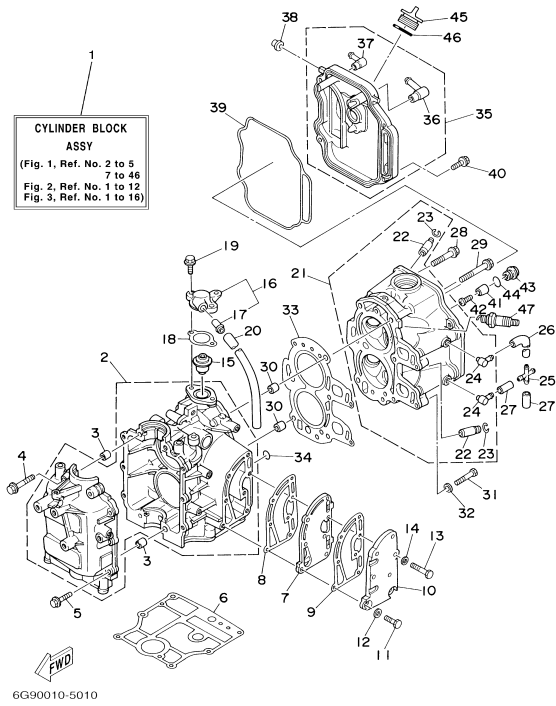


T9.9ELRX 1999 / CYLINDER CRANKCASE

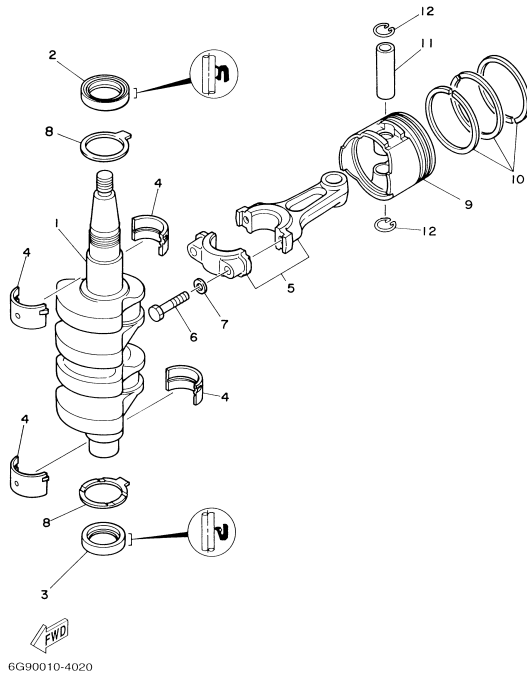


## Part List

T9.9ELRX 1999 / CYLINDER CRANKCASE

| REF<br>-<br>NO | PART<br>NUMBER  | PART NAME                      | QUANTITY | REMARKS |
|----------------|-----------------|--------------------------------|----------|---------|
| 1              | 6G8-W0090-33-1S | CRANK CYLINDER ASSY            | 1        |         |
| 2              | 6G8-15100-05-1S | CRANKCASE ASSY                 | 1        |         |
| 3              | 99510-10114-00  | PIN, DOWEL                     | 2        |         |
| 4              | 90119-08M18-00  | BOLT, WITH WASHER              | 4        |         |
| 5              | 90119-06M12-00  | BOLT, WITH WASHER              | 6        |         |
| 6              | 6G8-11351-A0-00 | GASKET, CYLINDER               | 1        |         |
| 7              | 6G8-41111-02-1S | INNER COVER, EXHAUST           | 1        |         |
| 8              | 6G8-41112-02-00 | GASKET, EXHAUST INNER<br>COVER | 1        |         |
| 9              | 6G8-41114-00-00 | GASKET, EXHAUST OUTER<br>COVER | 1        |         |
| 10             | 6G8-41113-10-1S | OUTER COVER, EXHAUST           | 1        |         |
| 11             | 97013-06025-00  | BOLT                           | 2        |         |
| 12             | 92903-06600-00  | WASHER, PLATE                  | 2        |         |
| 13             | 97013-06030-00  | BOLT                           | 5        |         |
| 14             | 92903-06600-00  | WASHER, PLATE                  | 5        |         |
| 15             | 6G8-12411-02-00 | THERMOSTAT                     | 1        |         |
| 16             | 6G8-12413-00-1S | COVER, THERMOSTAT              | 1        |         |
| 17             | 6E5-24377-00-00 | .PIPE, JOINT 2                 | 1        |         |
| 18             | 6G8-12414-A0-00 | .GASKET, COVER                 | 1        |         |
| 19             | 97513-06520-00  | BOLT, WITH WASHER              | 2        |         |
| 20             | 90445-11M66-00  | .HOSE (L410)                   | 1        |         |
| 21             | 6G8-11111-03-1S | HEAD, CYLINDER 1               | 1        |         |
| 22             | 6G8-11133-10-00 | .GUIDE, VALVE 1                | 4        |         |
| 23             | 93450-09M01-00  | .CIRCLIP                       | 4        |         |
| 24             | 676-11372-00-00 | .NIPPLE, HOSE                  | 2        |         |
| 25             | 6G9-24379-00-00 | PIPE, JOINT 4                  | 1        |         |
| 26             | 6G8-12481-01-00 | PIPE 1                         | 1        |         |
| 27             | 90445-09220-00  | HOSE (L30)                     | 2        |         |
| 28             | 90105-08M37-00  | BOLT, FLANGE                   | 3        |         |
| 29             | 90105-08M36-00  | BOLT, FLANGE                   | 3        |         |
| 30             | 99510-10114-00  | PIN, DOWEL                     | 2        |         |
| 31             | 97013-06035-00  | BOLT                           | 2        |         |
| 32             | 92903-06600-00  | WASHER, PLATE                  | 2        |         |
| 33             | 6G8-11181-A1-00 | GASKET, CYLINDER HEAD 1        | 1        |         |
| 34             | 93210-11M59-00  | O-RING                         | 1        |         |
| 35             | 6G8-11191-01-1S | COVER, CYLINDER HEAD 1         | 1        |         |
| 36             | 6G8-15373-00-00 | .PIPE, BREATHER                | 1        |         |
| 37             | 676-11372-00-00 | .NIPPLE, HOSE                  | 1        |         |
| 38             | 6G8-81336-00-00 | GROMMET                        | 2        |         |
| 39             | 6G8-11356-00-00 | SEAL, CYLINDER 2               | 1        |         |
| 40             | 97513-06520-00  | BOLT, WITH WASHER              | 4        |         |
| 41             | 6G8-11325-00-00 | ANODE                          | 1        |         |
| 42             | 97880-05025-00  | SCREW, PAN HEAD                | 1        |         |
| 43             | 6G8-11197-00-00 | PLUG, BLIND                    | 1        |         |
| 44             | 93210-13M63-00  | .O-RING                        | 1        |         |
| 45             | 6G8-15363-00-00 | PLUG, OIL                      | 1        |         |
| 46             | 93210-24M79-00  | .O-RING                        | 1        |         |
| 47             | NGK-CR6HS-00-00 | PLUG SPARK (NGK CR6HS)         | 2        |         |

T9.9ELRX 1999 / CRANKSHAFT PISTON



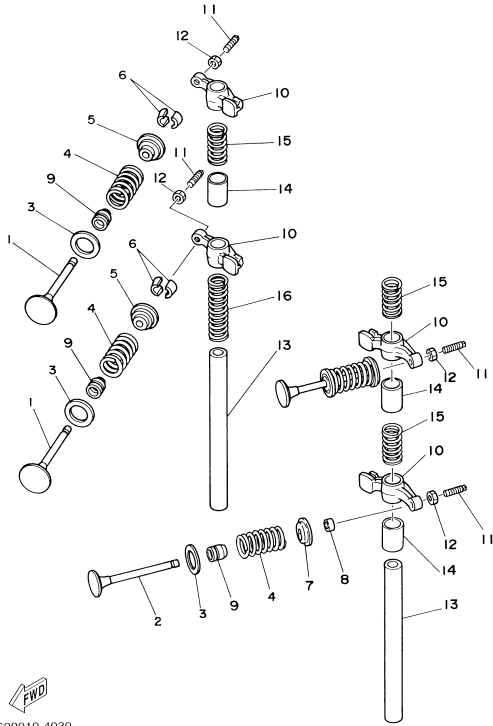
©2014 Yamaha Motor Corporation, U.S.A. All rights reserved.

## Part List

T9.9ELRX 1999 / CRANKSHAFT PISTON

| REF<br>-<br>NO | PART<br>NUMBER  | PART NAME                       | QUANTITY | REMARKS  |
|----------------|-----------------|---------------------------------|----------|----------|
| 1              | 6G8-11411-04-00 | CRANKSHAFT                      | 1        |          |
| 2              | 93102-30M22-00  | .OIL SEAL                       | 1        |          |
| 3              | 93101-25M24-00  | OIL SEAL                        | 1        |          |
| 4              | 6G8-11416-00-00 | PLANE BEARING,<br>CRANKSHAFT 1  | 4        | UR BROWN |
| 4              | 6G8-11416-10-00 | PLANE BEARING,<br>CRANKSHAFT 1  | 4        | UR BLACK |
| 4              | 6G8-11416-20-00 | PLANE BEARING,<br>CRANKSHAFT 1  | 4        | UR BLUE  |
| 5              | 6G8-11650-03-00 | CONNECTING ROD ASSY             | 2        |          |
| 6              | 6G8-11654-00-00 | BOLT, CONNECTING ROD            | 4        |          |
| 7              | 90201-06M00-00  | WASHER, PLATE                   | 4        |          |
| 8              | 6G8-11426-00-00 | PLANE BEARING,<br>CRANKSHAFT 1  | 2        |          |
| 9              | 6G8-11636-03-00 | PISTON (0.50MM O/S)             | 2        | AP       |
| 9              | 6G8-11635-03-00 | PISTON (0.25MM O/S)             | 2        | AP       |
| 9              | 6G8-11631-03-96 | PISTON (STD)                    | 2        |          |
| 10             | 6G8-11610-02-00 | PISTON RING SET (STD)           | 2        |          |
| 10             | 6G8-11610-22-00 | PISTON RING SET (0.50MM<br>O/S) | 2        | AP       |
| 10             | 6G8-11610-12-00 | PISTON RING SET (0.25MM<br>O/S) | 2        | AP       |
| 11             | 634-11633-00-00 | PIN, PISTON                     | 2        |          |
| 12             | 93450-15023-00  | CIRCLIP                         | 4        |          |

T9.9ELRX 1999 / VALVE



6G90010-4030

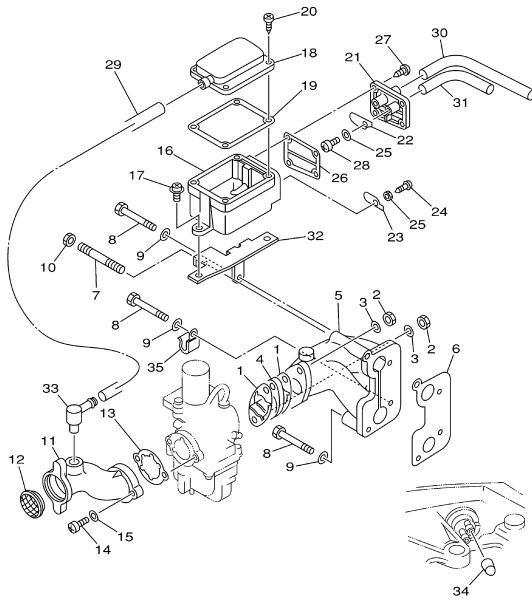
©2014 Yamaha Motor Corporation, U.S.A. All rights reserved.

## Part List

T9.9ELRX 1999 / VALVE

| REF<br>-<br>NO | PART<br>NUMBER  | PART NAME                      | QUANTITY | REMARKS |
|----------------|-----------------|--------------------------------|----------|---------|
| 1              | 6G8-12111-00-00 | VALVE, INTAKE                  | 2        |         |
| 2              | 6G8-12121-01-00 | VALVE, EXHAUST                 | 2        |         |
| 3              | 6G8-12116-00-00 | SEAT, VALVE SPRING             | 4        |         |
| 4              | 6G8-12113-00-00 | SPRING, VALVE INNER            | 4        |         |
| 5              | 6G8-12117-00-00 | RETAINER, VALVE SPRING         | 2        |         |
| 6              | 30X-12118-00-00 | LOCK, VALVE SPRING<br>RETAINER | 4        |         |
| 7              | 6G8-12117-10-00 | RETAINER, VALVE SPRING         | 2        |         |
| 8              | 6G8-12153-00-00 | LIFTER, VALVE                  | 2        |         |
| 9              | 51Y-12119-00-00 | SEAL, VALVE STEM               | 4        |         |
| 10             | 6G8-12151-00-00 | ARM, VALVE ROCKER              | 4        |         |
| 11             | 6G8-12159-00-00 | SCREW, VALVE ADJUSTING         | 4        |         |
| 12             | 6G8-12158-00-00 | NUT, LOCK                      | 4        |         |
| 13             | 6G8-12146-00-00 | SHAFT, ROCKER                  | 2        |         |
| 14             | 90387-13M56-00  | COLLAR                         | 3        |         |
| 15             | 90501-12M40-00  | SPRING, COMPRESSION            | 3        |         |
| 16             | 90501-12M41-00  | SPRING, COMPRESSION            | 1        |         |

T9.9ELRX 1999 / INTAKE




  
6G80110-9040

Part List T9.9ELRX 1999 / INTAKE

| REF - NO | PART NUMBER     | PART NAME                | QUANTITY | REMARKS |
|----------|-----------------|--------------------------|----------|---------|
| 1        | 6G8-13646-A0-00 | GASKET, MANIFOLD 2       | 2        |         |
| 2        | 95380-06700-00  | NUT                      | 2        |         |
| 3        | 92990-06600-00  | WASHER, PLATE            | 2        |         |
| 4        | 6G8-13647-00-00 | GASKET, MANIFOLD 3       | 1        |         |
| 5        | 6G8-13641-01-94 | MANIFOLD 1               | 1        |         |
| 6        | 6G8-13645-00-00 | GASKET, MANIFOLD 1       | 1        |         |
| 7        | 90116-06M15-00  | BOLT, STUD               | 1        |         |
| 8        | 97095-06045-00  | .BOLT                    | 3        |         |
| 9        | 92995-06600-00  | WASHER                   | 3        |         |
| 10       | 95380-06700-00  | NUT                      | 1        |         |
| 11       | 6G8-14479-10-94 | FUNNEL                   | 1        |         |
| 12       | 6G8-14478-00-00 | LOUVER                   | 1        |         |
| 13       | 6G8-14198-A0-00 | .GASKET                  | 1        |         |
| 14       | 97880-05016-00  | SCREW, PAN HEAD          | 2        |         |
| 15       | 92990-05600-00  | WASHER, PLATE            | 2        |         |
| 16       | 6G8-15358-00-00 | SEPARATOR, OIL           | 1        |         |
| 17       | 90159-06M05-00  | SCREW, WITH WASHER       | 2        |         |
| 18       | 6G8-15368-00-94 | SEPERATOR, OIL           | 1        |         |
| 19       | 6G8-15369-00-00 | GASKET, OIL SEAL HOUSING | 1        |         |
| 20       | 97780-40512-00  | SCREW, TAPPING           | 4        |         |
| 21       | 6G8-15371-00-94 | BREATHER                 | 1        |         |
| 22       | 6G8-15346-00-00 | BREATHER 1               | 1        |         |
| 23       | 6G8-15347-00-00 | BREATHER 2               | 1        |         |
| 24       | 97780-40512-00  | SCREW, TAPPING           | 1        |         |
| 25       | 92990-04200-00  | WASHER                   | 2        |         |
| 26       | 6G8-15374-00-00 | GASKET, BREATHER         | 1        |         |
| 27       | 97780-40512-00  | SCREW, TAPPING           | 4        |         |
| 28       | 98507-04010-00  | SCREW, PAN HEAD          | 1        |         |
| 29       | 6G8-15393-10-00 | PIPE, BREATHER 2         | 1        |         |
| 30       | 90445-11M52-00  | HOSE (L150)              | 1        |         |
| 31       | 90445-09065-00  | HOSE (L90)               | 1        |         |
| 32       | 6G8-15376-00-00 | HOLDER, GUIDE            | 1        |         |
| 33       | 6G8-15373-00-00 | PIPE, BREATHER           | 1        |         |
| 34       | 6G8-13448-00-00 | CAP                      | 1        |         |
| 35       | 90465-08M75-00  | CLAMP                    | 1        |         |

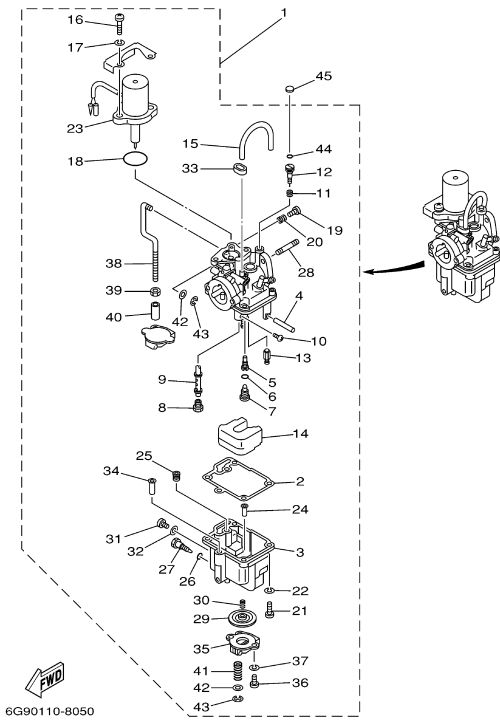
Part Notes T9.9ELRX 1999 / INTAKE

| PART NUMBER                                                                                        | NOTE TEXT                                                                                          |
|----------------------------------------------------------------------------------------------------|----------------------------------------------------------------------------------------------------|
| 92990-06600-00  | OEM: This part number is among the Top 100 Most Popular Marine Maintenance Parts as of March 2014. |

©2014 Yamaha Motor Corporation, U.S.A. All rights reserved.



T9.9ELRX 1999 / CARBURETOR



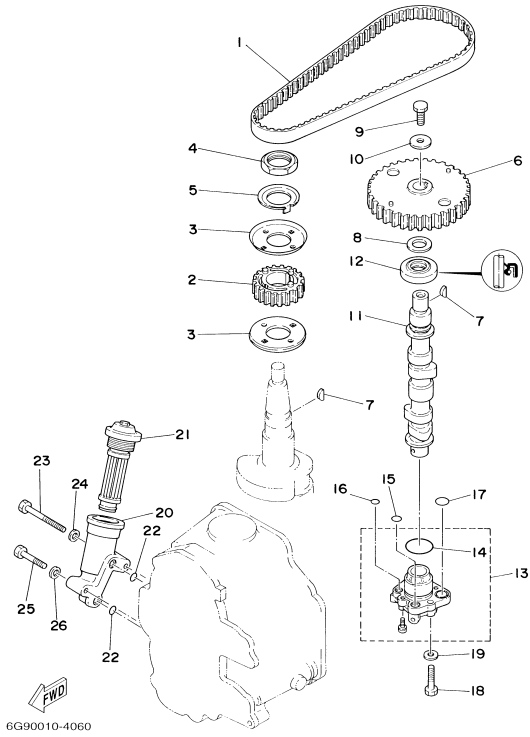
6G90110-8050

## Part List

T9.9ELRX 1999 / CARBURETOR

| REF<br>-<br>NO | PART<br>NUMBER  | PART NAME                | QUANTITY | REMARKS |
|----------------|-----------------|--------------------------|----------|---------|
| 1              | 6G8-14301-20-00 | CARBURETOR ASSY 1        | 1        |         |
| 2              | 6G8-14384-01-00 | .GASKET, FLOAT CHAMBER   | 1        |         |
| 3              | 6G8-14381-02-00 | .BODY, FLOAT CHAMBER     | 1        |         |
| 4              | 647-14386-00-00 | .PIN, FLOAT              | 1        |         |
| 5              | 6G8-14342-24-00 | .JET, PILOT (#48)        | 1        |         |
| 6              | 654-14198-00-00 | .GASKET                  | 1        |         |
| 7              | 6G8-14345-00-00 | .PLUG, MAIN NOZZLE       | 1        |         |
| 8              | 648-14343-43-00 | .JET, MAIN (#86)         | 1        |         |
| 9              | 6G8-14341-20-00 | .NOZZLE, MAIN            | 1        |         |
| 10             | 6G8-14216-00-00 | .SCREW                   | 1        |         |
| 11             | 647-14334-00-00 | .SPRING                  | 1        |         |
| 12             | 6G8-14323-20-00 | .SCREW, AIR ADJUSTING    | 1        |         |
| 13             | 6G8-14392-00-00 | .VALVE, NEEDLE           | 1        |         |
| 14             | 6G8-14385-00-00 | .FLOAT                   | 1        |         |
| 15             | 6G8-14197-01-00 | .PIPE                    | 1        |         |
| 16             | 98580-06018-00  | .SCREW, PAN HEAD         | 2        |         |
| 17             | 92990-06100-00  | .WASHER, SPRING          | 2        |         |
| 18             | 1HV-14147-00-00 | .O-RING                  | 1        |         |
| 19             | 664-14321-01-00 | .SCREW, THROTTLE         | 1        |         |
| 20             | 646-14212-00-00 | .SPRING, PILOT ADJUSTING | 1        |         |
| 21             | 98580-04016-00  | .SCREW, PAN HEAD         | 4        |         |
| 22             | 92990-04100-00  | .WASHER, SPRING          | 4        |         |
| 23             | 6G8-1410A-01-00 | .STARTER SET             | 1        |         |
| 24             | 6G8-14827-00-00 | .FILTER                  | 1        |         |
| 25             | 6A4-14344-30-00 | .JET, STARTER (#60)      | 1        |         |
| 26             | 5Y1-14397-00-00 | .O-RING                  | 1        |         |
| 27             | 6G8-14383-00-00 | .SCREW, DRAIN            | 1        |         |
| 28             | 90116-06M26-00  | .BOLT, STUD              | 2        |         |
| 29             | 6G8-14368-02-00 | .DIAPHRAGM ASSEMBLY      | 1        |         |
| 30             | 6G8-14275-01-00 | .SPRING                  | 1        |         |
| 31             | 97890-05006-00  | .SCREW, PAN HEAD         | 1        |         |
| 32             | 646-14198-01-00 | .GASKET                  | 1        |         |
| 33             | 6G8-14349-00-00 | .PIPE                    | 1        |         |
| 34             | 6G8-14217-00-00 | .VALVE, CHOKE            | 1        |         |
| 35             | 6G8-14293-03-00 | .COVER 1                 | 1        |         |
| 36             | 98580-04010-00  | .SCREW, PAN HEAD         | 2        |         |
| 37             | 92990-04100-00  | .WASHER, SPRING          | 2        |         |
| 38             | 6G8-14379-00-00 | .ROD, STARTER            | 1        |         |
| 39             | 98813-03100-00  | .NUT                     | 1        |         |
| 40             | 6G8-14229-00-00 | .SHAFT, CHOKE            | 1        |         |
| 41             | 6G8-14286-01-00 | .SPRING                  | 1        |         |
| 42             | 6G8-14357-00-00 | .WASHER, PLAIN           | 2        |         |
| 43             | 389-14137-00-00 | .CLIP                    | 2        |         |
| 44             | 5H0-14397-00-00 | .O-RING                  | 1        |         |
| 45             | 6G8-1432A-00-00 | .PLUG                    | 1        |         |

T9.9ELRX 1999 / OIL PUMP



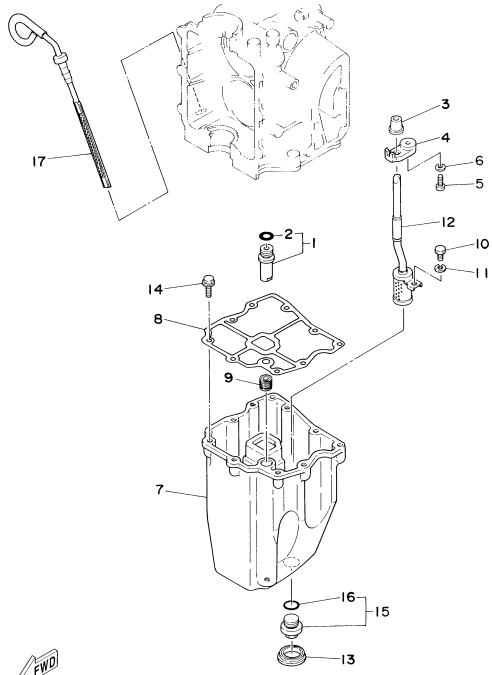
©2014 Yamaha Motor Corporation, U.S.A. All rights reserved.

## Part List

T9.9ELRX 1999 / OIL PUMP

| REF<br>-<br>NO | PART<br>NUMBER  | PART NAME                | QUANTITY | REMARKS |
|----------------|-----------------|--------------------------|----------|---------|
| 1              | 6G8-46241-00-00 | V-BELT                   | 1        |         |
| 2              | 6G8-11536-00-94 | GEAR, DRIVE              | 1        |         |
| 3              | 6G8-11557-00-00 | WASHER 1                 | 2        |         |
| 4              | 90170-24M09-00  | NUT                      | 1        |         |
| 5              | 6G8-11587-00-00 | WASHER, LOCK             | 1        |         |
| 6              | 6G8-11537-00-94 | GEAR, DRIVEN             | 1        |         |
| 7              | 90280-03M01-00  | .KEY, WOODRUFF           | 2        |         |
| 8              | 90201-13201-00  | WASHER, PLATE            | 1        |         |
| 9              | 97013-06016-00  | BOLT                     | 1        |         |
| 10             | 90201-06M94-00  | WASHER, PLATE            | 1        |         |
| 11             | 6G8-12171-00-00 | CAMSHAFT 1               | 1        |         |
| 12             | 93102-18M21-00  | .OIL SEAL                | 1        |         |
| 13             | 6G8-13300-02-00 | OIL PUMP ASSY            | 1        |         |
| 14             | 93210-27ME3-00  | .O-RING                  | 1        |         |
| 15             | 93210-10M61-00  | .O-RING                  | 1        |         |
| 16             | 93210-09M01-00  | .O-RING                  | 1        |         |
| 17             | 93210-13M63-00  | .O-RING                  | 2        |         |
| 18             | 97095-06025-00  | BOLT                     | 3        |         |
| 19             | 92995-06600-00  | WASHER                   | 3        |         |
| 20             | 6G8-13442-00-1S | HOUSING, OIL FILTER      | 1        |         |
| 21             | 6G8-13440-00-00 | ELEMENT ASSY,OIL CLEANER | 1        |         |
| 22             | 93210-09M01-00  | .O-RING                  | 2        |         |
| 23             | 97013-06050-00  | BOLT                     | 1        |         |
| 24             | 92903-06600-00  | WASHER, PLATE            | 1        |         |
| 25             | 97013-06030-00  | BOLT                     | 1        |         |
| 26             | 92903-06600-00  | WASHER, PLATE            | 1        |         |

T9.9ELRX 1999 / OIL PAN



  
6G90010-4070

## Part List

T9.9ELRX 1999 / OIL PAN

| REF<br>-<br>NO | PART<br>NUMBER  | PART NAME              | QUANTITY | REMARKS |
|----------------|-----------------|------------------------|----------|---------|
| 1              | 6G8-11575-00-00 | RELIEF VALVE ASSY      | 1        |         |
| 2              | 93210-12M62-00  | .O-RING                | 1        |         |
| 3              | 6G8-15379-00-00 | SEAL, CRANKCASE        | 1        |         |
| 4              | 6G8-13487-00-00 | GUIDE, OIL HOSE        | 1        |         |
| 5              | 97880-05012-00  | SCREW, PAN HEAD        | 1        |         |
| 6              | 92990-05600-00  | WASHER, PLATE          | 1        |         |
| 7              | 6G8-15311-03-0D | OIL PAN                | 1        |         |
| 8              | 6G8-15312-A1-00 | .GASKET, OIL PAN       | 1        |         |
| 9              | 6G8-45127-00-00 | SEAL                   | 1        |         |
| 10             | 97013-06010-00  | BOLT                   | 1        |         |
| 11             | 92903-06100-00  | WASHER, SPRING         | 1        |         |
| 12             | 6G8-13421-00-00 | STRAINER 2             | 1        |         |
| 13             | 6G8-15316-00-00 | DAMPER, ENGINE MOUNT 1 | 1        |         |
| 14             | 90105-06M33-00  | BOLT, FLANGE           | 9        |         |
| 15             | 6G8-13471-00-00 | PLUG, DRAIN            | 1        |         |
| 16             | 93210-16M64-00  | .O-RING                | 1        |         |
| 17             | 6G8-15362-04-00 | PLUG, OIL LEVEL        | 1        |         |



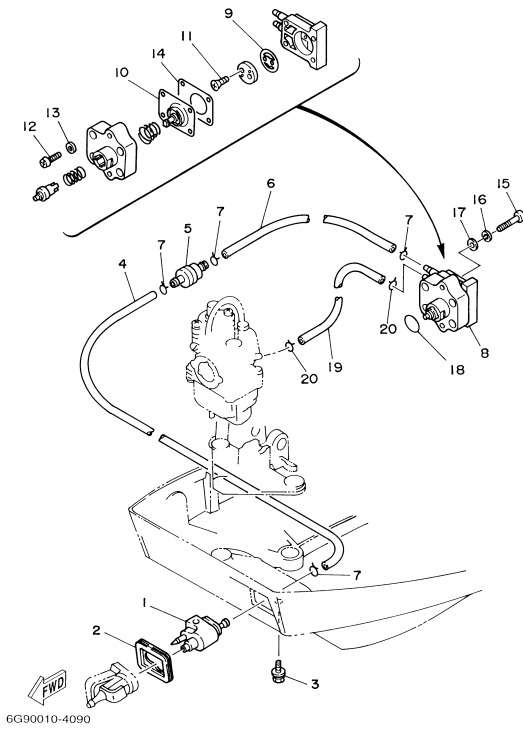
## Part List

T9.9ELRX 1999 / STARTER T9.9MH

| REF<br>-<br>NO | PART<br>NUMBER  | PART NAME                    | QUANTITY | REMARKS |
|----------------|-----------------|------------------------------|----------|---------|
| 1              | 6G8-15710-10-00 | STARTER ASSY                 | 1        | (M)     |
| 2              | 6G8-15711-00-00 | .CASE, STARTER               | 1        | (M)     |
| 3              | 6G8-15714-00-00 | .DRUM, SHEAVE                | 1        | (M)     |
| 4              | 6G8-15713-00-00 | .SPRING, STARTER             | 1        | (M)     |
| 5              | 6G8-15719-00-00 | .WASHER, THRUST              | 1        | (M)     |
| 6              | 6G8-15723-00-00 | .PULLEY, STARTER             | 1        | (M)     |
| 7              | 6G8-15715-00-00 | .SPRING, FRICTION            | 1        | (M)     |
| 8              | 6G8-15754-00-00 | .BUSH 2                      | 1        | (M)     |
| 9              | 6G8-15727-00-00 | .PIN                         | 1        | (M)     |
| 10             | 6G8-15768-00-00 | .BOLT                        | 1        | (M)     |
| 11             | 95333-08700-00  | .NUT                         | 1        | (M)     |
| 12             | 6F5-15752-00-00 | .ROLLER, WIRE                | 1        | (M)     |
| 13             | 663-15753-00-00 | .BUSH                        | 1        | (M)     |
| 14             | 663-15791-00-00 | .WASHER, LOCK                | 1        | (M)     |
| 15             | 97305-06025-00  | .BOLT                        | 1        | (M)     |
| 16             | 92903-06100-00  | .WASHER, SPRING              | 1        | (M)     |
| 17             | 6G8-15739-00-00 | .WASHER, THRUST              | 1        | (M)     |
| 18             | 90580-50M01-00  | .ROPE, STARTER               | 1        | (M)     |
| 19             | 97322-05012-00  | .BOLT                        | 6        | (M)     |
| 20             | 92902-05100-00  | .WASHER, SPRING              | 6        | (M)     |
| 21             | 6G8-15726-00-00 | .WASHER, FLAT                | 1        | (M)     |
| 22             | 6G8-15794-00-00 | .STOPPER                     | 1        | (M)     |
| 23             | 6G8-15746-00-00 | .ARM                         | 1        | (M)     |
| 24             | 6G8-15767-00-00 | .SPRING                      | 1        | (M)     |
| 25             | 6G8-15734-00-00 | .SPRING, RETURN              | 1        | (M)     |
| 26             | 6G8-15747-00-00 | .LINK                        | 1        | (M)     |
| 27             | 6G8-15716-00-00 | .PLATE, DRIVE                | 1        | (M)     |
| 28             | 92902-06200-00  | .WASHER                      | 1        | (M)     |
| 29             | 91490-16012-00  | .PIN, COTTER                 | 1        | (M)     |
| 30             | 6G8-15712-00-00 | .COVER, STARTER CASE         | 1        | (M)     |
| 31             | 6G8-15779-00-00 | .COVER                       | 1        | (M)     |
| 32             | 6G8-15789-00-00 | .DAMPER                      | 1        | (M)     |
| 33             | 6G8-15742-00-00 | .WASHER, DRIVE PAWL          | 1        | (M)     |
| 34             | 6G1-15755-00-00 | .HANDLE, STARTER             | 1        | (M)     |
| 35             | 689-15779-01-00 | COVER                        | 1        | (M)     |
| 36             | 97075-08030-00  | BOLT                         | 3        | (M)     |
| 37             | 92995-08600-00  | WASHER                       | 3        | (M)     |
| 38             | 6G8-15770-00-00 | CABLE COMP., STARTER<br>STOP | 1        | (M)     |
| 39             | 6G8-15771-00-00 | STAY 1                       | 1        | (M)     |
| 40             | 97095-06012-00  | BOLT                         | 1        | (M)     |
| 41             | 92995-06600-00  | WASHER                       | 1        | (M)     |
| 42             | 6G8-15772-00-00 | STAY 2                       | 1        | (M)     |



T9.9ELRX 1999 / FUEL



©2014 Yamaha Motor Corporation, U.S.A. All rights reserved.




Part List

T9.9ELRX 1999 / FUEL

| REF - NO | PART NUMBER     | PART NAME               | QUANTITY | REMARKS |
|----------|-----------------|-------------------------|----------|---------|
| 1        | 6G1-24304-02-00 | FUEL PIPE JOINT COMP. 1 | 1        |         |
| 2        | 6G8-24329-00-00 | SEAL                    | 1        |         |
| 3        | 97595-06520-00  | BOLT, WITH WASHER       | 1        |         |
| 4        | 6G8-24311-00-00 | PIPE, FUEL 1            | 1        |         |
| 5        | 646-24251-02-00 | .STRAINER 1             | 1        |         |
| 6        | 90445-09065-00  | HOSE (L90)              | 1        |         |
| 7        | 90467-08004-00  | CLIP                    | 4        |         |
| 8        | 6G8-24410-03-00 | FUEL PUMP ASSY          | 1        |         |
| 9        | 6G8-24421-00-00 | .VALVE, CHECK           | 1        |         |
| 10       | 6G8-24411-02-00 | .DIAPHRAGM              | 1        |         |
| 11       | 98780-03008-00  | .SCREW, FLAT HEAD       | 2        |         |
| 12       | 98503-04014-00  | .SCREW, PAN HEAD        | 4        |         |
| 13       | 92903-04600-00  | .WASHER                 | 4        |         |
| 14       | 6G8-24471-00-00 | .DIAPHRAGM              | 1        |         |
| 15       | 97880-06025-00  | SCREW, PAN HEAD         | 2        |         |
| 16       | 92990-06100-00  | ..WASHER, SPRING        | 2        |         |
| 17       | 92990-06600-00  | WASHER, PLATE           | 2        |         |
| 18       | 93210-20M65-00  | .O-RING                 | 1        |         |
| 19       | 90445-09105-00  | HOSE (L300)             | 1        |         |
| 20       | 90467-08004-00  | CLIP                    | 2        |         |

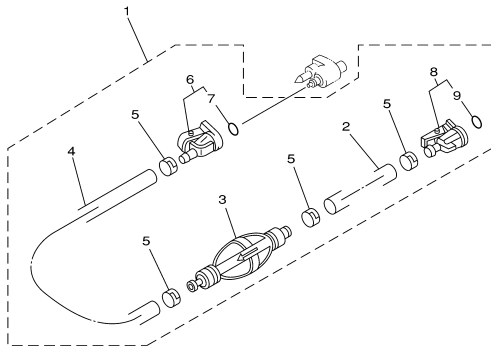
Part Notes

T9.9ELRX 1999 / FUEL

| PART NUMBER     | NOTE TEXT                                                                                                                                                                                                                                                                         |
|-----------------|-----------------------------------------------------------------------------------------------------------------------------------------------------------------------------------------------------------------------------------------------------------------------------------|
| 646-24251-02-00 |  OEM: This part number is among the Top 100 Most Popular Marine Maintenance Parts as of March 2014.                                                                                              |
| 6G8-24410-03-00 |  OEM: The new pump has two additional barbs installed in the base so that cooling water from the overboard water pump indicator can be routed through the fuel pump to prevent vapor lock condit |
| 92990-06600-00  |  OEM: This part number is among the Top 100 Most Popular Marine Maintenance Parts as of March 2014.                                                                                              |

©2014 Yamaha Motor Corporation, U.S.A. All rights reserved.

T9.9ELRX 1999 / FUEL 2



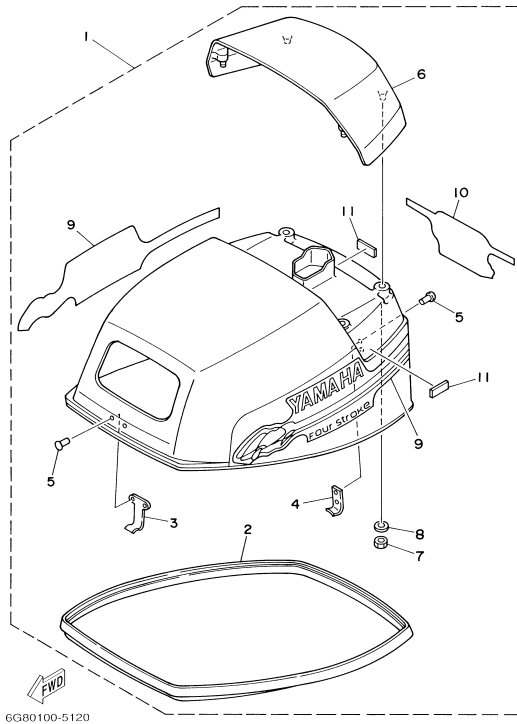
6960100-0050

## Part List

T9.9ELRX 1999 / FUEL 2

| REF<br>-<br>NO | PART<br>NUMBER  | PART NAME               | QUANTITY | REMARKS |
|----------------|-----------------|-------------------------|----------|---------|
| 1              | 6Y1-24306-51-00 | FUEL PIPE COMP. 1       | 1        | AP      |
| 2              | 90445-11M06-00  | .HOSE (L2050)           | 1        |         |
| 3              | 6Y1-24360-51-00 | .PRIMER PUMP ASSY       | 1        |         |
| 4              | 90445-11M05-00  | .HOSE (L850)            | 1        |         |
| 5              | 650-24351-51-00 | .BAND 1                 | 4        |         |
| 6              | 6G1-24305-01-00 | .FUEL PIPE JOINT COMP 2 | 1        |         |
| 7              | 93210-08287-00  | ..O-RING                | 1        |         |
| 8              | 6Y1-24305-02-00 | .FUEL PIPE JOINT COMP 2 | 1        |         |
| 9              | 93210-08287-00  | ..O-RING                | 1        |         |

T9.9ELRX 1999 / TOP COWLING



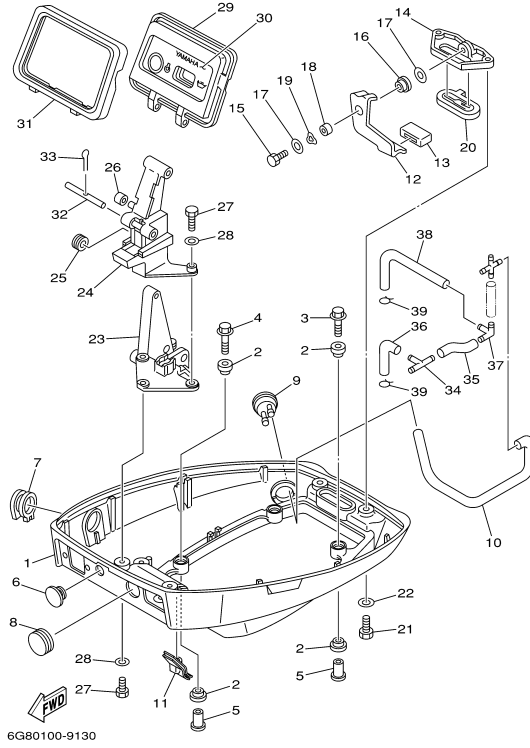
©2014 Yamaha Motor Corporation, U.S.A. All rights reserved.

## Part List

T9.9ELRX 1999 / TOP COWLING

| REF<br>-<br>NO | PART<br>NUMBER  | PART NAME          | QUANTITY | REMARKS |
|----------------|-----------------|--------------------|----------|---------|
| 1              | 6G8-42610-51-4D | TOP COWLING ASSY   | 1        |         |
| 2              | 6G8-42615-01-00 | .SEAL              | 1        |         |
| 3              | 6G8-42651-00-00 | .HOOK              | 1        |         |
| 4              | 6G8-42652-00-00 | .HOOK              | 1        |         |
| 5              | 90266-04M04-00  | .RIVET             | 4        |         |
| 6              | 6G8-42613-01-4D | .MOLDING, AIR DUCT | 1        |         |
| 7              | 95303-06700-00  | .NUT               | 4        |         |
| 8              | 92903-06200-00  | .WASHER, PLAIN     | 4        |         |
| 9              | 6G9-W0070-13-00 | .GRAPHIC SET       | 1        |         |
| 10             | 6G8-42678-51-00 | .GRAPHIC, REAR     | 1        |         |
| 11             | 6G8-42662-00-00 | .DAMPER            | 3        |         |

T9.9ELRX 1999 / BOTTOM COWLING



©2014 Yamaha Motor Corporation, U.S.A. All rights reserved.

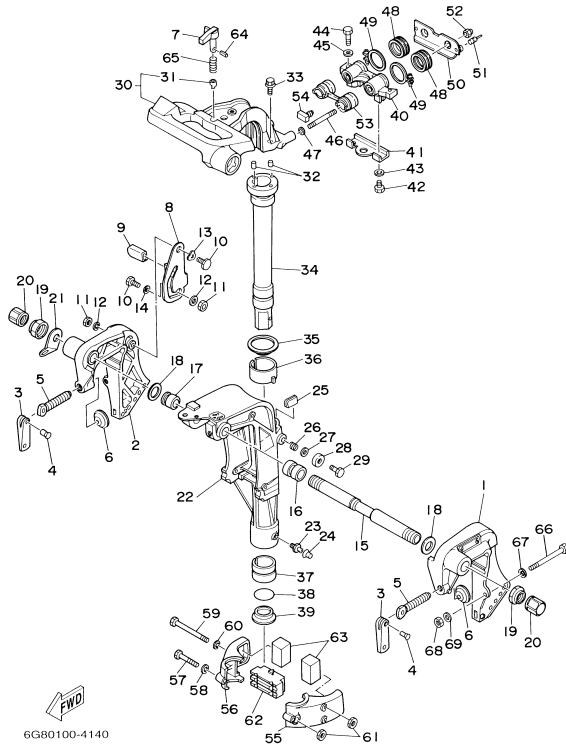
## Part List

T9.9ELRX 1999 / BOTTOM COWLING

| REF<br>-<br>NO | PART<br>NUMBER  | PART NAME          | QUANTITY | REMARKS      |
|----------------|-----------------|--------------------|----------|--------------|
| 1              | 6G8-42711-02-4D | COWLING, BOTTOM 1  | 1        |              |
| 2              | 90480-09M35-00  | GROMMET            | 8        |              |
| 3              | 90119-06M56-00  | BOLT, WITH WASHER  | 2        |              |
| 4              | 90119-06M55-00  | BOLT, WITH WASHER  | 2        |              |
| 5              | 90387-06M15-00  | COLLAR             | 4        |              |
| 6              | 90480-17165-00  | GROMMET            | 1        | ER (E)       |
| 7              | 6G8-42724-00-00 | GROMMET            | 1        |              |
| 8              | 6G8-42724-40-00 | GROMMET            | 1        | UR EH (E)    |
| 8              | 6G8-42725-10-00 | GROMMET            | 1        | UR MH (M)    |
| 9              | 6G8-44391-00-00 | NIPPLE, HOSE       | 1        |              |
| 10             | 90445-09163-00  | HOSE (L235)        | 1        |              |
| 11             | 6G8-42727-00-00 | GROMMET            | 1        |              |
| 12             | 6G8-42815-00-00 | LEVER, CLAMP       | 1        |              |
| 13             | 6G8-42831-00-00 | BUSHING            | 1        |              |
| 14             | 6G8-42811-00-94 | STAY               | 1        |              |
| 15             | 97013-06016-00  | BOLT               | 1        |              |
| 16             | 90386-08M49-00  | BUSH               | 1        |              |
| 17             | 90201-06M31-00  | .WASHER, PLATE     | 2        |              |
| 18             | 90387-06M72-00  | COLLAR             | 1        |              |
| 19             | 90206-08M13-00  | WASHER, WAVE       | 1        |              |
| 20             | 6G8-42748-00-00 | GROMMET            | 1        |              |
| 21             | 97095-06016-00  | BOLT               | 2        |              |
| 22             | 92995-06600-00  | WASHER             | 2        |              |
| 23             | 6G8-42738-00-94 | PLATE, FITTING     | 1        |              |
| 24             | 6G8-42719-00-94 | PANEL, FRONT LOWER | 1        |              |
| 25             | 90480-19031-00  | GROMMET            | 1        |              |
| 26             | 90445-05ME6-00  | HOSE (L8)          | 1        |              |
| 27             | 97095-06016-00  | BOLT               | 4        |              |
| 28             | 92995-06600-00  | WASHER             | 4        |              |
| 29             | 6G8-42614-02-00 | PANEL, FRONT UPPER | 1        | UR MH (M)    |
| 29             | 6G8-42614-12-00 | PANEL, FRONT UPPER | 1        | UR EH,ER (E) |
| 30             | 6G8-42677-00-00 | GRAPHIC, FRONT     | 1        | UR MH (M)    |
| 30             | 6G8-42677-10-00 | GRAPHIC, FRONT     | 1        | UR EH (E)    |
| 30             | 6G8-42677-20-00 | GRAPHIC, FRONT     | 1        | UR ER (E)    |
| 31             | 6G8-42629-02-00 | SEAL               | 1        |              |
| 32             | 6G8-42755-00-00 | HINGE, COWLING     | 1        |              |
| 33             | 91490-16010-00  | PIN. COTTER        | 1        |              |
| 34             | 6G8-24379-00-00 | PIPE, JOINT 4      | 1        |              |
| 35             | 90445-10M78-00  | HOSE (L50)         | 1        |              |
| 36             | 6G8-12476-00-00 | PIPE 6             | 1        |              |
| 37             | 6G8-24378-01-00 | PIPE, JOINT 3      | 1        |              |
| 38             | 6G8-12485-00-00 | PIPE 5             | 1        |              |
| 39             | 90467-10M04-00  | CLIP               | 2        |              |



T9.9ELRX 1999 / BRACKET 1



©2014 Yamaha Motor Corporation, U.S.A. All rights reserved.


## Part List

T9.9ELRX 1999 / BRACKET 1

| REF<br>-<br>NO | PART<br>NUMBER  | PART NAME                      | QUANTITY | REMARKS |
|----------------|-----------------|--------------------------------|----------|---------|
| 1              | 6G8-43111-04-4D | BRACKET, CLAMP 1               | 1        |         |
| 2              | 6G8-43112-04-4D | BRACKET, CLAMP 2               | 1        |         |
| 3              | 6E0-43118-01-00 | HANDLE, TRANSOM CLAMP          | 2        |         |
| 4              | 90243-04M01-00  | PIN                            | 2        |         |
| 5              | 6E7-43116-00-00 | SCREW, TRANSOM CLAMP           | 2        |         |
| 6              | 648-43114-01-00 | PAD, TRANSOM CLAMP             | 2        |         |
| 7              | 6G8-42561-00-00 | KNOB, STEERING LOCK            | 1        |         |
| 8              | 6G8-43181-00-00 | LEVER, TILT STOP               | 1        |         |
| 9              | 682-43318-01-00 | COVER                          | 1        |         |
| 10             | 90109-06M25-00  | BOLT                           | 2        |         |
| 11             | 95680-06100-00  | NUT, U                         | 2        |         |
| 12             | 92990-06600-00  | WASHER, PLATE                  | 2        |         |
| 13             | 90206-10M15-00  | WASHER, WAVE                   | 1        |         |
| 14             | 682-43339-01-00 | WASHER                         | 1        |         |
| 15             | 6G8-43131-00-00 | BOLT, CLAMP BRACKET            | 1        |         |
| 16             | 90386-22M92-00  | BUSH                           | 1        |         |
| 17             | 90386-22M93-00  | BUSH                           | 1        |         |
| 18             | 90201-22M03-00  | WASHER, PLATE                  | 2        |         |
| 19             | 90185-22043-00  | NUT, SELF-LOCKING              | 2        |         |
| 20             | 6G5-43145-00-00 | CAP, CLAMP BRACKET             | 2        |         |
| 21             | 6J8-43113-01-00 | PLATE, CLAMP BRACKET           | 1        |         |
| 22             | 6G8-43311-15-4D | BRACKET, SWIVEL 1              | 1        |         |
| 23             | 93700-06M03-00  | NIPPLE, GREASE                 | 1        |         |
| 24             | 663-45119-00-00 | CAP, GREASE NIPPLE             | 1        | AP      |
| 25             | 6G8-42528-00-00 | PLATE, FRICTION                | 1        |         |
| 26             | 90501-18M00-00  | SPRING, COMPRESSION            | 1        |         |
| 27             | 90201-06M31-00  | .WASHER, PLATE                 | 1        |         |
| 28             | 6G8-43373-00-00 | SEAL, DAMPER                   | 1        |         |
| 29             | 97095-06025-00  | BOLT                           | 1        |         |
| 30             | 6G8-42511-02-4D | BRACKET, STEERING              | 1        |         |
| 31             | 6G8-42534-00-00 | .PIN, DOWEL                    | 1        |         |
| 32             | 93605-15065-00  | PIN, DOWEL                     | 2        |         |
| 33             | 90119-06M06-00  | BOLT, WITH WASHER              | 2        |         |
| 34             | 6G8-42521-10-94 | SHAFT, STEERING PIVOT          | 1        |         |
| 35             | 90209-45M09-00  | WASHER                         | 1        |         |
| 36             | 6G8-42537-00-00 | BUSHING, PIVOT SHAFT           | 1        |         |
| 37             | 90386-37M47-00  | BUSH                           | 1        |         |
| 38             | 93210-37M67-00  | O-RING                         | 1        |         |
| 39             | 90386-37M48-00  | BUSH                           | 1        |         |
| 40             | 6G8-44517-00-94 | MOUNT RUBBER                   | 1        |         |
| 41             | 6G8-44526-00-00 | PLATE                          | 1        |         |
| 42             | 97095-06012-00  | BOLT                           | 2        |         |
| 43             | 92995-06600-00  | WASHER                         | 2        |         |
| 44             | 97095-08030-00  | BOLT                           | 2        |         |
| 45             | 92995-08600-00  | WASHER                         | 2        |         |
| 46             | 90116-08M28-00  | BOLT, STUD                     | 2        |         |
| 47             | 90201-08M12-00  | .WASHER, PLATE                 | 2        |         |
| 48             | 6G8-44522-00-00 | SEAL                           | 2        |         |
| 49             | 90460-38M06-00  | CLAMP, HOSE                    | 2        |         |
| 50             | 6G8-44518-00-00 | BRACKET COMP.                  | 1        |         |
| 51             | 6G8-44533-00-00 | DAMPER, UPPER MOUNT<br>RUBBER  | 2        |         |
| 52             | 90185-08057-00  | NUT, SELF-LOCKING              | 2        |         |
| 53             | 6G8-44521-00-00 | SEAL                           | 1        |         |
| 54             | 6G8-44532-00-00 | STOPPER, UPPER MOUNT           | 1        |         |
| 55             | 6G8-44551-01-4D | HOUSING, LOWER MOUNT<br>RUBBER | 1        |         |
| 56             | 6G8-44552-02-4D | HOUSING, LOWER MOUNT<br>RUBBER | 1        |         |
| 57             | 97095-06045-00  | .BOLT                          | 1        |         |
| 58             | 92995-06600-00  | WASHER                         | 1        |         |
| 59             | 97095-06095-00  | BOLT                           | 2        |         |
| 60             | 92995-06600-00  | WASHER                         | 2        |         |
| 61             | 95380-06700-00  | NUT                            | 3        |         |
| 62             | 6G8-44557-00-00 | MOUNT DAMPER, LOWER<br>FRONT   | 1        |         |
| 63             | 682-44555-00-00 | MOUNT DAMPER, LOWER<br>SIDE    | 2        |         |
| 64             | 91690-30012-00  | .PIN, SPRING                   | 1        |         |
| 65             | 90501-10071-00  | ..SPRING, COMPRESSION          | 1        |         |
| 66             | 90101-08M88-00  | BOLT                           | 2        |         |
| 67             | 92995-08600-00  | WASHER                         | 2        |         |
| 68             | 90185-08057-00  | NUT, SELF-LOCKING              | 2        |         |
| 69             | 90201-08MA4-00  | WASHER, PLATE                  | 2        |         |

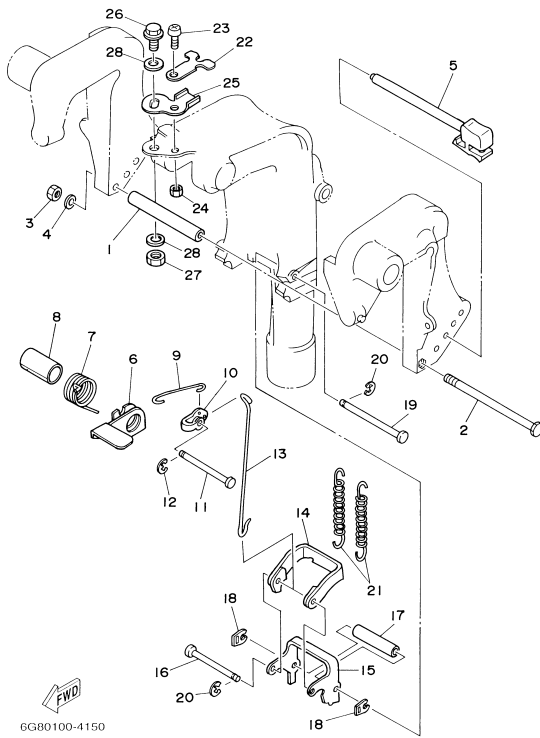
## Part Notes

T9.9ELRX 1999 / BRACKET 1

| PART NUMBER                                                                                        | NOTE TEXT                                                                                          |
|----------------------------------------------------------------------------------------------------|----------------------------------------------------------------------------------------------------|
| 92990-06600-00  | OEM: This part number is among the Top 100 Most Popular Marine Maintenance Parts as of March 2014. |

©2014 Yamaha Motor Corporation, U.S.A. All rights reserved.

T9.9ELRX 1999 / BRACKET 2



6G80100-4150


## Part List

T9.9ELRX 1999 / BRACKET 2

| REF<br>-<br>NO | PART<br>NUMBER  | PART NAME           | QUANTITY | REMARKS                     |
|----------------|-----------------|---------------------|----------|-----------------------------|
| 1              | 90387-06M09-00  | COLLAR              | 1        |                             |
| 2              | 97095-06135-00  | BOLT                | 1        |                             |
| 3              | 95380-06700-00  | NUT                 | 1        |                             |
| 4              | 92990-06600-00  | WASHER, PLATE       | 1        |                             |
| 5              | 6G8-43160-01-00 | TILT ROD ASSY       | 1        |                             |
| 6              | 6G8-43631-03-00 | LEVER, TILT         | 1        |                             |
| 7              | 90508-18M33-00  | SPRING, TORSION     | 1        |                             |
| 8              | 90386-20M94-00  | BUSH                | 1        |                             |
| 9              | 6G8-43616-00-00 | ROD, TILT LOCK      | 1        |                             |
| 10             | 682-43641-00-00 | LEVER, TILT         | 1        |                             |
| 11             | 90249-06M20-00  | PIN                 | 1        |                             |
| 12             | 93430-05027-00  | CIRCLIP             | 1        |                             |
| 13             | 6G8-43617-00-00 | ROD, TILT LOCK      | 1        |                             |
| 14             | 682-43614-00-00 | PLATE, TILT LOCK    | 1        |                             |
| 15             | 682-43615-01-00 | PLATE, TILT LOCK    | 1        |                             |
| 16             | 682-43611-01-00 | SHAFT, TILT LOCK    | 1        |                             |
| 17             | 90387-06M20-00  | COLLAR              | 1        |                             |
| 18             | 682-43673-00-00 | WASHER 1            | 2        | WITHOUT SHALLOW WATER DRIVE |
| 19             | 682-43659-00-00 | SHAFT, REVERSE LOCK | 1        |                             |
| 20             | 93430-05027-00  | CIRCLIP             | 2        |                             |
| 21             | 90506-29M16-00  | SPRING, TENSION     | 2        |                             |
| 22             | 6G8-43319-03-94 | PLATE               | 1        |                             |
| 23             | 92580-06016-00  | .SCREW              | 1        |                             |
| 24             | 95380-06600-00  | NUT, HEXAGON        | 1        |                             |
| 25             | 6G8-42512-02-94 | PLATE, CONTROL      | 1        |                             |
| 26             | 97095-10020-00  | BOLT                | 1        |                             |
| 27             | 95380-10700-00  | NUT                 | 1        |                             |
| 28             | 90201-10M76-00  | .WASHER, PLATE      | 2        |                             |

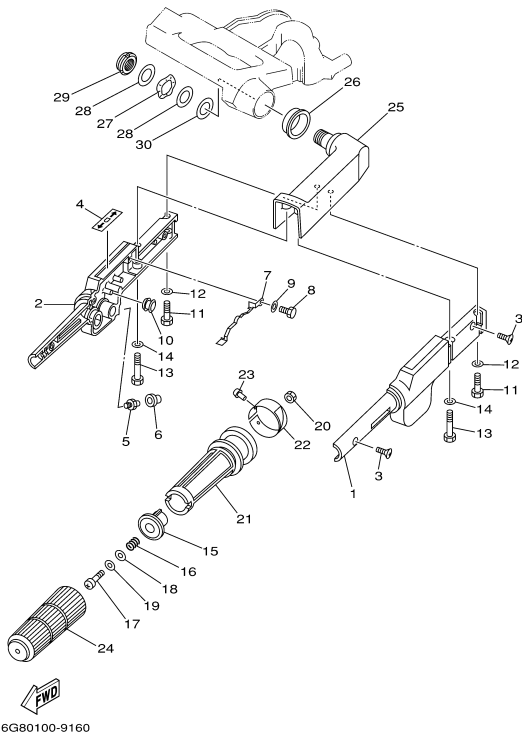
## Part Notes

T9.9ELRX 1999 / BRACKET 2

| PART NUMBER                                                                                       | NOTE TEXT                                                                                          |
|---------------------------------------------------------------------------------------------------|----------------------------------------------------------------------------------------------------|
| 92990-06600-00  | OEM: This part number is among the Top 100 Most Popular Marine Maintenance Parts as of March 2014. |

©2014 Yamaha Motor Corporation, U.S.A. All rights reserved.

T9.9ELRX 1999 / STEERING T9.9MH EH



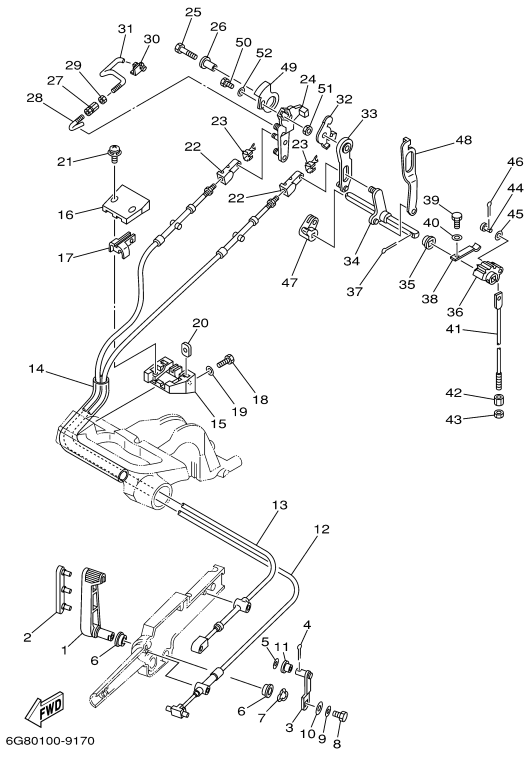
©2014 Yamaha Motor Corporation, U.S.A. All rights reserved.

## Part List

T9.9ELRX 1999 / STEERING T9.9MH EH

| REF<br>-<br>NO | PART<br>NUMBER  | PART NAME                          | QUANTITY | REMARKS |
|----------------|-----------------|------------------------------------|----------|---------|
| 1              | 6G8-42111-01-4D | HANDLE, STEERING                   | 1        |         |
| 2              | 6G8-42112-02-4D | HANDLE, STEERING                   | 1        |         |
| 3              | 98780-05016-00  | .SCREW, FLAT HEAD                  | 2        |         |
| 4              | 6G8-44191-00-00 | INDICATOR, SHIFT                   | 1        |         |
| 5              | 93700-06M03-00  | NIPPLE, GREASE                     | 1        |         |
| 6              | 663-45119-00-00 | CAP, GREASE NIPPLE                 | 1        | AP      |
| 7              | 6G8-42147-01-00 | SPRING                             | 1        |         |
| 8              | 97095-05012-00  | BOLT                               | 1        |         |
| 9              | 92995-05600-00  | WASHER                             | 1        |         |
| 10             | 6H4-42725-00-00 | GROMMET                            | 1        |         |
| 11             | 97095-06025-00  | BOLT                               | 2        |         |
| 12             | 92995-06600-00  | WASHER                             | 2        |         |
| 13             | 97095-06040-00  | .BOLT                              | 2        |         |
| 14             | 92995-06600-00  | WASHER                             | 2        |         |
| 15             | 6G8-42126-01-94 | FRICITION, STEERING<br>HANDLE GRIP | 1        |         |
| 16             | 90501-23M42-00  | SPRING, COMPRESSION                | 1        |         |
| 17             | 97880-06030-00  | SCREW, PAN HEAD                    | 1        |         |
| 18             | 90201-06049-00  | WASHER, PLATE                      | 1        |         |
| 19             | 90202-06007-00  | WASHER, PLATE                      | 1        |         |
| 20             | 95380-06700-00  | NUT                                | 1        |         |
| 21             | 6G8-42119-00-00 | GRIP, STEERING HANDLE              | 1        |         |
| 22             | 6G8-42137-01-00 | INDICATOR, THROTTLE                | 1        |         |
| 23             | 90269-02M09-00  | RIVET                              | 1        |         |
| 24             | 6G8-42177-00-00 | RUBBER, HANDLE                     | 1        |         |
| 25             | 6G8-42113-02-4D | HANDLE, STEERING 3                 | 1        |         |
| 26             | 90386-33M56-00  | BUSH                               | 1        |         |
| 27             | 90206-20M14-00  | WASHER, WAVE                       | 1        |         |
| 28             | 90201-20M00-00  | WASHER, PLATE                      | 2        |         |
| 29             | 90185-20M03-00  | NUT, SELF-LOCKING                  | 1        |         |
| 30             | 90202-20M33-00  | WASHER, PLATE                      | 1        |         |

T9.9ELRX 1999 / CONTROL



©2014 Yamaha Motor Corporation, U.S.A. All rights reserved.


## Part List

T9.9ELRX 1999 / CONTROL

| REF<br>-<br>NO | PART<br>NUMBER  | PART NAME          | QUANTITY | REMARKS |
|----------------|-----------------|--------------------|----------|---------|
| 1              | 6G8-44121-00-98 | LEVER, SHIFT ROD   | 1        | MH,EH   |
| 2              | 6G8-42129-00-00 | BUSHING, RUBBER    | 1        | MH,EH   |
| 3              | 6G8-44123-00-00 | ARM, SHIFT ROD     | 1        | MH,EH   |
| 4              | 91490-16010-00  | PIN, COTTER        | 1        | MH,EH   |
| 5              | 92990-05200-00  | .WASHER, PLAIN     | 1        | MH,EH   |
| 6              | 90386-12069-00  | BUSH               | 2        | MH,EH   |
| 7              | 90206-12052-00  | WASHER, WAVE       | 1        | MH,EH   |
| 8              | 97013-06016-00  | BOLT               | 1        | MH,EH   |
| 9              | 92903-06600-00  | WASHER, PLATE      | 1        | MH,EH   |
| 10             | 90201-06M94-00  | WASHER, PLATE      | 1        | MH,EH   |
| 11             | 90386-05M54-00  | BUSH               | 1        | MH,EH   |
| 12             | 6G8-48311-02-00 | CABLE              | 1        | MH,EH   |
| 13             | 6G8-48321-01-00 | CABLE              | 1        | MH,EH   |
| 14             | 90445-24M00-00  | HOSE (L165)        | 1        | MH,EH   |
| 15             | 6G8-41661-00-98 | BRACKET            | 1        | MH,EH   |
| 16             | 6G8-41662-00-98 | BRACKET            | 1        | MH,EH   |
| 17             | 6G8-41663-00-00 | BRACKET 3          | 1        | MH,EH   |
| 18             | 97095-06016-00  | BOLT               | 2        | MH,EH   |
| 19             | 92995-06600-00  | WASHER             | 2        | MH,EH   |
| 20             | 6G8-41654-00-00 | NUT                | 2        | MH,EH   |
| 21             | 90159-05M06-00  | SCREW, WITH WASHER | 2        | MH,EH   |
| 22             | 6G8-26363-00-00 | .END, WIRE 1       | 2        |         |
| 23             | 6G8-26364-00-00 | .END, CABLE        | 2        |         |
| 24             | 6G8-41212-00-00 | ARM, ACCEL.        | 1        |         |
| 25             | 97013-06030-00  | BOLT               | 1        |         |
| 26             | 90387-06M58-00  | COLLAR             | 1        |         |
| 27             | 6G8-41238-01-00 | JOINT, LINK        | 1        |         |
| 28             | 6G8-41241-01-00 | ROD, LINK          | 1        |         |
| 29             | 95380-04600-00  | .NUT               | 1        |         |
| 30             | 6G8-41237-01-00 | JOINT, LINK        | 1        |         |
| 31             | 6G8-41242-01-00 | ROD 2              | 1        |         |
| 32             | 6G8-14493-00-00 | STAY 1             | 1        |         |
| 33             | 6G8-44111-00-00 | HANDLE, GEAR SHIFT | 1        |         |
| 34             | 6G8-44159-00-00 | HANDLE, GEAR SHIFT | 1        |         |
| 35             | 682-44132-00-00 | BUSHING            | 1        |         |
| 36             | 682-44121-01-00 | LEVER, SHIFT ROD   | 1        |         |
| 37             | 91490-25020-00  | PIN, COTTER        | 1        |         |
| 38             | 682-44116-01-00 | SPRING             | 1        |         |
| 39             | 97095-06014-00  | BOLT               | 1        |         |
| 40             | 92995-06600-00  | WASHER             | 1        |         |
| 41             | 6G8-44143-10-00 | ROD, SHIFT         | 1        |         |
| 42             | 90170-06015-00  | NUT                | 1        |         |
| 43             | 95380-06700-00  | NUT                | 1        |         |
| 44             | 91790-05020-00  | PIN, CLEVIS        | 1        |         |
| 45             | 92990-05600-00  | WASHER, PLATE      | 1        |         |
| 46             | 91490-16010-00  | PIN, COTTER        | 1        |         |
| 47             | 6G8-44125-00-00 | LEVER, SHIFT ROD   | 1        |         |
| 48             | 6G8-44124-11-00 | LINK, SHIFT ROD    | 1        | MH,EH   |
| 49             | 6G8-41212-11-00 | ARM, ACCEL.        | 1        | MH,EH   |
| 50             | 97013-06014-00  | BOLT               | 1        | MH,EH   |
| 51             | 95380-06600-00  | NUT, HEXAGON       | 1        | MH,EH   |
| 52             | 92990-06600-00  | WASHER, PLATE      | 1        | MH,EH   |

## Part Notes

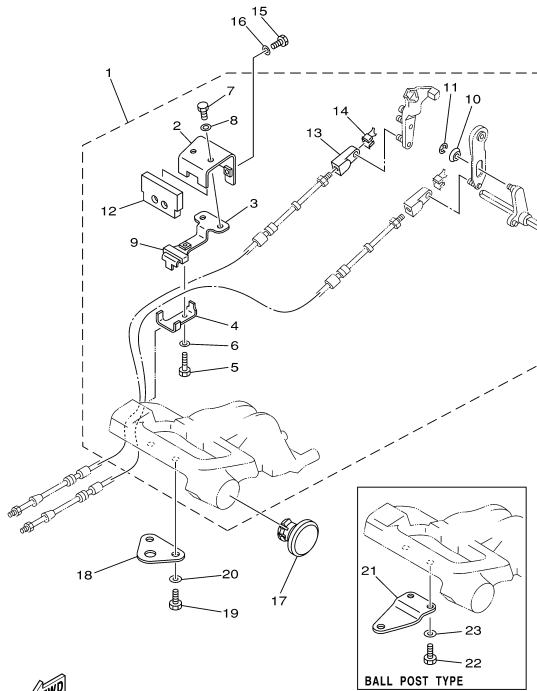
T9.9ELRX 1999 / CONTROL

| PART NUMBER                                                                                        | NOTE TEXT                                                                                          |
|----------------------------------------------------------------------------------------------------|----------------------------------------------------------------------------------------------------|
| 92990-06600-00  | OEM: This part number is among the Top 100 Most Popular Marine Maintenance Parts as of March 2014. |

©2014 Yamaha Motor Corporation, U.S.A. All rights reserved.



T9.9ELRX 1999 / REMO-CON ATTACHMENT



6G90100-9190



## Part List

T9.9ELRX 1999 / REMO-CON ATTACHMENT

| REF<br>-<br>NO | PART<br>NUMBER  | PART NAME                       | QUANTITY | REMARKS                    |
|----------------|-----------------|---------------------------------|----------|----------------------------|
| 1              | 6G8-48501-03-00 | REMOTE CONT.<br>ATTACHMENT ASSY | 1        | AP ER (E)                  |
| 2              | 6G8-48531-51-00 | .BRACKET, REMOTE<br>CONTROL 1   | 1        | (E)                        |
| 3              | 6G8-48532-50-00 | .BRACKET, REMOTE<br>CONTROL 2   | 1        | (E)                        |
| 4              | 6G8-48538-50-00 | .CLAMP, CABLE 1                 | 1        | (E)                        |
| 5              | 97395-06030-00  | .BOLT                           | 1        | (E)                        |
| 6              | 92990-06600-00  | .WASHER, PLATE                  | 1        | (E)                        |
| 7              | 97395-06012-00  | .BOLT                           | 2        | (E)                        |
| 8              | 92990-06600-00  | .WASHER, PLATE                  | 2        | (E)                        |
| 9              | 6G8-48565-50-00 | .GROMMET                        | 1        | (E)                        |
| 10             | 90387-06M73-00  | .COLLAR                         | 1        | (E)                        |
| 11             | 93430-04M03-00  | .CIRCLIP                        | 1        | (E)                        |
| 12             | 6G8-48351-51-00 | .SEAL RUBBER                    | 1        | (E)                        |
| 13             | 6G8-26363-00-00 | .END, WIRE 1                    | 1        | (E)                        |
| 14             | 6G8-26364-00-00 | .END, CABLE                     | 1        | (E)                        |
| 15             | 97095-06016-00  | BOLT                            | 2        | ER (E)                     |
| 16             | 92995-06600-00  | WASHER                          | 2        | ER (E)                     |
| 17             | 6G8-42551-00-00 | GROMMET                         | 1        | ER (E)                     |
| 18             | 6G8-48511-20-00 | HOOK, STEERING                  | 1        | ER STEERING GUIDE TYPE (E) |
| 19             | 97095-06016-00  | BOLT                            | 2        | ER (E)                     |
| 20             | 92995-06600-00  | WASHER                          | 2        | ER (E)                     |
| 21             | 6G8-48511-10-00 | HOOK, STEERING                  | 1        | AP ER BALL POST TYPE (E)   |
| 22             | 97095-06016-00  | BOLT                            | 2        | AP ER (E)                  |
| 23             | 92995-06600-00  | WASHER                          | 2        | AP ER (E)                  |

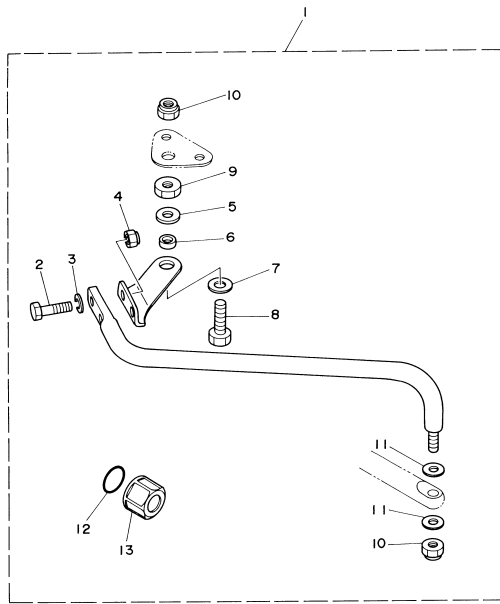
## Part Notes

T9.9ELRX 1999 / REMO-CON ATTACHMENT

| PART NUMBER                                                                                       | NOTE TEXT                                                                                          |
|---------------------------------------------------------------------------------------------------|----------------------------------------------------------------------------------------------------|
| 92990-06600-00   | OEM: This part number is among the Top 100 Most Popular Marine Maintenance Parts as of March 2014. |
| 92990-06600-00  | OEM: This part number is among the Top 100 Most Popular Marine Maintenance Parts as of March 2014. |

©2014 Yamaha Motor Corporation, U.S.A. All rights reserved.

T9.9ELRX 1999 / STEERING GUIDE



6G90100-9200

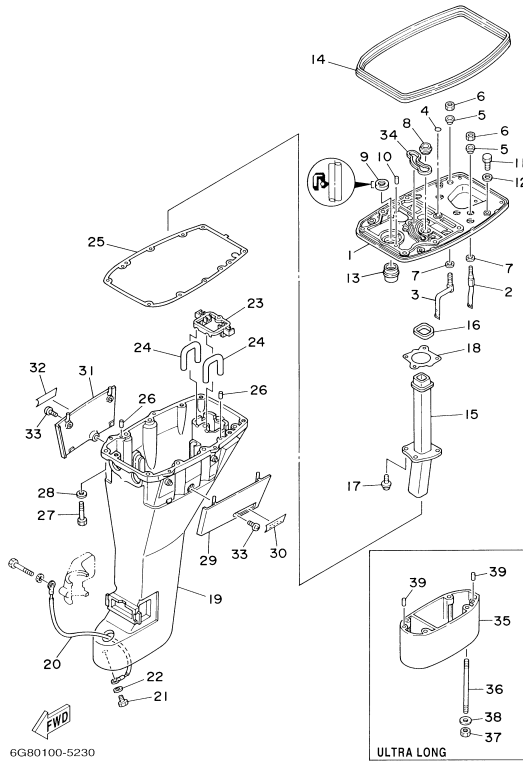
©2014 Yamaha Motor Corporation, U.S.A. All rights reserved.

## Part List

T9.9ELRX 1999 / STEERING GUIDE

| REF<br>-<br>NO | PART<br>NUMBER  | PART NAME                        | QUANTITY | REMARKS   |
|----------------|-----------------|----------------------------------|----------|-----------|
| 1              | 6G8-61350-00-00 | STEERING GUIDE<br>ATTACHMENT KIT | 1        | AP ER (E) |
| 2              | 97075-08025-00  | .BOLT                            | 2        | (E)       |
| 3              | 92995-08600-00  | .WASHER                          | 2        | (E)       |
| 4              | 90185-08057-00  | .NUT, SELF-LOCKING               | 2        | (E)       |
| 5              | 90201-10M04-00  | .WASHER, PLATE                   | 1        | (E)       |
| 6              | 90387-10M06-00  | .COLLAR                          | 1        | (E)       |
| 7              | 90201-10M63-00  | .WASHER, PLATE                   | 1        | (E)       |
| 8              | 6E5-61355-00-00 | .BOLT                            | 1        | (E)       |
| 9              | 90170-09M03-00  | .NUT                             | 1        | (E)       |
| 10             | 90185-09M01-00  | .NUT, SELF-LOCKING               | 2        | (E)       |
| 11             | 90201-10M20-00  | .WASHER, PLATE                   | 2        | (E)       |
| 12             | 93210-16275-00  | .O-RING                          | 1        | (E)       |
| 13             | 6E5-43145-01-00 | .CAP, CLAMP BRACKET              | 1        | (E)       |

T9.9ELRX 1999 / UPPER CASING



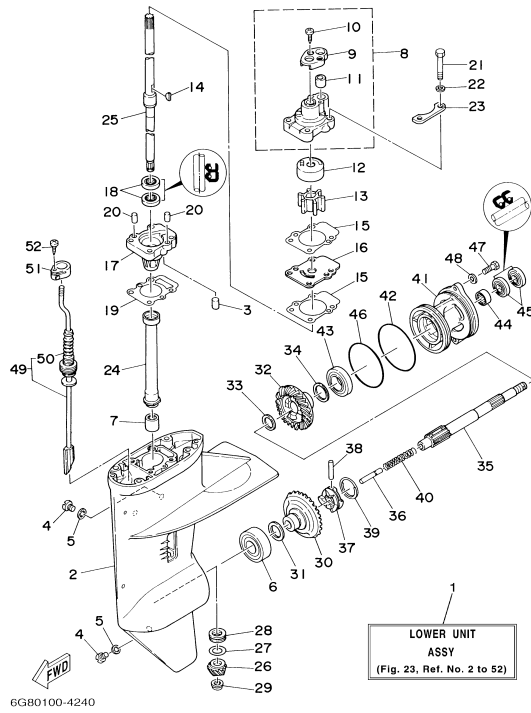
©2014 Yamaha Motor Corporation, U.S.A. All rights reserved.

## Part List

T9.9ELRX 1999 / UPPER CASING

| REF<br>-<br>NO | PART<br>NUMBER  | PART NAME                     | QUANTITY | REMARKS |
|----------------|-----------------|-------------------------------|----------|---------|
| 1              | 6G8-41137-04-94 | GUIDE, EXHAUST                | 1        |         |
| 2              | 6G8-12483-00-00 | PIPE 3                        | 1        |         |
| 3              | 6G8-12484-00-00 | PIPE 4                        | 1        |         |
| 4              | 93210-08M60-00  | O-RING                        | 1        |         |
| 5              | 90386-10M70-00  | BUSH                          | 2        |         |
| 6              | 95380-10700-00  | NUT                           | 2        |         |
| 7              | 90202-10M03-00  | WASHER, PLATE                 | 2        |         |
| 8              | 6G8-44367-00-00 | DAMPER, WATER SEAL            | 1        |         |
| 9              | 93101-13M27-00  | O-RING                        | 1        |         |
| 10             | 93606-12019-00  | .PIN, DOWEL                   | 2        |         |
| 11             | 97013-06020-00  | BOLT                          | 2        |         |
| 12             | 92903-06600-00  | WASHER, PLATE                 | 2        |         |
| 13             | 6G8-45135-00-00 | PIPE                          | 1        |         |
| 14             | 6G8-42716-00-00 | RUBBER, SEAL 1                | 1        |         |
| 15             | 6G8-41131-01-00 | MANIFOLD, EXT. 1              | 1        |         |
| 16             | 6G8-41138-00-00 | SEAL, EXT. 1                  | 1        |         |
| 17             | 90105-06M33-00  | BOLT, FLANGE                  | 4        |         |
| 18             | 6G8-41133-A0-00 | GASKET, EXHAUST<br>MANIFOLD 1 | 1        |         |
| 19             | 6G8-45111-13-4D | CASING, UPPER                 | 1        |         |
| 20             | 6G8-82149-00-00 | WIRE, LEAD 3                  | 1        |         |
| 21             | 97095-06012-00  | BOLT                          | 1        |         |
| 22             | 92995-06600-00  | WASHER                        | 1        |         |
| 23             | 6G8-45151-10-00 | COVER, UPPER CASING           | 1        |         |
| 24             | 6G8-45136-00-00 | PIPE                          | 2        |         |
| 25             | 6G8-45113-A1-00 | .GASKET, UPPER CASING         | 1        |         |
| 26             | 93606-12019-00  | .PIN, DOWEL                   | 2        |         |
| 27             | 97095-08040-00  | BOLT                          | 6        |         |
| 28             | 92995-08600-00  | WASHER                        | 6        |         |
| 29             | 6G8-42741-00-4D | APRON                         | 1        |         |
| 30             | 6G8-42791-00-00 | MARK 1                        | 1        |         |
| 31             | 6G8-42771-00-4D | APRON                         | 1        |         |
| 32             | 6G8-42792-00-00 | MARK                          | 1        |         |
| 33             | 90157-06M04-00  | SCREW, PAN HEAD               | 2        |         |
| 34             | 6G8-11355-00-00 | SEAL, CYLINDER 1              | 1        |         |
| 35             | 6G8-45211-20-4D | EXTENSION                     | 1        | X       |
| 36             | 90116-08M19-00  | BOLT, STUD                    | 4        | X       |
| 37             | 95380-08600-00  | NUT                           | 4        | X       |
| 38             | 92990-08600-00  | ..WASHER, PLATE               | 4        | X       |
| 39             | 93606-12019-00  | .PIN, DOWEL                   | 2        | X       |

T9.9ELRX 1999 / LOWER CASING DRIVE 1



©2014 Yamaha Motor Corporation, U.S.A. All rights reserved.


## Part List

T9.9ELRX 1999 / LOWER CASING DRIVE 1

| REF<br>-<br>NO | PART<br>NUMBER  | PART NAME                     | QUANTITY | REMARKS |
|----------------|-----------------|-------------------------------|----------|---------|
| 1              | 6G8-45300-16-4D | LOWER UNIT ASSY               | 1        | UR L    |
| 1              | 6G8-45300-26-4D | LOWER UNIT ASSY               | 1        | UR X    |
| 2              | 6G8-45311-04-4D | CASING, LOWER                 | 1        |         |
| 3              | 93604-08062-00  | PIN, DOWEL                    | 1        |         |
| 4              | 90340-08M04-00  | PLUG, STRAIGHT SCREW          | 3        |         |
| 5              | 90430-08020-00  | .GASKET                       | 3        |         |
| 6              | 93332-00005-00  | BEARING                       | 1        |         |
| 7              | 93315-213V4-00  | BEARING                       | 1        |         |
| 8              | 682-44300-01-00 | HOUSING, WATER PUMP           | 1        |         |
| 9              | 682-44312-00-00 | .COVER, WATER PUMP<br>HOUSING | 1        |         |
| 10             | 97780-40112-00  | .SCREW, TAPPING               | 2        |         |
| 11             | 682-44365-00-00 | .DAMPER, WATER SEAL           | 1        |         |
| 12             | 682-44322-00-00 | INSERT, CARTRIDGE             | 1        |         |
| 13             | 682-44323-01-00 | IMPELLER                      | 1        |         |
| 14             | 90280-03024-00  | .KEY, WOODRUFF                | 1        |         |
| 15             | 682-44315-A0-00 | GASKET, WATER PUMP            | 2        |         |
| 16             | 682-44323-00-00 | OUTER PLATE, CARTRIDGE        | 1        |         |
| 17             | 6G8-45331-00-5B | HOUSING, BEARING              | 1        |         |
| 18             | 93101-20048-00  | .OIL SEAL                     | 2        |         |
| 19             | 6G8-45315-A0-00 | PACKING, LOWER CASING         | 1        |         |
| 20             | 93606-12019-00  | .PIN, DOWEL                   | 2        |         |
| 21             | 97095-06045-00  | .BOLT                         | 4        |         |
| 22             | 92995-06600-00  | WASHER                        | 4        |         |
| 23             | 682-44328-00-00 | PLATE                         | 2        |         |
| 24             | 6G8-45536-00-00 | SLEEVE, DRIVE SHAFT           | 1        |         |
| 25             | 6G8-45501-20-00 | DRIVE SHAFT COMP.             | 1        | UR X    |
| 25             | 6G8-45501-10-00 | DRIVE SHAFT COMP.             | 1        | UR L    |
| 26             | 6G8-45551-00-00 | PINION (13T)                  | 1        |         |
| 27             | 6G8-45587-00-10 | SHIM (T:0.10MM)               | 1        | UR      |
| 27             | 6G8-45587-00-14 | SHIM (T:0.14MM)               | 1        | UR      |
| 27             | 6G8-45587-00-18 | SHIM (T:0.18MM)               | 1        | UR      |
| 27             | 6G8-45587-00-35 | SHIM (T:0.35MM)               | 1        | UR      |
| 27             | 6G8-45587-00-50 | SHIM (T:0.50MM)               | 1        | UR      |
| 28             | 93341-313U3-00  | BEARING                       | 1        |         |
| 29             | 90179-08M06-00  | NUT                           | 1        |         |
| 30             | 6G8-45560-00-00 | GEAR                          | 1        |         |
| 31             | 626-45577-00-01 | SHIM (T:0.10MM)               | 1        | UR      |
| 31             | 626-45577-00-03 | SHIM (T:0.30MM)               | 1        | UR      |
| 31             | 626-45577-00-05 | SHIM (T:0.50MM)               | 1        | UR      |
| 32             | 6G8-45571-00-00 | GEAR 2 (38T)                  | 1        |         |
| 33             | 90201-17682-00  | WASHER, PLATE                 | 1        |         |
| 34             | 626-45577-00-01 | SHIM (T:0.10MM)               | 1        | UR      |
| 34             | 626-45577-00-03 | SHIM (T:0.30MM)               | 1        | UR      |
| 34             | 626-45577-00-05 | SHIM (T:0.50MM)               | 1        | UR      |
| 35             | 6G8-45611-00-00 | SHAFT, PROPELLER              | 1        |         |
| 36             | 650-45635-00-00 | PLUNGER, SHIFT                | 1        |         |
| 37             | 682-45631-00-00 | CLUTCH, DOG                   | 1        |         |
| 38             | 90250-05010-00  | PIN, STRAIGHT                 | 1        |         |
| 39             | 648-45633-00-00 | RING, CROSS PIN               | 1        |         |
| 40             | 90501-14M06-00  | SPRING, COMPRESSION           | 1        |         |
| 41             | 6G8-45361-01-4D | CAP, LOWER CASING             | 1        |         |
| 42             | 93210-74316-00  | .O-RING                       | 1        |         |
| 43             | 93306-00501-00  | BEARING                       | 1        |         |
| 44             | 93315-317U2-00  | BEARING                       | 1        |         |
| 45             | 93101-17054-00  | .OIL SEAL                     | 2        |         |
| 46             | 93210-74M68-00  | .O-RING                       | 1        |         |
| 47             | 97095-06020-00  | BOLT                          | 2        |         |
| 48             | 92995-06600-00  | WASHER                        | 2        |         |
| 49             | 6G8-44150-10-00 | SHIFT CAM ASSY                | 1        | UR L    |
| 49             | 6G8-44150-20-00 | SHIFT CAM ASSY                | 1        | UR X    |
| 50             | 682-44147-00-00 | .BOOT, SHIFT ROD              | 1        |         |
| 51             | 682-44176-00-00 | BRACKET                       | 1        |         |
| 52             | 97780-50510-00  | SCREW, TAPPING                | 1        |         |

## Part Notes

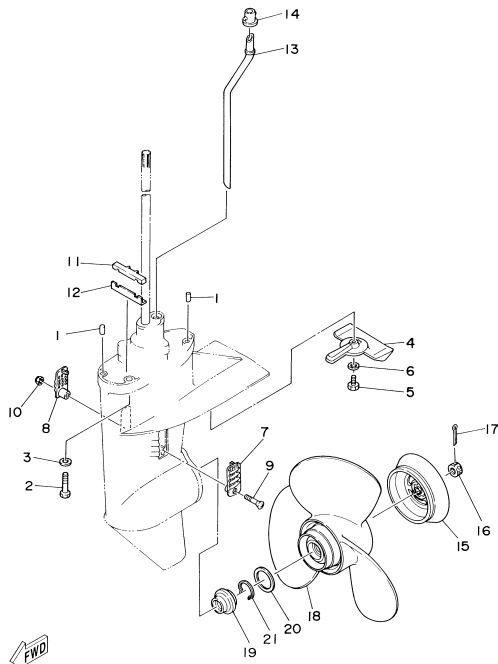
T9.9ELRX 1999 / LOWER CASING DRIVE 1

| PART NUMBER                                                                                        | NOTE TEXT                                                                                          |
|----------------------------------------------------------------------------------------------------|----------------------------------------------------------------------------------------------------|
| 90430-08020-00  | OEM: This part number is among the Top 100 Most Popular Marine Maintenance Parts as of March 2014. |

©2014 Yamaha Motor Corporation, U.S.A. All rights reserved.



T9.9ELRX 1999 / LOWER CASING DRIVE 2



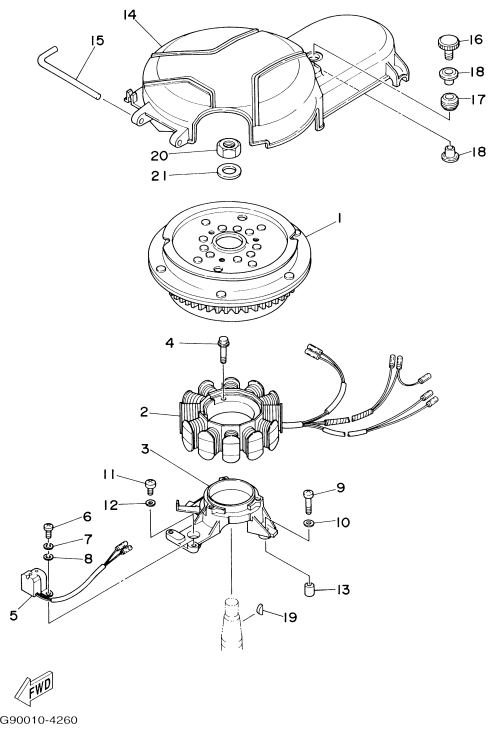
6G80100-4250

## Part List

T9.9ELRX 1999 / LOWER CASING DRIVE 2

| REF<br>-<br>NO | PART<br>NUMBER  | PART NAME                      | QUANTITY | REMARKS      |
|----------------|-----------------|--------------------------------|----------|--------------|
| 1              | 93606-12019-00  | .PIN, DOWEL                    | 2        |              |
| 2              | 97075-08035-00  | BOLT                           | 4        |              |
| 3              | 92995-08600-00  | WASHER                         | 4        |              |
| 4              | 6G8-45251-00-00 | ANODE                          | 1        |              |
| 5              | 95895-06020-00  | BOLT, FLANGE                   | 1        |              |
| 6              | 92990-06300-00  | WASHER, INTERNAL TOOTH         | 1        |              |
| 7              | 6G8-45214-00-00 | COVER, WATER INLET 1           | 1        |              |
| 8              | 6G8-45215-00-00 | COVER, WATER INLET 2           | 1        |              |
| 9              | 98180-05025-00  | SCREW, OVAL HEAD               | 1        |              |
| 10             | 90185-05002-00  | NUT, NYLON                     | 1        |              |
| 11             | 682-45375-01-00 | DAMPER, SEAL                   | 1        |              |
| 12             | 682-45376-01-00 | GUIDE, SEAL DAMPER             | 1        |              |
| 13             | 6G8-44361-20-00 | TUBE, WATER                    | 1        | UR X         |
| 13             | 6G8-44361-10-00 | TUBE, WATER                    | 1        | UR L         |
| 14             | 626-44365-01-00 | DAMPER, WATER SEAL             | 1        |              |
| 15             | 6G8-45986-00-00 | RING, DEFLECTOR                | 1        |              |
| 16             | 90171-10M07-00  | NUT, CASTLE                    | 1        |              |
| 17             | 91490-30025-00  | PIN. COTTER                    | 1        |              |
| 18             | 6G8-45947-00-EL | PROPELLER (3X11-3/4"X9-1/4"-R) | 1        | UR ALUMINIUM |
| 18             | 6G8-45945-00-00 | PROPELLER(3X11-3/4"X12-1/4"-R) | 1        | UR           |
| 18             | 6G8-45941-00-00 | PROPELLER (3X11" X 11-3/4"-R)  | 1        | UR           |
| 18             | 6G8-45943-00-00 | PROPELLER (3X11-3/4"X9-1/4"-R) | 1        | UR           |
| 19             | 6G8-45987-02-00 | SPACER 1                       | 1        |              |
| 20             | 90201-31MA3-00  | WASHER, PLATE                  | 1        |              |
| 21             | 93450-10M04-00  | CIRCLIP                        | 1        |              |

T9.9ELRX 1999 / GENERATOR



©2014 Yamaha Motor Corporation, U.S.A. All rights reserved.



## Part List

T9.9ELRX 1999 / GENERATOR

| REF<br>-<br>NO | PART<br>NUMBER  | PART NAME       | QUANTITY | REMARKS      |
|----------------|-----------------|-----------------|----------|--------------|
| 1              | 6G8-85550-11-00 | ROTOR ASSY      | 1        | UR MH (M)    |
| 1              | 6G8-85550-01-00 | ROTOR ASSY      | 1        | UR EH,ER (E) |
| 2              | 6G8-85510-01-00 | STATOR ASSY     | 1        |              |
| 3              | 6G8-85561-00-94 | BASE, MAGNETO   | 1        |              |
| 4              | 95023-06025-00  | BOLT            | 3        |              |
| 5              | 6G8-85580-02-00 | COIL, PULSER    | 1        |              |
| 6              | 97880-05012-00  | SCREW, PAN HEAD | 2        |              |
| 7              | 92990-05100-00  | .WASHER, SPRING | 2        |              |
| 8              | 92990-05600-00  | WASHER, PLATE   | 2        |              |
| 9              | 97880-06025-00  | SCREW, PAN HEAD | 2        |              |
| 10             | 92990-06600-00  | WASHER, PLATE   | 2        |              |
| 11             | 97880-06020-00  | SCREW, PAN HEAD | 1        |              |
| 12             | 92990-06600-00  | WASHER, PLATE   | 1        |              |
| 13             | 99530-08012-00  | PIN, DOWEL      | 2        |              |
| 14             | 6G8-81337-01-00 | COVER, FLYWHEEL | 1        |              |
| 15             | 6G8-42752-00-00 | SHAFT           | 1        |              |
| 16             | 6G8-81323-00-00 | SCREW 1         | 1        |              |
| 17             | 90480-15M31-00  | GROMMET         | 1        |              |
| 18             | 90387-06M71-00  | COLLAR          | 2        |              |
| 19             | 90280-05013-00  | KEY, WOODRUFF   | 1        |              |
| 20             | 90170-12066-00  | NUT             | 1        |              |
| 21             | 90201-12472-00  | WASHER, PLATE   | 1        |              |

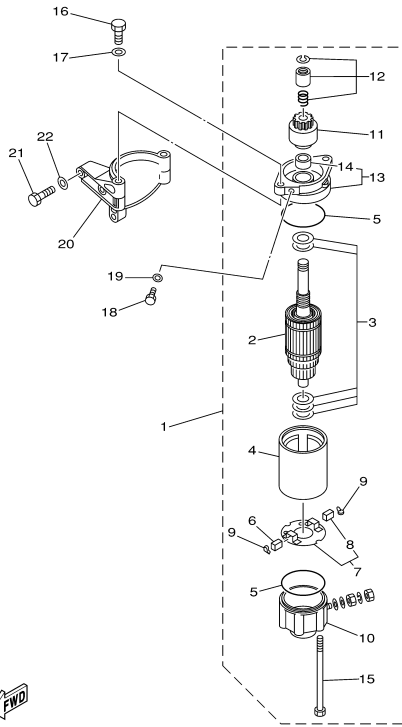
## Part Notes

T9.9ELRX 1999 / GENERATOR

| PART NUMBER                                                                                      | NOTE TEXT                                                                                          |
|--------------------------------------------------------------------------------------------------|----------------------------------------------------------------------------------------------------|
| 92990-06600-00  | OEM: This part number is among the Top 100 Most Popular Marine Maintenance Parts as of March 2014. |
| 92990-06600-00  | OEM: This part number is among the Top 100 Most Popular Marine Maintenance Parts as of March 2014. |

©2014 Yamaha Motor Corporation, U.S.A. All rights reserved.

T9.9ELRX 1999 / STARTING MOTOR T9.9EH ER



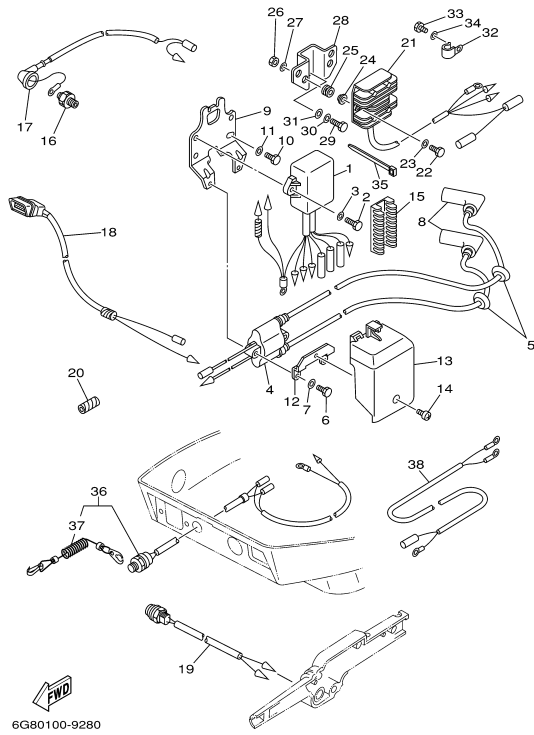
 6G90100-8270

## Part List

T9.9ELRX 1999 / STARTING MOTOR T9.9EH ER

| REF<br>-<br>NO | PART<br>NUMBER  | PART NAME                     | QUANTITY | REMARKS |
|----------------|-----------------|-------------------------------|----------|---------|
| 1              | 6G8-81800-11-00 | STARTING MOTOR ASSY           | 1        | (E)     |
| 2              | 689-81850-12-00 | .ARMATURE ASSY                | 1        | (E)     |
| 3              | 689-81809-11-00 | .WASHER KIT                   | 1        | (E)     |
| 4              | 689-81810-11-00 | .STATOR ASSY                  | 1        | (E)     |
| 5              | 689-81847-11-00 | .O-RING                       | 2        | (E)     |
| 6              | 689-81811-11-00 | .BRUSH 1                      | 1        | (E)     |
| 7              | 689-81840-11-00 | .BRUSH HOLDER ASSY            | 1        | (E)     |
| 8              | 689-81812-11-00 | ..BRUSH 2                     | 1        | (E)     |
| 9              | 689-81813-10-00 | .SPRING, BRUSH                | 2        | (E)     |
| 10             | 689-81820-11-00 | .REAR BRACKET ASSY            | 1        | (E)     |
| 11             | 689-81807-12-00 | .GEAR ASSY, STARTING<br>MOTOR | 1        | (E)     |
| 12             | 689-81857-11-00 | .PINION STOPPER SET           | 1        | (E)     |
| 13             | 6F5-81830-11-00 | .FRONT BRACKET ASSY           | 1        | (E)     |
| 14             | 689-81831-00-00 | ..METAL, FRONT                | 1        | (E)     |
| 15             | 689-81826-10-00 | .BOLT                         | 2        | (E)     |
| 16             | 97075-08025-00  | BOLT                          | 2        | (E)     |
| 17             | 92995-08600-00  | WASHER                        | 2        | (E)     |
| 18             | 97095-08016-00  | BOLT                          | 1        | (E)     |
| 19             | 92995-08600-00  | WASHER                        | 1        | (E)     |
| 20             | 6G8-81822-40-94 | BRACKET, STARTING MOTOR       | 1        | (E)     |
| 21             | 97013-08030-00  | BOLT                          | 3        | (E)     |
| 22             | 92903-08600-00  | WASHER, PLATE                 | 3        | (E)     |

T9.9ELRX 1999 / ELECTRICAL 1



©2014 Yamaha Motor Corporation, U.S.A. All rights reserved.



## Part List

T9.9ELRX 1999 / ELECTRICAL 1

| REF<br>-<br>NO | PART<br>NUMBER  | PART NAME                     | QUANTITY | REMARKS             |
|----------------|-----------------|-------------------------------|----------|---------------------|
| 1              | 6G8-85540-23-00 | C.D.I. UNIT ASSY              | 1        |                     |
| 2              | 97095-06020-00  | BOLT                          | 2        |                     |
| 3              | 92995-06600-00  | WASHER                        | 2        |                     |
| 4              | 6G8-85570-21-00 | IGNITION COIL ASSY            | 1        |                     |
| 5              | 90480-25161-00  | GROMMET                       | 2        |                     |
| 6              | 97095-06025-00  | BOLT                          | 2        |                     |
| 7              | 92995-06600-00  | WASHER                        | 2        |                     |
| 8              | 6G8-82370-30-00 | PLUG CAP ASSY                 | 2        |                     |
| 9              | 6G8-85542-00-00 | BRACKET                       | 1        |                     |
| 10             | 97095-06020-00  | BOLT                          | 2        |                     |
| 11             | 92995-06600-00  | WASHER                        | 2        |                     |
| 12             | 6G8-85525-00-00 | PLATE                         | 1        |                     |
| 13             | 6G8-81916-00-00 | COVER, TERMINAL               | 1        |                     |
| 14             | 98980-06008-00  | SCREW, BIND                   | 1        |                     |
| 15             | 6G8-82522-00-00 | CLAMP, COUPLER                | 1        |                     |
| 16             | 6G8-82504-00-00 | OIL PRESSURE SWITCH ASSY      | 1        |                     |
| 17             | 6G8-82127-00-00 | WIRE, LEAD 2                  | 1        |                     |
| 18             | 6G8-83582-01-00 | PILOT LIGHT ASSY              | 1        | MH,EH               |
| 19             | 6G8-82550-10-00 | ENGINE STOP SWITCH ASSY       | 1        | MH,EH               |
| 20             | 90446-10M02-00  | HOSE                          | 1        |                     |
| 21             | 6G8-81960-00-00 | RECTIFIER & REGULATOR<br>ASSY | 1        |                     |
| 22             | 97095-06025-00  | BOLT                          | 2        |                     |
| 23             | 92995-06600-00  | WASHER                        | 2        |                     |
| 24             | 90387-06M70-00  | COLLAR                        | 2        |                     |
| 25             | 90480-13M24-00  | GROMMET                       | 2        |                     |
| 26             | 95380-06700-00  | NUT                           | 2        |                     |
| 27             | 92990-06600-00  | WASHER, PLATE                 | 2        |                     |
| 28             | 6G8-81948-02-00 | BRACKET                       | 1        |                     |
| 29             | 97095-06020-00  | BOLT                          | 1        |                     |
| 30             | 92995-06100-00  | WASHER, SPRING                | 1        |                     |
| 31             | 92995-06600-00  | WASHER                        | 1        |                     |
| 32             | 90465-08M75-00  | CLAMP                         | 1        |                     |
| 33             | 97013-06012-00  | BOLT                          | 1        |                     |
| 34             | 92903-06600-00  | WASHER, PLATE                 | 1        |                     |
| 35             | 90465-13M11-00  | CLAMP                         | 1        |                     |
| 36             | 6G8-82575-00-00 | ENGINE STOP SWITCH ASSY       | 1        | MH,EH               |
| 37             | 682-82556-00-00 | .LANYARD, STOP SWITCH         | 1        | (M)                 |
| 38             | 6G8-81949-00-00 | WIRE, LEAD                    | 1        | AP FOR CHARGING (M) |

## Part Notes

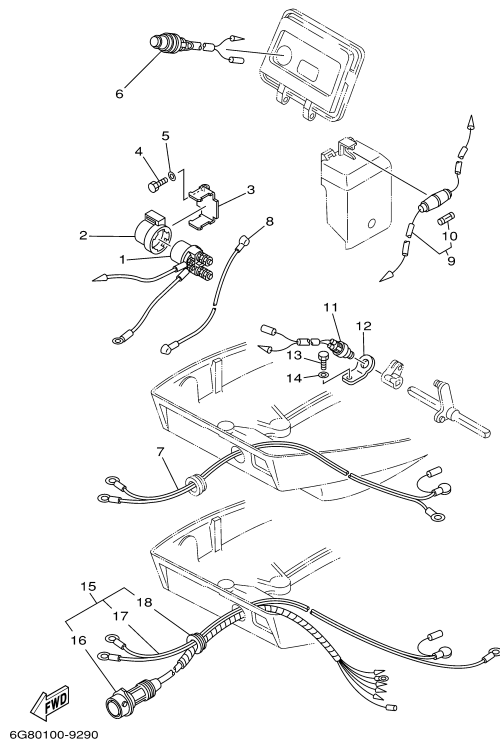
T9.9ELRX 1999 / ELECTRICAL 1

| PART NUMBER                                                                                         | NOTE TEXT                                                                                          |
|-----------------------------------------------------------------------------------------------------|----------------------------------------------------------------------------------------------------|
| 92990-06600-00   | OEM: This part number is among the Top 100 Most Popular Marine Maintenance Parts as of March 2014. |
| 682-82556-00-00  | OEM: This part number is among the Top 100 Most Popular Marine Maintenance Parts as of March 2014. |

©2014 Yamaha Motor Corporation, U.S.A. All rights reserved.



T9.9ELRX 1999 / ELECTRICAL 2



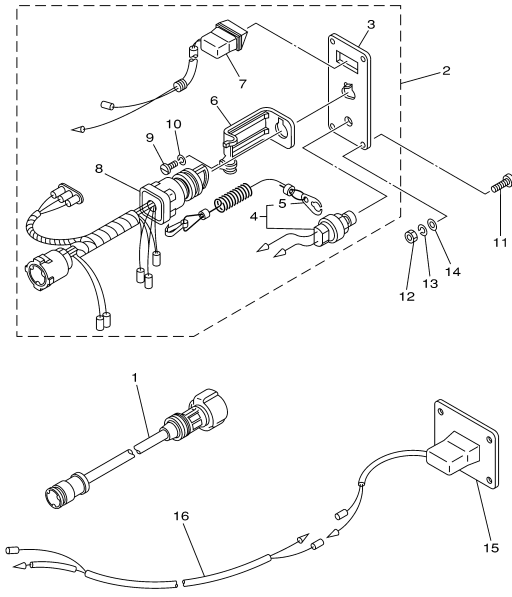
©2014 Yamaha Motor Corporation, U.S.A. All rights reserved.

## Part List

T9.9ELRX 1999 / ELECTRICAL 2

| REF<br>-<br>NO | PART<br>NUMBER  | PART NAME            | QUANTITY | REMARKS   |
|----------------|-----------------|----------------------|----------|-----------|
| 1              | 6J0-81941-10-00 | STARTER RELY ASSY    | 1        | EH,ER (E) |
| 2              | 6G1-81952-00-00 | HOLDER, RELAY        | 1        | EH,ER (E) |
| 3              | 6G8-81953-00-00 | STAY, RELAY          | 1        | EH,ER (E) |
| 4              | 97095-06012-00  | BOLT                 | 1        | EH,ER (E) |
| 5              | 92995-06600-00  | WASHER               | 1        | EH,ER (E) |
| 6              | 6G8-81870-00-00 | STARTING SWITCH ASSY | 1        | EH (E)    |
| 7              | 6G8-82105-01-00 | BATTERY CABLE        | 1        | EH (E)    |
| 8              | 6G8-82117-00-00 | WIRE, LEAD           | 1        | EH,ER (E) |
| 9              | 6G8-82150-00-00 | FUSE HOLDER ASSY     | 1        |           |
| 10             | 663-82151-00-00 | .FUSE (12V-20A)      | 1        |           |
| 11             | 6H3-82540-00-00 | NEUTRAL SWITCH ASSY  | 1        | EH,ER (E) |
| 12             | 6G8-82554-00-00 | STAY, NEUTRAL SWITCH | 1        | EH,ER (E) |
| 13             | 97095-06012-00  | BOLT                 | 1        | EH,ER (E) |
| 14             | 92995-06600-00  | WASHER               | 1        | EH,ER (E) |
| 15             | 6G8-82580-00-00 | WIRE HARNESS ASSY 2  | 1        | ER (E)    |
| 16             | 6G8-82590-00-00 | .WIRE HARNESS ASSY   | 1        | ER (E)    |
| 17             | 6G8-82105-01-00 | .BATTERY CABLE       | 1        | ER (E)    |
| 18             | 6G8-42724-50-00 | .GROMMET             | 1        | ER (E)    |

T9.9ELRX 1999 / ELECTRICAL 3 T9.9ER



  
6G80100-9300


Part List

T9.9ELRX 1999 / ELECTRICAL 3 T9.9ER

| REF - NO | PART NUMBER     | PART NAME                    | QUANTITY | REMARKS         |
|----------|-----------------|------------------------------|----------|-----------------|
| 1        | 688-82586-50-00 | EXTENSION, WIRE HARNESS (5M) | 1        | AP L:5M(7P) (E) |
| 2        | 6G8-82570-02-00 | PANEL SWITCH ASSY            | 1        | AP (E)          |
| 3        | 6G8-82571-01-00 | .PANEL, SWITCH               | 1        | (E)             |
| 4        | 688-82575-01-00 | .ENGINE STOP SWITCH ASSY     | 1        | (E)             |
| 5        | 682-82556-00-00 | ..LANYARD, STOP SWITCH       | 1        | (E)             |
| 6        | 663-82581-01-00 | .STAY, CORD CLAMP            | 1        | (E)             |
| 7        | 6G8-83582-01-00 | .PILOT LIGHT ASSY            | 1        | (E)             |
| 8        | 6G8-82510-00-00 | .MAIN SWITCH ASSY            | 1        | (E)             |
| 9        | 98903-04008-00  | .SCREW, BIND                 | 1        | (E)             |
| 10       | 92903-04100-00  | .WASHER                      | 1        | (E)             |
| 11       | 90149-05M05-00  | SCREW                        | 4        | AP (E)          |
| 12       | 95380-05600-00  | NUT                          | 4        | AP (E)          |
| 13       | 92990-05100-00  | .WASHER, SPRING              | 4        | AP (E)          |
| 14       | 92990-05600-00  | WASHER, PLATE                | 4        | AP (E)          |
| 15       | 6G8-83530-00-00 | PILOT LIGHT ASSY             | 1        | (E)             |
| 16       | 6G8-82541-00-00 | WIRE, LEAD                   | 1        | (E)             |

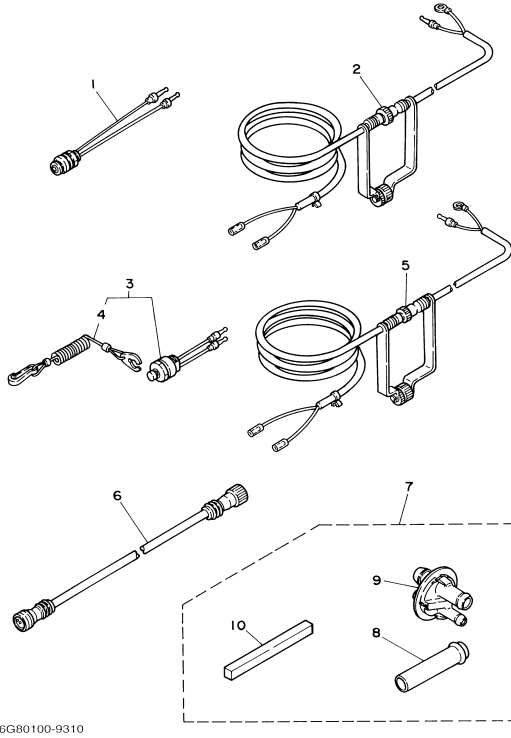
Part Notes

T9.9ELRX 1999 / ELECTRICAL 3 T9.9ER

| PART NUMBER                                                                                       | NOTE TEXT                                                                                          |
|---------------------------------------------------------------------------------------------------|----------------------------------------------------------------------------------------------------|
| 682-82556-00-00  | OEM: This part number is among the Top 100 Most Popular Marine Maintenance Parts as of March 2014. |

©2014 Yamaha Motor Corporation, U.S.A. All rights reserved.

T9.9ELRX 1999 / OPTIONAL PARTS T9.9ER



6G80100-9310


## Part List

T9.9ELRX 1999 / OPTIONAL PARTS T9.9ER

| REF<br>-<br>NO | PART<br>NUMBER  | PART NAME               | QUANTITY | REMARKS |
|----------------|-----------------|-------------------------|----------|---------|
| 1              | 689-82550-11-00 | ENGINE STOP SWITCH ASSY | 1        | AP (E)  |
| 2              | 6A0-82553-20-00 | EXTENSION, WIRE LEAD    | 1        | AP (E)  |
| 3              | 689-82575-13-00 | ENGINE STOP SWITCH ASSY | 1        | AP (E)  |
| 4              | 682-82556-00-00 | .LANYARD, STOP SWITCH   | 1        | (E)     |
| 5              | 6A0-82553-20-00 | EXTENSION, WIRE LEAD    | 1        | AP (E)  |
| 6              | 689-82553-10-00 | EXTENSION, WIRE LEAD    | 1        | AP (E)  |
| 7              | 6G8-W4537-00-00 | WELL-TYPE EXHAUST KIT   | 1        | AP (E)  |
| 8              | 6G8-14611-00-00 | .PIPE, EXHAUST 1        | 1        | (E)     |
| 9              | 6G8-44391-10-00 | .NIPPLE, HOSE           | 1        | (E)     |
| 10             | 6G8-45375-10-00 | .DAMPER, SEAL           | 1        | (E)     |

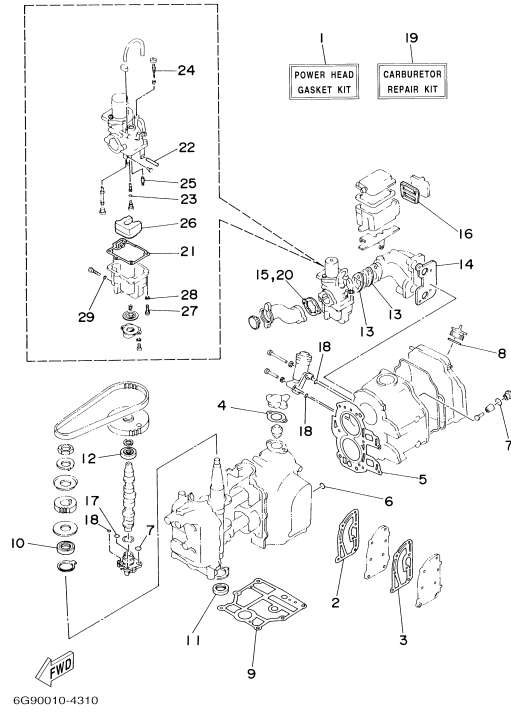
## Part Notes

T9.9ELRX 1999 / OPTIONAL PARTS T9.9ER

| PART NUMBER                                                                                       | NOTE TEXT                                                                                          |
|---------------------------------------------------------------------------------------------------|----------------------------------------------------------------------------------------------------|
| 682-82556-00-00  | OEM: This part number is among the Top 100 Most Popular Marine Maintenance Parts as of March 2014. |

©2014 Yamaha Motor Corporation, U.S.A. All rights reserved.

T9.9ELRX 1999 / REPAIR KIT 1



6G90010-4310

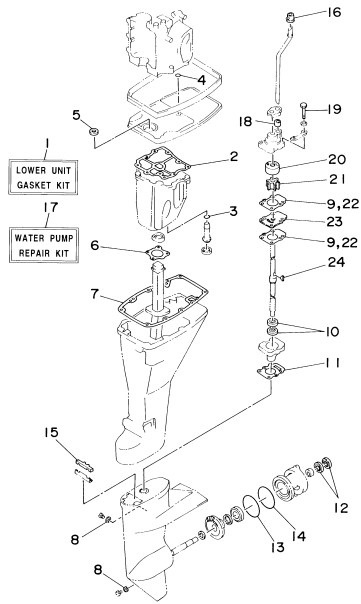
## Part List

T9.9ELRX 1999 / REPAIR KIT 1

| REF<br>-<br>NO | PART<br>NUMBER  | PART NAME                       | QUANTITY | REMARKS |
|----------------|-----------------|---------------------------------|----------|---------|
| 1              | 6G8-W0001-A3-00 | POWER HEAD GASKET KIT           | 1        |         |
| 2              | 6G8-41112-02-00 | .GASKET, EXHAUST INNER<br>COVER | 1        |         |
| 3              | 6G8-41114-00-00 | .GASKET, EXHAUST OUTER<br>COVER | 1        |         |
| 4              | 6G8-12414-A0-00 | .GASKET, COVER                  | 1        |         |
| 5              | 6G8-11181-A1-00 | .GASKET, CYLINDER HEAD 1        | 1        |         |
| 6              | 93210-11M59-00  | .O-RING                         | 1        |         |
| 7              | 93210-13M63-00  | .O-RING                         | 3        |         |
| 8              | 93210-24M79-00  | .O-RING                         | 1        |         |
| 9              | 6G8-11351-A0-00 | .GASKET, CYLINDER               | 1        |         |
| 10             | 93102-30M22-00  | .OIL SEAL                       | 1        |         |
| 11             | 93101-25M24-00  | .OIL SEAL                       | 1        |         |
| 12             | 93102-18M21-00  | .OIL SEAL                       | 1        |         |
| 13             | 6G8-13646-A0-00 | .GASKET, MANIFOLD 2             | 2        |         |
| 14             | 6G8-13645-00-00 | .GASKET, MANIFOLD 1             | 1        |         |
| 15             | 6G8-14198-A0-00 | .GASKET                         | 1        |         |
| 16             | 6G8-15374-00-00 | .GASKET, BREATHER               | 1        |         |
| 17             | 93210-10M61-00  | .O-RING                         | 1        |         |
| 18             | 93210-09M01-00  | .O-RING                         | 3        |         |
| 19             | 6G8-W0093-03-00 | CARBURETOR REPAIR KIT           | 1        |         |
| 20             | 6G8-14198-A0-00 | .GASKET                         | 1        |         |
| 21             | 6G8-14384-01-00 | .GASKET, FLOAT CHAMBER          | 1        |         |
| 22             | 647-14386-00-00 | .PIN, FLOAT                     | 1        |         |
| 23             | 654-14198-00-00 | .GASKET                         | 1        |         |
| 24             | 6G8-14323-00-00 | .SCREW, AIR ADJUSTING           | 1        |         |
| 25             | 6G8-14392-00-00 | .VALVE, NEEDLE                  | 1        |         |
| 26             | 6G8-14385-00-00 | .FLOAT                          | 1        |         |
| 27             | 98580-04014-00  | .SCREW, PAN HEAD                | 1        |         |
| 28             | 92903-04100-00  | .WASHER                         | 1        |         |
| 29             | 5Y1-14397-00-00 | .O-RING                         | 1        |         |



T9.9ELRX 1999 / REPAIR KIT 2




  
6GB0100-4330

©2014 Yamaha Motor Corporation, U.S.A. All rights reserved.

Part List T9.9ELRX 1999 / REPAIR KIT 2

| REF - NO | PART NUMBER     | PART NAME                   | QUANTITY | REMARKS |
|----------|-----------------|-----------------------------|----------|---------|
| 1        | 6G8-W0001-C6-00 | LOWER UNIT GASKET KIT       | 1        |         |
| 2        | 6G8-15312-A1-00 | .GASKET, OIL PAN            | 1        |         |
| 3        | 93210-16M64-00  | .O-RING                     | 1        |         |
| 4        | 93210-08M60-00  | .O-RING                     | 1        |         |
| 5        | 93101-13M27-00  | .O-RING                     | 1        |         |
| 6        | 6G8-41133-A0-00 | .GASKET, EXHAUST MANIFOLD 1 | 1        |         |
| 7        | 6G8-45113-A1-00 | .GASKET, UPPER CASING       | 1        |         |
| 8        | 90430-08020-00  | .GASKET                     | 3        |         |
| 9        | 682-44315-A0-00 | .GASKET, WATER PUMP         | 2        |         |
| 10       | 93101-20048-00  | .OIL SEAL                   | 2        |         |
| 11       | 6G8-45315-A0-00 | .PACKING, LOWER CASING      | 1        |         |
| 12       | 93101-17054-00  | .OIL SEAL                   | 2        |         |
| 13       | 93210-74M68-00  | .O-RING                     | 1        |         |
| 14       | 93210-74316-00  | .O-RING                     | 1        |         |
| 15       | 682-45375-01-00 | .DAMPER, SEAL               | 1        |         |
| 16       | 626-44365-01-00 | .DAMPER, WATER SEAL         | 1        |         |
| 17       | 682-W0078-A2-00 | WATER PUMP REPAIR KIT       | 1        |         |
| 18       | 682-44365-00-00 | .DAMPER, WATER SEAL         | 1        |         |
| 19       | 97095-06045-00  | .BOLT                       | 4        |         |
| 20       | 682-44322-00-00 | .INSERT, CARTRIDGE          | 1        |         |
| 21       | 682-44352-01-00 | .IMPELLER                   | 1        |         |
| 22       | 682-44315-A0-00 | .GASKET, WATER PUMP         | 2        |         |
| 23       | 682-44323-00-00 | .OUTER PLATE, CARTRIDGE     | 1        |         |
| 24       | 90280-03024-00  | .KEY, WOODRUFF              | 1        |         |

Part Notes T9.9ELRX 1999 / REPAIR KIT 2

| PART NUMBER                                                                                      | NOTE TEXT                                                                                          |
|--------------------------------------------------------------------------------------------------|----------------------------------------------------------------------------------------------------|
| 90430-08020-00  | OEM: This part number is among the Top 100 Most Popular Marine Maintenance Parts as of March 2014. |

©2014 Yamaha Motor Corporation, U.S.A. All rights reserved.

©2014 Yamaha Motor Corporation, U.S.A. All rights reserved.