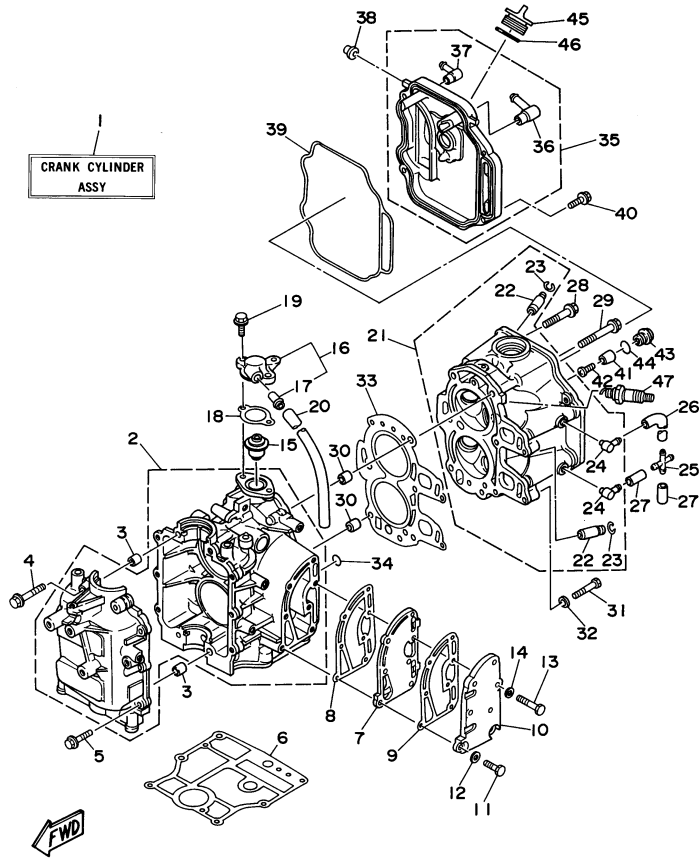


T9.9ELRV 1997 / CYLINDER CRANKCASE



©2014 Yamaha Motor Corporation, U.S.A. All rights reserved.




## Part List

T9.9ELRV 1997 / CYLINDER CRANKCASE

| REF<br>-<br>NO | PART<br>NUMBER  | PART NAME                      | QUANTITY | REMARKS |
|----------------|-----------------|--------------------------------|----------|---------|
| 1              | 6G8-W0090-33-4D | CRANK CYLINDER ASSEMBLY        | 1        |         |
| 2              | 6G8-15100-05-94 | CRANKCASE ASSEMBLY             | 1        |         |
| 3              | 99510-10114-00  | PIN, DOWEL                     | 2        |         |
| 4              | 90119-08M18-00  | BOLT, WITH WASHER              | 4        |         |
| 5              | 90119-06M12-00  | BOLT, WITH WASHER              | 6        |         |
| 6              | 6G8-11351-A0-00 | GASKET, CYLINDER               | 1        |         |
| 7              | 6G8-41111-02-9M | INNER COVER, EXHAUST           | 1        |         |
| 8              | 6G8-41112-02-00 | GASKET, EXHAUST INNER<br>COVER | 1        |         |
| 9              | 6G8-41114-00-00 | GASKET, EXHAUST OUTER<br>COVER | 1        |         |
| 10             | 6G8-41113-10-9M | OUTER COVER, EXHAUST           | 1        |         |
| 11             | 97095-06025-00  | BOLT                           | 2        |         |
| 12             | 92990-06600-00  | WASHER, PLATE                  | 2        |         |
| 13             | 97095-06030-00  | BOLT                           | 5        |         |
| 14             | 92990-06600-00  | WASHER, PLATE                  | 5        |         |
| 15             | 6G8-12411-02-00 | THERMOSTAT                     | 1        |         |
| 16             | 6G8-12413-00-9M | COVER, THERMOSTAT              | 1        |         |
| 17             | 6E5-24377-00-00 | .PIPE, JOINT 2                 | 1        |         |
| 18             | 6G8-12414-A0-00 | .GASKET, COVER                 | 1        |         |
| 19             | 97595-06520-00  | BOLT, WITH WASHER              | 2        |         |
| 20             | 90445-11M66-00  | .HOSE (L410)                   | 1        |         |
| 21             | 6G8-11111-03-94 | HEAD, CYLINDER 1               | 1        |         |
| 22             | 6G8-11133-10-00 | .GUIDE, VALVE 1                | 4        |         |
| 23             | 93450-09M01-00  | .CIRCLIP                       | 4        |         |
| 24             | 676-11372-00-00 | .NIPPLE, HOSE                  | 2        |         |
| 25             | 6G9-24379-00-00 | PIPE, JOINT 4                  | 1        |         |
| 26             | 6G8-12481-01-00 | PIPE 1                         | 1        |         |
| 27             | 90445-09078-00  | HOSE                           | 2        |         |
| 28             | 90105-08M37-00  | BOLT, FLANGE                   | 3        |         |
| 29             | 90105-08M36-00  | BOLT, FLANGE                   | 3        |         |
| 30             | 99510-10114-00  | PIN, DOWEL                     | 2        |         |
| 31             | 97014-06035-00  | BOLT, HEXAGON                  | 2        |         |
| 32             | 92990-06600-00  | WASHER, PLATE                  | 2        |         |
| 33             | 6G8-11181-A1-00 | GASKET, CYLINDER HEAD 1        | 1        |         |
| 34             | 93210-11M59-00  | O-RING                         | 1        |         |
| 35             | 6G8-11191-01-94 | COVER, CYLINDER HEAD 1         | 1        |         |
| 36             | 6G8-15373-00-00 | .PIPE, BREATHER                | 1        |         |
| 37             | 676-11372-00-00 | .NIPPLE, HOSE                  | 1        |         |
| 38             | 6G8-81336-00-00 | GROMMET                        | 2        |         |
| 39             | 6G8-11356-00-00 | SEAL, CYLINDER 2               | 1        |         |
| 40             | 97595-06520-00  | BOLT, WITH WASHER              | 4        |         |
| 41             | 6G8-11325-00-00 | ANODE                          | 1        |         |
| 42             | 98580-05525-00  | SCREW, PAN HEAD                | 1        |         |
| 43             | 6G8-11197-00-00 | PLUG, BLIND                    | 1        |         |
| 44             | 93210-13M63-00  | .O-RING                        | 1        |         |
| 45             | 6G8-15363-00-00 | PLUG, OIL                      | 1        |         |
| 46             | 93210-25070-00  | O-RING                         | 1        |         |
| 47             | NGK-CR6HS-00-00 | PLUG SPARK (NGK CR6HS)         | 2        |         |

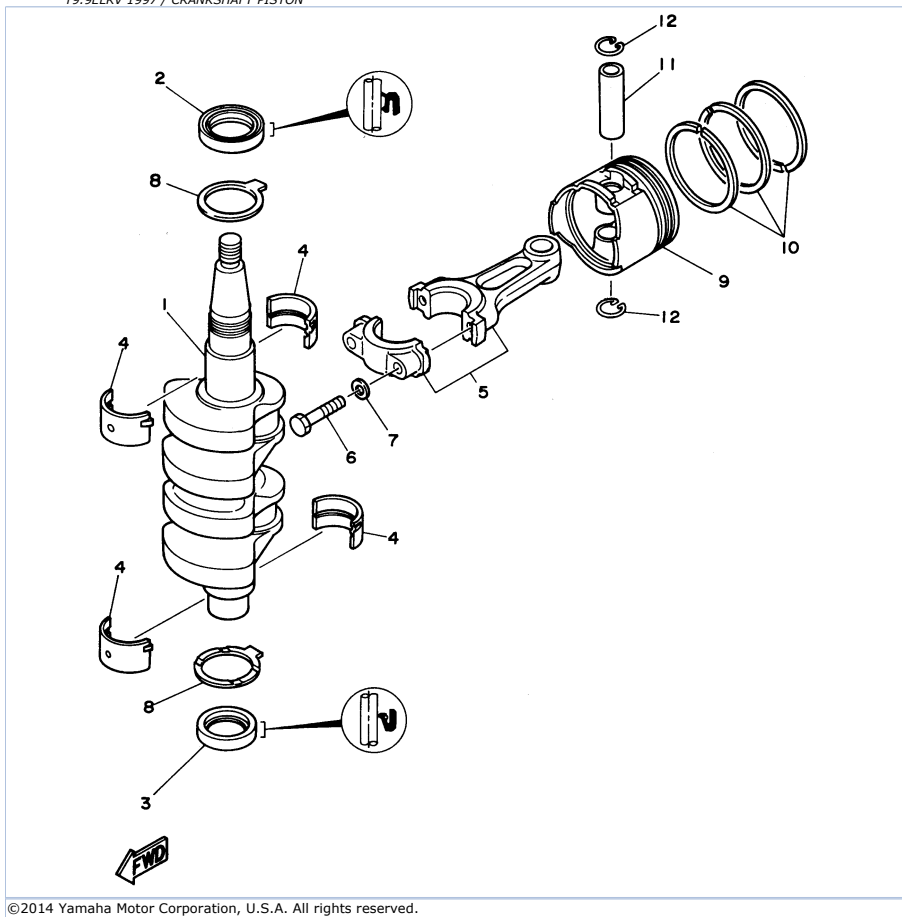
## Part Notes

T9.9ELRV 1997 / CYLINDER CRANKCASE

| PART NUMBER  | NOTE TEXT  |
|--|--|
| 92990-06600-00  | OEM: This part number is among the Top 100 Most Popular Marine Maintenance Parts as of March 2014. |
| 92990-06600-00  | OEM: This part number is among the Top 100 Most Popular Marine Maintenance Parts as of March 2014. |
| 92990-06600-00  | OEM: This part number is among the Top 100 Most Popular Marine Maintenance Parts as of March 2014. |

©2014 Yamaha Motor Corporation, U.S.A. All rights reserved.

T9.9ELRV 1997 / CRANKSHAFT PISTON



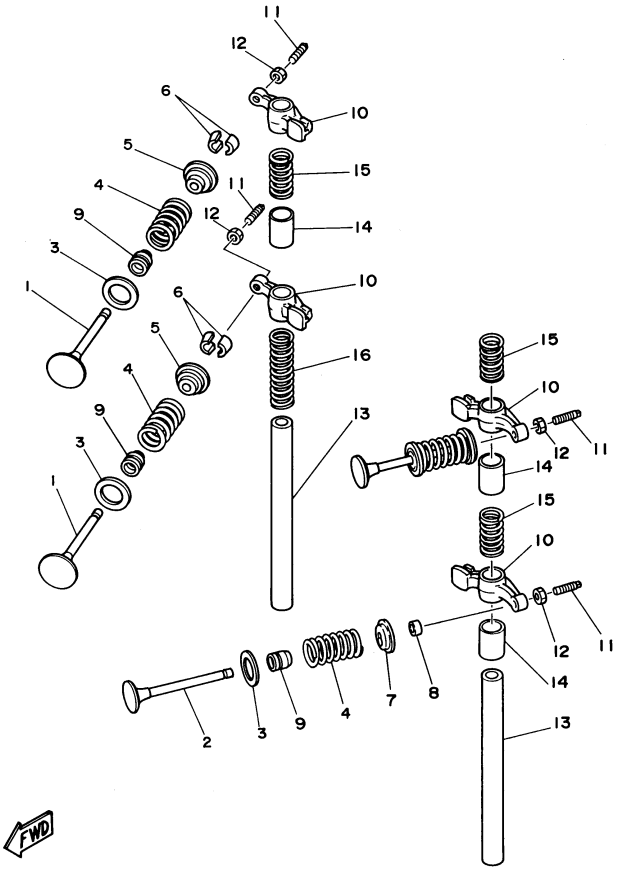
©2014 Yamaha Motor Corporation, U.S.A. All rights reserved.

## Part List

T9.9ELRV 1997 / CRANKSHAFT PISTON

| REF<br>-<br>NO | PART<br>NUMBER  | PART NAME                       | QUANTITY | REMARKS  |
|----------------|-----------------|---------------------------------|----------|----------|
| 1              | 6G8-11411-04-00 | CRANKSHAFT                      | 1        |          |
| 2              | 93102-30M22-00  | .OIL SEAL                       | 1        |          |
| 3              | 93101-25M24-00  | OIL SEAL                        | 1        |          |
| 4              | 6G8-11416-10-00 | PLANE BEARING,<br>CRANKSHAFT 1  | 4        | UR BLACK |
| 4              | 6G8-11416-00-00 | PLANE BEARING,<br>CRANKSHAFT 1  | 4        | UR BROWN |
| 4              | 6G8-11416-20-00 | PLANE BEARING,<br>CRANKSHAFT 1  | 4        | UR BLUE  |
| 5              | 6G8-11650-03-00 | CONNECTING ROD ASSY             | 2        |          |
| 6              | 6G8-11654-00-00 | BOLT, CONNECTING ROD            | 4        |          |
| 7              | 90201-06M00-00  | WASHER, PLATE                   | 4        |          |
| 8              | 6G8-11426-00-00 | PLANE BEARING,<br>CRANKSHAFT 1  | 2        |          |
| 9              | 6G8-11631-03-96 | PISTON (STD)                    | 2        |          |
| 9              | 6G8-11636-03-00 | PISTON (0.50MM O/S)             | 2        | AP       |
| 10             | 6G8-11610-02-00 | PISTON RING SET (STD)           | 2        |          |
| 10             | 6G8-11610-22-00 | PISTON RING SET (0.50MM<br>O/S) | 2        | AP       |
| 11             | 634-11633-00-00 | PIN, PISTON                     | 2        |          |
| 12             | 93450-15023-00  | CIRCLIP                         | 4        |          |

T9.9ELRV 1997 / VALVE



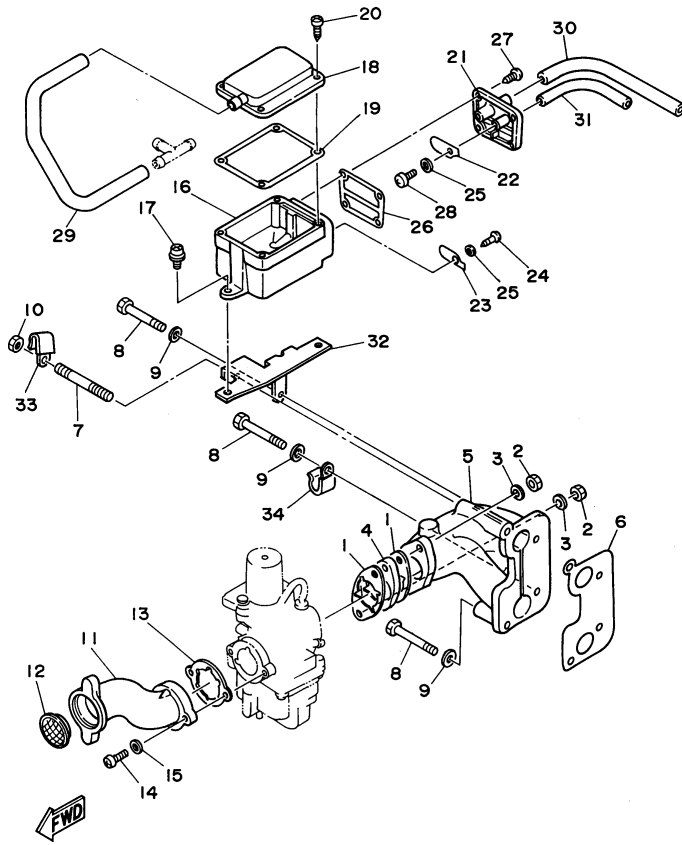
©2014 Yamaha Motor Corporation, U.S.A. All rights reserved.

## Part List

T9.9ELRV 1997 / VALVE

| REF<br>-<br>NO | PART<br>NUMBER  | PART NAME                      | QUANTITY | REMARKS |
|----------------|-----------------|--------------------------------|----------|---------|
| 1              | 6G8-12111-00-00 | VALVE, INTAKE                  | 2        |         |
| 2              | 6G8-12121-01-00 | VALVE, EXHAUST                 | 2        |         |
| 3              | 6G8-12116-00-00 | SEAT, VALVE SPRING             | 4        |         |
| 4              | 6G8-12113-00-00 | SPRING, VALVE INNER            | 4        |         |
| 5              | 6G8-12117-00-00 | RETAINER, VALVE SPRING         | 2        |         |
| 6              | 30X-12118-00-00 | LOCK, VALVE SPRING<br>RETAINER | 4        |         |
| 7              | 6G8-12117-10-00 | RETAINER, VALVE SPRING         | 2        |         |
| 8              | 6G8-12153-00-00 | LIFTER, VALVE                  | 2        |         |
| 9              | 51Y-12119-00-00 | SEAL, VALVE STEM               | 4        |         |
| 10             | 6G8-12151-00-00 | ARM, VALVE ROCKER              | 4        |         |
| 11             | 6G8-12159-00-00 | SCREW, VALVE ADJUSTING         | 4        |         |
| 12             | 6G8-12158-00-00 | NUT, LOCK                      | 4        |         |
| 13             | 6G8-12146-00-00 | SHAFT, ROCKER                  | 2        |         |
| 14             | 90387-13M56-00  | COLLAR                         | 3        |         |
| 15             | 90501-12M40-00  | SPRING, COMPRESSION            | 3        |         |
| 16             | 90501-12M41-00  | SPRING, COMPRESSION            | 1        |         |

T9.9ELRV 1997 / INTAKE



©2014 Yamaha Motor Corporation, U.S.A. All rights reserved.



## Part List

T9.9ELRV 1997 / INTAKE

| REF<br>-<br>NO | PART<br>NUMBER  | PART NAME                | QUANTITY | REMARKS |
|----------------|-----------------|--------------------------|----------|---------|
| 1              | 6G8-13646-A0-00 | GASKET, MANIFOLD 2       | 2        |         |
| 2              | 95380-06700-00  | NUT                      | 2        |         |
| 3              | 92990-06600-00  | WASHER, PLATE            | 2        |         |
| 4              | 6G8-13647-00-00 | GASKET, MANIFOLD 3       | 1        |         |
| 5              | 6G8-13641-01-94 | MANIFOLD 1               | 1        |         |
| 6              | 6G8-13645-00-00 | GASKET, MANIFOLD 1       | 1        |         |
| 7              | 90116-06M15-00  | BOLT, STUD               | 1        |         |
| 8              | 97095-06045-00  | .BOLT                    | 3        |         |
| 9              | 92990-06600-00  | WASHER, PLATE            | 3        |         |
| 10             | 95380-06700-00  | NUT                      | 1        |         |
| 11             | 6G8-14479-02-94 | FUNNEL                   | 1        |         |
| 12             | 6G8-14478-00-00 | LOUVER                   | 1        |         |
| 13             | 6G8-14198-A0-00 | .GASKET                  | 1        |         |
| 14             | 98580-05016-00  | SCREW, PAN HEAD          | 2        |         |
| 15             | 92990-05600-00  | WASHER, PLATE            | 2        |         |
| 16             | 6G8-15358-00-00 | SEPARATOR, OIL           | 1        |         |
| 17             | 90159-06M05-00  | SCREW, WITH WASHER       | 2        |         |
| 18             | 6G8-15368-00-94 | SEPERATOR, OIL           | 1        |         |
| 19             | 6G8-15369-00-00 | GASKET, OIL SEAL HOUSING | 1        |         |
| 20             | 97780-40112-00  | SCREW, TAPPING           | 4        |         |
| 21             | 6G8-15371-00-94 | BREATHER                 | 1        |         |
| 22             | 6G8-15346-00-00 | BREATHER 1               | 1        |         |
| 23             | 6G8-15347-00-00 | BREATHER 2               | 1        |         |
| 24             | 97780-40112-00  | SCREW, TAPPING           | 1        |         |
| 25             | 92990-04200-00  | WASHER                   | 2        |         |
| 26             | 6G8-15374-00-00 | GASKET, BREATHER         | 1        |         |
| 27             | 97780-40112-00  | SCREW, TAPPING           | 4        |         |
| 28             | 98507-04010-00  | SCREW, PAN HEAD          | 1        |         |
| 29             | 6G8-15393-00-00 | PIPE, BREATHER 2         | 1        |         |
| 30             | 90445-11M52-00  | HOSE (L150)              | 1        |         |
| 31             | 90445-09078-00  | HOSE                     | 1        |         |
| 32             | 6G8-15376-00-00 | HOLDER, GUIDE            | 1        |         |
| 33             | 90465-08028-00  | CLAMP                    | 1        |         |
| 34             | 90465-08028-00  | CLAMP                    | 1        |         |

## Part Notes

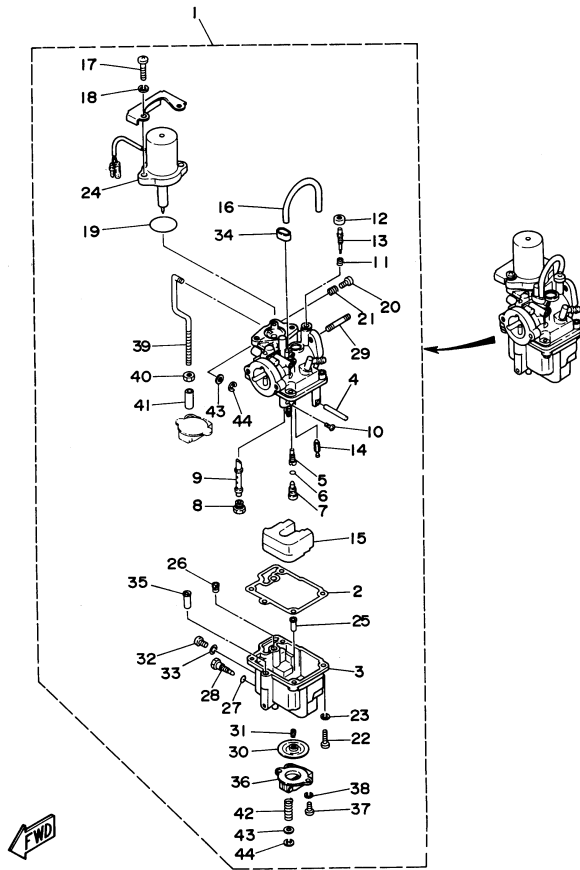
T9.9ELRV 1997 / INTAKE

| PART NUMBER    |   | NOTE TEXT  |
|----------------|---|--|
| 92990-06600-00 |  | OEM: This part number is among the Top 100 Most Popular Marine Maintenance Parts as of March 2014. |
| 92990-06600-00 |  | OEM: This part number is among the Top 100 Most Popular Marine Maintenance Parts as of March 2014. |

©2014 Yamaha Motor Corporation, U.S.A. All rights reserved.



T9.9ELRV 1997 / CARBURETOR



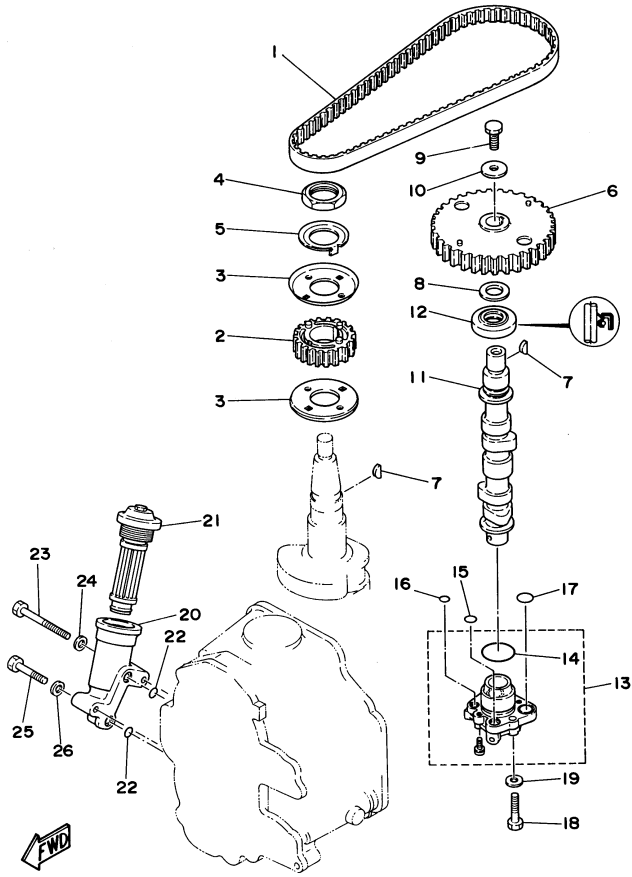
©2014 Yamaha Motor Corporation, U.S.A. All rights reserved.

## Part List

T9.9ELRV 1997 / CARBURETOR

| REF<br>-<br>NO | PART<br>NUMBER  | PART NAME                | QUANTITY | REMARKS |
|----------------|-----------------|--------------------------|----------|---------|
| 1              | 6G8-14301-05-00 | CARBURETOR ASSEMBLY 1    | 1        |         |
| 2              | 6G8-14384-01-00 | .GASKET, FLOAT CHAMBER   | 1        |         |
| 3              | 6G8-14381-02-00 | .BODY, FLOAT CHAMBER     | 1        |         |
| 4              | 647-14386-10-00 | .PIN, FLOAT              | 1        |         |
| 5              | 6G8-14342-24-00 | .JET, PILOT (#48)        | 1        |         |
| 6              | 654-14198-00-00 | .GASKET                  | 1        |         |
| 7              | 6G8-14345-00-00 | .PLUG, MAIN NOZZLE       | 1        |         |
| 8              | 648-14343-43-00 | .JET, MAIN (#86)         | 1        |         |
| 9              | 6G8-14341-20-00 | .NOZZLE, MAIN            | 1        |         |
| 10             | 6G8-14216-00-00 | .SCREW                   | 1        |         |
| 11             | 647-14334-00-00 | .SPRING                  | 1        |         |
| 12             | 6G8-14997-00-00 | .SEAL                    | 1        |         |
| 13             | 6G8-14323-00-00 | .SCREW, AIR ADJUSTING    | 1        |         |
| 14             | 6G8-14392-00-00 | .VALVE, NEEDLE           | 1        |         |
| 15             | 6G8-14385-00-00 | .FLOAT                   | 1        |         |
| 16             | 6G8-14197-01-00 | .PIPE                    | 1        |         |
| 17             | 97880-06018-00  | .SCREW, PAN HEAD         | 2        |         |
| 18             | 92995-06100-00  | .WASHER, SPRING          | 2        |         |
| 19             | 1HV-14147-00-00 | .O-RING                  | 1        |         |
| 20             | 664-14321-01-00 | .SCREW, THROTTLE         | 1        |         |
| 21             | 646-14212-00-00 | .SPRING, PILOT ADJUSTING | 1        |         |
| 22             | 98580-04016-00  | .SCREW, PAN HEAD         | 4        |         |
| 23             | 92990-04100-00  | .WASHER, SPRING          | 4        |         |
| 24             | 6G8-1410A-01-00 | .STARTER SET             | 1        |         |
| 25             | 6G8-14827-00-00 | .FILTER                  | 1        |         |
| 26             | 6A4-14344-30-00 | .JET, STARTER (#60)      | 1        |         |
| 27             | 5Y1-14397-00-00 | .O-RING                  | 1        |         |
| 28             | 6G8-14383-00-00 | .SCREW, DRAIN            | 1        |         |
| 29             | 90116-06M26-00  | .BOLT, STUD              | 2        |         |
| 30             | 6G8-14368-02-00 | .DIAPHRAGM ASSEMBLY      | 1        |         |
| 31             | 6G8-14275-01-00 | .SPRING                  | 1        |         |
| 32             | 97890-05006-00  | .SCREW, PAN HEAD         | 1        |         |
| 33             | 646-14198-01-00 | .GASKET                  | 1        |         |
| 34             | 6G8-14349-00-00 | .PIPE                    | 1        |         |
| 35             | 6G8-14217-00-00 | .VALVE, CHOKE            | 1        |         |
| 36             | 6G8-14293-03-00 | .COVER 1                 | 1        |         |
| 37             | 98580-04010-00  | .SCREW, PAN HEAD         | 2        |         |
| 38             | 92990-04100-00  | .WASHER, SPRING          | 2        |         |
| 39             | 6G8-14379-00-00 | .ROD, STARTER            | 1        |         |
| 40             | 98813-03100-00  | .NUT                     | 1        |         |
| 41             | 6G8-14229-00-00 | .SHAFT, CHOKE            | 1        |         |
| 42             | 6G8-14286-01-00 | .SPRING                  | 1        |         |
| 43             | 6G8-14357-00-00 | .WASHER, PLAIN           | 2        |         |
| 44             | 389-14137-00-00 | .CLIP                    | 2        |         |

T9.9ELRV 1997 / OIL PUMP






©2014 Yamaha Motor Corporation, U.S.A. All rights reserved.

Part List *T9.9ELRV 1997 / OIL PUMP*

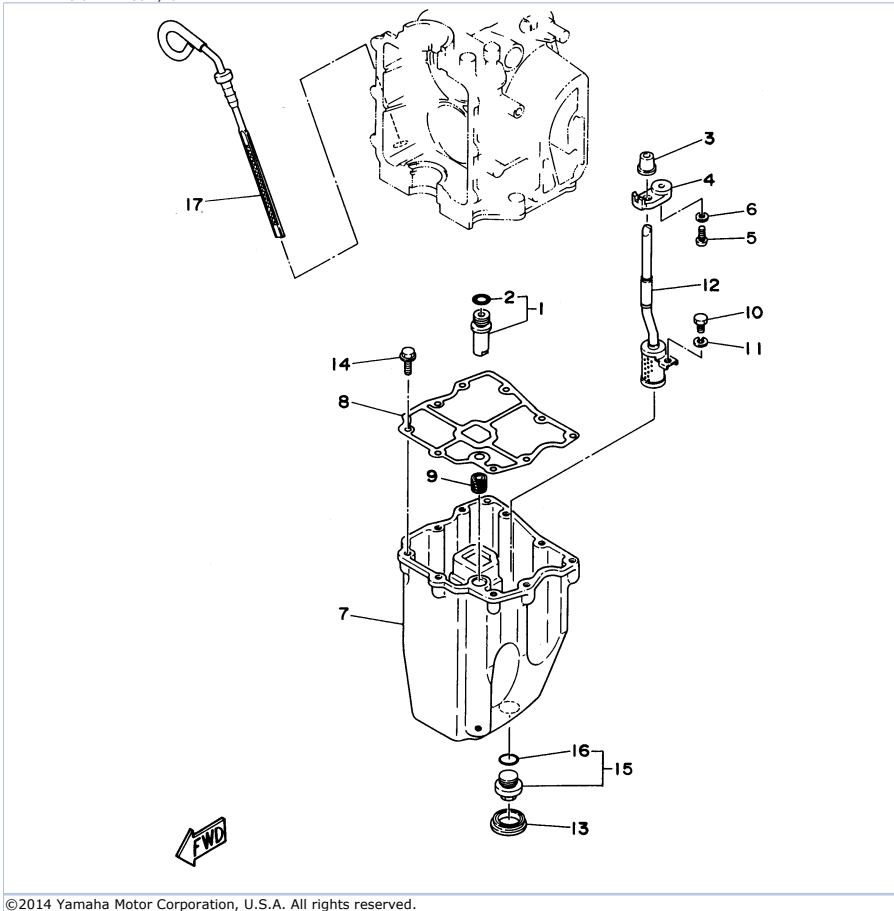
| REF - NO | PART NUMBER     | PART NAME                | QUANTITY | REMARKS |
|----------|-----------------|--------------------------|----------|---------|
| 1        | 6G8-46241-00-00 | V-BELT                   | 1        |         |
| 2        | 6G8-11536-00-94 | GEAR, DRIVE              | 1        |         |
| 3        | 6G8-11557-00-00 | WASHER 1                 | 2        |         |
| 4        | 90170-24M09-00  | NUT                      | 1        |         |
| 5        | 6G8-11587-00-00 | WASHER, LOCK             | 1        |         |
| 6        | 6G8-11537-00-94 | GEAR, DRIVEN             | 1        |         |
| 7        | 90280-03M01-00  | .KEY, WOODRUFF           | 2        |         |
| 8        | 90201-13201-00  | WASHER, PLATE            | 1        |         |
| 9        | 97095-06016-00  | BOLT                     | 1        |         |
| 10       | 90201-06M94-00  | WASHER, PLATE            | 1        |         |
| 11       | 6G8-12171-00-00 | CAMSHAFT 1               | 1        |         |
| 12       | 93102-18M21-00  | .OIL SEAL                | 1        |         |
| 13       | 6G8-13300-02-00 | OIL PUMP ASSY            | 1        |         |
| 14       | 93210-27ME3-00  | .O-RING                  | 1        |         |
| 15       | 93210-10M61-00  | .O-RING                  | 1        |         |
| 16       | 93210-09M01-00  | .O-RING                  | 1        |         |
| 17       | 93210-13M63-00  | .O-RING                  | 2        |         |
| 18       | 97095-06025-00  | BOLT                     | 3        |         |
| 19       | 92990-06600-00  | WASHER, PLATE            | 3        |         |
| 20       | 6G8-13442-00-94 | HOUSING, OIL FILTER      | 1        |         |
| 21       | 6G8-13440-00-00 | ELEMENT ASSY,OIL CLEANER | 1        |         |
| 22       | 93210-09M01-00  | .O-RING                  | 2        |         |
| 23       | 97313-06050-00  | BOLT                     | 1        |         |
| 24       | 92990-06600-00  | WASHER, PLATE            | 1        |         |
| 25       | 97095-06030-00  | BOLT                     | 1        |         |
| 26       | 92990-06600-00  | WASHER, PLATE            | 1        |         |

Part Notes *T9.9ELRV 1997 / OIL PUMP*

| PART NUMBER  | NOTE TEXT  |
|--|--|
| 92990-06600-00    | OEM: This part number is among the Top 100 Most Popular Marine Maintenance Parts as of March 2014. |
| 92990-06600-00   | OEM: This part number is among the Top 100 Most Popular Marine Maintenance Parts as of March 2014. |
| 92990-06600-00  | OEM: This part number is among the Top 100 Most Popular Marine Maintenance Parts as of March 2014. |

©2014 Yamaha Motor Corporation, U.S.A. All rights reserved.

T9.9ELRV 1997 / OIL PAN



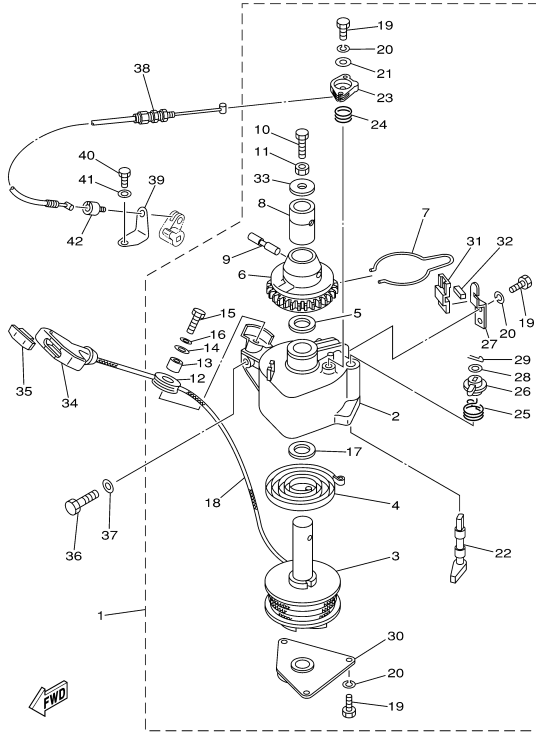
©2014 Yamaha Motor Corporation, U.S.A. All rights reserved.

## Part List

T9.9ELRV 1997 / OIL PAN

| REF<br>-<br>NO | PART<br>NUMBER  | PART NAME              | QUANTITY | REMARKS |
|----------------|-----------------|------------------------|----------|---------|
| 1              | 6G8-11575-00-00 | RELIEF VALVE ASSY      | 1        |         |
| 2              | 93210-12M62-00  | .O-RING                | 1        |         |
| 3              | 6G8-15379-00-00 | SEAL, CRANKCASE        | 1        |         |
| 4              | 6G8-13487-00-00 | GUIDE, OIL HOSE        | 1        |         |
| 5              | 98580-05012-00  | .SCREW, PAN HEAD       | 1        |         |
| 6              | 92990-05600-00  | WASHER, PLATE          | 1        |         |
| 7              | 6G8-15311-03-0D | OIL PAN                | 1        |         |
| 8              | 6G8-15312-A1-00 | .GASKET, OIL PAN       | 1        |         |
| 9              | 6G8-45127-00-00 | SEAL                   | 1        |         |
| 10             | 97095-06010-00  | BOLT                   | 1        |         |
| 11             | 92995-06100-00  | WASHER, SPRING         | 1        |         |
| 12             | 6G8-13421-00-00 | STRAINER 2             | 1        |         |
| 13             | 6G8-15316-00-00 | DAMPER, ENGINE MOUNT 1 | 1        |         |
| 14             | 90105-06M33-00  | BOLT, FLANGE           | 9        |         |
| 15             | 6G8-13471-00-00 | PLUG, DRAIN            | 1        |         |
| 16             | 93210-16716-00  | .O-RING                | 1        |         |
| 17             | 6G8-15362-04-00 | PLUG, OIL LEVEL        | 1        |         |

T9.9ELRV 1997 / STARTER



©2014 Yamaha Motor Corporation, U.S.A. All rights reserved.


## Part List

T9.9ELRV 1997 / STARTER

| REF<br>-<br>NO | PART<br>NUMBER  | PART NAME                    | QUANTITY | REMARKS |
|----------------|-----------------|------------------------------|----------|---------|
| 1              | 6G8-15710-10-00 | STARTER ASSY                 | 1        |         |
| 2              | 6G8-15711-00-00 | .CASE, STARTER               | 1        |         |
| 3              | 6G8-15714-00-00 | .DRUM, SHEAVE                | 1        |         |
| 4              | 6G8-15713-00-00 | .SPRING, STARTER             | 1        |         |
| 5              | 6G8-15719-00-00 | .WASHER, THRUST              | 1        |         |
| 6              | 6G8-15723-00-00 | .PULLEY, STARTER             | 1        |         |
| 7              | 6G8-15715-00-00 | .SPRING, FRICTION            | 1        |         |
| 8              | 6G8-15754-00-00 | .BUSH 2                      | 1        |         |
| 9              | 6G8-15727-00-00 | .PIN                         | 1        |         |
| 10             | 6G8-15768-00-00 | .BOLT                        | 1        |         |
| 11             | 95304-08700-00  | .NUT                         | 1        |         |
| 12             | 6F5-15752-00-00 | .ROLLER, WIRE                | 1        |         |
| 13             | 6F5-15753-00-00 | .BUSH                        | 1        |         |
| 14             | 6F5-15791-00-00 | .WASHER, LOCK                | 1        |         |
| 15             | 97315-06025-00  | .BOLT                        | 1        |         |
| 16             | 92995-06100-00  | .WASHER, SPRING              | 1        |         |
| 17             | 6G8-15739-00-00 | .WASHER, THRUST              | 1        |         |
| 18             | 90580-50M01-00  | .ROPE, STARTER               | 1        |         |
| 19             | 97013-05012-00  | .BOLT                        | 6        |         |
| 20             | 92990-05100-00  | .WASHER, SPRING              | 6        |         |
| 21             | 6G8-15742-00-00 | .WASHER, DRIVE PAWL          | 1        |         |
| 22             | 6G8-15794-00-00 | .STOPPER                     | 1        |         |
| 23             | 6G8-15746-00-00 | .ARM                         | 1        |         |
| 24             | 6G8-15767-00-00 | .SPRING                      | 1        |         |
| 25             | 6G8-15734-00-00 | .SPRING, RETURN              | 1        |         |
| 26             | 6G8-15747-00-00 | .LINK                        | 1        |         |
| 27             | 6G8-15716-00-00 | .PLATE, DRIVE                | 1        |         |
| 28             | 92990-06200-00  | .WASHER, PLAIN               | 1        |         |
| 29             | 91490-16020-00  | .PIN, COTTER                 | 1        |         |
| 30             | 6G8-15712-00-00 | .COVER, STARTER CASE         | 1        |         |
| 31             | 6G8-15779-00-00 | .COVER                       | 1        |         |
| 32             | 6G8-15789-00-00 | .DAMPER                      | 1        |         |
| 33             | 6G8-15742-00-00 | .WASHER, DRIVE PAWL          | 1        |         |
| 34             | 6G1-15755-00-00 | .HANDLE, STARTER             | 1        |         |
| 35             | 689-15779-01-00 | COVER                        | 1        |         |
| 36             | 97013-08030-00  | BOLT                         | 3        |         |
| 37             | 92990-08600-00  | ..WASHER, PLATE              | 3        |         |
| 38             | 6G8-15770-00-00 | CABLE COMP., STARTER<br>STOP | 1        |         |
| 39             | 6G8-15771-00-00 | STAY 1                       | 1        |         |
| 40             | 97095-06012-00  | BOLT                         | 1        |         |
| 41             | 92990-06600-00  | WASHER, PLATE                | 1        |         |
| 42             | 6G8-15772-00-00 | STAY 2                       | 1        |         |
| 43             | 6G8-44125-00-00 | LEVER, SHIFT ROD             | 1        |         |

## Part Notes

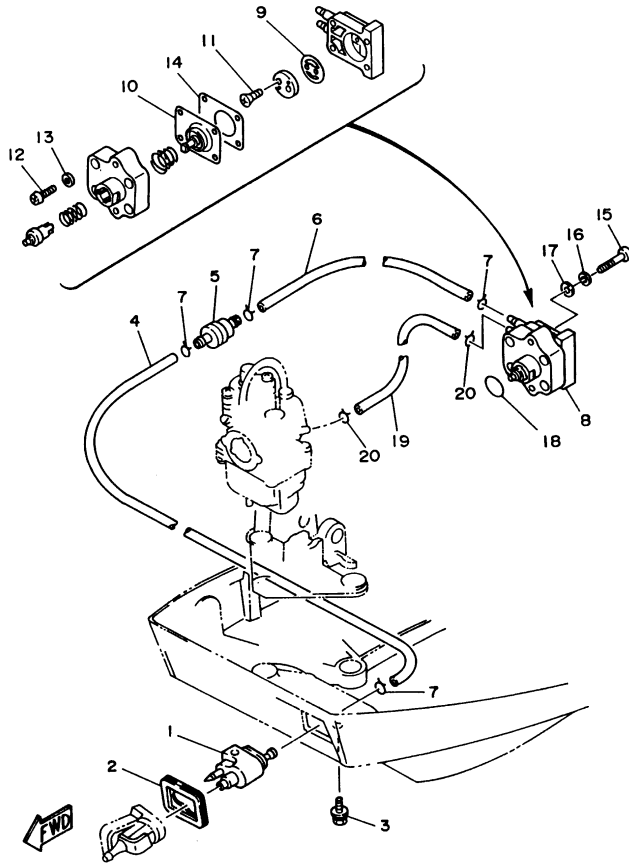
T9.9ELRV 1997 / STARTER

| PART NUMBER  | NOTE TEXT  |
|--|--|
| 92990-06600-00  | OEM: This part number is among the Top 100 Most Popular Marine Maintenance Parts as of March 2014. |

©2014 Yamaha Motor Corporation, U.S.A. All rights reserved.



T9.9ELRV 1997 / FUEL



©2014 Yamaha Motor Corporation, U.S.A. All rights reserved.




## Part List

T9.9ELRV 1997 / FUEL

| REF - NO | PART NUMBER     | PART NAME               | QUANTITY | REMARKS |
|----------|-----------------|-------------------------|----------|---------|
| 1        | 6G1-24304-02-00 | FUEL PIPE JOINT COMP. 1 | 1        |         |
| 2        | 6G8-24329-00-00 | SEAL                    | 1        |         |
| 3        | 97595-06520-00  | BOLT, WITH WASHER       | 1        |         |
| 4        | 6G8-24311-00-00 | PIPE, FUEL 1            | 1        |         |
| 5        | 646-24251-02-00 | .STRAINER 1             | 1        |         |
| 6        | 90445-09078-00  | HOSE                    | 1        |         |
| 7        | 90467-08004-00  | CLIP                    | 4        |         |
| 8        | 6G8-24410-03-00 | FUEL PUMP ASSY          | 1        |         |
| 9        | 6G8-24421-00-00 | .VALVE, CHECK           | 1        |         |
| 10       | 6G8-24411-02-00 | .DIAPHRAGM              | 1        |         |
| 11       | 98780-03008-00  | .SCREW, FLAT HEAD       | 2        |         |
| 12       | 98580-04014-00  | .SCREW, PAN HEAD        | 4        |         |
| 13       | 92990-04200-00  | .WASHER                 | 4        |         |
| 14       | 6G8-24471-00-00 | .DIAPHRAGM              | 1        |         |
| 15       | 98580-06025-00  | SCREW, PAN HEAD         | 2        |         |
| 16       | 92995-06100-00  | WASHER, SPRING          | 2        |         |
| 17       | 92990-06600-00  | WASHER, PLATE           | 2        |         |
| 18       | 93210-20M65-00  | .O-RING                 | 1        |         |
| 19       | 90445-09332-00  | HOSE (JN3)              | 1        |         |
| 20       | 90467-08004-00  | CLIP                    | 2        |         |

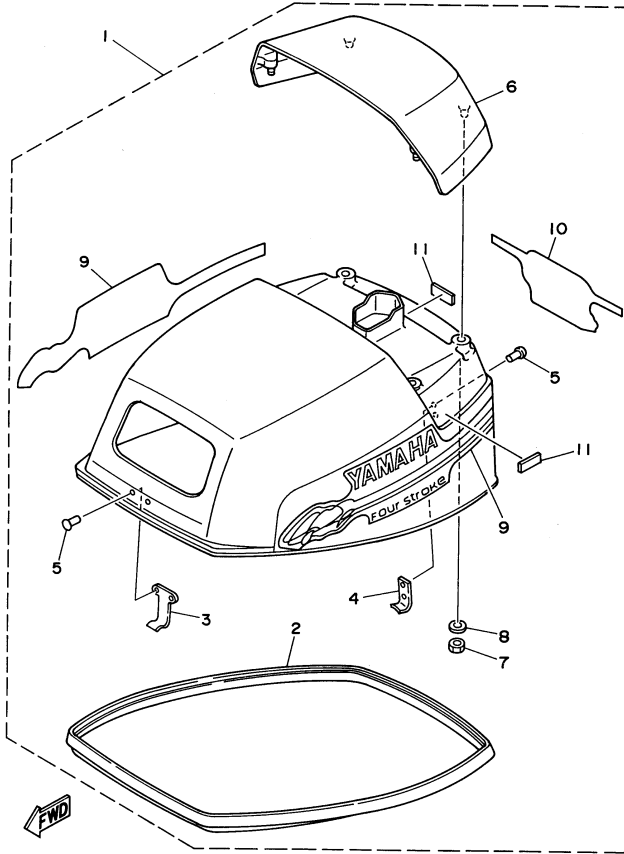
## Part Notes

T9.9ELRV 1997 / FUEL

| PART NUMBER     | NOTE TEXT   |
|-----------------|---|
| 646-24251-02-00 |  OEM: This part number is among the Top 100 Most Popular Marine Maintenance Parts as of March 2014.  |
| 6G8-24410-03-00 |  OEM: The new pump has two additional barbs installed in the base so that cooling water from the overboard water pump indicator can be routed through the fuel pump to prevent vapor lock condit |
| 92990-06600-00  |  OEM: This part number is among the Top 100 Most Popular Marine Maintenance Parts as of March 2014.  |

©2014 Yamaha Motor Corporation, U.S.A. All rights reserved.

T9.9ELRV 1997 / TOP COWLING



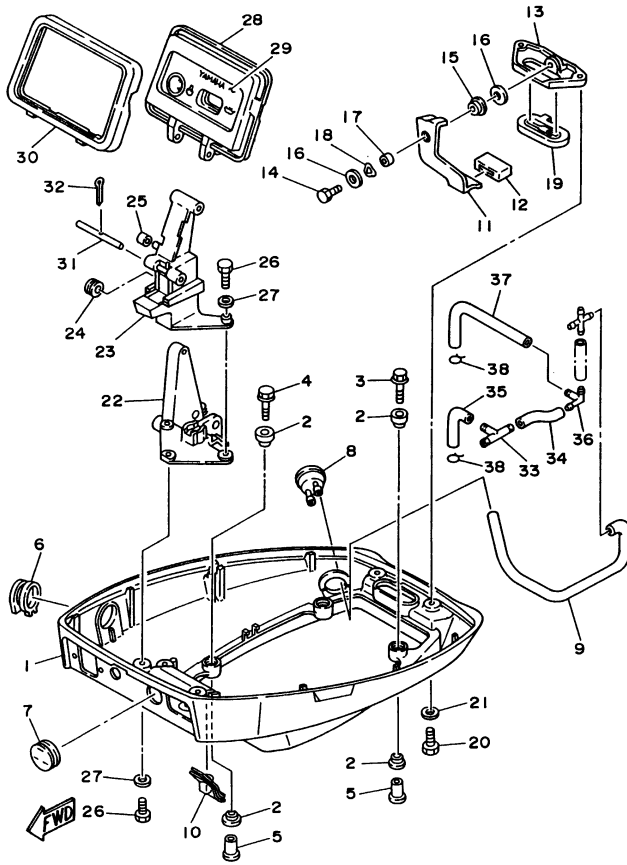
©2014 Yamaha Motor Corporation, U.S.A. All rights reserved.

## Part List

T9.9ELRV 1997 / TOP COWLING

| REF<br>-<br>NO | PART<br>NUMBER  | PART NAME          | QUANTITY | REMARKS |
|----------------|-----------------|--------------------|----------|---------|
| 1              | 6G8-42610-51-4D | TOP COWLING ASSY   | 1        |         |
| 2              | 6G8-42615-01-00 | .SEAL              | 1        |         |
| 3              | 6G8-42651-00-00 | .HOOK              | 1        |         |
| 4              | 6G8-42652-00-00 | .HOOK              | 1        |         |
| 5              | 90266-04M04-00  | .RIVET             | 4        |         |
| 6              | 6G8-42613-01-4D | .MOLDING, AIR DUCT | 1        |         |
| 7              | 95380-06700-00  | .NUT               | 4        |         |
| 8              | 92990-06200-00  | .WASHER, PLAIN     | 4        |         |
| 9              | 6G9-W0070-13-00 | .GRAPHIC SET       | 1        |         |
| 10             | 6G8-42678-51-00 | .GRAPHIC, REAR     | 1        |         |
| 11             | 6G8-42662-00-00 | .DAMPER            | 3        |         |

T9.9ELRV 1997 / BOTTOM COWLING



©2014 Yamaha Motor Corporation, U.S.A. All rights reserved.



## Part List

T9.9ELRV 1997 / BOTTOM COWLING

| REF<br>-<br>NO | PART<br>NUMBER  | PART NAME          | QUANTITY | REMARKS |
|----------------|-----------------|--------------------|----------|---------|
| 1              | 6G8-42711-02-4D | COWLING, BOTTOM 1  | 1        |         |
| 2              | 90480-09M35-00  | GROMMET            | 8        |         |
| 3              | 90119-06M56-00  | BOLT, WITH WASHER  | 2        |         |
| 4              | 90119-06M55-00  | BOLT, WITH WASHER  | 2        |         |
| 5              | 90387-06M15-00  | COLLAR             | 4        |         |
| 6              | 6G8-42724-00-00 | GROMMET            | 1        |         |
| 7              | 6G8-42725-10-00 | GROMMET            | 1        |         |
| 8              | 6G8-44391-00-00 | NIPPLE, HOSE       | 1        |         |
| 9              | 90445-09163-00  | HOSE (L235)        | 1        |         |
| 10             | 6G8-42727-00-00 | GROMMET            | 1        |         |
| 11             | 6G8-42815-00-00 | LEVER, CLAMP       | 1        |         |
| 12             | 6G8-42831-00-00 | BUSHING            | 1        |         |
| 13             | 6G8-42811-00-94 | STAY               | 1        |         |
| 14             | 97095-06016-00  | BOLT               | 1        |         |
| 15             | 90386-08M49-00  | BUSH               | 1        |         |
| 16             | 90201-06M31-00  | .WASHER, PLATE     | 2        |         |
| 17             | 90387-06M72-00  | COLLAR             | 1        |         |
| 18             | 90206-08M13-00  | WASHER, WAVE       | 1        |         |
| 19             | 6G8-42748-00-00 | GROMMET            | 1        |         |
| 20             | 97095-06016-00  | BOLT               | 2        |         |
| 21             | 92990-06600-00  | WASHER, PLATE      | 2        |         |
| 22             | 6G8-42738-00-94 | PLATE, FITTING     | 1        |         |
| 23             | 6G8-42719-00-94 | PANEL, FRONT LOWER | 1        |         |
| 24             | 90480-19031-00  | GROMMET            | 1        |         |
| 25             | 90445-05ME6-00  | HOSE (L8)          | 1        |         |
| 26             | 97095-06016-00  | BOLT               | 4        |         |
| 27             | 92990-06600-00  | WASHER, PLATE      | 4        |         |
| 28             | 6G8-42614-02-00 | PANEL, FRONT UPPER | 1        | T9.9MH  |
| 29             | 6G8-42677-00-00 | GRAPHIC, FRONT     | 1        | T9.9MH  |
| 30             | 6G8-42629-02-00 | SEAL               | 1        |         |
| 31             | 6G8-42755-00-00 | HINGE, COWLING     | 1        |         |
| 32             | 91490-16010-00  | PIN, COTTER        | 1        |         |
| 33             | 6G8-24379-00-00 | PIPE, JOINT 4      | 1        |         |
| 34             | 90445-10M78-00  | HOSE (L50)         | 1        |         |
| 35             | 6G8-12476-00-00 | PIPE 6             | 1        |         |
| 36             | 6G8-24378-01-00 | PIPE, JOINT 3      | 1        |         |
| 37             | 6G8-12485-00-00 | PIPE 5             | 1        |         |
| 38             | 90467-10M04-00  | CLIP               | 2        |         |

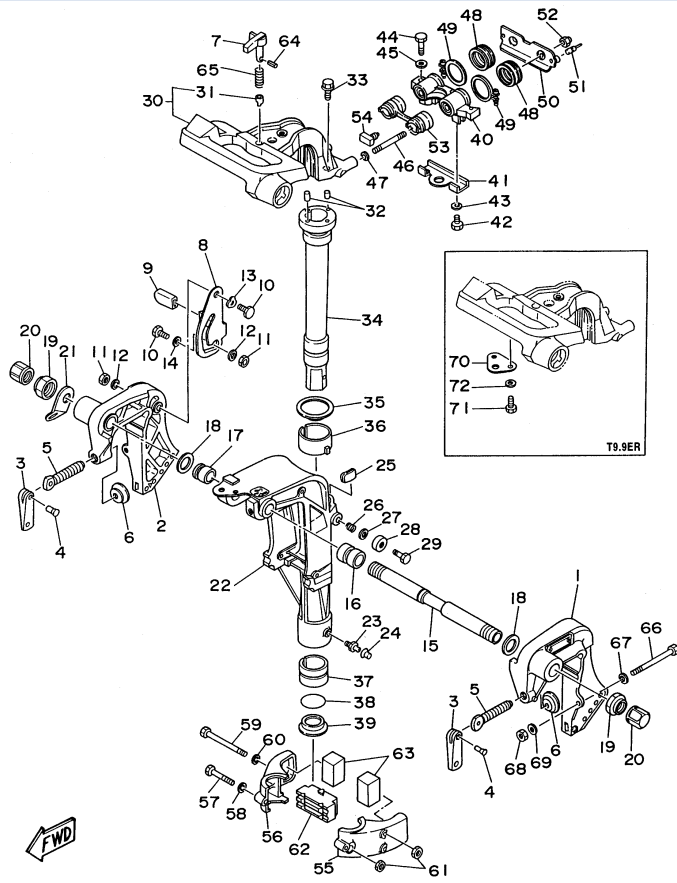
## Part Notes

T9.9ELRV 1997 / BOTTOM COWLING

| PART NUMBER  | NOTE TEXT  |
|--|--|
| 92990-06600-00  | OEM: This part number is among the Top 100 Most Popular Marine Maintenance Parts as of March 2014. |
| 92990-06600-00  | OEM: This part number is among the Top 100 Most Popular Marine Maintenance Parts as of March 2014. |

©2014 Yamaha Motor Corporation, U.S.A. All rights reserved.

T9.9ELRV 1997 / BRACKET 1



©2014 Yamaha Motor Corporation, U.S.A. All rights reserved.



## Part List

T9.9ELRV 1997 / BRACKET 1




| REF - NO | PART NUMBER     | PART NAME                   | QUANTITY | REMARKS |
|----------|-----------------|-----------------------------|----------|---------|
| 1        | 6G8-43111-04-4D | BRACKET, CLAMP 1            | 1        |         |
| 2        | 6G8-43112-04-4D | BRACKET, CLAMP 2            | 1        |         |
| 3        | 6E0-43118-01-00 | HANDLE, TRANSOM CLAMP       | 2        |         |
| 4        | 90243-04M01-00  | PIN                         | 2        |         |
| 5        | 6E7-43116-00-00 | SCREW, TRANSOM CLAMP        | 2        |         |
| 6        | 648-43114-01-00 | PAD, TRANSOM CLAMP          | 2        |         |
| 7        | 6G8-42561-00-00 | KNOB, STEERING LOCK         | 1        |         |
| 8        | 6G8-43181-00-00 | LEVER, TILT STOP            | 1        |         |
| 9        | 682-43318-01-00 | COVER                       | 1        |         |
| 10       | 90109-06M25-00  | BOLT                        | 2        |         |
| 11       | 95680-06100-00  | NUT, U                      | 2        |         |
| 12       | 92990-06600-00  | WASHER, PLATE               | 2        |         |
| 13       | 90206-10M15-00  | WASHER, WAVE                | 1        |         |
| 14       | 682-43339-01-00 | WASHER                      | 1        |         |
| 15       | 6G8-43131-00-00 | BOLT, CLAMP BRACKET         | 1        |         |
| 16       | 90386-22M92-00  | BUSH                        | 1        |         |
| 17       | 90386-22M93-00  | BUSH                        | 1        |         |
| 18       | 90201-22M03-00  | WASHER, PLATE               | 2        |         |
| 19       | 90185-22M11-00  | NUT, SELF-LOCKING           | 2        |         |
| 20       | 6G5-43145-00-00 | CAP, CLAMP BRACKET          | 1        |         |
| 21       | 6J8-43113-01-00 | PLATE, CLAMP BRACKET        | 1        |         |
| 22       | 6G8-43311-15-4D | BRACKET, SWIVEL 1           | 1        |         |
| 23       | 93700-06M03-00  | NIPPLE, GREASE              | 1        |         |
| 24       | 663-45119-00-00 | CAP, GREASE NIPPLE          | 1        | AP      |
| 25       | 6G8-42528-00-00 | PLATE, FRICTION             | 1        |         |
| 26       | 90501-18M00-00  | SPRING, COMPRESSION         | 1        |         |
| 27       | 90201-06M31-00  | .WASHER, PLATE              | 1        |         |
| 28       | 6G8-43373-00-00 | SEAL, DAMPER                | 1        |         |
| 29       | 97095-06025-00  | BOLT                        | 1        |         |
| 30       | 6G8-42511-02-4D | BRACKET, STEERING           | 1        |         |
| 31       | 6G8-42534-00-00 | .PIN, DOWEL                 | 1        |         |
| 32       | 93605-15065-00  | PIN, DOWEL                  | 2        |         |
| 33       | 90119-06M06-00  | BOLT, WITH WASHER           | 2        |         |
| 34       | 6G8-42521-10-94 | SHAFT, STEERING PIVOT       | 1        |         |
| 35       | 90209-45M09-00  | WASHER                      | 1        |         |
| 36       | 6G8-42537-00-00 | BUSHING, PIVOT SHAFT        | 1        |         |
| 37       | 90386-37M47-00  | BUSH                        | 1        |         |
| 38       | 93210-37M67-00  | O-RING                      | 1        |         |
| 39       | 90386-37M48-00  | BUSH                        | 1        |         |
| 40       | 6G8-44517-00-94 | MOUNT RUBBER                | 1        |         |
| 41       | 6G8-44526-00-00 | PLATE                       | 1        |         |
| 42       | 97095-06012-00  | BOLT                        | 2        |         |
| 43       | 92990-06600-00  | WASHER, PLATE               | 2        |         |
| 44       | 97095-08030-00  | BOLT                        | 2        |         |
| 45       | 92990-08600-00  | ..WASHER, PLATE             | 2        |         |
| 46       | 90116-08M28-00  | BOLT, STUD                  | 2        |         |
| 47       | 90201-08M12-00  | .WASHER, PLATE              | 2        |         |
| 48       | 6G8-44522-00-00 | SEAL                        | 2        |         |
| 49       | 90460-38M06-00  | CLAMP, HOSE                 | 2        |         |
| 50       | 6G8-44518-00-00 | BRACKET COMP.               | 1        |         |
| 51       | 6G8-44533-00-00 | DAMPER, UPPER MOUNT RUBBER  | 2        |         |
| 52       | 95780-08300-00  | ..NUT, FLANGE               | 2        |         |
| 53       | 6G8-44521-00-00 | SEAL                        | 1        |         |
| 54       | 6G8-44532-00-00 | STOPPER, UPPER MOUNT        | 1        |         |
| 55       | 6G8-44551-01-4D | HOUSING, LOWER MOUNT RUBBER | 1        |         |
| 56       | 6G8-44552-02-4D | HOUSING, LOWER MOUNT RUBBER | 1        |         |
| 57       | 97095-06045-00  | .BOLT                       | 1        |         |
| 58       | 92990-06600-00  | WASHER, PLATE               | 1        |         |
| 59       | 97095-06095-00  | BOLT                        | 2        |         |
| 60       | 92990-06600-00  | WASHER, PLATE               | 2        |         |
| 61       | 95380-06700-00  | NUT                         | 3        |         |
| 62       | 6G8-44557-00-00 | MOUNT DAMPER, LOWER FRONT   | 1        |         |
| 63       | 682-44555-00-00 | MOUNT DAMPER, LOWER SIDE    | 2        |         |
| 64       | 91690-30012-00  | .PIN, SPRING                | 1        |         |
| 65       | 90501-10071-00  | ..SPRING, COMPRESSION       | 1        |         |
| 66       | 90101-08M88-00  | BOLT                        | 2        |         |
| 67       | 92990-08600-00  | ..WASHER, PLATE             | 2        |         |
| 68       | 95780-08300-00  | ..NUT, FLANGE               | 2        |         |
| 69       | 90201-08MA4-00  | WASHER, PLATE               | 2        |         |
| 70       | 6G8-48511-20-00 | HOOK, STEERING              | 1        | T9.9ER  |
| 71       | 97095-06016-00  | BOLT                        | 2        | T9.9ER  |
| 72       | 92990-06600-00  | WASHER, PLATE               | 2        | T9.9ER  |

## Part Notes

T9.9ELRV 1997 / BRACKET 1

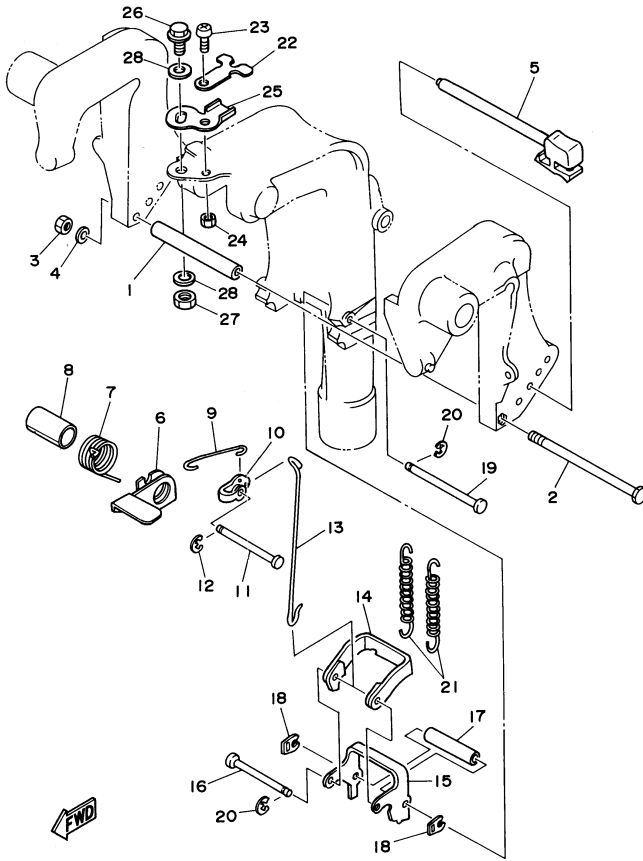
| PART NUMBER  | NOTE TEXT  |
|--|--|
| 92990-06600-00  | OEM: This part number is among the Top 100 Most Popular Marine Maintenance Parts as of March 2014. |
| 92990-06600-00  | OEM: This part number is among the Top 100 Most Popular Marine Maintenance Parts as of March 2014. |



|                |   |  |
|----------------|---|--|
| 92990-06600-00 |  | OEM: This part number is among the Top 100 Most Popular Marine Maintenance Parts as of March 2014. |
| 92990-06600-00 |  | OEM: This part number is among the Top 100 Most Popular Marine Maintenance Parts as of March 2014. |
| 92990-06600-00 |  | OEM: This part number is among the Top 100 Most Popular Marine Maintenance Parts as of March 2014. |

©2014 Yamaha Motor Corporation, U.S.A. All rights reserved.

T9.9ELRV 1997 / BRACKET 2



©2014 Yamaha Motor Corporation, U.S.A. All rights reserved.


## Part List

T9.9ELRV 1997 / BRACKET 2

| REF<br>-<br>NO | PART<br>NUMBER  | PART NAME           | QUANTITY | REMARKS |
|----------------|-----------------|---------------------|----------|---------|
| 1              | 90387-06M09-00  | COLLAR              | 1        |         |
| 2              | 97095-06135-00  | BOLT                | 1        |         |
| 3              | 95380-06700-00  | NUT                 | 1        |         |
| 4              | 92990-06600-00  | WASHER, PLATE       | 1        |         |
| 5              | 6G8-43160-01-00 | TILT ROD ASSY       | 1        |         |
| 6              | 6G8-43631-03-00 | LEVER, TILT         | 1        |         |
| 7              | 90508-18M33-00  | SPRING, TORSION     | 1        |         |
| 8              | 90386-20M94-00  | BUSH                | 1        |         |
| 9              | 6G8-43616-00-00 | ROD, TILT LOCK      | 1        |         |
| 10             | 682-43641-00-00 | LEVER, TILT         | 1        |         |
| 11             | 90249-06M20-00  | PIN                 | 1        |         |
| 12             | 99080-05600-00  | CIRCLIP             | 1        |         |
| 13             | 6G8-43617-00-00 | ROD, TILT LOCK      | 1        |         |
| 14             | 682-43614-00-00 | PLATE, TILT LOCK    | 1        |         |
| 15             | 682-43615-01-00 | PLATE, TILT LOCK    | 1        |         |
| 16             | 682-43611-01-00 | SHAFT, TILT LOCK    | 1        |         |
| 17             | 90387-06M20-00  | COLLAR              | 1        |         |
| 18             | 682-43673-00-00 | WASHER 1            | 2        |         |
| 19             | 682-43659-00-00 | SHAFT, REVERSE LOCK | 1        |         |
| 20             | 99080-05600-00  | CIRCLIP             | 2        |         |
| 21             | 90506-29M16-00  | SPRING, TENSION     | 2        |         |
| 22             | 6G8-43319-03-94 | PLATE               | 1        |         |
| 23             | 98580-06016-00  | SCREW, PAN HEAD     | 1        |         |
| 24             | 95380-06600-00  | NUT, HEXAGON        | 1        |         |
| 25             | 6G8-42512-02-94 | PLATE, CONTROL      | 1        |         |
| 26             | 97095-10020-00  | BOLT                | 1        |         |
| 27             | 95380-10700-00  | NUT                 | 1        |         |
| 28             | 90201-10M76-00  | .WASHER, PLATE      | 2        |         |

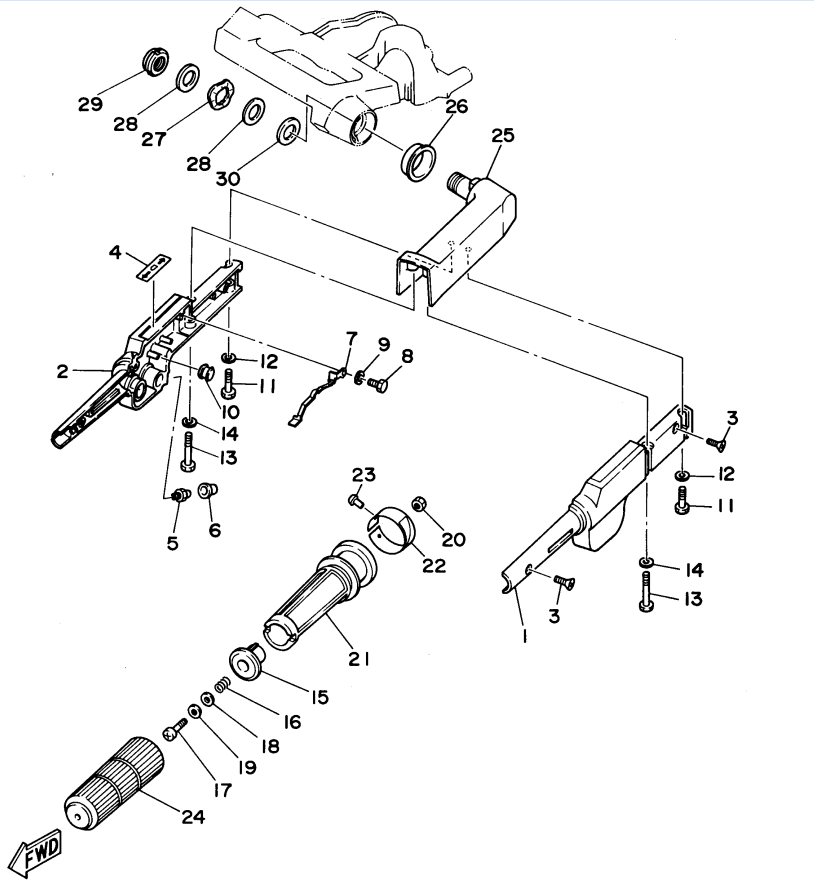
## Part Notes

T9.9ELRV 1997 / BRACKET 2

| PART NUMBER   | NOTE TEXT  |
|---|--|
| 92990-06600-00  | OEM: This part number is among the Top 100 Most Popular Marine Maintenance Parts as of March 2014. |

©2014 Yamaha Motor Corporation, U.S.A. All rights reserved.

T9.9ELRV 1997 / STEERING MH EH



©2014 Yamaha Motor Corporation, U.S.A. All rights reserved.



## Part List

T9.9ELRV 1997 / STEERING MH EH

| REF<br>-<br>NO | PART<br>NUMBER  | PART NAME                          | QUANTITY | REMARKS |
|----------------|-----------------|------------------------------------|----------|---------|
| 1              | 6G8-42111-01-4D | HANDLE, STEERING                   | 1        |         |
| 2              | 6G8-42112-02-4D | HANDLE, STEERING                   | 1        |         |
| 3              | 98780-05016-00  | .SCREW, FLAT HEAD                  | 2        |         |
| 4              | 6G8-44191-00-00 | INDICATOR, SHIFT                   | 1        |         |
| 5              | 93700-06M03-00  | NIPPLE, GREASE                     | 1        |         |
| 6              | 663-45119-00-00 | CAP, GREASE NIPPLE                 | 1        | AP      |
| 7              | 6G8-42147-01-00 | SPRING                             | 1        |         |
| 8              | 97395-05012-00  | .BOLT                              | 1        |         |
| 9              | 92990-05600-00  | WASHER, PLATE                      | 1        |         |
| 10             | 6H4-42725-00-00 | GROMMET                            | 1        |         |
| 11             | 97095-06025-00  | BOLT                               | 2        |         |
| 12             | 92990-06600-00  | WASHER, PLATE                      | 2        |         |
| 13             | 97095-06040-00  | .BOLT                              | 2        |         |
| 14             | 92990-06600-00  | WASHER, PLATE                      | 2        |         |
| 15             | 6G8-42126-01-94 | FRICITION, STEERING<br>HANDLE GRIP | 1        |         |
| 16             | 90501-23M42-00  | SPRING, COMPRESSION                | 1        |         |
| 17             | 97880-06030-00  | SCREW, PAN HEAD                    | 1        |         |
| 18             | 90201-06049-00  | WASHER, PLATE                      | 1        |         |
| 19             | 90202-06007-00  | WASHER, PLATE                      | 1        |         |
| 20             | 95380-06700-00  | NUT                                | 1        |         |
| 21             | 6G8-42119-00-00 | GRIP, STEERING HANDLE              | 1        |         |
| 22             | 6G8-42137-01-00 | INDICATOR, THROTTLE                | 1        |         |
| 23             | 90269-02M09-00  | RIVET                              | 1        |         |
| 24             | 6G8-42177-00-00 | RUBBER, HANDLE                     | 1        |         |
| 25             | 6G8-42113-01-4D | HANDLE, STEERING                   | 1        |         |
| 26             | 90386-33M56-00  | BUSH                               | 1        |         |
| 27             | 90206-20M14-00  | WASHER, WAVE                       | 1        |         |
| 28             | 90201-20M00-00  | WASHER, PLATE                      | 2        |         |
| 29             | 90185-20M03-00  | NUT, SELF-LOCKING                  | 1        |         |
| 30             | 90202-20M33-00  | WASHER, PLATE                      | 1        |         |

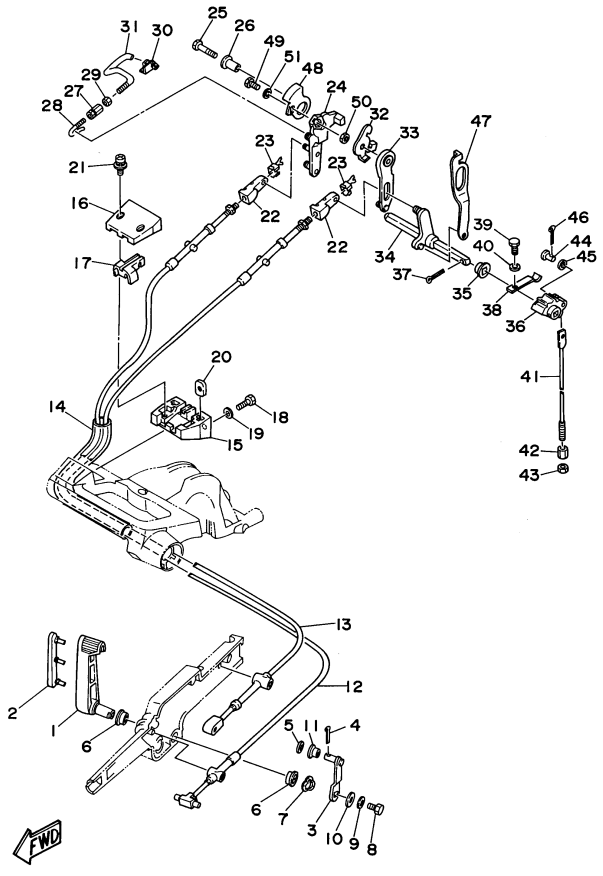
## Part Notes

T9.9ELRV 1997 / STEERING MH EH

| PART NUMBER    |   | NOTE TEXT  |
|----------------|---|--|
| 92990-06600-00 |  | OEM: This part number is among the Top 100 Most Popular Marine Maintenance Parts as of March 2014. |
| 92990-06600-00 |  | OEM: This part number is among the Top 100 Most Popular Marine Maintenance Parts as of March 2014. |

©2014 Yamaha Motor Corporation, U.S.A. All rights reserved.

T9.9ELRV 1997 / CONTROL



©2014 Yamaha Motor Corporation, U.S.A. All rights reserved.





## Part List

T9.9ELRV 1997 / CONTROL

| REF<br>-<br>NO | PART<br>NUMBER  | PART NAME          | QUANTITY | REMARKS                     |
|----------------|-----------------|--------------------|----------|-----------------------------|
| 1              | 6G8-44121-00-98 | LEVER, SHIFT ROD   | 1        |                             |
| 2              | 6G8-42129-00-00 | BUSHING, RUBBER    | 1        |                             |
| 3              | 6G8-44123-00-00 | ARM, SHIFT ROD     | 1        |                             |
| 4              | 91490-16010-00  | PIN. COTTER        | 1        |                             |
| 5              | 92990-05200-00  | .WASHER, PLAIN     | 1        |                             |
| 6              | 90386-12069-00  | BUSH               | 2        |                             |
| 7              | 90206-12052-00  | WASHER, WAVE       | 1        |                             |
| 8              | 97095-06016-00  | BOLT               | 1        |                             |
| 9              | 92990-06600-00  | WASHER, PLATE      | 1        |                             |
| 10             | 90201-06M94-00  | WASHER, PLATE      | 1        |                             |
| 11             | 90386-05M54-00  | BUSH               | 1        |                             |
| 12             | 6G8-48311-11-00 | CABLE              | 1        | AP FOR HANDY REMOTE CONTROL |
| 12             | 6G8-48311-02-00 | CABLE              | 1        |                             |
| 13             | 6G8-48321-01-00 | CABLE              | 1        |                             |
| 13             | 6G8-48321-10-00 | CABLE              | 1        | AP FOR HANDY REMOTE CONTROL |
| 14             | 90445-24M00-00  | HOSE (L165)        | 1        |                             |
| 14             | 90445-20ME5-00  | HOSE               | 1        | AP FOR HANDY REMOTE CONTROL |
| 15             | 6G8-41661-00-98 | BRACKET            | 1        |                             |
| 16             | 6G8-41662-00-98 | BRACKET            | 1        |                             |
| 17             | 6G8-41663-00-00 | BRACKET 3          | 1        |                             |
| 18             | 97095-06016-00  | BOLT               | 2        |                             |
| 19             | 92990-06600-00  | WASHER, PLATE      | 2        |                             |
| 20             | 6G8-41654-00-00 | NUT                | 2        |                             |
| 21             | 90159-05M06-00  | SCREW, WITH WASHER | 2        |                             |
| 22             | 6G8-26363-00-00 | .END, WIRE 1       | 2        |                             |
| 23             | 6G8-26364-00-00 | .END, CABLE        | 2        |                             |
| 24             | 6G8-41212-00-00 | ARM, ACCEL.        | 1        |                             |
| 25             | 97095-06030-00  | BOLT               | 1        |                             |
| 26             | 90387-06M58-00  | COLLAR             | 1        |                             |
| 27             | 6G8-41238-01-00 | JOINT, LINK        | 1        |                             |
| 28             | 6G8-41241-01-00 | ROD, LINK          | 1        |                             |
| 29             | 95303-04600-00  | .NUT               | 1        |                             |
| 30             | 6G8-41237-01-00 | JOINT, LINK        | 1        |                             |
| 31             | 6G8-41242-01-00 | ROD 2              | 1        |                             |
| 32             | 6G8-14493-00-00 | STAY 1             | 1        |                             |
| 33             | 6G8-44111-00-00 | HANDLE, GEAR SHIFT | 1        |                             |
| 34             | 6G8-44159-00-00 | HANDLE, GEAR SHIFT | 1        |                             |
| 35             | 682-44132-00-00 | BUSHING            | 1        |                             |
| 36             | 682-44121-01-00 | LEVER, SHIFT ROD   | 1        |                             |
| 37             | 91490-25020-00  | PIN. COTTER        | 1        |                             |
| 38             | 682-44116-01-00 | SPRING             | 1        |                             |
| 39             | 97095-06014-00  | BOLT               | 1        |                             |
| 40             | 92990-06600-00  | WASHER, PLATE      | 1        |                             |
| 41             | 6G8-44143-10-00 | ROD, SHIFT         | 1        |                             |
| 42             | 90170-06015-00  | NUT                | 1        |                             |
| 43             | 95380-06700-00  | NUT                | 1        |                             |
| 44             | 91790-05020-00  | PIN, CLEVIS        | 1        |                             |
| 45             | 92990-05600-00  | WASHER, PLATE      | 1        |                             |
| 46             | 91490-16010-00  | PIN. COTTER        | 1        |                             |
| 47             | 6G8-44124-11-00 | LINK, SHIFT ROD    | 1        |                             |
| 48             | 6G8-41212-11-00 | ARM, ACCEL.        | 1        |                             |
| 49             | 97395-06014-00  | BOLT               | 1        |                             |
| 50             | 95380-06600-00  | NUT, HEXAGON       | 1        |                             |
| 51             | 92990-06600-00  | WASHER, PLATE      | 1        |                             |

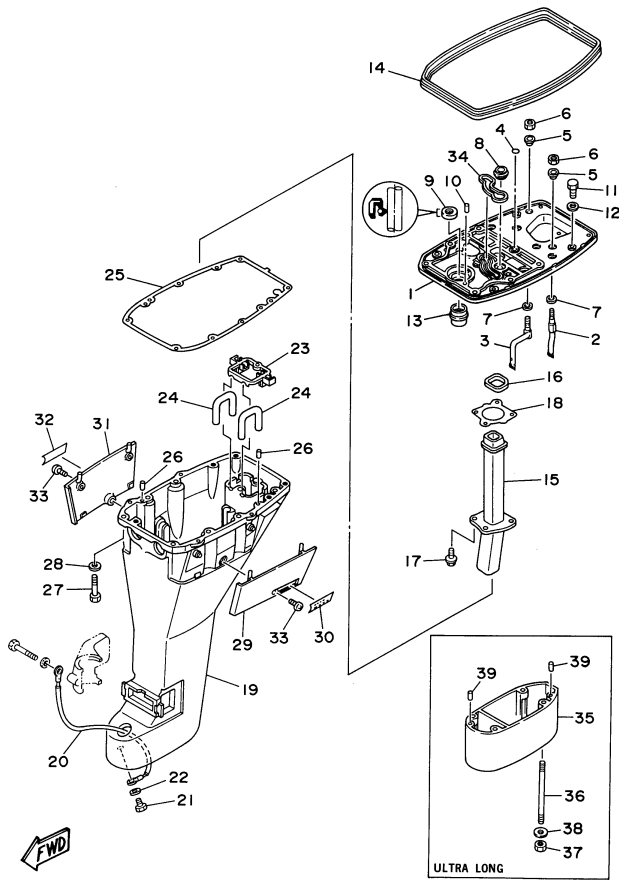
## Part Notes

T9.9ELRV 1997 / CONTROL

| PART NUMBER    |   | NOTE TEXT  |
|----------------|---|--|
| 92990-06600-00 |  | OEM: This part number is among the Top 100 Most Popular Marine Maintenance Parts as of March 2014. |
| 92990-06600-00 |  | OEM: This part number is among the Top 100 Most Popular Marine Maintenance Parts as of March 2014. |
| 92990-06600-00 |  | OEM: This part number is among the Top 100 Most Popular Marine Maintenance Parts as of March 2014. |
| 92990-06600-00 |  | OEM: This part number is among the Top 100 Most Popular Marine Maintenance Parts as of March 2014. |

©2014 Yamaha Motor Corporation, U.S.A. All rights reserved.

T9.9ELRV 1997 / UPPER CASING



©2014 Yamaha Motor Corporation, U.S.A. All rights reserved.





## Part List

T9.9ELRV 1997 / UPPER CASING

| REF<br>-<br>NO | PART<br>NUMBER  | PART NAME                     | QUANTITY | REMARKS    |
|----------------|-----------------|-------------------------------|----------|------------|
| 1              | 6G8-41137-04-94 | GUIDE, EXHAUST                | 1        |            |
| 2              | 6G8-12483-00-00 | PIPE 3                        | 1        |            |
| 3              | 6G8-12484-00-00 | PIPE 4                        | 1        |            |
| 4              | 93210-08M60-00  | O-RING                        | 1        |            |
| 5              | 90386-10M70-00  | BUSH                          | 2        |            |
| 6              | 95380-10700-00  | NUT                           | 2        |            |
| 7              | 90202-10M03-00  | WASHER, PLATE                 | 2        |            |
| 8              | 6G8-44367-00-00 | DAMPER, WATER SEAL            | 1        |            |
| 9              | 93101-13M27-00  | O-RING                        | 1        |            |
| 10             | 93606-12019-00  | .PIN, DOWEL                   | 2        |            |
| 11             | 97095-06020-00  | BOLT                          | 2        |            |
| 12             | 92990-06600-00  | WASHER, PLATE                 | 2        |            |
| 13             | 6G8-45135-00-00 | PIPE                          | 1        |            |
| 14             | 6G8-42716-00-00 | RUBBER, SEAL 1                | 1        |            |
| 15             | 6G8-41131-01-00 | MANIFOLD, EXT. 1              | 1        |            |
| 16             | 6G8-41138-00-00 | SEAL, EXT. 1                  | 1        |            |
| 17             | 90105-06M33-00  | BOLT, FLANGE                  | 4        |            |
| 18             | 6G8-41133-A0-00 | GASKET, EXHAUST<br>MANIFOLD 1 | 1        |            |
| 19             | 6G8-45111-13-4D | CASING, UPPER                 | 1        |            |
| 20             | 6G8-82149-00-00 | WIRE, LEAD 3                  | 1        |            |
| 21             | 97095-06012-00  | BOLT                          | 1        |            |
| 22             | 92990-06600-00  | WASHER, PLATE                 | 1        |            |
| 23             | 6G8-45151-10-00 | COVER, UPPER CASING           | 1        |            |
| 24             | 6G8-45136-00-00 | PIPE                          | 2        |            |
| 25             | 6G8-45113-A1-00 | .GASKET, UPPER CASING         | 1        |            |
| 26             | 93606-12019-00  | .PIN, DOWEL                   | 2        |            |
| 27             | 97395-08040-00  | BOLT                          | 6        |            |
| 28             | 92990-08600-00  | ..WASHER, PLATE               | 6        |            |
| 29             | 6G8-42741-00-4D | APRON                         | 1        |            |
| 30             | 6G8-42791-00-00 | MARK 1                        | 1        |            |
| 31             | 6G8-42771-00-4D | APRON                         | 1        |            |
| 32             | 6G8-42792-00-00 | MARK                          | 1        |            |
| 33             | 90157-06M04-00  | SCREW, PAN HEAD               | 2        |            |
| 34             | 6G8-11355-00-00 | SEAL, CYLINDER 1              | 1        |            |
| 35             | 6G8-45211-20-4D | EXTENSION                     | 1        | ULTRA LONG |
| 36             | 90116-08M19-00  | BOLT, STUD                    | 4        | ULTRA LONG |
| 37             | 95380-08600-00  | NUT                           | 4        | ULTRA LONG |
| 38             | 92990-08600-00  | ..WASHER, PLATE               | 4        | ULTRA LONG |
| 39             | 93606-12019-00  | .PIN, DOWEL                   | 2        | ULTRA LONG |

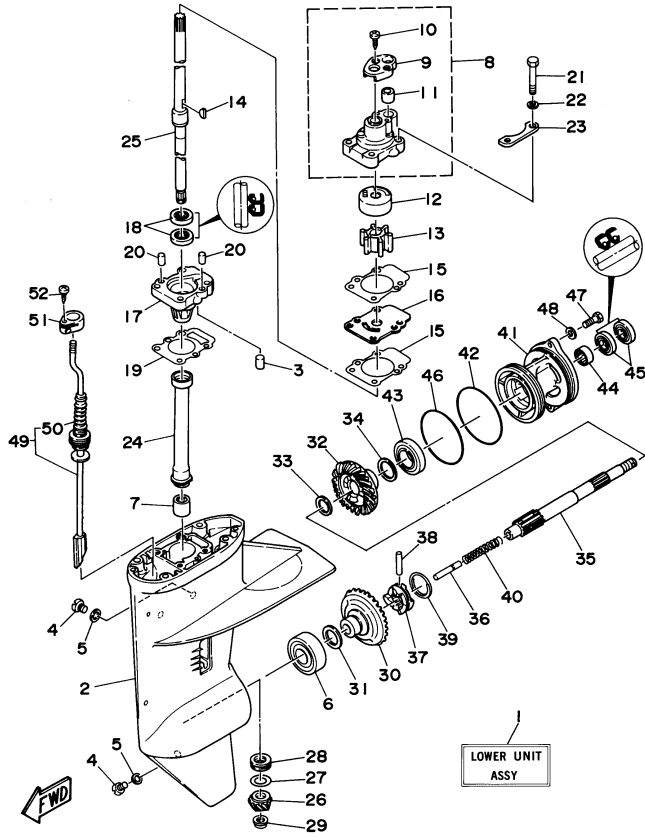
## Part Notes

T9.9ELRV 1997 / UPPER CASING

| PART NUMBER  | NOTE TEXT  |
|--|--|
| 92990-06600-00  | OEM: This part number is among the Top 100 Most Popular Marine Maintenance Parts as of March 2014. |
| 92990-06600-00  | OEM: This part number is among the Top 100 Most Popular Marine Maintenance Parts as of March 2014. |

©2014 Yamaha Motor Corporation, U.S.A. All rights reserved.

T9.9ELRV 1997 / LOWER CASING DRIVE 1



©2014 Yamaha Motor Corporation, U.S.A. All rights reserved.




## Part List

T9.9ELRV 1997 / LOWER CASING DRIVE 1

| REF<br>-<br>NO | PART<br>NUMBER  | PART NAME                     | QUANTITY | REMARKS       |
|----------------|-----------------|-------------------------------|----------|---------------|
| 1              | 6G8-45300-16-4D | LOWER UNIT ASSY               | 1        | UR LONG       |
| 1              | 6G8-45300-26-4D | LOWER UNIT ASSY               | 1        | UR ULTRA LONG |
| 2              | 6G8-45311-04-4D | CASING, LOWER                 | 1        |               |
| 3              | 93604-08062-00  | PIN, DOWEL                    | 1        |               |
| 4              | 90340-08M04-00  | PLUG, STRAIGHT SCREW          | 3        |               |
| 5              | 90430-08020-00  | .GASKET                       | 3        |               |
| 6              | 93332-00005-00  | BEARING                       | 1        |               |
| 7              | 93315-213V4-00  | BEARING                       | 1        |               |
| 8              | 682-44300-01-00 | HOUSING, WATER PUMP           | 1        |               |
| 9              | 682-44312-00-00 | .COVER, WATER PUMP<br>HOUSING | 1        |               |
| 10             | 97780-40112-00  | .SCREW, TAPPING               | 2        |               |
| 11             | 682-44365-00-00 | .DAMPER, WATER SEAL           | 1        |               |
| 12             | 682-44322-00-00 | INSERT, CARTRIDGE             | 1        |               |
| 13             | 682-44323-01-00 | IMPELLER                      | 1        |               |
| 14             | 90280-03024-00  | .KEY, WOODRUFF                | 1        |               |
| 15             | 682-44315-A0-00 | GASKET, WATER PUMP            | 2        |               |
| 16             | 682-44323-00-00 | OUTER PLATE, CARTRIDGE        | 1        |               |
| 17             | 6G8-45331-00-5B | HOUSING, BEARING              | 1        |               |
| 18             | 93101-20048-00  | .OIL SEAL                     | 2        |               |
| 19             | 6G8-45315-A0-00 | PACKING, LOWER CASING         | 1        |               |
| 20             | 93606-12019-00  | .PIN, DOWEL                   | 2        |               |
| 21             | 97095-06045-00  | .BOLT                         | 4        |               |
| 22             | 92990-06600-00  | WASHER, PLATE                 | 4        |               |
| 23             | 682-44328-00-00 | PLATE                         | 2        |               |
| 24             | 6G8-45536-00-00 | SLEEVE, DRIVE SHAFT           | 1        |               |
| 25             | 6G8-45501-20-00 | DRIVE SHAFT COMP.             | 1        | UR ULTRA LONG |
| 25             | 6G8-45501-10-00 | DRIVE SHAFT COMP.             | 1        | UR LONG       |
| 26             | 6G8-45551-00-00 | PINION (13T)                  | 1        |               |
| 27             | 6G8-45587-00-10 | SHIM (T:0.10MM)               | 1        | UR            |
| 27             | 6G8-45587-00-14 | SHIM (T:0.14MM)               | 1        | UR            |
| 27             | 6G8-45587-00-18 | SHIM (T:0.18MM)               | 1        | UR            |
| 27             | 6G8-45587-00-35 | SHIM (T:0.35MM)               | 1        | UR            |
| 27             | 6G8-45587-00-50 | SHIM (T:0.50MM)               | 1        | UR            |
| 28             | 93341-313U3-00  | BEARING                       | 1        |               |
| 29             | 90179-08M06-00  | NUT                           | 1        |               |
| 30             | 6G8-45560-00-00 | GEAR                          | 1        |               |
| 31             | 626-45577-00-01 | SHIM (T:0.10MM)               | 1        | UR            |
| 31             | 626-45577-00-03 | SHIM (T:0.30MM)               | 1        | UR            |
| 31             | 626-45577-00-05 | SHIM (T:0.50MM)               | 1        | UR            |
| 32             | 6G8-45571-00-00 | GEAR 2 (38T)                  | 1        |               |
| 33             | 90201-17682-00  | WASHER, PLATE                 | 1        |               |
| 34             | 626-45577-00-01 | SHIM (T:0.10MM)               | 1        | UR            |
| 34             | 626-45577-00-03 | SHIM (T:0.30MM)               | 1        | UR            |
| 34             | 626-45577-00-05 | SHIM (T:0.50MM)               | 1        | UR            |
| 35             | 6G8-45611-00-00 | SHAFT, PROPELLER              | 1        |               |
| 36             | 650-45635-00-00 | PLUNGER, SHIFT                | 1        |               |
| 37             | 682-45631-00-00 | CLUTCH, DOG                   | 1        |               |
| 38             | 90250-05010-00  | PIN, STRAIGHT                 | 1        |               |
| 39             | 648-45633-00-00 | RING, CROSS PIN               | 1        |               |
| 40             | 90501-14M06-00  | SPRING, COMPRESSION           | 1        |               |
| 41             | 6G8-45361-01-4D | CAP, LOWER CASING             | 1        |               |
| 42             | 93210-74316-00  | .O-RING                       | 1        |               |
| 43             | 93306-00519-00  | BEARING                       | 1        |               |
| 44             | 93315-317U2-00  | BEARING                       | 1        |               |
| 45             | 93101-17054-00  | .OIL SEAL                     | 2        |               |
| 46             | 93210-74M68-00  | .O-RING                       | 1        |               |
| 47             | 97095-06020-00  | BOLT                          | 2        |               |
| 48             | 92990-06600-00  | WASHER, PLATE                 | 2        |               |
| 49             | 6G8-44150-10-00 | SHIFT CAM ASSY                | 1        | UR LONG       |
| 49             | 6G8-44150-20-00 | SHIFT CAM ASSY                | 1        | UR ULTRA LONG |
| 50             | 682-44147-00-00 | .BOOT, SHIFT ROD              | 1        |               |
| 51             | 682-44176-00-00 | BRACKET                       | 1        |               |
| 52             | 97780-50110-00  | SCREW, PAN HEAD               | 1        |               |

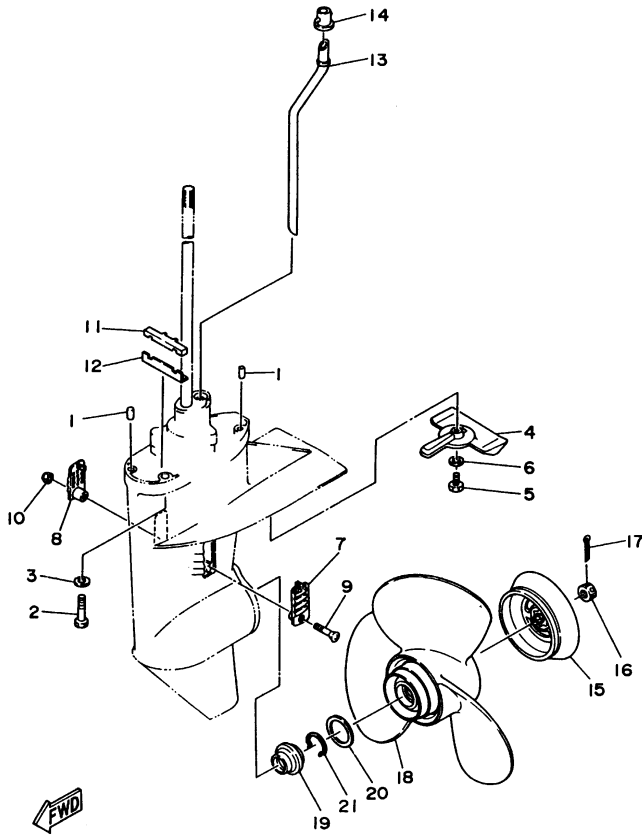
## Part Notes

T9.9ELRV 1997 / LOWER CASING DRIVE 1

| PART NUMBER  | NOTE TEXT  |
|--|--|
| 90430-08020-00  | OEM: This part number is among the Top 100 Most Popular Marine Maintenance Parts as of March 2014. |
| 92990-06600-00  | OEM: This part number is among the Top 100 Most Popular Marine Maintenance Parts as of March 2014. |
| 92990-06600-00  | OEM: This part number is among the Top 100 Most Popular Marine Maintenance Parts as of March 2014. |

©2014 Yamaha Motor Corporation, U.S.A. All rights reserved.

T9.9ELRV 1997 / LOWER CASING DRIVE 2



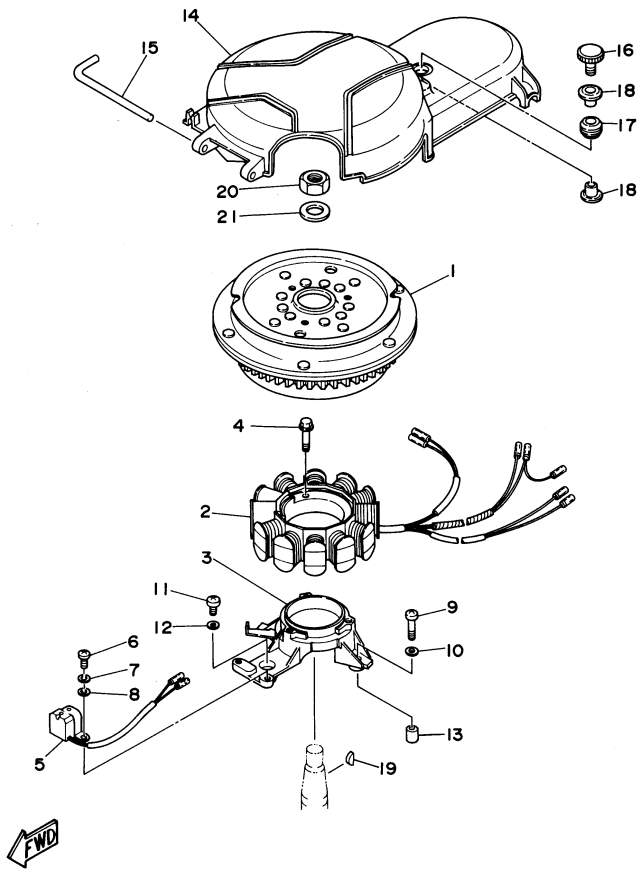
©2014 Yamaha Motor Corporation, U.S.A. All rights reserved.

## Part List

T9.9ELRV 1997 / LOWER CASING DRIVE 2

| REF<br>-<br>NO | PART<br>NUMBER  | PART NAME                      | QUANTITY | REMARKS                |
|----------------|-----------------|--------------------------------|----------|------------------------|
| 1              | 93606-12019-00  | .PIN, DOWEL                    | 2        |                        |
| 2              | 97095-08035-00  | BOLT                           | 4        |                        |
| 3              | 92990-08600-00  | ..WASHER, PLATE                | 4        |                        |
| 4              | 6G8-45251-00-00 | ANODE                          | 1        |                        |
| 5              | 95895-06020-00  | BOLT, FLANGE                   | 1        |                        |
| 6              | 92990-06300-00  | WASHER, INTERNAL TOOTH         | 1        |                        |
| 7              | 6G8-45214-00-00 | COVER, WATER INLET 1           | 1        |                        |
| 8              | 6G8-45215-00-00 | COVER, WATER INLET 2           | 1        |                        |
| 9              | 98780-05525-00  | SCREW, FLAT HEAD               | 1        |                        |
| 10             | 90185-05904-00  | NUT, SELF-LOCKING              | 1        |                        |
| 11             | 682-45375-01-00 | DAMPER, SEAL                   | 1        |                        |
| 12             | 682-45376-01-00 | GUIDE, SEAL DAMPER             | 1        |                        |
| 13             | 6G8-44361-20-00 | TUBE, WATER                    | 1        | UR ULTRA LONG          |
| 13             | 6G8-44361-10-00 | TUBE, WATER                    | 1        | UR LONG                |
| 14             | 626-44365-01-00 | DAMPER, WATER SEAL             | 1        |                        |
| 15             | 6G8-45986-00-00 | RING, DEFLECTOR                | 1        |                        |
| 16             | 90171-10M07-00  | NUT, CASTLE                    | 1        |                        |
| 17             | 91490-30030-00  | PIN, COTTER                    | 1        |                        |
| 18             | 6G8-45947-00-EL | PROPELLER (3X11-3/4"X9-1/4"-R) | 1        | UR ALUMINUM            |
| 18             | 6G8-45945-00-00 | PROPELLER(3X11-3/4"X12-1/4"-R) | 1        | UR PLASTIC DUAL THRUST |
| 18             | 6G8-45941-00-00 | PROPELLER (3X11" X 11-3/4"-R)  | 1        | UR PLASTIC DUAL THRUST |
| 18             | 6G8-45943-00-00 | PROPELLER (3X11-3/4"X9-1/4"-R) | 1        | UR PLASTIC DUAL THRUST |
| 19             | 6G8-45987-02-00 | SPACER 1                       | 1        |                        |
| 20             | 90201-31MA3-00  | WASHER, PLATE                  | 1        |                        |
| 21             | 93450-10M04-00  | CIRCLIP                        | 1        |                        |

T9.9ELRV 1997 / GENERATOR



©2014 Yamaha Motor Corporation, U.S.A. All rights reserved.



## Part List

T9.9ELRV 1997 / GENERATOR

| REF<br>-<br>NO | PART<br>NUMBER  | PART NAME                    | QUANTITY | REMARKS   |
|----------------|-----------------|------------------------------|----------|-----------|
| 1              | 6G8-85550-11-00 | ROTOR ASSY                   | 1        | UR T9.9MH |
| 1              | 6G8-85550-01-00 | ROTOR ASSY                   | 1        | UR T9.9EH |
| 2              | 6G8-85510-01-00 | STATOR ASSY                  | 1        |           |
| 3              | 6G8-85561-00-94 | BASE, MAGNETO                | 1        |           |
| 4              | 95024-06025-00  | BOLT, FLANGE (SMALL<br>HEAD) | 3        |           |
| 5              | 6G8-85580-02-00 | .COIL, PULSER                | 1        |           |
| 6              | 98580-05012-00  | .SCREW, PAN HEAD             | 2        |           |
| 7              | 92990-05100-00  | .WASHER, SPRING              | 2        |           |
| 8              | 92990-05600-00  | WASHER, PLATE                | 2        |           |
| 9              | 98580-06025-00  | SCREW, PAN HEAD              | 2        |           |
| 10             | 92990-06600-00  | WASHER, PLATE                | 2        |           |
| 11             | 98580-06020-00  | SCREW, PAN HEAD              | 1        |           |
| 12             | 92990-06600-00  | WASHER, PLATE                | 1        |           |
| 13             | 99530-08012-00  | PIN, DOWEL                   | 2        |           |
| 14             | 6G8-81337-01-00 | COVER, FLYWHEEL              | 1        |           |
| 15             | 6G8-42752-00-00 | SHAFT                        | 1        |           |
| 16             | 6G8-81323-00-00 | SCREW 1                      | 1        |           |
| 17             | 90480-15M31-00  | GROMMET                      | 1        |           |
| 18             | 90387-06M71-00  | COLLAR                       | 2        |           |
| 19             | 90280-16053-00  | KEY, WOODRUFF                | 1        |           |
| 20             | 90170-12066-00  | NUT                          | 1        |           |
| 21             | 90201-12472-00  | WASHER, PLATE                | 1        |           |

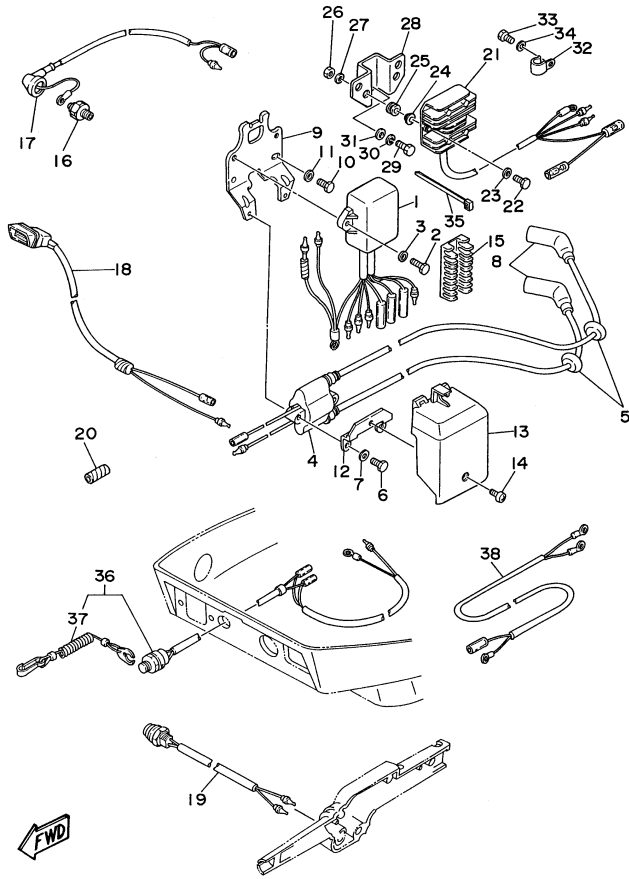
## Part Notes

T9.9ELRV 1997 / GENERATOR

| PART NUMBER  | NOTE TEXT  |
|--|--|
| 92990-06600-00  | OEM: This part number is among the Top 100 Most Popular Marine Maintenance Parts as of March 2014. |
| 92990-06600-00  | OEM: This part number is among the Top 100 Most Popular Marine Maintenance Parts as of March 2014. |

©2014 Yamaha Motor Corporation, U.S.A. All rights reserved.

T9.9ELRV 1997 / ELECTRIC PARTS



©2014 Yamaha Motor Corporation, U.S.A. All rights reserved.










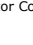
Part List

T9.9ELRV 1997 / ELECTRIC PARTS

| REF - NO | PART NUMBER     | PART NAME                  | QUANTITY | REMARKS                     |
|----------|-----------------|----------------------------|----------|-----------------------------|
| 1        | 6G8-85540-22-00 | C.D.I. UNIT ASSEMBLY       | 1        |                             |
| 2        | 97095-06020-00  | BOLT                       | 2        |                             |
| 3        | 92990-06600-00  | WASHER, PLATE              | 2        |                             |
| 4        | 6G8-85570-21-00 | IGNITION COIL ASSY         | 1        |                             |
| 5        | 90480-25161-00  | GROMMET                    | 2        |                             |
| 6        | 97095-06025-00  | BOLT                       | 2        |                             |
| 7        | 92990-06600-00  | WASHER, PLATE              | 2        |                             |
| 8        | 6G8-82370-20-00 | PLUG CAP ASSEMBLY          | 2        |                             |
| 9        | 6G8-85542-00-00 | BRACKET                    | 1        |                             |
| 10       | 97095-06020-00  | BOLT                       | 2        |                             |
| 11       | 92990-06600-00  | WASHER, PLATE              | 2        |                             |
| 12       | 6G8-85525-00-00 | PLATE                      | 1        |                             |
| 13       | 6G8-81916-00-00 | COVER, TERMINAL            | 1        |                             |
| 14       | 98980-06008-00  | SCREW, BIND                | 1        |                             |
| 15       | 6G8-82522-00-00 | CLAMP, COUPLER             | 1        |                             |
| 16       | 6G8-82504-00-00 | OIL PRESSURE SWITCH ASSY   | 1        |                             |
| 17       | 6G8-82127-00-00 | WIRE, LEAD 2               | 1        |                             |
| 18       | 6G8-83582-01-00 | PILOT LIGHT ASSY           | 1        |                             |
| 19       | 6G8-82550-20-00 | ENGINE STOP SWITCH ASSY    | 1        | AP FOR HANDY REMOTE CONTROL |
| 19       | 6G8-82550-10-00 | ENGINE STOP SWITCH ASSY    | 1        |                             |
| 20       | 90446-10M02-00  | HOSE                       | 1        |                             |
| 21       | 6G8-81960-00-00 | RECTIFIER & REGULATOR ASSY | 1        |                             |
| 22       | 97095-06025-00  | BOLT                       | 2        |                             |
| 23       | 92990-06600-00  | WASHER, PLATE              | 2        |                             |
| 24       | 90387-06M70-00  | COLLAR                     | 2        |                             |
| 25       | 90480-13M24-00  | GROMMET                    | 2        |                             |
| 26       | 95380-06700-00  | NUT                        | 2        |                             |
| 27       | 92990-06600-00  | WASHER, PLATE              | 2        |                             |
| 28       | 6G8-81948-02-00 | BRACKET                    | 1        |                             |
| 29       | 97095-06020-00  | BOLT                       | 1        |                             |
| 30       | 92995-06100-00  | WASHER, SPRING             | 1        |                             |
| 31       | 92990-06600-00  | WASHER, PLATE              | 1        |                             |
| 32       | 90465-08028-00  | CLAMP                      | 1        |                             |
| 33       | 97013-06012-00  | BOLT                       | 1        |                             |
| 34       | 92990-06600-00  | WASHER, PLATE              | 1        |                             |
| 35       | 90465-13M11-00  | CLAMP                      | 1        |                             |
| 36       | 6G8-82575-00-00 | ENGINE STOP SWITCH ASSY    | 1        |                             |
| 37       | 682-82556-00-00 | LANYARD, STOP SWITCH       | 1        |                             |
| 38       | 6G8-81949-00-00 | WIRE, LEAD                 | 1        | AP FOR CHARGING             |

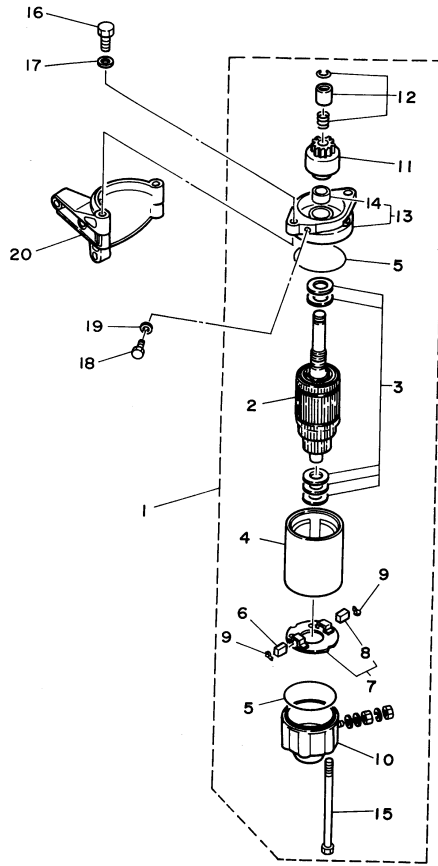
Part Notes

T9.9ELRV 1997 / ELECTRIC PARTS

| PART NUMBER   | NOTE TEXT  |
|---|--|
| 92990-06600-00   | OEM: This part number is among the Top 100 Most Popular Marine Maintenance Parts as of March 2014. |
| 92990-06600-00   | OEM: This part number is among the Top 100 Most Popular Marine Maintenance Parts as of March 2014. |
| 92990-06600-00   | OEM: This part number is among the Top 100 Most Popular Marine Maintenance Parts as of March 2014. |
| 92990-06600-00   | OEM: This part number is among the Top 100 Most Popular Marine Maintenance Parts as of March 2014. |
| 92990-06600-00   | OEM: This part number is among the Top 100 Most Popular Marine Maintenance Parts as of March 2014. |
| 92990-06600-00   | OEM: This part number is among the Top 100 Most Popular Marine Maintenance Parts as of March 2014. |
| 92990-06600-00   | OEM: This part number is among the Top 100 Most Popular Marine Maintenance Parts as of March 2014. |
| 682-82556-00-00  | OEM: This part number is among the Top 100 Most Popular Marine Maintenance Parts as of March 2014. |

©2014 Yamaha Motor Corporation, U.S.A. All rights reserved.

T9.9ELRV 1997 / ELECTRIC MOTOR EH ER



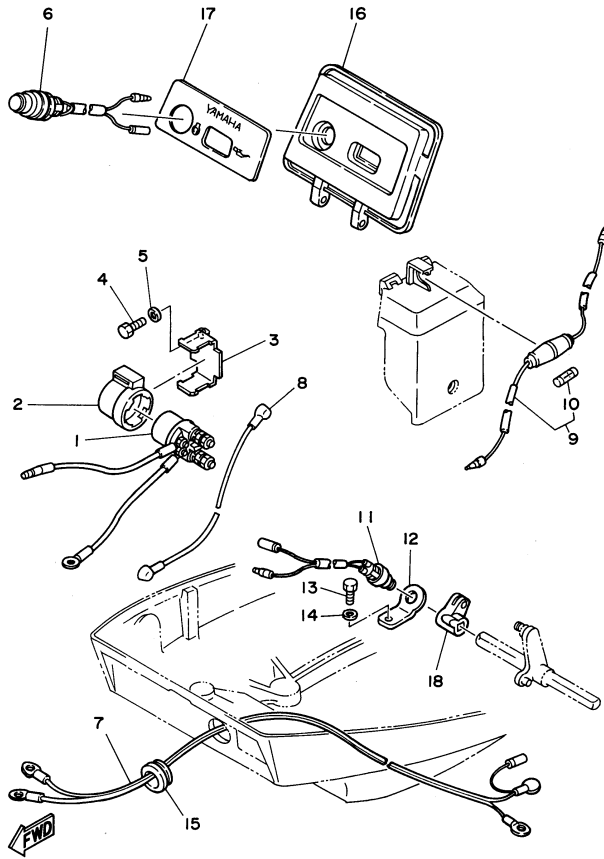
©2014 Yamaha Motor Corporation, U.S.A. All rights reserved.

## Part List

T9.9ELRV 1997 / ELECTRIC MOTOR EH ER

| REF<br>-<br>NO | PART<br>NUMBER  | PART NAME                     | QUANTITY | REMARKS |
|----------------|-----------------|-------------------------------|----------|---------|
| 1              | 6G8-81800-11-00 | STARTING MOTOR ASSY           | 1        |         |
| 2              | 689-81850-12-00 | .ARMATURE ASSY                | 1        |         |
| 3              | 689-81809-11-00 | .WASHER KIT                   | 1        |         |
| 4              | 689-81810-11-00 | .STATOR ASSY                  | 1        |         |
| 5              | 689-81847-11-00 | .O-RING                       | 2        |         |
| 6              | 689-81811-11-00 | .BRUSH 1                      | 1        |         |
| 7              | 689-81840-11-00 | .BRUSH HOLDER ASSY            | 1        |         |
| 8              | 689-81812-11-00 | ..BRUSH 2                     | 1        |         |
| 9              | 689-81813-10-00 | .SPRING, BRUSH                | 2        |         |
| 10             | 689-81820-11-00 | .REAR BRACKET ASSY            | 1        |         |
| 11             | 689-81807-12-00 | .GEAR ASSY, STARTING<br>MOTOR | 1        |         |
| 12             | 689-81857-11-00 | .PINION STOPPER SET           | 1        |         |
| 13             | 6F5-81830-11-00 | .FRONT BRACKET ASSY           | 1        |         |
| 14             | 689-81831-00-00 | ..METAL, FRONT                | 1        |         |
| 15             | 689-81826-10-00 | .BOLT                         | 2        |         |
| 16             | 97095-08025-00  | BOLT                          | 2        |         |
| 17             | 92990-08600-00  | ..WASHER, PLATE               | 2        |         |
| 18             | 97095-08016-00  | BOLT                          | 1        |         |
| 19             | 92990-08600-00  | ..WASHER, PLATE               | 1        |         |
| 20             | 6G8-81822-40-94 | BRACKET, STARTING MOTOR       | 1        |         |

T9.9ELRV 1997 / ELECTRIC PARTS 1 EH





©2014 Yamaha Motor Corporation, U.S.A. All rights reserved.

Part List T9.9ELRV 1997 / ELECTRIC PARTS 1 EH

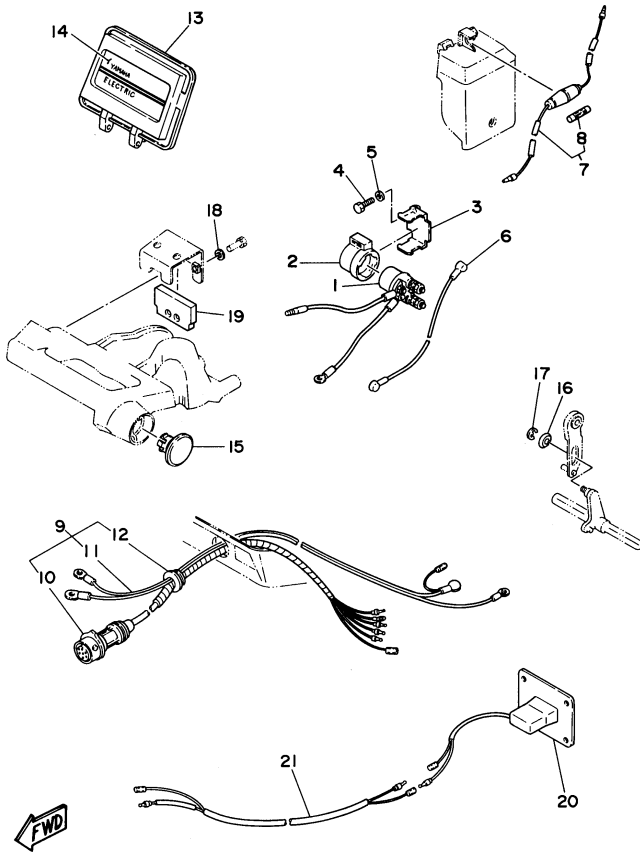
| REF - NO | PART NUMBER     | PART NAME            | QUANTITY | REMARKS |
|----------|-----------------|----------------------|----------|---------|
| 1        | 6J0-81941-10-00 | STARTER RELY ASSY    | 1        |         |
| 2        | 6G1-81952-00-00 | HOLDER, RELAY        | 1        |         |
| 3        | 6G8-81953-00-00 | STAY, RELAY          | 1        |         |
| 4        | 97013-06012-00  | BOLT                 | 1        |         |
| 5        | 92990-06600-00  | WASHER, PLATE        | 1        |         |
| 6        | 6G8-81870-00-00 | STARTING SWITCH ASSY | 1        |         |
| 7        | 6G8-82105-01-00 | BATTERY CABLE        | 1        |         |
| 8        | 6H4-82117-00-00 | WIRE, LEAD           | 1        |         |
| 9        | 6G8-82150-00-00 | FUSE HOLDER ASSY     | 1        |         |
| 10       | 682-82151-00-00 | .FUSE (12V-20A)      | 1        |         |
| 11       | 6H3-82540-00-00 | NEUTRAL SWITCH ASSY  | 1        |         |
| 12       | 6G8-82554-00-00 | STAY, NEUTRAL SWITCH | 1        |         |
| 13       | 97013-06012-00  | BOLT                 | 1        |         |
| 14       | 92990-06600-00  | WASHER, PLATE        | 1        |         |
| 15       | 6G8-42724-40-00 | GROMMET              | 1        |         |
| 16       | 6G8-42614-12-00 | PANEL, FRONT UPPER   | 1        |         |
| 17       | 6G8-42677-10-00 | GRAPHIC, FRONT       | 1        |         |
| 18       | 6G8-44125-00-00 | LEVER, SHIFT ROD     | 1        |         |

Part Notes T9.9ELRV 1997 / ELECTRIC PARTS 1 EH

| PART NUMBER  | NOTE TEXT  |
|--|--|
| 92990-06600-00  | OEM: This part number is among the Top 100 Most Popular Marine Maintenance Parts as of March 2014. |
| 92990-06600-00  | OEM: This part number is among the Top 100 Most Popular Marine Maintenance Parts as of March 2014. |

©2014 Yamaha Motor Corporation, U.S.A. All rights reserved.

T9.9ELRV 1997 / ELECTRIC PARTS 2 ER



©2014 Yamaha Motor Corporation, U.S.A. All rights reserved.



## Part List

T9.9ELRV 1997 / ELECTRIC PARTS 2 ER

| REF<br>-<br>NO | PART<br>NUMBER  | PART NAME           | QUANTITY | REMARKS |
|----------------|-----------------|---------------------|----------|---------|
| 1              | 6J0-81941-10-00 | STARTER RELY ASSY   | 1        |         |
| 2              | 6G1-81952-00-00 | HOLDER, RELAY       | 1        |         |
| 3              | 6G8-81953-00-00 | STAY, RELAY         | 1        |         |
| 4              | 97013-06012-00  | BOLT                | 1        |         |
| 5              | 92990-06600-00  | WASHER, PLATE       | 1        |         |
| 6              | 6H4-82117-00-00 | WIRE, LEAD          | 1        |         |
| 7              | 6G8-82150-00-00 | FUSE HOLDER ASSY    | 1        |         |
| 8              | 682-82151-00-00 | .FUSE (12V-20A)     | 1        |         |
| 9              | 6G8-82580-00-00 | WIRE HARNESS ASSY 2 | 1        |         |
| 10             | 6G8-82590-00-00 | .WIRE HARNESS ASSY  | 1        |         |
| 11             | 6G8-82105-01-00 | .BATTERY CABLE      | 1        |         |
| 12             | 6G8-42724-50-00 | .GROMMET            | 1        |         |
| 13             | 6G8-42614-12-00 | PANEL, FRONT UPPER  | 1        |         |
| 14             | 6G8-42677-20-00 | GRAPHIC, FRONT      | 1        |         |
| 15             | 6G8-42551-00-00 | GROMMET             | 1        |         |
| 16             | 90387-06M73-00  | COLLAR              | 1        |         |
| 17             | 93430-04M03-00  | CIRCLIP             | 1        |         |
| 18             | 92990-06600-00  | WASHER, PLATE       | 2        |         |
| 19             | 6G8-48351-51-00 | SEAL RUBBER         | 1        |         |
| 20             | 6G8-83530-00-00 | PILOT LIGHT ASSY    | 1        |         |
| 21             | 6G8-82541-00-00 | WIRE, LEAD          | 1        |         |

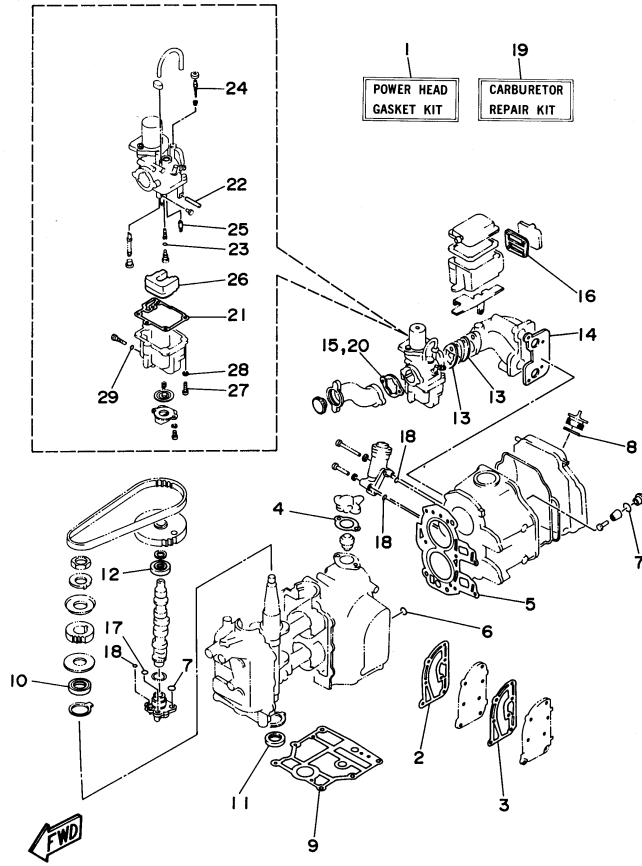
## Part Notes

T9.9ELRV 1997 / ELECTRIC PARTS 2 ER

| PART NUMBER  | NOTE TEXT  |
|--|--|
| 92990-06600-00  | OEM: This part number is among the Top 100 Most Popular Marine Maintenance Parts as of March 2014. |
| 92990-06600-00  | OEM: This part number is among the Top 100 Most Popular Marine Maintenance Parts as of March 2014. |

©2014 Yamaha Motor Corporation, U.S.A. All rights reserved.

T9.9ELRV 1997 / REPAIR KIT 1



©2014 Yamaha Motor Corporation, U.S.A. All rights reserved.

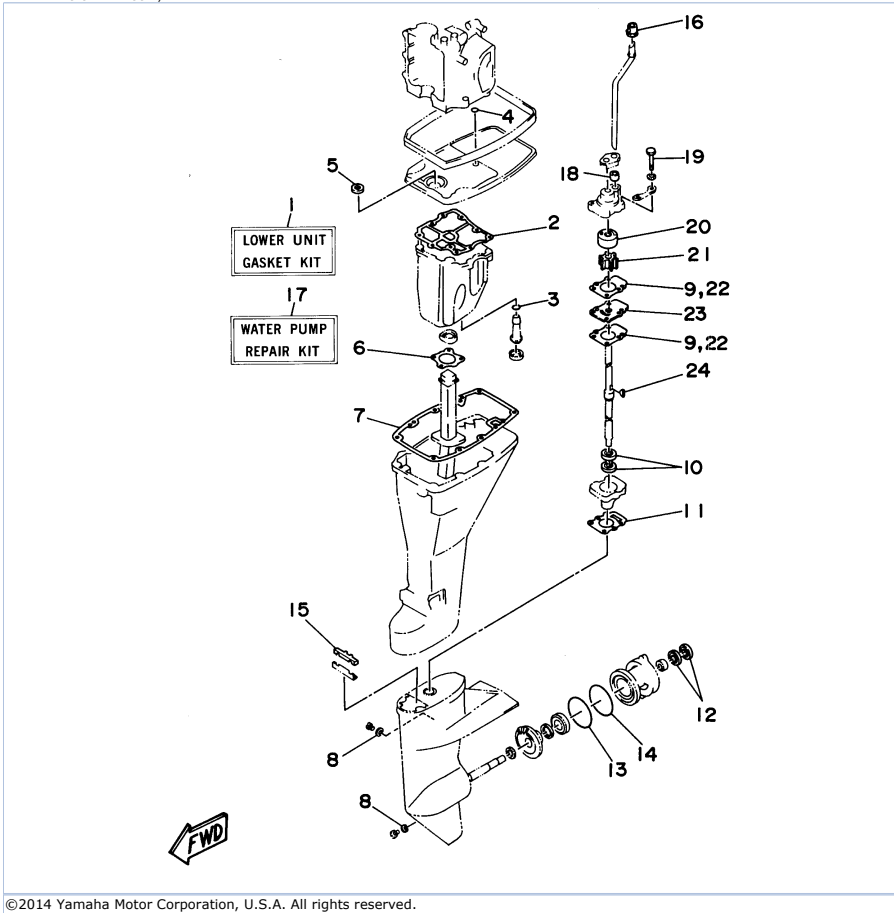


## Part List

T9.9ELRV 1997 / REPAIR KIT 1

| REF<br>-<br>NO | PART<br>NUMBER  | PART NAME                       | QUANTITY | REMARKS |
|----------------|-----------------|---------------------------------|----------|---------|
| 1              | 6G8-W0001-A3-00 | POWER HEAD GASKET KIT           | 1        |         |
| 2              | 6G8-41112-02-00 | .GASKET, EXHAUST INNER<br>COVER | 1        |         |
| 3              | 6G8-41114-00-00 | .GASKET, EXHAUST OUTER<br>COVER | 1        |         |
| 4              | 6G8-12414-A0-00 | .GASKET, COVER                  | 1        |         |
| 5              | 6G8-11181-A1-00 | .GASKET, CYLINDER HEAD 1        | 1        |         |
| 6              | 93210-11M59-00  | .O-RING                         | 1        |         |
| 7              | 93210-13M63-00  | .O-RING                         | 3        |         |
| 8              | 93210-25070-00  | .O-RING                         | 1        |         |
| 9              | 6G8-11351-A0-00 | .GASKET, CYLINDER               | 1        |         |
| 10             | 93102-30M22-00  | .OIL SEAL                       | 1        |         |
| 11             | 93101-25M24-00  | .OIL SEAL                       | 1        |         |
| 12             | 93102-18M21-00  | .OIL SEAL                       | 1        |         |
| 13             | 6G8-13646-A0-00 | .GASKET, MANIFOLD 2             | 2        |         |
| 14             | 6G8-13645-00-00 | .GASKET, MANIFOLD 1             | 1        |         |
| 15             | 6G8-14198-A0-00 | .GASKET                         | 1        |         |
| 16             | 6G8-15374-00-00 | .GASKET, BREATHER               | 1        |         |
| 17             | 93210-10M61-00  | .O-RING                         | 1        |         |
| 18             | 93210-09M01-00  | .O-RING                         | 3        |         |
| 19             | 6G8-W0093-03-00 | CARBURETOR REPAIR KIT           | 1        |         |
| 20             | 6G8-14198-A0-00 | .GASKET                         | 1        |         |
| 21             | 6G8-14384-01-00 | .GASKET, FLOAT CHAMBER          | 1        |         |
| 22             | 647-14386-10-00 | .PIN, FLOAT                     | 1        |         |
| 23             | 654-14198-00-00 | .GASKET                         | 1        |         |
| 24             | 6G8-14323-00-00 | .SCREW, AIR ADJUSTING           | 1        |         |
| 25             | 6G8-14392-00-00 | .VALVE, NEEDLE                  | 1        |         |
| 26             | 6G8-14385-00-00 | .FLOAT                          | 1        |         |
| 27             | 98580-04014-00  | .SCREW, PAN HEAD                | 1        |         |
| 28             | 92990-04100-00  | .WASHER, SPRING                 | 1        |         |
| 29             | 5Y1-14397-00-00 | .O-RING                         | 1        |         |

T9.9ELRV 1997 / REPAIR KIT 2



©2014 Yamaha Motor Corporation, U.S.A. All rights reserved.


Part List

T9.9ELRV 1997 / REPAIR KIT 2

| REF - NO | PART NUMBER     | PART NAME                   | QUANTITY | REMARKS |
|----------|-----------------|-----------------------------|----------|---------|
| 1        | 6G8-W0001-C5-00 | LOWER UNIT GASKET KIT       | 1        |         |
| 2        | 6G8-15312-A0-00 | .GASKET, OIL PAN            | 1        |         |
| 3        | 93210-16716-00  | .O-RING                     | 1        |         |
| 4        | 93210-08M60-00  | .O-RING                     | 1        |         |
| 5        | 93101-13M27-00  | .O-RING                     | 1        |         |
| 6        | 6G8-41133-A0-00 | .GASKET, EXHAUST MANIFOLD 1 | 1        |         |
| 7        | 6G8-45113-A1-00 | .GASKET, UPPER CASING       | 1        |         |
| 8        | 90430-08020-00  | .GASKET                     | 3        |         |
| 9        | 682-44315-A0-00 | .GASKET, WATER PUMP         | 2        |         |
| 10       | 93101-20048-00  | .OIL SEAL                   | 2        |         |
| 11       | 6G8-45315-A0-00 | .PACKING, LOWER CASING      | 1        |         |
| 12       | 93101-17054-00  | .OIL SEAL                   | 2        |         |
| 13       | 93210-74M68-00  | .O-RING                     | 1        |         |
| 14       | 93210-74316-00  | .O-RING                     | 1        |         |
| 15       | 682-45375-01-00 | .DAMPER, SEAL               | 1        |         |
| 16       | 626-44365-01-00 | .DAMPER, WATER SEAL         | 1        |         |
| 17       | 682-W0078-A2-00 | WATER PUMP REPAIR KIT       | 1        |         |
| 18       | 682-44365-00-00 | .DAMPER, WATER SEAL         | 1        |         |
| 19       | 97095-06045-00  | .BOLT                       | 4        |         |
| 20       | 682-44322-00-00 | .INSERT, CARTRIDGE          | 1        |         |
| 21       | 682-44352-01-00 | .IMPELLER                   | 1        |         |
| 22       | 682-44315-A0-00 | .GASKET, WATER PUMP         | 2        |         |
| 23       | 682-44323-00-00 | .OUTER PLATE, CARTRIDGE     | 1        |         |
| 24       | 90280-03024-00  | .KEY, WOODRUFF              | 1        |         |

Part Notes

T9.9ELRV 1997 / REPAIR KIT 2

| PART NUMBER  | NOTE TEXT  |
|--|--|
| 90430-08020-00  | OEM: This part number is among the Top 100 Most Popular Marine Maintenance Parts as of March 2014. |

©2014 Yamaha Motor Corporation, U.S.A. All rights reserved.

©2014 Yamaha Motor Corporation, U.S.A. All rights reserved.