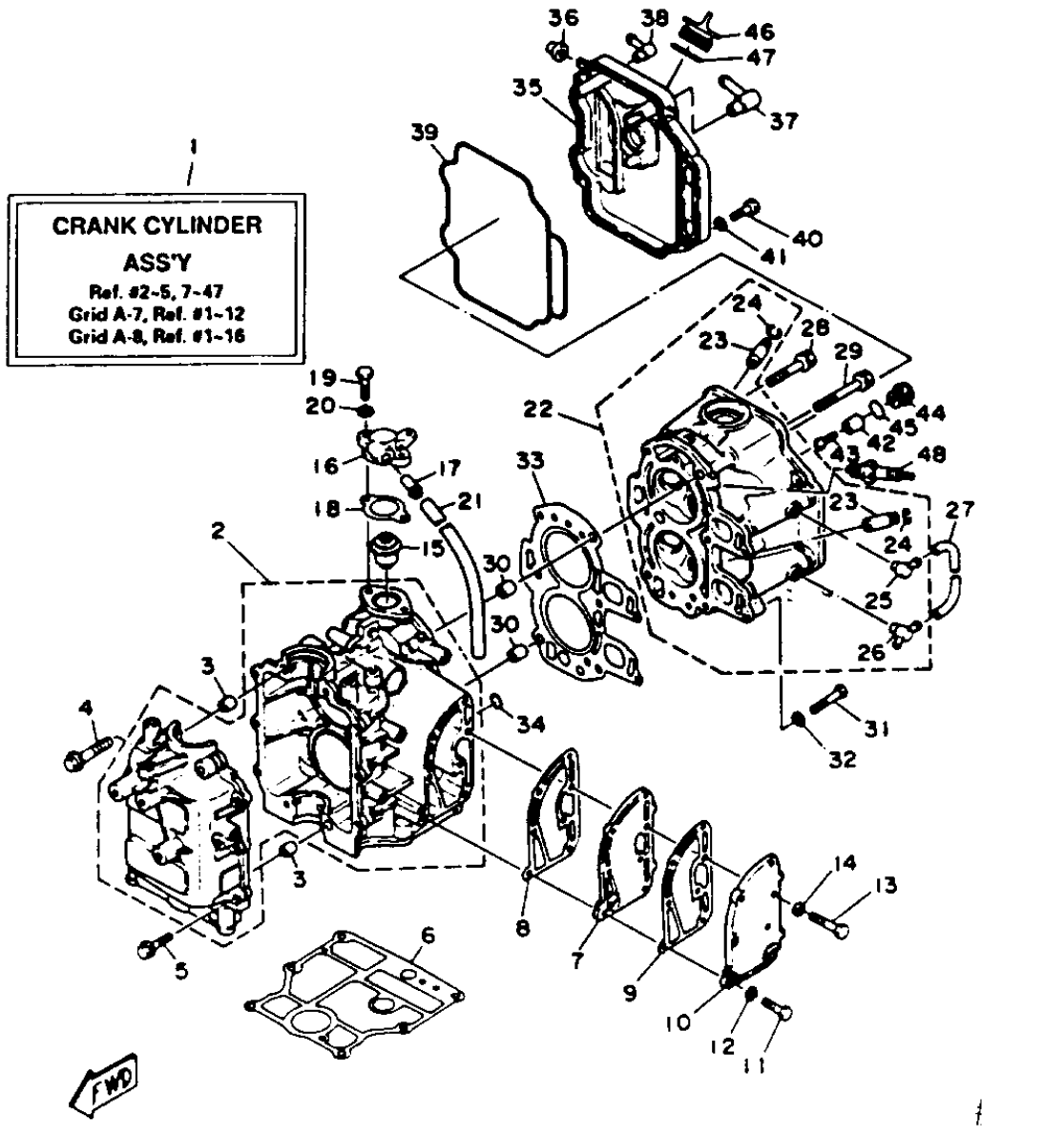


T9.9ELRR 1993 / CYLINDER CRANKCASE



©2014 Yamaha Motor Corporation, U.S.A. All rights reserved.



## Part List




T9.9ELRR 1993 / CYLINDER CRANKCASE

| REF - NO | PART NUMBER     | PART NAME                           | QUANTITY | REMARKS                   |
|----------|-----------------|-------------------------------------|----------|---------------------------|
| 1        | 6G8-W0090-30-EK | CRANK-CYLINDER ASSEMBLY             | 1        | UR METALLIC MARINE SILVER |
| 1        | 6G8-W0090-30-EL | CRANK-CYLINDER ASSEMBLY             | 1        | UR HARBOR WHITE           |
| 2        | 6G8-15100-05-94 | CRANKCASE ASSEMBLY                  | 1        |                           |
| 3        | 99510-10114-00  | PIN, DOWEL                          | 2        |                           |
| 4        | 90119-08M18-00  | BOLT, WITH WASHER                   | 4        |                           |
| 5        | 90119-06M12-00  | BOLT, WITH WASHER                   | 6        |                           |
| 6        | 6G8-11351-A0-00 | GASKET, CYLINDER                    | 1        |                           |
| 7        | 6G8-41111-02-9M | INNER COVER, EXHAUST                | 1        |                           |
| 8        | 6G8-41112-02-00 | GASKET, EXHAUST INNER COVER         | 1        |                           |
| 9        | 6G8-41114-00-00 | GASKET, EXHAUST OUTER COVER         | 1        |                           |
| 10       | 6G8-41113-01-9M | OUTER COVER, EXHAUST                | 1        |                           |
| 11       | 97313-06025-00  | BOLT                                | 2        |                           |
| 12       | 92990-06600-00  | WASHER, PLATE                       | 2        |                           |
| 13       | 97313-06030-00  | BOLT                                | 5        |                           |
| 14       | 92990-06600-00  | WASHER, PLATE                       | 5        |                           |
| 15       | 6G8-12411-02-00 | THERMOSTAT                          | 1        |                           |
| 16       | 6G8-12413-00-94 | COVER, THERMOSTAT (6G8-12413-00-9M) | 1        |                           |
| 17       | 6E5-24377-00-00 | PIPE, JOINT 2                       | 1        |                           |
| 18       | 6G8-12414-A0-00 | .GASKET, COVER                      | 1        |                           |
| 19       | 97313-06020-00  | BOLT, HEXAGON                       | 2        |                           |
| 20       | 92990-06600-00  | WASHER, PLATE                       | 2        |                           |
| 21       | 90445-11M66-00  | .HOSE (L410)                        | 1        |                           |
| 22       | 6G8-11111-02-94 | HEAD, CYLINDER 1                    | 1        |                           |
| 23       | 6G8-11133-10-00 | .GUIDE, VALVE 1                     | 4        |                           |
| 24       | 93450-09M01-00  | .CIRCLIP                            | 4        |                           |
| 25       | 676-11372-00-00 | .NIPPLE, HOSE                       | 1        |                           |
| 26       | 6G8-11372-01-00 | .NIPPLE, HOSE                       | 1        |                           |
| 27       | 6G8-12481-00-00 | PIPE 1                              | 1        |                           |
| 28       | 90105-08M37-00  | BOLT, FLANGE                        | 3        |                           |
| 29       | 90105-08M36-00  | BOLT, FLANGE                        | 3        |                           |
| 30       | 99510-10114-00  | PIN, DOWEL                          | 2        |                           |
| 31       | 97013-06035-00  | BOLT                                | 2        |                           |
| 32       | 92990-06600-00  | WASHER, PLATE                       | 2        |                           |
| 33       | 6G8-11181-A0-00 | GASKET, CYLINDER HEAD 1             | 1        |                           |
| 34       | 93210-11M59-00  | O-RING                              | 1        |                           |
| 35       | 6G8-11191-01-94 | COVER, CYLINDER HEAD 1              | 1        |                           |
| 36       | 6G8-81336-00-00 | GROMMET                             | 2        |                           |
| 37       | 6G8-15373-00-00 | PIPE, BREATHER                      | 1        |                           |
| 38       | 676-11372-00-00 | .NIPPLE, HOSE                       | 1        |                           |
| 39       | 6G8-11356-00-00 | SEAL, CYLINDER 2                    | 1        |                           |
| 40       | 97313-06020-00  | BOLT, HEXAGON                       | 4        |                           |
| 41       | 92990-06600-00  | WASHER, PLATE                       | 4        |                           |
| 42       | 6G8-11325-00-00 | ANODE                               | 1        |                           |
| 43       | 98580-05525-00  | SCREW, PAN HEAD                     | 1        |                           |
| 44       | 6G8-11197-00-00 | PLUG, BLIND                         | 1        |                           |
| 45       | 93210-13M63-00  | .O-RING                             | 1        |                           |
| 46       | 6G8-15363-00-00 | PLUG, OIL                           | 1        |                           |
| 47       | 93210-25070-00  | O-RING                              | 1        |                           |
| 48       | NGK-CR6HS-00-00 | PLUG SPARK (NGK CR6HS)              | 2        |                           |

## Part Notes

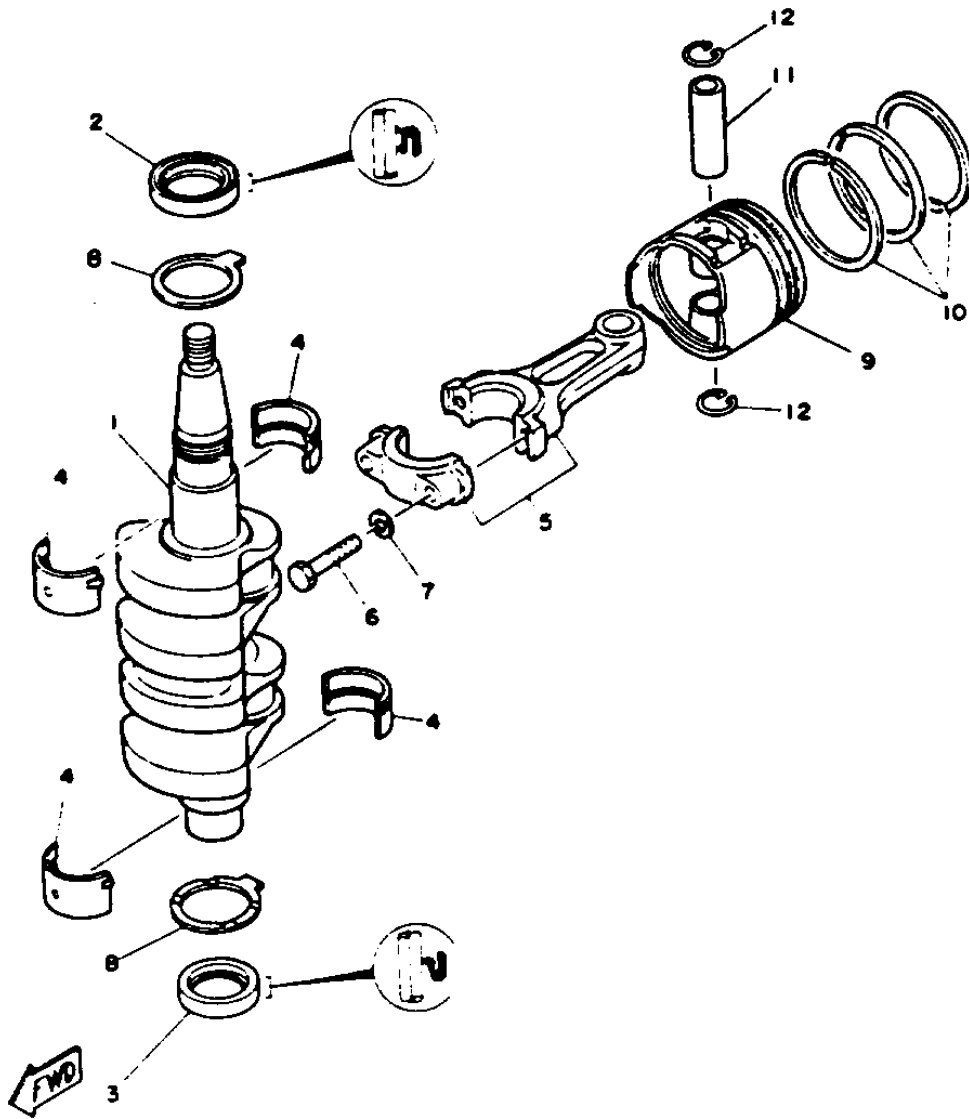
T9.9ELRR 1993 / CYLINDER CRANKCASE

| PART NUMBER  | NOTE TEXT  |
|--|--|
| 92990-06600-00  | OEM: This part number is among the Top 100 Most Popular Marine Maintenance Parts as of March 2014. |
| 92990-06600-00  | OEM: This part number is among the Top 100 Most Popular Marine Maintenance Parts as of March 2014. |
| 92990-06600-00   | OEM: This part number is among the Top 100 Most Popular Marine Maintenance Parts as of March 2014. |

|                |   |  |
|----------------|---|--|
|                |  |  |
| 92990-06600-00 |  | OEM: This part number is among the Top 100 Most Popular Marine Maintenance Parts as of March 2014. |
| 92990-06600-00 |  | OEM: This part number is among the Top 100 Most Popular Marine Maintenance Parts as of March 2014. |

©2014 Yamaha Motor Corporation, U.S.A. All rights reserved.

T9.9ELRR 1993 / CRANKSHAFT PISTON



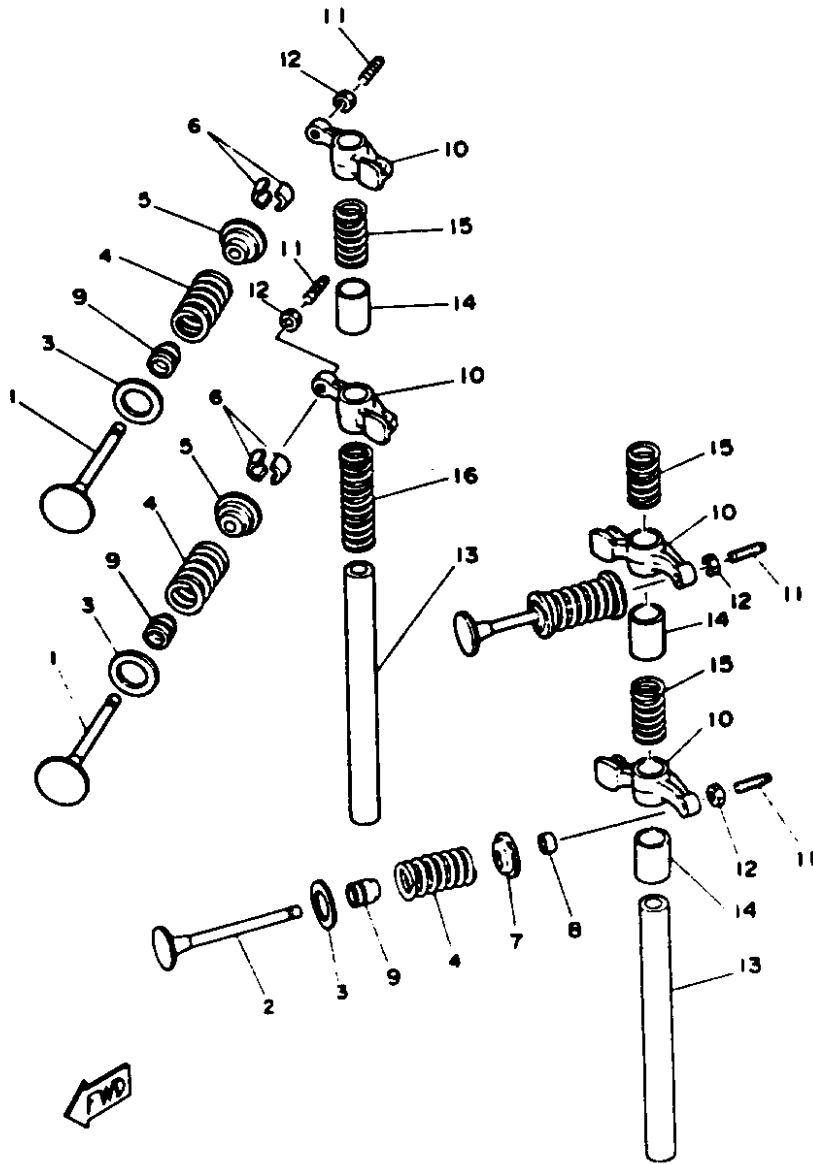
©2014 Yamaha Motor Corporation, U.S.A. All rights reserved.

## Part List

T9.9ELRR 1993 / CRANKSHAFT PISTON

| REF<br>-<br>NO | PART<br>NUMBER  | PART NAME                       | QUANTITY | REMARKS  |
|----------------|-----------------|---------------------------------|----------|----------|
| 1              | 6G8-11411-04-00 | CRANKSHAFT                      | 1        |          |
| 2              | 93102-30M22-00  | .OIL SEAL                       | 1        |          |
| 3              | 93101-25M24-00  | OIL SEAL                        | 1        |          |
| 4              | 6G8-11416-10-00 | PLANE BEARING,<br>CRANKSHAFT 1  | 4        | UR BLACK |
| 4              | 6G8-11416-00-00 | PLANE BEARING,<br>CRANKSHAFT 1  | 4        | UR BROWN |
| 4              | 6G8-11416-20-00 | PLANE BEARING,<br>CRANKSHAFT 1  | 4        | UR BLUE  |
| 5              | 6G8-11650-03-00 | CONNECTING ROD ASSY             | 2        |          |
| 6              | 6G8-11654-00-00 | BOLT, CONNECTING ROD            | 4        |          |
| 7              | 90201-06M00-00  | WASHER, PLATE                   | 4        |          |
| 8              | 6G8-11426-00-00 | PLANE BEARING,<br>CRANKSHAFT 1  | 2        |          |
| 9              | 6G8-11631-03-96 | PISTON (STD)                    | 2        |          |
| 9              | 6G8-11636-03-00 | PISTON (0.50MM O/S)             | 2        | AP       |
| 10             | 6G8-11610-02-00 | PISTON RING SET (STD)           | 2        |          |
| 10             | 6G8-11610-22-00 | PISTON RING SET (0.50MM<br>O/S) | 2        | AP       |
| 11             | 634-11633-00-00 | PIN, PISTON                     | 2        |          |
| 12             | 93450-15023-00  | CIRCLIP                         | 4        |          |

T9.9ELRR 1993 / VALVE



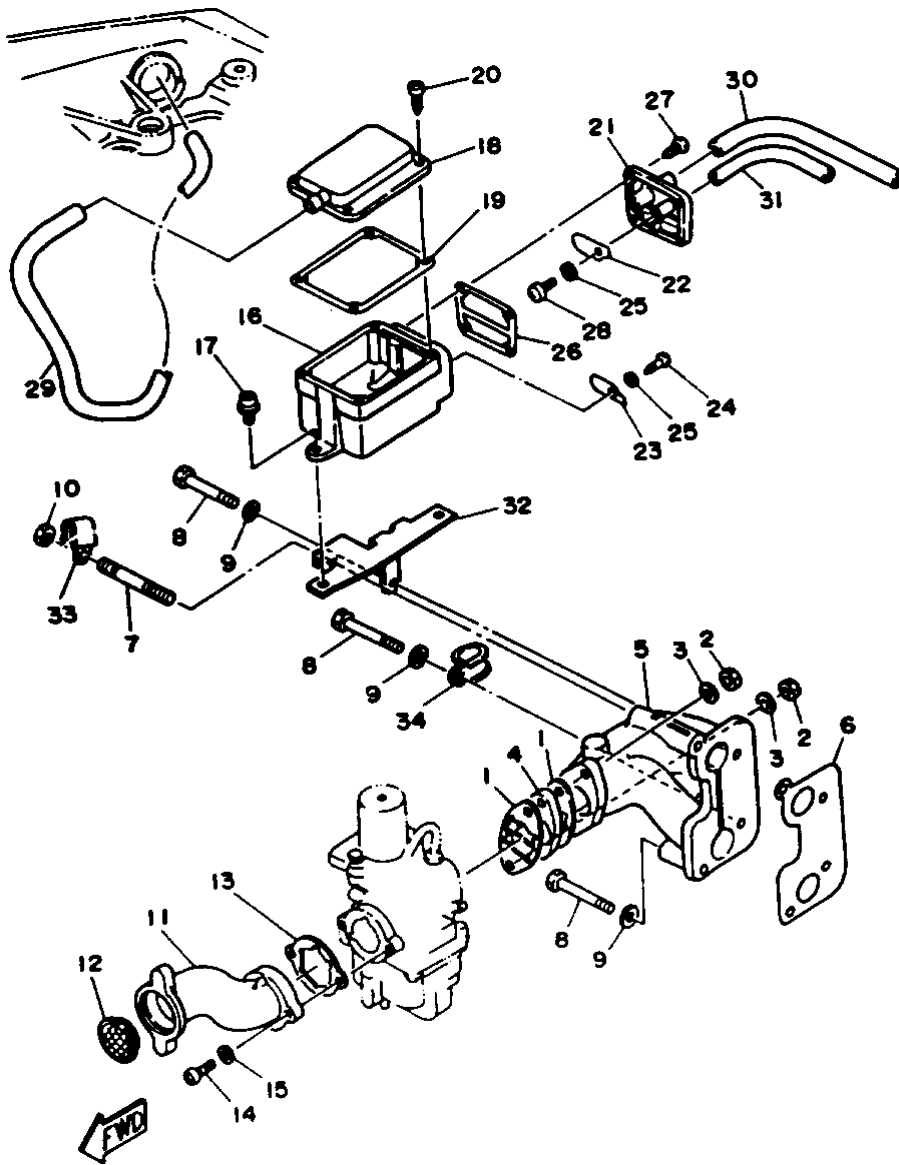
©2014 Yamaha Motor Corporation, U.S.A. All rights reserved.

## Part List

T9.9ELRR 1993 / VALVE

| REF<br>-<br>NO | PART<br>NUMBER  | PART NAME                      | QUANTITY | REMARKS |
|----------------|-----------------|--------------------------------|----------|---------|
| 1              | 6G8-12111-00-00 | VALVE, INTAKE                  | 2        |         |
| 2              | 6G8-12121-01-00 | VALVE, EXHAUST                 | 2        |         |
| 3              | 6G8-12116-00-00 | SEAT, VALVE SPRING             | 4        |         |
| 4              | 6G8-12113-00-00 | SPRING, VALVE INNER            | 4        |         |
| 5              | 6G8-12117-00-00 | RETAINER, VALVE SPRING         | 2        |         |
| 6              | 30X-12118-00-00 | LOCK, VALVE SPRING<br>RETAINER | 4        |         |
| 7              | 6G8-12117-10-00 | RETAINER, VALVE SPRING         | 2        |         |
| 8              | 6G8-12153-00-00 | LIFTER, VALVE                  | 2        |         |
| 9              | 51Y-12119-00-00 | SEAL, VALVE STEM               | 4        |         |
| 10             | 6G8-12151-00-00 | ARM, VALVE ROCKER              | 4        |         |
| 11             | 6G8-12159-00-00 | SCREW, VALVE ADJUSTING         | 4        |         |
| 12             | 6G8-12158-00-00 | NUT, LOCK                      | 4        |         |
| 13             | 6G8-12146-00-00 | SHAFT, ROCKER                  | 2        |         |
| 14             | 90387-13M56-00  | COLLAR                         | 3        |         |
| 15             | 90501-12M40-00  | SPRING, COMPRESSION            | 3        |         |
| 16             | 90501-12M41-00  | SPRING, COMPRESSION            | 1        |         |

T9.9ELRR 1993 / INTAKE



©2014 Yamaha Motor Corporation, U.S.A. All rights reserved.





## Part List

T9.9ELRR 1993 / INTAKE

| REF<br>-<br>NO | PART<br>NUMBER  | PART NAME                | QUANTITY | REMARKS |
|----------------|-----------------|--------------------------|----------|---------|
| 1              | 6G8-13646-A0-00 | GASKET, MANIFOLD 2       | 2        |         |
| 2              | 95380-06700-00  | NUT                      | 2        |         |
| 3              | 92990-06600-00  | WASHER, PLATE            | 2        |         |
| 4              | 6G8-13647-00-00 | GASKET, MANIFOLD 3       | 1        |         |
| 5              | 6G8-13641-01-94 | MANIFOLD 1               | 1        |         |
| 6              | 6G8-13645-00-00 | GASKET, MANIFOLD 1       | 1        |         |
| 7              | 90116-06M15-00  | BOLT, STUD               | 1        |         |
| 8              | 97395-06045-00  | BOLT, HEXAGON            | 3        |         |
| 9              | 92990-06600-00  | WASHER, PLATE            | 3        |         |
| 10             | 95380-06700-00  | NUT                      | 1        |         |
| 11             | 6G8-14479-01-94 | FUNNEL                   | 1        |         |
| 12             | 6G8-14478-00-00 | LOUVER                   | 1        |         |
| 13             | 6G8-14198-A0-00 | .GASKET                  | 1        |         |
| 14             | 98580-05016-00  | SCREW, PAN HEAD          | 2        |         |
| 15             | 92990-05600-00  | WASHER, PLATE            | 2        |         |
| 16             | 6G8-15358-00-00 | SEPARATOR, OIL           | 1        |         |
| 17             | 90159-06M05-00  | SCREW, WITH WASHER       | 2        |         |
| 18             | 6G8-15368-00-94 | SEPERATOR, OIL           | 1        |         |
| 19             | 6G8-15369-00-00 | GASKET, OIL SEAL HOUSING | 1        |         |
| 20             | 97780-40112-00  | SCREW, TAPPING           | 4        |         |
| 21             | 6G8-15371-00-94 | BREATHER                 | 1        |         |
| 22             | 6G8-15346-00-00 | BREATHER 1               | 1        |         |
| 23             | 6G8-15347-00-00 | BREATHER 2               | 1        |         |
| 24             | 97780-40112-00  | SCREW, TAPPING           | 1        |         |
| 25             | 92990-04200-00  | WASHER                   | 2        |         |
| 26             | 6G8-15374-00-00 | GASKET, BREATHER         | 1        |         |
| 27             | 97780-40112-00  | SCREW, TAPPING           | 4        |         |
| 28             | 98580-04010-00  | .SCREW, PAN HEAD         | 1        |         |
| 29             | 6G8-15393-00-00 | PIPE, BREATHER 2         | 1        |         |
| 30             | 90445-11M52-00  | HOSE (L150)              | 1        |         |
| 31             | 90445-09065-00  | HOSE (L90)               | 1        |         |
| 32             | 6G8-15376-00-00 | HOLDER, GUIDE            | 1        |         |
| 33             | 90465-08028-00  | CLAMP                    | 1        |         |
| 34             | 90461-06M01-00  | CLAMP                    | 1        |         |

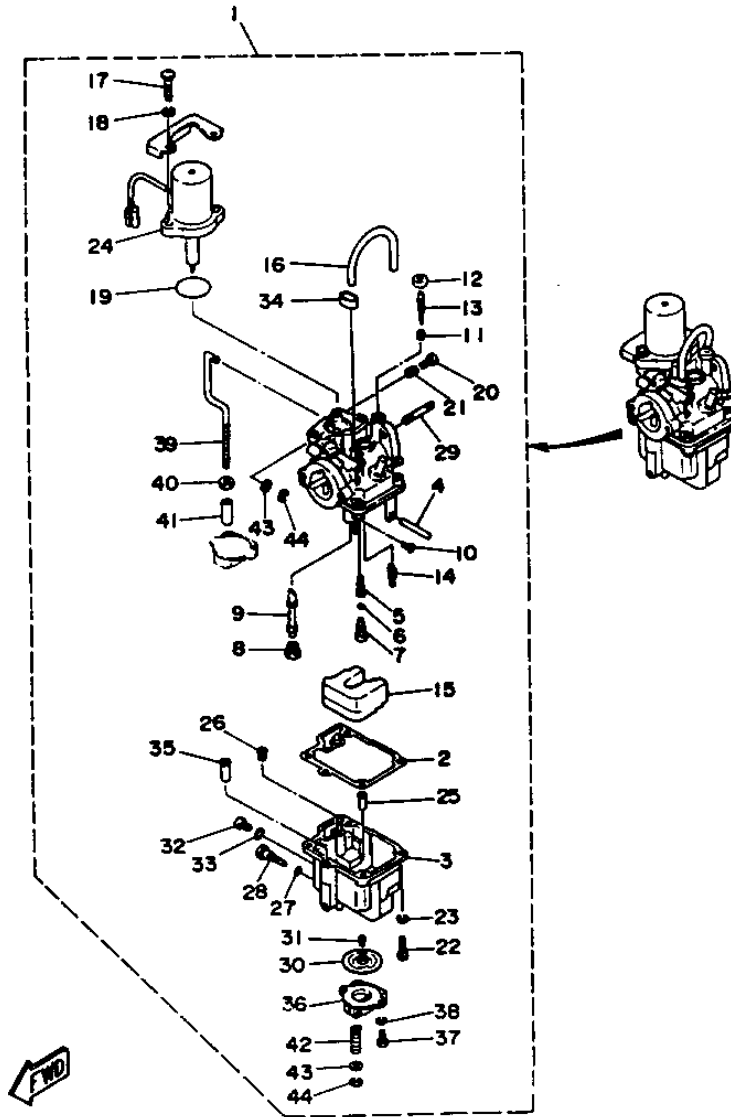
## Part Notes

T9.9ELRR 1993 / INTAKE

| PART NUMBER    |   | NOTE TEXT  |
|----------------|---|--|
| 92990-06600-00 |  | OEM: This part number is among the Top 100 Most Popular Marine Maintenance Parts as of March 2014. |
| 92990-06600-00 |  | OEM: This part number is among the Top 100 Most Popular Marine Maintenance Parts as of March 2014. |

©2014 Yamaha Motor Corporation, U.S.A. All rights reserved.

T9.9ELRR 1993 / CARBURETOR



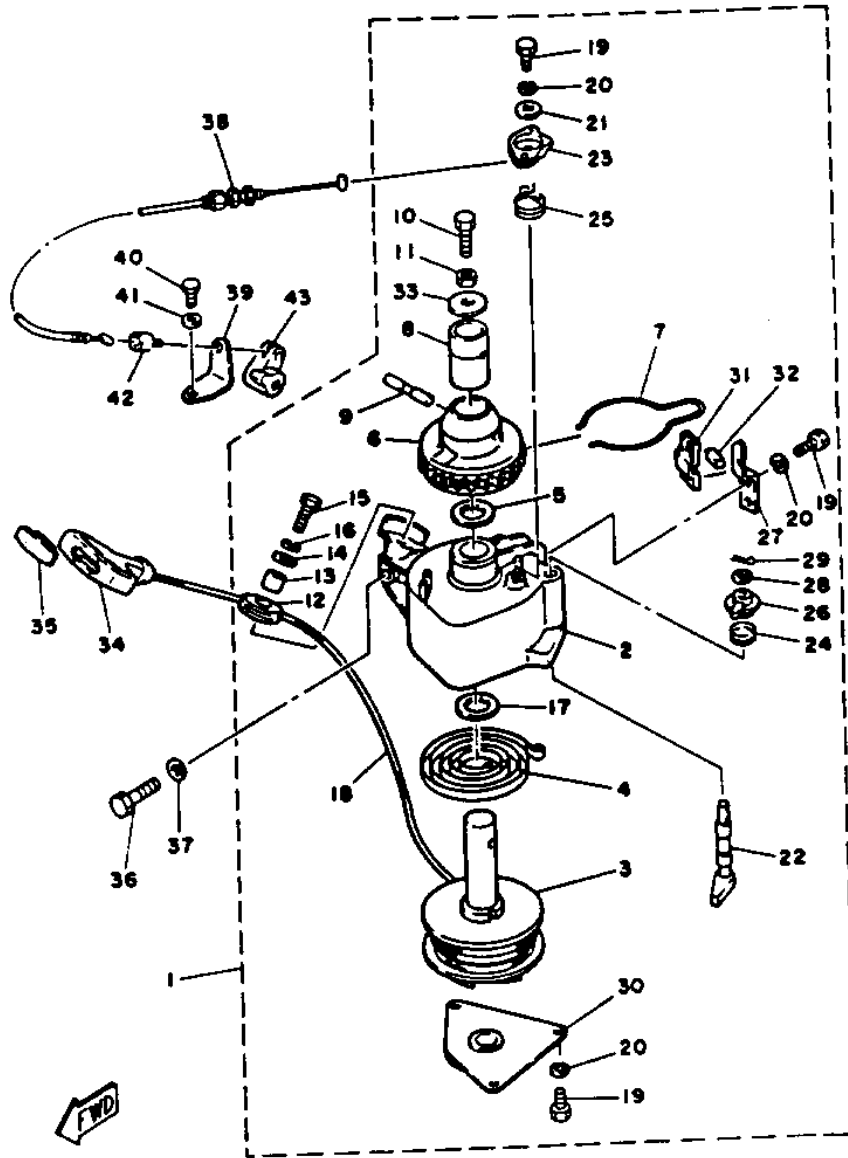
©2014 Yamaha Motor Corporation, U.S.A. All rights reserved.

## Part List

T9.9ELRR 1993 / CARBURETOR

| REF<br>-<br>NO | PART<br>NUMBER  | PART NAME                  | QUANTITY | REMARKS |
|----------------|-----------------|----------------------------|----------|---------|
| 1              | 6G8-14301-03-00 | CARBURETOR ASSEMBLY 1      | 1        | UR      |
| 1              | 6G8-14301-04-00 | CARBURETOR ASSEMBLY        | 1        | UR      |
| 2              | 6G8-14384-01-00 | .GASKET, FLOAT CHAMBER     | 1        |         |
| 3              | 6G8-14381-01-00 | .BODY, FLOAT CHAMBER       | 1        | UR      |
| 3              | 6G8-14381-02-00 | .BODY, FLOAT CHAMBER       | 1        | UR      |
| 4              | 647-14386-10-00 | .PIN, FLOAT                | 1        |         |
| 5              | 6G8-14342-24-00 | .JET, PILOT (#48)          | 1        | UR      |
| 5              | 6G8-14342-22-00 | .JET, PILOT (# 44)         | 1        | UR      |
| 6              | 654-14198-00-00 | .GASKET                    | 1        |         |
| 7              | 6G8-14345-00-00 | .PLUG, MAIN NOZZLE         | 1        |         |
| 8              | 648-14343-43-00 | .JET, MAIN (#86)           | 1        | UR      |
| 8              | 648-14343-42-00 | .JET, MAIN (# 84)          | 1        | UR      |
| 9              | 6G8-14341-10-00 | .NOZZLE, MAIN              | 1        | UR      |
| 9              | 6G8-14341-20-00 | .NOZZLE, MAIN              | 1        | UR      |
| 10             | 6G8-14216-00-00 | .SCREW                     | 1        |         |
| 11             | 647-14334-00-00 | .SPRING                    | 1        |         |
| 12             | 6G8-14997-00-00 | .SEAL                      | 1        |         |
| 13             | 6G8-14323-00-00 | .SCREW, AIR ADJUSTING      | 1        |         |
| 14             | 6G8-14392-00-00 | .VALVE, NEEDLE             | 1        |         |
| 15             | 6G8-14385-00-00 | .FLOAT                     | 1        |         |
| 16             | 6G8-14197-01-00 | .PIPE                      | 1        |         |
| 17             | 98503-06014-00  | .SCREW, PAN HEAD           | 2        |         |
| 18             | 92995-06100-00  | .WASHER, SPRING            | 2        |         |
| 19             | 1HV-14147-00-00 | .O-RING                    | 1        |         |
| 20             | 98503-04014-00  | .SCREW, PAN HEAD           | 1        |         |
| 21             | 646-14212-00-00 | .SPRING, PILOT ADJUSTING   | 1        |         |
| 22             | 98503-04014-00  | .SCREW, PAN HEAD           | 4        |         |
| 23             | 92901-04100-00  | .WASHER, SPRING            | 4        |         |
| 24             | 6G8-1410A-00-00 | .STARTER SET               | 1        |         |
| 25             | 6G8-14827-00-00 | .FILTER                    | 1        |         |
| 26             | 6A4-14344-25-00 | .JET, STARTER (# 50)       | 1        | UR      |
| 26             | 6A4-14344-24-00 | .JET, STARTER (#48) (# 48) | 1        | UR      |
| 27             | 5Y1-14397-00-00 | .O-RING                    | 1        |         |
| 28             | 6G8-14383-00-00 | .SCREW, DRAIN              | 1        |         |
| 29             | 90116-06M26-00  | .BOLT, STUD                | 2        |         |
| 30             | 6G8-14368-02-00 | .DIAPHRAGM ASSEMBLY        | 1        | UR      |
| 31             | 6G8-14275-01-00 | .SPRING                    | 1        | UR      |
| 31             | 6G8-14275-00-00 | .SPRING                    | 1        | UR      |
| 32             | 97890-05006-00  | .SCREW, PAN HEAD           | 1        |         |
| 33             | 646-14198-01-00 | .GASKET                    | 1        |         |
| 34             | 6G8-14349-00-00 | .PIPE                      | 1        |         |
| 35             | 6G8-14217-01-00 | .VALVE, CHOKE              | 1        | UR      |
| 35             | 6G8-14217-00-00 | .VALVE, CHOKE              | 1        | UR      |
| 36             | 6G8-14293-02-00 | .COVER 1                   | 1        | UR      |
| 36             | 6G8-14293-03-00 | .COVER 1                   | 1        | UR      |
| 37             | 98580-04010-00  | .SCREW, PAN HEAD           | 2        |         |
| 38             | 92990-04100-00  | .WASHER, SPRING            | 2        |         |
| 39             | 6G8-14379-00-00 | .ROD, STARTER              | 1        |         |
| 40             | 98813-03100-00  | .NUT                       | 1        |         |
| 41             | 6G8-14229-00-00 | .SHAFT, CHOKE              | 1        |         |
| 42             | 6G8-14286-01-00 | .SPRING                    | 1        |         |
| 43             | 6G8-14357-00-00 | .WASHER, PLAIN             | 2        |         |
| 44             | 389-14137-00-00 | .CLIP                      | 2        |         |

T9.9ELRR 1993 / STARTER



©2014 Yamaha Motor Corporation, U.S.A. All rights reserved.


## Part List

T9.9ELRR 1993 / STARTER

| REF<br>-<br>NO | PART<br>NUMBER  | PART NAME                    | QUANTITY | REMARKS |
|----------------|-----------------|------------------------------|----------|---------|
| 1              | 6G8-15710-10-00 | STARTER ASSY                 | 1        |         |
| 2              | 6G8-15711-00-00 | .CASE, STARTER               | 1        |         |
| 3              | 6G8-15714-00-00 | .DRUM, SHEAVE                | 1        |         |
| 4              | 6G8-15713-00-00 | .SPRING, STARTER             | 1        |         |
| 5              | 6G8-15719-00-00 | .WASHER, THRUST              | 1        |         |
| 6              | 6G8-15723-00-00 | .PULLEY, STARTER             | 1        |         |
| 7              | 6G8-15715-00-00 | .SPRING, FRICTION            | 1        |         |
| 8              | 6G8-15754-00-00 | .BUSH 2                      | 1        |         |
| 9              | 6G8-15727-00-00 | .PIN                         | 1        |         |
| 10             | 6G8-15768-00-00 | .BOLT                        | 1        |         |
| 11             | 95303-08700-00  | .NUT                         | 1        |         |
| 12             | 6F5-15752-00-00 | .ROLLER, WIRE                | 1        |         |
| 13             | 6F5-15753-00-00 | .BUSH                        | 1        |         |
| 14             | 6F5-15791-00-00 | .WASHER, LOCK                | 1        |         |
| 15             | 97315-06025-00  | .BOLT                        | 1        |         |
| 16             | 92995-06100-00  | .WASHER, SPRING              | 1        |         |
| 17             | 6G8-15739-00-00 | .WASHER, THRUST              | 1        |         |
| 18             | 90890-44373-00  | .ROPE, STARTER               | 1        |         |
| 19             | 97313-05012-00  | .BOLT, HEXAGON               | 6        |         |
| 20             | 92990-05100-00  | .WASHER, SPRING              | 6        |         |
| 21             | 6G8-15742-00-00 | .WASHER, DRIVE PAWL          | 1        |         |
| 22             | 6G8-15794-00-00 | .STOPPER                     | 1        |         |
| 23             | 6G8-15746-00-00 | .ARM                         | 1        |         |
| 24             | 6G8-15767-00-00 | .SPRING                      | 1        |         |
| 25             | 6G8-15734-00-00 | .SPRING, RETURN              | 1        |         |
| 26             | 6G8-15747-00-00 | .LINK                        | 1        |         |
| 27             | 6G8-15716-00-00 | .PLATE, DRIVE                | 1        |         |
| 28             | 92990-06200-00  | .WASHER, PLAIN               | 1        |         |
| 29             | 91490-16020-00  | .PIN, COTTER                 | 1        |         |
| 30             | 6G8-15712-00-00 | .COVER, STARTER CASE         | 1        |         |
| 31             | 6G8-15779-00-00 | .COVER                       | 1        |         |
| 32             | 6G8-15789-00-00 | .DAMPER                      | 1        |         |
| 33             | 6G8-15742-00-00 | .WASHER, DRIVE PAWL          | 1        |         |
| 34             | 6G1-15755-00-00 | .HANDLE, STARTER             | 1        |         |
| 35             | 689-15779-01-00 | COVER                        | 1        |         |
| 36             | 97313-08030-00  | BOLT                         | 3        |         |
| 37             | 92990-08600-00  | .WASHER, PLATE               | 3        |         |
| 38             | 6G8-15770-00-00 | CABLE COMP., STARTER<br>STOP | 1        |         |
| 39             | 6G8-15771-00-00 | STAY 1                       | 1        |         |
| 40             | 97395-06012-00  | BOLT                         | 1        |         |
| 41             | 92990-06600-00  | WASHER, PLATE                | 1        |         |
| 42             | 6G8-15772-00-00 | STAY 2                       | 1        |         |
| 43             | 6G8-44125-00-00 | LEVER, SHIFT ROD             | 1        |         |

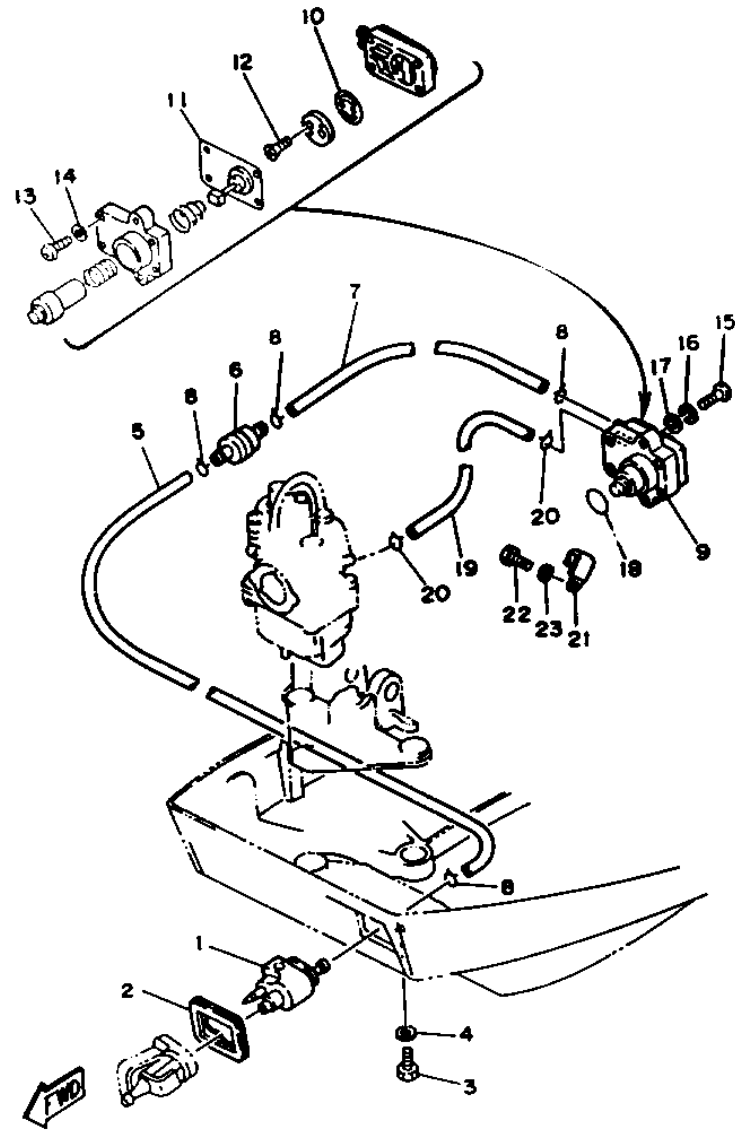
## Part Notes

T9.9ELRR 1993 / STARTER

| PART NUMBER  | NOTE TEXT  |
|--|--|
| 92990-06600-00  | OEM: This part number is among the Top 100 Most Popular Marine Maintenance Parts as of March 2014. |

©2014 Yamaha Motor Corporation, U.S.A. All rights reserved.

T9.9ELRR 1993 / FUEL SYSTEM



©2014 Yamaha Motor Corporation, U.S.A. All rights reserved.





## Part List

T9.9ELRR 1993 / FUEL SYSTEM

| REF<br>-<br>NO | PART<br>NUMBER  | PART NAME               | QUANTITY | REMARKS |
|----------------|-----------------|-------------------------|----------|---------|
| 1              | 6G1-24304-02-00 | FUEL PIPE JOINT COMP. 1 | 1        |         |
| 2              | 6G8-24329-00-00 | SEAL                    | 1        |         |
| 3              | 97395-06020-00  | BOLT, HEXAGON           | 1        |         |
| 4              | 92990-06600-00  | WASHER, PLATE           | 1        |         |
| 5              | 6G8-24311-00-00 | PIPE, FUEL 1            | 1        |         |
| 6              | 646-24251-02-00 | .STRAINER 1             | 1        |         |
| 7              | 90445-09065-00  | HOSE (L90)              | 1        |         |
| 8              | 90467-08004-00  | CLIP                    | 4        |         |
| 9              | 6G8-24410-02-00 | FUEL PUMP ASSEMBLY      | 1        |         |
| 10             | 6G8-24421-00-00 | .VALVE, CHECK           | 1        |         |
| 11             | 6G8-24411-02-00 | .DIAPHRAGM              | 1        |         |
| 12             | 98780-03008-00  | .SCREW, FLAT HEAD       | 2        |         |
| 13             | 98503-04014-00  | .SCREW, PAN HEAD        | 4        |         |
| 14             | 92990-04200-00  | .WASHER                 | 4        |         |
| 15             | 98580-06025-00  | SCREW, PAN HEAD         | 2        |         |
| 16             | 92995-06100-00  | WASHER, SPRING          | 2        |         |
| 17             | 92990-06600-00  | WASHER, PLATE           | 2        |         |
| 18             | 93210-20M65-00  | .O-RING                 | 1        |         |
| 19             | 90445-09225-00  | HOSE                    | 1        |         |
| 20             | 90467-08004-00  | CLIP                    | 2        |         |
| 21             | 90465-08028-00  | CLAMP                   | 1        |         |
| 22             | 97013-06012-00  | BOLT                    | 1        |         |
| 23             | 92990-06600-00  | WASHER, PLATE           | 1        |         |

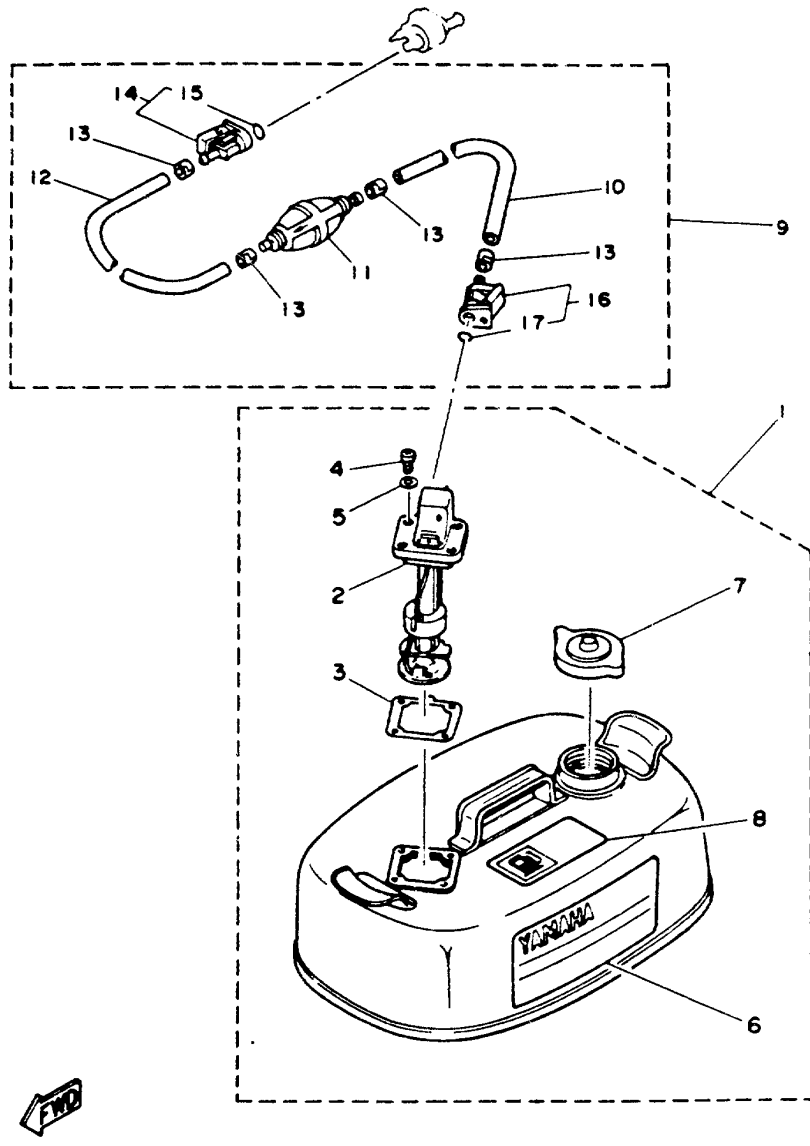
## Part Notes

T9.9ELRR 1993 / FUEL SYSTEM

| PART NUMBER     |   | NOTE TEXT  |
|-----------------|---|--|
| 92990-06600-00  |  | OEM: This part number is among the Top 100 Most Popular Marine Maintenance Parts as of March 2014. |
| 646-24251-02-00 |  | OEM: This part number is among the Top 100 Most Popular Marine Maintenance Parts as of March 2014. |
| 92990-06600-00  |  | OEM: This part number is among the Top 100 Most Popular Marine Maintenance Parts as of March 2014. |
| 92990-06600-00  |  | OEM: This part number is among the Top 100 Most Popular Marine Maintenance Parts as of March 2014. |

©2014 Yamaha Motor Corporation, U.S.A. All rights reserved.

T9.9ELRR 1993 / FUEL TANK



©2014 Yamaha Motor Corporation, U.S.A. All rights reserved.

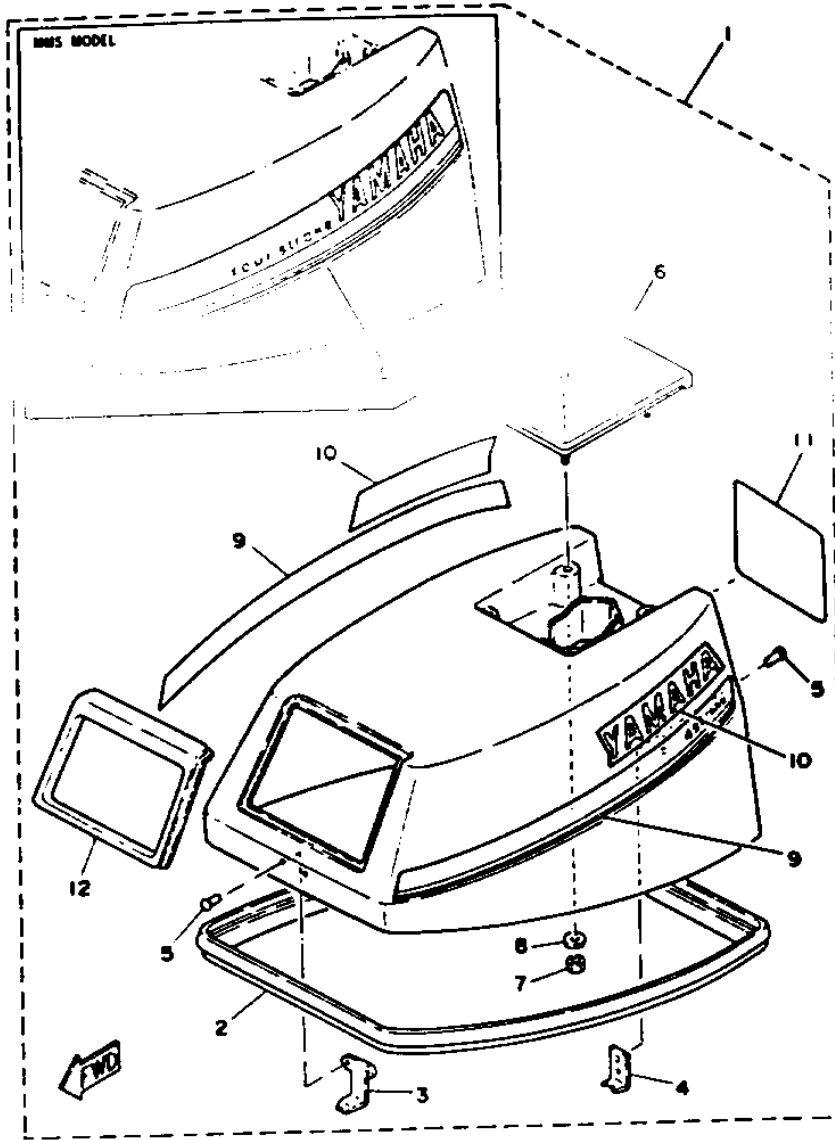


## Part List

T9.9ELRR 1993 / FUEL TANK

| REF<br>-<br>NO | PART<br>NUMBER  | PART NAME               | QUANTITY | REMARKS |
|----------------|-----------------|-------------------------|----------|---------|
| 1              | 6Y4-W2420-42-24 | FUEL TANK ASSEMBLY      | 1        |         |
| 2              | 6Y4-24260-01-00 | .FUEL METER ASSEMBLY    | 1        |         |
| 3              | 6Y1-24268-00-00 | .GASKET, FUEL METER     | 1        |         |
| 4              | 98586-05016-00  | .SCREW, PAN HEAD        | 4        |         |
| 5              | 6Y1-24329-00-00 | .SEAL                   | 4        |         |
| 6              | 6Y4-24244-50-00 | .GRAPHIC, FUEL TNK 1    | 1        |         |
| 7              | 6Y1-24610-00-00 | .CAP ASSEMBLY           | 1        |         |
| 8              | 6Y1-24256-50-00 | .GRAPHIC, FUEL TANK     | 1        |         |
| 9              | 6Y1-24306-51-00 | FUEL PIPE COMP. 1       | 1        |         |
| 10             | 90445-11M06-00  | .HOSE (L2050)           | 1        |         |
| 11             | 6Y1-24360-51-00 | .PRIMER PUMP ASSY       | 1        |         |
| 12             | 90445-11M05-00  | .HOSE (L850)            | 1        |         |
| 13             | 650-24351-51-00 | .BAND 1                 | 4        |         |
| 14             | 6G1-24305-01-00 | .FUEL PIPE JOINT COMP 2 | 1        |         |
| 15             | 93210-08287-00  | ..O-RING                | 1        |         |
| 16             | 6Y1-24305-02-00 | .FUEL PIPE JOINT COMP 2 | 1        |         |
| 17             | 93210-08287-00  | ..O-RING                | 1        |         |

T9.9ELRR 1993 / TOP COWLING



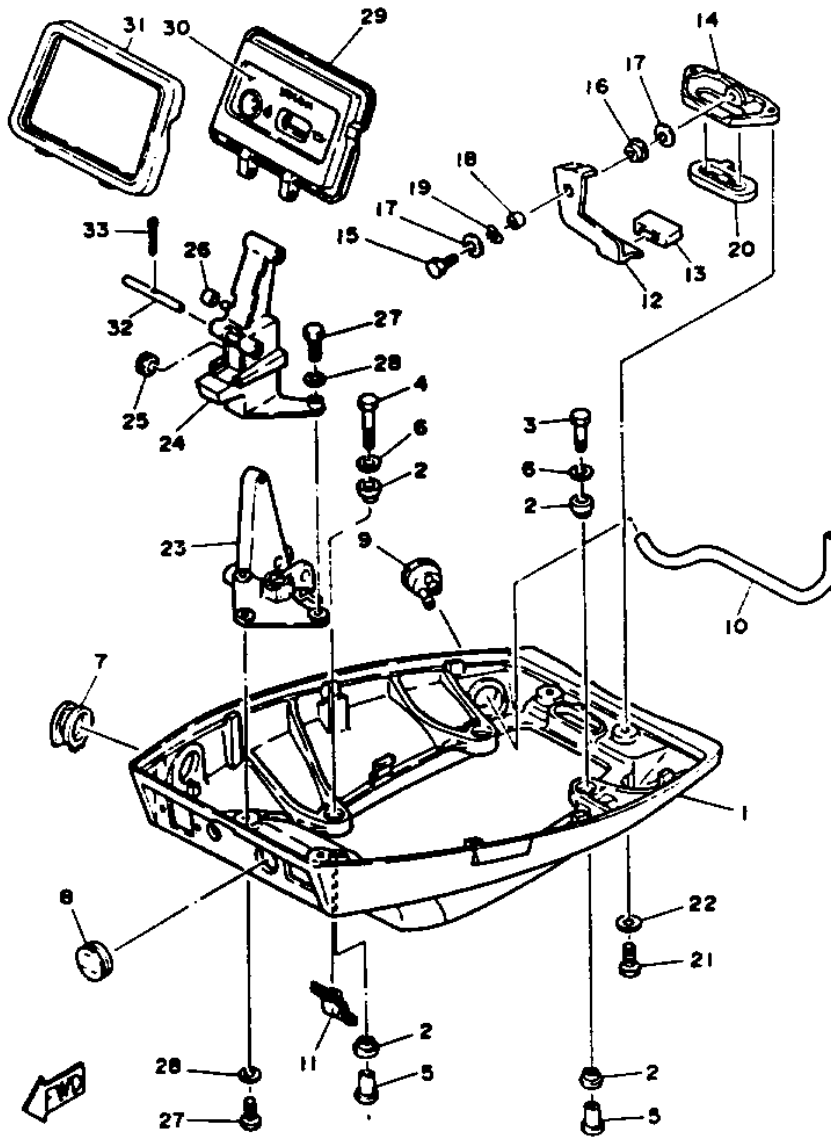
©2014 Yamaha Motor Corporation, U.S.A. All rights reserved.

## Part List

T9.9ELRR 1993 / TOP COWLING

| REF<br>-<br>NO | PART<br>NUMBER  | PART NAME            | QUANTITY | REMARKS                   |
|----------------|-----------------|----------------------|----------|---------------------------|
| 1              | 6G8-42610-12-EK | TOP COWLING ASSEMBLY | 1        | UR METALLIC MARINE SILVER |
| 1              | 6G8-42610-01-EL | TOP COWLING ASSEMBLY | 1        | UR HARBOR WHITE           |
| 2              | 6G8-42615-00-00 | .SEAL                | 1        |                           |
| 3              | 6G8-42651-00-00 | .HOOK                | 1        |                           |
| 4              | 6G8-42652-00-00 | .HOOK                | 1        |                           |
| 5              | 90266-04M04-00  | .RIVET               | 4        |                           |
| 6              | 6G8-42613-00-EK | .MOLDING, AIR DUCT   | 1        | UR METALLIC MARINE SILVER |
| 6              | 6G8-42613-00-EL | .MOULDING, AIR DUCT  | 1        | UR HARBOR WHITE           |
| 7              | 95380-06700-00  | .NUT                 | 4        |                           |
| 8              | 92990-06200-00  | .WASHER, PLAIN       | 4        |                           |
| 9              | 6G8-W0070-00-00 | .GRAPHIC SIDE SET    | 1        | UR FOR HW                 |
| 9              | 6G9-W0070-11-00 | .GRAPHIC SET         | 1        | UR FOR MMS                |
| 10             | 6G8-42681-00-00 | .MARK, COWLING 1     | 2        | UR FOR HW                 |
| 11             | 6G9-42678-11-00 | .GRAPHIC, REAR       | 1        | UR FOR MMS                |
| 11             | 6G8-42678-00-00 | .GRAPHIC, REAR       | 1        | UR FOR HW                 |
| 12             | 6G8-42628-01-00 | .SEAL                | 1        |                           |

T9.9ELRR 1993 / BOTTOM COWLING



©2014 Yamaha Motor Corporation, U.S.A. All rights reserved.



## Part List

T9.9ELRR 1993 / BOTTOM COWLING

| REF - NO | PART NUMBER     | PART NAME          | QUANTITY | REMARKS                   |
|----------|-----------------|--------------------|----------|---------------------------|
| 1        | 6G8-42711-01-EK | BOTTOM COWLING     | 1        | UR METALLIC MARINE SILVER |
| 1        | 6G8-42711-01-EL | BOTTOM COWLING     | 1        | UR HARBOR WHITE           |
| 2        | 90480-09M35-00  | GROMMET            | 8        |                           |
| 3        | 97313-06030-00  | BOLT               | 2        |                           |
| 4        | 97313-06040-00  | BOLT, HEXAGON      | 2        |                           |
| 5        | 90387-06M15-00  | COLLAR             | 4        |                           |
| 6        | 90201-06M31-00  | .WASHER, PLATE     | 4        |                           |
| 7        | 6G8-42724-00-00 | GROMMET            | 1        |                           |
| 8        | 6G8-42725-10-00 | GROMMET            | 1        |                           |
| 9        | 6G8-44391-00-00 | NIPPLE, HOSE       | 1        |                           |
| 10       | 6G8-12482-00-00 | PIPE 2             | 1        |                           |
| 11       | 6G8-42727-00-00 | GROMMET            | 1        |                           |
| 12       | 6G8-42815-00-00 | LEVER, CLAMP       | 1        |                           |
| 13       | 6G8-42831-00-00 | BUSHING            | 1        |                           |
| 14       | 6G8-42811-00-94 | STAY               | 1        |                           |
| 15       | 97313-06016-00  | BOLT, HEXAGON      | 1        |                           |
| 16       | 90386-08M49-00  | BUSH               | 1        |                           |
| 17       | 90201-06M31-00  | .WASHER, PLATE     | 2        |                           |
| 18       | 90387-06M72-00  | COLLAR             | 1        |                           |
| 19       | 90206-08M13-00  | WASHER, WAVE       | 1        |                           |
| 20       | 6G8-42748-00-00 | GROMMET            | 1        |                           |
| 21       | 97395-06016-00  | BOLT, HEX          | 2        |                           |
| 22       | 92990-06600-00  | WASHER, PLATE      | 2        |                           |
| 23       | 6G8-42738-00-94 | PLATE, FITTING     | 1        |                           |
| 24       | 6G8-42719-00-94 | PANEL, FRONT LOWER | 1        |                           |
| 25       | 90480-19031-00  | GROMMET            | 1        |                           |
| 26       | 90445-05ME6-00  | HOSE (L8)          | 1        |                           |
| 27       | 97395-06016-00  | BOLT, HEX          | 4        |                           |
| 28       | 92990-06600-00  | WASHER, PLATE      | 4        |                           |
| 29       | 6G8-W4261-00-00 | PANEL, FRONT UPPER | 1        |                           |
| 30       | 6G8-42677-00-00 | GRAPHIC, FRONT     | 1        |                           |
| 31       | 6G8-42629-01-00 | SEAL               | 1        |                           |
| 32       | 6G8-42755-00-00 | HINGE, COWLING     | 1        |                           |
| 33       | 91490-16010-00  | PIN. COTTER        | 1        |                           |

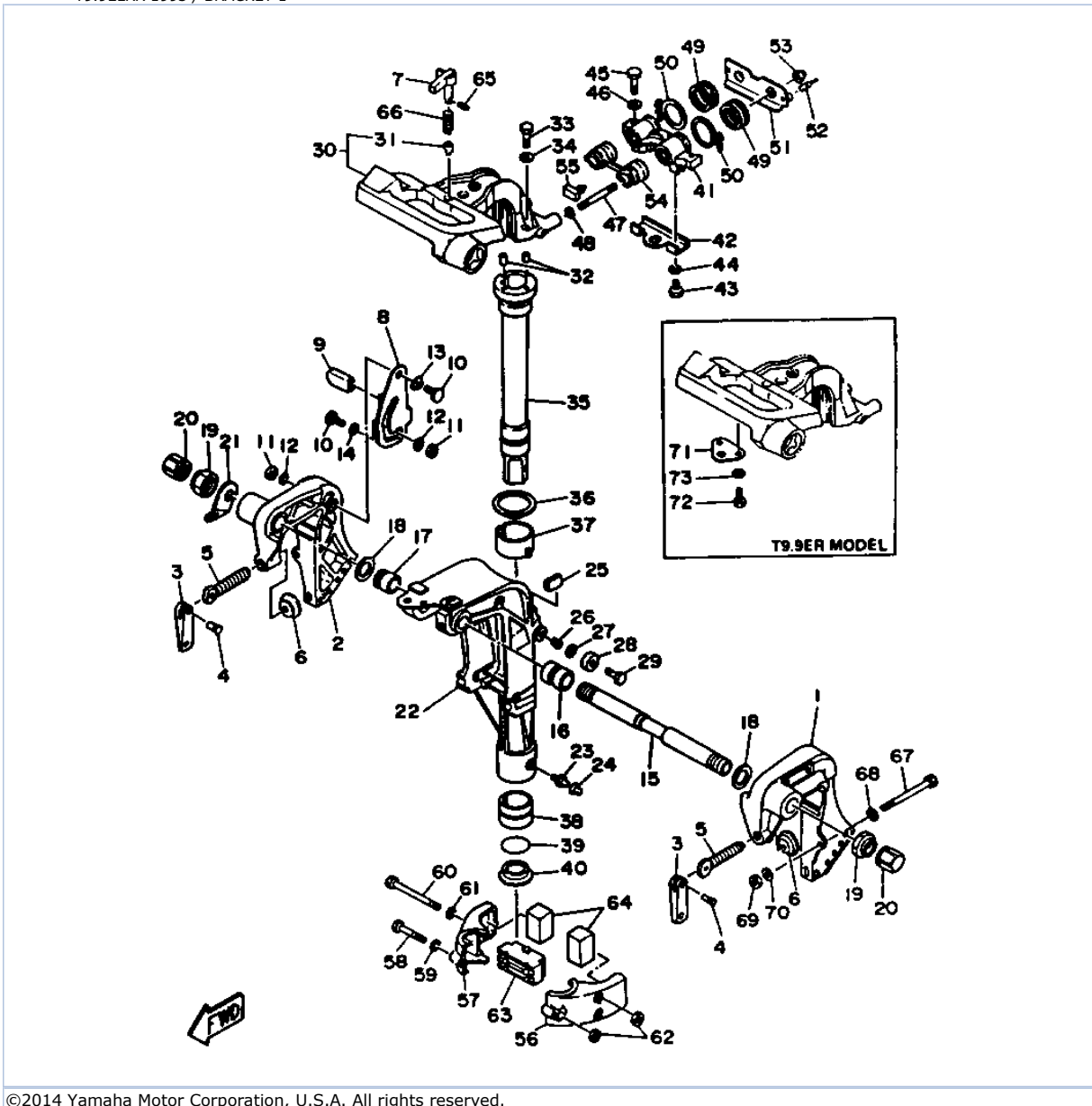
## Part Notes

T9.9ELRR 1993 / BOTTOM COWLING

| PART NUMBER  | NOTE TEXT  |
|--|--|
| 92990-06600-00  | OEM: This part number is among the Top 100 Most Popular Marine Maintenance Parts as of March 2014. |
| 92990-06600-00  | OEM: This part number is among the Top 100 Most Popular Marine Maintenance Parts as of March 2014. |

©2014 Yamaha Motor Corporation, U.S.A. All rights reserved.

T9.9ELRR 1993 / BRACKET 1



©2014 Yamaha Motor Corporation, U.S.A. All rights reserved.

## Part List







T9.9ELRR 1993 / BRACKET 1

| REF - NO | PART NUMBER     | PART NAME                  | QUANTITY | REMARKS                   |
|----------|-----------------|----------------------------|----------|---------------------------|
| 1        | 6G8-43111-03-EK | BRACKET, CLAMP             | 1        | UR METALLIC MARINE SILVER |
| 1        | 6G8-43111-03-EL | BRACKET, CLAMP             | 1        | UR HARBOR WHITE           |
| 2        | 6G8-43112-04-EK | BRACKET, CLAMP             | 1        | UR METALLIC MARINE SILVER |
| 2        | 6G8-43112-04-EL | BRACKET, CLAMP             | 1        | UR HARBOR WHITE           |
| 3        | 616-43118-00-EK | HANDLE, TRANSOM CLIP       | 2        | UR METALLIC MARINE SILVER |
| 3        | 616-43118-00-EL | HANDLE, TRANSOM CLIP       | 2        | UR HARBOR WHITE           |
| 4        | 90243-04M00-00  | PIN                        | 2        |                           |
| 5        | 6E7-43116-00-00 | SCREW, TRANSOM CLAMP       | 2        |                           |
| 6        | 648-43114-01-00 | PAD, TRANSOM CLAMP         | 2        |                           |
| 7        | 6G8-42561-00-00 | KNOB, STEERING LOCK        | 1        |                           |
| 8        | 6G8-43181-00-00 | LEVER, TILT STOP           | 1        |                           |
| 9        | 682-43318-01-00 | COVER                      | 1        |                           |
| 10       | 90109-06M25-00  | BOLT                       | 2        |                           |
| 11       | 95680-06100-00  | NUT, U                     | 2        |                           |
| 12       | 92990-06600-00  | WASHER, PLATE              | 2        |                           |
| 13       | 90206-10M15-00  | WASHER, WAVE               | 1        |                           |
| 14       | 682-43339-01-00 | WASHER                     | 1        |                           |
| 15       | 6G8-43131-00-00 | BOLT, CLAMP BRACKET        | 1        |                           |
| 16       | 90386-22M92-00  | BUSH                       | 1        |                           |
| 17       | 90386-22M93-00  | BUSH                       | 1        |                           |
| 18       | 90201-22428-00  | WASHER, PLATE              | 2        |                           |
| 19       | 90185-22043-00  | NUT, SELF-LOCKING          | 2        |                           |
| 20       | 6G5-43145-00-00 | CAP, CLAMP BRACKET         | 1        |                           |
| 21       | 6J8-43113-01-00 | PLATE, CLAMP BRACKET       | 1        |                           |
| 22       | 6G8-43311-14-EK | BRACKET, SWIVEL 1          | 1        | UR METALLIC MARINE SILVER |
| 22       | 6G8-43311-14-EL | BRACKET, SWIVEL 1          | 1        | UR HARBOR WHITE           |
| 23       | 93700-06M03-00  | NIPPLE, GREASE             | 1        |                           |
| 24       | 663-45119-00-00 | CAP, GREASE NIPPLE         | 1        |                           |
| 25       | 6G8-42528-00-00 | PLATE, FRICTION            | 1        |                           |
| 26       | 90501-18M00-00  | SPRING, COMPRESSION        | 1        |                           |
| 27       | 90201-06M31-00  | .WASHER, PLATE             | 1        |                           |
| 28       | 6G8-43373-00-00 | SEAL, DAMPER               | 1        |                           |
| 29       | 97395-06025-00  | BOLT                       | 1        |                           |
| 30       | 6G8-42511-02-EK | BRACKET, STEERING          | 1        | UR METALLIC MARINE SILVER |
| 30       | 6G8-42511-02-EL | BRACKET, STEERING          | 1        | UR HARBOR WHITE           |
| 31       | 6G8-42534-00-00 | .PIN, DOWEL                | 1        |                           |
| 32       | 93605-15065-00  | PIN, DOWEL                 | 2        |                           |
| 33       | 97315-06030-00  | BOLT                       | 2        |                           |
| 34       | 92990-06600-00  | WASHER, PLATE              | 2        |                           |
| 35       | 6G8-42521-10-94 | SHAFT, STEERING PIVOT      | 1        |                           |
| 36       | 90209-45M09-00  | WASHER                     | 1        |                           |
| 37       | 6G8-42537-00-00 | BUSHING, PIVOT SHAFT       | 1        |                           |
| 38       | 90386-37M47-00  | BUSH                       | 1        |                           |
| 39       | 93210-37M67-00  | O-RING                     | 1        |                           |
| 40       | 90386-37M48-00  | BUSH                       | 1        |                           |
| 41       | 6G8-44517-00-94 | MOUNT RUBBER               | 1        |                           |
| 42       | 6G8-44526-00-00 | PLATE                      | 1        |                           |
| 43       | 97395-06012-00  | BOLT                       | 2        |                           |
| 44       | 92990-06600-00  | WASHER, PLATE              | 2        |                           |
| 45       | 97395-08030-00  | BOLT                       | 2        |                           |
| 46       | 92990-08600-00  | ..WASHER, PLATE            | 2        |                           |
| 47       | 90116-08M28-00  | BOLT, STUD                 | 2        |                           |
| 48       | 90201-08M12-00  | .WASHER, PLATE             | 2        |                           |
| 49       | 6G8-44522-00-00 | SEAL                       | 2        |                           |
| 50       | 90460-38M06-00  | CLAMP, HOSE                | 2        |                           |
| 51       | 6G8-44518-00-00 | BRACKET COMP.              | 1        |                           |
| 52       | 6G8-44533-00-00 | DAMPER, UPPER MOUNT RUBBER | 2        |                           |
| 53       | 95780-08300-00  | ..NUT, FLANGE              | 2        |                           |
| 54       | 6G8-44521-00-00 | SEAL                       | 1        |                           |

|    |                 |                               |   |                           |
|----|-----------------|-------------------------------|---|---------------------------|
| 55 | 6G8-44532-00-00 | STOPPER, UPPER MOUNT          | 1 |                           |
| 56 | 6G8-44551-01-EK | HOUSING, LOWER MOUNT RUBBER   | 1 | UR METALLIC MARINE SILVER |
| 56 | 6G8-44551-01-EL | HOUSING, LOWER, MOUNT RUBBER  | 1 | UR HARBOR WHITE           |
| 57 | 6G8-44552-02-EL | HOUSING, LOWER MOUNT RUBBER   | 1 | UR HARBOR WHITE           |
| 57 | 6G8-44552-02-EK | HOUSING, LWR.MNT.MOUNT RUBBER | 1 | UR METALLIC MARINE SILVER |
| 58 | 97395-06045-00  | BOLT, HEXAGON                 | 1 |                           |
| 59 | 92990-06600-00  | WASHER, PLATE                 | 1 |                           |
| 60 | 97395-06095-00  | BOLT                          | 2 |                           |
| 61 | 92990-06600-00  | WASHER, PLATE                 | 2 |                           |
| 62 | 95380-06700-00  | NUT                           | 3 |                           |
| 63 | 6G8-44557-00-00 | MOUNT DAMPER, LOWER FRONT     | 1 |                           |
| 64 | 682-44555-00-00 | MOUNT DAMPER, LOWER SIDE      | 2 |                           |
| 65 | 91690-30012-00  | .PIN, SPRING                  | 1 |                           |
| 66 | 90501-10071-00  | ..SPRING, COMPRESSION         | 1 |                           |
| 67 | 90101-08M88-00  | BOLT                          | 2 |                           |
| 68 | 92990-08600-00  | ..WASHER, PLATE               | 2 |                           |
| 69 | 95780-08300-00  | ..NUT, FLANGE                 | 2 |                           |
| 70 | 90201-08MA4-00  | WASHER, PLATE                 | 2 |                           |
| 71 | 6G8-48511-20-00 | HOOK, STEERING                | 1 | T9.9ER                    |
| 72 | 97395-06016-00  | BOLT, HEX                     | 2 | T9.9ER                    |
| 73 | 92990-06600-00  | WASHER, PLATE                 | 2 | T9.9ER                    |

Part Notes

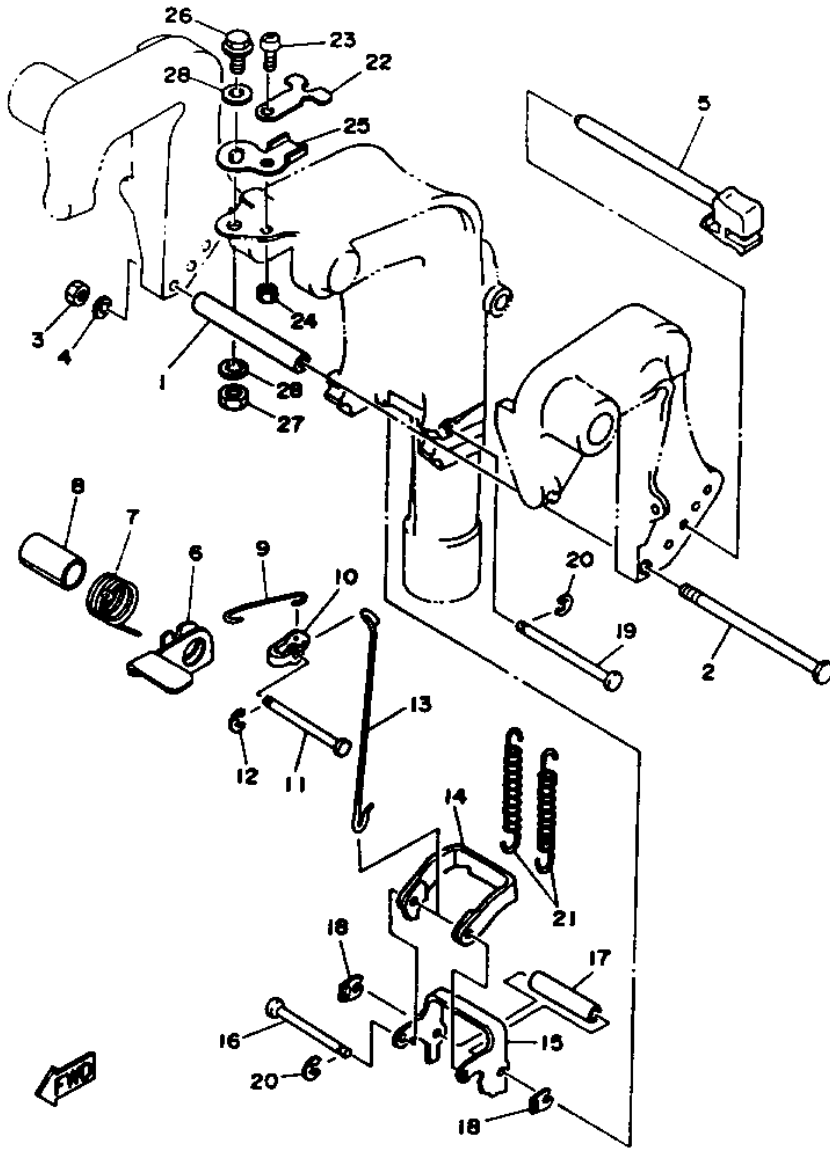
T9.9ELRR 1993 / BRACKET 1

| PART NUMBER    |   | NOTE TEXT  |
|----------------|---|--|
| 92990-06600-00 |  | OEM: This part number is among the Top 100 Most Popular Marine Maintenance Parts as of March 2014. |
| 92990-06600-00 |  | OEM: This part number is among the Top 100 Most Popular Marine Maintenance Parts as of March 2014. |
| 92990-06600-00 |  | OEM: This part number is among the Top 100 Most Popular Marine Maintenance Parts as of March 2014. |
| 92990-06600-00 |  | OEM: This part number is among the Top 100 Most Popular Marine Maintenance Parts as of March 2014. |
| 92990-06600-00 |  | OEM: This part number is among the Top 100 Most Popular Marine Maintenance Parts as of March 2014. |
| 92990-06600-00 |  | OEM: This part number is among the Top 100 Most Popular Marine Maintenance Parts as of March 2014. |

©2014 Yamaha Motor Corporation, U.S.A. All rights reserved.



T9.9ELRR 1993 / BRACKET 2



©2014 Yamaha Motor Corporation, U.S.A. All rights reserved.


## Part List

T9.9ELRR 1993 / BRACKET 2

| REF - NO | PART NUMBER     | PART NAME           | QUANTITY | REMARKS |
|----------|-----------------|---------------------|----------|---------|
| 1        | 90387-06M09-00  | COLLAR              | 1        |         |
| 2        | 97395-06135-00  | BOLT, HEXAGON       | 1        |         |
| 3        | 95380-06700-00  | NUT                 | 1        |         |
| 4        | 92990-06600-00  | WASHER, PLATE       | 1        |         |
| 5        | 6G8-43160-01-00 | TILT ROD ASSY       | 1        |         |
| 6        | 6G8-43631-02-00 | LEVER, TILT         | 1        |         |
| 7        | 90508-18M33-00  | SPRING, TORSION     | 1        |         |
| 8        | 90386-20M94-00  | BUSH                | 1        |         |
| 9        | 6G8-43616-00-00 | ROD, TILT LOCK      | 1        |         |
| 10       | 682-43641-00-00 | LEVER, TILT         | 1        |         |
| 11       | 90249-06M20-00  | PIN                 | 1        |         |
| 12       | 99080-05600-00  | CIRCLIP             | 1        |         |
| 13       | 6G8-43617-00-00 | ROD, TILT LOCK      | 1        |         |
| 14       | 682-43614-00-00 | PLATE, TILT LOCK    | 1        |         |
| 15       | 682-43615-01-00 | PLATE, TILT LOCK    | 1        |         |
| 16       | 682-43611-01-00 | SHAFT, TILT LOCK    | 1        |         |
| 17       | 90387-06M20-00  | COLLAR              | 1        |         |
| 18       | 682-43673-00-00 | WASHER 1            | 2        |         |
| 19       | 682-43659-00-00 | SHAFT, REVERSE LOCK | 1        |         |
| 20       | 99080-05600-00  | CIRCLIP             | 2        |         |
| 21       | 90506-29M16-00  | SPRING, TENSION     | 2        |         |
| 22       | 6G8-43319-02-94 | PLATE               | 1        |         |
| 23       | 98580-06016-00  | SCREW, PAN HEAD     | 1        |         |
| 24       | 95380-06600-00  | NUT, HEXAGON        | 1        |         |
| 25       | 6G8-42512-01-94 | PLATE, CONTROL      | 1        |         |
| 26       | 90105-10M30-00  | BOLT, WASHER BASED  | 1        |         |
| 27       | 95380-10700-00  | NUT                 | 1        |         |
| 28       | 90201-10M76-00  | .WASHER, PLATE      | 2        |         |

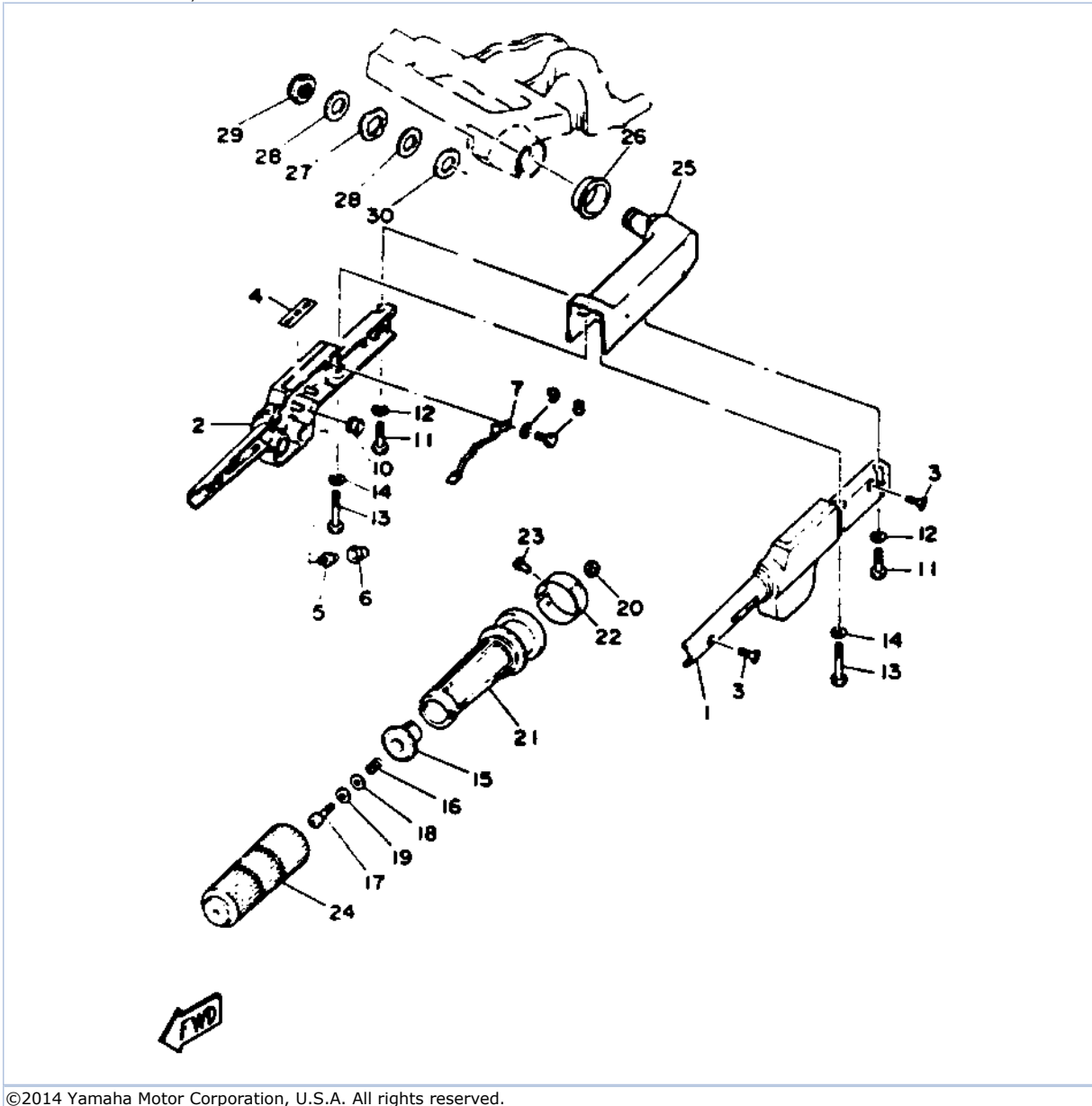
## Part Notes

T9.9ELRR 1993 / BRACKET 2

| PART NUMBER  | NOTE TEXT  |
|--|--|
| 92990-06600-00  | OEM: This part number is among the Top 100 Most Popular Marine Maintenance Parts as of March 2014. |

©2014 Yamaha Motor Corporation, U.S.A. All rights reserved.

T9.9ELRR 1993 / STEERING



©2014 Yamaha Motor Corporation, U.S.A. All rights reserved.



## Part List

T9.9ELRR 1993 / STEERING

| REF<br>-<br>NO | PART<br>NUMBER  | PART NAME                          | QUANTITY | REMARKS                   |
|----------------|-----------------|------------------------------------|----------|---------------------------|
| 1              | 6G8-42111-01-EK | HANDLE, STEERING                   | 1        | UR METALLIC MARINE SILVER |
| 1              | 6G8-42111-01-EL | HANDLE, STEERING                   | 1        | UR HARBOR WHITE           |
| 2              | 6G8-42112-02-EL | STEERING HANDLE 2                  | 1        | UR HARBOR WHITE           |
| 2              | 6G8-42112-02-EK | STEERING HANDLE 2                  | 1        | UR METALLIC MARINE SILVER |
| 3              | 98780-05016-00  | .SCREW, FLAT HEAD                  | 2        |                           |
| 4              | 6G8-44191-00-00 | INDICATOR, SHIFT                   | 1        |                           |
| 5              | 93700-06M03-00  | NIPPLE, GREASE                     | 1        |                           |
| 6              | 663-45119-00-00 | CAP, GREASE NIPPLE                 | 1        |                           |
| 7              | 6G8-42147-01-00 | SPRING                             | 1        |                           |
| 8              | 97395-05012-00  | .BOLT                              | 1        |                           |
| 9              | 92990-05600-00  | WASHER, PLATE                      | 1        |                           |
| 10             | 6H4-42725-00-00 | GROMMET                            | 1        |                           |
| 11             | 97395-06025-00  | BOLT                               | 2        |                           |
| 12             | 92990-06600-00  | WASHER, PLATE                      | 2        |                           |
| 13             | 97395-06040-00  | BOLT                               | 2        |                           |
| 14             | 92990-06600-00  | WASHER, PLATE                      | 2        |                           |
| 15             | 6G8-42126-01-94 | FRICITION, STEERING<br>HANDLE GRIP | 1        |                           |
| 16             | 90501-23M42-00  | SPRING, COMPRESSION                | 1        |                           |
| 17             | 98580-06030-00  | .SCREW, PAN HEAD                   | 1        |                           |
| 18             | 90201-06049-00  | WASHER, PLATE                      | 1        |                           |
| 19             | 90202-06007-00  | WASHER, PLATE                      | 1        |                           |
| 20             | 95380-06700-00  | NUT                                | 1        |                           |
| 21             | 6G8-42119-00-00 | GRIP, STEERING HANDLE              | 1        |                           |
| 22             | 6G8-42137-01-00 | INDICATOR, THROTTLE                | 1        |                           |
| 23             | 90269-02M09-00  | RIVET                              | 1        |                           |
| 24             | 6G8-42177-00-00 | RUBBER, HANDLE                     | 1        |                           |
| 25             | 6G8-42113-01-EK | HANDLE, STEERING 3                 | 1        | UR METALLIC MARINE SILVER |
| 25             | 6G8-42113-01-EL | HANDLE, STEERING 3                 | 1        | UR HARBOR WHITE           |
| 26             | 90386-33M56-00  | BUSH                               | 1        |                           |
| 27             | 90206-20M14-00  | WASHER, WAVE                       | 1        |                           |
| 28             | 90201-20M00-00  | WASHER, PLATE                      | 2        |                           |
| 29             | 90185-20M03-00  | NUT, SELF-LOCKING                  | 1        |                           |
| 30             | 90202-20M33-00  | WASHER, PLATE                      | 1        |                           |

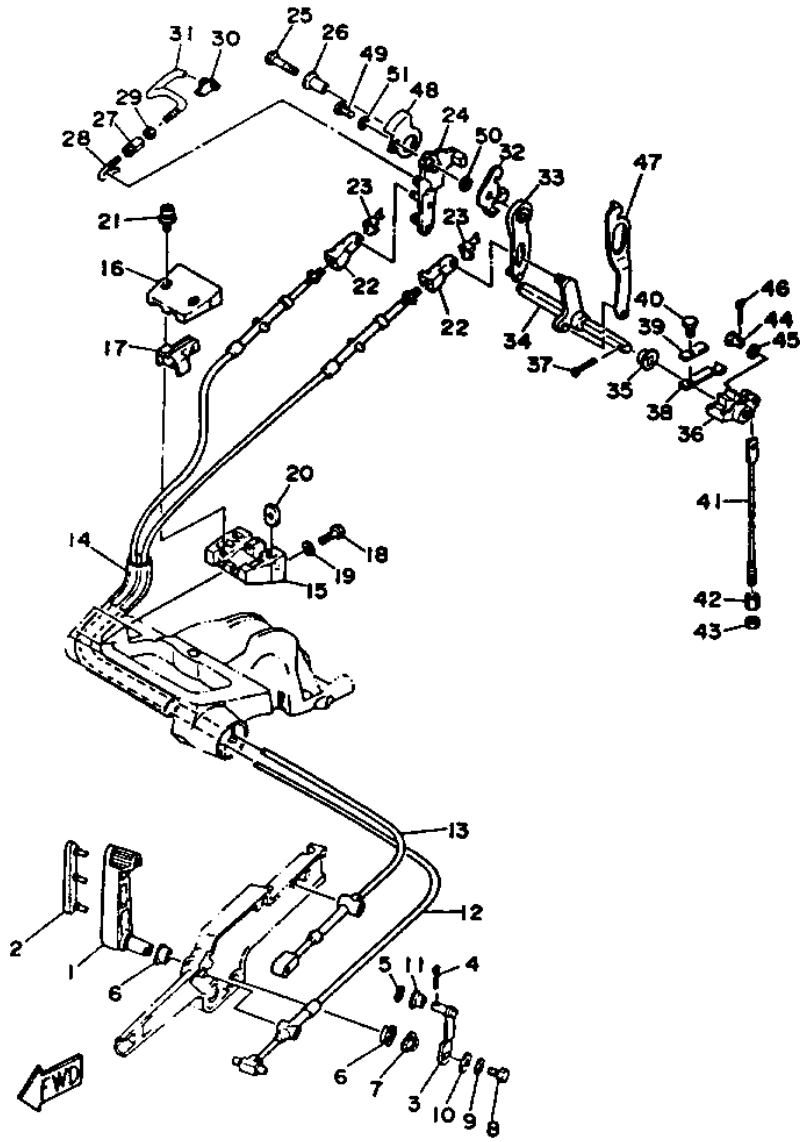
## Part Notes

T9.9ELRR 1993 / STEERING

| PART NUMBER  | NOTE TEXT  |
|--|--|
| 92990-06600-00  | OEM: This part number is among the Top 100 Most Popular Marine Maintenance Parts as of March 2014. |
| 92990-06600-00  | OEM: This part number is among the Top 100 Most Popular Marine Maintenance Parts as of March 2014. |

©2014 Yamaha Motor Corporation, U.S.A. All rights reserved.

T9.9ELRR 1993 / CONTROL ENGINE



©2014 Yamaha Motor Corporation, U.S.A. All rights reserved.


## Part List



T9.9ELRR 1993 / CONTROL ENGINE

| REF<br>-<br>NO | PART<br>NUMBER  | PART NAME          | QUANTITY | REMARKS                     |
|----------------|-----------------|--------------------|----------|-----------------------------|
| 1              | 6G8-44121-00-98 | LEVER, SHIFT ROD   | 1        |                             |
| 2              | 6G8-42129-00-00 | BUSHING, RUBBER    | 1        |                             |
| 3              | 6G8-44123-00-00 | ARM, SHIFT ROD     | 1        |                             |
| 4              | 91490-16010-00  | PIN. COTTER        | 1        |                             |
| 5              | 92990-05200-00  | .WASHER, PLAIN     | 1        |                             |
| 6              | 90386-12069-00  | BUSH               | 2        |                             |
| 7              | 90206-12052-00  | WASHER, WAVE       | 1        |                             |
| 8              | 97313-06016-00  | BOLT, HEXAGON      | 1        |                             |
| 9              | 92990-06600-00  | WASHER, PLATE      | 1        |                             |
| 10             | 90201-06M94-00  | WASHER, PLATE      | 1        |                             |
| 11             | 90386-05M54-00  | BUSH               | 1        |                             |
| 12             | 6G8-48311-11-00 | CABLE              | 1        | AP FOR HANDY REMOTE CONTROL |
| 12             | 6G8-48311-02-00 | CABLE              | 1        |                             |
| 13             | 6G8-48321-01-00 | CABLE              | 1        |                             |
| 13             | 6G8-48321-10-00 | CABLE              | 1        | AP FOR HANDY REMOTE CONTROL |
| 14             | 90445-24M00-00  | HOSE (L165)        | 1        |                             |
| 14             | 90445-20ME5-00  | HOSE               | 1        | AP FOR HANDY REMOTE CONTROL |
| 15             | 6G8-41661-00-98 | BRACKET            | 1        |                             |
| 16             | 6G8-41662-00-98 | BRACKET            | 1        |                             |
| 17             | 6G8-41663-00-00 | BRACKET 3          | 1        |                             |
| 18             | 97395-06016-00  | BOLT, HEX          | 2        |                             |
| 19             | 92990-06600-00  | WASHER, PLATE      | 2        |                             |
| 20             | 6G8-41654-00-00 | NUT                | 2        |                             |
| 21             | 90159-05M06-00  | SCREW, WITH WASHER | 2        |                             |
| 22             | 6G8-26363-00-00 | .END, WIRE 1       | 2        |                             |
| 23             | 6G8-26364-00-00 | .END, CABLE        | 2        |                             |
| 24             | 6G8-41212-00-00 | ARM, ACCEL.        | 1        |                             |
| 25             | 97313-06030-00  | BOLT               | 1        |                             |
| 26             | 90387-06M58-00  | COLLAR             | 1        |                             |
| 27             | 6G8-41238-01-00 | JOINT, LINK        | 1        |                             |
| 28             | 6G8-41241-01-00 | ROD, LINK          | 1        |                             |
| 29             | 95303-04600-00  | .NUT               | 1        |                             |
| 30             | 6G8-41237-01-00 | JOINT, LINK        | 1        |                             |
| 31             | 6G8-41242-01-00 | ROD 2              | 1        |                             |
| 32             | 6G8-14493-00-00 | STAY 1             | 1        |                             |
| 33             | 6G8-44111-00-00 | HANDLE, GEAR SHIFT | 1        |                             |
| 34             | 6G8-44159-00-00 | HANDLE, GEAR SHIFT | 1        |                             |
| 35             | 682-44132-00-00 | BUSHING            | 1        |                             |
| 36             | 6G8-44141-00-00 | LINK, SHIFT ROD    | 1        |                             |
| 37             | 91490-25020-00  | PIN. COTTER        | 1        |                             |
| 38             | 682-44116-00-00 | SPRING             | 1        |                             |
| 39             | 682-44117-00-00 | BRACKET            | 1        |                             |
| 40             | 97013-06012-00  | BOLT               | 1        |                             |
| 41             | 6G8-44143-10-00 | ROD, SHIFT         | 1        |                             |
| 42             | 90170-06015-00  | NUT                | 1        |                             |
| 43             | 95380-06700-00  | NUT                | 1        |                             |
| 44             | 91790-05020-00  | PIN, CLEVIS        | 1        |                             |
| 45             | 92990-05600-00  | WASHER, PLATE      | 1        |                             |
| 46             | 91490-16010-00  | PIN. COTTER        | 1        |                             |
| 47             | 6G8-44124-11-00 | LINK, SHIFT ROD    | 1        |                             |
| 48             | 6G8-41212-11-00 | ARM, ACCEL.        | 1        |                             |
| 49             | 97313-06014-00  | BOLT, HEXAGON      | 1        |                             |
| 50             | 95380-06600-00  | NUT, HEXAGON       | 1        |                             |
| 51             | 92990-06600-00  | WASHER, PLATE      | 1        |                             |

## Part Notes

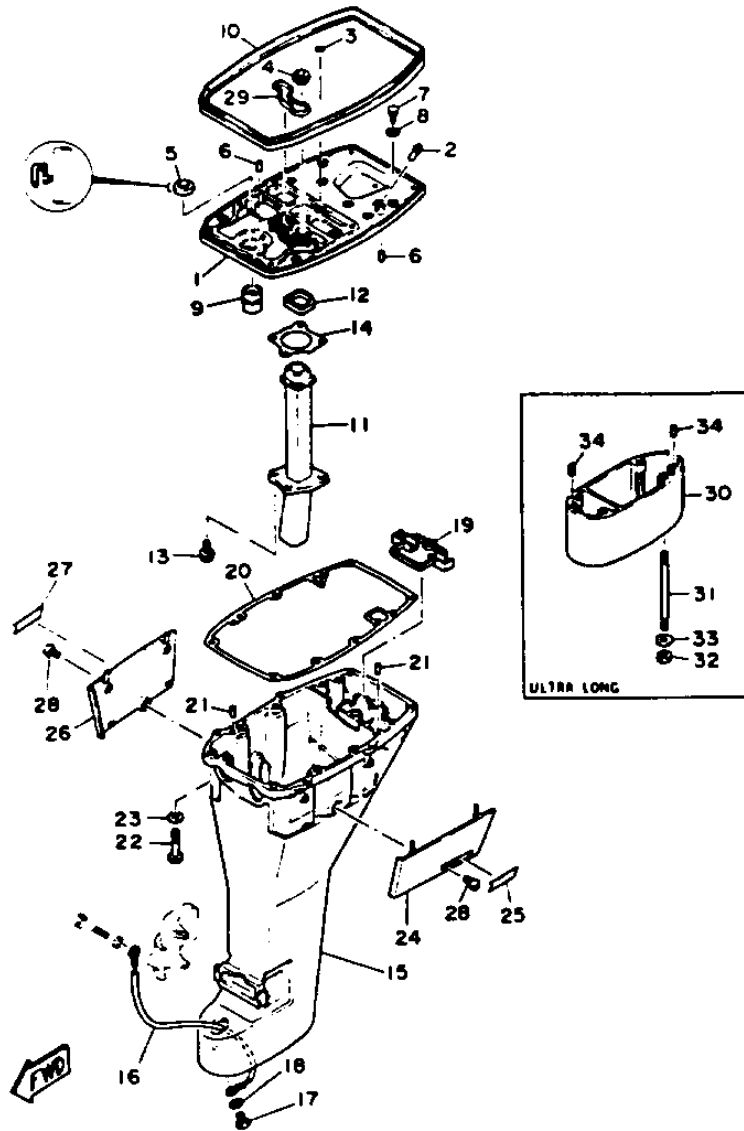
T9.9ELRR 1993 / CONTROL ENGINE

| PART NUMBER  | NOTE TEXT  |
|--|--|
| 92990-06600-00  | OEM: This part number is among the Top 100 Most Popular Marine Maintenance Parts as of March 2014. |

|                |   |  |
|----------------|---|--|
| 92990-06600-00 |  | OEM: This part number is among the Top 100 Most Popular Marine Maintenance Parts as of March 2014. |
| 92990-06600-00 |  | OEM: This part number is among the Top 100 Most Popular Marine Maintenance Parts as of March 2014. |

©2014 Yamaha Motor Corporation, U.S.A. All rights reserved.

T9.9ELRR 1993 / UPPER CASING



©2014 Yamaha Motor Corporation, U.S.A. All rights reserved.





## Part List

T9.9ELRR 1993 / UPPER CASING

| REF - NO | PART NUMBER     | PART NAME                  | QUANTITY | REMARKS                   |
|----------|-----------------|----------------------------|----------|---------------------------|
| 1        | 6G8-41137-03-94 | GUIDE, EXHAUST             | 1        |                           |
| 2        | 6E5-24377-00-00 | PIPE, JOINT 2              | 1        |                           |
| 3        | 93210-08M60-00  | O-RING                     | 1        |                           |
| 4        | 6G8-44367-00-00 | DAMPER, WATER SEAL         | 1        |                           |
| 5        | 93101-13M27-00  | O-RING                     | 1        |                           |
| 6        | 93606-12019-00  | .PIN, DOWEL                | 2        |                           |
| 7        | 97313-06020-00  | BOLT, HEXAGON              | 2        |                           |
| 8        | 92990-06600-00  | WASHER, PLATE              | 2        |                           |
| 9        | 6G8-45135-00-00 | PIPE                       | 1        |                           |
| 10       | 6G8-42716-00-00 | RUBBER, SEAL 1             | 1        |                           |
| 11       | 6G8-41131-01-00 | MANIFOLD, EXT. 1           | 1        |                           |
| 12       | 6G8-41138-00-00 | SEAL, EXT. 1               | 1        |                           |
| 13       | 90105-06M33-00  | BOLT, FLANGE               | 4        |                           |
| 14       | 6G8-41133-A0-00 | GASKET, EXHAUST MANIFOLD 1 | 1        |                           |
| 15       | 6G8-45111-12-EL | CASING, UPPER (WH)         | 1        | UR HARBOR WHITE           |
| 15       | 6G8-45111-12-EK | CASING, UPPER              | 1        | UR METALLIC MARINE SILVER |
| 16       | 6G8-82149-00-00 | WIRE, LEAD 3               | 1        |                           |
| 17       | 97395-06012-00  | BOLT                       | 1        |                           |
| 18       | 92990-06600-00  | WASHER, PLATE              | 1        |                           |
| 19       | 6G8-45151-00-00 | COVER, UPPER CASING        | 1        |                           |
| 20       | 6G8-45113-A0-00 | GASKET, UPPER CASING       | 1        |                           |
| 21       | 93606-12019-00  | .PIN, DOWEL                | 2        |                           |
| 22       | 97395-08040-00  | BOLT                       | 6        |                           |
| 23       | 92990-08600-00  | ..WASHER, PLATE            | 6        |                           |
| 24       | 6G8-42741-00-EK | APRON 1                    | 1        | UR METALLIC MARINE SILVER |
| 24       | 6G8-42741-00-EL | APRON 1                    | 1        | UR HARBOR WHITE           |
| 25       | 6G8-42791-00-00 | MARK 1                     | 1        |                           |
| 26       | 6G8-42771-00-EK | APRON 2                    | 1        | UR METALLIC MARINE SILVER |
| 26       | 6G8-42771-00-EL | APRON 2                    | 1        | UR HARBOR WHITE           |
| 27       | 6G8-42792-00-00 | MARK                       | 1        |                           |
| 28       | 90157-06M04-00  | SCREW, PAN HEAD            | 2        |                           |
| 29       | 6G8-11355-00-00 | SEAL, CYLINDER 1           | 1        |                           |
| 30       | 6G8-45211-20-EL | EXTENSION                  | 1        | ULTRA LONG                |
| 31       | 90116-08M19-00  | BOLT, STUD                 | 4        | ULTRA LONG                |
| 32       | 95380-08600-00  | NUT                        | 4        | ULTRA LONG                |
| 33       | 92990-08600-00  | ..WASHER, PLATE            | 4        | ULTRA LONG                |
| 34       | 93606-12019-00  | .PIN, DOWEL                | 2        | ULTRA LONG                |

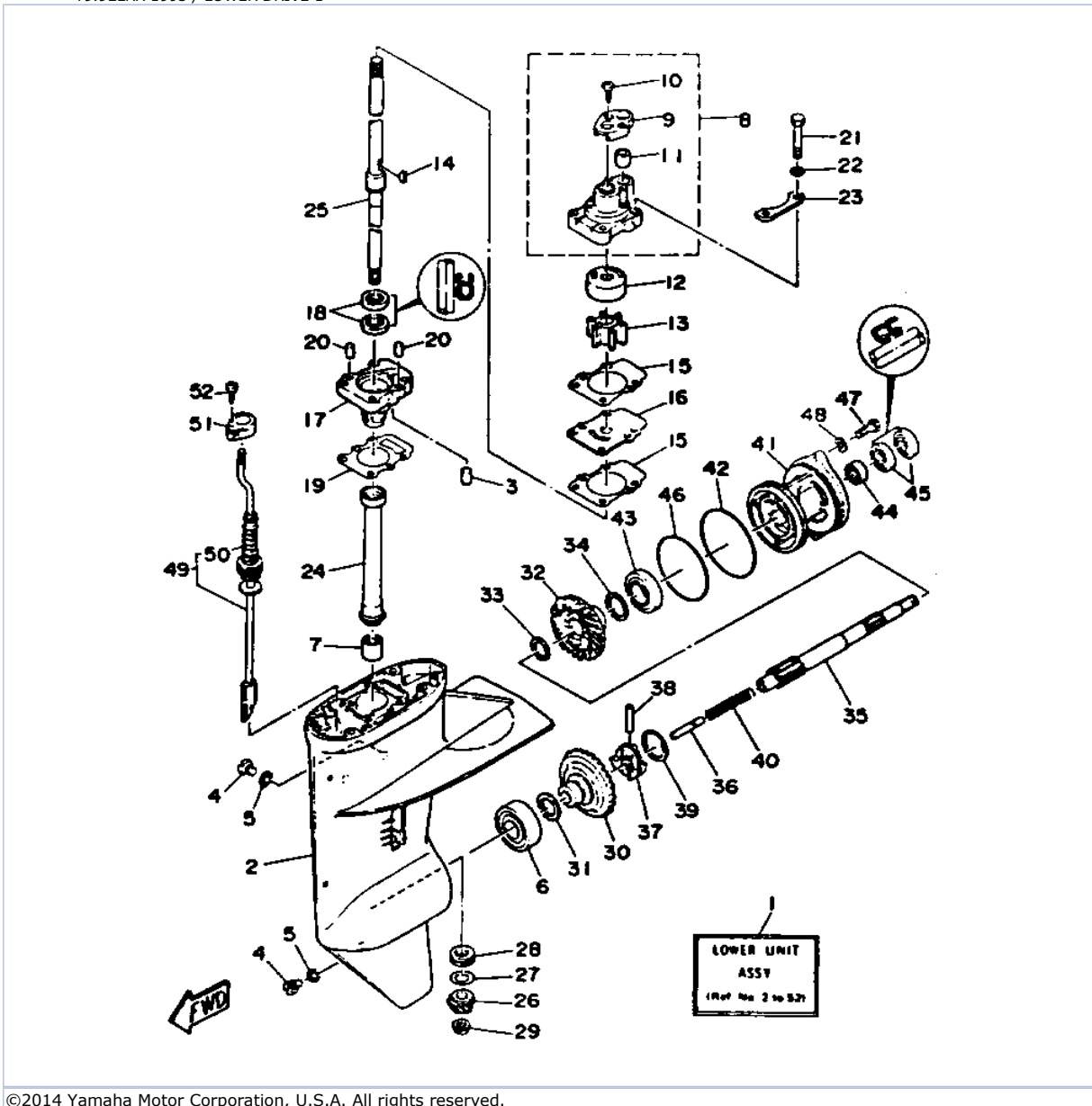
## Part Notes

T9.9ELRR 1993 / UPPER CASING

| PART NUMBER    |   | NOTE TEXT  |
|----------------|---|--|
| 92990-06600-00 |  | OEM: This part number is among the Top 100 Most Popular Marine Maintenance Parts as of March 2014. |
| 92990-06600-00 |  | OEM: This part number is among the Top 100 Most Popular Marine Maintenance Parts as of March 2014. |

©2014 Yamaha Motor Corporation, U.S.A. All rights reserved.

T9.9ELRR 1993 / LOWER DRIVE 1



©2014 Yamaha Motor Corporation, U.S.A. All rights reserved.

## Part List




T9.9ELRR 1993 / LOWER DRIVE 1

| REF - NO | PART NUMBER     | PART NAME                  | QUANTITY | REMARKS                   |
|----------|-----------------|----------------------------|----------|---------------------------|
| 1        | 6G8-45300-16-EK | LOWER UNIT ASSEMBLY        | 1        | UR METALLIC MARINE SILVER |
| 1        | 6G8-45300-26-EL | LOWER UNIT ASSEMBLY        | 1        | UR HARBOR WHITE           |
| 2        | 6G8-45311-04-EK | CASING, LOWER              | 1        | UR METALLIC MARINE SILVER |
| 2        | 6G8-45311-04-EL | CASING, LOWER              | 1        | UR HARBOR WHITE           |
| 3        | 93604-08062-00  | PIN, DOWEL                 | 1        |                           |
| 4        | 90340-08M04-00  | PLUG, STRAIGHT SCREW       | 3        |                           |
| 5        | 90430-08020-00  | .GASKET                    | 3        |                           |
| 6        | 93332-00005-00  | BEARING                    | 1        |                           |
| 7        | 93315-213V4-00  | BEARING                    | 1        |                           |
| 8        | 682-44300-01-00 | HOUSING, WATER PUMP        | 1        |                           |
| 9        | 682-44312-00-00 | .COVER, WATER PUMP HOUSING | 1        |                           |
| 10       | 97780-40112-00  | .SCREW, TAPPING            | 2        |                           |
| 11       | 682-44365-00-00 | .DAMPER, WATER SEAL        | 1        |                           |
| 12       | 682-44322-00-00 | INSERT, CARTRIDGE          | 1        |                           |
| 13       | 682-44352-01-00 | IMPELLER                   | 1        |                           |
| 14       | 90280-03024-00  | .KEY, WOODRUFF             | 1        |                           |
| 15       | 682-44315-A0-00 | GASKET, WATER PUMP         | 2        |                           |
| 16       | 682-44323-00-00 | OUTER PLATE, CARTRIDGE     | 1        |                           |
| 17       | 6G8-45331-00-5B | HOUSING, BEARING           | 1        |                           |
| 18       | 93101-20048-00  | .OIL SEAL                  | 2        |                           |
| 19       | 6G8-45315-A0-00 | PACKING, LOWER CASING      | 1        |                           |
| 20       | 93606-12019-00  | .PIN, DOWEL                | 2        |                           |
| 21       | 97395-06045-00  | BOLT, HEXAGON              | 4        |                           |
| 22       | 92990-06600-00  | WASHER, PLATE              | 4        |                           |
| 23       | 682-44328-00-00 | PLATE                      | 2        |                           |
| 24       | 6G8-45536-00-00 | SLEEVE, DRIVE SHAFT        | 1        |                           |
| 25       | 6G8-45501-10-00 | DRIVE SHAFT COMP.          | 1        | UR LONG                   |
| 25       | 6G8-45501-20-00 | DRIVE SHAFT COMP.          | 1        | UR ULTRA LONG             |
| 26       | 6G8-45551-00-00 | PINION (13T)               | 1        |                           |
| 27       | 6G8-45587-00-10 | SHIM (T:0.10MM)            | 1        | UR                        |
| 27       | 6G8-45587-00-14 | SHIM (T:0.14MM)            | 1        | UR                        |
| 27       | 6G8-45587-00-50 | SHIM (T:0.50MM)            | 1        | UR                        |
| 27       | 6G8-45587-00-35 | SHIM (T:0.35MM)            | 1        | UR                        |
| 27       | 6G8-45587-00-18 | SHIM (T:0.18MM)            | 1        | UR                        |
| 28       | 93341-313U3-00  | BEARING                    | 1        |                           |
| 29       | 90179-08M06-00  | NUT                        | 1        |                           |
| 30       | 6G8-45560-00-00 | GEAR                       | 1        |                           |
| 31       | 626-45577-00-01 | SHIM (T:0.10MM)            | 1        | UR                        |
| 31       | 626-45577-00-05 | SHIM (T:0.50MM)            | 1        | UR                        |
| 31       | 626-45577-00-03 | SHIM (T:0.30MM)            | 1        | UR                        |
| 32       | 6G8-45571-00-00 | GEAR 2 (38T)               | 1        |                           |
| 33       | 90201-17682-00  | WASHER, PLATE              | 1        |                           |
| 34       | 626-45577-00-01 | SHIM (T:0.10MM)            | 1        | UR                        |
| 34       | 626-45577-00-03 | SHIM (T:0.30MM)            | 1        | UR                        |
| 34       | 626-45577-00-05 | SHIM (T:0.50MM)            | 1        | UR                        |
| 35       | 6G8-45611-00-00 | SHAFT, PROPELLER           | 1        |                           |
| 36       | 650-45635-00-00 | PLUNGER, SHIFT             | 1        |                           |
| 37       | 682-45631-00-00 | CLUTCH, DOG                | 1        |                           |
| 38       | 90250-05010-00  | PIN, STRAIGHT              | 1        |                           |
| 39       | 648-45633-00-00 | RING, CROSS PIN            | 1        |                           |
| 40       | 90501-14M06-00  | SPRING, COMPRESSION        | 1        |                           |
| 41       | 6G8-45361-01-EK | CAP, LOWER CASING          | 1        | UR METALLIC MARINE SILVER |
| 41       | 6G8-45361-01-EL | CAP, LOWER CASING          | 1        | UR HARBOR WHITE           |
| 42       | 93210-74316-00  | .O-RING                    | 1        |                           |
| 43       | 93306-00501-00  | BEARING                    | 1        |                           |
| 44       | 93315-317U2-00  | BEARING                    | 1        |                           |
| 45       | 93101-17054-00  | .OIL SEAL                  | 2        |                           |
| 46       | 93210-74M68-00  | .O-RING                    | 1        |                           |
| 47       | 97395-06020-00  | BOLT, HEXAGON              | 2        |                           |

|    |                 |                  |   |               |
|----|-----------------|------------------|---|---------------|
| 48 | 92990-06600-00  | WASHER, PLATE    | 2 |               |
| 49 | 6G8-44150-10-00 | SHIFT CAM ASSY   | 1 | UR LONG       |
| 49 | 6G8-44150-20-00 | SHIFT CAM ASSY   | 1 | UR ULTRA LONG |
| 50 | 682-44147-00-00 | .BOOT, SHIFT ROD | 1 |               |
| 51 | 682-44176-00-00 | BRACKET          | 1 |               |
| 52 | 97780-50110-00  | SCREW, PAN HEAD  | 1 |               |

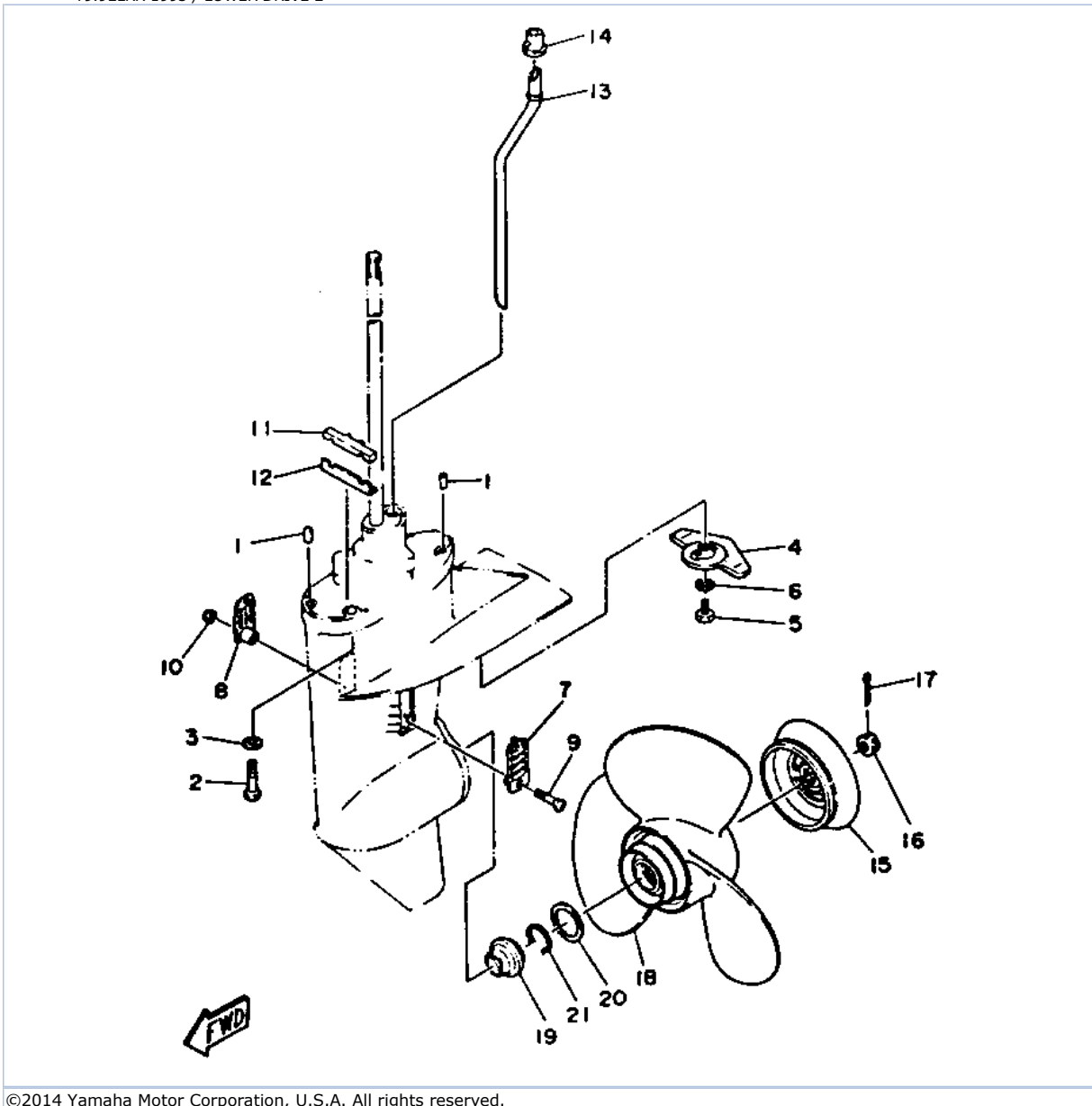
## Part Notes

T9.9ELRR 1993 / LOWER DRIVE 1

| PART NUMBER    |   | NOTE TEXT  |
|----------------|---|--|
| 90430-08020-00 |  | OEM: This part number is among the Top 100 Most Popular Marine Maintenance Parts as of March 2014. |
| 92990-06600-00 |  | OEM: This part number is among the Top 100 Most Popular Marine Maintenance Parts as of March 2014. |
| 92990-06600-00 |  | OEM: This part number is among the Top 100 Most Popular Marine Maintenance Parts as of March 2014. |

©2014 Yamaha Motor Corporation, U.S.A. All rights reserved.

T9.9ELRR 1993 / LOWER DRIVE 2



©2014 Yamaha Motor Corporation, U.S.A. All rights reserved.


## Part List

T9.9ELRR 1993 / LOWER DRIVE 2

| REF - NO | PART NUMBER     | PART NAME                      | QUANTITY | REMARKS       |
|----------|-----------------|--------------------------------|----------|---------------|
| 1        | 93606-12019-00  | .PIN, DOWEL                    | 2        |               |
| 2        | 97090-08035-00  | BOLT                           | 4        |               |
| 3        | 92990-08600-00  | ..WASHER, PLATE                | 4        |               |
| 4        | 6E8-45251-01-00 | ANODE                          | 1        |               |
| 5        | 97395-06020-00  | BOLT, HEXAGON                  | 1        |               |
| 6        | 92990-06600-00  | WASHER, PLATE                  | 1        |               |
| 7        | 6G8-45214-00-00 | COVER, WATER INLET 1           | 1        |               |
| 8        | 6G8-45215-00-00 | COVER, WATER INLET 2           | 1        |               |
| 9        | 98680-05525-00  | SCREW.OVAL HEAD                | 1        |               |
| 10       | 90185-05002-00  | NUT, NYLON                     | 1        |               |
| 11       | 682-45375-01-00 | DAMPER, SEAL                   | 1        |               |
| 12       | 682-45376-01-00 | GUIDE, SEAL DAMPER             | 1        |               |
| 13       | 6G8-44361-20-00 | TUBE, WATER                    | 1        | UR ULTRA LONG |
| 13       | 6G8-44361-10-00 | TUBE, WATER                    | 1        | UR LONG       |
| 14       | 626-44365-01-00 | DAMPER, WATER SEAL             | 1        |               |
| 15       | 6G8-45986-00-00 | RING, DEFLECTOR                | 1        |               |
| 16       | 90171-10M07-00  | NUT, CASTLE                    | 1        |               |
| 17       | 91490-30030-00  | PIN, COTTER                    | 1        |               |
| 18       | 6G8-45947-00-EL | PROPELLER (3X11-3/4"X9-1/4"-R) | 1        | UR ALUM.      |
| 18       | 6G8-45945-00-00 | PROPELLER(3X11-3/4"X12-1/4"-R) | 1        | UR            |
| 18       | 6G8-45941-00-00 | PROPELLER (3X11" X 11-3/4"-R)  | 1        | UR            |
| 18       | 6G8-45943-00-00 | PROPELLER (3X11-3/4"X9-1/4"-R) | 1        | UR            |
| 19       | 6G8-45987-02-00 | SPACER 1                       | 1        |               |
| 20       | 90201-31MA3-00  | WASHER, PLATE                  | 1        |               |
| 21       | 93450-10M04-00  | CIRCLIP                        | 1        |               |

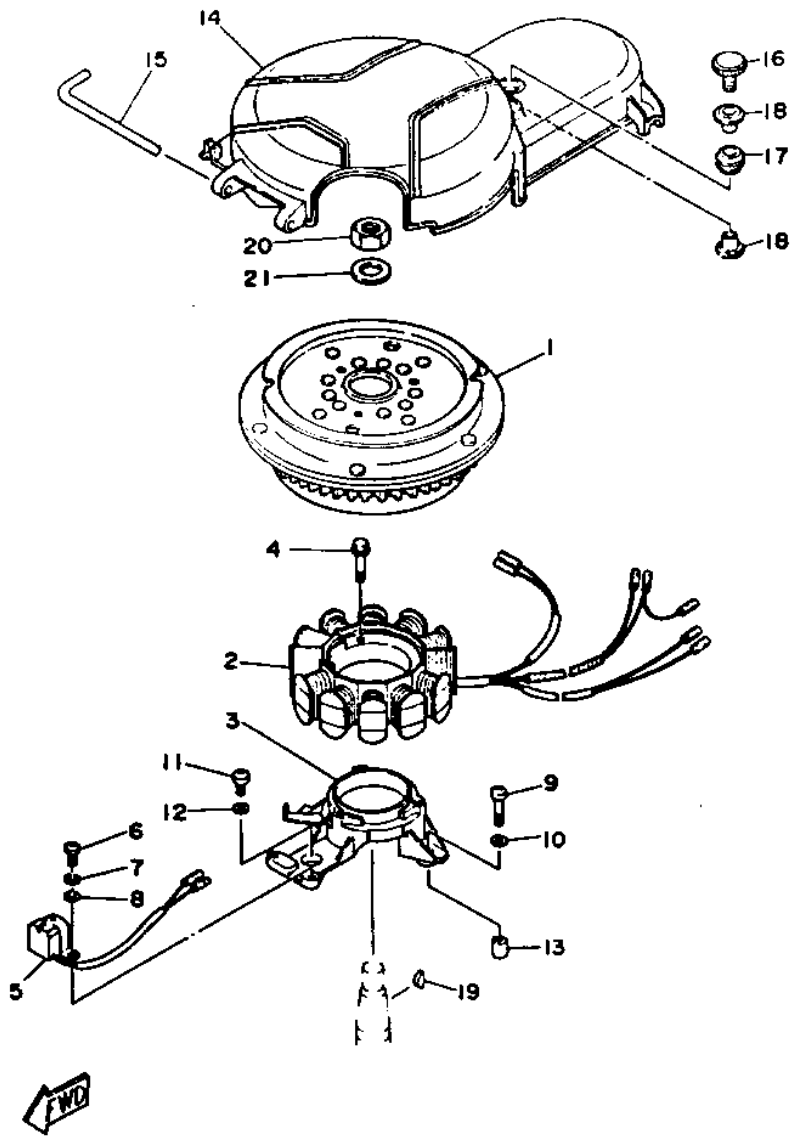
## Part Notes

T9.9ELRR 1993 / LOWER DRIVE 2

| PART NUMBER  | NOTE TEXT  |
|--|--|
| 92990-06600-00  | OEM: This part number is among the Top 100 Most Popular Marine Maintenance Parts as of March 2014. |

©2014 Yamaha Motor Corporation, U.S.A. All rights reserved.

T9.9ELRR 1993 / CDI MAGNETO



©2014 Yamaha Motor Corporation, U.S.A. All rights reserved.



## Part List

T9.9ELRR 1993 / CDI MAGNETO

| REF<br>-<br>NO | PART<br>NUMBER  | PART NAME        | QUANTITY | REMARKS |
|----------------|-----------------|------------------|----------|---------|
| 1              | 6G8-85550-11-00 | ROTOR ASSY       | 1        |         |
| 2              | 6G8-85510-01-00 | STATOR ASSY      | 1        |         |
| 3              | 6G8-85561-00-94 | BASE, MAGNETO    | 1        |         |
| 4              | 95023-06025-00  | BOLT             | 3        |         |
| 5              | 6G8-85580-02-00 | .COIL, PULSER    | 1        |         |
| 6              | 98580-05012-00  | .SCREW, PAN HEAD | 2        |         |
| 7              | 92990-05100-00  | .WASHER, SPRING  | 2        |         |
| 8              | 92990-05600-00  | WASHER, PLATE    | 2        |         |
| 9              | 98580-06025-00  | SCREW, PAN HEAD  | 2        |         |
| 10             | 92990-06600-00  | WASHER, PLATE    | 2        |         |
| 11             | 98580-06020-00  | SCREW, PAN HEAD  | 1        |         |
| 12             | 92990-06600-00  | WASHER, PLATE    | 1        |         |
| 13             | 99510-08012-00  | PIN, DOWEL       | 2        |         |
| 14             | 6G8-81337-00-00 | COVER, FLYWHEEL  | 1        |         |
| 15             | 6G8-42752-00-00 | SHAFT            | 1        |         |
| 16             | 6G8-81323-00-00 | SCREW 1          | 1        |         |
| 17             | 90480-15M31-00  | GROMMET          | 1        |         |
| 18             | 90387-06M71-00  | COLLAR           | 2        |         |
| 19             | 90280-16053-00  | KEY, WOODRUFF    | 1        |         |
| 20             | 90170-12066-00  | NUT              | 1        |         |
| 21             | 90201-12472-00  | WASHER, PLATE    | 1        |         |

## Part Notes

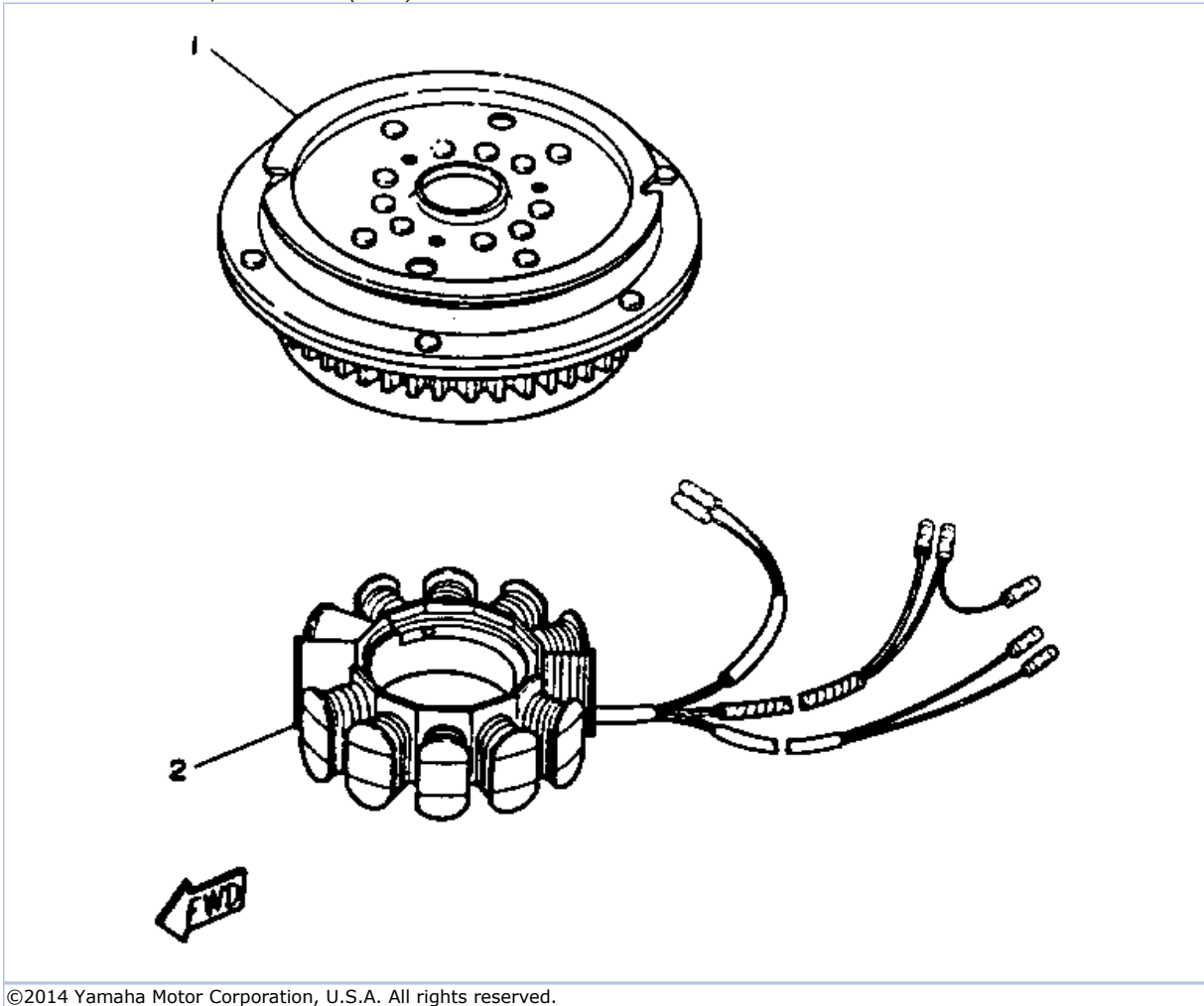
T9.9ELRR 1993 / CDI MAGNETO

| PART NUMBER  | NOTE TEXT  |
|--|--|
| 92990-06600-00  | OEM: This part number is among the Top 100 Most Popular Marine Maintenance Parts as of March 2014. |
| 92990-06600-00  | OEM: This part number is among the Top 100 Most Popular Marine Maintenance Parts as of March 2014. |

©2014 Yamaha Motor Corporation, U.S.A. All rights reserved.



T9.9ELRR 1993 / CDI MAGNETO (EH ER)



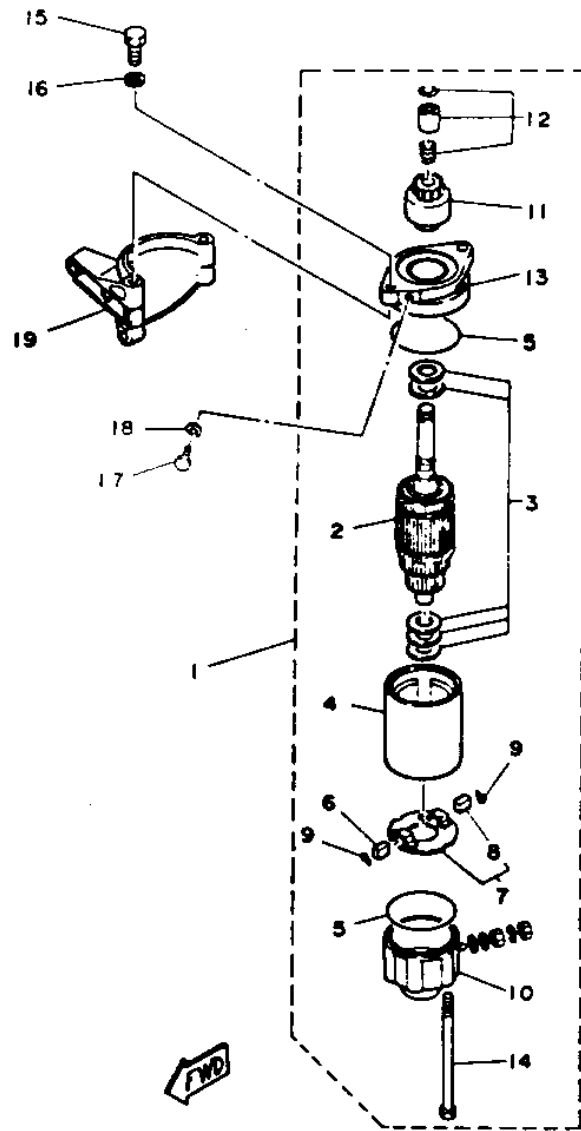
©2014 Yamaha Motor Corporation, U.S.A. All rights reserved.

## Part List

T9.9ELRR 1993 / CDI MAGNETO (EH ER)

| REF<br>-<br>NO | PART<br>NUMBER  | PART NAME   | QUANTITY | REMARKS |
|----------------|-----------------|-------------|----------|---------|
| 1              | 6G8-85550-01-00 | ROTOR ASSY  | 1        |         |
| 2              | 6G8-85510-01-00 | STATOR ASSY | 1        |         |

T9.9ELRR 1993 / STARTING MOTOR



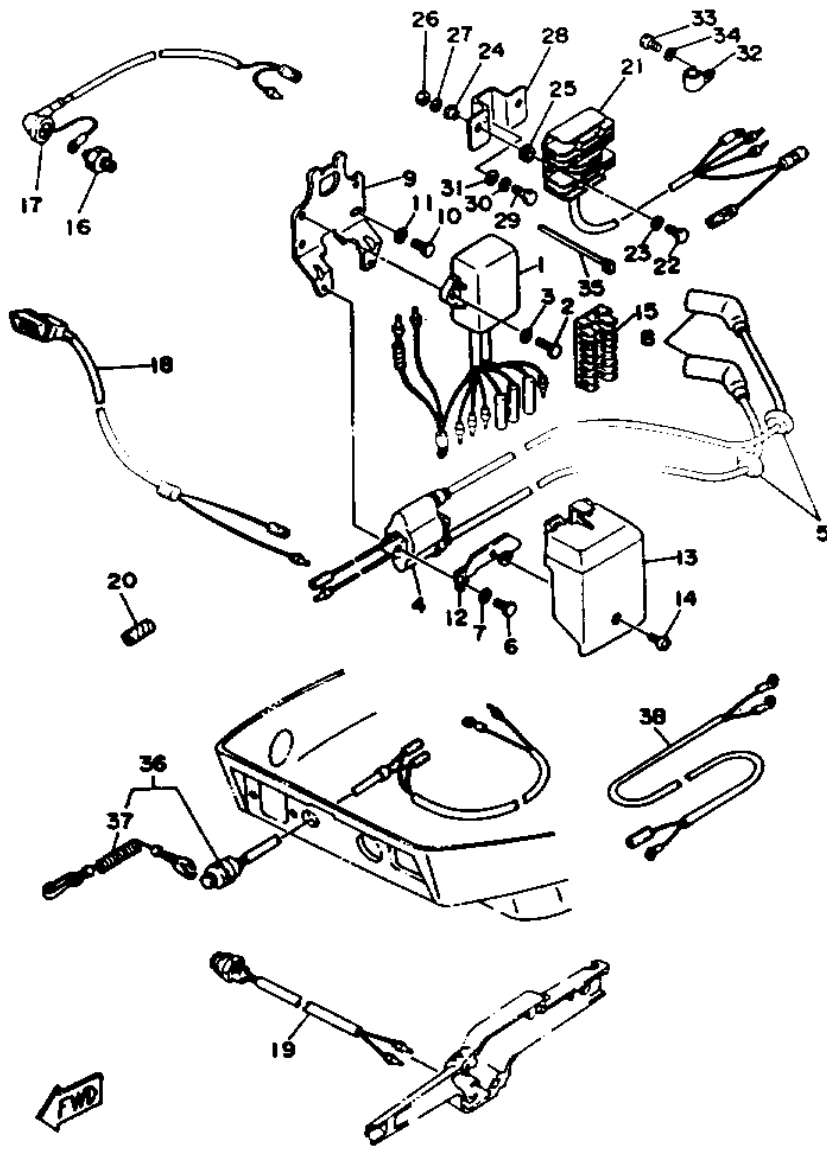
©2014 Yamaha Motor Corporation, U.S.A. All rights reserved.

## Part List

T9.9ELRR 1993 / STARTING MOTOR

| REF<br>-<br>NO | PART<br>NUMBER  | PART NAME                     | QUANTITY | REMARKS |
|----------------|-----------------|-------------------------------|----------|---------|
| 1              | 6G8-81800-11-00 | STARTING MOTOR ASSY           | 1        |         |
| 2              | 689-81850-12-00 | .ARMATURE ASSY                | 1        |         |
| 3              | 689-81809-11-00 | .WASHER KIT                   | 1        |         |
| 4              | 689-81810-11-00 | .STATOR ASSY                  | 1        |         |
| 5              | 689-81847-11-00 | .O-RING                       | 2        |         |
| 6              | 689-81811-11-00 | .BRUSH 1                      | 1        |         |
| 7              | 689-81840-11-00 | .BRUSH HOLDER ASSY            | 1        |         |
| 8              | 689-81812-11-00 | ..BRUSH 2                     | 1        |         |
| 9              | 689-81813-10-00 | .SPRING, BRUSH                | 2        |         |
| 10             | 689-81820-11-00 | .REAR BRACKET ASSY            | 1        |         |
| 11             | 689-81807-12-00 | .GEAR ASSY, STARTING<br>MOTOR | 1        |         |
| 12             | 689-81857-11-00 | .PINION STOPPER SET           | 1        |         |
| 13             | 6F5-81830-11-00 | .FRONT BRACKET ASSY           | 1        |         |
| 14             | 689-81826-10-00 | .BOLT                         | 2        |         |
| 15             | 97013-08025-00  | BOLT                          | 2        |         |
| 16             | 92990-08600-00  | ..WASHER, PLATE               | 2        |         |
| 17             | 97395-08016-00  | BOLT                          | 1        |         |
| 18             | 92990-08600-00  | ..WASHER, PLATE               | 1        |         |
| 19             | 6G8-81822-40-94 | BRACKET, STARTING MOTOR       | 1        |         |

T9.9ELRR 1993 / ELECTRIC PARTS



©2014 Yamaha Motor Corporation, U.S.A. All rights reserved.








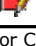
## Part List

T9.9ELRR 1993 / ELECTRIC PARTS

| REF<br>-<br>NO | PART<br>NUMBER  | PART NAME                     | QUANTITY | REMARKS                     |
|----------------|-----------------|-------------------------------|----------|-----------------------------|
| 1              | 6G8-85540-22-00 | C.D.I. UNIT ASSEMBLY          | 1        |                             |
| 2              | 97395-06020-00  | BOLT, HEXAGON                 | 2        |                             |
| 3              | 92990-06600-00  | WASHER, PLATE                 | 2        |                             |
| 4              | 6G8-85570-21-00 | IGNITION COIL ASSY            | 1        |                             |
| 5              | 90480-25161-00  | GROMMET                       | 2        |                             |
| 6              | 97395-06025-00  | BOLT                          | 2        |                             |
| 7              | 92990-06600-00  | WASHER, PLATE                 | 2        |                             |
| 8              | 6G8-82370-20-00 | PLUG CAP ASSEMBLY             | 2        |                             |
| 9              | 6G8-85542-00-00 | BRACKET                       | 1        |                             |
| 10             | 97395-06020-00  | BOLT, HEXAGON                 | 2        |                             |
| 11             | 92990-06600-00  | WASHER, PLATE                 | 2        |                             |
| 12             | 6G8-85525-00-00 | PLATE                         | 1        |                             |
| 13             | 6G8-81916-00-00 | COVER, TERMINAL               | 1        |                             |
| 14             | 98980-06008-00  | SCREW, BIND                   | 1        |                             |
| 15             | 6G8-82522-00-00 | CLAMP, COUPLER                | 1        |                             |
| 16             | 6G8-82504-00-00 | OIL PRESSURE SWITCH ASSY      | 1        |                             |
| 17             | 6G8-82127-00-00 | WIRE, LEAD 2                  | 1        |                             |
| 18             | 6G8-83582-01-00 | PILOT LIGHT ASSY              | 1        |                             |
| 19             | 6G8-82550-20-00 | ENGINE STOP SWITCH ASSY       | 1        | AP FOR HANDY REMOTE CONTROL |
| 19             | 6G8-82550-10-00 | ENGINE STOP SWITCH ASSY       | 1        |                             |
| 20             | 90446-10M02-00  | HOSE                          | 1        |                             |
| 21             | 6G8-81960-00-00 | RECTIFIER & REGULATOR<br>ASSY | 1        |                             |
| 22             | 97395-06025-00  | BOLT                          | 2        |                             |
| 23             | 92990-06600-00  | WASHER, PLATE                 | 2        |                             |
| 24             | 90387-06M70-00  | COLLAR                        | 2        |                             |
| 25             | 90480-13M24-00  | GROMMET                       | 2        |                             |
| 26             | 95380-06700-00  | NUT                           | 2        |                             |
| 27             | 92990-06600-00  | WASHER, PLATE                 | 2        |                             |
| 28             | 6G8-81948-02-00 | BRACKET                       | 1        |                             |
| 29             | 97395-06020-00  | BOLT, HEXAGON                 | 1        |                             |
| 30             | 92995-06100-00  | WASHER, SPRING                | 1        |                             |
| 31             | 92990-06600-00  | WASHER, PLATE                 | 1        |                             |
| 32             | 90465-08028-00  | CLAMP                         | 1        |                             |
| 33             | 97013-06012-00  | BOLT                          | 1        |                             |
| 34             | 92990-06600-00  | WASHER, PLATE                 | 1        |                             |
| 35             | 90465-11M10-00  | CLAMP                         | 1        |                             |
| 36             | 6G8-82575-00-00 | ENGINE STOP SWITCH ASSY       | 1        |                             |
| 37             | 682-82556-00-00 | .LANYARD, STOP SWITCH         | 1        |                             |
| 38             | 6G8-81949-00-00 | WIRE, LEAD                    | 1        | AP                          |

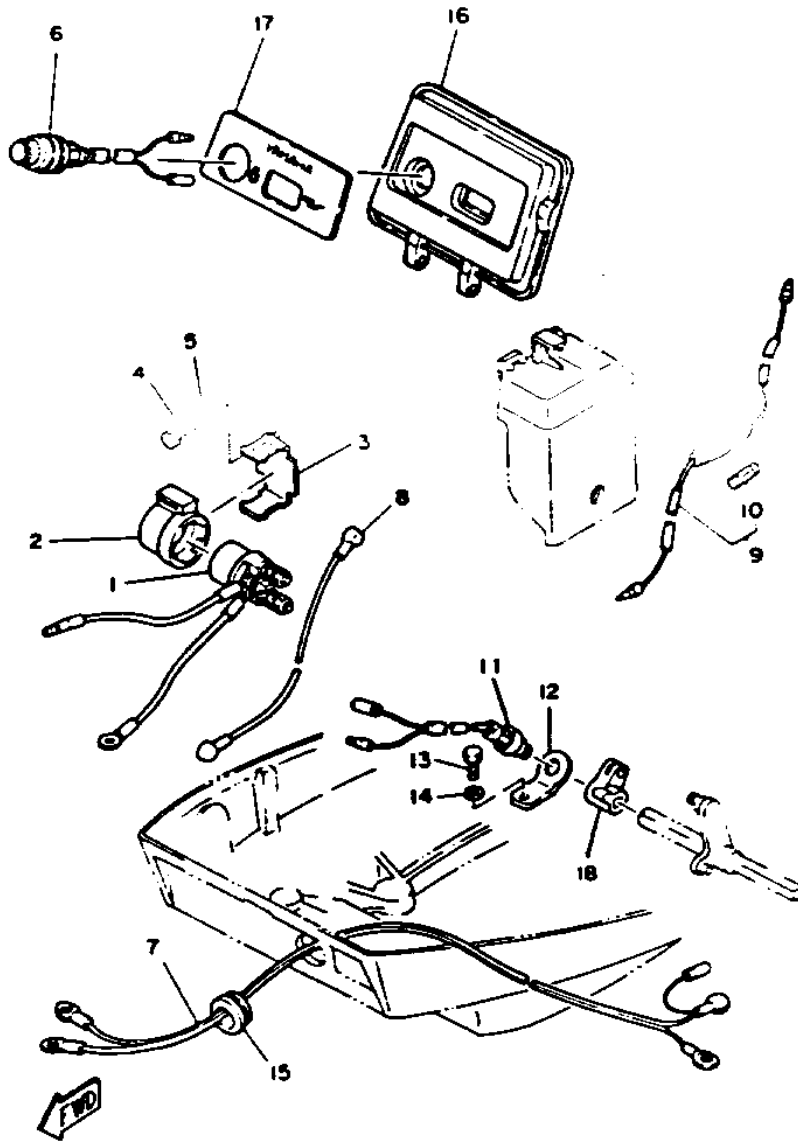
## Part Notes

T9.9ELRR 1993 / ELECTRIC PARTS

| PART NUMBER     |   | NOTE TEXT  |
|-----------------|---|--|
| 92990-06600-00  |  | OEM: This part number is among the Top 100 Most Popular Marine Maintenance Parts as of March 2014. |
| 92990-06600-00  |  | OEM: This part number is among the Top 100 Most Popular Marine Maintenance Parts as of March 2014. |
| 92990-06600-00  |  | OEM: This part number is among the Top 100 Most Popular Marine Maintenance Parts as of March 2014. |
| 92990-06600-00  |  | OEM: This part number is among the Top 100 Most Popular Marine Maintenance Parts as of March 2014. |
| 92990-06600-00  |  | OEM: This part number is among the Top 100 Most Popular Marine Maintenance Parts as of March 2014. |
| 92990-06600-00  |  | OEM: This part number is among the Top 100 Most Popular Marine Maintenance Parts as of March 2014. |
| 92990-06600-00  |  | OEM: This part number is among the Top 100 Most Popular Marine Maintenance Parts as of March 2014. |
| 682-82556-00-00 |  | OEM: This part number is among the Top 100 Most Popular Marine Maintenance Parts as of March 2014. |

©2014 Yamaha Motor Corporation, U.S.A. All rights reserved.

T9.9ELRR 1993 / ELECTRIC PARTS 1 (EH)



©2014 Yamaha Motor Corporation, U.S.A. All rights reserved.



## Part List

T9.9ELRR 1993 / ELECTRIC PARTS 1 (EH)

| REF<br>-<br>NO | PART<br>NUMBER  | PART NAME            | QUANTITY | REMARKS |
|----------------|-----------------|----------------------|----------|---------|
| 1              | 6J0-81941-10-00 | STARTER RELY ASSY    | 1        |         |
| 2              | 6G1-81952-00-00 | HOLDER, RELAY        | 1        |         |
| 3              | 6G8-81953-00-00 | STAY, RELAY          | 1        |         |
| 4              | 97013-06012-00  | BOLT                 | 1        |         |
| 5              | 92990-06600-00  | WASHER, PLATE        | 1        |         |
| 6              | 6G8-81870-00-00 | STARTING SWITCH ASSY | 1        |         |
| 7              | 6G8-82105-00-00 | BATTERY CABLE        | 1        |         |
| 8              | 6G8-82117-00-00 | WIRE, LEAD           | 1        |         |
| 9              | 6G8-82150-00-00 | FUSE HOLDER ASSY     | 1        |         |
| 10             | 682-82151-00-00 | .FUSE (12V-20A)      | 1        |         |
| 11             | 6H3-82540-00-00 | NEUTRAL SWITCH ASSY  | 1        |         |
| 12             | 6G8-82554-00-00 | STAY, NEUTRAL SWITCH | 1        |         |
| 13             | 97013-06012-00  | BOLT                 | 1        |         |
| 14             | 92990-06600-00  | WASHER, PLATE        | 1        |         |
| 15             | 6G8-42724-40-00 | GROMMET              | 1        |         |
| 16             | 6G8-W4261-10-00 | PANEL, FRONT UPPER   | 1        |         |
| 17             | 6G8-42677-10-00 | GRAPHIC, FRONT       | 1        |         |
| 18             | 6G8-44125-00-00 | LEVER, SHIFT ROD     | 1        |         |

## Part Notes

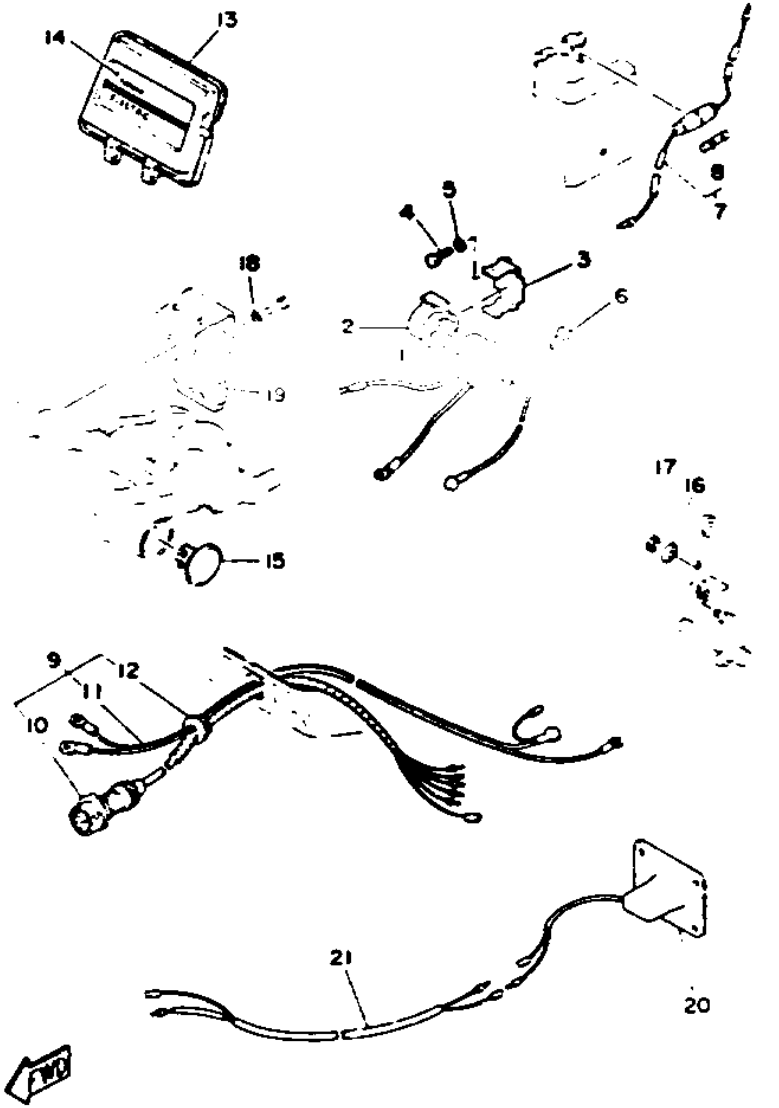
T9.9ELRR 1993 / ELECTRIC PARTS 1 (EH)

| PART NUMBER    |   | NOTE TEXT  |
|----------------|---|--|
| 92990-06600-00 |   | OEM: This part number is among the Top 100 Most Popular Marine Maintenance Parts as of March 2014. |
| 92990-06600-00 |  | OEM: This part number is among the Top 100 Most Popular Marine Maintenance Parts as of March 2014. |

©2014 Yamaha Motor Corporation, U.S.A. All rights reserved.



T9.9ELRR 1993 / ELECTRIC PARTS 2 (ER)



©2014 Yamaha Motor Corporation, U.S.A. All rights reserved.



## Part List

T9.9ELRR 1993 / ELECTRIC PARTS 2 (ER)

| REF<br>-<br>NO | PART<br>NUMBER  | PART NAME           | QUANTITY | REMARKS |
|----------------|-----------------|---------------------|----------|---------|
| 1              | 6J0-81941-10-00 | STARTER RELY ASSY   | 1        |         |
| 2              | 6G1-81952-00-00 | HOLDER, RELAY       | 1        |         |
| 3              | 6G8-81953-00-00 | STAY, RELAY         | 1        |         |
| 4              | 97013-06012-00  | BOLT                | 1        |         |
| 5              | 92990-06600-00  | WASHER, PLATE       | 1        |         |
| 6              | 6G8-82117-00-00 | WIRE, LEAD          | 1        |         |
| 7              | 6G8-82150-00-00 | FUSE HOLDER ASSY    | 1        |         |
| 8              | 682-82151-00-00 | .FUSE (12V-20A)     | 1        |         |
| 9              | 6G8-82580-00-00 | WIRE HARNESS ASSY 2 | 1        |         |
| 10             | 6G8-82590-00-00 | .WIRE HARNESS ASSY  | 1        |         |
| 11             | 6G8-82105-00-00 | .BATTERY CABLE      | 1        |         |
| 12             | 6G8-42724-50-00 | .GROMMET            | 1        |         |
| 13             | 6G8-W4261-10-00 | PANEL, FRONT UPPER  | 1        |         |
| 14             | 6G8-42677-20-00 | GRAPHIC, FRONT      | 1        |         |
| 15             | 6G8-42551-00-00 | GROMMET             | 1        |         |
| 16             | 90387-06M73-00  | COLLAR              | 1        |         |
| 17             | 93430-04M03-00  | CIRCLIP             | 1        |         |
| 18             | 92990-06600-00  | WASHER, PLATE       | 2        |         |
| 19             | 6G8-48351-51-00 | SEAL RUBBER         | 1        |         |
| 20             | 6G8-83530-00-00 | PILOT LIGHT ASSY    | 1        |         |
| 21             | 6G8-82541-00-00 | WIRE, LEAD          | 1        |         |

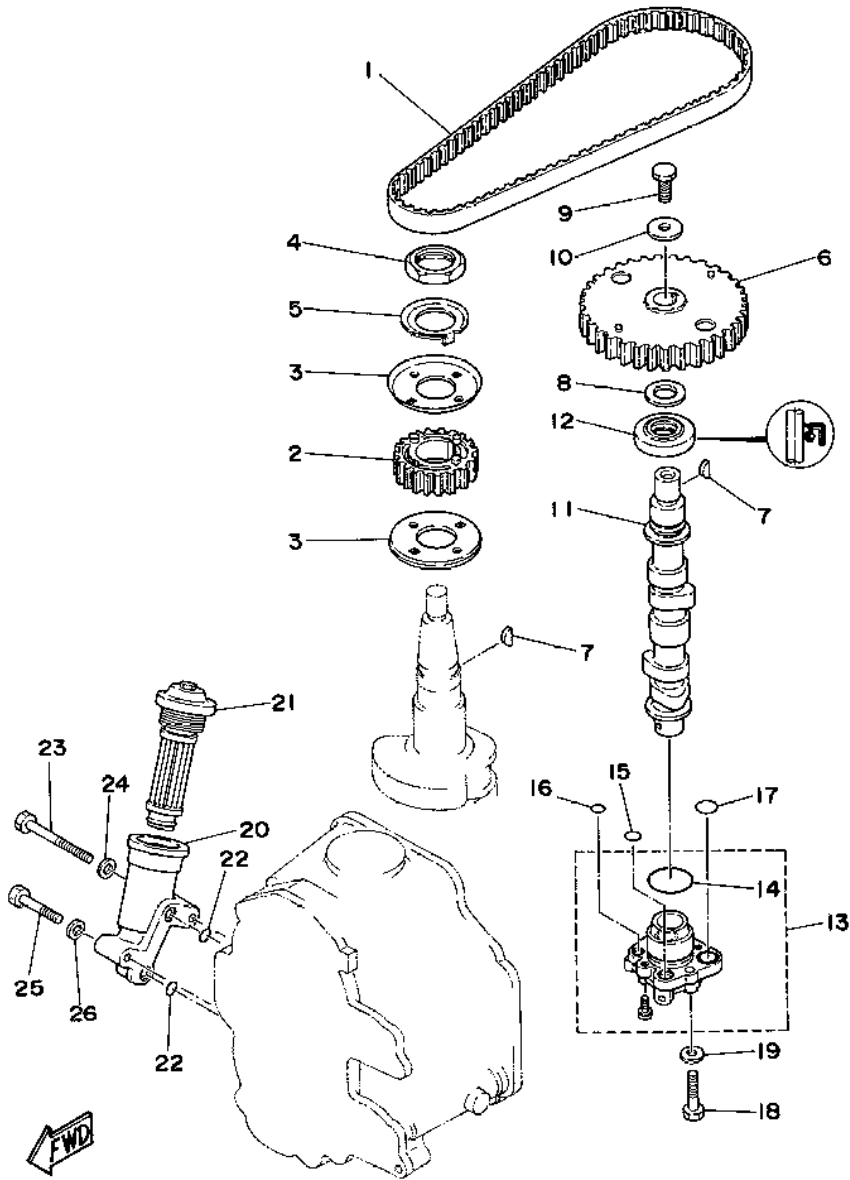
## Part Notes

T9.9ELRR 1993 / ELECTRIC PARTS 2 (ER)

| PART NUMBER  | NOTE TEXT  |
|--|--|
| 92990-06600-00  | OEM: This part number is among the Top 100 Most Popular Marine Maintenance Parts as of March 2014. |
| 92990-06600-00  | OEM: This part number is among the Top 100 Most Popular Marine Maintenance Parts as of March 2014. |

©2014 Yamaha Motor Corporation, U.S.A. All rights reserved.

T9.9ELRR 1993 / OIL PUMP BELT



©2014 Yamaha Motor Corporation, U.S.A. All rights reserved.




## Part List

T9.9ELRR 1993 / OIL PUMP BELT

| REF - NO | PART NUMBER     | PART NAME                | QUANTITY | REMARKS |
|----------|-----------------|--------------------------|----------|---------|
| 1        | 6G8-46241-00-00 | V-BELT                   | 1        |         |
| 2        | 6G8-11536-00-94 | GEAR, DRIVE              | 1        |         |
| 3        | 6G8-11557-00-00 | WASHER 1                 | 2        |         |
| 4        | 90170-24M09-00  | NUT                      | 1        |         |
| 5        | 6G8-11587-00-00 | WASHER, LOCK             | 1        |         |
| 6        | 6G8-11537-00-94 | GEAR, DRIVEN             | 1        |         |
| 7        | 90280-03M01-00  | .KEY, WOODRUFF           | 2        |         |
| 8        | 90201-13201-00  | WASHER, PLATE            | 1        |         |
| 9        | 97313-06016-00  | BOLT, HEXAGON            | 1        |         |
| 10       | 90201-06M94-00  | WASHER, PLATE            | 1        |         |
| 11       | 6G8-12171-00-00 | CAMSHAFT 1               | 1        |         |
| 12       | 93102-18M21-00  | .OIL SEAL                | 1        |         |
| 13       | 6G8-13300-02-00 | OIL PUMP ASSY            | 1        |         |
| 14       | 93210-27ME3-00  | .O-RING                  | 1        |         |
| 15       | 93210-10M61-00  | .O-RING                  | 1        |         |
| 16       | 93210-09M01-00  | .O-RING                  | 1        |         |
| 17       | 93210-13M63-00  | .O-RING                  | 2        |         |
| 18       | 97395-06025-00  | BOLT                     | 3        |         |
| 19       | 92990-06600-00  | WASHER, PLATE            | 3        |         |
| 20       | 6G8-13442-00-94 | HOUSING, OIL FILTER      | 1        |         |
| 21       | 6G8-13440-00-00 | ELEMENT ASSY,OIL CLEANER | 1        |         |
| 22       | 93210-09M01-00  | .O-RING                  | 2        |         |
| 23       | 97313-06050-00  | BOLT                     | 1        |         |
| 24       | 92990-06600-00  | WASHER, PLATE            | 1        |         |
| 25       | 97313-06030-00  | BOLT                     | 1        |         |
| 26       | 92990-06600-00  | WASHER, PLATE            | 1        |         |

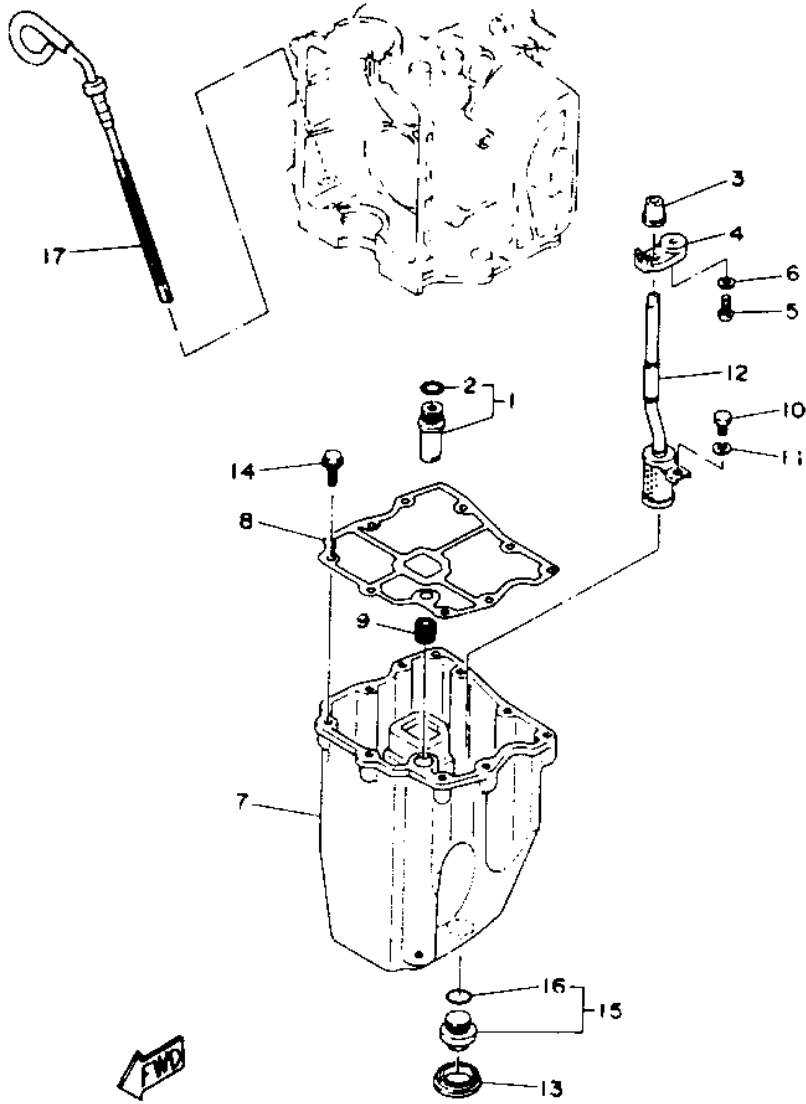
## Part Notes

T9.9ELRR 1993 / OIL PUMP BELT

| PART NUMBER  | NOTE TEXT  |
|--|--|
| 92990-06600-00  | OEM: This part number is among the Top 100 Most Popular Marine Maintenance Parts as of March 2014. |
| 92990-06600-00  | OEM: This part number is among the Top 100 Most Popular Marine Maintenance Parts as of March 2014. |
| 92990-06600-00  | OEM: This part number is among the Top 100 Most Popular Marine Maintenance Parts as of March 2014. |

©2014 Yamaha Motor Corporation, U.S.A. All rights reserved.

T9.9ELRR 1993 / OIL PAN



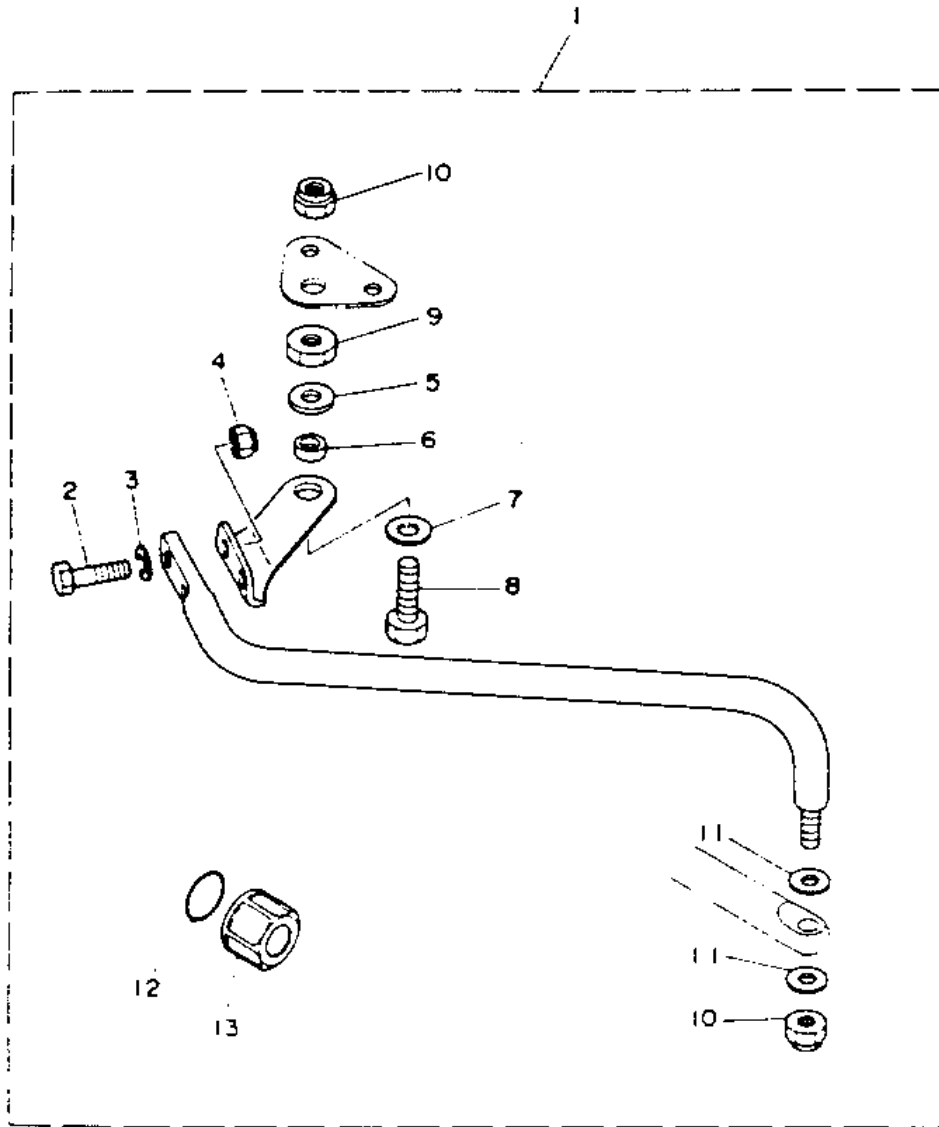
©2014 Yamaha Motor Corporation, U.S.A. All rights reserved.

## Part List

T9.9ELRR 1993 / OIL PAN

| REF<br>-<br>NO | PART<br>NUMBER  | PART NAME              | QUANTITY | REMARKS |
|----------------|-----------------|------------------------|----------|---------|
| 1              | 6G8-11575-00-00 | RELIEF VALVE ASSY      | 1        |         |
| 2              | 93210-12M62-00  | .O-RING                | 1        |         |
| 3              | 6G8-15379-00-00 | SEAL, CRANKCASE        | 1        |         |
| 4              | 6G8-13487-00-00 | GUIDE, OIL HOSE        | 1        |         |
| 5              | 98580-05012-00  | .SCREW, PAN HEAD       | 1        |         |
| 6              | 92901-05600-00  | WASHER                 | 1        |         |
| 7              | 6G8-15311-02-0D | OIL PAN                | 1        |         |
| 8              | 6G8-15312-A1-00 | .GASKET, OIL PAN       | 1        |         |
| 9              | 6G8-45127-00-00 | SEAL                   | 1        |         |
| 10             | 97313-06010-00  | BOLT, HEXAGON          | 1        |         |
| 11             | 92995-06100-00  | WASHER, SPRING         | 1        |         |
| 12             | 6G8-13421-00-00 | STRAINER 2             | 1        |         |
| 13             | 6G8-15316-00-00 | DAMPER, ENGINE MOUNT 1 | 1        |         |
| 14             | 90105-06M33-00  | BOLT, FLANGE           | 9        |         |
| 15             | 6G8-13471-00-00 | PLUG, DRAIN            | 1        |         |
| 16             | 93210-16716-00  | .O-RING                | 1        |         |
| 17             | 6G8-15362-04-00 | PLUG, OIL LEVEL        | 1        |         |

T9.9ELRR 1993 / STEERING GUIDE ATTACHMENT



©2014 Yamaha Motor Corporation, U.S.A. All rights reserved.

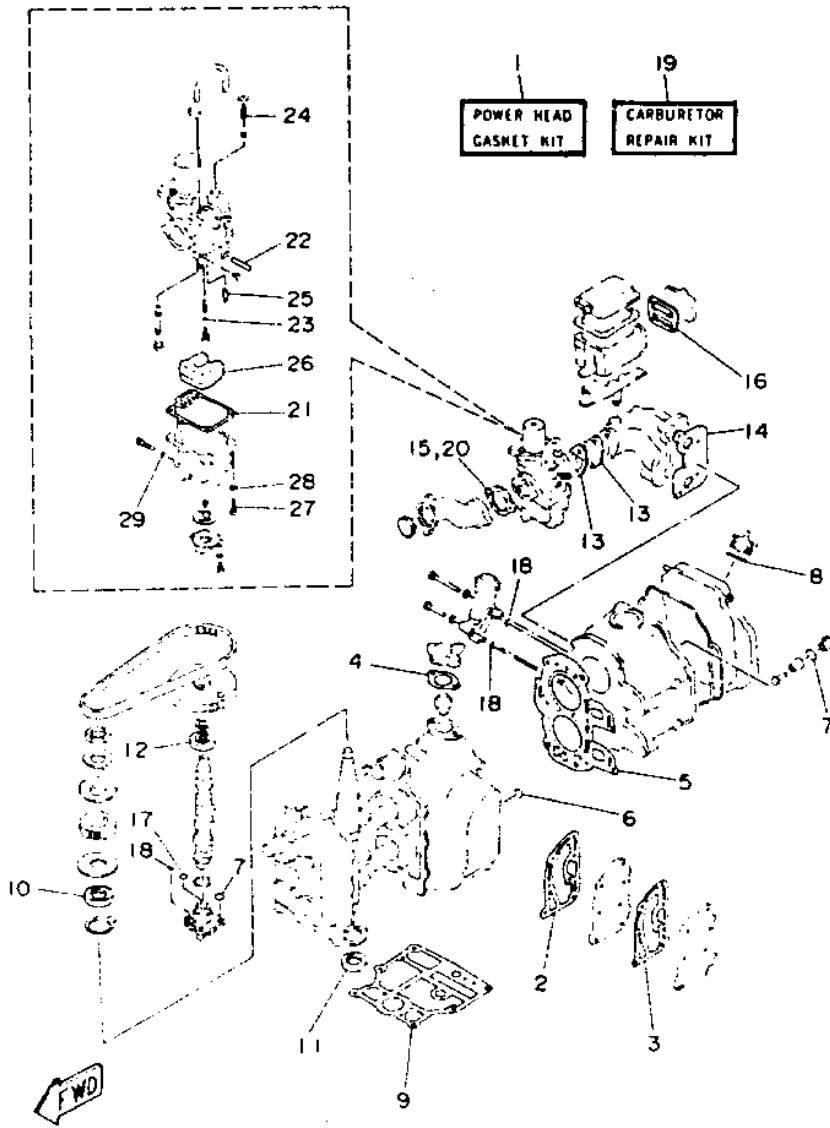
## Part List

T9.9ELRR 1993 / STEERING GUIDE ATTACHMENT

| REF<br>-<br>NO | PART<br>NUMBER  | PART NAME                        | QUANTITY | REMARKS |
|----------------|-----------------|----------------------------------|----------|---------|
| 1              | 6G8-61350-00-00 | STEERING GUIDE<br>ATTACHMENT KIT | 1        |         |
| 2              | 97395-08025-00  | .BOLT                            | 2        |         |
| 3              | 92990-08600-00  | .WASHER, PLATE                   | 2        |         |
| 4              | 95780-08300-00  | .NUT, FLANGE                     | 2        |         |
| 5              | 90201-10M04-00  | .WASHER, PLATE                   | 1        |         |
| 6              | 90387-10M06-00  | .COLLAR                          | 1        |         |
| 7              | 90201-10M63-00  | .WASHER, PLATE                   | 1        |         |
| 8              | 6E5-61355-00-00 | .BOLT                            | 1        |         |
| 9              | 90170-09M03-00  | .NUT                             | 1        |         |
| 10             | 90185-09M01-00  | .NUT, SELF-LOCKING               | 2        |         |
| 11             | 90201-10M20-00  | .WASHER, PLATE                   | 2        |         |
| 12             | 93210-16275-00  | .O-RING                          | 1        |         |
| 13             | 6E5-43145-00-00 | .CAP, CLAMP BRACKET              | 1        |         |



T9.9ELRR 1993 / REPAIR KIT 1



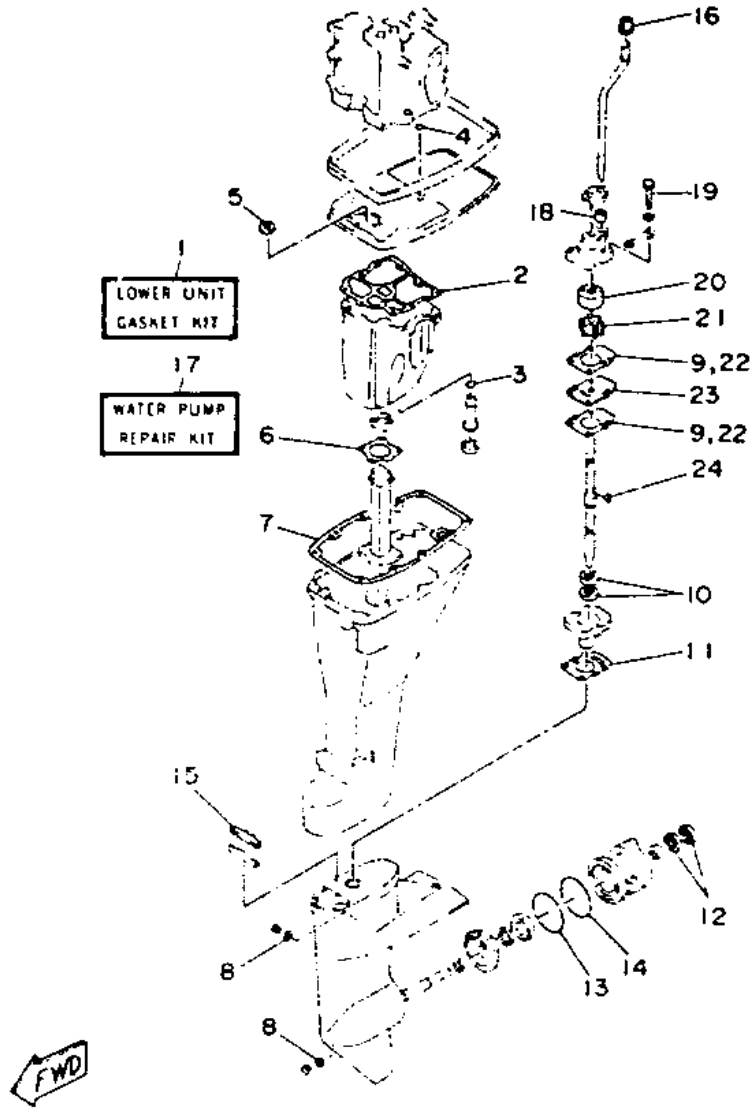
©2014 Yamaha Motor Corporation, U.S.A. All rights reserved.

## Part List

T9.9ELRR 1993 / REPAIR KIT 1

| REF<br>-<br>NO | PART<br>NUMBER  | PART NAME                       | QUANTITY | REMARKS |
|----------------|-----------------|---------------------------------|----------|---------|
| 1              | 6G8-W0001-03-00 | POWER HEAD GASKET KIT           | 1        |         |
| 2              | 6G8-41112-02-00 | .GASKET, EXHAUST INNER<br>COVER | 1        |         |
| 3              | 6G8-41114-00-00 | .GASKET, EXHAUST OUTER<br>COVER | 1        |         |
| 4              | 6G8-12414-A0-00 | .GASKET, COVER                  | 1        |         |
| 5              | 6G8-11181-A0-00 | .GASKET, CYLINDER HEAD 1        | 1        |         |
| 6              | 93210-11M59-00  | .O-RING                         | 1        |         |
| 7              | 93210-13M63-00  | .O-RING                         | 3        |         |
| 8              | 93210-25070-00  | .O-RING                         | 1        |         |
| 9              | 6G8-11351-A0-00 | .GASKET, CYLINDER               | 1        |         |
| 10             | 93102-30M22-00  | .OIL SEAL                       | 1        |         |
| 11             | 93101-25M24-00  | .OIL SEAL                       | 1        |         |
| 12             | 93102-18M21-00  | .OIL SEAL                       | 1        |         |
| 13             | 6G8-13646-A0-00 | .GASKET, MANIFOLD 2             | 2        |         |
| 14             | 6G8-13645-00-00 | .GASKET, MANIFOLD 1             | 1        |         |
| 15             | 6G8-14198-A0-00 | .GASKET                         | 1        |         |
| 16             | 6G8-15374-00-00 | .GASKET, BREATHER               | 1        |         |
| 17             | 93210-10M61-00  | .O-RING                         | 1        |         |
| 18             | 93210-09M01-00  | .O-RING                         | 3        |         |
| 19             | 6G8-W0093-01-00 | CARBURETOR REPAIR KIT           | 1        |         |
| 20             | 6G8-14198-A0-00 | .GASKET                         | 1        |         |
| 21             | 6G8-14384-01-00 | .GASKET, FLOAT CHAMBER          | 1        |         |
| 22             | 647-14386-10-00 | .PIN, FLOAT                     | 1        |         |
| 23             | 654-14198-00-00 | .GASKET                         | 1        |         |
| 24             | 6G8-14323-00-00 | .SCREW, AIR ADJUSTING           | 1        |         |
| 25             | 6G8-14392-00-00 | .VALVE, NEEDLE                  | 1        |         |
| 26             | 6G8-14385-00-00 | .FLOAT                          | 1        |         |
| 27             | 98503-04014-00  | .SCREW, PAN HEAD                | 1        |         |
| 28             | 92901-04100-00  | .WASHER, SPRING                 | 1        |         |
| 29             | 5Y1-14397-00-00 | .O-RING                         | 1        |         |

T9.9ELRR 1993 / REPAIR KIT 2



©2014 Yamaha Motor Corporation, U.S.A. All rights reserved.


## Part List

T9.9ELRR 1993 / REPAIR KIT 2

| REF - NO | PART NUMBER     | PART NAME                   | QUANTITY | REMARKS |
|----------|-----------------|-----------------------------|----------|---------|
| 1        | 6G8-W0001-24-00 | LOWER UNIT GASKET KIT       | 1        |         |
| 2        | 6G8-15312-A1-00 | .GASKET, OIL PAN            | 1        |         |
| 3        | 93210-16716-00  | .O-RING                     | 1        |         |
| 4        | 93210-08M60-00  | .O-RING                     | 1        |         |
| 5        | 93101-13M27-00  | .O-RING                     | 1        |         |
| 6        | 6G8-41133-A0-00 | .GASKET, EXHAUST MANIFOLD 1 | 1        |         |
| 7        | 6G8-45113-A0-00 | .GASKET, UPPER CASING       | 1        |         |
| 8        | 90430-08020-00  | .GASKET                     | 3        |         |
| 9        | 682-44315-A0-00 | .GASKET, WATER PUMP         | 2        |         |
| 10       | 93101-20048-00  | .OIL SEAL                   | 2        |         |
| 11       | 6G8-45315-A0-00 | .PACKING, LOWER CASING      | 1        |         |
| 12       | 93101-17054-00  | .OIL SEAL                   | 2        |         |
| 13       | 93210-74M68-00  | .O-RING                     | 1        |         |
| 14       | 93210-74316-00  | .O-RING                     | 1        |         |
| 15       | 682-45375-01-00 | .DAMPER, SEAL               | 1        |         |
| 16       | 626-44365-01-00 | .DAMPER, WATER SEAL         | 1        |         |
| 17       | 682-W0078-01-00 | WATER PUMP REPAIR KIT       | 1        |         |
| 18       | 682-44365-00-00 | .DAMPER, WATER SEAL         | 1        |         |
| 19       | 97395-06040-00  | .BOLT                       | 4        |         |
| 20       | 682-44322-00-00 | .INSERT, CARTRIDGE          | 1        |         |
| 21       | 682-44352-01-00 | .IMPELLER                   | 1        |         |
| 22       | 682-44315-A0-00 | .GASKET, WATER PUMP         | 2        |         |
| 23       | 682-44323-00-00 | .OUTER PLATE, CARTRIDGE     | 1        |         |
| 24       | 90280-03024-00  | .KEY, WOODRUFF              | 1        |         |

## Part Notes

T9.9ELRR 1993 / REPAIR KIT 2

| PART NUMBER  | NOTE TEXT  |
|--|--|
| 90430-08020-00  | OEM: This part number is among the Top 100 Most Popular Marine Maintenance Parts as of March 2014. |

©2014 Yamaha Motor Corporation, U.S.A. All rights reserved.

©2014 Yamaha Motor Corporation, U.S.A. All rights reserved.