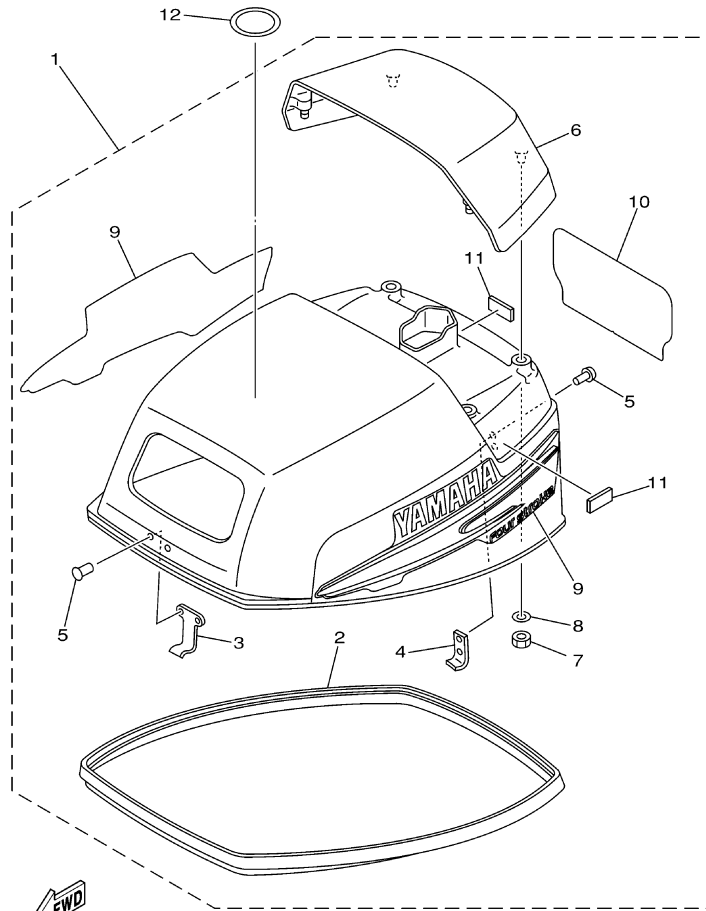


T9.9ELRB 2003 / TOP COWLING



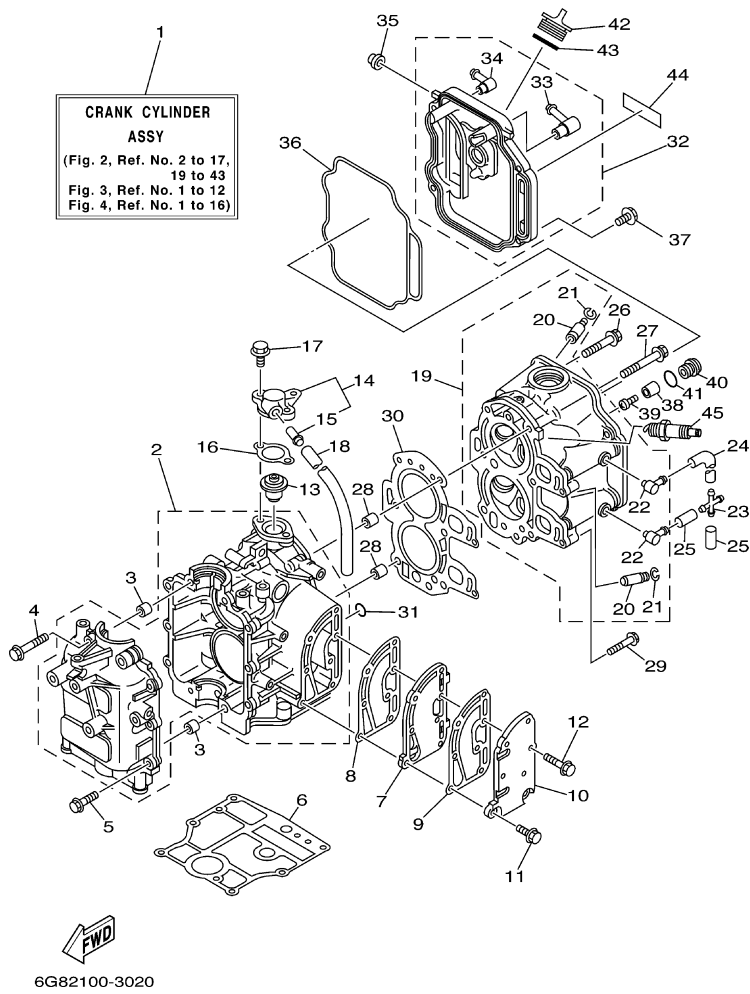

6G81100-2010

Part List

T9.9ELRB 2003 / TOP COWLING

| REF - NO | PART NUMBER | PART NAME | QUANTITY | REMARKS |
|----------------|-----------------|--------------------|----------|---------|
| 1 | 6G8-42610-60-4D | TOP COWLING ASSY | 1 | |
| 2 | 6G8-42615-01-00 | .SEAL | 1 | |
| 3 | 6G8-42651-00-00 | .HOOK | 1 | |
| 4 | 6G8-42652-00-00 | .HOOK | 1 | |
| 5 | 90266-04M04-00 | .RIVET | 4 | |
| 6 | 6G8-42613-01-4D | .MOLDING, AIR DUCT | 1 | |
| 7 | 95303-06700-00 | .NUT | 4 | |
| 8 | 92903-06200-00 | .WASHER, PLAIN | 4 | |
| 9 | 6G9-W0070-30-00 | .GRAPHIC SET | 1 | |
| 10 | 6G8-42678-60-00 | .GRAPHIC, REAR | 1 | |
| 11 | 6G8-42662-00-00 | .DAMPER | 3 | |
| 12 | 67F-13434-02-00 | LABEL, CAUTION | 1 | |

T9.9ELRB 2003 / CYLINDER CRANKCASE



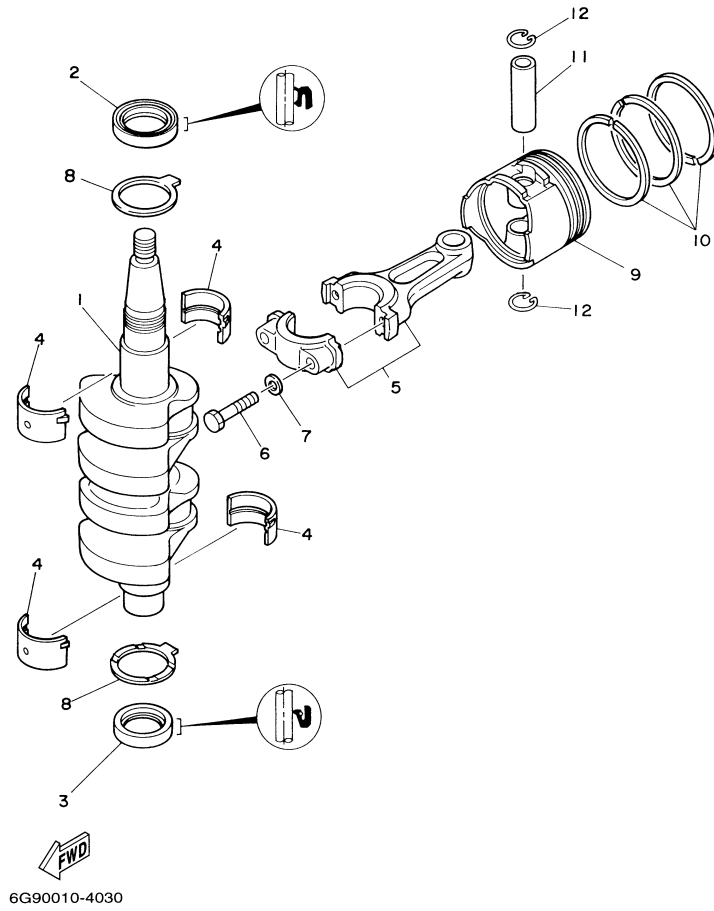
©2014 Yamaha Motor Corporation, U.S.A. All rights reserved.

Part List

T9.9ELRB 2003 / CYLINDER CRANKCASE

| REF - NO | PART NUMBER | PART NAME | QUANTITY | REMARKS |
|----------------|-----------------|--------------------------------|----------|---------|
| 1 | 6G8-W0090-34-1S | CRANK CYLINDER ASSY | 1 | |
| 2 | 6G8-15100-05-1S | CRANKCASE ASSY | 1 | |
| 3 | 99510-10114-00 | PIN, DOWEL | 2 | |
| 4 | 90119-08M18-00 | BOLT, WITH WASHER | 4 | |
| 5 | 90119-06M12-00 | BOLT, WITH WASHER | 6 | |
| 6 | 6G8-11351-A0-00 | GASKET, CYLINDER | 1 | |
| 7 | 6G8-41111-02-1S | INNER COVER, EXHAUST | 1 | |
| 8 | 6G8-41112-02-00 | GASKET, EXHAUST INNER COVER | 1 | |
| 9 | 6G8-41114-00-00 | GASKET, EXHAUST OUTER COVER | 1 | |
| 10 | 6G8-41113-10-1S | OUTER COVER, EXHAUST | 1 | |
| 11 | 90119-06MA3-00 | BOLT, WITH WASHER | 2 | |
| 12 | 90119-06MA4-00 | BOLT, WITH WASHER | 5 | |
| 13 | 6G8-12411-02-00 | THERMOSTAT | 1 | |
| 14 | 6G8-12413-00-1S | COVER, THERMOSTAT | 1 | |
| 15 | 6E5-24377-00-00 | .PIPE, JOINT 2 | 1 | |
| 16 | 6G8-12414-A0-00 | .GASKET, COVER | 1 | |
| 17 | 90119-06MA2-00 | BOLT, WITH WASHER | 2 | |
| 18 | 90445-11M66-00 | .HOSE (L410) | 1 | |
| 19 | 6G8-11111-03-1S | HEAD, CYLINDER 1 | 1 | |
| 20 | 6G8-11133-10-00 | .GUIDE, VALVE 1 | 4 | |
| 21 | 93450-09M01-00 | .CIRCLIP | 4 | |
| 22 | 676-11372-00-00 | .NIPPLE, HOSE | 2 | |
| 23 | 6G9-24379-00-00 | PIPE, JOINT 4 | 1 | |
| 24 | 6G8-12481-01-00 | PIPE 1 | 1 | |
| 25 | 90445-09220-00 | HOSE (L30) | 2 | |
| 26 | 90105-08M37-00 | BOLT, FLANGE | 3 | |
| 27 | 90105-08M36-00 | BOLT, FLANGE | 3 | |
| 28 | 99510-10114-00 | PIN, DOWEL | 2 | |
| 29 | 90119-06MA5-00 | BOLT, WITH WASHER | 2 | |
| 30 | 6G8-11181-A1-00 | GASKET, CYLINDER HEAD 1 | 1 | |
| 31 | 93210-11M59-00 | O-RING | 1 | |
| 32 | 6G8-11191-01-1S | COVER, CYLINDER HEAD 1 | 1 | |
| 33 | 6G8-15373-01-00 | .PIPE, BREATHER | 1 | |
| 34 | 676-11372-00-00 | .NIPPLE, HOSE | 1 | |
| 35 | 6G8-81336-00-00 | GROMMET | 2 | |
| 36 | 6G8-11356-00-00 | SEAL, CYLINDER 2 | 1 | |
| 37 | 90119-06MA2-00 | BOLT, WITH WASHER | 4 | |
| 38 | 6G8-11325-00-00 | ANODE | 1 | |
| 39 | 97880-05025-00 | SCREW, PAN HEAD | 1 | |
| 40 | 6G8-11197-01-00 | PLUG, BLIND | 1 | |
| 41 | 93210-13M63-00 | .O-RING | 1 | |
| 42 | 6G8-15363-00-00 | PLUG, OIL | 1 | |
| 43 | 93210-24M79-00 | .O-RING | 1 | |
| 44 | 6G9-12138-40-00 | MARK, CAUTION | 1 | |
| 45 | NGK-CR6HS-00-00 | PLUG SPARK (NGK CR6HS) | 2 | |

T9.9ELRB 2003 / CRANKSHAFT PISTON

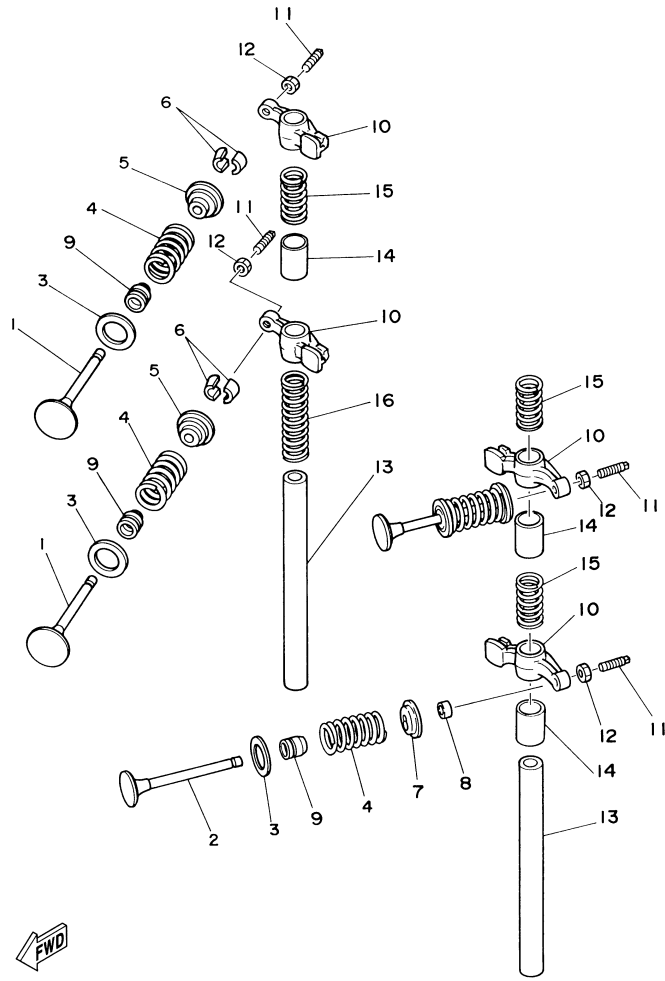


Part List

T9.9ELRB 2003 / CRANKSHAFT PISTON

| REF - NO | PART NUMBER | PART NAME | QUANTITY | REMARKS |
|----------------|-----------------|---------------------------------|----------|----------|
| 1 | 6G8-11411-04-00 | CRANKSHAFT | 1 | |
| 2 | 93102-30M22-00 | .OIL SEAL | 1 | |
| 3 | 93101-25M24-00 | OIL SEAL | 1 | |
| 4 | 6G8-11416-00-00 | PLANE BEARING, CRANKSHAFT 1 | 4 | UR BROWN |
| 4 | 6G8-11416-20-00 | PLANE BEARING, CRANKSHAFT 1 | 4 | UR BLUE |
| 4 | 6G8-11416-10-00 | PLANE BEARING, CRANKSHAFT 1 | 4 | UR BLACK |
| 5 | 6G8-11650-03-00 | CONNECTING ROD ASSY | 2 | |
| 6 | 6G8-11654-00-00 | BOLT, CONNECTING ROD | 4 | |
| 7 | 90201-06M00-00 | WASHER, PLATE | 4 | |
| 8 | 6G8-11426-00-00 | PLANE BEARING, CRANKSHAFT 1 | 2 | |
| 9 | 6G8-11631-03-96 | PISTON (STD) | 2 | |
| 9 | 6G8-11635-03-00 | PISTON (0.25MM O/S) | 2 | AP |
| 9 | 6G8-11636-03-00 | PISTON (0.50MM O/S) | 2 | AP |
| 10 | 6G8-11610-22-00 | PISTON RING SET (0.50MM O/S) | 2 | AP |
| 10 | 6G8-11610-12-00 | PISTON RING SET (0.25MM O/S) | 2 | AP |
| 10 | 6G8-11610-02-00 | PISTON RING SET (STD) | 2 | |
| 11 | 634-11633-00-00 | PIN, PISTON | 2 | |
| 12 | 93450-15023-00 | CIRCLIP | 4 | |

T9.9ELRB 2003 / VALVE



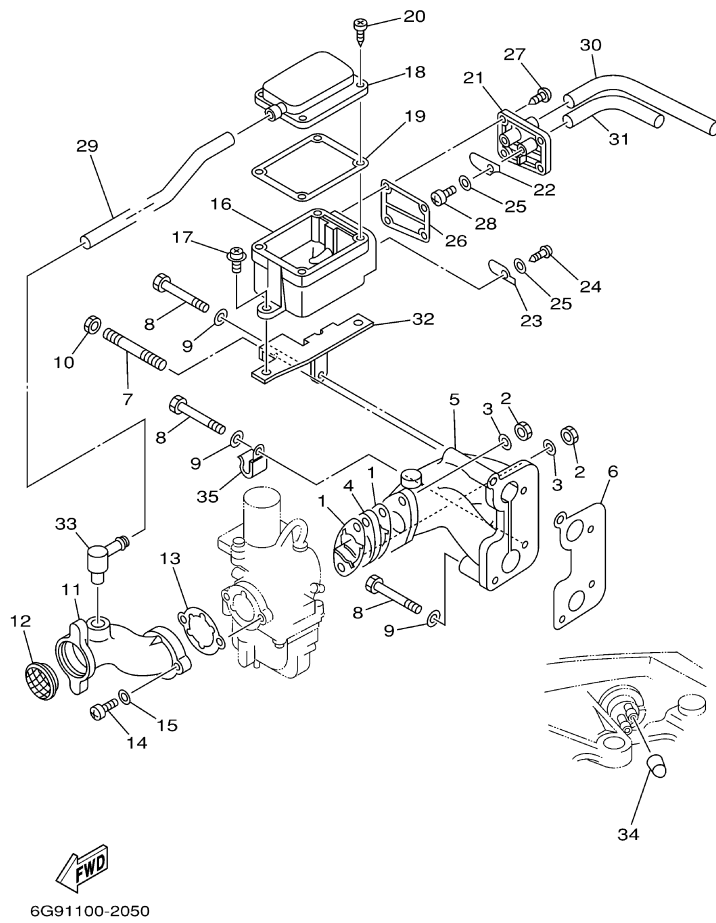

6G90010-4040

Part List

T9.9ELRB 2003 / VALVE

| REF - NO | PART NUMBER | PART NAME | QUANTITY | REMARKS |
|----------------|-----------------|--------------------------------|----------|---------|
| 1 | 6G8-12111-00-00 | VALVE, INTAKE | 2 | |
| 2 | 6G8-12121-01-00 | VALVE, EXHAUST | 2 | |
| 3 | 6G8-12116-00-00 | SEAT, VALVE SPRING | 4 | |
| 4 | 6G8-12113-00-00 | SPRING, VALVE INNER | 4 | |
| 5 | 6G8-12117-00-00 | RETAINER, VALVE SPRING | 2 | |
| 6 | 30X-12118-00-00 | LOCK, VALVE SPRING RETAINER | 4 | |
| 7 | 6G8-12117-10-00 | RETAINER, VALVE SPRING | 2 | |
| 8 | 6G8-12153-00-00 | LIFTER, VALVE | 2 | |
| 9 | 51Y-12119-00-00 | SEAL, VALVE STEM | 4 | |
| 10 | 6G8-12151-00-00 | ARM, VALVE ROCKER | 4 | |
| 11 | 6G8-12159-00-00 | SCREW, VALVE ADJUSTING | 4 | |
| 12 | 6G8-12158-00-00 | NUT, LOCK | 4 | |
| 13 | 6G8-12146-00-00 | SHAFT, ROCKER | 2 | |
| 14 | 90387-13M56-00 | COLLAR | 3 | |
| 15 | 90501-12M40-00 | SPRING, COMPRESSION | 3 | |
| 16 | 90501-12M41-00 | SPRING, COMPRESSION | 1 | |

T9.9ELRB 2003 / INTAKE




Part List

T9.9ELRB 2003 / INTAKE

| REF - NO | PART NUMBER | PART NAME | QUANTITY | REMARKS |
|----------------|-----------------|--------------------------|----------|---------|
| 1 | 6G8-13646-A0-00 | GASKET, MANIFOLD 2 | 2 | |
| 2 | 95380-06700-00 | NUT | 2 | |
| 3 | 92990-06600-00 | WASHER, PLATE | 2 | |
| 4 | 6G8-13647-00-00 | GASKET, MANIFOLD 3 | 1 | |
| 5 | 6G8-13641-01-94 | MANIFOLD 1 | 1 | |
| 6 | 6G8-13645-00-00 | GASKET, MANIFOLD 1 | 1 | |
| 7 | 90116-06M15-00 | BOLT, STUD | 1 | |
| 8 | 97095-06045-00 | .BOLT | 3 | |
| 9 | 92995-06600-00 | WASHER | 3 | |
| 10 | 95380-06700-00 | NUT | 1 | |
| 11 | 6G8-14479-10-94 | FUNNEL | 1 | |
| 12 | 6G8-14478-00-00 | LOUVER | 1 | |
| 13 | 6G8-14198-A0-00 | .GASKET | 1 | |
| 14 | 97880-05016-00 | SCREW, PAN HEAD | 2 | |
| 15 | 92990-05600-00 | WASHER, PLATE | 2 | |
| 16 | 6G8-15358-00-00 | SEPARATOR, OIL | 1 | |
| 17 | 90159-06M05-00 | SCREW, WITH WASHER | 2 | |
| 18 | 6G8-15368-00-94 | SEPERATOR, OIL | 1 | |
| 19 | 6G8-15369-00-00 | GASKET, OIL SEAL HOUSING | 1 | |
| 20 | 97780-40512-00 | SCREW, TAPPING | 4 | |
| 21 | 6G8-15371-00-94 | BREATHER | 1 | |
| 22 | 6G8-15346-00-00 | BREATHER 1 | 1 | |
| 23 | 6G8-15347-00-00 | BREATHER 2 | 1 | |
| 24 | 97780-40512-00 | SCREW, TAPPING | 1 | |
| 25 | 92990-04200-00 | WASHER | 2 | |
| 26 | 6G8-15374-00-00 | GASKET, BREATHER | 1 | |
| 27 | 97780-40512-00 | SCREW, TAPPING | 4 | |
| 28 | 98507-04010-00 | SCREW, PAN HEAD | 1 | |
| 29 | 6G8-15393-10-00 | PIPE, BREATHER 2 | 1 | |
| 30 | 90445-11M52-00 | HOSE (L150) | 1 | |
| 31 | 90445-09065-00 | HOSE (L90) | 1 | |
| 32 | 6G8-15376-00-00 | HOLDER, GUIDE | 1 | |
| 33 | 6G8-15373-01-00 | PIPE, BREATHER | 1 | |
| 34 | 6G8-13448-00-00 | CAP | 1 | |
| 35 | 90465-06M86-00 | .CLAMP | 1 | |

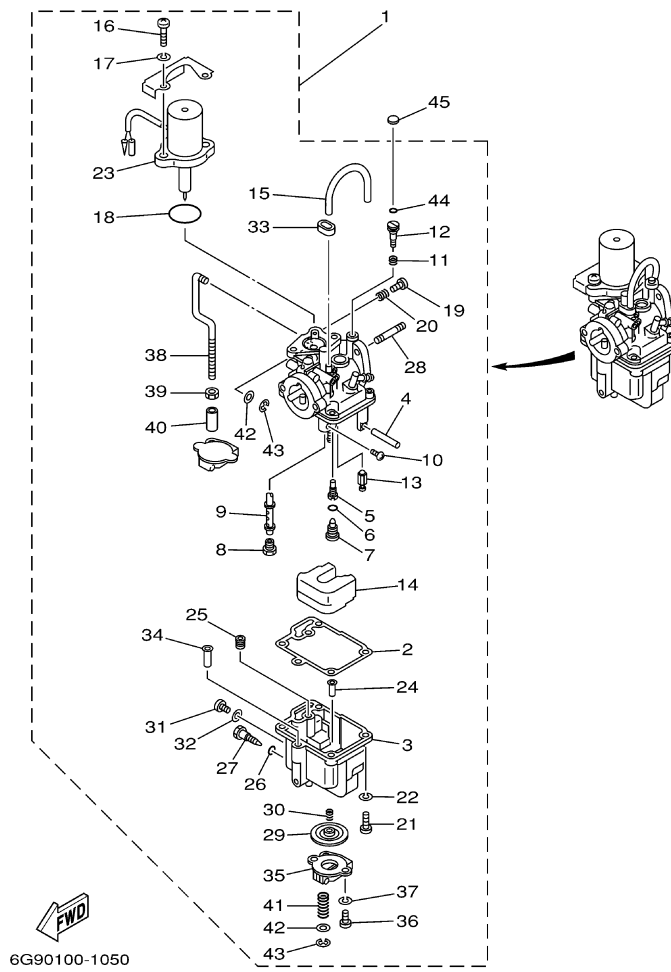
Part Notes

T9.9ELRB 2003 / INTAKE

| PART NUMBER | NOTE TEXT |
|--|--|
| 92990-06600-00  | OEM: This part number is among the Top 100 Most Popular Marine Maintenance Parts as of March 2014. |

©2014 Yamaha Motor Corporation, U.S.A. All rights reserved.

T9.9ELRB 2003 / CARBURETOR



Part List

T9.9ELRB 2003 / CARBURETOR

| REF - NO | PART NUMBER | PART NAME | QUANTITY | REMARKS |
|----------------|-----------------|--------------------------|----------|---------|
| 1 | 6G8-14301-21-00 | CARBURETOR ASSY 1 | 1 | |
| 2 | 6G8-14384-01-00 | .GASKET, FLOAT CHAMBER | 1 | |
| 3 | 6G8-14381-02-00 | .BODY, FLOAT CHAMBER | 1 | |
| 4 | 647-14386-00-00 | .PIN, FLOAT | 1 | |
| 5 | 6G8-14342-24-00 | .JET, PILOT (#48) | 1 | |
| 6 | 654-14198-00-00 | .GASKET | 1 | |
| 7 | 6G8-14345-00-00 | .PLUG, MAIN NOZZLE | 1 | |
| 8 | 648-14343-43-00 | .JET, MAIN (#86) | 1 | |
| 9 | 6G8-14341-20-00 | .NOZZLE, MAIN | 1 | |
| 10 | 6G8-14216-00-00 | .SCREW | 1 | |
| 11 | 647-14334-00-00 | .SPRING | 1 | |
| 12 | 6G8-14323-20-00 | .SCREW, AIR ADJUSTING | 1 | |
| 13 | 6G8-14392-00-00 | .VALVE, NEEDLE | 1 | |
| 14 | 6G8-14385-00-00 | .FLOAT | 1 | |
| 15 | 6G8-14197-01-00 | .PIPE | 1 | |
| 16 | 97880-06018-00 | .SCREW, PAN HEAD | 2 | |
| 17 | 92990-06100-00 | .WASHER, SPRING | 2 | |
| 18 | 1HV-14147-00-00 | .O-RING | 1 | |
| 19 | 664-14321-01-00 | .SCREW, THROTTLE | 1 | |
| 20 | 646-14212-00-00 | .SPRING, PILOT ADJUSTING | 1 | |
| 21 | 98580-04016-00 | .SCREW, PAN HEAD | 4 | |
| 22 | 92990-04100-00 | .WASHER, SPRING | 4 | |
| 23 | 6G8-1410A-01-00 | .STARTER SET | 1 | |
| 24 | 6G8-14827-00-00 | .FILTER | 1 | |
| 25 | 6A4-14344-30-00 | .JET, STARTER (#60) | 1 | |
| 26 | 5Y1-14397-00-00 | .O-RING | 1 | |
| 27 | 6G8-14383-00-00 | .SCREW, DRAIN | 1 | |
| 28 | 90116-06M26-00 | .BOLT, STUD | 2 | |
| 29 | 6G8-14368-02-00 | .DIAPHRAGM ASSEMBLY | 1 | |
| 30 | 6G8-14275-01-00 | .SPRING | 1 | |
| 31 | 97890-05006-00 | .SCREW, PAN HEAD | 1 | |
| 32 | 646-14198-01-00 | .GASKET | 1 | |
| 33 | 6G8-14349-00-00 | .PIPE | 1 | |
| 34 | 6G8-14217-00-00 | .VALVE, CHOKE | 1 | |
| 35 | 6G8-14293-03-00 | .COVER 1 | 1 | |
| 36 | 98580-04010-00 | .SCREW, PAN HEAD | 2 | |
| 37 | 92990-04100-00 | .WASHER, SPRING | 2 | |
| 38 | 6G8-14379-00-00 | .ROD, STARTER | 1 | |
| 39 | 98813-03100-00 | .NUT | 1 | |
| 40 | 6G8-14229-00-00 | .SHAFT, CHOKE | 1 | |
| 41 | 6G8-14286-01-00 | .SPRING | 1 | |
| 42 | 6G8-14357-00-00 | .WASHER, PLAIN | 2 | |
| 43 | 389-14137-00-00 | .CLIP | 2 | |
| 44 | 5H0-14397-00-00 | .O-RING | 1 | |
| 45 | 6G8-1432A-10-00 | PLUG | 1 | |

Part List

T9.9ELRB 2003 / OIL PUMP

| REF - NO | PART NUMBER | PART NAME | QUANTITY | REMARKS |
|----------------|-----------------|--------------------------|----------|---------|
| 1 | 6G8-46241-00-00 | V-BELT | 1 | |
| 2 | 6G8-11536-00-94 | GEAR, DRIVE | 1 | |
| 3 | 6G8-11557-00-00 | WASHER 1 | 2 | |
| 4 | 90170-24M09-00 | NUT | 1 | |
| 5 | 6G8-11587-01-00 | WASHER, LOCK | 1 | |
| 6 | 6G8-11537-00-94 | GEAR, DRIVEN | 1 | |
| 7 | 90280-03M01-00 | .KEY, WOODRUFF | 2 | |
| 8 | 90201-13201-00 | WASHER, PLATE | 1 | |
| 9 | 97013-06016-00 | BOLT | 1 | |
| 10 | 90201-06M94-00 | WASHER, PLATE | 1 | |
| 11 | 6G8-12171-00-00 | CAMSHAFT 1 | 1 | |
| 12 | 93102-18M21-00 | .OIL SEAL | 1 | |
| 13 | 6G8-13300-02-00 | OIL PUMP ASSY | 1 | |
| 14 | 93210-27ME3-00 | .O-RING | 1 | |
| 15 | 93210-10M61-00 | .O-RING | 1 | |
| 16 | 93210-09M01-00 | .O-RING | 1 | |
| 17 | 93210-13M63-00 | .O-RING | 2 | |
| 18 | 97095-06025-00 | BOLT | 3 | |
| 19 | 92995-06600-00 | WASHER | 3 | |
| 20 | 6G8-13442-00-1S | HOUSING, OIL FILTER | 1 | |
| 21 | 6G8-13440-00-00 | ELEMENT ASSY,OIL CLEANER | 1 | |
| 22 | 93210-09M01-00 | .O-RING | 2 | |
| 23 | 97013-06050-00 | BOLT | 1 | |
| 24 | 92903-06600-00 | WASHER, PLATE | 1 | |
| 25 | 97013-06030-00 | BOLT | 1 | |
| 26 | 92903-06600-00 | WASHER, PLATE | 1 | |



Part List

T9.9ELRB 2003 / FUEL 1

| REF - NO | PART NUMBER | PART NAME | QUANTITY | REMARKS |
|----------------|-----------------|---------------------------------|----------|---------|
| 1 | 6G1-24304-02-00 | FUEL PIPE JOINT COMP. 1 | 1 | |
| 2 | 6G8-24329-00-00 | SEAL | 1 | |
| 3 | 97095-06020-00 | BOLT | 1 | |
| 4 | 92995-06600-00 | WASHER | 1 | |
| 5 | 6G8-24311-00-00 | PIPE, FUEL 1 | 1 | |
| 6 | 646-24251-02-00 | .STRAINER 1 | 1 | |
| 7 | 90445-09065-00 | HOSE (L90) | 1 | |
| 8 | 90467-08004-00 | CLIP | 4 | |
| 9 | 6G8-24410-05-00 | FUEL PUMP ASSY | 1 | |
| 10 | 6G8-24421-10-00 | .VALVE, CHECK | 1 | |
| 11 | 6G8-24411-02-00 | .DIAPHRAGM | 1 | |
| 12 | 98780-03008-00 | .SCREW, FLAT HEAD | 2 | |
| 13 | 97603-04218-00 | .SCREW, PAN HEAD WITH WASHER | 4 | |
| 14 | 6G8-24471-00-00 | .DIAPHRAGM | 1 | |
| 15 | 97880-06025-00 | SCREW, PAN HEAD | 2 | |
| 16 | 92990-06100-00 | ..WASHER, SPRING | 2 | |
| 17 | 92990-06600-00 | WASHER, PLATE | 2 | |
| 18 | 93210-20M65-00 | .O-RING | 1 | |
| 19 | 90445-09105-00 | HOSE (L300) | 1 | |
| 20 | 90467-08004-00 | CLIP | 2 | |
| 21 | 6J8-24311-00-00 | PIPE, FUEL 1 | 1 | |
| 22 | 90464-09M21-00 | CLAMP | 1 | |

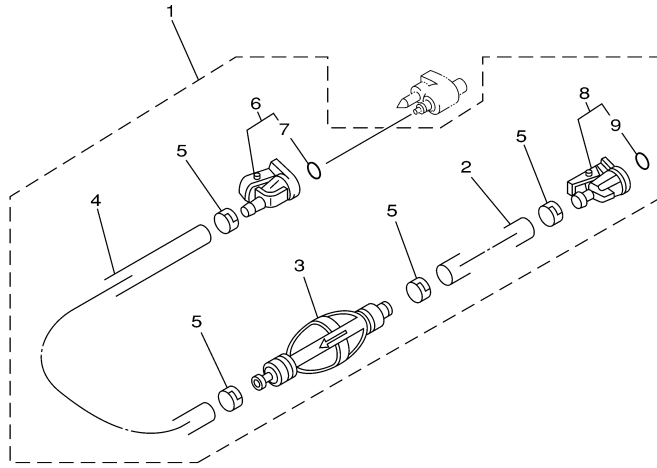
Part Notes

T9.9ELRB 2003 / FUEL 1

| PART NUMBER | NOTE TEXT |
|---|--|
| 646-24251-02-00  | OEM: This part number is among the Top 100 Most Popular Marine Maintenance Parts as of March 2014. |
| 92990-06600-00  | OEM: This part number is among the Top 100 Most Popular Marine Maintenance Parts as of March 2014. |

©2014 Yamaha Motor Corporation, U.S.A. All rights reserved.

T9.9ELRB 2003 / FUEL 2



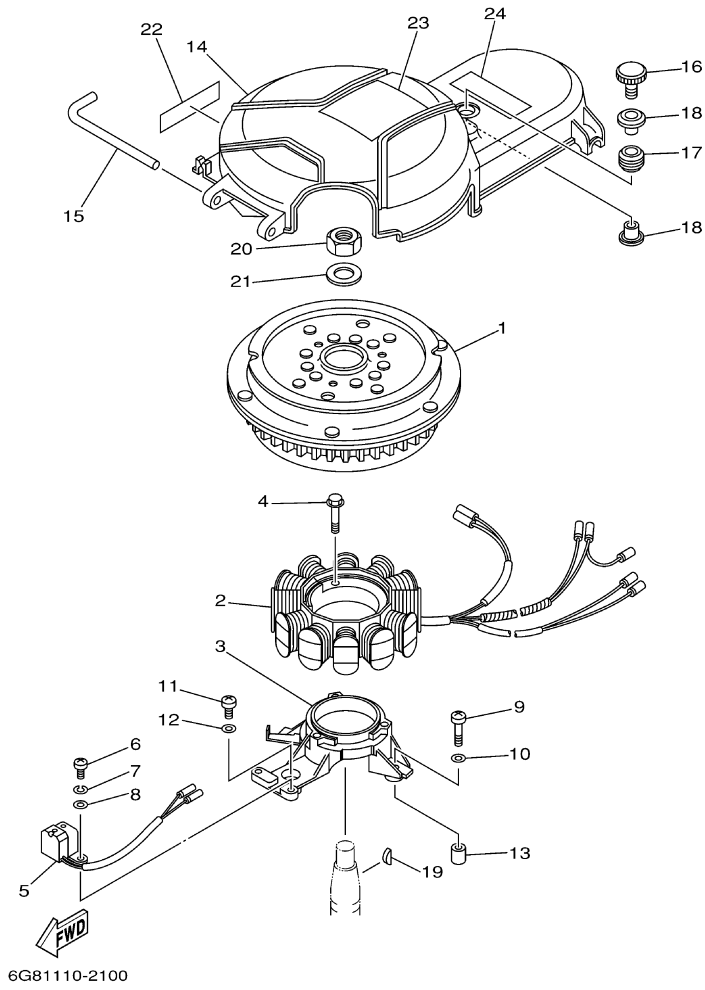
6960100-0050

Part List

T9.9ELRB 2003 / FUEL 2

| REF - NO | PART NUMBER | PART NAME | QUANTITY | REMARKS |
|----------------|-----------------|-------------------------|----------|---------|
| 1 | 6Y1-24306-53-00 | FUEL PIPE COMP. 1 | 1 | AP |
| 2 | 90445-11M06-00 | .HOSE (L2050) | 1 | |
| 3 | 6Y1-24360-52-00 | .PRIMER PUMP ASSY | 1 | |
| 4 | 90445-11M05-00 | .HOSE (L850) | 1 | |
| 5 | 650-24351-51-00 | .BAND 1 | 4 | |
| 6 | 6G1-24305-03-00 | .FUEL PIPE JOINT COMP 2 | 1 | |
| 7 | 93210-08287-00 | ..O-RING | 1 | |
| 8 | 6Y1-24305-04-00 | .FUEL PIPE JOINT COMP 2 | 1 | |
| 9 | 93210-08287-00 | ..O-RING | 1 | |

T9.9ELRB 2003 / GENERATOR



©2014 Yamaha Motor Corporation, U.S.A. All rights reserved.



Part List

T9.9ELRB 2003 / GENERATOR

| REF - NO | PART NUMBER | PART NAME | QUANTITY | REMARKS |
|----------|-----------------|--------------------|----------|---------|
| 1 | 6G8-85550-01-00 | ROTOR ASSY | 1 | |
| 2 | 6G8-85510-01-00 | STATOR ASSY | 1 | |
| 3 | 6G8-85561-00-94 | BASE, MAGNETO | 1 | |
| 4 | 95023-06025-00 | BOLT | 3 | |
| 5 | 6G8-85580-02-00 | COIL, PULSER | 1 | |
| 6 | 97880-05012-00 | SCREW, PAN HEAD | 2 | |
| 7 | 92990-05100-00 | .WASHER, SPRING | 2 | |
| 8 | 92990-05600-00 | WASHER, PLATE | 2 | |
| 9 | 97880-06025-00 | SCREW, PAN HEAD | 2 | |
| 10 | 92990-06600-00 | WASHER, PLATE | 2 | |
| 11 | 97880-06020-00 | SCREW, PAN HEAD | 1 | |
| 12 | 92990-06600-00 | WASHER, PLATE | 1 | |
| 13 | 99530-08012-00 | PIN, DOWEL | 2 | |
| 14 | 6G8-81337-01-00 | COVER, FLYWHEEL | 1 | |
| 15 | 6G8-42752-00-00 | SHAFT | 1 | |
| 16 | 6G8-81323-00-00 | SCREW 1 | 1 | |
| 17 | 90480-15M31-00 | GROMMET | 1 | |
| 18 | 90387-06M71-00 | COLLAR | 2 | |
| 19 | 90280-05013-00 | KEY, WOODRUFF | 1 | |
| 20 | 90170-12066-00 | NUT | 1 | |
| 21 | 90201-12472-00 | WASHER, PLATE | 1 | |
| 22 | 6G8-13437-44-00 | MARK, CAUTION | 1 | |
| 23 | 6G8-14427-41-00 | LABEL, INSTRUCTION | 1 | |
| 24 | 6A1-83625-41-00 | MARK 5 | 1 | |

Part Notes

T9.9ELRB 2003 / GENERATOR

| PART NUMBER | | NOTE TEXT |
|----------------|---|--|
| 92990-06600-00 |  | OEM: This part number is among the Top 100 Most Popular Marine Maintenance Parts as of March 2014. |
| 92990-06600-00 |  | OEM: This part number is among the Top 100 Most Popular Marine Maintenance Parts as of March 2014. |

©2014 Yamaha Motor Corporation, U.S.A. All rights reserved.



Part List

T9.9ELRB 2003 / ELECTRICAL 1

| REF - NO | PART NUMBER | PART NAME | QUANTITY | REMARKS |
|----------|-----------------|----------------------------|----------|---------|
| 1 | 6G8-85540-23-00 | C.D.I. UNIT ASSY | 1 | |
| 2 | 97095-06020-00 | BOLT | 2 | |
| 3 | 92995-06600-00 | WASHER | 2 | |
| 4 | 6G8-85570-21-00 | IGNITION COIL ASSY | 1 | |
| 5 | 90480-25161-00 | GROMMET | 2 | |
| 6 | 97095-06025-00 | BOLT | 2 | |
| 7 | 92995-06600-00 | WASHER | 2 | |
| 8 | 6G8-82370-30-00 | PLUG CAP ASSY | 2 | |
| 9 | 6G8-85542-00-00 | BRACKET | 1 | |
| 10 | 97095-06020-00 | BOLT | 2 | |
| 11 | 92995-06600-00 | WASHER | 2 | |
| 12 | 6G8-85525-00-00 | PLATE | 1 | |
| 13 | 6G8-81916-00-00 | COVER, TERMINAL | 1 | |
| 14 | 98980-06008-00 | SCREW, BIND | 1 | |
| 15 | 6G8-82522-00-00 | CLAMP, COUPLER | 1 | |
| 16 | 6G8-82504-00-00 | OIL PRESSURE SWITCH ASSY | 1 | |
| 17 | 6G8-82127-00-00 | WIRE, LEAD 2 | 1 | |
| 18 | 6G8-83582-01-00 | PILOT LIGHT ASSY | 1 | EH |
| 19 | 6G8-82550-10-00 | ENGINE STOP SWITCH ASSY | 1 | EH |
| 20 | 90446-10M02-00 | HOSE | 1 | |
| 21 | 6G8-81960-00-00 | RECTIFIER & REGULATOR ASSY | 1 | |
| 22 | 97095-06025-00 | BOLT | 2 | |
| 23 | 92995-06600-00 | WASHER | 2 | |
| 24 | 90387-06M70-00 | COLLAR | 2 | |
| 25 | 90480-13M24-00 | GROMMET | 2 | |
| 26 | 95380-06700-00 | NUT | 2 | |
| 27 | 92990-06600-00 | WASHER, PLATE | 2 | |
| 28 | 6G8-81948-02-00 | BRACKET | 1 | |
| 29 | 97095-06020-00 | BOLT | 1 | |
| 30 | 92995-06100-00 | WASHER, SPRING | 1 | |
| 31 | 92995-06600-00 | WASHER | 1 | |
| 32 | 90465-06M86-00 | .CLAMP | 1 | |
| 33 | 97013-06012-00 | BOLT | 1 | |
| 34 | 92903-06600-00 | WASHER, PLATE | 1 | |
| 35 | 90465-13M11-00 | CLAMP | 1 | |
| 36 | 6G8-82575-00-00 | ENGINE STOP SWITCH ASSY | 1 | EH |
| 37 | 682-82556-00-00 | .LANYARD, STOP SWITCH | 1 | |

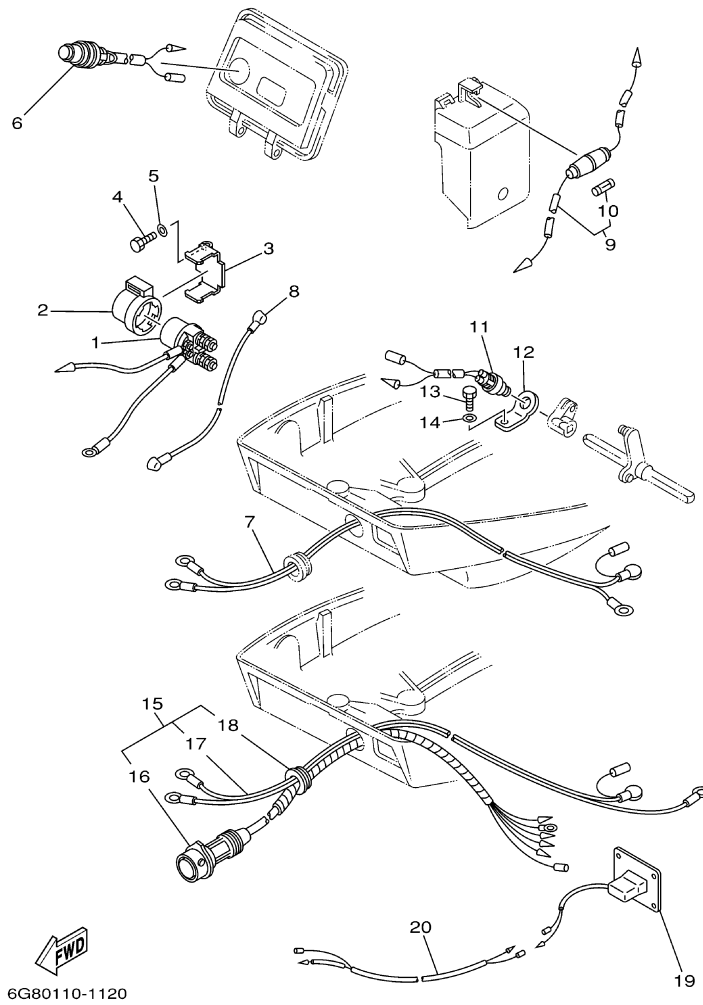
Part Notes

T9.9ELRB 2003 / ELECTRICAL 1

| PART NUMBER | | NOTE TEXT |
|-----------------|---|--|
| 92990-06600-00 |  | OEM: This part number is among the Top 100 Most Popular Marine Maintenance Parts as of March 2014. |
| 682-82556-00-00 |  | OEM: This part number is among the Top 100 Most Popular Marine Maintenance Parts as of March 2014. |

©2014 Yamaha Motor Corporation, U.S.A. All rights reserved.

T9.9ELRB 2003 / ELECTRICAL 2

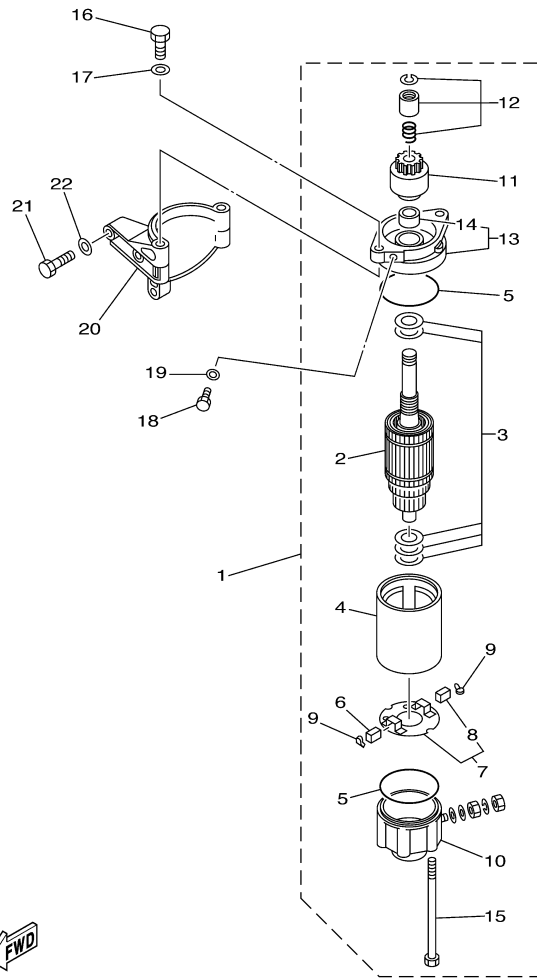


Part List

T9.9ELRB 2003 / ELECTRICAL 2

| REF - NO | PART NUMBER | PART NAME | QUANTITY | REMARKS |
|----------------|-----------------|----------------------|----------|---------|
| 1 | 6J0-81941-10-00 | STARTER RELY ASSY | 1 | |
| 2 | 6G1-81952-00-00 | HOLDER, RELAY | 1 | |
| 3 | 6G8-81953-00-00 | STAY, RELAY | 1 | |
| 4 | 97095-06012-00 | BOLT | 1 | |
| 5 | 92995-06600-00 | WASHER | 1 | |
| 6 | 6G8-81870-00-00 | STARTING SWITCH ASSY | 1 | EH |
| 7 | 6G8-82105-01-00 | BATTERY CABLE | 1 | EH |
| 8 | 6G8-82117-00-00 | WIRE, LEAD | 1 | |
| 9 | 6G8-82150-00-00 | FUSE HOLDER ASSY | 1 | |
| 10 | 663-82151-00-00 | .FUSE (12V-20A) | 1 | |
| 11 | 6H3-82540-00-00 | NEUTRAL SWITCH ASSY | 1 | EH |
| 12 | 6G8-82554-00-00 | STAY, NEUTRAL SWITCH | 1 | EH |
| 13 | 97095-06012-00 | BOLT | 1 | EH |
| 14 | 92995-06600-00 | WASHER | 1 | EH |
| 15 | 6G8-82580-00-00 | WIRE HARNESS ASSY 2 | 1 | ER |
| 16 | 6G8-82590-00-00 | .WIRE HARNESS ASSY | 1 | |
| 17 | 6G8-82105-01-00 | .BATTERY CABLE | 1 | |
| 18 | 6G8-42724-50-00 | .GROMMET | 1 | |
| 19 | 6G8-83530-00-00 | PILOT LIGHT ASSY | 1 | ER |
| 20 | 6G8-82541-00-00 | WIRE, LEAD | 1 | ER |

T9.9ELRB 2003 / STARTING MOTOR



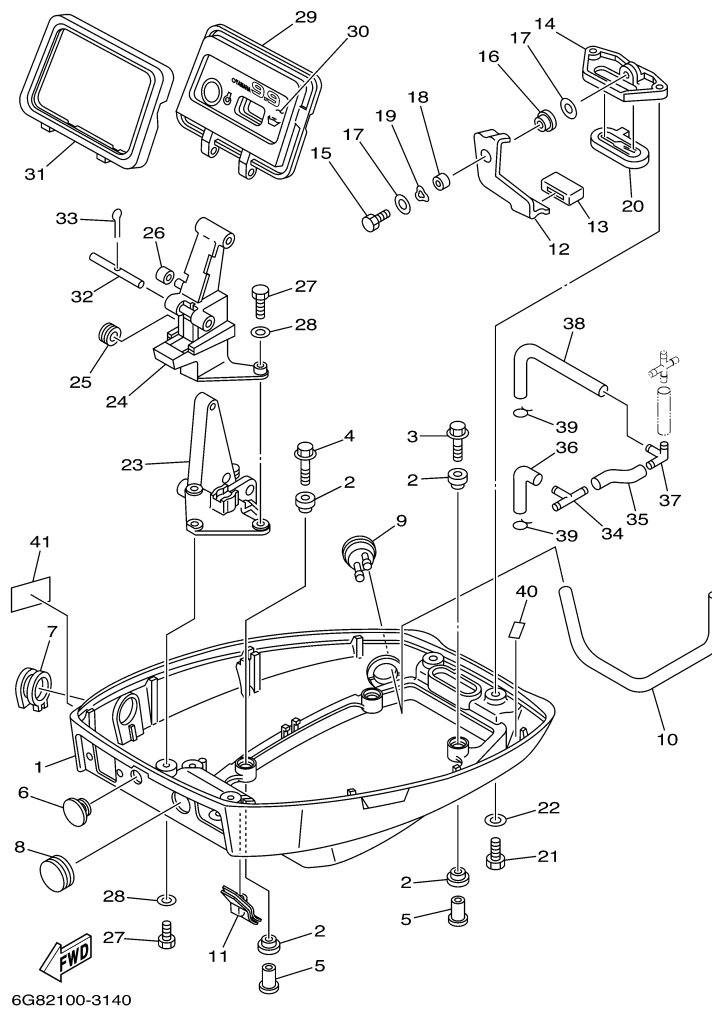

6G80100-8140

Part List

T9.9ELRB 2003 / STARTING MOTOR

| REF - NO | PART NUMBER | PART NAME | QUANTITY | REMARKS |
|----------------|-----------------|-------------------------------|----------|---------|
| 1 | 6G8-81800-11-00 | STARTING MOTOR ASSY | 1 | |
| 2 | 689-81850-12-00 | .ARMATURE ASSY | 1 | |
| 3 | 689-81809-11-00 | .WASHER KIT | 1 | |
| 4 | 689-81810-11-00 | .STATOR ASSY | 1 | |
| 5 | 689-81847-11-00 | .O-RING | 2 | |
| 6 | 689-81811-11-00 | .BRUSH 1 | 1 | |
| 7 | 689-81840-11-00 | .BRUSH HOLDER ASSY | 1 | |
| 8 | 689-81812-11-00 | ..BRUSH 2 | 1 | |
| 9 | 689-81813-10-00 | .SPRING, BRUSH | 2 | |
| 10 | 689-81820-11-00 | .REAR BRACKET ASSY | 1 | |
| 11 | 689-81807-12-00 | .GEAR ASSY, STARTING MOTOR | 1 | |
| 12 | 689-81857-11-00 | .PINION STOPPER SET | 1 | |
| 13 | 6F5-81830-11-00 | .FRONT BRACKET ASSY | 1 | |
| 14 | 689-81831-00-00 | ..METAL, FRONT | 1 | |
| 15 | 689-81826-10-00 | .BOLT | 2 | |
| 16 | 97075-08025-00 | BOLT | 2 | |
| 17 | 92995-08600-00 | WASHER | 2 | |
| 18 | 97095-08016-00 | BOLT | 1 | |
| 19 | 92995-08600-00 | WASHER | 1 | |
| 20 | 6G8-81822-40-94 | BRACKET, STARTING MOTOR | 1 | |
| 21 | 97013-08030-00 | BOLT | 3 | |
| 22 | 92903-08600-00 | WASHER, PLATE | 3 | |

T9.9ELRB 2003 / BOTTOM COWLING



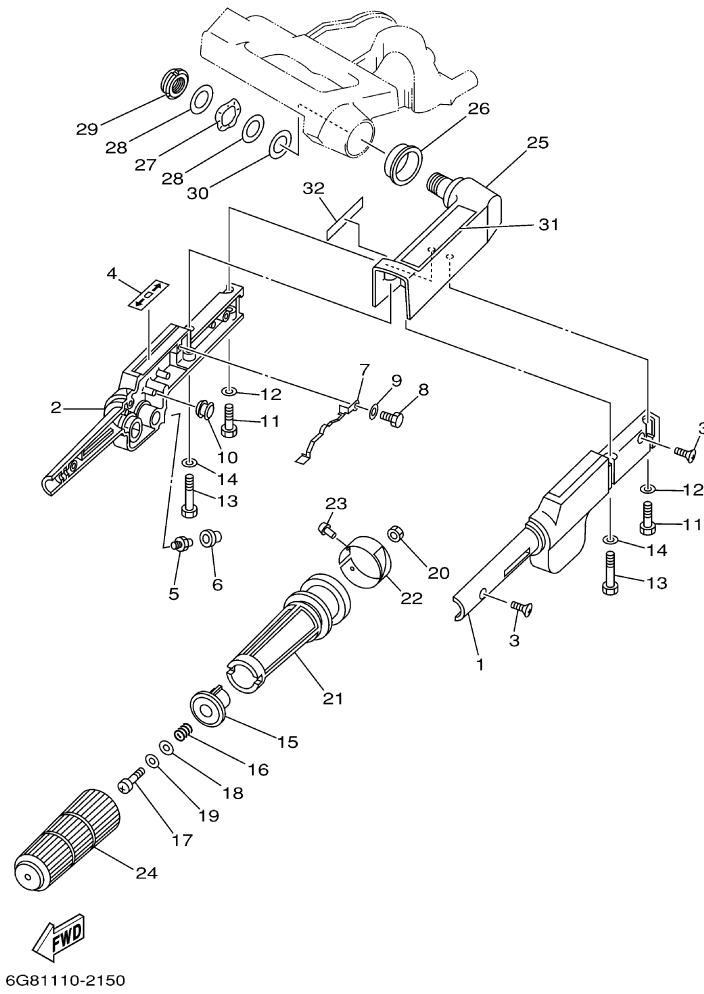
©2014 Yamaha Motor Corporation, U.S.A. All rights reserved.

Part List

T9.9ELRB 2003 / BOTTOM COWLING

| REF - NO | PART NUMBER | PART NAME | QUANTITY | REMARKS |
|----------------|-----------------|--------------------|----------|---------|
| 1 | 6G8-42711-02-4D | COWLING, BOTTOM 1 | 1 | |
| 2 | 90480-09M35-00 | GROMMET | 8 | |
| 3 | 90119-06M56-00 | BOLT, WITH WASHER | 2 | |
| 4 | 90119-06M55-00 | BOLT, WITH WASHER | 2 | |
| 5 | 90387-06M15-00 | COLLAR | 4 | |
| 6 | 90480-17165-00 | GROMMET | 1 | ER |
| 7 | 6G8-42724-00-00 | GROMMET | 1 | |
| 8 | 6G8-42724-40-00 | GROMMET | 1 | EH |
| 9 | 6G8-44391-00-00 | NIPPLE, HOSE | 1 | |
| 10 | 90445-09M00-00 | HOSE (L180) | 1 | |
| 11 | 6G8-42727-00-00 | GROMMET | 1 | |
| 12 | 6G8-42815-00-00 | LEVER, CLAMP | 1 | |
| 13 | 6G8-42831-00-00 | BUSHING | 1 | |
| 14 | 6G8-42811-00-94 | STAY | 1 | |
| 15 | 97013-06016-00 | BOLT | 1 | |
| 16 | 90386-08M49-00 | BUSH | 1 | |
| 17 | 90201-06M31-00 | .WASHER, PLATE | 2 | |
| 18 | 90387-06M72-00 | COLLAR | 1 | |
| 19 | 90206-08M13-00 | WASHER, WAVE | 1 | |
| 20 | 6G8-42748-00-00 | GROMMET | 1 | |
| 21 | 97095-06016-00 | BOLT | 2 | |
| 22 | 92995-06600-00 | WASHER | 2 | |
| 23 | 6G8-42738-00-94 | PLATE, FITTING | 1 | |
| 24 | 6G8-42719-00-94 | PANEL, FRONT LOWER | 1 | |
| 25 | 90480-19031-00 | GROMMET | 1 | |
| 26 | 90445-05ME6-00 | HOSE (L8) | 1 | |
| 27 | 97095-06016-00 | BOLT | 4 | |
| 28 | 92995-06600-00 | WASHER | 4 | |
| 29 | 6G8-42614-12-00 | PANEL, FRONT UPPER | 1 | |
| 30 | 6G8-42677-50-00 | GRAPHIC, FRONT | 1 | UR ER |
| 30 | 6G8-42677-40-00 | GRAPHIC, FRONT | 1 | UR EH |
| 31 | 6G8-42629-02-00 | SEAL | 1 | |
| 32 | 6G8-42755-00-00 | HINGE, COWLING | 1 | |
| 33 | 91490-16010-00 | PIN. COTTER | 1 | |
| 34 | 6G8-24379-00-00 | PIPE, JOINT 4 | 1 | |
| 35 | 90445-10M78-00 | HOSE (L50) | 1 | |
| 36 | 6G8-12476-00-00 | PIPE 6 | 1 | |
| 37 | 6G8-24378-01-00 | PIPE, JOINT 3 | 1 | |
| 38 | 6G8-12485-00-00 | PIPE 5 | 1 | |
| 39 | 90467-10M04-00 | CLIP | 2 | |
| 40 | 6G8-82377-10-00 | LABEL | 1 | |
| 41 | 6G8-13444-41-00 | MARK | 1 | |

T9.9ELRB 2003 / STEERING (EH)



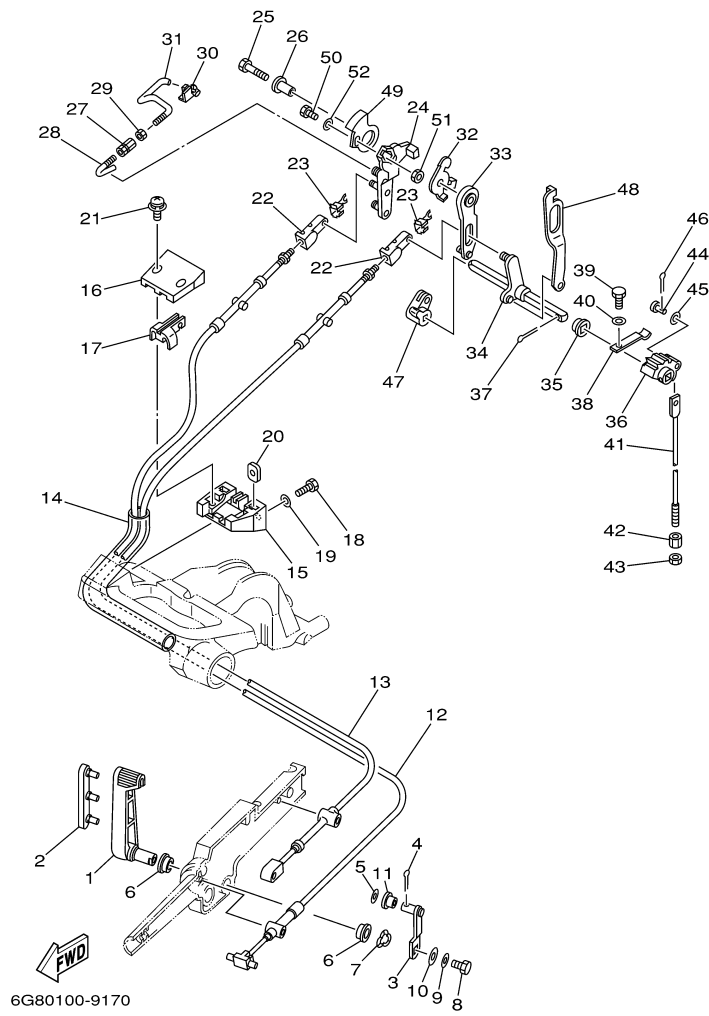
©2014 Yamaha Motor Corporation, U.S.A. All rights reserved.

Part List

T9.9ELRB 2003 / STEERING (EH)

| REF - NO | PART NUMBER | PART NAME | QUANTITY | REMARKS |
|----------------|-----------------|-----------------------------------|----------|---------|
| 1 | 6G8-42111-01-4D | HANDLE, STEERING | 1 | |
| 2 | 6G8-42112-02-4D | HANDLE, STEERING | 1 | |
| 3 | 98780-05016-00 | .SCREW, FLAT HEAD | 2 | |
| 4 | 6G8-44191-00-00 | INDICATOR, SHIFT | 1 | |
| 5 | 93700-06M03-00 | NIPPLE, GREASE | 1 | |
| 6 | 663-45119-00-00 | CAP, GREASE NIPPLE | 1 | AP |
| 7 | 6G8-42147-01-00 | SPRING | 1 | |
| 8 | 97095-05012-00 | BOLT | 1 | |
| 9 | 92995-05600-00 | WASHER | 1 | |
| 10 | 6H4-42725-00-00 | GROMMET | 1 | |
| 11 | 97095-06025-00 | BOLT | 2 | |
| 12 | 92995-06600-00 | WASHER | 2 | |
| 13 | 97095-06040-00 | .BOLT | 2 | |
| 14 | 92995-06600-00 | WASHER | 2 | |
| 15 | 6G8-42126-01-94 | FRICTION, STEERING HANDLE GRIP | 1 | |
| 16 | 90501-23M42-00 | SPRING, COMPRESSION | 1 | |
| 17 | 97880-06030-00 | SCREW, PAN HEAD | 1 | |
| 18 | 90201-06049-00 | WASHER, PLATE | 1 | |
| 19 | 90202-06007-00 | WASHER, PLATE | 1 | |
| 20 | 95380-06700-00 | NUT | 1 | |
| 21 | 6G8-42119-00-00 | GRIP, STEERING HANDLE | 1 | |
| 22 | 6G8-42137-01-00 | INDICATOR, THROTTLE | 1 | |
| 23 | 90269-02M09-00 | RIVET | 1 | |
| 24 | 6G8-42177-00-00 | RUBBER, HANDLE | 1 | |
| 25 | 6G8-42113-02-4D | HANDLE, STEERING 3 | 1 | |
| 26 | 90386-33M56-00 | BUSH | 1 | |
| 27 | 90206-20M14-00 | WASHER, WAVE | 1 | |
| 28 | 90201-20M00-00 | WASHER, PLATE | 2 | |
| 29 | 90185-20M03-00 | NUT, SELF-LOCKING | 1 | |
| 30 | 90202-20M33-00 | WASHER, PLATE | 1 | |
| 31 | 6G9-1571Y-40-00 | MARK, CAUTION | 1 | |
| 32 | 6E0-83627-41-00 | LABEL, CAUTION 7 | 1 | |

T9.9ELRB 2003 / CONTROL



©2014 Yamaha Motor Corporation, U.S.A. All rights reserved.


Part List

T9.9ELRB 2003 / CONTROL

| REF - NO | PART NUMBER | PART NAME | QUANTITY | REMARKS |
|----------|-----------------|--------------------|----------|---------|
| 1 | 6G8-44121-00-98 | LEVER, SHIFT ROD | 1 | EH |
| 2 | 6G8-42129-00-00 | BUSHING, RUBBER | 1 | EH |
| 3 | 6G8-44123-00-00 | ARM, SHIFT ROD | 1 | EH |
| 4 | 91490-16010-00 | PIN. COTTER | 1 | EH |
| 5 | 92990-05200-00 | .WASHER, PLAIN | 1 | EH |
| 6 | 90386-12069-00 | BUSH | 2 | EH |
| 7 | 90206-12052-00 | WASHER, WAVE | 1 | EH |
| 8 | 97013-06016-00 | BOLT | 1 | EH |
| 9 | 92903-06600-00 | WASHER, PLATE | 1 | EH |
| 10 | 90201-06M94-00 | WASHER, PLATE | 1 | EH |
| 11 | 90386-05M54-00 | BUSH | 1 | EH |
| 12 | 6G8-48311-02-00 | CABLE | 1 | EH |
| 13 | 6G8-48321-01-00 | CABLE | 1 | EH |
| 14 | 90445-24M00-00 | HOSE (L165) | 1 | EH |
| 15 | 6G8-41661-00-98 | BRACKET | 1 | EH |
| 16 | 6G8-41662-00-98 | BRACKET | 1 | EH |
| 17 | 6G8-41663-00-00 | BRACKET 3 | 1 | EH |
| 18 | 97095-06016-00 | BOLT | 2 | EH |
| 19 | 92995-06600-00 | WASHER | 2 | EH |
| 20 | 6G8-41654-00-00 | NUT | 2 | EH |
| 21 | 90159-05M06-00 | SCREW, WITH WASHER | 2 | EH |
| 22 | 6G8-26363-00-00 | .END, WIRE 1 | 2 | |
| 23 | 6G8-26364-00-00 | .END, CABLE | 2 | |
| 24 | 6G8-41212-00-00 | ARM, ACCEL. | 1 | |
| 25 | 97013-06030-00 | BOLT | 1 | |
| 26 | 90387-06M58-00 | COLLAR | 1 | |
| 27 | 6G8-41238-01-00 | JOINT, LINK | 1 | |
| 28 | 6G8-41241-01-00 | ROD, LINK | 1 | |
| 29 | 95380-04600-00 | .NUT | 1 | |
| 30 | 6G8-41237-01-00 | JOINT, LINK | 1 | |
| 31 | 6G8-41242-01-00 | ROD 2 | 1 | |
| 32 | 6G8-14493-00-00 | STAY 1 | 1 | |
| 33 | 6G8-44111-00-00 | HANDLE, GEAR SHIFT | 1 | |
| 34 | 6G8-44159-00-00 | HANDLE, GEAR SHIFT | 1 | |
| 35 | 682-44132-00-00 | BUSHING | 1 | |
| 36 | 682-44121-01-00 | LEVER, SHIFT ROD | 1 | |
| 37 | 91490-25020-00 | PIN. COTTER | 1 | |
| 38 | 682-44116-01-00 | SPRING | 1 | |
| 39 | 97095-06014-00 | BOLT | 1 | |
| 40 | 92995-06600-00 | WASHER | 1 | |
| 41 | 6G8-44143-10-00 | ROD, SHIFT | 1 | |
| 42 | 90170-06015-00 | NUT | 1 | |
| 43 | 95380-06700-00 | NUT | 1 | |
| 44 | 91790-05020-00 | PIN, CLEVIS | 1 | |
| 45 | 92990-05600-00 | WASHER, PLATE | 1 | |
| 46 | 91490-16010-00 | PIN. COTTER | 1 | |
| 47 | 6G8-44125-00-00 | LEVER, SHIFT ROD | 1 | |
| 48 | 6G8-44124-11-00 | LINK, SHIFT ROD | 1 | EH |
| 49 | 6G8-41212-11-00 | ARM, ACCEL. | 1 | EH |
| 50 | 97013-06014-00 | BOLT | 1 | EH |
| 51 | 95380-06600-00 | NUT, HEXAGON | 1 | EH |
| 52 | 92990-06600-00 | WASHER, PLATE | 1 | EH |

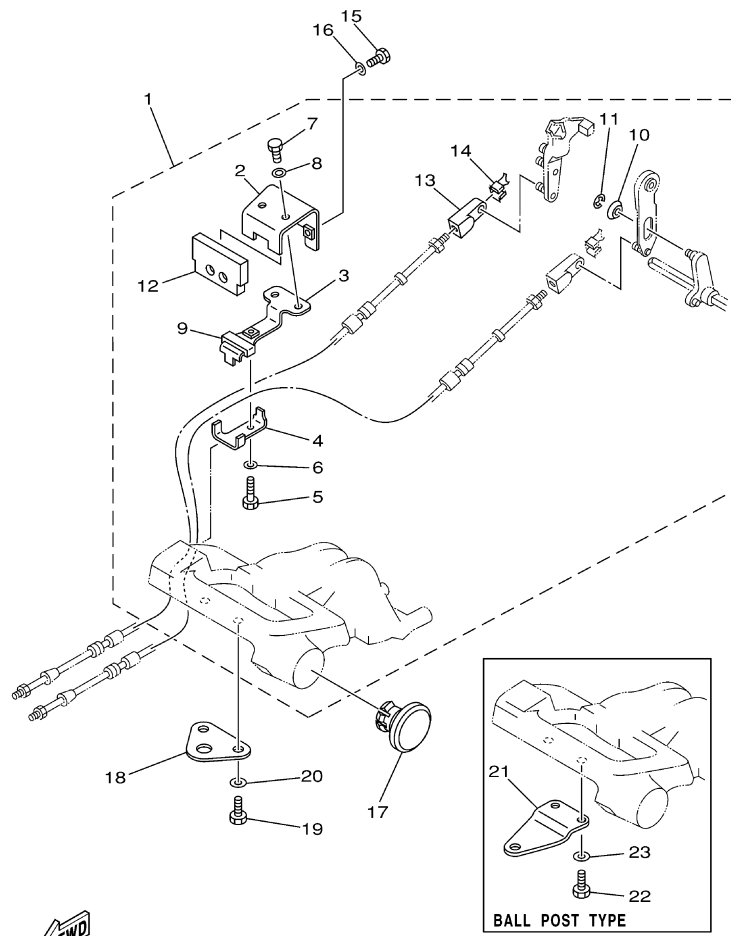
Part Notes

T9.9ELRB 2003 / CONTROL

| PART NUMBER | NOTE TEXT |
|--|--|
| 92990-06600-00  | OEM: This part number is among the Top 100 Most Popular Marine Maintenance Parts as of March 2014. |

©2014 Yamaha Motor Corporation, U.S.A. All rights reserved.

T9.9ELRB 2003 / REMO-CON ATTACHMENT



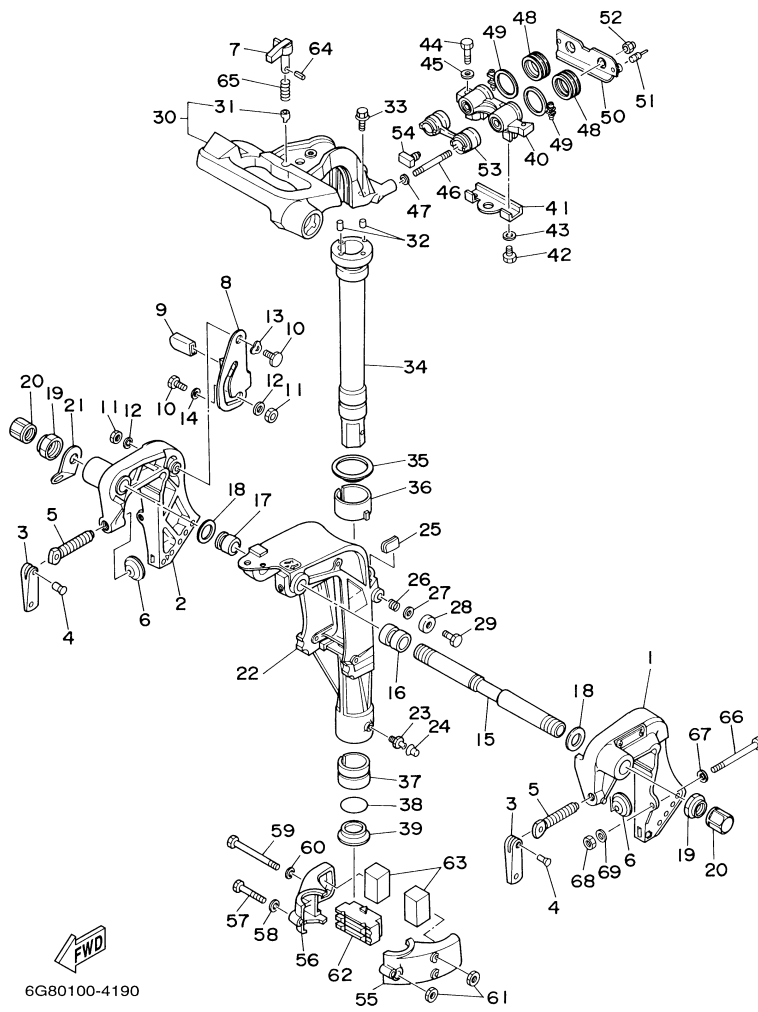

6G80100-9180

Part List

T9.9ELRB 2003 / REMO-CON ATTACHMENT

| REF - NO | PART NUMBER | PART NAME | QUANTITY | REMARKS |
|----------------|-----------------|---------------------------------|----------|------------------------|
| 1 | 6G8-48501-03-00 | REMOTE CONT. ATTACHMENT ASSY | 1 | AP ER |
| 2 | 6G8-48531-51-00 | .BRACKET, REMOTE CONTROL 1 | 1 | |
| 3 | 6G8-48532-50-00 | .BRACKET, REMOTE CONTROL 2 | 1 | |
| 4 | 6G8-48538-50-00 | .CLAMP, CABLE 1 | 1 | |
| 5 | 97095-06030-00 | .BOLT | 1 | |
| 6 | 92995-06600-00 | .WASHER | 1 | |
| 7 | 97095-06012-00 | .BOLT | 2 | |
| 8 | 92995-06600-00 | .WASHER | 2 | |
| 9 | 6G8-48565-50-00 | .GROMMET | 1 | |
| 10 | 90387-06M73-00 | .COLLAR | 1 | |
| 11 | 93430-04M03-00 | .CIRCLIP | 1 | |
| 12 | 6G8-48351-51-00 | .SEAL RUBBER | 1 | |
| 13 | 6G8-26363-00-00 | .END, WIRE 1 | 1 | |
| 14 | 6G8-26364-00-00 | .END, CABLE | 1 | |
| 15 | 97095-06016-00 | BOLT | 2 | ER |
| 16 | 92995-06600-00 | WASHER | 2 | ER |
| 17 | 6G8-42551-00-00 | GROMMET | 1 | ER |
| 18 | 6G8-48511-20-00 | HOOK, STEERING | 1 | ER STEERING GUIDE TYPE |
| 19 | 97095-06016-00 | BOLT | 2 | ER |
| 20 | 92995-06600-00 | WASHER | 2 | ER |
| 21 | 6G8-48511-10-00 | HOOK, STEERING | 1 | AP ER BALL POST TYPE |
| 22 | 97095-06016-00 | BOLT | 2 | AP ER |
| 23 | 92995-06600-00 | WASHER | 2 | AP ER |

T9.9ELRB 2003 / BRACKET 1



©2014 Yamaha Motor Corporation, U.S.A. All rights reserved.

Part List


T9.9ELRB 2003 / BRACKET 1

| REF - NO | PART NUMBER | PART NAME | QUANTITY | REMARKS |
|----------------|-----------------|--------------------------------|----------|---------|
| 1 | 6G8-43111-04-4D | BRACKET, CLAMP 1 | 1 | |
| 2 | 6G8-43112-04-4D | BRACKET, CLAMP 2 | 1 | |
| 3 | 6E0-43118-01-00 | HANDLE, TRANSOM CLAMP | 2 | |
| 4 | 90243-04M01-00 | PIN | 2 | |
| 5 | 6E7-43116-00-00 | SCREW, TRANSOM CLAMP | 2 | |
| 6 | 648-43114-01-00 | PAD, TRANSOM CLAMP | 2 | |
| 7 | 6G8-42561-00-00 | KNOB, STEERING LOCK | 1 | EH |
| 8 | 6G8-43181-00-00 | LEVER, TILT STOP | 1 | |
| 9 | 682-43318-01-00 | COVER | 1 | |
| 10 | 90109-06M25-00 | BOLT | 2 | |
| 11 | 95680-06100-00 | NUT, U | 2 | |
| 12 | 92990-06600-00 | WASHER, PLATE | 2 | |
| 13 | 90206-10M15-00 | WASHER, WAVE | 1 | |
| 14 | 682-43339-01-00 | WASHER | 1 | |
| 15 | 6G8-43131-00-00 | BOLT, CLAMP BRACKET | 1 | |
| 16 | 90386-22M92-00 | BUSH | 1 | |
| 17 | 90386-22M93-00 | BUSH | 1 | |
| 18 | 90201-22M03-00 | WASHER, PLATE | 2 | |
| 19 | 90185-22043-00 | NUT, SELF-LOCKING | 2 | |
| 20 | 6G5-43145-01-00 | CAP, CLAMP BRACKET | 2 | |
| 21 | 6J8-43113-01-00 | PLATE, CLAMP BRACKET | 1 | |
| 22 | 6G8-43311-15-4D | BRACKET, SWIVEL 1 | 1 | |
| 23 | 93700-06M03-00 | NIPPLE, GREASE | 1 | |
| 24 | 663-45119-00-00 | CAP, GREASE NIPPLE | 1 | AP |
| 25 | 6G8-42528-00-00 | PLATE, FRICTION | 1 | |
| 26 | 90501-18M00-00 | SPRING, COMPRESSION | 1 | |
| 27 | 90201-06M31-00 | .WASHER, PLATE | 1 | |
| 28 | 6G8-43373-00-00 | SEAL, DAMPER | 1 | |
| 29 | 97095-06025-00 | BOLT | 1 | |
| 30 | 6G8-42511-02-4D | BRACKET, STEERING | 1 | |
| 31 | 6G8-42534-00-00 | .PIN, DOWEL | 1 | |
| 32 | 93605-15065-00 | PIN, DOWEL | 2 | |
| 33 | 90119-06M06-00 | BOLT, WITH WASHER | 2 | |
| 34 | 6G8-42521-10-94 | SHAFT, STEERING PIVOT | 1 | |
| 35 | 90209-45M09-00 | WASHER | 1 | |
| 36 | 6G8-42537-00-00 | BUSHING, PIVOT SHAFT | 1 | |
| 37 | 90386-37M47-00 | BUSH | 1 | |
| 38 | 93210-37M67-00 | O-RING | 1 | |
| 39 | 90386-37M48-00 | BUSH | 1 | |
| 40 | 6G8-44517-00-94 | MOUNT RUBBER | 1 | |
| 41 | 6G8-44526-00-00 | PLATE | 1 | |
| 42 | 97095-06012-00 | BOLT | 2 | |
| 43 | 92995-06600-00 | WASHER | 2 | |
| 44 | 97095-08030-00 | BOLT | 2 | |
| 45 | 92995-08600-00 | WASHER | 2 | |
| 46 | 90116-08M28-00 | BOLT, STUD | 2 | |
| 47 | 90201-08M12-00 | .WASHER, PLATE | 2 | |
| 48 | 6G8-44522-00-00 | SEAL | 2 | |
| 49 | 90460-38M06-00 | CLAMP, HOSE | 2 | |
| 50 | 6G8-44518-00-00 | BRACKET COMP. | 1 | |
| 51 | 6G8-44533-00-00 | DAMPER, UPPER MOUNT RUBBER | 2 | |
| 52 | 90185-08057-00 | NUT, SELF-LOCKING | 2 | |
| 53 | 6G8-44521-00-00 | SEAL | 1 | |
| 54 | 6G8-44532-00-00 | STOPPER, UPPER MOUNT | 1 | |
| 55 | 6G8-44551-01-4D | HOUSING, LOWER MOUNT RUBBER | 1 | |
| 56 | 6G8-44552-02-4D | HOUSING, LOWER MOUNT RUBBER | 1 | |
| 57 | 97095-06045-00 | .BOLT | 1 | |
| 58 | 92995-06600-00 | WASHER | 1 | |

| | | | | |
|----|-----------------|---------------------------|---|----|
| 59 | 97095-06095-00 | BOLT | 2 | |
| 60 | 92995-06600-00 | WASHER | 2 | |
| 61 | 95380-06700-00 | NUT | 3 | |
| 62 | 6G8-44557-00-00 | MOUNT DAMPER, LOWER FRONT | 1 | |
| 63 | 682-44555-00-00 | MOUNT DAMPER, LOWER SIDE | 2 | |
| 64 | 91690-30012-00 | .PIN, SPRING | 1 | EH |
| 65 | 90501-10071-00 | ..SPRING, COMPRESSION | 1 | EH |
| 66 | 90101-08M88-00 | BOLT | 2 | |
| 67 | 92995-08600-00 | WASHER | 2 | |
| 68 | 90185-08057-00 | NUT, SELF-LOCKING | 2 | |
| 69 | 90201-08MA4-00 | WASHER, PLATE | 2 | |

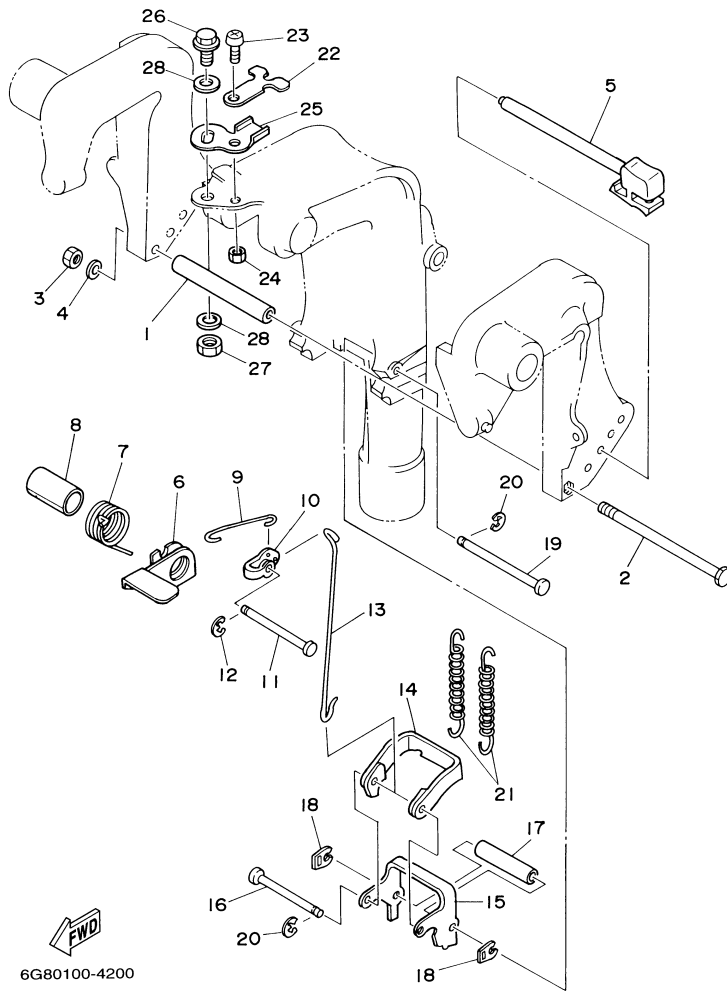
Part Notes

T9.9ELRB 2003 / BRACKET 1

| PART NUMBER | | NOTE TEXT |
|----------------|---|--|
| 92990-06600-00 |  | OEM: This part number is among the Top 100 Most Popular Marine Maintenance Parts as of March 2014. |

©2014 Yamaha Motor Corporation, U.S.A. All rights reserved.

T9.9ELRB 2003 / BRACKET 2



©2014 Yamaha Motor Corporation, U.S.A. All rights reserved.


Part List

T9.9ELRB 2003 / BRACKET 2

| REF - NO | PART NUMBER | PART NAME | QUANTITY | REMARKS |
|----------------|-----------------|---------------------|----------|-----------------------------|
| 1 | 90387-06M09-00 | COLLAR | 1 | |
| 2 | 97095-06135-00 | BOLT | 1 | |
| 3 | 95380-06700-00 | NUT | 1 | |
| 4 | 92990-06600-00 | WASHER, PLATE | 1 | |
| 5 | 6G8-43160-01-00 | TILT ROD ASSY | 1 | |
| 6 | 6G8-43631-03-00 | LEVER, TILT | 1 | |
| 7 | 90508-18M33-00 | SPRING, TORSION | 1 | |
| 8 | 90386-20M94-00 | BUSH | 1 | |
| 9 | 6G8-43616-00-00 | ROD, TILT LOCK | 1 | |
| 10 | 682-43641-00-00 | LEVER, TILT | 1 | |
| 11 | 90249-06M20-00 | PIN | 1 | |
| 12 | 99080-05600-00 | CIRCLIP | 1 | |
| 13 | 6G8-43617-00-00 | ROD, TILT LOCK | 1 | |
| 14 | 682-43614-00-00 | PLATE, TILT LOCK | 1 | |
| 15 | 682-43615-01-00 | PLATE, TILT LOCK | 1 | |
| 16 | 682-43611-01-00 | SHAFT, TILT LOCK | 1 | |
| 17 | 90387-06M20-00 | COLLAR | 1 | |
| 18 | 682-43673-00-00 | WASHER 1 | 2 | WITHOUT SHALLOW WATER DRIVE |
| 19 | 682-43659-01-00 | SHAFT, REVERSE LOCK | 1 | |
| 20 | 99080-05600-00 | CIRCLIP | 2 | |
| 21 | 90506-29M16-00 | SPRING, TENSION | 2 | |
| 22 | 6G8-43319-03-94 | PLATE | 1 | EH |
| 23 | 90157-06M18-00 | SCREW, PAN HEAD | 1 | EH |
| 24 | 95380-06600-00 | NUT, HEXAGON | 1 | EH |
| 25 | 6G8-42512-02-94 | PLATE, CONTROL | 1 | EH |
| 26 | 97095-10020-00 | BOLT | 1 | EH |
| 27 | 95380-10700-00 | NUT | 1 | EH |
| 28 | 90201-10M76-00 | .WASHER, PLATE | 2 | EH |

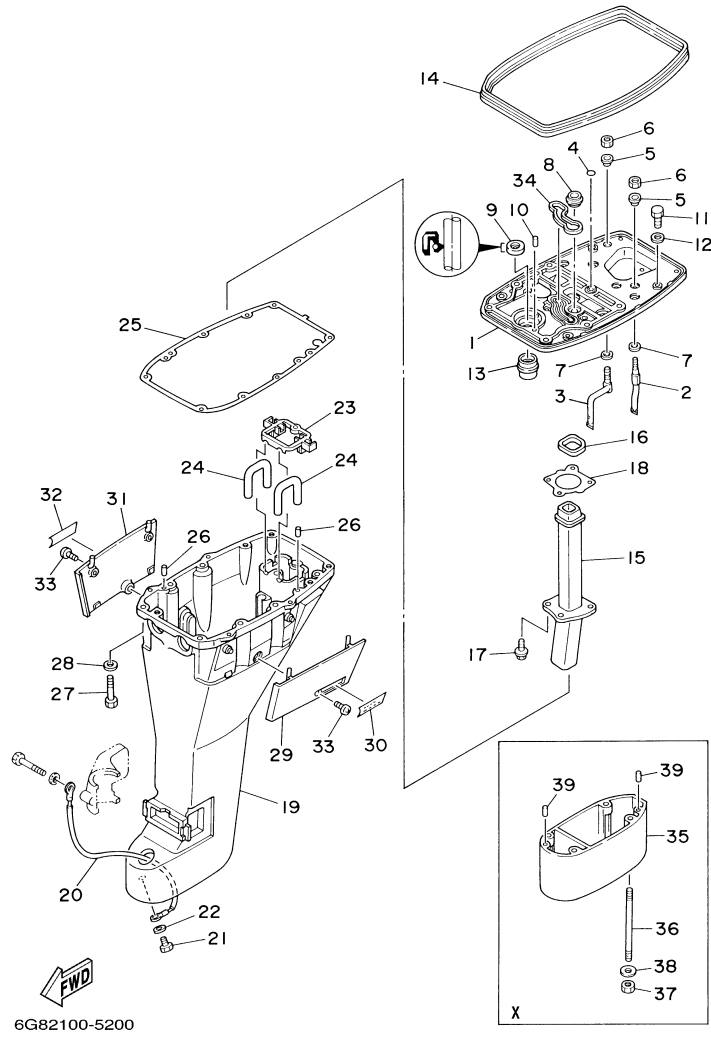
Part Notes

T9.9ELRB 2003 / BRACKET 2

| PART NUMBER | NOTE TEXT |
|--|--|
| 92990-06600-00  | OEM: This part number is among the Top 100 Most Popular Marine Maintenance Parts as of March 2014. |

©2014 Yamaha Motor Corporation, U.S.A. All rights reserved.

T9.9ELRB 2003 / UPPER CASING

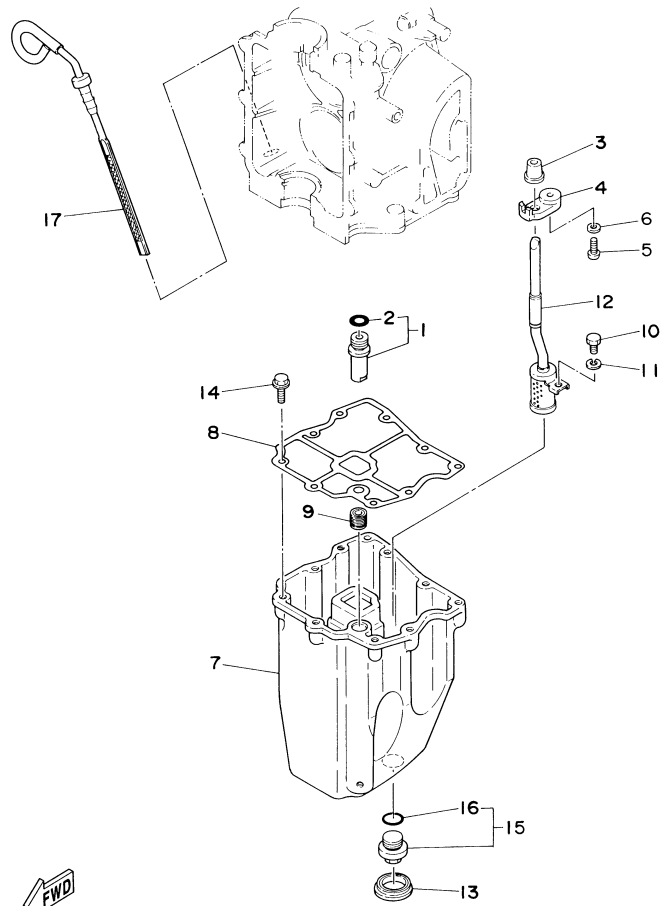


Part List

T9.9ELRB 2003 / UPPER CASING

| REF - NO | PART NUMBER | PART NAME | QUANTITY | REMARKS |
|----------------|-----------------|-------------------------------|----------|---------|
| 1 | 6G8-41137-04-94 | GUIDE, EXHAUST | 1 | |
| 2 | 6G8-12483-00-00 | PIPE 3 | 1 | |
| 3 | 6G8-12484-00-00 | PIPE 4 | 1 | |
| 4 | 93210-08M60-00 | O-RING | 1 | |
| 5 | 90386-10M70-00 | BUSH | 2 | |
| 6 | 95380-10700-00 | NUT | 2 | |
| 7 | 90202-10M03-00 | WASHER, PLATE | 2 | |
| 8 | 6G8-44367-00-00 | DAMPER, WATER SEAL | 1 | |
| 9 | 93101-13M27-00 | O-RING | 1 | |
| 10 | 93606-12019-00 | .PIN, DOWEL | 2 | |
| 11 | 97013-06020-00 | BOLT | 2 | |
| 12 | 92903-06600-00 | WASHER, PLATE | 2 | |
| 13 | 6G8-45135-00-00 | PIPE | 1 | |
| 14 | 6G8-42716-00-00 | RUBBER, SEAL 1 | 1 | |
| 15 | 6G8-41131-01-00 | MANIFOLD, EXT. 1 | 1 | |
| 16 | 6G8-41138-00-00 | SEAL, EXT. 1 | 1 | |
| 17 | 90105-06M33-00 | BOLT, FLANGE | 4 | |
| 18 | 6G8-41133-A0-00 | GASKET, EXHAUST MANIFOLD 1 | 1 | |
| 19 | 6G8-45111-13-4D | CASING, UPPER | 1 | |
| 20 | 6G8-82149-00-00 | WIRE, LEAD 3 | 1 | |
| 21 | 97095-06012-00 | BOLT | 1 | |
| 22 | 92995-06600-00 | WASHER | 1 | |
| 23 | 6G8-45151-10-00 | COVER, UPPER CASING | 1 | |
| 24 | 6G8-45136-00-00 | PIPE | 2 | |
| 25 | 6G8-45113-A1-00 | .GASKET, UPPER CASING | 1 | |
| 26 | 93606-12019-00 | .PIN, DOWEL | 2 | |
| 27 | 97095-08040-00 | BOLT | 6 | |
| 28 | 92995-08600-00 | WASHER | 6 | |
| 29 | 6G8-42741-00-4D | APRON | 1 | |
| 30 | 6G8-42791-00-00 | MARK 1 | 1 | |
| 31 | 6G8-42771-00-4D | APRON | 1 | |
| 32 | 6G8-42792-00-00 | MARK | 1 | |
| 33 | 90157-06M04-00 | SCREW, PAN HEAD | 2 | |
| 34 | 6G8-11355-00-00 | SEAL, CYLINDER 1 | 1 | |
| 35 | 6G8-45211-20-4D | EXTENSION | 1 | X |
| 36 | 90116-08M19-00 | BOLT, STUD | 4 | X |
| 37 | 95380-08600-00 | NUT | 4 | X |
| 38 | 92990-08600-00 | ..WASHER, PLATE | 4 | X |
| 39 | 93606-12019-00 | .PIN, DOWEL | 2 | X |

T9.9ELRB 2003 / OIL PAN



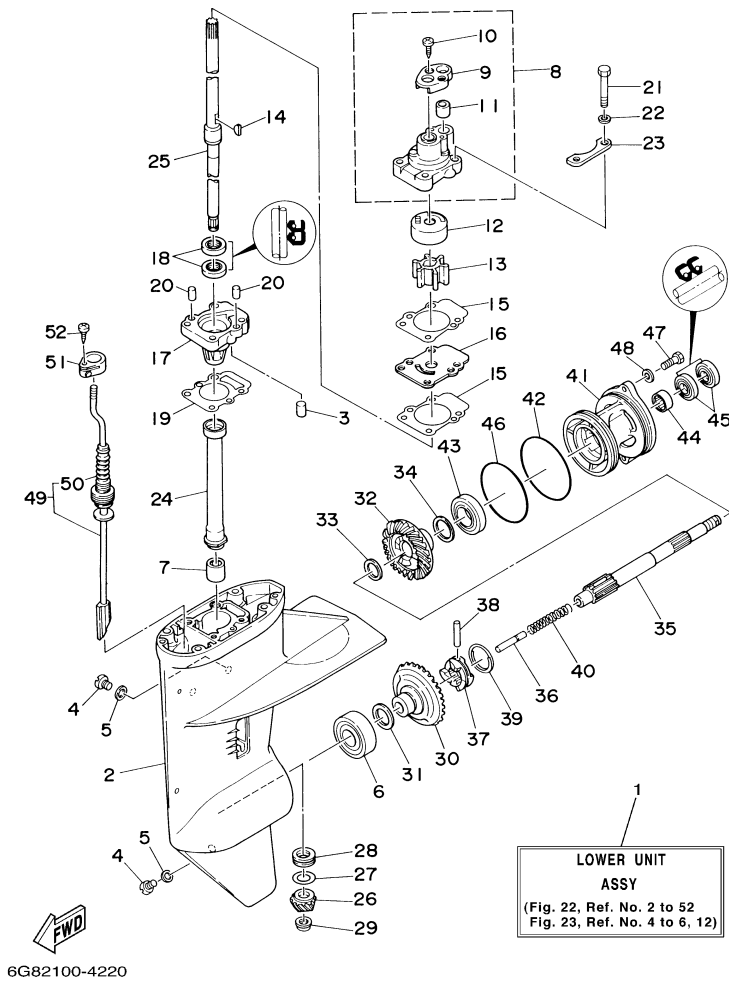
6G90010-4210

Part List

T9.9ELRB 2003 / OIL PAN

| REF - NO | PART NUMBER | PART NAME | QUANTITY | REMARKS |
|----------------|-----------------|------------------------|----------|---------|
| 1 | 6G8-11575-00-00 | RELIEF VALVE ASSY | 1 | |
| 2 | 93210-12M62-00 | .O-RING | 1 | |
| 3 | 6G8-15379-00-00 | SEAL, CRANKCASE | 1 | |
| 4 | 6G8-13487-00-00 | GUIDE, OIL HOSE | 1 | |
| 5 | 97880-05012-00 | SCREW, PAN HEAD | 1 | |
| 6 | 92990-05600-00 | WASHER, PLATE | 1 | |
| 7 | 6G8-15311-03-0D | OIL PAN | 1 | |
| 8 | 6G8-15312-A1-00 | .GASKET, OIL PAN | 1 | |
| 9 | 6G8-45127-00-00 | SEAL | 1 | |
| 10 | 97013-06010-00 | BOLT | 1 | |
| 11 | 92903-06100-00 | WASHER, SPRING | 1 | |
| 12 | 6G8-13421-00-00 | STRAINER 2 | 1 | |
| 13 | 6G8-15316-00-00 | DAMPER, ENGINE MOUNT 1 | 1 | |
| 14 | 90105-06M33-00 | BOLT, FLANGE | 9 | |
| 15 | 6G8-13471-00-00 | PLUG, DRAIN | 1 | |
| 16 | 93210-16M64-00 | .O-RING | 1 | |
| 17 | 6G8-15362-04-00 | PLUG, OIL LEVEL | 1 | |

T9.9ELRB 2003 / LOWER CASING DRIVE 1



Part List


T9.9ELRB 2003 / LOWER CASING DRIVE 1

| REF - NO | PART NUMBER | PART NAME | QUANTITY | REMARKS |
|----------|-----------------|----------------------------|----------|---------|
| 1 | 6G8-45300-26-4D | LOWER UNIT ASSY | 1 | UR X |
| 1 | 6G8-45300-16-4D | LOWER UNIT ASSY | 1 | UR L |
| 2 | 6G8-45311-04-4D | CASING, LOWER | 1 | |
| 3 | 93604-08062-00 | PIN, DOWEL | 1 | |
| 4 | 90340-08002-00 | PLUG, STRAIGHT SCREW | 3 | |
| 5 | 90430-08020-00 | .GASKET | 3 | |
| 6 | 93332-00005-00 | BEARING | 1 | |
| 7 | 93315-213V4-00 | BEARING | 1 | |
| 8 | 682-44300-01-00 | HOUSING, WATER PUMP | 1 | |
| 9 | 682-44312-00-00 | .COVER, WATER PUMP HOUSING | 1 | |
| 10 | 97780-40112-00 | .SCREW, TAPPING | 2 | |
| 11 | 682-44365-00-00 | .DAMPER, WATER SEAL | 1 | |
| 12 | 682-44322-00-00 | INSERT, CARTRIDGE | 1 | |
| 13 | 682-44352-01-00 | IMPELLER | 1 | |
| 14 | 90280-03024-00 | .KEY, WOODRUFF | 1 | |
| 15 | 682-44315-A0-00 | GASKET, WATER PUMP | 2 | |
| 16 | 682-44323-00-00 | OUTER PLATE, CARTRIDGE | 1 | |
| 17 | 6G8-45331-00-5B | HOUSING, BEARING | 1 | |
| 18 | 93101-20048-00 | .OIL SEAL | 2 | |
| 19 | 6G8-45315-A0-00 | PACKING, LOWER CASING | 1 | |
| 20 | 93606-12019-00 | .PIN, DOWEL | 2 | |
| 21 | 97095-06045-00 | .BOLT | 4 | |
| 22 | 92995-06600-00 | WASHER | 4 | |
| 23 | 682-44328-00-00 | PLATE | 2 | |
| 24 | 6G8-45536-00-00 | SLEEVE, DRIVE SHAFT | 1 | |
| 25 | 6G8-45501-20-00 | DRIVE SHAFT COMP. | 1 | UR X |
| 25 | 6G8-45501-10-00 | DRIVE SHAFT COMP. | 1 | UR L |
| 26 | 6G8-45551-00-00 | PINION (13T) | 1 | |
| 27 | 6G8-45587-00-10 | SHIM (T:0.10MM) | 1 | UR |
| 27 | 6G8-45587-00-14 | SHIM (T:0.14MM) | 1 | UR |
| 27 | 6G8-45587-00-50 | SHIM (T:0.50MM) | 1 | UR |
| 27 | 6G8-45587-00-35 | SHIM (T:0.35MM) | 1 | UR |
| 27 | 6G8-45587-00-18 | SHIM (T:0.18MM) | 1 | UR |
| 28 | 93341-313U3-00 | BEARING | 1 | |
| 29 | 90179-08M06-00 | NUT | 1 | |
| 30 | 6G8-45560-00-00 | GEAR | 1 | |
| 31 | 626-45577-00-01 | SHIM (T:0.10MM) | 1 | UR |
| 31 | 626-45577-00-05 | SHIM (T:0.50MM) | 1 | UR |
| 31 | 626-45577-00-03 | SHIM (T:0.30MM) | 1 | UR |
| 32 | 6G8-45571-00-00 | GEAR 2 (38T) | 1 | |
| 33 | 90201-17682-00 | WASHER, PLATE | 1 | |
| 34 | 626-45577-00-01 | SHIM (T:0.10MM) | 1 | UR |
| 34 | 626-45577-00-05 | SHIM (T:0.50MM) | 1 | UR |
| 34 | 626-45577-00-03 | SHIM (T:0.30MM) | 1 | UR |
| 35 | 6G8-45611-00-00 | SHAFT, PROPELLER | 1 | |
| 36 | 650-45635-00-00 | PLUNGER, SHIFT | 1 | |
| 37 | 682-45631-00-00 | CLUTCH, DOG | 1 | |
| 38 | 90250-05010-00 | PIN, STRAIGHT | 1 | |
| 39 | 648-45633-00-00 | RING, CROSS PIN | 1 | |
| 40 | 90501-14M06-00 | SPRING, COMPRESSION | 1 | |
| 41 | 6G8-45361-01-4D | CAP, LOWER CASING | 1 | |
| 42 | 93210-74316-00 | .O-RING | 1 | |
| 43 | 93306-00501-00 | BEARING | 1 | |
| 44 | 93315-317U2-00 | BEARING | 1 | |
| 45 | 93101-17054-00 | .OIL SEAL | 2 | |
| 46 | 93210-74M68-00 | .O-RING | 1 | |
| 47 | 97095-06020-00 | BOLT | 2 | |
| 48 | 92995-06600-00 | WASHER | 2 | |
| 49 | 6G8-44150-20-00 | SHIFT CAM ASSY | 1 | UR X |

| | | | | |
|----|-----------------|------------------|---|------|
| 49 | 6G8-44150-10-00 | SHIFT CAM ASSY | 1 | UR L |
| 50 | 682-44147-00-00 | .BOOT, SHIFT ROD | 1 | |
| 51 | 682-44176-00-00 | BRACKET | 1 | |
| 52 | 97780-50510-00 | SCREW, TAPPING | 1 | |

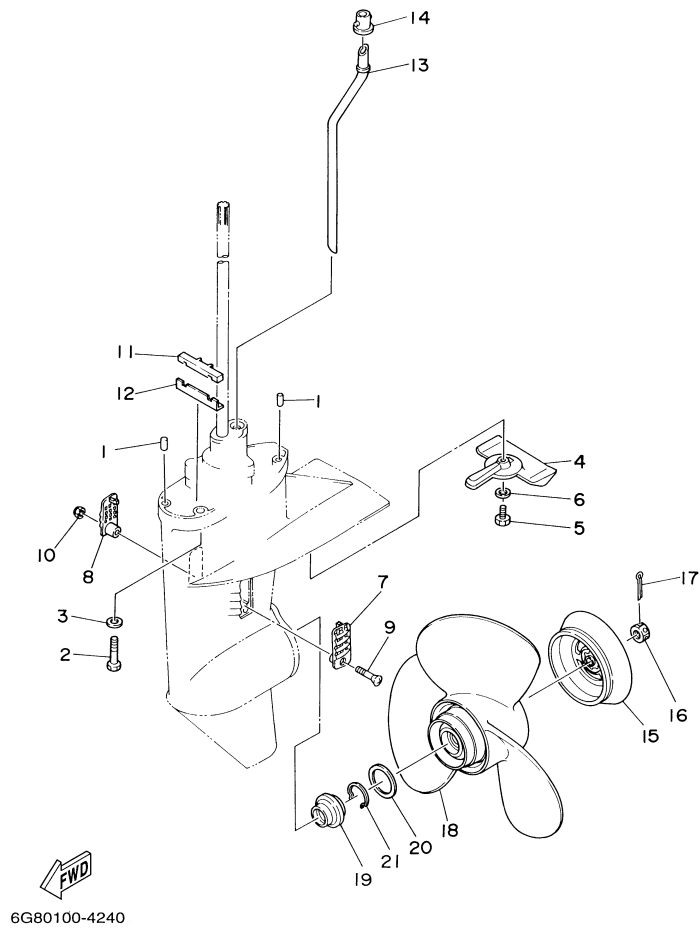
Part Notes

T9.9ELRB 2003 / LOWER CASING DRIVE 1

| PART NUMBER | | NOTE TEXT |
|----------------|---|--|
| 90430-08020-00 |  | OEM: This part number is among the Top 100 Most Popular Marine Maintenance Parts as of March 2014. |

©2014 Yamaha Motor Corporation, U.S.A. All rights reserved.

T9.9ELRB 2003 / LOWER CASING DRIVE 2



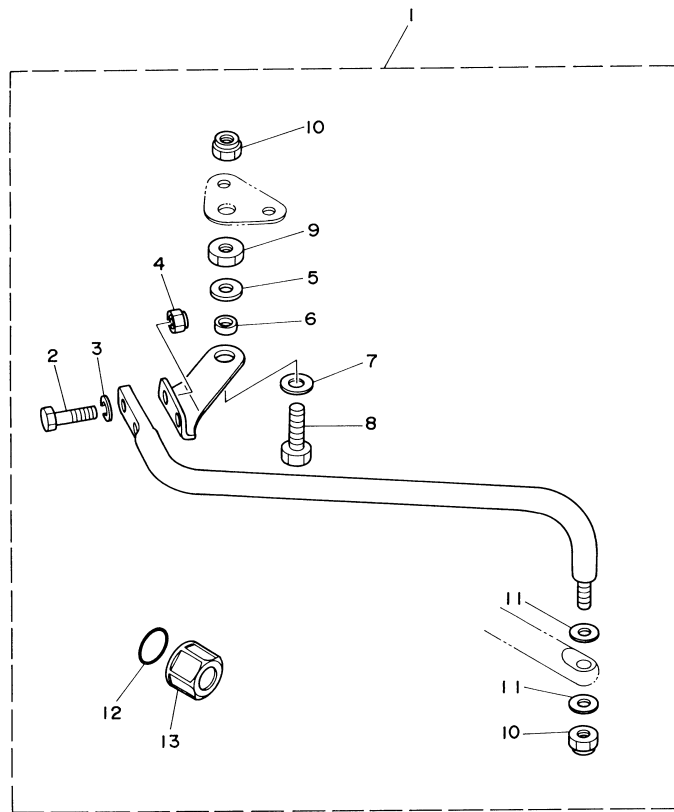
©2014 Yamaha Motor Corporation, U.S.A. All rights reserved.

Part List

T9.9ELRB 2003 / LOWER CASING DRIVE 2

| REF - NO | PART NUMBER | PART NAME | QUANTITY | REMARKS |
|----------|-----------------|--------------------------------|----------|--------------|
| 1 | 93606-12019-00 | .PIN, DOWEL | 2 | |
| 2 | 97075-08035-00 | BOLT | 4 | |
| 3 | 92995-08600-00 | WASHER | 4 | |
| 4 | 6G8-45251-00-00 | ANODE | 1 | |
| 5 | 95895-06020-00 | BOLT, FLANGE | 1 | |
| 6 | 92990-06300-00 | WASHER, INTERNAL TOOTH | 1 | |
| 7 | 6G8-45214-00-00 | COVER, WATER INLET 1 | 1 | |
| 8 | 6G8-45215-00-00 | COVER, WATER INLET 2 | 1 | |
| 9 | 90152-05M04-00 | SCREW, COUNTERSUNK | 1 | |
| 10 | 90185-05002-00 | NUT, NYLON | 1 | |
| 11 | 682-45375-01-00 | DAMPER, SEAL | 1 | |
| 12 | 682-45376-01-00 | GUIDE, SEAL DAMPER | 1 | |
| 13 | 6G8-44361-20-00 | TUBE, WATER | 1 | UR X |
| 13 | 6G8-44361-10-00 | TUBE, WATER | 1 | UR L |
| 14 | 626-44365-01-00 | DAMPER, WATER SEAL | 1 | |
| 15 | 6G8-45986-00-00 | RING, DEFLECTOR | 1 | |
| 16 | 90171-10M07-00 | NUT, CASTLE | 1 | |
| 17 | 91490-30025-00 | PIN. COTTER | 1 | |
| 18 | 6G8-45941-00-00 | PROPELLER (3X11" X 11-3/4"-R) | 1 | UR |
| 18 | 6G8-45947-00-EL | PROPELLER (3X11-3/4"X9-1/4"-R) | 1 | UR ALUMINIUM |
| 18 | 6G8-45945-00-00 | PROPELLER(3X11-3/4"X12-1/4"-R) | 1 | UR |
| 18 | 6G8-45943-00-00 | PROPELLER (3X11-3/4"X9-1/4"-R) | 1 | UR |
| 19 | 6G8-45987-02-00 | SPACER 1 | 1 | |
| 20 | 90201-31MA3-00 | WASHER, PLATE | 1 | |
| 21 | 93450-10M04-00 | CIRCLIP | 1 | |

T9.9ELRB 2003 / STEERING GUIDE



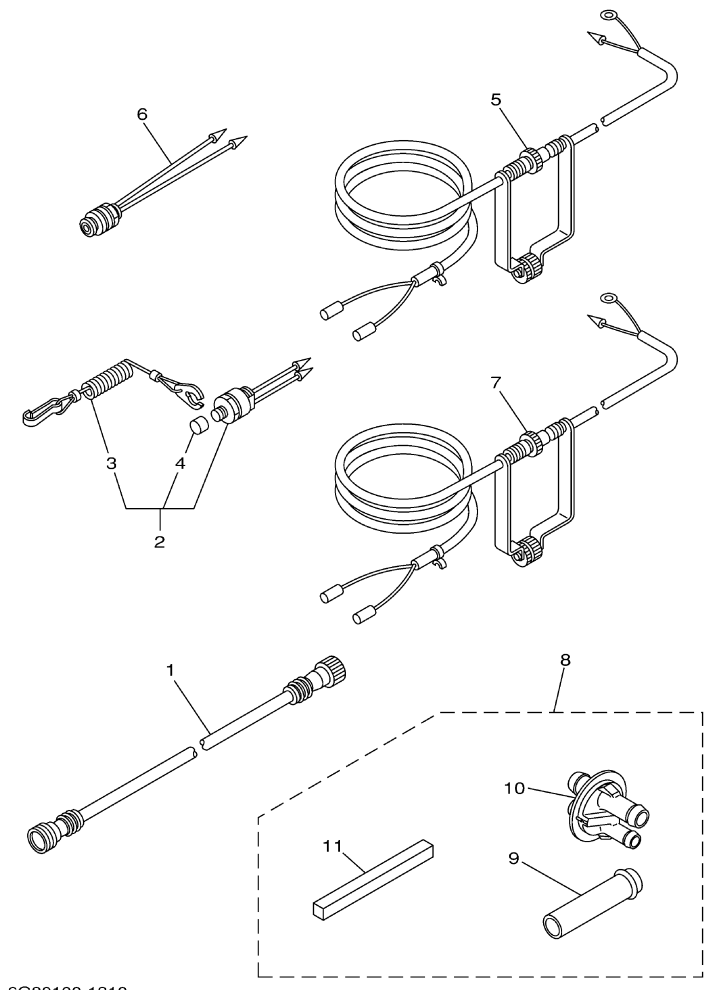
6G80100-9270

Part List

T9.9ELRB 2003 / STEERING GUIDE

| REF - NO | PART NUMBER | PART NAME | QUANTITY | REMARKS |
|----------------|-----------------|----------------------------------|----------|---------|
| 1 | 6G8-61350-00-00 | STEERING GUIDE ATTACHMENT KIT | 1 | AP ER |
| 2 | 97075-08025-00 | .BOLT | 2 | |
| 3 | 92995-08600-00 | .WASHER | 2 | |
| 4 | 90185-08057-00 | .NUT, SELF-LOCKING | 2 | |
| 5 | 90201-10M04-00 | .WASHER, PLATE | 1 | |
| 6 | 90387-10M06-00 | .COLLAR | 1 | |
| 7 | 90201-10M63-00 | .WASHER, PLATE | 1 | |
| 8 | 6E5-61355-00-00 | .BOLT | 1 | |
| 9 | 90170-09M03-00 | .NUT | 1 | |
| 10 | 90185-09M01-00 | .NUT, SELF-LOCKING | 2 | |
| 11 | 90201-10M20-00 | .WASHER, PLATE | 2 | |
| 12 | 93210-16275-00 | .O-RING | 1 | |
| 13 | 6E5-43145-01-00 | .CAP, CLAMP BRACKET | 1 | |

T9.9ELRB 2003 / OPTIONAL PARTS



6G80100-1310


Part List

T9.9ELRB 2003 / OPTIONAL PARTS

| REF - NO | PART NUMBER | PART NAME | QUANTITY | REMARKS |
|----------------|-----------------|-------------------------|----------|---------|
| 1 | 689-82553-10-00 | EXTENSION, WIRE LEAD | 1 | AP |
| 2 | 689-82575-14-00 | ENGINE STOP SWITCH ASSY | 1 | AP |
| 3 | 682-82556-00-00 | .LANYARD, STOP SWITCH | 1 | |
| 4 | 689-8257Y-00-00 | .CAP | 1 | |
| 5 | 6A0-82553-20-00 | EXTENSION, WIRE LEAD | 1 | AP |
| 6 | 689-82550-11-00 | ENGINE STOP SWITCH ASSY | 1 | AP |
| 7 | 6A0-82553-20-00 | EXTENSION, WIRE LEAD | 1 | AP |
| 8 | 6G8-W4537-00-00 | WELL-TYPE EXHAUST KIT | 1 | AP |
| 9 | 6G8-14611-00-00 | .PIPE, EXHAUST 1 | 1 | |
| 10 | 6G8-44391-10-00 | .NIPPLE, HOSE | 1 | |
| 11 | 6G8-45375-10-00 | .DAMPER, SEAL | 1 | |

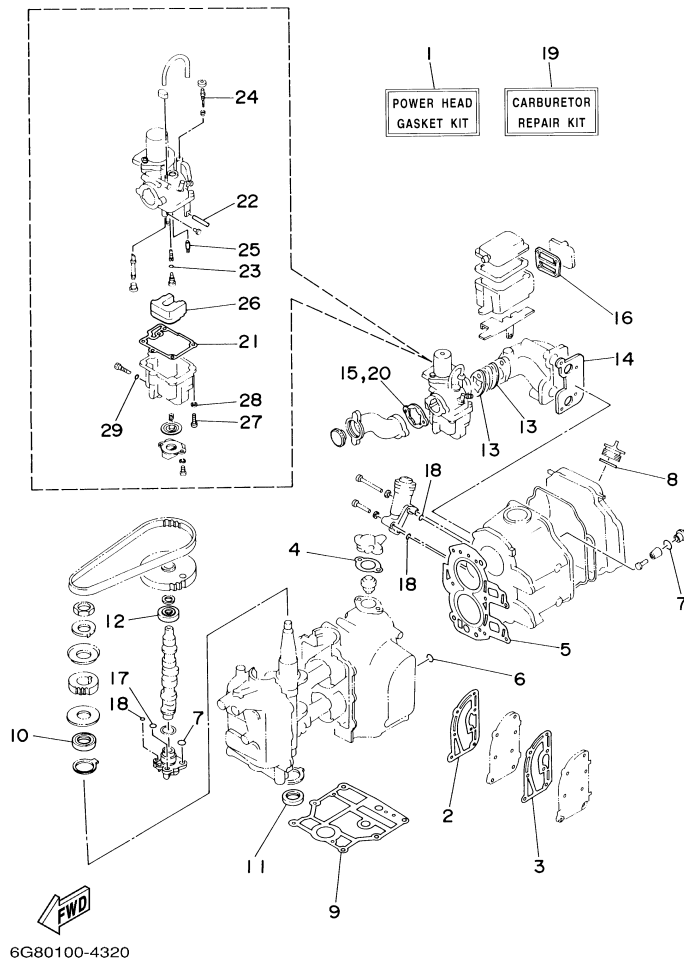
Part Notes

T9.9ELRB 2003 / OPTIONAL PARTS

| PART NUMBER | NOTE TEXT |
|---|--|
| 682-82556-00-00  | OEM: This part number is among the Top 100 Most Popular Marine Maintenance Parts as of March 2014. |

©2014 Yamaha Motor Corporation, U.S.A. All rights reserved.

T9.9ELRB 2003 / REPAIR KIT 1



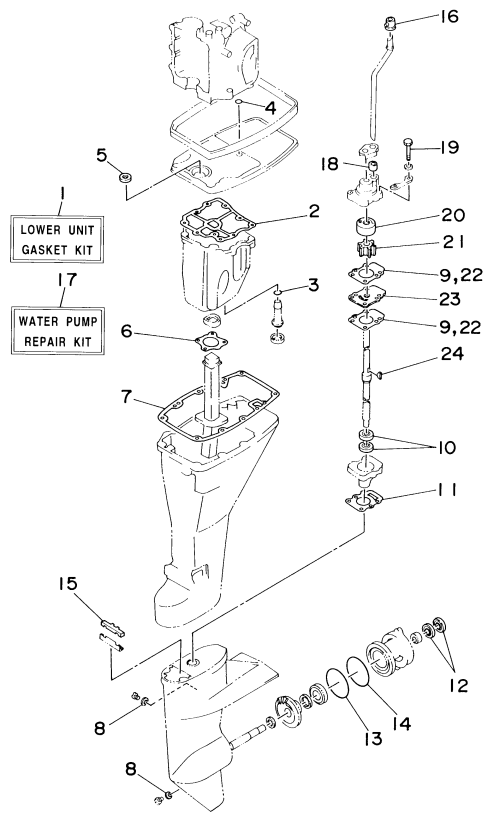
©2014 Yamaha Motor Corporation, U.S.A. All rights reserved.

Part List

T9.9ELRB 2003 / REPAIR KIT 1

| REF - NO | PART NUMBER | PART NAME | QUANTITY | REMARKS |
|----------------|-----------------|---------------------------------|----------|---------|
| 1 | 6G8-W0001-A3-00 | POWER HEAD GASKET KIT | 1 | |
| 2 | 6G8-41112-02-00 | .GASKET, EXHAUST INNER COVER | 1 | |
| 3 | 6G8-41114-00-00 | .GASKET, EXHAUST OUTER COVER | 1 | |
| 4 | 6G8-12414-A0-00 | .GASKET, COVER | 1 | |
| 5 | 6G8-11181-A1-00 | .GASKET, CYLINDER HEAD 1 | 1 | |
| 6 | 93210-11M59-00 | .O-RING | 1 | |
| 7 | 93210-13M63-00 | .O-RING | 3 | |
| 8 | 93210-24M79-00 | .O-RING | 1 | |
| 9 | 6G8-11351-A0-00 | .GASKET, CYLINDER | 1 | |
| 10 | 93102-30M22-00 | .OIL SEAL | 1 | |
| 11 | 93101-25M24-00 | .OIL SEAL | 1 | |
| 12 | 93102-18M21-00 | .OIL SEAL | 1 | |
| 13 | 6G8-13646-A0-00 | .GASKET, MANIFOLD 2 | 2 | |
| 14 | 6G8-13645-00-00 | .GASKET, MANIFOLD 1 | 1 | |
| 15 | 6G8-14198-A0-00 | .GASKET | 1 | |
| 16 | 6G8-15374-00-00 | .GASKET, BREATHER | 1 | |
| 17 | 93210-10M61-00 | .O-RING | 1 | |
| 18 | 93210-09M01-00 | .O-RING | 3 | |
| 19 | 6G8-W0093-03-00 | CARBURETOR REPAIR KIT | 1 | |
| 20 | 6G8-14198-A0-00 | .GASKET | 1 | |
| 21 | 6G8-14384-01-00 | .GASKET, FLOAT CHAMBER | 1 | |
| 22 | 647-14386-00-00 | .PIN, FLOAT | 1 | |
| 23 | 654-14198-00-00 | .GASKET | 1 | |
| 24 | 6G8-14323-00-00 | .SCREW, AIR ADJUSTING | 1 | |
| 25 | 6G8-14392-00-00 | .VALVE, NEEDLE | 1 | |
| 26 | 6G8-14385-00-00 | .FLOAT | 1 | |
| 27 | 98580-04016-00 | .SCREW, PAN HEAD | 1 | |
| 28 | 92990-04100-00 | .WASHER, SPRING | 1 | |
| 29 | 5Y1-14397-00-00 | .O-RING | 1 | |

T9.9ELRB 2003 / REPAIR KIT 2




6G80100-4330


Part List

T9.9ELRB 2003 / REPAIR KIT 2

| REF - NO | PART NUMBER | PART NAME | QUANTITY | REMARKS |
|----------------|-----------------|--------------------------------|----------|---------|
| 1 | 6G8-W0001-C6-00 | LOWER UNIT GASKET KIT | 1 | |
| 2 | 6G8-15312-A1-00 | .GASKET, OIL PAN | 1 | |
| 3 | 93210-16M64-00 | .O-RING | 1 | |
| 4 | 93210-08M60-00 | .O-RING | 1 | |
| 5 | 93101-13M27-00 | .O-RING | 1 | |
| 6 | 6G8-41133-A0-00 | .GASKET, EXHAUST MANIFOLD 1 | 1 | |
| 7 | 6G8-45113-A1-00 | .GASKET, UPPER CASING | 1 | |
| 8 | 90430-08020-00 | .GASKET | 3 | |
| 9 | 682-44315-A0-00 | .GASKET, WATER PUMP | 2 | |
| 10 | 93101-20048-00 | .OIL SEAL | 2 | |
| 11 | 6G8-45315-A0-00 | .PACKING, LOWER CASING | 1 | |
| 12 | 93101-17054-00 | .OIL SEAL | 2 | |
| 13 | 93210-74M68-00 | .O-RING | 1 | |
| 14 | 93210-74316-00 | .O-RING | 1 | |
| 15 | 682-45375-01-00 | .DAMPER, SEAL | 1 | |
| 16 | 626-44365-01-00 | .DAMPER, WATER SEAL | 1 | |
| 17 | 682-W0078-A2-00 | WATER PUMP REPAIR KIT | 1 | |
| 18 | 682-44365-00-00 | .DAMPER, WATER SEAL | 1 | |
| 19 | 97095-06045-00 | .BOLT | 4 | |
| 20 | 682-44322-00-00 | .INSERT, CARTRIDGE | 1 | |
| 21 | 682-44352-01-00 | .IMPELLER | 1 | |
| 22 | 682-44315-A0-00 | .GASKET, WATER PUMP | 2 | |
| 23 | 682-44323-00-00 | .OUTER PLATE, CARTRIDGE | 1 | |
| 24 | 90280-03024-00 | .KEY, WOODRUFF | 1 | |

Part Notes

T9.9ELRB 2003 / REPAIR KIT 2

| PART NUMBER | NOTE TEXT |
|--|--|
| 90430-08020-00  | OEM: This part number is among the Top 100 Most Popular Marine Maintenance Parts as of March 2014. |

©2014 Yamaha Motor Corporation, U.S.A. All rights reserved.

©2014 Yamaha Motor Corporation, U.S.A. All rights reserved.