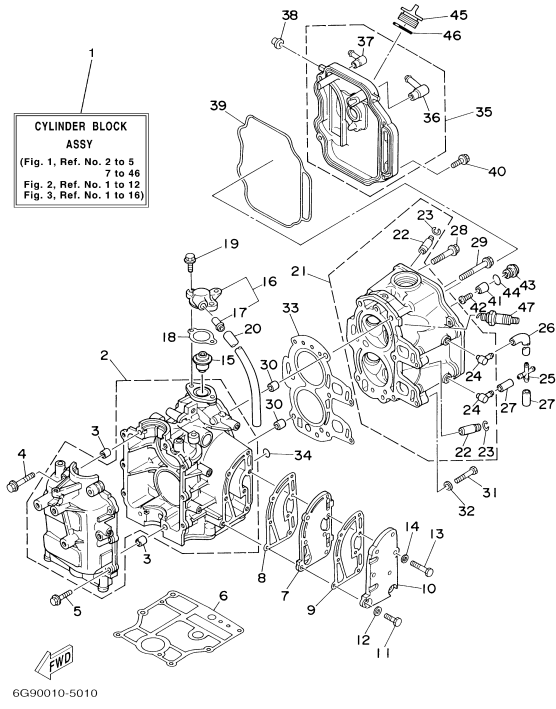


T9.9ELHX 1999 / CYLINDER CRANKCASE

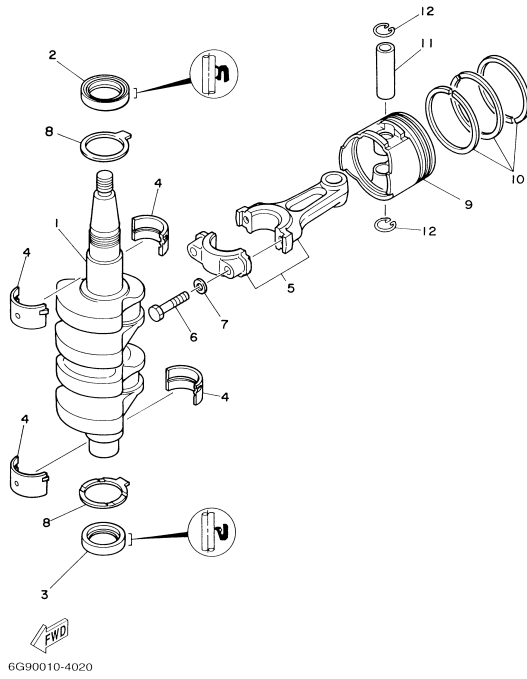


Part List

T9.9ELHX 1999 / CYLINDER CRANKCASE

REF - NO	PART NUMBER	PART NAME	QUANTITY	REMARKS
1	6G8-W0090-33-1S	CRANK CYLINDER ASSY	1	
2	6G8-15100-05-1S	CRANKCASE ASSY	1	
3	99510-10114-00	PIN, DOWEL	2	
4	90119-08M18-00	BOLT, WITH WASHER	4	
5	90119-06M12-00	BOLT, WITH WASHER	6	
6	6G8-11351-A0-00	GASKET, CYLINDER	1	
7	6G8-41111-02-1S	INNER COVER, EXHAUST	1	
8	6G8-41112-02-00	GASKET, EXHAUST INNER COVER	1	
9	6G8-41114-00-00	GASKET, EXHAUST OUTER COVER	1	
10	6G8-41113-10-1S	OUTER COVER, EXHAUST	1	
11	97013-06025-00	BOLT	2	
12	92903-06600-00	WASHER, PLATE	2	
13	97013-06030-00	BOLT	5	
14	92903-06600-00	WASHER, PLATE	5	
15	6G8-12411-02-00	THERMOSTAT	1	
16	6G8-12413-00-1S	COVER, THERMOSTAT	1	
17	6E5-24377-00-00	.PIPE, JOINT 2	1	
18	6G8-12414-A0-00	.GASKET, COVER	1	
19	97513-06520-00	BOLT, WITH WASHER	2	
20	90445-11M66-00	.HOSE (L410)	1	
21	6G8-11111-03-1S	HEAD, CYLINDER 1	1	
22	6G8-11133-10-00	.GUIDE, VALVE 1	4	
23	93450-09M01-00	.CIRCLIP	4	
24	676-11372-00-00	.NIPPLE, HOSE	2	
25	6G9-24379-00-00	PIPE, JOINT 4	1	
26	6G8-12481-01-00	PIPE 1	1	
27	90445-09220-00	HOSE (L30)	2	
28	90105-08M37-00	BOLT, FLANGE	3	
29	90105-08M36-00	BOLT, FLANGE	3	
30	99510-10114-00	PIN, DOWEL	2	
31	97013-06035-00	BOLT	2	
32	92903-06600-00	WASHER, PLATE	2	
33	6G8-11181-A1-00	GASKET, CYLINDER HEAD 1	1	
34	93210-11M59-00	O-RING	1	
35	6G8-11191-01-1S	COVER, CYLINDER HEAD 1	1	
36	6G8-15373-00-00	.PIPE, BREATHER	1	
37	676-11372-00-00	.NIPPLE, HOSE	1	
38	6G8-81336-00-00	GROMMET	2	
39	6G8-11356-00-00	SEAL, CYLINDER 2	1	
40	97513-06520-00	BOLT, WITH WASHER	4	
41	6G8-11325-00-00	ANODE	1	
42	97880-05025-00	SCREW, PAN HEAD	1	
43	6G8-11197-00-00	PLUG, BLIND	1	
44	93210-13M63-00	.O-RING	1	
45	6G8-15363-00-00	PLUG, OIL	1	
46	93210-24M79-00	.O-RING	1	
47	NGK-CR6HS-00-00	PLUG SPARK (NGK CR6HS)	2	

T9.9ELHX 1999 / CRANKSHAFT PISTON

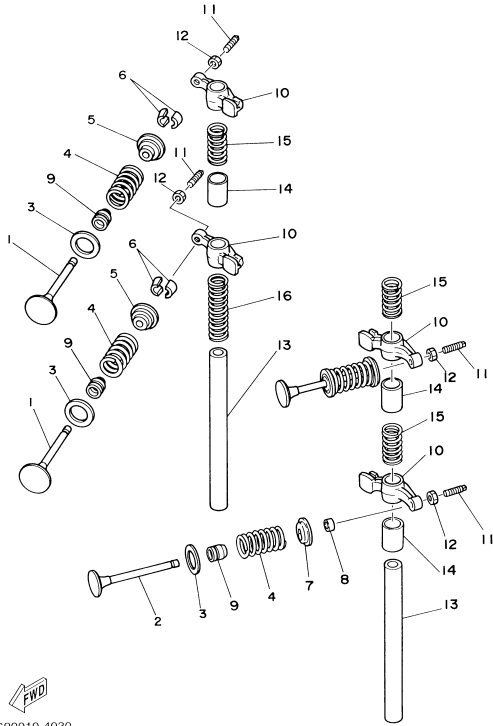


Part List

T9.9ELHX 1999 / CRANKSHAFT PISTON

REF - NO	PART NUMBER	PART NAME	QUANTITY	REMARKS
1	6G8-11411-04-00	CRANKSHAFT	1	
2	93102-30M22-00	.OIL SEAL	1	
3	93101-25M24-00	OIL SEAL	1	
4	6G8-11416-00-00	PLANE BEARING, CRANKSHAFT 1	4	UR BROWN
4	6G8-11416-10-00	PLANE BEARING, CRANKSHAFT 1	4	UR BLACK
4	6G8-11416-20-00	PLANE BEARING, CRANKSHAFT 1	4	UR BLUE
5	6G8-11650-03-00	CONNECTING ROD ASSY	2	
6	6G8-11654-00-00	BOLT, CONNECTING ROD	4	
7	90201-06M00-00	WASHER, PLATE	4	
8	6G8-11426-00-00	PLANE BEARING, CRANKSHAFT 1	2	
9	6G8-11636-03-00	PISTON (0.50MM O/S)	2	AP
9	6G8-11635-03-00	PISTON (0.25MM O/S)	2	AP
9	6G8-11631-03-96	PISTON (STD)	2	
10	6G8-11610-02-00	PISTON RING SET (STD)	2	
10	6G8-11610-22-00	PISTON RING SET (0.50MM O/S)	2	AP
10	6G8-11610-12-00	PISTON RING SET (0.25MM O/S)	2	AP
11	634-11633-00-00	PIN, PISTON	2	
12	93450-15023-00	CIRCLIP	4	

T9.9ELHX 1999 / VALVE



6G90010-4030

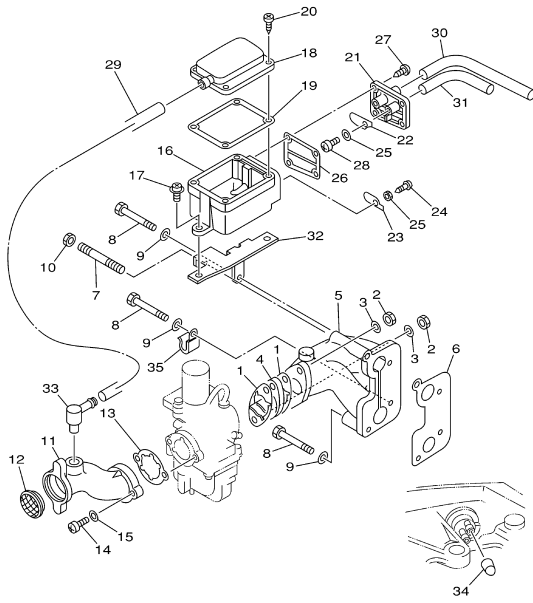
©2014 Yamaha Motor Corporation, U.S.A. All rights reserved.

Part List

T9.9ELHX 1999 / VALVE

REF - NO	PART NUMBER	PART NAME	QUANTITY	REMARKS
1	6G8-12111-00-00	VALVE, INTAKE	2	
2	6G8-12121-01-00	VALVE, EXHAUST	2	
3	6G8-12116-00-00	SEAT, VALVE SPRING	4	
4	6G8-12113-00-00	SPRING, VALVE INNER	4	
5	6G8-12117-00-00	RETAINER, VALVE SPRING	2	
6	30X-12118-00-00	LOCK, VALVE SPRING RETAINER	4	
7	6G8-12117-10-00	RETAINER, VALVE SPRING	2	
8	6G8-12153-00-00	LIFTER, VALVE	2	
9	51Y-12119-00-00	SEAL, VALVE STEM	4	
10	6G8-12151-00-00	ARM, VALVE ROCKER	4	
11	6G8-12159-00-00	SCREW, VALVE ADJUSTING	4	
12	6G8-12158-00-00	NUT, LOCK	4	
13	6G8-12146-00-00	SHAFT, ROCKER	2	
14	90387-13M56-00	COLLAR	3	
15	90501-12M40-00	SPRING, COMPRESSION	3	
16	90501-12M41-00	SPRING, COMPRESSION	1	

T9.9ELHX 1999 / INTAKE




6G80110-9040

©2014 Yamaha Motor Corporation, U.S.A. All rights reserved.


Part List

T9.9ELHX 1999 / INTAKE

REF - NO	PART NUMBER	PART NAME	QUANTITY	REMARKS
1	6G8-13646-A0-00	GASKET, MANIFOLD 2	2	
2	95380-06700-00	NUT	2	
3	92990-06600-00	WASHER, PLATE	2	
4	6G8-13647-00-00	GASKET, MANIFOLD 3	1	
5	6G8-13641-01-94	MANIFOLD 1	1	
6	6G8-13645-00-00	GASKET, MANIFOLD 1	1	
7	90116-06M15-00	BOLT, STUD	1	
8	97095-06045-00	.BOLT	3	
9	92995-06600-00	WASHER	3	
10	95380-06700-00	NUT	1	
11	6G8-14479-10-94	FUNNEL	1	
12	6G8-14478-00-00	LOUVER	1	
13	6G8-14198-A0-00	.GASKET	1	
14	97880-05016-00	SCREW, PAN HEAD	2	
15	92990-05600-00	WASHER, PLATE	2	
16	6G8-15358-00-00	SEPARATOR, OIL	1	
17	90159-06M05-00	SCREW, WITH WASHER	2	
18	6G8-15368-00-94	SEPERATOR, OIL	1	
19	6G8-15369-00-00	GASKET, OIL SEAL HOUSING	1	
20	97780-40512-00	SCREW, TAPPING	4	
21	6G8-15371-00-94	BREATHER	1	
22	6G8-15346-00-00	BREATHER 1	1	
23	6G8-15347-00-00	BREATHER 2	1	
24	97780-40512-00	SCREW, TAPPING	1	
25	92990-04200-00	WASHER	2	
26	6G8-15374-00-00	GASKET, BREATHER	1	
27	97780-40512-00	SCREW, TAPPING	4	
28	98507-04010-00	SCREW, PAN HEAD	1	
29	6G8-15393-10-00	PIPE, BREATHER 2	1	
30	90445-11M52-00	HOSE (L150)	1	
31	90445-09065-00	HOSE (L90)	1	
32	6G8-15376-00-00	HOLDER, GUIDE	1	
33	6G8-15373-00-00	PIPE, BREATHER	1	
34	6G8-13448-00-00	CAP	1	
35	90465-08M75-00	CLAMP	1	

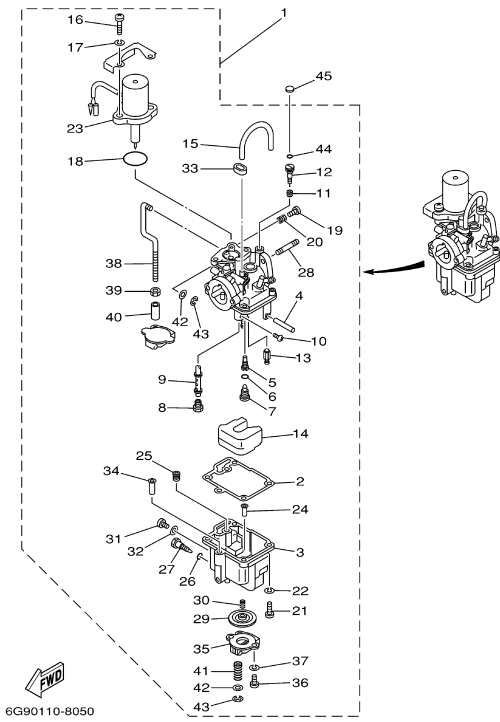
Part Notes

T9.9ELHX 1999 / INTAKE

PART NUMBER	NOTE TEXT
92990-06600-00 	OEM: This part number is among the Top 100 Most Popular Marine Maintenance Parts as of March 2014.

©2014 Yamaha Motor Corporation, U.S.A. All rights reserved.

T9.9ELHX 1999 / CARBURETOR



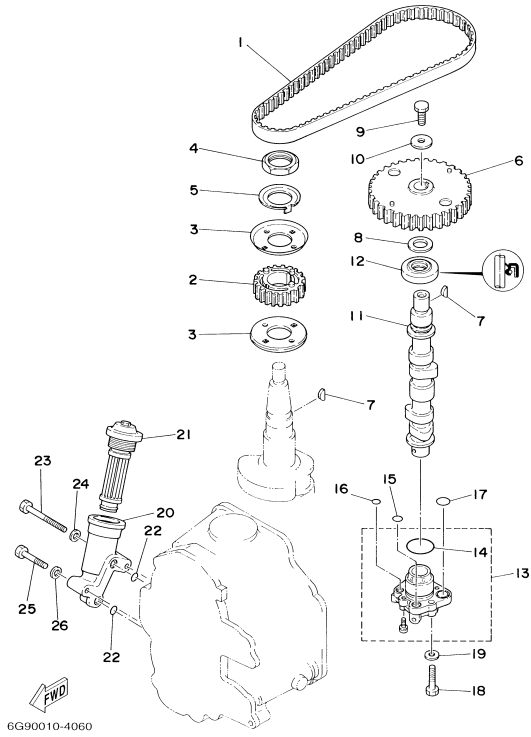
©2014 Yamaha Motor Corporation, U.S.A. All rights reserved.

Part List

T9.9ELHX 1999 / CARBURETOR

REF - NO	PART NUMBER	PART NAME	QUANTITY	REMARKS
1	6G8-14301-20-00	CARBURETOR ASSY 1	1	
2	6G8-14384-01-00	.GASKET, FLOAT CHAMBER	1	
3	6G8-14381-02-00	.BODY, FLOAT CHAMBER	1	
4	647-14386-00-00	.PIN, FLOAT	1	
5	6G8-14342-24-00	.JET, PILOT (#48)	1	
6	654-14198-00-00	.GASKET	1	
7	6G8-14345-00-00	.PLUG, MAIN NOZZLE	1	
8	648-14343-43-00	.JET, MAIN (#86)	1	
9	6G8-14341-20-00	.NOZZLE, MAIN	1	
10	6G8-14216-00-00	.SCREW	1	
11	647-14334-00-00	.SPRING	1	
12	6G8-14323-20-00	.SCREW, AIR ADJUSTING	1	
13	6G8-14392-00-00	.VALVE, NEEDLE	1	
14	6G8-14385-00-00	.FLOAT	1	
15	6G8-14197-01-00	.PIPE	1	
16	98580-06018-00	.SCREW, PAN HEAD	2	
17	92990-06100-00	.WASHER, SPRING	2	
18	1HV-14147-00-00	.O-RING	1	
19	664-14321-01-00	.SCREW, THROTTLE	1	
20	646-14212-00-00	.SPRING, PILOT ADJUSTING	1	
21	98580-04016-00	.SCREW, PAN HEAD	4	
22	92990-04100-00	.WASHER, SPRING	4	
23	6G8-1410A-01-00	.STARTER SET	1	
24	6G8-14827-00-00	.FILTER	1	
25	6A4-14344-30-00	.JET, STARTER (#60)	1	
26	5Y1-14397-00-00	.O-RING	1	
27	6G8-14383-00-00	.SCREW, DRAIN	1	
28	90116-06M26-00	.BOLT, STUD	2	
29	6G8-14368-02-00	.DIAPHRAGM ASSEMBLY	1	
30	6G8-14275-01-00	.SPRING	1	
31	97890-05006-00	.SCREW, PAN HEAD	1	
32	646-14198-01-00	.GASKET	1	
33	6G8-14349-00-00	.PIPE	1	
34	6G8-14217-00-00	.VALVE, CHOKE	1	
35	6G8-14293-03-00	.COVER 1	1	
36	98580-04010-00	.SCREW, PAN HEAD	2	
37	92990-04100-00	.WASHER, SPRING	2	
38	6G8-14379-00-00	.ROD, STARTER	1	
39	98813-03100-00	.NUT	1	
40	6G8-14229-00-00	.SHAFT, CHOKE	1	
41	6G8-14286-01-00	.SPRING	1	
42	6G8-14357-00-00	.WASHER, PLAIN	2	
43	389-14137-00-00	.CLIP	2	
44	5H0-14397-00-00	.O-RING	1	
45	6G8-1432A-00-00	.PLUG	1	

T9.9ELHX 1999 / OIL PUMP



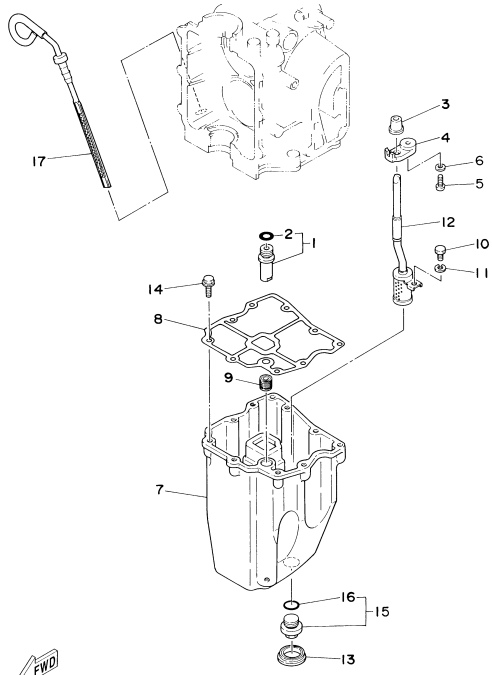
©2014 Yamaha Motor Corporation, U.S.A. All rights reserved.

Part List

T9.9ELHX 1999 / OIL PUMP

REF - NO	PART NUMBER	PART NAME	QUANTITY	REMARKS
1	6G8-46241-00-00	V-BELT	1	
2	6G8-11536-00-94	GEAR, DRIVE	1	
3	6G8-11557-00-00	WASHER 1	2	
4	90170-24M09-00	NUT	1	
5	6G8-11587-00-00	WASHER, LOCK	1	
6	6G8-11537-00-94	GEAR, DRIVEN	1	
7	90280-03M01-00	.KEY, WOODRUFF	2	
8	90201-13201-00	WASHER, PLATE	1	
9	97013-06016-00	BOLT	1	
10	90201-06M94-00	WASHER, PLATE	1	
11	6G8-12171-00-00	CAMSHAFT 1	1	
12	93102-18M21-00	.OIL SEAL	1	
13	6G8-13300-02-00	OIL PUMP ASSY	1	
14	93210-27ME3-00	.O-RING	1	
15	93210-10M61-00	.O-RING	1	
16	93210-09M01-00	.O-RING	1	
17	93210-13M63-00	.O-RING	2	
18	97095-06025-00	BOLT	3	
19	92995-06600-00	WASHER	3	
20	6G8-13442-00-1S	HOUSING, OIL FILTER	1	
21	6G8-13440-00-00	ELEMENT ASSY,OIL CLEANER	1	
22	93210-09M01-00	.O-RING	2	
23	97013-06050-00	BOLT	1	
24	92903-06600-00	WASHER, PLATE	1	
25	97013-06030-00	BOLT	1	
26	92903-06600-00	WASHER, PLATE	1	

T9.9ELHX 1999 / OIL PAN



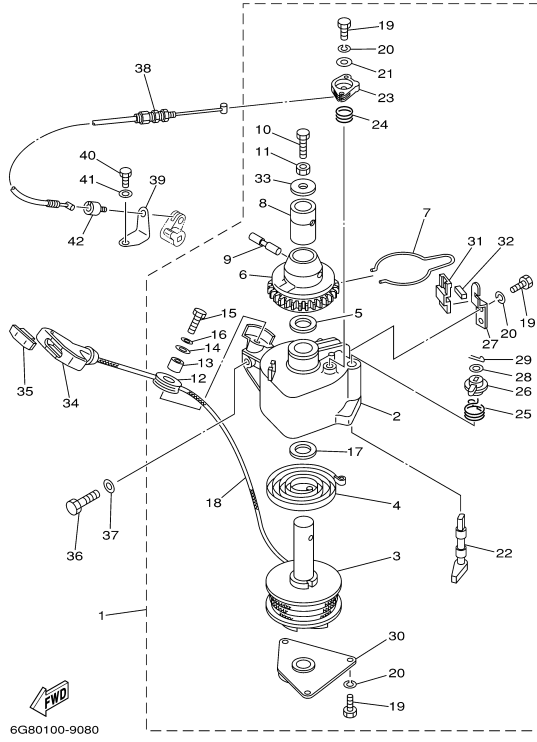

6G90010-4070

Part List

T9.9ELHX 1999 / OIL PAN

REF - NO	PART NUMBER	PART NAME	QUANTITY	REMARKS
1	6G8-11575-00-00	RELIEF VALVE ASSY	1	
2	93210-12M62-00	.O-RING	1	
3	6G8-15379-00-00	SEAL, CRANKCASE	1	
4	6G8-13487-00-00	GUIDE, OIL HOSE	1	
5	97880-05012-00	SCREW, PAN HEAD	1	
6	92990-05600-00	WASHER, PLATE	1	
7	6G8-15311-03-0D	OIL PAN	1	
8	6G8-15312-A1-00	.GASKET, OIL PAN	1	
9	6G8-45127-00-00	SEAL	1	
10	97013-06010-00	BOLT	1	
11	92903-06100-00	WASHER, SPRING	1	
12	6G8-13421-00-00	STRAINER 2	1	
13	6G8-15316-00-00	DAMPER, ENGINE MOUNT 1	1	
14	90105-06M33-00	BOLT, FLANGE	9	
15	6G8-13471-00-00	PLUG, DRAIN	1	
16	93210-16M64-00	.O-RING	1	
17	6G8-15362-04-00	PLUG, OIL LEVEL	1	

T9.9ELHX 1999 / STARTER T9.9MH



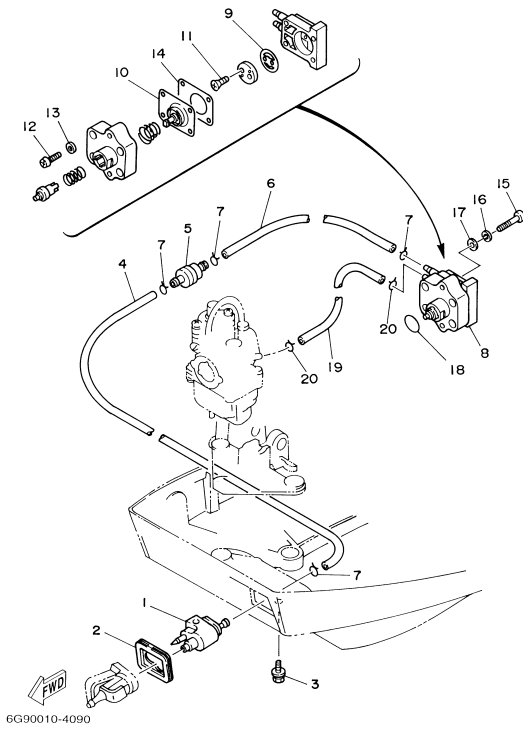
©2014 Yamaha Motor Corporation, U.S.A. All rights reserved.

Part List

T9.9ELHX 1999 / STARTER T9.9MH

REF - NO	PART NUMBER	PART NAME	QUANTITY	REMARKS
1	6G8-15710-10-00	STARTER ASSY	1	(M)
2	6G8-15711-00-00	.CASE, STARTER	1	(M)
3	6G8-15714-00-00	.DRUM, SHEAVE	1	(M)
4	6G8-15713-00-00	.SPRING, STARTER	1	(M)
5	6G8-15719-00-00	.WASHER, THRUST	1	(M)
6	6G8-15723-00-00	.PULLEY, STARTER	1	(M)
7	6G8-15715-00-00	.SPRING, FRICTION	1	(M)
8	6G8-15754-00-00	.BUSH 2	1	(M)
9	6G8-15727-00-00	.PIN	1	(M)
10	6G8-15768-00-00	.BOLT	1	(M)
11	95333-08700-00	.NUT	1	(M)
12	6F5-15752-00-00	.ROLLER, WIRE	1	(M)
13	663-15753-00-00	.BUSH	1	(M)
14	663-15791-00-00	.WASHER, LOCK	1	(M)
15	97305-06025-00	.BOLT	1	(M)
16	92903-06100-00	.WASHER, SPRING	1	(M)
17	6G8-15739-00-00	.WASHER, THRUST	1	(M)
18	90580-50M01-00	.ROPE, STARTER	1	(M)
19	97322-05012-00	.BOLT	6	(M)
20	92902-05100-00	.WASHER, SPRING	6	(M)
21	6G8-15726-00-00	.WASHER, FLAT	1	(M)
22	6G8-15794-00-00	.STOPPER	1	(M)
23	6G8-15746-00-00	.ARM	1	(M)
24	6G8-15767-00-00	.SPRING	1	(M)
25	6G8-15734-00-00	.SPRING, RETURN	1	(M)
26	6G8-15747-00-00	.LINK	1	(M)
27	6G8-15716-00-00	.PLATE, DRIVE	1	(M)
28	92902-06200-00	.WASHER	1	(M)
29	91490-16012-00	.PIN, COTTER	1	(M)
30	6G8-15712-00-00	.COVER, STARTER CASE	1	(M)
31	6G8-15779-00-00	.COVER	1	(M)
32	6G8-15789-00-00	.DAMPER	1	(M)
33	6G8-15742-00-00	.WASHER, DRIVE PAWL	1	(M)
34	6G1-15755-00-00	.HANDLE, STARTER	1	(M)
35	689-15779-01-00	COVER	1	(M)
36	97075-08030-00	BOLT	3	(M)
37	92995-08600-00	WASHER	3	(M)
38	6G8-15770-00-00	CABLE COMP., STARTER STOP	1	(M)
39	6G8-15771-00-00	STAY 1	1	(M)
40	97095-06012-00	BOLT	1	(M)
41	92995-06600-00	WASHER	1	(M)
42	6G8-15772-00-00	STAY 2	1	(M)

T9.9ELHX 1999 / FUEL



©2014 Yamaha Motor Corporation, U.S.A. All rights reserved.




Part List

T9.9ELHX 1999 / FUEL

REF - NO	PART NUMBER	PART NAME	QUANTITY	REMARKS
1	6G1-24304-02-00	FUEL PIPE JOINT COMP. 1	1	
2	6G8-24329-00-00	SEAL	1	
3	97595-06520-00	BOLT, WITH WASHER	1	
4	6G8-24311-00-00	PIPE, FUEL 1	1	
5	646-24251-02-00	.STRAINER 1	1	
6	90445-09065-00	HOSE (L90)	1	
7	90467-08004-00	CLIP	4	
8	6G8-24410-03-00	FUEL PUMP ASSY	1	
9	6G8-24421-00-00	.VALVE, CHECK	1	
10	6G8-24411-02-00	.DIAPHRAGM	1	
11	98780-03008-00	.SCREW, FLAT HEAD	2	
12	98503-04014-00	.SCREW, PAN HEAD	4	
13	92903-04600-00	.WASHER	4	
14	6G8-24471-00-00	.DIAPHRAGM	1	
15	97880-06025-00	SCREW, PAN HEAD	2	
16	92990-06100-00	..WASHER, SPRING	2	
17	92990-06600-00	WASHER, PLATE	2	
18	93210-20M65-00	.O-RING	1	
19	90445-09105-00	HOSE (L300)	1	
20	90467-08004-00	CLIP	2	

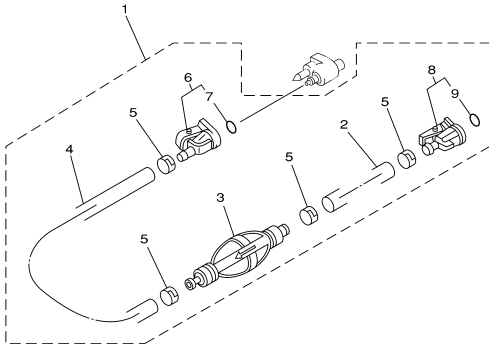
Part Notes

T9.9ELHX 1999 / FUEL

PART NUMBER	NOTE TEXT
646-24251-02-00	 OEM: This part number is among the Top 100 Most Popular Marine Maintenance Parts as of March 2014.
6G8-24410-03-00	 OEM: The new pump has two additional barbs installed in the base so that cooling water from the overboard water pump indicator can be routed through the fuel pump to prevent vapor lock condit
92990-06600-00	 OEM: This part number is among the Top 100 Most Popular Marine Maintenance Parts as of March 2014.

©2014 Yamaha Motor Corporation, U.S.A. All rights reserved.

T9.9ELHX 1999 / FUEL 2

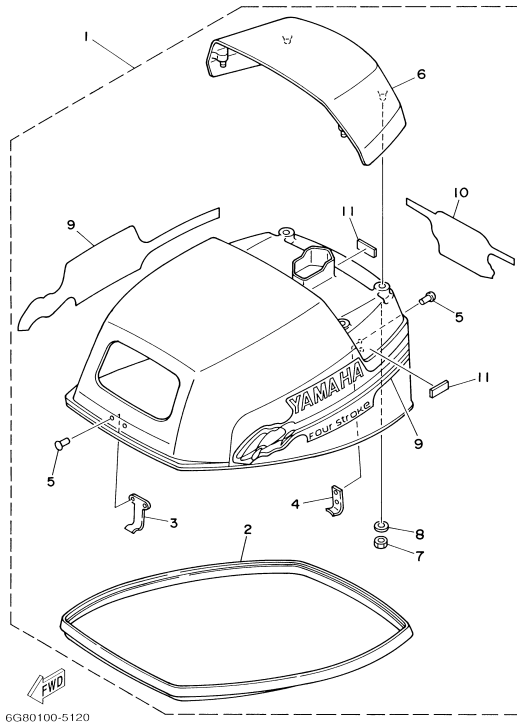


Part List

T9.9ELHX 1999 / FUEL 2

REF - NO	PART NUMBER	PART NAME	QUANTITY	REMARKS
1	6Y1-24306-51-00	FUEL PIPE COMP. 1	1	AP
2	90445-11M06-00	.HOSE (L2050)	1	
3	6Y1-24360-51-00	.PRIMER PUMP ASSY	1	
4	90445-11M05-00	.HOSE (L850)	1	
5	650-24351-51-00	.BAND 1	4	
6	6G1-24305-01-00	.FUEL PIPE JOINT COMP 2	1	
7	93210-08287-00	..O-RING	1	
8	6Y1-24305-02-00	.FUEL PIPE JOINT COMP 2	1	
9	93210-08287-00	..O-RING	1	

T9.9ELHX 1999 / TOP COWLING



6G80100-5120

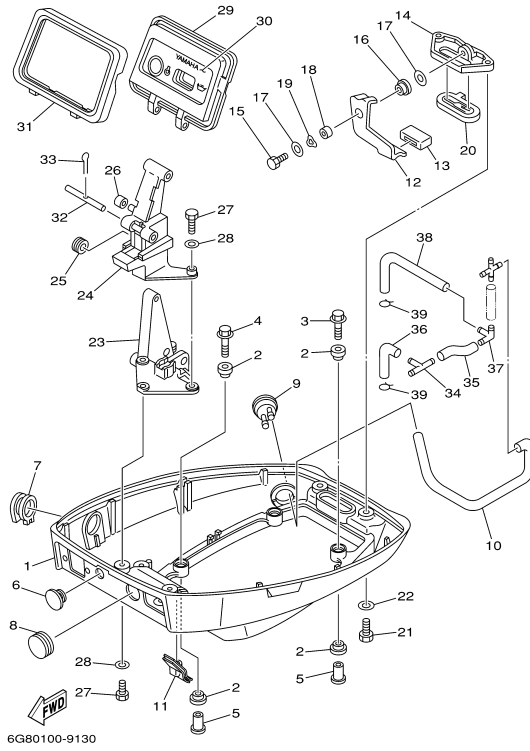
©2014 Yamaha Motor Corporation, U.S.A. All rights reserved.

Part List

T9.9ELHX 1999 / TOP COWLING

REF - NO	PART NUMBER	PART NAME	QUANTITY	REMARKS
1	6G8-42610-51-4D	TOP COWLING ASSY	1	
2	6G8-42615-01-00	.SEAL	1	
3	6G8-42651-00-00	.HOOK	1	
4	6G8-42652-00-00	.HOOK	1	
5	90266-04M04-00	.RIVET	4	
6	6G8-42613-01-4D	.MOLDING, AIR DUCT	1	
7	95303-06700-00	.NUT	4	
8	92903-06200-00	.WASHER, PLAIN	4	
9	6G9-W0070-13-00	.GRAPHIC SET	1	
10	6G8-42678-51-00	.GRAPHIC, REAR	1	
11	6G8-42662-00-00	.DAMPER	3	

T9.9ELHX 1999 / BOTTOM COWLING



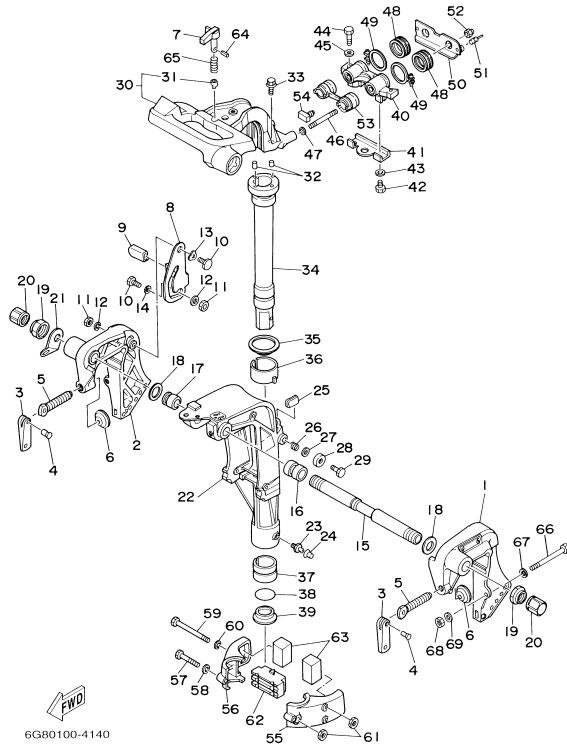
©2014 Yamaha Motor Corporation, U.S.A. All rights reserved.

Part List

T9.9ELHX 1999 / BOTTOM COWLING

REF - NO	PART NUMBER	PART NAME	QUANTITY	REMARKS
1	6G8-42711-02-4D	COWLING, BOTTOM 1	1	
2	90480-09M35-00	GROMMET	8	
3	90119-06M56-00	BOLT, WITH WASHER	2	
4	90119-06M55-00	BOLT, WITH WASHER	2	
5	90387-06M15-00	COLLAR	4	
6	90480-17165-00	GROMMET	1	ER (E)
7	6G8-42724-00-00	GROMMET	1	
8	6G8-42724-40-00	GROMMET	1	UR EH (E)
8	6G8-42725-10-00	GROMMET	1	UR MH (M)
9	6G8-44391-00-00	NIPPLE, HOSE	1	
10	90445-09163-00	HOSE (L235)	1	
11	6G8-42727-00-00	GROMMET	1	
12	6G8-42815-00-00	LEVER, CLAMP	1	
13	6G8-42831-00-00	BUSHING	1	
14	6G8-42811-00-94	STAY	1	
15	97013-06016-00	BOLT	1	
16	90386-08M49-00	BUSH	1	
17	90201-06M31-00	.WASHER, PLATE	2	
18	90387-06M72-00	COLLAR	1	
19	90206-08M13-00	WASHER, WAVE	1	
20	6G8-42748-00-00	GROMMET	1	
21	97095-06016-00	BOLT	2	
22	92995-06600-00	WASHER	2	
23	6G8-42738-00-94	PLATE, FITTING	1	
24	6G8-42719-00-94	PANEL, FRONT LOWER	1	
25	90480-19031-00	GROMMET	1	
26	90445-05ME6-00	HOSE (L8)	1	
27	97095-06016-00	BOLT	4	
28	92995-06600-00	WASHER	4	
29	6G8-42614-02-00	PANEL, FRONT UPPER	1	UR MH (M)
29	6G8-42614-12-00	PANEL, FRONT UPPER	1	UR EH,ER (E)
30	6G8-42677-00-00	GRAPHIC, FRONT	1	UR MH (M)
30	6G8-42677-10-00	GRAPHIC, FRONT	1	UR EH (E)
30	6G8-42677-20-00	GRAPHIC, FRONT	1	UR ER (E)
31	6G8-42629-02-00	SEAL	1	
32	6G8-42755-00-00	HINGE, COWLING	1	
33	91490-16010-00	PIN. COTTER	1	
34	6G8-24379-00-00	PIPE, JOINT 4	1	
35	90445-10M78-00	HOSE (L50)	1	
36	6G8-12476-00-00	PIPE 6	1	
37	6G8-24378-01-00	PIPE, JOINT 3	1	
38	6G8-12485-00-00	PIPE 5	1	
39	90467-10M04-00	CLIP	2	

T9.9ELHX 1999 / BRACKET 1



©2014 Yamaha Motor Corporation, U.S.A. All rights reserved.


Part List

T9.9ELHX 1999 / BRACKET 1

REF - NO	PART NUMBER	PART NAME	QUANTITY	REMARKS
1	6G8-43111-04-4D	BRACKET, CLAMP 1	1	
2	6G8-43112-04-4D	BRACKET, CLAMP 2	1	
3	6E0-43118-01-00	HANDLE, TRANSOM CLAMP	2	
4	90243-04M01-00	PIN	2	
5	6E7-43116-00-00	SCREW, TRANSOM CLAMP	2	
6	648-43114-01-00	PAD, TRANSOM CLAMP	2	
7	6G8-42561-00-00	KNOB, STEERING LOCK	1	
8	6G8-43181-00-00	LEVER, TILT STOP	1	
9	682-43318-01-00	COVER	1	
10	90109-06M25-00	BOLT	2	
11	95680-06100-00	NUT, U	2	
12	92990-06600-00	WASHER, PLATE	2	
13	90206-10M15-00	WASHER, WAVE	1	
14	682-43339-01-00	WASHER	1	
15	6G8-43131-00-00	BOLT, CLAMP BRACKET	1	
16	90386-22M92-00	BUSH	1	
17	90386-22M93-00	BUSH	1	
18	90201-22M03-00	WASHER, PLATE	2	
19	90185-22043-00	NUT, SELF-LOCKING	2	
20	6G5-43145-00-00	CAP, CLAMP BRACKET	2	
21	6J8-43113-01-00	PLATE, CLAMP BRACKET	1	
22	6G8-43311-15-4D	BRACKET, SWIVEL 1	1	
23	93700-06M03-00	NIPPLE, GREASE	1	
24	663-45119-00-00	CAP, GREASE NIPPLE	1	AP
25	6G8-42528-00-00	PLATE, FRICTION	1	
26	90501-18M00-00	SPRING, COMPRESSION	1	
27	90201-06M31-00	.WASHER, PLATE	1	
28	6G8-43373-00-00	SEAL, DAMPER	1	
29	97095-06025-00	BOLT	1	
30	6G8-42511-02-4D	BRACKET, STEERING	1	
31	6G8-42534-00-00	.PIN, DOWEL	1	
32	93605-15065-00	PIN, DOWEL	2	
33	90119-06M06-00	BOLT, WITH WASHER	2	
34	6G8-42521-10-94	SHAFT, STEERING PIVOT	1	
35	90209-45M09-00	WASHER	1	
36	6G8-42537-00-00	BUSHING, PIVOT SHAFT	1	
37	90386-37M47-00	BUSH	1	
38	93210-37M67-00	O-RING	1	
39	90386-37M48-00	BUSH	1	
40	6G8-44517-00-94	MOUNT RUBBER	1	
41	6G8-44526-00-00	PLATE	1	
42	97095-06012-00	BOLT	2	
43	92995-06600-00	WASHER	2	
44	97095-08030-00	BOLT	2	
45	92995-08600-00	WASHER	2	
46	90116-08M28-00	BOLT, STUD	2	
47	90201-08M12-00	.WASHER, PLATE	2	
48	6G8-44522-00-00	SEAL	2	
49	90460-38M06-00	CLAMP, HOSE	2	
50	6G8-44518-00-00	BRACKET COMP.	1	
51	6G8-44533-00-00	DAMPER, UPPER MOUNT RUBBER	2	
52	90185-08057-00	NUT, SELF-LOCKING	2	
53	6G8-44521-00-00	SEAL	1	
54	6G8-44532-00-00	STOPPER, UPPER MOUNT	1	
55	6G8-44551-01-4D	HOUSING, LOWER MOUNT RUBBER	1	
56	6G8-44552-02-4D	HOUSING, LOWER MOUNT RUBBER	1	
57	97095-06045-00	.BOLT	1	
58	92995-06600-00	WASHER	1	
59	97095-06095-00	BOLT	2	
60	92995-06600-00	WASHER	2	
61	95380-06700-00	NUT	3	
62	6G8-44557-00-00	MOUNT DAMPER, LOWER FRONT	1	
63	682-44555-00-00	MOUNT DAMPER, LOWER SIDE	2	
64	91690-30012-00	.PIN, SPRING	1	
65	90501-10071-00	..SPRING, COMPRESSION	1	
66	90101-08M88-00	BOLT	2	
67	92995-08600-00	WASHER	2	
68	90185-08057-00	NUT, SELF-LOCKING	2	
69	90201-08MA4-00	WASHER, PLATE	2	

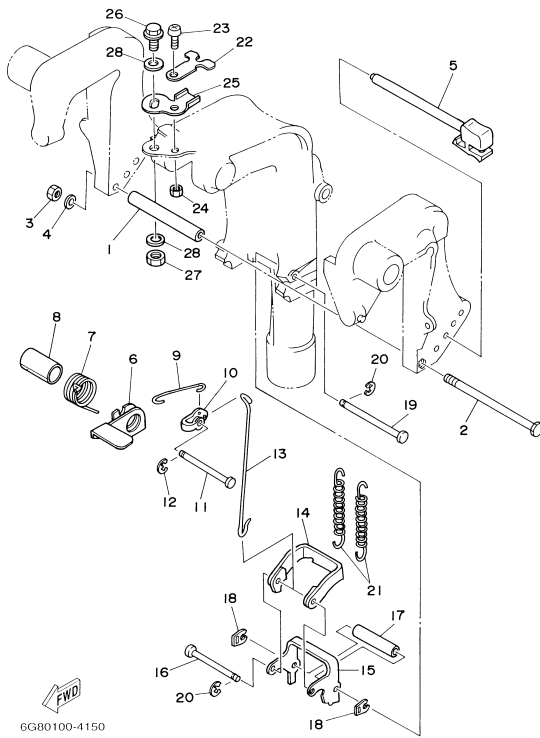
Part Notes

T9.9ELHX 1999 / BRACKET 1

PART NUMBER	NOTE TEXT
92990-06600-00 	OEM: This part number is among the Top 100 Most Popular Marine Maintenance Parts as of March 2014.

©2014 Yamaha Motor Corporation, U.S.A. All rights reserved.

T9.9ELHX 1999 / BRACKET 2



©2014 Yamaha Motor Corporation, U.S.A. All rights reserved.


Part List

T9.9ELHX 1999 / BRACKET 2

REF - NO	PART NUMBER	PART NAME	QUANTITY	REMARKS
1	90387-06M09-00	COLLAR	1	
2	97095-06135-00	BOLT	1	
3	95380-06700-00	NUT	1	
4	92990-06600-00	WASHER, PLATE	1	
5	6G8-43160-01-00	TILT ROD ASSY	1	
6	6G8-43631-03-00	LEVER, TILT	1	
7	90508-18M33-00	SPRING, TORSION	1	
8	90386-20M94-00	BUSH	1	
9	6G8-43616-00-00	ROD, TILT LOCK	1	
10	682-43641-00-00	LEVER, TILT	1	
11	90249-06M20-00	PIN	1	
12	93430-05027-00	CIRCLIP	1	
13	6G8-43617-00-00	ROD, TILT LOCK	1	
14	682-43614-00-00	PLATE, TILT LOCK	1	
15	682-43615-01-00	PLATE, TILT LOCK	1	
16	682-43611-01-00	SHAFT, TILT LOCK	1	
17	90387-06M20-00	COLLAR	1	
18	682-43673-00-00	WASHER 1	2	WITHOUT SHALLOW WATER DRIVE
19	682-43659-00-00	SHAFT, REVERSE LOCK	1	
20	93430-05027-00	CIRCLIP	2	
21	90506-29M16-00	SPRING, TENSION	2	
22	6G8-43319-03-94	PLATE	1	
23	92580-06016-00	.SCREW	1	
24	95380-06600-00	NUT, HEXAGON	1	
25	6G8-42512-02-94	PLATE, CONTROL	1	
26	97095-10020-00	BOLT	1	
27	95380-10700-00	NUT	1	
28	90201-10M76-00	.WASHER, PLATE	2	

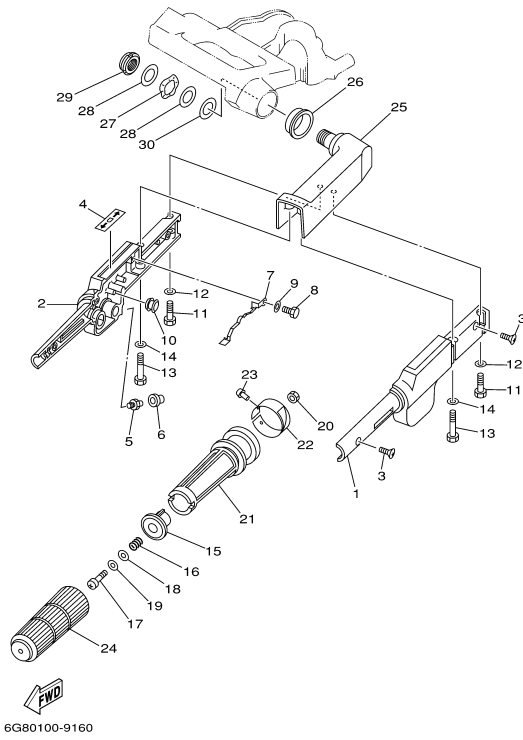
Part Notes

T9.9ELHX 1999 / BRACKET 2

PART NUMBER	NOTE TEXT
92990-06600-00 	OEM: This part number is among the Top 100 Most Popular Marine Maintenance Parts as of March 2014.

©2014 Yamaha Motor Corporation, U.S.A. All rights reserved.

T9.9ELHX 1999 / STEERING T9.9MH EH



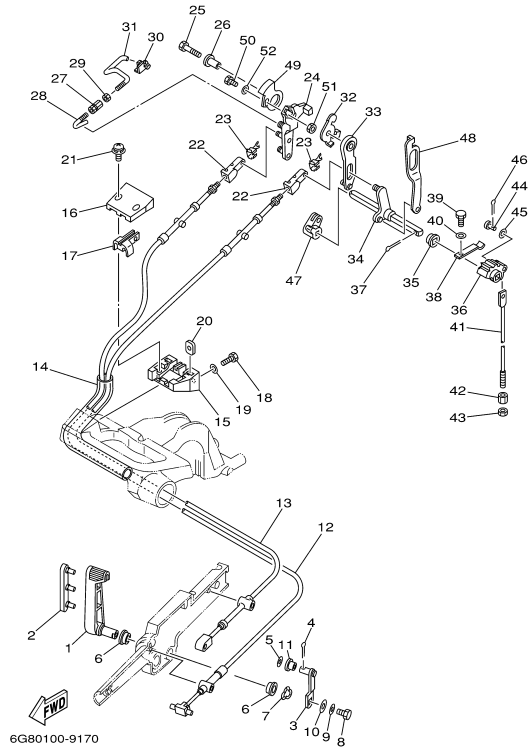
©2014 Yamaha Motor Corporation, U.S.A. All rights reserved.

Part List

T9.9ELHX 1999 / STEERING T9.9MH EH

REF - NO	PART NUMBER	PART NAME	QUANTITY	REMARKS
1	6G8-42111-01-4D	HANDLE, STEERING	1	
2	6G8-42112-02-4D	HANDLE, STEERING	1	
3	98780-05016-00	.SCREW, FLAT HEAD	2	
4	6G8-44191-00-00	INDICATOR, SHIFT	1	
5	93700-06M03-00	NIPPLE, GREASE	1	
6	663-45119-00-00	CAP, GREASE NIPPLE	1	AP
7	6G8-42147-01-00	SPRING	1	
8	97095-05012-00	BOLT	1	
9	92995-05600-00	WASHER	1	
10	6H4-42725-00-00	GROMMET	1	
11	97095-06025-00	BOLT	2	
12	92995-06600-00	WASHER	2	
13	97095-06040-00	.BOLT	2	
14	92995-06600-00	WASHER	2	
15	6G8-42126-01-94	FRICITION, STEERING HANDLE GRIP	1	
16	90501-23M42-00	SPRING, COMPRESSION	1	
17	97880-06030-00	SCREW, PAN HEAD	1	
18	90201-06049-00	WASHER, PLATE	1	
19	90202-06007-00	WASHER, PLATE	1	
20	95380-06700-00	NUT	1	
21	6G8-42119-00-00	GRIP, STEERING HANDLE	1	
22	6G8-42137-01-00	INDICATOR, THROTTLE	1	
23	90269-02M09-00	RIVET	1	
24	6G8-42177-00-00	RUBBER, HANDLE	1	
25	6G8-42113-02-4D	HANDLE, STEERING 3	1	
26	90386-33M56-00	BUSH	1	
27	90206-20M14-00	WASHER, WAVE	1	
28	90201-20M00-00	WASHER, PLATE	2	
29	90185-20M03-00	NUT, SELF-LOCKING	1	
30	90202-20M33-00	WASHER, PLATE	1	

T9.9ELHX 1999 / CONTROL



©2014 Yamaha Motor Corporation, U.S.A. All rights reserved.


Part List

T9.9ELHX 1999 / CONTROL

REF - NO	PART NUMBER	PART NAME	QUANTITY	REMARKS
1	6G8-44121-00-98	LEVER, SHIFT ROD	1	MH,EH
2	6G8-42129-00-00	BUSHING, RUBBER	1	MH,EH
3	6G8-44123-00-00	ARM, SHIFT ROD	1	MH,EH
4	91490-16010-00	PIN, COTTER	1	MH,EH
5	92990-05200-00	.WASHER, PLAIN	1	MH,EH
6	90386-12069-00	BUSH	2	MH,EH
7	90206-12052-00	WASHER, WAVE	1	MH,EH
8	97013-06016-00	BOLT	1	MH,EH
9	92903-06600-00	WASHER, PLATE	1	MH,EH
10	90201-06M94-00	WASHER, PLATE	1	MH,EH
11	90386-05M54-00	BUSH	1	MH,EH
12	6G8-48311-02-00	CABLE	1	MH,EH
13	6G8-48321-01-00	CABLE	1	MH,EH
14	90445-24M00-00	HOSE (L165)	1	MH,EH
15	6G8-41661-00-98	BRACKET	1	MH,EH
16	6G8-41662-00-98	BRACKET	1	MH,EH
17	6G8-41663-00-00	BRACKET 3	1	MH,EH
18	97095-06016-00	BOLT	2	MH,EH
19	92995-06600-00	WASHER	2	MH,EH
20	6G8-41654-00-00	NUT	2	MH,EH
21	90159-05M06-00	SCREW, WITH WASHER	2	MH,EH
22	6G8-26363-00-00	.END, WIRE 1	2	
23	6G8-26364-00-00	.END, CABLE	2	
24	6G8-41212-00-00	ARM, ACCEL.	1	
25	97013-06030-00	BOLT	1	
26	90387-06M58-00	COLLAR	1	
27	6G8-41238-01-00	JOINT, LINK	1	
28	6G8-41241-01-00	ROD, LINK	1	
29	95380-04600-00	.NUT	1	
30	6G8-41237-01-00	JOINT, LINK	1	
31	6G8-41242-01-00	ROD 2	1	
32	6G8-14493-00-00	STAY 1	1	
33	6G8-44111-00-00	HANDLE, GEAR SHIFT	1	
34	6G8-44159-00-00	HANDLE, GEAR SHIFT	1	
35	682-44132-00-00	BUSHING	1	
36	682-44121-01-00	LEVER, SHIFT ROD	1	
37	91490-25020-00	PIN, COTTER	1	
38	682-44116-01-00	SPRING	1	
39	97095-06014-00	BOLT	1	
40	92995-06600-00	WASHER	1	
41	6G8-44143-10-00	ROD, SHIFT	1	
42	90170-06015-00	NUT	1	
43	95380-06700-00	NUT	1	
44	91790-05020-00	PIN, CLEVIS	1	
45	92990-05600-00	WASHER, PLATE	1	
46	91490-16010-00	PIN, COTTER	1	
47	6G8-44125-00-00	LEVER, SHIFT ROD	1	
48	6G8-44124-11-00	LINK, SHIFT ROD	1	MH,EH
49	6G8-41212-11-00	ARM, ACCEL.	1	MH,EH
50	97013-06014-00	BOLT	1	MH,EH
51	95380-06600-00	NUT, HEXAGON	1	MH,EH
52	92990-06600-00	WASHER, PLATE	1	MH,EH

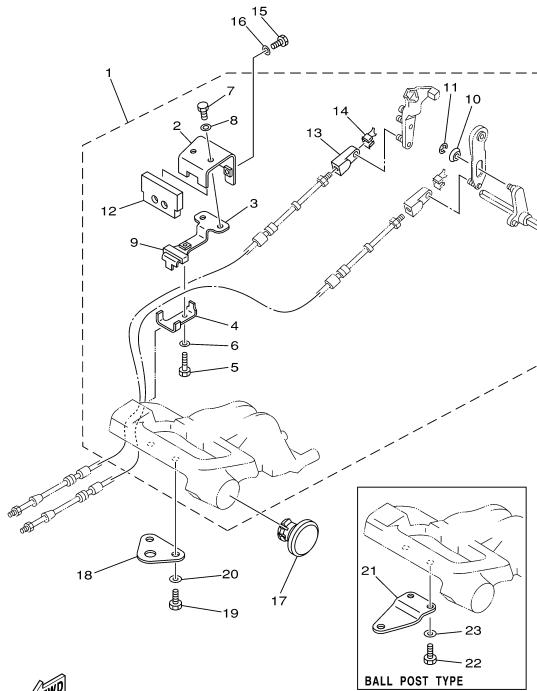
Part Notes

T9.9ELHX 1999 / CONTROL

PART NUMBER	NOTE TEXT
92990-06600-00 	OEM: This part number is among the Top 100 Most Popular Marine Maintenance Parts as of March 2014.

©2014 Yamaha Motor Corporation, U.S.A. All rights reserved.

T9.9ELHX 1999 / REMO-CON ATTACHMENT





Part List

T9.9ELHX 1999 / REMO-CON ATTACHMENT

REF - NO	PART NUMBER	PART NAME	QUANTITY	REMARKS
1	6G8-48501-03-00	REMOTE CONT. ATTACHMENT ASSY	1	AP ER (E)
2	6G8-48531-51-00	.BRACKET, REMOTE CONTROL 1	1	(E)
3	6G8-48532-50-00	.BRACKET, REMOTE CONTROL 2	1	(E)
4	6G8-48538-50-00	.CLAMP, CABLE 1	1	(E)
5	97395-06030-00	.BOLT	1	(E)
6	92990-06600-00	.WASHER, PLATE	1	(E)
7	97395-06012-00	.BOLT	2	(E)
8	92990-06600-00	.WASHER, PLATE	2	(E)
9	6G8-48565-50-00	.GROMMET	1	(E)
10	90387-06M73-00	.COLLAR	1	(E)
11	93430-04M03-00	.CIRCLIP	1	(E)
12	6G8-48351-51-00	.SEAL RUBBER	1	(E)
13	6G8-26363-00-00	.END, WIRE 1	1	(E)
14	6G8-26364-00-00	.END, CABLE	1	(E)
15	97095-06016-00	BOLT	2	ER (E)
16	92995-06600-00	WASHER	2	ER (E)
17	6G8-42551-00-00	GROMMET	1	ER (E)
18	6G8-48511-20-00	HOOK, STEERING	1	ER STEERING GUIDE TYPE (E)
19	97095-06016-00	BOLT	2	ER (E)
20	92995-06600-00	WASHER	2	ER (E)
21	6G8-48511-10-00	HOOK, STEERING	1	AP ER BALL POST TYPE (E)
22	97095-06016-00	BOLT	2	AP ER (E)
23	92995-06600-00	WASHER	2	AP ER (E)

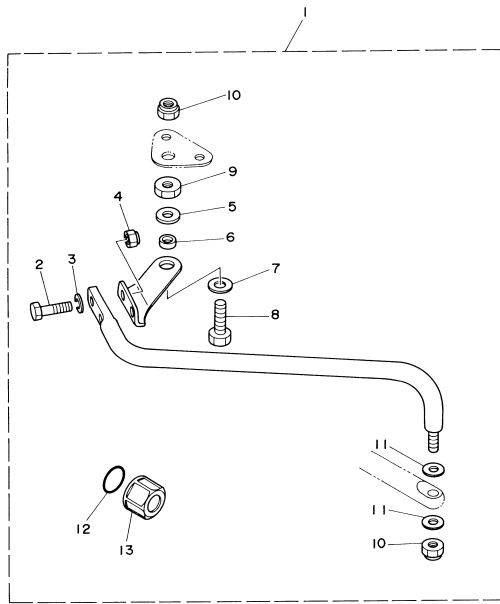
Part Notes

T9.9ELHX 1999 / REMO-CON ATTACHMENT

PART NUMBER	NOTE TEXT
92990-06600-00 	OEM: This part number is among the Top 100 Most Popular Marine Maintenance Parts as of March 2014.
92990-06600-00 	OEM: This part number is among the Top 100 Most Popular Marine Maintenance Parts as of March 2014.

©2014 Yamaha Motor Corporation, U.S.A. All rights reserved.

T9.9ELHX 1999 / STEERING GUIDE



6G90100-9200

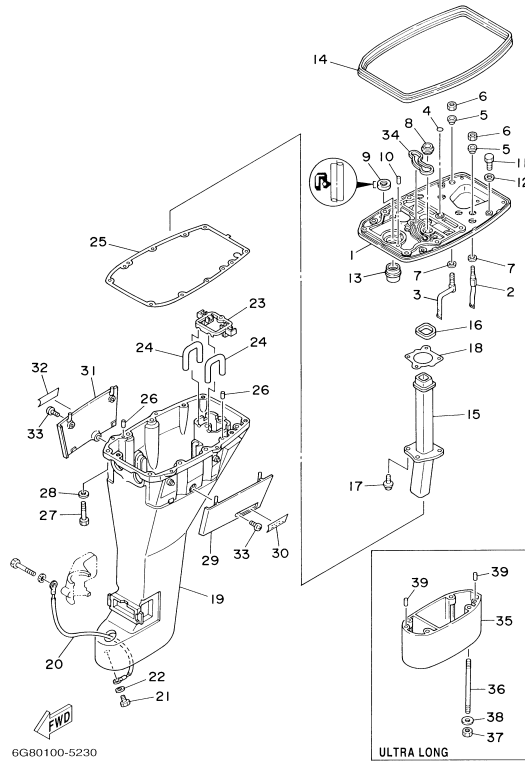
©2014 Yamaha Motor Corporation, U.S.A. All rights reserved.

Part List

T9.9ELHX 1999 / STEERING GUIDE

REF - NO	PART NUMBER	PART NAME	QUANTITY	REMARKS
1	6G8-61350-00-00	STEERING GUIDE ATTACHMENT KIT	1	AP ER (E)
2	97075-08025-00	.BOLT	2	(E)
3	92995-08600-00	.WASHER	2	(E)
4	90185-08057-00	.NUT, SELF-LOCKING	2	(E)
5	90201-10M04-00	.WASHER, PLATE	1	(E)
6	90387-10M06-00	.COLLAR	1	(E)
7	90201-10M63-00	.WASHER, PLATE	1	(E)
8	6E5-61355-00-00	.BOLT	1	(E)
9	90170-09M03-00	.NUT	1	(E)
10	90185-09M01-00	.NUT, SELF-LOCKING	2	(E)
11	90201-10M20-00	.WASHER, PLATE	2	(E)
12	93210-16275-00	.O-RING	1	(E)
13	6E5-43145-01-00	.CAP, CLAMP BRACKET	1	(E)

T9.9ELHX 1999 / UPPER CASING



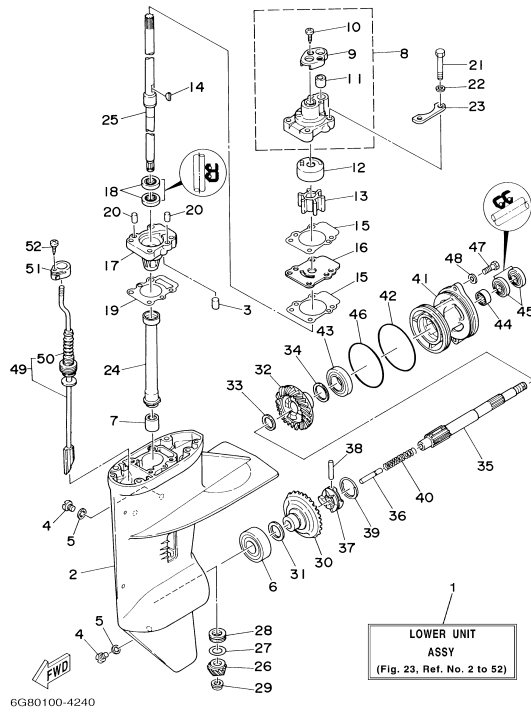
©2014 Yamaha Motor Corporation, U.S.A. All rights reserved.

Part List

T9.9ELHX 1999 / UPPER CASING

REF - NO	PART NUMBER	PART NAME	QUANTITY	REMARKS
1	6G8-41137-04-94	GUIDE, EXHAUST	1	
2	6G8-12483-00-00	PIPE 3	1	
3	6G8-12484-00-00	PIPE 4	1	
4	93210-08M60-00	O-RING	1	
5	90386-10M70-00	BUSH	2	
6	95380-10700-00	NUT	2	
7	90202-10M03-00	WASHER, PLATE	2	
8	6G8-44367-00-00	DAMPER, WATER SEAL	1	
9	93101-13M27-00	O-RING	1	
10	93606-12019-00	.PIN, DOWEL	2	
11	97013-06020-00	BOLT	2	
12	92903-06600-00	WASHER, PLATE	2	
13	6G8-45135-00-00	PIPE	1	
14	6G8-42716-00-00	RUBBER, SEAL 1	1	
15	6G8-41131-01-00	MANIFOLD, EXT. 1	1	
16	6G8-41138-00-00	SEAL, EXT. 1	1	
17	90105-06M33-00	BOLT, FLANGE	4	
18	6G8-41133-A0-00	GASKET, EXHAUST MANIFOLD 1	1	
19	6G8-45111-13-4D	CASING, UPPER	1	
20	6G8-82149-00-00	WIRE, LEAD 3	1	
21	97095-06012-00	BOLT	1	
22	92995-06600-00	WASHER	1	
23	6G8-45151-10-00	COVER, UPPER CASING	1	
24	6G8-45136-00-00	PIPE	2	
25	6G8-45113-A1-00	.GASKET, UPPER CASING	1	
26	93606-12019-00	.PIN, DOWEL	2	
27	97095-08040-00	BOLT	6	
28	92995-08600-00	WASHER	6	
29	6G8-42741-00-4D	APRON	1	
30	6G8-42791-00-00	MARK 1	1	
31	6G8-42771-00-4D	APRON	1	
32	6G8-42792-00-00	MARK	1	
33	90157-06M04-00	SCREW, PAN HEAD	2	
34	6G8-11355-00-00	SEAL, CYLINDER 1	1	
35	6G8-45211-20-4D	EXTENSION	1	X
36	90116-08M19-00	BOLT, STUD	4	X
37	95380-08600-00	NUT	4	X
38	92990-08600-00	..WASHER, PLATE	4	X
39	93606-12019-00	.PIN, DOWEL	2	X

T9.9ELHX 1999 / LOWER CASING DRIVE 1



©2014 Yamaha Motor Corporation, U.S.A. All rights reserved.


Part List

T9.9ELHX 1999 / LOWER CASING DRIVE 1

REF - NO	PART NUMBER	PART NAME	QUANTITY	REMARKS
1	6G8-45300-16-4D	LOWER UNIT ASSY	1	UR L
1	6G8-45300-26-4D	LOWER UNIT ASSY	1	UR X
2	6G8-45311-04-4D	CASING, LOWER	1	
3	93604-08062-00	PIN, DOWEL	1	
4	90340-08M04-00	PLUG, STRAIGHT SCREW	3	
5	90430-08020-00	.GASKET	3	
6	93332-00005-00	BEARING	1	
7	93315-213V4-00	BEARING	1	
8	682-44300-01-00	HOUSING, WATER PUMP	1	
9	682-44312-00-00	.COVER, WATER PUMP HOUSING	1	
10	97780-40112-00	.SCREW, TAPPING	2	
11	682-44365-00-00	.DAMPER, WATER SEAL	1	
12	682-44322-00-00	INSERT, CARTRIDGE	1	
13	682-44323-01-00	IMPELLER	1	
14	90280-03024-00	.KEY, WOODRUFF	1	
15	682-44315-A0-00	GASKET, WATER PUMP	2	
16	682-44323-00-00	OUTER PLATE, CARTRIDGE	1	
17	6G8-45331-00-5B	HOUSING, BEARING	1	
18	93101-20048-00	.OIL SEAL	2	
19	6G8-45315-A0-00	PACKING, LOWER CASING	1	
20	93606-12019-00	.PIN, DOWEL	2	
21	97095-06045-00	.BOLT	4	
22	92995-06600-00	WASHER	4	
23	682-44328-00-00	PLATE	2	
24	6G8-45536-00-00	SLEEVE, DRIVE SHAFT	1	
25	6G8-45501-20-00	DRIVE SHAFT COMP.	1	UR X
25	6G8-45501-10-00	DRIVE SHAFT COMP.	1	UR L
26	6G8-45551-00-00	PINION (13T)	1	
27	6G8-45587-00-10	SHIM (T:0.10MM)	1	UR
27	6G8-45587-00-14	SHIM (T:0.14MM)	1	UR
27	6G8-45587-00-18	SHIM (T:0.18MM)	1	UR
27	6G8-45587-00-35	SHIM (T:0.35MM)	1	UR
27	6G8-45587-00-50	SHIM (T:0.50MM)	1	UR
28	93341-313U3-00	BEARING	1	
29	90179-08M06-00	NUT	1	
30	6G8-45560-00-00	GEAR	1	
31	626-45577-00-01	SHIM (T:0.10MM)	1	UR
31	626-45577-00-03	SHIM (T:0.30MM)	1	UR
31	626-45577-00-05	SHIM (T:0.50MM)	1	UR
32	6G8-45571-00-00	GEAR 2 (38T)	1	
33	90201-17682-00	WASHER, PLATE	1	
34	626-45577-00-01	SHIM (T:0.10MM)	1	UR
34	626-45577-00-03	SHIM (T:0.30MM)	1	UR
34	626-45577-00-05	SHIM (T:0.50MM)	1	UR
35	6G8-45611-00-00	SHAFT, PROPELLER	1	
36	650-45635-00-00	PLUNGER, SHIFT	1	
37	682-45631-00-00	CLUTCH, DOG	1	
38	90250-05010-00	PIN, STRAIGHT	1	
39	648-45633-00-00	RING, CROSS PIN	1	
40	90501-14M06-00	SPRING, COMPRESSION	1	
41	6G8-45361-01-4D	CAP, LOWER CASING	1	
42	93210-74316-00	.O-RING	1	
43	93306-00501-00	BEARING	1	
44	93315-317U2-00	BEARING	1	
45	93101-17054-00	.OIL SEAL	2	
46	93210-74M68-00	.O-RING	1	
47	97095-06020-00	BOLT	2	
48	92995-06600-00	WASHER	2	
49	6G8-44150-10-00	SHIFT CAM ASSY	1	UR L
49	6G8-44150-20-00	SHIFT CAM ASSY	1	UR X
50	682-44147-00-00	.BOOT, SHIFT ROD	1	
51	682-44176-00-00	BRACKET	1	
52	97780-50510-00	SCREW, TAPPING	1	

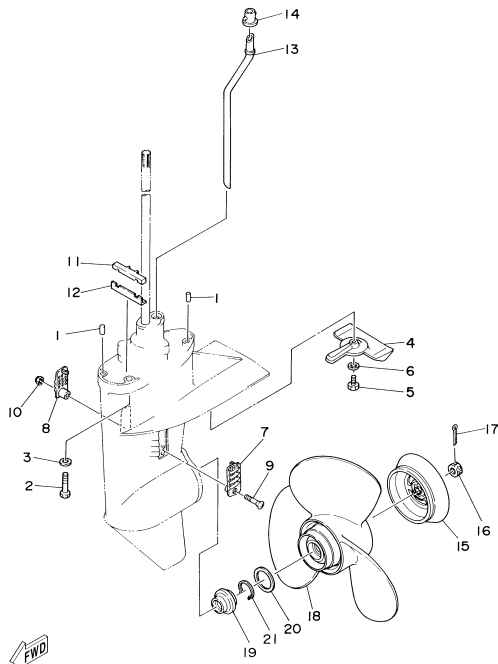
Part Notes

T9.9ELHX 1999 / LOWER CASING DRIVE 1

PART NUMBER	NOTE TEXT
90430-08020-00 	OEM: This part number is among the Top 100 Most Popular Marine Maintenance Parts as of March 2014.

©2014 Yamaha Motor Corporation, U.S.A. All rights reserved.

T9.9ELHX 1999 / LOWER CASING DRIVE 2



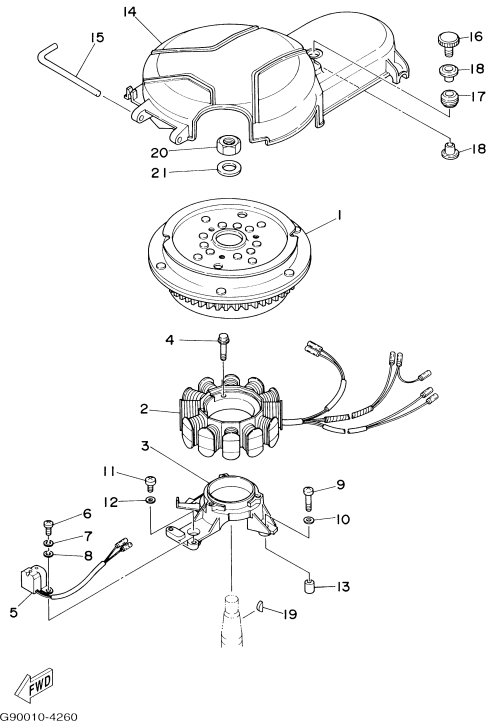
6G80100-4250

Part List

T9.9ELHX 1999 / LOWER CASING DRIVE 2

REF - NO	PART NUMBER	PART NAME	QUANTITY	REMARKS
1	93606-12019-00	.PIN, DOWEL	2	
2	97075-08035-00	BOLT	4	
3	92995-08600-00	WASHER	4	
4	6G8-45251-00-00	ANODE	1	
5	95895-06020-00	BOLT, FLANGE	1	
6	92990-06300-00	WASHER, INTERNAL TOOTH	1	
7	6G8-45214-00-00	COVER, WATER INLET 1	1	
8	6G8-45215-00-00	COVER, WATER INLET 2	1	
9	98180-05025-00	SCREW, OVAL HEAD	1	
10	90185-05002-00	NUT, NYLON	1	
11	682-45375-01-00	DAMPER, SEAL	1	
12	682-45376-01-00	GUIDE, SEAL DAMPER	1	
13	6G8-44361-20-00	TUBE, WATER	1	UR X
13	6G8-44361-10-00	TUBE, WATER	1	UR L
14	626-44365-01-00	DAMPER, WATER SEAL	1	
15	6G8-45986-00-00	RING, DEFLECTOR	1	
16	90171-10M07-00	NUT, CASTLE	1	
17	91490-30025-00	PIN. COTTER	1	
18	6G8-45947-00-EL	PROPELLER (3X11-3/4"X9-1/4"-R)	1	UR ALUMINIUM
18	6G8-45945-00-00	PROPELLER(3X11-3/4"X12-1/4"-R)	1	UR
18	6G8-45941-00-00	PROPELLER (3X11" X 11-3/4"-R)	1	UR
18	6G8-45943-00-00	PROPELLER (3X11-3/4"X9-1/4"-R)	1	UR
19	6G8-45987-02-00	SPACER 1	1	
20	90201-31MA3-00	WASHER, PLATE	1	
21	93450-10M04-00	CIRCLIP	1	

T9.9ELHX 1999 / GENERATOR





Part List

T9.9ELHX 1999 / GENERATOR

REF - NO	PART NUMBER	PART NAME	QUANTITY	REMARKS
1	6G8-85550-11-00	ROTOR ASSY	1	UR MH (M)
1	6G8-85550-01-00	ROTOR ASSY	1	UR EH,ER (E)
2	6G8-85510-01-00	STATOR ASSY	1	
3	6G8-85561-00-94	BASE, MAGNETO	1	
4	95023-06025-00	BOLT	3	
5	6G8-85580-02-00	COIL, PULSER	1	
6	97880-05012-00	SCREW, PAN HEAD	2	
7	92990-05100-00	.WASHER, SPRING	2	
8	92990-05600-00	WASHER, PLATE	2	
9	97880-06025-00	SCREW, PAN HEAD	2	
10	92990-06600-00	WASHER, PLATE	2	
11	97880-06020-00	SCREW, PAN HEAD	1	
12	92990-06600-00	WASHER, PLATE	1	
13	99530-08012-00	PIN, DOWEL	2	
14	6G8-81337-01-00	COVER, FLYWHEEL	1	
15	6G8-42752-00-00	SHAFT	1	
16	6G8-81323-00-00	SCREW 1	1	
17	90480-15M31-00	GROMMET	1	
18	90387-06M71-00	COLLAR	2	
19	90280-05013-00	KEY, WOODRUFF	1	
20	90170-12066-00	NUT	1	
21	90201-12472-00	WASHER, PLATE	1	

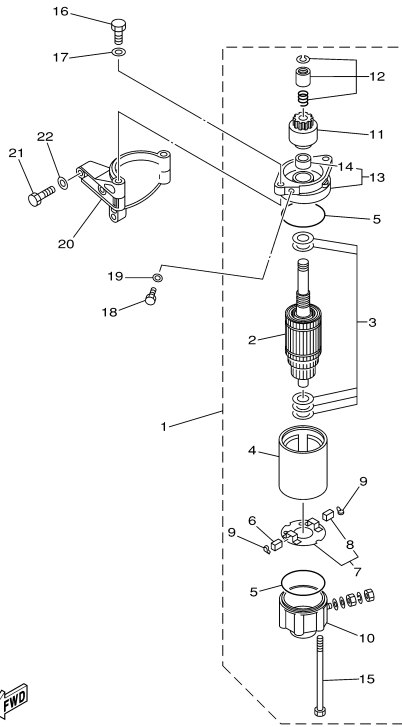
Part Notes

T9.9ELHX 1999 / GENERATOR

PART NUMBER	NOTE TEXT
92990-06600-00 	OEM: This part number is among the Top 100 Most Popular Marine Maintenance Parts as of March 2014.
92990-06600-00 	OEM: This part number is among the Top 100 Most Popular Marine Maintenance Parts as of March 2014.

©2014 Yamaha Motor Corporation, U.S.A. All rights reserved.

T9.9ELHX 1999 / STARTING MOTOR T9.9EH ER



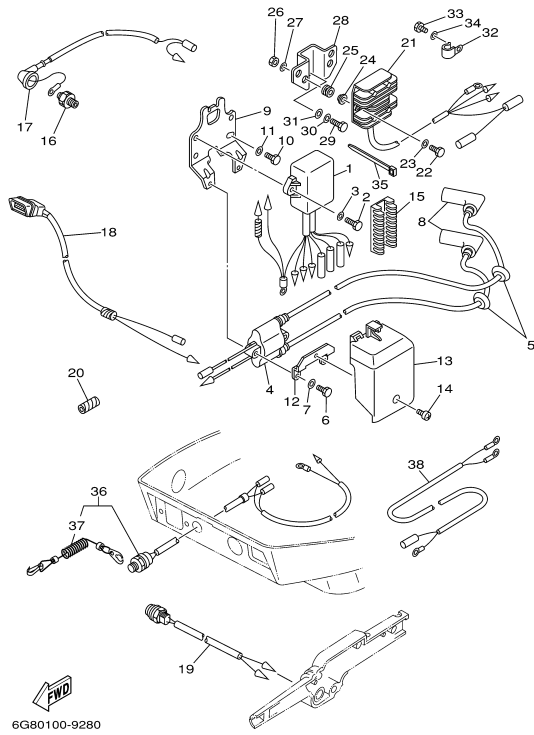
6G90100-8270

Part List

T9.9ELHX 1999 / STARTING MOTOR T9.9EH ER

REF - NO	PART NUMBER	PART NAME	QUANTITY	REMARKS
1	6G8-81800-11-00	STARTING MOTOR ASSY	1	(E)
2	689-81850-12-00	.ARMATURE ASSY	1	(E)
3	689-81809-11-00	.WASHER KIT	1	(E)
4	689-81810-11-00	.STATOR ASSY	1	(E)
5	689-81847-11-00	.O-RING	2	(E)
6	689-81811-11-00	.BRUSH 1	1	(E)
7	689-81840-11-00	.BRUSH HOLDER ASSY	1	(E)
8	689-81812-11-00	..BRUSH 2	1	(E)
9	689-81813-10-00	.SPRING, BRUSH	2	(E)
10	689-81820-11-00	.REAR BRACKET ASSY	1	(E)
11	689-81807-12-00	.GEAR ASSY, STARTING MOTOR	1	(E)
12	689-81857-11-00	.PINION STOPPER SET	1	(E)
13	6F5-81830-11-00	.FRONT BRACKET ASSY	1	(E)
14	689-81831-00-00	..METAL, FRONT	1	(E)
15	689-81826-10-00	.BOLT	2	(E)
16	97075-08025-00	BOLT	2	(E)
17	92995-08600-00	WASHER	2	(E)
18	97095-08016-00	BOLT	1	(E)
19	92995-08600-00	WASHER	1	(E)
20	6G8-81822-40-94	BRACKET, STARTING MOTOR	1	(E)
21	97013-08030-00	BOLT	3	(E)
22	92903-08600-00	WASHER, PLATE	3	(E)

T9.9ELHX 1999 / ELECTRICAL 1



©2014 Yamaha Motor Corporation, U.S.A. All rights reserved.



Part List

T9.9ELHX 1999 / ELECTRICAL 1

REF - NO	PART NUMBER	PART NAME	QUANTITY	REMARKS
1	6G8-85540-23-00	C.D.I. UNIT ASSY	1	
2	97095-06020-00	BOLT	2	
3	92995-06600-00	WASHER	2	
4	6G8-85570-21-00	IGNITION COIL ASSY	1	
5	90480-25161-00	GROMMET	2	
6	97095-06025-00	BOLT	2	
7	92995-06600-00	WASHER	2	
8	6G8-82370-30-00	PLUG CAP ASSY	2	
9	6G8-85542-00-00	BRACKET	1	
10	97095-06020-00	BOLT	2	
11	92995-06600-00	WASHER	2	
12	6G8-85525-00-00	PLATE	1	
13	6G8-81916-00-00	COVER, TERMINAL	1	
14	98980-06008-00	SCREW, BIND	1	
15	6G8-82522-00-00	CLAMP, COUPLER	1	
16	6G8-82504-00-00	OIL PRESSURE SWITCH ASSY	1	
17	6G8-82127-00-00	WIRE, LEAD 2	1	
18	6G8-83582-01-00	PILOT LIGHT ASSY	1	MH,EH
19	6G8-82550-10-00	ENGINE STOP SWITCH ASSY	1	MH,EH
20	90446-10M02-00	HOSE	1	
21	6G8-81960-00-00	RECTIFIER & REGULATOR ASSY	1	
22	97095-06025-00	BOLT	2	
23	92995-06600-00	WASHER	2	
24	90387-06M70-00	COLLAR	2	
25	90480-13M24-00	GROMMET	2	
26	95380-06700-00	NUT	2	
27	92990-06600-00	WASHER, PLATE	2	
28	6G8-81948-02-00	BRACKET	1	
29	97095-06020-00	BOLT	1	
30	92995-06100-00	WASHER, SPRING	1	
31	92995-06600-00	WASHER	1	
32	90465-08M75-00	CLAMP	1	
33	97013-06012-00	BOLT	1	
34	92903-06600-00	WASHER, PLATE	1	
35	90465-13M11-00	CLAMP	1	
36	6G8-82575-00-00	ENGINE STOP SWITCH ASSY	1	MH,EH
37	682-82556-00-00	.LANYARD, STOP SWITCH	1	(M)
38	6G8-81949-00-00	WIRE, LEAD	1	AP FOR CHARGING (M)

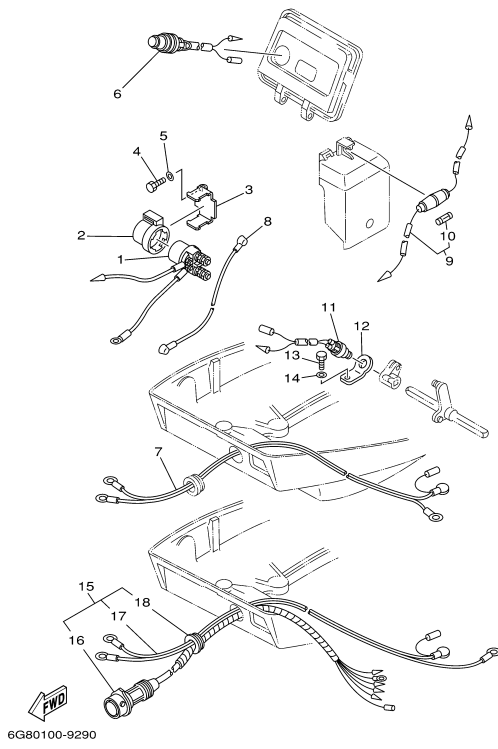
Part Notes

T9.9ELHX 1999 / ELECTRICAL 1

PART NUMBER	NOTE TEXT
92990-06600-00 	OEM: This part number is among the Top 100 Most Popular Marine Maintenance Parts as of March 2014.
682-82556-00-00 	OEM: This part number is among the Top 100 Most Popular Marine Maintenance Parts as of March 2014.

©2014 Yamaha Motor Corporation, U.S.A. All rights reserved.

T9.9ELHX 1999 / ELECTRICAL 2



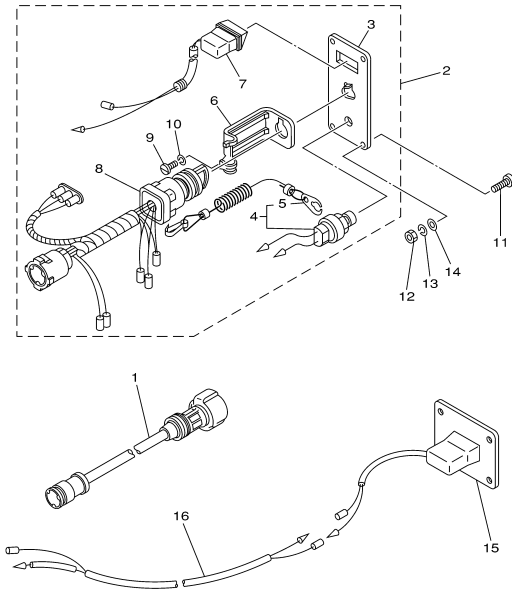
©2014 Yamaha Motor Corporation, U.S.A. All rights reserved.

Part List

T9.9ELHX 1999 / ELECTRICAL 2

REF - NO	PART NUMBER	PART NAME	QUANTITY	REMARKS
1	6J0-81941-10-00	STARTER RELY ASSY	1	EH,ER (E)
2	6G1-81952-00-00	HOLDER, RELAY	1	EH,ER (E)
3	6G8-81953-00-00	STAY, RELAY	1	EH,ER (E)
4	97095-06012-00	BOLT	1	EH,ER (E)
5	92995-06600-00	WASHER	1	EH,ER (E)
6	6G8-81870-00-00	STARTING SWITCH ASSY	1	EH (E)
7	6G8-82105-01-00	BATTERY CABLE	1	EH (E)
8	6G8-82117-00-00	WIRE, LEAD	1	EH,ER (E)
9	6G8-82150-00-00	FUSE HOLDER ASSY	1	
10	663-82151-00-00	.FUSE (12V-20A)	1	
11	6H3-82540-00-00	NEUTRAL SWITCH ASSY	1	EH,ER (E)
12	6G8-82554-00-00	STAY, NEUTRAL SWITCH	1	EH,ER (E)
13	97095-06012-00	BOLT	1	EH,ER (E)
14	92995-06600-00	WASHER	1	EH,ER (E)
15	6G8-82580-00-00	WIRE HARNESS ASSY 2	1	ER (E)
16	6G8-82590-00-00	.WIRE HARNESS ASSY	1	ER (E)
17	6G8-82105-01-00	.BATTERY CABLE	1	ER (E)
18	6G8-42724-50-00	.GROMMET	1	ER (E)

T9.9ELHX 1999 / ELECTRICAL 3 T9.9ER




6G80100-9300


Part List

T9.9ELHX 1999 / ELECTRICAL 3 T9.9ER

REF - NO	PART NUMBER	PART NAME	QUANTITY	REMARKS
1	688-82586-50-00	EXTENSION, WIRE HARNESS (5M)	1	AP L:5M(7P) (E)
2	6G8-82570-02-00	PANEL SWITCH ASSY	1	AP (E)
3	6G8-82571-01-00	.PANEL, SWITCH	1	(E)
4	688-82575-01-00	.ENGINE STOP SWITCH ASSY	1	(E)
5	682-82556-00-00	..LANYARD, STOP SWITCH	1	(E)
6	663-82581-01-00	.STAY, CORD CLAMP	1	(E)
7	6G8-83582-01-00	.PILOT LIGHT ASSY	1	(E)
8	6G8-82510-00-00	.MAIN SWITCH ASSY	1	(E)
9	98903-04008-00	.SCREW, BIND	1	(E)
10	92903-04100-00	.WASHER	1	(E)
11	90149-05M05-00	SCREW	4	AP (E)
12	95380-05600-00	NUT	4	AP (E)
13	92990-05100-00	.WASHER, SPRING	4	AP (E)
14	92990-05600-00	WASHER, PLATE	4	AP (E)
15	6G8-83530-00-00	PILOT LIGHT ASSY	1	(E)
16	6G8-82541-00-00	WIRE, LEAD	1	(E)

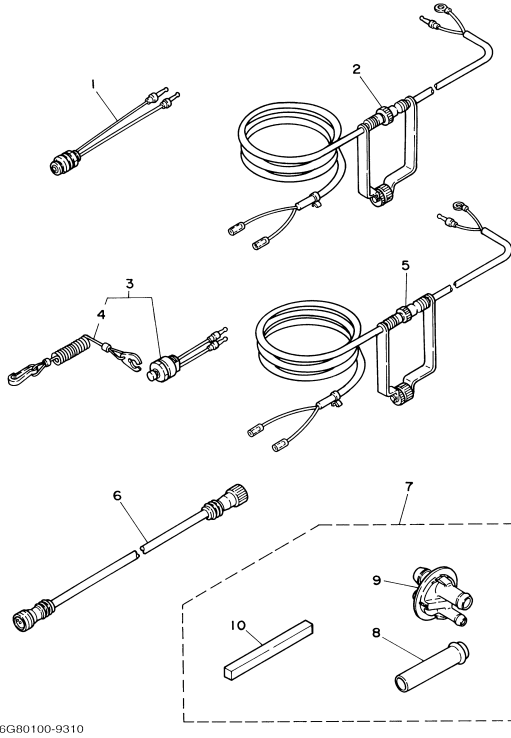
Part Notes

T9.9ELHX 1999 / ELECTRICAL 3 T9.9ER

PART NUMBER	NOTE TEXT
682-82556-00-00 	OEM: This part number is among the Top 100 Most Popular Marine Maintenance Parts as of March 2014.

©2014 Yamaha Motor Corporation, U.S.A. All rights reserved.

T9.9ELHX 1999 / OPTIONAL PARTS T9.9ER



6G80100-9310


Part List

T9.9ELHX 1999 / OPTIONAL PARTS T9.9ER

REF - NO	PART NUMBER	PART NAME	QUANTITY	REMARKS
1	689-82550-11-00	ENGINE STOP SWITCH ASSY	1	AP (E)
2	6A0-82553-20-00	EXTENSION, WIRE LEAD	1	AP (E)
3	689-82575-13-00	ENGINE STOP SWITCH ASSY	1	AP (E)
4	682-82556-00-00	.LANYARD, STOP SWITCH	1	(E)
5	6A0-82553-20-00	EXTENSION, WIRE LEAD	1	AP (E)
6	689-82553-10-00	EXTENSION, WIRE LEAD	1	AP (E)
7	6G8-W4537-00-00	WELL-TYPE EXHAUST KIT	1	AP (E)
8	6G8-14611-00-00	.PIPE, EXHAUST 1	1	(E)
9	6G8-44391-10-00	.NIPPLE, HOSE	1	(E)
10	6G8-45375-10-00	.DAMPER, SEAL	1	(E)

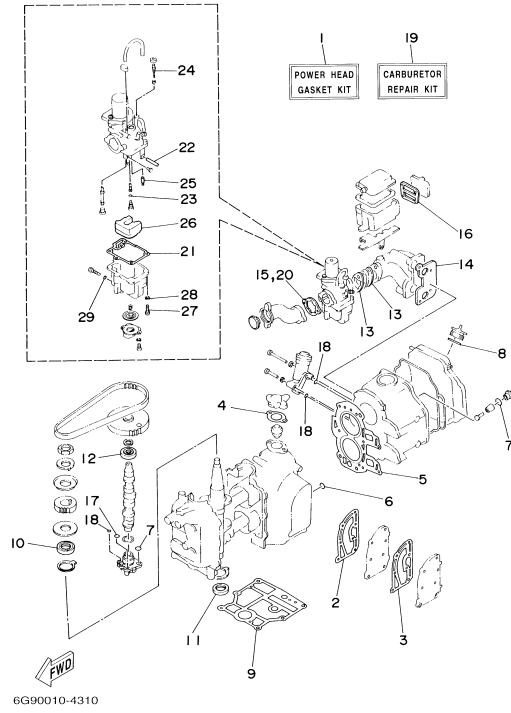
Part Notes

T9.9ELHX 1999 / OPTIONAL PARTS T9.9ER

PART NUMBER	NOTE TEXT
682-82556-00-00 	OEM: This part number is among the Top 100 Most Popular Marine Maintenance Parts as of March 2014.

©2014 Yamaha Motor Corporation, U.S.A. All rights reserved.

T9.9ELHX 1999 / REPAIR KIT 1



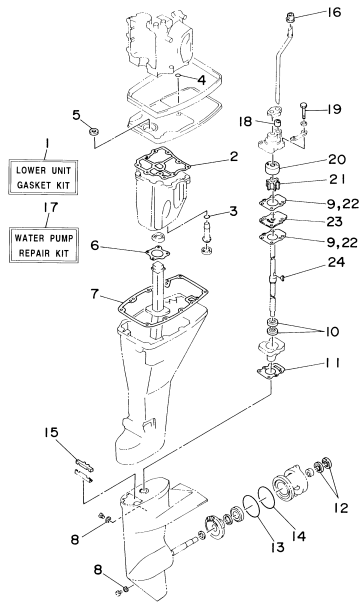
©2014 Yamaha Motor Corporation, U.S.A. All rights reserved.

Part List

T9.9ELHX 1999 / REPAIR KIT 1

REF - NO	PART NUMBER	PART NAME	QUANTITY	REMARKS
1	6G8-W0001-A3-00	POWER HEAD GASKET KIT	1	
2	6G8-41112-02-00	.GASKET, EXHAUST INNER COVER	1	
3	6G8-41114-00-00	.GASKET, EXHAUST OUTER COVER	1	
4	6G8-12414-A0-00	.GASKET, COVER	1	
5	6G8-11181-A1-00	.GASKET, CYLINDER HEAD 1	1	
6	93210-11M59-00	.O-RING	1	
7	93210-13M63-00	.O-RING	3	
8	93210-24M79-00	.O-RING	1	
9	6G8-11351-A0-00	.GASKET, CYLINDER	1	
10	93102-30M22-00	.OIL SEAL	1	
11	93101-25M24-00	.OIL SEAL	1	
12	93102-18M21-00	.OIL SEAL	1	
13	6G8-13646-A0-00	.GASKET, MANIFOLD 2	2	
14	6G8-13645-00-00	.GASKET, MANIFOLD 1	1	
15	6G8-14198-A0-00	.GASKET	1	
16	6G8-15374-00-00	.GASKET, BREATHER	1	
17	93210-10M61-00	.O-RING	1	
18	93210-09M01-00	.O-RING	3	
19	6G8-W0093-03-00	CARBURETOR REPAIR KIT	1	
20	6G8-14198-A0-00	.GASKET	1	
21	6G8-14384-01-00	.GASKET, FLOAT CHAMBER	1	
22	647-14386-00-00	.PIN, FLOAT	1	
23	654-14198-00-00	.GASKET	1	
24	6G8-14323-00-00	.SCREW, AIR ADJUSTING	1	
25	6G8-14392-00-00	.VALVE, NEEDLE	1	
26	6G8-14385-00-00	.FLOAT	1	
27	98580-04014-00	.SCREW, PAN HEAD	1	
28	92903-04100-00	.WASHER	1	
29	5Y1-14397-00-00	.O-RING	1	

T9.9ELHX 1999 / REPAIR KIT 2




6GB0100-4330


Part List

T9.9ELHX 1999 / REPAIR KIT 2

REF - NO	PART NUMBER	PART NAME	QUANTITY	REMARKS
1	6G8-W0001-C6-00	LOWER UNIT GASKET KIT	1	
2	6G8-15312-A1-00	.GASKET, OIL PAN	1	
3	93210-16M64-00	.O-RING	1	
4	93210-08M60-00	.O-RING	1	
5	93101-13M27-00	.O-RING	1	
6	6G8-41133-A0-00	.GASKET, EXHAUST MANIFOLD 1	1	
7	6G8-45113-A1-00	.GASKET, UPPER CASING	1	
8	90430-08020-00	.GASKET	3	
9	682-44315-A0-00	.GASKET, WATER PUMP	2	
10	93101-20048-00	.OIL SEAL	2	
11	6G8-45315-A0-00	.PACKING, LOWER CASING	1	
12	93101-17054-00	.OIL SEAL	2	
13	93210-74M68-00	.O-RING	1	
14	93210-74316-00	.O-RING	1	
15	682-45375-01-00	.DAMPER, SEAL	1	
16	626-44365-01-00	.DAMPER, WATER SEAL	1	
17	682-W0078-A2-00	WATER PUMP REPAIR KIT	1	
18	682-44365-00-00	.DAMPER, WATER SEAL	1	
19	97095-06045-00	.BOLT	4	
20	682-44322-00-00	.INSERT, CARTRIDGE	1	
21	682-44352-01-00	.IMPELLER	1	
22	682-44315-A0-00	.GASKET, WATER PUMP	2	
23	682-44323-00-00	.OUTER PLATE, CARTRIDGE	1	
24	90280-03024-00	.KEY, WOODRUFF	1	

Part Notes

T9.9ELHX 1999 / REPAIR KIT 2

PART NUMBER	NOTE TEXT
90430-08020-00 	OEM: This part number is among the Top 100 Most Popular Marine Maintenance Parts as of March 2014.

©2014 Yamaha Motor Corporation, U.S.A. All rights reserved.

©2014 Yamaha Motor Corporation, U.S.A. All rights reserved.