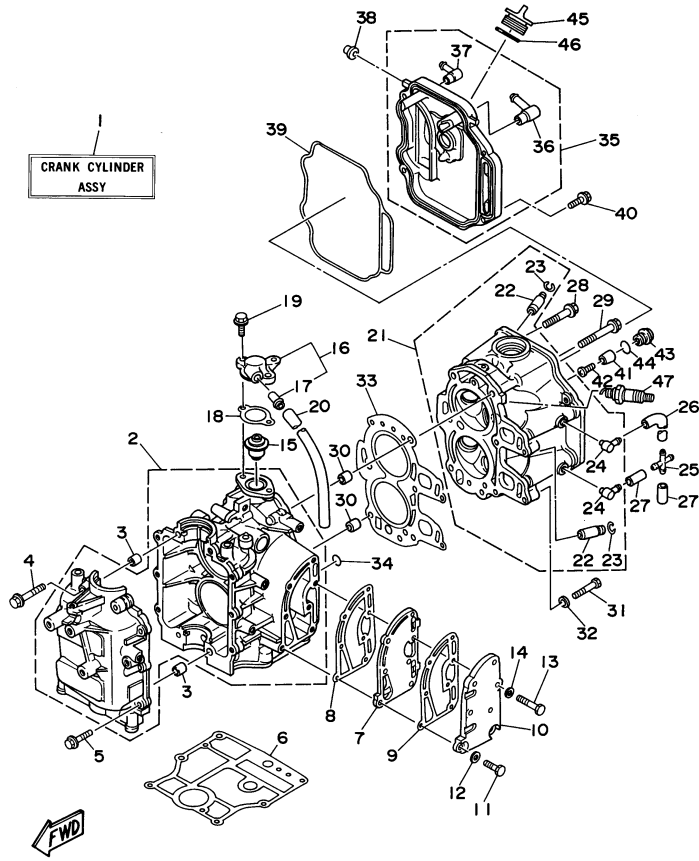


T9.9ELHV 1997 / CYLINDER CRANKCASE



©2014 Yamaha Motor Corporation, U.S.A. All rights reserved.




Part List

T9.9ELHV 1997 / CYLINDER CRANKCASE

REF - NO	PART NUMBER	PART NAME	QUANTITY	REMARKS
1	6G8-W0090-33-4D	CRANK CYLINDER ASSEMBLY	1	
2	6G8-15100-05-94	CRANKCASE ASSEMBLY	1	
3	99510-10114-00	PIN, DOWEL	2	
4	90119-08M18-00	BOLT, WITH WASHER	4	
5	90119-06M12-00	BOLT, WITH WASHER	6	
6	6G8-11351-A0-00	GASKET, CYLINDER	1	
7	6G8-41111-02-9M	INNER COVER, EXHAUST	1	
8	6G8-41112-02-00	GASKET, EXHAUST INNER COVER	1	
9	6G8-41114-00-00	GASKET, EXHAUST OUTER COVER	1	
10	6G8-41113-10-9M	OUTER COVER, EXHAUST	1	
11	97095-06025-00	BOLT	2	
12	92990-06600-00	WASHER, PLATE	2	
13	97095-06030-00	BOLT	5	
14	92990-06600-00	WASHER, PLATE	5	
15	6G8-12411-02-00	THERMOSTAT	1	
16	6G8-12413-00-9M	COVER, THERMOSTAT	1	
17	6E5-24377-00-00	.PIPE, JOINT 2	1	
18	6G8-12414-A0-00	.GASKET, COVER	1	
19	97595-06520-00	BOLT, WITH WASHER	2	
20	90445-11M66-00	.HOSE (L410)	1	
21	6G8-11111-03-94	HEAD, CYLINDER 1	1	
22	6G8-11133-10-00	.GUIDE, VALVE 1	4	
23	93450-09M01-00	.CIRCLIP	4	
24	676-11372-00-00	.NIPPLE, HOSE	2	
25	6G9-24379-00-00	PIPE, JOINT 4	1	
26	6G8-12481-01-00	PIPE 1	1	
27	90445-09078-00	HOSE	2	
28	90105-08M37-00	BOLT, FLANGE	3	
29	90105-08M36-00	BOLT, FLANGE	3	
30	99510-10114-00	PIN, DOWEL	2	
31	97014-06035-00	BOLT, HEXAGON	2	
32	92990-06600-00	WASHER, PLATE	2	
33	6G8-11181-A1-00	GASKET, CYLINDER HEAD 1	1	
34	93210-11M59-00	O-RING	1	
35	6G8-11191-01-94	COVER, CYLINDER HEAD 1	1	
36	6G8-15373-00-00	.PIPE, BREATHER	1	
37	676-11372-00-00	.NIPPLE, HOSE	1	
38	6G8-81336-00-00	GROMMET	2	
39	6G8-11356-00-00	SEAL, CYLINDER 2	1	
40	97595-06520-00	BOLT, WITH WASHER	4	
41	6G8-11325-00-00	ANODE	1	
42	98580-05525-00	SCREW, PAN HEAD	1	
43	6G8-11197-00-00	PLUG, BLIND	1	
44	93210-13M63-00	.O-RING	1	
45	6G8-15363-00-00	PLUG, OIL	1	
46	93210-25070-00	O-RING	1	
47	NGK-CR6HS-00-00	PLUG SPARK (NGK CR6HS)	2	

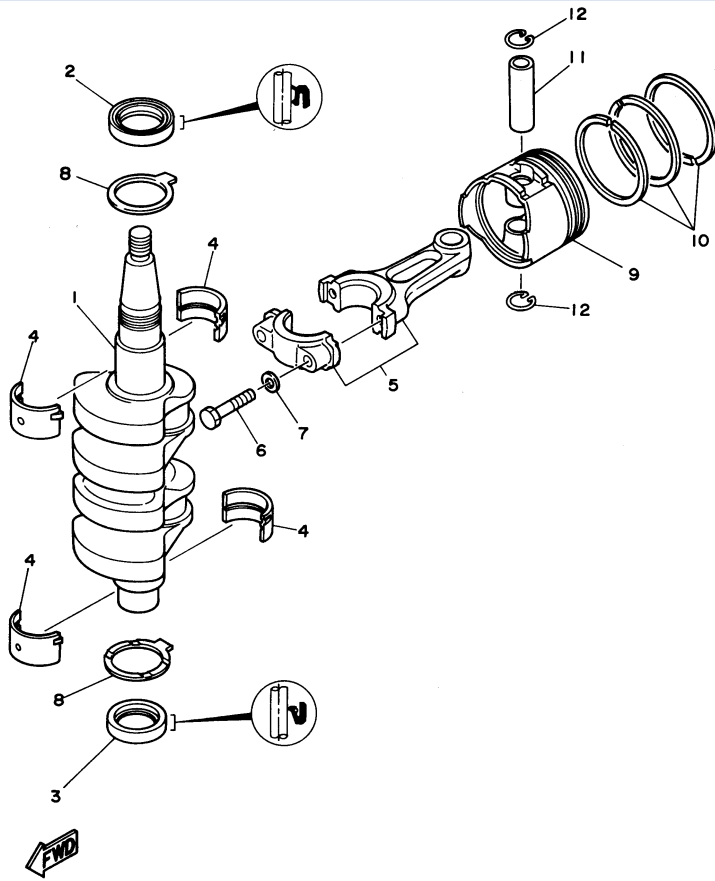
Part Notes

T9.9ELHV 1997 / CYLINDER CRANKCASE

PART NUMBER	NOTE TEXT
92990-06600-00 	OEM: This part number is among the Top 100 Most Popular Marine Maintenance Parts as of March 2014.
92990-06600-00 	OEM: This part number is among the Top 100 Most Popular Marine Maintenance Parts as of March 2014.
92990-06600-00 	OEM: This part number is among the Top 100 Most Popular Marine Maintenance Parts as of March 2014.

©2014 Yamaha Motor Corporation, U.S.A. All rights reserved.

T9.9ELHV 1997 / CRANKSHAFT PISTON



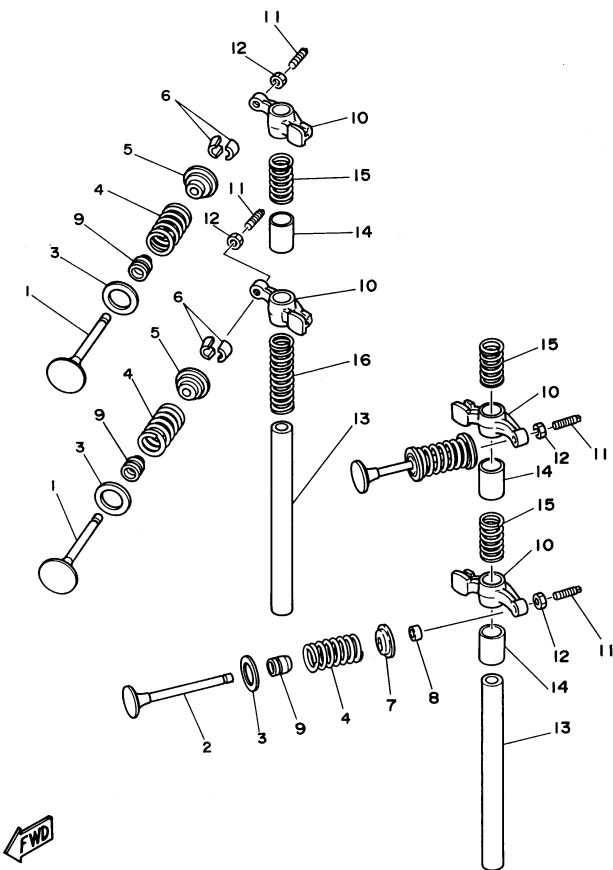
©2014 Yamaha Motor Corporation, U.S.A. All rights reserved.

Part List

T9.9ELHV 1997 / CRANKSHAFT PISTON

REF - NO	PART NUMBER	PART NAME	QUANTITY	REMARKS
1	6G8-11411-04-00	CRANKSHAFT	1	
2	93102-30M22-00	.OIL SEAL	1	
3	93101-25M24-00	OIL SEAL	1	
4	6G8-11416-10-00	PLANE BEARING, CRANKSHAFT 1	4	UR BLACK
4	6G8-11416-00-00	PLANE BEARING, CRANKSHAFT 1	4	UR BROWN
4	6G8-11416-20-00	PLANE BEARING, CRANKSHAFT 1	4	UR BLUE
5	6G8-11650-03-00	CONNECTING ROD ASSY	2	
6	6G8-11654-00-00	BOLT, CONNECTING ROD	4	
7	90201-06M00-00	WASHER, PLATE	4	
8	6G8-11426-00-00	PLANE BEARING, CRANKSHAFT 1	2	
9	6G8-11631-03-96	PISTON (STD)	2	
9	6G8-11636-03-00	PISTON (0.50MM O/S)	2	AP
10	6G8-11610-02-00	PISTON RING SET (STD)	2	
10	6G8-11610-22-00	PISTON RING SET (0.50MM O/S)	2	AP
11	634-11633-00-00	PIN, PISTON	2	
12	93450-15023-00	CIRCLIP	4	

T9.9ELHV 1997 / VALVE



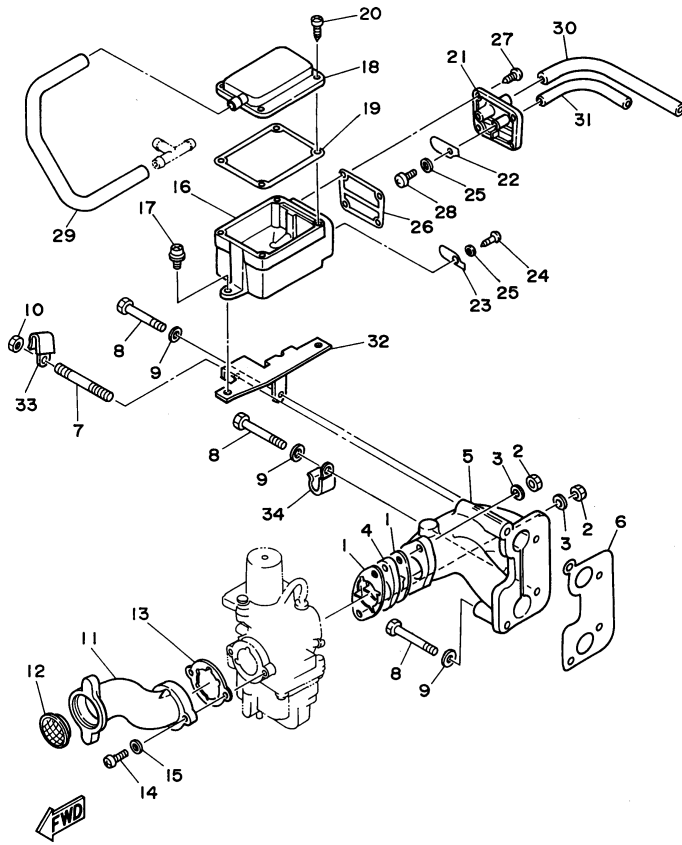
©2014 Yamaha Motor Corporation, U.S.A. All rights reserved.

Part List

T9.9ELHV 1997 / VALVE

REF - NO	PART NUMBER	PART NAME	QUANTITY	REMARKS
1	6G8-12111-00-00	VALVE, INTAKE	2	
2	6G8-12121-01-00	VALVE, EXHAUST	2	
3	6G8-12116-00-00	SEAT, VALVE SPRING	4	
4	6G8-12113-00-00	SPRING, VALVE INNER	4	
5	6G8-12117-00-00	RETAINER, VALVE SPRING	2	
6	30X-12118-00-00	LOCK, VALVE SPRING RETAINER	4	
7	6G8-12117-10-00	RETAINER, VALVE SPRING	2	
8	6G8-12153-00-00	LIFTER, VALVE	2	
9	51Y-12119-00-00	SEAL, VALVE STEM	4	
10	6G8-12151-00-00	ARM, VALVE ROCKER	4	
11	6G8-12159-00-00	SCREW, VALVE ADJUSTING	4	
12	6G8-12158-00-00	NUT, LOCK	4	
13	6G8-12146-00-00	SHAFT, ROCKER	2	
14	90387-13M56-00	COLLAR	3	
15	90501-12M40-00	SPRING, COMPRESSION	3	
16	90501-12M41-00	SPRING, COMPRESSION	1	

T9.9ELHV 1997 / INTAKE



©2014 Yamaha Motor Corporation, U.S.A. All rights reserved.



Part List

T9.9ELHV 1997 / INTAKE

REF - NO	PART NUMBER	PART NAME	QUANTITY	REMARKS
1	6G8-13646-A0-00	GASKET, MANIFOLD 2	2	
2	95380-06700-00	NUT	2	
3	92990-06600-00	WASHER, PLATE	2	
4	6G8-13647-00-00	GASKET, MANIFOLD 3	1	
5	6G8-13641-01-94	MANIFOLD 1	1	
6	6G8-13645-00-00	GASKET, MANIFOLD 1	1	
7	90116-06M15-00	BOLT, STUD	1	
8	97095-06045-00	.BOLT	3	
9	92990-06600-00	WASHER, PLATE	3	
10	95380-06700-00	NUT	1	
11	6G8-14479-02-94	FUNNEL	1	
12	6G8-14478-00-00	LOUVER	1	
13	6G8-14198-A0-00	.GASKET	1	
14	98580-05016-00	SCREW, PAN HEAD	2	
15	92990-05600-00	WASHER, PLATE	2	
16	6G8-15358-00-00	SEPARATOR, OIL	1	
17	90159-06M05-00	SCREW, WITH WASHER	2	
18	6G8-15368-00-94	SEPERATOR, OIL	1	
19	6G8-15369-00-00	GASKET, OIL SEAL HOUSING	1	
20	97780-40112-00	SCREW, TAPPING	4	
21	6G8-15371-00-94	BREATHER	1	
22	6G8-15346-00-00	BREATHER 1	1	
23	6G8-15347-00-00	BREATHER 2	1	
24	97780-40112-00	SCREW, TAPPING	1	
25	92990-04200-00	WASHER	2	
26	6G8-15374-00-00	GASKET, BREATHER	1	
27	97780-40112-00	SCREW, TAPPING	4	
28	98507-04010-00	SCREW, PAN HEAD	1	
29	6G8-15393-00-00	PIPE, BREATHER 2	1	
30	90445-11M52-00	HOSE (L150)	1	
31	90445-09078-00	HOSE	1	
32	6G8-15376-00-00	HOLDER, GUIDE	1	
33	90465-08028-00	CLAMP	1	
34	90465-08028-00	CLAMP	1	

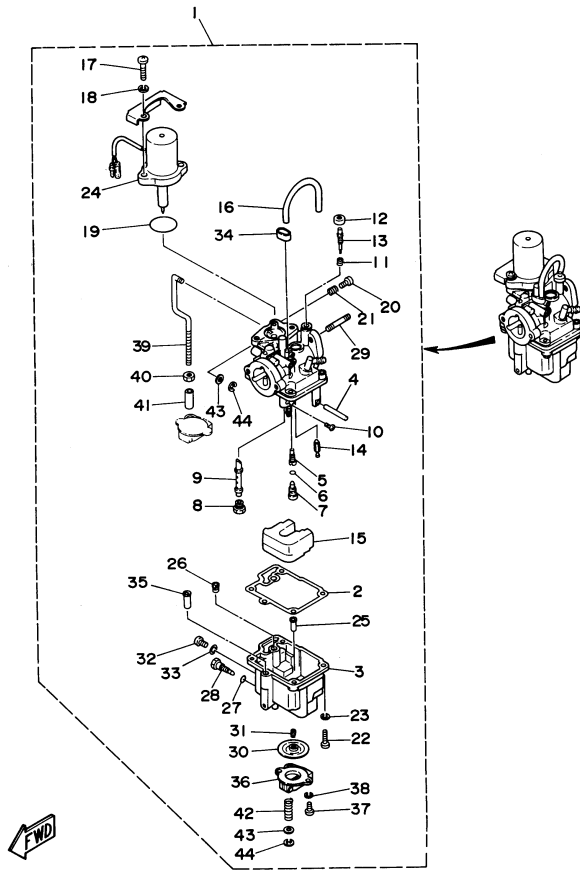
Part Notes

T9.9ELHV 1997 / INTAKE

PART NUMBER	NOTE TEXT
92990-06600-00 	OEM: This part number is among the Top 100 Most Popular Marine Maintenance Parts as of March 2014.
92990-06600-00 	OEM: This part number is among the Top 100 Most Popular Marine Maintenance Parts as of March 2014.

©2014 Yamaha Motor Corporation, U.S.A. All rights reserved.

T9.9ELHV 1997 / CARBURETOR



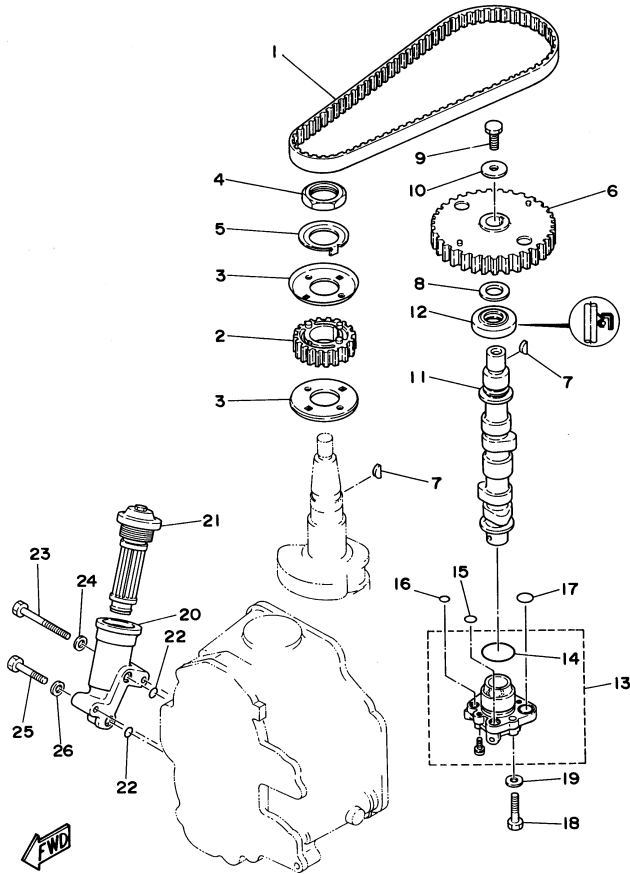
©2014 Yamaha Motor Corporation, U.S.A. All rights reserved.

Part List

T9.9ELHV 1997 / CARBURETOR

REF - NO	PART NUMBER	PART NAME	QUANTITY	REMARKS
1	6G8-14301-05-00	CARBURETOR ASSEMBLY 1	1	
2	6G8-14384-01-00	.GASKET, FLOAT CHAMBER	1	
3	6G8-14381-02-00	.BODY, FLOAT CHAMBER	1	
4	647-14386-10-00	.PIN, FLOAT	1	
5	6G8-14342-24-00	.JET, PILOT (#48)	1	
6	654-14198-00-00	.GASKET	1	
7	6G8-14345-00-00	.PLUG, MAIN NOZZLE	1	
8	648-14343-43-00	.JET, MAIN (#86)	1	
9	6G8-14341-20-00	.NOZZLE, MAIN	1	
10	6G8-14216-00-00	.SCREW	1	
11	647-14334-00-00	.SPRING	1	
12	6G8-14997-00-00	.SEAL	1	
13	6G8-14323-00-00	.SCREW, AIR ADJUSTING	1	
14	6G8-14392-00-00	.VALVE, NEEDLE	1	
15	6G8-14385-00-00	.FLOAT	1	
16	6G8-14197-01-00	.PIPE	1	
17	97880-06018-00	.SCREW, PAN HEAD	2	
18	92995-06100-00	.WASHER, SPRING	2	
19	1HV-14147-00-00	.O-RING	1	
20	664-14321-01-00	.SCREW, THROTTLE	1	
21	646-14212-00-00	.SPRING, PILOT ADJUSTING	1	
22	98580-04016-00	.SCREW, PAN HEAD	4	
23	92990-04100-00	.WASHER, SPRING	4	
24	6G8-1410A-01-00	.STARTER SET	1	
25	6G8-14827-00-00	.FILTER	1	
26	6A4-14344-30-00	.JET, STARTER (#60)	1	
27	5Y1-14397-00-00	.O-RING	1	
28	6G8-14383-00-00	.SCREW, DRAIN	1	
29	90116-06M26-00	.BOLT, STUD	2	
30	6G8-14368-02-00	.DIAPHRAGM ASSEMBLY	1	
31	6G8-14275-01-00	.SPRING	1	
32	97890-05006-00	.SCREW, PAN HEAD	1	
33	646-14198-01-00	.GASKET	1	
34	6G8-14349-00-00	.PIPE	1	
35	6G8-14217-00-00	.VALVE, CHOKE	1	
36	6G8-14293-03-00	.COVER 1	1	
37	98580-04010-00	.SCREW, PAN HEAD	2	
38	92990-04100-00	.WASHER, SPRING	2	
39	6G8-14379-00-00	.ROD, STARTER	1	
40	98813-03100-00	.NUT	1	
41	6G8-14229-00-00	.SHAFT, CHOKE	1	
42	6G8-14286-01-00	.SPRING	1	
43	6G8-14357-00-00	.WASHER, PLAIN	2	
44	389-14137-00-00	.CLIP	2	

T9.9ELHV 1997 / OIL PUMP



©2014 Yamaha Motor Corporation, U.S.A. All rights reserved.

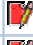
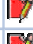

Part List

T9.9ELHV 1997 / OIL PUMP

REF - NO	PART NUMBER	PART NAME	QUANTITY	REMARKS
1	6G8-46241-00-00	V-BELT	1	
2	6G8-11536-00-94	GEAR, DRIVE	1	
3	6G8-11557-00-00	WASHER 1	2	
4	90170-24M09-00	NUT	1	
5	6G8-11587-00-00	WASHER, LOCK	1	
6	6G8-11537-00-94	GEAR, DRIVEN	1	
7	90280-03M01-00	.KEY, WOODRUFF	2	
8	90201-13201-00	WASHER, PLATE	1	
9	97095-06016-00	BOLT	1	
10	90201-06M94-00	WASHER, PLATE	1	
11	6G8-12171-00-00	CAMSHAFT 1	1	
12	93102-18M21-00	.OIL SEAL	1	
13	6G8-13300-02-00	OIL PUMP ASSY	1	
14	93210-27ME3-00	.O-RING	1	
15	93210-10M61-00	.O-RING	1	
16	93210-09M01-00	.O-RING	1	
17	93210-13M63-00	.O-RING	2	
18	97095-06025-00	BOLT	3	
19	92990-06600-00	WASHER, PLATE	3	
20	6G8-13442-00-94	HOUSING, OIL FILTER	1	
21	6G8-13440-00-00	ELEMENT ASSY,OIL CLEANER	1	
22	93210-09M01-00	.O-RING	2	
23	97313-06050-00	BOLT	1	
24	92990-06600-00	WASHER, PLATE	1	
25	97095-06030-00	BOLT	1	
26	92990-06600-00	WASHER, PLATE	1	

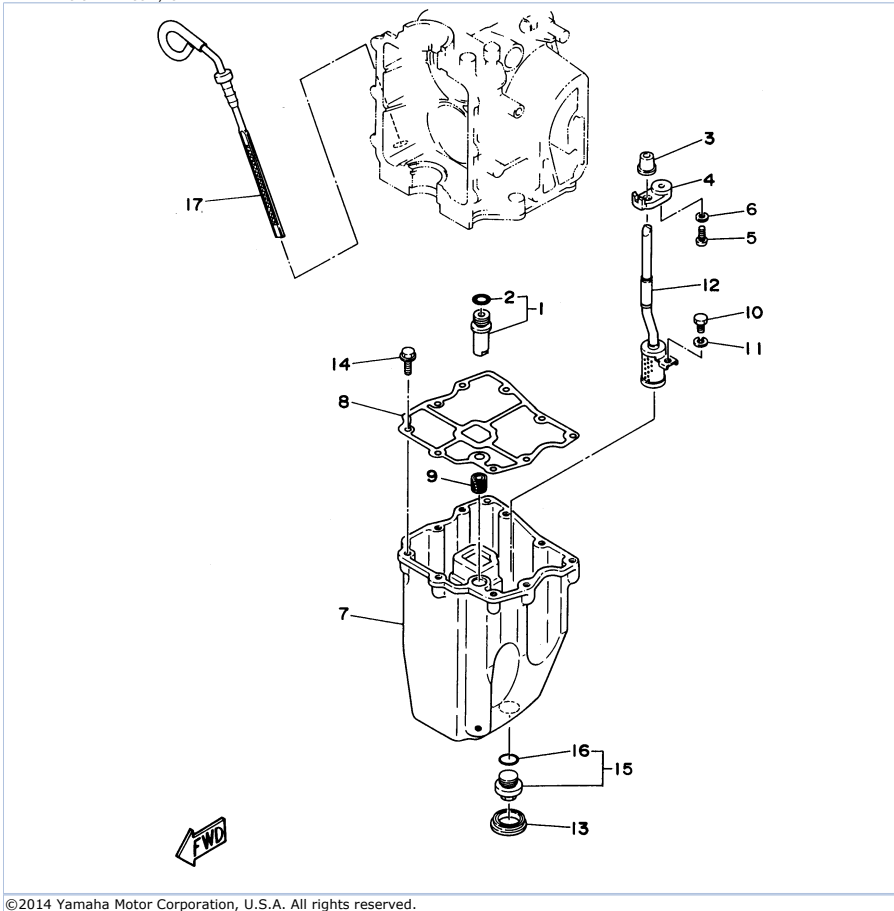
Part Notes

T9.9ELHV 1997 / OIL PUMP

PART NUMBER	NOTE TEXT
92990-06600-00 	OEM: This part number is among the Top 100 Most Popular Marine Maintenance Parts as of March 2014.
92990-06600-00 	OEM: This part number is among the Top 100 Most Popular Marine Maintenance Parts as of March 2014.
92990-06600-00 	OEM: This part number is among the Top 100 Most Popular Marine Maintenance Parts as of March 2014.

©2014 Yamaha Motor Corporation, U.S.A. All rights reserved.

T9.9ELHV 1997 / OIL PAN



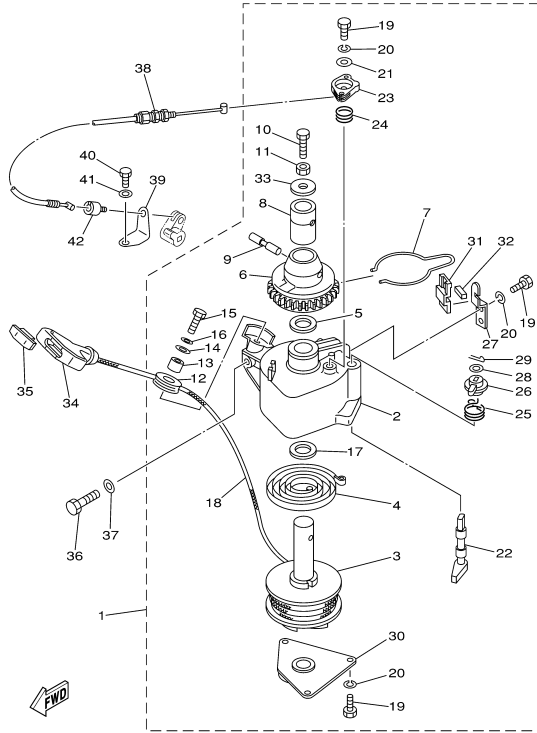
©2014 Yamaha Motor Corporation, U.S.A. All rights reserved.

Part List

T9.9ELHV 1997 / OIL PAN

REF - NO	PART NUMBER	PART NAME	QUANTITY	REMARKS
1	6G8-11575-00-00	RELIEF VALVE ASSY	1	
2	93210-12M62-00	.O-RING	1	
3	6G8-15379-00-00	SEAL, CRANKCASE	1	
4	6G8-13487-00-00	GUIDE, OIL HOSE	1	
5	98580-05012-00	.SCREW, PAN HEAD	1	
6	92990-05600-00	WASHER, PLATE	1	
7	6G8-15311-03-0D	OIL PAN	1	
8	6G8-15312-A1-00	.GASKET, OIL PAN	1	
9	6G8-45127-00-00	SEAL	1	
10	97095-06010-00	BOLT	1	
11	92995-06100-00	WASHER, SPRING	1	
12	6G8-13421-00-00	STRAINER 2	1	
13	6G8-15316-00-00	DAMPER, ENGINE MOUNT 1	1	
14	90105-06M33-00	BOLT, FLANGE	9	
15	6G8-13471-00-00	PLUG, DRAIN	1	
16	93210-16716-00	.O-RING	1	
17	6G8-15362-04-00	PLUG, OIL LEVEL	1	

T9.9ELHV 1997 / STARTER



©2014 Yamaha Motor Corporation, U.S.A. All rights reserved.


Part List

T9.9ELHV 1997 / STARTER

REF - NO	PART NUMBER	PART NAME	QUANTITY	REMARKS
1	6G8-15710-10-00	STARTER ASSY	1	
2	6G8-15711-00-00	.CASE, STARTER	1	
3	6G8-15714-00-00	.DRUM, SHEAVE	1	
4	6G8-15713-00-00	.SPRING, STARTER	1	
5	6G8-15719-00-00	.WASHER, THRUST	1	
6	6G8-15723-00-00	.PULLEY, STARTER	1	
7	6G8-15715-00-00	.SPRING, FRICTION	1	
8	6G8-15754-00-00	.BUSH 2	1	
9	6G8-15727-00-00	.PIN	1	
10	6G8-15768-00-00	.BOLT	1	
11	95304-08700-00	.NUT	1	
12	6F5-15752-00-00	.ROLLER, WIRE	1	
13	6F5-15753-00-00	.BUSH	1	
14	6F5-15791-00-00	.WASHER, LOCK	1	
15	97315-06025-00	.BOLT	1	
16	92995-06100-00	.WASHER, SPRING	1	
17	6G8-15739-00-00	.WASHER, THRUST	1	
18	90580-50M01-00	.ROPE, STARTER	1	
19	97013-05012-00	.BOLT	6	
20	92990-05100-00	.WASHER, SPRING	6	
21	6G8-15742-00-00	.WASHER, DRIVE PAWL	1	
22	6G8-15794-00-00	.STOPPER	1	
23	6G8-15746-00-00	.ARM	1	
24	6G8-15767-00-00	.SPRING	1	
25	6G8-15734-00-00	.SPRING, RETURN	1	
26	6G8-15747-00-00	.LINK	1	
27	6G8-15716-00-00	.PLATE, DRIVE	1	
28	92990-06200-00	.WASHER, PLAIN	1	
29	91490-16020-00	.PIN, COTTER	1	
30	6G8-15712-00-00	.COVER, STARTER CASE	1	
31	6G8-15779-00-00	.COVER	1	
32	6G8-15789-00-00	.DAMPER	1	
33	6G8-15742-00-00	.WASHER, DRIVE PAWL	1	
34	6G1-15755-00-00	.HANDLE, STARTER	1	
35	689-15779-01-00	COVER	1	
36	97013-08030-00	BOLT	3	
37	92990-08600-00	..WASHER, PLATE	3	
38	6G8-15770-00-00	CABLE COMP., STARTER STOP	1	
39	6G8-15771-00-00	STAY 1	1	
40	97095-06012-00	BOLT	1	
41	92990-06600-00	WASHER, PLATE	1	
42	6G8-15772-00-00	STAY 2	1	
43	6G8-44125-00-00	LEVER, SHIFT ROD	1	

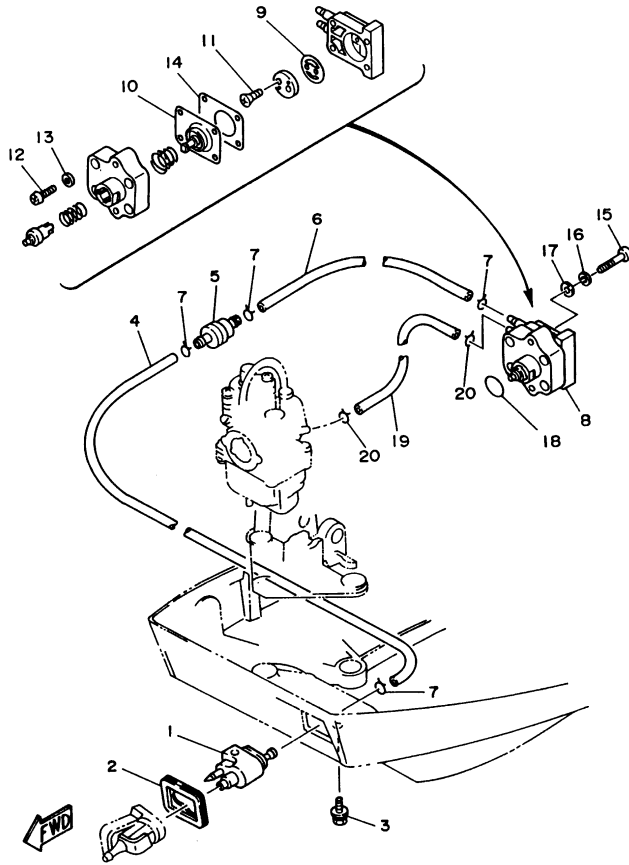
Part Notes

T9.9ELHV 1997 / STARTER

PART NUMBER	NOTE TEXT
92990-06600-00 	OEM: This part number is among the Top 100 Most Popular Marine Maintenance Parts as of March 2014.

©2014 Yamaha Motor Corporation, U.S.A. All rights reserved.

T9.9ELHV 1997 / FUEL



©2014 Yamaha Motor Corporation, U.S.A. All rights reserved.




Part List

T9.9ELHV 1997 / FUEL

REF - NO	PART NUMBER	PART NAME	QUANTITY	REMARKS
1	6G1-24304-02-00	FUEL PIPE JOINT COMP. 1	1	
2	6G8-24329-00-00	SEAL	1	
3	97595-06520-00	BOLT, WITH WASHER	1	
4	6G8-24311-00-00	PIPE, FUEL 1	1	
5	646-24251-02-00	.STRAINER 1	1	
6	90445-09078-00	HOSE	1	
7	90467-08004-00	CLIP	4	
8	6G8-24410-03-00	FUEL PUMP ASSY	1	
9	6G8-24421-00-00	.VALVE, CHECK	1	
10	6G8-24411-02-00	.DIAPHRAGM	1	
11	98780-03008-00	.SCREW, FLAT HEAD	2	
12	98580-04014-00	.SCREW, PAN HEAD	4	
13	92990-04200-00	.WASHER	4	
14	6G8-24471-00-00	.DIAPHRAGM	1	
15	98580-06025-00	SCREW, PAN HEAD	2	
16	92995-06100-00	WASHER, SPRING	2	
17	92990-06600-00	WASHER, PLATE	2	
18	93210-20M65-00	.O-RING	1	
19	90445-09332-00	HOSE (JN3)	1	
20	90467-08004-00	CLIP	2	

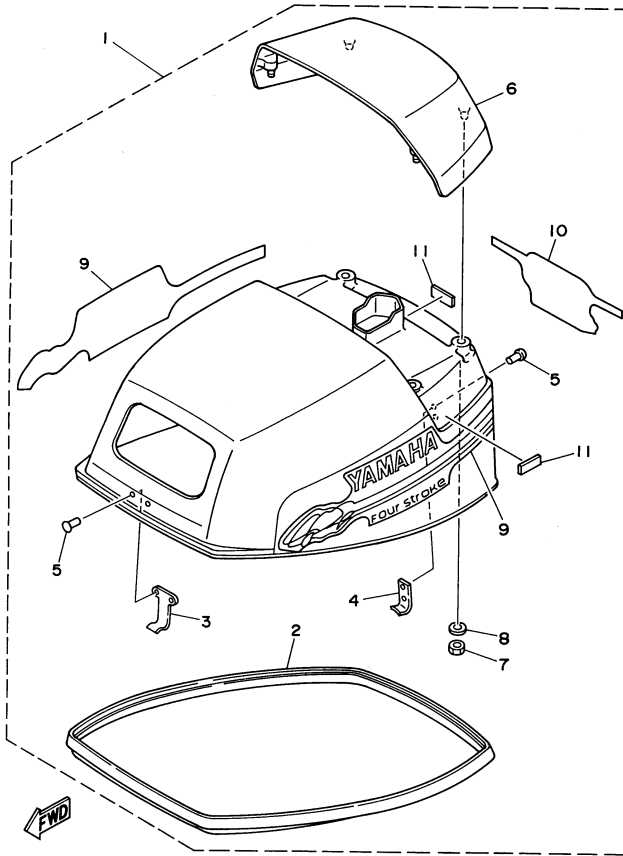
Part Notes

T9.9ELHV 1997 / FUEL

PART NUMBER	NOTE TEXT
646-24251-02-00	 OEM: This part number is among the Top 100 Most Popular Marine Maintenance Parts as of March 2014.
6G8-24410-03-00	 OEM: The new pump has two additional barbs installed in the base so that cooling water from the overboard water pump indicator can be routed through the fuel pump to prevent vapor lock condit
92990-06600-00	 OEM: This part number is among the Top 100 Most Popular Marine Maintenance Parts as of March 2014.

©2014 Yamaha Motor Corporation, U.S.A. All rights reserved.

T9.9ELHV 1997 / TOP COWLING



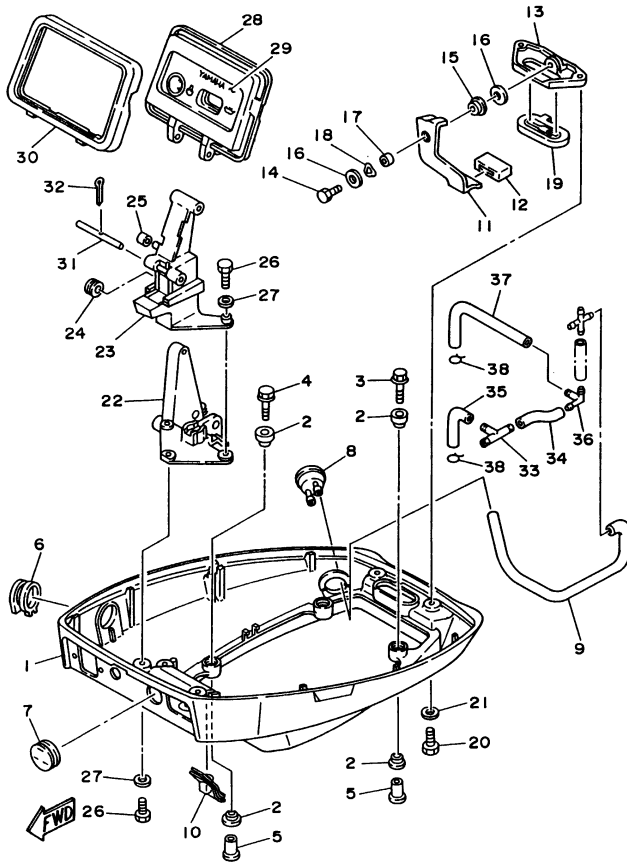
©2014 Yamaha Motor Corporation, U.S.A. All rights reserved.

Part List

T9.9ELHV 1997 / TOP COWLING

REF - NO	PART NUMBER	PART NAME	QUANTITY	REMARKS
1	6G8-42610-51-4D	TOP COWLING ASSY	1	
2	6G8-42615-01-00	.SEAL	1	
3	6G8-42651-00-00	.HOOK	1	
4	6G8-42652-00-00	.HOOK	1	
5	90266-04M04-00	.RIVET	4	
6	6G8-42613-01-4D	.MOLDING, AIR DUCT	1	
7	95380-06700-00	.NUT	4	
8	92990-06200-00	.WASHER, PLAIN	4	
9	6G9-W0070-13-00	.GRAPHIC SET	1	
10	6G8-42678-51-00	.GRAPHIC, REAR	1	
11	6G8-42662-00-00	.DAMPER	3	

T9.9ELHV 1997 / BOTTOM COWLING



©2014 Yamaha Motor Corporation, U.S.A. All rights reserved.

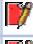

Part List

T9.9ELHV 1997 / BOTTOM COWLING

REF - NO	PART NUMBER	PART NAME	QUANTITY	REMARKS
1	6G8-42711-02-4D	COWLING, BOTTOM 1	1	
2	90480-09M35-00	GROMMET	8	
3	90119-06M56-00	BOLT, WITH WASHER	2	
4	90119-06M55-00	BOLT, WITH WASHER	2	
5	90387-06M15-00	COLLAR	4	
6	6G8-42724-00-00	GROMMET	1	
7	6G8-42725-10-00	GROMMET	1	
8	6G8-44391-00-00	NIPPLE, HOSE	1	
9	90445-09163-00	HOSE (L235)	1	
10	6G8-42727-00-00	GROMMET	1	
11	6G8-42815-00-00	LEVER, CLAMP	1	
12	6G8-42831-00-00	BUSHING	1	
13	6G8-42811-00-94	STAY	1	
14	97095-06016-00	BOLT	1	
15	90386-08M49-00	BUSH	1	
16	90201-06M31-00	.WASHER, PLATE	2	
17	90387-06M72-00	COLLAR	1	
18	90206-08M13-00	WASHER, WAVE	1	
19	6G8-42748-00-00	GROMMET	1	
20	97095-06016-00	BOLT	2	
21	92990-06600-00	WASHER, PLATE	2	
22	6G8-42738-00-94	PLATE, FITTING	1	
23	6G8-42719-00-94	PANEL, FRONT LOWER	1	
24	90480-19031-00	GROMMET	1	
25	90445-05ME6-00	HOSE (L8)	1	
26	97095-06016-00	BOLT	4	
27	92990-06600-00	WASHER, PLATE	4	
28	6G8-42614-02-00	PANEL, FRONT UPPER	1	T9.9MH
29	6G8-42677-00-00	GRAPHIC, FRONT	1	T9.9MH
30	6G8-42629-02-00	SEAL	1	
31	6G8-42755-00-00	HINGE, COWLING	1	
32	91490-16010-00	PIN, COTTER	1	
33	6G8-24379-00-00	PIPE, JOINT 4	1	
34	90445-10M78-00	HOSE (L50)	1	
35	6G8-12476-00-00	PIPE 6	1	
36	6G8-24378-01-00	PIPE, JOINT 3	1	
37	6G8-12485-00-00	PIPE 5	1	
38	90467-10M04-00	CLIP	2	

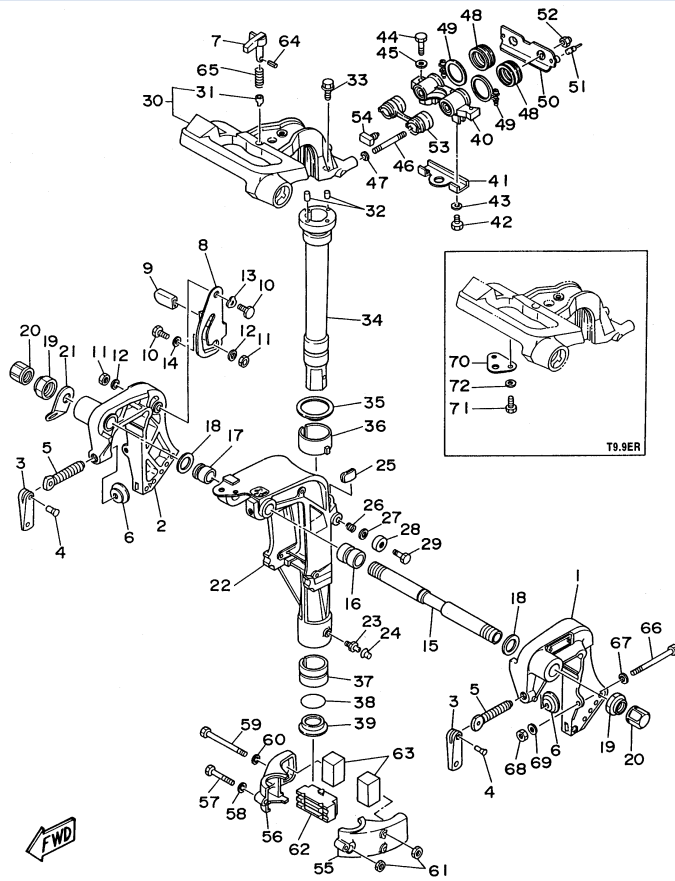
Part Notes

T9.9ELHV 1997 / BOTTOM COWLING

PART NUMBER	NOTE TEXT
92990-06600-00 	OEM: This part number is among the Top 100 Most Popular Marine Maintenance Parts as of March 2014.
92990-06600-00 	OEM: This part number is among the Top 100 Most Popular Marine Maintenance Parts as of March 2014.

©2014 Yamaha Motor Corporation, U.S.A. All rights reserved.

T9.9ELHV 1997 / BRACKET 1



©2014 Yamaha Motor Corporation, U.S.A. All rights reserved.



Part List




T9.9ELHV 1997 / BRACKET 1

REF - NO	PART NUMBER	PART NAME	QUANTITY	REMARKS
1	6G8-43111-04-4D	BRACKET, CLAMP 1	1	
2	6G8-43112-04-4D	BRACKET, CLAMP 2	1	
3	6E0-43118-01-00	HANDLE, TRANSOM CLAMP	2	
4	90243-04M01-00	PIN	2	
5	6E7-43116-00-00	SCREW, TRANSOM CLAMP	2	
6	648-43114-01-00	PAD, TRANSOM CLAMP	2	
7	6G8-42561-00-00	KNOB, STEERING LOCK	1	
8	6G8-43181-00-00	LEVER, TILT STOP	1	
9	682-43318-01-00	COVER	1	
10	90109-06M25-00	BOLT	2	
11	95680-06100-00	NUT, U	2	
12	92990-06600-00	WASHER, PLATE	2	
13	90206-10M15-00	WASHER, WAVE	1	
14	682-43339-01-00	WASHER	1	
15	6G8-43131-00-00	BOLT, CLAMP BRACKET	1	
16	90386-22M92-00	BUSH	1	
17	90386-22M93-00	BUSH	1	
18	90201-22M03-00	WASHER, PLATE	2	
19	90185-22M11-00	NUT, SELF-LOCKING	2	
20	6G5-43145-00-00	CAP, CLAMP BRACKET	1	
21	6J8-43113-01-00	PLATE, CLAMP BRACKET	1	
22	6G8-43311-15-4D	BRACKET, SWIVEL 1	1	
23	93700-06M03-00	NIPPLE, GREASE	1	
24	663-45119-00-00	CAP, GREASE NIPPLE	1	AP
25	6G8-42528-00-00	PLATE, FRICTION	1	
26	90501-18M00-00	SPRING, COMPRESSION	1	
27	90201-06M31-00	.WASHER, PLATE	1	
28	6G8-43373-00-00	SEAL, DAMPER	1	
29	97095-06025-00	BOLT	1	
30	6G8-42511-02-4D	BRACKET, STEERING	1	
31	6G8-42534-00-00	.PIN, DOWEL	1	
32	93605-15065-00	PIN, DOWEL	2	
33	90119-06M06-00	BOLT, WITH WASHER	2	
34	6G8-42521-10-94	SHAFT, STEERING PIVOT	1	
35	90209-45M09-00	WASHER	1	
36	6G8-42537-00-00	BUSHING, PIVOT SHAFT	1	
37	90386-37M47-00	BUSH	1	
38	93210-37M67-00	O-RING	1	
39	90386-37M48-00	BUSH	1	
40	6G8-44517-00-94	MOUNT RUBBER	1	
41	6G8-44526-00-00	PLATE	1	
42	97095-06012-00	BOLT	2	
43	92990-06600-00	WASHER, PLATE	2	
44	97095-08030-00	BOLT	2	
45	92990-08600-00	..WASHER, PLATE	2	
46	90116-08M28-00	BOLT, STUD	2	
47	90201-08M12-00	.WASHER, PLATE	2	
48	6G8-44522-00-00	SEAL	2	
49	90460-38M06-00	CLAMP, HOSE	2	
50	6G8-44518-00-00	BRACKET COMP.	1	
51	6G8-44533-00-00	DAMPER, UPPER MOUNT RUBBER	2	
52	95780-08300-00	..NUT, FLANGE	2	
53	6G8-44521-00-00	SEAL	1	
54	6G8-44532-00-00	STOPPER, UPPER MOUNT	1	
55	6G8-44551-01-4D	HOUSING, LOWER MOUNT RUBBER	1	
56	6G8-44552-02-4D	HOUSING, LOWER MOUNT RUBBER	1	
57	97095-06045-00	.BOLT	1	
58	92990-06600-00	WASHER, PLATE	1	
59	97095-06095-00	BOLT	2	
60	92990-06600-00	WASHER, PLATE	2	
61	95380-06700-00	NUT	3	
62	6G8-44557-00-00	MOUNT DAMPER, LOWER FRONT	1	
63	682-44555-00-00	MOUNT DAMPER, LOWER SIDE	2	
64	91690-30012-00	.PIN, SPRING	1	
65	90501-10071-00	..SPRING, COMPRESSION	1	
66	90101-08M88-00	BOLT	2	
67	92990-08600-00	..WASHER, PLATE	2	
68	95780-08300-00	..NUT, FLANGE	2	
69	90201-08MA4-00	WASHER, PLATE	2	
70	6G8-48511-20-00	HOOK, STEERING	1	T9.9ER
71	97095-06016-00	BOLT	2	T9.9ER
72	92990-06600-00	WASHER, PLATE	2	T9.9ER

Part Notes

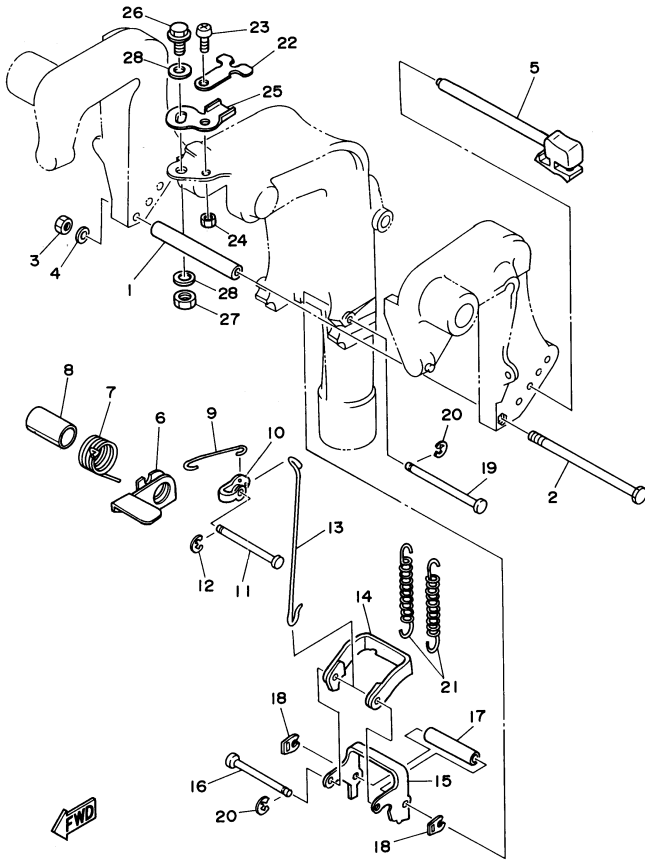
T9.9ELHV 1997 / BRACKET 1

PART NUMBER	NOTE TEXT
92990-06600-00 	OEM: This part number is among the Top 100 Most Popular Marine Maintenance Parts as of March 2014.
92990-06600-00 	OEM: This part number is among the Top 100 Most Popular Marine Maintenance Parts as of March 2014.

92990-06600-00		OEM: This part number is among the Top 100 Most Popular Marine Maintenance Parts as of March 2014.
92990-06600-00		OEM: This part number is among the Top 100 Most Popular Marine Maintenance Parts as of March 2014.
92990-06600-00		OEM: This part number is among the Top 100 Most Popular Marine Maintenance Parts as of March 2014.

©2014 Yamaha Motor Corporation, U.S.A. All rights reserved.

T9.9ELHV 1997 / BRACKET 2



©2014 Yamaha Motor Corporation, U.S.A. All rights reserved.


Part List

T9.9ELHV 1997 / BRACKET 2

REF - NO	PART NUMBER	PART NAME	QUANTITY	REMARKS
1	90387-06M09-00	COLLAR	1	
2	97095-06135-00	BOLT	1	
3	95380-06700-00	NUT	1	
4	92990-06600-00	WASHER, PLATE	1	
5	6G8-43160-01-00	TILT ROD ASSY	1	
6	6G8-43631-03-00	LEVER, TILT	1	
7	90508-18M33-00	SPRING, TORSION	1	
8	90386-20M94-00	BUSH	1	
9	6G8-43616-00-00	ROD, TILT LOCK	1	
10	682-43641-00-00	LEVER, TILT	1	
11	90249-06M20-00	PIN	1	
12	99080-05600-00	CIRCLIP	1	
13	6G8-43617-00-00	ROD, TILT LOCK	1	
14	682-43614-00-00	PLATE, TILT LOCK	1	
15	682-43615-01-00	PLATE, TILT LOCK	1	
16	682-43611-01-00	SHAFT, TILT LOCK	1	
17	90387-06M20-00	COLLAR	1	
18	682-43673-00-00	WASHER 1	2	
19	682-43659-00-00	SHAFT, REVERSE LOCK	1	
20	99080-05600-00	CIRCLIP	2	
21	90506-29M16-00	SPRING, TENSION	2	
22	6G8-43319-03-94	PLATE	1	
23	98580-06016-00	SCREW, PAN HEAD	1	
24	95380-06600-00	NUT, HEXAGON	1	
25	6G8-42512-02-94	PLATE, CONTROL	1	
26	97095-10020-00	BOLT	1	
27	95380-10700-00	NUT	1	
28	90201-10M76-00	.WASHER, PLATE	2	

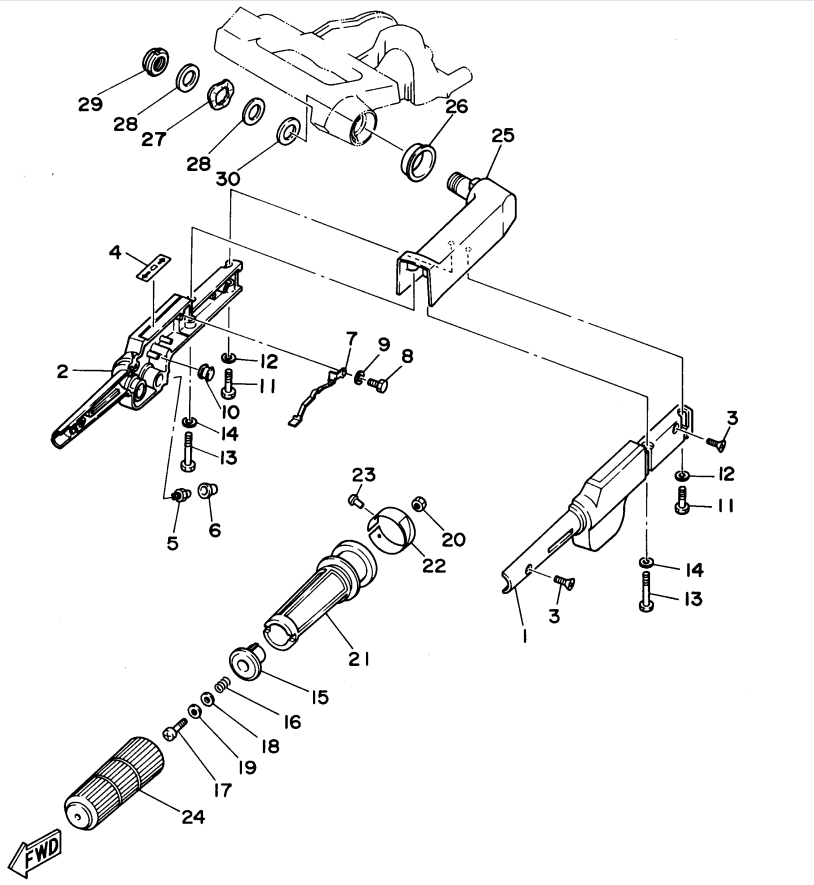
Part Notes

T9.9ELHV 1997 / BRACKET 2

PART NUMBER	NOTE TEXT
92990-06600-00 	OEM: This part number is among the Top 100 Most Popular Marine Maintenance Parts as of March 2014.

©2014 Yamaha Motor Corporation, U.S.A. All rights reserved.

T9.9ELHV 1997 / STEERING MH EH



©2014 Yamaha Motor Corporation, U.S.A. All rights reserved.



Part List

T9.9ELHV 1997 / STEERING MH EH

REF - NO	PART NUMBER	PART NAME	QUANTITY	REMARKS
1	6G8-42111-01-4D	HANDLE, STEERING	1	
2	6G8-42112-02-4D	HANDLE, STEERING	1	
3	98780-05016-00	.SCREW, FLAT HEAD	2	
4	6G8-44191-00-00	INDICATOR, SHIFT	1	
5	93700-06M03-00	NIPPLE, GREASE	1	
6	663-45119-00-00	CAP, GREASE NIPPLE	1	AP
7	6G8-42147-01-00	SPRING	1	
8	97395-05012-00	.BOLT	1	
9	92990-05600-00	WASHER, PLATE	1	
10	6H4-42725-00-00	GROMMET	1	
11	97095-06025-00	BOLT	2	
12	92990-06600-00	WASHER, PLATE	2	
13	97095-06040-00	.BOLT	2	
14	92990-06600-00	WASHER, PLATE	2	
15	6G8-42126-01-94	FRICITION, STEERING HANDLE GRIP	1	
16	90501-23M42-00	SPRING, COMPRESSION	1	
17	97880-06030-00	SCREW, PAN HEAD	1	
18	90201-06049-00	WASHER, PLATE	1	
19	90202-06007-00	WASHER, PLATE	1	
20	95380-06700-00	NUT	1	
21	6G8-42119-00-00	GRIP, STEERING HANDLE	1	
22	6G8-42137-01-00	INDICATOR, THROTTLE	1	
23	90269-02M09-00	RIVET	1	
24	6G8-42177-00-00	RUBBER, HANDLE	1	
25	6G8-42113-01-4D	HANDLE, STEERING	1	
26	90386-33M56-00	BUSH	1	
27	90206-20M14-00	WASHER, WAVE	1	
28	90201-20M00-00	WASHER, PLATE	2	
29	90185-20M03-00	NUT, SELF-LOCKING	1	
30	90202-20M33-00	WASHER, PLATE	1	

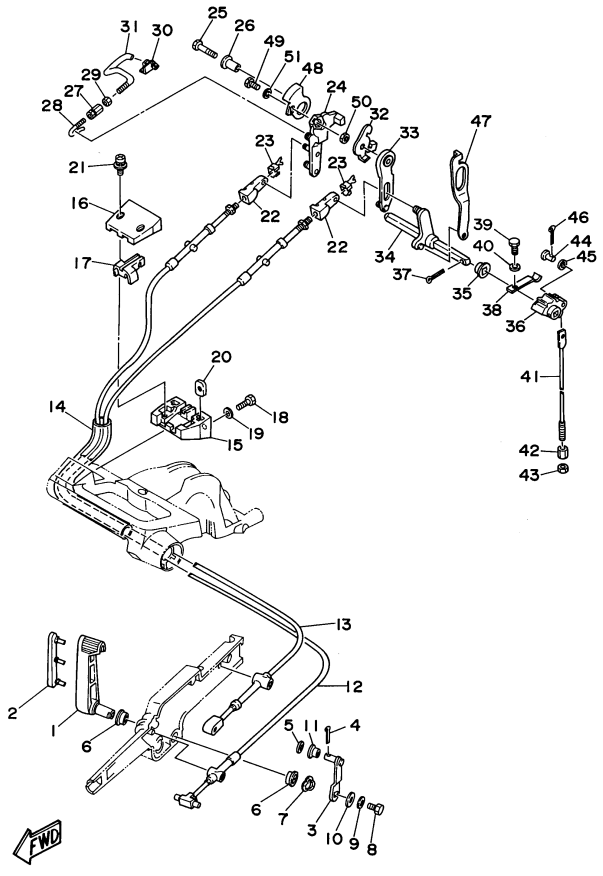
Part Notes

T9.9ELHV 1997 / STEERING MH EH

PART NUMBER	NOTE TEXT
92990-06600-00 	OEM: This part number is among the Top 100 Most Popular Marine Maintenance Parts as of March 2014.
92990-06600-00 	OEM: This part number is among the Top 100 Most Popular Marine Maintenance Parts as of March 2014.

©2014 Yamaha Motor Corporation, U.S.A. All rights reserved.

T9.9ELHV 1997 / CONTROL



©2014 Yamaha Motor Corporation, U.S.A. All rights reserved.


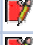


Part List

T9.9ELHV 1997 / CONTROL

REF - NO	PART NUMBER	PART NAME	QUANTITY	REMARKS
1	6G8-44121-00-98	LEVER, SHIFT ROD	1	
2	6G8-42129-00-00	BUSHING, RUBBER	1	
3	6G8-44123-00-00	ARM, SHIFT ROD	1	
4	91490-16010-00	PIN. COTTER	1	
5	92990-05200-00	.WASHER, PLAIN	1	
6	90386-12069-00	BUSH	2	
7	90206-12052-00	WASHER, WAVE	1	
8	97095-06016-00	BOLT	1	
9	92990-06600-00	WASHER, PLATE	1	
10	90201-06M94-00	WASHER, PLATE	1	
11	90386-05M54-00	BUSH	1	
12	6G8-48311-11-00	CABLE	1	AP FOR HANDY REMOTE CONTROL
12	6G8-48311-02-00	CABLE	1	
13	6G8-48321-01-00	CABLE	1	
13	6G8-48321-10-00	CABLE	1	AP FOR HANDY REMOTE CONTROL
14	90445-24M00-00	HOSE (L165)	1	
14	90445-20ME5-00	HOSE	1	AP FOR HANDY REMOTE CONTROL
15	6G8-41661-00-98	BRACKET	1	
16	6G8-41662-00-98	BRACKET	1	
17	6G8-41663-00-00	BRACKET 3	1	
18	97095-06016-00	BOLT	2	
19	92990-06600-00	WASHER, PLATE	2	
20	6G8-41654-00-00	NUT	2	
21	90159-05M06-00	SCREW, WITH WASHER	2	
22	6G8-26363-00-00	.END, WIRE 1	2	
23	6G8-26364-00-00	.END, CABLE	2	
24	6G8-41212-00-00	ARM, ACCEL.	1	
25	97095-06030-00	BOLT	1	
26	90387-06M58-00	COLLAR	1	
27	6G8-41238-01-00	JOINT, LINK	1	
28	6G8-41241-01-00	ROD, LINK	1	
29	95303-04600-00	.NUT	1	
30	6G8-41237-01-00	JOINT, LINK	1	
31	6G8-41242-01-00	ROD 2	1	
32	6G8-14493-00-00	STAY 1	1	
33	6G8-44111-00-00	HANDLE, GEAR SHIFT	1	
34	6G8-44159-00-00	HANDLE, GEAR SHIFT	1	
35	682-44132-00-00	BUSHING	1	
36	682-44121-01-00	LEVER, SHIFT ROD	1	
37	91490-25020-00	PIN. COTTER	1	
38	682-44116-01-00	SPRING	1	
39	97095-06014-00	BOLT	1	
40	92990-06600-00	WASHER, PLATE	1	
41	6G8-44143-10-00	ROD, SHIFT	1	
42	90170-06015-00	NUT	1	
43	95380-06700-00	NUT	1	
44	91790-05020-00	PIN, CLEVIS	1	
45	92990-05600-00	WASHER, PLATE	1	
46	91490-16010-00	PIN. COTTER	1	
47	6G8-44124-11-00	LINK, SHIFT ROD	1	
48	6G8-41212-11-00	ARM, ACCEL.	1	
49	97395-06014-00	BOLT	1	
50	95380-06600-00	NUT, HEXAGON	1	
51	92990-06600-00	WASHER, PLATE	1	

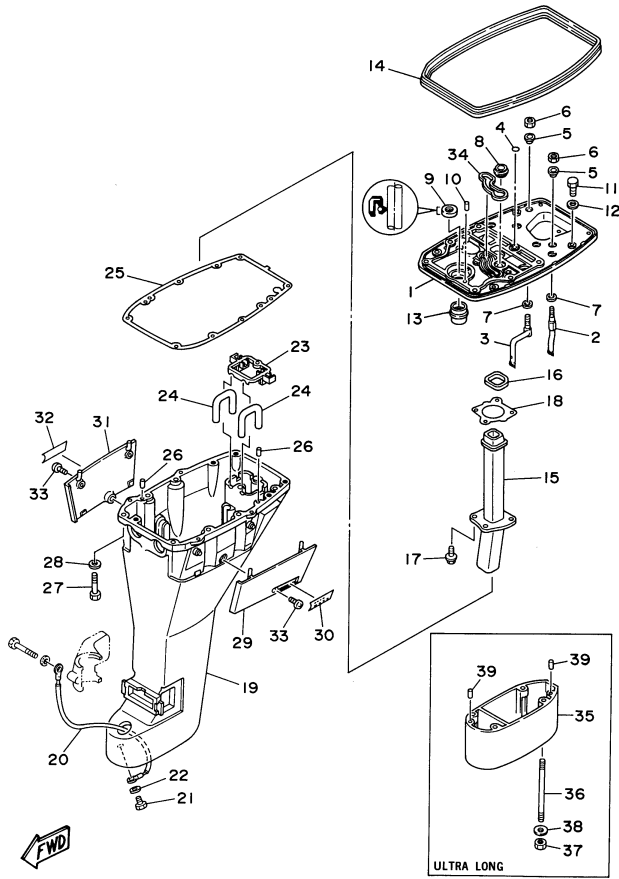
Part Notes

T9.9ELHV 1997 / CONTROL

PART NUMBER		NOTE TEXT
92990-06600-00		OEM: This part number is among the Top 100 Most Popular Marine Maintenance Parts as of March 2014.
92990-06600-00		OEM: This part number is among the Top 100 Most Popular Marine Maintenance Parts as of March 2014.
92990-06600-00		OEM: This part number is among the Top 100 Most Popular Marine Maintenance Parts as of March 2014.
92990-06600-00		OEM: This part number is among the Top 100 Most Popular Marine Maintenance Parts as of March 2014.

©2014 Yamaha Motor Corporation, U.S.A. All rights reserved.

T9.9ELHV 1997 / UPPER CASING



©2014 Yamaha Motor Corporation, U.S.A. All rights reserved.



Part List

T9.9ELHV 1997 / UPPER CASING

REF - NO	PART NUMBER	PART NAME	QUANTITY	REMARKS
1	6G8-41137-04-94	GUIDE, EXHAUST	1	
2	6G8-12483-00-00	PIPE 3	1	
3	6G8-12484-00-00	PIPE 4	1	
4	93210-08M60-00	O-RING	1	
5	90386-10M70-00	BUSH	2	
6	95380-10700-00	NUT	2	
7	90202-10M03-00	WASHER, PLATE	2	
8	6G8-44367-00-00	DAMPER, WATER SEAL	1	
9	93101-13M27-00	O-RING	1	
10	93606-12019-00	.PIN, DOWEL	2	
11	97095-06020-00	BOLT	2	
12	92990-06600-00	WASHER, PLATE	2	
13	6G8-45135-00-00	PIPE	1	
14	6G8-42716-00-00	RUBBER, SEAL 1	1	
15	6G8-41131-01-00	MANIFOLD, EXT. 1	1	
16	6G8-41138-00-00	SEAL, EXT. 1	1	
17	90105-06M33-00	BOLT, FLANGE	4	
18	6G8-41133-A0-00	GASKET, EXHAUST MANIFOLD 1	1	
19	6G8-45111-13-4D	CASING, UPPER	1	
20	6G8-82149-00-00	WIRE, LEAD 3	1	
21	97095-06012-00	BOLT	1	
22	92990-06600-00	WASHER, PLATE	1	
23	6G8-45151-10-00	COVER, UPPER CASING	1	
24	6G8-45136-00-00	PIPE	2	
25	6G8-45113-A1-00	.GASKET, UPPER CASING	1	
26	93606-12019-00	.PIN, DOWEL	2	
27	97395-08040-00	BOLT	6	
28	92990-08600-00	..WASHER, PLATE	6	
29	6G8-42741-00-4D	APRON	1	
30	6G8-42791-00-00	MARK 1	1	
31	6G8-42771-00-4D	APRON	1	
32	6G8-42792-00-00	MARK	1	
33	90157-06M04-00	SCREW, PAN HEAD	2	
34	6G8-11355-00-00	SEAL, CYLINDER 1	1	
35	6G8-45211-20-4D	EXTENSION	1	ULTRA LONG
36	90116-08M19-00	BOLT, STUD	4	ULTRA LONG
37	95380-08600-00	NUT	4	ULTRA LONG
38	92990-08600-00	..WASHER, PLATE	4	ULTRA LONG
39	93606-12019-00	.PIN, DOWEL	2	ULTRA LONG

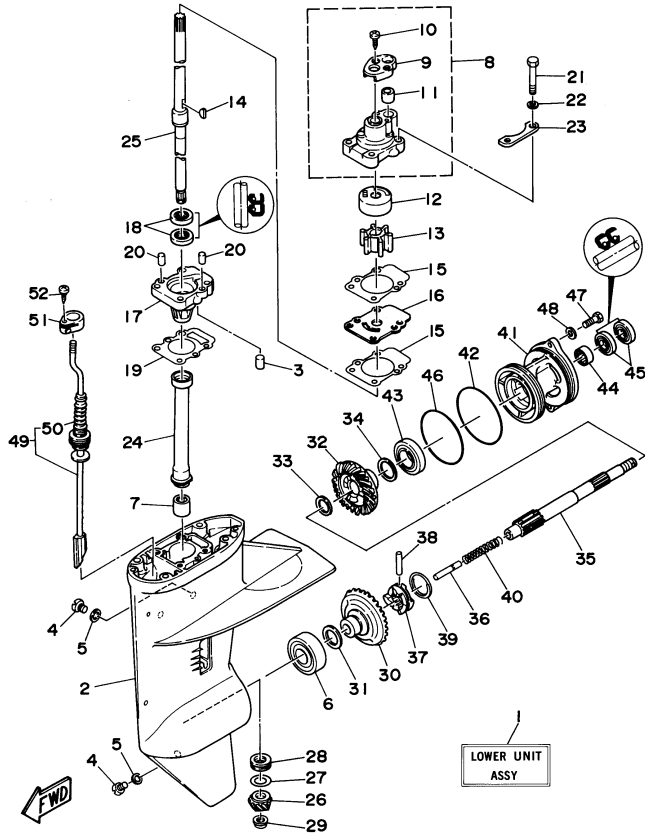
Part Notes

T9.9ELHV 1997 / UPPER CASING

PART NUMBER	NOTE TEXT
92990-06600-00 	OEM: This part number is among the Top 100 Most Popular Marine Maintenance Parts as of March 2014.
92990-06600-00 	OEM: This part number is among the Top 100 Most Popular Marine Maintenance Parts as of March 2014.

©2014 Yamaha Motor Corporation, U.S.A. All rights reserved.

T9.9ELHV 1997 / LOWER CASING DRIVE 1



©2014 Yamaha Motor Corporation, U.S.A. All rights reserved.




Part List

T9.9ELHV 1997 / LOWER CASING DRIVE 1

REF - NO	PART NUMBER	PART NAME	QUANTITY	REMARKS
1	6G8-45300-16-4D	LOWER UNIT ASSY	1	UR LONG
1	6G8-45300-26-4D	LOWER UNIT ASSY	1	UR ULTRA LONG
2	6G8-45311-04-4D	CASING, LOWER	1	
3	93604-08062-00	PIN, DOWEL	1	
4	90340-08M04-00	PLUG, STRAIGHT SCREW	3	
5	90430-08020-00	.GASKET	3	
6	93332-00005-00	BEARING	1	
7	93315-213V4-00	BEARING	1	
8	682-44300-01-00	HOUSING, WATER PUMP	1	
9	682-44312-00-00	.COVER, WATER PUMP HOUSING	1	
10	97780-40112-00	.SCREW, TAPPING	2	
11	682-44365-00-00	.DAMPER, WATER SEAL	1	
12	682-44322-00-00	INSERT, CARTRIDGE	1	
13	682-44323-01-00	IMPELLER	1	
14	90280-03024-00	.KEY, WOODRUFF	1	
15	682-44315-A0-00	GASKET, WATER PUMP	2	
16	682-44323-00-00	OUTER PLATE, CARTRIDGE	1	
17	6G8-45331-00-5B	HOUSING, BEARING	1	
18	93101-20048-00	.OIL SEAL	2	
19	6G8-45315-A0-00	PACKING, LOWER CASING	1	
20	93606-12019-00	.PIN, DOWEL	2	
21	97095-06045-00	.BOLT	4	
22	92990-06600-00	WASHER, PLATE	4	
23	682-44328-00-00	PLATE	2	
24	6G8-45536-00-00	SLEEVE, DRIVE SHAFT	1	
25	6G8-45501-20-00	DRIVE SHAFT COMP.	1	UR ULTRA LONG
25	6G8-45501-10-00	DRIVE SHAFT COMP.	1	UR LONG
26	6G8-45551-00-00	PINION (13T)	1	
27	6G8-45587-00-10	SHIM (T:0.10MM)	1	UR
27	6G8-45587-00-14	SHIM (T:0.14MM)	1	UR
27	6G8-45587-00-18	SHIM (T:0.18MM)	1	UR
27	6G8-45587-00-35	SHIM (T:0.35MM)	1	UR
27	6G8-45587-00-50	SHIM (T:0.50MM)	1	UR
28	93341-313U3-00	BEARING	1	
29	90179-08M06-00	NUT	1	
30	6G8-45560-00-00	GEAR	1	
31	626-45577-00-01	SHIM (T:0.10MM)	1	UR
31	626-45577-00-03	SHIM (T:0.30MM)	1	UR
31	626-45577-00-05	SHIM (T:0.50MM)	1	UR
32	6G8-45571-00-00	GEAR 2 (38T)	1	
33	90201-17682-00	WASHER, PLATE	1	
34	626-45577-00-01	SHIM (T:0.10MM)	1	UR
34	626-45577-00-03	SHIM (T:0.30MM)	1	UR
34	626-45577-00-05	SHIM (T:0.50MM)	1	UR
35	6G8-45611-00-00	SHAFT, PROPELLER	1	
36	650-45635-00-00	PLUNGER, SHIFT	1	
37	682-45631-00-00	CLUTCH, DOG	1	
38	90250-05010-00	PIN, STRAIGHT	1	
39	648-45633-00-00	RING, CROSS PIN	1	
40	90501-14M06-00	SPRING, COMPRESSION	1	
41	6G8-45361-01-4D	CAP, LOWER CASING	1	
42	93210-74316-00	.O-RING	1	
43	93306-00519-00	BEARING	1	
44	93315-317U2-00	BEARING	1	
45	93101-17054-00	.OIL SEAL	2	
46	93210-74M68-00	.O-RING	1	
47	97095-06020-00	BOLT	2	
48	92990-06600-00	WASHER, PLATE	2	
49	6G8-44150-10-00	SHIFT CAM ASSY	1	UR LONG
49	6G8-44150-20-00	SHIFT CAM ASSY	1	UR ULTRA LONG
50	682-44147-00-00	.BOOT, SHIFT ROD	1	
51	682-44176-00-00	BRACKET	1	
52	97780-50110-00	SCREW, PAN HEAD	1	

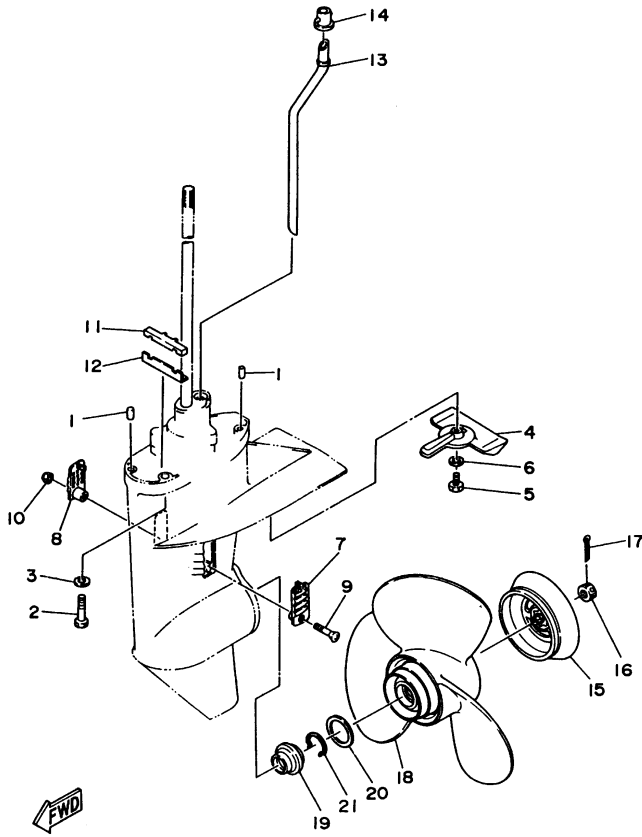
Part Notes

T9.9ELHV 1997 / LOWER CASING DRIVE 1

PART NUMBER	NOTE TEXT
90430-08020-00 	OEM: This part number is among the Top 100 Most Popular Marine Maintenance Parts as of March 2014.
92990-06600-00 	OEM: This part number is among the Top 100 Most Popular Marine Maintenance Parts as of March 2014.
92990-06600-00 	OEM: This part number is among the Top 100 Most Popular Marine Maintenance Parts as of March 2014.

©2014 Yamaha Motor Corporation, U.S.A. All rights reserved.

T9.9ELHV 1997 / LOWER CASING DRIVE 2



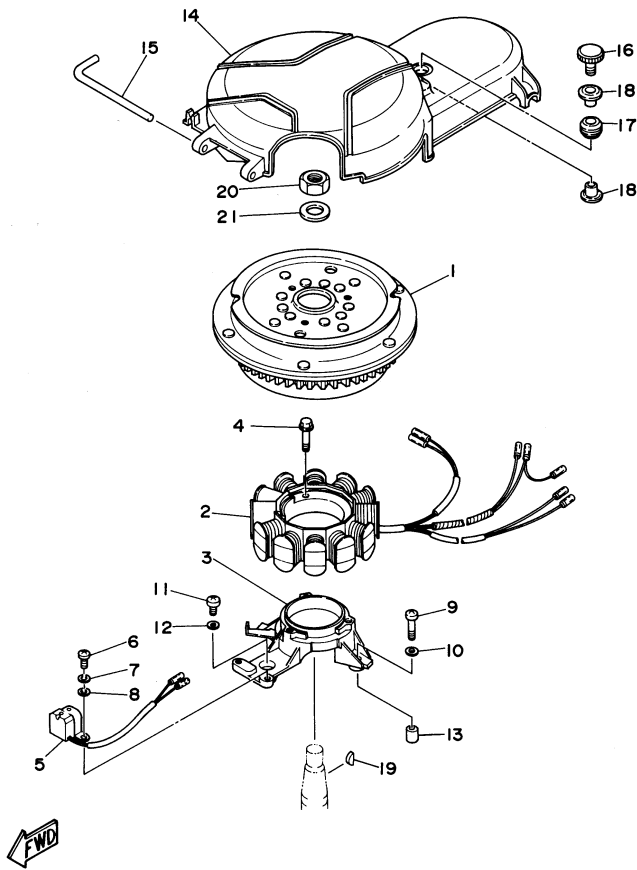
©2014 Yamaha Motor Corporation, U.S.A. All rights reserved.

Part List

T9.9ELHV 1997 / LOWER CASING DRIVE 2

REF - NO	PART NUMBER	PART NAME	QUANTITY	REMARKS
1	93606-12019-00	.PIN, DOWEL	2	
2	97095-08035-00	BOLT	4	
3	92990-08600-00	..WASHER, PLATE	4	
4	6G8-45251-00-00	ANODE	1	
5	95895-06020-00	BOLT, FLANGE	1	
6	92990-06300-00	WASHER, INTERNAL TOOTH	1	
7	6G8-45214-00-00	COVER, WATER INLET 1	1	
8	6G8-45215-00-00	COVER, WATER INLET 2	1	
9	98780-05525-00	SCREW, FLAT HEAD	1	
10	90185-05904-00	NUT, SELF-LOCKING	1	
11	682-45375-01-00	DAMPER, SEAL	1	
12	682-45376-01-00	GUIDE, SEAL DAMPER	1	
13	6G8-44361-20-00	TUBE, WATER	1	UR ULTRA LONG
13	6G8-44361-10-00	TUBE, WATER	1	UR LONG
14	626-44365-01-00	DAMPER, WATER SEAL	1	
15	6G8-45986-00-00	RING, DEFLECTOR	1	
16	90171-10M07-00	NUT, CASTLE	1	
17	91490-30030-00	PIN, COTTER	1	
18	6G8-45947-00-EL	PROPELLER (3X11-3/4"X9-1/4"-R)	1	UR ALUMINUM
18	6G8-45945-00-00	PROPELLER(3X11-3/4"X12-1/4"-R)	1	UR PLASTIC DUAL THRUST
18	6G8-45941-00-00	PROPELLER (3X11" X 11-3/4"-R)	1	UR PLASTIC DUAL THRUST
18	6G8-45943-00-00	PROPELLER (3X11-3/4"X9-1/4"-R)	1	UR PLASTIC DUAL THRUST
19	6G8-45987-02-00	SPACER 1	1	
20	90201-31MA3-00	WASHER, PLATE	1	
21	93450-10M04-00	CIRCLIP	1	

T9.9ELHV 1997 / GENERATOR



©2014 Yamaha Motor Corporation, U.S.A. All rights reserved.



Part List

T9.9ELHV 1997 / GENERATOR

REF - NO	PART NUMBER	PART NAME	QUANTITY	REMARKS
1	6G8-85550-11-00	ROTOR ASSY	1	UR T9.9MH
1	6G8-85550-01-00	ROTOR ASSY	1	UR T9.9EH
2	6G8-85510-01-00	STATOR ASSY	1	
3	6G8-85561-00-94	BASE, MAGNETO	1	
4	95024-06025-00	BOLT, FLANGE (SMALL HEAD)	3	
5	6G8-85580-02-00	.COIL, PULSER	1	
6	98580-05012-00	.SCREW, PAN HEAD	2	
7	92990-05100-00	.WASHER, SPRING	2	
8	92990-05600-00	WASHER, PLATE	2	
9	98580-06025-00	SCREW, PAN HEAD	2	
10	92990-06600-00	WASHER, PLATE	2	
11	98580-06020-00	SCREW, PAN HEAD	1	
12	92990-06600-00	WASHER, PLATE	1	
13	99530-08012-00	PIN, DOWEL	2	
14	6G8-81337-01-00	COVER, FLYWHEEL	1	
15	6G8-42752-00-00	SHAFT	1	
16	6G8-81323-00-00	SCREW 1	1	
17	90480-15M31-00	GROMMET	1	
18	90387-06M71-00	COLLAR	2	
19	90280-16053-00	KEY, WOODRUFF	1	
20	90170-12066-00	NUT	1	
21	90201-12472-00	WASHER, PLATE	1	

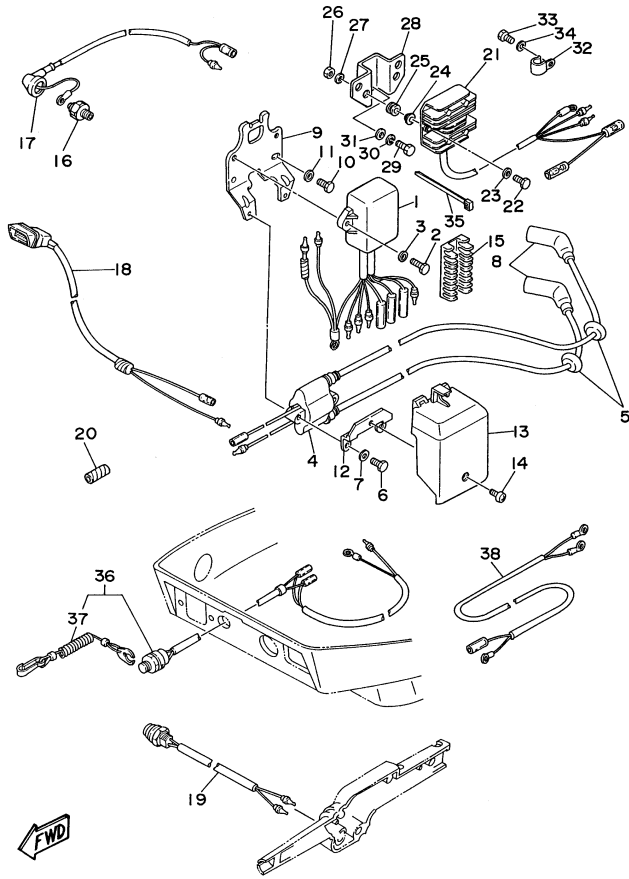
Part Notes

T9.9ELHV 1997 / GENERATOR

PART NUMBER	NOTE TEXT
92990-06600-00 	OEM: This part number is among the Top 100 Most Popular Marine Maintenance Parts as of March 2014.
92990-06600-00 	OEM: This part number is among the Top 100 Most Popular Marine Maintenance Parts as of March 2014.

©2014 Yamaha Motor Corporation, U.S.A. All rights reserved.

T9.9ELHV 1997 / ELECTRIC PARTS



©2014 Yamaha Motor Corporation, U.S.A. All rights reserved.









Part List

T9.9ELHV 1997 / ELECTRIC PARTS

REF - NO	PART NUMBER	PART NAME	QUANTITY	REMARKS
1	6G8-85540-22-00	C.D.I. UNIT ASSEMBLY	1	
2	97095-06020-00	BOLT	2	
3	92990-06600-00	WASHER, PLATE	2	
4	6G8-85570-21-00	IGNITION COIL ASSY	1	
5	90480-25161-00	GROMMET	2	
6	97095-06025-00	BOLT	2	
7	92990-06600-00	WASHER, PLATE	2	
8	6G8-82370-20-00	PLUG CAP ASSEMBLY	2	
9	6G8-85542-00-00	BRACKET	1	
10	97095-06020-00	BOLT	2	
11	92990-06600-00	WASHER, PLATE	2	
12	6G8-85525-00-00	PLATE	1	
13	6G8-81916-00-00	COVER, TERMINAL	1	
14	98980-06008-00	SCREW, BIND	1	
15	6G8-82522-00-00	CLAMP, COUPLER	1	
16	6G8-82504-00-00	OIL PRESSURE SWITCH ASSY	1	
17	6G8-82127-00-00	WIRE, LEAD 2	1	
18	6G8-83582-01-00	PILOT LIGHT ASSY	1	
19	6G8-82550-20-00	ENGINE STOP SWITCH ASSY	1	AP FOR HANDY REMOTE CONTROL
19	6G8-82550-10-00	ENGINE STOP SWITCH ASSY	1	
20	90446-10M02-00	HOSE	1	
21	6G8-81960-00-00	RECTIFIER & REGULATOR ASSY	1	
22	97095-06025-00	BOLT	2	
23	92990-06600-00	WASHER, PLATE	2	
24	90387-06M70-00	COLLAR	2	
25	90480-13M24-00	GROMMET	2	
26	95380-06700-00	NUT	2	
27	92990-06600-00	WASHER, PLATE	2	
28	6G8-81948-02-00	BRACKET	1	
29	97095-06020-00	BOLT	1	
30	92995-06100-00	WASHER, SPRING	1	
31	92990-06600-00	WASHER, PLATE	1	
32	90465-08028-00	CLAMP	1	
33	97013-06012-00	BOLT	1	
34	92990-06600-00	WASHER, PLATE	1	
35	90465-13M11-00	CLAMP	1	
36	6G8-82575-00-00	ENGINE STOP SWITCH ASSY	1	
37	682-82556-00-00	LANYARD, STOP SWITCH	1	
38	6G8-81949-00-00	WIRE, LEAD	1	AP FOR CHARGING

Part Notes

T9.9ELHV 1997 / ELECTRIC PARTS

PART NUMBER	NOTE TEXT
92990-06600-00 	OEM: This part number is among the Top 100 Most Popular Marine Maintenance Parts as of March 2014.
92990-06600-00 	OEM: This part number is among the Top 100 Most Popular Marine Maintenance Parts as of March 2014.
92990-06600-00 	OEM: This part number is among the Top 100 Most Popular Marine Maintenance Parts as of March 2014.
92990-06600-00 	OEM: This part number is among the Top 100 Most Popular Marine Maintenance Parts as of March 2014.
92990-06600-00 	OEM: This part number is among the Top 100 Most Popular Marine Maintenance Parts as of March 2014.
92990-06600-00 	OEM: This part number is among the Top 100 Most Popular Marine Maintenance Parts as of March 2014.
92990-06600-00 	OEM: This part number is among the Top 100 Most Popular Marine Maintenance Parts as of March 2014.
682-82556-00-00 	OEM: This part number is among the Top 100 Most Popular Marine Maintenance Parts as of March 2014.

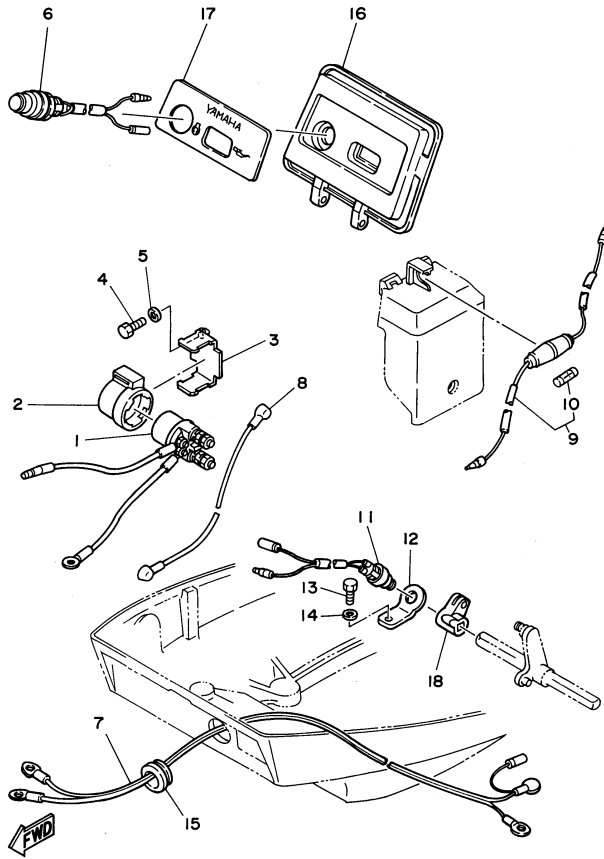
©2014 Yamaha Motor Corporation, U.S.A. All rights reserved.

Part List

T9.9ELHV 1997 / ELECTRIC MOTOR EH ER

REF - NO	PART NUMBER	PART NAME	QUANTITY	REMARKS
1	6G8-81800-11-00	STARTING MOTOR ASSY	1	
2	689-81850-12-00	.ARMATURE ASSY	1	
3	689-81809-11-00	.WASHER KIT	1	
4	689-81810-11-00	.STATOR ASSY	1	
5	689-81847-11-00	.O-RING	2	
6	689-81811-11-00	.BRUSH 1	1	
7	689-81840-11-00	.BRUSH HOLDER ASSY	1	
8	689-81812-11-00	..BRUSH 2	1	
9	689-81813-10-00	.SPRING, BRUSH	2	
10	689-81820-11-00	.REAR BRACKET ASSY	1	
11	689-81807-12-00	.GEAR ASSY, STARTING MOTOR	1	
12	689-81857-11-00	.PINION STOPPER SET	1	
13	6F5-81830-11-00	.FRONT BRACKET ASSY	1	
14	689-81831-00-00	..METAL, FRONT	1	
15	689-81826-10-00	.BOLT	2	
16	97095-08025-00	BOLT	2	
17	92990-08600-00	..WASHER, PLATE	2	
18	97095-08016-00	BOLT	1	
19	92990-08600-00	..WASHER, PLATE	1	
20	6G8-81822-40-94	BRACKET, STARTING MOTOR	1	

T9.9ELHV 1997 / ELECTRIC PARTS 1 EH



©2014 Yamaha Motor Corporation, U.S.A. All rights reserved.



Part List

T9.9ELHV 1997 / ELECTRIC PARTS 1 EH

REF - NO	PART NUMBER	PART NAME	QUANTITY	REMARKS
1	6J0-81941-10-00	STARTER RELY ASSY	1	
2	6G1-81952-00-00	HOLDER, RELAY	1	
3	6G8-81953-00-00	STAY, RELAY	1	
4	97013-06012-00	BOLT	1	
5	92990-06600-00	WASHER, PLATE	1	
6	6G8-81870-00-00	STARTING SWITCH ASSY	1	
7	6G8-82105-01-00	BATTERY CABLE	1	
8	6H4-82117-00-00	WIRE, LEAD	1	
9	6G8-82150-00-00	FUSE HOLDER ASSY	1	
10	682-82151-00-00	.FUSE (12V-20A)	1	
11	6H3-82540-00-00	NEUTRAL SWITCH ASSY	1	
12	6G8-82554-00-00	STAY, NEUTRAL SWITCH	1	
13	97013-06012-00	BOLT	1	
14	92990-06600-00	WASHER, PLATE	1	
15	6G8-42724-40-00	GROMMET	1	
16	6G8-42614-12-00	PANEL, FRONT UPPER	1	
17	6G8-42677-10-00	GRAPHIC, FRONT	1	
18	6G8-44125-00-00	LEVER, SHIFT ROD	1	

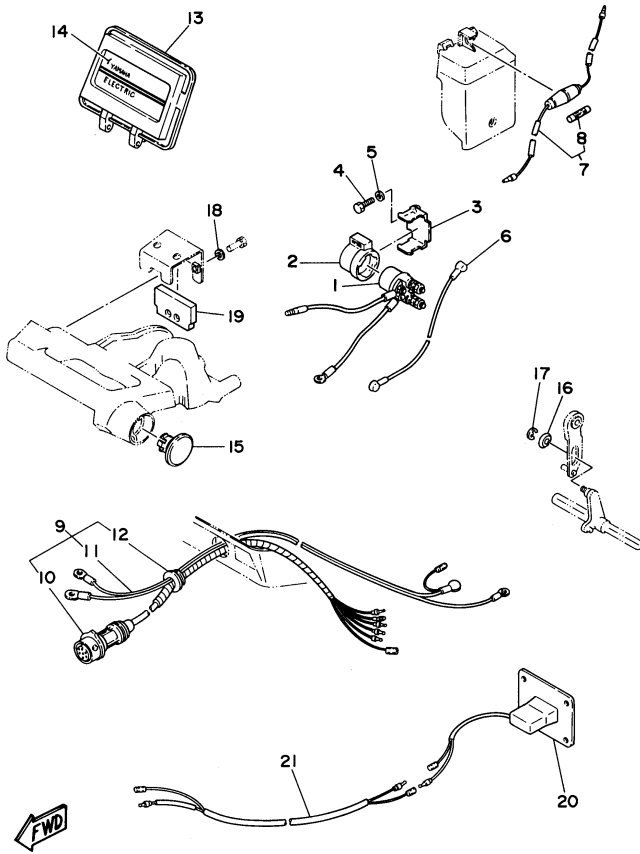
Part Notes

T9.9ELHV 1997 / ELECTRIC PARTS 1 EH

PART NUMBER	NOTE TEXT
92990-06600-00 	OEM: This part number is among the Top 100 Most Popular Marine Maintenance Parts as of March 2014.
92990-06600-00 	OEM: This part number is among the Top 100 Most Popular Marine Maintenance Parts as of March 2014.

©2014 Yamaha Motor Corporation, U.S.A. All rights reserved.

T9.9ELHV 1997 / ELECTRIC PARTS 2 ER



©2014 Yamaha Motor Corporation, U.S.A. All rights reserved.



Part List

T9.9ELHV 1997 / ELECTRIC PARTS 2 ER

REF - NO	PART NUMBER	PART NAME	QUANTITY	REMARKS
1	6J0-81941-10-00	STARTER RELY ASSY	1	
2	6G1-81952-00-00	HOLDER, RELAY	1	
3	6G8-81953-00-00	STAY, RELAY	1	
4	97013-06012-00	BOLT	1	
5	92990-06600-00	WASHER, PLATE	1	
6	6H4-82117-00-00	WIRE, LEAD	1	
7	6G8-82150-00-00	FUSE HOLDER ASSY	1	
8	682-82151-00-00	.FUSE (12V-20A)	1	
9	6G8-82580-00-00	WIRE HARNESS ASSY 2	1	
10	6G8-82590-00-00	.WIRE HARNESS ASSY	1	
11	6G8-82105-01-00	.BATTERY CABLE	1	
12	6G8-42724-50-00	.GROMMET	1	
13	6G8-42614-12-00	PANEL, FRONT UPPER	1	
14	6G8-42677-20-00	GRAPHIC, FRONT	1	
15	6G8-42551-00-00	GROMMET	1	
16	90387-06M73-00	COLLAR	1	
17	93430-04M03-00	CIRCLIP	1	
18	92990-06600-00	WASHER, PLATE	2	
19	6G8-48351-51-00	SEAL RUBBER	1	
20	6G8-83530-00-00	PILOT LIGHT ASSY	1	
21	6G8-82541-00-00	WIRE, LEAD	1	

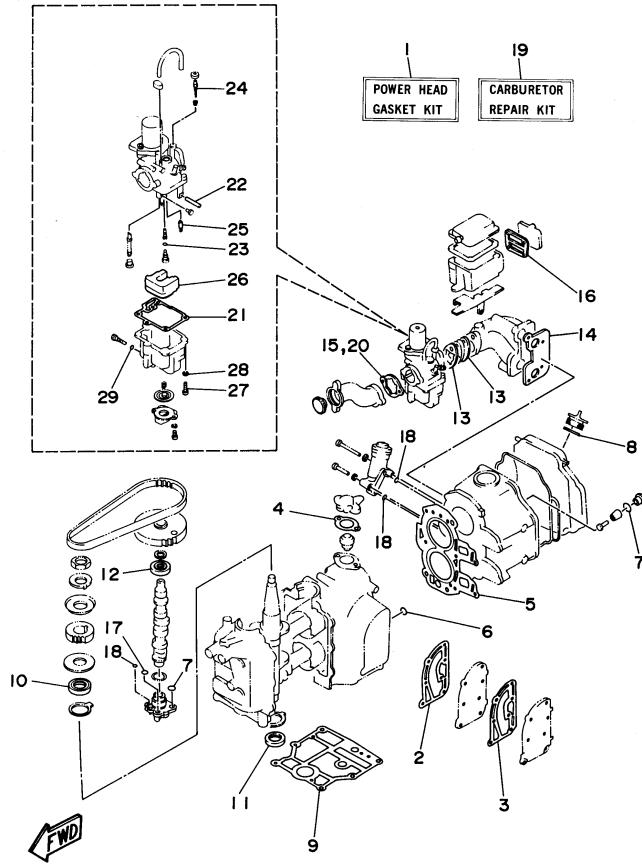
Part Notes

T9.9ELHV 1997 / ELECTRIC PARTS 2 ER

PART NUMBER	NOTE TEXT
92990-06600-00 	OEM: This part number is among the Top 100 Most Popular Marine Maintenance Parts as of March 2014.
92990-06600-00 	OEM: This part number is among the Top 100 Most Popular Marine Maintenance Parts as of March 2014.

©2014 Yamaha Motor Corporation, U.S.A. All rights reserved.

T9.9ELHV 1997 / REPAIR KIT 1



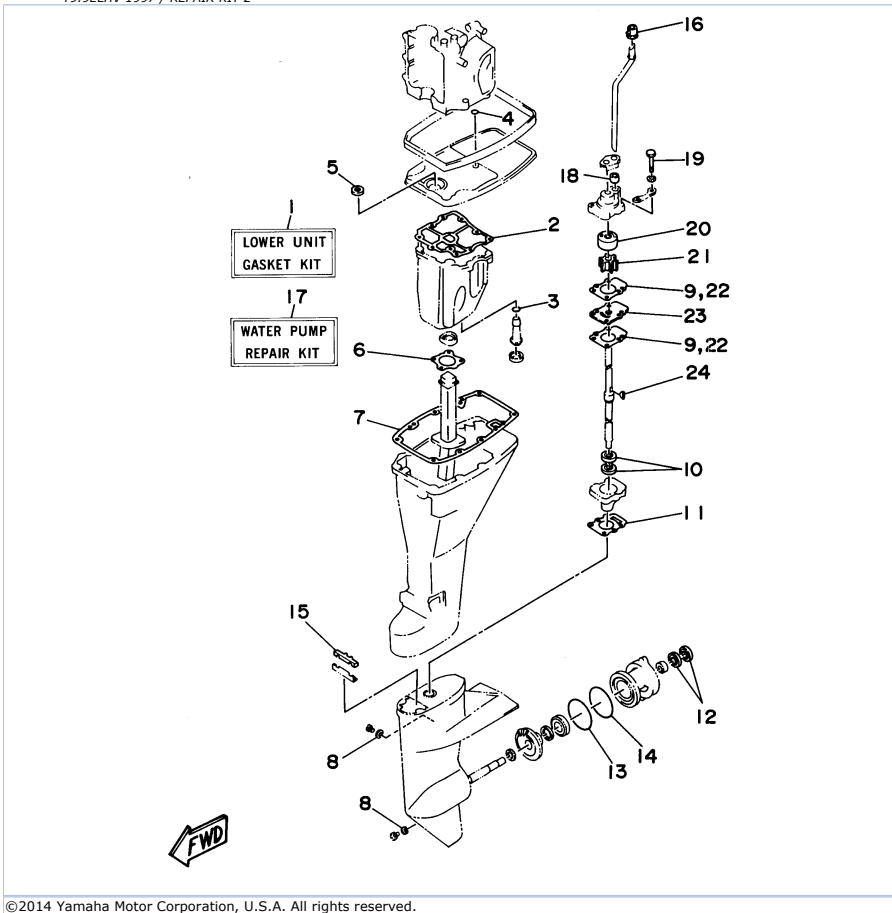
©2014 Yamaha Motor Corporation, U.S.A. All rights reserved.

Part List

T9.9ELHV 1997 / REPAIR KIT 1

REF - NO	PART NUMBER	PART NAME	QUANTITY	REMARKS
1	6G8-W0001-A3-00	POWER HEAD GASKET KIT	1	
2	6G8-41112-02-00	.GASKET, EXHAUST INNER COVER	1	
3	6G8-41114-00-00	.GASKET, EXHAUST OUTER COVER	1	
4	6G8-12414-A0-00	.GASKET, COVER	1	
5	6G8-11181-A1-00	.GASKET, CYLINDER HEAD 1	1	
6	93210-11M59-00	.O-RING	1	
7	93210-13M63-00	.O-RING	3	
8	93210-25070-00	.O-RING	1	
9	6G8-11351-A0-00	.GASKET, CYLINDER	1	
10	93102-30M22-00	.OIL SEAL	1	
11	93101-25M24-00	.OIL SEAL	1	
12	93102-18M21-00	.OIL SEAL	1	
13	6G8-13646-A0-00	.GASKET, MANIFOLD 2	2	
14	6G8-13645-00-00	.GASKET, MANIFOLD 1	1	
15	6G8-14198-A0-00	.GASKET	1	
16	6G8-15374-00-00	.GASKET, BREATHER	1	
17	93210-10M61-00	.O-RING	1	
18	93210-09M01-00	.O-RING	3	
19	6G8-W0093-03-00	CARBURETOR REPAIR KIT	1	
20	6G8-14198-A0-00	.GASKET	1	
21	6G8-14384-01-00	.GASKET, FLOAT CHAMBER	1	
22	647-14386-10-00	.PIN, FLOAT	1	
23	654-14198-00-00	.GASKET	1	
24	6G8-14323-00-00	.SCREW, AIR ADJUSTING	1	
25	6G8-14392-00-00	.VALVE, NEEDLE	1	
26	6G8-14385-00-00	.FLOAT	1	
27	98580-04014-00	.SCREW, PAN HEAD	1	
28	92990-04100-00	.WASHER, SPRING	1	
29	5Y1-14397-00-00	.O-RING	1	

T9.9ELHV 1997 / REPAIR KIT 2



©2014 Yamaha Motor Corporation, U.S.A. All rights reserved.


Part List

T9.9ELHV 1997 / REPAIR KIT 2

REF - NO	PART NUMBER	PART NAME	QUANTITY	REMARKS
1	6G8-W0001-C5-00	LOWER UNIT GASKET KIT	1	
2	6G8-15312-A0-00	.GASKET, OIL PAN	1	
3	93210-16716-00	.O-RING	1	
4	93210-08M60-00	.O-RING	1	
5	93101-13M27-00	.O-RING	1	
6	6G8-41133-A0-00	.GASKET, EXHAUST MANIFOLD 1	1	
7	6G8-45113-A1-00	.GASKET, UPPER CASING	1	
8	90430-08020-00	.GASKET	3	
9	682-44315-A0-00	.GASKET, WATER PUMP	2	
10	93101-20048-00	.OIL SEAL	2	
11	6G8-45315-A0-00	.PACKING, LOWER CASING	1	
12	93101-17054-00	.OIL SEAL	2	
13	93210-74M68-00	.O-RING	1	
14	93210-74316-00	.O-RING	1	
15	682-45375-01-00	.DAMPER, SEAL	1	
16	626-44365-01-00	.DAMPER, WATER SEAL	1	
17	682-W0078-A2-00	WATER PUMP REPAIR KIT	1	
18	682-44365-00-00	.DAMPER, WATER SEAL	1	
19	97095-06045-00	.BOLT	4	
20	682-44322-00-00	.INSERT, CARTRIDGE	1	
21	682-44352-01-00	.IMPELLER	1	
22	682-44315-A0-00	.GASKET, WATER PUMP	2	
23	682-44323-00-00	.OUTER PLATE, CARTRIDGE	1	
24	90280-03024-00	.KEY, WOODRUFF	1	

Part Notes

T9.9ELHV 1997 / REPAIR KIT 2

PART NUMBER	NOTE TEXT
90430-08020-00 	OEM: This part number is among the Top 100 Most Popular Marine Maintenance Parts as of March 2014.

©2014 Yamaha Motor Corporation, U.S.A. All rights reserved.

©2014 Yamaha Motor Corporation, U.S.A. All rights reserved.