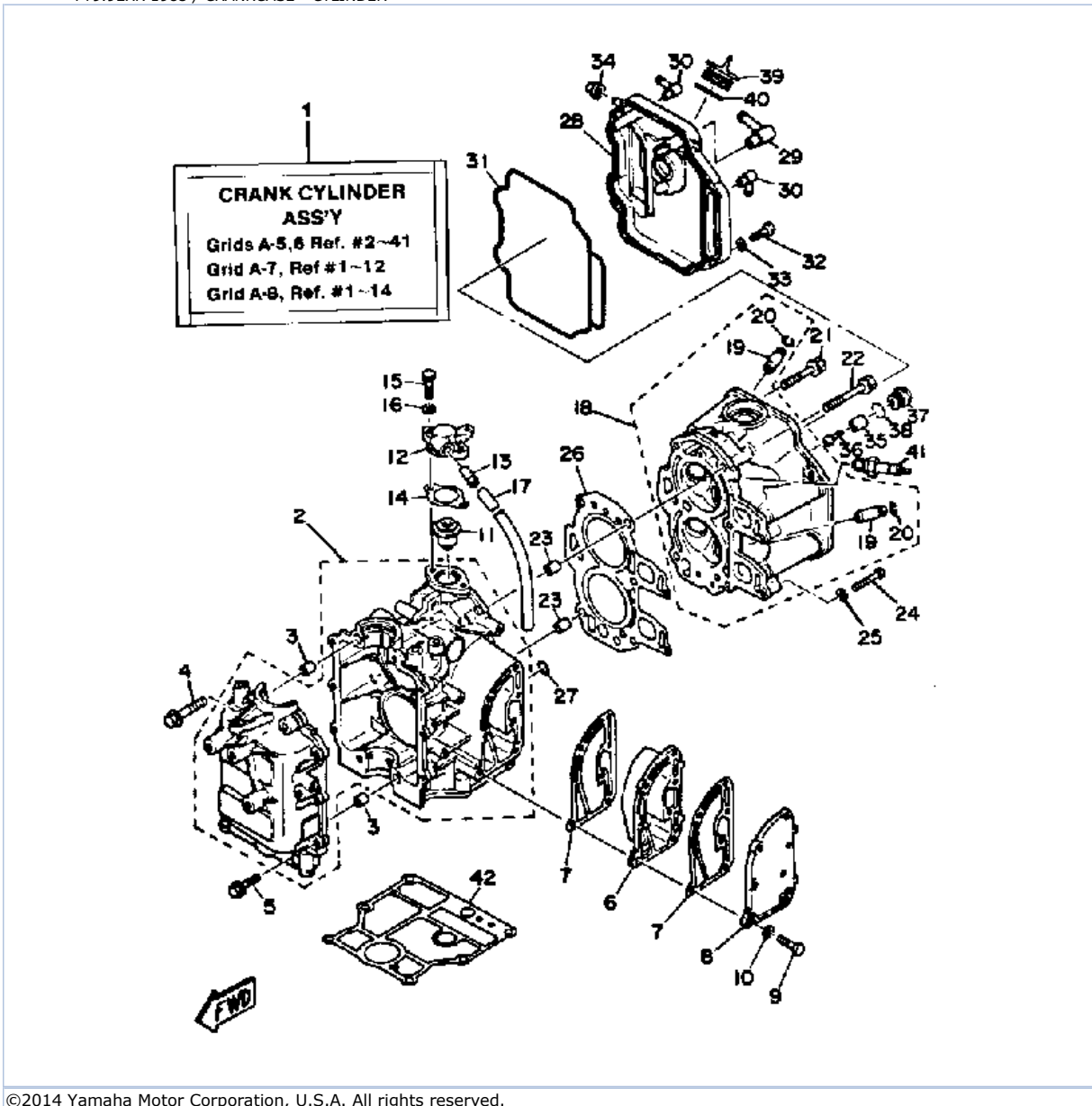


FT9.9EXK 1985 / CRANKCASE - CYLINDER



©2014 Yamaha Motor Corporation, U.S.A. All rights reserved.





Part List

FT9.9EXK 1985 / CRANKCASE - CYLINDER

REF - NO	PART NUMBER	PART NAME	QUANTITY	REMARKS
1	6G8-W0090-06-EK	CRANK CYLINDER ASSEMBLY	1	
1	6G8-W0090-06-EL	CRANK-CYLINDER.ASSEMBLY.	1	
2	6G8-15100-02-94	CRANKCASE ASSEMBLY	1	
3	99510-10114-00	PIN, DOWEL	2	
4	90119-08M18-00	BOLT, WITH WASHER	4	
5	90119-06M12-00	BOLT, WITH WASHER	6	
6	6G8-41111-02-9M	INNER COVER, EXHAUST	1	
7	6G8-41112-02-00	GASKET, EXHAUST INNER COVER	2	
8	6G8-41113-00-9M	EXHAUST OUTER CUR.	1	
9	97313-06025-00	BOLT	7	
10	92990-06600-00	WASHER, PLATE	7	
11	6G8-12411-02-00	THERMOSTAT	1	
12	6G8-12413-00-94	COVER, THERMOSTAT (6G8-12413-00-9M)	1	
13	6E5-24377-00-00	PIPE, JOINT 2	1	
14	6G8-12414-A0-00	.GASKET, COVER	1	
15	97313-06020-00	BOLT, HEXAGON	2	
16	92990-06600-00	WASHER, PLATE	2	
17	90445-11M66-00	.HOSE (L410)	1	
18	6G8-11111-09-94	HEAD, CYLINDER 1	1	
19	6G8-11133-10-00	GUIDE, VALVE 1	4	
20	93450-09M01-00	.CIRCLIP	4	
21	90105-08M37-00	BOLT, FLANGE	3	
22	90105-08M36-00	BOLT, FLANGE	3	
23	99510-10114-00	PIN, DOWEL	2	
24	97013-06035-00	BOLT	2	
25	92990-06600-00	WASHER, PLATE	2	
26	6G8-11181-A0-00	GASKET, CYLINDER HEAD 1	1	
27	93210-11M59-00	O-RING	1	
28	6G8-11191-00-94	COVER, CYLINDER.HEAD 1	1	
29	6G8-15373-00-00	PIPE, BREATHER	1	
30	676-11372-00-00	.NIPPLE, HOSE	2	
31	6G8-11356-00-00	SEAL, CYLINDER 2	1	
32	97313-06020-00	BOLT, HEXAGON	4	
33	92990-06600-00	WASHER, PLATE	4	
34	6G8-81336-00-00	GROMMET	2	
35	6G8-11325-00-00	ANODE	1	
36	98580-05525-00	SCREW, PAN HEAD	1	
37	6G8-11197-00-00	PLUG, BLIND	1	
38	93210-13M63-00	.O-RING	1	
39	6G8-15363-00-00	PLUG, OIL	1	
40	93210-25070-00	O-RING	1	
41	NGK-CR6HS-00-00	PLUG SPARK (NGK CR6HS)	2	
42	6G8-11351-A0-00	GASKET, CYLINDER	1	

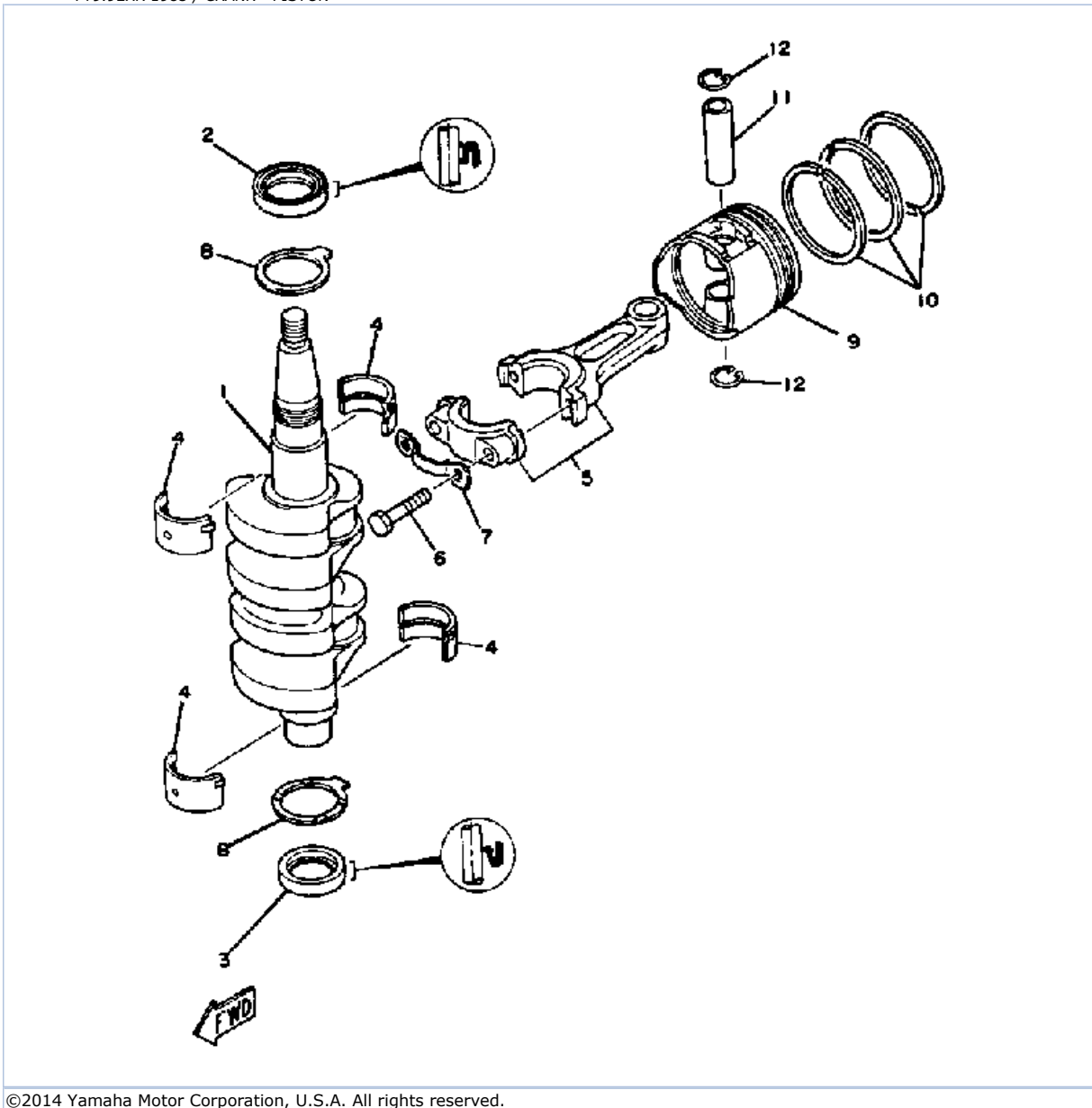
Part Notes

FT9.9EXK 1985 / CRANKCASE - CYLINDER

PART NUMBER		NOTE TEXT
92990-06600-00		OEM: This part number is among the Top 100 Most Popular Marine Maintenance Parts as of March 2014.
92990-06600-00		OEM: This part number is among the Top 100 Most Popular Marine Maintenance Parts as of March 2014.
92990-06600-00		OEM: This part number is among the Top 100 Most Popular Marine Maintenance Parts as of March 2014.
92990-06600-00		OEM: This part number is among the Top 100 Most Popular Marine Maintenance Parts as of March 2014.

©2014 Yamaha Motor Corporation, U.S.A. All rights reserved.

FT9.9EXK 1985 / CRANK - PISTON



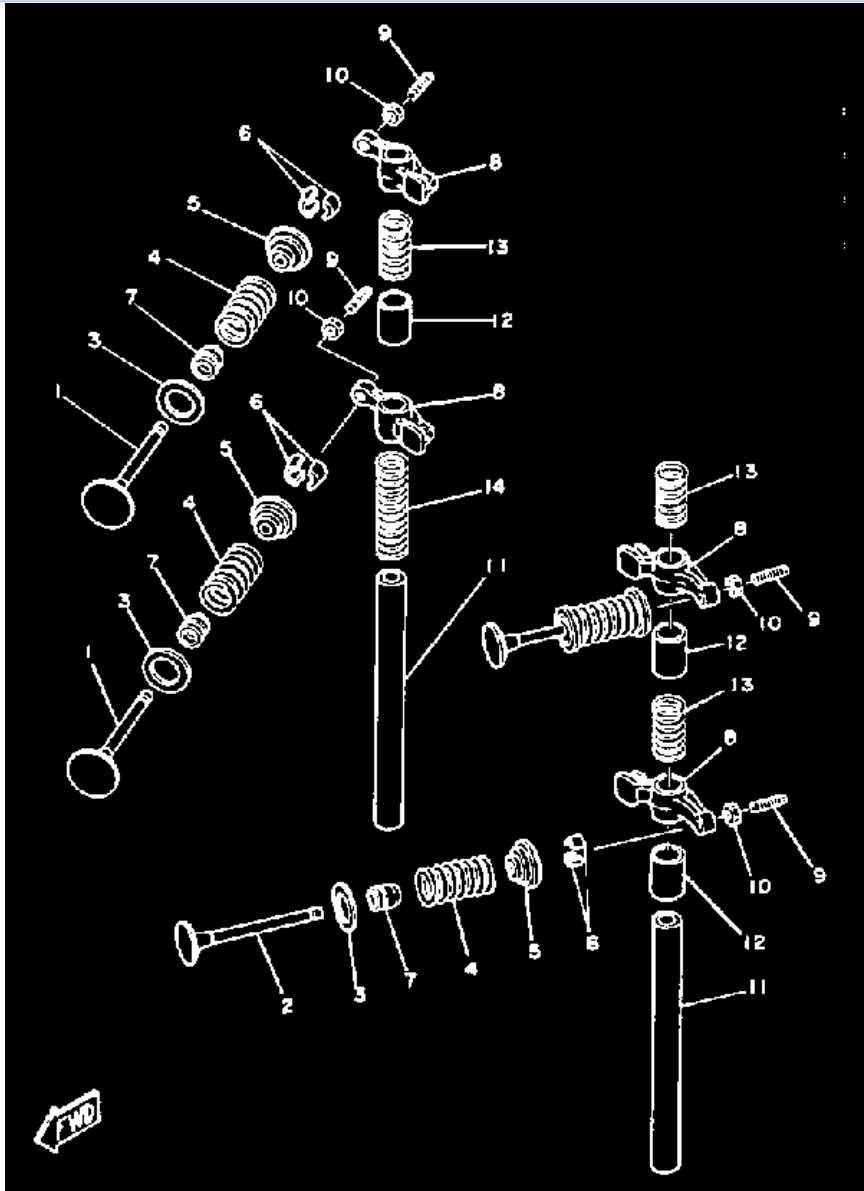
©2014 Yamaha Motor Corporation, U.S.A. All rights reserved.

Part List

FT9.9EXK 1985 / CRANK - PISTON

REF - NO	PART NUMBER	PART NAME	QUANTITY	REMARKS
1	6G8-11411-04-00	CRANKSHAFT	1	
2	93102-30M22-00	.OIL SEAL	1	
3	93101-25M24-00	OIL SEAL	1	
4	6G8-11416-10-00	PLANE BEARING, CRANKSHAFT 1	4	
4	6G8-11416-00-00	PLANE BEARING, CRANKSHAFT 1	4	
4	6G8-11416-20-00	PLANE BEARING, CRANKSHAFT 1	4	
5	6G8-11650-03-00	CONNECTING ROD ASSY	2	
6	6G8-11654-00-00	BOLT, CONNECTING ROD	4	
7	90201-06M00-00	WASHER, PLATE	2	
8	6G8-11426-00-00	PLANE BEARING, CRANKSHAFT 1	2	
9	6G8-11631-01-97	PISTON STD	2	
9	6G8-11636-01-00	PISTON 2 O/S 0.50	2	
10	6G8-11610-20-00	PISTON RING SET (2ND O/S)	2	
10	6G8-11610-00-00	PISTON RING SET (STD)	2	
11	634-11633-00-00	PIN, PISTON	2	
12	93450-15023-00	CIRCLIP	4	

FT9.9EXK 1985 / VALVE



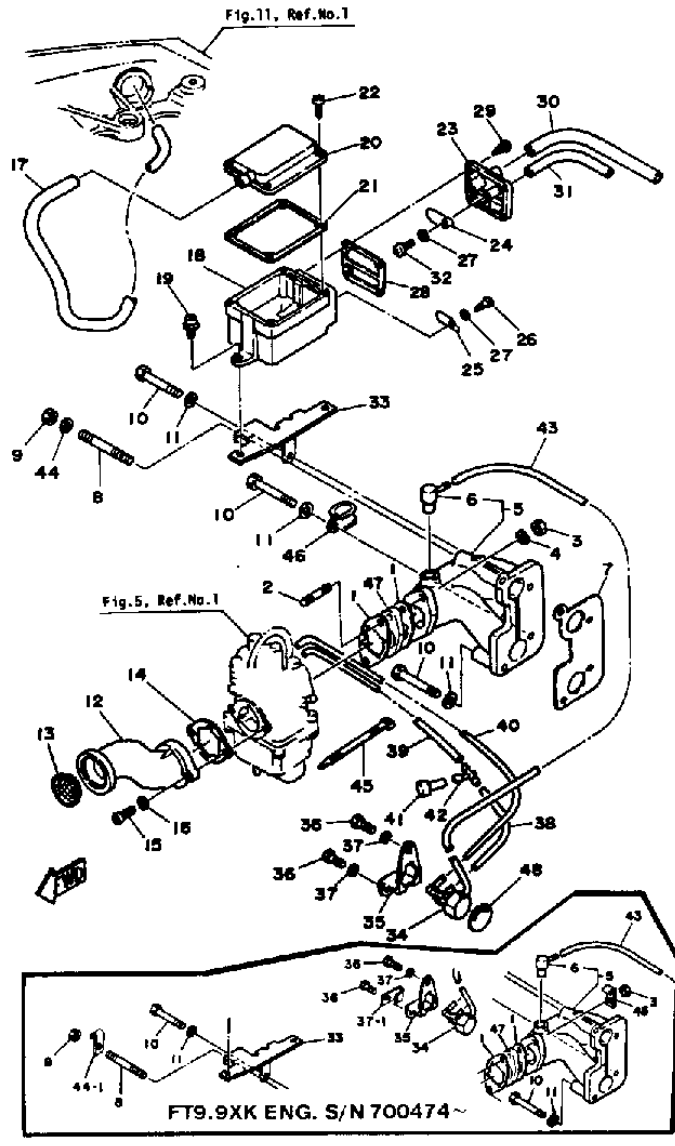
©2014 Yamaha Motor Corporation, U.S.A. All rights reserved.

Part List

FT9.9EXK 1985 / VALVE

REF - NO	PART NUMBER	PART NAME	QUANTITY	REMARKS
1	6G8-12111-00-00	VALVE, INTAKE	2	
2	6G8-12121-00-00	VALVE, EXHAUST	2	
3	6G8-12116-00-00	SEAT, VALVE SPRING	4	
4	6G8-12113-00-00	SPRING, VALVE INNER	4	
5	6G8-12117-00-00	RETAINER, VALVE SPRING	4	
6	30X-12118-00-00	LOCK, VALVE SPRING RETAINER	8	
7	51Y-12119-00-00	SEAL, VALVE STEM	4	
8	6G8-12151-00-00	ARM, VALVE ROCKER	4	
9	6G8-12159-00-00	SCREW, VALVE ADJUSTING	4	
10	6G8-12158-00-00	NUT, LOCK	4	
11	6G8-12146-00-00	SHAFT, ROCKER	2	
12	90387-13M56-00	COLLAR	3	
13	90501-12M40-00	SPRING, COMPRESSION	3	
14	90501-12M41-00	SPRING, COMPRESSION	1	

FT9.9EXK 1985 / INTAKE



©2014 Yamaha Motor Corporation, U.S.A. All rights reserved.






Part List

FT9.9EXK 1985 / INTAKE

REF - NO	PART NUMBER	PART NAME	QUANTITY	REMARKS
1	90465-08028-00	CLAMP	1	SEE NOTE
1	6G8-13646-A0-00	GASKET, MANIFOLD 2	2	
1	90465-06600-00	UNAVAILABLE IN PRICE BOOK	1	SEE NOTE
2	90116-06M26-00	BOLT, STUD	2	
3	95380-06700-00	NUT	2	
4	92990-06600-00	WASHER, PLATE	2	
4	92990-06600-00	WASHER, PLATE	1	SEE PAGE 2NOTE
5	6G8-13641-00-94	MANIFOLD 1	1	
6	6G8-11370-00-00	CHECK VALVE ASSEMBLY	1	
7	6G8-13645-00-00	GASKET, MANIFOLD 1	1	
8	90116-06M15-00	BOLT, STUD	1	
9	95380-06700-00	NUT	1	
10	97313-06045-00	BOLT, HEXAGON	3	
11	92990-06600-00	WASHER, PLATE	3	
12	6G8-14479-01-94	FUNNEL	1	
13	6G8-14478-00-00	LOUVER	1	
14	6G8-14198-00-00	GASKET	1	
15	98580-05016-00	SCREW, PAN HEAD	2	
16	92990-05600-00	WASHER, PLATE	2	
17	6G8-15393-00-00	PIPE, BREATHER 2	1	
18	6G8-15358-00-00	SEPARATOR, OIL	1	
19	90159-06M05-00	SCREW, WITH WASHER	2	
20	6G8-15368-00-94	SEPERATOR, OIL	1	
21	6G8-15369-00-00	GASKET, OIL SEAL HOUSING	1	
22	97780-40112-00	SCREW, TAPPING	4	
23	6G8-15371-00-94	BREATHER	1	
24	6G8-15346-00-00	BREATHER 1	1	
25	6G8-15347-00-00	BREATHER 2	1	
26	97780-40112-00	SCREW, TAPPING	1	
27	92990-04200-00	WASHER	2	
28	6G8-15374-00-00	GASKET, BREATHER	1	
29	97780-40112-00	SCREW, TAPPING	4	
30	90445-11M52-00	HOSE (L150)	1	
31	90445-09065-00	HOSE (L90)	1	
32	98580-04010-00	.SCREW, PAN HEAD	1	
33	6G8-15376-00-00	HOLDER, GUIDE	1	
34	[6G-81439-90-00	UNAVAILABLE IN PRICE BOOK	1	
35	6G8-11395-00-00	HOLDER	1	
36	97013-06012-00	BOLT	2	
37	92990-06600-00	WASHER, PLATE	2	
38	90445-08MF5-00	HOSE	1	
38	90445-08ME1-00	HOSE	1	
39	(90445-08ME0-00)	HOSE	1	
39	90445-08MF4-00	HOSE	1	
40	90445-08ME3-00	HOSE	1	
40	90445-08MF7-00	HOSE	1	
41	6G8-14309-00-00	JET CMPLT.	1	
42	6E0-24378-00-00	PIPE, JOINT 3	1	
43	90445-08ME2-00	HOSE	1	
43	90445-08MF6-00	HOSE	1	
44	92990-06600-00	WASHER, PLATE	1	
45	90465-11M10-00	CLAMP	1	
45	90465-08M23-00	CLAMP	1	SEE NOTE
46	90461-06M01-00	CLAMP	1	
47	6G8-13647-00-00	GASKET, MANIFOLD 3	1	
48	6G8-11326-00-00	SEAT	1	

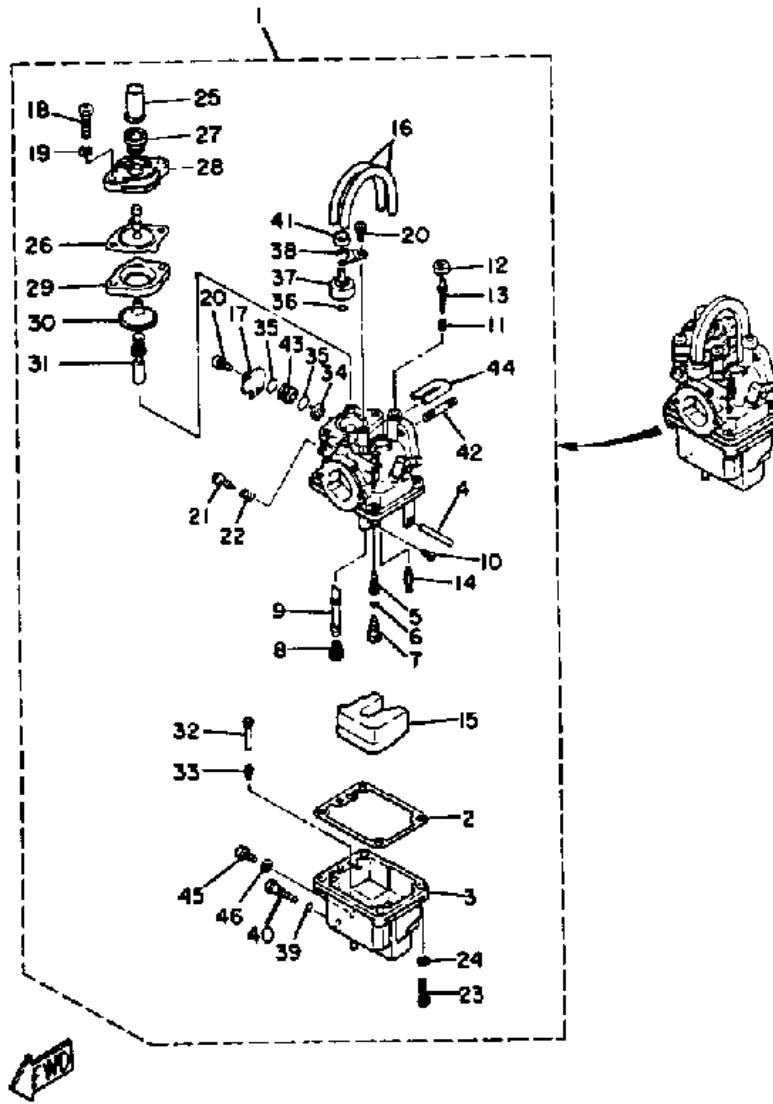
Part Notes

FT9.9EXK 1985 / INTAKE

PART NUMBER		NOTE TEXT
92990-06600-00		OEM: This part number is among the Top 100 Most Popular Marine Maintenance Parts as of March 2014.
92990-06600-00		OEM: This part number is among the Top 100 Most Popular Marine Maintenance Parts as of March 2014.
92990-06600-00		OEM: This part number is among the Top 100 Most Popular Marine Maintenance Parts as of March 2014.
92990-06600-00		OEM: This part number is among the Top 100 Most Popular Marine Maintenance Parts as of March 2014.
92990-06600-00		OEM: This part number is among the Top 100 Most Popular Marine Maintenance Parts as of March 2014.

©2014 Yamaha Motor Corporation, U.S.A. All rights reserved.

FT9.9EXK 1985 / CARBURETOR



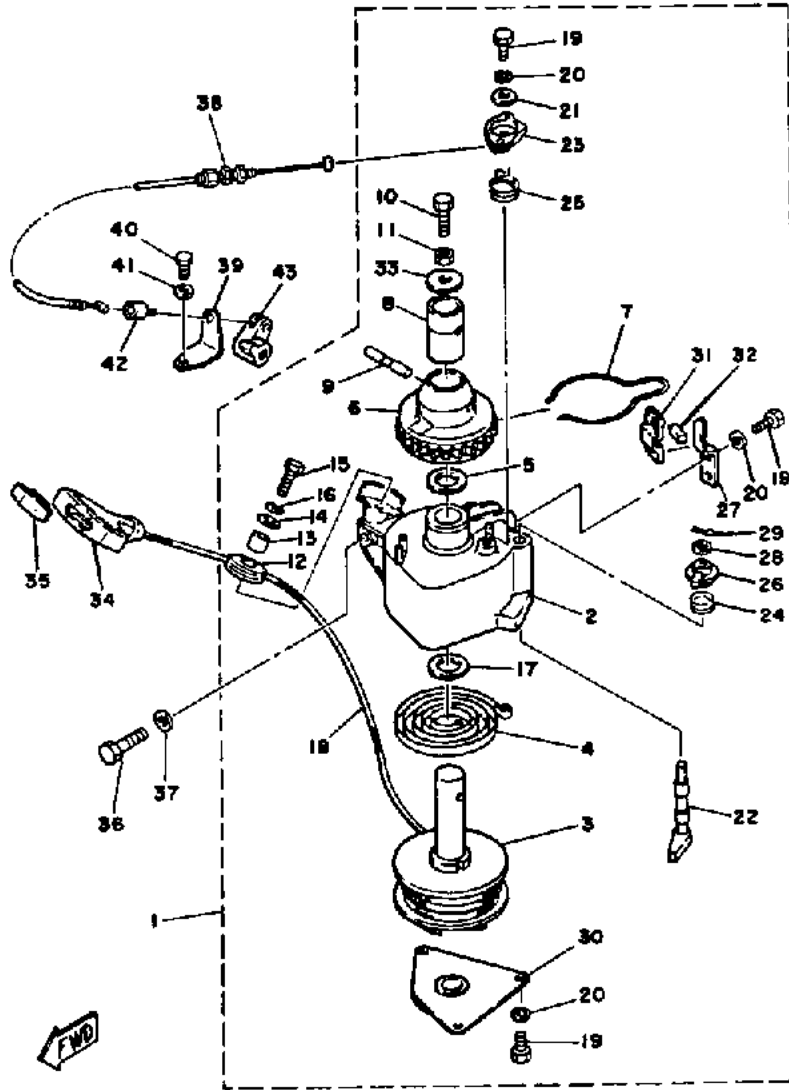
©2014 Yamaha Motor Corporation, U.S.A. All rights reserved.

Part List

FT9.9EXK 1985 / CARBURETOR

REF - NO	PART NUMBER	PART NAME	QUANTITY	REMARKS
1	6G8-14301-01-00	CARBURETOR ASSEMBLY 1	1	
2	6G8-14384-00-00	GASKET, FLOAT CHAMBER	1	
3	6G8-14381-00-00	BODY, FLOAT CHAMBER CHAMBER	1	
4	647-14386-10-00	PIN, FLOAT	1	
5	6G8-14342-21-00	JET, PILOT	1	
6	654-14198-00-00	GASKET	1	
7	6G8-14345-00-00	PLUG, MAIN NOZZLE	1	
8	648-14343-47-00	JET, MAIN (#94)	1	
9	6G8-14341-00-00	NOZZLE, MAIN	1	
10	654-14216-00-00	SCREW	1	
11	647-14334-00-00	SPRING	1	
12	6G8-14997-00-00	SEAL	1	
13	6G8-14323-00-00	SCREW, AIR ADJUSTING	1	
14	6G8-14392-00-00	VALVE, NEEDLE	1	
15	6G8-14385-00-00	FLOAT	1	
16	6G8-14197-00-00	PIPE	2	
17	(6G8-14346-00-00)	PLATE	1	
18	97803-06020-00	SCREW, PAN HEAD	2	
19	92995-06100-00	WASHER, SPRING	2	
20	(97803-04007-00)	SCREW, PAN HEAD	3	
21	98503-04014-00	SCREW, PAN HEAD	1	
22	646-14212-01-00	SPRING, PILOT ADJUSTING	1	
23	98580-04016-00	SCREW, PAN HEAD	4	
24	92901-04100-00	WASHER, SPRING	4	
25	6G8-14355-00-00	CAP	1	
26	6G8-14368-00-00	DIAPHRAGM ASSEMBLY 1	1	
27	6G8-14373-00-00	COVER, PLUNGER CAP	1	
28	6G8-14374-00-00	CAP, PLUNGER	1	
29	14T-14367-00-00	STOPPER	1	
30	33A-14369-00-00	DIAPHRAGM ASSEMBLY	1	
31	6G8-14371-00-00	PLUNGER, STARTER	1	
32	6G8-14318-27-00	PIPE, STARTER	1	
33	6A4-14344-31-00	JET, STARTER	1	
34	6G8-14272-00-00	VALVE, CHECK SEAT	1	
35	1J2-14397-00-00	O-RING	2	
36	5H0-14397-00-00	O-RING	1	
37	6G8-14313-00-00	VALVE AIR	1	
38	6G8-14377-00-00	STOPPER	1	
39	5Y1-14397-00-00	O-RING	1	
40	6G8-14383-00-00	SCREW, DRAIN	1	
41	44J-14349-00-00	PIPE	1	
42	90116-06M26-00	BOLT, STUD	2	
43	6G8-14271-00-00	INSULATOR	1	
44	(14T-14396-00-00)	PIPE	1	
45	650-14222-01-00	SCREW, DRAIN	1	
46	650-14227-01-00	GASKET	1	

FT9.9EXK 1985 / STARTER



©2014 Yamaha Motor Corporation, U.S.A. All rights reserved.


Part List

FT9.9EXK 1985 / STARTER

REF - NO	PART NUMBER	PART NAME	QUANTITY	REMARKS
1	6G8-15710-10-00	STARTER ASSY	1	
2	6G8-15711-00-00	.CASE, STARTER	1	
3	6G8-15714-00-00	.DRUM, SHEAVE	1	
4	6G8-15713-00-00	.SPRING, STARTER	1	
5	6G8-15719-00-00	.WASHER, THRUST	1	
6	6G8-15723-00-00	.PULLEY, STARTER	1	
7	6G8-15715-00-00	.SPRING, FRICTION	1	
8	6G8-15754-00-00	.BUSH 2	1	
9	6G8-15727-00-00	.PIN	1	
10	6G8-15768-00-00	.BOLT	1	
11	95303-08700-00	NUT	1	
12	6F5-15752-00-00	.ROLLER, WIRE	1	
13	6F5-15753-00-00	.BUSH	1	
14	6F5-15791-00-00	.WASHER, LOCK	1	
15	97011-06025-00	BOLT	1	
16	92995-06100-00	WASHER, SPRING	1	
17	6G8-15739-00-00	.WASHER, THRUST	1	
18	90580-50M01-00	ROPE, STARTER	1	
19	97313-05012-00	BOLT, HEXAGON	6	
20	92990-05100-00	.WASHER, SPRING	6	
21	6G8-15742-00-00	.WASHER, DRIVE PAWL	1	
22	6G8-15794-00-00	STOPPER	1	
23	6G8-15746-00-00	.ARM	1	
24	6G8-15767-00-00	.SPRING	1	
25	6G8-15734-00-00	.SPRING, RETURN	1	
26	6G8-15747-00-00	.LINK	1	
27	6G8-15716-00-00	.PLATE, DRIVE	1	
28	92990-06200-00	WASHER, PLAIN	1	
29	91490-12012-00	PIN. COTTER	1	
30	6G8-15712-00-00	.COVER, STARTER CASE	1	
31	6G8-15779-00-00	.COVER	1	
32	6G8-15789-00-00	.DAMPER	1	
33	6G8-15742-00-00	.WASHER, DRIVE PAWL	1	
34	6G1-15755-00-00	.HANDLE, STARTER	1	
35	689-15779-01-00	COVER	1	
36	97313-08030-00	BOLT	3	
37	92990-08600-00	.WASHER, PLATE	3	
38	6G8-15770-00-00	CABLE COMP., STARTER STOP	1	
39	6G8-15771-00-00	STAY 1	1	
40	97013-06012-00	BOLT	1	
41	92990-06600-00	WASHER, PLATE	1	
42	6G8-15772-00-00	STAY 2	1	
43	6G8-44125-00-00	LEVER, SHIFT ROD	1	

Part Notes

FT9.9EXK 1985 / STARTER

PART NUMBER	NOTE TEXT
92990-06600-00	 OEM: This part number is among the Top 100 Most Popular Marine Maintenance Parts as of March 2014.

©2014 Yamaha Motor Corporation, U.S.A. All rights reserved.





Part List

FT9.9EXK 1985 / FUEL SYSTEM

REF - NO	PART NUMBER	PART NAME	QUANTITY	REMARKS
1	6G1-24304-02-00	FUEL PIPE JOINT COMP. 1	1	
2	6G8-24329-00-00	SEAL	1	
3	97395-06020-00	BOLT, HEXAGON	1	
4	92990-06600-00	WASHER, PLATE	1	
5	646-24251-02-00	.STRAINER 1	1	
6	6G8-24311-00-00	PIPE, FUEL 1	1	
7	90445-09065-00	HOSE (L90)	1	
8	90467-08004-00	CLIP	4	
9	6G8-24410-02-00	FUEL PUMP ASSEMBLY	1	
10	6G8-24421-00-00	VALVE, CHECK	1	
11	6G8-24411-01-00	DIAPHRAGM	1	
12	98702-03008-00	SCREW, FLAT HEAD	2	
13	98503-04014-00	SCREW, PAN HEAD	4	
14	92990-04200-00	WASHER	4	
15	98580-06025-00	SCREW, PAN HEAD	2	
16	92995-06100-00	WASHER, SPRING	2	
17	92990-06600-00	WASHER, PLATE	2	
18	93210-20M65-00	.O-RING	1	
19	90445-09M75-00	HOSE (L370)	1	
20	90467-08004-00	CLIP	2	
21	90465-08M26-00	CLAMP	1	
22	97313-06010-00	BOLT, HEXAGON	1	
23	92990-06600-00	WASHER, PLATE	1	

Part Notes

FT9.9EXK 1985 / FUEL SYSTEM

PART NUMBER		NOTE TEXT
92990-06600-00		OEM: This part number is among the Top 100 Most Popular Marine Maintenance Parts as of March 2014.
646-24251-02-00		OEM: This part number is among the Top 100 Most Popular Marine Maintenance Parts as of March 2014.
92990-06600-00		OEM: This part number is among the Top 100 Most Popular Marine Maintenance Parts as of March 2014.
92990-06600-00		OEM: This part number is among the Top 100 Most Popular Marine Maintenance Parts as of March 2014.

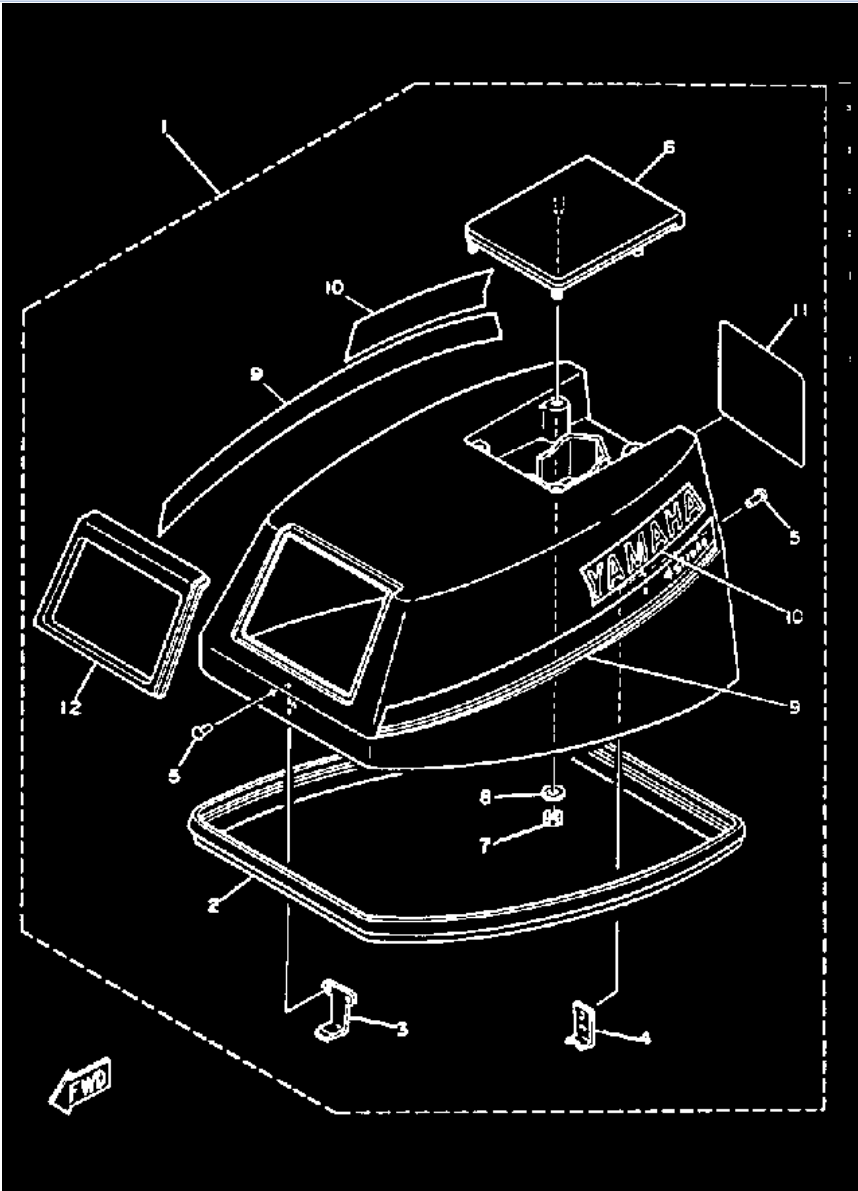
©2014 Yamaha Motor Corporation, U.S.A. All rights reserved.

Part List

FT9.9EXK 1985 / FUEL TANK

REF - NO	PART NUMBER	PART NAME	QUANTITY	REMARKS
1	6Y4-W2420-42-24	FUEL TANK ASSEMBLY	1	
2	6Y4-24244-50-00	GRAPHIC, FUEL TNK 1	1	
3	6Y1-24256-50-00	GRAPHIC, FUEL TANK	1	
4	6Y1-24610-00-00	CAP ASSEMBLY	1	
5	6Y4-24260-01-00	FUEL METER ASSEMBLY	1	
6	6Y1-24329-00-00	.SEAL	4	
7	98586-05016-00	SCREW, PAN HEAD	4	
8	6Y1-24268-00-00	.GASKET, FUEL METER	1	
9	6Y1-24306-51-00	FUEL PIPE COMP. 1	1	
10	90445-11M80-00	HOSE	1	
11	6Y1-24360-51-00	PRIMER PUMP ASSY.	1	
12	(90445-11M78-00)	HOSE	1	
13	650-24351-51-00	.BAND 1	4	
14	6G1-24305-01-00	FUEL PIPE JOINT COMP. 2	1	
15	93210-08287-00	..O-RING	1	
16	6Y1-24305-02-00	FUEL PIPE JOINT COMP. 2	1	
17	93210-08287-00	..O-RING	1	
18	676-W2810-01-00	TOOL KIT	1	

FT9.9EXK 1985 / TOP COWLING



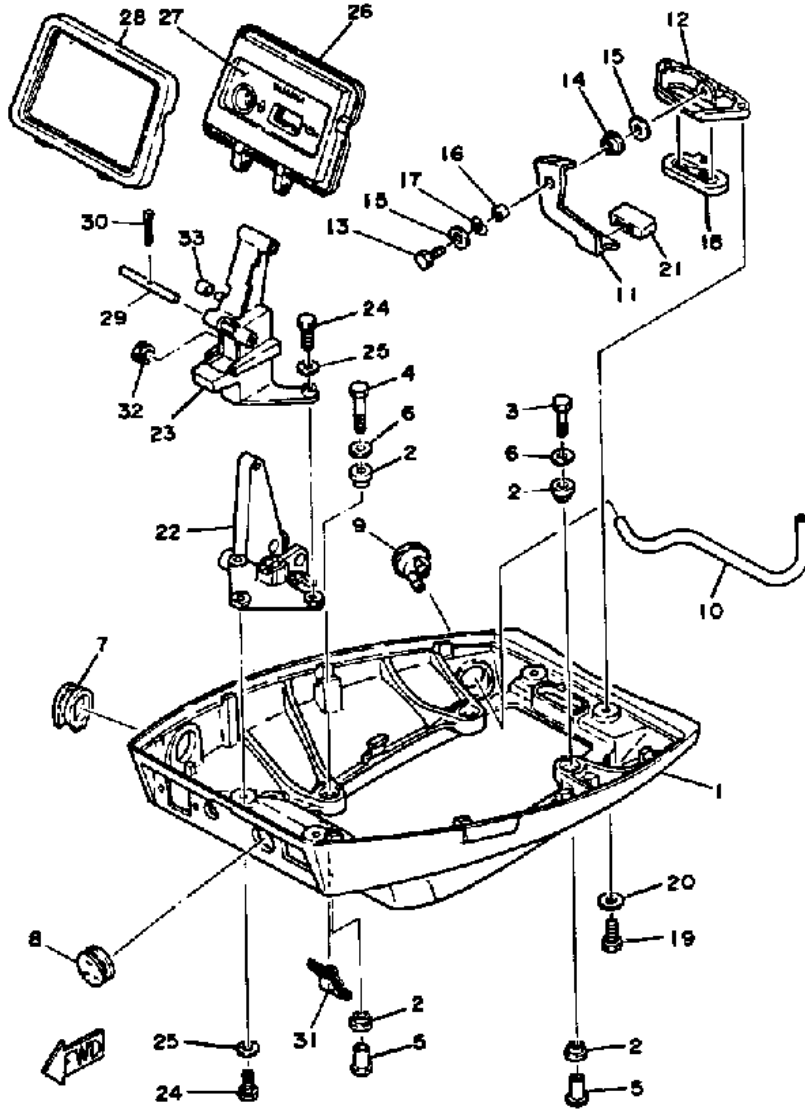
©2014 Yamaha Motor Corporation, U.S.A. All rights reserved.

Part List

FT9.9EXK 1985 / TOP COWLING

REF - NO	PART NUMBER	PART NAME	QUANTITY	REMARKS
1	6G8-42610-12-EK	TOP COWLING ASSEMBLY	1	
1	6G8-42610-01-EL	TOP COWLING ASSEMBLY	1	
2	6G8-42615-00-00	SEAL	1	
3	6G8-42651-00-00	.HOOK	1	
4	6G8-42652-00-00	.HOOK	1	
5	90266-04M04-00	.RIVET	4	
6	6G8-42613-00-EK	MOLDING, AIR DUCT	1	
6	6G8-42613-00-EL	MOULDING, AIR DUCT	1	
7	95680-06100-00	NUT, U	4	
8	92990-06200-00	WASHER, PLAIN	4	
9	6G9-W0070-11-00	GRAPHIC SET	1	
9	6G8-W0070-00-00	GRAPHIC SIDE SET	1	
10	6G9-42681-10-00	MARK, COWLING	2	
10	6G8-42681-00-00	MARK, COWLING 1	2	
11	6G8-42678-00-00	GRAPHIC, REAR	1	
11	6G9-42678-11-00	GRAPHIC, REAR	1	
12	(6G8-42628-00-00)	SEAL	1	

FT9.9EXK 1985 / BOTTOM COWLING



©2014 Yamaha Motor Corporation, U.S.A. All rights reserved.



Part List

FT9.9EXK 1985 / BOTTOM COWLING

REF - NO	PART NUMBER	PART NAME	QUANTITY	REMARKS
1	6G8-42711-01-EK	BOTTOM COWLING	1	
1	6G8-42711-01-EL	BOTTOM COWLING	1	
2	90480-09M35-00	GROMMET	8	
3	97313-06030-00	BOLT	2	
4	97313-06040-00	BOLT, HEXAGON	2	
5	90387-06M58-00	COLLAR	4	
6	90201-06M31-00	.WASHER, PLATE	4	
7	6G8-42724-00-00	GROMMET	1	
8	[6G-84272-50-00	UNAVAILABLE IN PRICE BOOK	1	
9	6G8-44391-00-00	NIPPLE, HOSE	1	
10	90445-09096-00	HOSE	1	
11	6G8-42815-00-00	LEVER, CLAMP	1	
12	6G8-42811-00-94	STAY	1	
13	97313-06016-00	BOLT, HEXAGON	1	
14	90386-08M49-00	BUSH	1	
15	90201-06M31-00	.WASHER, PLATE	2	
16	90387-06M72-00	COLLAR	1	
17	90206-08M13-00	WASHER, WAVE	1	
18	6G8-42748-00-00	GROMMET	1	
19	97395-06016-00	BOLT, HEX	2	
20	92990-06600-00	WASHER, PLATE	2	
21	6G8-42831-00-00	BUSHING	1	
22	6G8-42738-00-94	PLATE, FITTING	1	
23	6G8-42719-00-94	PANEL, FRONT LOWER	1	
23	6G8-42719-00-94	PANEL, FRONT LOWER	1	
24	97395-06016-00	BOLT, HEX	3	
25	92990-06600-00	WASHER, PLATE	3	
26	6G8-W4261-00-00	PANEL, FRONT UPPER	1	
27	6G8-42677-00-00	GRAPHIC, FRONT	1	
28	6G8-42629-00-00	SEAL	1	
29	6G8-42755-00-00	HINGE, COWLING	1	
30	91490-16010-00	PIN. COTTER	1	
31	6G8-42727-00-00	GROMMET	1	
32	90480-19031-00	GROMMET	1	
33	90445-05ME6-00	HOSE (L8)	1	

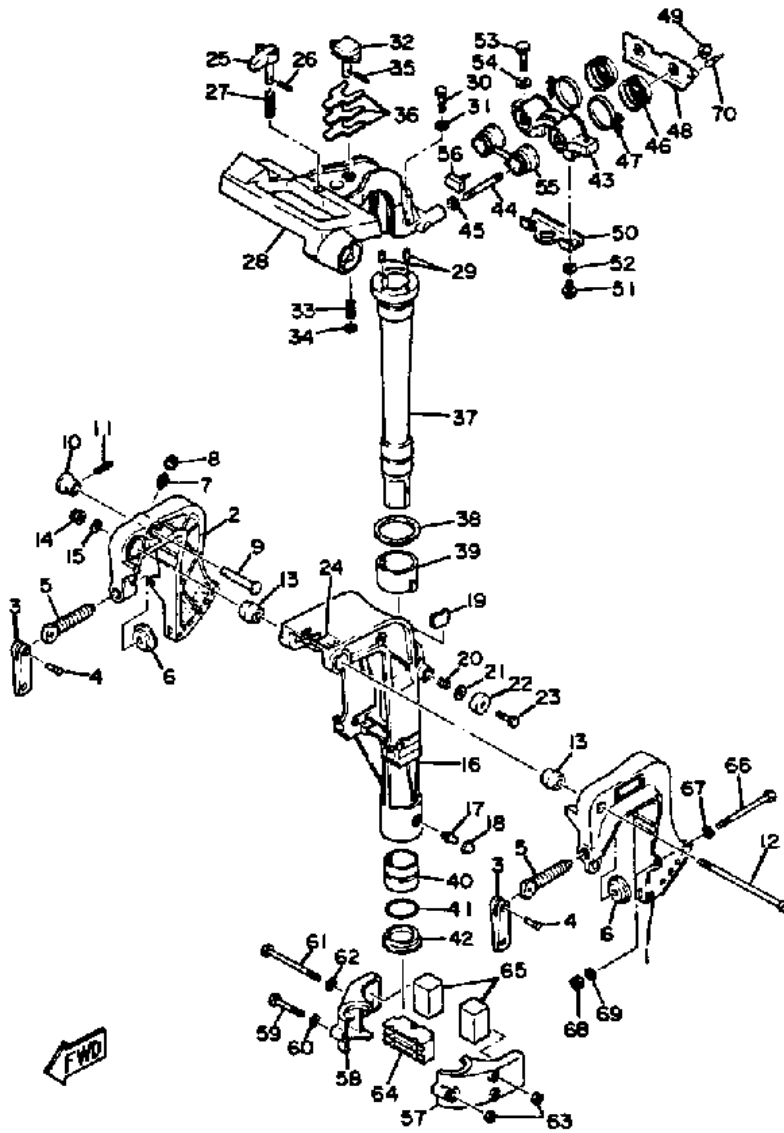
Part Notes

FT9.9EXK 1985 / BOTTOM COWLING

PART NUMBER		NOTE TEXT
92990-06600-00		OEM: This part number is among the Top 100 Most Popular Marine Maintenance Parts as of March 2014.
92990-06600-00		OEM: This part number is among the Top 100 Most Popular Marine Maintenance Parts as of March 2014.

©2014 Yamaha Motor Corporation, U.S.A. All rights reserved.

FT9.9EXK 1985 / BRACKET 1 (FIG 11)



©2014 Yamaha Motor Corporation, U.S.A. All rights reserved.

Part List





FT9.9EXK 1985 / BRACKET 1 (FIG 11)

REF - NO	PART NUMBER	PART NAME	QUANTITY	REMARKS
1	6G8-43111-02-EK	BRACKET, CLAMP	1	
1	6G8-43111-02-EL	BRACKET, CLAMP	1	
2	6G8-43112-09-EL	BRACKET, CLAMP 2	1	
2	6G8-43112-09-EK	BRACKET, CLAMP 2	1	
3	616-43118-00-EK	HANDLE, TRANSOM CLIP	2	
3	616-43118-00-EL	HANDLE, TRANSOM CLIP	2	
4	90243-04M00-00	PIN	2	
5	90149-14030-00	SCREW, SPECL SHAPE	2	
6	648-43114-01-00	PAD, TRANSOM CLAMP	2	
7	93700-06M03-00	NIPPLE, GREASE	1	
8	663-45119-00-00	CAP, GREASE NIPPLE	1	
9	689-43191-00-00	SHAFT, STOPPER	1	
10	689-43192-01-00	KNOB, STOPPER	1	
11	91690-30016-00	PIN, SPRING	1	
12	90101-08M83-00	BOLT	1	
13	6G8-43136-00-00	PIECE, FRICTION	2	
14	95780-08300-00	..NUT, FLANGE	1	
15	92990-08100-00	WASHER, SPRING	1	
16	6G8-43311-13-EK	BRACKET, SWIVEL 1	1	
16	6G8-43311-13-EL	BRACKET, SWIVEL 1	1	
17	93700-06M03-00	NIPPLE, GREASE	1	
18	663-45119-00-00	CAP, GREASE NIPPLE	1	
19	6G8-42528-00-00	PLATE, FRICTION	1	
20	90501-18M00-00	SPRING, COMPRESSION	1	
21	90201-06M31-00	.WASHER, PLATE	1	
22	6G8-43373-00-00	SEAL, DAMPER	1	
23	97395-06025-00	BOLT	1	
24	6G8-43691-00-00	INDICATOR, TILT	1	
25	6G8-42561-00-00	KNOB, STEERING LOCK	1	
26	91690-30012-00	.PIN, SPRING	1	
27	90501-10071-00	..SPRING, COMPRESSION	1	
28	99999-01598-00	BRACKET, STEERING	1	
28	99999-01597-00	BRACKET, STEERING	1	
29	93605-15065-00	PIN, DOWEL	2	
30	97395-06025-00	BOLT	2	
31	92990-06600-00	WASHER, PLATE	2	
32	(6G8-42535-00-00)	WASHER, THRUST 1	1	
33	(90501-12270-00)	SPRING, COMPRESSION	1	
34	92990-08600-00	..WASHER, PLATE	1	
35	91690-30016-00	PIN, SPRING	1	
36	6G8-42545-00-00	WASHER, PLAIN	1	
37	6G8-42521-10-94	SHAFT, STEERING PIVOT	1	
38	90209-45M09-00	WASHER	1	
39	6G8-42537-00-00	BUSHING, PIVOT SHAFT	1	
40	90386-37M47-00	BUSH	1	
41	93210-37M67-00	O-RING	1	
42	90386-37M48-00	BUSH	1	
43	6G8-44517-00-94	MOUNT RUBBER	1	
44	(90116-08M20-00)	BOLT, STUD	2	
45	90201-08M12-00	.WASHER, PLATE	2	
46	6G8-44522-00-00	SEAL	2	
47	90460-38M06-00	CLAMP, HOSE	2	
48	6G8-44518-00-00	BRACKET COMP.	1	
49	95780-08300-00	..NUT, FLANGE	2	
50	6G8-44526-00-00	PLATE	1	
51	97395-06012-00	BOLT	2	
52	92990-06600-00	WASHER, PLATE	2	
53	97395-08030-00	BOLT	2	
54	92990-08600-00	..WASHER, PLATE	2	
55	6G8-44521-00-00	SEAL	1	

56	6G8-44532-00-00	STOPPER, UPPER MOUNT	1	
57	6G8-44551-01-EK	HOUSING, LOWER MOUNT RUBBER	1	
57	6G8-44551-01-EL	HOUSING, LOWER, MOUNT RUBBER	1	
58	6G8-44552-01-EK	HOUSING, LOWER MOUNT	1	
58	6G8-44552-02-EL	HOUSING, LOWER MOUNT RUBBER	1	
59	97395-06045-00	BOLT, HEXAGON	1	
60	92990-06600-00	WASHER, PLATE	1	
61	97395-06095-00	BOLT	2	
62	92990-06600-00	WASHER, PLATE	2	
63	95380-06700-00	NUT	3	
64	6G8-44557-00-00	MOUNT DAMPER, LOWER FRONT	1	
65	682-44555-00-00	MOUNT DAMPER, LOWER SIDE	2	
66	90101-08M88-00	BOLT	2	
67	92990-08600-00	..WASHER, PLATE	2	
68	95780-08300-00	..NUT, FLANGE	2	
69	90201-08MA4-00	WASHER, PLATE	2	
70	6G8-44533-00-00	DAMPER, UPPER MOUNT RUBBER	2	

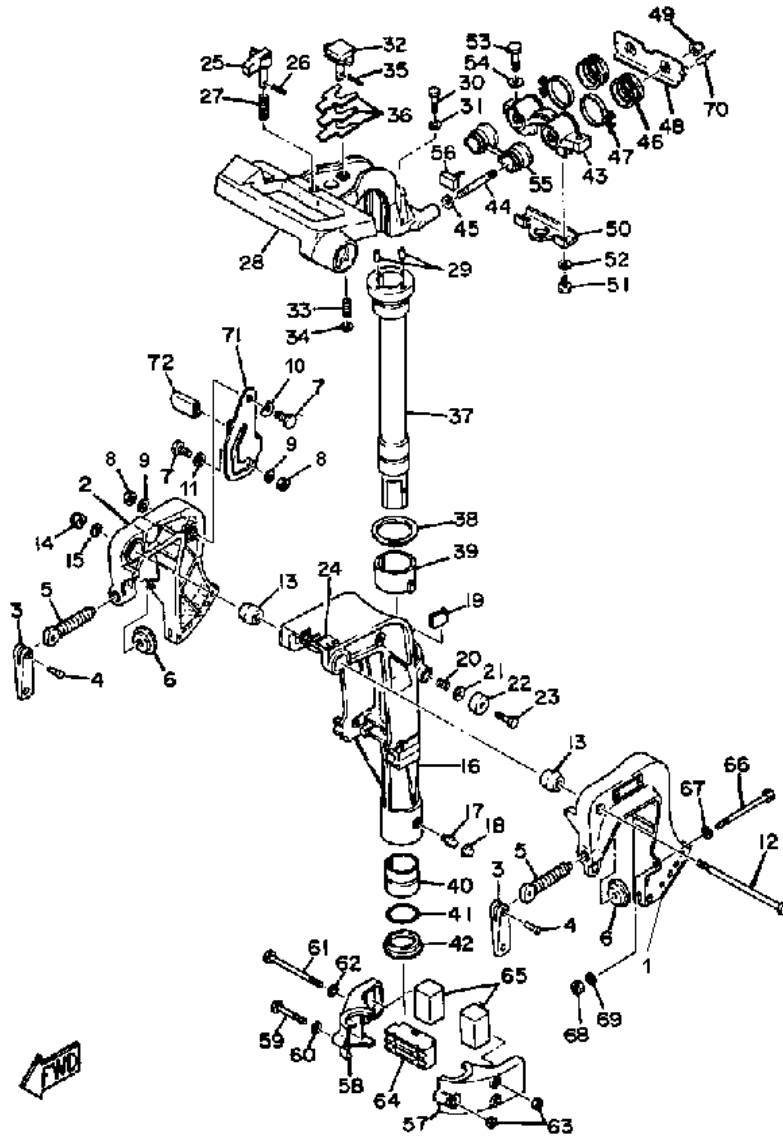
Part Notes

FT9.9EXK 1985 / BRACKET 1 (FIG 11)

PART NUMBER		NOTE TEXT
92990-06600-00		OEM: This part number is among the Top 100 Most Popular Marine Maintenance Parts as of March 2014.
92990-06600-00		OEM: This part number is among the Top 100 Most Popular Marine Maintenance Parts as of March 2014.
92990-06600-00		OEM: This part number is among the Top 100 Most Popular Marine Maintenance Parts as of March 2014.
92990-06600-00		OEM: This part number is among the Top 100 Most Popular Marine Maintenance Parts as of March 2014.

©2014 Yamaha Motor Corporation, U.S.A. All rights reserved.

FT9.9EXK 1985 / BRACKET 1 (FIG 12)



©2014 Yamaha Motor Corporation, U.S.A. All rights reserved.

Part List






FT9.9EXK 1985 / BRACKET 1 (FIG 12)

REF - NO	PART NUMBER	PART NAME	QUANTITY	REMARKS
1	6G8-43111-02-EK	BRACKET, CLAMP	1	UR FOR MMS
1	6G8-43111-02-EL	BRACKET, CLAMP	1	UR FOR HW
2	6G8-43112-09-EL	BRACKET, CLAMP 2	1	UR FOR HW
2	6G8-43112-09-EK	BRACKET, CLAMP 2	1	UR FOR MMS
3	616-43118-00-EK	HANDLE, TRANSOM CLIP	2	UR FOR MMS
3	616-43118-00-EL	HANDLE, TRANSOM CLIP	2	UR FOR HW
4	90243-04M00-00	PIN	2	
5	90149-14030-00	SCREW, SPECL SHAPE	2	
6	648-43114-01-00	PAD, TRANSOM CLAMP	2	
7	90109-06M25-00	BOLT	2	
8	95680-06100-00	NUT, U	2	
9	92990-06600-00	WASHER, PLATE	2	
10	90206-10M15-00	WASHER, WAVE	1	
11	682-43339-01-00	WASHER	1	
12	90101-08M83-00	BOLT	1	
13	6G8-43136-00-00	PIECE, FRICTION	2	
14	95780-08300-00	..NUT, FLANGE	1	
15	92990-08100-00	WASHER, SPRING	1	
16	6G8-43311-13-EK	BRACKET, SWIVEL 1	1	UR FOR MMS
16	6G8-43311-13-EL	BRACKET, SWIVEL 1	1	UR FOR HW
17	93700-06M03-00	NIPPLE, GREASE	1	
18	663-45119-00-00	CAP, GREASE NIPPLE	1	
19	6G8-42528-00-00	PLATE, FRICTION	1	
20	90501-18M00-00	SPRING, COMPRESSION	1	
21	90201-06M31-00	.WASHER, PLATE	1	
22	6G8-43373-00-00	SEAL, DAMPER	1	
23	97395-06025-00	BOLT	1	
24	6G8-43691-00-00	INDICATOR, TILT	1	
25	6G8-42561-00-00	KNOB, STEERING LOCK	1	
26	91690-30012-00	.PIN, SPRING	1	
27	90501-10071-00	..SPRING, COMPRESSION	1	
28	99999-01598-00	BRACKET, STEERING	1	
29	93605-15065-00	PIN, DOWEL	2	
30	97395-06025-00	BOLT	2	
31	92990-06600-00	WASHER, PLATE	2	
32	6G8-42535-00-00	WASHER, THRUST 1	1	
33	90501-12270-00	SPRING, COMPRESSION	1	
34	92990-08600-00	..WASHER, PLATE	1	
35	91690-30016-00	PIN, SPRING	1	
36	6G8-42545-00-00	WASHER, PLAIN	1	U.N.
37	6G8-42521-10-94	SHAFT, STEERING PIVOT	1	
38	90209-45M09-00	WASHER	1	
39	6G8-42537-00-00	BUSHING, PIVOT SHAFT	1	
40	90386-37M47-00	BUSH	1	
41	93210-37M67-00	O-RING	1	
42	90386-37M48-00	BUSH	1	
43	6G8-44517-00-94	MOUNT RUBBER	1	
44	90116-08M20-00	BOLT, STUD	2	
45	90201-08M12-00	.WASHER, PLATE	2	
46	6G8-44522-00-00	SEAL	2	
47	90460-38M06-00	CLAMP, HOSE	2	
48	6G8-44518-00-00	BRACKET COMP.	1	
49	95780-08300-00	..NUT, FLANGE	2	
50	6G8-44526-00-00	PLATE	1	
51	97395-06012-00	BOLT	2	
52	92990-06600-00	WASHER, PLATE	2	
53	97395-08030-00	BOLT	2	
54	92990-08600-00	..WASHER, PLATE	2	
55	6G8-44521-00-00	SEAL	1	
56	6G8-44532-00-00	STOPPER, UPPER MOUNT	1	

57	6G8-44551-01-EL	HOUSING, LOWER, MOUNT RUBBER	1	
58	6G8-44552-02-EL	HOUSING, LOWER MOUNT RUBBER	1	
59	97395-06045-00	BOLT, HEXAGON	1	
60	92990-06600-00	WASHER, PLATE	1	
61	97395-06095-00	BOLT	2	
62	92990-06600-00	WASHER, PLATE	2	
63	95380-06700-00	NUT	3	
64	6G8-44557-00-00	MOUNT DAMPER, LOWER FRONT	1	
65	6G8-44555-00-00	MOUNT DAMPER, LOWER SIDE	2	
66	90101-08M88-00	BOLT	2	
67	92990-08600-00	..WASHER, PLATE	2	
68	95780-08300-00	..NUT, FLANGE	2	
69	90201-08MA4-00	WASHER, PLATE	2	
70	6G8-44533-00-00	DAMPER, UPPER MOUNT RUBBER	2	
71	6G8-43181-00-00	LEVER, TILT STOP	1	
72	682-43318-01-00	COVER	1	

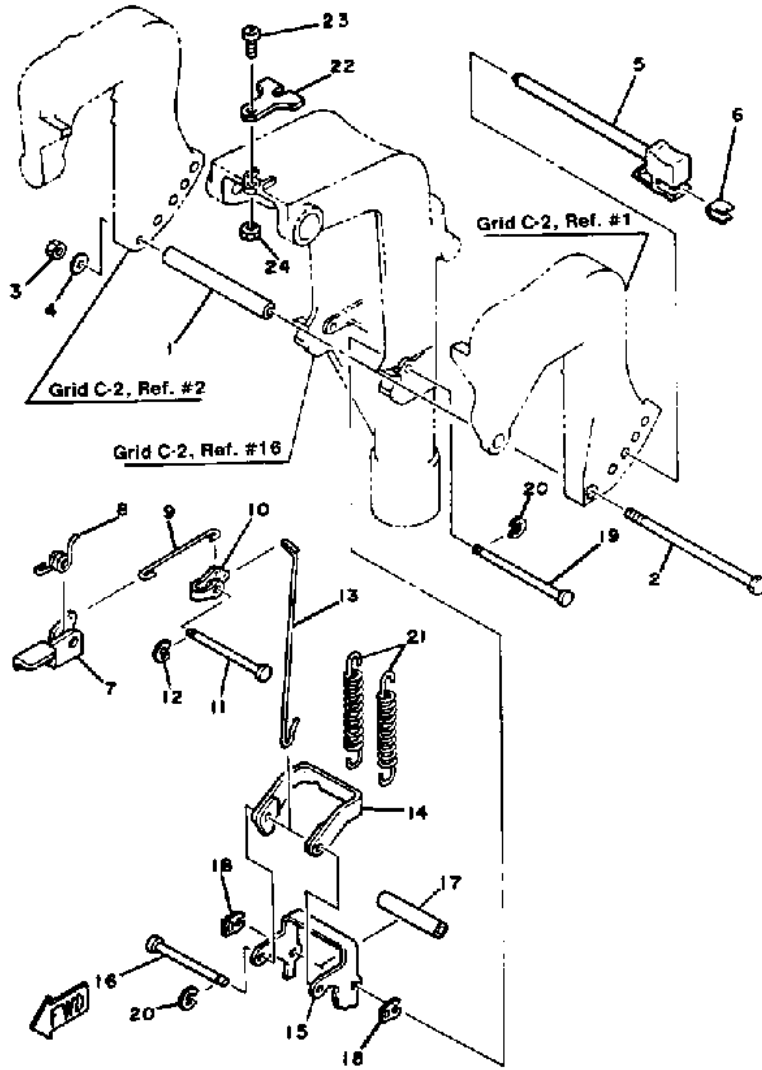
Part Notes

FT9.9EXK 1985 / BRACKET 1 (FIG 12)

PART NUMBER		NOTE TEXT
92990-06600-00		OEM: This part number is among the Top 100 Most Popular Marine Maintenance Parts as of March 2014.
92990-06600-00		OEM: This part number is among the Top 100 Most Popular Marine Maintenance Parts as of March 2014.
92990-06600-00		OEM: This part number is among the Top 100 Most Popular Marine Maintenance Parts as of March 2014.
92990-06600-00		OEM: This part number is among the Top 100 Most Popular Marine Maintenance Parts as of March 2014.
92990-06600-00		OEM: This part number is among the Top 100 Most Popular Marine Maintenance Parts as of March 2014.

©2014 Yamaha Motor Corporation, U.S.A. All rights reserved.

FT9.9EXK 1985 / BRACKET 2



©2014 Yamaha Motor Corporation, U.S.A. All rights reserved.


Part List

FT9.9EXK 1985 / BRACKET 2

REF - NO	PART NUMBER	PART NAME	QUANTITY	REMARKS
1	90387-06M09-00	COLLAR	1	
2	97395-06135-00	BOLT, HEXAGON	1	
3	95380-06700-00	NUT	1	
4	92990-06600-00	WASHER, PLATE	1	
5	6G8-43160-01-00	TILT ROD ASSY	1	
6	6G8-43162-00-00	SPRING, TILT LOC LV	1	
7	6G8-43631-00-00	LEVER, TILT 1	1	
8	90508-12M18-00	SPRING, TORSION	1	
9	682-43616-00-00	ROD, TILT LOCK	1	
10	682-43641-00-00	LEVER, TILT	1	
11	90249-06M20-00	PIN	1	
12	93430-05027-00	CIRCLIP	1	
13	6G8-43617-00-00	ROD, TILT LOCK	1	
14	682-43614-00-00	PLATE, TILT LOCK	1	
15	682-43615-01-00	PLATE, TILT LOCK	1	
16	682-43611-01-00	SHAFT, TILT LOCK	1	
17	90387-06M20-00	COLLAR	1	
18	682-43673-00-00	WASHER 1	2	
19	682-43659-00-00	SHAFT, REVERSE LOCK	1	
20	93430-05027-00	CIRCLIP	2	
21	90506-29M16-00	SPRING, TENSION	2	
22	6G8-43319-00-00	PLATE	1	
23	98580-06020-00	SCREW, PAN HEAD	1	
24	95780-06300-00	NUT, FLANGE	1	

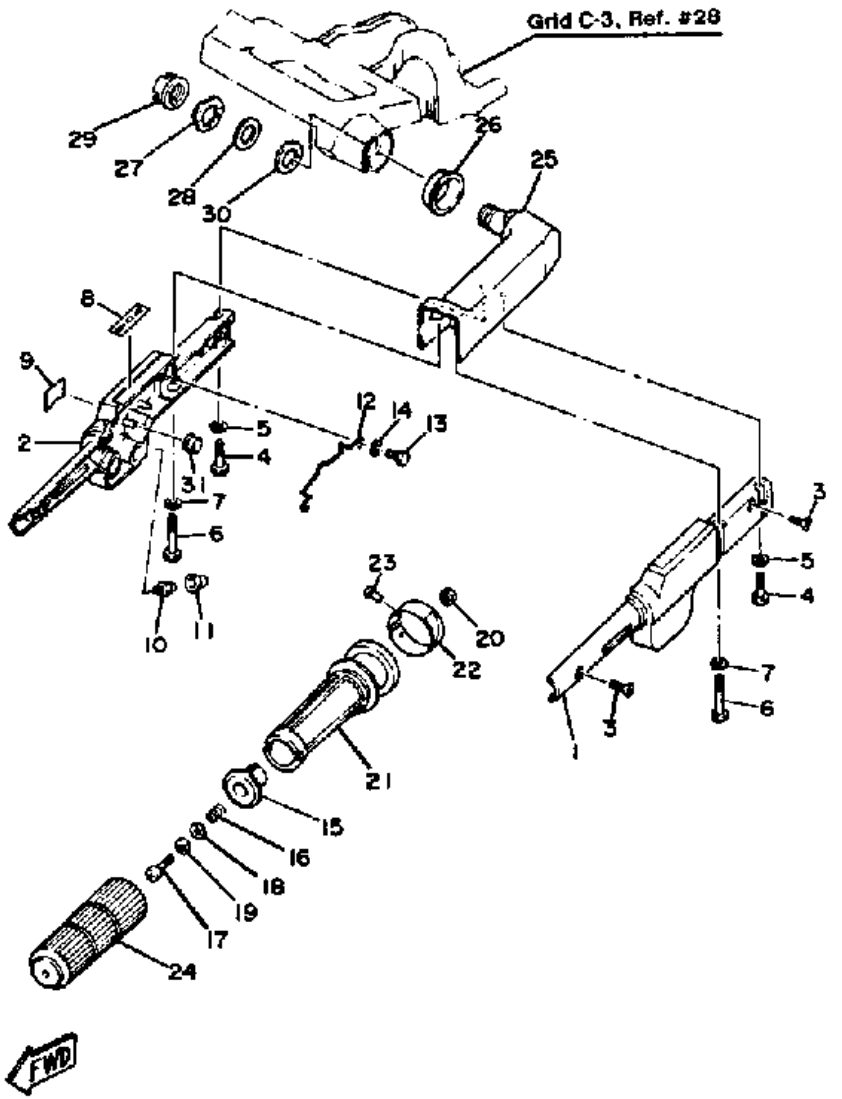
Part Notes

FT9.9EXK 1985 / BRACKET 2

PART NUMBER	NOTE TEXT
92990-06600-00 	OEM: This part number is among the Top 100 Most Popular Marine Maintenance Parts as of March 2014.

©2014 Yamaha Motor Corporation, U.S.A. All rights reserved.

FT9.9EXK 1985 / STEERING



©2014 Yamaha Motor Corporation, U.S.A. All rights reserved.



Part List

FT9.9EXK 1985 / STEERING

REF - NO	PART NUMBER	PART NAME	QUANTITY	REMARKS
1	6G8-42111-01-EK	HANDLE, STEERING	1	
1	6G8-42111-01-EL	HANDLE, STEERING	1	
2	6G8-42112-02-EL	STEERING HANDLE 2	1	
2	6G8-42112-02-EK	STEERING HANDLE 2	1	
3	98780-05016-00	.SCREW, FLAT HEAD	2	
4	97395-06025-00	BOLT	2	
5	92990-06600-00	WASHER, PLATE	2	
6	97395-06040-00	BOLT	2	
7	92990-06600-00	WASHER, PLATE	2	
8	6G8-44191-00-00	INDICATOR, SHIFT	1	
9	6G8-82561-00-00	GRAPHIC, ENG	1	
10	93700-06M03-00	NIPPLE, GREASE	1	
11	663-45119-00-00	CAP, GREASE NIPPLE	1	
12	6G8-42147-00-00	SPRING	1	
13	97395-05012-00	.BOLT	2	
14	92990-05600-00	WASHER, PLATE	2	
15	6G8-42126-01-94	FRICTION, STEERING HANDLE GRIP	1	
16	90501-23M42-00	SPRING, COMPRESSION	1	
17	98580-06030-00	.SCREW, PAN HEAD	1	
18	90201-06049-00	WASHER, PLATE	1	
19	90202-06007-00	WASHER, PLATE	1	
20	95380-06700-00	NUT	1	
21	6G8-42119-00-00	GRIP, STEERING HANDLE	1	
22	6G8-42137-01-00	INDICATOR, THROTTLE	1	
23	90269-02M09-00	RIVET	1	
24	6G8-42177-00-00	RUBBER, HANDLE	1	
25	6G8-42113-01-EK	HANDLE, STEERING 3	1	
25	6G8-42113-01-EL	HANDLE, STEERING 3	1	
26	90386-33M56-00	BUSH	1	
27	90206-20M14-00	WASHER, WAVE	1	
28	90201-201L9-00	WASHER, PLAIN	1	
29	90179-20M09-00	NUT, SPEC'L SHAPE	1	
30	90202-20M33-00	WASHER, PLATE	1	
31	6H4-42725-00-00	GROMMET	1	

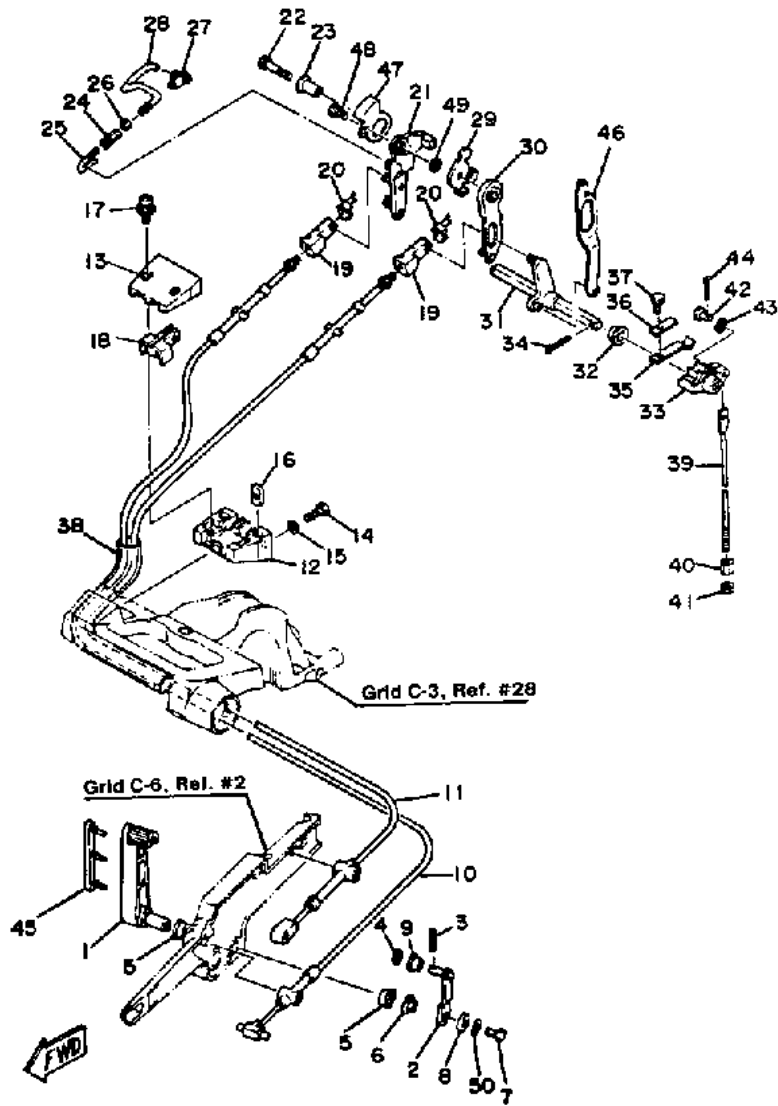
Part Notes

FT9.9EXK 1985 / STEERING

PART NUMBER	NOTE TEXT
92990-06600-00 	OEM: This part number is among the Top 100 Most Popular Marine Maintenance Parts as of March 2014.
92990-06600-00 	OEM: This part number is among the Top 100 Most Popular Marine Maintenance Parts as of March 2014.

©2014 Yamaha Motor Corporation, U.S.A. All rights reserved.

FT9.9EXK 1985 / CONTROL



©2014 Yamaha Motor Corporation, U.S.A. All rights reserved.



Part List

FT9.9EXK 1985 / CONTROL

REF - NO	PART NUMBER	PART NAME	QUANTITY	REMARKS
1	6G8-44121-00-98	LEVER, SHIFT ROD	1	
2	6G8-44123-00-00	ARM, SHIFT ROD	1	
3	91490-16010-00	PIN. COTTER	1	
4	92990-05200-00	.WASHER, PLAIN	1	
5	90386-12069-00	BUSH	2	
6	90206-12052-00	WASHER, WAVE	1	
7	97313-06016-00	BOLT, HEXAGON	1	
8	90201-06M94-00	WASHER, PLATE	1	
9	90386-05M54-00	BUSH	1	
10	6G8-48311-09-00	CABLE	1	
11	6G8-48321-09-00	CABLE	1	
12	6G8-41661-00-98	BRACKET	1	
13	6G8-41662-00-98	BRACKET	1	
14	97395-06016-00	BOLT, HEX	2	
15	92990-06600-00	WASHER, PLATE	2	
16	6G8-41654-00-00	NUT	2	
17	90159-05M06-00	SCREW, WITH WASHER	2	
18	6G8-41663-00-00	BRACKET 3	1	
19	6G8-26363-00-00	.END, WIRE 1	2	
20	6G8-26364-00-00	.END, CABLE	2	
21	6G8-41212-00-00	ARM, ACCEL.	1	
22	97313-06030-00	BOLT	1	
23	90387-06M58-00	COLLAR	1	
24	6G8-41238-00-00	JOINT, LINK 1	1	
25	6G8-41241-00-00	ROD 1	1	
26	95303-04600-00	.NUT	1	
27	6G8-41237-01-00	JOINT, LINK	1	
28	6G8-41242-00-00	ROD 2	1	
29	6G8-14493-00-00	STAY 1	1	
30	6G8-44111-00-00	HANDLE, GEAR SHIFT	1	
31	6G8-44159-00-00	HANDLE, GEAR SHIFT	1	
32	682-44132-00-00	BUSHING	1	
33	6G8-44141-00-00	LINK, SHIFT ROD	1	
34	91490-25020-00	PIN. COTTER	1	
35	682-44116-00-00	SPRING	1	
36	682-44117-00-00	BRACKET	1	
37	97013-06012-00	BOLT	1	
38	90445-20ME4-00	HOSE	1	
39	6G8-44143-10-00	ROD, SHIFT	1	
40	90170-06015-00	NUT	1	
41	95380-06700-00	NUT	1	
42	91790-05020-00	PIN, CLEVIS	1	
43	92990-05600-00	WASHER, PLATE	1	
44	91490-16010-00	PIN. COTTER	1	
45	6G8-42129-00-00	BUSHING, RUBBER	1	
46	6G8-44124-10-00	LINK, SHIFT ROD	1	
47	6G8-41212-10-00	ARM, ACCEL.	1	
48	97013-06012-00	BOLT	1	
49	95380-06600-00	NUT, HEXAGON	1	
50	92990-06600-00	WASHER, PLATE	1	

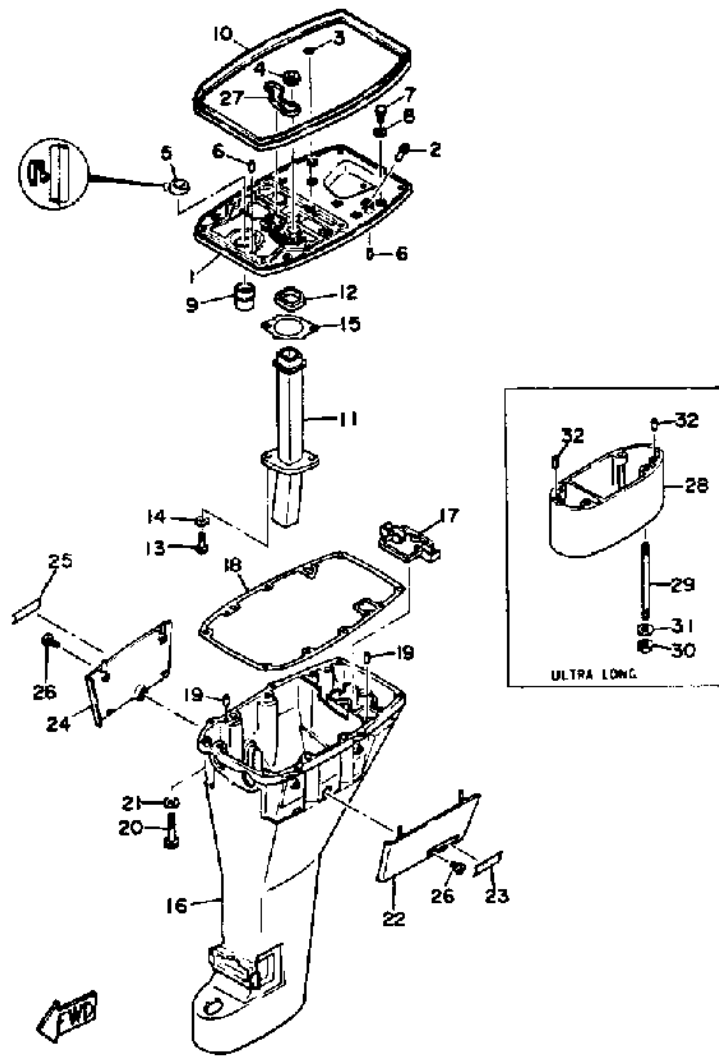
Part Notes

FT9.9EXK 1985 / CONTROL

PART NUMBER	NOTE TEXT
92990-06600-00 	OEM: This part number is among the Top 100 Most Popular Marine Maintenance Parts as of March 2014.
92990-06600-00 	OEM: This part number is among the Top 100 Most Popular Marine Maintenance Parts as of March 2014.

©2014 Yamaha Motor Corporation, U.S.A. All rights reserved.

FT9.9EXK 1985 / UPPER CASING



©2014 Yamaha Motor Corporation, U.S.A. All rights reserved.



Part List

FT9.9EXK 1985 / UPPER CASING

REF - NO	PART NUMBER	PART NAME	QUANTITY	REMARKS
1	99999-02115-00	EXHAUST GUIDE	1	
2	6E5-24377-00-00	PIPE, JOINT 2	1	
3	93210-08M60-00	O-RING	1	
4	6G8-44367-00-00	DAMPER, WATER SEAL	1	
5	93101-13M27-00	O-RING	1	
6	93606-12019-00	.PIN, DOWEL	2	
7	97313-06020-00	BOLT, HEXAGON	2	
8	92990-06600-00	WASHER, PLATE	2	
9	6G8-45135-00-00	PIPE	1	
10	6G8-42716-00-00	RUBBER, SEAL 1	1	
11	6G8-41131-01-00	MANIFOLD, EXT. 1	1	
12	6G8-41138-00-00	SEAL, EXT. 1	1	
13	97395-06016-00	BOLT, HEX	2	
14	92990-06600-00	WASHER, PLATE	2	
15	6G8-41133-A0-00	GASKET, EXHAUST MANIFOLD 1	1	
16	6G8-45111-12-EL	CASING, UPPER (WH)	1	
16	6G8-45111-12-EK	CASING, UPPER	1	
17	6G8-45151-00-00	COVER, UPPER CASING	1	
18	6G8-45113-A0-00	GASKET, UPPER CASING	1	
19	93606-12019-00	.PIN, DOWEL	2	
20	97395-08040-00	BOLT	6	
21	92990-08600-00	..WASHER, PLATE	6	
22	6G8-42741-00-EK	APRON 1	1	
22	6G8-42741-00-EL	APRON 1	1	
23	6G8-42791-00-00	MARK 1	1	
24	6G8-42771-00-EL	APRON 2	1	
24	6G8-42771-00-EK	APRON 2	1	
25	6G8-42792-00-00	MARK	1	
26	90157-06M04-00	SCREW, PAN HEAD	2	
27	6G8-11355-00-00	SEAL, CYLINDER 1	1	
28	6G8-45211-20-EL	EXTENSION	1	
29	90116-08M19-00	BOLT, STUD	4	
30	95380-08600-00	NUT	4	ULTRA LONG
31	92990-08600-00	..WASHER, PLATE	4	ULTRA LONG
32	93606-12019-00	.PIN, DOWEL	2	ULTRA LONG

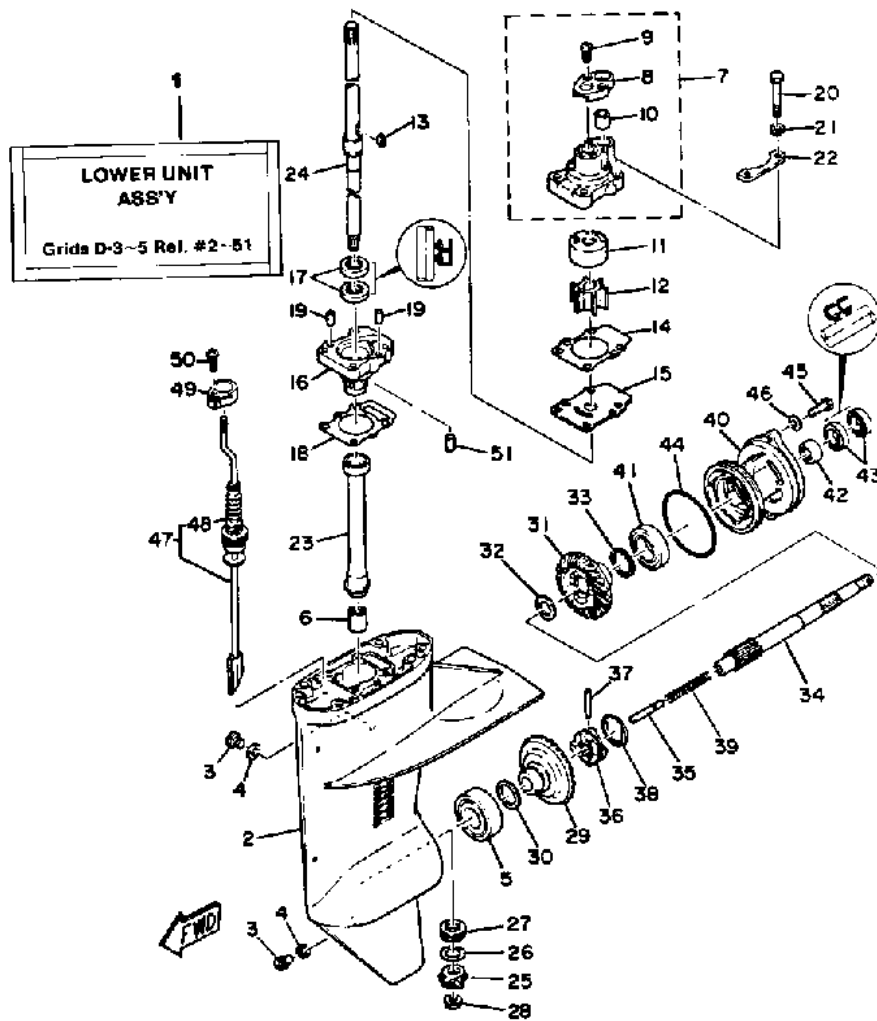
Part Notes

FT9.9EXK 1985 / UPPER CASING

PART NUMBER	NOTE TEXT
92990-06600-00 	OEM: This part number is among the Top 100 Most Popular Marine Maintenance Parts as of March 2014.
92990-06600-00 	OEM: This part number is among the Top 100 Most Popular Marine Maintenance Parts as of March 2014.

©2014 Yamaha Motor Corporation, U.S.A. All rights reserved.

FT9.9EXK 1985 / LOWER - DRIVE 1



©2014 Yamaha Motor Corporation, U.S.A. All rights reserved.

Part List




FT9.9EXK 1985 / LOWER - DRIVE 1

REF - NO	PART NUMBER	PART NAME	QUANTITY	REMARKS
1	6G8-45300-13-KT	6G8-13 LWR UNIT KT	1	
1	6G8-45300-23-KT	6G8-23 LWR UNIT KT	1	
2	6G8-45311-02-EL	CASING, LOWER	1	
2	99999-01614-00	CASING, LOWER	1	
3	90340-08M04-00	PLUG, STRAIGHT SCREW	3	
4	90430-08020-00	.GASKET	3	
5	93332-00005-00	BEARING	1	
6	93315-213V4-00	BEARING	1	
7	682-44300-01-00	HOUSING, WATER PUMP	1	
8	682-44312-00-00	COVER, WATER PUMP HOUSING	1	
9	97780-40112-00	SCREW, TAPPING	1	
10	682-44365-00-00	DAMPER, WATER SEAL	1	
11	682-44322-00-00	INSERT, CARTRIDGE	1	
12	682-44352-01-00	IMPELLER	1	
13	90280-03024-00	.KEY, WOODRUFF	1	
14	682-44315-A0-00	GASKET, WATER PUMP	2	
15	682-44323-00-00	OUTER PLATE, CARTRIDGE	1	
16	6G8-45331-00-5B	HOUSING, BEARING	1	
17	93101-20048-00	.OIL SEAL	2	
18	6G8-45315-A0-00	PACKING, LOWER CASING	1	
19	93606-12019-00	.PIN, DOWEL	2	
20	97395-06045-00	BOLT, HEXAGON	4	
21	92990-06600-00	WASHER, PLATE	4	
22	682-44328-00-00	PLATE	2	
23	6G8-45536-00-00	SLEEVE, DRIVE SHAFT	1	
24	6G8-45501-10-00	DRIVE SHAFT COMP.	1	
24	6G8-45501-20-00	DRIVE SHAFT COMP.	1	
25	6G8-45551-00-00	PINION (13T)	1	
26	6G8-45587-00-10	SHIM (T:0.10MM)	1	U.R.
26	6G8-45587-00-14	SHIM (T:0.14MM)	1	
26	6G8-45587-00-50	SHIM (T:0.50MM)	1	
26	6G8-45587-00-35	SHIM (T:0.35MM)	1	
26	6G8-45587-00-18	SHIM (T:0.18MM)	1	
27	93341-313U3-00	BEARING	1	
28	90179-08M06-00	NUT	1	
29	6G8-45560-00-00	GEAR	1	
30	626-45577-00-03	SHIM (T:0.30MM)	1	U.R.
30	626-45577-00-01	SHIM (T:0.10MM)	1	U.R.
30	626-45577-00-05	SHIM (T:0.50MM)	1	U.R.
31	6G8-45571-00-00	GEAR 2 (38T)	1	
32	90201-17682-00	WASHER, PLATE	1	
33	626-45577-00-01	SHIM (T:0.10MM)	1	U.R.
33	626-45577-00-03	SHIM (T:0.30MM)	1	U.R.
33	626-45577-00-05	SHIM (T:0.50MM)	1	U.R.
34	6G8-45611-00-00	SHAFT, PROPELLER	1	
35	650-45635-00-00	PLUNGER, SHIFT	1	
36	682-45631-00-00	CLUTCH, DOG	1	
37	90250-05010-00	PIN, STRAIGHT	1	
38	648-45633-00-00	RING, CROSS PIN	1	
39	90501-14M06-00	SPRING, COMPRESSION	1	
40	99999-02225-00	CAP, LOWER CASING (METALLIC MARINE SLV)	1	
40	99999-02226-00	CAP, LOWER CASING (HARBOR WHT)	1	
41	93306-00501-00	BEARING	1	
42	93315-317U2-00	BEARING	1	
43	93101-17054-00	.OIL SEAL	2	
44	93210-74M68-00	.O-RING	1	
45	97395-06020-00	BOLT, HEXAGON	2	
46	92990-06600-00	WASHER, PLATE	2	

47	6G8-44150-10-00	SHIFT CAM ASSY	1	
47	6G8-44150-20-00	SHIFT CAM ASSY	1	
48	682-44147-00-00	BOOT, SHIFT ROD	1	
49	682-44176-00-00	BRACKET	1	
50	97780-50110-00	SCREW, PAN HEAD	1	
51	93604-08062-00	PIN, DOWEL	1	
51	UNA-VAILA-BL-EI	TOOL	1	
51	UNA-VAILA-BL-EI	TOOL	1	

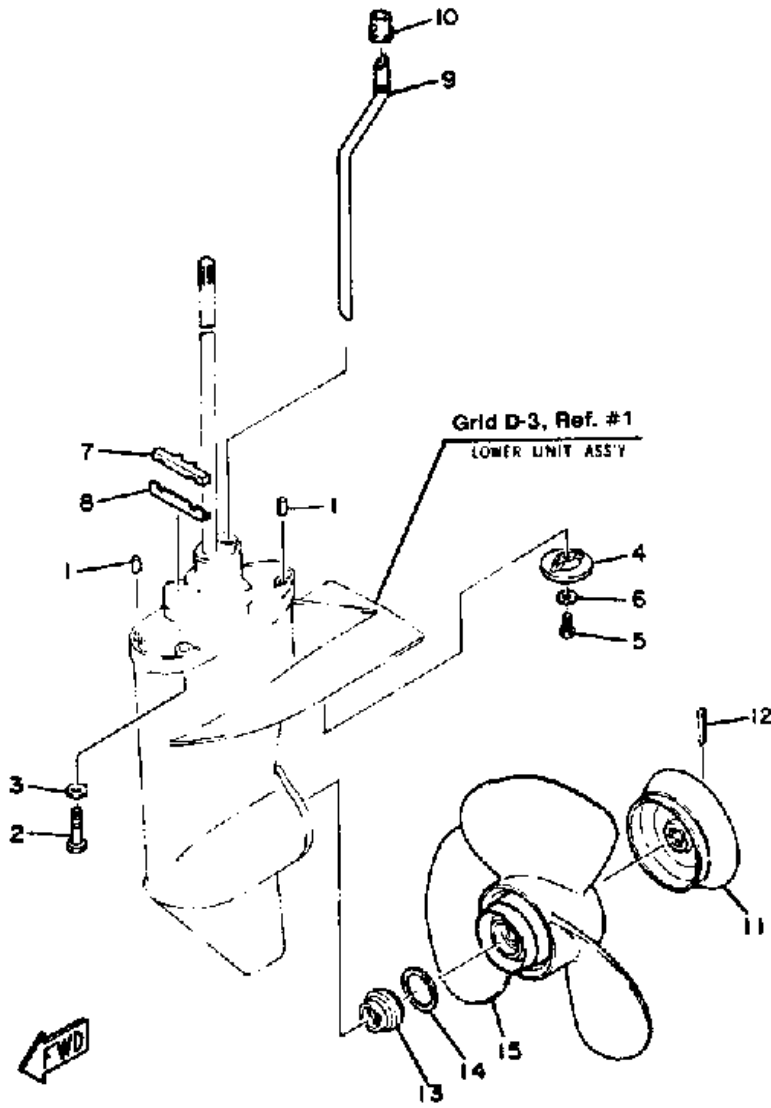
Part Notes

FT9.9EXK 1985 / LOWER - DRIVE 1

PART NUMBER		NOTE TEXT
90430-08020-00		OEM: This part number is among the Top 100 Most Popular Marine Maintenance Parts as of March 2014.
92990-06600-00		OEM: This part number is among the Top 100 Most Popular Marine Maintenance Parts as of March 2014.
92990-06600-00		OEM: This part number is among the Top 100 Most Popular Marine Maintenance Parts as of March 2014.

©2014 Yamaha Motor Corporation, U.S.A. All rights reserved.

FT9.9EXK 1985 / LOWER - DRIVE 2



©2014 Yamaha Motor Corporation, U.S.A. All rights reserved.


Part List

FT9.9EXK 1985 / LOWER - DRIVE 2

REF - NO	PART NUMBER	PART NAME	QUANTITY	REMARKS
1	93606-12019-00	.PIN, DOWEL	2	
2	97090-08035-00	BOLT	4	
3	92990-08600-00	..WASHER, PLATE	4	
4	6E8-45251-00-00	ANODE	1	
5	97395-06016-00	BOLT, HEX	1	
6	92990-06600-00	WASHER, PLATE	1	
7	682-45375-01-00	DAMPER, SEAL	1	
8	682-45376-01-00	GUIDE, SEAL DAMPER	1	
9	6G8-44361-20-00	TUBE, WATER	1	
9	6G8-44361-10-00	TUBE, WATER	1	
10	626-44365-01-00	DAMPER, WATER SEAL	1	
10	626-44365-01-00	DAMPER, WATER SEAL	1	
11	99999-01735-00	DEFLECTOR RING ASSEMBLY	1	
12	91490-30030-00	PIN, COTTER	1	
13	6G8-45987-01-00	SPACER 1	1	
14	90201-31MA3-00	WASHER, PLATE	1	
15	6G8-45943-00-00	PROPELLER (3X11-3/4"X9-1/4"-R)	1	
15	6G8-45941-00-00	PROPELLER (3X11" X 11-3/4"-R)	1	
15	6G8-45945-00-00	PROPELLER(3X11-3/4"X12-1/4"-R)	1	

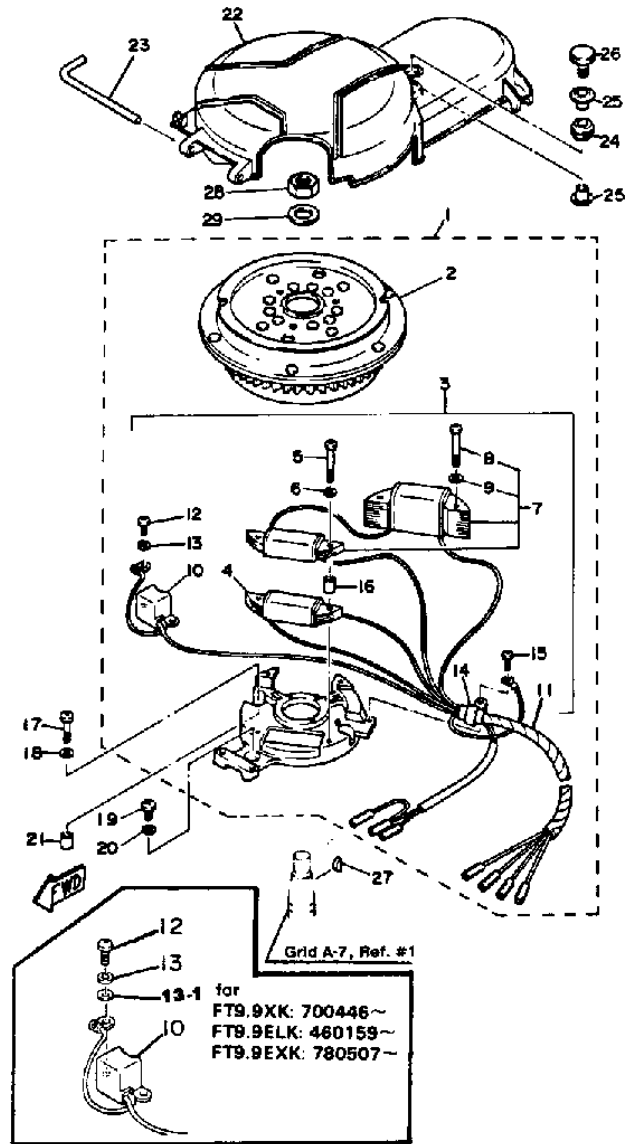
Part Notes

FT9.9EXK 1985 / LOWER - DRIVE 2

PART NUMBER	NOTE TEXT
92990-06600-00 	OEM: This part number is among the Top 100 Most Popular Marine Maintenance Parts as of March 2014.

©2014 Yamaha Motor Corporation, U.S.A. All rights reserved.

FT9.9EXK 1985 / C - D - I - MAGNETO ASSEMBLY



©2014 Yamaha Motor Corporation, U.S.A. All rights reserved.



Part List

FT9.9EXK 1985 / C - D - I - MAGNETO ASSEMBLY

REF - NO	PART NUMBER	PART NAME	QUANTITY	REMARKS
1	92990-05600-00	WASHER, PLATE	2	SEE NOTE
1	[6G-88550-01-00	UNAVAILABLE IN PRICE BOOK	1	
2	6G8-85550-J0-00	ROTOR ASSEMBLY	1	
3	6G8-85560-J0-00	BASE ASSEMBLY	1	
4	6G8-85520-00-00	COIL, CHARGE	1	
5	98501-05040-00	SCREW, PAN HEAD	2	
6	92990-05100-00	.WASHER, SPRING	2	
7	6G8-81303-J0-00	LIGHTING COIL ASSEMBLY	1	
8	98501-05040-00	SCREW, PAN HEAD	2	
9	92990-05100-00	.WASHER, SPRING	2	
10	6G8-85580-01-00	COIL PULSER	1	
11	6G8-85515-00-00	LEAD WIRE ASSEMBLY	1	
12	97808-05012-00	UNAVAILABLE IN PRICE BOOK	2	
13	92990-05100-00	.WASHER, SPRING	2	
14	445-81328-20-00	CLAMP	1	
15	98580-04008-00	.SCREW, PAN HEAD	1	
16	6G8-85519-00-00	SPACER	2	
17	98580-06025-00	SCREW, PAN HEAD	2	
18	92990-06600-00	WASHER, PLATE	2	
19	97803-06020-00	SCREW, PAN HEAD	1	
20	92990-06600-00	WASHER, PLATE	1	
21	91810-18012-00	PIN, DOWEL	2	
22	6G8-81337-00-00	COVER, FLYWHEEL	1	
23	6G8-42752-00-00	SHAFT	1	
24	90480-15M31-00	GROMMET	1	
25	90387-06M71-00	COLLAR	2	
26	6G8-81323-00-00	SCREW 1	1	
27	90280-16053-00	KEY, WOODRUFF	1	
28	90170-12066-00	NUT	1	
29	90201-12472-00	WASHER, PLATE	1	

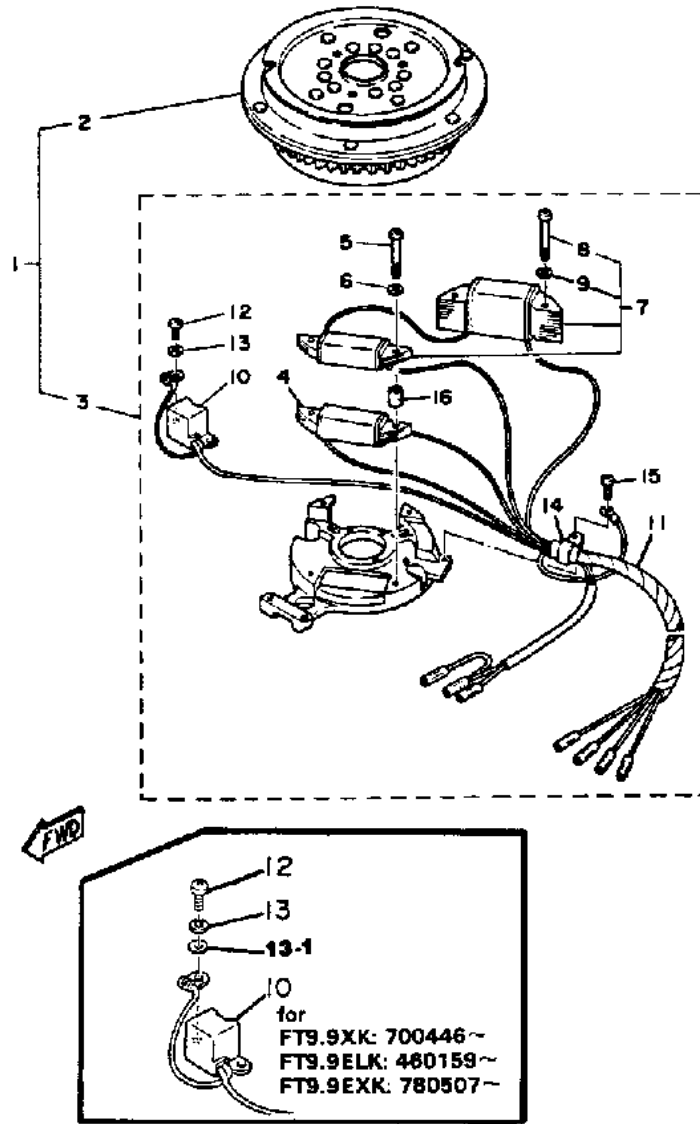
Part Notes

FT9.9EXK 1985 / C - D - I - MAGNETO ASSEMBLY

PART NUMBER	NOTE TEXT
92990-06600-00 	OEM: This part number is among the Top 100 Most Popular Marine Maintenance Parts as of March 2014.
92990-06600-00 	OEM: This part number is among the Top 100 Most Popular Marine Maintenance Parts as of March 2014.

©2014 Yamaha Motor Corporation, U.S.A. All rights reserved.

FT9.9EXK 1985 / C - D - I - MAGNETO (FT9 - 9E)

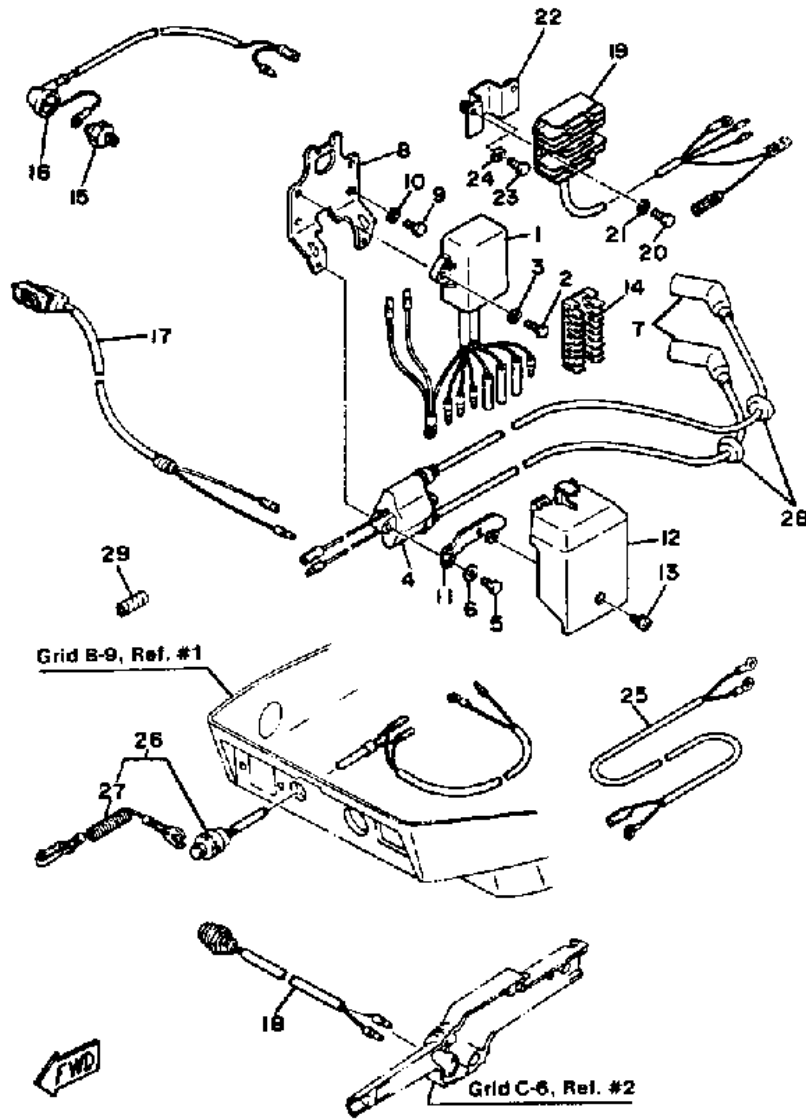


Part List

FT9.9EXK 1985 / C - D - I - MAGNETO (FT9 - 9E)

REF - NO	PART NUMBER	PART NAME	QUANTITY	REMARKS
1	92990-05600-00	WASHER, PLATE	2	SEE NOTE
1	[6G-88550-0K-00	UNAVAILABLE IN PRICE BOOK	1	
2	6G8-85550-K1-00	ROTOR ASSEMBLY.	1	
3	6G8-85560-J0-00	BASE ASSEMBLY	1	
4	6G8-85520-00-00	COIL, CHARGE	1	
5	98501-05040-00	SCREW, PAN HEAD	2	
6	92990-05100-00	.WASHER, SPRING	2	
7	6G8-81303-J0-00	LIGHTING COIL ASSEMBLY	1	
8	98501-05040-00	SCREW, PAN HEAD	2	
9	92990-05100-00	.WASHER, SPRING	2	
10	6G8-85580-01-00	COIL PULSER	1	
11	6G8-85515-00-00	LEAD WIRE ASSEMBLY	1	
12	98580-05012-00	.SCREW, PAN HEAD	2	
13	92990-05100-00	.WASHER, SPRING	2	
14	445-81328-20-00	CLAMP	1	
15	98580-04008-00	.SCREW, PAN HEAD	1	
16	6G8-85519-00-00	SPACER	2	

FT9.9EXK 1985 / ELECTRICAL



©2014 Yamaha Motor Corporation, U.S.A. All rights reserved.






Part List

FT9.9EXK 1985 / ELECTRICAL

REF - NO	PART NUMBER	PART NAME	QUANTITY	REMARKS
1	6G8-85540-22-00	C.D.I. UNIT ASSEMBLY	1	
2	97313-06025-00	BOLT	2	
3	92990-06600-00	WASHER, PLATE	2	
4	6G8-85570-21-00	IGNITION COIL ASSY	1	
5	97313-06020-00	BOLT, HEXAGON	2	
6	92990-06600-00	WASHER, PLATE	2	
7	6G8-82370-20-00	PLUG CAP ASSEMBLY	2	
8	6G8-85542-00-00	BRACKET	1	
9	97313-06020-00	BOLT, HEXAGON	2	
10	92990-06600-00	WASHER, PLATE	2	
11	6G8-85525-00-00	PLATE	1	
12	6G8-81916-00-00	COVER, TERMINAL	1	
13	90157-06M03-00	SCREW, PAN HEAD	1	
14	6G8-82522-00-00	CLAMP, COUPLER	1	
15	6G8-82504-00-00	OIL PRESSURE SWITCH ASSY	1	
16	6G8-82127-00-00	WIRE, LEAD 2	1	
17	6G8-83582-01-00	PILOT LIGHT ASSY	1	
18	6G8-82550-10-00	ENGINE STOP SWITCH ASSY	1	
19	6G8-81960-A0-00	RECTIFIER/REG ASSEMBLY	1	
20	97313-06016-00	BOLT, HEXAGON	2	
21	92990-06600-00	WASHER, PLATE	2	
22	6G8-81948-00-00	BRACKET	1	
23	97313-06016-00	BOLT, HEXAGON	1	
24	92990-06600-00	WASHER, PLATE	1	
25	6G8-81949-00-00	WIRE, LEAD	1	
26	6G8-82575-00-00	ENGINE STOP SWITCH ASSY	1	
27	(682-82566-00-00)	STOPPER ASSEMBLY	1	
28	90480-25161-00	GROMMET	2	
29	90446-10M02-00	HOSE	1	

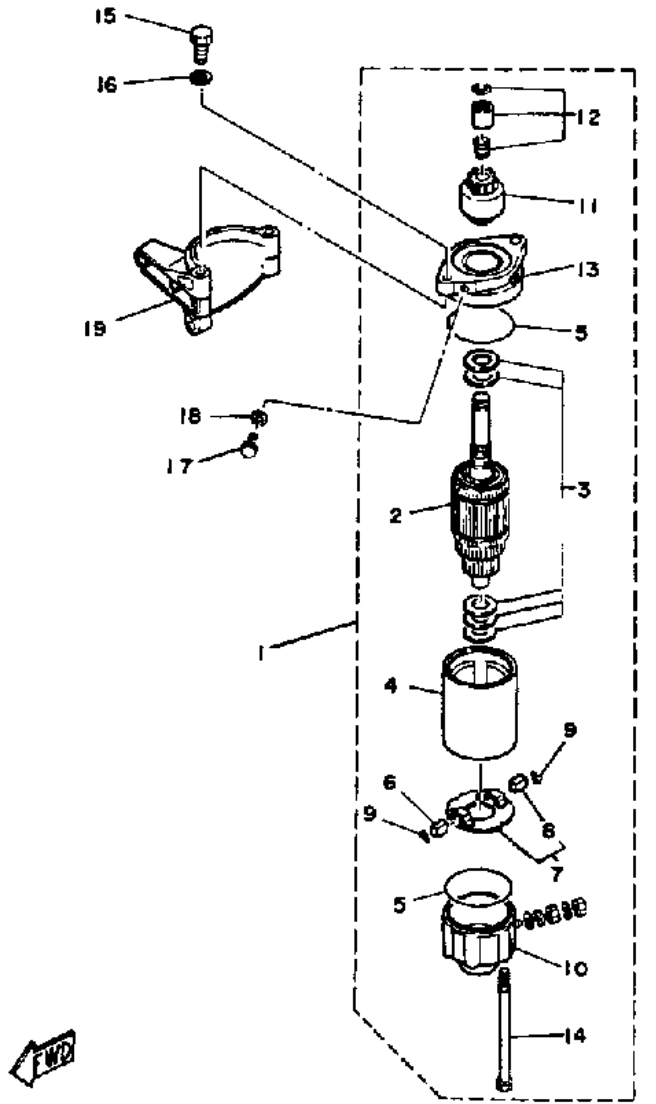
Part Notes

FT9.9EXK 1985 / ELECTRICAL

PART NUMBER	NOTE TEXT
92990-06600-00 	OEM: This part number is among the Top 100 Most Popular Marine Maintenance Parts as of March 2014.
92990-06600-00 	OEM: This part number is among the Top 100 Most Popular Marine Maintenance Parts as of March 2014.
92990-06600-00 	OEM: This part number is among the Top 100 Most Popular Marine Maintenance Parts as of March 2014.
92990-06600-00 	OEM: This part number is among the Top 100 Most Popular Marine Maintenance Parts as of March 2014.
92990-06600-00 	OEM: This part number is among the Top 100 Most Popular Marine Maintenance Parts as of March 2014.

©2014 Yamaha Motor Corporation, U.S.A. All rights reserved.

FT9.9EXK 1985 / STARTING MOTOR(FT9 - 9E)



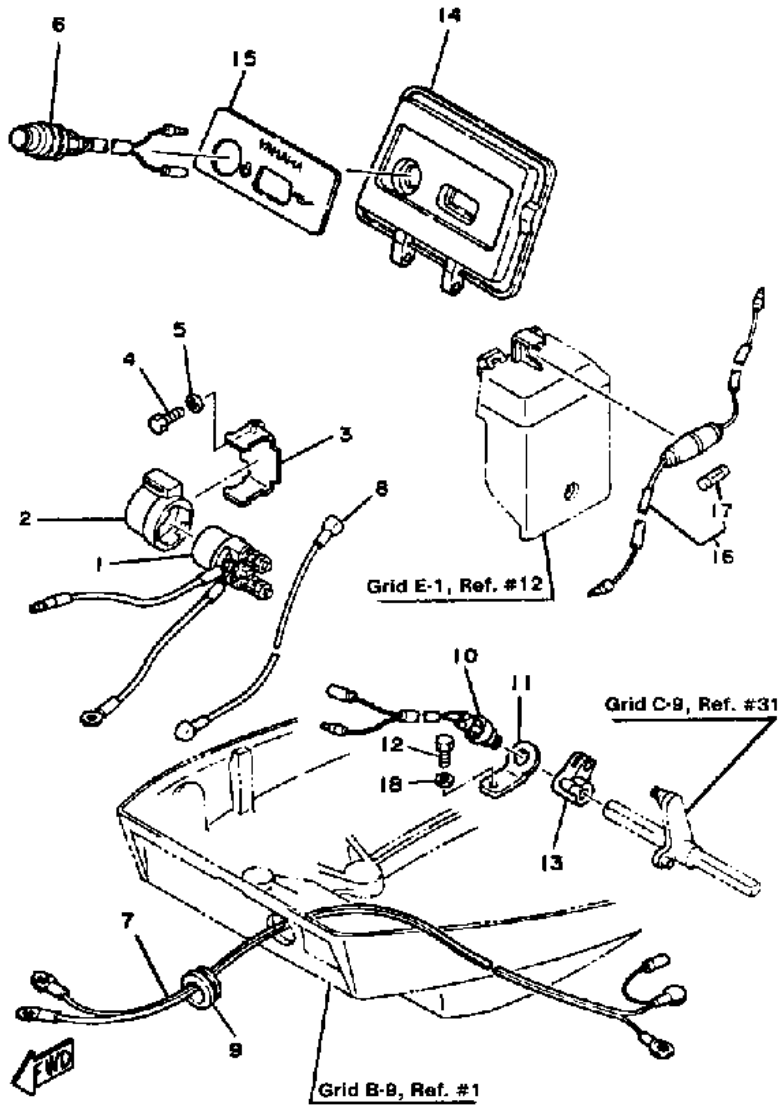
©2014 Yamaha Motor Corporation, U.S.A. All rights reserved.

Part List

FT9.9EXK 1985 / STARTING MOTOR(FT9 - 9E)

REF - NO	PART NUMBER	PART NAME	QUANTITY	REMARKS
1	6G8-81800-11-00	STARTING MOTOR ASSY	1	
2	689-81850-12-00	ARMATURE ASSY	1	
3	689-81809-11-00	.WASHER KIT	1	
4	689-81810-11-00	.STATOR ASSY	1	
5	689-81847-11-00	.O-RING	2	
6	689-81811-11-00	..BRUSH 1	1	
7	689-81840-11-00	.BRUSH HOLDER ASSY	1	
8	689-81812-11-00	..BRUSH 2	1	
9	689-81813-10-00	..SPRING, BRUSH	2	
10	689-81820-11-00	.REAR BRACKET ASSY	1	
11	689-81807-12-00	.GEAR ASSY, STARTING MOTOR	1	
12	689-81857-11-00	PINION STOPPER SET	1	
13	6F5-81830-11-00	.FRONT BRACKET ASSY	1	
14	689-81826-10-00	.BOLT	2	
15	97013-08025-00	BOLT	2	
16	92990-08600-00	..WASHER, PLATE	2	
17	97395-08016-00	BOLT	1	
18	92990-08600-00	..WASHER, PLATE	1	
19	6G8-81822-40-94	BRACKET, STARTING MOTOR	1	

FT9.9EXK 1985 / ELECTRIC PARTS(FT9 - 9E)



©2014 Yamaha Motor Corporation, U.S.A. All rights reserved.



Part List

FT9.9EXK 1985 / ELECTRIC PARTS(FT9 - 9E)

REF - NO	PART NUMBER	PART NAME	QUANTITY	REMARKS
1	6J0-81941-10-00	STARTER RELY ASSY	1	
2	6G1-81952-00-00	HOLDER, RELAY	1	
3	6G8-81953-00-00	STAY, RELAY	1	
4	97013-06012-00	BOLT	1	
5	92990-06600-00	WASHER, PLATE	1	
6	6G8-81870-00-00	STARTING SWITCH ASSY	1	
7	6G8-82105-00-00	BATTERY CABLE	1	
8	6G8-82117-00-00	WIRE, LEAD	1	
9	6G8-42724-40-00	GROMMET	1	
10	6H3-82540-00-00	NEUTRAL SWITCH ASSY	1	
11	6G8-82554-00-00	STAY, NEUTRAL SWITCH	1	
12	97013-06012-00	BOLT	1	
13	6G8-44125-00-00	LEVER, SHIFT ROD	1	
14	6G8-W4261-10-00	PANEL, FRONT UPPER	1	
15	6G8-42677-10-00	GRAPHIC, FRONT	1	
16	6G8-82150-00-00	FUSE HOLDER ASSY	1	
17	682-82151-00-00	FUSE (12V-20A)	1	
18	92990-06600-00	WASHER, PLATE	1	

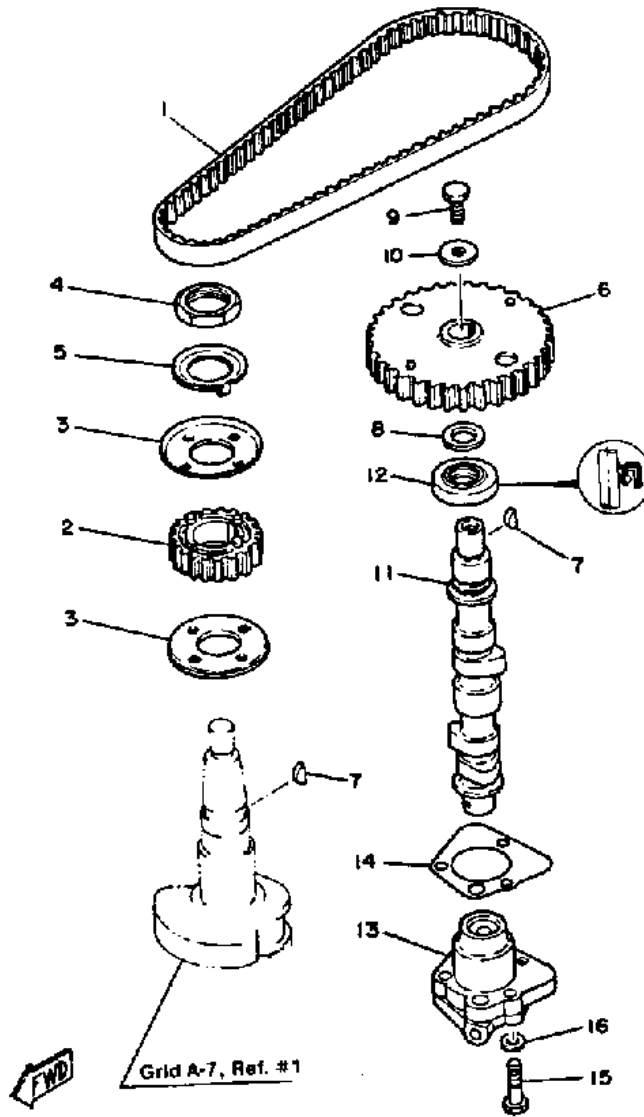
Part Notes

FT9.9EXK 1985 / ELECTRIC PARTS(FT9 - 9E)

PART NUMBER		NOTE TEXT
92990-06600-00		OEM: This part number is among the Top 100 Most Popular Marine Maintenance Parts as of March 2014.
92990-06600-00		OEM: This part number is among the Top 100 Most Popular Marine Maintenance Parts as of March 2014.

©2014 Yamaha Motor Corporation, U.S.A. All rights reserved.

FT9.9EXK 1985 / OIL PUMP - BELT



©2014 Yamaha Motor Corporation, U.S.A. All rights reserved.


Part List

FT9.9EXK 1985 / OIL PUMP - BELT

REF - NO	PART NUMBER	PART NAME	QUANTITY	REMARKS
1	6G8-46241-00-00	V-BELT	1	
2	6G8-11536-00-94	GEAR, DRIVE	1	
3	6G8-11557-00-00	WASHER 1	2	
4	90170-24M09-00	NUT	1	
5	6G8-11587-00-00	WASHER, LOCK	1	
6	6G8-11537-00-94	GEAR, DRIVEN	1	
7	90280-03M01-00	.KEY, WOODRUFF	2	
8	90201-13201-00	WASHER, PLATE	1	
9	97313-06016-00	BOLT, HEXAGON	1	
10	90201-06M94-00	WASHER, PLATE	1	
11	6G8-12171-00-00	CAMSHAFT 1	1	
12	93102-18M21-00	.OIL SEAL	1	
13	6G8-13300-01-00	OIL PUMP ASSEMBLY	1	
14	6G8-13329-00-00	GASKET, PUMP COVER	1	
15	97313-06025-00	BOLT	3	
16	92990-06600-00	WASHER, PLATE	3	

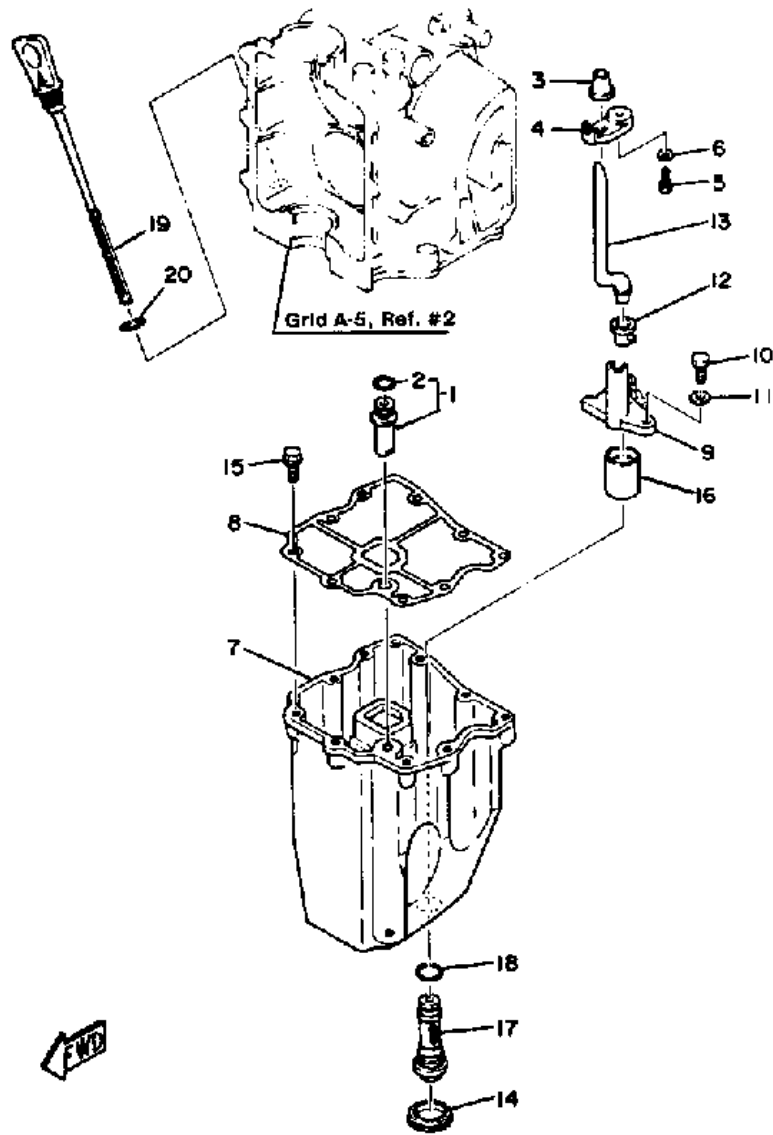
Part Notes

FT9.9EXK 1985 / OIL PUMP - BELT

PART NUMBER	NOTE TEXT
92990-06600-00 	OEM: This part number is among the Top 100 Most Popular Marine Maintenance Parts as of March 2014.

©2014 Yamaha Motor Corporation, U.S.A. All rights reserved.

FT9.9EXK 1985 / OIL PAN



©2014 Yamaha Motor Corporation, U.S.A. All rights reserved.

Part List

FT9.9EXK 1985 / OIL PAN

REF - NO	PART NUMBER	PART NAME	QUANTITY	REMARKS
1	6G8-11575-00-00	RELIEF VALVE ASSY	1	
2	93210-12M62-00	.O-RING	1	
3	6G8-15379-00-00	SEAL, CRANKCASE	1	
4	6G8-13487-00-00	GUIDE, OIL HOSE	1	
5	98580-05012-00	.SCREW, PAN HEAD	1	
6	92901-05600-00	WASHER	1	
7	6G8-15311-02-0D	OIL PAN	1	
8	6G8-15312-09-00	GASKET, OIL PAN	1	
9	6G8-13412-00-00	HOUSING, STRAINER	1	
10	97313-06016-00	BOLT, HEXAGON	1	
11	90201-061A5-00	.WASHER, PLATE	1	
12	6G8-15315-00-00	SEAL, CRANKCASE	1	
13	6G8-15397-00-00	GASKET, O/SL HSNQ	1	
14	6G8-15316-00-00	DAMPER, ENGINE MOUNT 1	1	
15	90105-06M33-00	BOLT, FLANGE	9	
16	6G8-13417-00-00	COVER, STRAINER	1	
17	6G8-13411-01-00	STRAINER, OIL	1	
18	93210-16716-00	O-RING	1	
19	6G8-15362-02-00	PLUG, OIL LEVEL	1	
20	93210-12M63-00	UNAVAILABLE IN PRICE BOOK	1	


Part List

FT9.9EXK 1985 / REMOTE CONTROL

REF - NO	PART NUMBER	PART NAME	QUANTITY	REMARKS
1	701-48101-51-00	REMOTE CONTROL ASSY (RIGHT)	1	
2	ABA-CABLE-12-GY	REMOTE CONTROL CABLES (12')	2	
2	ABA-CABLE-22-GY	REMOTE CONTROL CABLES (22')	2	
2	ABA-CABLE-20-GY	REMOTE CONTROL CABLES (20')	2	
2	ABA-CABLE-19-GY	REMOTE CONTROL CABLES (19')	2	
2	ABA-CABLE-18-GY	REMOTE CONTROL CABLES (18')	2	
2	ABA-CABLE-08-GY	REMOTE CONTROL CABLES (8')	2	
2	ABA-CABLE-09-GY	REMOTE CONTROL CABLES (9')	2	
2	ABA-CABLE-10-GY	REMOTE CONTROL CABLES (10')	2	
2	ABA-CABLE-11-GY	REMOTE CONTROL CABLES (11')	2	
2	ABA-CABLE-13-GY	REMOTE CONTROL CABLES (13')	2	
2	ABA-CABLE-14-GY	REMOTE CONTROL CABLES (14')	2	
2	ABA-CABLE-15-GY	REMOTE CONTROL CABLES (15')	2	
2	ABA-CABLE-16-GY	REMOTE CONTROL CABLES (16')	2	
2	ABA-CABLE-17-GY	REMOTE CONTROL CABLES (17')	2	
3	6G8-48501-03-00	REMOTE CONT. ATTACHMENT ASSY	1	
4	6G8-48531-50-00	GROMMET	1	
5	6G8-48532-50-00	BRACKET, REMOTE CONTROL 2	1	
6	6G8-48538-50-00	CLAMP, CABLE 1	1	
7	97395-06030-00	BOLT	1	
8	92990-06600-00	WASHER, PLATE	3	
9	97395-06012-00	BOLT	2	
10	6G8-48565-50-00	GROMMET	1	
11	95380-06700-00	NUT	2	
12	90387-06M73-00	COLLAR	1	
13	93430-04M03-00	CIRCLIP	1	

Part Notes

FT9.9EXK 1985 / REMOTE CONTROL

PART NUMBER	NOTE TEXT
92990-06600-00 	OEM: This part number is among the Top 100 Most Popular Marine Maintenance Parts as of March 2014.

©2014 Yamaha Motor Corporation, U.S.A. All rights reserved.

FT9.9EXK 1985 / REPAIR KIT

No Image
Available

©2014 Yamaha Motor Corporation, U.S.A. All rights reserved.


Part List

FT9.9EXK 1985 / REPAIR KIT

REF - NO	PART NUMBER	PART NAME	QUANTITY	REMARKS
1	6G8-W0001-00-00	POWER HEAD GASKET KIT	1	
2	6G8-41112-02-00	GASKET, EXHAUST INNER COVER	2	
3	6G8-12414-A0-00	.GASKET, COVER	1	
4	6G8-11181-A0-00	GASKET, CYLINDER HEAD 1	1	
5	93210-11M59-00	O-RING	1	
6	93210-13M63-00	.O-RING	1	
7	93210-25070-00	O-RING	1	
8	6G8-11351-A0-00	GASKET, CYLINDER	1	
9	93102-30M22-00	.OIL SEAL	1	
10	93101-25M24-00	OIL SEAL	1	
11	93102-18M21-00	.OIL SEAL	1	
12	6G8-45315-A0-00	PACKING, LOWER CASING	1	
12	6G8-13329-00-00	GASKET, PUMP COVER	1	
13	6G8-13646-A0-00	GASKET, MANIFOLD 2	2	
14	6G8-13645-00-00	GASKET, MANIFOLD 1	1	
15	6G8-14198-00-00	GASKET	1	
16	6G8-15374-00-00	GASKET, BREATHER	1	
17	6G8-W0093-00-00	CARB REPAIR KIT	1	
18	6G8-14198-00-00	GASKET	1	
19	6G8-14384-00-00	GASKET, FLOAT CHAMBER	1	
20	647-14386-10-00	PIN, FLOAT	1	
21	654-14198-00-00	GASKET	1	
22	6G8-14323-00-00	SCREW, AIR ADJUSTING	1	
23	6G8-14392-00-00	VALVE, NEEDLE	1	
24	6G8-14385-00-00	FLOAT	1	
25	98580-04016-00	SCREW, PAN HEAD	1	
26	92901-04100-00	WASHER, SPRING	1	
27	33A-14369-00-00	DIAPHRAGM ASSEMBLY	1	
29	5H0-14397-00-00	O-RING	1	
30	5Y1-14397-00-00	O-RING	1	
31	6G8-W0001-20-00	LWR UNIT GASKETKIT	1	
32	6G8-15312-09-00	GASKET, OIL PAN	1	
33	93210-16716-00	O-RING	1	
34	93210-13M63-00	.O-RING	1	
35	93210-08M60-00	O-RING	1	
36	93101-13M27-00	O-RING	1	
37	6G8-41133-A0-00	GASKET, EXHAUST MANIFOLD 1	1	
38	6G8-45113-A0-00	GASKET, UPPER CASING	1	
39	90430-08020-00	.GASKET	3	
40	682-44315-A0-00	GASKET, WATER PUMP	2	
41	93101-20048-00	.OIL SEAL	2	
43	93101-17054-00	.OIL SEAL	2	
44	93210-74M68-00	.O-RING	1	
45	682-45375-01-00	DAMPER, SEAL	1	
46	626-44365-01-00	DAMPER, WATER SEAL	1	
47	682-W0078-01-00	WATER PUMP REPAIR KIT	1	
48	682-44365-00-00	DAMPER, WATER SEAL	1	
49	682-44322-00-00	INSERT, CARTRIDGE	1	
50	682-44352-01-00	IMPELLER	1	
51	90280-03024-00	.KEY, WOODRUFF	1	
52	682-44315-A0-00	GASKET, WATER PUMP	2	
53	682-44323-00-00	OUTER PLATE, CARTRIDGE	1	
54	97395-06045-00	BOLT, HEXAGON	4	

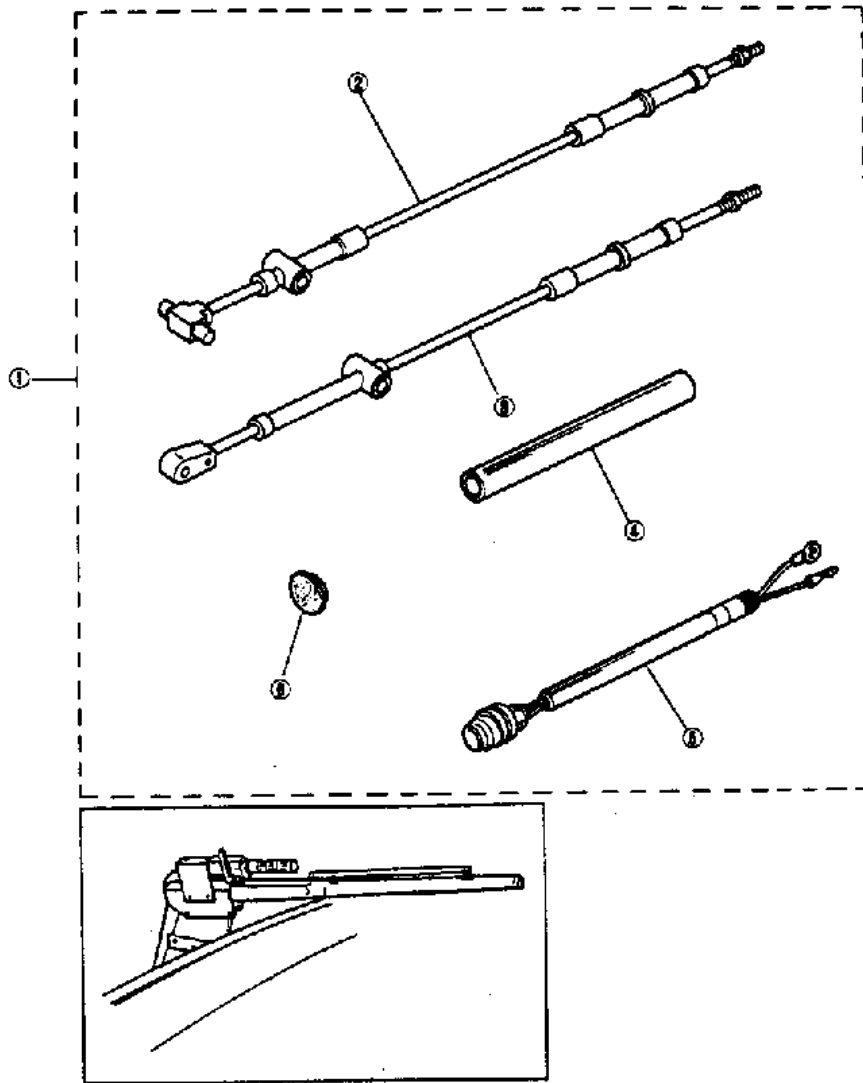
Part Notes

FT9.9EXK 1985 / REPAIR KIT

PART NUMBER	NOTE TEXT
90430-08020-00 	OEM: This part number is among the Top 100 Most Popular Marine Maintenance Parts as of March 2014.

©2014 Yamaha Motor Corporation, U.S.A. All rights reserved.

FT9.9EXK 1985 / HANDY REMOTE CONTROL KIT



©2014 Yamaha Motor Corporation, U.S.A. All rights reserved.

Part List

FT9.9EXK 1985 / HANDY REMOTE CONTROL KIT

REF - NO	PART NUMBER	PART NAME	QUANTITY	REMARKS
1	6G8-W4831-01-00	REMOTE TLR RIG KIT	1	
2	6G8-48311-11-00	CABLE	1	
3	6G8-48321-10-00	CABLE	1	
4	90445-20ME5-00	HOSE	1	
5	6G8-82550-20-00	ENGINE STOP SWITCH ASSY	1	
6	90480-17165-00	GROMMET	1	

©2014 Yamaha Motor Corporation, U.S.A. All rights reserved.