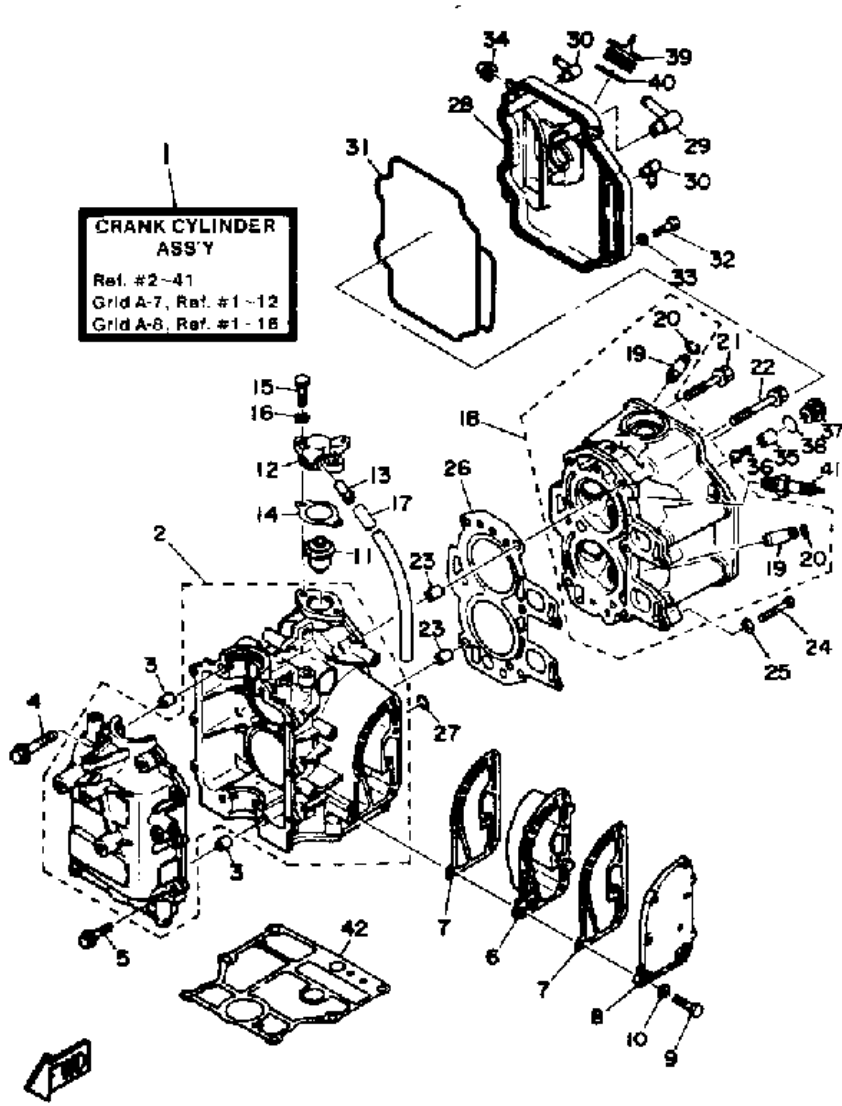


FT9.9EXJ 1986 / CRANKCASE CYLINDER



©2014 Yamaha Motor Corporation, U.S.A. All rights reserved.





## Part List

FT9.9EXJ 1986 / CRANKCASE CYLINDER

| REF - NO | PART NUMBER     | PART NAME                           | QUANTITY | REMARKS      |
|----------|-----------------|-------------------------------------|----------|--------------|
| 1        | 6G8-W0090-06-EK | CRANK CYLINDER ASSEMBLY             | 1        | U.R. FOR MMS |
| 1        | 6G8-W0090-06-EL | CRANK-CYLINDER.ASSEMBLY.            | 1        | U.R. FOR HW  |
| 2        | 6G8-15100-02-94 | CRANKCASE ASSEMBLY                  | 1        |              |
| 3        | 99510-10114-00  | PIN, DOWEL                          | 2        |              |
| 4        | 90119-08M18-00  | BOLT, WITH WASHER                   | 4        |              |
| 5        | 90119-06M12-00  | BOLT, WITH WASHER                   | 6        |              |
| 6        | 6G8-41111-02-9M | INNER COVER, EXHAUST                | 1        |              |
| 7        | 6G8-41112-02-00 | GASKET, EXHAUST INNER COVER         | 2        |              |
| 8        | 6G8-41113-00-9M | EXHAUST OUTER CUR.                  | 1        |              |
| 9        | 97313-06025-00  | BOLT                                | 7        |              |
| 10       | 92990-06600-00  | WASHER, PLATE                       | 7        |              |
| 11       | 6G8-12411-02-00 | THERMOSTAT                          | 1        |              |
| 12       | 6G8-12413-00-94 | COVER, THERMOSTAT (6G8-12413-00-9M) | 1        |              |
| 13       | 6E5-24377-00-00 | PIPE, JOINT 2                       | 1        |              |
| 14       | 6G8-12414-A0-00 | .GASKET, COVER                      | 1        |              |
| 15       | 97313-06020-00  | BOLT, HEXAGON                       | 1        |              |
| 16       | 92990-06600-00  | WASHER, PLATE                       | 2        |              |
| 17       | 90445-11M66-00  | .HOSE (L410)                        | 1        |              |
| 18       | 6G8-11111-09-94 | HEAD, CYLINDER 1                    | 1        |              |
| 19       | 6G8-11133-10-00 | GUIDE, VALVE 1                      | 4        |              |
| 20       | 93450-09M01-00  | .CIRCLIP                            | 4        |              |
| 21       | 90105-08M37-00  | BOLT, FLANGE                        | 3        |              |
| 22       | 90105-08M36-00  | BOLT, FLANGE                        | 3        |              |
| 23       | 99510-10114-00  | PIN, DOWEL                          | 2        |              |
| 24       | 97013-06035-00  | BOLT                                | 2        |              |
| 25       | 92990-06600-00  | WASHER, PLATE                       | 2        |              |
| 26       | 6G8-11181-A0-00 | GASKET, CYLINDER HEAD 1             | 1        |              |
| 27       | 93210-11M59-00  | O-RING                              | 1        |              |
| 28       | 6G8-11191-00-94 | COVER, CYLINDER.HEAD 1              | 1        |              |
| 29       | 6G8-15373-00-00 | PIPE, BREATHER                      | 1        |              |
| 30       | 676-11372-00-00 | .NIPPLE, HOSE                       | 2        |              |
| 31       | 6G8-11356-00-00 | SEAL, CYLINDER 2                    | 1        |              |
| 32       | 97313-06020-00  | BOLT, HEXAGON                       | 4        |              |
| 33       | 92990-06600-00  | WASHER, PLATE                       | 4        |              |
| 34       | 6G8-81336-00-00 | GROMMET                             | 2        |              |
| 35       | 6G8-11325-00-00 | ANODE                               | 1        |              |
| 36       | 98580-05525-00  | SCREW, PAN HEAD                     | 1        |              |
| 37       | 6G8-11197-00-00 | PLUG, BLIND                         | 1        |              |
| 38       | 93210-13M63-00  | .O-RING                             | 1        |              |
| 39       | 6G8-15363-00-00 | PLUG, OIL                           | 1        |              |
| 40       | 93210-25070-00  | O-RING                              | 1        |              |
| 41       | NGK-CR6HS-00-00 | PLUG SPARK (NGK CR6HS)              | 2        |              |
| 42       | 6G8-11351-A0-00 | GASKET, CYLINDER                    | 1        |              |

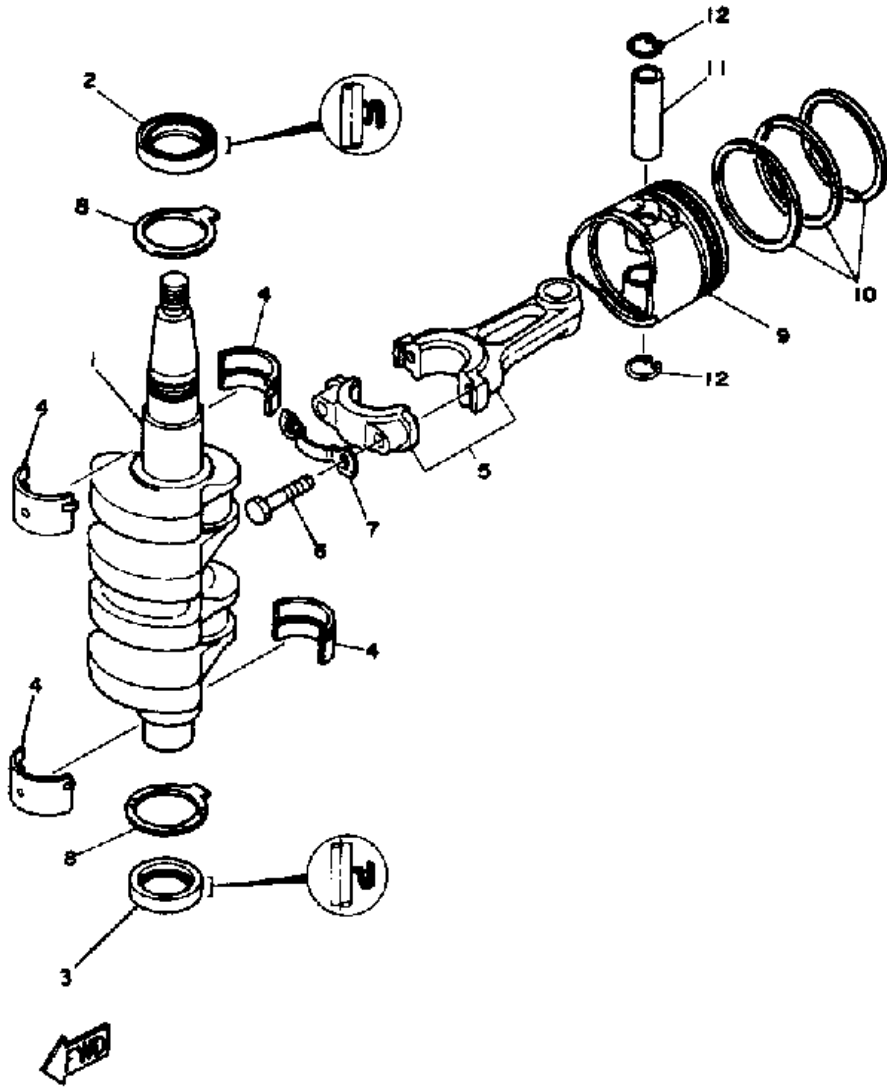
## Part Notes

FT9.9EXJ 1986 / CRANKCASE CYLINDER

| PART NUMBER  | NOTE TEXT  |
|--|--|
| 92990-06600-00  | OEM: This part number is among the Top 100 Most Popular Marine Maintenance Parts as of March 2014. |
| 92990-06600-00  | OEM: This part number is among the Top 100 Most Popular Marine Maintenance Parts as of March 2014. |
| 92990-06600-00  | OEM: This part number is among the Top 100 Most Popular Marine Maintenance Parts as of March 2014. |
| 92990-06600-00  | OEM: This part number is among the Top 100 Most Popular Marine Maintenance Parts as of March 2014. |

©2014 Yamaha Motor Corporation, U.S.A. All rights reserved.

FT9.9EXJ 1986 / CRANK PISTON



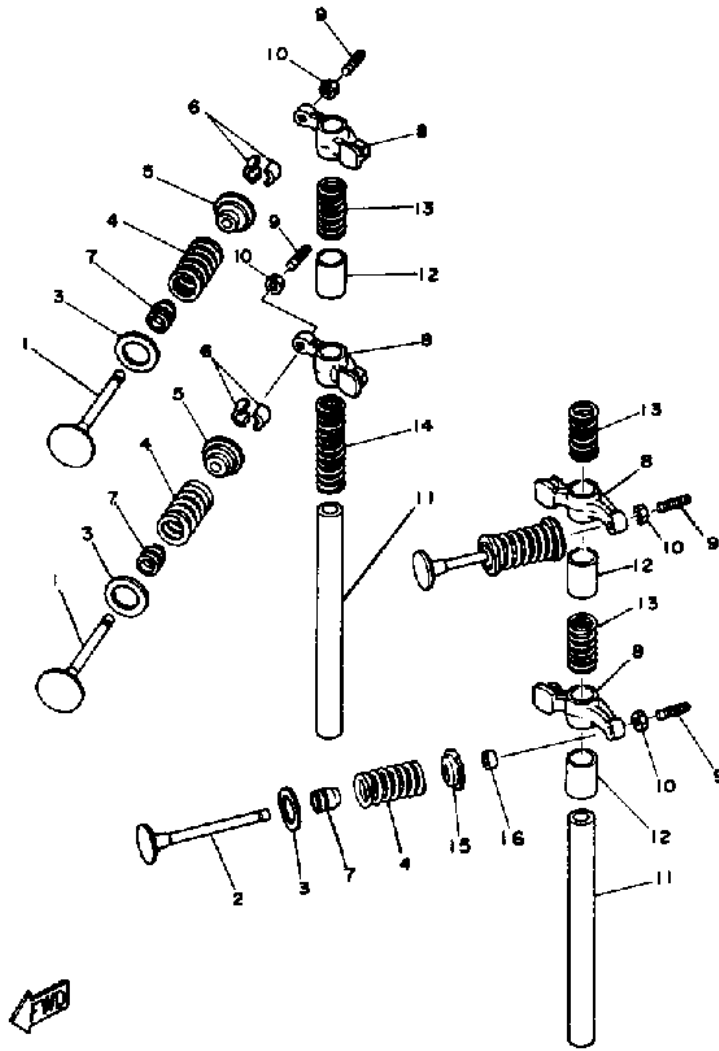
©2014 Yamaha Motor Corporation, U.S.A. All rights reserved.

## Part List

FT9.9EXJ 1986 / CRANK PISTON

| REF<br>-<br>NO | PART<br>NUMBER  | PART NAME                      | QUANTITY | REMARKS   |
|----------------|-----------------|--------------------------------|----------|-----------|
| 1              | 6G8-11411-04-00 | CRANKSHAFT                     | 1        |           |
| 2              | 93102-30M22-00  | .OIL SEAL                      | 1        |           |
| 3              | 93101-25M24-00  | OIL SEAL                       | 1        |           |
| 4              | 6G8-11416-10-00 | PLANE BEARING,<br>CRANKSHAFT 1 | 4        | U.R.      |
| 4              | 6G8-11416-00-00 | PLANE BEARING,<br>CRANKSHAFT 1 | 4        | U.R.      |
| 4              | 6G8-11416-20-00 | PLANE BEARING,<br>CRANKSHAFT 1 | 4        | U.R.      |
| 5              | 6G8-11650-03-00 | CONNECTING ROD ASSY            | 2        |           |
| 6              | 6G8-11654-00-00 | BOLT, CONNECTING ROD           | 4        |           |
| 7              | 90201-06M00-00  | WASHER, PLATE                  | 2        |           |
| 8              | 6G8-11426-00-00 | PLANE BEARING,<br>CRANKSHAFT 1 | 2        |           |
| 9              | 6G8-11631-01-97 | PISTON STD                     | 2        |           |
| 9              | 6G8-11636-01-00 | PISTON 2 O/S 0.50              | 2        | ALT. PART |
| 10             | 6G8-11610-20-00 | PISTON RING SET (2ND O/S)      | 2        | ALT. PART |
| 10             | 6G8-11610-00-00 | PISTON RING SET (STD)          | 2        |           |
| 11             | 634-11633-00-00 | PIN, PISTON                    | 2        |           |
| 12             | 93450-15023-00  | CIRCLIP                        | 4        |           |

FT9.9EXJ 1986 / VALVE



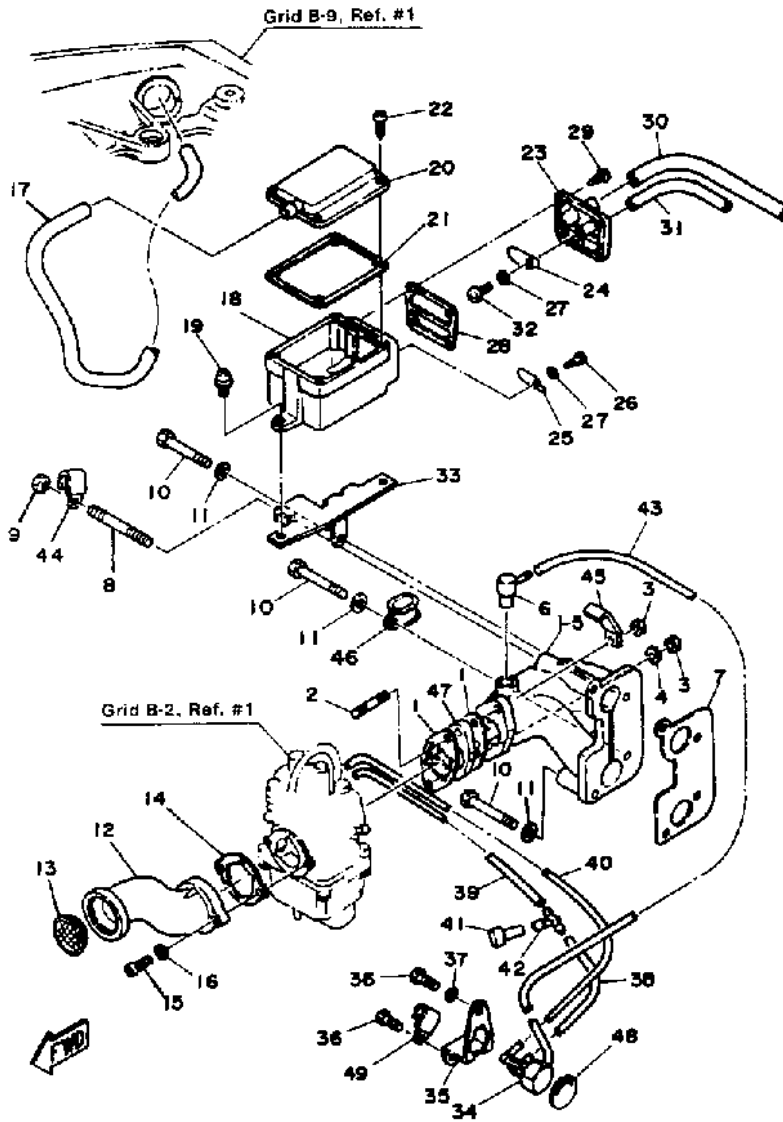
©2014 Yamaha Motor Corporation, U.S.A. All rights reserved.

## Part List

FT9.9EXJ 1986 / VALVE

| REF<br>-<br>NO | PART<br>NUMBER  | PART NAME                      | QUANTITY | REMARKS |
|----------------|-----------------|--------------------------------|----------|---------|
| 1              | 6G8-12111-00-00 | VALVE, INTAKE                  | 2        |         |
| 2              | 6G8-12121-01-00 | VALVE, EXHAUST                 | 2        |         |
| 3              | 6G8-12116-00-00 | SEAT, VALVE SPRING             | 4        |         |
| 4              | 6G8-12113-00-00 | SPRING, VALVE INNER            | 4        |         |
| 5              | 6G8-12117-00-00 | RETAINER, VALVE SPRING         | 2        |         |
| 6              | 30X-12118-00-00 | LOCK, VALVE SPRING<br>RETAINER | 4        |         |
| 7              | 51Y-12119-00-00 | SEAL, VALVE STEM               | 4        |         |
| 8              | 6G8-12151-00-00 | ARM, VALVE ROCKER              | 4        |         |
| 9              | 6G8-12159-00-00 | SCREW, VALVE ADJUSTING         | 4        |         |
| 10             | 6G8-12158-00-00 | NUT, LOCK                      | 4        |         |
| 11             | 6G8-12146-00-00 | SHAFT, ROCKER                  | 2        |         |
| 12             | 90387-13M56-00  | COLLAR                         | 3        |         |
| 13             | 90501-12M40-00  | SPRING, COMPRESSION            | 3        |         |
| 14             | 90501-12M41-00  | SPRING, COMPRESSION            | 1        |         |
| 15             | 6G8-12117-10-00 | RETAINER, VALVE SPRING         | 2        |         |
| 16             | 6G8-12153-00-00 | LIFTER, VALVE                  | 2        |         |

FT9.9EXJ 1986 / INTAKE



©2014 Yamaha Motor Corporation, U.S.A. All rights reserved.




## Part List

FT9.9EXJ 1986 / INTAKE

| REF<br>-<br>NO | PART<br>NUMBER  | PART NAME                | QUANTITY | REMARKS |
|----------------|-----------------|--------------------------|----------|---------|
| 1              | 6G8-13646-A0-00 | GASKET, MANIFOLD 2       | 2        |         |
| 2              | 90116-06M26-00  | BOLT, STUD               | 2        |         |
| 3              | 95380-06700-00  | NUT                      | 2        |         |
| 4              | 92990-06600-00  | WASHER, PLATE            | 1        |         |
| 5              | 6G8-13641-00-94 | MANIFOLD 1               | 1        |         |
| 6              | 6G8-11370-00-00 | CHECK VALVE ASSEMBLY     | 1        |         |
| 7              | 6G8-13645-00-00 | GASKET, MANIFOLD 1       | 1        |         |
| 8              | 90116-06M15-00  | BOLT, STUD               | 1        |         |
| 9              | 95380-06700-00  | NUT                      | 1        |         |
| 10             | 97313-06045-00  | BOLT, HEXAGON            | 3        |         |
| 11             | 92990-06600-00  | WASHER, PLATE            | 3        |         |
| 12             | 6G8-14479-01-94 | FUNNEL                   | 1        |         |
| 13             | 6G8-14478-00-00 | LOUVER                   | 1        |         |
| 14             | 6G8-14198-00-00 | GASKET                   | 1        |         |
| 15             | 98580-05016-00  | SCREW, PAN HEAD          | 2        |         |
| 16             | 92990-05600-00  | WASHER, PLATE            | 2        |         |
| 17             | 6G8-15393-00-00 | PIPE, BREATHER 2         | 1        |         |
| 18             | 6G8-15358-00-00 | SEPARATOR, OIL           | 1        |         |
| 19             | 90159-06M05-00  | SCREW, WITH WASHER       | 2        |         |
| 20             | 6G8-15368-00-94 | SEPERATOR, OIL           | 1        |         |
| 21             | 6G8-15369-00-00 | GASKET, OIL SEAL HOUSING | 1        |         |
| 22             | 97780-40112-00  | SCREW, TAPPING           | 4        |         |
| 23             | 6G8-15371-00-94 | BREATHER                 | 1        |         |
| 24             | 6G8-15346-00-00 | BREATHER 1               | 1        |         |
| 25             | 6G8-15347-00-00 | BREATHER 2               | 1        |         |
| 26             | 97780-40112-00  | SCREW, TAPPING           | 1        |         |
| 27             | 92990-04200-00  | WASHER                   | 2        |         |
| 28             | 6G8-15374-00-00 | GASKET, BREATHER         | 1        |         |
| 29             | 97780-40112-00  | SCREW, TAPPING           | 4        |         |
| 30             | 90445-11M52-00  | HOSE (L150)              | 1        |         |
| 31             | 90445-09065-00  | HOSE (L90)               | 1        |         |
| 32             | 98580-04010-00  | .SCREW, PAN HEAD         | 1        |         |
| 33             | 6G8-15376-00-00 | HOLDER, GUIDE            | 1        |         |
| 34             | 6G8-14399-00-00 | VALVE, BIMETAL           | 1        |         |
| 35             | 6G8-11395-00-00 | HOLDER                   | 1        |         |
| 36             | 97013-06012-00  | BOLT                     | 2        |         |
| 37             | 92990-06600-00  | WASHER, PLATE            | 1        |         |
| 38             | 90445-08MF5-00  | HOSE                     | 1        |         |
| 39             | 90445-08MF4-00  | HOSE                     | 1        |         |
| 40             | 90445-08MF7-00  | HOSE                     | 1        |         |
| 41             | 6G8-14309-00-00 | JET CMLPT.               | 1        |         |
| 42             | 6E0-24378-00-00 | PIPE, JOINT 3            | 1        |         |
| 43             | 90445-08MF6-00  | HOSE                     | 1        |         |
| 44             | 90465-08028-00  | CLAMP                    | 1        |         |
| 45             | 90465-08M23-00  | CLAMP                    | 1        |         |
| 46             | 90461-06M01-00  | CLAMP                    | 1        |         |
| 47             | 6G8-13647-00-00 | GASKET, MANIFOLD 3       | 1        |         |
| 48             | 6G8-11326-00-00 | SEAT                     | 1        |         |
| 49             | 90465-08028-00  | CLAMP                    | 1        |         |

## Part Notes

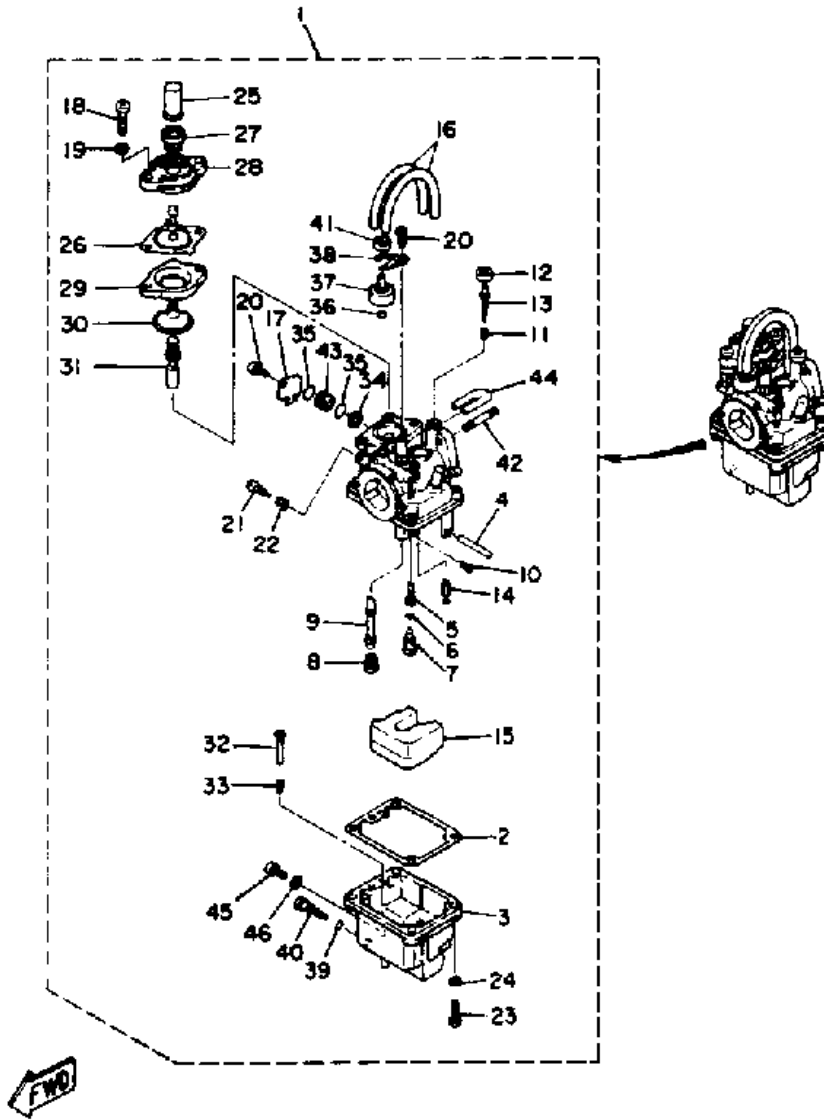
FT9.9EXJ 1986 / INTAKE

| PART NUMBER    |   | NOTE TEXT  |
|----------------|---|--|
| 92990-06600-00 |  | OEM: This part number is among the Top 100 Most Popular Marine Maintenance Parts as of March 2014. |
| 92990-06600-00 |  | OEM: This part number is among the Top 100 Most Popular Marine Maintenance Parts as of March 2014. |
| 92990-06600-00 |  | OEM: This part number is among the Top 100 Most Popular Marine Maintenance Parts as of March 2014. |

©2014 Yamaha Motor Corporation, U.S.A. All rights reserved.



FT9.9EXJ 1986 / CARBURETOR



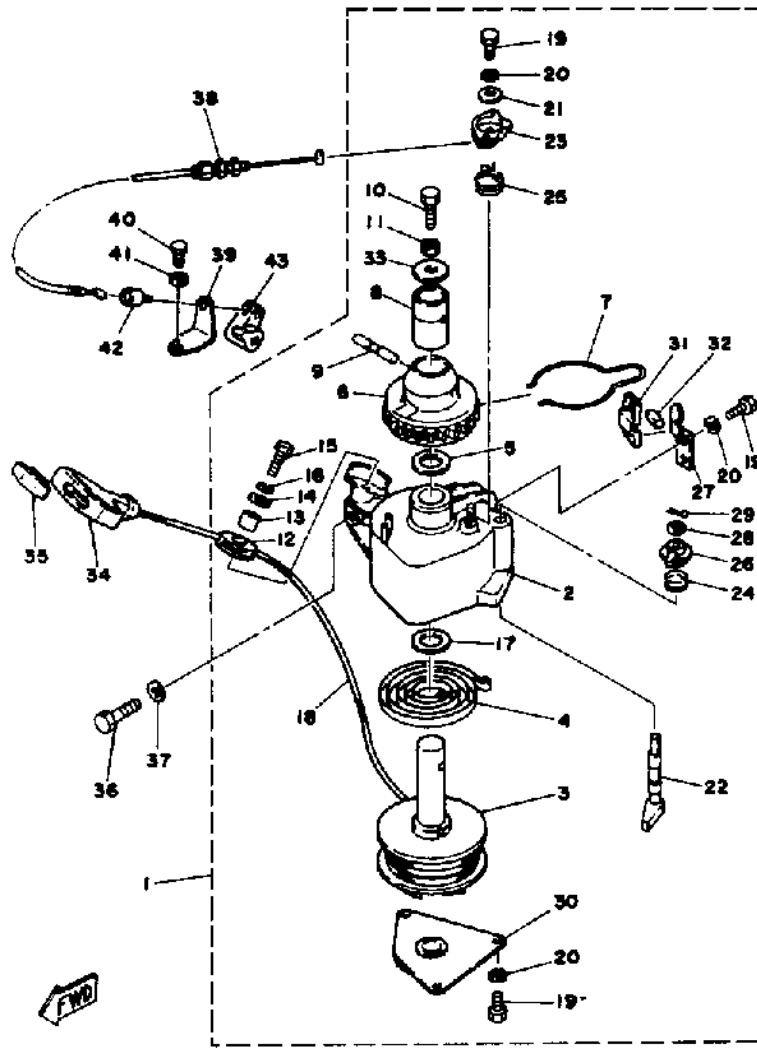
©2014 Yamaha Motor Corporation, U.S.A. All rights reserved.

## Part List

FT9.9EXJ 1986 / CARBURETOR

| REF<br>-<br>NO | PART<br>NUMBER    | PART NAME                      | QUANTITY | REMARKS |
|----------------|-------------------|--------------------------------|----------|---------|
| 1              | 6G8-14301-01-00   | CARBURETOR ASSEMBLY 1          | 1        |         |
| 2              | 6G8-14384-00-00   | GASKET, FLOAT CHAMBER          | 1        |         |
| 3              | 6G8-14381-00-00   | BODY, FLOAT CHAMBER<br>CHAMBER | 1        |         |
| 4              | 647-14386-10-00   | PIN, FLOAT                     | 1        |         |
| 5              | 6G8-14342-21-00   | JET, PILOT                     | 1        |         |
| 6              | 654-14198-00-00   | GASKET                         | 1        |         |
| 7              | 6G8-14345-00-00   | PLUG, MAIN NOZZLE              | 1        |         |
| 8              | 648-14343-47-00   | JET, MAIN (#94)                | 1        |         |
| 9              | 6G8-14341-00-00   | NOZZLE, MAIN                   | 1        |         |
| 10             | 654-14216-00-00   | SCREW                          | 1        |         |
| 11             | 647-14334-00-00   | SPRING                         | 1        |         |
| 12             | 6G8-14997-00-00   | SEAL                           | 1        |         |
| 13             | 6G8-14323-00-00   | SCREW, AIR ADJUSTING           | 1        |         |
| 14             | 6G8-14392-00-00   | VALVE, NEEDLE                  | 1        |         |
| 15             | 6G8-14385-00-00   | FLOAT                          | 1        |         |
| 16             | 6G8-14197-00-00   | PIPE                           | 2        |         |
| 17             | (6G8-14346-00-00) | PLATE                          | 1        |         |
| 18             | 97803-06020-00    | SCREW, PAN HEAD                | 2        |         |
| 19             | 92995-06100-00    | WASHER, SPRING                 | 2        |         |
| 20             | [97-80304-00-70   | UNAVAILABLE IN PRICE<br>BOOK   | 3        |         |
| 21             | 98503-04014-00    | SCREW, PAN HEAD                | 1        |         |
| 22             | 646-14212-01-00   | SPRING, PILOT ADJUSTING        | 1        |         |
| 23             | 98580-04016-00    | SCREW, PAN HEAD                | 4        |         |
| 24             | 92990-04200-00    | WASHER                         | 4        |         |
| 25             | 6G8-14355-00-00   | CAP                            | 1        |         |
| 26             | 6G8-14368-00-00   | DIAPHRAGM ASSEMBLY 1           | 1        |         |
| 27             | 6G8-14373-00-00   | COVER, PLUNGER CAP             | 1        |         |
| 28             | 6G8-14374-00-00   | CAP, PLUNGER                   | 1        |         |
| 29             | 14T-14367-00-00   | STOPPER                        | 1        |         |
| 30             | 33A-14369-00-00   | DIAPHRAGM ASSEMBLY             | 1        |         |
| 31             | 6G8-14371-00-00   | PLUNGER, STARTER               | 1        |         |
| 32             | 6G8-14318-27-00   | PIPE, STARTER                  | 1        |         |
| 33             | 6A4-14344-31-00   | JET, STARTER                   | 1        |         |
| 34             | 6G8-14272-00-00   | VALVE, CHECK SEAT              | 1        |         |
| 35             | 1J2-14397-00-00   | O-RING                         | 2        |         |
| 36             | 5H0-14397-00-00   | O-RING                         | 1        |         |
| 37             | 6G8-14313-00-00   | VALVE AIR                      | 1        |         |
| 38             | 6G8-14377-00-00   | STOPPER                        | 1        |         |
| 39             | 5Y1-14397-00-00   | O-RING                         | 1        |         |
| 40             | 6G8-14383-00-00   | SCREW, DRAIN                   | 1        |         |
| 41             | 44J-14349-00-00   | PIPE                           | 1        |         |
| 42             | 90116-06M26-00    | BOLT, STUD                     | 2        |         |
| 43             | 6G8-14271-00-00   | INSULATOR                      | 1        |         |
| 44             | (14T-14396-00-00) | PIPE                           | 1        |         |
| 45             | 650-14222-01-00   | SCREW, DRAIN                   | 1        |         |
| 46             | 650-14227-01-00   | GASKET                         | 1        |         |

FT9.9EXJ 1986 / MANUAL STARTER



©2014 Yamaha Motor Corporation, U.S.A. All rights reserved.


## Part List

FT9.9EXJ 1986 / MANUAL STARTER

| REF<br>-<br>NO | PART<br>NUMBER  | PART NAME                    | QUANTITY | REMARKS |
|----------------|-----------------|------------------------------|----------|---------|
| 1              | 6G8-15710-10-00 | STARTER ASSY                 | 1        |         |
| 2              | 6G8-15711-00-00 | .CASE, STARTER               | 1        |         |
| 3              | 6G8-15714-00-00 | .DRUM, SHEAVE                | 1        |         |
| 4              | 6G8-15713-00-00 | .SPRING, STARTER             | 1        |         |
| 5              | 6G8-15719-00-00 | .WASHER, THRUST              | 1        |         |
| 6              | 6G8-15723-00-00 | .PULLEY, STARTER             | 1        |         |
| 7              | 6G8-15715-00-00 | .SPRING, FRICTION            | 1        |         |
| 8              | 6G8-15754-00-00 | .BUSH 2                      | 1        |         |
| 9              | 6G8-15727-00-00 | .PIN                         | 1        |         |
| 10             | 6G8-15768-00-00 | .BOLT                        | 1        |         |
| 11             | 95303-08700-00  | NUT                          | 1        |         |
| 12             | 6F5-15752-00-00 | .ROLLER, WIRE                | 1        |         |
| 13             | 6F5-15753-00-00 | .BUSH                        | 1        |         |
| 14             | 6F5-15791-00-00 | .WASHER, LOCK                | 1        |         |
| 15             | 97011-06025-00  | BOLT                         | 1        |         |
| 16             | 92995-06100-00  | WASHER, SPRING               | 1        |         |
| 17             | 6G8-15739-00-00 | .WASHER, THRUST              | 1        |         |
| 18             | 90580-50M01-00  | ROPE, STARTER                | 1        |         |
| 19             | 97313-05012-00  | BOLT, HEXAGON                | 6        |         |
| 20             | 92990-05100-00  | .WASHER, SPRING              | 6        |         |
| 21             | 6G8-15742-00-00 | .WASHER, DRIVE PAWL          | 1        |         |
| 22             | 6G8-15794-00-00 | STOPPER                      | 1        |         |
| 23             | 6G8-15746-00-00 | .ARM                         | 1        |         |
| 24             | 6G8-15767-00-00 | .SPRING                      | 1        |         |
| 25             | 6G8-15734-00-00 | .SPRING, RETURN              | 1        |         |
| 26             | 6G8-15747-00-00 | .LINK                        | 1        |         |
| 27             | 6G8-15716-00-00 | .PLATE, DRIVE                | 1        |         |
| 28             | 92990-06200-00  | WASHER, PLAIN                | 1        |         |
| 29             | 91490-12012-00  | PIN. COTTER                  | 1        |         |
| 30             | 6G8-15712-00-00 | .COVER, STARTER CASE         | 1        |         |
| 31             | 6G8-15779-00-00 | .COVER                       | 1        |         |
| 32             | 6G8-15789-00-00 | .DAMPER                      | 1        |         |
| 33             | 6G8-15742-00-00 | .WASHER, DRIVE PAWL          | 1        |         |
| 34             | 6G1-15755-00-00 | .HANDLE, STARTER             | 1        |         |
| 35             | 689-15779-01-00 | COVER                        | 1        |         |
| 36             | 97313-08030-00  | BOLT                         | 3        |         |
| 37             | 92990-08600-00  | .WASHER, PLATE               | 3        |         |
| 38             | 6G8-15770-00-00 | CABLE COMP., STARTER<br>STOP | 1        |         |
| 39             | 6G8-15771-00-00 | STAY 1                       | 1        |         |
| 40             | 97013-06012-00  | BOLT                         | 1        |         |
| 41             | 92990-06600-00  | WASHER, PLATE                | 1        |         |
| 42             | 6G8-15772-00-00 | STAY 2                       | 1        |         |
| 43             | 6G8-44125-00-00 | LEVER, SHIFT ROD             | 1        |         |

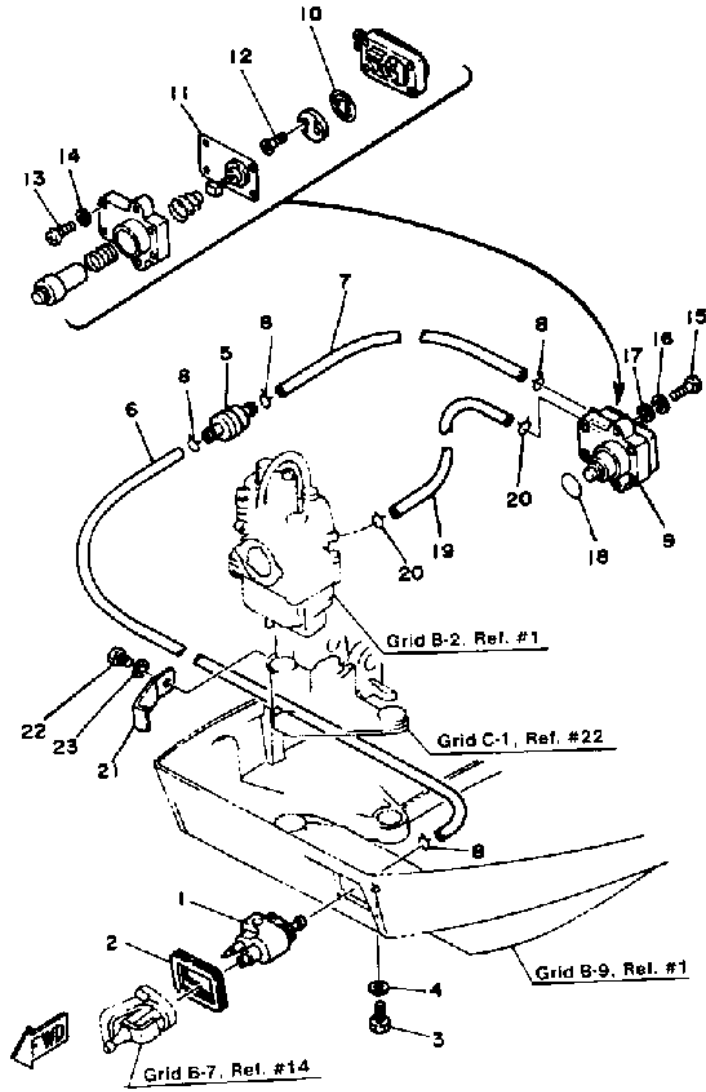
## Part Notes

FT9.9EXJ 1986 / MANUAL STARTER

| PART NUMBER  | NOTE TEXT  |
|--|--|
| 92990-06600-00  | OEM: This part number is among the Top 100 Most Popular Marine Maintenance Parts as of March 2014. |

©2014 Yamaha Motor Corporation, U.S.A. All rights reserved.

FT9.9EXJ 1986 / FUEL SYSTEM



©2014 Yamaha Motor Corporation, U.S.A. All rights reserved.





## Part List

FT9.9EXJ 1986 / FUEL SYSTEM

| REF<br>-<br>NO | PART<br>NUMBER  | PART NAME               | QUANTITY | REMARKS |
|----------------|-----------------|-------------------------|----------|---------|
| 1              | 6G1-24304-02-00 | FUEL PIPE JOINT COMP. 1 | 1        |         |
| 2              | 6G8-24329-00-00 | SEAL                    | 1        |         |
| 3              | 97395-06020-00  | BOLT, HEXAGON           | 1        |         |
| 4              | 92990-06600-00  | WASHER, PLATE           | 1        |         |
| 5              | 646-24251-02-00 | .STRAINER 1             | 1        |         |
| 6              | 6G8-24311-00-00 | PIPE, FUEL 1            | 1        |         |
| 7              | 90445-09065-00  | HOSE (L90)              | 1        |         |
| 8              | 90467-08004-00  | CLIP                    | 4        |         |
| 9              | 6G8-24410-02-00 | FUEL PUMP ASSEMBLY      | 1        |         |
| 10             | 6G8-24421-00-00 | VALVE, CHECK            | 1        |         |
| 11             | 6G8-24411-01-00 | DIAPHRAGM               | 1        |         |
| 12             | 98702-03008-00  | SCREW, FLAT HEAD        | 2        |         |
| 13             | 98503-04014-00  | SCREW, PAN HEAD         | 4        |         |
| 14             | 92990-04200-00  | WASHER                  | 4        |         |
| 15             | 98580-06025-00  | SCREW, PAN HEAD         | 2        |         |
| 16             | 92995-06100-00  | WASHER, SPRING          | 2        |         |
| 17             | 92990-06600-00  | WASHER, PLATE           | 2        |         |
| 18             | 93210-20M65-00  | .O-RING                 | 1        |         |
| 19             | 90445-09M75-00  | HOSE (L370)             | 1        |         |
| 20             | 90467-08004-00  | CLIP                    | 2        |         |
| 21             | 90465-08M26-00  | CLAMP                   | 1        |         |
| 22             | 97313-06010-00  | BOLT, HEXAGON           | 1        |         |
| 23             | 92990-06600-00  | WASHER, PLATE           | 1        |         |

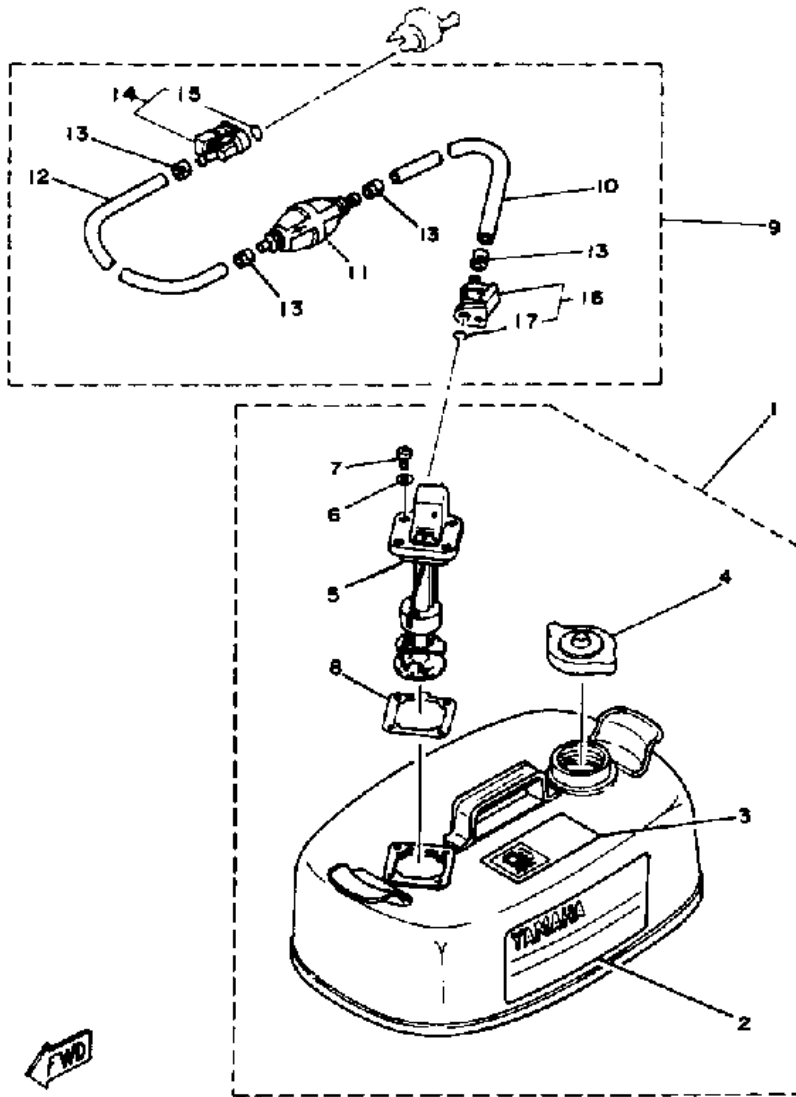
## Part Notes

FT9.9EXJ 1986 / FUEL SYSTEM

| PART NUMBER     |   | NOTE TEXT  |
|-----------------|---|--|
| 92990-06600-00  |  | OEM: This part number is among the Top 100 Most Popular Marine Maintenance Parts as of March 2014. |
| 646-24251-02-00 |  | OEM: This part number is among the Top 100 Most Popular Marine Maintenance Parts as of March 2014. |
| 92990-06600-00  |  | OEM: This part number is among the Top 100 Most Popular Marine Maintenance Parts as of March 2014. |
| 92990-06600-00  |  | OEM: This part number is among the Top 100 Most Popular Marine Maintenance Parts as of March 2014. |

©2014 Yamaha Motor Corporation, U.S.A. All rights reserved.

FT9.9EXJ 1986 / FUEL TANK



©2014 Yamaha Motor Corporation, U.S.A. All rights reserved.

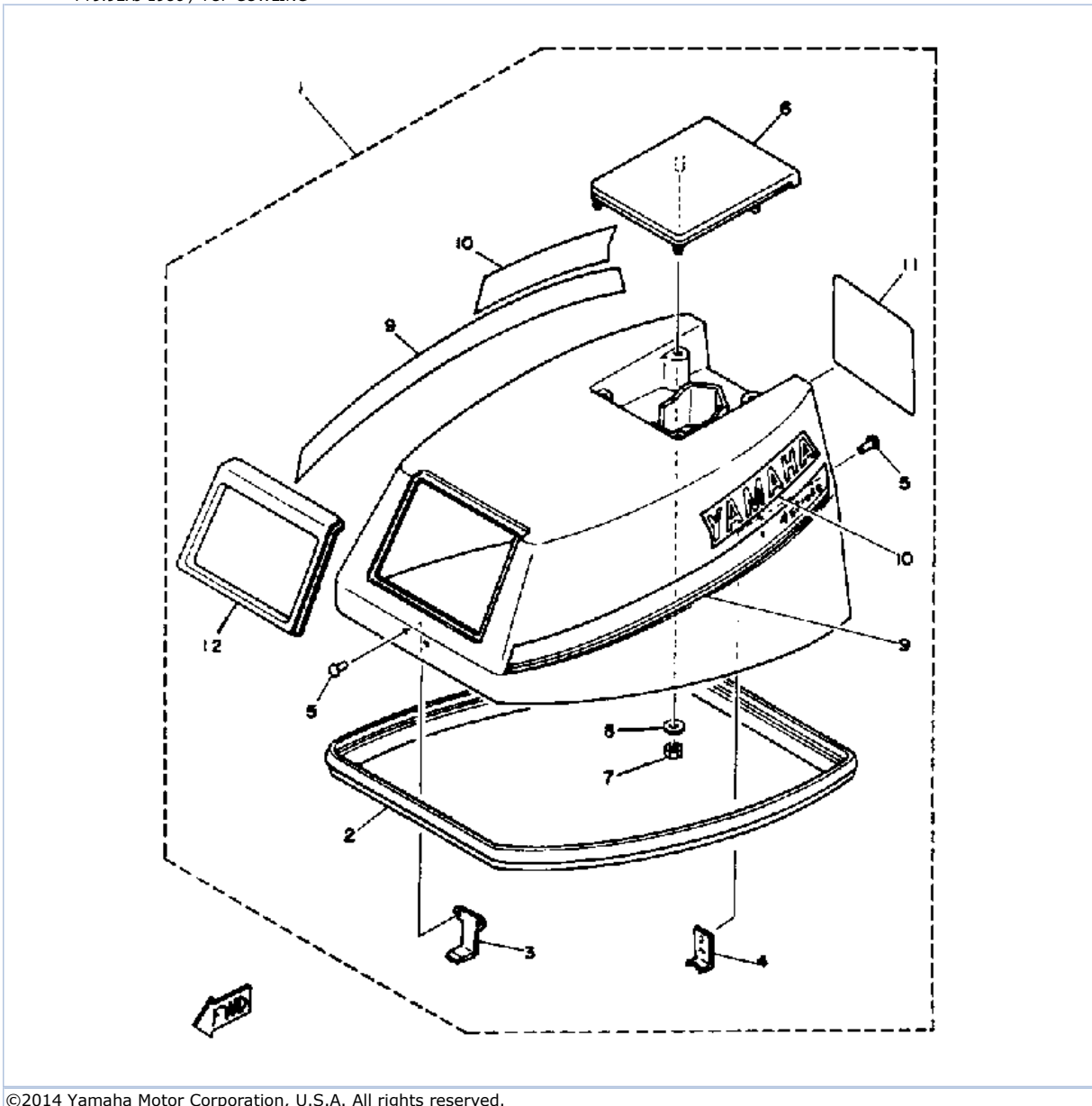
## Part List

FT9.9EXJ 1986 / FUEL TANK

| REF<br>-<br>NO | PART<br>NUMBER  | PART NAME               | QUANTITY | REMARKS |
|----------------|-----------------|-------------------------|----------|---------|
| 1              | 6Y4-W2420-42-24 | FUEL TANK ASSEMBLY      | 1        |         |
| 2              | 6Y4-24244-50-00 | GRAPHIC, FUEL TNK 1     | 1        |         |
| 3              | 6Y1-24256-50-00 | GRAPHIC, FUEL TANK      | 1        |         |
| 4              | 6Y1-24610-00-00 | CAP ASSEMBLY            | 1        |         |
| 5              | 6Y4-24260-01-00 | FUEL METER ASSEMBLY     | 1        |         |
| 6              | 6Y1-24329-00-00 | .SEAL                   | 4        |         |
| 7              | 98586-05016-00  | SCREW, PAN HEAD         | 4        |         |
| 8              | 6Y1-24268-00-00 | .GASKET, FUEL METER     | 1        |         |
| 9              | 6Y1-24306-51-00 | FUEL PIPE COMP. 1       | 1        |         |
| 10             | 90445-11M80-00  | HOSE                    | 1        |         |
| 11             | 6Y1-24360-51-00 | PRIMER PUMP ASSY.       | 1        |         |
| 12             | 90445-11M78-00  | HOSE                    | 1        |         |
| 13             | 650-24351-51-00 | .BAND 1                 | 4        |         |
| 14             | 6G1-24305-01-00 | FUEL PIPE JOINT COMP. 2 | 1        |         |
| 15             | 93210-08287-00  | ..O-RING                | 1        |         |
| 16             | 6Y1-24305-02-00 | FUEL PIPE JOINT COMP. 2 | 1        |         |
| 17             | 93210-08287-00  | ..O-RING                | 1        |         |



FT9.9EXJ 1986 / TOP COWLING



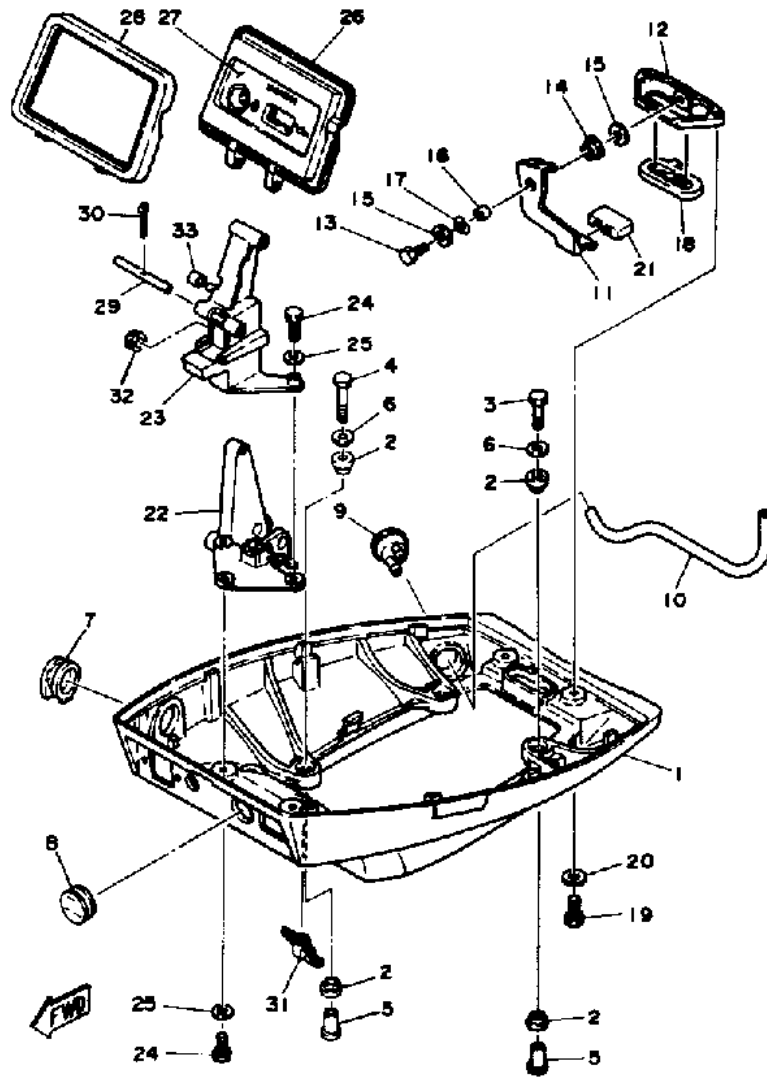
©2014 Yamaha Motor Corporation, U.S.A. All rights reserved.

## Part List

FT9.9EXJ 1986 / TOP COWLING

| REF<br>-<br>NO | PART<br>NUMBER  | PART NAME            | QUANTITY | REMARKS      |
|----------------|-----------------|----------------------|----------|--------------|
| 1              | 6G8-42610-12-EK | TOP COWLING ASSEMBLY | 1        | U.R.         |
| 1              | 6G8-42610-01-EL | TOP COWLING ASSEMBLY | 1        | U.R.         |
| 2              | 6G8-42615-00-00 | SEAL                 | 1        |              |
| 3              | 6G8-42651-00-00 | .HOOK                | 1        |              |
| 4              | 6G8-42652-00-00 | .HOOK                | 1        |              |
| 5              | 90266-04M04-00  | .RIVET               | 4        |              |
| 6              | 6G8-42613-00-EK | MOLDING, AIR DUCT    | 1        | U.R. FOR MMS |
| 6              | 6G8-42613-00-EL | MOULDING, AIR DUCT   | 1        | U.R. FOR HW  |
| 7              | 95680-06100-00  | NUT, U               | 4        |              |
| 8              | 92990-06200-00  | WASHER, PLAIN        | 4        |              |
| 9              | 6G9-W0070-11-00 | GRAPHIC SET          | 1        | U.R. FOR MMS |
| 9              | 6G8-W0070-00-00 | GRAPHIC SIDE SET     | 1        | U.R. FOR HW  |
| 10             | 6G9-42681-10-00 | MARK, COWLING        | 2        | U.R. FOR MMS |
| 10             | 6G8-42681-00-00 | MARK, COWLING 1      | 2        | U.R. FOR HW  |
| 11             | 6G8-42678-00-00 | GRAPHIC, REAR        | 1        | U.R. FOR HW  |
| 11             | 6G9-42678-11-00 | GRAPHIC, REAR        | 1        | U.R. FOR MMS |
| 12             | 6G8-42628-01-00 | SEAL                 | 1        |              |

FT9.9EXJ 1986 / BOTTOM COWLING



©2014 Yamaha Motor Corporation, U.S.A. All rights reserved.



## Part List

FT9.9EXJ 1986 / BOTTOM COWLING

| REF - NO | PART NUMBER     | PART NAME          | QUANTITY | REMARKS      |
|----------|-----------------|--------------------|----------|--------------|
| 1        | 6G8-42711-01-EK | BOTTOM COWLING     | 1        | U.R. FOR MMS |
| 1        | 6G8-42711-01-EL | BOTTOM COWLING     | 1        | U.R. FOR HW  |
| 2        | 90480-09M35-00  | GROMMET            | 8        |              |
| 3        | 97313-06030-00  | BOLT               | 2        |              |
| 4        | 97313-06040-00  | BOLT, HEXAGON      | 2        |              |
| 5        | 90387-06M58-00  | COLLAR             | 4        |              |
| 6        | 90201-06M31-00  | .WASHER, PLATE     | 4        |              |
| 7        | 6G8-42724-00-00 | GROMMET            | 1        |              |
| 8        | 6G8-42725-10-00 | GROMMET            | 1        |              |
| 9        | 6G8-44391-00-00 | NIPPLE, HOSE       | 1        |              |
| 10       | 90445-09096-00  | HOSE               | 1        |              |
| 11       | 6G8-42815-00-00 | LEVER, CLAMP       | 1        |              |
| 12       | 6G8-42811-00-94 | STAY               | 1        |              |
| 13       | 97313-06016-00  | BOLT, HEXAGON      | 1        |              |
| 14       | 90386-08M49-00  | BUSH               | 1        |              |
| 15       | 90201-06M31-00  | .WASHER, PLATE     | 2        |              |
| 16       | 90387-06M72-00  | COLLAR             | 1        |              |
| 17       | 90206-08M13-00  | WASHER, WAVE       | 1        |              |
| 18       | 6G8-42748-00-00 | GROMMET            | 1        |              |
| 19       | 97395-06016-00  | BOLT, HEX          | 2        |              |
| 20       | 92990-06600-00  | WASHER, PLATE      | 2        |              |
| 21       | 6G8-42831-00-00 | BUSHING            | 1        |              |
| 22       | 6G8-42738-00-94 | PLATE, FITTING     | 1        |              |
| 23       | 6G8-42719-00-94 | PANEL, FRONT LOWER | 1        | U.R. FOR MMS |
| 23       | 6G8-42719-00-94 | PANEL, FRONT LOWER | 1        | U.R. FOR HW  |
| 24       | 97395-06016-00  | BOLT, HEX          | 4        |              |
| 25       | 92990-06600-00  | WASHER, PLATE      | 4        |              |
| 26       | 6G8-W4261-00-00 | PANEL, FRONT UPPER | 1        |              |
| 27       | 6G8-42677-00-00 | GRAPHIC, FRONT     | 1        |              |
| 28       | 6G8-42629-01-00 | SEAL               | 1        |              |
| 29       | 6G8-42755-00-00 | HINGE, COWLING     | 1        |              |
| 30       | 91490-16010-00  | PIN. COTTER        | 1        |              |
| 31       | 6G8-42727-00-00 | GROMMET            | 1        |              |
| 32       | 90480-19031-00  | GROMMET            | 1        |              |
| 33       | 90445-05ME6-00  | HOSE (L8)          | 1        |              |

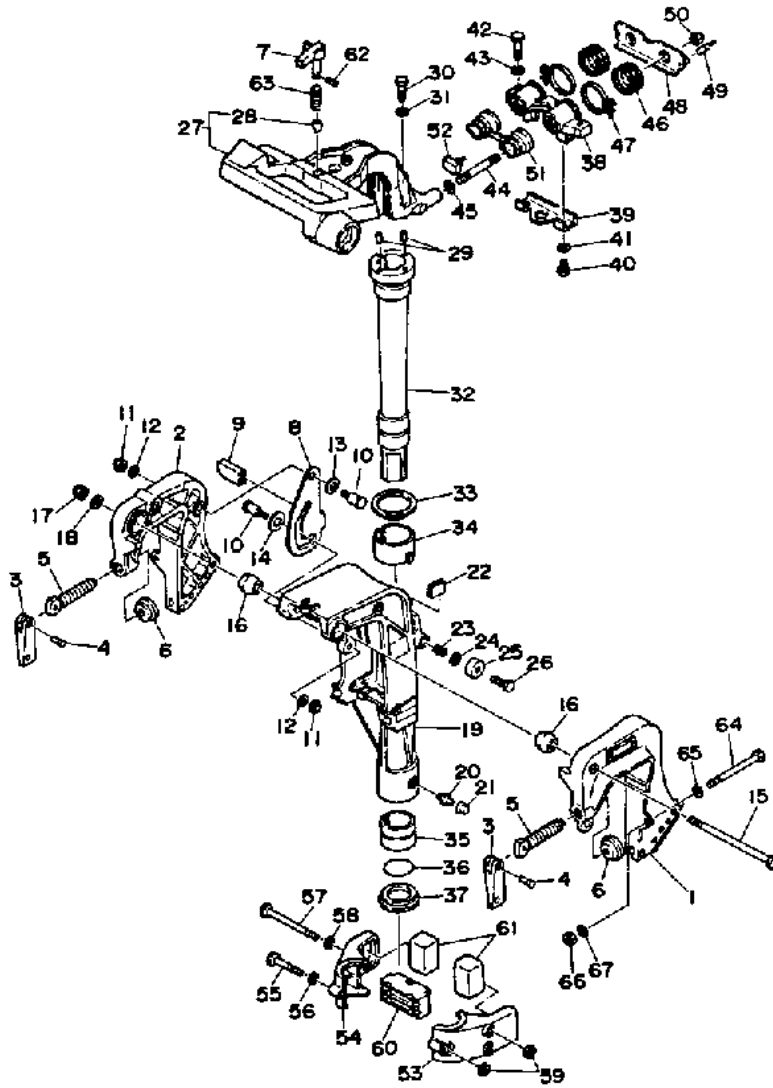
## Part Notes

FT9.9EXJ 1986 / BOTTOM COWLING

| PART NUMBER    |   | NOTE TEXT  |
|----------------|---|--|
| 92990-06600-00 |  | OEM: This part number is among the Top 100 Most Popular Marine Maintenance Parts as of March 2014. |
| 92990-06600-00 |  | OEM: This part number is among the Top 100 Most Popular Marine Maintenance Parts as of March 2014. |

©2014 Yamaha Motor Corporation, U.S.A. All rights reserved.

FT9.9EXJ 1986 / BRACKET 1



©2014 Yamaha Motor Corporation, U.S.A. All rights reserved.

## Part List






FT9.9EXJ 1986 / BRACKET 1

| REF - NO | PART NUMBER     | PART NAME                    | QUANTITY | REMARKS      |
|----------|-----------------|------------------------------|----------|--------------|
| 1        | 6G8-43111-02-EL | BRACKET, CLAMP               | 1        | U.R. FOR HW  |
| 1        | 99999-01795-00  | BRACKET, CLAMP               | 1        | U.R. FOR MMS |
| 2        | 6G8-43112-09-EL | BRACKET, CLAMP 2             | 1        | U.R. FOR HW  |
| 2        | 6G8-43112-09-EK | BRACKET, CLAMP 2             | 1        | U.R. FOR MMS |
| 3        | 616-43118-00-EK | HANDLE, TRANSOM CLIP         | 2        | U.R. FOR MMS |
| 3        | 616-43118-00-EL | HANDLE, TRANSOM CLIP         | 2        | U.R. FOR HW  |
| 4        | 90243-04M00-00  | PIN                          | 2        |              |
| 5        | 90149-14030-00  | SCREW, SPECL SHAPE           | 2        |              |
| 6        | 648-43114-01-00 | PAD, TRANSOM CLAMP           | 2        |              |
| 7        | 6G8-42561-00-00 | KNOB, STEERING LOCK          | 1        |              |
| 8        | 6G8-43181-00-00 | LEVER, TILT STOP             | 1        |              |
| 9        | 682-43318-01-00 | COVER                        | 1        |              |
| 10       | 90109-06M25-00  | BOLT                         | 2        |              |
| 11       | 95680-06100-00  | NUT, U                       | 2        |              |
| 12       | 92990-06600-00  | WASHER, PLATE                | 2        |              |
| 13       | 90206-10M15-00  | WASHER, WAVE                 | 1        |              |
| 14       | 682-43339-01-00 | WASHER                       | 1        |              |
| 15       | 90101-08M83-00  | BOLT                         | 1        |              |
| 16       | 6G8-43136-00-00 | PIECE, FRICTION              | 2        |              |
| 17       | 95780-08300-00  | ..NUT, FLANGE                | 1        |              |
| 18       | 92990-08100-00  | WASHER, SPRING               | 1        |              |
| 19       | 6G8-43311-13-EK | BRACKET, SWIVEL 1            | 1        | U.R. FOR MMS |
| 19       | 6G8-43311-13-EL | BRACKET, SWIVEL 1            | 1        | U.R. FOR HW  |
| 20       | 93700-06M03-00  | NIPPLE, GREASE               | 1        |              |
| 21       | 663-45119-00-00 | CAP, GREASE NIPPLE           | 1        |              |
| 22       | 6G8-42528-00-00 | PLATE, FRICTION              | 1        |              |
| 23       | 90501-18M00-00  | SPRING, COMPRESSION          | 1        |              |
| 25       | 6G8-43373-00-00 | SEAL, DAMPER                 | 1        |              |
| 26       | 97395-06025-00  | BOLT                         | 1        |              |
| 27       | 6G8-42511-02-EK | BRACKET, STEERING            | 1        | U.R. FOR MMS |
| 27       | 6G8-42511-02-EL | BRACKET, STEERING            | 1        | U.R. FOR BW  |
| 28       | 6G8-42534-00-00 | PIN, DOWEL                   | 1        |              |
| 29       | 93605-15065-00  | PIN, DOWEL                   | 2        |              |
| 30       | 97395-06030-00  | BOLT                         | 2        |              |
| 31       | 92990-06600-00  | WASHER, PLATE                | 2        |              |
| 32       | 6G8-42521-10-94 | SHAFT, STEERING PIVOT        | 1        |              |
| 33       | 90209-45M09-00  | WASHER                       | 1        |              |
| 34       | 6G8-42537-00-00 | BUSHING, PIVOT SHAFT         | 1        |              |
| 35       | 90386-37M47-00  | BUSH                         | 1        |              |
| 36       | 93210-37M67-00  | O-RING                       | 1        |              |
| 37       | 90386-37M48-00  | BUSH                         | 1        |              |
| 38       | 6G8-44517-00-94 | MOUNT RUBBER                 | 1        |              |
| 39       | 6G8-44526-00-00 | PLATE                        | 1        |              |
| 40       | 97395-06012-00  | BOLT                         | 2        |              |
| 41       | 92990-06600-00  | WASHER, PLATE                | 2        |              |
| 42       | 97395-08030-00  | BOLT                         | 2        |              |
| 43       | 92990-08600-00  | ..WASHER, PLATE              | 2        |              |
| 44       | 90116-08M28-00  | BOLT, STUD                   | 2        |              |
| 45       | 90201-08M12-00  | ..WASHER, PLATE              | 2        |              |
| 46       | 6G8-44522-00-00 | SEAL                         | 2        |              |
| 47       | 90460-38M06-00  | CLAMP, HOSE                  | 2        |              |
| 48       | 6G8-44518-00-00 | BRACKET COMP.                | 1        |              |
| 50       | 95780-08300-00  | ..NUT, FLANGE                | 2        |              |
| 51       | 6G8-44521-00-00 | SEAL                         | 1        |              |
| 52       | 6G8-44532-00-00 | STOPPER, UPPER MOUNT         | 1        |              |
| 53       | 6G8-44551-01-EK | HOUSING, LOWER MOUNT RUBBER  | 1        | U.R. FOR MMS |
| 53       | 6G8-44551-01-EL | HOUSING, LOWER, MOUNT RUBBER | 1        | U.R. FOR HW  |
| 54       | 6G8-44552-01-EK | HOUSING, LOWER MOUNT         | 1        | U.R. FOR MMS |
| 54       | 6G8-44552-02-EL | HOUSING, LOWER MOUNT         | 1        | U.R. FOR HW  |

|    |                 |                           |   |  |
|----|-----------------|---------------------------|---|--|
|    |                 | RUBBER                    |   |  |
| 55 | 97395-06045-00  | BOLT, HEXAGON             | 1 |  |
| 56 | 92990-06600-00  | WASHER, PLATE             | 1 |  |
| 57 | 97395-06095-00  | BOLT                      | 2 |  |
| 58 | 92990-06600-00  | WASHER, PLATE             | 2 |  |
| 59 | 95380-06700-00  | NUT                       | 3 |  |
| 60 | 6G8-44557-00-00 | MOUNT DAMPER, LOWER FRONT | 1 |  |
| 61 | 682-44555-00-00 | MOUNT DAMPER, LOWER SIDE  | 2 |  |
| 62 | 91690-30012-00  | .PIN, SPRING              | 1 |  |
| 63 | 90501-10071-00  | ..SPRING, COMPRESSION     | 1 |  |
| 64 | 90101-08M88-00  | BOLT                      | 2 |  |
| 65 | 92990-08600-00  | ..WASHER, PLATE           | 2 |  |
| 66 | 95780-08300-00  | ..NUT, FLANGE             | 2 |  |
| 67 | 90201-08MA4-00  | WASHER, PLATE             | 2 |  |

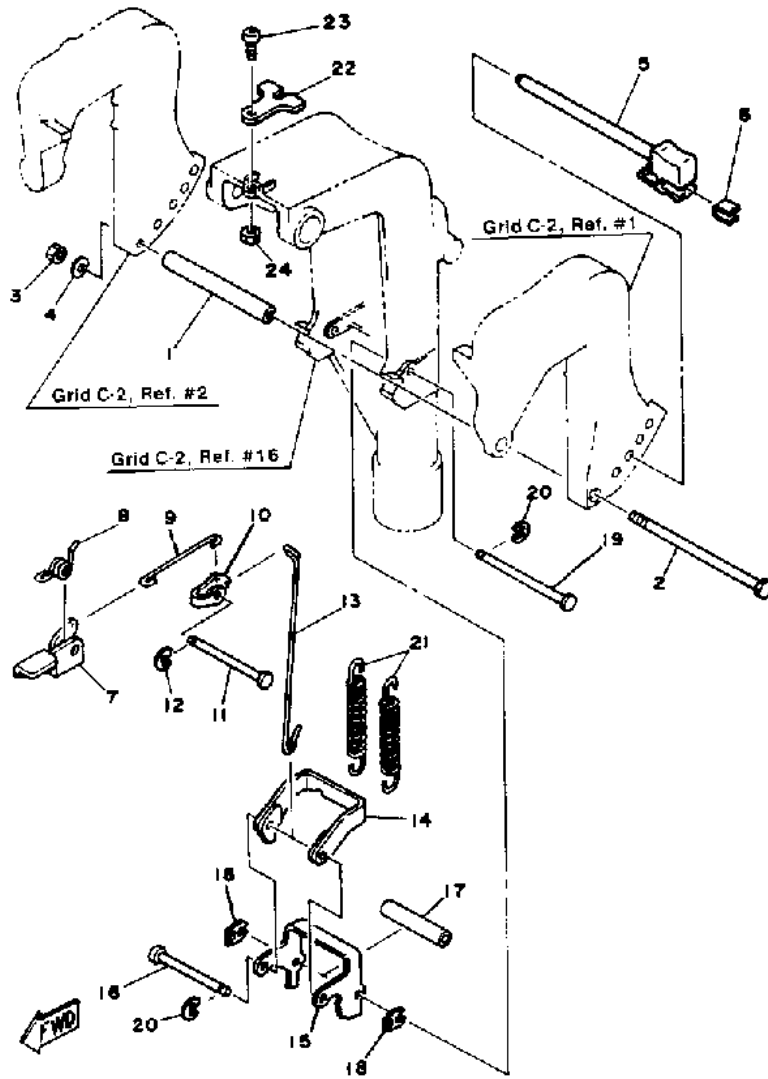
Part Notes

FT9.9EXJ 1986 / BRACKET 1

| PART NUMBER    |   | NOTE TEXT  |
|----------------|---|--|
| 92990-06600-00 |  | OEM: This part number is among the Top 100 Most Popular Marine Maintenance Parts as of March 2014. |
| 92990-06600-00 |  | OEM: This part number is among the Top 100 Most Popular Marine Maintenance Parts as of March 2014. |
| 92990-06600-00 |  | OEM: This part number is among the Top 100 Most Popular Marine Maintenance Parts as of March 2014. |
| 92990-06600-00 |  | OEM: This part number is among the Top 100 Most Popular Marine Maintenance Parts as of March 2014. |
| 92990-06600-00 |  | OEM: This part number is among the Top 100 Most Popular Marine Maintenance Parts as of March 2014. |

©2014 Yamaha Motor Corporation, U.S.A. All rights reserved.

FT9.9EXJ 1986 / BRACKET 2



©2014 Yamaha Motor Corporation, U.S.A. All rights reserved.




Part List

FT9.9EXJ 1986 / BRACKET 2

| REF - NO | PART NUMBER     | PART NAME           | QUANTITY | REMARKS |
|----------|-----------------|---------------------|----------|---------|
| 1        | 90387-06M09-00  | COLLAR              | 1        |         |
| 2        | 97395-06135-00  | BOLT, HEXAGON       | 1        |         |
| 3        | 95380-06700-00  | NUT                 | 1        |         |
| 4        | 92990-06600-00  | WASHER, PLATE       | 1        |         |
| 5        | 6G8-43160-01-00 | TILT ROD ASSY       | 1        |         |
| 6        | 6G8-43162-00-00 | SPRING, TILT LOC LV | 1        |         |
| 7        | 6G8-43631-00-00 | LEVER, TILT 1       | 1        |         |
| 8        | 90508-12M18-00  | SPRING, TORSION     | 1        |         |
| 9        | 682-43616-00-00 | ROD, TILT LOCK      | 1        |         |
| 10       | 682-43641-00-00 | LEVER, TILT         | 1        |         |
| 11       | 90249-06M20-00  | PIN                 | 1        |         |
| 12       | 93430-05027-00  | CIRCLIP             | 1        |         |
| 13       | 6G8-43617-00-00 | ROD, TILT LOCK      | 1        |         |
| 14       | 682-43614-00-00 | PLATE, TILT LOCK    | 1        |         |
| 15       | 682-43615-01-00 | PLATE, TILT LOCK    | 1        |         |
| 16       | 682-43611-01-00 | SHAFT, TILT LOCK    | 1        |         |
| 17       | 90387-06M20-00  | COLLAR              | 1        |         |
| 18       | 682-43673-00-00 | WASHER 1            | 2        |         |
| 19       | 682-43659-00-00 | SHAFT, REVERSE LOCK | 1        |         |
| 20       | 93430-05027-00  | CIRCLIP             | 2        |         |
| 21       | 90506-29M16-00  | SPRING, TENSION     | 2        |         |
| 22       | 6G8-43319-00-00 | PLATE               | 1        |         |
| 23       | 98580-06020-00  | SCREW, PAN HEAD     | 1        |         |
| 24       | 95780-06300-00  | NUT, FLANGE         | 1        |         |

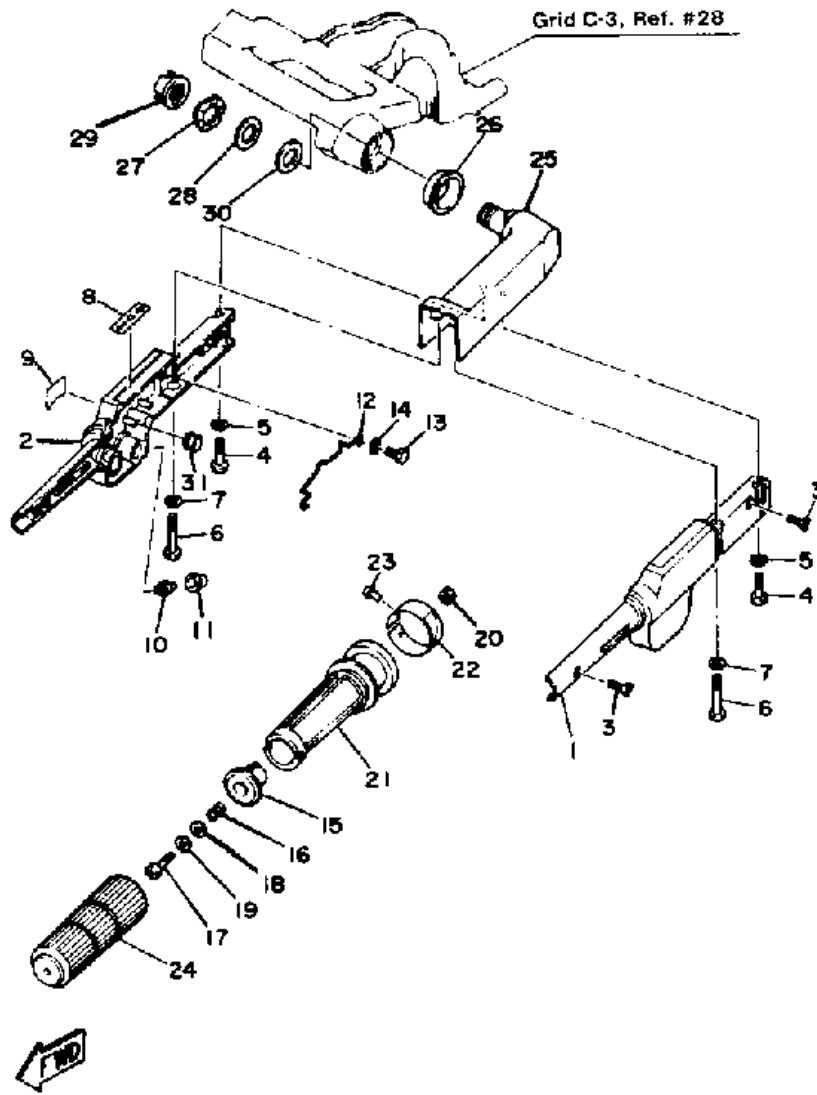
Part Notes

FT9.9EXJ 1986 / BRACKET 2

| PART NUMBER  | NOTE TEXT  |
|--|--|
| 92990-06600-00  | OEM: This part number is among the Top 100 Most Popular Marine Maintenance Parts as of March 2014. |

©2014 Yamaha Motor Corporation, U.S.A. All rights reserved.

FT9.9EXJ 1986 / STEERING



©2014 Yamaha Motor Corporation, U.S.A. All rights reserved.



## Part List

FT9.9EXJ 1986 / STEERING

| REF - NO | PART NUMBER     | PART NAME                      | QUANTITY | REMARKS      |
|----------|-----------------|--------------------------------|----------|--------------|
| 1        | 6G8-42111-01-EK | HANDLE, STEERING               | 1        | U.R. FOR MMS |
| 1        | 6G8-42111-01-EL | HANDLE, STEERING               | 1        | U.R. FOR HW  |
| 2        | 6G8-42112-02-EL | STEERING HANDLE 2              | 1        | U.R. FOR HW  |
| 2        | 6G8-42112-02-EK | STEERING HANDLE 2              | 1        | U.R. FOR MMS |
| 3        | 98780-05016-00  | .SCREW, FLAT HEAD              | 2        |              |
| 4        | 97395-06025-00  | BOLT                           | 2        |              |
| 5        | 92990-06600-00  | WASHER, PLATE                  | 2        |              |
| 6        | 97395-06040-00  | BOLT                           | 2        |              |
| 7        | 92990-06600-00  | WASHER, PLATE                  | 2        |              |
| 8        | 6G8-44191-00-00 | INDICATOR, SHIFT               | 1        |              |
| 9        | 6G8-82561-00-00 | GRAPHIC, ENG                   | 1        |              |
| 10       | 93700-06M03-00  | NIPPLE, GREASE                 | 1        |              |
| 11       | 663-45119-00-00 | CAP, GREASE NIPPLE             | 1        |              |
| 12       | 6G8-42147-00-00 | SPRING                         | 1        |              |
| 13       | 97395-05012-00  | .BOLT                          | 2        |              |
| 14       | 92990-05600-00  | WASHER, PLATE                  | 2        |              |
| 15       | 6G8-42126-01-94 | FRICTION, STEERING HANDLE GRIP | 1        |              |
| 16       | 90501-23M42-00  | SPRING, COMPRESSION            | 1        |              |
| 17       | 98580-06030-00  | .SCREW, PAN HEAD               | 1        |              |
| 18       | 90201-06049-00  | WASHER, PLATE                  | 1        |              |
| 19       | 90202-06007-00  | WASHER, PLATE                  | 1        |              |
| 20       | 95380-06700-00  | NUT                            | 1        |              |
| 21       | 6G8-42119-00-00 | GRIP, STEERING HANDLE          | 1        |              |
| 22       | 6G8-42137-01-00 | INDICATOR, THROTTLE            | 1        |              |
| 23       | 90269-02M09-00  | RIVET                          | 1        |              |
| 24       | 6G8-42177-00-00 | RUBBER, HANDLE                 | 1        |              |
| 25       | 6G8-42113-01-EK | HANDLE, STEERING 3             | 1        | U.R. FOR MMS |
| 25       | 6G8-42113-01-EL | HANDLE, STEERING 3             | 1        | U.R. FOR HW  |
| 26       | 90386-33M56-00  | BUSH                           | 1        |              |
| 27       | 90206-20M14-00  | WASHER, WAVE                   | 1        |              |
| 28       | 90201-201L9-00  | WASHER, PLAIN                  | 1        |              |
| 29       | 90179-20M09-00  | NUT, SPEC'L SHAPE              | 1        |              |
| 30       | 90202-20M33-00  | WASHER, PLATE                  | 1        |              |
| 31       | 6H4-42725-00-00 | GROMMET                        | 1        |              |

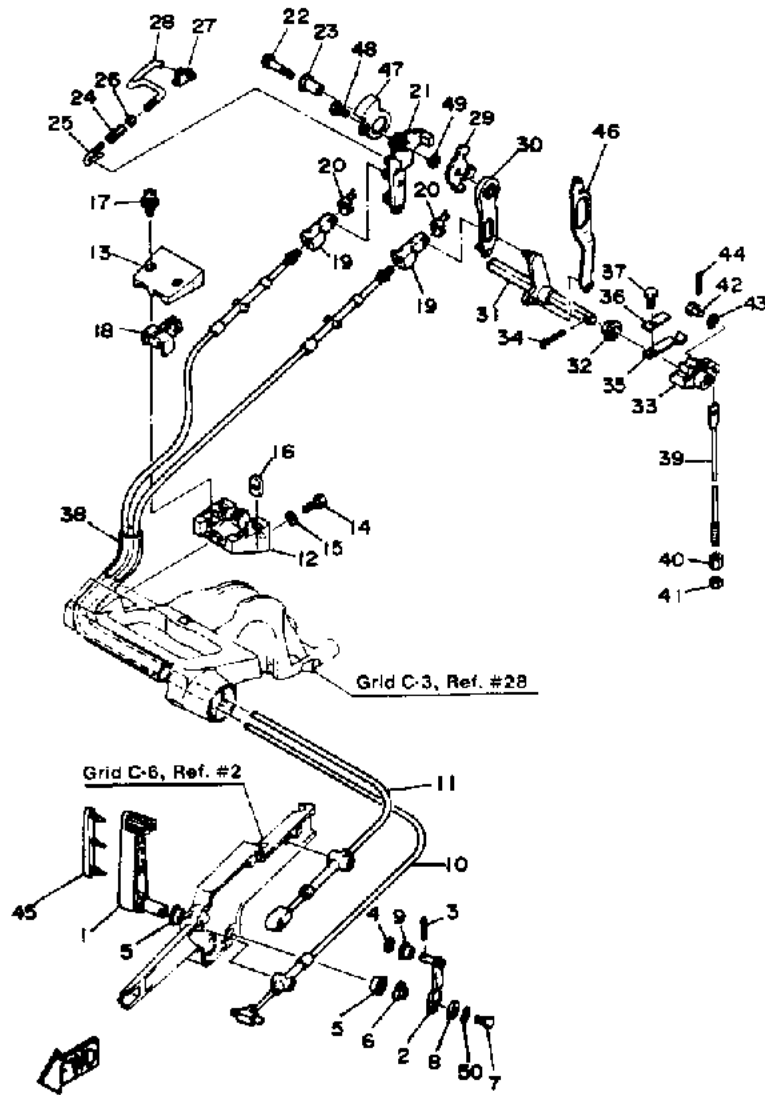
## Part Notes

FT9.9EXJ 1986 / STEERING

| PART NUMBER  | NOTE TEXT  |
|--|--|
| 92990-06600-00  | OEM: This part number is among the Top 100 Most Popular Marine Maintenance Parts as of March 2014. |
| 92990-06600-00  | OEM: This part number is among the Top 100 Most Popular Marine Maintenance Parts as of March 2014. |

©2014 Yamaha Motor Corporation, U.S.A. All rights reserved.

FT9.9EXJ 1986 / CONTROL



©2014 Yamaha Motor Corporation, U.S.A. All rights reserved.



Part List

FT9.9EXJ 1986 / CONTROL

| REF - NO | PART NUMBER     | PART NAME          | QUANTITY | REMARKS                       |
|----------|-----------------|--------------------|----------|-------------------------------|
| 1        | 6G8-44121-00-98 | LEVER, SHIFT ROD   | 1        |                               |
| 2        | 6G8-44123-00-00 | ARM, SHIFT ROD     | 1        |                               |
| 3        | 91490-16010-00  | PIN. COTTER        | 1        |                               |
| 4        | 92990-05200-00  | .WASHER, PLAIN     | 1        |                               |
| 5        | 90386-12069-00  | BUSH               | 2        |                               |
| 6        | 90206-12052-00  | WASHER, WAVE       | 1        |                               |
| 7        | 97313-06016-00  | BOLT, HEXAGON      | 1        |                               |
| 8        | 90201-06M94-00  | WASHER, PLATE      | 1        |                               |
| 9        | 90386-05M54-00  | BUSH               | 1        |                               |
| 10       | 6G8-48311-09-00 | CABLE              | 1        |                               |
| 10       | 6G8-48311-11-00 | CABLE              | 1        | A.P. FOR HANDY REMOTE CONTROL |
| 11       | 6G8-48321-09-00 | CABLE              | 1        |                               |
| 11       | 6G8-48321-10-00 | CABLE              | 1        | A.P. FOR HANDY REMOTE CONTROL |
| 12       | 6G8-41661-00-98 | BRACKET            | 1        |                               |
| 13       | 6G8-41662-00-98 | BRACKET            | 1        |                               |
| 14       | 97395-06016-00  | BOLT, HEX          | 2        |                               |
| 15       | 92990-06600-00  | WASHER, PLATE      | 2        |                               |
| 16       | 6G8-41654-00-00 | NUT                | 2        |                               |
| 17       | 90159-05M06-00  | SCREW, WITH WASHER | 2        |                               |
| 18       | 6G8-41663-00-00 | BRACKET 3          | 1        |                               |
| 19       | 6G8-26363-00-00 | .END, WIRE 1       | 2        |                               |
| 20       | 6G8-26364-00-00 | .END, CABLE        | 2        |                               |
| 21       | 6G8-41212-00-00 | ARM, ACCEL.        | 1        |                               |
| 22       | 97313-06030-00  | BOLT               | 1        |                               |
| 23       | 90387-06M58-00  | COLLAR             | 1        |                               |
| 24       | 6G8-41238-01-00 | JOINT, LINK        | 1        |                               |
| 26       | 95303-04600-00  | .NUT               | 1        |                               |
| 27       | 6G8-41237-01-00 | JOINT, LINK        | 1        |                               |
| 28       | 6G8-41242-01-00 | ROD 2              | 1        |                               |
| 29       | 6G8-14493-00-00 | STAY 1             | 1        |                               |
| 30       | 6G8-44111-00-00 | HANDLE, GEAR SHIFT | 1        |                               |
| 31       | 6G8-44159-00-00 | HANDLE, GEAR SHIFT | 1        |                               |
| 32       | 682-44132-00-00 | BUSHING            | 1        |                               |
| 33       | 6G8-44141-00-00 | LINK, SHIFT ROD    | 1        |                               |
| 34       | 91490-25020-00  | PIN. COTTER        | 1        |                               |
| 35       | 682-44116-00-00 | SPRING             | 1        |                               |
| 36       | 682-44117-00-00 | BRACKET            | 1        |                               |
| 37       | 97013-06012-00  | BOLT               | 1        |                               |
| 38       | 90445-20ME4-00  | HOSE               | 1        |                               |
| 38       | 90445-20ME5-00  | HOSE               | 1        | A.P. FOR HANDY REMOTE CONTROL |
| 39       | 6G8-44143-10-00 | ROD, SHIFT         | 1        |                               |
| 40       | 90170-06015-00  | NUT                | 1        |                               |
| 41       | 95380-06700-00  | NUT                | 1        |                               |
| 42       | 91790-05020-00  | PIN, CLEVIS        | 1        |                               |
| 43       | 92990-05600-00  | WASHER, PLATE      | 1        |                               |
| 44       | 91490-16010-00  | PIN. COTTER        | 1        |                               |
| 45       | 6G8-42129-00-00 | BUSHING, RUBBER    | 1        |                               |
| 46       | 6G8-44124-10-00 | LINK, SHIFT ROD    | 1        |                               |
| 47       | 6G8-41212-10-00 | ARM, ACCEL.        | 1        |                               |
| 48       | 97013-06012-00  | BOLT               | 1        |                               |
| 49       | 95380-06600-00  | NUT, HEXAGON       | 1        |                               |
| 50       | 92990-06600-00  | WASHER, PLATE      | 1        |                               |

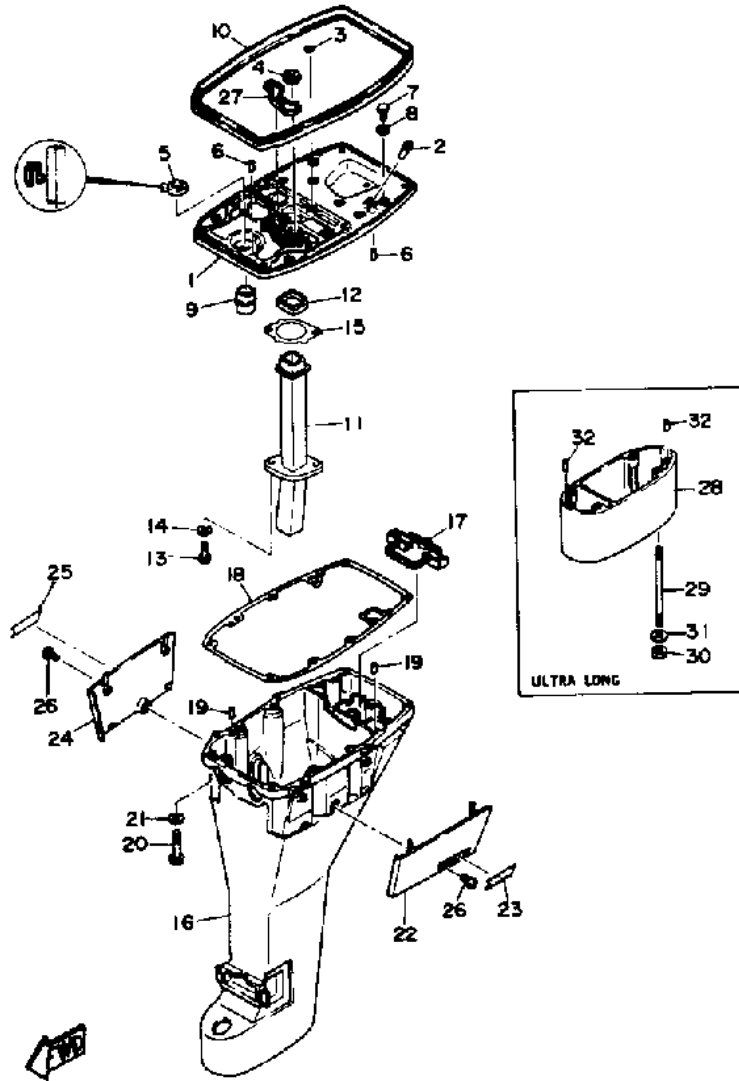
Part Notes

FT9.9EXJ 1986 / CONTROL

| PART NUMBER  | NOTE TEXT  |
|--|--|
| 92990-06600-00  | OEM: This part number is among the Top 100 Most Popular Marine Maintenance Parts as of March 2014. |
| 92990-06600-00  | OEM: This part number is among the Top 100 Most Popular Marine Maintenance Parts as of March 2014. |

©2014 Yamaha Motor Corporation, U.S.A. All rights reserved.

FT9.9EXJ 1986 / UPPER CASING



©2014 Yamaha Motor Corporation, U.S.A. All rights reserved.



Part List

FT9.9EXJ 1986 / UPPER CASING

| REF - NO | PART NUMBER     | PART NAME                  | QUANTITY | REMARKS      |
|----------|-----------------|----------------------------|----------|--------------|
| 1        | 99999-02115-00  | EXHAUST GUIDE              | 1        |              |
| 2        | 6E5-24377-00-00 | PIPE, JOINT 2              | 1        |              |
| 3        | 93210-08M60-00  | O-RING                     | 1        |              |
| 4        | 6G8-44367-00-00 | DAMPER, WATER SEAL         | 1        |              |
| 5        | 93101-13M27-00  | O-RING                     | 1        |              |
| 6        | 93606-12019-00  | .PIN, DOWEL                | 2        |              |
| 7        | 97313-06020-00  | BOLT, HEXAGON              | 2        |              |
| 8        | 92990-06600-00  | WASHER, PLATE              | 2        |              |
| 9        | 6G8-45135-00-00 | PIPE                       | 1        |              |
| 10       | 6G8-42716-00-00 | RUBBER, SEAL 1             | 1        |              |
| 11       | 6G8-41131-01-00 | MANIFOLD, EXT. 1           | 1        |              |
| 12       | 6G8-41138-00-00 | SEAL, EXT. 1               | 1        |              |
| 13       | 97395-06016-00  | BOLT, HEX                  | 2        |              |
| 14       | 92990-06600-00  | WASHER, PLATE              | 2        |              |
| 15       | 6G8-41133-A0-00 | GASKET, EXHAUST MANIFOLD 1 | 1        |              |
| 16       | 6G8-45111-12-EL | CASING, UPPER (WH)         | 1        | U.R. FOR HW  |
| 16       | 6G8-45111-12-EK | CASING, UPPER              | 1        | U.R. FOR MMS |
| 17       | 6G8-45151-00-00 | COVER, UPPER CASING        | 1        |              |
| 18       | 6G8-45113-A0-00 | GASKET, UPPER CASING       | 1        |              |
| 19       | 93606-12019-00  | .PIN, DOWEL                | 2        |              |
| 20       | 97395-08040-00  | BOLT                       | 6        |              |
| 21       | 92990-08600-00  | ..WASHER, PLATE            | 6        |              |
| 22       | 6G8-42741-00-EK | APRON 1                    | 1        | U.R. FOR MMS |
| 22       | 6G8-42741-00-EL | APRON 1                    | 1        | U.R. FOR HW  |
| 23       | 6G8-42791-00-00 | MARK 1                     | 1        |              |
| 24       | 6G8-42771-00-EL | APRON 2                    | 1        | U.R. FOR HW  |
| 24       | 6G8-42771-00-EK | APRON 2                    | 1        | U.R. FOR MMS |
| 25       | 6G8-42792-00-00 | MARK                       | 1        |              |
| 26       | 90157-06M04-00  | SCREW, PAN HEAD            | 2        |              |
| 27       | 6G8-11355-00-00 | SEAL, CYLINDER 1           | 1        |              |
| 28       | 6G8-45211-20-EL | EXTENSION                  | 1        | ULTRA LONG   |
| 29       | 90116-08M19-00  | BOLT, STUD                 | 4        | ULTRA LONG   |
| 30       | 95380-08600-00  | NUT                        | 4        | ULTRA LONG   |
| 31       | 92990-08600-00  | ..WASHER, PLATE            | 4        | ULTRA LONG   |
| 32       | 93606-12019-00  | .PIN, DOWEL                | 2        | ULTRA LONG   |

Part Notes

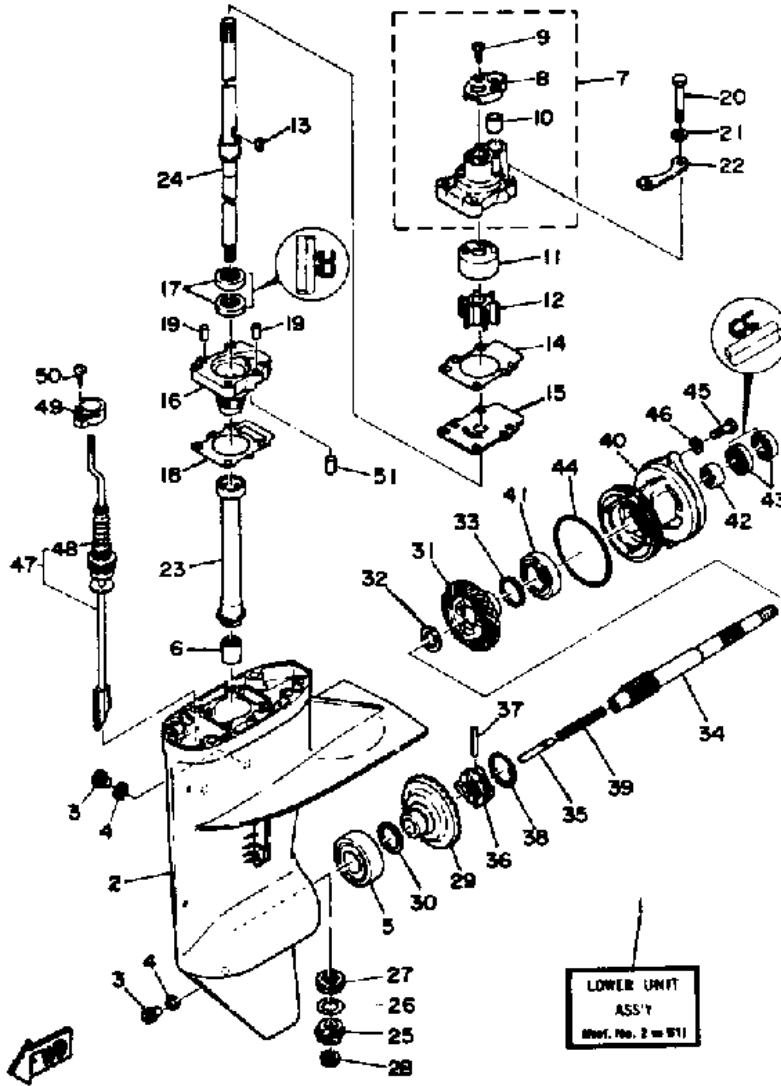
FT9.9EXJ 1986 / UPPER CASING

| PART NUMBER  | NOTE TEXT  |
|--|--|
| 92990-06600-00  | OEM: This part number is among the Top 100 Most Popular Marine Maintenance Parts as of March 2014. |
| 92990-06600-00  | OEM: This part number is among the Top 100 Most Popular Marine Maintenance Parts as of March 2014. |

©2014 Yamaha Motor Corporation, U.S.A. All rights reserved.



FT9.9EXJ 1986 / LOWER DRIVE 1



©2014 Yamaha Motor Corporation, U.S.A. All rights reserved.

## Part List




FT9.9EXJ 1986 / LOWER DRIVE 1

| REF - NO | PART NUMBER     | PART NAME                               | QUANTITY | REMARKS                |
|----------|-----------------|---|----------|------------------------|
| 1        | 6G8-45300-13-KT | 6G8-13 LWR UNIT KT                      | 1        | U.R. LONG FOR MMS      |
| 1        | 6G8-45300-23-KT | 6G8-23 LWR UNIT KT                      | 1        | U.R. ULTRA LONG FOR HW |
| 2        | 6G8-45311-02-EK | CASING, LOWER                           | 1        | U.R. FOR MMS           |
| 2        | 6G8-45311-02-EL | CASING, LOWER                           | 1        | U.R. FOR HW            |
| 3        | 90340-08M04-00  | PLUG, STRAIGHT SCREW                    | 3        |                        |
| 4        | 90430-08020-00  | .GASKET                                 | 3        |                        |
| 5        | 93332-00005-00  | BEARING                                 | 1        |                        |
| 6        | 93315-213V4-00  | BEARING                                 | 1        |                        |
| 7        | 682-44300-01-00 | HOUSING, WATER PUMP                     | 1        |                        |
| 8        | 682-44312-00-00 | COVER, WATER PUMP HOUSING               | 1        |                        |
| 9        | 97780-40112-00  | SCREW, TAPPING                          | 2        |                        |
| 10       | 682-44365-00-00 | DAMPER, WATER SEAL                      | 1        |                        |
| 11       | 682-44322-00-00 | INSERT, CARTRIDGE                       | 1        |                        |
| 12       | 682-44352-01-00 | IMPELLER                                | 1        |                        |
| 13       | 90280-03024-00  | .KEY, WOODRUFF                          | 1        |                        |
| 14       | 682-44315-A0-00 | GASKET, WATER PUMP                      | 2        |                        |
| 15       | 682-44323-00-00 | OUTER PLATE, CARTRIDGE                  | 1        |                        |
| 16       | 6G8-45331-00-5B | HOUSING, BEARING                        | 1        |                        |
| 17       | 93101-20048-00  | .OIL SEAL                               | 2        |                        |
| 18       | 6G8-45315-A0-00 | PACKING, LOWER CASING                   | 1        |                        |
| 19       | 93606-12019-00  | .PIN, DOWEL                             | 2        |                        |
| 20       | 97395-06045-00  | BOLT, HEXAGON                           | 4        |                        |
| 21       | 92990-06600-00  | WASHER, PLATE                           | 4        |                        |
| 22       | 682-44328-00-00 | PLATE                                   | 2        |                        |
| 23       | 6G8-45536-00-00 | SLEEVE, DRIVE SHAFT                     | 1        |                        |
| 24       | 6G8-45501-10-00 | DRIVE SHAFT COMP.                       | 1        | U.R. LONG              |
| 24       | 6G8-45501-20-00 | DRIVE SHAFT COMP.                       | 1        | U.R. ULTRA LONG        |
| 25       | 6G8-45551-00-00 | PINION (13T)                            | 1        |                        |
| 26       | 6G8-45587-00-50 | SHIM (T:0.50MM)                         | 1        | U.R.                   |
| 26       | 6G8-45587-00-35 | SHIM (T:0.35MM)                         | 1        | U.R.                   |
| 26       | 6G8-45587-00-18 | SHIM (T:0.18MM)                         | 1        | U.R.                   |
| 26       | 6G8-45587-00-10 | SHIM (T:0.10MM)                         | 1        | U.R.                   |
| 26       | 6G8-45587-00-14 | SHIM (T:0.14MM)                         | 1        | U.R.                   |
| 27       | 93341-313U3-00  | BEARING                                 | 1        |                        |
| 28       | 90179-08M06-00  | NUT                                     | 1        |                        |
| 29       | 6G8-45560-00-00 | GEAR                                    | 1        |                        |
| 30       | 626-45577-00-05 | SHIM (T:0.50MM)                         | 1        | U.R.                   |
| 30       | 626-45577-00-01 | SHIM (T:0.10MM)                         | 1        | U.R.                   |
| 30       | 626-45577-00-03 | SHIM (T:0.30MM)                         | 1        | U.R.                   |
| 31       | 6G8-45571-00-00 | GEAR 2 (38T)                            | 1        |                        |
| 32       | 90201-17682-00  | WASHER, PLATE                           | 1        |                        |
| 33       | 626-45577-00-01 | SHIM (T:0.10MM)                         | 1        | U.R.                   |
| 33       | 626-45577-00-03 | SHIM (T:0.30MM)                         | 1        | U.R.                   |
| 33       | 626-45577-00-05 | SHIM (T:0.50MM)                         | 1        | U.R.                   |
| 34       | 6G8-45611-00-00 | SHAFT, PROPELLER                        | 1        |                        |
| 35       | 650-45635-00-00 | PLUNGER, SHIFT                          | 1        |                        |
| 36       | 682-45631-00-00 | CLUTCH, DOG                             | 1        |                        |
| 37       | 90250-05010-00  | PIN, STRAIGHT                           | 1        |                        |
| 38       | 648-45633-00-00 | RING, CROSS PIN                         | 1        |                        |
| 39       | 90501-14M06-00  | SPRING, COMPRESSION                     | 1        |                        |
| 40       | 99999-02225-00  | CAP, LOWER CASING (METALLIC MARINE SLV) | 1        | U.R. FOR MMS           |
| 40       | 99999-02226-00  | CAP, LOWER CASING (HARBOR WHT)          | 1        | U.R. FOR HW            |
| 41       | 93306-00501-00  | BEARING                                 | 1        |                        |
| 42       | 93315-317U2-00  | BEARING                                 | 1        |                        |
| 43       | 93101-17054-00  | .OIL SEAL                               | 2        |                        |
| 44       | 93210-74M68-00  | .O-RING                                 | 1        |                        |
| 45       | 97395-06020-00  | BOLT, HEXAGON                           | 2        |                        |
| 46       | 92990-06600-00  | WASHER, PLATE                           | 2        |                        |

|    |                 |                 |   |                 |
|----|-----------------|-----------------|---|-----------------|
| 47 | 6G8-44150-20-00 | SHIFT CAM ASSY  | 1 | U.R. ULTRA LONG |
| 47 | 6G8-44150-10-00 | SHIFT CAM ASSY  | 1 | U.R. LONG       |
| 48 | 682-44147-00-00 | BOOT, SHIFT ROD | 1 |                 |
| 49 | 682-44176-00-00 | BRACKET         | 1 |                 |
| 50 | 97780-50110-00  | SCREW, PAN HEAD | 1 |                 |
| 51 | 93604-08062-00  | PIN, DOWEL      | 1 |                 |

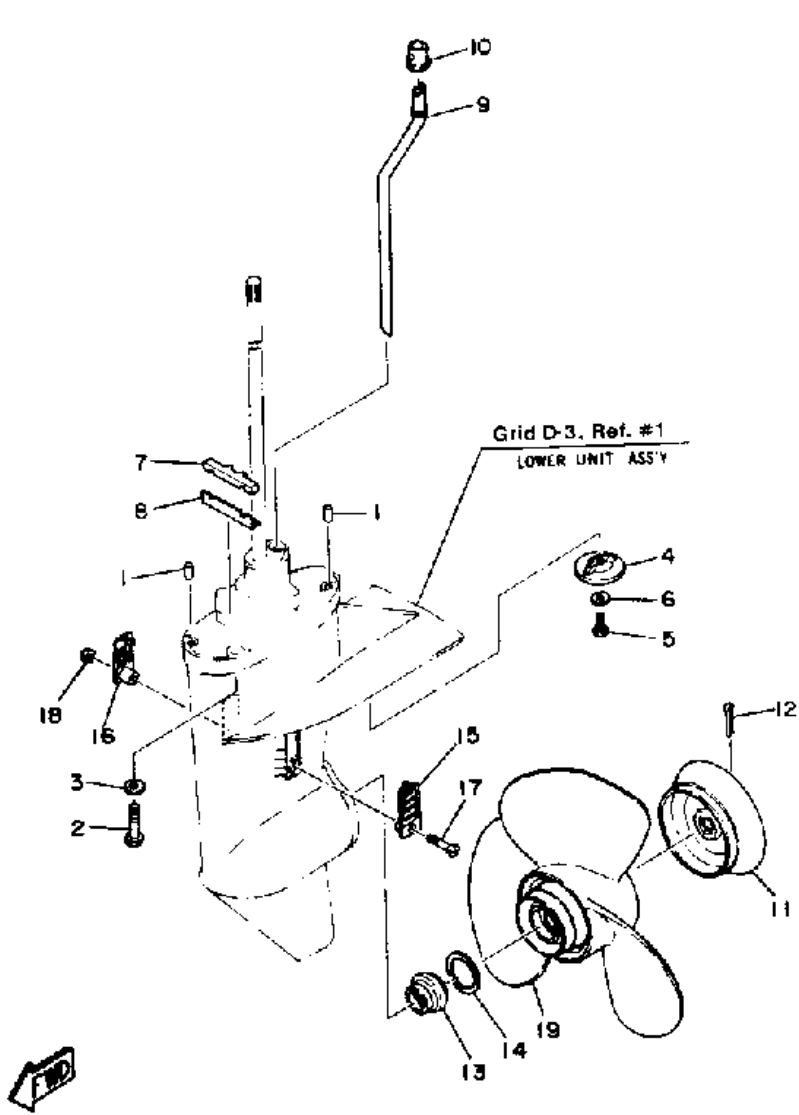
**Part Notes**

*FT9.9EXJ 1986 / LOWER DRIVE 1*

| <b>PART NUMBER</b> |   | <b>NOTE TEXT</b>   |
|--------------------|---|--|
| 90430-08020-00     |  | OEM: This part number is among the Top 100 Most Popular Marine Maintenance Parts as of March 2014. |
| 92990-06600-00     |  | OEM: This part number is among the Top 100 Most Popular Marine Maintenance Parts as of March 2014. |
| 92990-06600-00     |  | OEM: This part number is among the Top 100 Most Popular Marine Maintenance Parts as of March 2014. |

©2014 Yamaha Motor Corporation, U.S.A. All rights reserved.

FT9.9EXJ 1986 / LOWER DRIVE 2



©2014 Yamaha Motor Corporation, U.S.A. All rights reserved.


Part List

FT9.9EXJ 1986 / LOWER DRIVE 2

| REF - NO | PART NUMBER     | PART NAME                      | QUANTITY | REMARKS         |
|----------|-----------------|--------------------------------|----------|-----------------|
| 1        | 93606-12019-00  | .PIN, DOWEL                    | 2        |                 |
| 2        | 97090-08035-00  | BOLT                           | 4        |                 |
| 3        | 92990-08600-00  | ..WASHER, PLATE                | 4        |                 |
| 4        | 6E8-45251-00-00 | ANODE                          | 1        |                 |
| 5        | 97395-06016-00  | BOLT, HEX                      | 1        |                 |
| 6        | 92990-06600-00  | WASHER, PLATE                  | 1        |                 |
| 7        | 682-45375-01-00 | DAMPER, SEAL                   | 1        |                 |
| 8        | 682-45376-01-00 | GUIDE, SEAL DAMPER             | 1        |                 |
| 9        | 6G8-44361-10-00 | TUBE, WATER                    | 1        | U.R. LONG       |
| 9        | 6G8-44361-20-00 | TUBE, WATER                    | 1        | U.R. ULTRA LONG |
| 10       | 626-44365-01-00 | DAMPER, WATER SEAL             | 1        |                 |
| 11       | 99999-01735-00  | DEFLECTOR RING ASSEMBLY        | 1        |                 |
| 12       | 91490-30030-00  | PIN, COTTER                    | 1        |                 |
| 13       | 6G8-45987-01-00 | SPACER 1                       | 1        |                 |
| 14       | 90201-31MA3-00  | WASHER, PLATE                  | 1        |                 |
| 15       | 6G8-45214-00-00 | COVER, WATER INLET 1           | 1        |                 |
| 16       | 6G8-45215-00-00 | COVER, WATER INLET 2           | 1        |                 |
| 17       | 98680-05525-00  | SCREW.OVAL HEAD                | 1        |                 |
| 18       | 90185-05002-00  | NUT, NYLON                     | 1        |                 |
| 19       | 6G8-45941-00-00 | PROPELLER (3X11" X 11-3/4"-R)  | 1        | U.R.            |
| 19       | 6G8-45945-00-00 | PROPELLER(3X11-3/4"X12-1/4"-R) | 1        | U.R.            |
| 19       | 6G8-45943-00-00 | PROPELLER (3X11-3/4"X9-1/4"-R) | 1        | U.R.            |

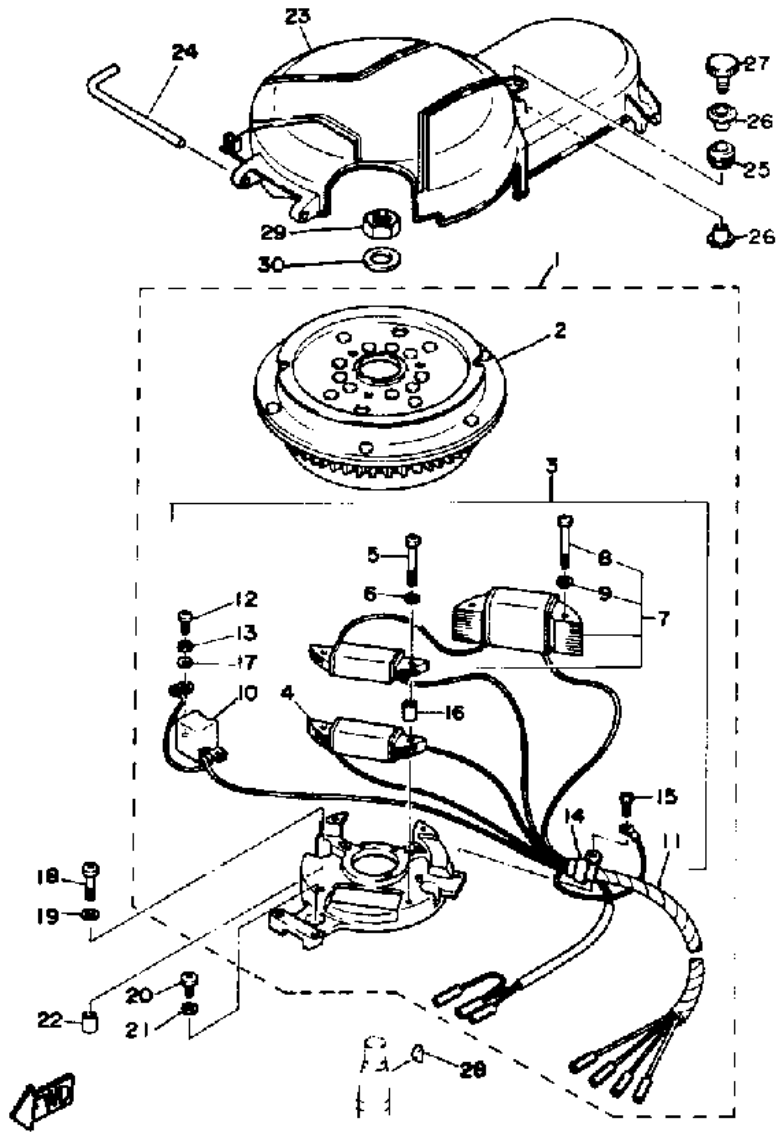
Part Notes

FT9.9EXJ 1986 / LOWER DRIVE 2

| PART NUMBER  | NOTE TEXT  |
|--|--|
| 92990-06600-00  | OEM: This part number is among the Top 100 Most Popular Marine Maintenance Parts as of March 2014. |

©2014 Yamaha Motor Corporation, U.S.A. All rights reserved.

FT9.9EXJ 1986 / CDI MAGNETO



©2014 Yamaha Motor Corporation, U.S.A. All rights reserved.



Part List

FT9.9EXJ 1986 / CDI MAGNETO

| REF - NO | PART NUMBER     | PART NAME                 | QUANTITY | REMARKS |
|----------|-----------------|---------------------------|----------|---------|
| 1        | [6G-88550-0J-0] | UNAVAILABLE IN PRICE BOOK | 1        |         |
| 2        | 6G8-85550-J0-00 | ROTOR ASSEMBLY            | 1        |         |
| 3        | 6G8-85560-J0-00 | BASE ASSEMBLY             | 1        |         |
| 4        | 6G8-85520-00-00 | COIL, CHARGE              | 1        |         |
| 5        | 98501-05040-00  | SCREW, PAN HEAD           | 2        |         |
| 6        | 92990-05100-00  | .WASHER, SPRING           | 2        |         |
| 7        | 6G8-81303-J0-00 | LIGHTING COIL ASSEMBLY    | 1        |         |
| 8        | 98501-05040-00  | SCREW, PAN HEAD           | 2        |         |
| 9        | 92990-05100-00  | .WASHER, SPRING           | 2        |         |
| 10       | 6G8-85580-01-00 | COIL PULSER               | 1        |         |
| 11       | 6G8-85515-00-00 | LEAD WIRE ASSEMBLY        | 1        |         |
| 12       | 98580-05012-00  | .SCREW, PAN HEAD          | 2        |         |
| 13       | 92990-05100-00  | .WASHER, SPRING           | 2        |         |
| 14       | 445-81328-20-00 | CLAMP                     | 1        |         |
| 15       | 98580-04008-00  | .SCREW, PAN HEAD          | 1        |         |
| 16       | 6G8-85519-00-00 | SPACER                    | 2        |         |
| 17       | 92990-05600-00  | WASHER, PLATE             | 2        |         |
| 18       | 98580-06025-00  | SCREW, PAN HEAD           | 2        |         |
| 19       | 92990-06600-00  | WASHER, PLATE             | 2        |         |
| 20       | 97803-06020-00  | SCREW, PAN HEAD           | 1        |         |
| 21       | 92990-06600-00  | WASHER, PLATE             | 1        |         |
| 22       | 99510-08012-00  | PIN, DOWEL                | 2        |         |
| 23       | 6G8-81337-00-00 | COVER, FLYWHEEL           | 1        |         |
| 24       | 6G8-42752-00-00 | SHAFT                     | 1        |         |
| 25       | 90480-15M31-00  | GROMMET                   | 1        |         |
| 26       | 90387-06M71-00  | COLLAR                    | 2        |         |
| 27       | 6G8-81323-00-00 | SCREW 1                   | 1        |         |
| 28       | 90280-16053-00  | KEY, WOODRUFF             | 1        |         |
| 29       | 90170-12066-00  | NUT                       | 1        |         |
| 30       | 90201-12472-00  | WASHER, PLATE             | 1        |         |

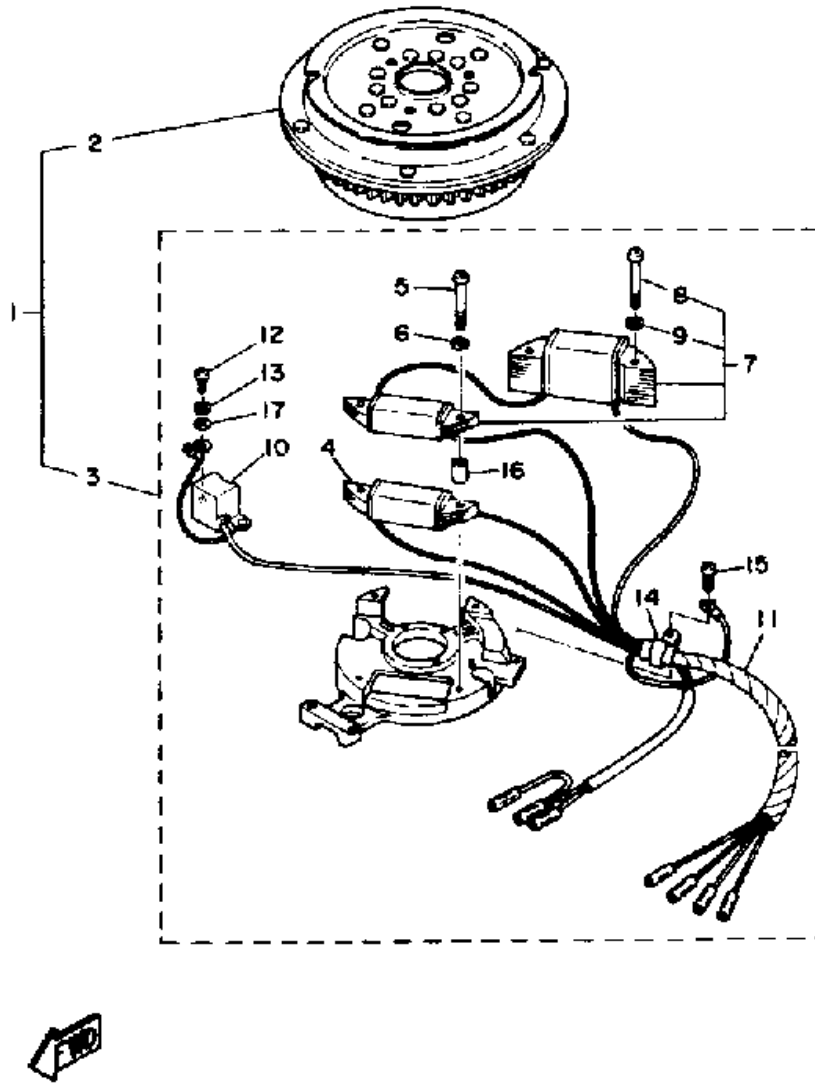
Part Notes

FT9.9EXJ 1986 / CDI MAGNETO

| PART NUMBER  | NOTE TEXT  |
|--|--|
| 92990-06600-00  | OEM: This part number is among the Top 100 Most Popular Marine Maintenance Parts as of March 2014. |
| 92990-06600-00  | OEM: This part number is among the Top 100 Most Popular Marine Maintenance Parts as of March 2014. |

©2014 Yamaha Motor Corporation, U.S.A. All rights reserved.

FT9.9EXJ 1986 / CDI MAGNETO (FT9.9E)



©2014 Yamaha Motor Corporation, U.S.A. All rights reserved.

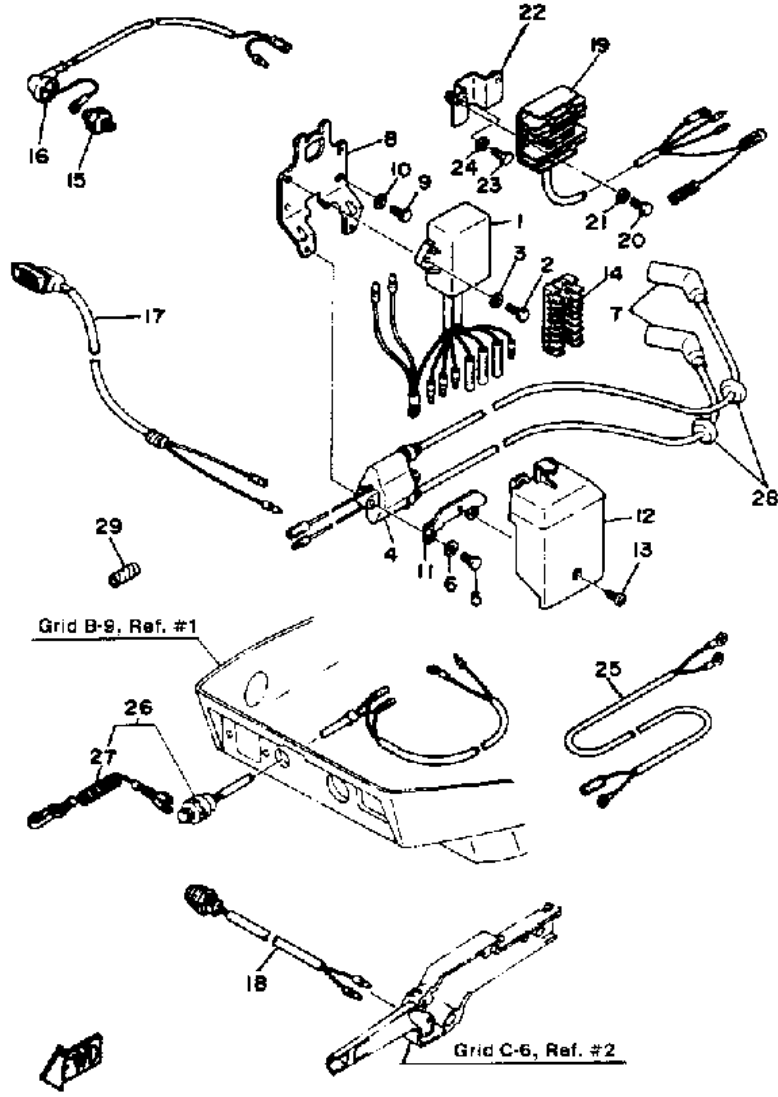


## Part List

FT9.9EXJ 1986 / CDI MAGNETO (FT9.9E)

| REF<br>-<br>NO | PART<br>NUMBER  | PART NAME                 | QUANTITY | REMARKS |
|----------------|-----------------|---------------------------|----------|---------|
| 1              | [6G-88550-0K-0] | UNAVAILABLE IN PRICE BOOK | 1        |         |
| 2              | 6G8-85550-K1-00 | ROTOR ASSEMBLY.           | 1        |         |
| 3              | 6G8-85560-J0-00 | BASE ASSEMBLY             | 1        |         |
| 4              | 6G8-85520-00-00 | COIL, CHARGE              | 1        |         |
| 5              | 98501-05040-00  | SCREW, PAN HEAD           | 2        |         |
| 6              | 92990-05100-00  | .WASHER, SPRING           | 2        |         |
| 7              | 6G8-81303-J0-00 | LIGHTING COIL ASSEMBLY    | 1        |         |
| 8              | 98501-05040-00  | SCREW, PAN HEAD           | 2        |         |
| 9              | 92990-05100-00  | .WASHER, SPRING           | 2        |         |
| 10             | 6G8-85580-01-00 | COIL PULSER               | 1        |         |
| 11             | 6G8-85515-00-00 | LEAD WIRE ASSEMBLY        | 1        |         |
| 12             | 98580-05012-00  | .SCREW, PAN HEAD          | 2        |         |
| 13             | 92990-05100-00  | .WASHER, SPRING           | 2        |         |
| 14             | 445-81328-20-00 | CLAMP                     | 1        |         |
| 15             | 98580-04008-00  | .SCREW, PAN HEAD          | 1        |         |
| 16             | 6G8-85519-00-00 | SPACER                    | 2        |         |
| 17             | 92990-05600-00  | WASHER, PLATE             | 2        |         |

FT9.9EXJ 1986 / ELECTRICAL



©2014 Yamaha Motor Corporation, U.S.A. All rights reserved.






Part List

FT9.9EXJ 1986 / ELECTRICAL

| REF - NO | PART NUMBER       | PART NAME                | QUANTITY | REMARKS                     |
|----------|-------------------|--------------------------|----------|-----------------------------|
| 1        | 6G8-85540-22-00   | C.D.I. UNIT ASSEMBLY     | 1        |                             |
| 2        | 97313-06025-00    | BOLT                     | 2        |                             |
| 3        | 92990-06600-00    | WASHER, PLATE            | 2        |                             |
| 4        | 6G8-85570-21-00   | IGNITION COIL ASSY       | 1        |                             |
| 5        | 97313-06020-00    | BOLT, HEXAGON            | 2        |                             |
| 6        | 92990-06600-00    | WASHER, PLATE            | 2        |                             |
| 7        | 6G8-82370-20-00   | PLUG CAP ASSEMBLY        | 2        |                             |
| 8        | 6G8-85542-00-00   | BRACKET                  | 1        |                             |
| 9        | 97313-06020-00    | BOLT, HEXAGON            | 2        |                             |
| 10       | 92990-06600-00    | WASHER, PLATE            | 2        |                             |
| 11       | 6G8-85525-00-00   | PLATE                    | 1        |                             |
| 12       | 6G8-81916-00-00   | COVER, TERMINAL          | 1        |                             |
| 13       | 90157-06M03-00    | SCREW, PAN HEAD          | 1        |                             |
| 14       | 6G8-82522-00-00   | CLAMP, COUPLER           | 1        |                             |
| 15       | 6G8-82504-00-00   | OIL PRESSURE SWITCH ASSY | 1        |                             |
| 16       | 6G8-82127-00-00   | WIRE, LEAD 2             | 1        |                             |
| 17       | 6G8-83582-01-00   | PILOT LIGHT ASSY         | 1        |                             |
| 18       | 6G8-82550-10-00   | ENGINE STOP SWITCH ASSY  | 1        |                             |
| 18       | 6G8-82550-20-00   | ENGINE STOP SWITCH ASSY  | 1        | AP FOR HANDY REMOTE CONTROL |
| 19       | 6G8-81960-A0-00   | RECTIFIER/REG ASSEMBLY   | 1        |                             |
| 20       | 97313-06016-00    | BOLT, HEXAGON            | 2        |                             |
| 21       | 92990-06600-00    | WASHER, PLATE            | 2        |                             |
| 22       | 6G8-81948-00-00   | BRACKET                  | 1        |                             |
| 23       | 97313-06016-00    | BOLT, HEXAGON            | 1        |                             |
| 24       | 92990-06600-00    | WASHER, PLATE            | 1        |                             |
| 25       | 6G8-81949-00-00   | WIRE, LEAD               | 1        | AP                          |
| 26       | 6G8-82575-00-00   | ENGINE STOP SWITCH ASSY  | 1        |                             |
| 27       | (682-82566-00-00) | STOPPER ASSEMBLY         | 1        |                             |
| 28       | 90480-25161-00    | GROMMET                  | 2        |                             |
| 29       | 90446-10M02-00    | HOSE                     | 1        |                             |

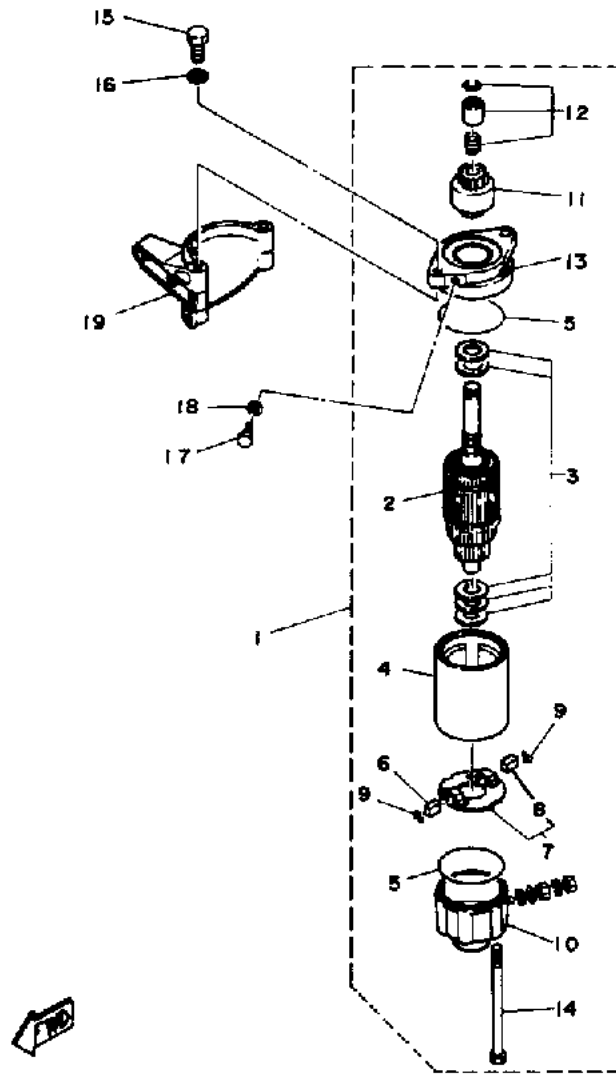
Part Notes

FT9.9EXJ 1986 / ELECTRICAL

| PART NUMBER  | NOTE TEXT  |
|--|--|
| 92990-06600-00  | OEM: This part number is among the Top 100 Most Popular Marine Maintenance Parts as of March 2014. |
| 92990-06600-00  | OEM: This part number is among the Top 100 Most Popular Marine Maintenance Parts as of March 2014. |
| 92990-06600-00  | OEM: This part number is among the Top 100 Most Popular Marine Maintenance Parts as of March 2014. |
| 92990-06600-00  | OEM: This part number is among the Top 100 Most Popular Marine Maintenance Parts as of March 2014. |
| 92990-06600-00  | OEM: This part number is among the Top 100 Most Popular Marine Maintenance Parts as of March 2014. |

©2014 Yamaha Motor Corporation, U.S.A. All rights reserved.

FT9.9EXJ 1986 / STARTING MOTOR



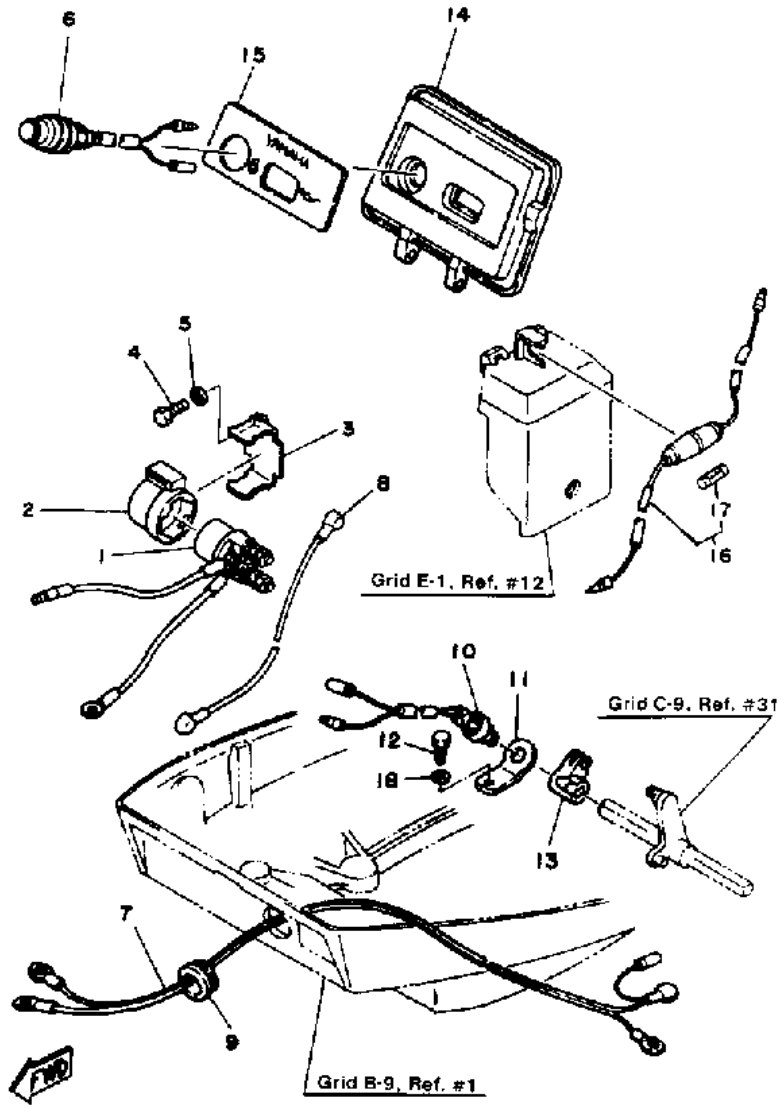
©2014 Yamaha Motor Corporation, U.S.A. All rights reserved.

## Part List

FT9.9EXJ 1986 / STARTING MOTOR

| REF<br>-<br>NO | PART<br>NUMBER  | PART NAME                     | QUANTITY | REMARKS |
|----------------|-----------------|-------------------------------|----------|---------|
| 1              | 6G8-81800-11-00 | STARTING MOTOR ASSY           | 1        |         |
| 2              | 689-81850-12-00 | ARMATURE ASSY                 | 1        |         |
| 3              | 689-81809-11-00 | .WASHER KIT                   | 1        |         |
| 4              | 689-81810-11-00 | .STATOR ASSY                  | 1        |         |
| 5              | 689-81847-11-00 | .O-RING                       | 2        |         |
| 6              | 689-81811-11-00 | ..BRUSH 1                     | 1        |         |
| 7              | 689-81840-11-00 | .BRUSH HOLDER ASSY            | 1        |         |
| 8              | 689-81812-11-00 | ..BRUSH 2                     | 1        |         |
| 9              | 689-81813-10-00 | ..SPRING, BRUSH               | 2        |         |
| 10             | 689-81820-11-00 | .REAR BRACKET ASSY            | 1        |         |
| 11             | 689-81807-12-00 | .GEAR ASSY, STARTING<br>MOTOR | 1        |         |
| 12             | 689-81857-11-00 | PINION STOPPER SET            | 1        |         |
| 13             | 6F5-81830-11-00 | .FRONT BRACKET ASSY           | 1        |         |
| 14             | 689-81826-10-00 | .BOLT                         | 2        |         |
| 15             | 97013-08025-00  | BOLT                          | 2        |         |
| 16             | 92990-08600-00  | ..WASHER, PLATE               | 2        |         |
| 17             | 97395-08016-00  | BOLT                          | 1        |         |
| 18             | 92990-08600-00  | ..WASHER, PLATE               | 1        |         |
| 19             | 6G8-81822-40-94 | BRACKET, STARTING MOTOR       | 1        |         |

FT9.9EXJ 1986 / ELECTRIC PARTS 1



©2014 Yamaha Motor Corporation, U.S.A. All rights reserved.



Part List

FT9.9EXJ 1986 / ELECTRIC PARTS 1

| REF - NO | PART NUMBER     | PART NAME            | QUANTITY | REMARKS |
|----------|-----------------|----------------------|----------|---------|
| 1        | 6J0-81941-10-00 | STARTER RELY ASSY    | 1        |         |
| 2        | 6G1-81952-00-00 | HOLDER, RELAY        | 1        |         |
| 3        | 6G8-81953-00-00 | STAY, RELAY          | 1        |         |
| 4        | 97013-06012-00  | BOLT                 | 1        |         |
| 5        | 92990-06600-00  | WASHER, PLATE        | 1        |         |
| 6        | 6G8-81870-00-00 | STARTING SWITCH ASSY | 1        |         |
| 7        | 6G8-82105-00-00 | BATTERY CABLE        | 1        |         |
| 8        | 6G8-82117-00-00 | WIRE, LEAD           | 1        |         |
| 9        | 6G8-42724-40-00 | GROMMET              | 1        |         |
| 10       | 6H3-82540-00-00 | NEUTRAL SWITCH ASSY  | 1        |         |
| 11       | 6G8-82554-00-00 | STAY, NEUTRAL SWITCH | 1        |         |
| 12       | 97013-06012-00  | BOLT                 | 1        |         |
| 13       | 6G8-44125-00-00 | LEVER, SHIFT ROD     | 1        |         |
| 14       | 6G8-W4261-10-00 | PANEL, FRONT UPPER   | 1        |         |
| 15       | 6G8-42677-10-00 | GRAPHIC, FRONT       | 1        |         |
| 16       | 6G8-82150-00-00 | FUSE HOLDER ASSY     | 1        |         |
| 17       | 682-82151-00-00 | FUSE (12V-20A)       | 1        |         |
| 18       | 92990-06600-00  | WASHER, PLATE        | 1        |         |

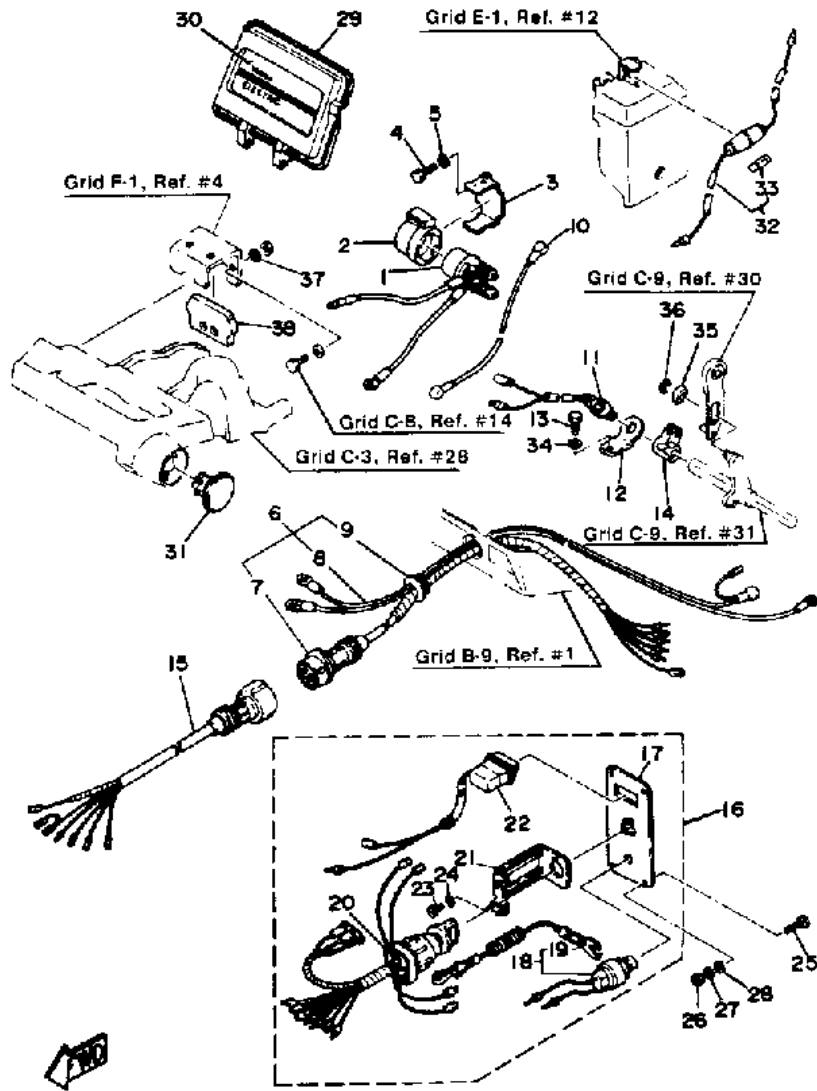
Part Notes

FT9.9EXJ 1986 / ELECTRIC PARTS 1

| PART NUMBER    |   | NOTE TEXT  |
|----------------|---|--|
| 92990-06600-00 |   | OEM: This part number is among the Top 100 Most Popular Marine Maintenance Parts as of March 2014. |
| 92990-06600-00 |  | OEM: This part number is among the Top 100 Most Popular Marine Maintenance Parts as of March 2014. |

©2014 Yamaha Motor Corporation, U.S.A. All rights reserved.

FT9.9EXJ 1986 / ELECTRIC PARTS 2



©2014 Yamaha Motor Corporation, U.S.A. All rights reserved.







## Part List

FT9.9EXJ 1986 / ELECTRIC PARTS 2

| REF<br>-<br>NO | PART<br>NUMBER  | PART NAME                | QUANTITY | REMARKS |
|----------------|-----------------|--------------------------|----------|---------|
| 1              | 6J0-81941-10-00 | STARTER RELY ASSY        | 1        |         |
| 2              | 6G1-81952-00-00 | HOLDER, RELAY            | 1        |         |
| 3              | 6G8-81953-00-00 | STAY, RELAY              | 1        |         |
| 4              | 97013-06012-00  | BOLT                     | 1        |         |
| 5              | 92990-06600-00  | WASHER, PLATE            | 1        |         |
| 6              | 6G8-82580-00-00 | WIRE HARNESS ASSY 2      | 1        |         |
| 7              | 6G8-82590-00-00 | WIRE HARNESS ASSY        | 1        |         |
| 8              | 6G8-82105-00-00 | BATTERY CABLE            | 1        |         |
| 9              | 6G8-42724-50-00 | GROMMET                  | 1        |         |
| 10             | 6G8-82117-00-00 | WIRE, LEAD               | 1        |         |
| 11             | 6H3-82540-00-00 | NEUTRAL SWITCH ASSY      | 1        |         |
| 12             | 6G8-82554-00-00 | STAY, NEUTRAL SWITCH     | 1        |         |
| 13             | 97013-06012-00  | BOLT                     | 1        |         |
| 14             | 6G8-44125-00-00 | LEVER, SHIFT ROD         | 1        |         |
| 15             | 6G8-82586-00-00 | WIRE HARNESS, S.P.       | 1        |         |
| 16             | 6G8-82570-01-00 | PANEL SWITCH ASSEMBLY    | 1        |         |
| 17             | 6G8-82571-01-00 | PANEL, SWITCH            | 1        |         |
| 18             | 688-82575-01-00 | .ENGINE STOP SWITCH ASSY | 1        |         |
| 19             | 682-82556-00-00 | .LANYARD, STOP SWITCH    | 1        |         |
| 20             | 688-82510-11-00 | MAIN SWITCH ASSY         | 1        |         |
| 21             | 663-82581-01-00 | STAY, CORD CLAMP         | 1        |         |
| 22             | 6G8-83582-01-00 | PILOT LIGHT ASSY         | 1        |         |
| 23             | 98901-04008-00  | SCREW, BIND              | 1        |         |
| 24             | 92901-04600-00  | WASHER                   | 1        |         |
| 25             | 98903-05025-00  | SCREW, BIND              | 4        |         |
| 26             | 95380-05600-00  | NUT                      | 4        |         |
| 27             | 92990-05100-00  | .WASHER, SPRING          | 4        |         |
| 28             | 92990-05600-00  | WASHER, PLATE            | 4        |         |
| 29             | 6G8-W4261-10-00 | PANEL, FRONT UPPER       | 1        |         |
| 30             | 6G8-42677-20-00 | GRAPHIC, FRONT           | 1        |         |
| 31             | 6G8-42551-00-00 | GROMMET                  | 1        |         |
| 32             | 6G8-82150-00-00 | FUSE HOLDER ASSY         | 1        |         |
| 33             | 682-82151-00-00 | FUSE (12V-20A)           | 1        |         |
| 34             | 92990-06600-00  | WASHER, PLATE            | 1        |         |
| 35             | 90387-06M73-00  | COLLAR                   | 1        |         |
| 36             | 93430-04M03-00  | CIRCLIP                  | 1        |         |
| 37             | 92990-06600-00  | WASHER, PLATE            | 2        |         |
| 38             | 6G8-48351-51-00 | SEAL RUBBER              | 1        |         |

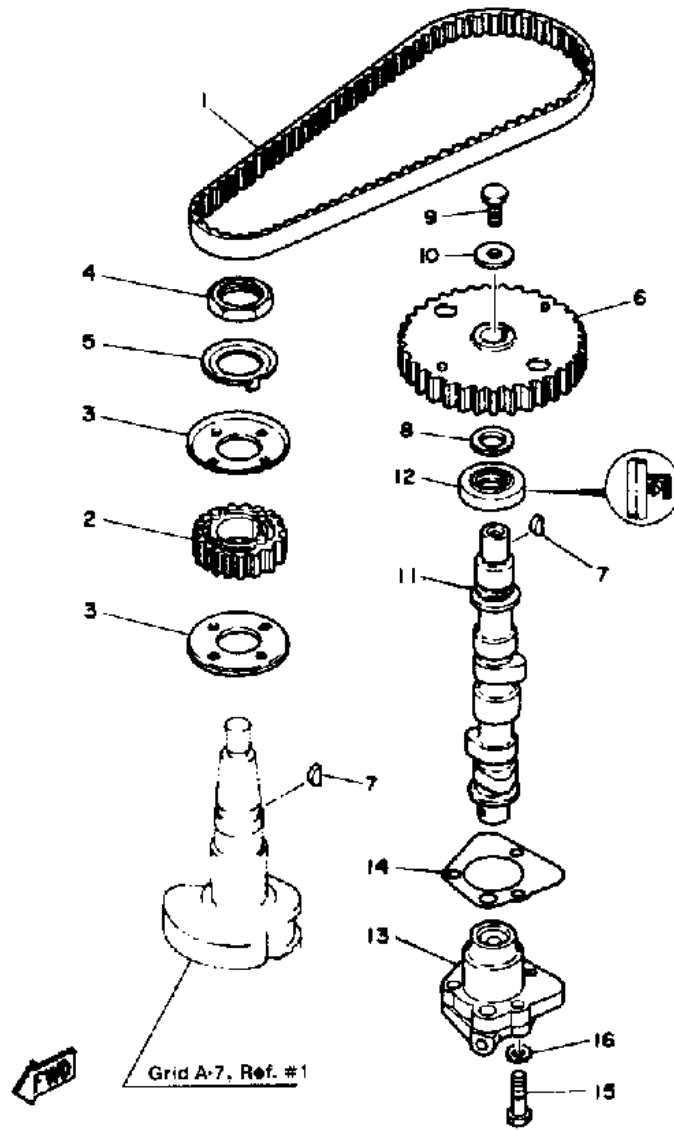
## Part Notes

FT9.9EXJ 1986 / ELECTRIC PARTS 2

| PART NUMBER   | NOTE TEXT  |
|---|--|
| 92990-06600-00   | OEM: This part number is among the Top 100 Most Popular Marine Maintenance Parts as of March 2014. |
| 682-82556-00-00  | OEM: This part number is among the Top 100 Most Popular Marine Maintenance Parts as of March 2014. |
| 92990-06600-00   | OEM: This part number is among the Top 100 Most Popular Marine Maintenance Parts as of March 2014. |
| 92990-06600-00   | OEM: This part number is among the Top 100 Most Popular Marine Maintenance Parts as of March 2014. |

©2014 Yamaha Motor Corporation, U.S.A. All rights reserved.

FT9.9EXJ 1986 / OIL PUMP BELT



©2014 Yamaha Motor Corporation, U.S.A. All rights reserved.


Part List

FT9.9EXJ 1986 / OIL PUMP BELT

| REF - NO | PART NUMBER     | PART NAME          | QUANTITY | REMARKS |
|----------|-----------------|--------------------|----------|---------|
| 1        | 6G8-46241-00-00 | V-BELT             | 1        |         |
| 2        | 6G8-11536-00-94 | GEAR, DRIVE        | 1        |         |
| 3        | 6G8-11557-00-00 | WASHER 1           | 2        |         |
| 4        | 90170-24M09-00  | NUT                | 1        |         |
| 5        | 6G8-11587-00-00 | WASHER, LOCK       | 1        |         |
| 6        | 6G8-11537-00-94 | GEAR, DRIVEN       | 1        |         |
| 7        | 90280-03M01-00  | .KEY, WOODRUFF     | 2        |         |
| 8        | 90201-13201-00  | WASHER, PLATE      | 1        |         |
| 9        | 97313-06016-00  | BOLT, HEXAGON      | 1        |         |
| 10       | 90201-06M94-00  | WASHER, PLATE      | 1        |         |
| 11       | 6G8-12171-00-00 | CAMSHAFT 1         | 1        |         |
| 12       | 93102-18M21-00  | .OIL SEAL          | 1        |         |
| 13       | 6G8-13300-01-00 | OIL PUMP ASSEMBLY  | 1        |         |
| 14       | 6G8-13329-00-00 | GASKET, PUMP COVER | 1        |         |
| 15       | 97313-06025-00  | BOLT               | 3        |         |
| 16       | 92990-06600-00  | WASHER, PLATE      | 3        |         |

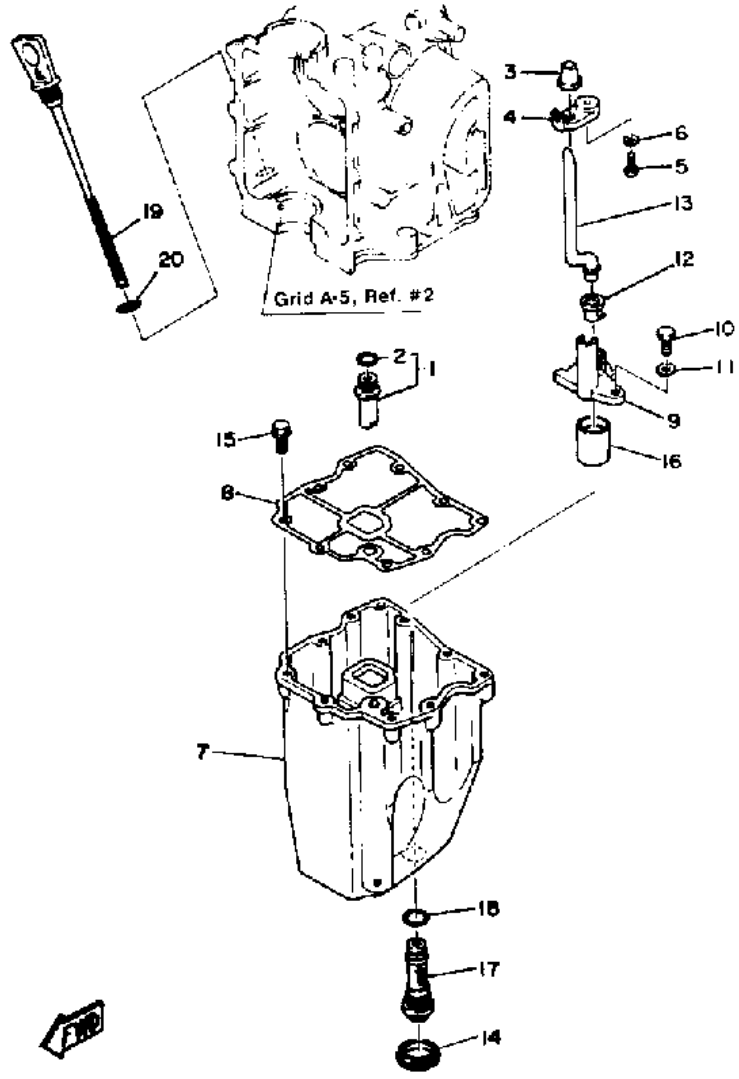
Part Notes

FT9.9EXJ 1986 / OIL PUMP BELT

| PART NUMBER  | NOTE TEXT  |
|--|--|
| 92990-06600-00  | OEM: This part number is among the Top 100 Most Popular Marine Maintenance Parts as of March 2014. |

©2014 Yamaha Motor Corporation, U.S.A. All rights reserved.

FT9.9EXJ 1986 / OIL PAN



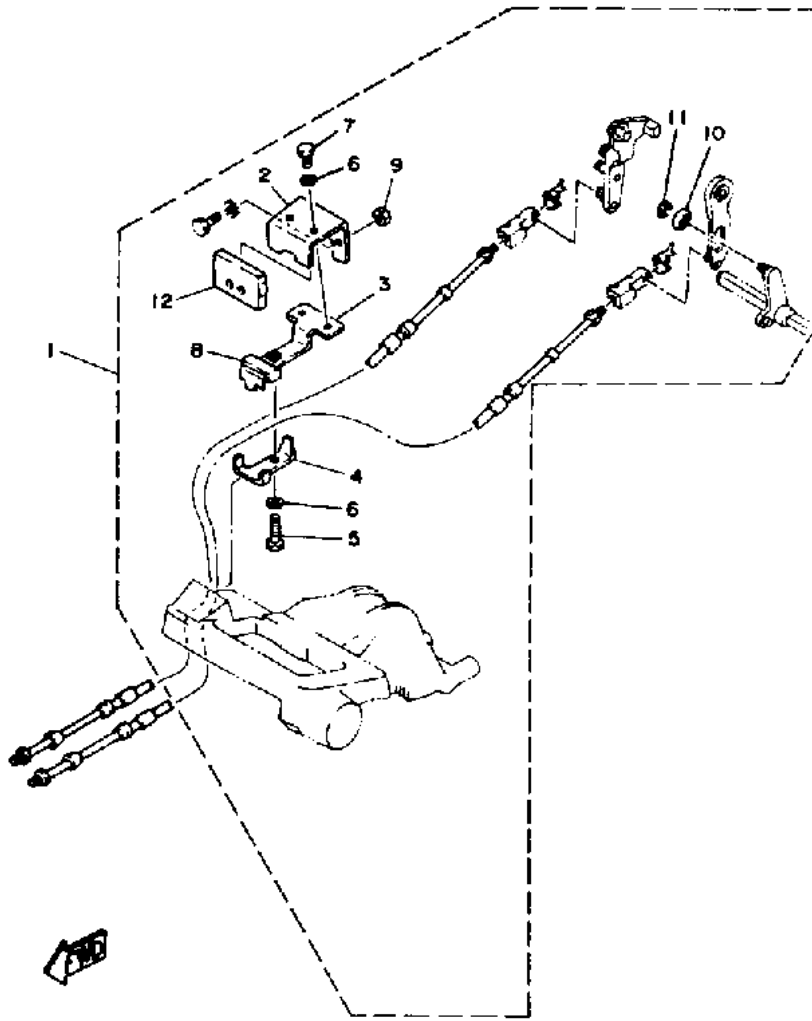
©2014 Yamaha Motor Corporation, U.S.A. All rights reserved.

## Part List

FT9.9EXJ 1986 / OIL PAN

| REF<br>-<br>NO | PART<br>NUMBER  | PART NAME              | QUANTITY | REMARKS |
|----------------|-----------------|------------------------|----------|---------|
| 1              | 6G8-11575-00-00 | RELIEF VALVE ASSY      | 1        |         |
| 2              | 93210-12M62-00  | .O-RING                | 1        |         |
| 3              | 6G8-15379-00-00 | SEAL, CRANKCASE        | 1        |         |
| 4              | 6G8-13487-00-00 | GUIDE, OIL HOSE        | 1        |         |
| 5              | 98580-05012-00  | .SCREW, PAN HEAD       | 1        |         |
| 6              | 92901-05600-00  | WASHER                 | 1        |         |
| 7              | 6G8-15311-02-0D | OIL PAN                | 1        |         |
| 8              | 6G8-15312-09-00 | GASKET, OIL PAN        | 1        |         |
| 9              | 6G8-13412-00-00 | HOUSING, STRAINER      | 1        |         |
| 10             | 97313-06016-00  | BOLT, HEXAGON          | 1        |         |
| 11             | 90201-061A5-00  | .WASHER, PLATE         | 1        |         |
| 12             | 6G8-15315-00-00 | SEAL, CRANKCASE        | 1        |         |
| 13             | 6G8-15397-00-00 | GASKET, O/SL HSNG      | 1        |         |
| 14             | 6G8-15316-00-00 | DAMPER, ENGINE MOUNT 1 | 1        |         |
| 15             | 90105-06M33-00  | BOLT, FLANGE           | 9        |         |
| 16             | 6G8-13417-00-00 | COVER, STRAINER        | 1        |         |
| 17             | 6G8-13411-01-00 | STRAINER, OIL          | 1        |         |
| 18             | 93210-16716-00  | O-RING                 | 1        |         |
| 19             | 6G8-15362-02-00 | PLUG, OIL LEVEL        | 1        |         |
| 20             | 93210-13M63-00  | .O-RING                | 1        |         |

FT9.9EXJ 1986 / REMOTE CONTROL ATTACHMENT



©2014 Yamaha Motor Corporation, U.S.A. All rights reserved.


Part List

FT9.9EXJ 1986 / REMOTE CONTROL ATTACHMENT

| REF - NO | PART NUMBER     | PART NAME                    | QUANTITY | REMARKS |
|----------|-----------------|------------------------------|----------|---------|
| 1        | 6G8-48501-03-00 | REMOTE CONT. ATTACHMENT ASSY | 1        |         |
| 2        | 6G8-48531-50-00 | GROMMET                      | 1        |         |
| 3        | 6G8-48532-50-00 | BRACKET, REMOTE CONTROL 2    | 1        |         |
| 4        | 6G8-48538-50-00 | CLAMP, CABLE 1               | 1        |         |
| 5        | 97395-06030-00  | BOLT                         | 1        |         |
| 6        | 92990-06600-00  | WASHER, PLATE                | 3        |         |
| 7        | 97395-06012-00  | BOLT                         | 2        |         |
| 8        | 6G8-48565-50-00 | GROMMET                      | 1        |         |
| 9        | 95380-06700-00  | NUT                          | 2        |         |
| 10       | 90387-06M73-00  | COLLAR                       | 1        |         |
| 11       | 93430-04M03-00  | CIRCLIP                      | 1        |         |
| 12       | 6G8-48351-51-00 | SEAL RUBBER                  | 1        |         |

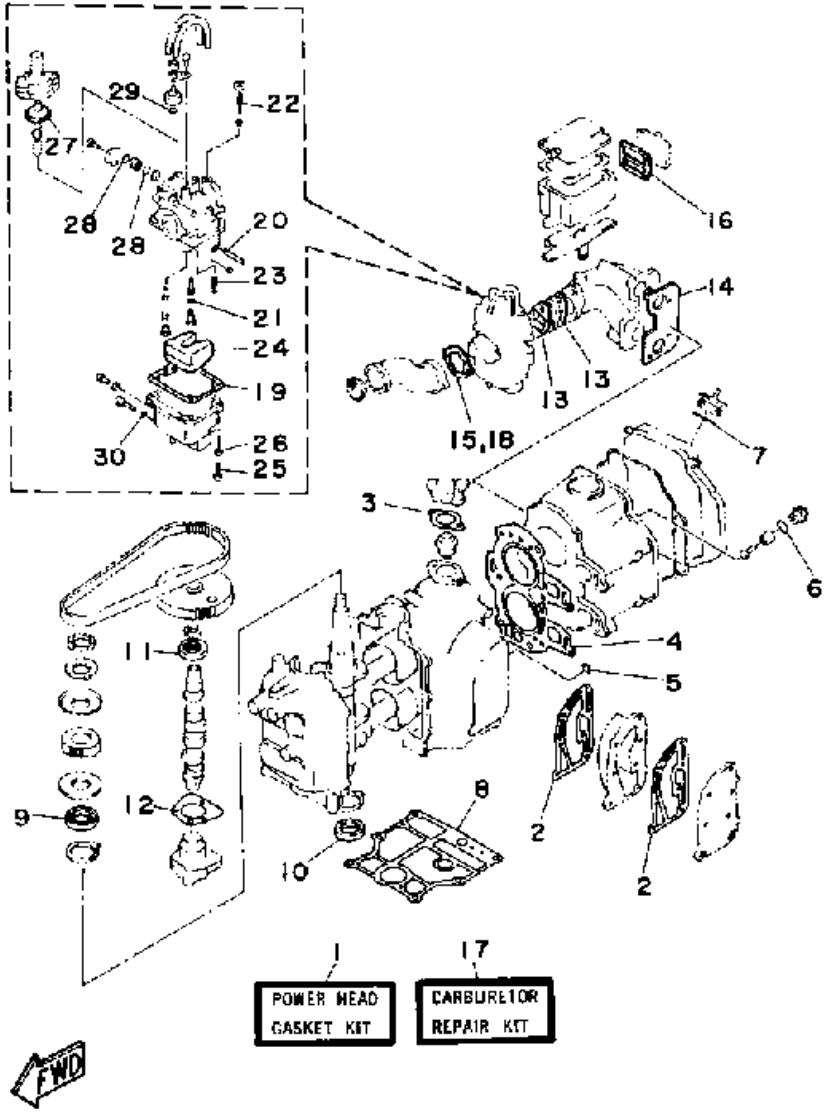
Part Notes

FT9.9EXJ 1986 / REMOTE CONTROL ATTACHMENT

| PART NUMBER  | NOTE TEXT  |
|--|--|
| 92990-06600-00  | OEM: This part number is among the Top 100 Most Popular Marine Maintenance Parts as of March 2014. |

©2014 Yamaha Motor Corporation, U.S.A. All rights reserved.

FT9.9EXJ 1986 / REPAIR KIT 1



©2014 Yamaha Motor Corporation, U.S.A. All rights reserved.

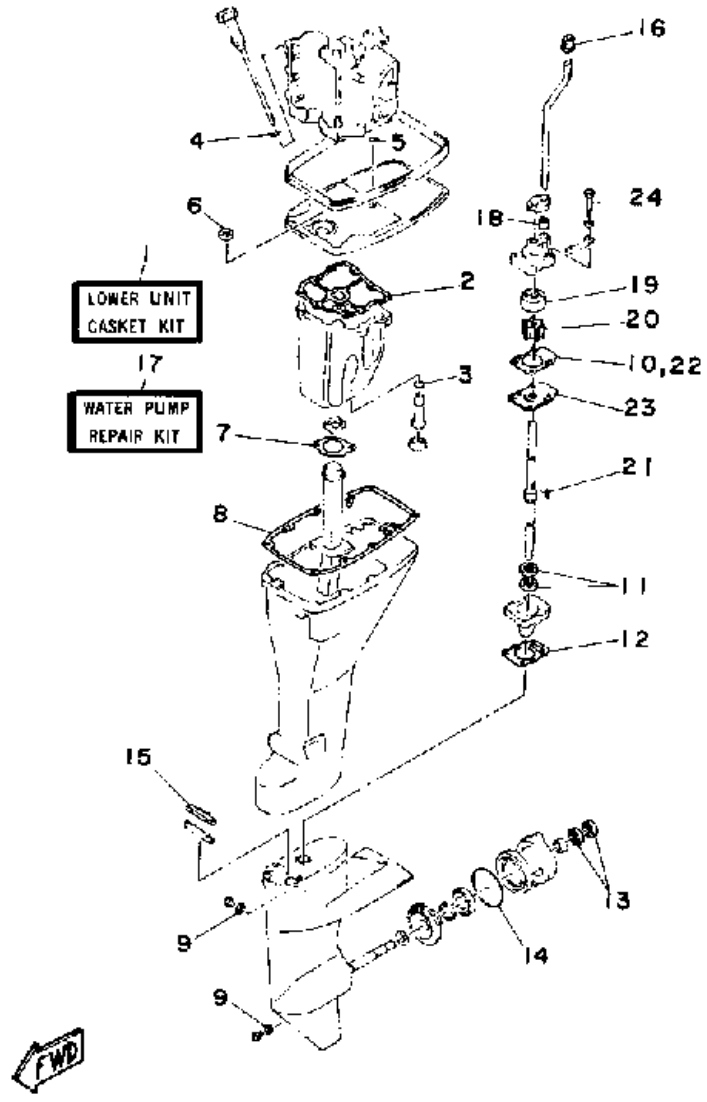


## Part List

FT9.9EXJ 1986 / REPAIR KIT 1

| REF<br>-<br>NO | PART<br>NUMBER  | PART NAME                       | QUANTITY | REMARKS |
|----------------|-----------------|---------------------------------|----------|---------|
| 1              | 6G8-W0001-00-00 | POWER HEAD GASKET KIT           | 1        |         |
| 2              | 6G8-41112-02-00 | .GASKET, EXHAUST INNER<br>COVER | 2        |         |
| 3              | 6G8-12414-A0-00 | .GASKET, COVER                  | 1        |         |
| 4              | 6G8-11181-A0-00 | .GASKET, CYLINDER HEAD 1        | 1        |         |
| 5              | 93210-11M59-00  | .O-RING                         | 1        |         |
| 6              | 93210-13M63-00  | .O-RING                         | 1        |         |
| 7              | 93210-25070-00  | .O-RING                         | 1        |         |
| 8              | 6G8-11351-A0-00 | .GASKET, CYLINDER               | 1        |         |
| 9              | 93102-30M22-00  | .OIL SEAL                       | 1        |         |
| 10             | 93101-25M24-00  | .OIL SEAL                       | 1        |         |
| 11             | 93102-18M21-00  | .OIL SEAL                       | 1        |         |
| 12             | 6G8-13329-00-00 | .GASKET, PUMP COVER             | 1        |         |
| 13             | 6G8-13646-A0-00 | .GASKET, MANIFOLD 2             | 2        |         |
| 14             | 6G8-13645-00-00 | .GASKET, MANIFOLD 1             | 1        |         |
| 15             | 6G8-14198-00-00 | .GASKET                         | 1        |         |
| 16             | 6G8-15374-00-00 | .GASKET, BREATHER               | 1        |         |
| 17             | 6G8-W0093-00-00 | CARB REPAIR KIT                 | 1        |         |
| 18             | 6G8-14198-00-00 | .GASKET                         | 1        |         |
| 19             | 6G8-14384-00-00 | .GASKET, FLOAT CHAMBER          | 1        |         |
| 20             | 647-14386-10-00 | .PIN, FLOAT                     | 1        |         |
| 21             | 654-14198-00-00 | .GASKET                         | 1        |         |
| 22             | 6G8-14323-00-00 | .SCREW, AIR ADJUSTING           | 1        |         |
| 23             | 6G8-14392-00-00 | .VALVE, NEEDLE                  | 1        |         |
| 24             | 6G8-14385-00-00 | .FLOAT                          | 1        |         |
| 25             | 98580-04016-00  | .SCREW, PAN HEAD                | 1        |         |
| 26             | 92901-04100-00  | .WASHER, SPRING                 | 1        |         |
| 27             | 33A-14369-00-00 | .DIAPHRAGM ASSEMBLY             | 1        |         |
| 28             | 1J2-14397-00-00 | .O-RING                         | 2        |         |
| 29             | 5H0-14397-00-00 | .O-RING                         | 1        |         |
| 30             | 5Y1-14397-00-00 | .O-RING                         | 1        |         |

FT9.9EXJ 1986 / REPAIR KIT 2



©2014 Yamaha Motor Corporation, U.S.A. All rights reserved.


Part List

FT9.9EXJ 1986 / REPAIR KIT 2

| REF - NO | PART NUMBER     | PART NAME                   | QUANTITY | REMARKS |
|----------|-----------------|-----------------------------|----------|---------|
| 1        | 6G8-W0001-22-00 | LOWER UNIT GASKET KIT       | 1        |         |
| 2        | 6G8-15312-01-00 | .GASKET, OIL PAN            | 1        |         |
| 3        | 93210-16716-00  | .O-RING                     | 1        |         |
| 4        | 93210-13M63-00  | .O-RING                     | 1        |         |
| 5        | 93210-08M60-00  | .O-RING                     | 1        |         |
| 6        | 93101-13M27-00  | .O-RING                     | 1        |         |
| 7        | 6G8-41133-A0-00 | .GASKET, EXHAUST MANIFOLD 1 | 1        |         |
| 8        | 6G8-45113-A0-00 | .GASKET, UPPER CASING       | 1        |         |
| 9        | 90430-08020-00  | .GASKET                     | 3        |         |
| 10       | 682-44315-A0-00 | .GASKET, WATER PUMP         | 2        |         |
| 11       | 93101-20048-00  | .OIL SEAL                   | 2        |         |
| 12       | 6G8-45315-A0-00 | .PACKING, LOWER CASING      | 1        |         |
| 13       | 93101-17054-00  | .OIL SEAL                   | 2        |         |
| 14       | 93210-74M68-00  | .O-RING                     | 1        |         |
| 15       | 682-45375-01-00 | .DAMPER, SEAL               | 1        |         |
| 16       | 626-44365-01-00 | .DAMPER, WATER SEAL         | 1        |         |
| 17       | 682-W0078-01-00 | WATER PUMP REPAIR KIT       | 1        |         |
| 17       | 682-W0078-01-00 | WATER PUMP REPAIR KIT       | 1        |         |
| 18       | 682-44365-00-00 | .DAMPER, WATER SEAL         | 1        |         |
| 19       | 682-44322-00-00 | .INSERT, CARTRIDGE          | 1        |         |
| 20       | 682-44352-01-00 | .IMPELLER                   | 1        |         |
| 21       | 90280-03024-00  | .KEY, WOODRUFF              | 1        |         |
| 22       | 682-44315-A0-00 | .GASKET, WATER PUMP         | 2        |         |
| 23       | 682-44323-00-00 | .OUTER PLATE, CARTRIDGE     | 1        |         |
| 24       | 97395-06040-00  | .BOLT                       | 4        |         |

Part Notes

FT9.9EXJ 1986 / REPAIR KIT 2

| PART NUMBER  | NOTE TEXT  |
|--|--|
| 90430-08020-00  | OEM: This part number is among the Top 100 Most Popular Marine Maintenance Parts as of March 2014. |

©2014 Yamaha Motor Corporation, U.S.A. All rights reserved.

©2014 Yamaha Motor Corporation, U.S.A. All rights reserved.