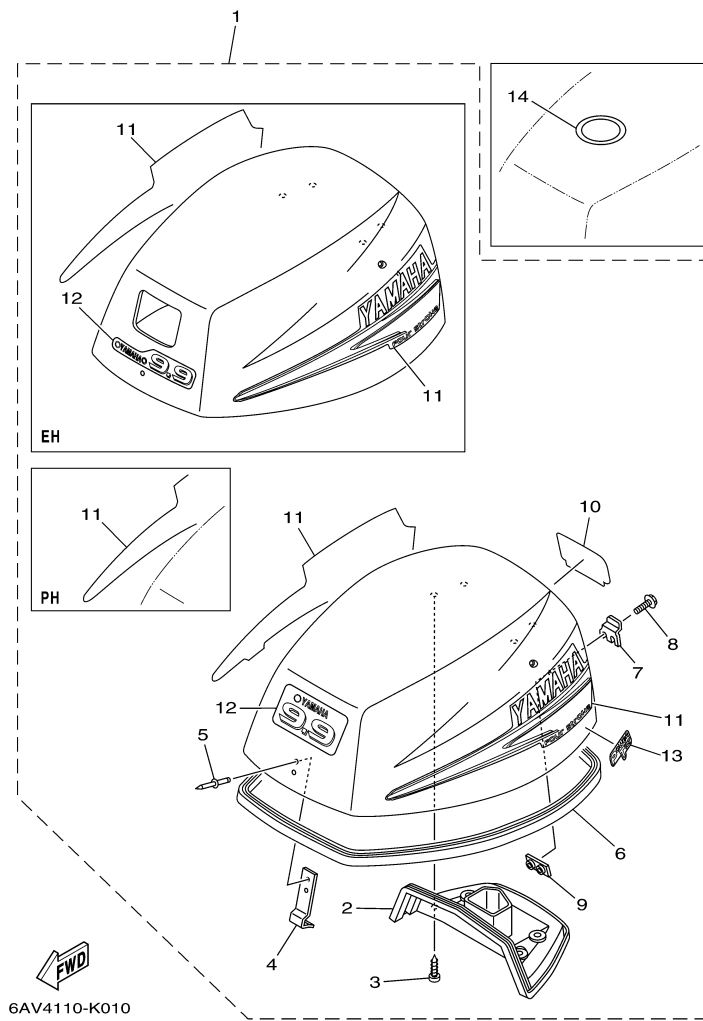


T9.9GPXR 0410 / TOP COWLING



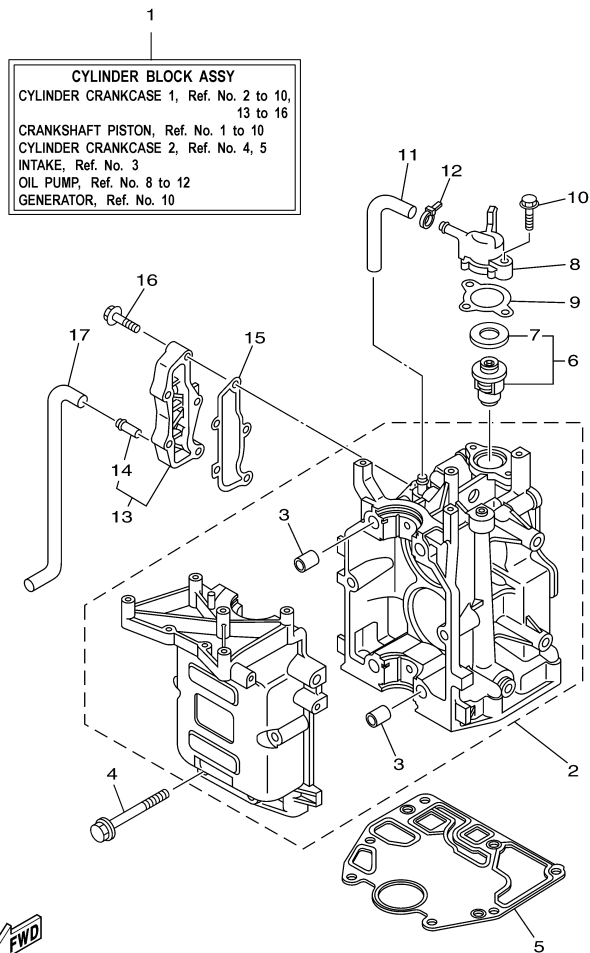
©2014 Yamaha Motor Corporation, U.S.A. All rights reserved.

## Part List

T9.9GPXR 0410 / TOP COWLING

| REF<br>-<br>NO | PART<br>NUMBER  | PART NAME           | QUANTITY | REMARKS |
|----------------|-----------------|---------------------|----------|---------|
| 1              | 6AV-42610-30-00 | TOP COWLING ASSY    | 1        |         |
| 2              | 6AU-42613-00-00 | .MOLDING, AIR DUCT  | 1        |         |
| 3              | 97780-60516-00  | .SCREW, TAPPING     | 4        |         |
| 4              | 6G1-42651-02-00 | .HOOK               | 1        |         |
| 5              | 90266-04M04-00  | .RIVET              | 2        |         |
| 6              | 68T-42615-00-00 | .SEAL               | 1        |         |
| 7              | 68T-42652-00-00 | .HOOK               | 1        |         |
| 8              | 97595-05514-00  | .BOLT, WITH WASHER  | 2        |         |
| 9              | 68T-42649-00-00 | .HOLDER, CLAMP BAND | 1        |         |
| 10             | 66R-42678-20-00 | .GRAPHIC, REAR      | 1        |         |
| 11             | 68T-W0070-60-00 | .GRAPHIC SET        | 1        |         |
| 12             | 6AV-42686-00-00 | .EMBLEM, FRONT      | 1        |         |
| 13             | 69A-42675-00-00 | .GRAPHIC, SIDE 1    | 1        |         |
| 14             | 67F-13434-20-00 | LABEL, CAUTION      | 1        |         |

T9.9GPXR 0410 / CYLINDER CRANKCASE 1



  
6AV1100-G020


## Part List

T9.9GPXR 0410 / CYLINDER CRANKCASE 1

| REF<br>-<br>NO | PART<br>NUMBER  | PART NAME                       | QUANTITY | REMARKS |
|----------------|-----------------|---------------------------------|----------|---------|
| 1              | 6AU-W009B-00-1S | CYLINDER BLOCK ASSY             | 1        |         |
| 2              | 6AU-15100-00-00 | CRANKCASE ASSY                  | 1        |         |
| 3              | 99530-12016-00  | .PIN, DOWEL                     | 4        |         |
| 4              | 90119-08M29-00  | BOLT, WITH WASHER               | 6        |         |
| 5              | 68T-11351-00-00 | .GASKET, CYLINDER               | 1        |         |
| 6              | 66M-12411-01-00 | THERMOSTAT                      | 1        |         |
| 7              | 688-12412-00-00 | .SEAL, THERMOSTAT               | 1        |         |
| 8              | 68T-12413-00-1S | COVER, THERMOSTAT               | 1        |         |
| 9              | 6G8-12414-A0-00 | .GASKET, COVER                  | 1        |         |
| 10             | 90119-06MA2-00  | BOLT, WITH WASHER               | 2        |         |
| 11             | 68T-12481-00-00 | PIPE 1                          | 1        |         |
| 12             | 90465-11M10-00  | CLAMP                           | 1        |         |
| 13             | 6AU-41113-00-1S | OUTER COVER, EXHAUST            | 1        |         |
| 14             | 6E9-24378-00-00 | .PIPE, JOINT 3                  | 1        |         |
| 15             | 68T-41114-A0-00 | .GASKET, EXHAUST OUTER<br>COVER | 1        |         |
| 16             | 90119-06MA3-00  | BOLT, WITH WASHER               | 5        |         |
| 17             | 68T-12482-00-00 | PIPE 2                          | 1        |         |

## Part Notes

T9.9GPXR 0410 / CYLINDER CRANKCASE 1

| PART NUMBER  | NOTE TEXT  |
|--|--|
| 66M-12411-01-00  | OEM: This part number is among the Top 100 Most Popular Marine Maintenance Parts as of March 2014. |

©2014 Yamaha Motor Corporation, U.S.A. All rights reserved.

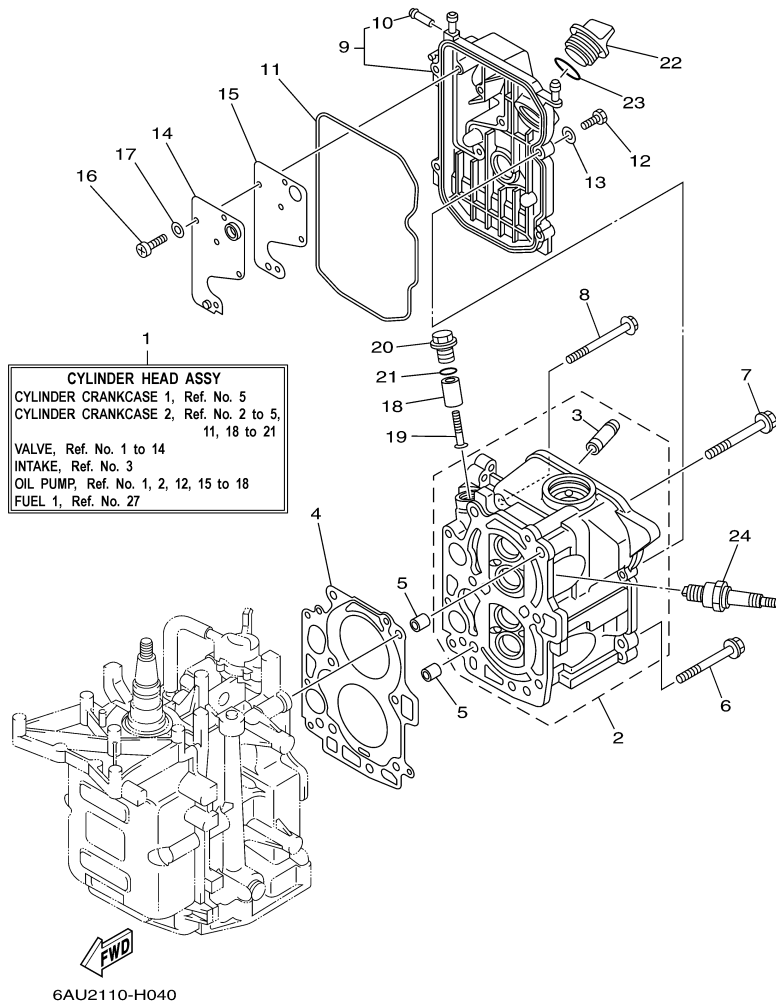


## Part List

T9.9GPXR 0410 / CRANKSHAFT PISTON

| REF<br>-<br>NO | PART<br>NUMBER  | PART NAME                       | QUANTITY | REMARKS  |
|----------------|-----------------|---------------------------------|----------|----------|
| 1              | 93102-30M22-00  | .OIL SEAL                       | 1        |          |
| 2              | 93101-25M69-00  | .OIL SEAL                       | 1        |          |
| 3              | 6AU-11411-00-00 | CRANKSHAFT                      | 1        |          |
| 4              | 68T-11416-01-00 | PLANE BEARING,<br>CRANKSHAFT 1  | 4        | UR BROWN |
| 4              | 68T-11416-21-00 | PLANE BEARING,<br>CRANKSHAFT 1  | 4        | UR BLUE  |
| 4              | 68T-11416-11-00 | PLANE BEARING,<br>CRANKSHAFT 1  | 4        | UR BLACK |
| 5              | 6AU-11650-00-00 | CONNECTING ROD ASSY             | 2        |          |
| 6              | 67D-11654-00-00 | .BOLT, CONNECTING ROD           | 2        |          |
| 7              | 6AU-11631-00-96 | PISTON (STD)                    | 2        |          |
| 7              | 6AU-11636-00-00 | PISTON (0.50MM O/S)             | 2        | AP       |
| 7              | 6AU-11635-00-00 | PISTON (0.25MM O/S)             | 2        | AP       |
| 8              | 68T-11603-01-00 | PISTON RING SET (STD)           | 2        |          |
| 8              | 68T-11605-01-00 | PISTON RING SET (0.50MM<br>O/S) | 2        | AP       |
| 8              | 68T-11604-01-00 | PISTON RING SET (0.25MM<br>O/S) | 2        | AP       |
| 9              | 68T-11633-00-00 | PIN, PISTON                     | 2        |          |
| 10             | 93450-15023-00  | CIRCLIP                         | 4        |          |

T9.9GPXR 0410 / CYLINDER CRANKCASE 2



## Part List

T9.9GPXR 0410 / CYLINDER CRANKCASE 2

| REF<br>-<br>NO | PART<br>NUMBER  | PART NAME                  | QUANTITY | REMARKS |
|----------------|-----------------|----------------------------|----------|---------|
| 1              | 6AU-W009A-01-1S | CYLINDER HEAD COMPLETE     | 1        |         |
| 2              | 6AU-11111-00-1S | HEAD, CYLINDER 1           | 1        |         |
| 3              | 6AU-11133-10-00 | .GUIDE, VALVE 1            | 4        |         |
| 4              | 68T-11181-00-00 | .GASKET, CYLINDER HEAD 1   | 1        |         |
| 5              | 99510-10114-00  | PIN, DOWEL                 | 2        |         |
| 6              | 90105-08M36-00  | BOLT, FLANGE               | 2        |         |
| 7              | 90105-08M78-00  | BOLT, FLANGE               | 4        |         |
| 8              | 90119-06049-00  | BOLT, WITH WASHER          | 3        |         |
| 9              | 68T-11191-00-1S | COVER, CYLINDER HEAD 1     | 1        |         |
| 10             | 650-24378-00-00 | .PIPE, JOINT 4             | 1        |         |
| 11             | 68T-11356-00-00 | .SEAL, CYLINDER 2          | 1        |         |
| 12             | 97095-06020-00  | BOLT                       | 4        |         |
| 13             | 92995-06600-00  | WASHER                     | 4        |         |
| 14             | 68T-11168-00-00 | COVER, BREATHER            | 1        |         |
| 15             | 68T-11169-A0-00 | .GASKET, BREATHER COVER    | 1        |         |
| 16             | 98507-04010-00  | SCREW, PAN HEAD            | 5        |         |
| 17             | 92907-04600-00  | WASHER                     | 5        |         |
| 18             | 6G8-11325-00-00 | ANODE                      | 1        |         |
| 19             | 97880-05025-00  | SCREW, PAN HEAD            | 1        |         |
| 20             | 6G8-11197-01-00 | PLUG, BLIND                | 1        |         |
| 21             | 93210-13M63-00  | .O-RING                    | 1        |         |
| 22             | 6G8-15363-00-00 | PLUG, OIL                  | 1        |         |
| 23             | 93210-24M79-00  | .O-RING                    | 1        |         |
| 24             | NGK-BR6HS-10-00 | PLUG, SPARK (NGK BR6HS-10) | 2        |         |



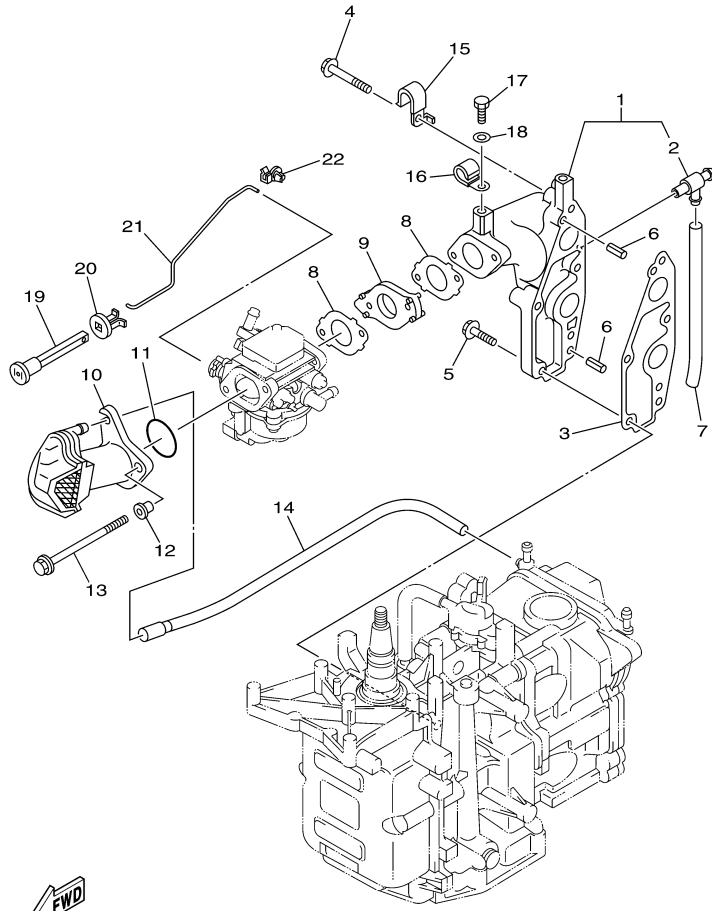


## Part List

T9.9GPXR 0410 / VALVE

| REF<br>-<br>NO | PART<br>NUMBER  | PART NAME                      | QUANTITY | REMARKS |
|----------------|-----------------|--------------------------------|----------|---------|
| 1              | 6AU-12111-00-00 | VALVE, INTAKE                  | 2        |         |
| 2              | 6AU-12121-00-00 | VALVE, EXHAUST                 | 2        |         |
| 3              | 68T-12116-00-00 | SEAT, VALVE SPRING             | 4        |         |
| 4              | 60R-12113-00-00 | SPRING, VALVE INNER            | 4        |         |
| 5              | 7NJ-12117-00-00 | RETAINER, VALVE SPRING         | 4        |         |
| 6              | 7NJ-12118-00-00 | LOCK, VALVE SPRING<br>RETAINER | 4        |         |
| 7              | 51Y-12119-00-00 | SEAL, VALVE STEM               | 4        |         |
| 8              | 68T-12146-00-00 | SHAFT, ROCKER                  | 1        |         |
| 9              | 90387-13M56-00  | COLLAR                         | 1        |         |
| 10             | 90387-14M03-00  | COLLAR                         | 3        |         |
| 11             | 90501-12M40-00  | SPRING, COMPRESSION            | 2        |         |
| 12             | 68T-12151-00-00 | ARM, VALVE ROCKER              | 4        |         |
| 13             | 6G8-12159-00-00 | SCREW, VALVE ADJUSTING         | 4        |         |
| 14             | 6G8-12158-00-00 | NUT, LOCK                      | 4        |         |

T9.9GPXR 0410 / INTAKE



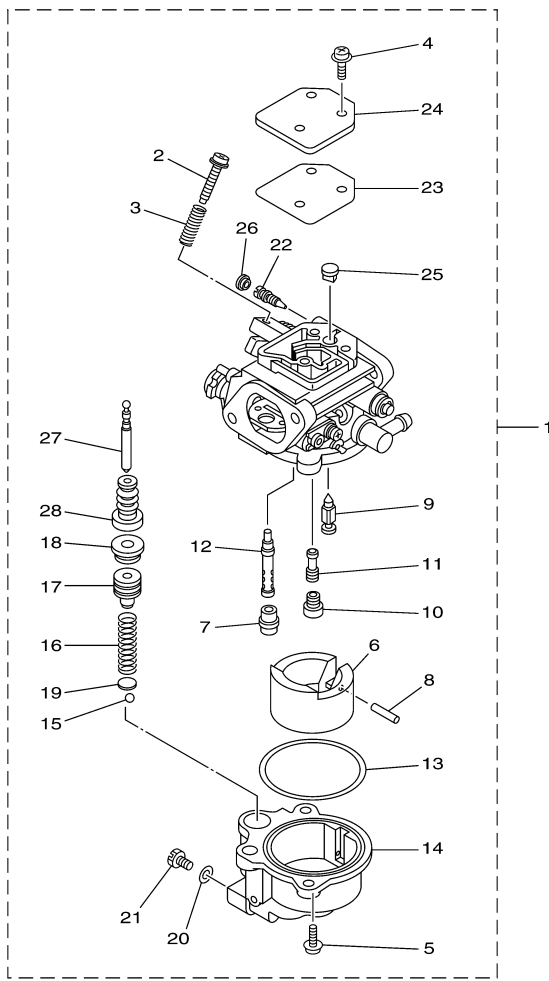
  
6AU1300-G060

## Part List

T9.9GPXR 0410 / INTAKE

| REF<br>-<br>NO | PART<br>NUMBER  | PART NAME             | QUANTITY | REMARKS      |
|----------------|-----------------|-----------------------|----------|--------------|
| 1              | 68T-13641-20-1S | MANIFOLD, INTAKE 1    | 1        | FLUSHING KIT |
| 2              | 67F-12482-00-00 | .PIPE 2               | 1        |              |
| 3              | 68T-13645-00-00 | .GASKET, MANIFOLD 1   | 1        |              |
| 4              | 90119-06MA5-00  | BOLT, WITH WASHER     | 3        |              |
| 5              | 90119-06MA3-00  | BOLT, WITH WASHER     | 2        |              |
| 6              | 91690-50014-00  | PIN, SPRING           | 2        |              |
| 7              | 90445-09M20-00  | HOSE (L95)            | 1        | FLUSHING KIT |
| 8              | 68T-13646-A0-00 | .GASKET, MANIFOLD 2   | 2        |              |
| 9              | 68T-14271-00-00 | INSULATOR             | 1        |              |
| 10             | 6AU-14440-00-00 | SILENCER ASSY, INTAKE | 1        |              |
| 11             | 93210-31MJ5-00  | .O-RING               | 1        |              |
| 12             | 90387-06M70-00  | COLLAR                | 2        |              |
| 13             | 97595-06585-00  | BOLT, WITH WASHER     | 2        |              |
| 14             | 68T-12483-00-00 | PIPE 3                | 1        |              |
| 15             | 90465-08M99-00  | CLAMP                 | 1        |              |
| 16             | 90465-08M83-00  | CLAMP                 | 1        | FLUSHING KIT |
| 19             | 6H4-41271-02-00 | KNOB, CHOKE           | 1        |              |
| 20             | 689-41273-00-00 | GROMMET               | 1        |              |
| 21             | 68T-41256-00-00 | ROD, CHOKE 1          | 1        |              |
| 22             | 6J8-41262-00-00 | JOINT, CHOKE LEVER    | 1        |              |

T9.9GPXR 0410 / CARBURETOR



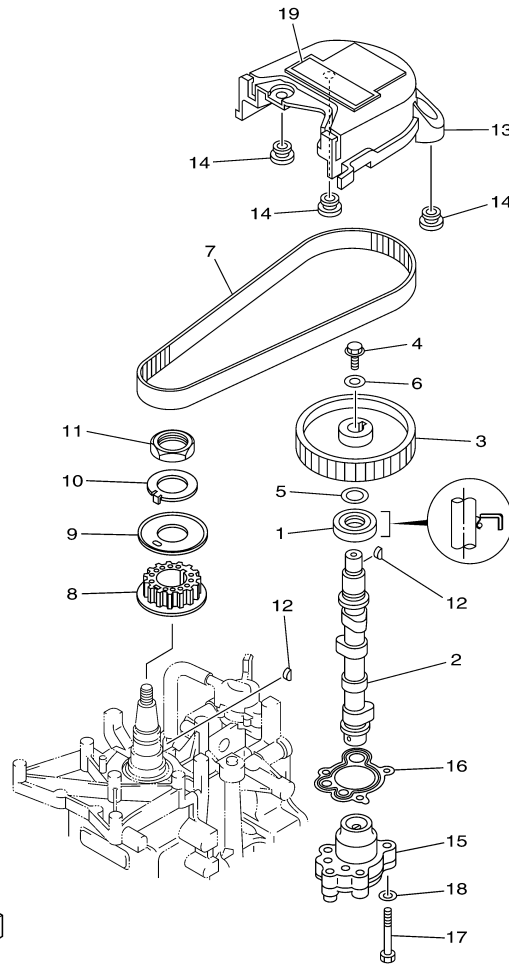
 6AU3110-J070

## Part List

T9.9GPXR 0410 / CARBURETOR

| REF<br>-<br>NO | PART<br>NUMBER  | PART NAME              | QUANTITY | REMARKS |
|----------------|-----------------|------------------------|----------|---------|
| 1              | 6AU-14301-41-00 | CARBURETOR ASSY 1      | 1        |         |
| 2              | 6E5-14321-00-00 | .SCREW, THROTTLE       | 1        |         |
| 3              | 6J8-14334-00-00 | .SPRING, THROTTLE      | 1        |         |
| 4              | 97980-04110-00  | .SCREW, WITH WASHER    | 3        |         |
| 5              | 97980-04112-00  | .SCREW, WITH WASHER    | 2        |         |
| 6              | 6AU-14385-00-00 | .FLOAT                 | 1        |         |
| 7              | 67D-14966-00-00 | .RUBBER CAP            | 1        |         |
| 8              | 67D-14386-00-00 | .PIN, FLOAT            | 1        |         |
| 9              | 68T-14546-00-00 | .VALVE, NEEDLE         | 1        |         |
| 10             | 6AU-1492E-46-00 | .JET, MAIN (#92)       | 1        |         |
| 11             | 6AU-1492F-20-00 | .JET, AIR SLOW (#40)   | 1        |         |
| 12             | 6AU-1492A-00-00 | .NOZZLE, MAIN          | 1        |         |
| 13             | 6AU-14984-00-00 | .GASKET, FLOAT CHAMBER | 1        |         |
| 14             | 6AU-14982-00-00 | .BODY, FLOAT CHAMBER   | 1        |         |
| 15             | 6AU-1431B-00-00 | .BALL                  | 1        |         |
| 16             | 6AU-14335-40-00 | .SPRING, PLUNGER       | 1        |         |
| 17             | 6AU-14371-40-00 | .PLUNGER, STARTER      | 1        |         |
| 18             | 6AU-1431A-30-00 | .GUIDE                 | 1        |         |
| 19             | 6AU-14918-00-00 | .RING                  | 1        |         |
| 20             | 6J8-14959-00-00 | .GASKET                | 1        |         |
| 21             | 66T-14991-00-00 | .PLUG, DRAIN           | 1        |         |
| 22             | 67D-14323-00-00 | .SCREW, AIR ADJUSTING  | 1        |         |
| 23             | 67D-14536-00-00 | .GASKET                | 1        |         |
| 24             | 67D-14527-00-00 | .PLATE                 | 1        |         |
| 25             | 68T-14126-00-00 | .PLUG                  | 1        |         |
| 26             | 67D-1432A-00-00 | .PLUG                  | 1        |         |
| 27             | 6AU-14379-30-00 | .ROD, STARTER          | 1        |         |
| 28             | 6AU-14373-00-00 | .COVER, PLUNGER CAP    | 1        |         |

T9.9GPXR 0410 / OIL PUMP



6AU4110-K080

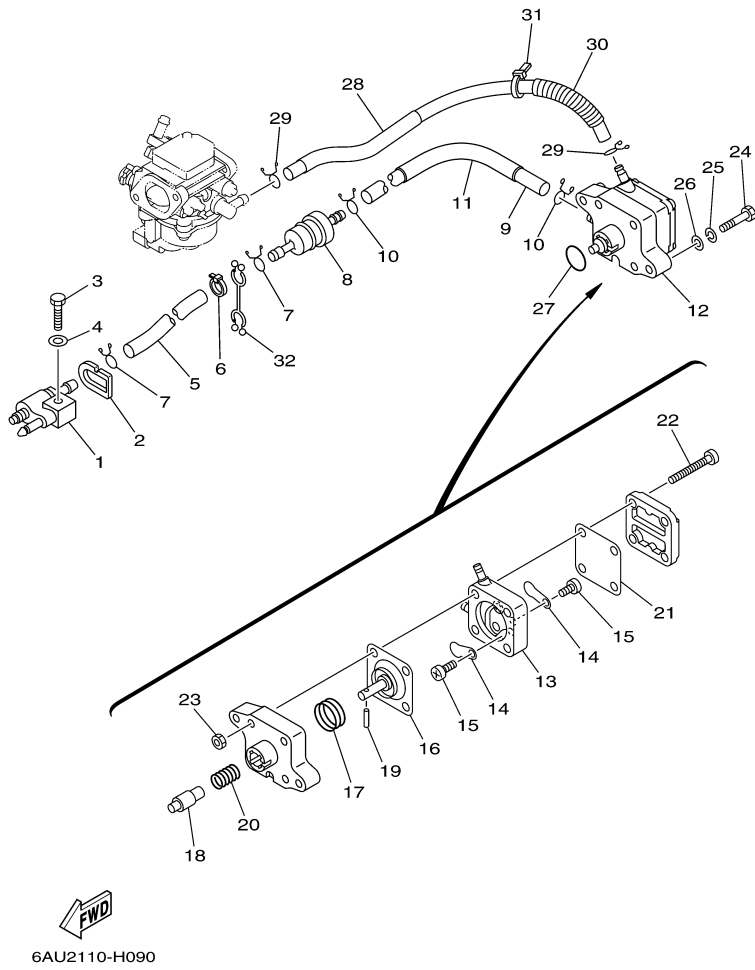
## Part List

T9.9GPXR 0410 / OIL PUMP

| REF<br>-<br>NO | PART<br>NUMBER  | PART NAME           | QUANTITY | REMARKS |
|----------------|-----------------|---------------------|----------|---------|
| 1              | 93102-18M21-00  | .OIL SEAL           | 1        |         |
| 2              | 68T-12171-00-00 | CAMSHAFT 1          | 1        |         |
| 3              | 66M-11537-00-94 | GEAR, DRIVEN        | 1        |         |
| 4              | 90105-06M14-00  | BOLT FLANGE         | 1        |         |
| 5              | 90201-13201-00  | WASHER, PLATE       | 1        |         |
| 6              | 90201-06M94-00  | WASHER, PLATE       | 1        |         |
| 7              | 68T-46241-00-00 | BELT                | 1        |         |
| 8              | 68T-11536-00-00 | GEAR, DRIVE         | 1        |         |
| 9              | 68T-11557-00-00 | WASHER 1            | 1        |         |
| 10             | 6G8-11587-01-00 | WASHER, LOCK        | 1        |         |
| 11             | 90170-24M09-00  | NUT                 | 1        |         |
| 12             | 90280-03M01-00  | .KEY, WOODRUFF      | 2        |         |
| 13             | 6AU-46297-00-00 | COVER, DUST         | 1        |         |
| 14             | 90480-10627-00  | GROMMET             | 3        |         |
| 15             | 68T-13300-00-00 | OIL PUMP ASSY       | 1        |         |
| 16             | 68T-13329-00-00 | .GASKET, PUMP COVER | 1        |         |
| 17             | 97095-06030-00  | BOLT                | 3        |         |
| 18             | 92995-06600-00  | WASHER              | 3        |         |
| 19             | 6AU-13437-40-00 | MARK, CAUTION       | 1        |         |



T9.9GPXR 0410 / FUEL 1



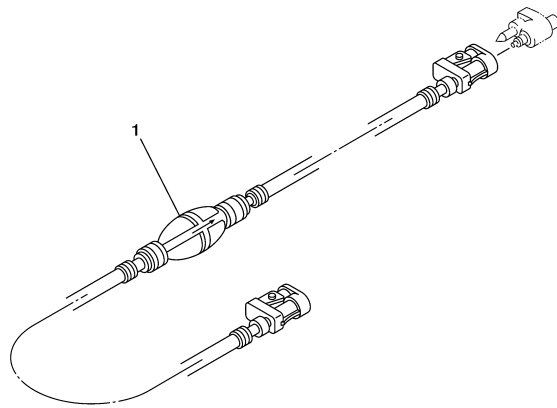
©2014 Yamaha Motor Corporation, U.S.A. All rights reserved.

## Part List

T9.9GPXR 0410 / FUEL 1

| REF<br>-<br>NO | PART<br>NUMBER  | PART NAME               | QUANTITY | REMARKS |
|----------------|-----------------|-------------------------|----------|---------|
| 1              | 6G1-24304-02-00 | FUEL PIPE JOINT COMP. 1 | 1        |         |
| 2              | 61N-24329-00-00 | SEAL                    | 1        |         |
| 3              | 97095-06025-00  | BOLT                    | 1        |         |
| 4              | 92995-06600-00  | WASHER                  | 1        |         |
| 5              | 90445-10046-00  | HOSE (L295)             | 1        |         |
| 6              | 90465-11M10-00  | CLAMP                   | 1        |         |
| 7              | 90467-09M09-00  | CLIP                    | 2        |         |
| 8              | 68T-24251-01-00 | STRAINER 1              | 1        |         |
| 9              | 90445-10M50-00  | HOSE (L170)             | 1        |         |
| 10             | 90467-09M09-00  | CLIP                    | 2        |         |
| 11             | 90445-16010-00  | HOSE (L140)             | 1        |         |
| 12             | 68T-24410-01-00 | FUEL PUMP ASSY          | 1        |         |
| 13             | 66M-24413-01-00 | .BODY 2                 | 1        |         |
| 14             | 6A0-24421-01-00 | .VALVE, CHECK           | 2        |         |
| 15             | 6E7-14325-00-00 | .SCREW, PAN HEAD        | 2        |         |
| 16             | 66M-24411-01-00 | .DIAPHRAGM              | 1        |         |
| 17             | 66M-24423-00-00 | .SPRING, DIAPHRAGM      | 1        |         |
| 18             | 66M-13131-00-00 | .PLUNGER                | 1        |         |
| 19             | 66M-24374-00-00 | .PIN                    | 1        |         |
| 20             | 66M-24454-00-00 | .SPRING                 | 1        |         |
| 21             | 66M-24471-01-00 | .DIAPHRAGM              | 1        |         |
| 22             | 66M-24444-00-00 | .SCREW                  | 4        |         |
| 23             | 95380-04600-00  | .NUT                    | 4        |         |
| 24             | 97095-06030-00  | BOLT                    | 2        |         |
| 25             | 92995-06100-00  | WASHER, SPRING          | 2        |         |
| 26             | 92995-06600-00  | WASHER                  | 2        |         |
| 27             | 93210-20M65-00  | .O-RING                 | 1        |         |
| 28             | 6AU-24311-00-00 | PIPE, FUEL 1            | 1        |         |
| 29             | 90467-09M09-00  | CLIP                    | 2        |         |
| 30             | 90446-14M66-00  | HOSE (L40)              | 1        |         |
| 31             | 90465-11M10-00  | CLAMP                   | 1        |         |
| 32             | 90464-10M53-00  | CLAMP                   | 1        |         |

T9.9GPXR 0410 / FUEL 2



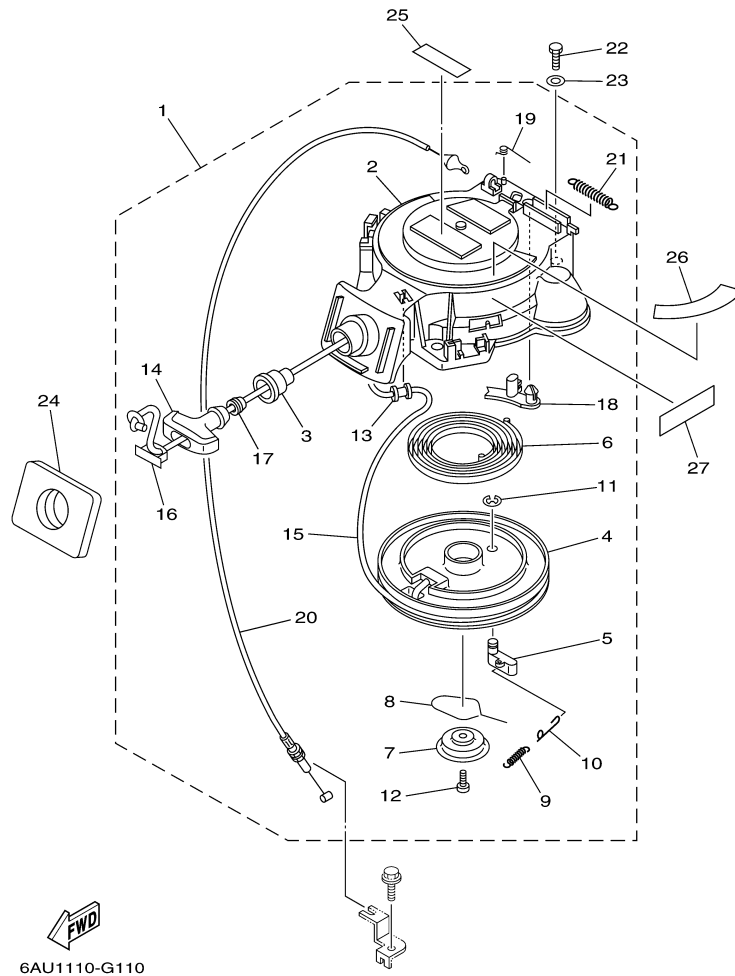
6BP1110-H100

## Part List

T9.9GPXR 0410 / FUEL 2

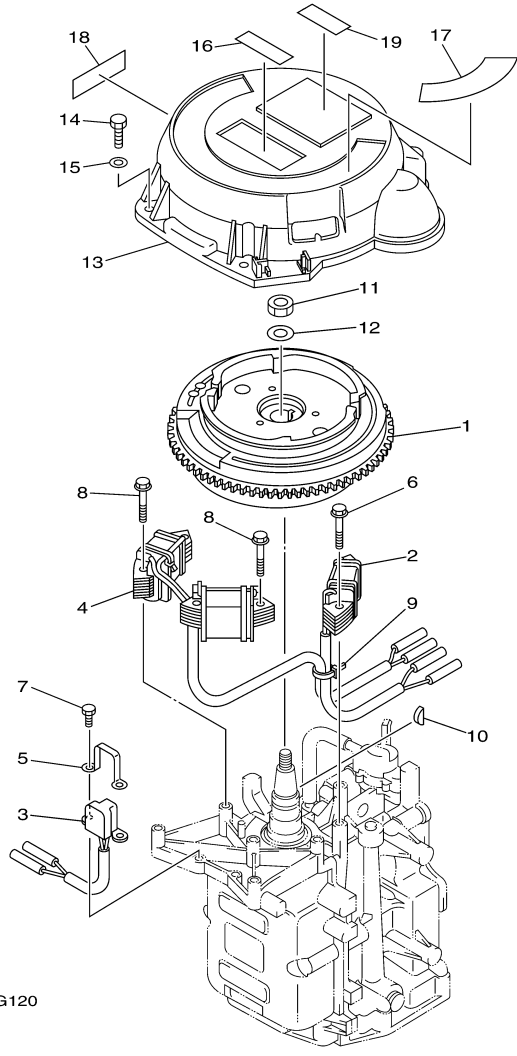
| REF<br>-<br>NO | PART<br>NUMBER  | PART NAME         | QUANTITY | REMARKS |
|----------------|-----------------|-------------------|----------|---------|
| 1              | 6YK-24306-60-00 | FUEL PIPE COMP. 1 | 1        | AP      |

T9.9GPXR 0410 / STARTER



©2014 Yamaha Motor Corporation, U.S.A. All rights reserved.

T9.9GPXR 0410 / GENERATOR



 6AU1110-G120

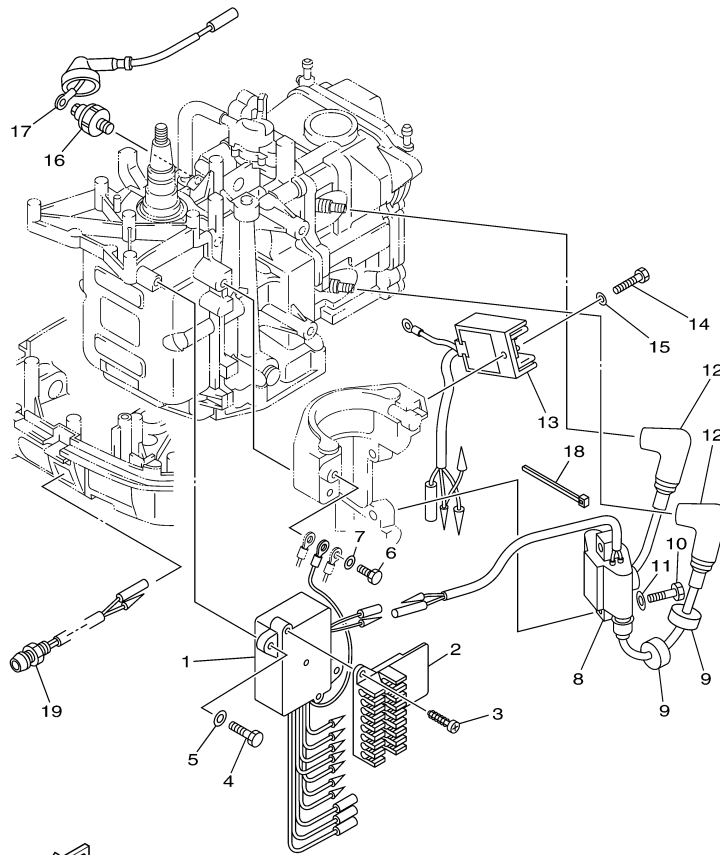
©2014 Yamaha Motor Corporation, U.S.A. All rights reserved.

## Part List

T9.9GPXR 0410 / GENERATOR

| REF<br>-<br>NO | PART<br>NUMBER  | PART NAME          | QUANTITY | REMARKS |
|----------------|-----------------|--------------------|----------|---------|
| 1              | 68T-85550-11-00 | ROTOR ASSY         | 1        |         |
| 2              | 68T-85520-00-00 | COIL, CHARGE       | 1        |         |
| 3              | 68T-85580-01-00 | COIL, PULSER       | 1        |         |
| 4              | 68T-85533-10-00 | COIL, LIGHTING     | 1        |         |
| 5              | 6H2-85582-00-00 | ATTACHMENT, PULSER | 1        |         |
| 6              | 90119-06014-00  | BOLT, WITH WASHER  | 2        |         |
| 7              | 97095-05010-00  | BOLT               | 2        |         |
| 8              | 90119-06MA1-00  | BOLT, WITH WASHER  | 4        |         |
| 9              | 90465-11M10-00  | CLAMP              | 1        |         |
| 10             | 90280-04M06-00  | KEY, WOODRUFF      | 1        |         |
| 11             | 90170-12066-00  | NUT                | 1        |         |
| 12             | 90201-12472-00  | WASHER, PLATE      | 1        |         |
| 13             | 6AV-81337-00-00 | COVER, FLYWHEEL    | 1        |         |
| 14             | 97095-06020-00  | BOLT               | 3        |         |
| 15             | 92995-06600-00  | WASHER             | 3        |         |
| 16             | 6AH-81995-40-00 | LABEL, WARNING     | 1        |         |
| 17             | 68T-85711-40-00 | MARK, CAUTION      | 1        |         |
| 18             | 6AH-81994-40-00 | LABEL, SAFETY      | 1        |         |
| 19             | 6AG-81996-00-00 | MARK               | 1        |         |

T9.9GPXR 0410 / ELECTRICAL 1



 6AV1100-G130

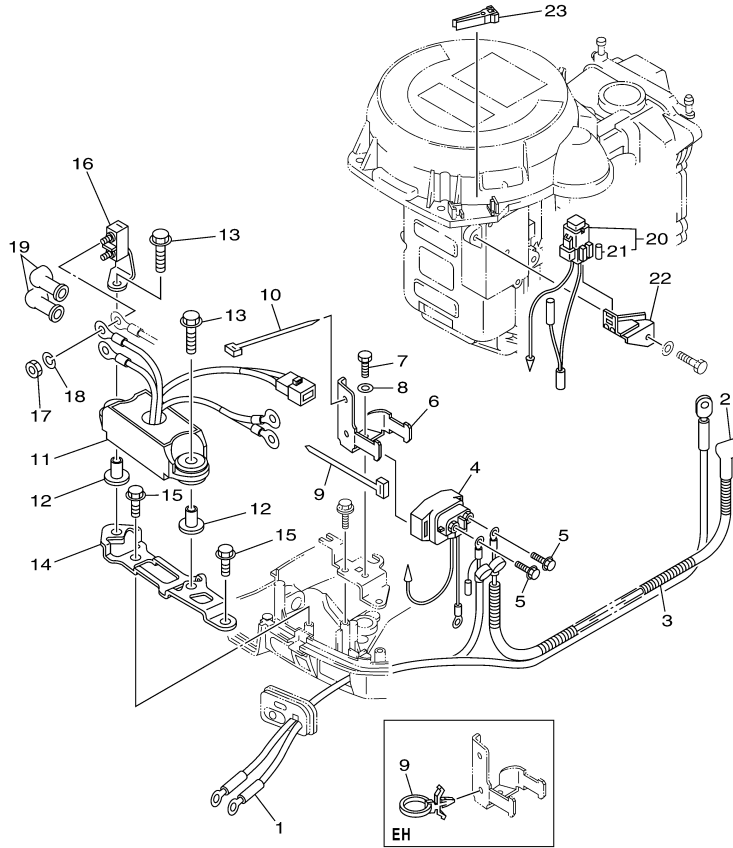


## Part List

T9.9GPXR 0410 / ELECTRICAL 1

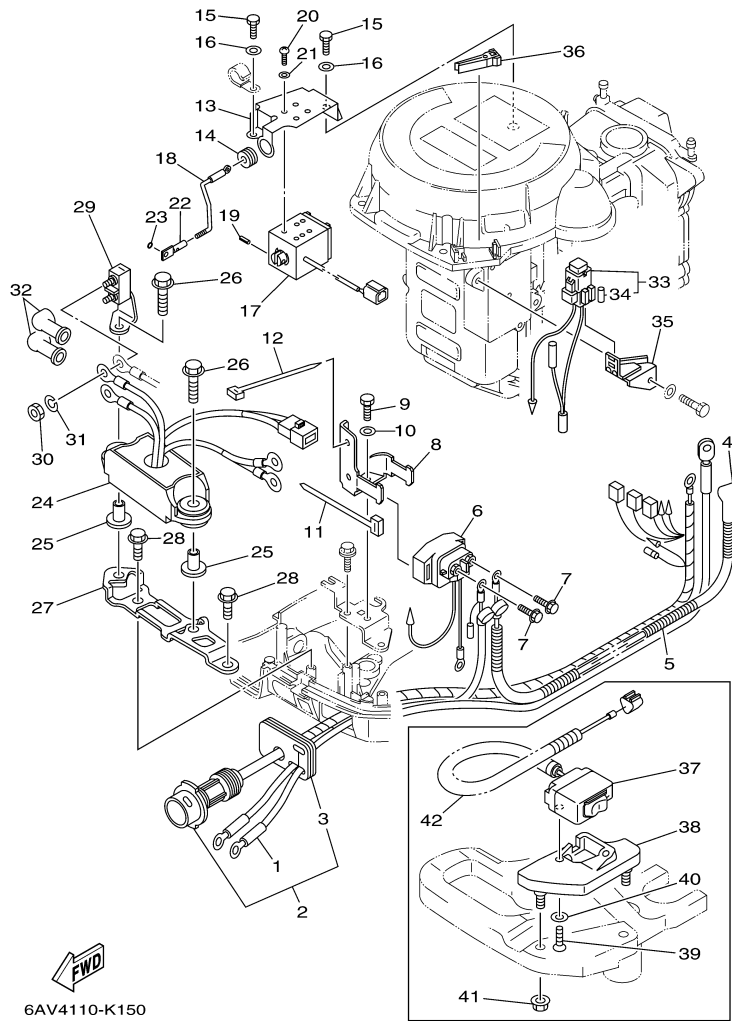
| REF<br>-<br>NO | PART<br>NUMBER  | PART NAME                      | QUANTITY | REMARKS |
|----------------|-----------------|--------------------------------|----------|---------|
| 1              | 68T-85540-00-00 | C.D.I. UNIT ASSY               | 1        |         |
| 2              | 68T-82522-00-00 | CLAMP, COUPLER                 | 1        |         |
| 3              | 97780-40512-00  | SCREW, TAPPING                 | 2        |         |
| 4              | 97095-06020-00  | BOLT                           | 2        |         |
| 5              | 92995-06600-00  | WASHER                         | 2        |         |
| 6              | 97095-06012-00  | BOLT                           | 1        |         |
| 7              | 92995-06600-00  | WASHER                         | 1        |         |
| 8              | 680-85570-02-00 | IGNITION COIL ASSY             | 1        |         |
| 9              | 90480-25003-00  | GROMMET                        | 3        |         |
| 10             | 97095-06025-00  | BOLT                           | 2        |         |
| 11             | 92995-06600-00  | WASHER                         | 2        |         |
| 12             | 6E3-82370-21-00 | PLUG CAP ASSY                  | 2        |         |
| 13             | 68T-81960-00-00 | RECTIFIER & REGULATOR<br>ASSY  | 1        |         |
| 14             | 97095-06012-00  | BOLT                           | 1        |         |
| 15             | 92995-06600-00  | WASHER                         | 1        |         |
| 16             | 67F-82504-00-00 | OIL PRESSURE SWITCH ASSY       | 1        |         |
| 17             | 68T-82127-10-00 | WIRE, LEAD 2                   | 1        |         |
| 18             | 90465-11M10-00  | CLAMP                          | 1        |         |
| 19             | 68T-85410-00-00 | EMERGENCY SIGNAL LIGHT<br>ASSY | 1        |         |

T9.9GPXR 0410 / ELECTRICAL 2



  
6AV4110-K140

T9.9GPXR 0410 / ELECTRICAL 3




## Part List

T9.9GPXR 0410 / ELECTRICAL 3

| REF - NO | PART NUMBER     | PART NAME               | QUANTITY | REMARKS |
|----------|-----------------|-------------------------|----------|---------|
| 1        | 69G-82105-00-00 | BATTERY CABLE (L: 3.0M) | 1        |         |
| 2        | 69G-82590-00-00 | WIRE HARNESS ASSY       | 1        |         |
| 3        | 69G-42724-60-00 | .GROMMET                | 1        |         |
| 4        | 6G8-82117-00-00 | WIRE, LEAD              | 1        |         |
| 5        | 90446-10M86-00  | HOSE (L140)             | 1        |         |
| 6        | 68T-81940-00-00 | STARTER RELAY ASSY      | 1        |         |
| 7        | 97595-06610-00  | BOLT, WITH WASHER       | 2        |         |
| 8        | 68T-81945-01-00 | PLATE, SWITCH FITTING   | 1        |         |
| 9        | 97095-06012-00  | BOLT                    | 1        |         |
| 10       | 92995-06600-00  | WASHER                  | 1        |         |
| 11       | 90465-13M11-00  | CLAMP                   | 1        |         |
| 12       | 90465-13M11-00  | CLAMP                   | 1        |         |
| 13       | 68T-86112-00-00 | STAY, SOLENOID          | 1        |         |
| 14       | 90480-13018-00  | GROMMET                 | 1        |         |
| 15       | 97095-06012-00  | BOLT                    | 2        |         |
| 16       | 92995-06600-00  | WASHER                  | 2        |         |
| 17       | 68T-86111-00-00 | COIL, SOLENOID          | 1        |         |
| 18       | 68T-41237-00-00 | JOINT, LINK             | 1        |         |
| 19       | 91690-30010-00  | PIN, SPRING             | 1        |         |
| 20       | 97880-04008-00  | SCREW, PAN HEAD         | 4        |         |
| 21       | 92990-04600-00  | WASHER, PLATE           | 4        |         |
| 22       | 68T-86117-00-00 | HOOK, WIRE PULL         | 1        |         |
| 23       | 93210-03261-00  | O-RING                  | 1        |         |
| 24       | 69G-81950-00-00 | RELAY ASSY              | 1        |         |
| 25       | 90387-06M03-00  | COLLAR                  | 2        |         |
| 26       | 90119-06M56-00  | BOLT, WITH WASHER       | 2        |         |
| 27       | 69G-81948-01-00 | BRACKET                 | 1        |         |
| 28       | 90109-06M86-00  | BOLT                    | 2        |         |
| 29       | 69G-81925-00-00 | TERMINAL                | 1        |         |
| 30       | 90170-06M30-00  | NUT                     | 2        |         |
| 31       | 90204-06M00-00  | WASHER, SPRING          | 2        |         |
| 32       | 6G5-82119-00-00 | COVER, LEAD WIRE        | 2        |         |
| 33       | 68T-82150-00-00 | FUSE HOLDER ASSY        | 1        |         |
| 34       | 66V-82151-00-00 | .FUSE (10A-BL)          | 2        |         |
| 35       | 68T-82171-01-00 | STAY, FUSE BOX          | 1        |         |
| 36       | 67F-2812A-00-00 | .PULLER, FUSE           | 1        |         |
| 37       | 69G-82563-10-00 | TRIM & TILT SWITCH ASSY | 1        |         |
| 38       | 69G-83773-10-00 | BRACKET, SWITCH         | 1        |         |
| 39       | 97880-06020-00  | SCREW, PAN HEAD         | 2        |         |
| 40       | 92990-06600-00  | WASHER, PLATE           | 2        |         |
| 41       | 90179-06M24-00  | NUT                     | 2        |         |
| 42       | 90447-07006-00  | TUBE                    | 1        |         |

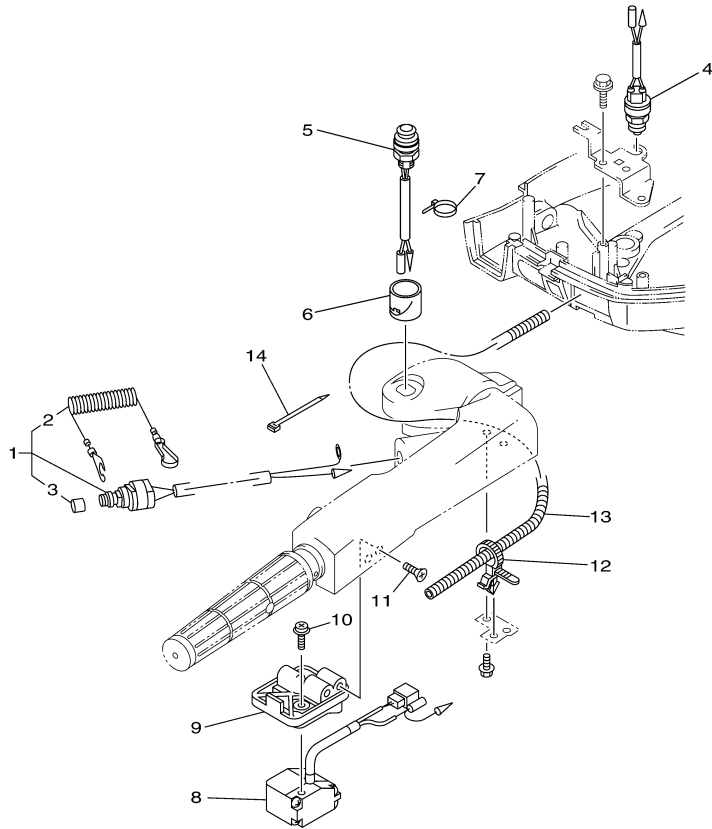
## Part Notes

T9.9GPXR 0410 / ELECTRICAL 3

| PART NUMBER  | NOTE TEXT  |
|--|--|
| 92990-06600-00  | OEM: This part number is among the Top 100 Most Popular Marine Maintenance Parts as of March 2014. |

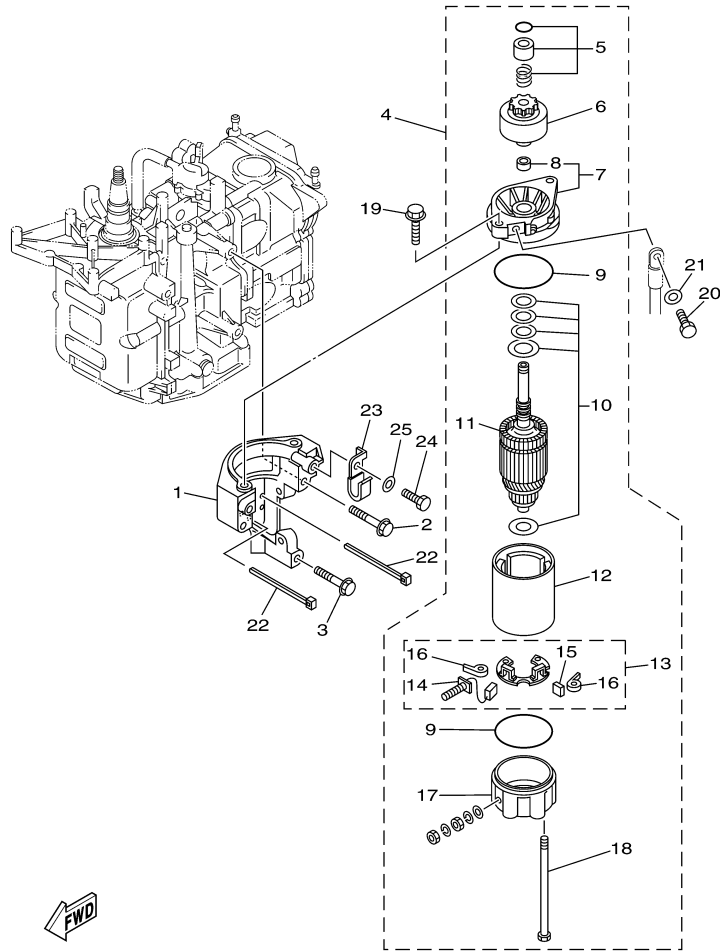
©2014 Yamaha Motor Corporation, U.S.A. All rights reserved.

T9.9GPXR 0410 / ELECTRICAL 4



  
6AV3110-J160

T9.9GPXR 0410 / STARTING MOTOR



  
6AU1100-G160

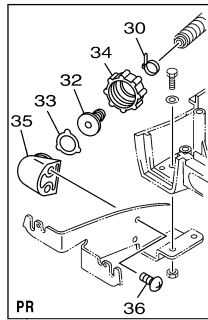
## Part List

T9.9GPXR 0410 / STARTING MOTOR

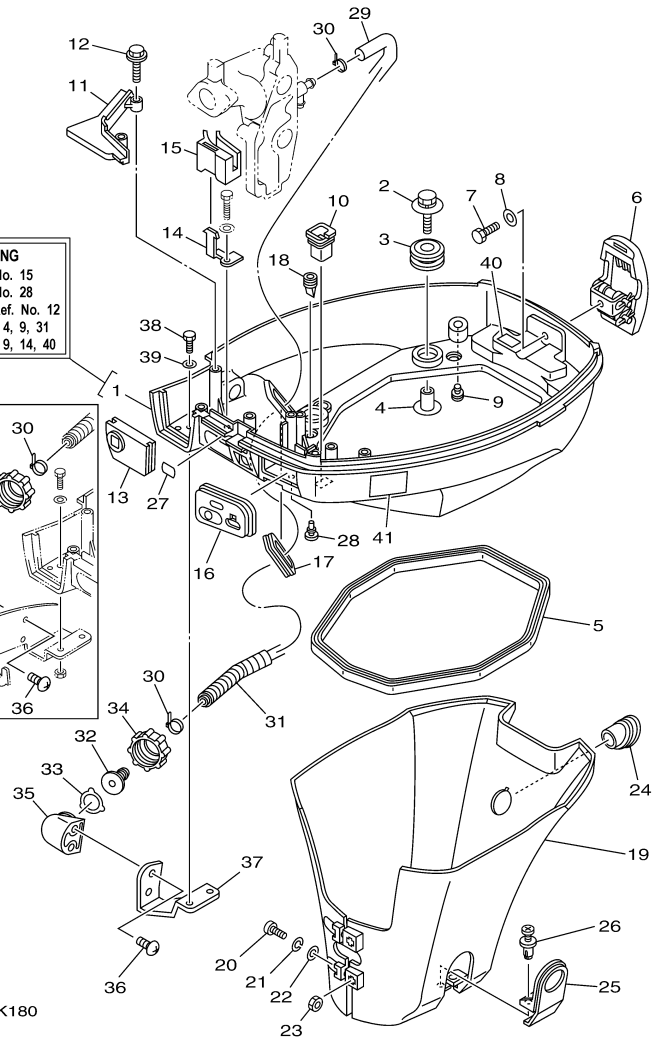
| REF<br>-<br>NO | PART<br>NUMBER  | PART NAME                     | QUANTITY | REMARKS |
|----------------|-----------------|-------------------------------|----------|---------|
| 1              | 68T-81822-01-94 | BRACKET, STARTING MOTOR       | 1        |         |
| 2              | 90119-08046-00  | BOLT, WITH WASHER             | 2        |         |
| 3              | 90119-08020-00  | BOLT, WITH WASHER             | 1        |         |
| 4              | 68T-81800-00-00 | STARTING MOTOR ASSY           | 1        |         |
| 5              | 68T-81857-00-00 | .RETAINER                     | 1        |         |
| 6              | 689-81807-12-00 | .GEAR ASSY, STARTING<br>MOTOR | 1        |         |
| 7              | 6F5-81830-10-00 | .FRONT BRACKET ASSY           | 1        |         |
| 8              | 689-81831-00-00 | ..METAL, FRONT                | 1        |         |
| 9              | 689-81847-11-00 | .O-RING                       | 2        |         |
| 10             | 689-81809-11-00 | .WASHER KIT                   | 1        |         |
| 11             | 689-81850-11-00 | .ARMATURE ASSY                | 1        |         |
| 12             | 689-81810-11-00 | .STATOR ASSY                  | 1        |         |
| 13             | 689-81840-11-00 | .BRUSH HOLDER ASSY            | 1        |         |
| 14             | 689-81811-11-00 | ..BRUSH 1                     | 1        |         |
| 15             | 689-81812-11-00 | ..BRUSH 2                     | 1        |         |
| 16             | 689-81813-10-00 | ..SPRING, BRUSH               | 2        |         |
| 17             | 689-81820-11-00 | .REAR BRACKET ASSY            | 1        |         |
| 18             | 689-81826-10-00 | .BOLT                         | 2        |         |
| 19             | 90119-08M76-00  | BOLT, WITH WASHER             | 2        |         |
| 20             | 97095-08016-00  | BOLT                          | 1        |         |
| 21             | 92995-08600-00  | WASHER                        | 1        |         |
| 22             | 90465-11M10-00  | CLAMP                         | 2        |         |
| 23             | 90465-08M99-00  | CLAMP                         | 1        |         |
| 24             | 97095-06012-00  | BOLT                          | 1        |         |
| 25             | 92995-06600-00  | WASHER                        | 1        |         |

T9.9GPXR 0410 / BOTTOM COWLING

**BOTTOM COWLING**  
ELECTRICAL 2, Ref. No. 15  
ELECTRICAL 3, Ref. No. 28  
BOTTOM COWLING, Ref. No. 12  
CONTROL 1, Ref. No. 4, 9, 31  
CONTROL 2, Ref. No. 9, 14, 40



  
6AV4110-K180



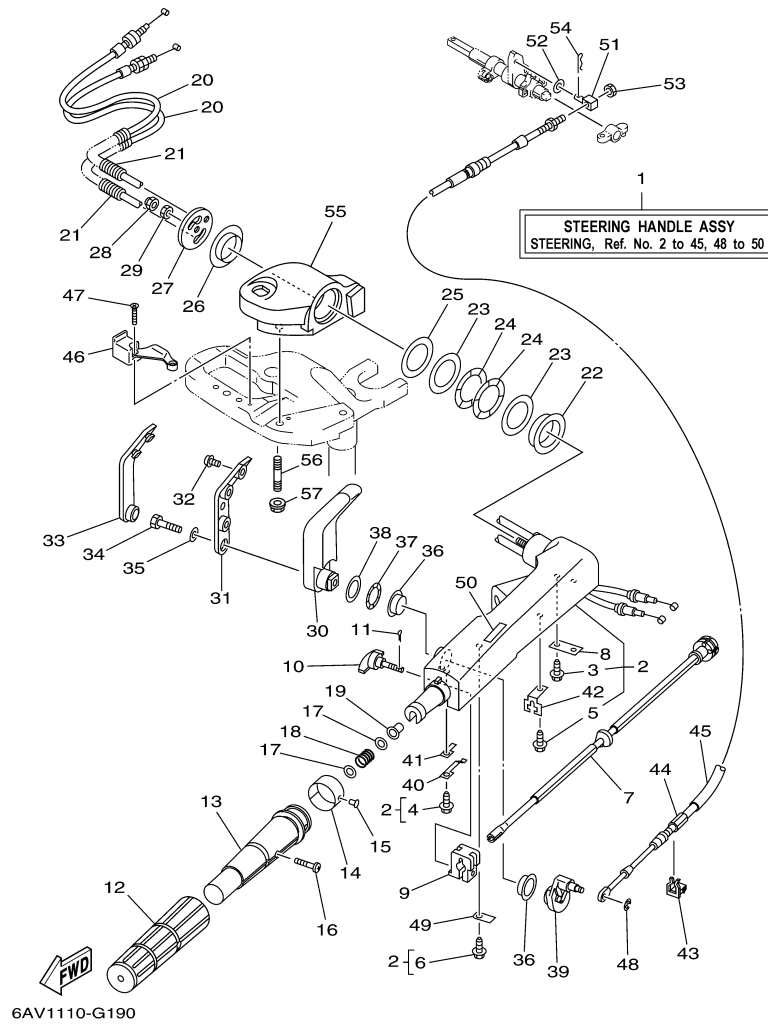


## Part List

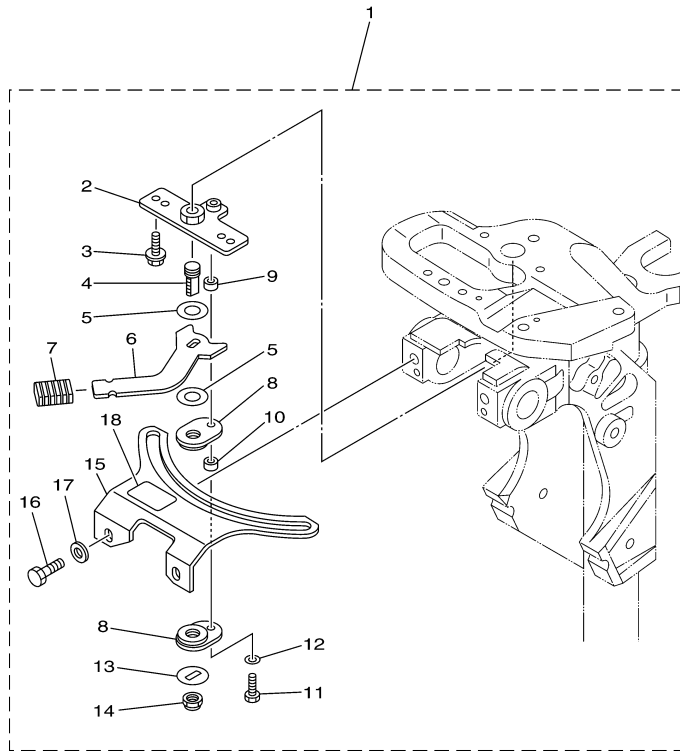
T9.9GPXR 0410 / BOTTOM COWLING

| REF<br>-<br>NO | PART<br>NUMBER  | PART NAME                | QUANTITY | REMARKS           |
|----------------|-----------------|--------------------------|----------|-------------------|
| 1              | 68T-42710-01-4D | BOTTOM COWLING ASSY      | 1        | WITH TAPPING BOLT |
| 2              | 68F-85119-00-00 | BOLT                     | 4        |                   |
| 3              | 90480-21M82-00  | GROMMET                  | 4        |                   |
| 4              | 90387-06176-00  | COLLAR                   | 4        |                   |
| 5              | 68T-42716-10-00 | RUBBER, SEAL 1           | 1        |                   |
| 6              | 6AU-42801-00-00 | COWLING CLAMP COMP.      | 1        |                   |
| 7              | 97095-06012-00  | BOLT                     | 1        |                   |
| 8              | 92995-06600-00  | WASHER                   | 1        |                   |
| 9              | 6BL-44391-00-00 | NIPPLE, HOSE             | 1        |                   |
| 10             | 682-42727-00-00 | GROMMET                  | 1        |                   |
| 11             | 68T-42738-00-4D | PLATE, FITTING           | 1        |                   |
| 12             | 90109-06M81-00  | BOLT                     | 2        |                   |
| 13             | 68T-42725-10-00 | .GROMMET                 | 1        |                   |
| 17             | 69G-42726-00-00 | GROMMET                  | 1        | FLUSHING KIT      |
| 18             | 65W-42717-00-00 | RUBBER, SEAL 2           | 2        |                   |
| 19             | 68T-42741-00-00 | APRON                    | 1        |                   |
| 20             | 97885-06030-00  | SCREW, PAN HEAD          | 2        |                   |
| 21             | 92995-06100-00  | WASHER, SPRING           | 2        |                   |
| 22             | 92995-06600-00  | WASHER                   | 2        |                   |
| 23             | 95380-06600-00  | NUT, HEXAGON             | 2        |                   |
| 24             | 68T-42717-00-00 | RUBBER, SEAL 2           | 1        |                   |
| 25             | 68T-42771-00-00 | APRON                    | 1        |                   |
| 26             | 90338-06M20-00  | PLUG                     | 2        |                   |
| 27             | 65W-84342-00-00 | SEAT, EMBLEM             | 1        |                   |
| 28             | 90480-06M19-00  | GROMMET                  | 1        |                   |
| 29             | 6E5-12481-00-00 | PIPE 1                   | 1        | FLUSHING KIT      |
| 30             | 90465-11M10-00  | CLAMP                    | 2        | FLUSHING KIT      |
| 31             | 90447-13M00-00  | TUBE                     | 1        | FLUSHING KIT      |
| 32             | 6R3-12582-00-00 | JOINT, HOSE 2            | 1        | FLUSHING KIT      |
| 33             | 6R3-12583-00-00 | GASKET, HOSE JOINT       | 1        | FLUSHING KIT      |
| 34             | 6R3-12581-00-00 | JOINT, HOSE 1            | 1        | FLUSHING KIT      |
| 35             | 68T-12572-00-00 | ADAPTER                  | 1        | FLUSHING KIT      |
| 36             | 90167-06002-00  | SCREW, TAPPING           | 2        | FLUSHING KIT      |
| 40             | 6H8-42791-10-00 | MARK 1                   | 1        |                   |
| 41             | 6AH-42794-40-00 | LABEL, WARNING (GENERAL) | 1        |                   |

T9.9GPXR 0410 / STEERING

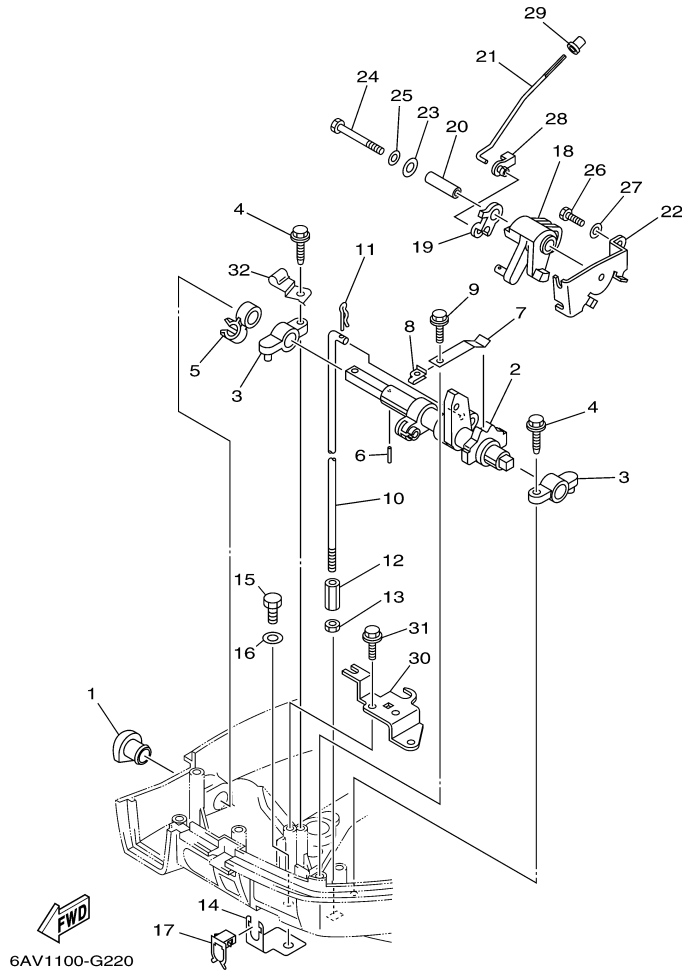


T9.9GPXR 0410 / STEERING FRICTION



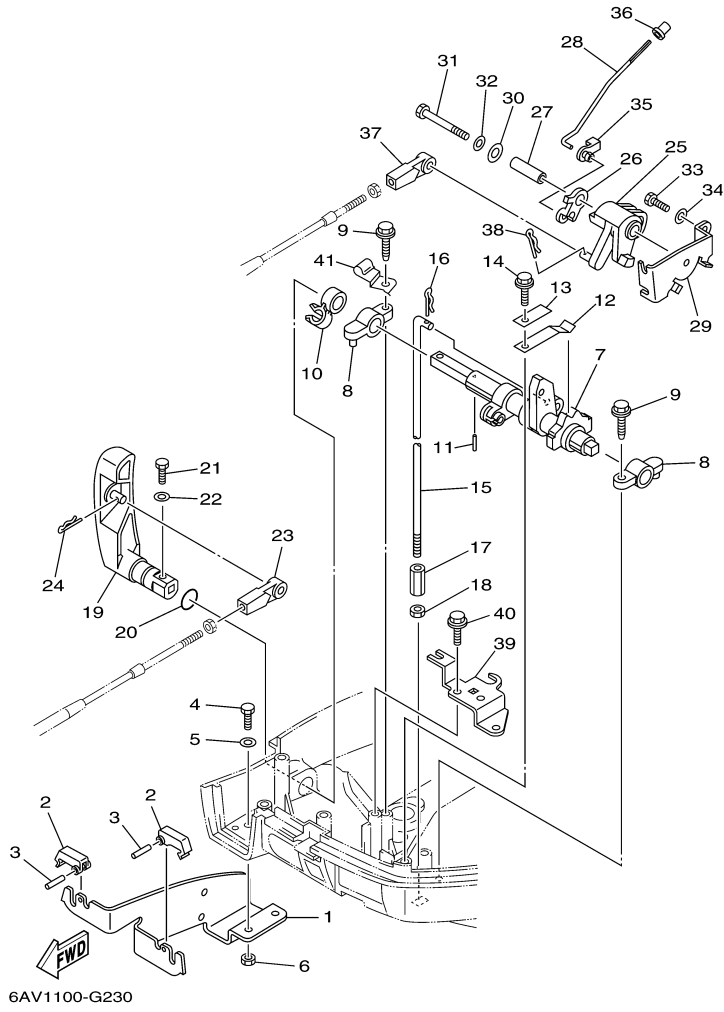
6AU1100-G190

T9.9GPXR 0410 / CONTROL 1



©2014 Yamaha Motor Corporation, U.S.A. All rights reserved.

T9.9GPXR 0410 / CONTROL 2



©2014 Yamaha Motor Corporation, U.S.A. All rights reserved.



## Part List

T9.9GPXR 0410 / CONTROL 2

| REF<br>-<br>NO | PART<br>NUMBER  | PART NAME                  | QUANTITY | REMARKS |
|----------------|-----------------|----------------------------|----------|---------|
| 1              | 68T-48531-00-00 | .BRACKET, REMOTE CONTROL 1 | 1        |         |
| 2              | 682-48538-50-00 | .CLAMP, CABLE 1            | 2        |         |
| 3              | 91690-30012-00  | .PIN, SPRING               | 2        |         |
| 4              | 97095-06012-00  | BOLT                       | 2        |         |
| 5              | 92995-06600-00  | WASHER                     | 2        |         |
| 6              | 95380-06600-00  | NUT, HEXAGON               | 2        |         |
| 7              | 68T-44121-02-00 | LEVER, SHIFT ROD           | 1        |         |
| 8              | 6G1-41662-01-94 | BRACKET 2                  | 2        |         |
| 9              | 90109-06M81-00  | BOLT                       | 2        |         |
| 10             | 90464-10M60-00  | CLAMP                      | 1        |         |
| 11             | 91690-30014-00  | PIN, SPRING                | 1        |         |
| 12             | 65W-44116-00-00 | SPRING                     | 1        |         |
| 13             | 66R-44114-00-00 | STOPPER                    | 1        |         |
| 14             | 90109-06M86-00  | BOLT                       | 1        |         |
| 15             | 68T-44143-10-00 | ROD, SHIFT                 | 1        |         |
| 16             | 90468-18001-00  | CLIP                       | 1        |         |
| 17             | 90170-06015-00  | NUT                        | 1        |         |
| 18             | 95380-06700-00  | NUT                        | 1        |         |
| 19             | 6AU-44111-10-00 | .HANDLE, GEAR SHIFT        | 1        |         |
| 20             | 93210-12327-00  | .O-RING                    | 1        |         |
| 21             | 97095-05016-00  | .BOLT                      | 1        |         |
| 22             | 92995-05600-00  | WASHER                     | 1        |         |
| 23             | 663-48344-00-00 | .CABLE END, REMOTE CONTROL | 1        |         |
| 24             | 90468-18008-00  | CLIP                       | 1        |         |
| 25             | 68T-41638-00-00 | PULLEY                     | 1        |         |
| 26             | 68T-41283-00-00 | LEVER, FREE ACCEL.         | 1        |         |
| 27             | 90387-06M59-00  | COLLAR                     | 1        |         |
| 28             | 6AU-41211-00-00 | LINK, ACCEL.               | 1        |         |
| 29             | 68T-14497-00-00 | STAY, THROTTLE WIRE        | 1        |         |
| 30             | 90201-06M62-00  | WASHER, PLATE              | 1        |         |
| 31             | 97095-06045-00  | .BOLT                      | 1        |         |
| 32             | 92995-06600-00  | WASHER                     | 1        |         |
| 33             | 97095-06012-00  | BOLT                       | 1        |         |
| 34             | 92995-06600-00  | WASHER                     | 1        |         |
| 35             | 661-41262-02-00 | JOINT, CHOKE LEVER         | 1        |         |
| 36             | 647-14395-60-00 | CAP, OVERFLOW PIPE         | 1        |         |
| 37             | 663-48344-00-00 | .CABLE END, REMOTE CONTROL | 1        |         |
| 38             | 90468-18008-00  | CLIP                       | 1        |         |
| 39             | 68T-15774-10-00 | STAY 4                     | 1        |         |
| 40             | 90109-06M86-00  | BOLT                       | 2        |         |
| 41             | 90465-08027-00  | CLAMP                      | 1        |         |

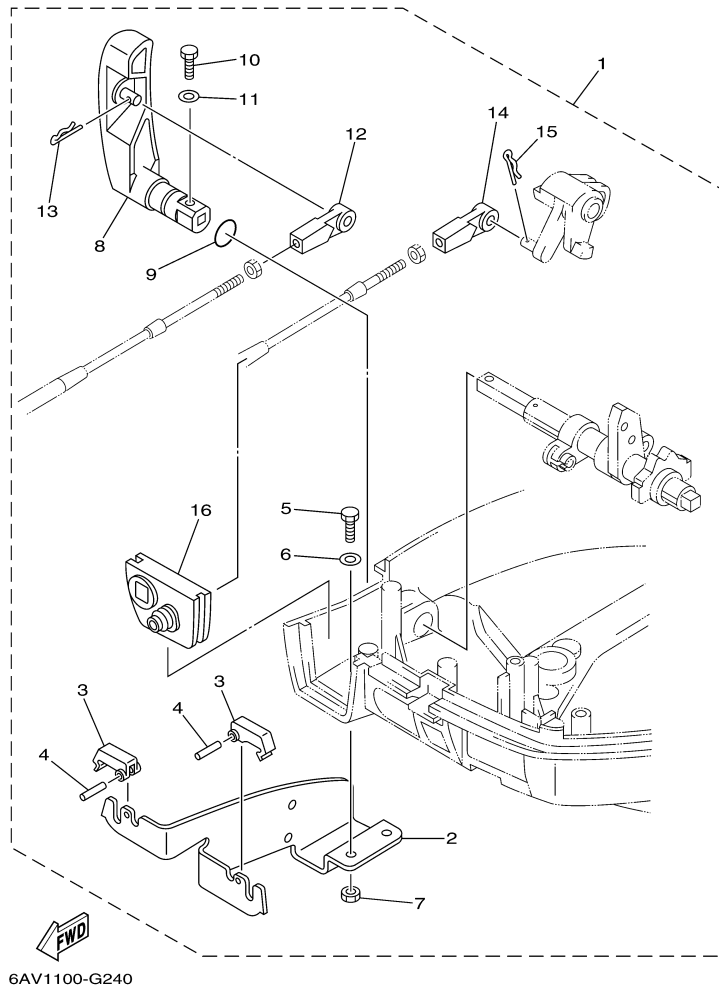
## Part Notes

T9.9GPXR 0410 / CONTROL 2

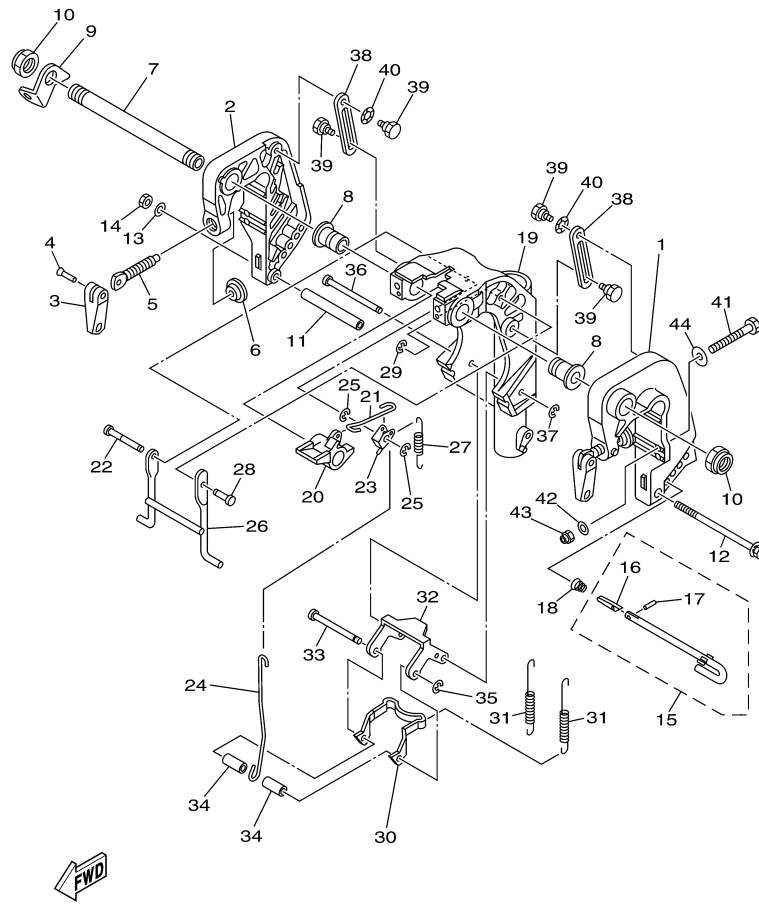
| PART NUMBER    |   | NOTE TEXT  |
|----------------|---|--|
| 90468-18008-00 |  | OEM: This part number is among the Top 100 Most Popular Marine Maintenance Parts as of March 2014. |
| 90468-18008-00 |  | OEM: This part number is among the Top 100 Most Popular Marine Maintenance Parts as of March 2014. |

©2014 Yamaha Motor Corporation, U.S.A. All rights reserved.

T9.9GPXR 0410 / REMO CON ATTACHMENT



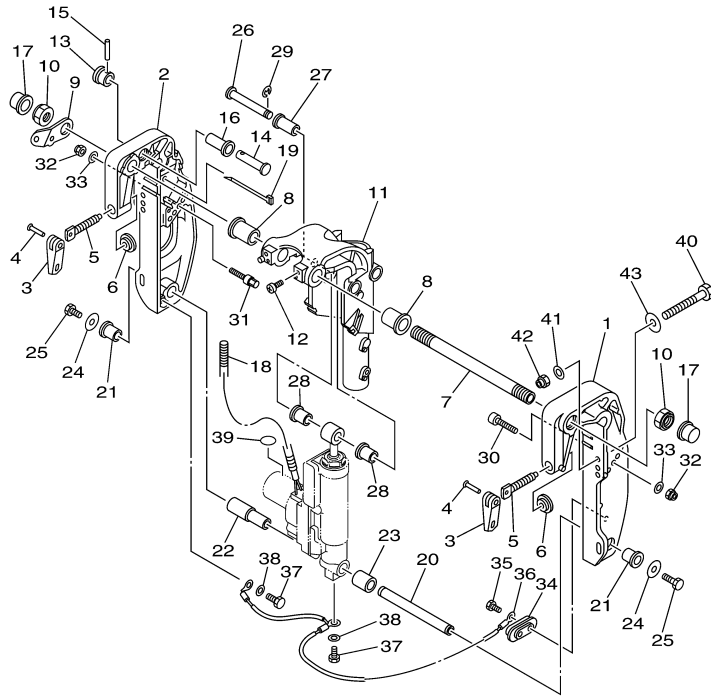
T9.9GPXR 0410 / BRACKET 1



6AV1300-G220



T9.9GPXR 0410 / BRACKET 2



60S3110-F240


## Part List

T9.9GPXR 0410 / BRACKET 2

| REF - NO | PART NUMBER     | PART NAME                 | QUANTITY | REMARKS            |
|----------|-----------------|---------------------------|----------|--------------------|
| 1        | 69A-43111-01-4D | BRACKET, CLAMP 1          | 1        |                    |
| 2        | 69A-43112-01-4D | BRACKET, CLAMP 2          | 1        |                    |
| 3        | 6E0-43118-01-00 | HANDLE, TRANSOM CLAMP     | 2        |                    |
| 4        | 90243-04M01-00  | PIN                       | 2        |                    |
| 5        | 6E7-43116-00-00 | SCREW, TRANSOM CLAMP      | 2        |                    |
| 6        | 648-43114-01-00 | PAD, TRANSOM CLAMP        | 2        |                    |
| 7        | 69A-43131-00-00 | BOLT, CLAMP BRACKET       | 1        | FOR REMOTE CONTROL |
| 8        | 90386-22MA4-00  | BUSH                      | 2        |                    |
| 9        | 69A-43113-00-00 | PLATE, CLAMP BRACKET      | 1        |                    |
| 10       | 90185-22043-00  | NUT, SELF-LOCKING         | 2        |                    |
| 11       | 69G-43311-11-4D | BRACKET, SWIVEL 1         | 1        |                    |
| 12       | 97885-08010-00  | SCREW, PAN HEAD           | 2        |                    |
| 13       | 65W-43192-00-00 | KNOB, STOPPER             | 1        |                    |
| 14       | 65W-43191-00-00 | SHAFT, STOPPER            | 1        |                    |
| 15       | 91690-30018-00  | PIN, SPRING               | 1        |                    |
| 16       | 90386-14MA1-00  | BUSH                      | 1        |                    |
| 17       | 6G5-43145-01-00 | CAP, CLAMP BRACKET        | 2        |                    |
| 18       | 90447-10001-00  | TUBE                      | 1        |                    |
| 19       | 90465-13M97-00  | CLAMP                     | 1        |                    |
| 20       | 69G-43818-00-00 | PIN, LOWER SHOCK MOUNT    | 1        |                    |
| 21       | 90386-16MA7-00  | BUSH                      | 2        |                    |
| 22       | 90386-16MA8-00  | BUSH                      | 1        |                    |
| 23       | 90387-16M02-00  | COLLAR                    | 1        |                    |
| 24       | 90201-08M00-00  | WASHER, PLATE             | 2        |                    |
| 25       | 97080-08016-00  | BOLT                      | 2        |                    |
| 26       | 90249-12M36-00  | PIN                       | 1        |                    |
| 27       | 90381-12M10-00  | BUSH, SOLID               | 1        |                    |
| 28       | 90381-12M11-00  | BUSH, SOLID               | 2        |                    |
| 29       | 99080-10600-00  | CIRCLIP                   | 1        |                    |
| 30       | 90110-08M05-00  | BOLT, HEXAGON SOCKET HEAD | 1        |                    |
| 31       | 90109-08010-00  | BOLT                      | 1        |                    |
| 32       | 90185-08057-00  | NUT, SELF-LOCKING         | 2        |                    |
| 33       | 92990-08600-00  | ..WASHER, PLATE           | 2        |                    |
| 34       | 65W-45251-00-00 | ANODE                     | 1        |                    |
| 35       | 90101-06020-00  | BOLT                      | 2        |                    |
| 36       | 63V-82127-00-00 | WIRE, LEAD 2              | 1        |                    |
| 37       | 97095-06010-00  | BOLT                      | 2        |                    |
| 38       | 92995-06600-00  | WASHER                    | 2        |                    |
| 39       | 69A-43155-00-00 | MARK 1                    | 1        |                    |
| 40       | 90101-08M88-00  | BOLT                      | 2        |                    |
| 41       | 92990-08600-00  | ..WASHER, PLATE           | 2        |                    |
| 42       | 90185-08057-00  | NUT, SELF-LOCKING         | 2        |                    |
| 43       | 90201-08MA4-00  | WASHER, PLATE             | 2        |                    |

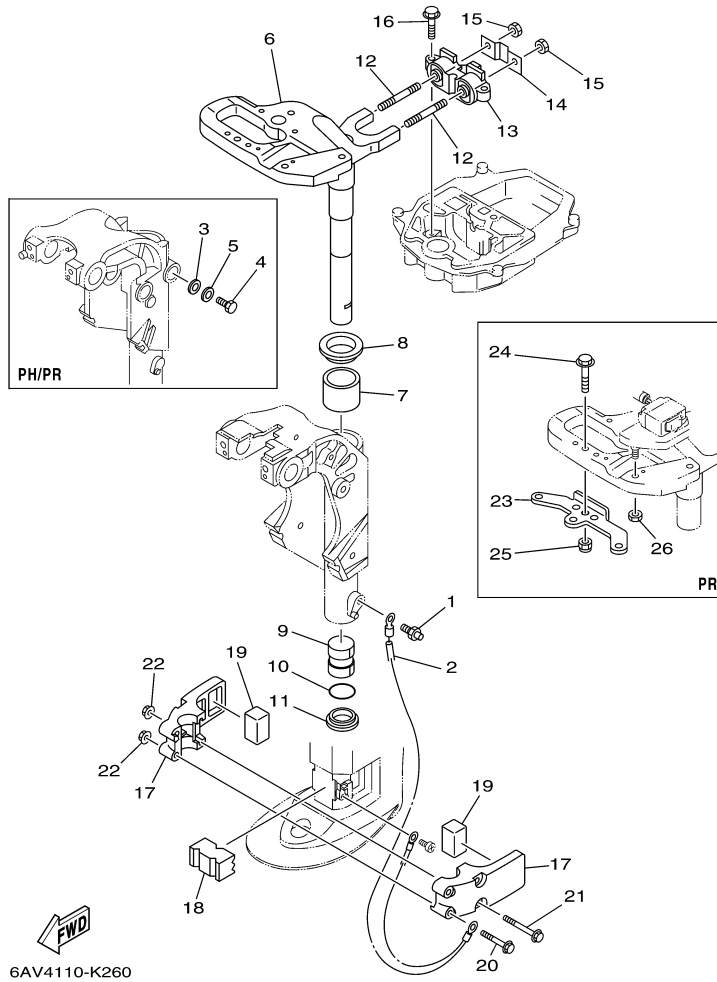
## Part Notes

T9.9GPXR 0410 / BRACKET 2

| PART NUMBER   | NOTE TEXT  |
|---|--|
| 65W-45251-00-00  | OEM: This part number is among the Top 100 Most Popular Marine Maintenance Parts as of March 2014. |

©2014 Yamaha Motor Corporation, U.S.A. All rights reserved.

T9.9GPXR 0410 / BRACKET 3



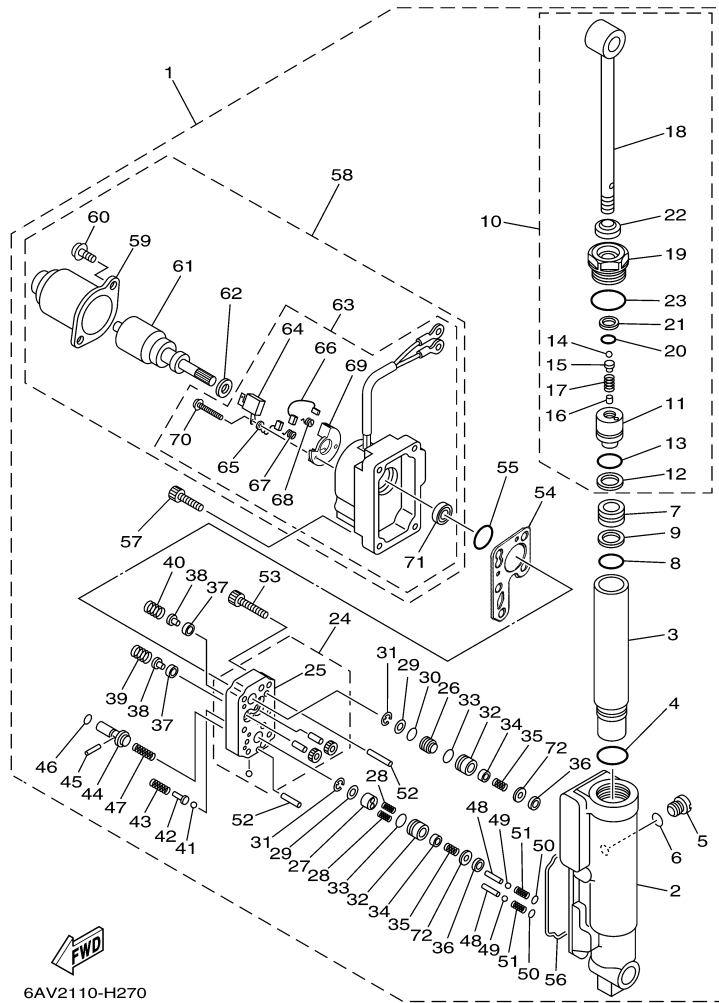
©2014 Yamaha Motor Corporation, U.S.A. All rights reserved.

## Part List

T9.9GPXR 0410 / BRACKET 3

| REF<br>-<br>NO | PART<br>NUMBER  | PART NAME                        | QUANTITY | REMARKS |
|----------------|-----------------|----------------------------------|----------|---------|
| 1              | 93700-06M03-00  | NIPPLE, GREASE                   | 1        |         |
| 2              | 68T-82127-00-00 | WIRE, LEAD 2                     | 1        |         |
| 3              | 92995-06600-00  | WASHER                           | 1        |         |
| 4              | 97095-06014-00  | BOLT                             | 1        |         |
| 5              | 92995-06600-00  | WASHER                           | 1        |         |
| 6              | 6AU-42511-10-4D | BRACKET, STEERING                | 1        |         |
| 7              | 90386-40001-00  | BUSH                             | 1        |         |
| 8              | 90209-40008-00  | WASHER                           | 1        |         |
| 9              | 90386-30048-00  | BUSH                             | 1        |         |
| 10             | 93210-29M94-00  | O-RING                           | 1        |         |
| 11             | 90386-30M60-00  | BUSH                             | 1        |         |
| 12             | 90116-08M54-00  | BOLT, STUD                       | 2        |         |
| 13             | 68T-44517-10-00 | MOUNT RUBBER                     | 1        |         |
| 14             | 68T-44526-00-00 | PLATE                            | 1        |         |
| 15             | 95380-08600-00  | NUT                              | 2        |         |
| 16             | 97575-06525-00  | BOLT, WITH WASHER                | 2        |         |
| 17             | 6AU-44551-00-4D | HOUSING, LOWER MOUNT<br>RUBBER 1 | 2        |         |
| 18             | 6AU-44557-00-00 | MOUNT DAMPER, LOWER<br>FRONT     | 1        |         |
| 19             | 682-44555-30-00 | MOUNT DAMPER, LOWER<br>SIDE      | 2        |         |
| 20             | 90119-06012-00  | BOLT, WITH WASHER                | 2        |         |
| 21             | 90119-06198-00  | BOLT, WITH WASHER                | 2        |         |
| 22             | 90179-06M28-00  | NUT                              | 4        |         |
| 23             | 69G-48511-10-00 | HOOK, STEERING                   | 1        |         |
| 24             | 97575-08535-00  | BOLT, WITH WASHER                | 1        |         |
| 25             | 90185-08057-00  | NUT, SELF-LOCKING                | 1        |         |
| 26             | 90185-06M07-00  | NUT, SELF-LOCKING                | 1        |         |

T9.9GPXR 0410 / POWER TILT ASSY



©2014 Yamaha Motor Corporation, U.S.A. All rights reserved.

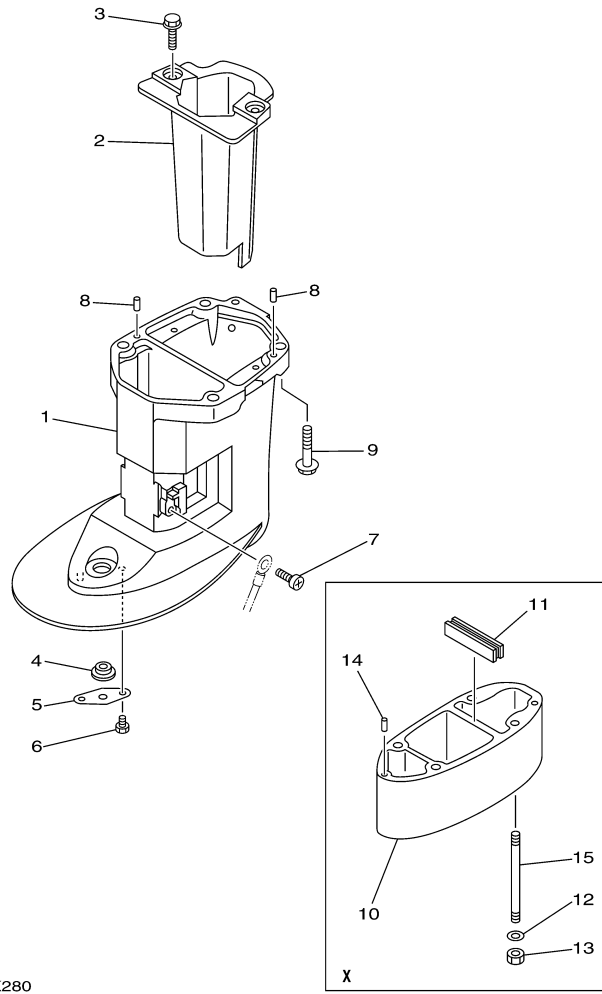
## Part List

T9.9GPXR 0410 / POWER TILT ASSY

| REF<br>-<br>NO | PART<br>NUMBER  | PART NAME                | QUANTITY | REMARKS |
|----------------|-----------------|--------------------------|----------|---------|
| 1              | 69G-43840-02-4D | POWER TILT ASSY          | 1        |         |
| 2              | 69A-4380K-00-00 | .CYLINDER, TILT SUB ASSY | 1        |         |
| 3              | 69A-22471-00-00 | .CASE, CYLINDER          | 1        |         |
| 4              | 93210-27666-00  | .O-RING                  | 1        |         |
| 5              | 6H1-4388E-11-00 | .PLUG, TAPER SCREW       | 1        |         |
| 6              | 93210-07003-00  | .O-RING                  | 1        |         |
| 7              | 69A-43814-00-00 | .PISTON, FREE            | 1        |         |
| 8              | 93210-21276-00  | .O-RING                  | 1        |         |
| 9              | 69A-43872-00-00 | .RING, BACK UP           | 1        |         |
| 10             | 69A-43810-00-00 | .TILT PISTON SUB ASSY    | 1        |         |
| 11             | 69A-4380D-00-00 | ..PISTON COMP            | 1        |         |
| 12             | 93210-21276-00  | ..O-RING                 | 1        |         |
| 13             | 69A-43872-00-00 | ..RING, BACK UP          | 1        |         |
| 14             | 93505-32038-00  | ..BALL                   | 1        |         |
| 15             | 65W-4386A-00-00 | ..PIN, ABSORBER VALVE    | 1        |         |
| 16             | 93604-06136-00  | ..PIN, DOWEL             | 1        |         |
| 17             | 69A-43857-00-00 | ..SPRING, ABSORBER VALVE | 1        |         |
| 18             | 69A-43801-00-00 | ..ROD                    | 1        |         |
| 19             | 69A-43811-01-00 | ..SCREW, CYLINDER END    | 1        |         |
| 20             | 6H1-43866-00-00 | ..O-RING                 | 1        |         |
| 21             | 69A-43871-00-00 | ..RING, BACK UP          | 1        |         |
| 22             | 69A-43812-00-00 | ..SEAL, DUST             | 1        |         |
| 23             | 69A-43869-00-00 | ..O-RING                 | 1        |         |
| 24             | 69A-43830-00-00 | .GEAR PUMP ASSY          | 1        |         |
| 25             | 69A-4380C-00-00 | ..GEAR HOUSING ASSY      | 1        |         |
| 26             | 69A-43841-00-00 | .PISTON, SHUTTLE         | 1        |         |
| 27             | 69A-4384M-00-00 | .PISTON, SHUTTLE 2       | 1        |         |
| 28             | 62Y-43894-00-00 | .SPRING, SHUTTLE RETURN  | 2        |         |
| 29             | 69A-4384F-00-00 | .SEAL, MAIN VALVE        | 2        |         |
| 30             | 6H1-43883-00-00 | .O-RING                  | 1        |         |
| 31             | 99002-03600-00  | .CLIP                    | 2        |         |
| 32             | 69G-4382G-00-00 | .VALVE SEAT              | 2        |         |
| 33             | 93210-12N52-00  | .O-RING                  | 2        |         |
| 34             | 6T4-43808-00-00 | .SEAT VALVE COMP 1       | 2        |         |
| 35             | 69G-43853-00-00 | .SPRING, MAIN VALVE      | 2        |         |
| 36             | 69J-4381C-00-00 | .FILTER 3                | 2        |         |
| 37             | 6H1-4384G-11-00 | .SEAL, RELIEF VALVE      | 2        |         |
| 38             | 6H1-43844-10-00 | .PIN, VALVE SUPPORT      | 2        |         |
| 39             | 69A-43855-00-00 | .SPRING, UP RELIEF       | 1        |         |
| 40             | 6H1-43856-10-00 | .SPRING, DOWN RELIEF     | 1        |         |
| 41             | 93501-08001-00  | .BALL                    | 2        |         |
| 42             | 69A-4386A-00-00 | .PIN, ABSORBER VALVE     | 2        |         |
| 43             | 69A-43824-00-00 | .SPRING, DOWN RELIEF 2   | 2        |         |
| 44             | 69A-43848-00-00 | .ROD, MANUAL RELEASE     | 1        |         |
| 45             | 93602-15250-00  | .PIN, DOWEL              | 1        |         |
| 46             | 93210-06001-00  | .O-RING                  | 1        |         |
| 47             | 69A-43854-00-00 | .SPRING, MANUAL RELEASE  | 1        |         |
| 48             | 69A-4381G-00-00 | .PIN 1                   | 2        |         |
| 49             | 93501-08001-00  | .BALL                    | 2        |         |
| 50             | 6H1-43883-00-00 | .O-RING                  | 2        |         |
| 51             | 69A-4384H-00-00 | .SPRING                  | 2        |         |
| 52             | 93606-14081-00  | .PIN, DOWEL              | 2        |         |
| 53             | 91312-05025-00  | .BOLT                    | 6        |         |
| 54             | 69A-43816-01-00 | .FILTER 1                | 1        |         |
| 55             | N35-43862-10-00 | .O-RING                  | 1        |         |
| 56             | 69A-23129-00-00 | .GASKET, DRAIN PLUG      | 1        |         |
| 57             | 69A-43878-00-00 | .BOLT, SOCKET            | 4        |         |
| 58             | 69G-43880-01-00 | .MOTOR ASSY              | 1        |         |
| 59             | 65W-43804-01-00 | ..STATOR ASSY            | 1        |         |
| 60             | 65W-43887-01-00 | ..BOLT                   | 2        |         |

|    |                 |                         |   |  |
|----|-----------------|-------------------------|---|--|
| 61 | 65W-43805-01-00 | ..ARMATURE ASSY         | 1 |  |
| 62 | 65W-4387G-00-00 | ..WASHER                | 1 |  |
| 63 | 69G-43881-01-00 | ..FRAME, END            | 1 |  |
| 64 | 65W-82181-00-00 | ...CIRCUIT BREAKER COMP | 1 |  |
| 65 | 65W-43892-01-00 | ...BRUSH 2              | 1 |  |
| 66 | 65W-43891-01-00 | ...BRUSH 1              | 1 |  |
| 67 | 65W-4386K-01-00 | ...SPRING, BRUSH        | 1 |  |
| 68 | 65W-4386L-00-00 | ...SPRING, BRUSH 2      | 1 |  |
| 69 | 65W-4380F-01-00 | ...PLATE, BRUSH HOLDER  | 1 |  |
| 70 | 65W-43879-01-00 | ...SCREW, WITH WASHER   | 2 |  |
| 71 | 65W-43882-01-00 | ...OIL SEAL             | 1 |  |
| 72 | 69G-4388F-00-00 | .SPACER                 | 2 |  |

T9.9GPXR 0410 / UPPER CASING



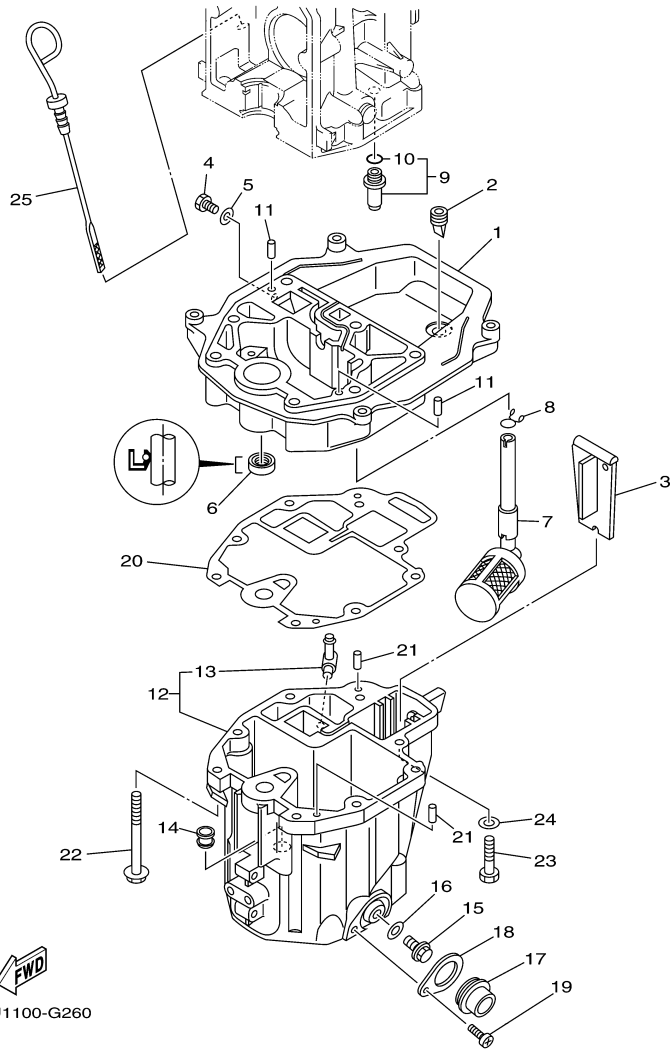


## Part List

T9.9GPXR 0410 / UPPER CASING

| REF<br>-<br>NO | PART<br>NUMBER  | PART NAME         | QUANTITY | REMARKS  |
|----------------|-----------------|-------------------|----------|----------|
| 1              | 6AU-45111-10-4D | CASING, UPPER     | 1        |          |
| 2              | 6AU-14711-00-5B | MUFFLER 1         | 1        |          |
| 3              | 97575-06514-00  | BOLT, WITH WASHER | 2        |          |
| 4              | 90480-14M54-00  | GROMMET           | 1        |          |
| 5              | 68T-45321-00-00 | PLATE             | 1        |          |
| 6              | 97095-06008-00  | BOLT              | 1        |          |
| 7              | 97885-05008-00  | SCREW, PAN HEAD   | 1        |          |
| 8              | 93604-12M07-00  | PIN, DOWEL        | 2        |          |
| 9              | 97575-08535-00  | BOLT, WITH WASHER | 4        |          |
| 10             | 69G-45211-20-4D | EXTENSION         | 1        | X(24.3") |
| 11             | 63V-45127-00-00 | SEAL              | 1        | X(24.3") |
| 12             | 92990-08600-00  | ..WASHER, PLATE   | 4        | X(24.3") |
| 13             | 95380-08600-00  | NUT               | 4        | X(24.3") |
| 14             | 93604-12M07-00  | PIN, DOWEL        | 2        | X(24.3") |
| 15             | 90116-08M62-00  | BOLT, STUD        | 4        | X(24.3") |

T9.9GPXR 0410 / OIL PAN



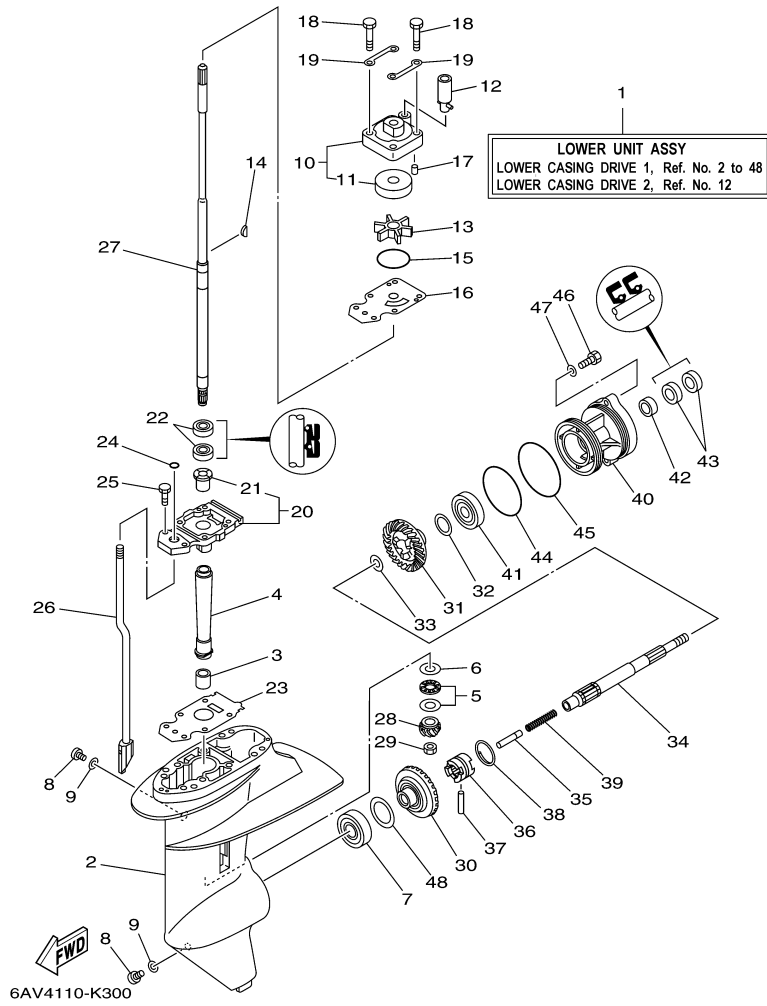
©2014 Yamaha Motor Corporation, U.S.A. All rights reserved.

## Part List

T9.9GPXR 0410 / OIL PAN

| REF<br>-<br>NO | PART<br>NUMBER  | PART NAME            | QUANTITY | REMARKS |
|----------------|-----------------|----------------------|----------|---------|
| 1              | 68T-41137-00-5B | GUIDE, EXHAUST       | 1        |         |
| 2              | 65W-42717-00-00 | RUBBER, SEAL 2       | 1        |         |
| 3              | 68T-45181-00-00 | PLATE                | 1        |         |
| 4              | 97095-08014-00  | BOLT                 | 1        |         |
| 5              | 90430-08143-00  | GASKET               | 1        |         |
| 6              | 93101-12M70-00  | .OIL SEAL            | 1        |         |
| 7              | 68T-13421-01-00 | STRAINER 2           | 1        |         |
| 8              | 90467-11M08-00  | CLIP                 | 1        |         |
| 9              | 6G8-11575-00-00 | RELIEF VALVE ASSY    | 1        |         |
| 10             | 93210-12M62-00  | .O-RING              | 1        |         |
| 11             | 93606-19M23-00  | PIN, DOWEL           | 2        |         |
| 12             | 68T-15311-01-5B | OIL PAN              | 1        |         |
| 13             | 6H1-11372-00-00 | .NIPPLE, HOSE        | 1        |         |
| 14             | 90480-10M28-00  | GROMMET              | 1        |         |
| 15             | 90340-10M10-00  | PLUG, STRAIGHT SCREW | 1        |         |
| 16             | 90430-10M11-00  | .GASKET              | 1        |         |
| 17             | 68T-15316-00-00 | DAMPER 1             | 1        |         |
| 18             | 68T-15317-00-00 | SPACER, ENGINE MOUNT | 1        |         |
| 19             | 97885-05008-00  | SCREW, PAN HEAD      | 1        |         |
| 20             | 68T-13475-00-00 | .GASKET              | 1        |         |
| 21             | 93604-12M07-00  | PIN, DOWEL           | 2        |         |
| 22             | 90119-08005-00  | BOLT, WITH WASHER    | 6        |         |
| 23             | 97075-08030-00  | BOLT                 | 2        |         |
| 24             | 92995-08600-00  | WASHER               | 2        |         |
| 25             | 68T-15362-00-00 | PLUG, OIL LEVEL      | 1        |         |

T9.9GPXR 0410 / LOWER CASING DRIVE 1



©2014 Yamaha Motor Corporation, U.S.A. All rights reserved.

## Part List


T9.9GPXR 0410 / LOWER CASING DRIVE 1

| REF<br>-<br>NO | PART<br>NUMBER  | PART NAME                   | QUANTITY | REMARKS  |
|----------------|-----------------|-----------------------------|----------|----------|
| 1              | 69G-45300-21-4D | LOWER UNIT ASSY             | 1        | X(24.3") |
| 2              | 66R-45311-01-4D | CASING, LOWER               | 1        |          |
| 3              | 93315-314V8-00  | BEARING                     | 1        |          |
| 4              | 66R-45536-00-00 | SLEEVE, DRIVE SHAFT         | 1        |          |
| 5              | 93341-41416-00  | BEARING                     | 1        |          |
| 6              | 66R-45587-10-00 | SHIM (T:1.20MM)             | 1        | UR       |
| 6              | 66R-45587-00-00 | SHIM (T:1.13MM)             | 1        | UR       |
| 7              | 93332-00005-00  | BEARING                     | 1        |          |
| 8              | 90340-08002-00  | PLUG, STRAIGHT SCREW        | 2        |          |
| 9              | 90430-08020-00  | .GASKET                     | 2        |          |
| 10             | 63V-44301-00-00 | WATER PUMP HOUSING<br>COMP. | 1        |          |
| 11             | 63V-44322-00-00 | .INSERT, CARTRIDGE          | 1        |          |
| 12             | 68T-44366-00-00 | .DAMPER, WATER SEAL 2       | 1        |          |
| 13             | 63V-44352-01-00 | .IMPELLER                   | 1        |          |
| 14             | 664-44338-00-00 | .KEY, WOODRUFF              | 1        |          |
| 15             | 93210-44398-00  | .O-RING                     | 1        |          |
| 16             | 68T-44323-00-00 | .OUTER PLATE, CARTRIDGE     | 1        |          |
| 17             | 93604-12M07-00  | PIN, DOWEL                  | 2        |          |
| 18             | 97080-08045-00  | BOLT                        | 4        |          |
| 19             | 63V-44328-00-00 | PLATE                       | 2        |          |
| 20             | 69G-45331-01-5B | HOUSING, BEARING            | 1        |          |
| 21             | 626-45316-09-00 | .BUSHING, DRIVE SHAFT       | 1        |          |
| 22             | 93101-20048-00  | .OIL SEAL                   | 2        |          |
| 23             | 69G-45315-A0-00 | .PACKING, LOWER CASING      | 1        |          |
| 24             | 93210-06ME6-00  | .O-RING                     | 1        |          |
| 25             | 97080-08025-00  | BOLT                        | 2        |          |
| 26             | 69G-44150-20-00 | SHIFT CAM ASSY              | 1        | X(24.3") |
| 27             | 69G-45510-20-00 | DRIVE SHAFT ASSY            | 1        | X(24.3") |
| 28             | 66R-45551-00-00 | PINION (13T)                | 1        |          |
| 29             | 90179-08M06-00  | NUT                         | 1        |          |
| 30             | 66R-45560-01-00 | GEAR 1 (38T)                | 1        |          |
| 31             | 66R-45571-00-00 | GEAR 2 (38T)                | 1        |          |
| 32             | 626-45577-00-00 | SHIM (T:0.10MM)             | 1        | UR       |
| 32             | 626-45577-10-00 | SHIM (T:0.20MM)             | 1        | UR       |
| 32             | 626-45577-40-00 | SHIM (T:0.50MM)             | 1        | UR       |
| 32             | 626-45577-30-00 | SHIM (T:0.40MM)             | 1        | UR       |
| 32             | 626-45577-20-00 | SHIM (T:0.30MM)             | 1        | UR       |
| 33             | 90201-17682-00  | WASHER, PLATE               | 1        |          |
| 34             | 683-45611-00-00 | SHAFT, PROPELLER            | 1        |          |
| 35             | 650-45635-00-00 | PLUNGER, SHIFT              | 1        |          |
| 36             | 69G-45631-00-00 | CLUTCH, DOG                 | 1        |          |
| 37             | 90250-05010-00  | PIN, STRAIGHT               | 1        |          |
| 38             | 648-45633-00-00 | RING, CROSS PIN             | 1        |          |
| 39             | 90501-14M09-00  | SPRING, COMPRESSION         | 1        |          |
| 40             | 66R-45361-00-4D | CAP, LOWER CASING           | 1        |          |
| 41             | 93306-00501-00  | BEARING                     | 1        |          |
| 42             | 93315-317U2-00  | BEARING                     | 1        |          |
| 43             | 93101-17054-00  | .OIL SEAL                   | 2        |          |
| 44             | 93210-74M68-00  | .O-RING                     | 1        |          |
| 45             | 93210-74316-00  | .O-RING                     | 1        |          |
| 46             | 97095-06025-00  | BOLT                        | 2        |          |
| 47             | 92995-06600-00  | WASHER                      | 2        |          |
| 48             | 626-45577-00-00 | SHIM (T:0.10MM)             | 1        | UR       |
| 48             | 626-45577-10-00 | SHIM (T:0.20MM)             | 1        | UR       |
| 48             | 626-45577-40-00 | SHIM (T:0.50MM)             | 1        | UR       |
| 48             | 626-45577-30-00 | SHIM (T:0.40MM)             | 1        | UR       |
| 48             | 626-45577-20-00 | SHIM (T:0.30MM)             | 1        | UR       |

## Part Notes

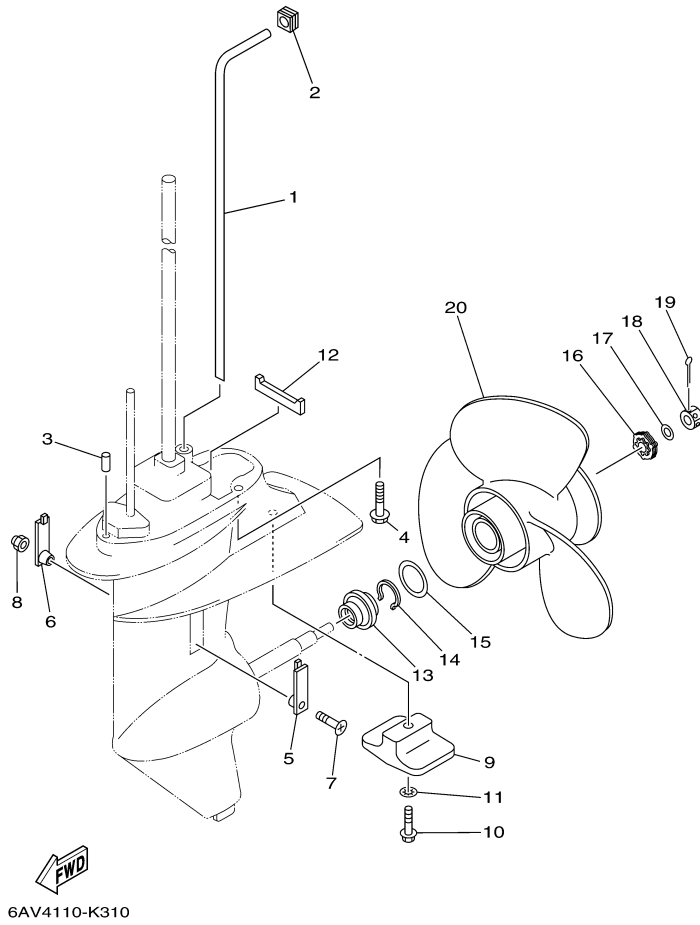
T9.9GPXR 0410 / LOWER CASING DRIVE 1

---

| PART NUMBER    |   | NOTE TEXT  |
|----------------|---|--|
| 90430-08020-00 |  | OEM: This part number is among the Top 100 Most Popular Marine Maintenance Parts as of March 2014. |

©2014 Yamaha Motor Corporation, U.S.A. All rights reserved.

T9.9GPXR 0410 / LOWER CASING DRIVE 2



©2014 Yamaha Motor Corporation, U.S.A. All rights reserved.

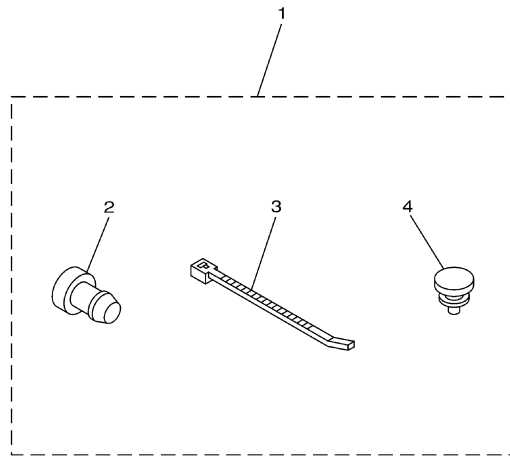
## Part List

T9.9GPXR 0410 / LOWER CASING DRIVE 2

| REF<br>-<br>NO | PART<br>NUMBER  | PART NAME                 | QUANTITY | REMARKS  |
|----------------|-----------------|---------------------------|----------|----------|
| 1              | 69G-44361-20-00 | TUBE, WATER 1             | 1        | X(24.3") |
| 2              | 63V-44365-10-00 | DAMPER, WATER SEAL 1      | 1        |          |
| 3              | 93604-12M07-00  | PIN, DOWEL                | 2        |          |
| 5              | 6G1-45214-00-00 | COVER, WATER INLET 1      | 1        |          |
| 6              | 63V-45215-00-00 | COVER, WATER INLET 2      | 1        |          |
| 7              | 90152-05011-00  | SCREW, COUNTERSUNK        | 1        |          |
| 8              | 90185-05002-00  | NUT, NYLON                | 1        |          |
| 9              | 61N-45251-01-00 | ANODE                     | 1        |          |
| 10             | 95895-06030-00  | BOLT, FLANGE              | 1        |          |
| 11             | 92990-06300-00  | WASHER, INTERNAL TOOTH    | 1        |          |
| 12             | 63V-45375-00-00 | DAMPER, SEAL              | 1        |          |
| 13             | 6G8-45987-02-00 | SPACER 1                  | 1        |          |
| 14             | 93450-10M04-00  | CIRCLIP                   | 1        |          |
| 15             | 90201-31MA3-00  | WASHER, PLATE             | 1        |          |
| 16             | 6G8-45997-00-00 | SPACER 2                  | 1        |          |
| 17             | 90201-10M02-00  | WASHER, PLATE             | 1        |          |
| 18             | 90171-10M07-00  | NUT, CASTLE               | 1        |          |
| 19             | 91490-30025-00  | PIN. COTTER               | 1        |          |
| 20             | 69G-45943-00-EL | PROPELLER (3X11-3/4"X7-R) | 1        |          |



T9.9GPXR 0410 / OPTIONAL PARTS



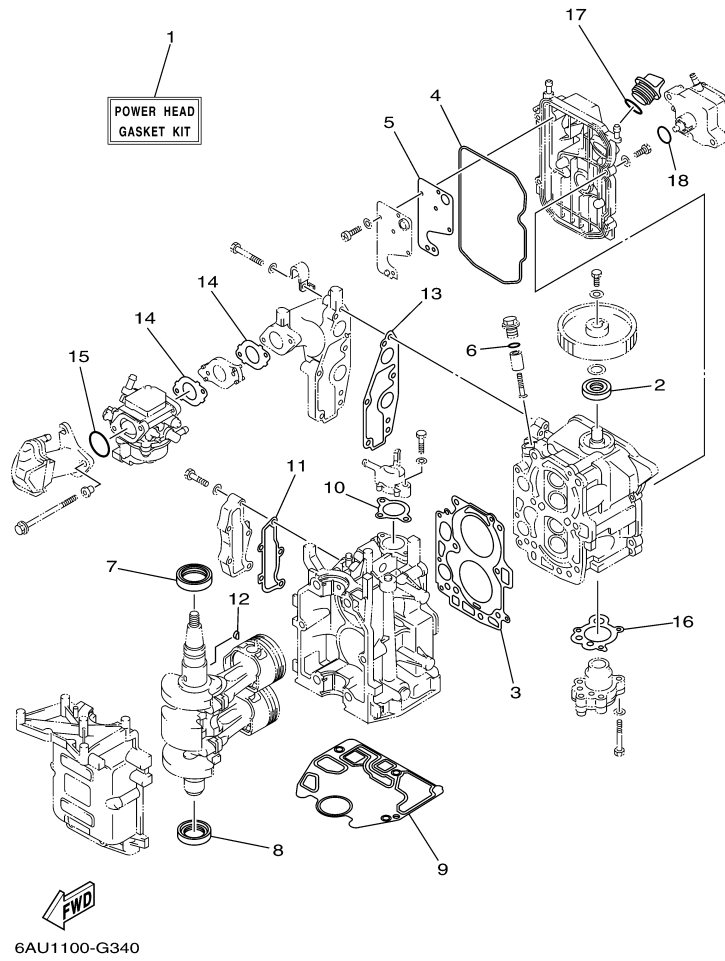
68R1100-2290

## Part List

T9.9GPXR 0410 / OPTIONAL PARTS

| REF<br>-<br>NO | PART<br>NUMBER  | PART NAME                | QUANTITY | REMARKS |
|----------------|-----------------|--------------------------|----------|---------|
| 1              | 69G-W1257-00-00 | FLUSHING ELIMINATION KIT | 1        | AP      |
| 2              | 90338-07M16-00  | .PLUG                    | 1        |         |
| 3              | 90465-11M10-00  | .CLAMP                   | 1        |         |
| 4              | 90480-06M19-00  | .GROMMET                 | 2        |         |

T9.9GPXR 0410 / REPAIR KIT 1



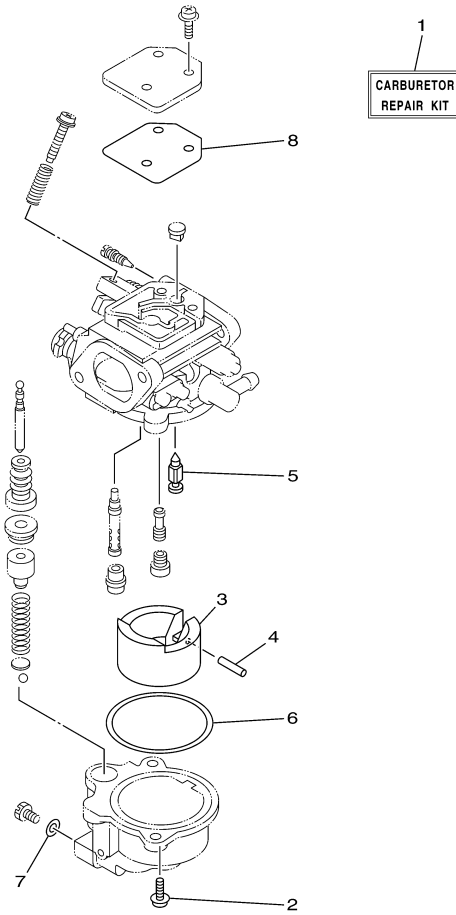
©2014 Yamaha Motor Corporation, U.S.A. All rights reserved.

## Part List

T9.9GPXR 0410 / REPAIR KIT 1

| REF<br>-<br>NO | PART<br>NUMBER  | PART NAME                       | QUANTITY | REMARKS |
|----------------|-----------------|---------------------------------|----------|---------|
| 1              | 6AU-W0001-00-00 | POWER HEAD GASKET KIT           | 1        |         |
| 2              | 93102-18M21-00  | .OIL SEAL                       | 1        |         |
| 3              | 68T-11181-00-00 | .GASKET, CYLINDER HEAD 1        | 1        |         |
| 4              | 68T-11356-00-00 | .SEAL, CYLINDER 2               | 1        |         |
| 5              | 68T-11169-A0-00 | .GASKET, BREATHER COVER         | 1        |         |
| 6              | 93210-13M63-00  | .O-RING                         | 1        |         |
| 7              | 93102-30M22-00  | .OIL SEAL                       | 1        |         |
| 8              | 93101-25M69-00  | .OIL SEAL                       | 1        |         |
| 9              | 68T-11351-00-00 | .GASKET, CYLINDER               | 1        |         |
| 10             | 6G8-12414-A0-00 | .GASKET, COVER                  | 1        |         |
| 11             | 68T-41114-A0-00 | .GASKET, EXHAUST OUTER<br>COVER | 1        |         |
| 12             | 90280-03M01-00  | .KEY, WOODRUFF                  | 1        |         |
| 13             | 68T-13645-00-00 | .GASKET, MANIFOLD 1             | 1        |         |
| 14             | 68T-13646-A0-00 | .GASKET, MANIFOLD 2             | 2        |         |
| 15             | 93210-31MJ5-00  | .O-RING                         | 1        |         |
| 16             | 68T-13329-00-00 | .GASKET, PUMP COVER             | 1        |         |
| 17             | 93210-24M79-00  | .O-RING                         | 1        |         |
| 18             | 93210-20M65-00  | .O-RING                         | 1        |         |

T9.9GPXR 0410 / REPAIR KIT 2



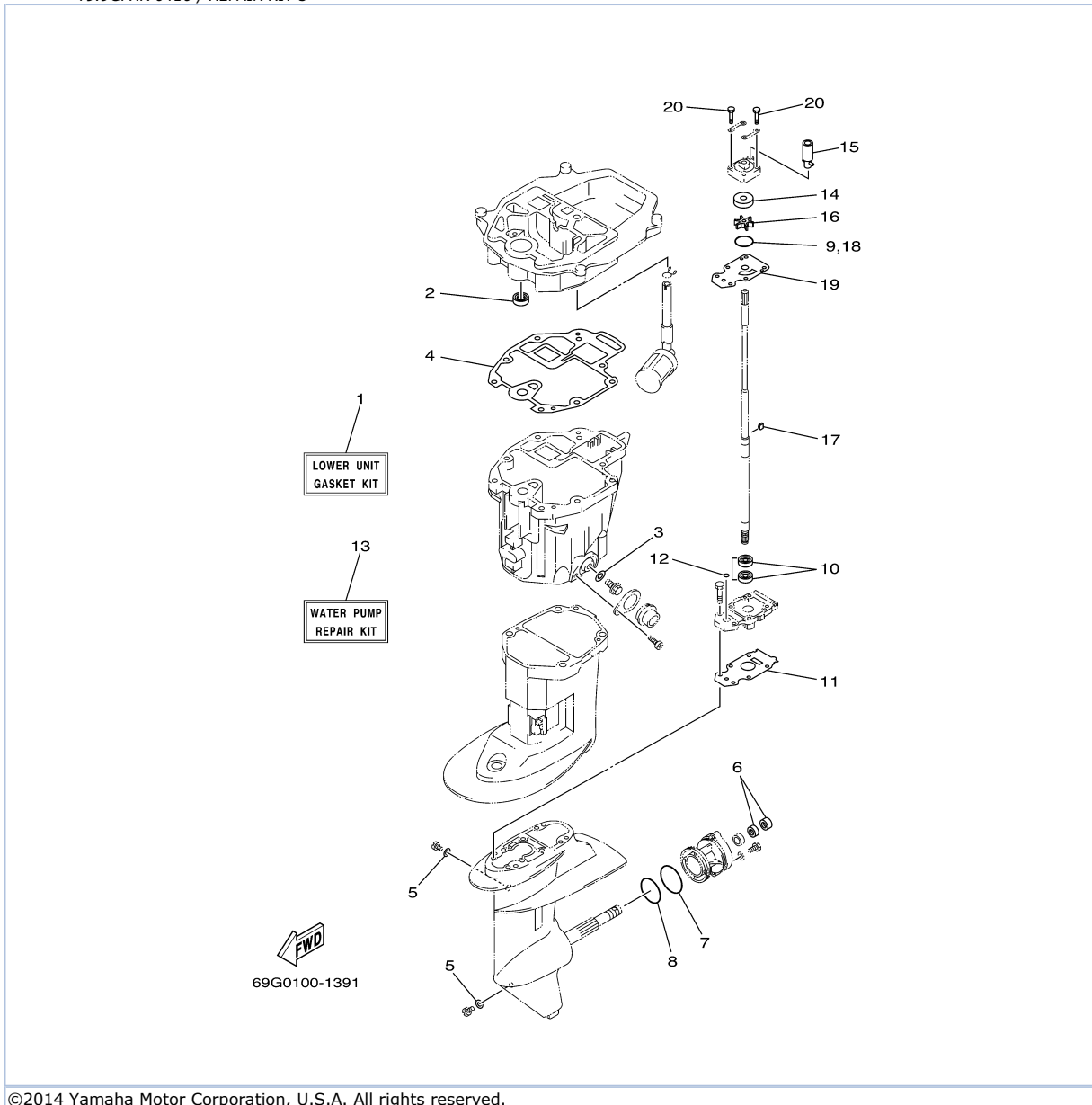
  
6AU1100-G350

## Part List

T9.9GPXR 0410 / REPAIR KIT 2

| REF<br>-<br>NO | PART<br>NUMBER  | PART NAME              | QUANTITY | REMARKS |
|----------------|-----------------|------------------------|----------|---------|
| 1              | 6AU-W0093-00-00 | CARBURETOR REPAIR KIT  | 1        |         |
| 2              | 97980-04112-00  | .SCREW, WITH WASHER    | 2        |         |
| 3              | 6AU-14385-00-00 | .FLOAT                 | 1        |         |
| 4              | 67D-14386-00-00 | .PIN, FLOAT            | 1        |         |
| 5              | 68T-14546-00-00 | .VALVE, NEEDLE         | 1        |         |
| 6              | 6AU-14984-00-00 | .GASKET, FLOAT CHAMBER | 1        |         |
| 7              | 6J8-14959-00-00 | .GASKET                | 1        |         |
| 8              | 67D-14536-00-00 | .GASKET                | 1        |         |

T9.9GPXR 0410 / REPAIR KIT 3



©2014 Yamaha Motor Corporation, U.S.A. All rights reserved.


## Part List

T9.9GPXR 0410 / REPAIR KIT 3

| REF<br>-<br>NO | PART<br>NUMBER  | PART NAME               | QUANTITY | REMARKS |
|----------------|-----------------|-------------------------|----------|---------|
| 1              | 69G-W0001-20-00 | LOWER UNIT GASKET KIT   | 1        |         |
| 2              | 93101-12M70-00  | .OIL SEAL               | 1        |         |
| 3              | 90430-10M11-00  | .GASKET                 | 1        |         |
| 4              | 68T-13475-00-00 | .GASKET                 | 1        |         |
| 5              | 90430-08020-00  | .GASKET                 | 2        |         |
| 6              | 93101-17054-00  | .OIL SEAL               | 2        |         |
| 7              | 93210-74316-00  | .O-RING                 | 1        |         |
| 8              | 93210-74M68-00  | .O-RING                 | 1        |         |
| 9              | 93210-44398-00  | .O-RING                 | 1        |         |
| 10             | 93101-20048-00  | .OIL SEAL               | 2        |         |
| 11             | 69G-45315-A0-00 | .PACKING, LOWER CASING  | 1        |         |
| 12             | 93210-06ME6-00  | .O-RING                 | 1        |         |
| 13             | 69G-W0078-00-00 | WATER PUMP REPAIR KIT   | 1        |         |
| 14             | 63V-44322-00-00 | .INSERT, CARTRIDGE      | 1        |         |
| 15             | 68T-44366-00-00 | .DAMPER, WATER SEAL 2   | 1        |         |
| 16             | 63V-44352-01-00 | .IMPELLER               | 1        |         |
| 17             | 664-44338-00-00 | .KEY, WOODRUFF          | 1        |         |
| 18             | 93210-44398-00  | .O-RING                 | 1        |         |
| 19             | 68T-44323-00-00 | .OUTER PLATE, CARTRIDGE | 1        |         |
| 20             | 97080-08045-00  | .BOLT                   | 4        |         |

## Part Notes

T9.9GPXR 0410 / REPAIR KIT 3

| PART NUMBER  | NOTE TEXT  |
|--|--|
| 90430-08020-00  | OEM: This part number is among the Top 100 Most Popular Marine Maintenance Parts as of March 2014. |

©2014 Yamaha Motor Corporation, U.S.A. All rights reserved.

©2014 Yamaha Motor Corporation, U.S.A. All rights reserved.