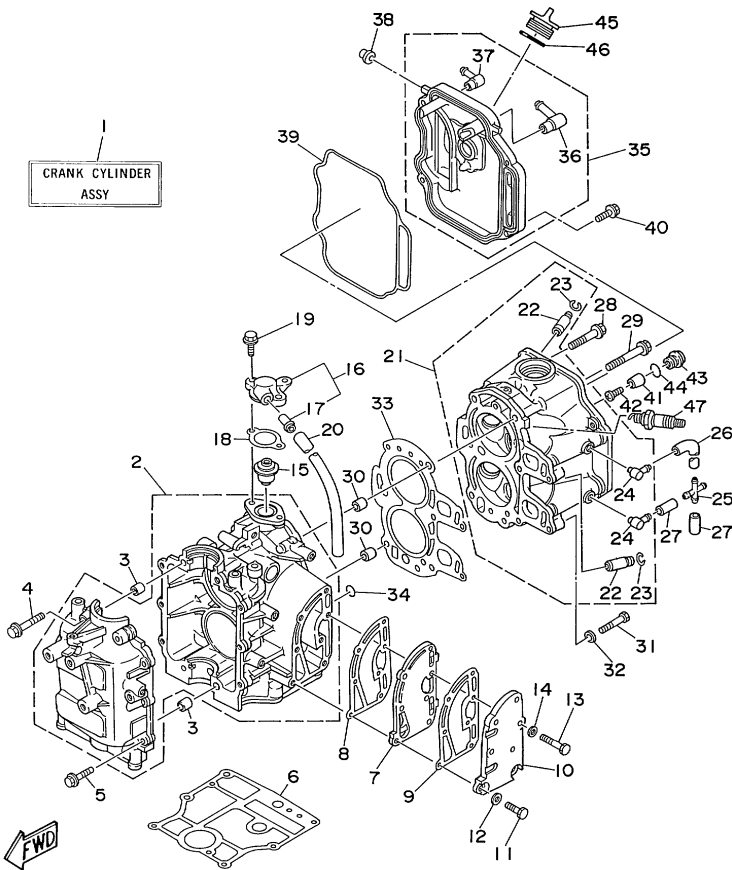


F9.9MLHW 1998 / CYLINDER CRANKCASE



©2014 Yamaha Motor Corporation, U.S.A. All rights reserved.




## Part List

F9.9MLHW 1998 / CYLINDER CRANKCASE

REF - NO	PART NUMBER	PART NAME	QUANTITY	REMARKS
1	6G8-W0090-33-4D	CRANK CYLINDER ASSEMBLY	1	
2	6G8-15100-05-94	CRANKCASE ASSEMBLY	1	
3	99510-10114-00	PIN, DOWEL	2	
4	90119-08M18-00	BOLT, WITH WASHER	4	
5	90119-06M12-00	BOLT, WITH WASHER	6	
6	6G8-11351-A0-00	.GASKET, CYLINDER	1	
7	6G8-41111-02-9M	INNER COVER, EXHAUST	1	
8	6G8-41112-02-00	.GASKET, EXHAUST INNER COVER	1	
9	6G8-41114-00-00	.GASKET, EXHAUST OUTER COVER	1	
10	6G8-41113-10-9M	OUTER COVER, EXHAUST	1	
11	97095-06025-00	BOLT	2	
12	92990-06600-00	.WASHER, PLATE	2	
13	97095-06030-00	.BOLT	5	
14	92990-06600-00	.WASHER, PLATE	5	
15	6G8-12411-02-00	THERMOSTAT	1	
16	6G8-12413-00-9M	COVER, THERMOSTAT	1	
17	6E5-24377-00-00	.PIPE, JOINT 2	1	
18	6G8-12414-A0-00	.GASKET, COVER	1	
19	97595-06520-00	BOLT, WITH WASHER	2	
20	90445-11M66-00	.HOSE (L410)	1	
21	6G8-11111-03-94	HEAD, CYLINDER 1	1	
22	6G8-11133-10-00	.GUIDE, VALVE 1	4	
23	93450-09M01-00	.CIRCLIP	4	
24	676-11372-00-00	.NIPPLE, HOSE	2	
25	6G9-24379-00-00	PIPE, JOINT 4	1	
26	6G8-12481-01-00	PIPE 1	1	
27	90445-09078-00	HOSE	2	
28	90105-08M37-00	BOLT, FLANGE	3	
29	90105-08M36-00	BOLT, FLANGE	3	
30	99510-10114-00	PIN, DOWEL	2	
31	97014-06035-00	BOLT, HEXAGON	2	
32	92990-06600-00	.WASHER, PLATE	2	
33	6G8-11181-A1-00	.GASKET, CYLINDER HEAD 1	1	
34	93210-11M59-00	.O-RING	1	
35	6G8-11191-01-94	COVER, CYLINDER HEAD 1	1	
36	6G8-15373-00-00	.PIPE, BREATHER	1	
37	676-11372-00-00	.NIPPLE, HOSE	1	
38	6G8-81336-00-00	GROMMET	2	
39	6G8-11356-00-00	SEAL, CYLINDER 2	1	
40	97595-06520-00	BOLT, WITH WASHER	4	
41	6G8-11325-00-00	ANODE	1	
42	98580-05525-00	SCREW, PAN HEAD	1	
43	6G8-11197-00-00	PLUG, BLIND	1	
44	93210-13M63-00	.O-RING	1	
45	6G8-15363-00-00	PLUG, OIL	1	
46	93210-24M79-00	.O-RING	1	
47	NGK-CR6HS-00-00	PLUG SPARK (NGK CR6HS)	2	

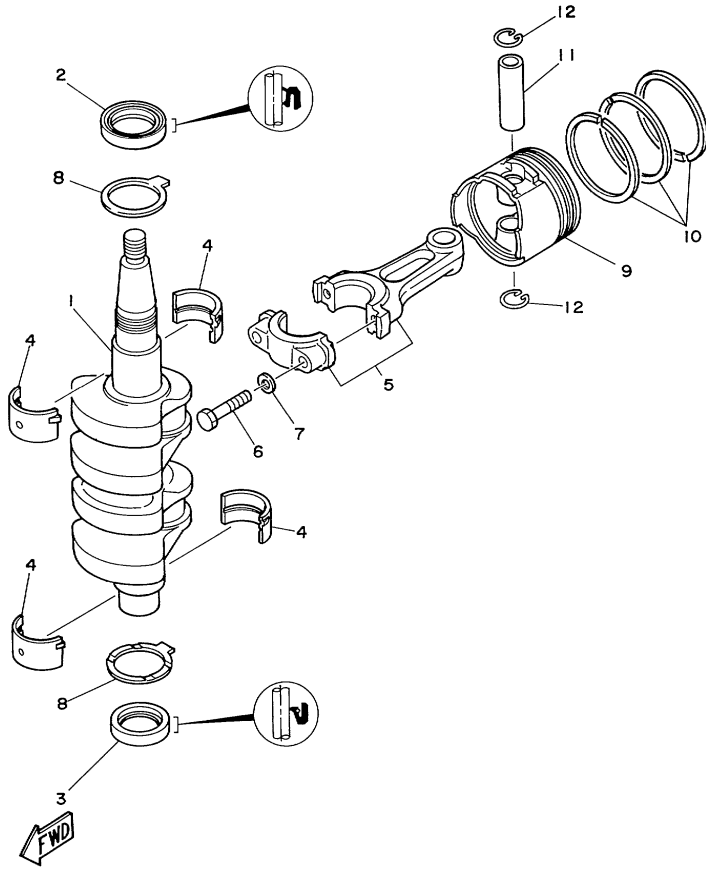
## Part Notes

F9.9MLHW 1998 / CYLINDER CRANKCASE

PART NUMBER	NOTE TEXT
92990-06600-00 	OEM: This part number is among the Top 100 Most Popular Marine Maintenance Parts as of March 2014.
92990-06600-00 	OEM: This part number is among the Top 100 Most Popular Marine Maintenance Parts as of March 2014.
92990-06600-00 	OEM: This part number is among the Top 100 Most Popular Marine Maintenance Parts as of March 2014.

©2014 Yamaha Motor Corporation, U.S.A. All rights reserved.

F9.9MLHW 1998 / CRANKSHAFT PISTON



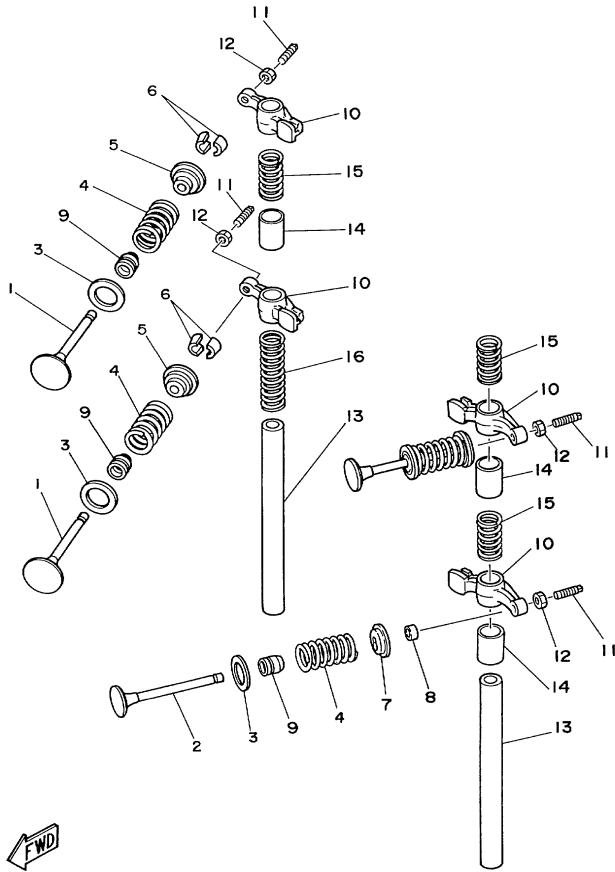
©2014 Yamaha Motor Corporation, U.S.A. All rights reserved.

## Part List

F9.9MLHW 1998 / CRANKSHAFT PISTON

REF - NO	PART NUMBER	PART NAME	QUANTITY	REMARKS
1	6G8-11411-04-00	CRANKSHAFT	1	
2	93102-30M22-00	.OIL SEAL	1	
3	93101-25M24-00	.OIL SEAL	1	
4	6G8-11416-10-00	PLANE BEARING, CRANKSHAFT 1	4	UR BLACK
4	6G8-11416-00-00	PLANE BEARING, CRANKSHAFT 1	4	UR BROWN
4	6G8-11416-20-00	PLANE BEARING, CRANKSHAFT 1	4	UR BLUE
5	6G8-11650-03-00	CONNECTING ROD ASSY	2	
6	6G8-11654-00-00	BOLT, CONNECTING ROD	4	
7	90201-06M00-00	WASHER, PLATE	4	
8	6G8-11426-00-00	PLANE BEARING, CRANKSHAFT 1	2	
9	6G8-11631-03-96	PISTON (STD)	2	
9	6G8-11636-03-00	PISTON (0.50MM O/S)	2	
10	6G8-11610-02-00	PISTON RING SET (STD)	2	
10	6G8-11610-22-00	PISTON RING SET (0.50MM O/S)	2	
11	634-11633-00-00	PIN, PISTON	2	
12	93450-15023-00	CIRCLIP	4	

F9.9MLHW 1998 / VALVE



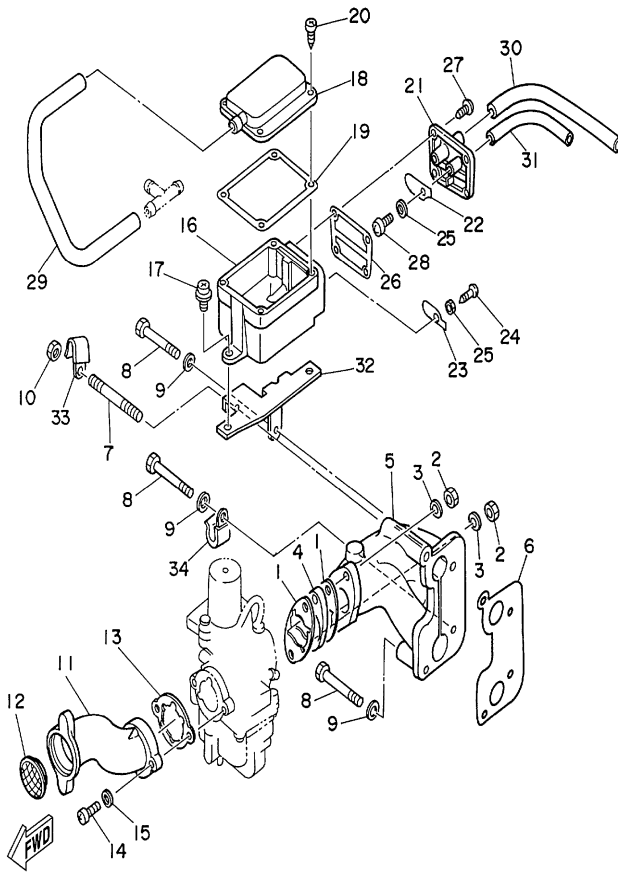
©2014 Yamaha Motor Corporation, U.S.A. All rights reserved.

## Part List

F9.9MLHW 1998 / VALVE

REF - NO	PART NUMBER	PART NAME	QUANTITY	REMARKS
1	6G8-12111-00-00	VALVE, INTAKE	2	
2	6G8-12121-01-00	VALVE, EXHAUST	2	
3	6G8-12116-00-00	SEAT, VALVE SPRING	4	
4	6G8-12113-00-00	SPRING, VALVE INNER	4	
5	6G8-12117-00-00	RETAINER, VALVE SPRING	2	
6	30X-12118-00-00	LOCK, VALVE SPRING RETAINER	4	
7	6G8-12117-10-00	RETAINER, VALVE SPRING	2	
8	6G8-12153-00-00	LIFTER, VALVE	2	
9	51Y-12119-00-00	SEAL, VALVE STEM	4	
10	6G8-12151-00-00	ARM, VALVE ROCKER	4	
11	6G8-12159-00-00	SCREW, VALVE ADJUSTING	4	
12	6G8-12158-00-00	NUT, LOCK	4	
13	6G8-12146-00-00	SHAFT, ROCKER	2	
14	90387-13M56-00	COLLAR	3	
15	90501-12M40-00	SPRING, COMPRESSION	3	
16	90501-12M41-00	SPRING, COMPRESSION	1	

F9.9MLHW 1998 / INTAKE





©2014 Yamaha Motor Corporation, U.S.A. All rights reserved.

Part List *F9.9MLHW 1998 / INTAKE*

REF - NO	PART NUMBER	PART NAME	QUANTITY	REMARKS
1	6G8-13646-A0-00	.GASKET, MANIFOLD 2	2	
2	95380-06700-00	NUT	2	
3	92990-06600-00	.WASHER, PLATE	2	
4	6G8-13647-00-00	GASKET, MANIFOLD 3	1	
5	6G8-13641-01-94	MANIFOLD 1	1	
6	6G8-13645-00-00	.GASKET, MANIFOLD 1	1	
7	90116-06M15-00	BOLT, STUD	1	
8	97095-06045-00	.BOLT	3	
9	92990-06600-00	.WASHER, PLATE	3	
10	95380-06700-00	NUT	1	
11	6G8-14479-02-94	FUNNEL	1	
12	6G8-14478-00-00	LOUVER	1	
13	6G8-14198-A0-00	.GASKET	1	
14	98580-05016-00	SCREW, PAN HEAD	2	
15	92990-05600-00	WASHER, PLATE	2	
16	6G8-15358-00-00	SEPARATOR, OIL	1	
17	90159-06M05-00	SCREW, WITH WASHER	2	
18	6G8-15368-00-94	SEPERATOR, OIL	1	
19	6G8-15369-00-00	GASKET, OIL SEAL HOUSING	1	
20	97780-40112-00	.SCREW, TAPPING	4	
21	6G8-15371-00-94	BREATHER	1	
22	6G8-15346-00-00	BREATHER 1	1	
23	6G8-15347-00-00	BREATHER 2	1	
24	97780-40112-00	.SCREW, TAPPING	1	
25	92990-04200-00	WASHER	2	
26	6G8-15374-00-00	.GASKET, BREATHER	1	
27	97780-40112-00	.SCREW, TAPPING	4	
28	98507-04010-00	.SCREW, PAN HEAD	1	
29	6G8-15393-00-00	PIPE, BREATHER 2	1	
30	90445-11M52-00	HOSE (L150)	1	
31	90445-09078-00	HOSE	1	
32	6G8-15376-00-00	HOLDER, GUIDE	1	
33	90465-08028-00	CLAMP	1	
34	90465-08028-00	CLAMP	1	

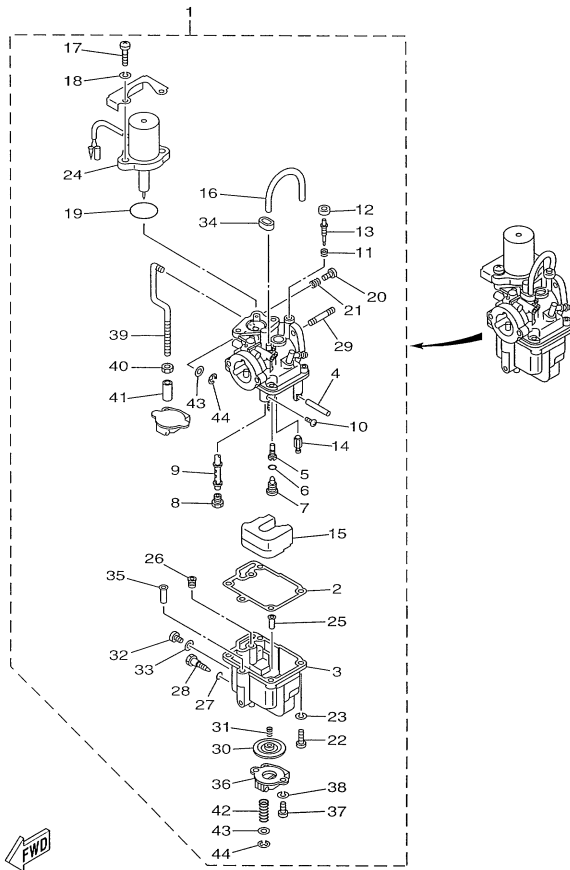
Part Notes *F9.9MLHW 1998 / INTAKE*

PART NUMBER	NOTE TEXT
92990-06600-00 	OEM: This part number is among the Top 100 Most Popular Marine Maintenance Parts as of March 2014.
92990-06600-00 	OEM: This part number is among the Top 100 Most Popular Marine Maintenance Parts as of March 2014.

©2014 Yamaha Motor Corporation, U.S.A. All rights reserved.



F9.9MLHW 1998 / CARBURETOR



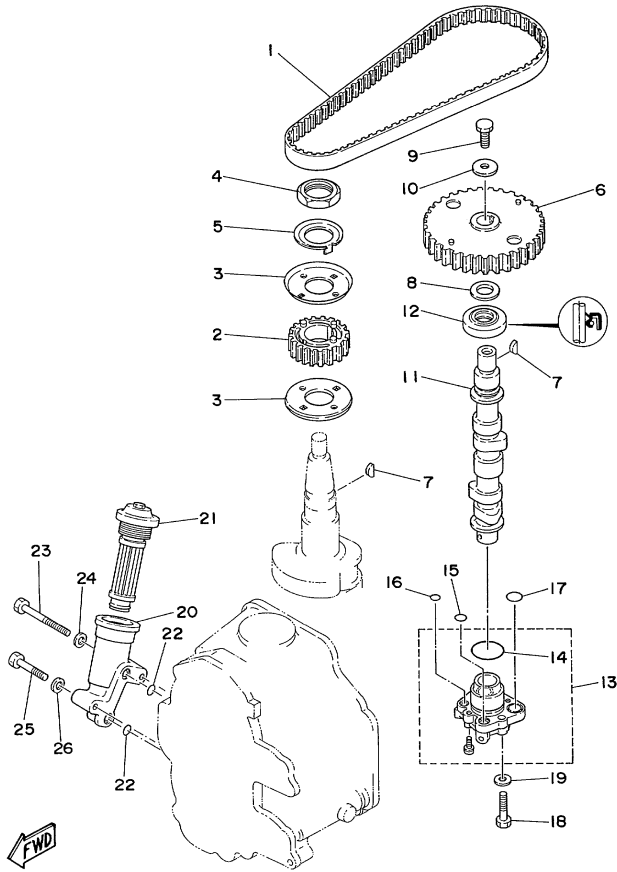
©2014 Yamaha Motor Corporation, U.S.A. All rights reserved.

## Part List

F9.9MLHW 1998 / CARBURETOR

REF - NO	PART NUMBER	PART NAME	QUANTITY	REMARKS
1	6G9-14301-05-00	CARBURETOR ASSEMBLY 1	1	
2	6G8-14384-01-00	.GASKET, FLOAT CHAMBER	1	
3	6G8-14381-02-00	.BODY, FLOAT CHAMBER	1	
4	647-14386-10-00	.PIN, FLOAT	1	
5	6G8-14342-24-00	.JET, PILOT (#48)	1	
6	654-14198-00-00	.GASKET	1	
7	6G8-14345-00-00	.PLUG, MAIN NOZZLE	1	
8	648-14343-43-00	.JET, MAIN (#86)	1	
9	6G8-14341-20-00	.NOZZLE, MAIN	1	
10	6G8-14216-00-00	.SCREW	1	
11	647-14334-00-00	.SPRING	1	
12	6G8-14997-00-00	.SEAL	1	
13	6G8-14323-00-00	.SCREW, AIR ADJUSTING	1	
14	6G8-14392-00-00	.VALVE, NEEDLE	1	
15	6G8-14385-00-00	.FLOAT	1	
16	6G8-14197-01-00	.PIPE	1	
17	97880-06018-00	.SCREW, PAN HEAD	2	
18	92995-06100-00	WASHER, SPRING	2	
19	1HV-14147-00-00	.O-RING	1	
20	664-14321-01-00	.SCREW, THROTTLE	1	
21	646-14212-00-00	.SPRING, PILOT ADJUSTING	1	
22	98580-04016-00	.SCREW, PAN HEAD	4	
23	92990-04100-00	.WASHER, SPRING	4	
24	6G8-1410A-01-00	.STARTER SET	1	
25	6G8-14827-00-00	.FILTER	1	
26	6A4-14344-30-00	.JET, STARTER (#60)	1	
27	5Y1-14397-00-00	.O-RING	1	
28	6G8-14383-00-00	.SCREW, DRAIN	1	
29	90116-06M26-00	.BOLT, STUD	2	
30	6G8-14368-02-00	.DIAPHRAGM ASSEMBLY	1	
31	6G8-14275-00-00	.SPRING	1	
32	97890-05006-00	.SCREW, PAN HEAD	1	
33	646-14198-01-00	.GASKET	1	
34	6G8-14349-00-00	.PIPE	1	
35	6G8-14217-00-00	.VALVE, CHOKE	1	
36	6G8-14293-03-00	.COVER 1	1	
37	98580-04010-00	.SCREW, PAN HEAD	2	
38	92990-04100-00	.WASHER, SPRING	2	
39	6G8-14379-00-00	.ROD, STARTER	1	
40	98813-03100-00	.NUT	1	
41	6G8-14229-00-00	.SHAFT, CHOKE	1	
42	6G8-14286-00-00	.SPRING	1	
43	6G8-14357-00-00	.WASHER, PLAIN	2	
44	389-14137-00-00	.CLIP	2	

F9.9MLHW 1998 / OIL PUMP



©2014 Yamaha Motor Corporation, U.S.A. All rights reserved.




Part List

F9.9MLHW 1998 / OIL PUMP

REF - NO	PART NUMBER	PART NAME	QUANTITY	REMARKS
1	6G8-46241-00-00	V-BELT	1	
2	6G8-11536-00-94	GEAR, DRIVE	1	
3	6G8-11557-00-00	WASHER 1	2	
4	90170-24M09-00	NUT	1	
5	6G8-11587-00-00	WASHER, LOCK	1	
6	6G8-11537-00-94	GEAR, DRIVEN	1	
7	90280-03M01-00	.KEY, WOODRUFF	2	
8	90201-13201-00	WASHER, PLATE	1	
9	97095-06016-00	BOLT	1	
10	90201-06M94-00	WASHER, PLATE	1	
11	6G8-12171-00-00	CAMSHAFT 1	1	
12	93102-18M21-00	.OIL SEAL	1	
13	6G8-13300-02-00	OIL PUMP ASSY	1	
14	93210-27ME3-00	.O-RING	1	
15	93210-10M61-00	.O-RING	1	
16	93210-09M01-00	.O-RING	1	
17	93210-13M63-00	.O-RING	2	
18	97095-06025-00	BOLT	3	
19	92990-06600-00	.WASHER, PLATE	3	
20	6G8-13442-00-94	HOUSING, OIL FILTER	1	
21	6G8-13440-00-00	ELEMENT ASSY,OIL CLEANER	1	
22	93210-09M01-00	.O-RING	2	
23	97313-06050-00	BOLT	1	
24	92990-06600-00	.WASHER, PLATE	1	
25	97095-06030-00	.BOLT	1	
26	92990-06600-00	.WASHER, PLATE	1	

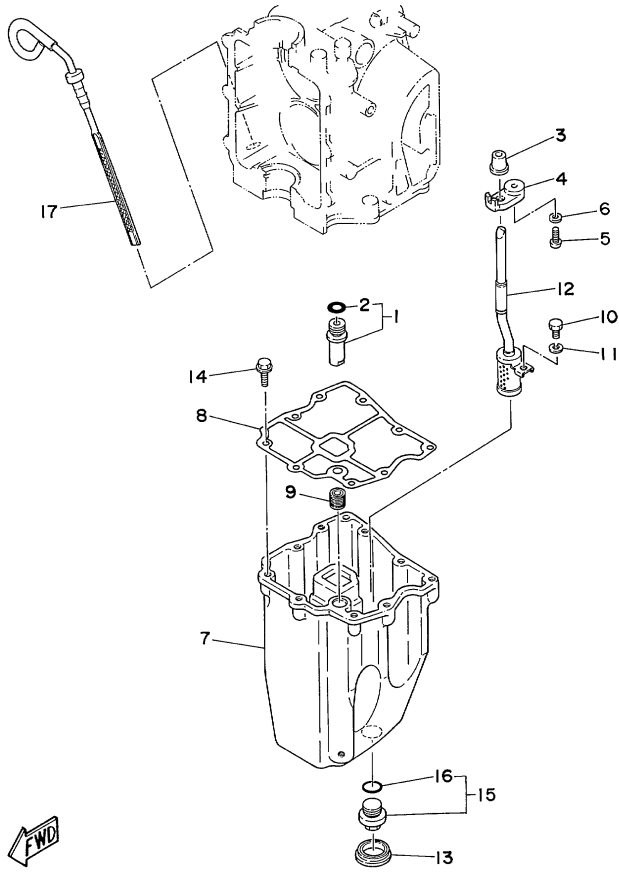
Part Notes

F9.9MLHW 1998 / OIL PUMP

PART NUMBER	NOTE TEXT
92990-06600-00 	OEM: This part number is among the Top 100 Most Popular Marine Maintenance Parts as of March 2014.
92990-06600-00 	OEM: This part number is among the Top 100 Most Popular Marine Maintenance Parts as of March 2014.
92990-06600-00 	OEM: This part number is among the Top 100 Most Popular Marine Maintenance Parts as of March 2014.

©2014 Yamaha Motor Corporation, U.S.A. All rights reserved.

F9.9MLHW 1998 / OIL PAN



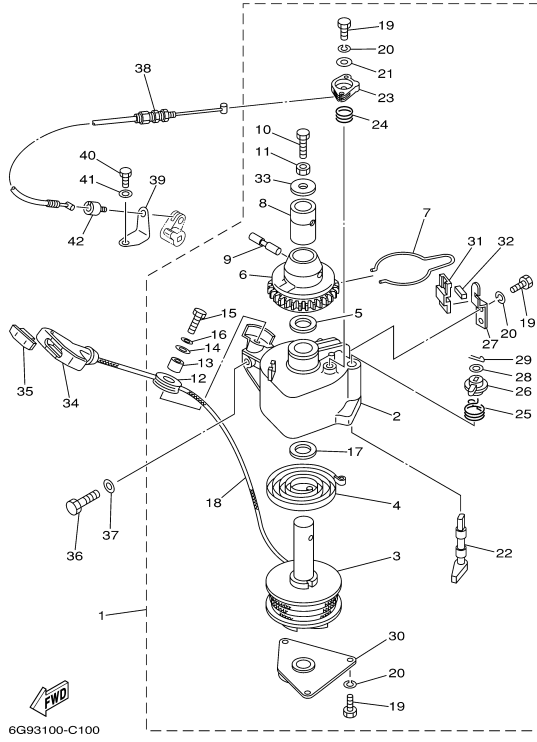
©2014 Yamaha Motor Corporation, U.S.A. All rights reserved.

## Part List

F9.9MLHW 1998 / OIL PAN

REF - NO	PART NUMBER	PART NAME	QUANTITY	REMARKS
1	6G8-11575-00-00	RELIEF VALVE ASSY	1	
2	93210-12M62-00	.O-RING	1	
3	6G8-15379-00-00	SEAL, CRANKCASE	1	
4	6G8-13487-00-00	GUIDE, OIL HOSE	1	
5	98580-05012-00	.SCREW, PAN HEAD	1	
6	92990-05600-00	WASHER, PLATE	1	
7	6G8-15311-03-0D	OIL PAN	1	
8	6G8-15312-A1-00	.GASKET, OIL PAN	1	
9	6G8-45127-00-00	SEAL	1	
10	97095-06010-00	BOLT	1	
11	92995-06100-00	WASHER, SPRING	1	
12	6G8-13421-00-00	STRAINER 2	1	
13	6G8-15316-00-00	DAMPER, ENGINE MOUNT 1	1	
14	90105-06M33-00	BOLT, FLANGE	9	
15	6G8-13471-00-00	PLUG, DRAIN	1	
16	93210-16716-00	.O-RING	1	
17	6G8-15362-04-00	PLUG, OIL LEVEL	1	

F9.9MLHW 1998 / STARTER F9.9MH



6G93100-C100


Part List

F9.9MLHW 1998 / STARTER F9.9MH

REF - NO	PART NUMBER	PART NAME	QUANTITY	REMARKS
1	6G8-15710-10-00	STARTER ASSY	1	
2	6G8-15711-00-00	.CASE, STARTER	1	
3	6G8-15714-00-00	.DRUM, SHEAVE	1	
4	6G8-15713-00-00	.SPRING, STARTER	1	
5	6G8-15719-00-00	.WASHER, THRUST	1	
6	6G8-15723-00-00	.PULLEY, STARTER	1	
7	6G8-15715-00-00	.SPRING, FRICTION	1	
8	6G8-15754-00-00	.BUSH 2	1	
9	6G8-15727-00-00	.PIN	1	
10	6G8-15768-00-00	.BOLT	1	
11	95304-08700-00	NUT	1	
12	6F5-15752-00-00	.ROLLER, WIRE	1	
13	6F5-15753-00-00	.BUSH	1	
14	6F5-15791-00-00	.WASHER, LOCK	1	
15	97315-06025-00	.BOLT	1	
16	92995-06100-00	WASHER, SPRING	1	
17	6G8-15739-00-00	.WASHER, THRUST	1	
18	90580-50M01-00	.ROPE, STARTER	1	
19	97013-05012-00	BOLT	6	
20	92990-05100-00	.WASHER, SPRING	6	
21	6G8-15726-00-00	.WASHER, FLAT	1	
22	6G8-15794-00-00	.STOPPER	1	
23	6G8-15746-00-00	.ARM	1	
24	6G8-15767-00-00	.SPRING	1	
25	6G8-15734-00-00	.SPRING, RETURN	1	
26	6G8-15747-00-00	.LINK	1	
27	6G8-15716-00-00	.PLATE, DRIVE	1	
28	92990-06200-00	WASHER, PLAIN	1	
29	91490-16020-00	.PIN, COTTER	1	
30	6G8-15712-00-00	.COVER, STARTER CASE	1	
31	6G8-15779-00-00	.COVER	1	
32	6G8-15789-00-00	.DAMPER	1	
33	6G8-15742-00-00	.WASHER, DRIVE PAWL	1	
34	6G1-15755-00-00	.HANDLE, STARTER	1	
35	689-15779-01-00	COVER	1	
36	97013-08030-00	BOLT	3	
37	92990-08600-00	.WASHER, PLATE	3	
38	6G8-15770-00-00	CABLE COMP., STARTER STOP	1	
39	6G8-15771-00-00	STAY 1	1	
40	97095-06012-00	BOLT	1	
41	92990-06600-00	.WASHER, PLATE	1	
42	6G8-15772-00-00	STAY 2	1	

Part Notes

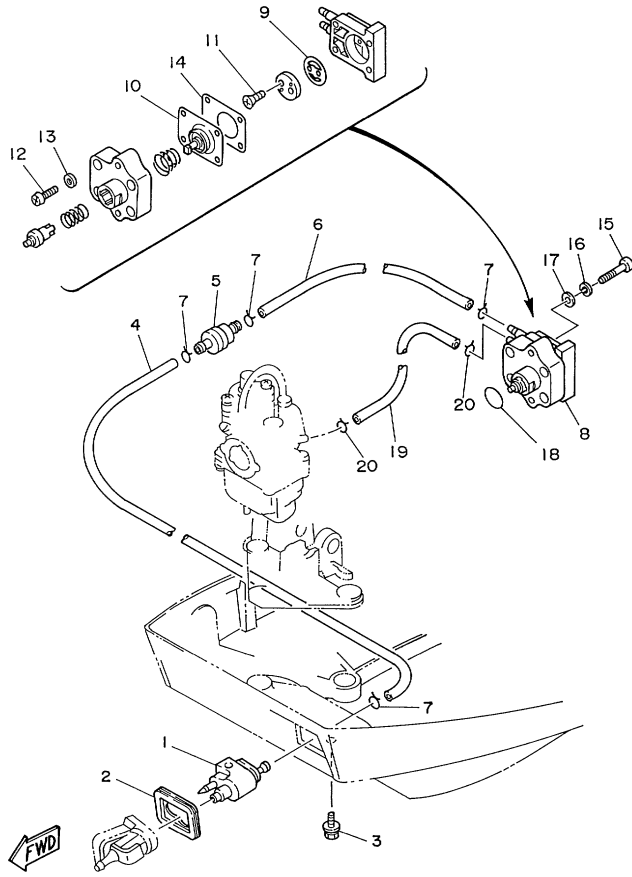
F9.9MLHW 1998 / STARTER F9.9MH

PART NUMBER	NOTE TEXT
92990-06600-00 	OEM: This part number is among the Top 100 Most Popular Marine Maintenance Parts as of March 2014.

©2014 Yamaha Motor Corporation, U.S.A. All rights reserved.



F9.9MLHW 1998 / FUEL



©2014 Yamaha Motor Corporation, U.S.A. All rights reserved.




Part List

F9.9MLHW 1998 / FUEL

REF - NO	PART NUMBER	PART NAME	QUANTITY	REMARKS
1	6G1-24304-02-00	FUEL PIPE JOINT COMP. 1	1	
2	6G8-24329-00-00	SEAL	1	
3	97595-06520-00	BOLT, WITH WASHER	1	
4	6G8-24311-00-00	PIPE, FUEL 1	1	
5	646-24251-02-00	.STRAINER 1	1	
6	90445-09078-00	HOSE	1	
7	90467-08004-00	CLIP	4	
8	6G8-24410-03-00	FUEL PUMP ASSY	1	
9	6G8-24421-00-00	.VALVE, CHECK	1	
10	6G8-24411-02-00	.DIAPHRAGM	1	
11	98780-03008-00	.SCREW, FLAT HEAD	2	
12	98580-04014-00	.SCREW, PAN HEAD	4	
13	92990-04200-00	WASHER	4	
14	6G8-24471-00-00	.DIAPHRAGM	1	
15	98580-06025-00	SCREW, PAN HEAD	2	
16	92995-06100-00	WASHER, SPRING	2	
17	92990-06600-00	.WASHER, PLATE	2	
18	93210-20M65-00	.O-RING	1	
19	90445-09332-00	HOSE (JN3)	1	
20	90467-08004-00	CLIP	2	

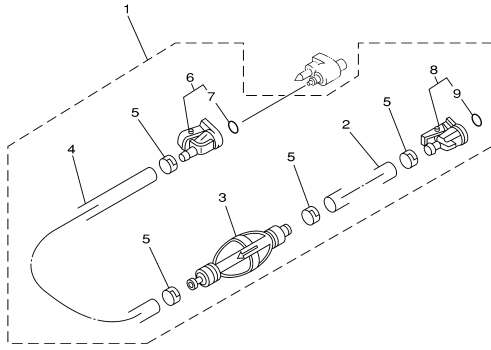
Part Notes

F9.9MLHW 1998 / FUEL

PART NUMBER	NOTE TEXT
646-24251-02-00	 OEM: This part number is among the Top 100 Most Popular Marine Maintenance Parts as of March 2014.
6G8-24410-03-00	 OEM: The new pump has two additional barbs installed in the base so that cooling water from the overboard water pump indicator can be routed through the fuel pump to prevent vapor lock condit
92990-06600-00	 OEM: This part number is among the Top 100 Most Popular Marine Maintenance Parts as of March 2014.

©2014 Yamaha Motor Corporation, U.S.A. All rights reserved.

F9.9MLHW 1998 / FUEL 2

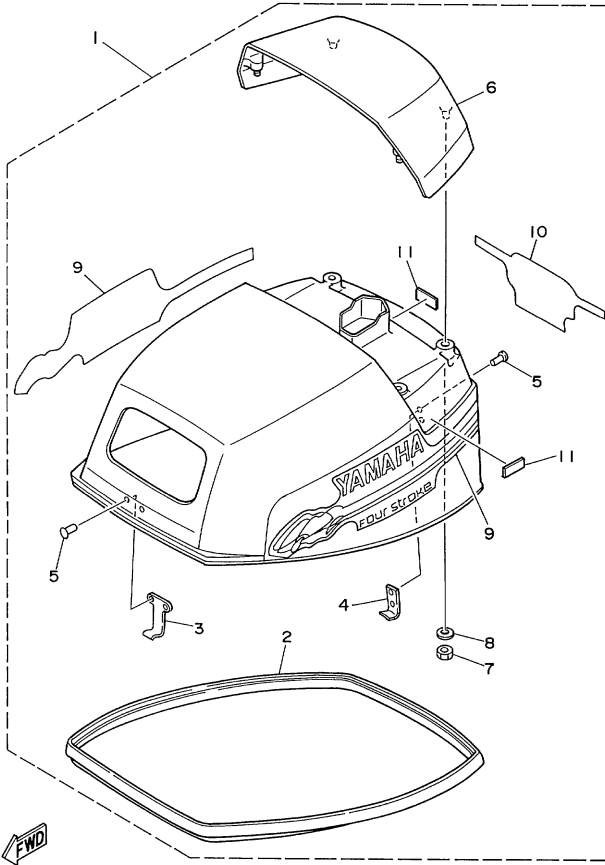


## Part List

F9.9MLHW 1998 / FUEL 2

REF - NO	PART NUMBER	PART NAME	QUANTITY	REMARKS
1	6Y1-24306-51-00	FUEL PIPE COMP. 1	1	AP
2	90445-11M06-00	.HOSE (L2050)	1	
3	6Y1-24360-51-00	.PRIMER PUMP ASSY	1	
4	90445-11M05-00	.HOSE (L850)	1	
5	650-24351-51-00	.BAND 1	4	
6	6G1-24305-01-00	.FUEL PIPE JOINT COMP 2	1	
7	93210-08287-00	.O-RING	1	
8	6Y1-24305-02-00	.FUEL PIPE JOINT COMP 2	1	
9	93210-08287-00	.O-RING	1	

F9.9MLHW 1998 / TOP COWLING



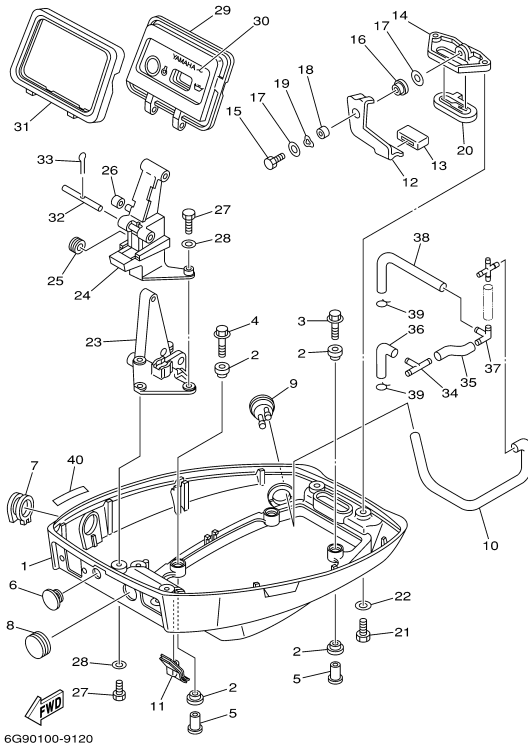
©2014 Yamaha Motor Corporation, U.S.A. All rights reserved.

## Part List

F9.9MLHW 1998 / TOP COWLING

REF - NO	PART NUMBER	PART NAME	QUANTITY	REMARKS
1	6G9-42610-14-4D	TOP COWLING ASSY	1	
2	6G8-42615-01-00	.SEAL	1	
3	6G8-42651-00-00	.HOOK	1	
4	6G8-42652-00-00	.HOOK	1	
5	90266-04M04-00	.RIVET	4	
6	6G8-42613-01-4D	.MOLDING, AIR DUCT	1	
7	95380-06700-00	NUT	4	
8	92990-06200-00	WASHER, PLAIN	4	
9	6G9-W0070-13-00	.GRAPHIC SET	1	
10	6G9-42678-13-00	.GRAPHIC, REAR	1	
11	6G8-42662-00-00	.DAMPER	3	

F9.9MLHW 1998 / BOTTOM COWLING



©2014 Yamaha Motor Corporation, U.S.A. All rights reserved.

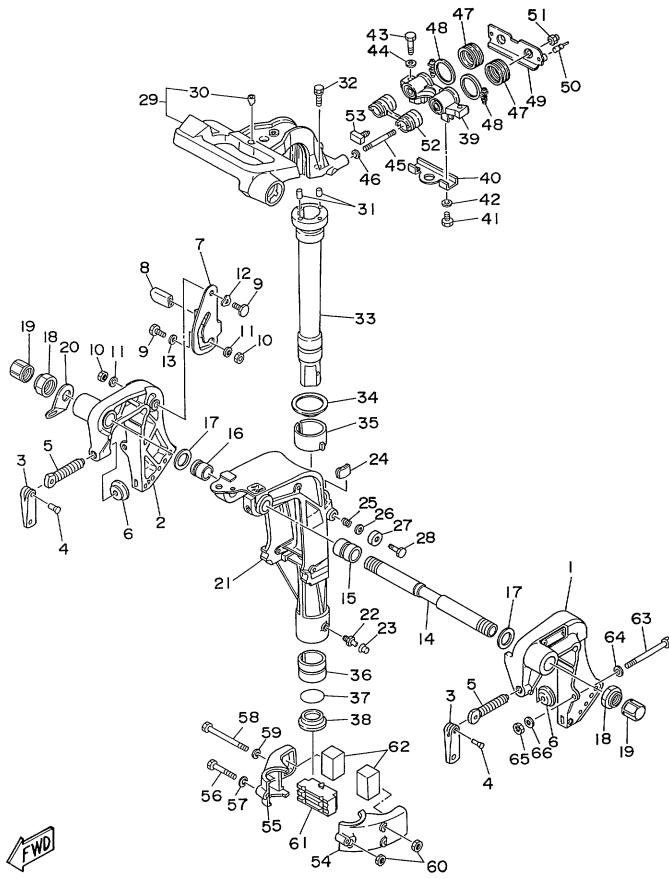
## Part List

F9.9MLHW 1998 / BOTTOM COWLING

REF - NO	PART NUMBER	PART NAME	QUANTITY	REMARKS
1	6G8-42711-02-4D	COWLING, BOTTOM 1	1	
2	90480-09M35-00	GROMMET	8	
3	90119-06M56-00	BOLT, WITH WASHER	2	
4	90119-06M55-00	BOLT, WITH WASHER	2	
5	90387-06M15-00	COLLAR	4	
6	90480-17165-00	GROMMET	1	UR ER
7	6G8-42725-00-00	GROMMET 2	1	UR ER
7	6G9-42724-00-00	GROMMET	1	UR MH
8	6G8-42725-10-00	GROMMET	1	UR MH
9	6G8-44391-00-00	NIPPLE, HOSE	1	
10	90445-09163-00	HOSE (L235)	1	
11	6G8-42727-00-00	GROMMET	1	
12	6G8-42815-00-00	LEVER, CLAMP	1	
13	6G8-42831-00-00	BUSHING	1	
14	6G8-42811-00-94	STAY	1	
15	97095-06016-00	BOLT	1	
16	90386-08M49-00	BUSH	1	
17	90201-06M31-00	.WASHER, PLATE	2	
18	90387-06M72-00	COLLAR	1	
19	90206-08M13-00	WASHER, WAVE	1	
20	6G8-42748-00-00	GROMMET	1	
21	97095-06016-00	BOLT	2	
22	92995-06600-00	.WASHER	2	
23	6G8-42738-00-94	PLATE, FITTING	1	
24	6G8-42719-00-94	PANEL, FRONT LOWER	1	
25	90480-19031-00	GROMMET	1	
26	90445-05ME6-00	HOSE (L8)	1	
27	97095-06016-00	BOLT	4	
28	92995-06600-00	.WASHER	4	
29	6G8-42614-02-00	PANEL, FRONT UPPER	1	
30	6G8-42677-00-00	GRAPHIC, FRONT	1	UR MH
30	6G8-42677-20-00	GRAPHIC, FRONT	1	UR ER
31	6G8-42629-02-00	SEAL	1	
32	6G8-42755-00-00	HINGE, COWLING	1	
33	91490-16010-00	PIN, COTTER	1	
34	6G8-24379-00-00	PIPE, JOINT 4	1	
35	90445-10M78-00	HOSE (L50)	1	
36	6G8-12476-00-00	PIPE 6	1	
37	6G8-24378-01-00	PIPE, JOINT 3	1	
38	6G8-12485-00-00	PIPE 5	1	
39	90467-10M04-00	CLIP	2	
40	6E0-44191-11-00	INDICATOR, SHIFT	1	



F9.9MLHW 1998 / BRACKET 1



©2014 Yamaha Motor Corporation, U.S.A. All rights reserved.





Part List

F9.9MLHW 1998 / BRACKET 1

REF - NO	PART NUMBER	PART NAME	QUANTITY	REMARKS
1	6G8-43111-04-4D	BRACKET, CLAMP 1	1	
2	6G8-43112-04-4D	BRACKET, CLAMP 2	1	
3	6E0-43118-01-00	HANDLE, TRANSOM CLAMP	2	
4	90243-04M01-00	PIN	2	
5	6E7-43116-00-00	SCREW, TRANSOM CLAMP	2	
6	648-43114-01-00	PAD, TRANSOM CLAMP	2	
7	6G8-43181-00-00	LEVER, TILT STOP	1	
8	682-43318-01-00	COVER	1	
9	90109-06M25-00	BOLT	2	
10	95680-06100-00	NUT, U	2	
11	92990-06600-00	.WASHER, PLATE	2	
12	90206-10M15-00	WASHER, WAVE	1	
13	682-43339-01-00	WASHER	1	
14	6G8-43131-00-00	BOLT, CLAMP BRACKET	1	
15	903-8622M-92-00	BUSH	1	
16	90386-22M93-00	BUSH	1	
17	90201-22M03-00	WASHER, PLATE	2	
18	90185-22M11-00	NUT, SELF-LOCKING	2	
19	6G5-43145-00-00	CAP, CLAMP BRACKET	2	
20	6J8-43113-01-00	PLATE, CLAMP BRACKET	1	
21	6G8-43311-15-4D	BRACKET, SWIVEL 1	1	UR LONG
21	6G9-43311-04-4D	BRACKET, SWIVEL 1	1	UR SHORT
22	93700-06M03-00	NIPPLE, GREASE	1	
23	663-45119-00-00	CAP, GREASE NIPPLE	1	
24	6G8-42528-00-00	PLATE, FRICTION	1	
25	90501-18M00-00	SPRING, COMPRESSION	1	
26	90201-06M31-00	.WASHER, PLATE	1	
27	6G8-43373-00-00	SEAL, DAMPER	1	
28	97095-06025-00	BOLT	1	
29	6G9-42511-01-4D	BRACKET, STEERING	1	
30	6G8-42534-00-00	.PIN, DOWEL	1	
31	93605-15065-00	PIN, DOWEL	2	
32	90119-06M06-00	BOLT, WITH WASHER	2	
33	6G8-42521-10-94	SHAFT, STEERING PIVOT	1	UR LONG
33	6G9-42521-00-94	SHAFT, STEERING PIVOT	1	UR SHORT
34	90209-45M09-00	WASHER	1	
35	6G8-42537-00-00	BUSHING, PIVOT SHAFT	1	
36	90386-37M47-00	BUSH	1	
37	93210-37M67-00	O-RING	1	
38	90386-37M48-00	BUSH	1	
39	6G8-44517-00-94	MOUNT RUBBER	1	
40	6G8-44526-00-00	PLATE	1	
41	97095-06012-00	BOLT	2	
42	92990-06600-00	.WASHER, PLATE	2	
43	97095-08030-00	BOLT	2	
44	92990-08600-00	.WASHER, PLATE	2	
45	90116-08M28-00	BOLT, STUD	2	
46	90201-08M12-00	.WASHER, PLATE	2	
47	6G8-44522-00-00	SEAL	2	
48	90460-38M06-00	CLAMP, HOSE	2	
49	6G8-44518-00-00	BRACKET COMP.	1	
50	6G8-44533-00-00	DAMPER, UPPER MOUNT RUBBER	2	
51	95780-08300-00	..NUT, FLANGE	2	
52	6G8-44521-00-00	SEAL	1	
53	6G8-44532-00-00	STOPPER, UPPER MOUNT	1	
54	6G8-44551-01-4D	HOUSING, LOWER MOUNT RUBBER	1	
55	6G8-44552-02-4D	HOUSING, LOWER MOUNT RUBBER	1	
56	97095-06045-00	.BOLT	1	
57	92990-06600-00	.WASHER, PLATE	1	
58	97095-06095-00	BOLT	2	
59	92990-06600-00	.WASHER, PLATE	2	
60	95380-06700-00	NUT	3	
61	6G8-44557-00-00	MOUNT DAMPER, LOWER FRONT	1	
62	682-44555-00-00	MOUNT DAMPER, LOWER SIDE	2	
63	90101-08M88-00	BOLT	2	
64	92990-08600-00	..WASHER, PLATE	2	
65	95780-08300-00	..NUT, FLANGE	2	
66	90201-08MA4-00	WASHER, PLATE	2	

Part Notes

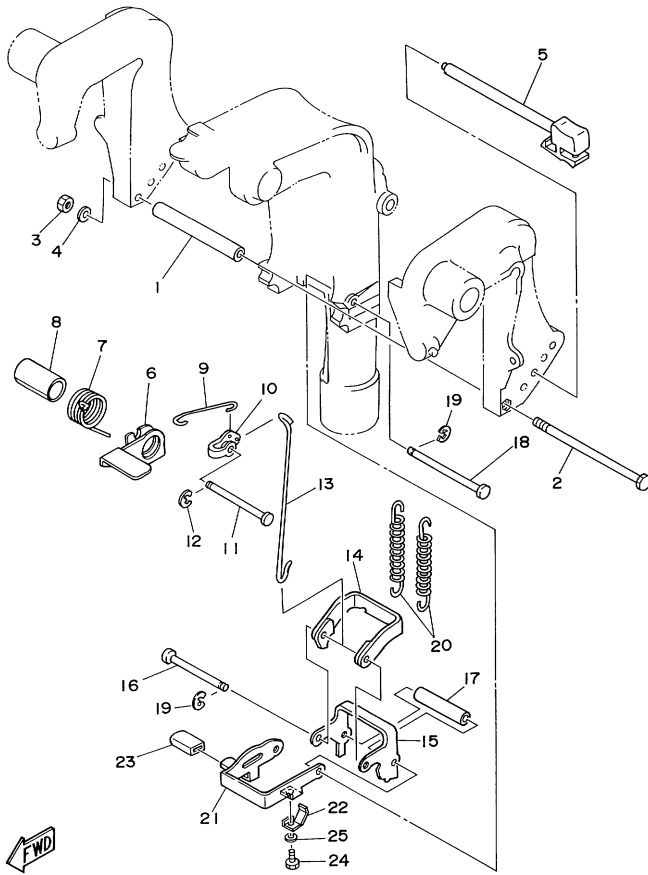
F9.9MLHW 1998 / BRACKET 1

PART NUMBER	NOTE TEXT
92990-06600-00 	OEM: This part number is among the Top 100 Most Popular Marine Maintenance Parts as of March 2014.
92990-06600-00 	OEM: This part number is among the Top 100 Most Popular Marine Maintenance Parts as of March 2014.
92990-06600-00 	OEM: This part number is among the Top 100 Most Popular Marine Maintenance Parts as of March 2014.
92990-06600-00 	OEM: This part number is among the Top 100 Most Popular Marine Maintenance Parts as of March 2014.

©2014 Yamaha Motor Corporation, U.S.A. All rights reserved.



F9.9MLHW 1998 / BRACKET 2



©2014 Yamaha Motor Corporation, U.S.A. All rights reserved.



Part List

F9.9MLHW 1998 / BRACKET 2

REF - NO	PART NUMBER	PART NAME	QUANTITY	REMARKS
1	90387-06M09-00	COLLAR	1	
2	97095-06135-00	BOLT	1	
3	95380-06700-00	NUT	1	
4	92990-06600-00	WASHER, PLATE	1	
5	6G8-43160-01-00	TILT ROD ASSY	1	
6	6G8-43631-03-00	LEVER, TILT	1	
7	90508-18M33-00	SPRING, TORSION	1	
8	90386-20M94-00	BUSH	1	
9	6G8-43616-00-00	ROD, TILT LOCK	1	
10	682-43641-00-00	LEVER, TILT	1	
11	90249-06M20-00	PIN	1	
12	99080-05600-00	CIRCLIP	1	
13	6G8-43617-00-00	ROD, TILT LOCK	1	
14	682-43614-00-00	PLATE, TILT LOCK	1	
15	682-43615-01-00	PLATE, TILT LOCK	1	
16	682-43611-01-00	SHAFT, TILT LOCK	1	
17	90387-06M20-00	COLLAR	1	
18	682-43659-00-00	SHAFT, REVERSE LOCK	1	
19	99080-05600-00	CIRCLIP	2	
20	90506-26M07-00	SPRING, TENSION	2	UR FOR DUAL THRUST PROP.
20	90506-26M01-00	SPRING, TENSION	2	
21	6G9-43681-00-00	LEVER, SHALLOW WATER DRIVE 1	1	
22	6G9-43643-00-00	SPRING	1	
23	682-43318-01-00	COVER	1	
24	97095-06008-00	BOLT	1	
25	92990-06600-00	WASHER, PLATE	1	

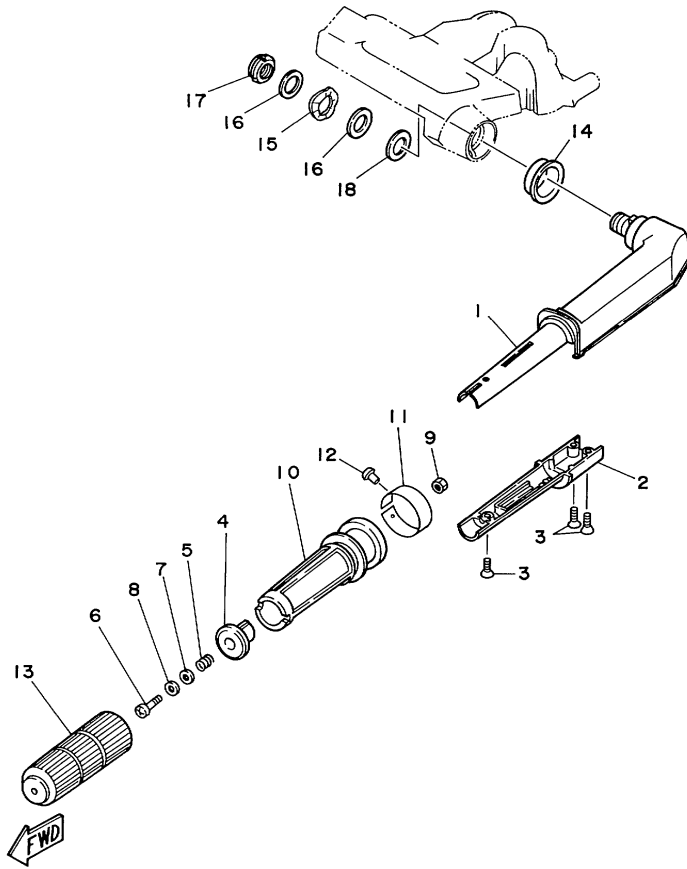
Part Notes

F9.9MLHW 1998 / BRACKET 2

PART NUMBER	NOTE TEXT
92990-06600-00 	OEM: This part number is among the Top 100 Most Popular Marine Maintenance Parts as of March 2014.
92990-06600-00 	OEM: This part number is among the Top 100 Most Popular Marine Maintenance Parts as of March 2014.

©2014 Yamaha Motor Corporation, U.S.A. All rights reserved.

F9.9MLHW 1998 / STEERING F9.9MH



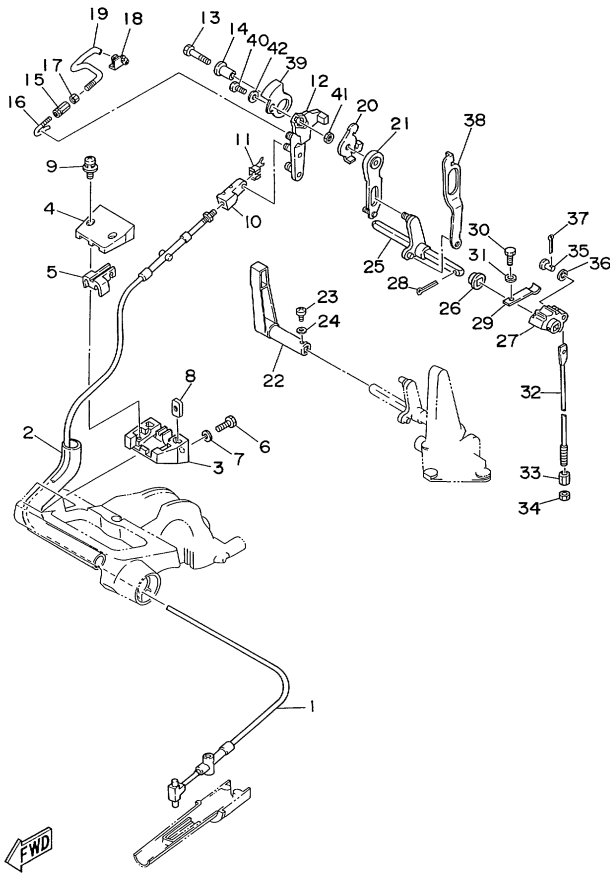
©2014 Yamaha Motor Corporation, U.S.A. All rights reserved.

## Part List

F9.9MLHW 1998 / STEERING F9.9MH

REF - NO	PART NUMBER	PART NAME	QUANTITY	REMARKS
1	6G9-42111-02-4D	HANDLE, STEERING	1	
2	6G9-42112-01-4D	HANDLE, STEERING	1	
3	98780-05016-00	.SCREW, FLAT HEAD	3	
4	6G8-42126-01-94	FRICITION, STEERING HANDLE GRIP	1	
5	90501-23M42-00	SPRING, COMPRESSION	1	
6	97880-06030-00	SCREW, PAN HEAD	1	
7	90201-06049-00	WASHER, PLATE	1	
8	90202-06007-00	WASHER, PLATE	1	
9	95380-06700-00	NUT	1	
10	6G8-42119-00-00	GRIP, STEERING HANDLE	1	
11	6G8-42137-01-00	INDICATOR, THROTTLE	1	
12	90269-02M09-00	RIVET	1	
13	6G8-42177-00-00	RUBBER, HANDLE	1	
14	90386-33M56-00	BUSH	1	
15	90206-20M14-00	WASHER, WAVE	1	
16	90201-20M00-00	WASHER, PLATE	2	
17	90185-20M03-00	NUT, SELF-LOCKING	1	
18	90202-20M33-00	WASHER, PLATE	1	

F9.9MLHW 1998 / CONTROL 1 F9.9MH



©2014 Yamaha Motor Corporation, U.S.A. All rights reserved.






Part List

F9.9MLHW 1998 / CONTROL 1 F9.9MH

REF - NO	PART NUMBER	PART NAME	QUANTITY	REMARKS
1	6G9-48311-02-00	CABLE	1	
2	90445-24M00-00	HOSE (L165)	1	
3	6G8-41661-00-98	BRACKET	1	
4	6G8-41662-00-98	BRACKET	1	
5	6G8-41663-00-00	BRACKET 3	1	
6	97095-06016-00	BOLT	2	
7	92990-06600-00	.WASHER, PLATE	2	
8	6G8-41654-00-00	NUT	2	
9	90159-05M06-00	SCREW, WITH WASHER	2	
10	6G8-26363-00-00	.END, WIRE 1	1	
11	6G8-26364-00-00	.END, CABLE	1	
12	6G8-41212-00-00	ARM, ACCEL.	1	
13	97095-06030-00	.BOLT	1	
14	90387-06M58-00	COLLAR	1	
15	6G8-41238-01-00	JOINT, LINK	1	
16	6G8-41241-01-00	ROD, LINK	1	
17	95303-04600-00	.NUT	1	
18	6G8-41237-01-00	JOINT, LINK	1	
19	6G8-41242-01-00	ROD 2	1	
20	6G8-14493-00-00	STAY 1	1	
21	6G8-44111-00-00	HANDLE, GEAR SHIFT	1	
22	6G9-44111-00-98	HANDLE, GEAR SHIFT	1	
23	97980-04116-00	.SCREW, WITH WASHER	1	
24	92990-04600-00	.WASHER, PLATE	1	
25	6G8-44159-00-00	HANDLE, GEAR SHIFT	1	
26	682-44132-00-00	BUSHING	1	
27	682-44121-01-00	LEVER, SHIFT ROD	1	
28	91490-25020-00	PIN. COTTER	1	
29	682-44116-01-00	SPRING	1	
30	97095-06014-00	BOLT	1	
31	92990-06600-00	.WASHER, PLATE	1	
32	6G9-44143-00-00	ROD, SHIFT	1	UR SHORT
32	6G8-44143-10-00	ROD, SHIFT	1	UR LONG
33	90170-06015-00	NUT	1	
34	95380-06700-00	NUT	1	
35	91790-05020-00	PIN, CLEVIS	1	
36	92990-05600-00	WASHER, PLATE	1	
37	91490-16010-00	PIN. COTTER	1	
38	6G8-44124-11-00	LINK, SHIFT ROD	1	
39	6G8-41212-11-00	ARM, ACCEL.	1	
40	97395-06014-00	BOLT	1	
41	95380-06600-00	NUT, HEXAGON	1	
42	92990-06600-00	.WASHER, PLATE	1	

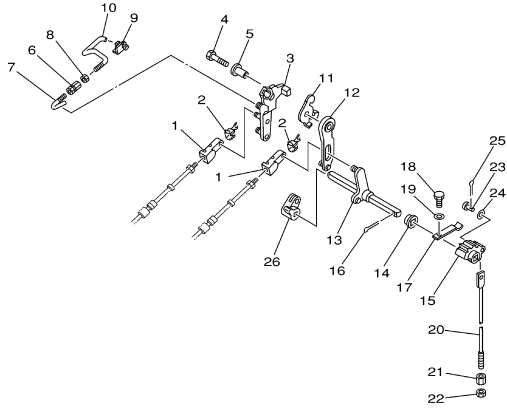
Part Notes

F9.9MLHW 1998 / CONTROL 1 F9.9MH

PART NUMBER	NOTE TEXT
92990-06600-00 	OEM: This part number is among the Top 100 Most Popular Marine Maintenance Parts as of March 2014.
92990-06600-00 	OEM: This part number is among the Top 100 Most Popular Marine Maintenance Parts as of March 2014.
92990-06600-00 	OEM: This part number is among the Top 100 Most Popular Marine Maintenance Parts as of March 2014.

©2014 Yamaha Motor Corporation, U.S.A. All rights reserved.

F9.9MLHW 1998 / CONTROL 2 F9.9ER



  
6G90110-9170

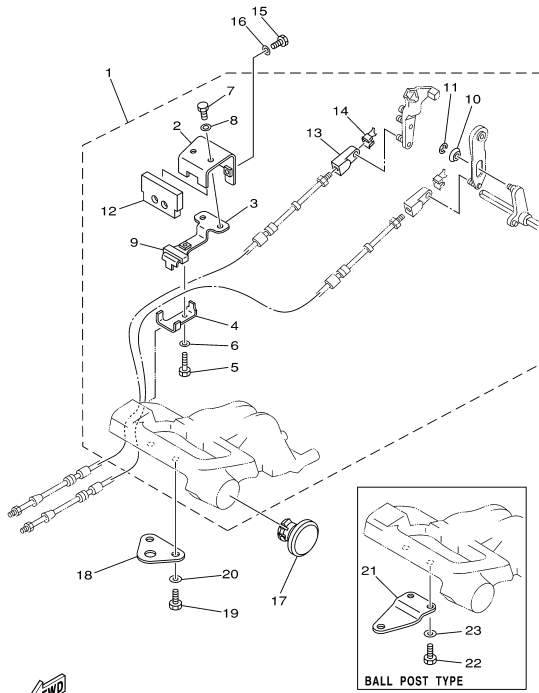
©2014 Yamaha Motor Corporation, U.S.A. All rights reserved.

## Part List

F9.9MLHW 1998 / CONTROL 2 F9.9ER

REF - NO	PART NUMBER	PART NAME	QUANTITY	REMARKS
1	6G8-26363-00-00	.END, WIRE 1	2	
2	6G8-26364-00-00	.END, CABLE	2	
3	6G8-41212-00-00	ARM, ACCEL.	1	
4	97013-06030-00	BOLT	1	
5	90387-06M58-00	COLLAR	1	
6	6G8-41238-01-00	JOINT, LINK	1	
7	6G8-41241-01-00	ROD, LINK	1	
8	95380-04600-00	.NUT	1	
9	6G8-41237-01-00	JOINT, LINK	1	
10	6G8-41242-01-00	ROD 2	1	
11	6G8-14493-00-00	STAY 1	1	
12	6G8-44111-00-00	HANDLE, GEAR SHIFT	1	
13	6G8-44159-00-00	HANDLE, GEAR SHIFT	1	
14	682-44132-00-00	BUSHING	1	
15	682-44121-01-00	LEVER, SHIFT ROD	1	
16	91490-25020-00	PIN. COTTER	1	
17	682-44116-01-00	SPRING	1	
18	97095-06014-00	BOLT	1	
19	92995-06600-00	WASHER	1	
20	6G8-44143-10-00	ROD, SHIFT	1	
21	90170-06015-00	NUT	1	
22	95380-06700-00	NUT	1	
23	91790-05020-00	PIN, CLEVIS	1	
24	92990-05600-00	WASHER, PLATE	1	
25	91490-16010-00	PIN. COTTER	1	
26	6G8-44125-00-00	LEVER, SHIFT ROD	1	

F9.9MLHW 1998 / REMOTE CONTROL ATTACHMENT



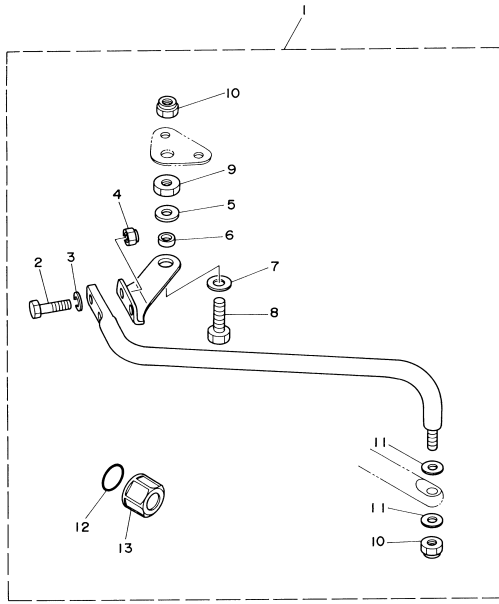
  
6G90100-9190

## Part List

F9.9MLHW 1998 / REMOTE CONTROL ATTACHMENT

REF - NO	PART NUMBER	PART NAME	QUANTITY	REMARKS
1	6G8-48501-03-00	REMOTE CONT. ATTACHMENT ASSY	1	AP ER
2	6G8-48531-51-00	.BRACKET, REMOTE CONTROL 1	1	
3	6G8-48532-50-00	.BRACKET, REMOTE CONTROL 2	1	
4	6G8-48538-50-00	.CLAMP, CABLE 1	1	
5	97095-06030-00	.BOLT	1	
6	92995-06600-00	.WASHER	1	
7	97095-06012-00	.BOLT	2	
8	92995-06600-00	.WASHER	2	
9	6G8-48565-50-00	.GROMMET	1	
10	90387-06M73-00	.COLLAR	1	
11	93430-04M03-00	.CIRCLIP	1	
12	6G8-48351-51-00	.SEAL RUBBER	1	
13	6G8-26363-00-00	.END, WIRE 1	1	
14	6G8-26364-00-00	.END, CABLE	1	
15	97095-06016-00	BOLT	2	
16	92995-06600-00	WASHER	2	
17	6G8-42551-00-00	GROMMET	1	
18	6G8-48511-20-00	HOOK, STEERING	1	ER STEERING GUIDE TYPE
19	97095-06016-00	BOLT	2	
20	92995-06600-00	WASHER	2	
21	6G8-48511-10-00	HOOK, STEERING	1	AP ER BALL POST TYPE
22	97095-06016-00	BOLT	2	AP ER
23	92995-06600-00	WASHER	2	AP ER

F9.9MLHW 1998 / STEERING GUIDE



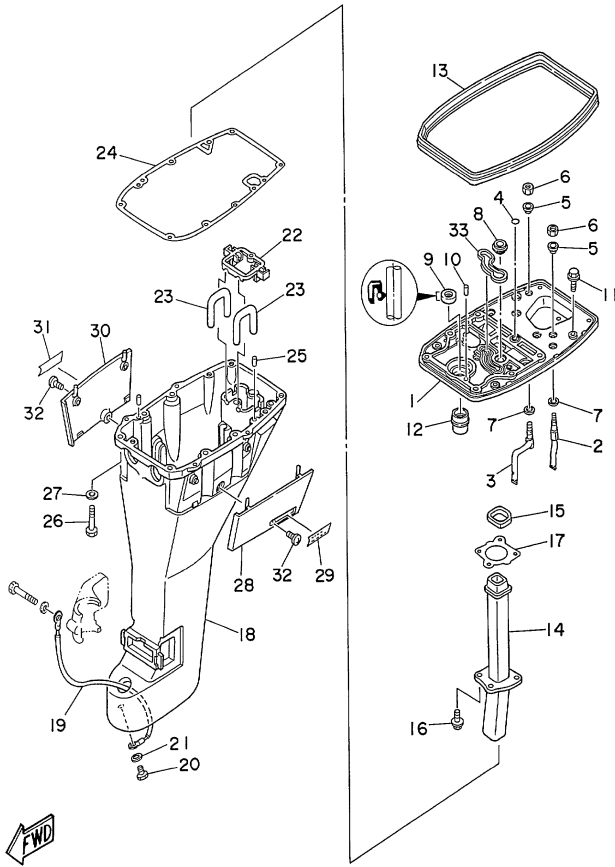
6G90100-9200

## Part List

F9.9MLHW 1998 / STEERING GUIDE

REF - NO	PART NUMBER	PART NAME	QUANTITY	REMARKS
1	6G8-61350-00-00	STEERING GUIDE ATTACHMENT KIT	1	AP ER
2	97075-08025-00	.BOLT	2	
3	92995-08600-00	.WASHER	2	
4	90185-08057-00	.NUT, SELF-LOCKING	2	
5	90201-10M04-00	.WASHER, PLATE	1	
6	90387-10M06-00	.COLLAR	1	
7	90201-10M63-00	.WASHER, PLATE	1	
8	6E5-61355-00-00	.BOLT	1	
9	90170-09M03-00	.NUT	1	
10	90185-09M01-00	.NUT, SELF-LOCKING	2	
11	90201-10M20-00	.WASHER, PLATE	2	
12	93210-16275-00	.O-RING	1	
13	6E5-43145-01-00	.CAP, CLAMP BRACKET	1	

F9.9MLHW 1998 / UPPER CASING



©2014 Yamaha Motor Corporation, U.S.A. All rights reserved.




Part List

F9.9MLHW 1998 / UPPER CASING

REF - NO	PART NUMBER	PART NAME	QUANTITY	REMARKS
1	6G8-41137-04-94	GUIDE, EXHAUST	1	
2	6G8-12483-00-00	PIPE 3	1	
3	6G8-12484-00-00	PIPE 4	1	
4	93210-08M60-00	.O-RING	1	
5	90386-10M70-00	BUSH	2	
6	95380-10700-00	NUT	2	
7	90202-10M03-00	WASHER, PLATE	2	
8	6G8-44367-00-00	DAMPER, WATER SEAL	1	
9	93101-13M27-00	.O-RING	1	
10	93606-12019-00	.PIN, DOWEL	2	
11	97595-06520-00	BOLT, WITH WASHER	2	
12	6G8-45135-00-00	PIPE	1	
13	6G8-42716-00-00	RUBBER, SEAL 1	1	
14	6G8-41131-01-00	MANIFOLD, EXT. 1	1	
15	6G8-41138-00-00	SEAL, EXT. 1	1	
16	90105-06M33-00	BOLT, FLANGE	4	
17	6G8-41133-A0-00	.GASKET, EXHAUST MANIFOLD 1	1	
18	6G8-45111-13-4D	CASING, UPPER	1	UR LONG
18	6G9-45111-03-4D	CASING, UPPER	1	UR SHORT
19	6G8-82149-00-00	WIRE, LEAD 3	1	
20	97095-06012-00	BOLT	1	
21	92990-06600-00	.WASHER, PLATE	1	
22	6G8-45151-10-00	COVER, UPPER CASING	1	
23	6G8-45136-00-00	PIPE	2	
24	6G8-45113-A1-00	.GASKET, UPPER CASING	1	
25	93606-12019-00	.PIN, DOWEL	2	
26	97095-08040-00	BOLT	6	
27	92990-08600-00	..WASHER, PLATE	6	
28	6G8-42741-00-4D	APRON	1	
29	6G8-42791-00-00	MARK 1	1	
30	6G8-42771-00-4D	APRON	1	
31	6G8-42792-00-00	MARK	1	
32	90157-06M04-00	SCREW, PAN HEAD	2	
33	6G8-11355-00-00	SEAL, CYLINDER 1	1	

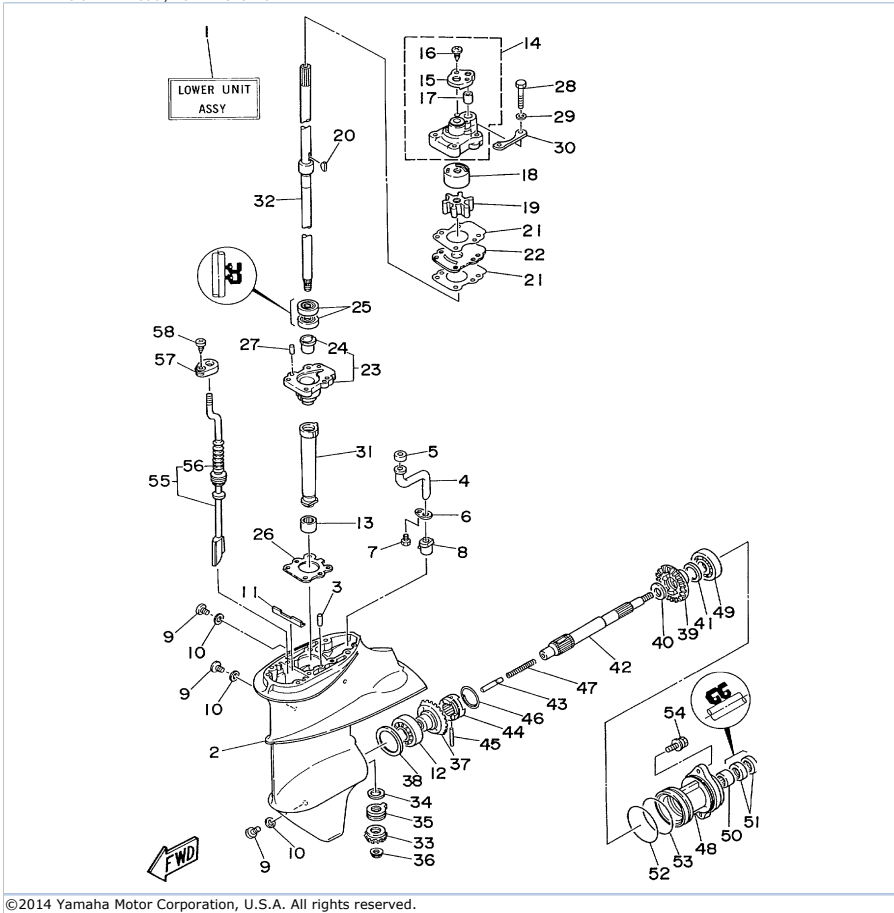
Part Notes

F9.9MLHW 1998 / UPPER CASING

PART NUMBER	NOTE TEXT
92990-06600-00 	OEM: This part number is among the Top 100 Most Popular Marine Maintenance Parts as of March 2014.

©2014 Yamaha Motor Corporation, U.S.A. All rights reserved.

F9.9MLHW 1998 / LOWER CASING DRIVE 1



©2014 Yamaha Motor Corporation, U.S.A. All rights reserved.



## Part List

F9.9MLHW 1998 / LOWER CASING DRIVE 1

REF - NO	PART NUMBER	PART NAME	QUANTITY	REMARKS
1	6G9-45300-06-4D	LOWER UNIT ASSY	1	UR SHORT
1	6G9-45300-16-4D	LOWER UNIT ASSY	1	UR LONG
2	6E8-45311-00-4D	CASING, LOWER	1	
3	93604-08062-00	PIN, DOWEL	1	
4	683-44362-01-00	TUBE, WATER	1	
5	683-44365-01-00	DAMPER, WATER SEAL	1	
6	683-44373-00-00	SET PLATE, WATER TUBE	1	
7	97095-06010-00	BOLT	1	
8	6E7-44366-00-00	DAMPER, WATER SEAL	1	
9	90340-08M04-00	PLUG, STRAIGHT SCREW	3	
10	90430-08020-00	.GASKET	3	
11	682-45376-01-00	GUIDE, SEAL DAMPER	1	
12	93332-00005-00	BEARING	1	
13	93315-314V8-00	BEARING	1	
14	682-44300-01-00	HOUSING, WATER PUMP	1	
15	682-44312-00-00	.COVER, WATER PUMP HOUSING	1	
16	97780-40112-00	.SCREW, TAPPING	2	
17	682-44365-00-00	.DAMPER, WATER SEAL	1	
18	682-44322-00-00	INSERT, CARTRIDGE	1	
19	682-44352-01-00	IMPELLER	1	
20	90280-03024-00	.KEY, WOODRUFF	1	
21	682-44315-A0-00	GASKET, WATER PUMP	2	
22	682-44323-00-00	OUTER PLATE, CARTRIDGE	1	
23	6E7-45331-00-5B	HOUSING, BEARING	1	
24	626-45316-09-00	.BUSHING, DRIVE SHAFT	1	
25	93101-20048-00	.OIL SEAL	2	
26	683-45315-A0-00	PACKING, LOWER CASING	1	
27	93606-12019-00	.PIN, DOWEL	2	
28	97095-06045-00	.BOLT	4	
29	92990-06600-00	WASHER, PLATE	4	
30	682-44328-00-00	PLATE	2	
31	6E7-45536-00-00	SLEEVE, DRIVE SHAFT	1	
32	6G9-45501-01-00	DRIVE SHAFT COMP.	1	UR SHORT
32	6G9-45501-11-00	DRIVE SHAFT COMP.	1	UR LONG
33	6E7-45551-00-00	PINION (13T)	1	
34	6E8-45587-00-13	SHIM (T:1.13MM)	1	
34	6E8-45587-00-20	SHIM (T:1.20MM)	1	
35	93341-414V1-00	BEARING	1	
36	90179-08M06-00	NUT	1	
37	6E7-45560-00-00	GEAR	1	
38	664-45567-01-12	SHIM (T:0.12MM)	1	
38	664-45567-01-30	SHIM (T:0.30MM)	1	
38	664-45567-01-50	SHIM (T:0.50MM)	1	
38	664-45567-01-10	SHIM (T:0.10MM)	1	
38	664-45567-01-15	SHIM (T:0.15MM)	1	
38	664-45567-01-18	SHIM (T:0.18MM)	1	
38	664-45567-01-40	SHIM (T:0.40MM)	1	
39	6E7-45571-00-00	GEAR 2 (27T)	1	
40	90201-17682-00	WASHER, PLATE	1	
41	626-45577-00-01	SHIM (T:0.10MM)	1	
41	626-45577-00-03	SHIM (T:0.30MM)	1	
41	626-45577-00-05	SHIM (T:0.50MM)	1	
42	683-45611-00-00	SHAFT, PROPELLER	1	
43	650-45635-00-00	PLUNGER, SHIFT	1	
44	682-45631-00-00	CLUTCH, DOG	1	
45	90250-05010-00	PIN, STRAIGHT	1	
46	648-45633-00-00	RING, CROSS PIN	1	
47	90501-14M06-00	SPRING, COMPRESSION	1	
48	683-45361-02-4D	CAP, LOWER CASING	1	
49	93306-00519-00	BEARING	1	
50	93315-317U2-00	BEARING	1	
51	93101-17054-00	.OIL SEAL	2	
52	93210-57M09-00	.O-RING	1	
53	93210-56M80-00	.O-RING	1	
54	97595-06520-00	BOLT, WITH WASHER	2	
55	6G9-44150-00-00	SHIFT CAM ASSY.	1	UR SHORT
55	6G9-44150-10-00	SHIFT CAM ASSY.	1	UR LONG
56	682-44147-00-00	.BOOT, SHIFT ROD	1	
57	682-44176-00-00	BRACKET	1	
58	97780-50110-00	SCREW, PAN HEAD	1	

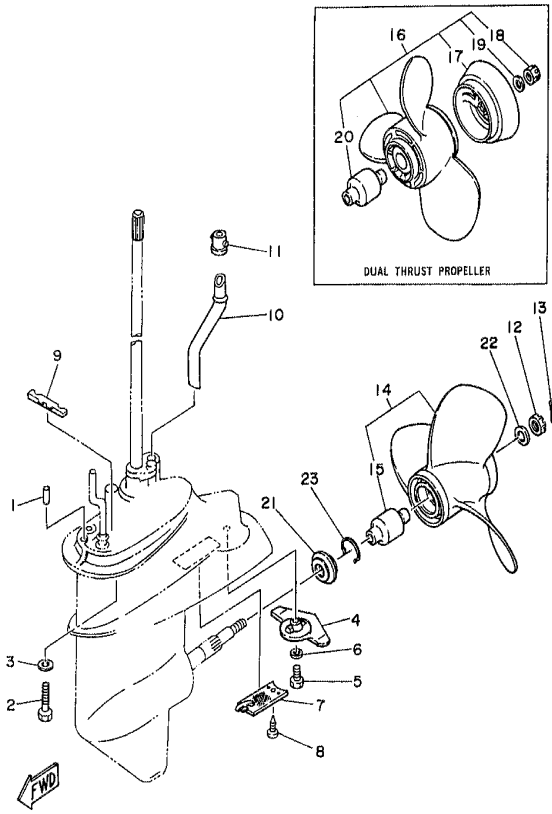
## Part Notes

F9.9MLHW 1998 / LOWER CASING DRIVE 1

PART NUMBER	NOTE TEXT
90430-08020-00 	OEM: This part number is among the Top 100 Most Popular Marine Maintenance Parts as of March 2014.
92990-06600-00 	OEM: This part number is among the Top 100 Most Popular Marine Maintenance Parts as of March 2014.

©2014 Yamaha Motor Corporation, U.S.A. All rights reserved.

F9.9MLHW 1998 / LOWER CASING DRIVE 2



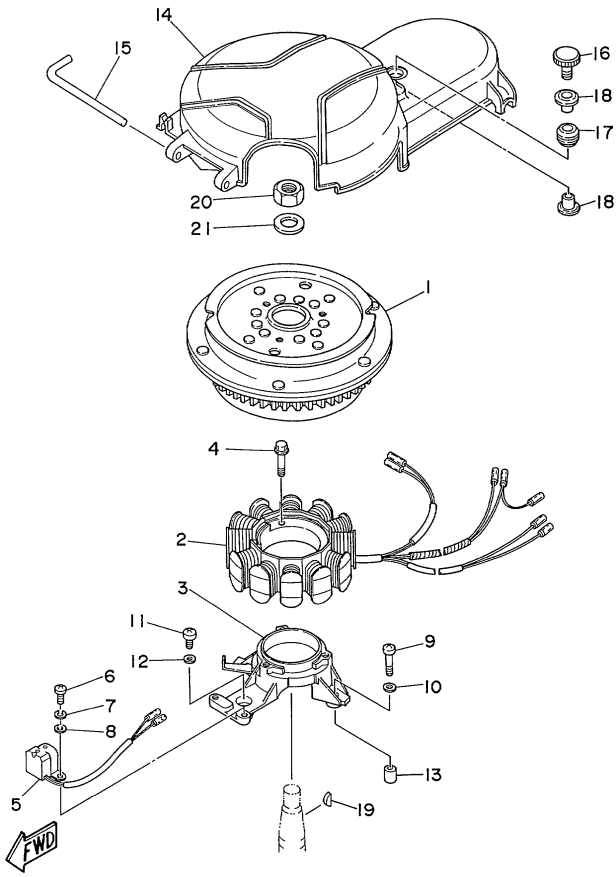
©2014 Yamaha Motor Corporation, U.S.A. All rights reserved.

## Part List

F9.9MLHW 1998 / LOWER CASING DRIVE 2

REF - NO	PART NUMBER	PART NAME	QUANTITY	REMARKS
1	93606-12019-00	.PIN, DOWEL	2	
2	97095-08035-00	BOLT	4	
3	92990-08600-00	..WASHER, PLATE	4	
4	6E8-45251-02-00	ANODE	1	
5	95895-06020-00	BOLT, FLANGE	1	
6	92990-06300-00	WASHER, INTERNAL TOOTH	1	
7	6E7-45214-00-00	COVER, WATER INLET 1	1	
8	98580-05012-00	.SCREW, PAN HEAD	1	
9	682-45375-01-00	.DAMPER, SEAL	1	
10	6G9-44361-00-00	TUBE, WATER	1	UR SHORT
10	6G8-44361-10-00	TUBE, WATER	1	UR LONG
11	626-44365-01-00	.DAMPER, WATER SEAL	1	
12	90171-10M01-00	NUT, CASTLE	1	
13	91490-30020-00	PIN, COTTER	1	UR
13	91490-30030-00	PIN, COTTER	1	UR FOR DUAL THRUST PROP
14	683-45952-00-EL	PROPELLER (3X9-1/4"X9-3/4"-J)	1	UR
14	683-45941-00-EL	PROPELLER (3X9-1/4"X12"-J)	1	UR
14	683-45949-00-EL	PROPELLER (3X9-1/2"X6-1/2"-J)	1	UR
14	683-45943-00-EL	PROPELLER (3X9-1/4"X10-1/2"-J)	1	UR
14	683-45945-00-EL	PROPELLER (3X9-1/4"X9"-J)	1	UR
14	683-45947-00-EL	PROPELLER (3X9-1/4"X8"-J)	1	UR
15	683-45981-00-00	.DAMPER, PROPELLER	1	
16	683-W4592-02-EL	PROPELLER (3X9-3/4"X6-1/2"-J)	1	UR FOR DUAL THRUST PROP.
16	683-W4591-02-EL	PROPELLER (3X9-3/4"X8"-J)	1	UR FOR DUAL THRUST PROP
17	6E7-45986-00-00	.RING, DEFLECTOR	1	
18	90171-10M07-00	.NUT, CASTLE	1	
19	90201-10M02-00	.WASHER, PLATE	1	
20	683-45981-00-00	.DAMPER, PROPELLER	1	
21	6G9-45987-00-00	SPACER	1	
22	90201-10M01-00	WASHER, PLATE	1	
23	93450-10M05-00	CIRCLIP	1	

F9.9MLHW 1998 / GENERATOR



©2014 Yamaha Motor Corporation, U.S.A. All rights reserved.



Part List

F9.9MLHW 1998 / GENERATOR

REF - NO	PART NUMBER	PART NAME	QUANTITY	REMARKS
1	6G8-85550-11-00	ROTOR ASSY	1	UR MH
1	6G8-85550-01-00	ROTOR ASSY	1	UR ER
2	6G9-85510-01-00	STATOR ASSY	1	
3	6G8-85561-00-94	BASE, MAGNETO	1	
4	95024-06025-00	BOLT, FLANGE (SMALL HEAD)	3	
5	6G8-85580-02-00	COIL, PULSER	1	
6	98580-05012-00	.SCREW, PAN HEAD	2	
7	92990-05100-00	.WASHER, SPRING	2	
8	92990-05600-00	WASHER, PLATE	2	
9	98580-06025-00	SCREW, PAN HEAD	2	
10	92990-06600-00	.WASHER, PLATE	2	
11	98580-06020-00	SCREW, PAN HEAD	1	
12	92990-06600-00	.WASHER, PLATE	1	
13	99530-08012-00	PIN, DOWEL	2	
14	6G8-81337-01-00	COVER, FLYWHEEL	1	
15	6G8-42752-00-00	SHAFT	1	
16	6G8-81323-00-00	SCREW 1	1	
17	90480-15M31-00	GROMMET	1	
18	90387-06M71-00	COLLAR	2	
19	90280-16053-00	KEY, WOODRUFF	1	
20	90170-12066-00	NUT	1	
21	90201-12472-00	WASHER, PLATE	1	

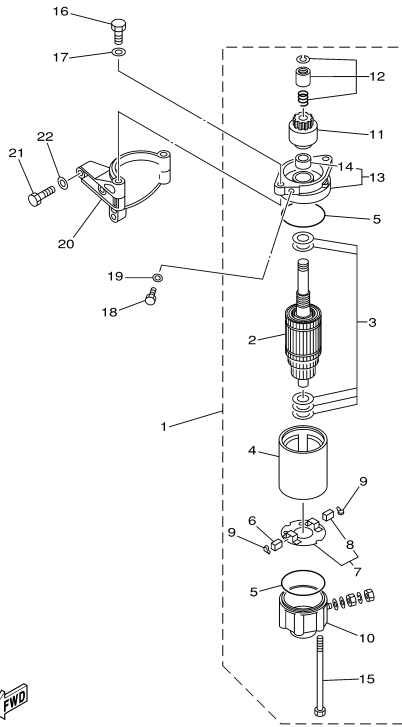
Part Notes

F9.9MLHW 1998 / GENERATOR

PART NUMBER	NOTE TEXT
92990-06600-00 	OEM: This part number is among the Top 100 Most Popular Marine Maintenance Parts as of March 2014.
92990-06600-00 	OEM: This part number is among the Top 100 Most Popular Marine Maintenance Parts as of March 2014.

©2014 Yamaha Motor Corporation, U.S.A. All rights reserved.

F9.9MLHW 1998 / STARTING MOTOR F9.9ER



6G90100-8270

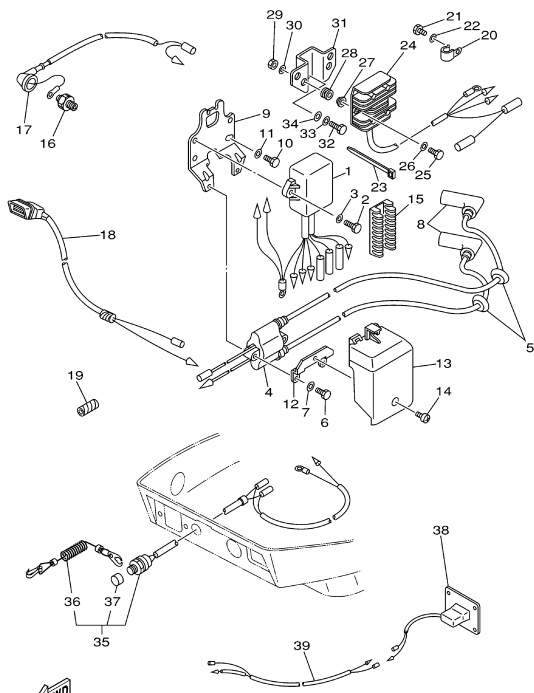


## Part List

F9.9MLHW 1998 / STARTING MOTOR F9.9ER

REF - NO	PART NUMBER	PART NAME	QUANTITY	REMARKS
1	6G8-81800-11-00	STARTING MOTOR ASSY	1	
2	689-81850-12-00	.ARMATURE ASSY	1	
3	689-81809-11-00	.WASHER KIT	1	
4	689-81801-11-00	.STATOR ASSY	1	
5	689-81847-11-00	.O-RING	2	
6	689-81811-11-00	.BRUSH 1	1	
7	689-81840-11-00	.BRUSH HOLDER ASSY	1	
8	689-81812-11-00	.BRUSH 2	1	
9	689-81813-10-00	.SPRING, BRUSH	2	
10	689-81820-11-00	.REAR BRACKET ASSY	1	
11	689-81807-12-00	.GEAR ASSY, STARTING MOTOR	1	
12	689-81857-11-00	.PINION STOPPER SET	1	
13	6F5-81803-11-00	.FRONT BRACKET ASSY	1	
14	689-81831-00-00	.METAL, FRONT	1	
15	689-81826-10-00	.BOLT	2	
16	97075-08025-00	BOLT	2	
17	92995-08600-00	WASHER	2	
18	97095-08016-00	BOLT	1	
19	92995-08600-00	WASHER	1	
20	6G8-81822-40-94	BRACKET, STARTING MOTOR	1	
21	97013-08030-00	BOLT	3	
22	92903-08600-00	WASHER, PLATE	3	

F9.9MLHW 1998 / ELECTRICAL 1



  
6G90110-9270




Part List

F9.9MLHW 1998 / ELECTRICAL 1

REF - NO	PART NUMBER	PART NAME	QUANTITY	REMARKS
1	6G9-85540-22-00	C.D.I. UNIT ASSY	1	
2	97095-06020-00	BOLT	2	
3	92995-06600-00	WASHER	2	
4	6G8-85570-21-00	IGNITION COIL ASSY	1	
5	90480-25161-00	GROMMET	2	
6	97095-06025-00	BOLT	2	
7	92990-06600-00	WASHER, PLATE	2	
8	6G8-82370-20-00	PLUG CAP ASSEMBLY	2	
9	6G8-85542-00-00	BRACKET	1	
10	97095-06020-00	BOLT	2	
11	92995-06600-00	WASHER	2	
12	6G8-85525-00-00	PLATE	1	
13	6G8-81916-00-00	COVER, TERMINAL	1	
14	98980-06008-00	SCREW, BIND	1	
15	6G8-82522-00-00	CLAMP, COUPLER	1	
16	6G8-82504-00-00	OIL PRESSURE SWITCH ASSY	1	
17	6G8-82127-00-00	WIRE, LEAD 2	1	
18	6G8-83582-01-00	PILOT LIGHT ASSY	1	UR MH
19	90446-10M02-00	HOSE	1	
20	90465-08M75-00	CLAMP	1	
21	97013-06012-00	BOLT	1	
22	92903-06600-00	WASHER, PLATE	1	
23	90465-13M11-00	CLAMP	1	
24	6G8-81960-A1-00	RECTIFIER ASSY	1	UR ER
25	97095-06025-00	BOLT	2	UR ER
26	92995-06600-00	WASHER	2	UR ER
27	90387-06M70-00	COLLAR	2	UR ER
28	90480-13M24-00	GROMMET	2	UR ER
29	95380-06700-00	NUT	2	UR ER
30	92990-06600-00	WASHER, PLATE	2	UR ER
31	6G8-81948-02-00	BRACKET	1	UR ER
32	97095-06020-00	BOLT	1	UR ER
33	92995-06100-00	WASHER, SPRING	1	UR ER
34	92995-06600-00	WASHER	1	UR ER
35	6G9-82575-02-00	ENGINE STOP SWITCH ASSY	1	UR MH
36	682-82556-00-00	.LANYARD, STOP SWITCH	1	
37	689-8257Y-00-00	.CAP	1	
38	6G8-83530-00-00	PILOT LIGHT ASSY	1	UR ER
39	6G8-82541-00-00	WIRE, LEAD	1	UR ER

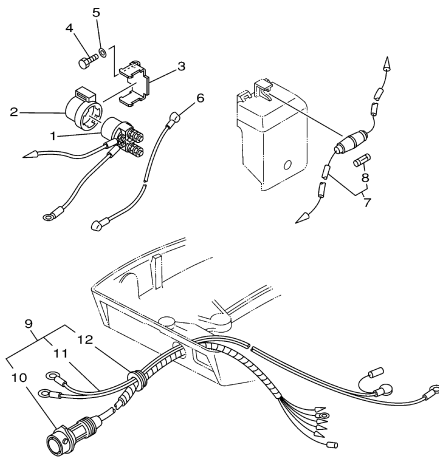
Part Notes

F9.9MLHW 1998 / ELECTRICAL 1

PART NUMBER	NOTE TEXT
92990-06600-00 	OEM: This part number is among the Top 100 Most Popular Marine Maintenance Parts as of March 2014.
92990-06600-00 	OEM: This part number is among the Top 100 Most Popular Marine Maintenance Parts as of March 2014.
682-82556-00-00 	OEM: This part number is among the Top 100 Most Popular Marine Maintenance Parts as of March 2014.

©2014 Yamaha Motor Corporation, U.S.A. All rights reserved.

F9.9MLHW 1998 / ELECTRICAL 2 F9.9ER



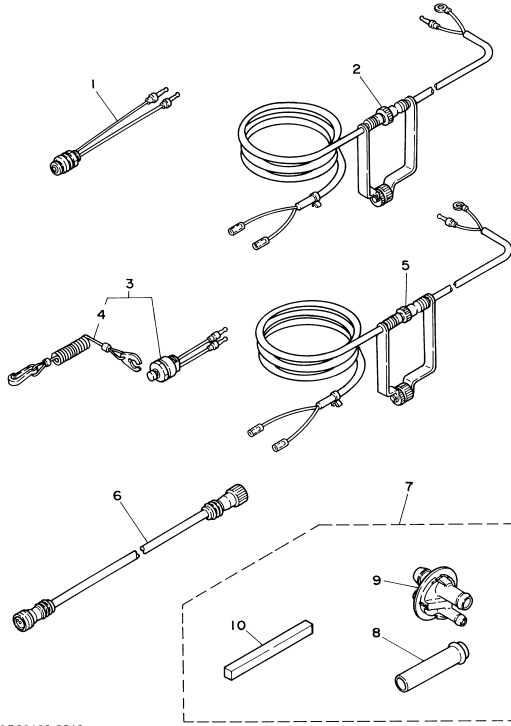
  
6G90110-9280

## Part List

F9.9MLHW 1998 / ELECTRICAL 2 F9.9ER

REF - NO	PART NUMBER	PART NAME	QUANTITY	REMARKS
1	6J0-81941-10-00	STARTER RELY ASSY	1	
2	6G1-81952-00-00	HOLDER, RELAY	1	
3	6G8-81953-00-00	STAY, RELAY	1	
4	97095-06012-00	BOLT	1	
5	92995-06600-00	WASHER	1	
6	6G8-82117-00-00	WIRE, LEAD	1	
7	6G8-8215-000-00	FUSE HOLDER ASSY	1	
8	663-82151-00-00	.FUSE (12V-20A)	1	
9	6G8-82580-00-00	WIRE HARNESS ASSY 2	1	
10	6G8-82590-00-00	.WIRE HARNESS ASSY	1	
11	6G8-82105-01-00	.BATTERY CABLE	1	
12	6G8-42724-50-00	.GROMMET	1	

F9.9MLHW 1998 / OPTIONAL PARTS F9.9ER



6G80100-9310


Part List

F9.9MLHW 1998 / OPTIONAL PARTS F9.9ER

REF - NO	PART NUMBER	PART NAME	QUANTITY	REMARKS
1	689-82550-11-00	ENGINE STOP SWITCH ASSY	1	AP
2	6A0-82553-20-00	EXTENSION, WIRE LEAD	1	AP
3	689-82575-13-00	ENGINE STOP SWITCH ASSY	1	AP
4	682-82556-00-00	.LANYARD, STOP SWITCH	1	
5	6A0-82553-20-00	EXTENSION, WIRE LEAD	1	AP
6	689-82553-10-00	EXTENSION, WIRE LEAD	1	AP
7	6G8-W4537-00-00	WELL-TYPE EXHAUST KIT	1	AP
8	6G8-14611-00-00	.PIPE, EXHAUST 1	1	
9	6G8-44391-10-00	.NIPPLE, HOSE	1	
10	6G8-45375-10-00	.DAMPER, SEAL	1	

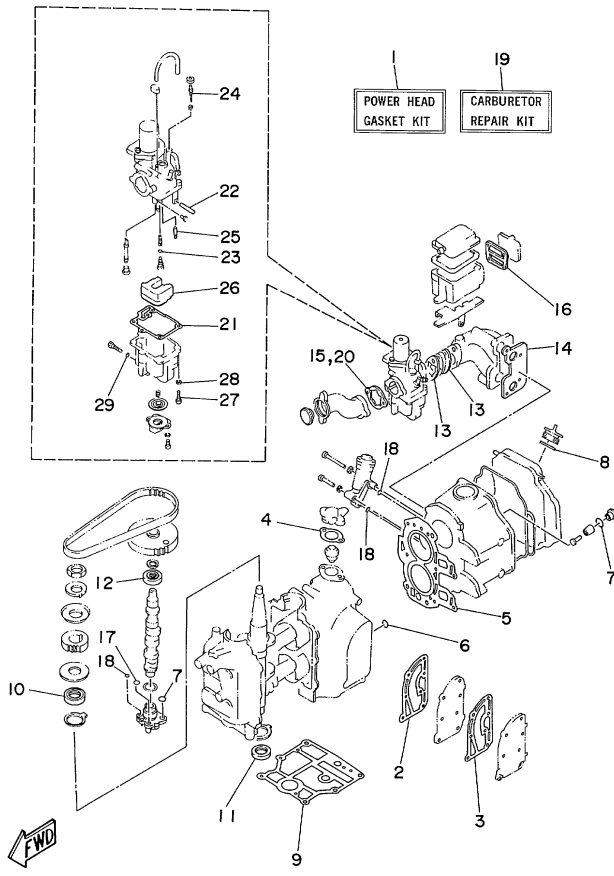
Part Notes

F9.9MLHW 1998 / OPTIONAL PARTS F9.9ER

PART NUMBER	NOTE TEXT
682-82556-00-00 	OEM: This part number is among the Top 100 Most Popular Marine Maintenance Parts as of March 2014.

©2014 Yamaha Motor Corporation, U.S.A. All rights reserved.

F9.9MLHW 1998 / REPAIR KIT 1



©2014 Yamaha Motor Corporation, U.S.A. All rights reserved.

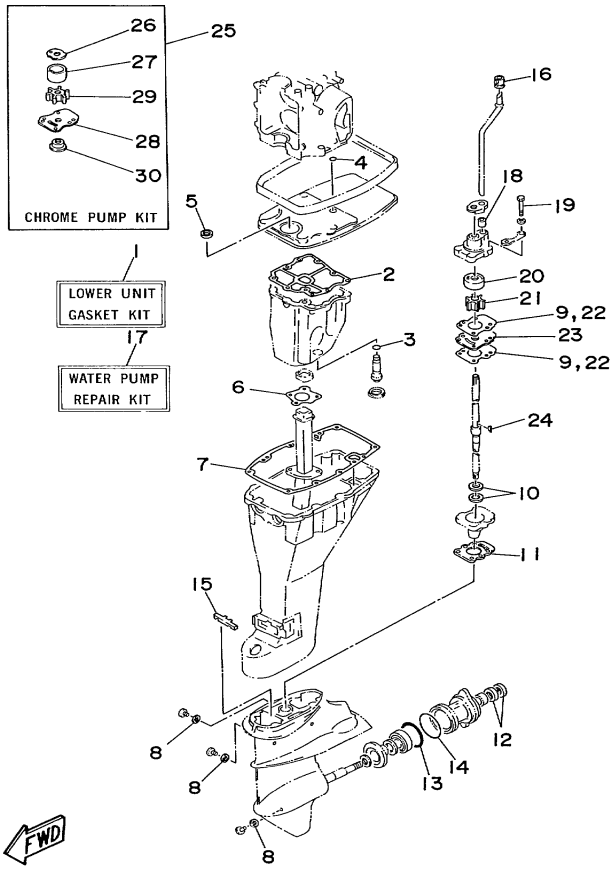


## Part List

F9.9MLHW 1998 / REPAIR KIT 1

REF - NO	PART NUMBER	PART NAME	QUANTITY	REMARKS
1	6G8-W0001-A3-00	POWER HEAD GASKET KIT	1	
2	6G8-41112-02-00	.GASKET, EXHAUST INNER COVER	1	
3	6G8-41114-00-00	.GASKET, EXHAUST OUTER COVER	1	
4	6G8-12414-A0-00	.GASKET, COVER	1	
5	6G8-11181-A1-00	.GASKET, CYLINDER HEAD 1	1	
6	93210-11M59-00	.O-RING	1	
7	93210-13M63-00	.O-RING	3	
8	93210-25070-00	.O-RING	1	
9	6G8-11351-A0-00	.GASKET, CYLINDER	1	
10	93102-30M22-00	.OIL SEAL	1	
11	93101-25M24-00	.OIL SEAL	1	
12	93102-18M21-00	.OIL SEAL	1	
13	6G8-13646-A0-00	.GASKET, MANIFOLD 2	2	
14	6G8-13645-00-00	.GASKET, MANIFOLD 1	1	
15	6G8-14198-A0-00	.GASKET	1	
16	6G8-15374-00-00	.GASKET, BREATHER	1	
17	93210-10M61-00	.O-RING	1	
18	93210-09M01-00	.O-RING	3	
19	6G8-W0093-03-00	.CARBURETOR REPAIR KIT	1	
20	6G8-14198-A0-00	.GASKET	1	
21	6G8-14384-01-00	.GASKET, FLOAT CHAMBER	1	
22	647-14386-10-00	.PIN, FLOAT	1	
23	654-14198-00-00	.GASKET	1	
24	6G8-14323-00-00	.SCREW, AIR ADJUSTING	1	
25	6G8-14392-00-00	.VALVE, NEEDLE	1	
26	6G8-14385-00-00	.FLOAT	1	
27	98580-04016-00	.SCREW, PAN HEAD	4	
28	92990-04100-00	.WASHER, SPRING	4	
29	5Y1-14397-00-00	.O-RING	1	

F9.9MLHW 1998 / REPAIR KIT 2



©2014 Yamaha Motor Corporation, U.S.A. All rights reserved.


Part List

F9.9MLHW 1998 / REPAIR KIT 2

REF - NO	PART NUMBER	PART NAME	QUANTITY	REMARKS
1	6G9-W0001-C5-00	LOWER UNIT GASKET KIT	1	
2	6G8-15312-A1-00	.GASKET, OIL PAN	1	
3	93210-16716-00	.O-RING	1	
4	93210-08M60-00	.O-RING	1	
5	93101-13M27-00	.O-RING	1	
6	6G8-41133-A0-00	.GASKET, EXHAUST MANIFOLD 1	1	
7	6G8-45113-A1-00	.GASKET, UPPER CASING	1	
8	90430-08020-00	.GASKET	3	
9	682-44315-A0-00	.GASKET, WATER PUMP	2	
10	93101-20048-00	.OIL SEAL	2	
11	683-45315-A0-00	.PACKING, LOWER CASING	1	
12	93101-17054-00	.OIL SEAL	2	
13	93210-57M09-00	.O-RING	1	
14	93210-56M80-00	.O-RING	1	
15	682-45375-01-00	.DAMPER, SEAL	1	
16	626-44365-01-00	.DAMPER, WATER SEAL	1	
17	682-W0078-A2-00	WATER PUMP REPAIR KIT	1	
18	682-44365-00-00	.DAMPER, WATER SEAL	1	
19	97095-06045-00	.BOLT	4	
20	682-44322-00-00	.INSERT, CARTRIDGE	1	
21	682-44352-00-00	.IMPELLER	1	
22	682-44315-A0-00	.GASKET, WATER PUMP	2	
23	682-44323-00-00	.OUTER PLATE, CARTRIDGE	1	
24	90280-03024-00	.KEY, WOODRUFF	1	
25	682-W0078-0A-00	CHROME PUMP KIT	1	
26	682-44321-40-00	.INNER PLATE, CARTRIDGE	1	
27	682-44322-40-00	.INSERT, CARTRIDGE	1	
28	682-44323-40-00	.OUTER PLATE, CARTRIDGE	1	
29	682-44352-01-00	.IMPELLER	1	
30	682-45344-00-00	.COVER, OIL SEAL	1	

Part Notes

F9.9MLHW 1998 / REPAIR KIT 2

PART NUMBER	NOTE TEXT
90430-08020-00 	OEM: This part number is among the Top 100 Most Popular Marine Maintenance Parts as of March 2014.

©2014 Yamaha Motor Corporation, U.S.A. All rights reserved.

©2014 Yamaha Motor Corporation, U.S.A. All rights reserved.