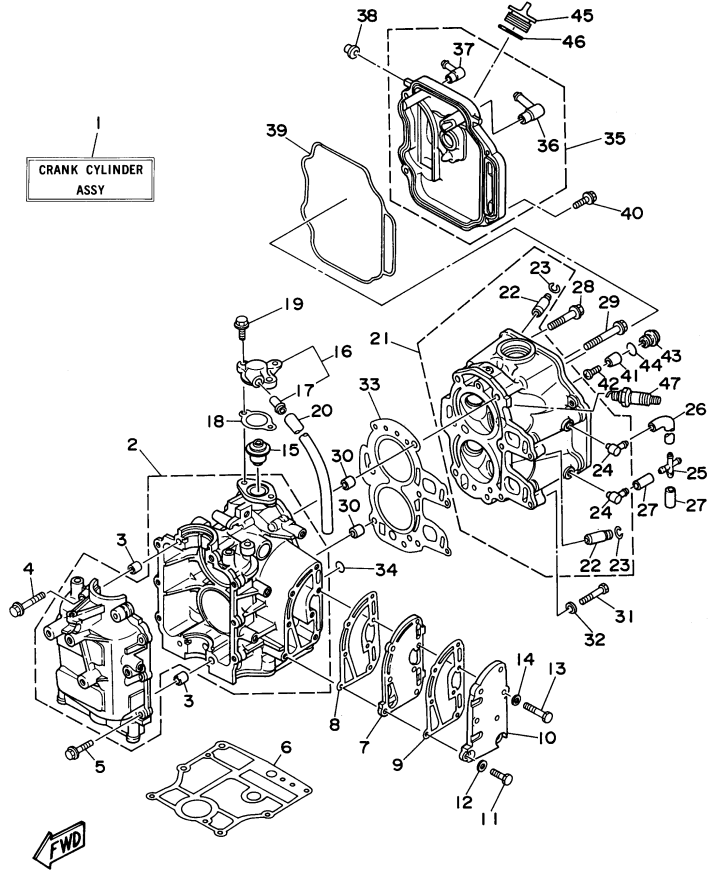


F9.9MLHV 1997 / CYLINDER CRANKCASE



©2014 Yamaha Motor Corporation, U.S.A. All rights reserved.


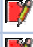

Part List

F9.9MLHV 1997 / CYLINDER CRANKCASE

REF - NO	PART NUMBER	PART NAME	QUANTITY	REMARKS
1	6G8-W0090-33-4D	CRANK CYLINDER ASSEMBLY	1	
2	6G8-15100-05-94	CRANKCASE ASSEMBLY	1	
3	99510-10114-00	PIN, DOWEL	2	
4	90119-08M18-00	BOLT, WITH WASHER	4	
5	90119-06M12-00	BOLT, WITH WASHER	6	
6	6G8-11351-A0-00	GASKET, CYLINDER	1	
7	6G8-41111-02-9M	INNER COVER, EXHAUST	1	
8	6G8-41112-02-00	GASKET, EXHAUST INNER COVER	1	
9	6G8-41114-00-00	GASKET, EXHAUST OUTER COVER	1	
10	6G8-41113-10-9M	OUTER COVER, EXHAUST	1	
11	97095-06025-00	BOLT	2	
12	92990-06600-00	WASHER, PLATE	2	
13	97095-06030-00	BOLT	5	
14	92990-06600-00	WASHER, PLATE	5	
15	6G8-12411-02-00	THERMOSTAT	1	
16	6G8-12413-00-9M	COVER, THERMOSTAT	1	
17	6E5-24377-00-00	.PIPE, JOINT 2	1	
18	6G8-12414-A0-00	.GASKET, COVER	1	
19	97595-06520-00	BOLT, WITH WASHER	2	
20	90445-11M66-00	.HOSE (L410)	1	
21	6G8-11111-03-94	HEAD, CYLINDER 1	1	
22	6G8-11133-10-00	.GUIDE, VALVE 1	4	
23	93450-09M01-00	.CIRCLIP	4	
24	676-11372-00-00	.NIPPLE, HOSE	2	
25	6G9-24379-00-00	PIPE, JOINT 4	1	
26	6G8-12481-01-00	PIPE 1	1	
27	90445-09078-00	HOSE	2	
28	90105-08M37-00	BOLT, FLANGE	3	
29	90105-08M36-00	BOLT, FLANGE	3	
30	99510-10114-00	PIN, DOWEL	2	
31	97014-06035-00	BOLT, HEXAGON	2	
32	92990-06600-00	WASHER, PLATE	2	
33	6G8-11181-A1-00	GASKET, CYLINDER HEAD 1	1	
34	93210-11M59-00	O-RING	1	
35	6G8-11191-01-94	COVER, CYLINDER HEAD 1	1	
36	6G8-15373-00-00	.PIPE, BREATHER	1	
37	676-11372-00-00	.NIPPLE, HOSE	1	
38	6G8-81336-00-00	GROMMET	2	
39	6G8-11356-00-00	SEAL, CYLINDER 2	1	
40	97595-06520-00	BOLT, WITH WASHER	4	
41	6G8-11325-00-00	ANODE	1	
42	98580-05525-00	SCREW, PAN HEAD	1	
43	6G8-11197-00-00	PLUG, BLIND	1	
44	93210-13M63-00	.O-RING	1	
45	6G8-15363-00-00	PLUG, OIL	1	
46	93210-25070-00	O-RING	1	
47	NGK-CR6HS-00-00	PLUG SPARK (NGK CR6HS)	2	

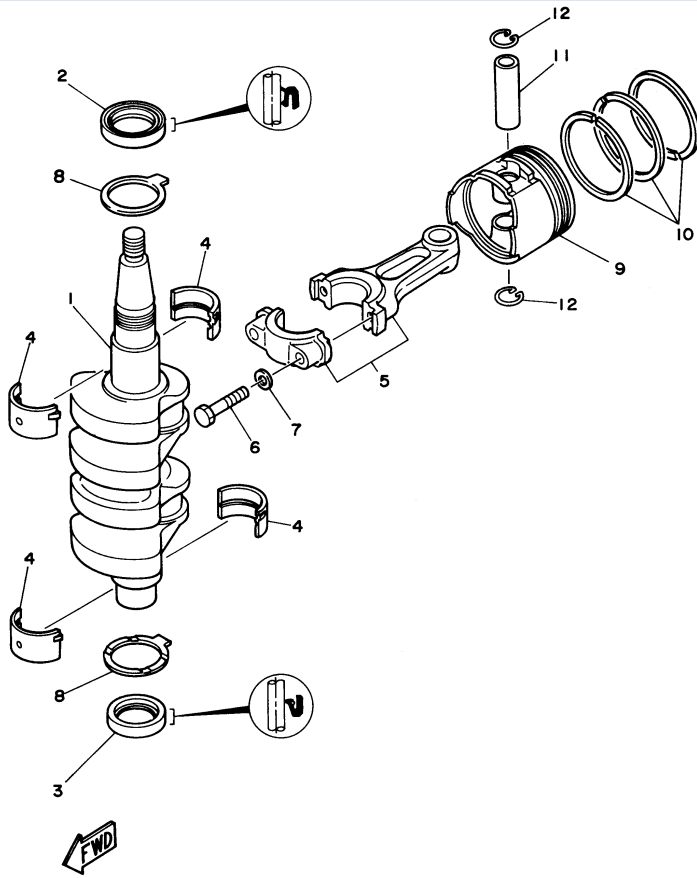
Part Notes

F9.9MLHV 1997 / CYLINDER CRANKCASE

PART NUMBER	NOTE TEXT
92990-06600-00 	OEM: This part number is among the Top 100 Most Popular Marine Maintenance Parts as of March 2014.
92990-06600-00 	OEM: This part number is among the Top 100 Most Popular Marine Maintenance Parts as of March 2014.
92990-06600-00 	OEM: This part number is among the Top 100 Most Popular Marine Maintenance Parts as of March 2014.

©2014 Yamaha Motor Corporation, U.S.A. All rights reserved.

F9.9MLHV 1997 / CRANKSHAFT PISTON



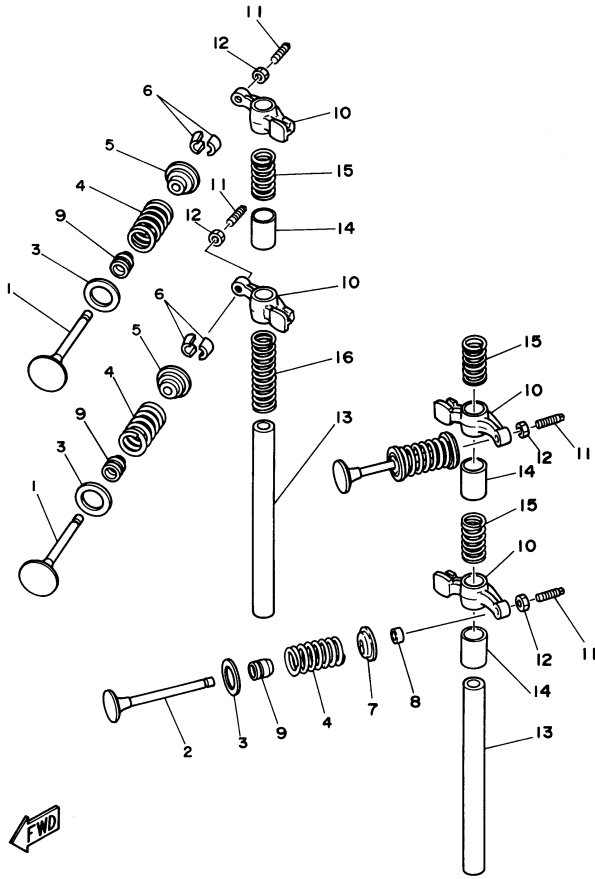
©2014 Yamaha Motor Corporation, U.S.A. All rights reserved.

Part List

F9.9MLHV 1997 / CRANKSHAFT PISTON

REF - NO	PART NUMBER	PART NAME	QUANTITY	REMARKS
1	6G8-11411-04-00	CRANKSHAFT	1	
2	93102-30M22-00	.OIL SEAL	1	
3	93101-25M24-00	OIL SEAL	1	
4	6G8-11416-10-00	PLANE BEARING, CRANKSHAFT 1	4	UR BLACK
4	6G8-11416-00-00	PLANE BEARING, CRANKSHAFT 1	4	UR BROWN
4	6G8-11416-20-00	PLANE BEARING, CRANKSHAFT 1	4	UR BLUE
5	6G8-11650-03-00	CONNECTING ROD ASSY	2	
6	6G8-11654-00-00	BOLT, CONNECTING ROD	4	
7	90201-06M00-00	WASHER, PLATE	4	
8	6G8-11426-00-00	PLANE BEARING, CRANKSHAFT 1	2	
9	6G8-11631-03-96	PISTON (STD)	2	
9	6G8-11636-03-00	PISTON (0.50MM O/S)	2	AP
10	6G8-11610-02-00	PISTON RING SET (STD)	2	
10	6G8-11610-22-00	PISTON RING SET (0.50MM O/S)	2	AP
11	634-11633-00-00	PIN, PISTON	2	
12	93450-15023-00	CIRCLIP	4	

F9.9MLHV 1997 / VALVE



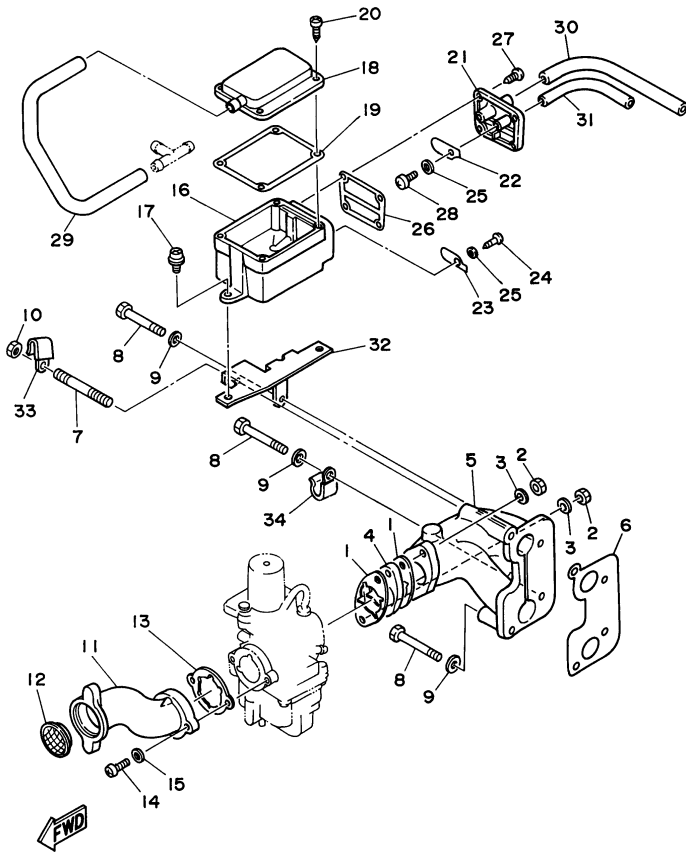
©2014 Yamaha Motor Corporation, U.S.A. All rights reserved.

Part List

F9.9MLHV 1997 / VALVE

REF - NO	PART NUMBER	PART NAME	QUANTITY	REMARKS
1	6G8-12111-00-00	VALVE, INTAKE	2	
2	6G8-12121-01-00	VALVE, EXHAUST	2	
3	6G8-12116-00-00	SEAT, VALVE SPRING	4	
4	6G8-12113-00-00	SPRING, VALVE INNER	4	
5	6G8-12117-00-00	RETAINER, VALVE SPRING	2	
6	30X-12118-00-00	LOCK, VALVE SPRING RETAINER	4	
7	6G8-12117-10-00	RETAINER, VALVE SPRING	2	
8	6G8-12153-00-00	LIFTER, VALVE	2	
9	51Y-12119-00-00	SEAL, VALVE STEM	4	
10	6G8-12151-00-00	ARM, VALVE ROCKER	4	
11	6G8-12159-00-00	SCREW, VALVE ADJUSTING	4	
12	6G8-12158-00-00	NUT, LOCK	4	
13	6G8-12146-00-00	SHAFT, ROCKER	2	
14	90387-13M56-00	COLLAR	3	
15	90501-12M40-00	SPRING, COMPRESSION	3	
16	90501-12M41-00	SPRING, COMPRESSION	1	

F9.9MLHV 1997 / INTAKE



©2014 Yamaha Motor Corporation, U.S.A. All rights reserved.



Part List

F9.9MLHV 1997 / INTAKE

REF - NO	PART NUMBER	PART NAME	QUANTITY	REMARKS
1	6G8-13646-A0-00	GASKET, MANIFOLD 2	2	
2	95380-06700-00	NUT	2	
3	92990-06600-00	WASHER, PLATE	2	
4	6G8-13647-00-00	GASKET, MANIFOLD 3	1	
5	6G8-13641-01-94	MANIFOLD 1	1	
6	6G8-13645-00-00	GASKET, MANIFOLD 1	1	
7	90116-06M15-00	BOLT, STUD	1	
8	97095-06045-00	.BOLT	3	
9	92990-06600-00	WASHER, PLATE	3	
10	95380-06700-00	NUT	1	
11	6G8-14479-02-94	FUNNEL	1	
12	6G8-14478-00-00	LOUVER	1	
13	6G8-14198-A0-00	.GASKET	1	
14	98580-05016-00	SCREW, PAN HEAD	2	
15	92990-05600-00	WASHER, PLATE	2	
16	6G8-15358-00-00	SEPARATOR, OIL	1	
17	90159-06M05-00	SCREW, WITH WASHER	2	
18	6G8-15368-00-94	SEPERATOR, OIL	1	
19	6G8-15369-00-00	GASKET, OIL SEAL HOUSING	1	
20	97780-40112-00	SCREW, TAPPING	4	
21	6G8-15371-00-94	BREATHER	1	
22	6G8-15346-00-00	BREATHER 1	1	
23	6G8-15347-00-00	BREATHER 2	1	
24	97780-40112-00	SCREW, TAPPING	1	
25	92990-04200-00	WASHER	2	
26	6G8-15374-00-00	GASKET, BREATHER	1	
27	97780-40112-00	SCREW, TAPPING	4	
28	98507-04010-00	SCREW, PAN HEAD	1	
29	6G8-15393-00-00	PIPE, BREATHER 2	1	
30	90445-11M52-00	HOSE (L150)	1	
31	90445-09078-00	HOSE	1	
32	6G8-15376-00-00	HOLDER, GUIDE	1	
33	90465-08028-00	CLAMP	1	
34	90465-08028-00	CLAMP	1	

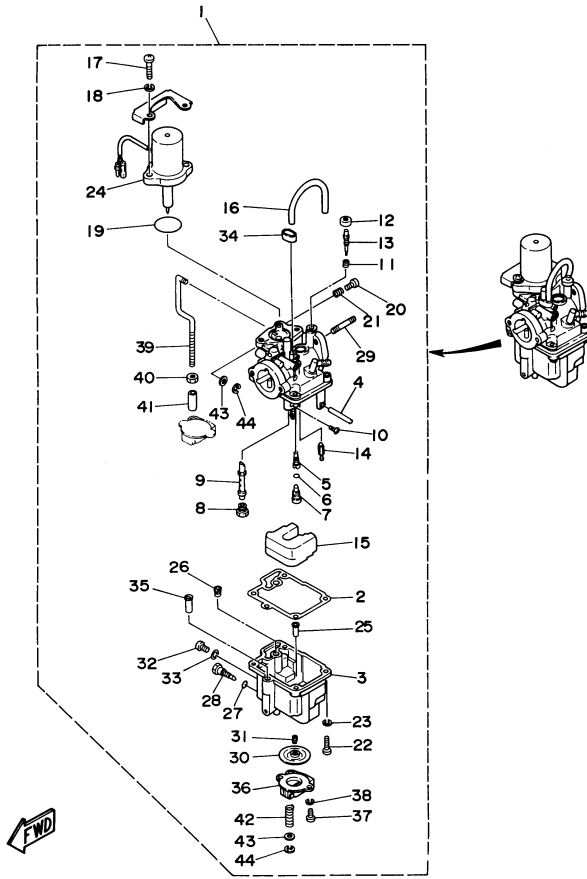
Part Notes

F9.9MLHV 1997 / INTAKE

PART NUMBER		NOTE TEXT
92990-06600-00		OEM: This part number is among the Top 100 Most Popular Marine Maintenance Parts as of March 2014.
92990-06600-00		OEM: This part number is among the Top 100 Most Popular Marine Maintenance Parts as of March 2014.

©2014 Yamaha Motor Corporation, U.S.A. All rights reserved.

F9.9MLHV 1997 / CARBURETOR



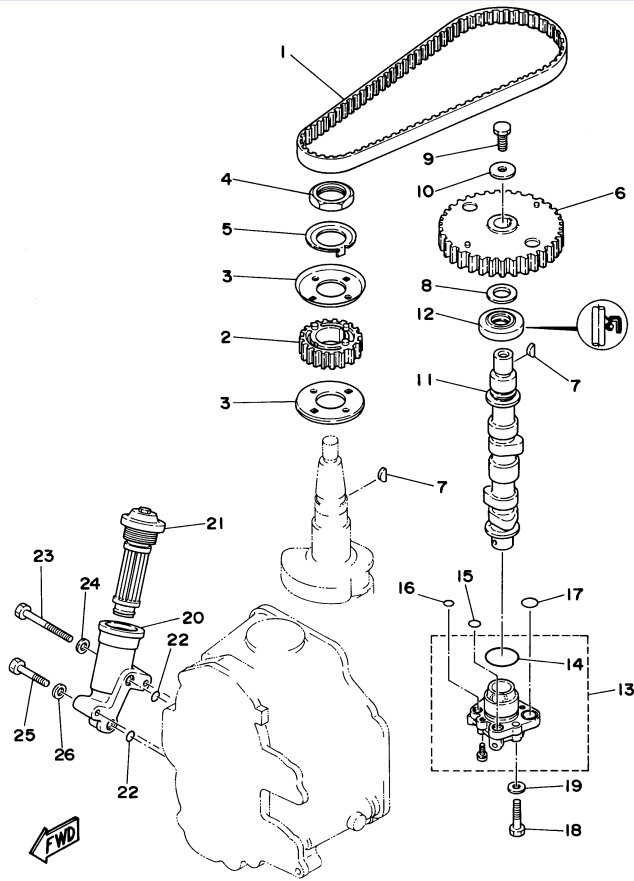
©2014 Yamaha Motor Corporation, U.S.A. All rights reserved.

Part List

F9.9MLHV 1997 / CARBURETOR

REF - NO	PART NUMBER	PART NAME	QUANTITY	REMARKS
1	6G9-14301-05-00	CARBURETOR ASSEMBLY 1	1	
2	6G8-14384-01-00	.GASKET, FLOAT CHAMBER	1	
3	6G8-14381-02-00	.BODY, FLOAT CHAMBER	1	
4	647-14386-10-00	.PIN, FLOAT	1	
5	6G8-14342-24-00	.JET, PILOT (#48)	1	
6	654-14198-00-00	.GASKET	1	
7	6G8-14345-00-00	.PLUG, MAIN NOZZLE	1	
8	648-14343-43-00	.JET, MAIN (#86)	1	
9	6G8-14341-20-00	.NOZZLE, MAIN	1	
10	6G8-14216-00-00	.SCREW	1	
11	647-14334-00-00	.SPRING	1	
12	6G8-14997-00-00	.SEAL	1	
13	6G8-14323-00-00	.SCREW, AIR ADJUSTING	1	
14	6G8-14392-00-00	.VALVE, NEEDLE	1	
15	6G8-14385-00-00	.FLOAT	1	
16	6G8-14197-01-00	.PIPE	1	
17	97880-06018-00	.SCREW, PAN HEAD	2	
18	92995-06100-00	.WASHER, SPRING	2	
19	1HV-14147-00-00	.O-RING	1	
20	664-14321-01-00	.SCREW, THROTTLE	1	
21	646-14212-00-00	.SPRING, PILOT ADJUSTING	1	
22	98580-04016-00	.SCREW, PAN HEAD	4	
23	92990-04100-00	.WASHER, SPRING	4	
24	6G8-1410A-01-00	.STARTER SET	1	
25	6G8-14827-00-00	.FILTER	1	
26	6A4-14344-30-00	.JET, STARTER (#60)	1	
27	5Y1-14397-00-00	.O-RING	1	
28	6G8-14383-00-00	.SCREW, DRAIN	1	
29	90116-06M26-00	.BOLT, STUD	2	
30	6G8-14368-02-00	.DIAPHRAGM ASSEMBLY	1	
31	6G8-14275-01-00	.SPRING	1	
32	97890-05006-00	.SCREW, PAN HEAD	1	
33	646-14198-01-00	.GASKET	1	
34	6G8-14349-00-00	.PIPE	1	
35	6G8-14217-00-00	.VALVE, CHOKE	1	
36	6G8-14293-03-00	.COVER 1	1	
37	98580-04010-00	.SCREW, PAN HEAD	2	
38	92990-04100-00	.WASHER, SPRING	2	
39	6G8-14379-00-00	.ROD, STARTER	1	
40	98813-03100-00	.NUT	1	
41	6G8-14229-00-00	.SHAFT, CHOKE	1	
42	6G8-14286-01-00	.SPRING	1	
43	6G8-14357-00-00	.WASHER, PLAIN	2	
44	389-14137-00-00	.CLIP	2	

F9.9MLHV 1997 / OIL PUMP






©2014 Yamaha Motor Corporation, U.S.A. All rights reserved.

Part List *F9.9MLHV 1997 / OIL PUMP*

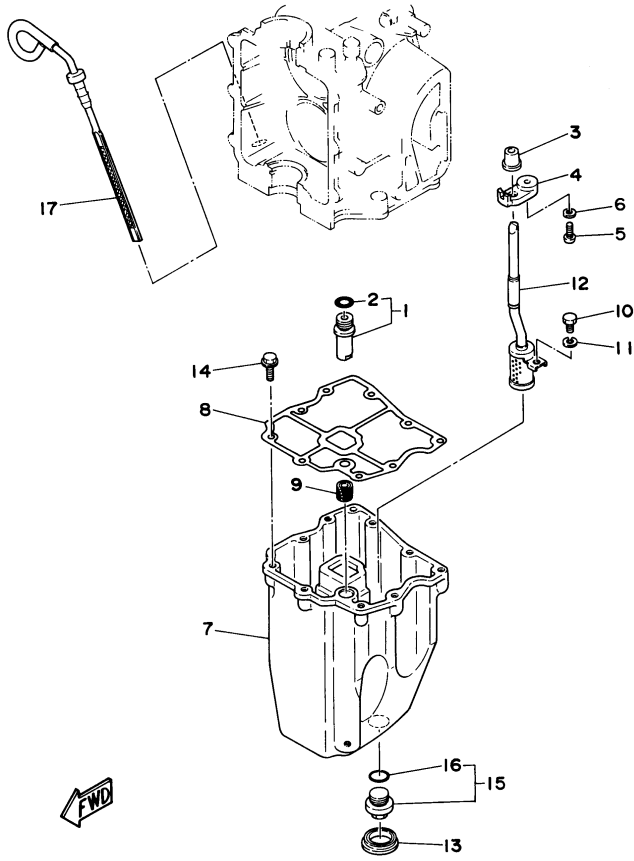
REF - NO	PART NUMBER	PART NAME	QUANTITY	REMARKS
1	6G8-46241-00-00	V-BELT	1	
2	6G8-11536-00-94	GEAR, DRIVE	1	
3	6G8-11557-00-00	WASHER 1	2	
4	90170-24M09-00	NUT	1	
5	6G8-11587-00-00	WASHER, LOCK	1	
6	6G8-11537-00-94	GEAR, DRIVEN	1	
7	90280-03M01-00	.KEY, WOODRUFF	2	
8	90201-13201-00	WASHER, PLATE	1	
9	97095-06016-00	BOLT	1	
10	90201-06M94-00	WASHER, PLATE	1	
11	6G8-12171-00-00	CAMSHAFT 1	1	
12	93102-18M21-00	.OIL SEAL	1	
13	6G8-13300-02-00	OIL PUMP ASSY	1	
14	93210-27ME3-00	.O-RING	1	
15	93210-10M61-00	.O-RING	1	
16	93210-09M01-00	.O-RING	1	
17	93210-13M63-00	.O-RING	2	
18	97095-06025-00	BOLT	3	
19	92990-06600-00	WASHER, PLATE	3	
20	6G8-13442-00-94	HOUSING, OIL FILTER	1	
21	6G8-13440-00-00	ELEMENT ASSY,OIL CLEANER	1	
22	93210-09M01-00	.O-RING	2	
23	97313-06050-00	BOLT	1	
24	92990-06600-00	WASHER, PLATE	1	
25	97095-06030-00	BOLT	1	
26	92990-06600-00	WASHER, PLATE	1	

Part Notes *F9.9MLHV 1997 / OIL PUMP*

PART NUMBER	NOTE TEXT
92990-06600-00 	OEM: This part number is among the Top 100 Most Popular Marine Maintenance Parts as of March 2014.
92990-06600-00 	OEM: This part number is among the Top 100 Most Popular Marine Maintenance Parts as of March 2014.
92990-06600-00 	OEM: This part number is among the Top 100 Most Popular Marine Maintenance Parts as of March 2014.

©2014 Yamaha Motor Corporation, U.S.A. All rights reserved.

F9.9MLHV 1997 / OIL PAN



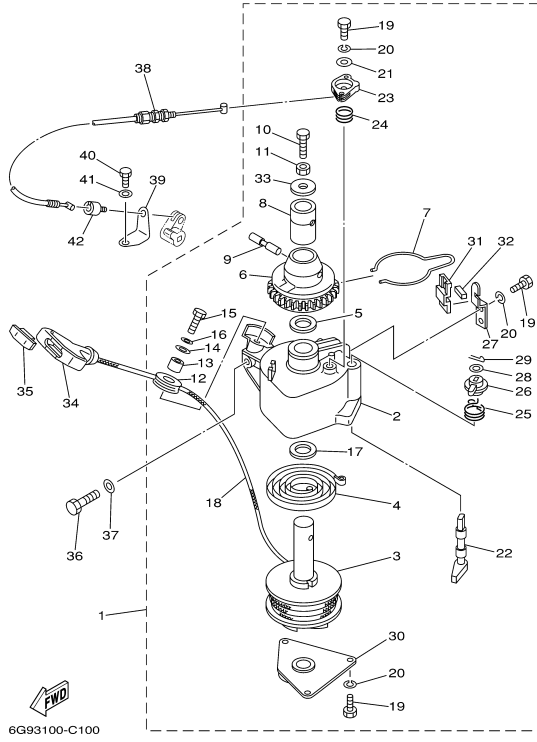
©2014 Yamaha Motor Corporation, U.S.A. All rights reserved.

Part List

F9.9MLHV 1997 / OIL PAN

REF - NO	PART NUMBER	PART NAME	QUANTITY	REMARKS
1	6G8-11575-00-00	RELIEF VALVE ASSY	1	
2	93210-12M62-00	.O-RING	1	
3	6G8-15379-00-00	SEAL, CRANKCASE	1	
4	6G8-13487-00-00	GUIDE, OIL HOSE	1	
5	98580-05012-00	.SCREW, PAN HEAD	1	
6	92990-05600-00	WASHER, PLATE	1	
7	6G8-15311-03-0D	OIL PAN	1	
8	6G8-15312-A1-00	.GASKET, OIL PAN	1	
9	6G8-45127-00-00	SEAL	1	
10	97095-06010-00	BOLT	1	
11	92995-06100-00	WASHER, SPRING	1	
12	6G8-13421-00-00	STRAINER 2	1	
13	6G8-15316-00-00	DAMPER, ENGINE MOUNT 1	1	
14	90105-06M33-00	BOLT, FLANGE	9	
15	6G8-13471-00-00	PLUG, DRAIN	1	
16	93210-16716-00	.O-RING	1	
17	6G8-15362-04-00	PLUG, OIL LEVEL	1	

F9.9MLHV 1997 / STARTER




©2014 Yamaha Motor Corporation, U.S.A. All rights reserved.

Part List F9.9MLHV 1997 / STARTER

REF - NO	PART NUMBER	PART NAME	QUANTITY	REMARKS
1	6G8-15710-10-00	STARTER ASSY	1	
2	6G8-15711-00-00	.CASE, STARTER	1	
3	6G8-15714-00-00	.DRUM, SHEAVE	1	
4	6G8-15713-00-00	.SPRING, STARTER	1	
5	6G8-15719-00-00	.WASHER, THRUST	1	
6	6G8-15723-00-00	.PULLEY, STARTER	1	
7	6G8-15715-00-00	.SPRING, FRICTION	1	
8	6G8-15754-00-00	.BUSH 2	1	
9	6G8-15727-00-00	.PIN	1	
10	6G8-15768-00-00	.BOLT	1	
11	95304-08700-00	.NUT	1	
12	6F5-15752-00-00	.ROLLER, WIRE	1	
13	6F5-15753-00-00	.BUSH	1	
14	6F5-15791-00-00	.WASHER, LOCK	1	
15	97315-06025-00	.BOLT	1	
16	92995-06100-00	.WASHER, SPRING	1	
17	6G8-15739-00-00	.WASHER, THRUST	1	
18	90580-50M01-00	.ROPE, STARTER	1	
19	97013-05012-00	.BOLT	6	
20	92990-05100-00	.WASHER, SPRING	6	
21	6G8-15742-00-00	.WASHER, DRIVE PAWL	1	
22	6G8-15794-00-00	.STOPPER	1	
23	6G8-15746-00-00	.ARM	1	
24	6G8-15767-00-00	.SPRING	1	
25	6G8-15734-00-00	.SPRING, RETURN	1	
26	6G8-15747-00-00	.LINK	1	
27	6G8-15716-00-00	.PLATE, DRIVE	1	
28	92990-06200-00	.WASHER, PLAIN	1	
29	91490-16020-00	.PIN, COTTER	1	
30	6G8-15712-00-00	.COVER, STARTER CASE	1	
31	6G8-15779-00-00	.COVER	1	
32	6G8-15789-00-00	.DAMPER	1	
33	6G8-15742-00-00	.WASHER, DRIVE PAWL	1	
34	6G1-15755-00-00	.HANDLE, STARTER	1	
35	689-15779-01-00	COVER	1	
36	97013-08030-00	BOLT	3	
37	92990-08600-00	..WASHER, PLATE	3	
38	6G8-15770-00-00	CABLE COMP., STARTER STOP	1	
39	6G8-15771-00-00	STAY 1	1	
40	97095-06012-00	BOLT	1	
41	92990-06600-00	WASHER, PLATE	1	
42	6G8-15772-00-00	STAY 2	1	
43	6G8-44125-00-00	LEVER, SHIFT ROD	1	

Part Notes F9.9MLHV 1997 / STARTER




PART NUMBER	NOTE TEXT
92990-06600-00 	OEM: This part number is among the Top 100 Most Popular Marine Maintenance Parts as of March 2014.

©2014 Yamaha Motor Corporation, U.S.A. All rights reserved.

Part List F9.9MLHV 1997 / FUEL

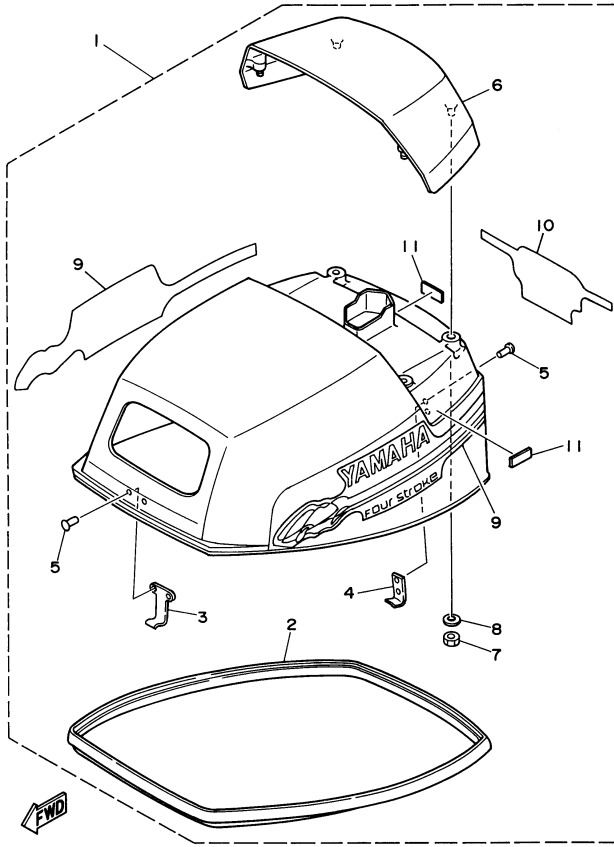
REF - NO	PART NUMBER	PART NAME	QUANTITY	REMARKS
1	6G1-24304-02-00	FUEL PIPE JOINT COMP. 1	1	
2	6G8-24329-00-00	SEAL	1	
3	97595-06520-00	BOLT, WITH WASHER	1	
4	6G8-24311-00-00	PIPE, FUEL 1	1	
5	646-24251-02-00	.STRAINER 1	1	
6	90445-09078-00	HOSE	1	
7	90467-08004-00	CLIP	4	
8	6G8-24410-03-00	FUEL PUMP ASSY	1	
9	6G8-24421-00-00	.VALVE, CHECK	1	
10	6G8-24411-02-00	.DIAPHRAGM	1	
11	98780-03008-00	.SCREW, FLAT HEAD	2	
12	98580-04014-00	.SCREW, PAN HEAD	4	
13	92990-04200-00	.WASHER	4	
14	6G8-24471-00-00	.DIAPHRAGM	1	
15	98580-06025-00	SCREW, PAN HEAD	2	
16	92995-06100-00	WASHER, SPRING	2	
17	92990-06600-00	WASHER, PLATE	2	
18	93210-20M65-00	.O-RING	1	
19	90445-09332-00	HOSE (JN3)	1	
20	90467-08004-00	CLIP	2	

Part Notes F9.9MLHV 1997 / FUEL

PART NUMBER	NOTE TEXT
646-24251-02-00	 OEM: This part number is among the Top 100 Most Popular Marine Maintenance Parts as of March 2014.
6G8-24410-03-00	 OEM: The new pump has two additional barbs installed in the base so that cooling water from the overboard water pump indicator can be routed through the fuel pump to prevent vapor lock condit
92990-06600-00	 OEM: This part number is among the Top 100 Most Popular Marine Maintenance Parts as of March 2014.

©2014 Yamaha Motor Corporation, U.S.A. All rights reserved.

F9.9MLHV 1997 / TOP COWLING



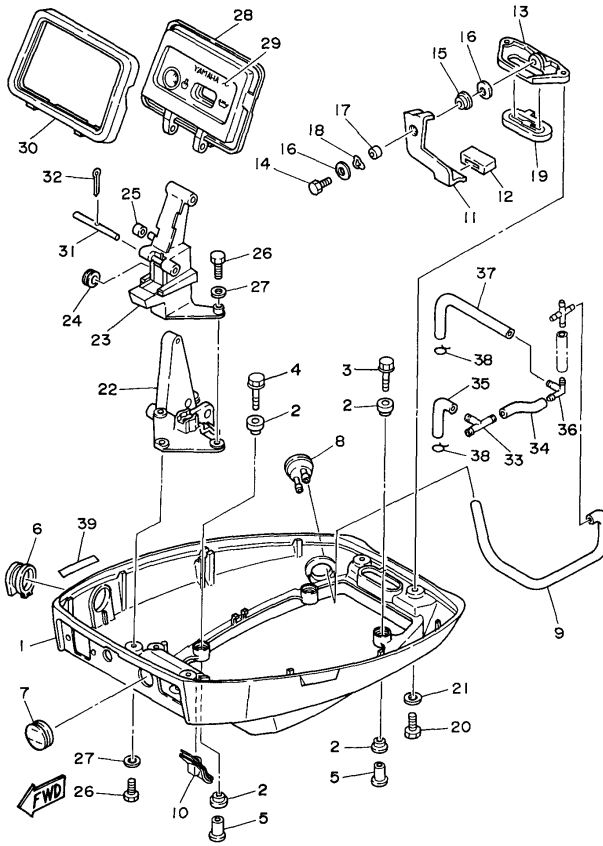
©2014 Yamaha Motor Corporation, U.S.A. All rights reserved.

Part List

F9.9MLHV 1997 / TOP COWLING

REF - NO	PART NUMBER	PART NAME	QUANTITY	REMARKS
1	6G9-42610-14-4D	TOP COWLING ASSY	1	
2	6G8-42615-01-00	.SEAL	1	
3	6G8-42651-00-00	.HOOK	1	
4	6G8-42652-00-00	.HOOK	1	
5	90266-04M04-00	.RIVET	4	
6	6G8-42613-01-4D	.MOLDING, AIR DUCT	1	
7	95380-06700-00	.NUT	4	
8	92990-06200-00	.WASHER, PLAIN	4	
9	6G9-W0070-13-00	.GRAPHIC SET	1	
10	6G9-42678-13-00	.GRAPHIC, REAR	1	
11	6G8-42662-00-00	.DAMPER	3	

F9.9MLHV 1997 / BOTTOM COWLING



©2014 Yamaha Motor Corporation, U.S.A. All rights reserved.

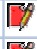

Part List

F9.9MLHV 1997 / BOTTOM COWLING

REF - NO	PART NUMBER	PART NAME	QUANTITY	REMARKS
1	6G8-42711-02-4D	COWLING, BOTTOM 1	1	
2	90480-09M35-00	GROMMET	8	
3	90119-06M56-00	BOLT, WITH WASHER	2	
4	90119-06M55-00	BOLT, WITH WASHER	2	
5	90387-06M15-00	COLLAR	4	
6	6G9-42724-00-00	GROMMET	1	
7	6G8-42725-10-00	GROMMET	1	
8	6G8-44391-00-00	NIPPLE, HOSE	1	
9	90445-09163-00	HOSE (L235)	1	
10	6G8-42727-00-00	GROMMET	1	
11	6G8-42815-00-00	LEVER, CLAMP	1	
12	6G8-42831-00-00	BUSHING	1	
13	6G8-42811-00-94	STAY	1	
14	97095-06016-00	BOLT	1	
15	90386-08M49-00	BUSH	1	
16	90201-06M31-00	.WASHER, PLATE	2	
17	90387-06M72-00	COLLAR	1	
18	90206-08M13-00	WASHER, WAVE	1	
19	6G8-42748-00-00	GROMMET	1	
20	97095-06016-00	BOLT	2	
21	92990-06600-00	WASHER, PLATE	2	
22	6G8-42738-00-94	PLATE, FITTING	1	
23	6G8-42719-00-94	PANEL, FRONT LOWER	1	
24	90480-19031-00	GROMMET	1	
25	90445-05ME6-00	HOSE (L8)	1	
26	97095-06016-00	BOLT	4	
27	92990-06600-00	WASHER, PLATE	4	
28	6G8-42614-02-00	PANEL, FRONT UPPER	1	
29	6G8-42677-00-00	GRAPHIC, FRONT	1	
30	6G8-42629-02-00	SEAL	1	
31	6G8-42755-00-00	HINGE, COWLING	1	
32	91490-16010-00	PIN, COTTER	1	
33	6G8-24379-00-00	PIPE, JOINT 4	1	
34	90445-10M78-00	HOSE (L50)	1	
35	6G8-12476-00-00	PIPE 6	1	
36	6G8-24378-01-00	PIPE, JOINT 3	1	
37	6G8-12485-00-00	PIPE 5	1	
38	90467-10M04-00	CLIP	2	
39	6E0-44191-11-00	INDICATOR, SHIFT	1	

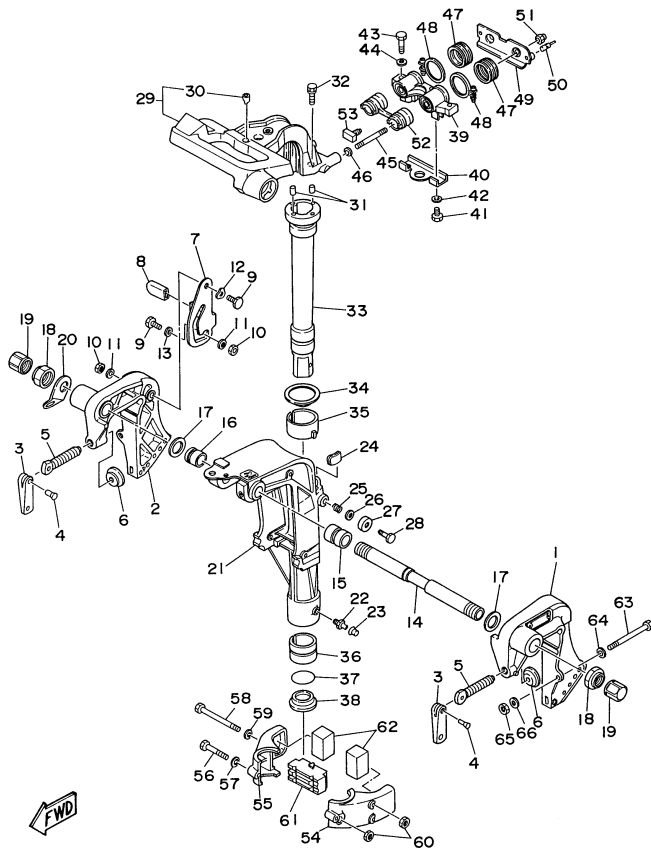
Part Notes

F9.9MLHV 1997 / BOTTOM COWLING

PART NUMBER	NOTE TEXT
92990-06600-00 	OEM: This part number is among the Top 100 Most Popular Marine Maintenance Parts as of March 2014.
92990-06600-00 	OEM: This part number is among the Top 100 Most Popular Marine Maintenance Parts as of March 2014.

©2014 Yamaha Motor Corporation, U.S.A. All rights reserved.

F9.9MLHV 1997 / BRACKET 1



©2014 Yamaha Motor Corporation, U.S.A. All rights reserved.





Part List

F9.9MLHV 1997 / BRACKET 1

REF - NO	PART NUMBER	PART NAME	QUANTITY	REMARKS
1	6G8-43111-04-4D	BRACKET, CLAMP 1	1	
2	6G8-43112-04-4D	BRACKET, CLAMP 2	1	
3	6E0-43118-01-00	HANDLE, TRANSOM CLAMP	2	
4	90243-04M01-00	PIN	2	
5	6E7-43116-00-00	SCREW, TRANSOM CLAMP	2	
6	648-43114-01-00	PAD, TRANSOM CLAMP	2	
7	6G8-43181-00-00	LEVER, TILT STOP	1	
8	682-43318-01-00	COVER	1	
9	90109-06M25-00	BOLT	2	
10	95680-06100-00	NUT, U	2	
11	92990-06600-00	WASHER, PLATE	2	
12	90206-10M15-00	WASHER, WAVE	1	
13	682-43339-01-00	WASHER	1	
14	6G8-43131-00-00	BOLT, CLAMP BRACKET	1	
15	90386-22M92-00	BUSH	1	
16	90386-22M93-00	BUSH	1	
17	90201-22M03-00	WASHER, PLATE	2	
18	90185-22M11-00	NUT, SELF-LOCKING	2	
19	6G5-43145-00-00	CAP, CLAMP BRACKET	2	
20	6J8-43113-01-00	PLATE, CLAMP BRACKET	1	
21	6G8-43311-15-4D	BRACKET, SWIVEL 1	1	UR LONG
21	6G9-43311-04-4D	BRACKET, SWIVEL 1	1	UR SHORT
22	93700-06M03-00	NIPPLE, GREASE	1	
23	663-45119-00-00	CAP, GREASE NIPPLE	1	AP
24	6G8-42528-00-00	PLATE, FRICTION	1	
25	90501-18M00-00	SPRING, COMPRESSION	1	
26	90201-06M31-00	.WASHER, PLATE	1	
27	6G8-43373-00-00	SEAL, DAMPER	1	
28	97095-06025-00	BOLT	1	
29	6G9-42511-01-4D	BRACKET, STEERING	1	
30	6G8-42534-00-00	.PIN, DOWEL	1	
31	93605-15065-00	PIN, DOWEL	2	
32	90119-06M06-00	BOLT, WITH WASHER	2	
33	6G8-42521-10-94	SHAFT, STEERING PIVOT	1	UR LONG
33	6G9-42521-00-94	SHAFT, STEERING PIVOT	1	UR SHORT
34	90209-45M09-00	WASHER	1	
35	6G8-42537-00-00	BUSHING, PIVOT SHAFT	1	
36	90386-37M47-00	BUSH	1	
37	93210-37M67-00	O-RING	1	
38	90386-37M48-00	BUSH	1	
39	6G8-44517-00-94	MOUNT RUBBER	1	
40	6G8-44526-00-00	PLATE	1	
41	97095-06012-00	BOLT	2	
42	92990-06600-00	WASHER, PLATE	2	
43	97095-08030-00	BOLT	2	
44	92990-08600-00	..WASHER, PLATE	2	
45	90116-08M28-00	BOLT, STUD	2	
46	90201-08M12-00	.WASHER, PLATE	2	
47	6G8-44522-00-00	SEAL	2	
48	90460-38M06-00	CLAMP, HOSE	2	
49	6G8-44518-00-00	BRACKET COMP.	1	
50	6G8-44533-00-00	DAMPER, UPPER MOUNT RUBBER	2	
51	95780-08300-00	..NUT, FLANGE	2	
52	6G8-44521-00-00	SEAL	1	
53	6G8-44532-00-00	STOPPER, UPPER MOUNT	1	
54	6G8-44551-01-4D	HOUSING, LOWER MOUNT RUBBER	1	
55	6G8-44552-02-4D	HOUSING, LOWER MOUNT RUBBER	1	
56	97095-06045-00	.BOLT	1	
57	92990-06600-00	WASHER, PLATE	1	
58	97095-06095-00	BOLT	2	
59	92990-06600-00	WASHER, PLATE	2	
60	95380-06700-00	NUT	3	
61	6G8-44557-00-00	MOUNT DAMPER, LOWER FRONT	1	
62	682-44555-00-00	MOUNT DAMPER, LOWER SIDE	2	
63	90101-08M88-00	BOLT	2	
64	92990-08600-00	..WASHER, PLATE	2	
65	95780-08300-00	..NUT, FLANGE	2	
66	90201-08MA4-00	WASHER, PLATE	2	

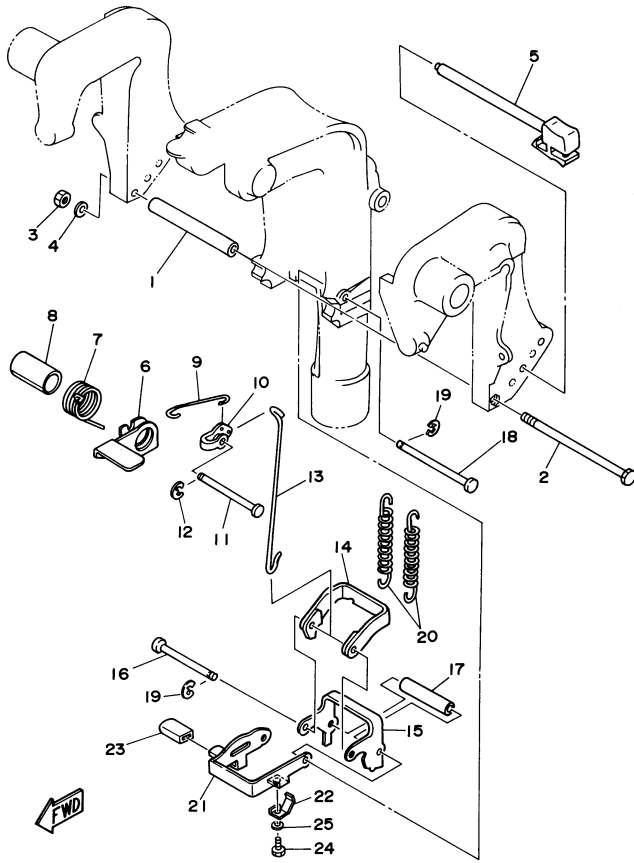
Part Notes

F9.9MLHV 1997 / BRACKET 1

PART NUMBER	NOTE TEXT
92990-06600-00 	OEM: This part number is among the Top 100 Most Popular Marine Maintenance Parts as of March 2014.
92990-06600-00 	OEM: This part number is among the Top 100 Most Popular Marine Maintenance Parts as of March 2014.
92990-06600-00 	OEM: This part number is among the Top 100 Most Popular Marine Maintenance Parts as of March 2014.
92990-06600-00 	OEM: This part number is among the Top 100 Most Popular Marine Maintenance Parts as of March 2014.

©2014 Yamaha Motor Corporation, U.S.A. All rights reserved.

F9.9MLHV 1997 / BRACKET 2



©2014 Yamaha Motor Corporation, U.S.A. All rights reserved.



Part List

F9.9MLHV 1997 / BRACKET 2

REF - NO	PART NUMBER	PART NAME	QUANTITY	REMARKS
1	90387-06M09-00	COLLAR	1	
2	97095-06135-00	BOLT	1	
3	95380-06700-00	NUT	1	
4	92990-06600-00	WASHER, PLATE	1	
5	6G8-43160-01-00	TILT ROD ASSY	1	
6	6G8-43631-03-00	LEVER, TILT	1	
7	90508-18M33-00	SPRING, TORSION	1	
8	90386-20M94-00	BUSH	1	
9	6G8-43616-00-00	ROD, TILT LOCK	1	
10	682-43641-00-00	LEVER, TILT	1	
11	90249-06M20-00	PIN	1	
12	99080-05600-00	CIRCLIP	1	
13	6G8-43617-00-00	ROD, TILT LOCK	1	
14	682-43614-00-00	PLATE, TILT LOCK	1	
15	682-43615-01-00	PLATE, TILT LOCK	1	
16	682-43611-01-00	SHAFT, TILT LOCK	1	
17	90387-06M20-00	COLLAR	1	
18	682-43659-00-00	SHAFT, REVERSE LOCK	1	
19	99080-05600-00	CIRCLIP	2	
20	90506-26M07-00	SPRING, TENSION	2	UR FOR DUAL THRUST PROP
20	90506-26M01-00	SPRING, TENSION	2	UR
21	6G9-43681-00-00	LEVER, SHALLOW WATER DRIVE 1	1	
22	6G9-43643-00-00	SPRING	1	
23	682-43318-01-00	COVER	1	
24	97095-06008-00	BOLT	1	
25	92990-06600-00	WASHER, PLATE	1	

Part Notes

F9.9MLHV 1997 / BRACKET 2

PART NUMBER	NOTE TEXT
92990-06600-00 	OEM: This part number is among the Top 100 Most Popular Marine Maintenance Parts as of March 2014.
92990-06600-00 	OEM: This part number is among the Top 100 Most Popular Marine Maintenance Parts as of March 2014.

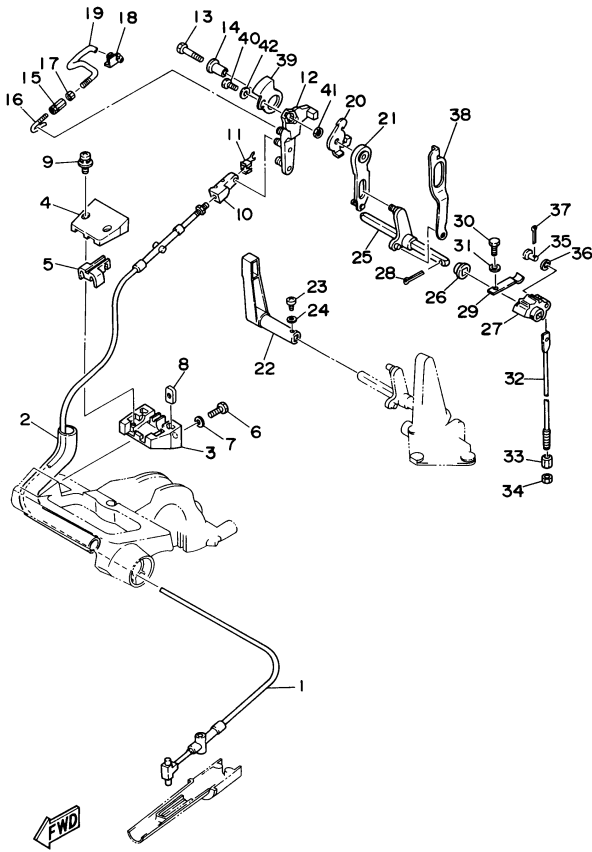
©2014 Yamaha Motor Corporation, U.S.A. All rights reserved.

Part List

F9.9MLHV 1997 / STEERING

REF - NO	PART NUMBER	PART NAME	QUANTITY	REMARKS
1	6G9-42111-02-4D	HANDLE, STEERING	1	
2	6G9-42112-01-4D	HANDLE, STEERING	1	
3	98780-05016-00	.SCREW, FLAT HEAD	3	
4	6G8-42126-01-94	FRICITION, STEERING HANDLE GRIP	1	
5	90501-23M42-00	SPRING, COMPRESSION	1	
6	97880-06030-00	SCREW, PAN HEAD	1	
7	90201-06049-00	WASHER, PLATE	1	
8	90202-06007-00	WASHER, PLATE	1	
9	95380-06700-00	NUT	1	
10	6G8-42119-00-00	GRIP, STEERING HANDLE	1	
11	6G8-42137-01-00	INDICATOR, THROTTLE	1	
12	90269-02M09-00	RIVET	1	
13	6G8-42177-00-00	RUBBER, HANDLE	1	
14	90386-33M56-00	BUSH	1	
15	90206-20M14-00	WASHER, WAVE	1	
16	90201-20M00-00	WASHER, PLATE	2	
17	90185-20M03-00	NUT, SELF-LOCKING	1	
18	90202-20M33-00	WASHER, PLATE	1	

F9.9MLHV 1997 / CONTROL






©2014 Yamaha Motor Corporation, U.S.A. All rights reserved.

Part List *F9.9MLHV 1997 / CONTROL*

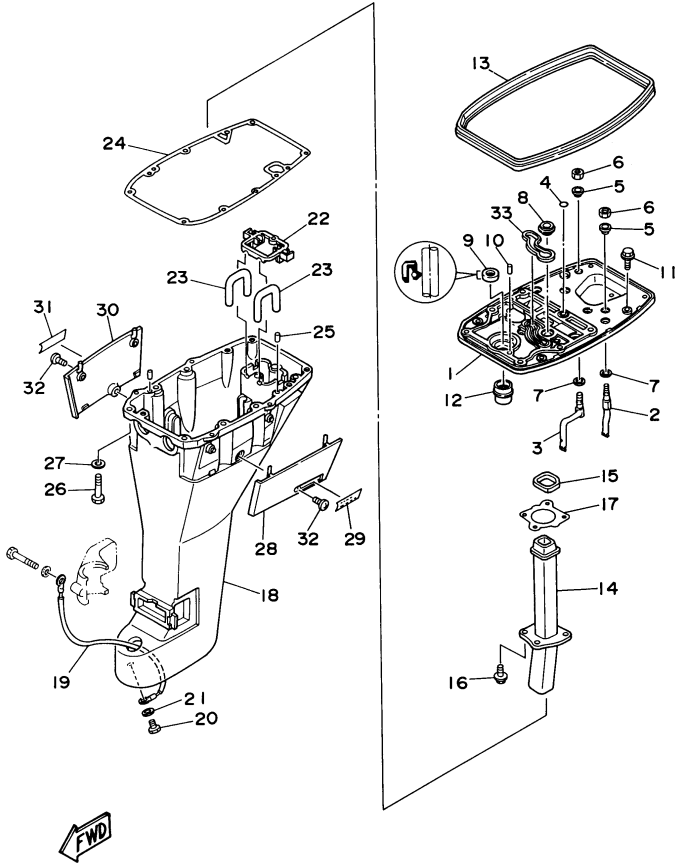
REF - NO	PART NUMBER	PART NAME	QUANTITY	REMARKS
1	6G9-48311-02-00	CABLE	1	
2	90445-24M00-00	HOSE (L165)	1	
3	6G8-41661-00-98	BRACKET	1	
4	6G8-41662-00-98	BRACKET	1	
5	6G8-41663-00-00	BRACKET 3	1	
6	97095-06016-00	BOLT	2	
7	92990-06600-00	WASHER, PLATE	2	
8	6G8-41654-00-00	NUT	2	
9	90159-05M06-00	SCREW, WITH WASHER	2	
10	6G8-26363-00-00	.END, WIRE 1	1	
11	6G8-26364-00-00	.END, CABLE	1	
12	6G8-41212-00-00	ARM, ACCEL.	1	
13	97095-06030-00	BOLT	1	
14	90387-06M58-00	COLLAR	1	
15	6G8-41238-01-00	JOINT, LINK	1	
16	6G8-41241-01-00	ROD, LINK	1	
17	95303-04600-00	.NUT	1	
18	6G8-41237-01-00	JOINT, LINK	1	
19	6G8-41242-01-00	ROD 2	1	
20	6G8-14493-00-00	STAY 1	1	
21	6G8-44111-00-00	HANDLE, GEAR SHIFT	1	
22	6G9-44111-00-98	HANDLE, GEAR SHIFT	1	
23	97980-04116-00	.SCREW, WITH WASHER	1	
24	92990-04600-00	WASHER, PLATE	1	
25	6G8-44159-00-00	HANDLE, GEAR SHIFT	1	
26	682-44132-00-00	BUSHING	1	
27	682-44121-01-00	LEVER, SHIFT ROD	1	
28	91490-25020-00	PIN. COTTER	1	
29	682-44116-01-00	SPRING	1	
30	97095-06014-00	BOLT	1	
31	92990-06600-00	WASHER, PLATE	1	
32	6G9-44143-00-00	ROD, SHIFT	1	UR SHORT
32	6G8-44143-10-00	ROD, SHIFT	1	UR LONG
33	90170-06015-00	NUT	1	
34	95380-06700-00	NUT	1	
35	91790-05020-00	PIN, CLEVIS	1	
36	92990-05600-00	WASHER, PLATE	1	
37	91490-16010-00	PIN. COTTER	1	
38	6G8-44124-11-00	LINK, SHIFT ROD	1	
39	6G8-41212-11-00	ARM, ACCEL.	1	
40	97395-06014-00	BOLT	1	
41	95380-06600-00	NUT, HEXAGON	1	
42	92990-06600-00	WASHER, PLATE	1	

Part Notes *F9.9MLHV 1997 / CONTROL*

PART NUMBER	NOTE TEXT
92990-06600-00 	OEM: This part number is among the Top 100 Most Popular Marine Maintenance Parts as of March 2014.
92990-06600-00 	OEM: This part number is among the Top 100 Most Popular Marine Maintenance Parts as of March 2014.
92990-06600-00 	OEM: This part number is among the Top 100 Most Popular Marine Maintenance Parts as of March 2014.

©2014 Yamaha Motor Corporation, U.S.A. All rights reserved.

F9.9MLHV 1997 / UPPER CASING



©2014 Yamaha Motor Corporation, U.S.A. All rights reserved.


Part List

F9.9MLHV 1997 / UPPER CASING

REF - NO	PART NUMBER	PART NAME	QUANTITY	REMARKS
1	6G8-41137-04-94	GUIDE, EXHAUST	1	
2	6G8-12483-00-00	PIPE 3	1	
3	6G8-12484-00-00	PIPE 4	1	
4	93210-08M60-00	O-RING	1	
5	90386-10M70-00	BUSH	2	
6	95380-10700-00	NUT	2	
7	90202-10M03-00	WASHER, PLATE	2	
8	6G8-44367-00-00	DAMPER, WATER SEAL	1	
9	93101-13M27-00	O-RING	1	
10	93606-12019-00	.PIN, DOWEL	2	
11	97595-06520-00	BOLT, WITH WASHER	2	
12	6G8-45135-00-00	PIPE	1	
13	6G8-42716-00-00	RUBBER, SEAL 1	1	
14	6G8-41131-01-00	MANIFOLD, EXT. 1	1	
15	6G8-41138-00-00	SEAL, EXT. 1	1	
16	90105-06M33-00	BOLT, FLANGE	4	
17	6G8-41133-A0-00	GASKET, EXHAUST MANIFOLD 1	1	
18	6G8-45111-13-4D	CASING, UPPER	1	UR LONG
18	6G9-45111-03-4D	CASING, UPPER	1	UR SHORT
19	6G8-82149-00-00	WIRE, LEAD 3	1	
20	97095-06012-00	BOLT	1	
21	92990-06600-00	WASHER, PLATE	1	
22	6G8-45151-10-00	COVER, UPPER CASING	1	
23	6G8-45136-00-00	PIPE	2	
24	6G8-45113-A1-00	.GASKET, UPPER CASING	1	
25	93606-12019-00	.PIN, DOWEL	2	
26	97395-08040-00	BOLT	6	
27	92990-08600-00	..WASHER, PLATE	6	
28	6G8-42741-00-4D	APRON	1	
29	6G8-42791-00-00	MARK 1	1	
30	6G8-42771-00-4D	APRON	1	
31	6G8-42792-00-00	MARK	1	
32	90157-06M04-00	SCREW, PAN HEAD	2	
33	6G8-11355-00-00	SEAL, CYLINDER 1	1	

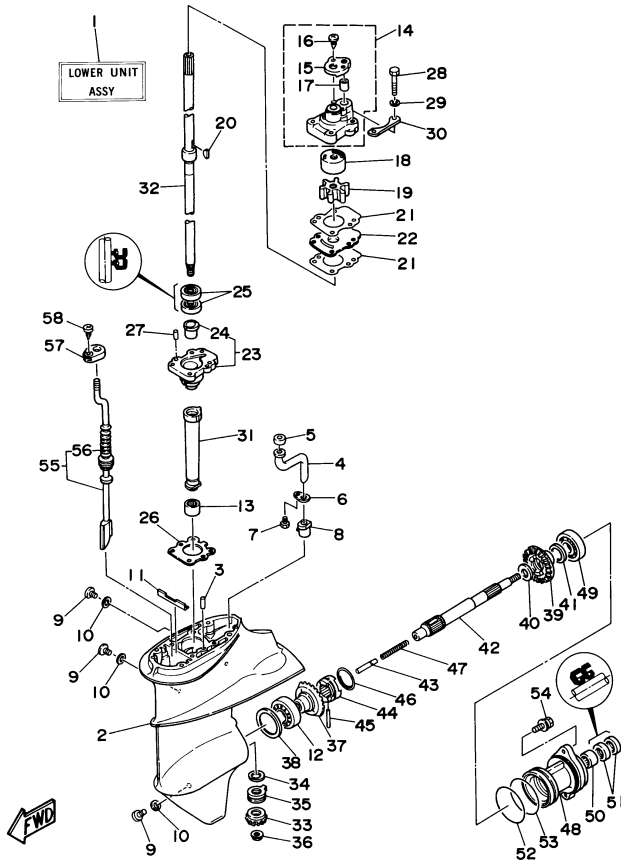
Part Notes

F9.9MLHV 1997 / UPPER CASING

PART NUMBER	NOTE TEXT
92990-06600-00 	OEM: This part number is among the Top 100 Most Popular Marine Maintenance Parts as of March 2014.

©2014 Yamaha Motor Corporation, U.S.A. All rights reserved.

F9.9MLHV 1997 / LOWER CASING DRIVE 1



©2014 Yamaha Motor Corporation, U.S.A. All rights reserved.



Part List

F9.9MLHV 1997 / LOWER CASING DRIVE 1

REF - NO	PART NUMBER	PART NAME	QUANTITY	REMARKS
1	6G9-45300-06-4D	LOWER UNIT ASSY	1	SHORT
1	6G9-45300-16-4D	LOWER UNIT ASSY	1	LONG
2	6E8-45311-00-4D	CASING, LOWER	1	
3	93604-08062-00	PIN, DOWEL	1	
4	683-44362-01-00	TUBE, WATER	1	
5	683-44365-01-00	DAMPER, WATER SEAL	1	
6	683-44373-00-00	SET PLATE, WATER TUBE	1	
7	97095-06010-00	BOLT	1	
8	6E7-44366-00-00	DAMPER, WATER SEAL	1	
9	90340-08M04-00	PLUG, STRAIGHT SCREW	3	
10	90430-08020-00	.GASKET	3	
11	682-45376-01-00	GUIDE, SEAL DAMPER	1	
12	93332-00005-00	BEARING	1	
13	93315-314V8-00	BEARING	1	
14	682-44300-01-00	HOUSING, WATER PUMP	1	
15	682-44312-00-00	.COVER, WATER PUMP HOUSING	1	
16	97780-40112-00	.SCREW, TAPPING	2	
17	682-44365-00-00	.DAMPER, WATER SEAL	1	
18	682-44322-00-00	INSERT, CARTRIDGE	1	
19	682-44352-01-00	IMPELLER	1	
20	90280-03024-00	.KEY, WOODRUFF	1	
21	682-44315-A0-00	GASKET, WATER PUMP	2	
22	682-44323-00-00	OUTER PLATE, CARTRIDGE	1	
23	6E7-45331-00-5B	HOUSING, BEARING	1	
24	626-45316-09-00	.BUSHING, DRIVE SHAFT	1	
25	93101-20048-00	.OIL SEAL	2	
26	683-45315-A0-00	PACKING, LOWER CASING	1	
27	93606-12019-00	.PIN, DOWEL	2	
28	97095-06045-00	.BOLT	4	
29	92990-06600-00	WASHER, PLATE	4	
30	682-44328-00-00	PLATE	2	
31	6E7-45536-00-00	SLEEVE, DRIVE SHAFT	1	
32	6G9-45501-01-00	DRIVE SHAFT COMP.	1	UR SHORT
32	6G9-45501-11-00	DRIVE SHAFT COMP.	1	UR LONG
33	6E7-45551-00-00	PINION (13T)	1	
34	6E8-45587-00-13	SHIM (T:1.13MM)	1	UR
34	6E8-45587-00-20	SHIM (T:1.20MM)	1	UR
35	93341-414V1-00	BEARING	1	
36	90179-08M06-00	NUT	1	
37	6E7-45560-00-00	GEAR	1	
38	664-45567-01-12	SHIM (T:0.12MM)	1	UR
38	664-45567-01-30	SHIM (T:0.30MM)	1	UR
38	664-45567-01-50	SHIM (T:0.50MM)	1	UR
38	664-45567-01-10	SHIM (T:0.10MM)	1	UR
38	664-45567-01-15	SHIM (T:0.15MM)	1	UR
38	664-45567-01-18	SHIM (T:0.18MM)	1	UR
38	664-45567-01-40	SHIM (T:0.40MM)	1	UR
39	6E7-45571-00-00	GEAR 2 (27T)	1	
40	90201-17682-00	WASHER, PLATE	1	
41	626-45577-00-01	SHIM (T:0.10MM)	1	UR
41	626-45577-00-03	SHIM (T:0.30MM)	1	UR
41	626-45577-00-05	SHIM (T:0.50MM)	1	UR
42	683-45611-00-00	SHAFT, PROPELLER	1	
43	650-45635-00-00	PLUNGER, SHIFT	1	
44	682-45631-00-00	CLUTCH, DOG	1	
45	90250-05010-00	PIN, STRAIGHT	1	
46	648-45633-00-00	RING, CROSS PIN	1	
47	90501-14M06-00	SPRING, COMPRESSION	1	
48	683-45361-01-4D	CAP, LOWER CASING	1	
49	93306-00519-00	BEARING	1	
50	93315-317U2-00	BEARING	1	
51	93101-17054-00	.OIL SEAL	2	
52	93210-57M09-00	.O-RING	1	
53	93210-56M80-00	.O-RING	1	
54	97595-06520-00	BOLT, WITH WASHER	2	
55	6G9-44150-00-00	SHIFT CAM ASSY.	1	UR SHORT
55	6G9-44150-10-00	SHIFT CAM ASSY.	1	UR LONG
56	682-44147-00-00	.BOOT, SHIFT ROD	1	
57	682-44176-00-00	BRACKET	1	
58	97780-50110-00	SCREW, PAN HEAD	1	

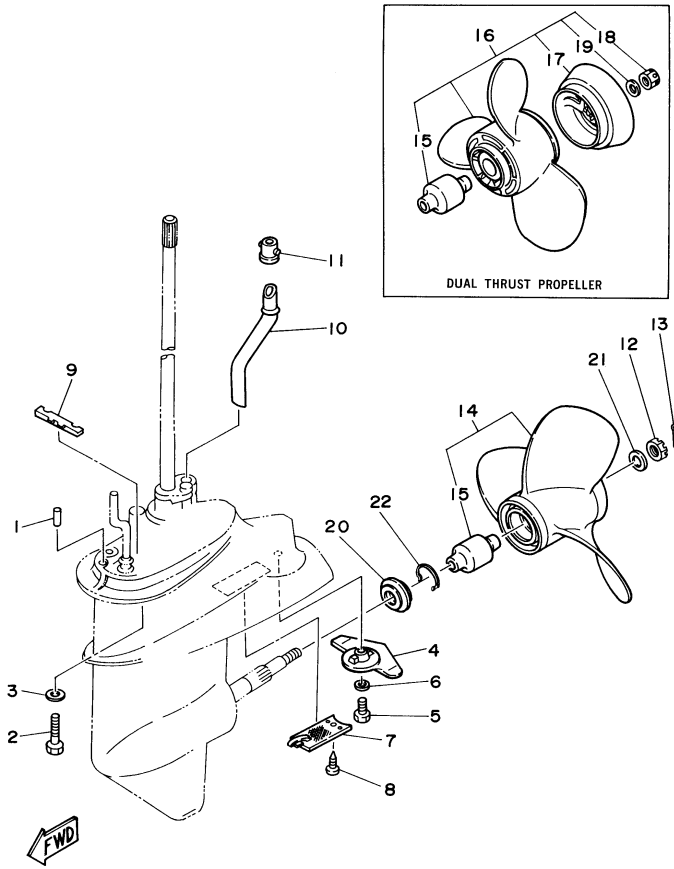
Part Notes

F9.9MLHV 1997 / LOWER CASING DRIVE 1

PART NUMBER	NOTE TEXT
90430-08020-00 	OEM: This part number is among the Top 100 Most Popular Marine Maintenance Parts as of March 2014.
92990-06600-00 	OEM: This part number is among the Top 100 Most Popular Marine Maintenance Parts as of March 2014.

©2014 Yamaha Motor Corporation, U.S.A. All rights reserved.

F9.9MLHV 1997 / LOWER CASING DRIVE 2



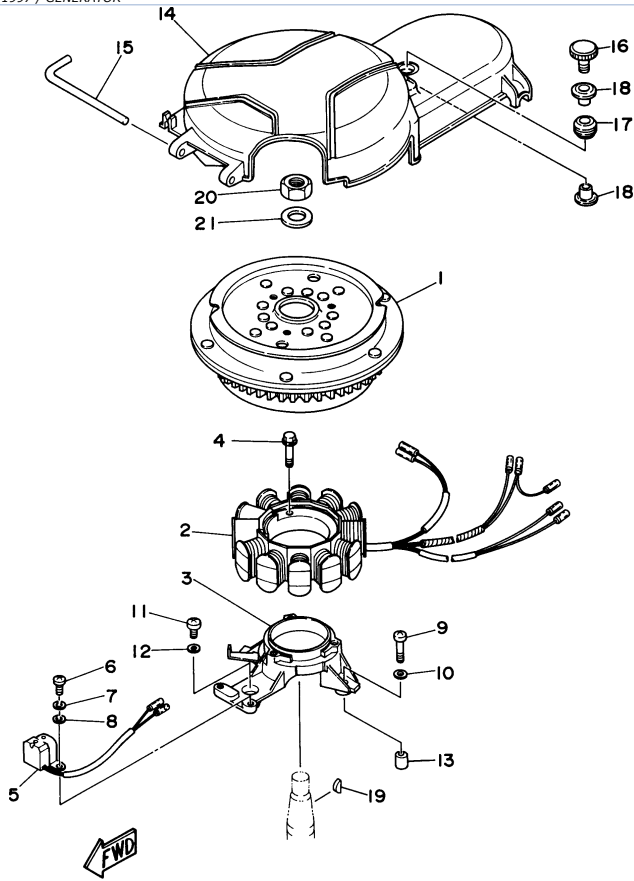
©2014 Yamaha Motor Corporation, U.S.A. All rights reserved.

Part List

F9.9MLHV 1997 / LOWER CASING DRIVE 2

REF - NO	PART NUMBER	PART NAME	QUANTITY	REMARKS
1	93606-12019-00	.PIN, DOWEL	2	
2	97095-08035-00	BOLT	4	
3	92990-08600-00	..WASHER, PLATE	4	
4	6E8-45251-01-00	ANODE	1	
5	95895-06020-00	BOLT, FLANGE	1	
6	92990-06300-00	WASHER, INTERNAL TOOTH	1	
7	6E7-45214-00-00	COVER, WATER INLET 1	1	
8	98580-05012-00	.SCREW, PAN HEAD	1	
9	682-45375-01-00	DAMPER, SEAL	1	
10	6G9-44361-00-00	TUBE, WATER	1	UR SHORT
10	6G8-44361-10-00	TUBE, WATER	1	UR LONG
11	626-44365-01-00	DAMPER, WATER SEAL	1	
12	90171-10M01-00	NUT, CASTLE	1	
13	91490-30020-00	PIN, COTTER	1	UR
13	91490-30030-00	PIN, COTTER	1	UR FOR DUAL THRUST PROP.
14	683-45952-00-EL	PROPELLER (3X9-1/4"X9-3/4"-J)	1	UR
14	683-45941-00-EL	PROPELLER (3X9-1/4"X12"-J)	1	UR
14	683-45949-00-EL	PROPELLER (3X9-1/2"X6-1/2"-J)	1	UR
14	683-45943-00-EL	PROPELLER (3X9-1/4"X10-1/2"-J)	1	UR
14	683-45945-00-EL	PROPELLER (3X9-1/4"X9"-J)	1	UR
14	683-45947-00-EL	PROPELLER (3X9-1/4"X8"-J)	1	UR
15	683-45981-00-00	.DAMPER, PROPELLER	1	UR
16	683-W4592-02-EL	PROPELLER (3X9-3/4"X6-1/2"-J)	1	DUAL THRUST PROP.
16	683-W4591-02-EL	PROPELLER (3X9-3/4"X8"-J)	1	DUAL THRUST PROP.
17	6E7-45986-00-00	.RING, DEFLECTOR	1	UR DUAL THRUST PROP.
18	90171-10M07-00	.NUT, CASTLE	1	UR DUAL THRUST PROP.
19	90201-10M02-00	..WASHER, PLATE	1	UR DUAL THRUST PROP.
20	6G9-45987-00-00	SPACER	1	
21	90201-10M01-00	WASHER, PLATE	1	
22	93450-10M05-00	CIRCLIP	1	

F9.9MLHV 1997 / GENERATOR



©2014 Yamaha Motor Corporation, U.S.A. All rights reserved.



Part List

F9.9MLHV 1997 / GENERATOR

REF - NO	PART NUMBER	PART NAME	QUANTITY	REMARKS
1	6G8-85550-11-00	ROTOR ASSY	1	
2	6G9-85510-01-00	STATOR ASSY	1	
3	6G8-85561-00-94	BASE, MAGNETO	1	
4	95024-06025-00	BOLT, FLANGE (SMALL HEAD)	3	
5	6G8-85580-02-00	COIL, PULSER	1	
6	98580-05012-00	.SCREW, PAN HEAD	2	
7	92990-05100-00	.WASHER, SPRING	2	
8	92990-05600-00	WASHER, PLATE	2	
9	98580-06025-00	SCREW, PAN HEAD	2	
10	92990-06600-00	WASHER, PLATE	2	
11	98580-06020-00	SCREW, PAN HEAD	1	
12	92990-06600-00	WASHER, PLATE	1	
13	99530-08012-00	PIN, DOWEL	2	
14	6G8-81337-01-00	COVER, FLYWHEEL	1	
15	6G8-42752-00-00	SHAFT	1	
16	6G8-81323-00-00	SCREW 1	1	
17	90480-15M31-00	GROMMET	1	
18	90387-06M71-00	COLLAR	2	
19	90280-16053-00	KEY, WOODRUFF	1	
20	90170-12066-00	NUT	1	
21	90201-12472-00	WASHER, PLATE	1	

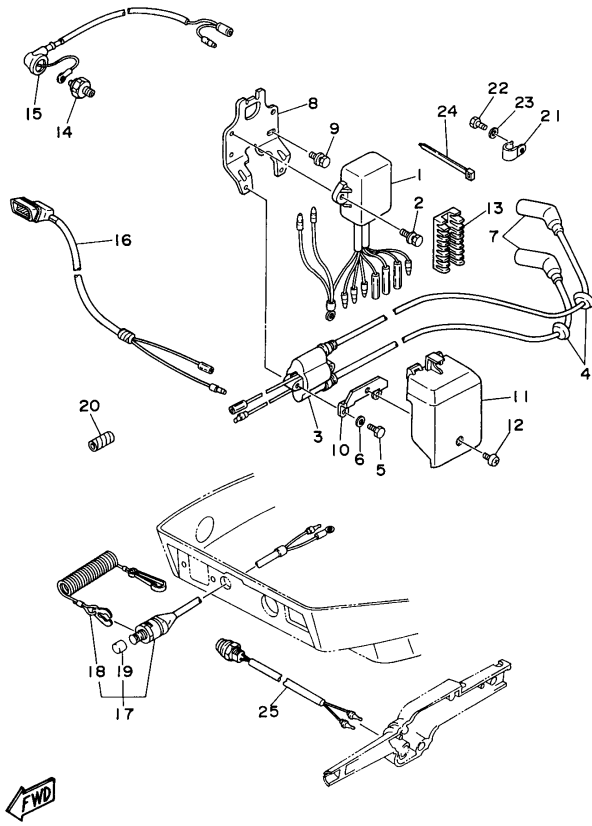
Part Notes

F9.9MLHV 1997 / GENERATOR

PART NUMBER	NOTE TEXT
92990-06600-00 	OEM: This part number is among the Top 100 Most Popular Marine Maintenance Parts as of March 2014.
92990-06600-00 	OEM: This part number is among the Top 100 Most Popular Marine Maintenance Parts as of March 2014.

©2014 Yamaha Motor Corporation, U.S.A. All rights reserved.

F9.9MLHV 1997 / ELECTRICAL 1



©2014 Yamaha Motor Corporation, U.S.A. All rights reserved.




Part List

F9.9MLHV 1997 / ELECTRICAL 1

REF - NO	PART NUMBER	PART NAME	QUANTITY	REMARKS
1	6G9-85540-21-00	C.D.I. UNIT ASSEMBLY	1	
2	97595-06520-00	BOLT, WITH WASHER	2	
3	6G8-85570-21-00	IGNITION COIL ASSY	1	
4	90480-25161-00	GROMMET	2	
5	97095-06025-00	BOLT	2	
6	92990-06600-00	WASHER, PLATE	2	
7	6G8-82370-20-00	PLUG CAP ASSEMBLY	2	
8	6G8-85542-00-00	BRACKET	1	
9	97595-06520-00	BOLT, WITH WASHER	2	
10	6G8-85525-00-00	PLATE	1	
11	6G8-81916-00-00	COVER, TERMINAL	1	
12	98980-06008-00	SCREW, BIND	1	
13	6G8-82522-00-00	CLAMP, COUPLER	1	
14	6G8-82504-00-00	OIL PRESSURE SWITCH ASSY	1	
15	6G8-82127-00-00	WIRE, LEAD 2	1	
16	6G8-83582-01-00	PILOT LIGHT ASSY	1	
17	6G9-82575-02-00	ENGINE STOP SWITCH ASSY	1	
18	682-82556-00-00	.LANYARD, STOP SWITCH	1	
19	689-8257Y-00-00	.CAP	1	
20	90446-10M02-00	HOSE	1	
21	90465-08028-00	CLAMP	1	
22	97013-06012-00	BOLT	1	
23	92990-06600-00	WASHER, PLATE	1	
24	90465-13M11-00	CLAMP	1	
25	6G8-82550-10-00	ENGINE STOP SWITCH ASSY	1	

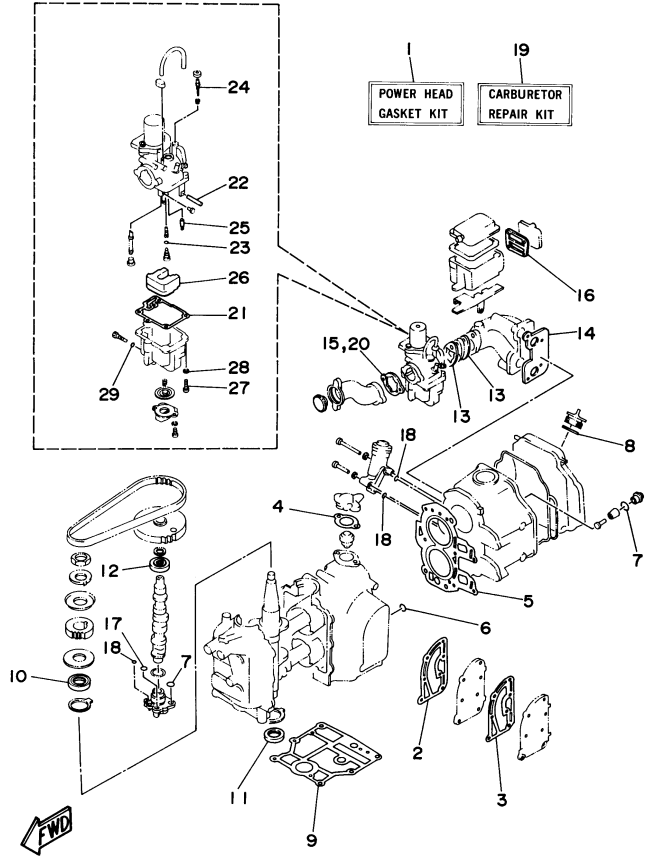
Part Notes

F9.9MLHV 1997 / ELECTRICAL 1

PART NUMBER	NOTE TEXT
92990-06600-00 	OEM: This part number is among the Top 100 Most Popular Marine Maintenance Parts as of March 2014.
682-82556-00-00 	OEM: This part number is among the Top 100 Most Popular Marine Maintenance Parts as of March 2014.
92990-06600-00 	OEM: This part number is among the Top 100 Most Popular Marine Maintenance Parts as of March 2014.

©2014 Yamaha Motor Corporation, U.S.A. All rights reserved.

F9.9MLHV 1997 / REPAIR KIT 1



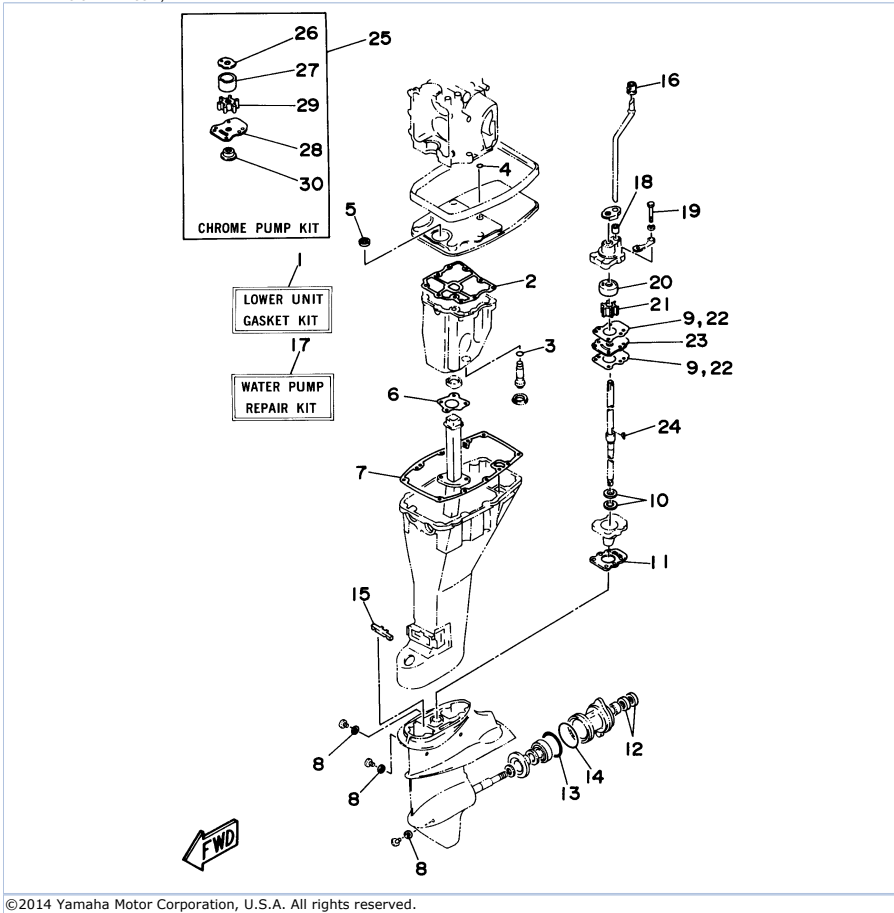
©2014 Yamaha Motor Corporation, U.S.A. All rights reserved.

Part List

F9.9MLHV 1997 / REPAIR KIT 1

REF - NO	PART NUMBER	PART NAME	QUANTITY	REMARKS
1	6G8-W0001-A3-00	POWER HEAD GASKET KIT	1	
2	6G8-41112-02-00	.GASKET, EXHAUST INNER COVER	1	
3	6G8-41114-00-00	.GASKET, EXHAUST OUTER COVER	1	
4	6G8-12414-A0-00	.GASKET, COVER	1	
5	6G8-11181-A1-00	.GASKET, CYLINDER HEAD 1	1	
6	93210-11M59-00	.O-RING	1	
7	93210-13M63-00	.O-RING	3	
8	93210-25070-00	.O-RING	1	
9	6G8-11351-A0-00	.GASKET, CYLINDER	1	
10	93102-30M22-00	.OIL SEAL	1	
11	93101-25M24-00	.OIL SEAL	1	
12	93102-18M21-00	.OIL SEAL	1	
13	6G8-13646-A0-00	.GASKET, MANIFOLD 2	2	
14	6G8-13645-00-00	.GASKET, MANIFOLD 1	1	
15	6G8-14198-A0-00	.GASKET	1	
16	6G8-15374-00-00	.GASKET, BREATHER	1	
17	93210-10M61-00	.O-RING	1	
18	93210-09M01-00	.O-RING	3	
19	6G8-W0093-03-00	CARBURETOR REPAIR KIT	1	
20	6G8-14198-A0-00	.GASKET	1	
21	6G8-14384-01-00	.GASKET, FLOAT CHAMBER	1	
22	647-14386-10-00	.PIN, FLOAT	1	
23	654-14198-00-00	.GASKET	1	
24	6G8-14323-00-00	.SCREW, AIR ADJUSTING	1	
25	6G8-14392-00-00	.VALVE, NEEDLE	1	
26	6G8-14385-00-00	.FLOAT	1	
27	98580-04014-00	.SCREW, PAN HEAD	1	
28	92990-04100-00	.WASHER, SPRING	1	
29	5Y1-14397-00-00	.O-RING	1	

F9.9MLHV 1997 / REPAIR KIT 2



©2014 Yamaha Motor Corporation, U.S.A. All rights reserved.


Part List

F9.9MLHV 1997 / REPAIR KIT 2

REF - NO	PART NUMBER	PART NAME	QUANTITY	REMARKS
1	6G9-W0001-C5-00	LOWER UNIT GASKET KIT	1	
2	6G8-15312-A0-00	.GASKET, OIL PAN	1	
3	93210-16716-00	.O-RING	1	
4	93210-08M60-00	.O-RING	1	
5	93101-13M27-00	.O-RING	1	
6	6G8-41133-A0-00	.GASKET, EXHAUST MANIFOLD 1	1	
7	6G8-45113-A1-00	.GASKET, UPPER CASING	1	
8	90430-08020-00	.GASKET	3	
9	682-44315-A0-00	.GASKET, WATER PUMP	2	
10	93101-20048-00	.OIL SEAL	2	
11	683-45315-A0-00	.PACKING, LOWER CASING	1	
12	93101-17054-00	.OIL SEAL	2	
13	93210-57M09-00	.O-RING	1	
14	93210-56M80-00	.O-RING	1	
15	682-45375-01-00	.DAMPER, SEAL	1	
16	626-44365-01-00	.DAMPER, WATER SEAL	1	
17	682-W0078-A2-00	WATER PUMP REPAIR KIT	1	
18	682-44365-00-00	.DAMPER, WATER SEAL	1	
19	97095-06045-00	.BOLT	4	
20	682-44322-00-00	.INSERT, CARTRIDGE	1	
21	682-44352-01-00	.IMPELLER	1	
22	682-44315-A0-00	.GASKET, WATER PUMP	2	
23	682-44323-00-00	.OUTER PLATE, CARTRIDGE	1	
24	90280-03024-00	.KEY, WOODRUFF	1	
25	682-W0078-0A-00	CHROME PUMP KIT	1	
26	682-44321-40-00	.INNER PLATE, CARTRIDGE	1	
27	682-44322-40-00	.INSERT, CARTRIDGE	1	
28	682-44323-40-00	.OUTER PLATE, CARTRIDGE	1	
29	682-44352-01-00	.IMPELLER	1	
30	682-45344-00-00	.COVER, OIL SEAL	1	

Part Notes

F9.9MLHV 1997 / REPAIR KIT 2

PART NUMBER	NOTE TEXT
90430-08020-00 	OEM: This part number is among the Top 100 Most Popular Marine Maintenance Parts as of March 2014.

©2014 Yamaha Motor Corporation, U.S.A. All rights reserved.

©2014 Yamaha Motor Corporation, U.S.A. All rights reserved.