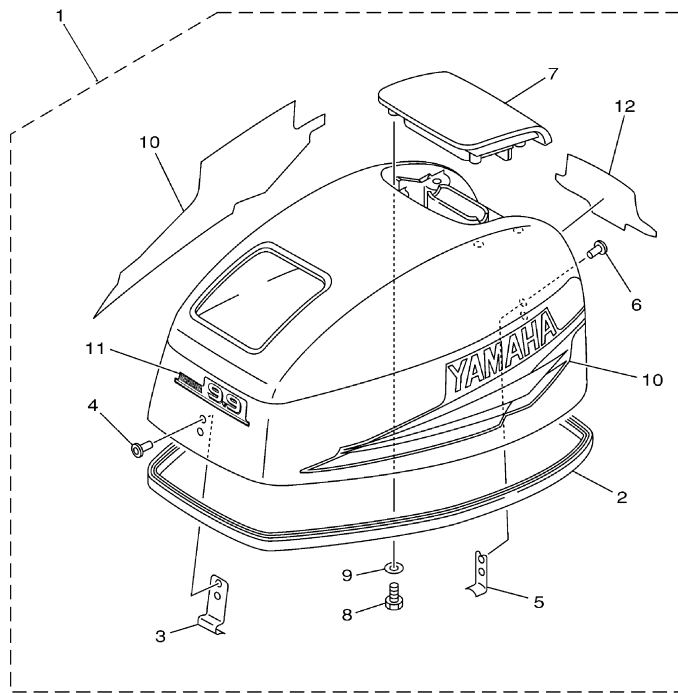


9.9MSHZ 2001 / TOP COWLING



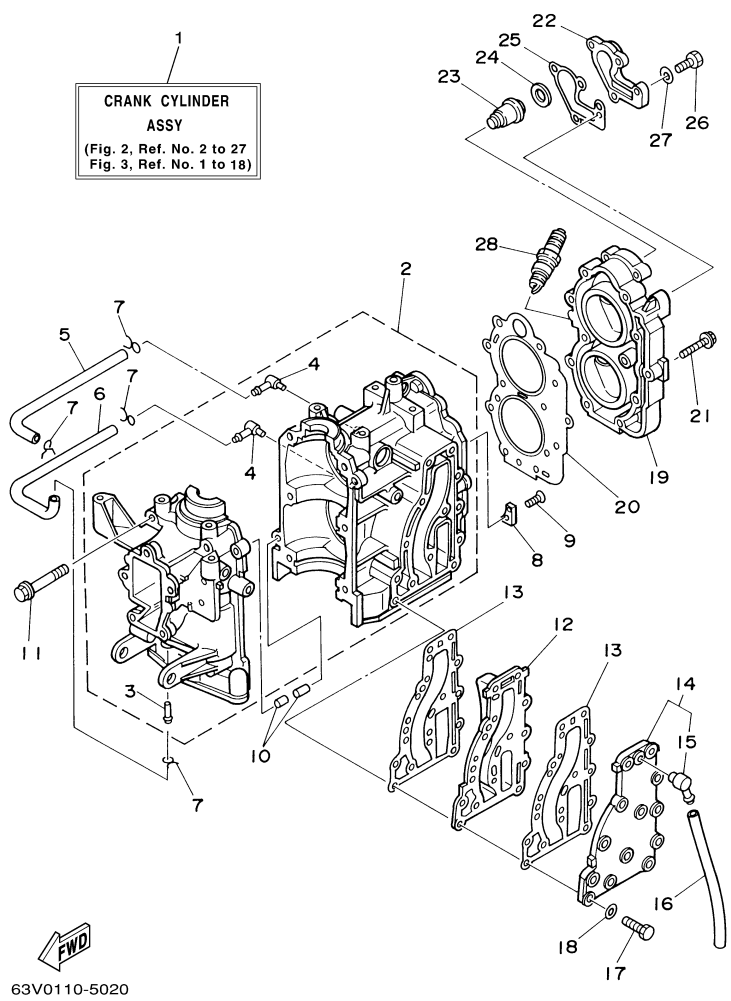
63V0100-1010

Part List

9.9MSHZ 2001 / TOP COWLING

REF - NO	PART NUMBER	PART NAME	QUANTITY	REMARKS
1	63V-42610-12-4D	TOP COWLING ASSY	1	UR 9.9MH (MH)
2	63V-42615-00-00	.SEAL	1	(MH)
3	6G1-42651-02-00	.HOOK	1	(MH)
4	90266-04M04-00	.RIVET	2	(MH)
5	6L2-42647-00-00	.HOLDER, CLAMP BAND	1	(MH)
6	90266-04M04-00	.RIVET	2	(MH)
7	63V-42613-00-4D	.MOLDING, AIR DUCT	1	(MH)
8	97095-06016-00	.BOLT	4	(MH)
9	92995-06600-00	.WASHER	4	(MH)
10	63V-W0070-11-00	.GRAPHIC SET	1	(MH)
11	63V-42677-11-00	.GRAPHIC, FRONT	1	UR 9.9MH (MH)
12	63V-42678-10-00	.GRAPHIC, REAR	1	UR 9.9MH (MH)

9.9MSHZ 2001 / CYLINDER CRANKCASE



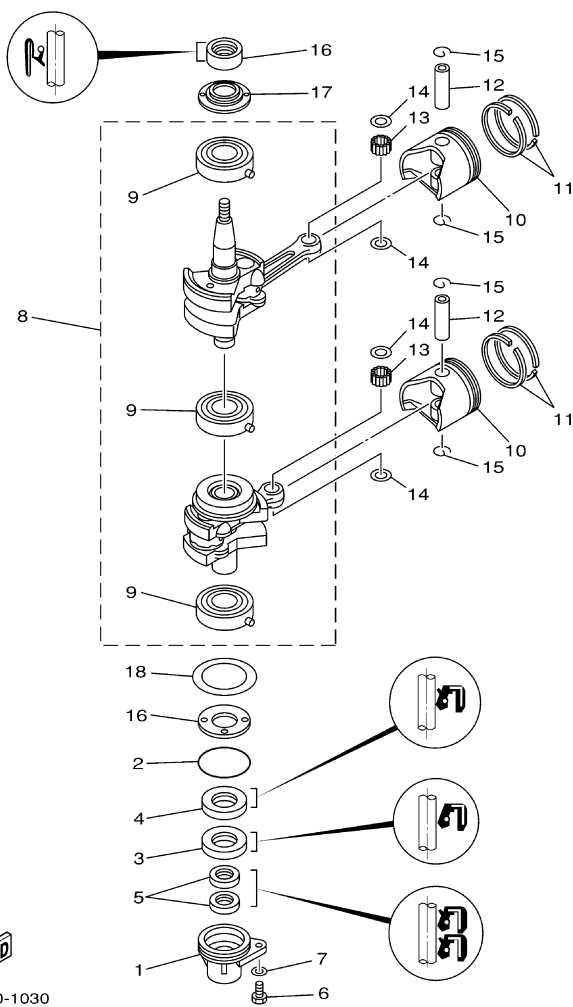
©2014 Yamaha Motor Corporation, U.S.A. All rights reserved.

Part List

9.9MSHZ 2001 / CYLINDER CRANKCASE

REF - NO	PART NUMBER	PART NAME	QUANTITY	REMARKS
1	63V-W0090-03-1S	CRANK CYLINDER ASSY	1	(MH)
2	63V-15100-02-1S	CRANKCASE ASSY	1	(MH)
3	624-14485-00-00	.PIPE, JOINT	1	(MH)
4	650-14485-02-00	.PIPE, JOINT	2	(MH)
5	90445-07M08-00	HOSE (L220)	1	(MH)
6	90445-07M08-00	HOSE (L220)	1	(MH)
7	90467-06016-00	CLIP	4	(MH)
8	682-11325-00-00	ANODE	1	(MH)
9	98780-05015-00	SCREW, FLAT HEAD	1	(MH)
10	93606-12019-00	.PIN, DOWEL	2	(MH)
11	90119-08M07-00	BOLT, WITH WASHER	6	(MH)
12	63V-41111-00-1S	INNER COVER, EXHAUST	1	(MH)
13	63V-41112-A0-00	.GASKET, EXHAUST INNER COVER	2	(MH)
14	63V-41113-00-1S	OUTER COVER, EXHAUST	1	(MH)
15	676-11372-00-00	.NIPPLE, HOSE	1	(MH)
16	90445-09105-00	HOSE (L300)	1	(MH)
17	97013-06030-00	BOLT	13	(MH)
18	92903-06600-00	WASHER, PLATE	13	(MH)
19	6E7-11111-01-1S	HEAD, CYLINDER 1	1	(MH)
20	63V-11181-A1-00	.GASKET, CYLINDER HEAD 1	1	(MH)
21	90105-07M05-00	BOLT, FLANGE	11	(MH)
22	682-12413-00-1S	COVER, THERMOSTAT	1	(MH)
23	6E5-12411-20-00	THERMOSTAT	1	(MH)
24	90201-16M03-00	WASHER, PLATE	1	(MH)
25	682-12414-A1-00	.GASKET, COVER	1	(MH)
26	97013-06020-00	BOLT	4	(MH)
27	92903-06600-00	WASHER, PLATE	4	(MH)
28	NGK-B7HS1-00-00	PLUG, SPARK (NGK B7HS- 10)	2	(MH)

9.9MSHZ 2001 / CRANKSHAFT PISTON



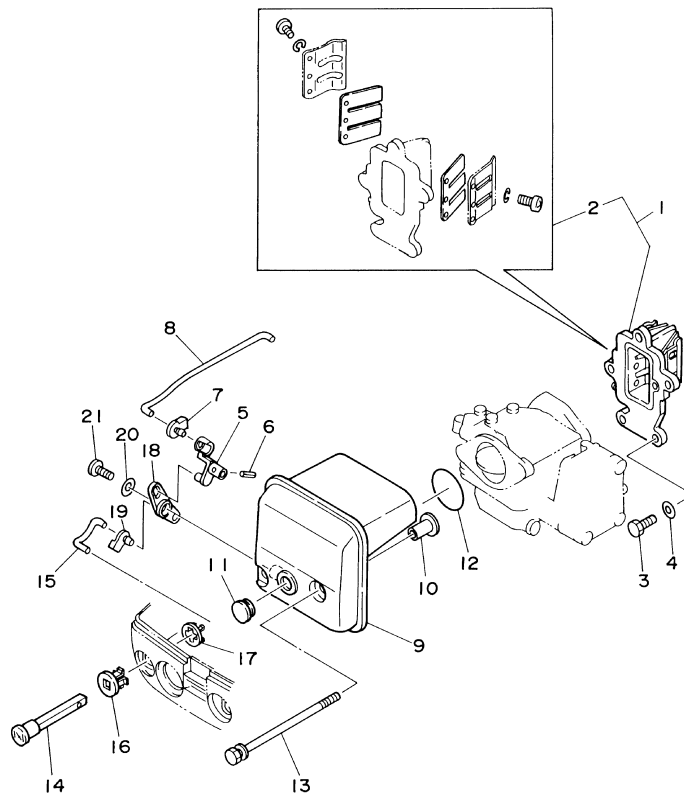
63V0110-1030

Part List

9.9MSHZ 2001 / CRANKSHAFT PISTON

REF - NO	PART NUMBER	PART NAME	QUANTITY	REMARKS
1	63V-15396-01-94	HOUSING, OIL SEAL	1	(MH)
2	93210-46M16-00	.O-RING	1	(MH)
3	93101-25018-00	.OIL SEAL	1	(MH)
4	93102-25M48-00	.OIL SEAL	1	(MH)
5	93101-13018-00	.OIL SEAL	2	(MH)
6	97095-06016-00	BOLT	1	(MH)
7	92995-06600-00	WASHER	1	(MH)
8	63V-11400-01-00	CRANKSHAFT ASSY	1	(MH)
9	93306-205U7-00	.BEARING	3	(MH)
10	6E7-11631-00-97	PISTON (STD)	2	(MH)
10	6E7-11635-00-00	PISTON (0.25MM O/S)	2	AP (MH)
10	6E7-11636-00-00	PISTON (0.50MM O/S)	2	AP (MH)
11	682-11610-01-00	PISTON RING SET (STD)	2	(MH)
11	682-11610-11-00	PISTON RING SET (0.25MM O/S)	2	AP (MH)
11	682-11610-21-00	PISTON RING SET (0.50MM O/S)	2	AP (MH)
12	634-11633-00-00	PIN, PISTON	2	(MH)
13	93602-14104-00	PIN, DOWEL	50	(MH)
14	90201-14377-00	WASHER, PLATE	4	(MH)
15	93450-15023-00	CIRCLIP	4	(MH)
16	93110-23M00-00	.OIL SEAL	1	(MH)
17	63V-11445-00-00	.SPACER	2	(MH)
18	90201-46M29-00	.WASHER, PLATE	1	(MH)

9.9MSHZ 2001 / INTAKE



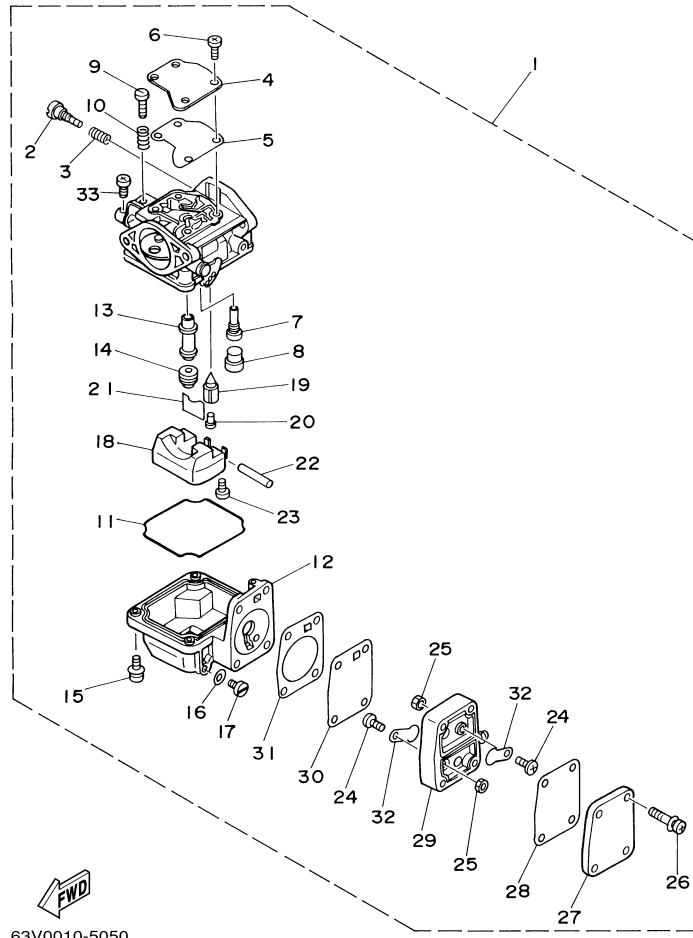
63V0010-5040

Part List

9.9MSHZ 2001 / INTAKE

REF - NO	PART NUMBER	PART NAME	QUANTITY	REMARKS
1	63V-13610-00-00	REED VALVE ASSY	1	UR 9.9MH (MH)
2	682-W0004-00-00	.REED SET	1	(MH)
3	97095-06020-00	BOLT	3	(MH)
4	92995-06600-00	WASHER	3	(MH)
5	63V-41253-00-00	LEVER, CHOKE	1	(MH)
6	91690-20010-00	PIN, SPRING	1	(MH)
7	63V-41262-00-00	JOINT, CHOKE LEVER	1	(MH)
8	63V-41257-00-00	ROD, CHOKE 2	1	(MH)
9	63V-14440-00-00	SILENCER ASSY, INTAKE	1	(MH)
10	90387-06M15-00	COLLAR	2	(MH)
11	90480-12M25-00	GROMMET	1	(MH)
12	93210-35M86-00	.O-RING	1	(MH)
13	90119-06M94-00	BOLT, WITH WASHER	2	(MH)
14	6H4-41271-01-00	KNOB, CHOKE	1	(MH)
15	63V-41256-00-00	ROD, CHOKE 1	1	(MH)
16	689-41273-00-00	GROMMET	1	(MH)
17	6J8-41274-00-00	GROMMET 2	1	(MH)
18	63V-41252-00-00	LEVER, CHOKE 1	1	(MH)
19	661-41262-02-00	JOINT, CHOKE LEVER	1	(MH)
20	90201-05M09-00	WASHER, PLATE	1	(MH)
21	90164-05M03-00	SCREW, TAPPING	1	(MH)

9.9MSHZ 2001 / CARBURETOR



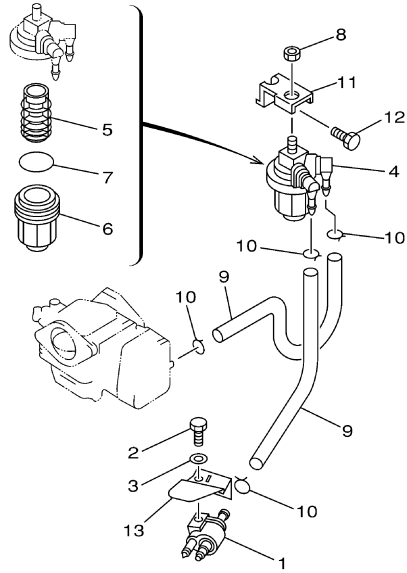
©2014 Yamaha Motor Corporation, U.S.A. All rights reserved.

Part List

9.9MSHZ 2001 / CARBURETOR

REF - NO	PART NUMBER	PART NAME	QUANTITY	REMARKS
1	63V-14301-00-00	CARBURETOR ASSY 1	1	(MH)
2	679-14923-00-00	.SCREW, PILOT	1	(MH)
3	679-14555-00-00	.SPRING	1	(MH)
4	63V-14527-00-00	.PLATE	1	(MH)
5	63V-14126-00-00	.GASKET	1	(MH)
6	97803-04010-00	.SCREW, PAN HEAD	4	(MH)
7	63V-14948-06-00	.JET (#48)	1	(MH)
8	679-14966-00-00	.RUBBER CAP	1	(MH)
9	63V-14523-00-00	.SCREW, STOP	1	(MH)
10	90501-10326-00	.SPRING, COMPRESSION	1	(MH)
11	63V-14984-00-00	.GASKET, FLOAT CHAMBER	1	(MH)
12	63V-14980-00-00	.BODY, FLOAT CHAMBER	1	(MH)
13	63V-14947-00-00	.JET, NEEDLE	1	(MH)
14	676-14943-29-00	.JET, MAIN (#110)	1	(MH)
15	97980-04114-00	.SCREW, WITH WASHER	4	(MH)
16	6G1-14398-00-00	.WASHER	1	(MH)
17	6G1-14992-00-00	.SCREW, DRAIN	1	(MH)
18	63V-14985-00-00	.FLOAT	1	(MH)
19	6G1-14546-00-00	.VALVE, NEEDLE	1	(MH)
20	676-14186-00-00	.PIN, FLOAT	1	(MH)
21	663-14159-00-00	.CLIP	1	(MH)
22	6H4-14548-00-00	.PIN, FLOAT ARM	1	(MH)
23	98580-04008-00	.SCREW, PAN HEAD	1	(MH)
24	98980-03006-00	.SCREW, BIND	2	(MH)
25	95380-03600-00	.NUT	2	(MH)
26	97980-04125-00	.SCREW, WITH WASHER	4	(MH)
27	6G1-24452-00-00	.COVER	1	(MH)
28	63V-24411-00-00	.DIAPHRAGM	1	(MH)
29	6G1-24412-01-00	.BODY 1	1	(MH)
30	6G1-24411-00-00	.DIAPHRAGM	1	(MH)
31	6G1-24431-01-00	.GASKET, FUEL PUMP 1	1	(MH)
32	6L5-24421-00-00	.VALVE, CHECK	2	(MH)
33	98580-04006-00	.SCREW, PAN HEAD	1	(MH)

9.9MSHZ 2001 / FUEL



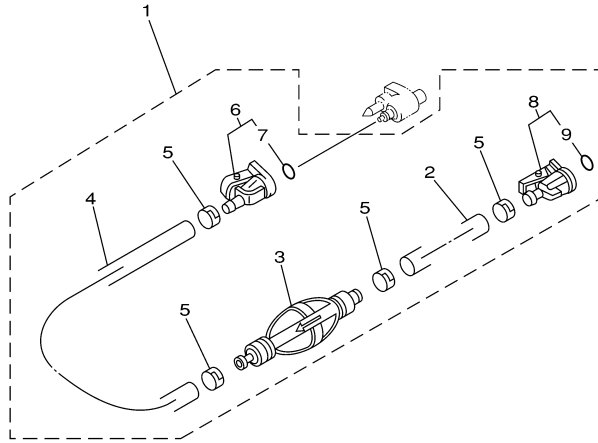
63V0010-1060

Part List

9.9MSHZ 2001 / FUEL

REF - NO	PART NUMBER	PART NAME	QUANTITY	REMARKS
1	6G1-24304-02-00	FUEL PIPE JOINT COMP. 1	1	(MH)
2	97095-06020-00	BOLT	1	(MH)
3	92995-06600-00	WASHER	1	(MH)
4	61N-24560-00-00	FILTER ASSY	1	(MH)
5	61N-24563-00-00	.ELEMENT, FILTER	1	(MH)
6	61N-24521-00-00	.CUP, FILTER	1	(MH)
7	93210-32738-00	.O-RING	1	(MH)
8	95380-08600-00	NUT	1	(MH)
9	90445-09M00-00	HOSE (L180)	2	(MH)
10	90467-08004-00	CLIP	4	(MH)
11	682-24566-01-00	BRACKET, FILTER	1	(MH)
12	97013-06010-00	BOLT	1	(MH)
13	63V-24396-01-00	PLATE	1	(MH)

9.9MSHZ 2001 / FUEL 2



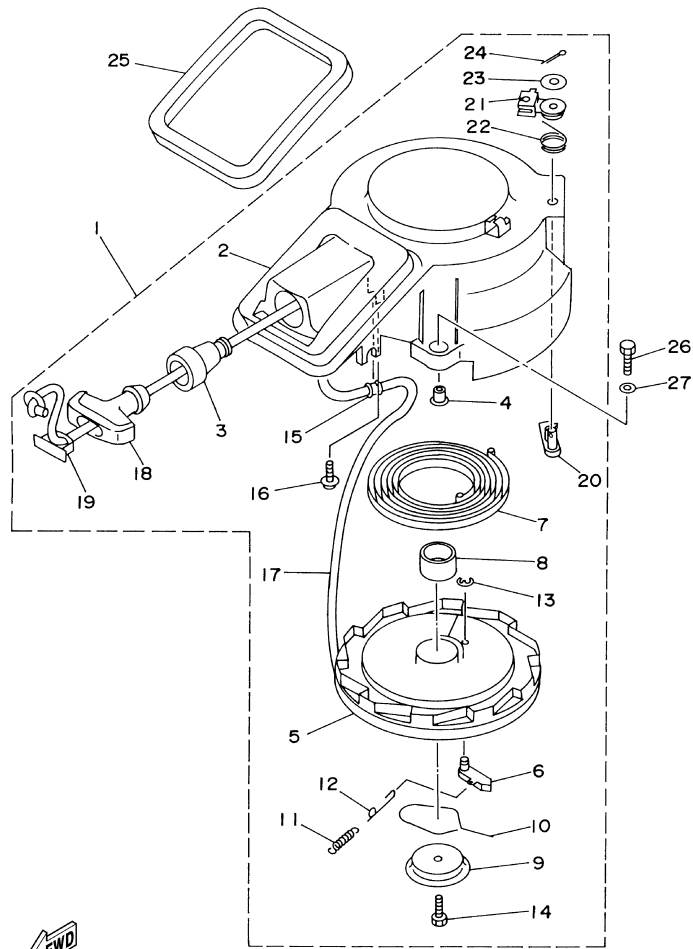
67C0100-0100

Part List

9.9MSHZ 2001 / FUEL 2

REF - NO	PART NUMBER	PART NAME	QUANTITY	REMARKS
1	6Y1-24306-53-00	FUEL PIPE COMP. 1	1	AP (MH)
2	90445-11M06-00	.HOSE (L2050)	1	(MH)
3	6Y1-24360-52-00	.PRIMER PUMP ASSY	1	(MH)
4	90445-11M05-00	.HOSE (L850)	1	(MH)
5	650-24351-51-00	.BAND 1	4	(MH)
6	6G1-24305-03-00	.FUEL PIPE JOINT COMP 2	1	(MH)
7	93210-08287-00	..O-RING	1	(MH)
8	6Y1-24305-04-00	.FUEL PIPE JOINT COMP 2	1	(MH)
9	93210-08287-00	..O-RING	1	(MH)

9.9MSHZ 2001 / STARTER



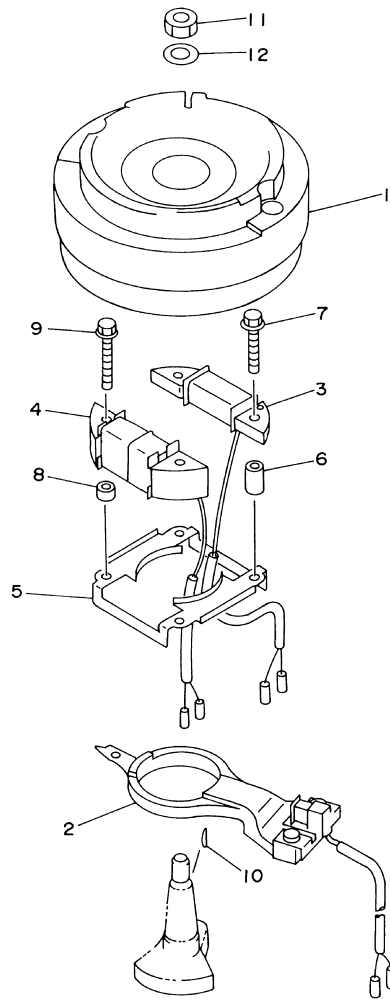
63V0010-5070

Part List

9.9MSHZ 2001 / STARTER

REF - NO	PART NUMBER	PART NAME	QUANTITY	REMARKS
1	63V-15710-12-00	STARTER ASSY	1	WITH SAFETY DEVICE (MH)
2	63V-15711-01-00	.CASE, STARTER	1	(MH)
3	63V-15795-01-00	.GUIDE, ROPE	1	(MH)
4	90387-06M05-00	.COLLAR	3	(MH)
5	63V-15714-00-00	.DRUM, SHEAVE	1	(MH)
6	63V-15741-00-00	.PAWL, DRIVE	1	(MH)
7	63V-15713-00-00	.SPRING, STARTER	1	(MH)
8	63V-15753-00-00	.BUSH	1	(MH)
9	63V-15716-00-00	.PLATE, DRIVE	1	(MH)
10	63V-15705-01-00	.SPRING, DRIVE PAWL	1	(MH)
11	63V-15767-01-00	.SPRING	1	(MH)
12	63V-15784-01-00	.SPRING, RETURN	1	(MH)
13	63V-15744-00-00	.CIRCLIP	1	(MH)
14	63V-15768-00-00	.BOLT	1	(MH)
15	63V-15764-00-00	.COLLAR 1	1	(MH)
16	63V-15793-00-00	.SCREW	1	(MH)
17	90580-50M01-00	.ROPE, STARTER	1	(MH)
18	6G1-15755-00-00	.HANDLE, STARTER	1	(MH)
19	6G1-15779-00-00	.COVER	1	(MH)
20	63V-15794-00-00	.STOPPER	1	(MH)
21	63V-15748-00-00	.PLUNGER, STARTER STOP	1	(MH)
22	63V-15734-00-00	.SPRING, RETURN	1	(MH)
23	63V-15726-00-00	.WASHER, FLAT	1	(MH)
24	91490-16018-00	.PIN COTTER	1	(MH)
25	63V-15762-00-00	SEAL, RUBBER 2	1	(MH)
26	97095-06020-00	BOLT	3	(MH)
27	92995-06600-00	WASHER	3	(MH)

9.9MSHZ 2001 / GENERATOR



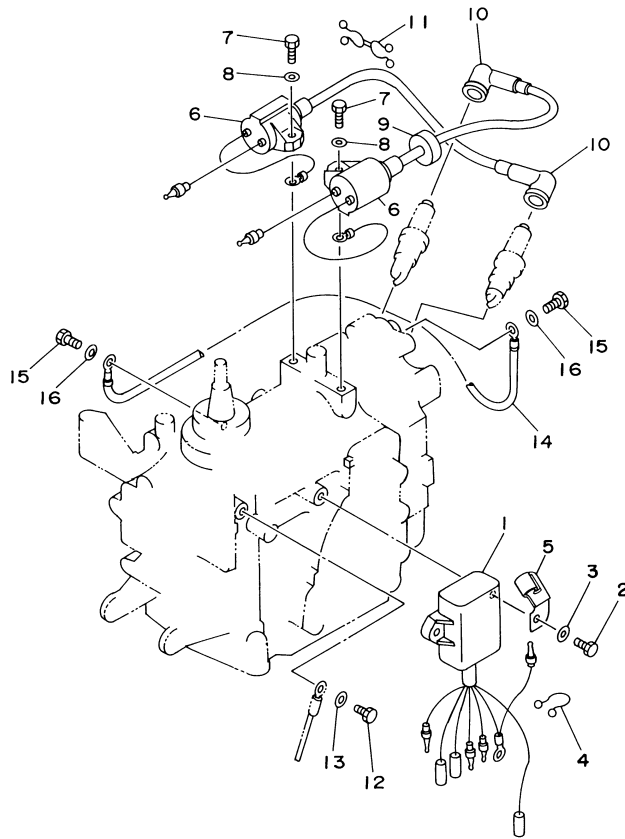
63V0010-5080

Part List

9.9MSHZ 2001 / GENERATOR

REF - NO	PART NUMBER	PART NAME	QUANTITY	REMARKS
1	63V-85550-10-00	ROTOR ASSY	1	(MH)
2	63V-85580-00-00	COIL, PULSER	1	(MH)
3	63V-85520-00-00	COIL, CHARGE	1	(MH)
4	63V-85533-00-00	COIL, LIGHTING	1	(MH)
5	63V-41611-00-00	RETAINER, MAGNETO BASE	1	(MH)
6	90387-06M53-00	COLLAR	2	(MH)
7	90105-06M68-00	BOLT, FLANGE	2	(MH)
8	90387-06M24-00	COLLAR	2	(MH)
9	90105-06M69-00	BOLT, FLANGE	2	(MH)
10	90280-05013-00	KEY, WOODRUFF	1	(MH)
11	90170-12066-00	NUT	1	(MH)
12	90201-12472-00	WASHER, PLATE	1	(MH)

9.9MSHZ 2001 / ELECTRICAL 1



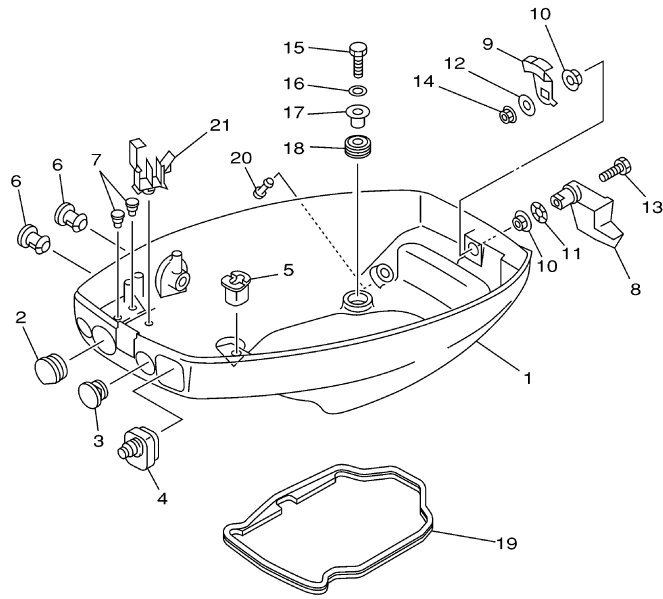
63V0010-5090

Part List

9.9MSHZ 2001 / ELECTRICAL 1

REF - NO	PART NUMBER	PART NAME	QUANTITY	REMARKS
1	63V-85540-01-00	C.D.I. UNIT ASSY	1	(MH)
2	97095-06020-00	BOLT	2	(MH)
3	92995-06600-00	WASHER	2	(MH)
4	90464-15M11-00	CLAMP	1	(MH)
5	90465-08M61-00	CLAMP	1	(MH)
6	63V-85570-00-00	IGNITION COIL ASSY	2	(MH)
7	97095-06018-00	.BOLT	2	(MH)
8	92995-06600-00	WASHER	2	(MH)
9	90480-25161-00	GROMMET	1	(MH)
10	663-82370-01-00	PLUG CAP ASSY	2	(MH)
11	90464-08M02-00	CLAMP	1	(MH)
12	97095-06012-00	BOLT	1	(MH)
13	92995-06600-00	WASHER	1	(MH)
14	662-82519-00-00	WIRE, EARTH LEAD	1	(MH)
15	97095-06012-00	BOLT	2	(MH)
16	92995-06600-00	WASHER	2	(MH)

9.9MSHZ 2001 / BOTTOM COWLING



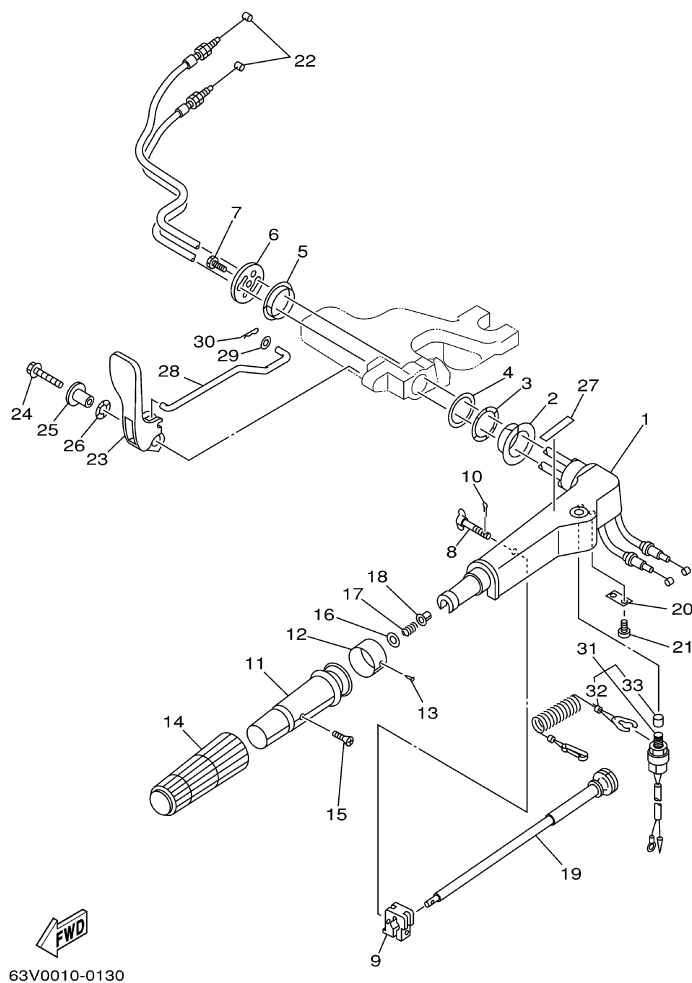
63V0100-1110

Part List

9.9MSHZ 2001 / BOTTOM COWLING

REF - NO	PART NUMBER	PART NAME	QUANTITY	REMARKS
1	63V-42711-03-4D	COWLING, BOTTOM 1	1	(MH)
2	682-42724-00-00	GROMMET	1	(MH)
3	682-42725-02-00	GROMMET	1	(MH)
4	63V-42726-00-00	GROMMET	1	(MH)
5	682-42727-00-00	GROMMET	1	(MH)
6	6G1-42748-00-00	GROMMET	2	(MH)
7	90480-06M19-00	GROMMET	2	(MH)
8	63V-42815-01-4D	LEVER, CLAMP	1	(MH)
9	6E7-42816-00-00	LEVER, CLAMP	1	(MH)
10	90386-12M45-00	BUSH	2	(MH)
11	90206-12052-00	WASHER, WAVE	1	(MH)
12	90201-06068-00	WASHER, PLATE	1	(MH)
13	97095-06025-00	BOLT	1	(MH)
14	95380-06700-00	NUT	1	(MH)
15	97095-06025-00	BOLT	4	(MH)
16	92995-06600-00	WASHER	4	(MH)
17	90387-06M52-00	COLLAR	4	(MH)
18	90480-15M31-00	GROMMET	4	(MH)
19	63V-42716-02-00	RUBBER, SEAL 1	1	(MH)
20	6H3-44391-01-00	NIPPLE, HOSE	1	(MH)
21	90465-25M57-00	CLAMP	1	(MH)

9.9MSHZ 2001 / STEERING



©2014 Yamaha Motor Corporation, U.S.A. All rights reserved.



Part List

9.9MSHZ 2001 / STEERING

REF - NO	PART NUMBER	PART NAME	QUANTITY	REMARKS
1	63V-42111-00-4D	HANDLE, STEERING	1	(MH)
2	90386-34M97-00	BUSH	1	(MH)
3	90206-36M21-00	WASHER, WAVE	1	(MH)
4	90202-36M55-00	WASHER, PLATE	1	(MH)
5	90386-33M96-00	BUSH	1	(MH)
6	6G1-42131-01-00	COVER, HANDLE STEERING	1	(MH)
7	97095-06020-00	BOLT	1	(MH)
8	6G1-42125-01-00	BOLT, FRICTION ADJUSTING	1	(MH)
9	6G1-42126-00-00	FRICTION, STEERING HANDLE GRIP	1	(MH)
10	91490-16010-00	PIN. COTTER	1	(MH)
11	664-42119-00-00	GRIP, STEERING HANDLE	1	(MH)
12	6H2-42137-00-00	INDICATOR, THROTTLE	1	(MH)
13	90269-02M09-00	RIVET	1	(MH)
14	6G1-42177-00-00	RUBBER, HANDLE	1	(MH)
15	90149-05M13-00	SCREW	1	(MH)
16	92903-10600-00	WASHER, PLATE	1	(MH)
17	90501-23215-00	SPRING, COMPRESSION	1	(MH)
18	90386-08032-00	BUSH	1	(MH)
19	6G1-42138-01-00	LEVER, THROTTLE	1	(MH)
20	6E0-42159-02-00	STAY	1	(MH)
21	97885-05012-00	SCREW, PAN HEAD	2	(MH)
22	6L2-26301-00-00	THROTTLE CABLE ASSY	2	(MH)
23	63V-44111-02-00	HANDLE, GEAR SHIFT	1	(MH)
24	90119-06M05-00	BOLT, WITH WASHER	1	(MH)
25	90387-06M86-00	.COLLAR	1	(MH)
26	90206-15M18-00	WASHER, WAVE	1	(MH)
27	6E0-44191-11-00	INDICATOR, SHIFT	1	(MH)
28	63V-44124-02-00	LINK, SHIFT ROD	1	(MH)
29	90202-06009-00	WASHER, PLATE	1	(MH)
30	90468-18008-00	CLIP	1	(MH)
31	65W-82575-00-00	ENGINE STOP SWITCH ASSY	1	(MH)
32	682-82556-00-00	.LANYARD, STOP SWITCH	1	(MH)
33	689-8257Y-00-00	.CAP	1	(MH)

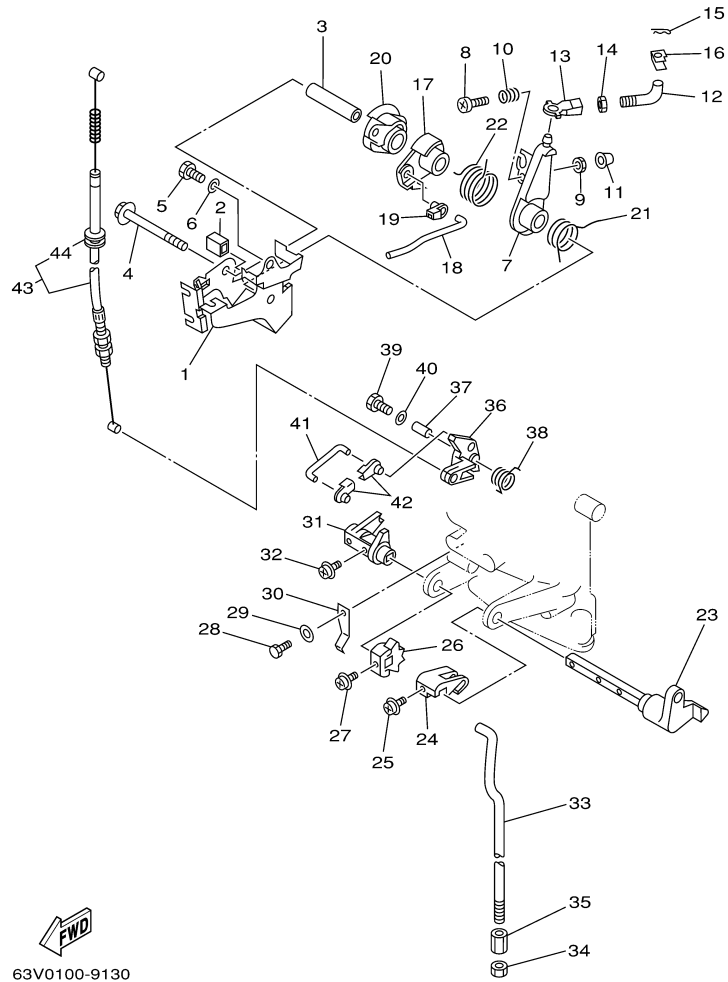
Part Notes

9.9MSHZ 2001 / STEERING

PART NUMBER	NOTE TEXT
90468-18008-00 	OEM: This part number is among the Top 100 Most Popular Marine Maintenance Parts as of March 2014.
682-82556-00-00 	OEM: This part number is among the Top 100 Most Popular Marine Maintenance Parts as of March 2014.

©2014 Yamaha Motor Corporation, U.S.A. All rights reserved.

9.9MSHZ 2001 / CONTROL



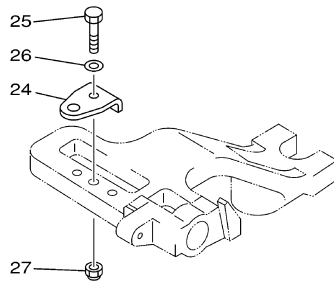
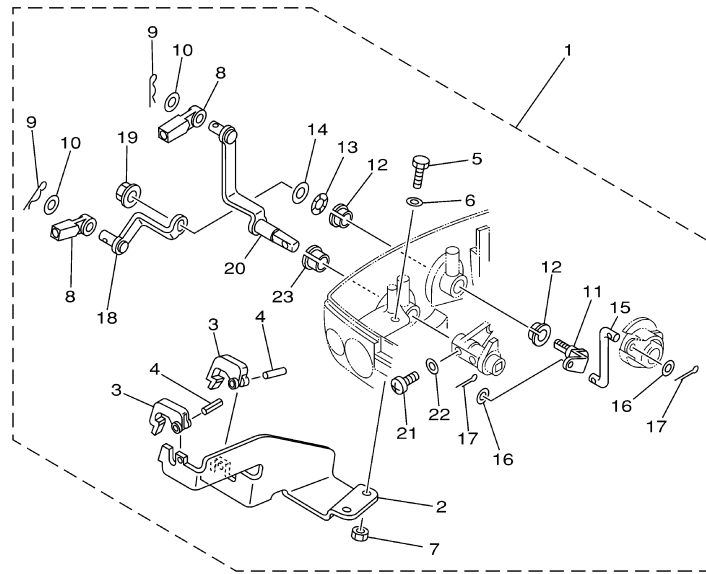

63V0100-9130

Part List

9.9MSHZ 2001 / CONTROL

REF - NO	PART NUMBER	PART NAME	QUANTITY	REMARKS
1	63V-14497-01-00	STAY, THROTTLE WIRE	1	(MH)
2	689-44194-00-00	CAP	1	(MH)
3	90387-06M50-00	COLLAR	1	(MH)
4	95895-06065-00	BOLT, FLANGE	1	(MH)
5	97095-06012-00	BOLT	1	(MH)
6	92995-06600-00	WASHER	1	(MH)
7	63V-41631-00-00	LEVER, MAGNETO CONTROL	1	(MH)
8	97885-06030-00	SCREW, PAN HEAD	1	(MH)
9	95380-06600-00	NUT, HEXAGON	1	(MH)
10	90501-12M16-00	SPRING, COMPRESSION	1	(MH)
11	688-44194-00-00	CAP	1	(MH)
12	63V-41238-00-00	JOINT, LINK	1	(MH)
13	6H4-41237-00-00	JOINT, LINK	1	(MH)
14	95380-05700-00	NUT	1	(MH)
15	90468-10005-00	CLIP	1	(MH)
16	63V-41223-00-00	WASHER, LOCK 1	1	(MH)
17	63V-41283-01-00	LEVER, FREE ACCEL.	1	(MH)
18	63V-41211-00-00	LINK, ACCEL.	1	(MH)
19	661-41262-02-00	JOINT, CHOKE LEVER	1	(MH)
20	63V-41638-00-00	PULLEY	1	(MH)
21	90508-16M37-00	SPRING, TORSION	1	(MH)
22	90508-20M38-00	SPRING, TORSION	1	(MH)
23	63V-44123-01-00	ARM, SHIFT ROD	1	(MH)
24	63V-44121-01-00	LEVER, SHIFT ROD	1	(MH)
25	90159-05M25-00	.SCREW, WITH WASHER	1	(MH)
26	63V-44125-00-00	LEVER, SHIFT ROD	1	(MH)
27	90159-05M25-00	.SCREW, WITH WASHER	1	(MH)
28	97095-06012-00	BOLT	1	(MH)
29	92995-06600-00	WASHER	1	(MH)
30	63V-44116-00-00	SPRING	1	(MH)
31	63V-44122-01-00	BUSHING, SHIFT ROD LEVER	1	(MH)
32	90159-05M25-00	.SCREW, WITH WASHER	1	(MH)
33	63V-44143-01-00	ROD, SHIFT	1	(MH)
34	95380-06700-00	NUT	1	(MH)
35	90170-06015-00	NUT	1	(MH)
36	63V-15746-00-00	ARM	1	(MH)
37	90387-06M06-00	COLLAR	1	(MH)
38	90508-08M39-00	SPRING, TORSION	1	(MH)
39	97095-06020-00	BOLT	1	(MH)
40	92995-06600-00	WASHER	1	(MH)
41	6L2-15747-00-00	LINK	1	(MH)
42	661-41262-02-00	JOINT, CHOKE LEVER	2	(MH)
43	63V-15770-00-00	CABLE COMP., STARTER STOP	1	(MH)
44	90480-10M16-00	.GROMMET	1	(MH)

9.9MSHZ 2001 / REMO CON ATTACHMENT



63V0100-0140



Part List

9.9MSHZ 2001 / REMO CON ATTACHMENT

REF - NO	PART NUMBER	PART NAME	QUANTITY	REMARKS
1	63V-48501-00-00	REMOTE CONT. ATTACHMENT ASSY.	1	AP (MH)
2	63V-48531-00-00	.BRACKET, REMOTE CONTROL 1	1	(MH)
3	682-48538-50-00	.CLAMP, CABLE 1	2	(MH)
4	91590-30012-00	.PIN, CLEVIS	2	(MH)
5	97095-06016-00	.BOLT	2	(MH)
6	92990-06600-00	.WASHER, PLATE	2	(MH)
7	95380-06600-00	.NUT, HEXAGON	2	(MH)
8	663-48344-00-00	.CABLE END, REMOTE CONTROL	2	(MH)
9	90468-18008-00	.CLIP	2	(MH)
10	90201-08M12-00	.WASHER, PLATE	2	(MH)
11	63V-42154-00-00	.LEVER, THROTTLE CONTROL	1	(MH)
12	90386-10025-00	.BUSH	2	(MH)
13	90206-10M04-00	.WASHER, WAVE	1	(MH)
14	90201-10M02-00	.WASHER, PLATE	1	(MH)
15	63V-42192-00-00	.ROD 2	1	(MH)
16	90201-04M06-00	.WASHER, PLATE	2	(MH)
17	91490-20010-00	.PIN COTTER	2	(MH)
18	63V-48534-00-00	.THROTTLE LEVER, CONTROL	1	(MH)
19	95780-08300-00	.NUT, FLANGE	1	(MH)
20	63V-48544-00-00	.LEVER, SHIFTCONTROL	1	(MH)
21	97885-05012-00	.SCREW, PAN HEAD	1	(MH)
22	92990-05600-00	.WASHER, PLATE	1	(MH)
23	90386-10009-00	.BUSH	1	(MH)
24	63V-48511-01-00	HOOK, STEERING	1	AP (MH)
25	97075-08035-00	BOLT	1	AP (MH)
26	92995-08600-00	WASHER	1	AP (MH)
27	90185-08057-00	NUT, SELF-LOCKING	1	AP (MH)

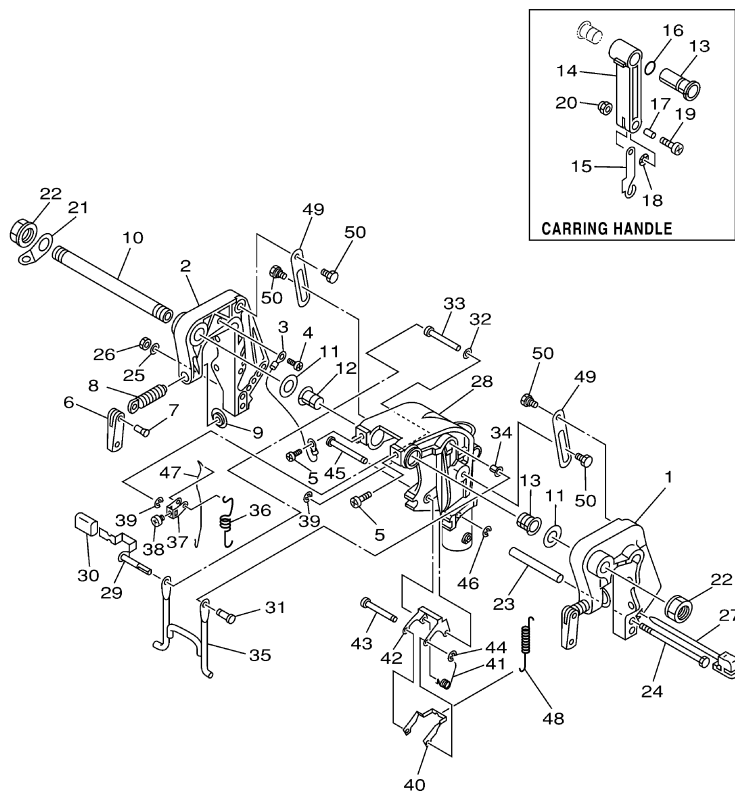
Part Notes

9.9MSHZ 2001 / REMO CON ATTACHMENT

PART NUMBER	NOTE TEXT
92990-06600-00 	OEM: This part number is among the Top 100 Most Popular Marine Maintenance Parts as of March 2014.
90468-18008-00 	OEM: This part number is among the Top 100 Most Popular Marine Maintenance Parts as of March 2014.

©2014 Yamaha Motor Corporation, U.S.A. All rights reserved.

9.9MSHZ 2001 / BRACKET 1



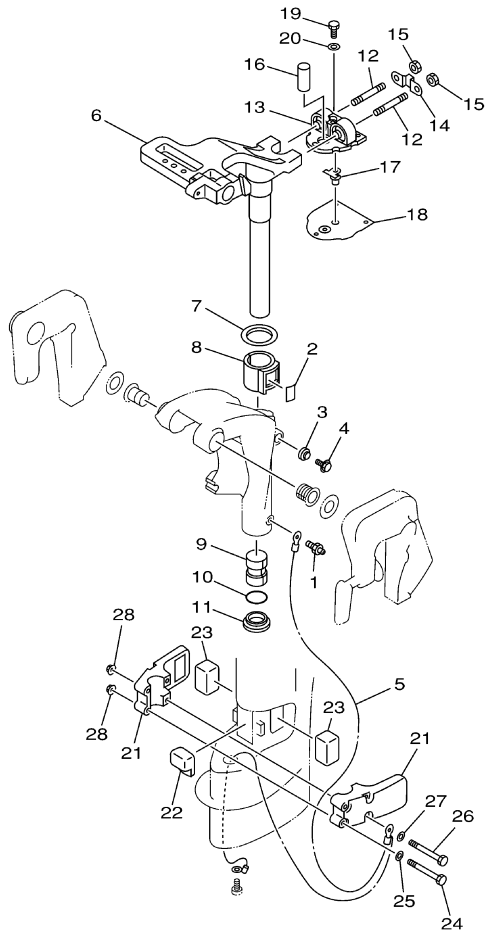

63V0100-1150

Part List

9.9MSHZ 2001 / BRACKET 1

REF - NO	PART NUMBER	PART NAME	QUANTITY	REMARKS
1	63V-43111-05-4D	BRACKET, CLAMP	1	(MH)
2	63V-43112-06-4D	BRACKET, CLAMP	1	(MH)
3	66M-82148-00-00	WIRE, LEAD 4	1	(MH)
4	97885-06008-00	SCREW, PAN HEAD	1	(MH)
5	97885-08010-00	SCREW, PAN HEAD	2	(MH)
6	6E0-43118-01-00	HANDLE, TRANSOM CLAMP	2	(MH)
7	90243-04M01-00	PIN	2	(MH)
8	6E7-43116-00-00	SCREW, TRANSOM CLAMP	2	(MH)
9	648-43114-01-00	PAD, TRANSOM CLAMP	2	(MH)
10	63W-43131-00-00	BOLT, CLAMP BRACKET	1	(MH)
11	90202-22M54-00	WASHER, PLATE	2	(MH)
12	90386-22M94-00	BUSH	1	(MH)
13	90386-22M69-00	BUSH	1	(MH)
14	63V-42731-00-4D	CARRYING HANDLE	1	(MH)
15	63V-43676-01-00	HOOK	1	(MH)
16	93210-20M65-00	.O-RING	1	(MH)
17	90387-06M75-00	COLLAR	1	(MH)
18	90206-08010-00	WASHER, WAVE	1	(MH)
19	97885-06025-00	SCREW, PAN HEAD	1	(MH)
20	95780-06300-00	NUT, FLANGE	1	(MH)
21	6J8-43113-01-00	PLATE, CLAMP BRACKET	1	(MH)
22	63V-43145-00-00	CAP, CLAMP BRACKET	2	(MH)
23	90387-06M13-00	COLLAR	1	(MH)
24	90101-06M29-00	BOLT	1	(MH)
25	92995-06600-00	WASHER	1	(MH)
26	95380-06700-00	NUT	1	(MH)
27	6L2-43160-00-00	TILT ROD ASSY	1	(MH)
28	63V-43311-03-4D	BRACKET, SWIVEL 1	1	(MH)
29	66M-43630-01-00	TILT LEVER ASSY	1	(MH)
30	682-43318-01-00	COVER	1	(MH)
31	63V-43191-00-00	SHAFT, STOPPER	1	(MH)
32	90202-07M60-00	WASHER, PLATE	1	(MH)
33	90387-07M07-00	COLLAR	1	(MH)
34	90386-07M95-00	BUSH	1	(MH)
35	66M-43350-01-00	RECEIVER ASSY	1	(MH)
36	90507-20M00-00	SPRING, TENSION	1	(MH)
37	63V-43641-01-00	LEVER, TILT	1	(MH)
38	90149-05M17-00	SCREW	1	(MH)
39	93430-05027-00	CIRCLIP	2	(MH)
40	66R-43614-00-00	PLATE, TILT LOCK	1	(MH)
41	90508-18M41-00	SPRING, TORSION	1	(MH)
42	66R-43615-00-00	PLATE, TILT LOCK	1	(MH)
43	66R-43611-00-00	SHAFT, TILT LOCK	1	(MH)
44	93430-04M03-00	CIRCLIP	1	(MH)
45	63V-43659-00-00	SHAFT, REVERSE LOCK	1	(MH)
46	93430-05027-00	CIRCLIP	1	(MH)
47	66R-43617-00-00	ROD, TILT LOCK	1	(MH)
48	90506-26M38-00	SPRING, TENSION	1	(MH)
49	63V-43181-00-00	LEVER, TILT STOP	2	(MH)
50	90109-06M84-00	BOLT	4	(MH)

9.9MSHZ 2001 / BRACKET 2



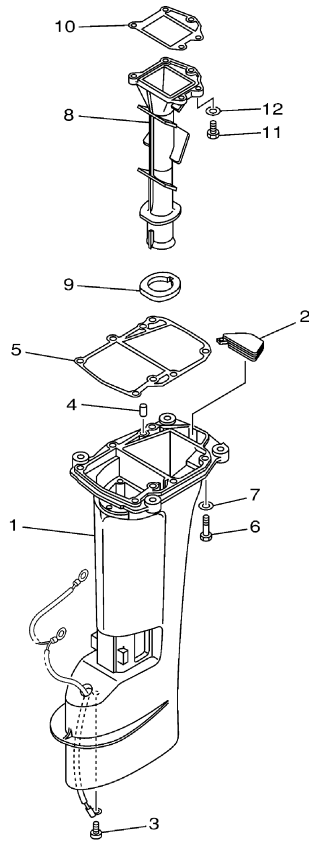
63V0010-1160

Part List

9.9MSHZ 2001 / BRACKET 2

REF - NO	PART NUMBER	PART NAME	QUANTITY	REMARKS
1	93700-06M03-00	NIPPLE, GREASE	1	(MH)
2	63V-42528-00-00	PLATE, FRICTION	1	(MH)
3	689-43373-01-00	SEAL, DAMPER	1	(MH)
4	90105-06M07-00	.BOLT, FLANGE	1	(MH)
5	63V-82127-00-00	WIRE, LEAD 2	1	(MH)
6	63V-42511-04-4D	BRACKET, STEERING	1	(MH)
7	90209-40008-00	WASHER	1	(MH)
8	65F-42537-00-00	BUSHING, PIVOT SHAFT	1	(MH)
9	90386-30048-00	BUSH	1	(MH)
10	93210-29M94-00	O-RING	1	(MH)
11	90386-30M60-00	BUSH	1	(MH)
12	90116-08M54-00	BOLT, STUD	2	(MH)
13	63V-44514-01-5B	MOUNT DAMPER, UPPER SIDE	1	(MH)
14	63V-44526-00-00	PLATE	1	(MH)
15	95380-08600-00	NUT	2	(MH)
16	90387-16002-00	COLLAR	1	(MH)
17	63V-44366-01-00	DAMPER, WATER SEAL	1	(MH)
18	63V-45114-A0-00	GASKET, UPPER CASING	1	(MH)
19	97095-06018-00	.BOLT	3	(MH)
20	92995-06600-00	WASHER	3	(MH)
21	63V-44551-01-4D	HOUSING, LOWER MOUNT RUBBER	2	(MH)
22	63V-44557-00-00	MOUNT DAMPER, LOWER FRONT	1	(MH)
23	682-44555-00-00	MOUNT DAMPER, LOWER SIDE	2	(MH)
24	97075-06055-00	BOLT	2	(MH)
25	92995-06600-00	WASHER	2	(MH)
26	97075-06075-00	BOLT	2	(MH)
27	92995-06600-00	WASHER	2	(MH)
28	90179-06M28-00	NUT	4	(MH)

9.9MSHZ 2001 / UPPER CASING



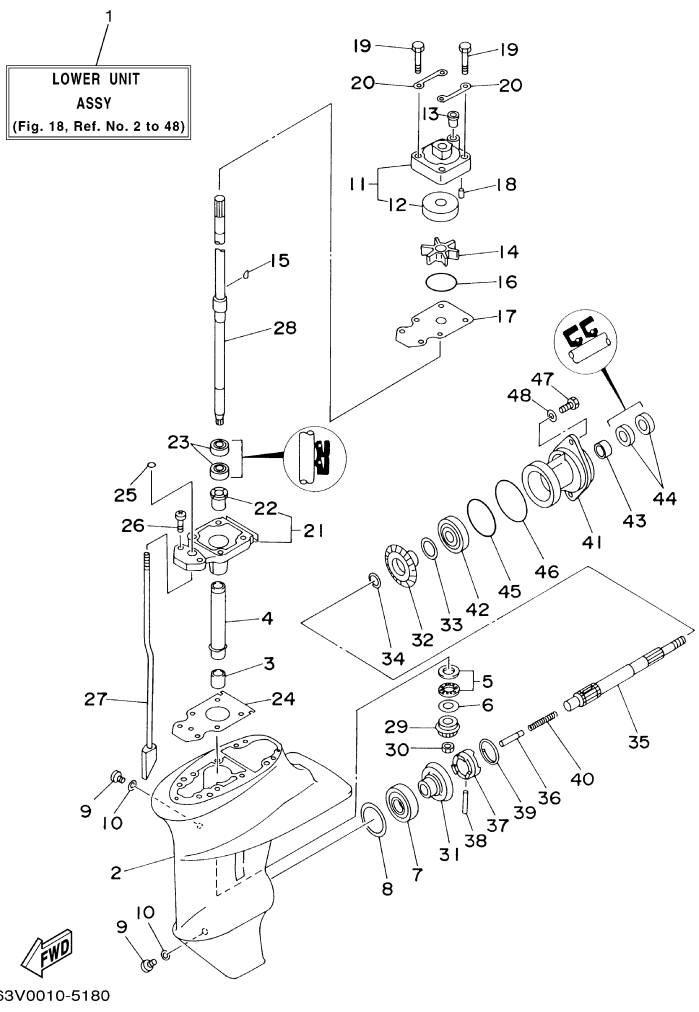
63V0100-1170

Part List

9.9MSHZ 2001 / UPPER CASING

REF - NO	PART NUMBER	PART NAME	QUANTITY	REMARKS
1	63V-45111-04-4D	CASING, UPPER	1	S (MH)
2	63V-45126-00-00	PLATE, SEAL DAMPER	1	(MH)
3	90157-06M06-00	SCREW, PAN HEAD	1	(MH)
4	93606-12019-00	.PIN, DOWEL	2	(MH)
5	63V-45113-A1-00	.GASKET, UPPER CASING	1	(MH)
6	97095-08030-00	BOLT	6	(MH)
7	92995-08600-00	WASHER	6	(MH)
8	65F-41131-00-5B	MANIFOLD, EXT. 1	1	(MH)
9	63V-41135-00-00	.GASKET, EXHAUST MANIFOLD	1	(MH)
10	63V-41133-A1-00	.GASKET, EXHAUST MANIFOLD 1	1	(MH)
11	97095-06020-00	BOLT	5	(MH)
12	92995-06600-00	WASHER	5	(MH)

9.9MSHZ 2001 / LOWER CASING DRIVE 1



©2014 Yamaha Motor Corporation, U.S.A. All rights reserved.


Part List

9.9MSHZ 2001 / LOWER CASING DRIVE 1

REF - NO	PART NUMBER	PART NAME	QUANTITY	REMARKS
1	63V-45300-03-4D	LOWER UNIT ASSY	1	S (MH)
2	63V-45311-01-4D	CASING, LOWER	1	(MH)
3	93315-314V8-00	BEARING	1	(MH)
4	63V-45536-00-00	SLEEVE, DRIVE SHAFT	1	(MH)
5	93341-41414-00	BEARING	1	(MH)
6	6E8-45587-10-20	SHIM (T:1.20MM)	1	UR (MH)
6	6E8-45587-10-13	SHIM (T:1.13MM)	1	UR (MH)
7	93332-00005-00	BEARING	1	(MH)
8	664-45567-01-12	SHIM (T:0.12MM)	1	UR (MH)
8	664-45567-01-30	SHIM (T:0.30MM)	1	UR (MH)
8	664-45567-01-50	SHIM (T:0.50MM)	1	UR (MH)
8	664-45567-01-40	SHIM (T:0.40MM)	1	UR (MH)
8	664-45567-01-15	SHIM (T:0.15MM)	1	UR (MH)
8	664-45567-01-18	SHIM (T:0.18MM)	1	UR (MH)
8	664-45567-01-10	SHIM (T:0.10MM)	1	UR (MH)
9	90340-08M04-00	PLUG, STRAIGHT SCREW	2	(MH)
10	90430-08020-00	.GASKET	2	(MH)
11	63V-44301-00-00	WATER PUMP HOUSING COMP.	1	(MH)
12	63V-44322-00-00	.INSERT, CARTRIDGE	1	(MH)
13	647-44366-00-00	.DAMPER, WATER SEAL	1	(MH)
14	63V-44352-01-00	.IMPELLER	1	(MH)
15	63V-44338-00-00	.KEY, WOODRUFF	1	(MH)
16	93210-44398-00	.O-RING	1	(MH)
17	63V-44323-00-00	.OUTER PLATE, CARTRIDGE	1	(MH)
18	93604-12M07-00	PIN, DOWEL	2	(MH)
19	97080-08045-00	BOLT	4	(MH)
20	63V-44328-00-00	PLATE	2	(MH)
21	63V-45331-00-5B	HOUSING, BEARING	1	(MH)
22	90381-14020-00	.BUSH, SOLID	1	(MH)
23	93101-20048-00	.OIL SEAL	2	(MH)
24	63V-45315-A0-00	.PACKING, LOWER CASING	1	(MH)
25	93210-06ME6-00	.O-RING	1	(MH)
26	97080-08025-00	BOLT	2	(MH)
27	63V-44150-00-00	SHIFT CAM ASSY	1	S (MH)
28	63V-45510-01-00	DRIVE SHAFT ASSY	1	S (MH)
29	63V-45551-00-00	PINION (13T)	1	(MH)
30	90179-08M06-00	NUT	1	(MH)
31	6E7-45560-01-00	GEAR 1 (27T)	1	(MH)
32	6E7-45571-00-00	GEAR 2 (27T)	1	(MH)
33	626-45577-00-01	SHIM (T:0.10MM)	1	UR (MH)
33	626-45577-00-05	SHIM (T:0.50MM)	1	UR (MH)
33	626-45577-00-03	SHIM (T:0.30MM)	1	UR (MH)
34	90201-17682-00	WASHER, PLATE	1	(MH)
35	683-45611-00-00	SHAFT, PROPELLER	1	(MH)
36	650-45635-00-00	PLUNGER, SHIFT	1	(MH)
37	682-45631-00-00	CLUTCH, DOG	1	(MH)
38	90250-05010-00	PIN, STRAIGHT	1	(MH)
39	648-45633-00-00	RING, CROSS PIN	1	(MH)
40	90501-14M06-00	SPRING, COMPRESSION	1	(MH)
41	683-45361-02-4D	CAP, LOWER CASING	1	(MH)
42	93306-00501-00	BEARING	1	(MH)
43	93315-317U2-00	BEARING	1	(MH)
44	93101-17054-00	.OIL SEAL	2	(MH)
45	93210-57M09-00	.O-RING	1	(MH)
46	93210-56M80-00	.O-RING	1	(MH)
47	97095-06020-00	BOLT	2	(MH)
48	92995-06600-00	WASHER	2	(MH)

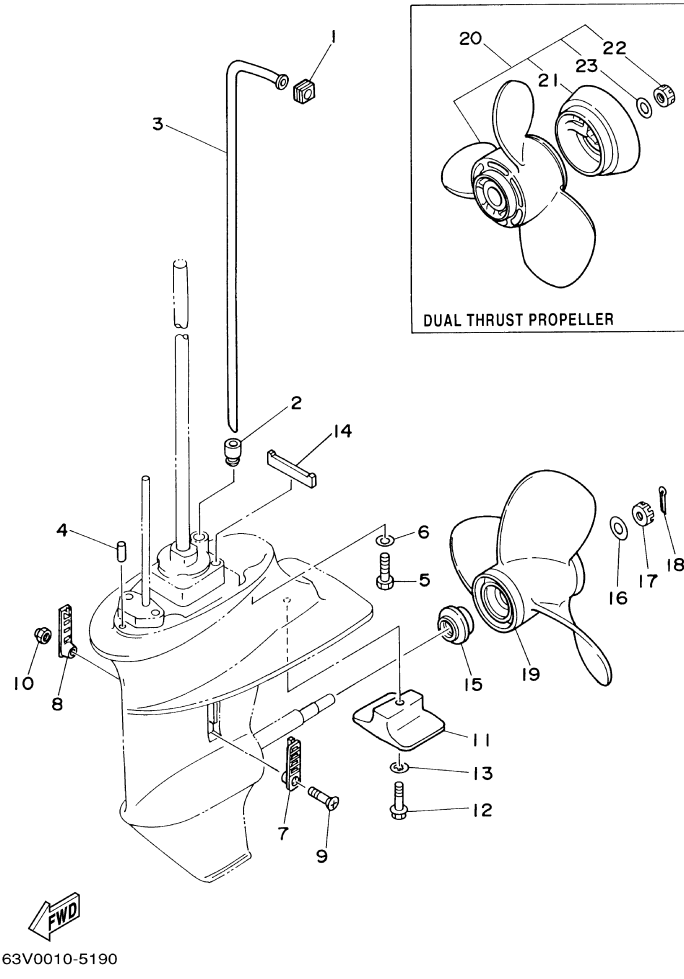
Part Notes

9.9MSHZ 2001 / LOWER CASING DRIVE 1

PART NUMBER		NOTE TEXT
90430-08020-00		OEM: This part number is among the Top 100 Most Popular Marine Maintenance Parts as of March 2014.

©2014 Yamaha Motor Corporation, U.S.A. All rights reserved.

9.9MSHZ 2001 / LOWER CASING DRIVE 2

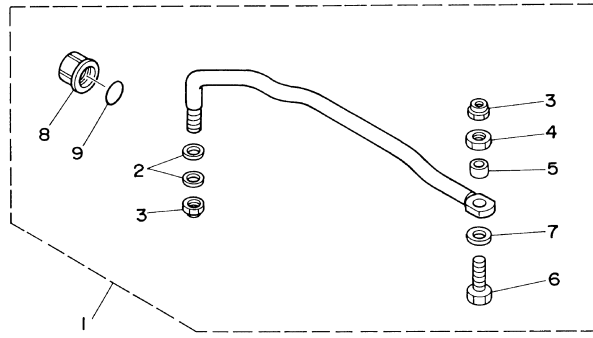


Part List

9.9MSHZ 2001 / LOWER CASING DRIVE 2

REF - NO	PART NUMBER	PART NAME	QUANTITY	REMARKS
1	63V-44365-10-00	DAMPER, WATER SEAL 1	1	(MH)
2	63V-44368-00-00	.RUBBER, WATER SEAL 4	1	(MH)
3	63V-44361-01-00	TUBE, WATER	1	S (MH)
4	93604-12M07-00	PIN, DOWEL	2	(MH)
5	97075-08030-00	BOLT	4	(MH)
6	92995-08600-00	WASHER	4	(MH)
7	6G1-45214-00-00	COVER, WATER INLET 1	1	(MH)
8	63V-45215-00-00	COVER, WATER INLET 2	1	(MH)
9	90152-05M04-00	SCREW, COUNTERSUNK	1	(MH)
10	90185-05002-00	NUT, NYLON	1	(MH)
11	61N-45251-00-00	ANODE	1	(MH)
12	95895-06030-00	BOLT, FLANGE	1	(MH)
13	92990-06300-00	WASHER, INTERNAL TOOTH	1	(MH)
14	63V-45375-00-00	DAMPER, SEAL	1	(MH)
15	6E7-45987-01-00	SPACER 1	1	(MH)
16	90201-10M01-00	WASHER, PLATE	1	(MH)
17	90171-10M01-00	NUT, CASTLE	1	(MH)
18	91490-30020-00	PIN. COTTER	1	(MH)
19	683-45943-00-EL	PROPELLER (3X9-1/4"X10-1/2"-J)	1	UR (MH)
19	683-45945-00-EL	PROPELLER (3X9-1/4"X9"-J)	1	UR (MH)
19	683-45947-00-EL	PROPELLER (3X9-1/4"X8"-J)	1	UR (MH)
19	63V-45945-00-EL	PROPELLER (3X9-1/4"X9"-J)	1	UR (MH)
19	683-45941-00-EL	PROPELLER (3X9-1/4"X12"-J)	1	UR (MH)
19	683-45949-00-EL	PROPELLER (3X9-1/2"X6-1/2"-J)	1	UR (MH)
19	683-45952-00-EL	PROPELLER (3X9-1/4"X9-3/4"-J)	1	UR (MH)
20	683-W4592-02-EL	PROPELLER (3X9-3/4"X6-1/2"-J)	1	UR DUAL THRUST PROP. (MH)
20	683-W4591-02-EL	PROPELLER (3X9-3/4"X8"-J)	1	UR DUAL THRUST PROP. (MH)
21	6E7-45986-00-00	.RING, DEFLECTOR	1	(MH)
22	90171-10M07-00	.NUT, CASTLE	1	(MH)
23	90201-10M02-00	.WASHER, PLATE	1	(MH)

9.9MSHZ 2001 / STEERING GUIDE



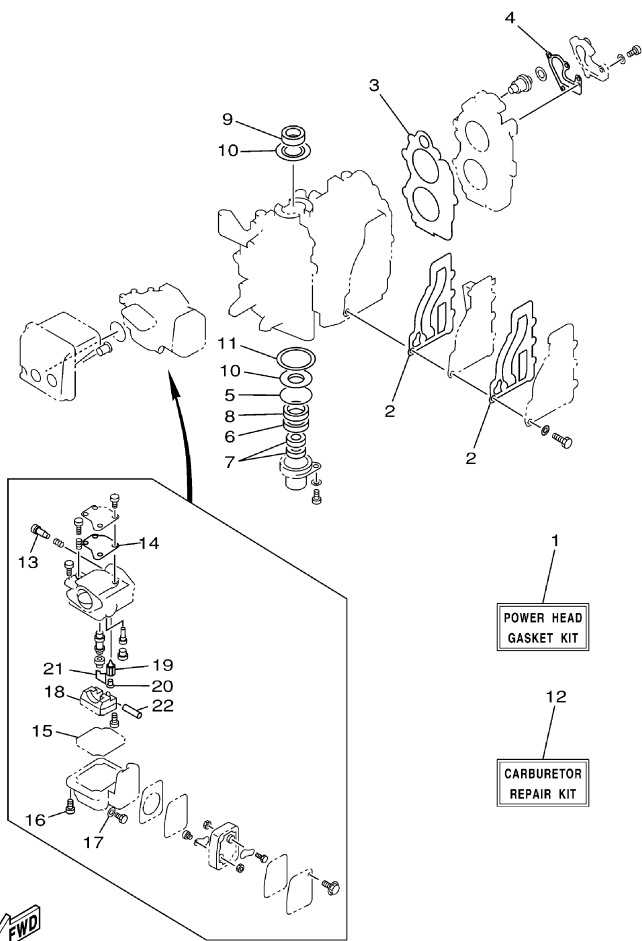
63V0100-5210

Part List

9.9MSHZ 2001 / STEERING GUIDE

REF - NO	PART NUMBER	PART NAME	QUANTITY	REMARKS
1	63V-61350-00-00	STEERING GUIDE ATTACHMENT KIT	1	AP (MH)
2	90201-10M20-00	.WASHER, PLATE	2	(MH)
3	90185-09M01-00	.NUT, SELF-LOCKING	2	(MH)
4	90170-09M03-00	.NUT	1	(MH)
5	90387-10M42-00	.COLLAR	1	(MH)
6	6E5-61355-00-00	.BOLT	1	(MH)
7	90201-10M63-00	.WASHER, PLATE	1	(MH)
8	6E5-43145-01-00	.CAP, CLAMP BRACKET	1	(MH)
9	93210-16275-00	.O-RING	1	(MH)

9.9MSHZ 2001 / REPAIR KIT 1



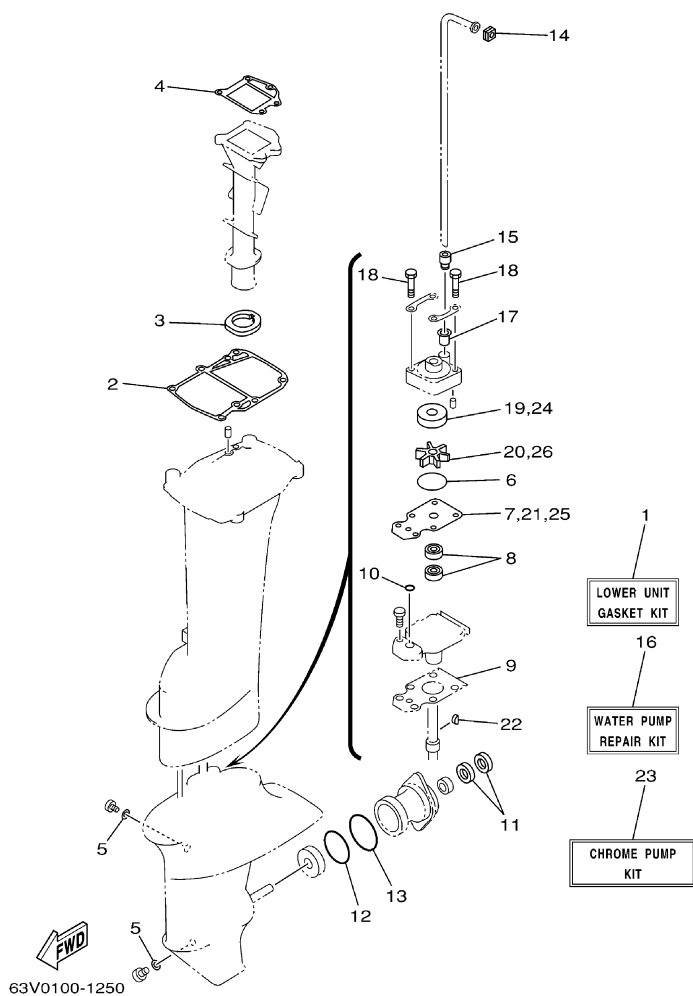
63V0100-1240

Part List

9.9MSHZ 2001 / REPAIR KIT 1

REF - NO	PART NUMBER	PART NAME	QUANTITY	REMARKS
1	63V-W0001-02-00	POWER HEAD GASKET KIT	1	(MH)
2	63V-41112-A0-00	.GASKET, EXHAUST INNER COVER	2	(MH)
3	63V-11181-A1-00	.GASKET, CYLINDER HEAD 1	1	(MH)
4	682-12414-A1-00	.GASKET, COVER	1	(MH)
5	93210-46M16-00	.O-RING	1	(MH)
6	93102-25018-00	.OIL SEAL	1	(MH)
7	93101-13018-00	.OIL SEAL	2	(MH)
8	93102-25M48-00	.OIL SEAL	1	(MH)
9	93110-23M00-00	.OIL SEAL	1	(MH)
10	63V-11445-00-00	.SPACER	2	(MH)
11	90201-46M29-00	.WASHER, PLATE	1	(MH)
12	63V-W0093-00-00	CARBURETOR REPAIR KIT	1	(MH)
13	679-14923-00-00	.SCREW, PILOT	1	(MH)
14	63V-14126-00-00	.GASKET	1	(MH)
15	63V-14984-00-00	.GASKET, FLOAT CHAMBER	1	(MH)
16	97980-04114-00	.SCREW, WITH WASHER	4	(MH)
17	6G1-14398-00-00	.WASHER	1	(MH)
18	63V-14985-00-00	.FLOAT	1	(MH)
19	6G1-14546-00-00	.VALVE, NEEDLE	1	(MH)
20	676-14186-00-00	.PIN, FLOAT	1	(MH)
21	663-14159-00-00	.CLIP	1	(MH)
22	6H4-14548-00-00	.PIN, FLOAT ARM	1	(MH)

9.9MSHZ 2001 / REPAIR KIT 2



©2014 Yamaha Motor Corporation, U.S.A. All rights reserved.


Part List

9.9MSHZ 2001 / REPAIR KIT 2

REF - NO	PART NUMBER	PART NAME	QUANTITY	REMARKS
1	63V-W0001-22-00	LOWER UNIT GASKET KIT	1	(MH)
2	63V-45113-A1-00	.GASKET, UPPER CASING	1	(MH)
3	63V-41135-00-00	.GASKET, EXHAUST MANIFOLD	1	(MH)
4	63V-41133-A1-00	.GASKET, EXHAUST MANIFOLD 1	1	(MH)
5	90430-08020-00	.GASKET	2	(MH)
6	93210-44398-00	.O-RING	1	(MH)
7	63V-44323-00-00	.OUTER PLATE, CARTRIDGE	1	(MH)
8	93101-20048-00	.OIL SEAL	2	(MH)
9	63V-45315-A0-00	.PACKING, LOWER CASING	1	(MH)
10	93210-06ME6-00	.O-RING	1	(MH)
11	93101-17054-00	.OIL SEAL	2	(MH)
12	93210-57M09-00	.O-RING	1	(MH)
13	93210-56M80-00	.O-RING	1	(MH)
14	63V-44365-10-00	.DAMPER, WATER SEAL 1	1	(MH)
15	63V-44368-00-00	.RUBBER, WATER SEAL 4	1	(MH)
16	63V-W0078-01-00	WATER PUMP REPAIR KIT	1	(MH)
17	647-44366-00-00	.DAMPER, WATER SEAL	1	(MH)
18	97080-08045-00	.BOLT	4	(MH)
19	63V-44322-00-00	.INSERT, CARTRIDGE	1	(MH)
20	63V-44352-01-00	.IMPELLER	1	(MH)
21	63V-44323-00-00	.OUTER PLATE, CARTRIDGE	1	(MH)
22	63V-44338-00-00	.KEY, WOODRUFF	1	(MH)
23	63V-W0078-0A-00	CHROME PUMP KIT	1	(MH)
24	63V-44322-40-00	.INSERT, CARTRIDGE	1	(MH)
25	63V-44323-40-00	.OUTER PLATE, CARTRIDGE	1	(MH)
26	63V-44352-01-00	.IMPELLER	1	(MH)

Part Notes

9.9MSHZ 2001 / REPAIR KIT 2

PART NUMBER	NOTE TEXT
90430-08020-00 	OEM: This part number is among the Top 100 Most Popular Marine Maintenance Parts as of March 2014.

©2014 Yamaha Motor Corporation, U.S.A. All rights reserved.

9.9MSHZ 2001 / MODELS IN THIS CATALOG

9.9MSHZ (63V)

Engine Serial No. 682CS-171885 and following

15MSHZ (63W)

Engine Serial No. 684CS-427330 and following

**ALL THESE MODELS USE THIS SAME PARTS CATALOG.
BE SURE TO ORDER ONLY THOSE PARTS APPLICABLE
TO THE DESIRED MODEL.**

©2014 Yamaha Motor Corporation, U.S.A. All rights reserved.

©2014 Yamaha Motor Corporation, U.S.A. All rights reserved.