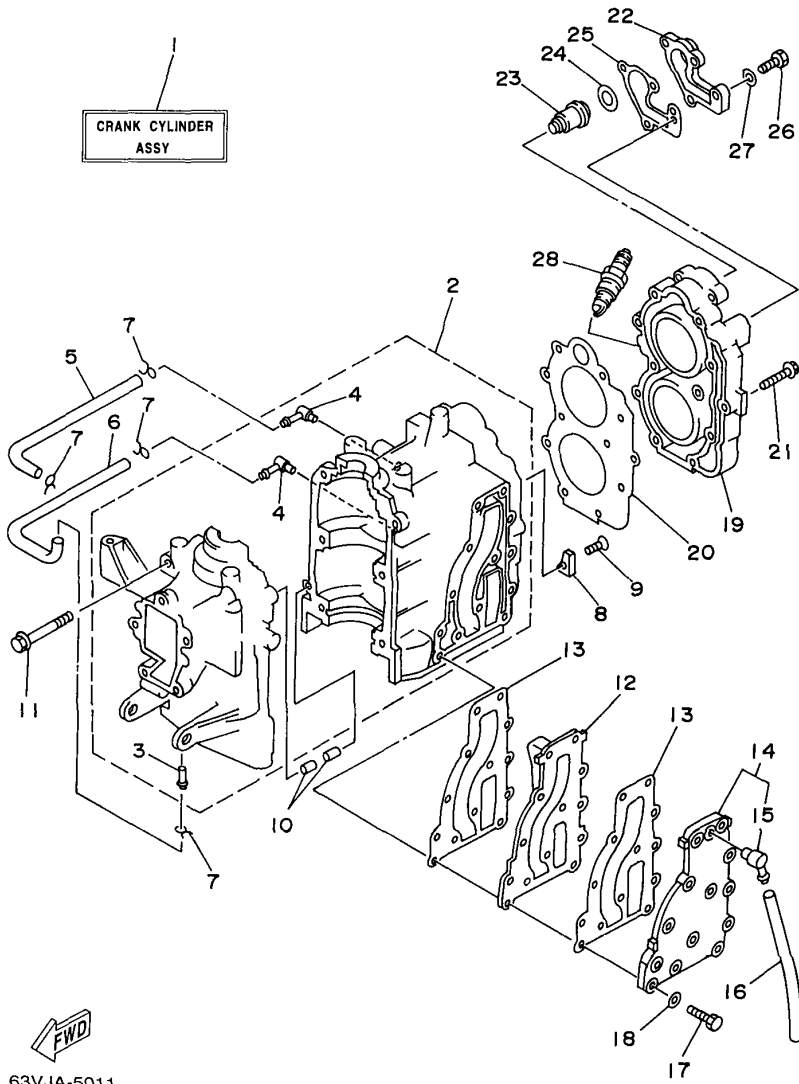


9.9MLHW 1998 / CYLINDER CRANKCASE



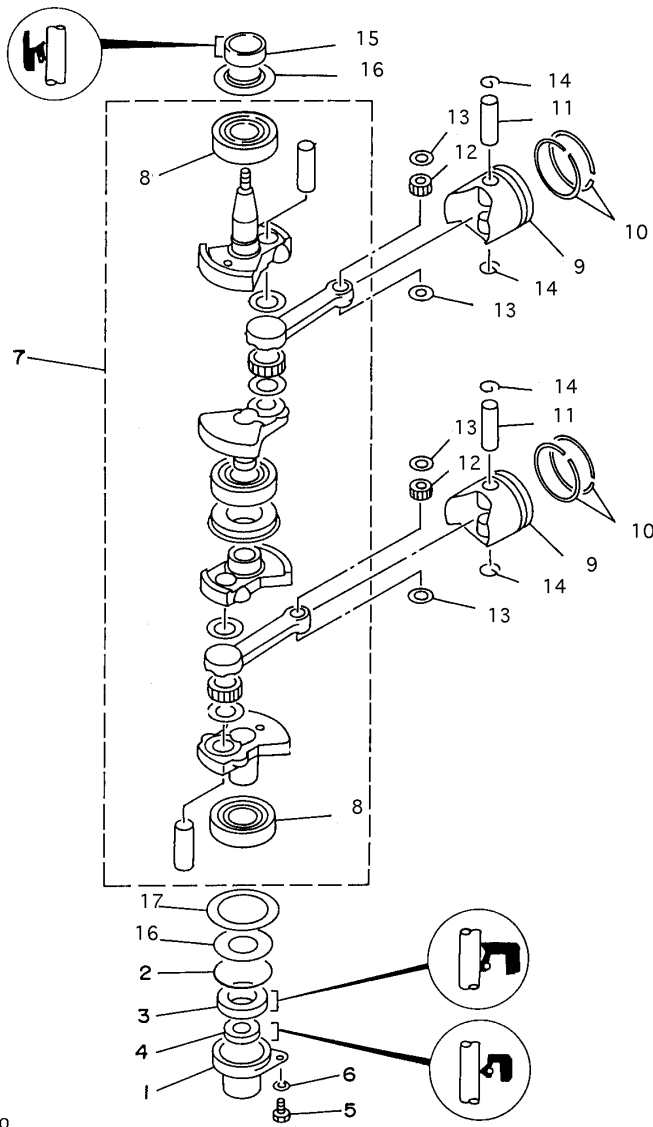
63VJA-5011

## Part List

9.9MLHW 1998 / CYLINDER CRANKCASE

REF - NO	PART NUMBER	PART NAME	QUANTITY	REMARKS
1	63V-W0090-02-4D	CRANK CYLINDER ASSEMBLY	1	REF. 2~27 & GRID A-7, REF. 1~27
2	63V-15100-02-94	CRANKCASE ASSEMBLY	1	
3	624-14485-00-00	.PIPE, JOINT	1	
4	650-14485-02-00	.PIPE, JOINT	2	
5	90445-07M08-00	HOSE (L220)	1	
6	90445-07M08-00	HOSE (L220)	1	
7	90467-06016-00	CLIP	4	
8	682-11325-00-00	ANODE	1	
9	98780-05015-00	SCREW, FLAT HEAD	1	
10	93606-12019-00	.PIN, DOWEL	2	
11	90119-08M07-00	BOLT, WITH WASHER	6	
12	63V-41111-00-9M	INNER COVER, EXHAUST	1	
13	63V-41112-A0-00	.GASKET, EXHAUST INNER COVER	2	
14	63V-41113-00-9M	OUTER COVER, EXHAUST	1	
15	676-11372-00-00	.NIPPLE, HOSE	1	
16	90445-09105-00	HOSE (L300)	1	
17	97013-06030-00	BOLT	13	
18	92903-06600-00	WASHER, PLATE	13	
19	6E7-11111-01-94	HEAD, CYLINDER 1	1	
20	63V-11181-A1-00	.GASKET, CYLINDER HEAD 1	1	
21	90105-07M05-00	BOLT, FLANGE	11	
22	682-12413-00-9M	COVER, THERMOSTAT	1	
23	6E5-12411-20-00	THERMOSTAT	1	
24	90201-16M03-00	WASHER, PLATE	1	
25	682-12414-A1-00	.GASKET, COVER	1	
26	97013-06020-00	BOLT	4	
27	92903-06600-00	WASHER, PLATE	4	
28	NGK-B7HS1-00-00	PLUG, SPARK (NGK B7HS- 10)	2	UR

9.9MLHW 1998 / CRANKSHAFT PISTON



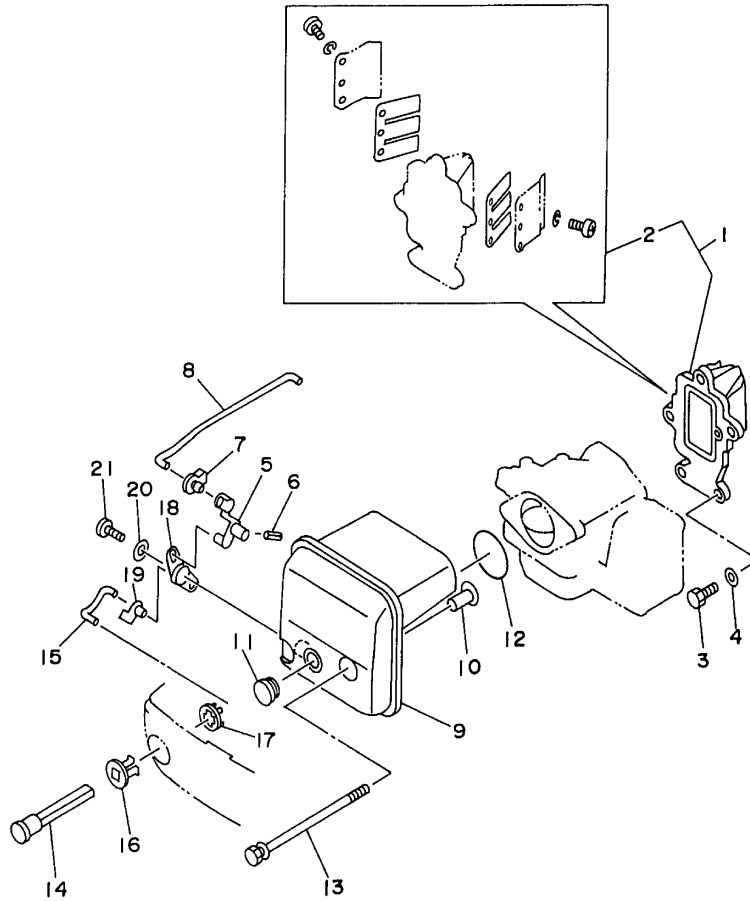
  
63VJA-5020

## Part List

9.9MLHW 1998 / CRANKSHAFT PISTON

REF - NO	PART NUMBER	PART NAME	QUANTITY	REMARKS
1	63V-15396-00-00	HOUSING, OIL SEAL	1	
2	93210-46M16-00	.O-RING	1	
3	93102-25M48-00	.OIL SEAL	1	
4	93101-13M11-00	OIL SEAL	1	
5	97095-06016-00	BOLT	1	
6	92995-06600-00	WASHER	1	
7	63V-11400-00-00	CRANKSHAFT ASSEMBLY	1	
8	93306-205U7-00	.BEARING	2	
9	6E7-11636-00-00	PISTON (0.50MM O/S)	2	AP
9	6E7-11631-00-97	PISTON (STD)	2	
10	682-11610-21-00	PISTON RING SET (0.50MM O/S)	2	AP
10	682-11610-01-00	PISTON RING SET (STD)	2	
11	634-11633-00-00	PIN, PISTON	2	
12	93602-14104-00	PIN, DOWEL	50	
13	90201-14377-00	WASHER, PLATE	4	
14	93450-15023-00	CIRCLIP	4	
15	93110-23M00-00	.OIL SEAL	1	
16	63V-11445-00-00	.SPACER	2	
17	90201-46M29-00	.WASHER, PLATE	1	

9.9MLHW 1998 / INTAKE



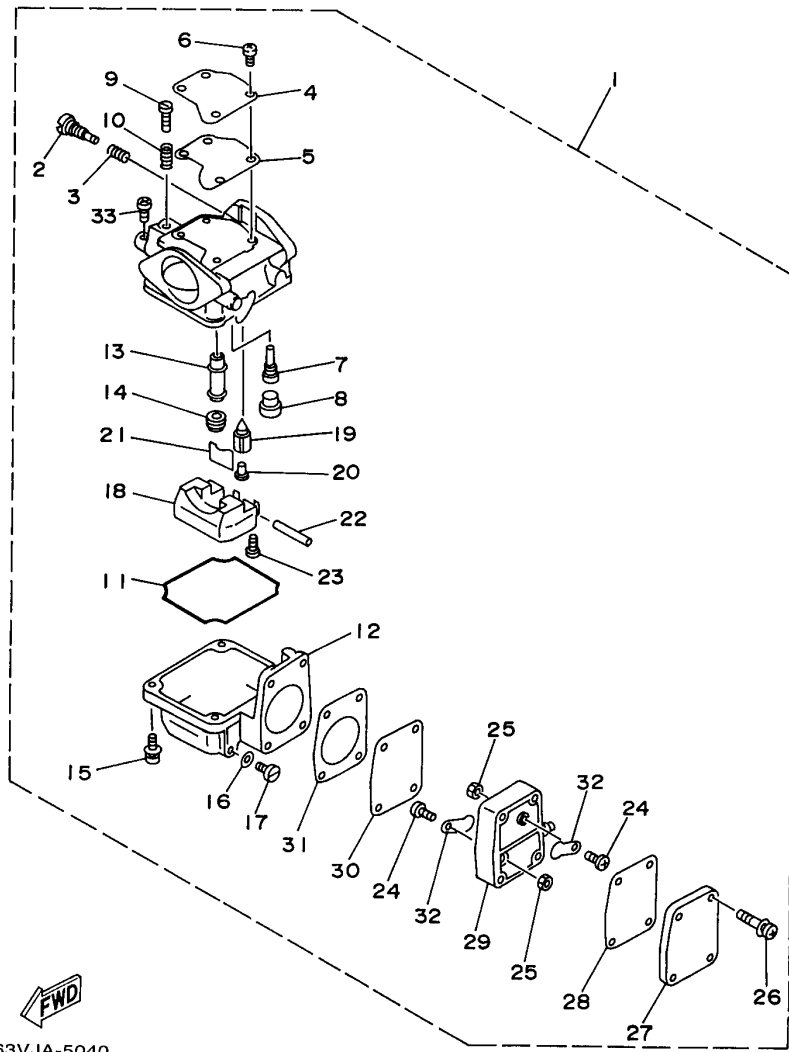
  
63VJA-5031

## Part List

9.9MLHW 1998 / INTAKE

REF - NO	PART NUMBER	PART NAME	QUANTITY	REMARKS
1	63V-13610-00-00	REED VALVE ASSY	1	UR 9.9
1	63W-13610-00-00	REED VALVE ASSY	1	UR 15
2	682-W0004-00-00	.REED SET	1	
3	97095-06020-00	BOLT	3	
4	92995-06600-00	WASHER	3	
5	63V-41253-00-00	LEVER, CHOKE	1	
6	91690-20010-00	PIN, SPRING	1	
7	63V-41262-00-00	JOINT, CHOKE LEVER	1	
8	63V-41257-00-00	ROD, CHOKE 2	1	
9	63V-14440-00-00	SILENCER ASSY, INTAKE	1	
10	90387-06M15-00	COLLAR	2	
11	90480-12M25-00	GROMMET	1	
12	93210-35M86-00	.O-RING	1	
13	90119-06M94-00	BOLT, WITH WASHER	2	
14	6H4-41271-01-00	KNOB, CHOKE	1	
15	63V-41256-00-00	ROD, CHOKE 1	1	
16	689-41273-00-00	GROMMET	1	
17	6J8-41274-00-00	GROMMET 2	1	
18	63V-41252-00-00	LEVER, CHOKE 1	1	
19	661-41262-02-00	JOINT, CHOKE LEVER	1	
20	90201-05M09-00	WASHER, PLATE	1	
21	90164-05M03-00	SCREW, TAPPING	1	

9.9MLHW 1998 / CARBURETOR



63VJA-5040

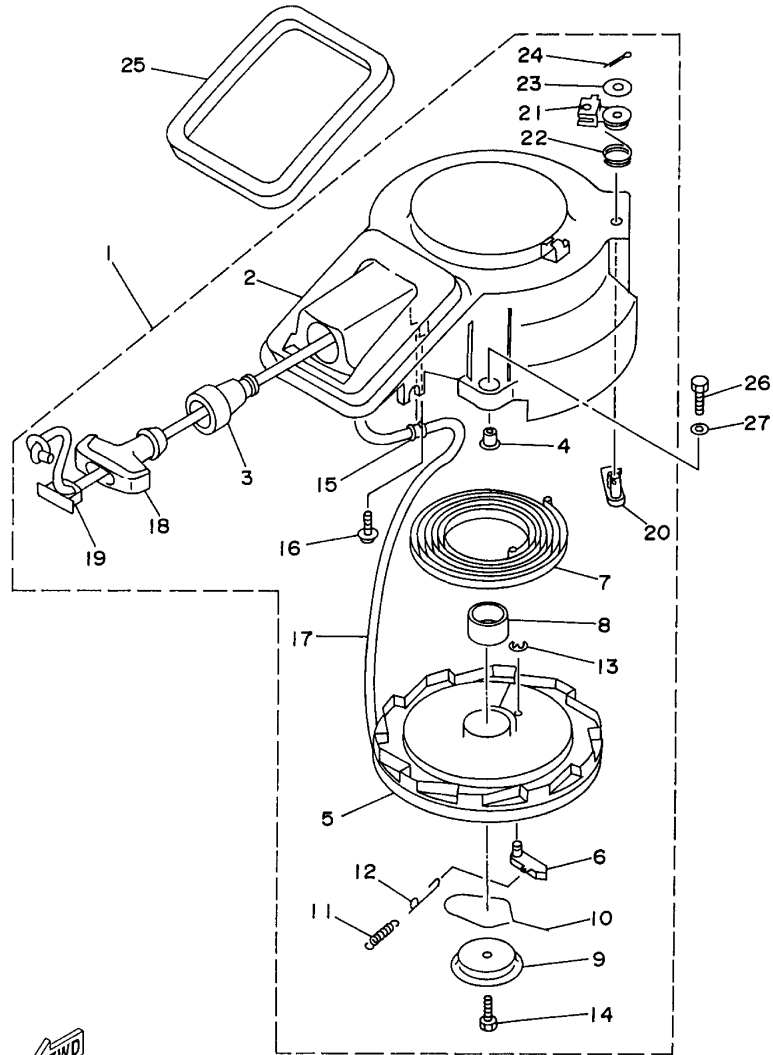
## Part List

9.9MLHW 1998 / CARBURETOR

REF - NO	PART NUMBER	PART NAME	QUANTITY	REMARKS
1	63V-14301-00-00	CARBURETOR ASSY 1	1	
2	679-14923-00-00	.SCREW, PILOT	1	
3	679-14555-00-00	.SPRING	1	
4	63V-14527-00-00	.PLATE	1	
5	63V-14126-00-00	.GASKET	1	
6	97803-04010-00	.SCREW, PAN HEAD	4	
7	63V-14948-06-00	.JET (#48)	1	
8	679-14966-00-00	.RUBBER CAP	1	
9	63V-14523-00-00	.SCREW, STOP	1	
10	90501-10326-00	.SPRING, COMPRESSION	1	
11	63V-14984-00-00	.GASKET, FLOAT CHAMBER	1	
12	63V-14980-00-00	.BODY, FLOAT CHAMBER	1	
13	63V-14947-00-00	.JET, NEEDLE	1	
14	676-14943-29-00	.JET, MAIN (#110)	1	
15	97980-04114-00	.SCREW, WITH WASHER	4	
16	6G1-14398-00-00	.WASHER	1	
17	6G1-14992-00-00	.SCREW, DRAIN	1	
18	63V-14985-00-00	.FLOAT	1	
19	6G1-14546-00-00	.VALVE, NEEDLE	1	
20	676-14186-00-00	.PIN, FLOAT	1	
21	663-14159-00-00	.CLIP	1	
22	6H4-14548-00-00	.PIN, FLOAT ARM	1	
23	98580-04008-00	.SCREW, PAN HEAD	1	
24	98980-03006-00	.SCREW, BIND	2	
25	95380-03600-00	.NUT	2	
26	97980-04125-00	.SCREW, WITH WASHER	4	
27	6G1-24452-00-00	.COVER	1	
28	63V-24411-00-00	.DIAPHRAGM	1	
29	6G1-24412-01-00	.BODY 1	1	
30	6G1-24411-00-00	.DIAPHRAGM	1	
31	6G1-24431-01-00	.GASKET, FUEL PUMP 1	1	
32	6L5-24421-00-00	.VALVE, CHECK	2	
33	98580-04006-00	.SCREW, PAN HEAD	1	



9.9MLHW 1998 / STARTER



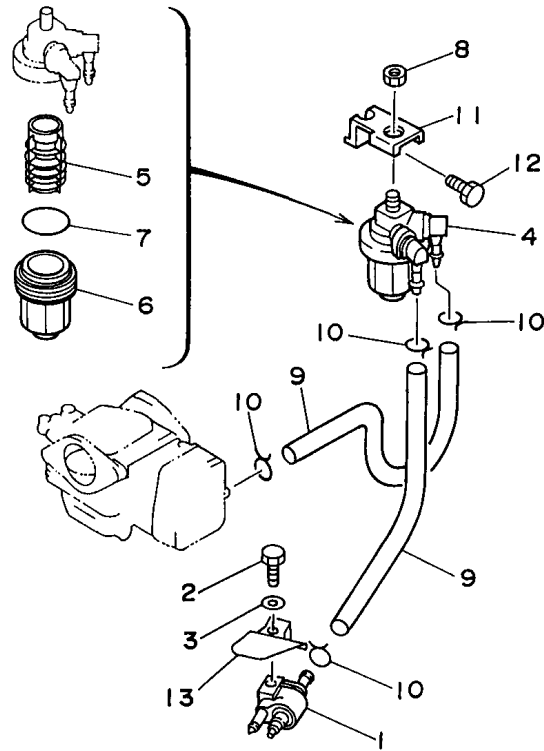
63VJA-5051

## Part List

9.9MLHW 1998 / STARTER

REF - NO	PART NUMBER	PART NAME	QUANTITY	REMARKS
1	63V-15710-12-00	STARTER ASSY	1	
2	63V-15711-01-00	.CASE, STARTER	1	
3	63V-15795-01-00	.GUIDE, ROPE	1	
4	90387-06M05-00	.COLLAR	3	
5	63V-15714-00-00	.DRUM, SHEAVE	1	
6	63V-15741-00-00	.PAWL, DRIVE	1	
7	63V-15713-00-00	.SPRING, STARTER	1	
8	63V-15753-00-00	.BUSH	1	
9	63V-15716-00-00	.PLATE, DRIVE	1	
10	63V-15705-01-00	.SPRING, DRIVE PAWL	1	
11	63V-15767-01-00	.SPRING	1	
12	63V-15784-01-00	.SPRING, RETURN	1	
13	63V-15744-00-00	.CIRCLIP	1	
14	63V-15768-00-00	.BOLT	1	
15	63V-15764-00-00	.COLLAR 1	1	
16	63V-15793-00-00	.SCREW	1	
17	90580-50M01-00	.ROPE, STARTER	1	
18	6G1-15755-00-00	.HANDLE, STARTER	1	
19	6G1-15779-00-00	.COVER	1	
20	63V-15794-00-00	.STOPPER	1	
21	63V-15748-00-00	.PLUNGER, STARTER STOP	1	
22	63V-15734-00-00	.SPRING, RETURN	1	
23	63V-15726-00-00	.WASHER, FLAT	1	
24	91490-16018-00	.PIN COTTER	1	
25	63V-15762-00-00	SEAL, RUBBER 2	1	
26	97095-06020-00	BOLT	3	
27	92995-06600-00	WASHER	3	

9.9MLHW 1998 / FUEL



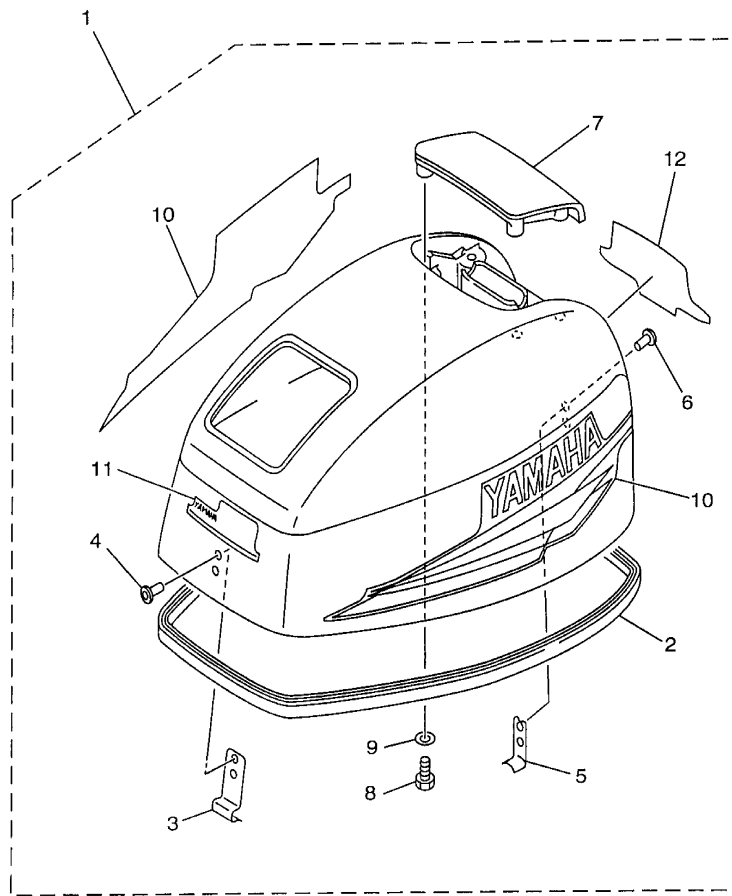
63VJA-5061

## Part List

9.9MLHW 1998 / FUEL

REF - NO	PART NUMBER	PART NAME	QUANTITY	REMARKS
1	6G1-24304-02-00	FUEL PIPE JOINT COMP. 1	1	
2	97095-06020-00	BOLT	1	
3	92995-06600-00	WASHER	1	
4	61N-24560-00-00	FILTER ASSY	1	
5	61N-24563-00-00	.ELEMENT, FILTER	1	
6	61N-24521-00-00	.CUP, FILTER	1	
7	93210-32738-00	.O-RING	1	
8	95380-08600-00	NUT	1	
9	90445-09M00-00	HOSE (L180)	2	
10	90467-08004-00	CLIP	4	
11	682-24566-00-00	BRACKET, FILTER	1	
12	97013-06010-00	BOLT	1	
13	63V-24396-00-00	PLATE	1	

9.9MLHW 1998 / TOP COWLING



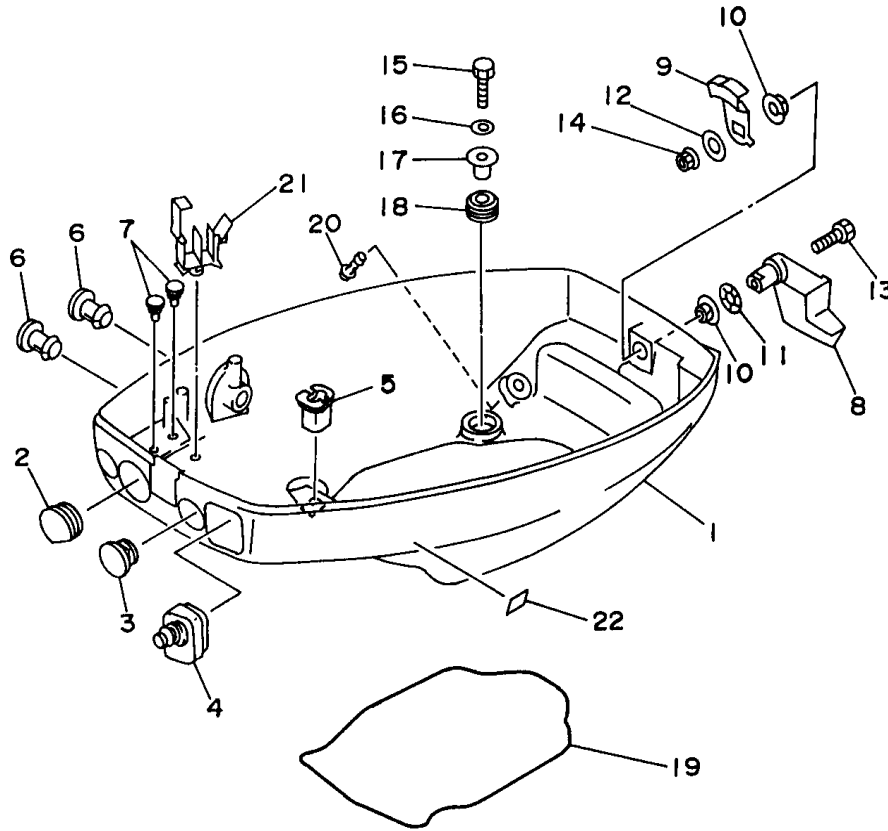
63VJA-8070

## Part List

9.9MLHW 1998 / TOP COWLING

REF - NO	PART NUMBER	PART NAME	QUANTITY	REMARKS
1	63V-42610-11-4D	TOP COWLING ASSEMBLY	1	UR 9.9
1	63W-42610-11-4D	TOP COWLING ASSEMBLY	1	UR 15
2	63V-42615-00-00	.SEAL	1	
3	6G1-42651-02-00	.HOOK	1	
4	90266-04M04-00	.RIVET	2	
5	6L2-42647-00-00	.HOLDER, CLAMP BAND	1	
6	90266-04M04-00	.RIVET	2	
7	6G1-42613-01-4D	.MOLDING, AIR DUCT	1	
8	97095-06016-00	.BOLT	4	
9	92995-06600-00	.WASHER	4	
10	63V-W0070-11-00	.GRAPHIC SET	1	
11	63W-42677-11-00	.GRAPHIC, FRONT	1	UR 15
11	63V-42677-11-00	.GRAPHIC, FRONT	1	UR 9.9
12	63V-42678-10-00	.GRAPHIC, REAR	1	UR 9.9
12	63W-42678-10-00	.GRAPHIC, REAR	1	UR 15

9.9MLHW 1998 / BOTTOM COWLING



  
63VUS-5081

©2014 Yamaha Motor Corporation, U.S.A. All rights reserved.

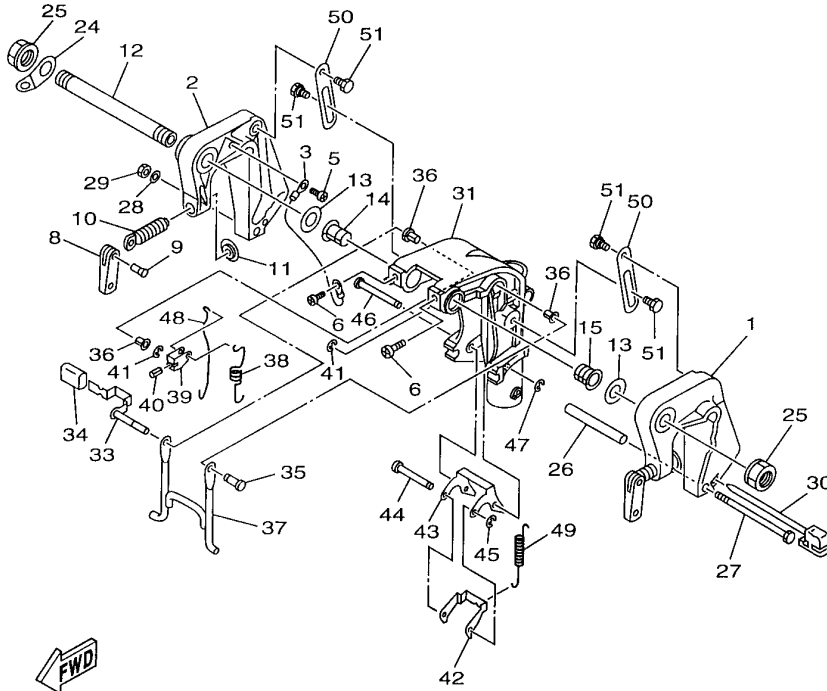
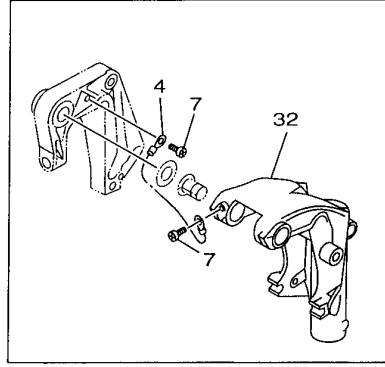
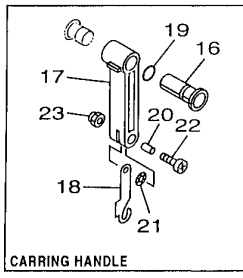
## Part List

9.9MLHW 1998 / BOTTOM COWLING

REF - NO	PART NUMBER	PART NAME	QUANTITY	REMARKS
1	63V-42711-03-4D	COWLING, BOTTOM 1	1	
2	682-42724-00-00	GROMMET	1	
3	682-42725-02-00	GROMMET	1	
4	63V-42726-00-00	GROMMET	1	
5	682-42727-00-00	GROMMET	1	
6	6G1-42748-00-00	GROMMET	2	
7	90480-06M19-00	GROMMET	2	
8	63V-42815-01-4D	LEVER, CLAMP	1	
9	6E7-42816-00-00	LEVER, CLAMP	1	
10	90386-12M45-00	BUSH	2	
11	90206-12052-00	WASHER, WAVE	1	
12	90201-06068-00	WASHER, PLATE	1	
13	97095-06025-00	BOLT	1	
14	95380-06700-00	NUT	1	
15	97095-06025-00	BOLT	4	
16	92995-06600-00	WASHER	4	
17	90387-06M52-00	COLLAR	4	
18	90480-15M31-00	GROMMET	4	
19	63V-42716-01-00	RUBBER, SEAL 1	1	
20	6H3-44391-01-00	NIPPLE, HOSE	1	
21	90465-25M57-00	CLAMP	1	
22	6A1-42792-01-00	MARK (100:1)	1	



9.9MLHW 1998 / BRACKET 1



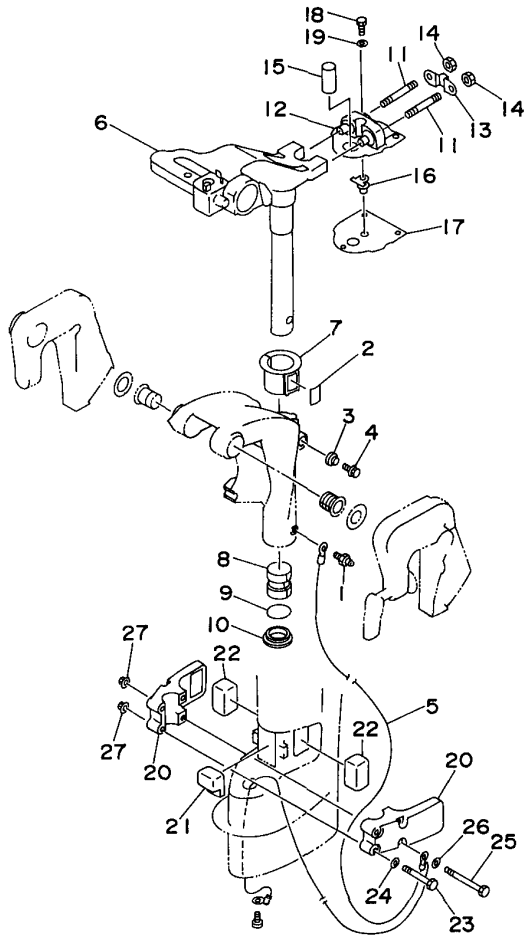
  
63VUS-8090

## Part List

9.9MLHW 1998 / BRACKET 1

REF - NO	PART NUMBER	PART NAME	QUANTITY	REMARKS
1	63V-43111-02-4D	BRACKET, CLAMP	1	
2	63V-43112-03-4D	BRACKET, CLAMP	1	
3	66M-82148-00-00	WIRE, LEAD 4	1	9.9MSHW:159298 AND ~ 9.9FMHS:159298 AND~9.9MLHW:45
4	6E5-82148-00-00	WIRE, LEAD 4	1	9.9MSHW:159297 AND BELOW 9.9FMHS:159297 BELOW9.9ML
5	97885-06008-00	SCREW, PAN HEAD	1	9.9MSHW:159298 AND ~ 9.9FMHS:159298 AND~9.9MLHW:45
6	97885-08010-00	SCREW, PAN HEAD	2	9.9MSHW:159298 AND ~ 9.9FMHS:159298 AND~9.9MLHW:45
7	97885-06008-00	SCREW, PAN HEAD	3	9.9MSHW:159297 AND BELOW 9.9FMHS:159297 BELOW9.9ML
8	6E0-43118-01-00	HANDLE, TRANSOM CLAMP	2	
9	90243-04M01-00	PIN	2	
10	6E7-43116-00-00	SCREW, TRANSOM CLAMP	2	
11	648-43114-01-00	PAD, TRANSOM CLAMP	2	
12	63V-43131-00-00	BOLT, CLAMP BRACKET	1	
13	90202-22M54-00	WASHER, PLATE	2	
14	90386-22M94-00	BUSH	1	
15	90386-22M94-00	BUSH	1	
16	90386-22M69-00	BUSH	1	CARRYING HANDLE
17	63V-42731-00-4D	CARRYING HANDLE	1	CARRYING HANDLE
18	63V-43676-00-00	HOOK	1	CARRYING HANDLE
19	93210-20M65-00	.O-RING	1	CARRYING HANDLE
20	90387-06M75-00	COLLAR	1	CARRYING HANODLE**(SEE GRID B-8)
21	90206-08010-00	WASHER, WAVE	1	CARRYING HANDLE
22	97885-06025-00	SCREW, PAN HEAD	1	CARRYING HANDLE
23	95780-06300-00	NUT, FLANGE	1	CARRYING HANDLE
24	6J8-43113-01-00	PLATE, CLAMP BRACKET	1	
25	63V-43145-00-00	CAP, CLAMP BRACKET	2	
26	90387-06M13-00	COLLAR	1	
27	90101-06M29-00	BOLT	1	
28	92995-06600-00	WASHER	1	
29	95380-06700-00	NUT	1	
30	6L2-43160-00-00	TILT ROD ASSY	1	
31	63V-43311-02-4D	BRACKET, SWIVEL	1	9.9MSHW:159298 AND ~ 9.9FMHS:159298 AND~9.9MLHW:45
32	63V-43311-01-4D	BRACKET, SWIVEL	1	9.9MSHW:159297 AND BELOW 9.9FMHS:159297 BELOW9.9ML
33	63V-43630-00-00	TILT LEVER ASSY	1	
34	682-43318-01-00	COVER	1	
35	63V-43191-00-00	SHAFT, STOPPER	1	
36	90386-07M95-00	BUSH	3	
37	63V-43350-00-00	RECEIVER ASSEMBLY	1	
38	90507-20M00-00	SPRING, TENSION	1	
39	63V-43641-00-00	LEVER, TILT	1	
40	91690-30012-00	.PIN, SPRING	1	
41	93430-05027-00	CIRCLIP	2	
42	63V-43614-00-00	PLATE, TILT LOCK	1	
43	63V-43615-00-00	PLATE, TILT LOCK	1	
44	63V-43611-00-00	SHAFT, TILT LOCK	1	
45	93430-05027-00	CIRCLIP	1	
46	63V-43659-00-00	SHAFT, REVERSE LOCK	1	
47	93430-05027-00	CIRCLIP	1	
48	63V-43617-00-00	ROD, TILT LOCK	1	
49	90507-26M00-00	SPRING, TENSION	1	
50	63V-43181-00-00	LEVER, TILT STOP	2	
51	90109-06M69-00	BOLT	4	

9.9MLHW 1998 / BRACKET 2



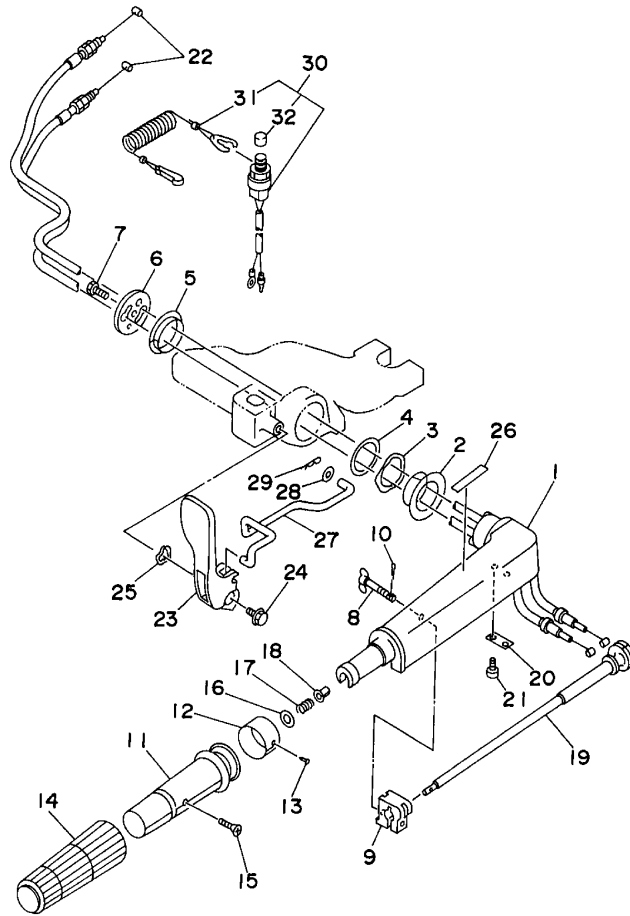
63VJA-5101

## Part List

9.9MLHW 1998 / BRACKET 2

REF - NO	PART NUMBER	PART NAME	QUANTITY	REMARKS
1	93700-06M03-00	NIPPLE, GREASE	1	
2	63V-42528-00-00	PLATE, FRICTION	1	
3	689-43373-01-00	SEAL, DAMPER	1	
4	90105-06M07-00	.BOLT, FLANGE	1	
5	63V-82127-00-00	WIRE, LEAD 2	1	
6	63V-42511-03-4D	BRACKET, STEERING	1	
7	63V-42537-00-00	BUSHING, PIVOT SHAFT	1	
8	90386-30048-00	BUSH	1	
9	93210-29M94-00	O-RING	1	
10	90386-30M60-00	BUSH	1	
11	90116-08M54-00	BOLT, STUD	2	
12	63V-44514-00-5B	MOUNT DAMPER, UPPER SIDE	1	
13	63V-44526-00-00	PLATE	1	
14	95380-08600-00	NUT	2	
15	90387-16M01-00	COLLAR	1	
16	63V-44366-00-00	DAMPER, WATER SEAL	1	
17	63V-45114-A0-00	GASKET, UPPER CASING	1	
18	97095-06018-00	.BOLT	3	
19	92995-06600-00	WASHER	3	
20	63V-44551-01-4D	HOUSING, LOWER MOUNT RUBBER	2	
21	63V-44557-00-00	MOUNT DAMPER, LOWER FRONT	1	
22	682-44555-00-00	MOUNT DAMPER, LOWER SIDE	2	
23	97075-06055-00	BOLT	2	
24	92995-06600-00	WASHER	2	
25	97075-06075-00	BOLT	2	
26	92995-06600-00	WASHER	2	
27	90179-06M28-00	NUT	4	

9.9MLHW 1998 / STEERING



63VJA-5113

©2014 Yamaha Motor Corporation, U.S.A. All rights reserved.



## Part List

9.9MLHW 1998 / STEERING

REF - NO	PART NUMBER	PART NAME	QUANTITY	REMARKS
1	6G1-42111-11-4D	HANDLE, STEERING	1	
2	90386-34M97-00	BUSH	1	
3	90206-36M21-00	WASHER, WAVE	1	
4	90202-36M55-00	WASHER, PLATE	1	
5	90386-33M96-00	BUSH	1	
6	6G1-42131-01-00	COVER, HANDLE STEERING	1	
7	97095-06020-00	BOLT	1	
8	6G1-42125-01-00	BOLT, FRICTION ADJUSTING	1	
9	6G1-42126-00-00	FRICTION, STEERING HANDLE GRIP	1	
10	91490-16010-00	PIN. COTTER	1	
11	664-42119-00-00	GRIP, STEERING HANDLE	1	
12	6H2-42137-00-00	INDICATOR, THROTTLE	1	
13	90269-02M09-00	RIVET	1	
14	6G1-42177-00-00	RUBBER, HANDLE	1	
15	90149-05M13-00	SCREW	1	
16	92903-10600-00	WASHER, PLATE	1	
17	90501-23215-00	SPRING, COMPRESSION	1	
18	90386-08032-00	BUSH	1	
19	6G1-42138-01-00	LEVER, THROTTLE	1	
20	6E0-42159-02-00	STAY	1	
21	97885-05012-00	SCREW, PAN HEAD	2	
22	6L2-26301-00-00	THROTTLE CABLE ASSY	2	
23	63V-44111-01-00	HANDLE, GEAR SHIFT	1	
24	90119-06M09-00	BOLT, WITH WASHER	1	
25	90206-13M10-00	WASHER, WAVE	1	
26	6E0-44191-11-00	INDICATOR, SHIFT	1	
27	63V-44124-01-00	LINK, SHIFT ROD	1	
28	90202-06009-00	WASHER, PLATE	1	
29	90468-18008-00	CLIP	1	
30	63V-82575-00-00	ENGINE STOP SWITCH ASSEMBLY	1	
31	682-82556-00-00	.LANYARD, STOP SWITCH	1	
32	689-8257Y-00-00	.CAP	1	

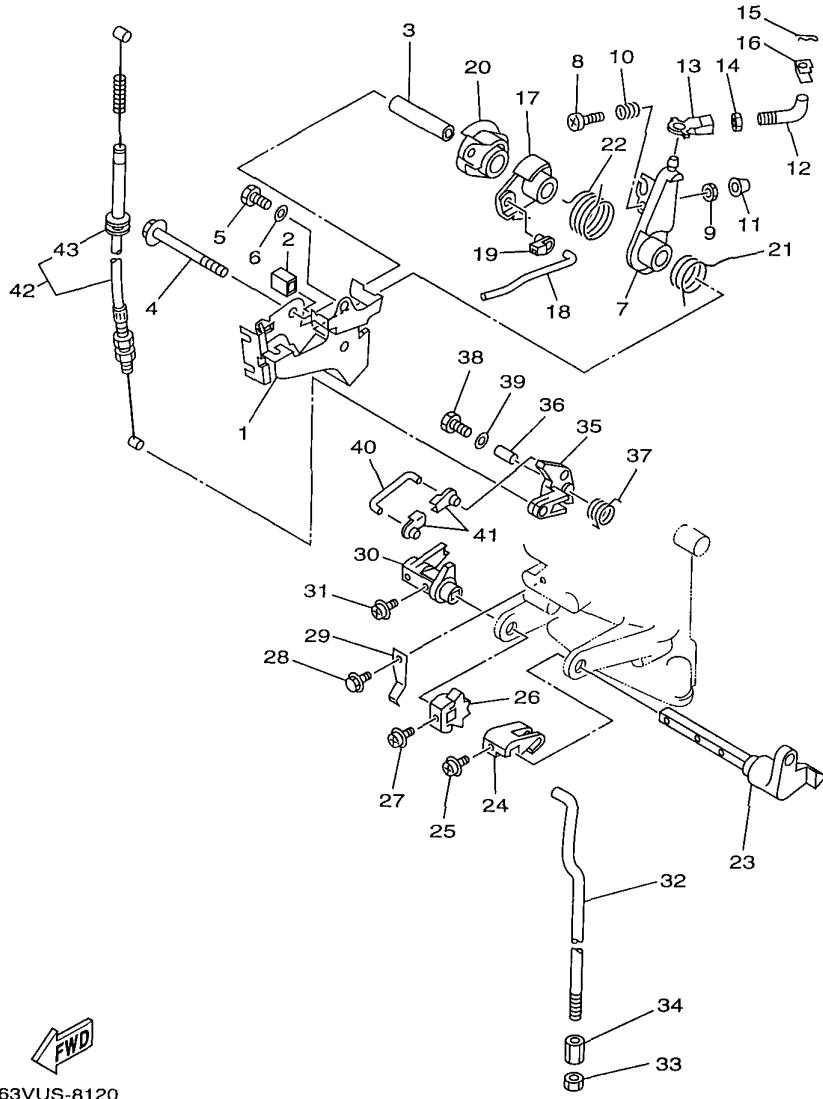
## Part Notes

9.9MLHW 1998 / STEERING

PART NUMBER		NOTE TEXT
90468-18008-00		OEM: This part number is among the Top 100 Most Popular Marine Maintenance Parts as of March 2014.
682-82556-00-00		OEM: This part number is among the Top 100 Most Popular Marine Maintenance Parts as of March 2014.

©2014 Yamaha Motor Corporation, U.S.A. All rights reserved.

9.9MLHW 1998 / CONTROL



  
63VUS-8120

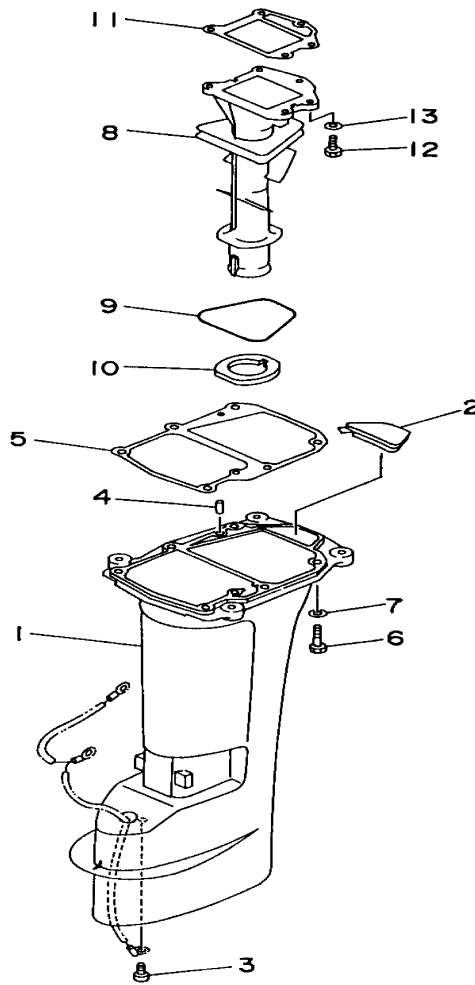
## Part List

9.9MLHW 1998 / CONTROL

REF - NO	PART NUMBER	PART NAME	QUANTITY	REMARKS
1	63V-14497-01-00	STAY, THROTTLE WIRE	1	
2	689-44194-00-00	CAP	1	
3	90387-06M50-00	COLLAR	1	
4	95895-06065-00	BOLT, FLANGE	1	
5	97095-06012-00	BOLT	1	
6	92995-06600-00	WASHER	1	
7	63V-41631-00-00	LEVER, MAGNETO CONTROL	1	
8	97885-06030-00	SCREW, PAN HEAD	1	
9	95380-06600-00	NUT, HEXAGON	1	
10	90501-12M16-00	SPRING, COMPRESSION	1	
11	688-44194-00-00	CAP	1	
12	63V-41238-00-00	JOINT, LINK	1	
13	6H4-41237-00-00	JOINT, LINK	1	
14	95380-05700-00	NUT	1	
15	90468-10005-00	CLIP	1	
16	63V-41223-00-00	WASHER, LOCK 1	1	
17	63V-41283-01-00	LEVER, FREE ACCEL.	1	
18	63V-41211-00-00	LINK, ACCEL.	1	
19	661-41262-02-00	JOINT, CHOKE LEVER	1	
20	63V-41638-00-00	PULLEY	1	
21	90508-16M37-00	SPRING, TORSION	1	
22	90508-20M38-00	SPRING, TORSION	1	
23	63V-44123-01-00	ARM, SHIFT ROD	1	
24	63V-44121-01-00	LEVER, SHIFT ROD	1	
25	90195-05M25-00	SCREW, WITH WASHER	1	
26	63V-44125-00-00	LEVER, SHIFT ROD	1	
27	90159-05M25-00	.SCREW, WITH WASHER	1	
28	97595-06512-00	BOLT, WITH WASHER	1	
29	63V-44116-00-00	SPRING	1	
30	63V-44122-00-00	BUSHING, SHIFT ROD LEVER	1	
31	90159-05M25-00	.SCREW, WITH WASHER	1	
32	63V-44143-01-00	ROD, SHIFT	1	
33	95380-06700-00	NUT	1	
34	90170-06015-00	NUT	1	
35	63V-15746-00-00	ARM	1	
36	90387-06M06-00	COLLAR	1	
37	90508-08M39-00	SPRING, TORSION	1	
38	97095-06020-00	BOLT	1	
39	92995-06600-00	WASHER	1	
40	6L2-15747-00-00	LINK	1	
41	661-41262-02-00	JOINT, CHOKE LEVER	2	
42	63V-15770-00-00	CABLE COMP., STARTER STOP	1	
43	90480-10M16-00	.GROMMET	1	



9.9MLHW 1998 / UPPER CASING



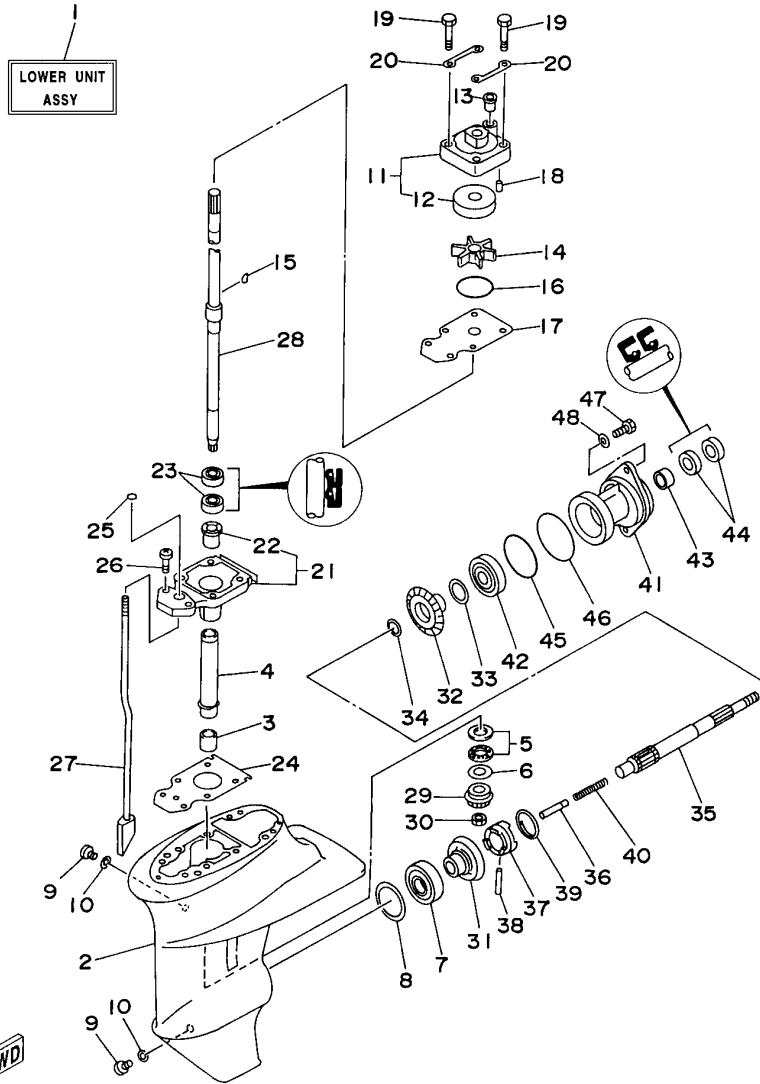
63VUS-5130

## Part List

9.9MLHW 1998 / UPPER CASING

REF - NO	PART NUMBER	PART NAME	QUANTITY	REMARKS
1	63V-45111-04-4D	CASING, UPPER	1	UR SHORT
1	63V-45111-14-4D	CASING, UPPER	1	UR LONG
2	63V-45126-00-00	PLATE, SEAL DAMPER	1	
3	90157-06M06-00	SCREW, PAN HEAD	1	
4	93606-12019-00	.PIN, DOWEL	2	
5	63V-45113-A1-00	.GASKET, UPPER CASING	1	
6	97095-08030-00	BOLT	6	
7	92995-08600-00	WASHER	6	
8	63V-41131-02-5B	MANIFOLD, EXT. 1	1	
9	93210-71MH6-00	O-RING	1	
10	63V-41135-00-00	.GASKET, EXHAUST MANIFOLD	1	
11	63V-41133-A1-00	.GASKET, EXHAUST MANIFOLD 1	1	
12	97095-06020-00	BOLT	5	
13	92995-06600-00	WASHER	5	

9.9MLHW 1998 / LOWER CASING DRIVE 1



63VJA-5142

©2014 Yamaha Motor Corporation, U.S.A. All rights reserved.


## Part List

9.9MLHW 1998 / LOWER CASING DRIVE 1

REF - NO	PART NUMBER	PART NAME	QUANTITY	REMARKS
1	63V-45300-12-4D	LOWER UNIT ASSEMBLY	1	
1	63V-45300-02-4D	LOWER UNIT ASSEMBLY	1	
2	63V-45311-01-4D	CASING, LOWER	1	
3	93315-314V8-00	BEARING	1	
4	63V-45536-00-00	SLEEVE, DRIVE SHAFT	1	
5	93341-414V1-00	BEARING	1	
6	6E8-45587-00-20	SHIM (T:1.20MM)	1	UR
6	6E8-45587-00-13	SHIM (T:1.13MM)	1	UR
7	93332-00005-00	BEARING	1	
8	664-45567-01-40	SHIM (T:0.40MM)	1	UR
8	664-45567-01-18	SHIM (T:0.18MM)	1	UR
8	664-45567-01-15	SHIM (T:0.15MM)	1	UR
8	664-45567-01-10	SHIM (T:0.10MM)	1	UR
8	664-45567-01-50	SHIM (T:0.50MM)	1	UR
8	664-45567-01-30	SHIM (T0.30MM)	1	UR
8	664-45567-01-12	SHIM (T:0.12MM)	1	UR
9	90340-08M04-00	PLUG, STRAIGHT SCREW	2	
10	90430-08020-00	.GASKET	2	
11	63V-44301-00-00	WATER PUMP HOUSING COMP.	1	
12	63V-44322-00-00	.INSERT, CARTRIDGE	1	
13	647-44366-00-00	.DAMPER, WATER SEAL	1	
14	63V-44352-00-00	IMPELLER	1	
15	664-44338-00-00	.KEY, WOODRUFF	1	
16	93210-44398-00	.O-RING	1	
17	63V-44323-00-00	.OUTER PLATE, CARTRIDGE	1	
18	93604-12M07-00	PIN, DOWEL	2	
19	97080-08045-00	BOLT	4	
20	63V-44328-00-00	PLATE	2	
21	63V-45331-00-5B	HOUSING, BEARING	1	
22	90381-14020-00	.BUSH, SOLID	1	
23	93101-20048-00	.OIL SEAL	2	
24	63V-45315-A0-00	.PACKING, LOWER CASING	1	
25	93210-06ME6-00	.O-RING	1	
26	97080-08025-00	BOLT	2	
27	63V-44150-00-00	SHIFT CAM ASSY	1	UR SHORT
27	63V-44150-10-00	SHIFT CAM ASSEMBLY	1	UR LONG
28	63V-45510-11-00	DRIVE SHAFT ASSY	1	UR LONG
28	63V-45510-01-00	DRIVE SHAFT ASSY	1	UR SHORT
29	63V-45551-00-00	PINION (13T)	1	
30	90179-08M06-00	NUT	1	
31	6E7-45560-00-00	GEAR	1	
32	6E7-45571-00-00	GEAR 2 (27T)	1	
33	626-45577-00-01	SHIM (T:0.10MM)	1	UR
33	626-45577-00-05	SHIM (T:0.50MM)	1	UR
33	626-45577-00-03	SHIM (T:0.30MM)	1	UR
34	90201-17682-00	WASHER, PLATE	1	
35	683-45611-00-00	SHAFT, PROPELLER	1	
36	650-45635-00-00	PLUNGER, SHIFT	1	
37	682-45631-00-00	CLUTCH, DOG	1	
38	90250-05010-00	PIN, STRAIGHT	1	
39	648-45633-00-00	RING, CROSS PIN	1	
40	90501-14M06-00	SPRING, COMPRESSION	1	
41	683-45361-02-4D	CAP, LOWER CASING	1	
42	93306-00501-00	BEARING	1	
43	93315-317U2-00	BEARING	1	
44	93101-17054-00	.OIL SEAL	2	
45	93210-57M09-00	.O-RING	1	
46	93210-56M80-00	.O-RING	1	
47	97095-06020-00	BOLT	2	

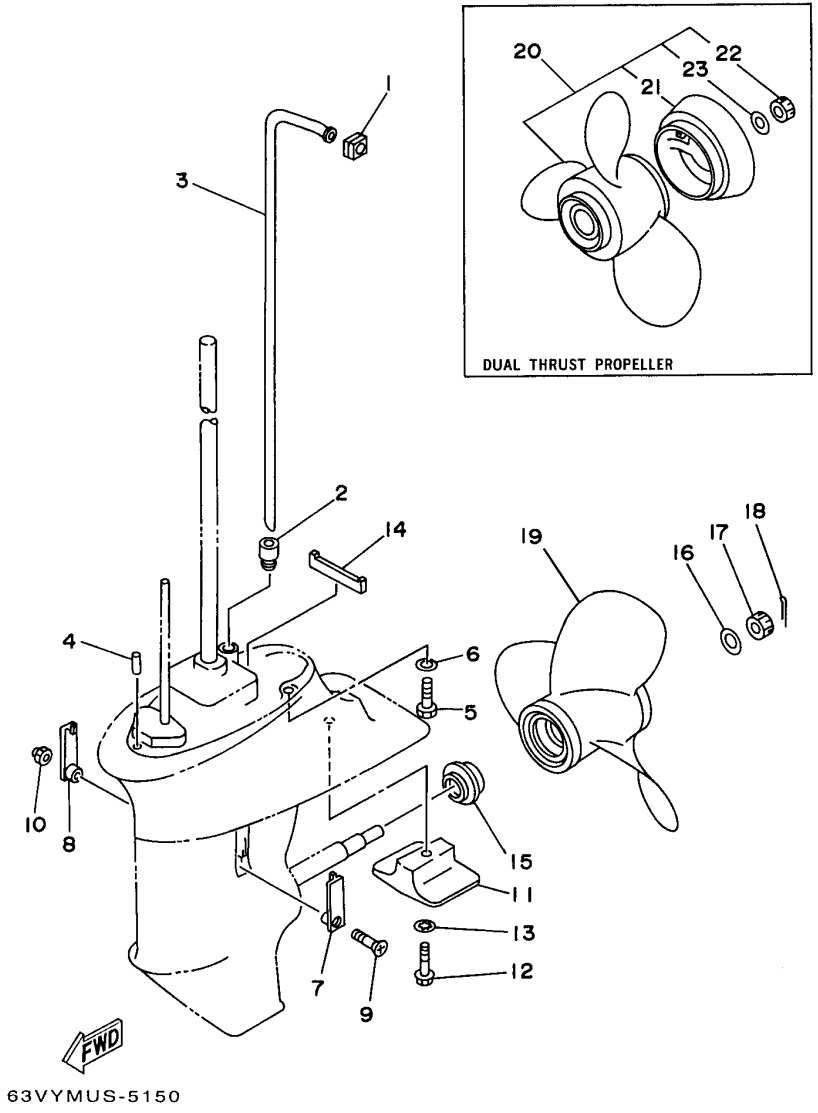
48	92995-06600-00	WASHER	2
----	----------------	--------	---

**Part Notes***9.9MLHW 1998 / LOWER CASING DRIVE 1*

<b>PART NUMBER</b>	<b>NOTE TEXT</b>
90430-08020-00 	OEM: This part number is among the Top 100 Most Popular Marine Maintenance Parts as of March 2014.

©2014 Yamaha Motor Corporation, U.S.A. All rights reserved.

9.9MLHW 1998 / LOWER CASING DRIVE 2



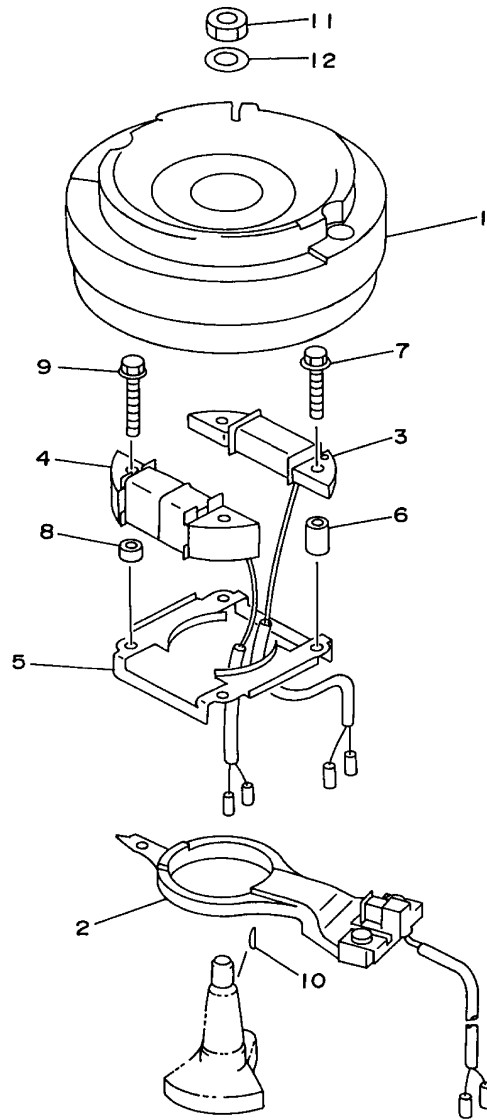
63VYMUS-5150

## Part List

9.9MLHW 1998 / LOWER CASING DRIVE 2

REF - NO	PART NUMBER	PART NAME	QUANTITY	REMARKS
1	63V-44365-10-00	DAMPER, WATER SEAL 1	1	
2	63V-44368-00-00	.RUBBER, WATER SEAL 4	1	
3	63V-44361-00-00	TUBE, WATER	1	UR SHORT
3	63V-44361-10-00	TUBE, WATER	1	UR LONG
4	93604-12M07-00	PIN, DOWEL	2	
5	97075-08030-00	BOLT	4	
6	92995-08600-00	WASHER	4	
7	6G1-45214-00-00	COVER, WATER INLET 1	1	
8	63V-45215-00-00	COVER, WATER INLET 2	1	
9	98180-05025-00	SCREW, OVAL HEAD	1	
10	90185-05002-00	NUT, NYLON	1	
11	61N-45251-00-00	ANODE	1	
12	95895-06030-00	BOLT, FLANGE	1	
13	92990-06300-00	WASHER, INTERNAL TOOTH	1	
14	63V-45375-00-00	DAMPER, SEAL	1	
15	6E7-45987-01-00	SPACER 1	1	
16	90201-10M01-00	WASHER, PLATE	1	
17	90171-10M01-00	NUT, CASTLE	1	
18	91490-30020-00	PIN. COTTER	1	
19	683-45949-00-EL	PROPELLER (3X9-1/2"X6-1/2"-J)	1	UR
19	683-45941-00-EL	PROPELLER (3X9-1/4"X12"-J)	1	UR
19	683-45952-00-EL	PROPELLER (3X9-1/4"X9-3/4"-J)	1	UR
19	683-45943-00-EL	PROPELLER (3X9-1/4"X10-1/2"-J)	1	UR
19	683-45945-00-EL	PROPELLER (3X9-1/4"X9"-J)	1	UR
19	683-45947-00-EL	PROPELLER (3X9-1/4"X8"-J)	1	UR
20	683-W4592-02-EL	PROPELLER (3X9-3/4"X6-1/2"-J)	1	UR DUAL THRUST
20	683-W4591-02-EL	PROPELLER (3X9-3/4"X8"-J)	1	UR DUAL THRUST
21	6E7-45986-00-00	.RING, DEFLECTOR	1	
22	90171-10M07-00	.NUT, CASTLE	1	
23	90201-10M02-00	.WASHER, PLATE	1	

9.9MLHW 1998 / GENERATOR



63VJA-5160

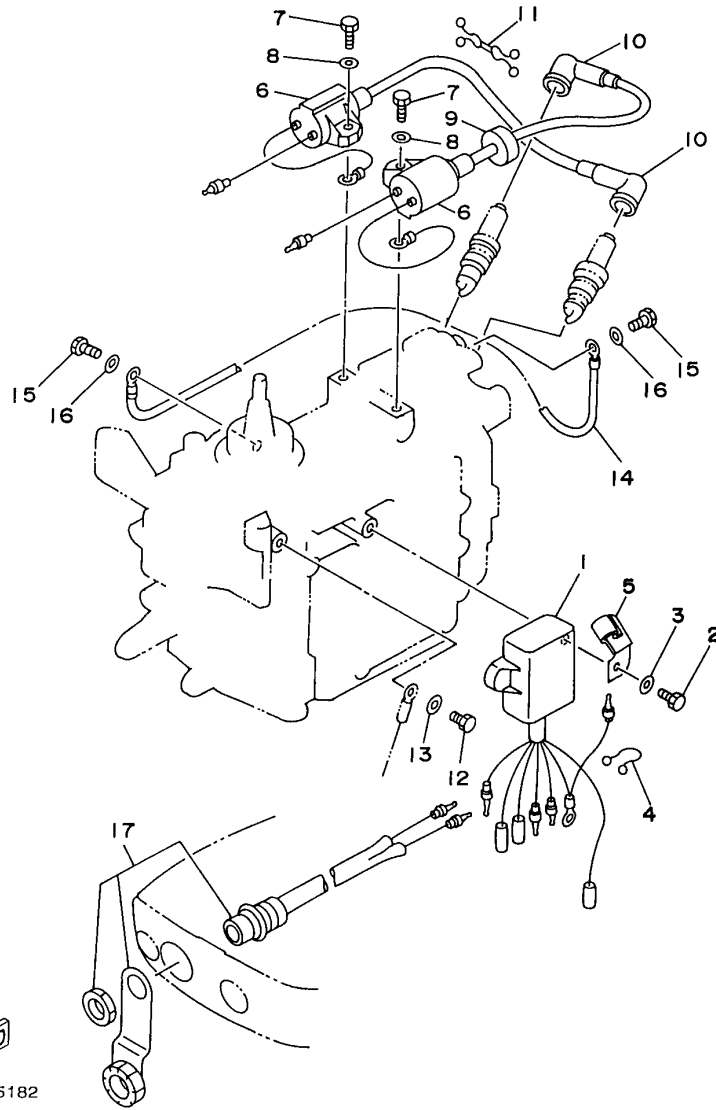


## Part List

9.9MLHW 1998 / GENERATOR

REF - NO	PART NUMBER	PART NAME	QUANTITY	REMARKS
1	63V-85550-10-00	ROTOR ASSY	1	UR MH
2	63V-85580-00-00	COIL, PULSER	1	
3	63V-85520-00-00	COIL, CHARGE	1	
4	63V-85533-00-00	COIL, LIGHTING	1	
5	63V-41611-00-00	RETAINER, MAGNETO BASE	1	
6	90387-06M53-00	COLLAR	2	
7	90105-06M68-00	BOLT, FLANGE	2	
8	90387-06M24-00	COLLAR	2	
9	90105-06M69-00	BOLT, FLANGE	2	
10	90280-05013-00	KEY, WOODRUFF	1	
11	90170-12066-00	NUT	1	
12	90201-12472-00	WASHER, PLATE	1	

9.9MLHW 1998 / ELECTRICAL 1



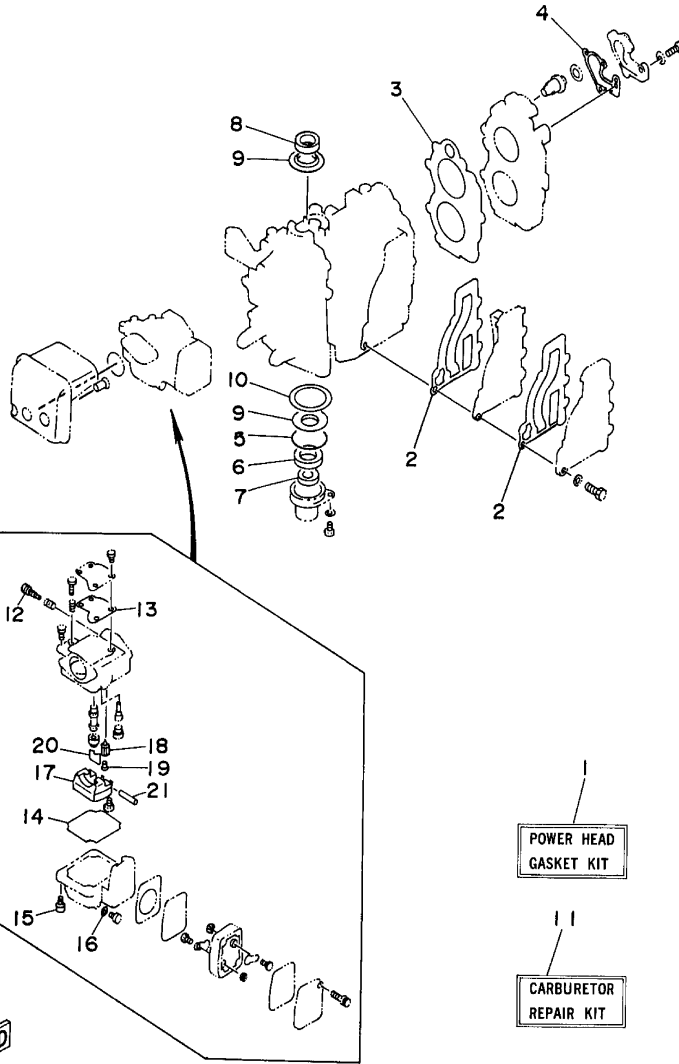
©2014 Yamaha Motor Corporation, U.S.A. All rights reserved.

## Part List

9.9MLHW 1998 / ELECTRICAL 1

REF - NO	PART NUMBER	PART NAME	QUANTITY	REMARKS
1	63V-85540-00-00	C.D.I. UNIT ASSEMBLY	1	
2	97095-06020-00	BOLT	2	
3	92995-06600-00	WASHER	2	
4	90464-15M11-00	CLAMP	1	
5	90465-08M61-00	CLAMP	1	
6	63V-85570-00-00	IGNITION COIL ASSY	2	
7	97095-06018-00	.BOLT	2	
8	92995-06600-00	WASHER	2	
9	90480-25161-00	GROMMET	1	
10	663-82370-01-00	PLUG CAP ASSY	2	
11	90464-08M02-00	CLAMP	1	
12	97095-06012-00	BOLT	1	
13	92995-06600-00	WASHER	1	
14	662-82519-00-00	WIRE, EARTH LEAD	1	
15	97095-06012-00	BOLT	2	
16	92995-06600-00	WASHER	2	
17	682-84381-00-00	.2P CONCENT	1	

9.9MLHW 1998 / REPAIR KIT 1



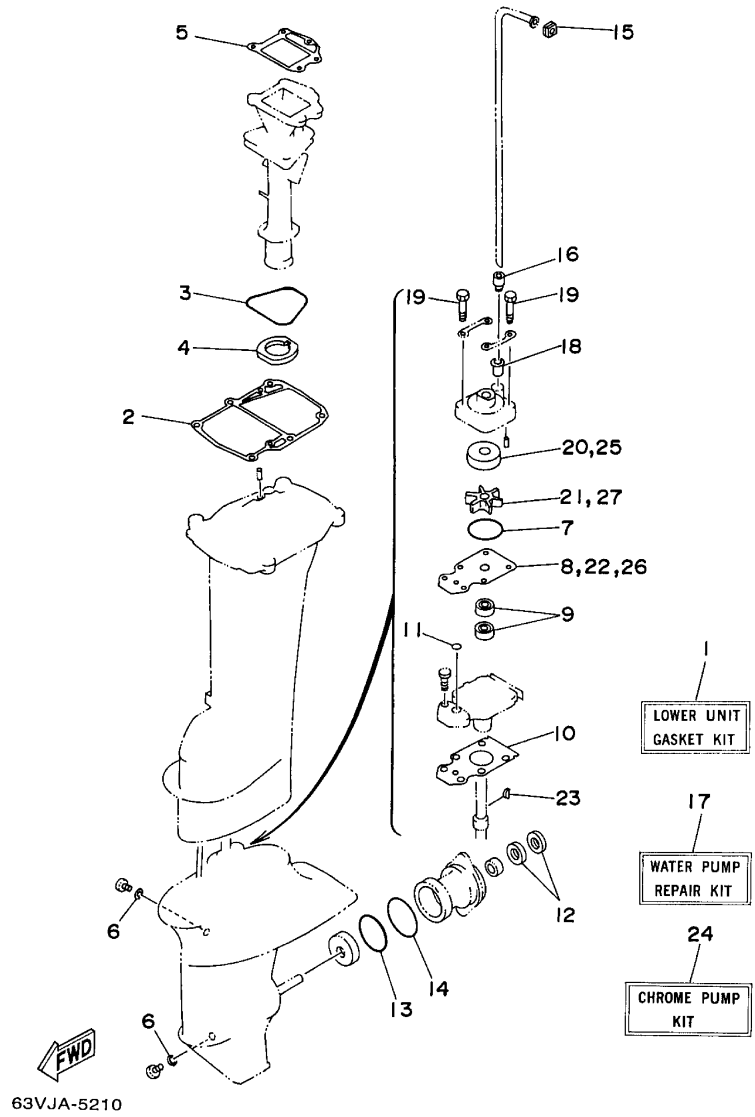
63VJA-5200

## Part List

9.9MLHW 1998 / REPAIR KIT 1

REF - NO	PART NUMBER	PART NAME	QUANTITY	REMARKS
1	63V-W0001-01-00	POWER HEAD GASKET KIT	1	
2	63V-41112-A0-00	.GASKET, EXHAUST INNER COVER	2	
3	63V-11181-A1-00	.GASKET, CYLINDER HEAD 1	1	
4	682-12414-A1-00	.GASKET, COVER	1	
5	93210-46M16-00	.O-RING	1	
6	93102-25M48-00	.OIL SEAL	1	
7	93101-13M11-00	.OIL SEAL	1	
8	93110-23M00-00	.OIL SEAL	1	
9	63V-11445-00-00	.SPACER	2	
10	90201-46M29-00	.WASHER, PLATE	1	
11	63V-W0093-00-00	CARBURETOR REPAIR KIT	1	
12	679-14923-00-00	.SCREW, PILOT	1	
13	63V-14126-00-00	.GASKET	1	
14	63V-14984-00-00	.GASKET, FLOAT CHAMBER	1	
15	97980-04114-00	.SCREW, WITH WASHER	4	
16	6G1-14398-00-00	.WASHER	1	
17	63V-14985-00-00	.FLOAT	1	
18	6G1-14546-00-00	.VALVE, NEEDLE	1	
19	676-14186-00-00	.PIN, FLOAT	1	
20	663-14159-00-00	.CLIP	1	
21	6H4-14548-00-00	.PIN, FLOAT ARM	1	

9.9MLHW 1998 / REPAIR KIT 2




## Part List

9.9MLHW 1998 / REPAIR KIT 2

REF - NO	PART NUMBER	PART NAME	QUANTITY	REMARKS
1	63V-W0001-21-00	LOWER UNIT GASKET KIT	1	
2	63V-45113-A1-00	.GASKET, UPPER CASING	1	
3	93210-71MH6-00	.O-RING	1	
4	63V-41135-00-00	.GASKET, EXHAUST MANIFOLD	1	
5	63V-41133-A1-00	.GASKET, EXHAUST MANIFOLD 1	1	
6	90430-08020-00	.GASKET	2	
7	93210-44398-00	.O-RING	1	
8	63V-44323-00-00	.OUTER PLATE, CARTRIDGE	1	
9	93101-20048-00	.OIL SEAL	2	
10	63V-45315-A0-00	.PACKING, LOWER CASING	1	
11	93210-06ME6-00	.O-RING	1	
12	93101-17054-00	.OIL SEAL	2	
13	93210-57M09-00	.O-RING	1	
14	93210-56M80-00	.O-RING	1	
15	63V-44365-10-00	.DAMPER, WATER SEAL 1	1	
16	63V-44368-00-00	.RUBBER, WATER SEAL 4	1	
17	63V-W0078-00-00	WATER PUMP REPAIR KIT	1	
18	647-44366-00-00	.DAMPER, WATER SEAL	1	
19	97080-08045-00	.BOLT	4	
20	63V-44322-00-00	.INSERT, CARTRIDGE	1	
21	63V-44352-00-00	.IMPELLER	1	
22	63V-44323-00-00	.OUTER PLATE, CARTRIDGE	1	
23	664-44338-00-00	.KEY, WOODRUFF	1	
24	63V-W0078-0A-00	CHROME PUMP KIT	1	
25	63V-44322-40-00	.INSERT, CARTRIDGE	1	
26	63V-44323-40-00	.OUTER PLATE, CARTRIDGE	1	
27	63V-44352-00-00	.IMPELLER	1	

## Part Notes

9.9MLHW 1998 / REPAIR KIT 2

PART NUMBER	NOTE TEXT
90430-08020-00 	OEM: This part number is among the Top 100 Most Popular Marine Maintenance Parts as of March 2014.

©2014 Yamaha Motor Corporation, U.S.A. All rights reserved.

©2014 Yamaha Motor Corporation, U.S.A. All rights reserved.