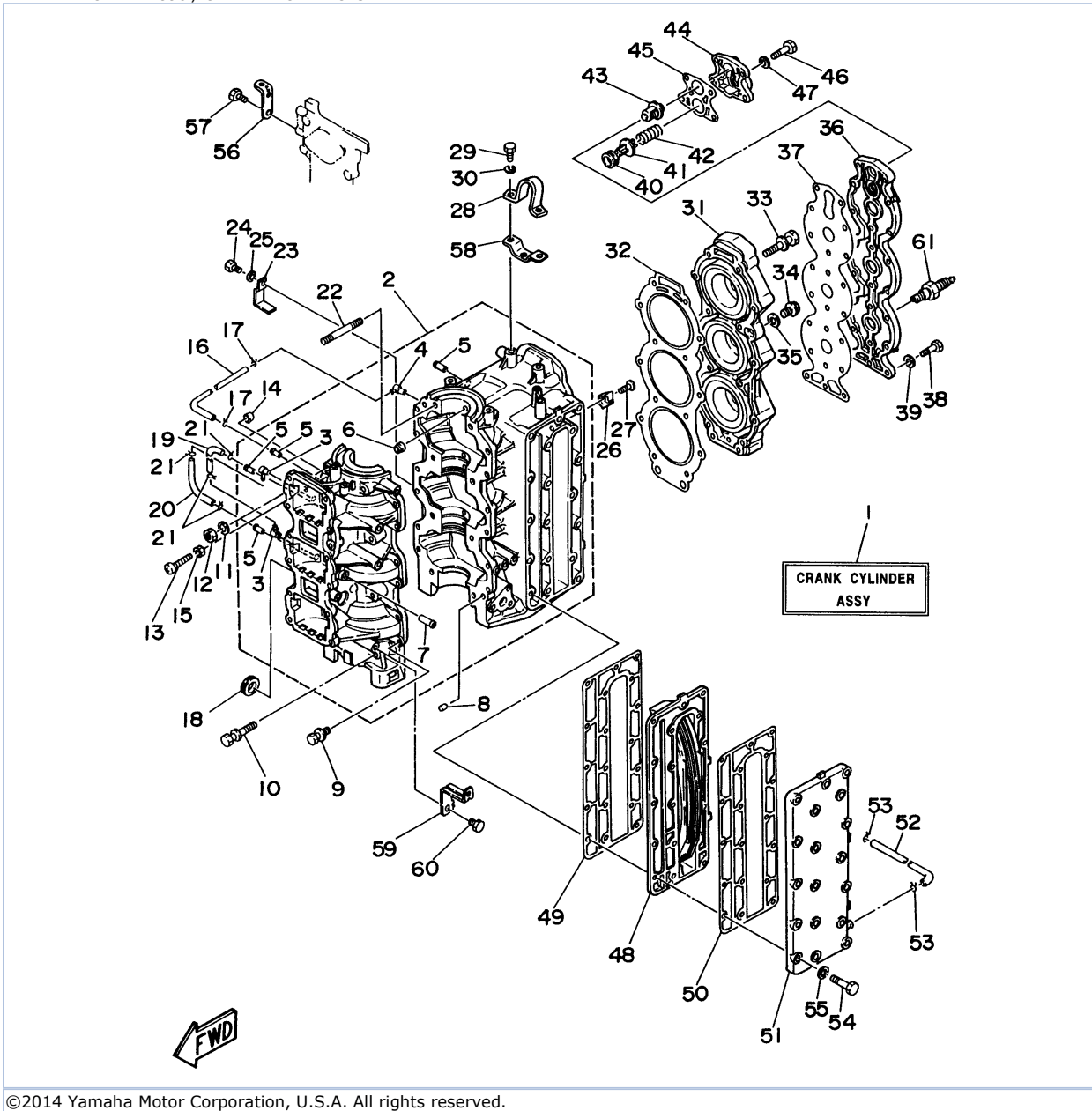


P75TLHW 1998 / CYLINDER CRANKCASE



©2014 Yamaha Motor Corporation, U.S.A. All rights reserved.

Part List



P75TLHW 1998 / CYLINDER CRANKCASE

REF - NO	PART NUMBER	PART NAME	QUANTITY	REMARKS
1	6H1-W0090-43-4D	CRANK CYLINDER ASSY	1	
2	6H1-15100-02-94	CRANKCASE ASSY (N.O/I)	1	
3	688-11370-00-00	.CHECK VALVE ASSY	2	
4	650-11370-00-00	.CHECK VALVE ASSY	1	
5	624-14485-00-00	.PIPE, JOINT	4	
6	663-11518-01-00	.LOCK BEARING	3	
7	652-24461-00-00	.PIPE, JOINT 4	1	
8	93608-12063-00	PIN, DOWEL	2	
9	90119-06M12-00	BOLT, WITH WASHER	12	
10	90119-10M07-00	BOLT, WITH WASHER	6	
11	90201-10430-00	WASHER, PLATE	2	
12	95313-10600-00	NUT	2	
13	90157-06014-00	SCREW, PAN HEAD	1	
14	688-44194-00-00	CAP	1	
15	95303-06700-00	NUT	1	
16	90445-07260-00	HOSE (L276)	1	
17	90467-06016-00	CLIP	2	
18	90480-24M04-00	GROMMET	1	
19	90445-07M00-00	HOSE (L100)	1	
20	90445-07M23-00	HOSE (L408)	1	
21	90467-06016-00	CLIP	4	
22	90116-10M06-00	BOLT, STUD	2	
23	90465-12M03-00	CLAMP	1	
24	97095-06014-00	BOLT	1	
25	92995-06100-00	WASHER, SPRING	1	
26	688-11325-00-00	ANODE	2	
27	98780-04015-00	SCREW, FLAT HEAD	2	
28	688-11119-00-00	HANGER, ENGINE	1	
29	97013-08020-00	BOLT	2	
30	92903-08100-00	WASHER, SPRING	2	
31	6H1-11111-01-94	HEAD, CYLINDER 1	1	
32	688-11181-A1-00	.GASKET, CYLINDER HEAD 1	1	
33	90119-08M21-00	BOLT, WITH WASHER	14	
34	90340-14M00-00	.PLUG, STRAIGHT SCREW	1	
35	90430-14115-00	.GASKET	1	
36	688-11191-00-9M	COVER, CYLINDER HEAD 1	1	
37	688-11193-A1-00	GASKET, HEAD COVER 1	1	
38	97013-06025-00	BOLT	18	
39	92903-06600-00	WASHER, PLATE	18	
40	90480-20M05-00	GROMMET	1	
41	688-12416-00-00	VALVE, PRESSURE CONTROL	1	
42	90501-16M11-00	SPRING, COMPRESSION	1	
43	688-12411-10-00	THERMOSTAT	1	
44	688-12413-00-9M	COVER, THERMOSTAT	1	
45	688-12414-A1-00	.GASKET, COVER	1	
46	97013-06035-00	BOLT	4	
47	92903-06600-00	WASHER, PLATE	4	
48	688-41111-00-9M	INNER COVER, EXHAUST	1	
49	688-41112-A0-00	GASKET, EXHAUST INNER COVER	1	
50	688-41114-A0-00	.GASKET, EXHAUST OUTER COVER	1	
51	688-41113-00-9M	OUTER COVER, EXHAUST	1	
52	663-24312-01-00	PIPE 2	1	
53	90467-08004-00	CLIP	2	

54	97013-08040-00	BOLT	18	
55	92903-08600-00	WASHER, PLATE	18	
56	6H1-15772-00-00	STAY 2	1	
57	97095-06012-00	BOLT	2	
58	6H1-15773-00-00	STAY 3	1	
59	6H1-21796-00-00	HINGE	1	
60	97095-08012-00	BOLT	1	
61	NGK-B8HS1-00-00	PLUG, SPARK (NGK B8HS-10)	3	

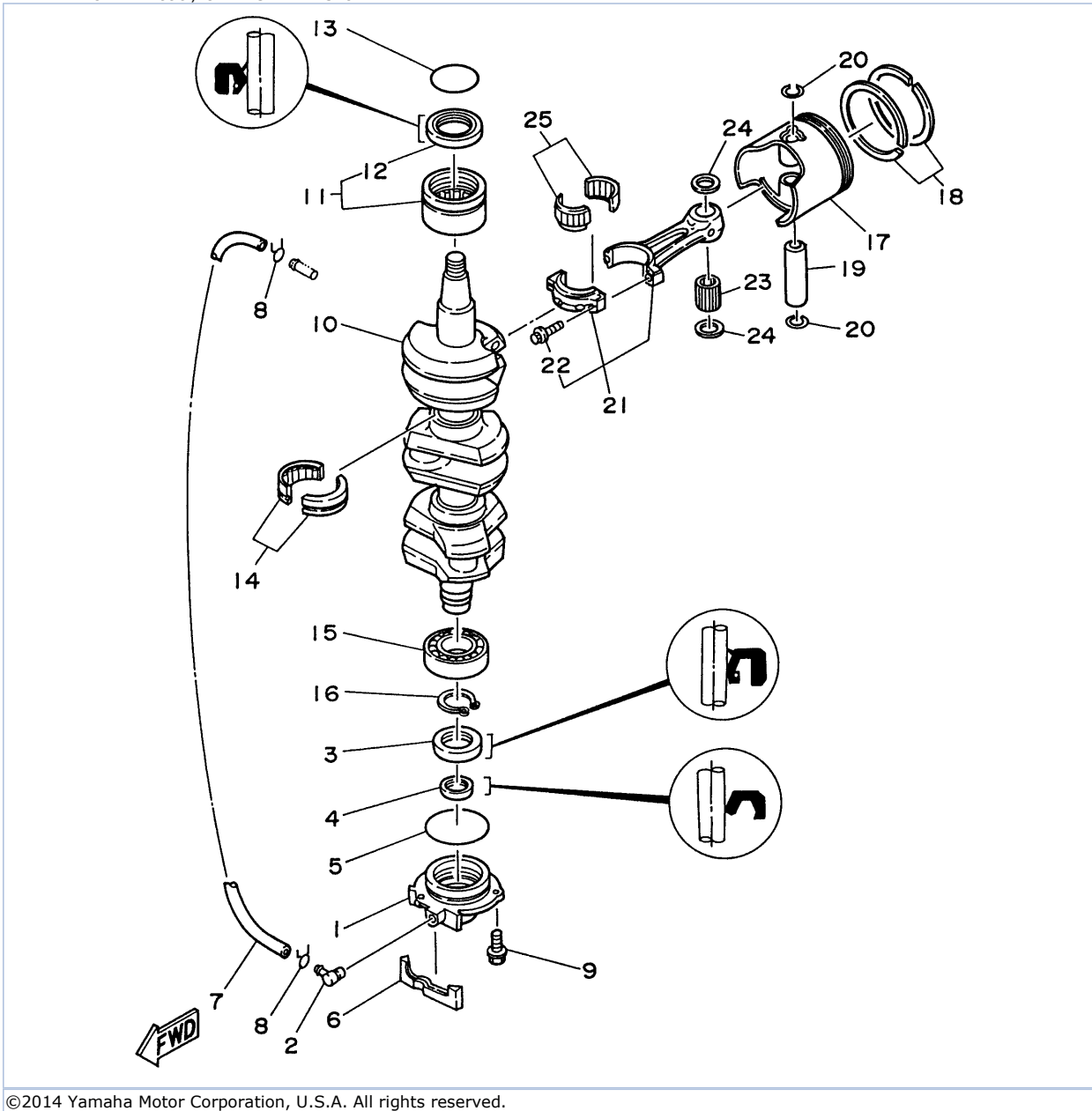
Part Notes

P75TLHW 1998 / CYLINDER CRANKCASE

PART NUMBER		NOTE TEXT
90480-20M05-00		OEM: This part number is among the Top 100 Most Popular Marine Maintenance Parts as of March 2014.
688-12414-A1-00		OEM: This part number is among the Top 100 Most Popular Marine Maintenance Parts as of March 2014.

©2014 Yamaha Motor Corporation, U.S.A. All rights reserved.

P75TLHW 1998 / CRANKSHAFT PISTON




Part List

P75TLHW 1998 / CRANKSHAFT PISTON

REF - NO	PART NUMBER	PART NAME	QUANTITY	REMARKS
1	6H1-15359-01-94	HOUSING, OIL SEAL	1	
2	688-11370-00-00	CHECK VALVE ASSY	1	
3	93102-30M05-00	.OIL SEAL	1	
4	93104-20M02-00	OIL SEAL	1	
5	93210-62269-00	O-RING	1	
6	688-15379-00-00	SEAL, CRANKCASE	1	
7	90445-07M86-00	HOSE (L460)	1	
8	90467-06016-00	CLIP	2	
9	97595-06520-00	BOLT, WITH WASHER	3	
10	688-11411-01-00	CRANKSHAFT	1	
11	93310-636U4-00	BEARING	1	
12	93102-36M02-00	.OIL SEAL	1	
13	93210-46M16-00	.O-RING	1	
14	93310-835U8-00	BEARING	2	
15	93306-206U5-00	BEARING	1	
16	93410-32M00-00	CIRCLIP	1	
17	6H1-11635-03-00	PISTON (0.25MM O/S)	3	AP
17	6H1-11636-03-00	PISTON (0.50MM O/S)	3	AP
17	6H1-11631-03-95	PISTON (STD)	3	
18	688-11604-A0-00	PISTON RING SET (0.25MM O/S)	3	AP
18	688-11605-A0-00	PISTON RING SET (0.50MM O/S)	3	AP
18	688-11603-A0-00	PISTON RING SET (STD)	3	
19	663-11633-00-00	PIN, PISTON	3	
20	688-11634-10-00	CLIP, PISTON PIN	6	
21	688-11650-00-00	CONNECTING ROD ASSEMBLY	3	
22	90109-08M61-00	.BOLT	2	
23	93603-21111-00	PIN, DOWEL	84	
24	90201-20417-00	WASHER, PLATE	6	
25	93310-730V8-00	BEARING	3	

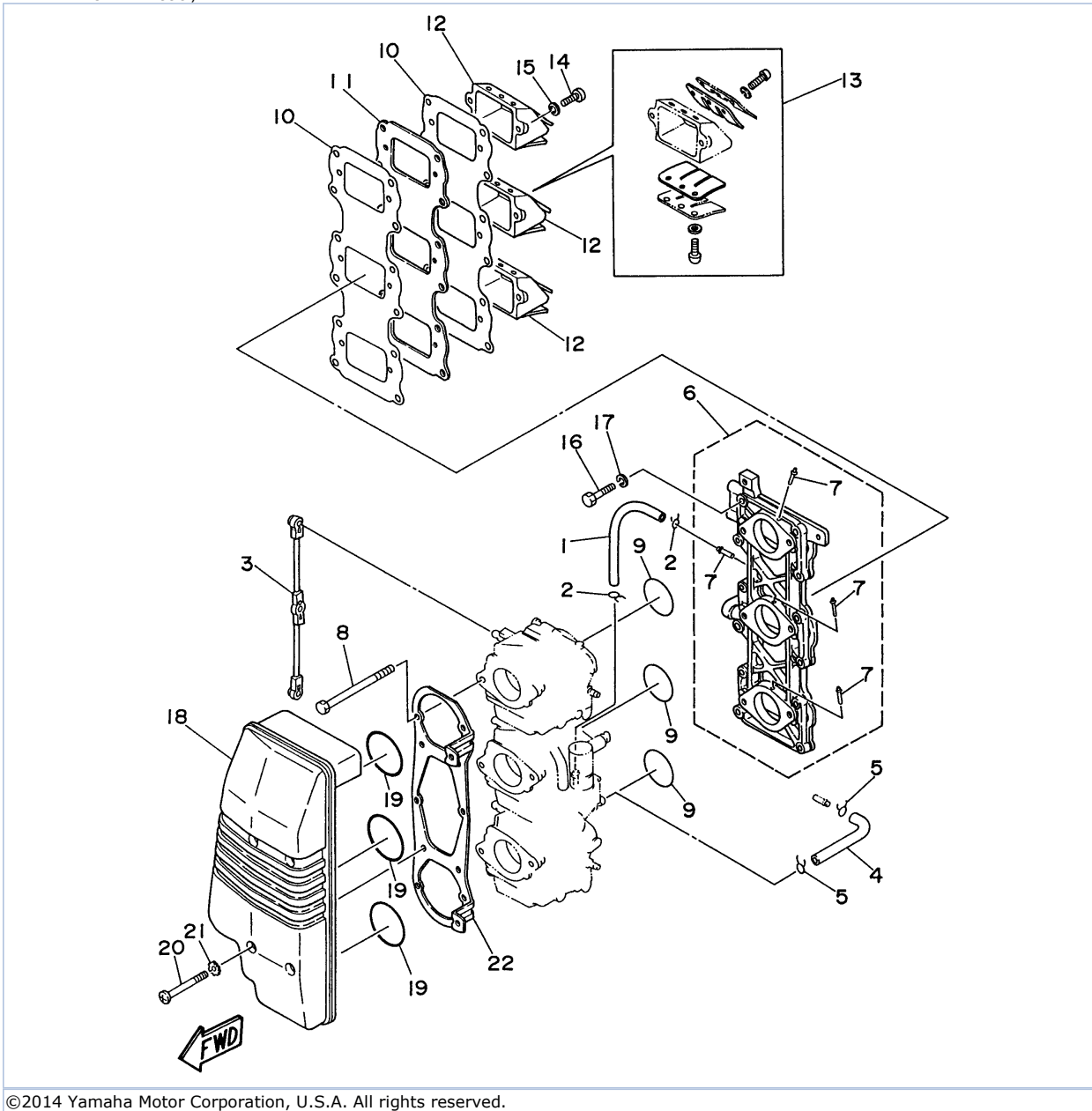
Part Notes

P75TLHW 1998 / CRANKSHAFT PISTON

PART NUMBER	NOTE TEXT
93603-21111-00 	OEM: This part number is among the Top 100 Most Popular Marine Maintenance Parts as of March 2014.

©2014 Yamaha Motor Corporation, U.S.A. All rights reserved.

P75TLHW 1998 / INTAKE

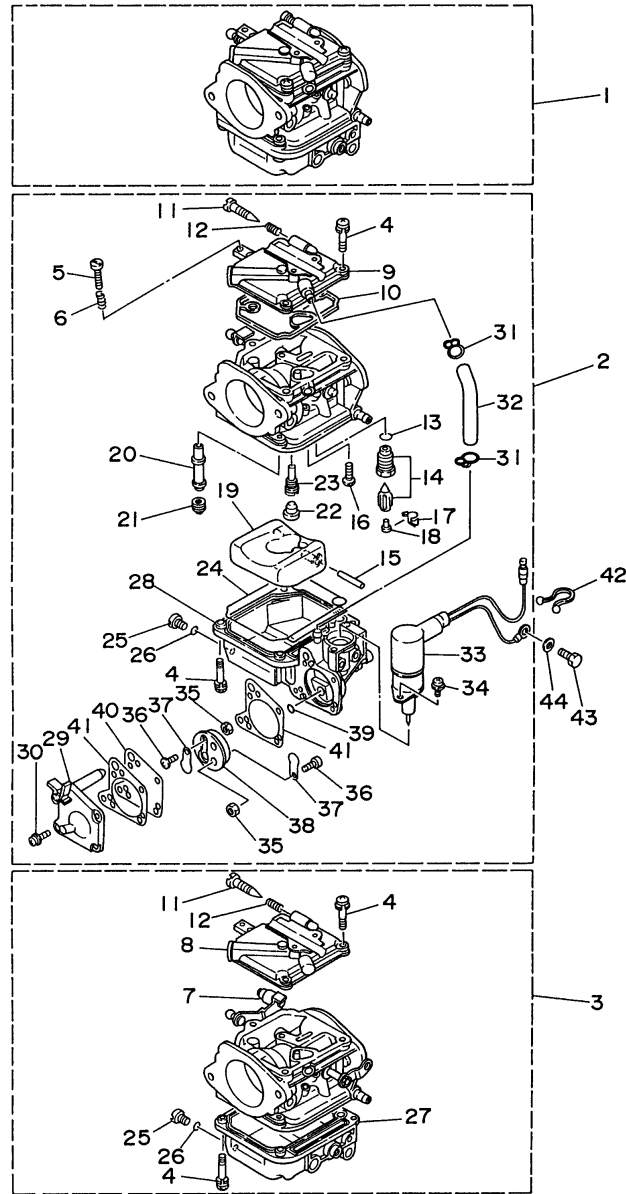


Part List

P75TLHW 1998 / INTAKE

REF - NO	PART NUMBER	PART NAME	QUANTITY	REMARKS
1	90445-07M23-00	HOSE (L408)	1	
2	90467-06016-00	CLIP	2	
3	688-41217-01-00	ROD, ACCEL. LEVER	1	
4	6H3-14349-00-00	.PIPE	1	
5	90467-08004-00	CLIP	2	
6	6H1-13641-02-94	MANIFOLD 1	1	
7	6H1-14485-00-00	.PIPE, JOINT	4	
8	97095-06095-00	BOLT	6	
9	93210-39ME4-00	.O-RING	3	
10	688-13621-A1-00	.GASKET, VALVE SEAT	2	
11	688-13624-00-00	PLATE, REED VALVE	1	
12	688-13610-00-00	REED VALVE ASSY	3	
13	688-W0004-00-00	.REED SET	1	
14	97880-05020-00	SCREW, PAN HEAD	6	
15	92990-05100-00	.WASHER, SPRING	6	
16	97013-06030-00	BOLT	12	
17	92903-06100-00	WASHER, SPRING	12	
18	6H1-14440-02-00	SILENCER ASSY, INTAKE	1	
19	93210-46044-00	O-RING	3	
20	97885-06050-00	SCREW, PAN HEAD	4	
21	90209-06M05-00	WASHER	4	
22	6H1-14413-02-00	STAY	1	

P75TLHW 1998 / CARBURETOR



©2014 Yamaha Motor Corporation, U.S.A. All rights reserved.



Part List

P75TLHW 1998 / CARBURETOR

REF - NO	PART NUMBER	PART NAME	QUANTITY	REMARKS
1	6H0-14301-07-00	CARBURETOR ASSEMBLY 1	1	
2	6H0-14302-07-00	CARBURETOR ASSEMBLY 2	1	
3	6H0-14303-07-00	CARBURETOR ASSEMBLY 3	1	
4	97980-04114-00	.SCREW, WITH WASHER	21	
5	63V-14523-00-00	.SCREW, STOP	1	CENTER
6	90501-10326-00	.SPRING, COMPRESSION	1	CENTER
7	6H2-14578-00-00	.COLLAR	1	LOWER
8	6H4-14146-00-00	.PLATE	2	UPPER/ LOWER
9	6H3-14146-10-00	.PLATE	1	CENTER
10	6H4-14147-00-00	.O-RING	3	
11	692-14923-00-00	.SCREW, PILOT	3	
12	697-14555-00-00	.SPRING	3	
13	93210-04228-00	.O-RING	3	
14	692-14590-00-00	.VALVE SEAT	3	
15	6H4-14548-00-00	.PIN, FLOAT ARM	3	
16	98580-04008-00	.SCREW, PAN HEAD	3	
17	663-14159-00-00	.CLIP	3	
18	676-14186-00-00	.PIN, FLOAT	3	
19	6H4-14985-01-00	.FLOAT	3	
20	6H1-14947-75-00	.JET, NEEDLE	3	
21	6H1-14943-39-00	.JET, MAIN (#160)	3	
22	676-14966-00-00	.CAP	3	
23	6H1-14948-18-00	.JET (#78)	3	
24	6H4-14984-00-00	.GASKET, FLOAT CHAMBER	3	
25	6H3-14992-00-00	.SCREW, DRAIN	3	
26	93210-04230-00	.O-RING	3	
27	6H4-14980-00-00	.BODY, FLOAT CHAMBER	2	UPPER/ LOWER
28	6H3-14980-10-00	.BODY, FLOAT CHAMBER	1	CENTER
29	6H3-24452-10-00	.COVER	1	CENTER
30	6H4-14567-00-00	.SCREW	4	CENTER
31	6H3-14137-00-00	.CLIP	2	CENTER
32	6H3-14349-00-00	.PIPE	1	CENTER
33	6H3-14380-00-00	.STARTER ASSY	1	CENTER
34	98580-04008-00	.SCREW, PAN HEAD	2	CENTER
35	95380-03600-00	.NUT	2	CENTER
36	98980-03006-00	.SCREW, BIND	2	CENTER
37	6L5-24421-00-00	.VALVE, CHECK	2	CENTER
38	6H4-24413-00-00	.BODY 2	1	CENTER
39	6H4-24486-00-00	.O-RING	1	CENTER
40	6H3-24411-10-00	.DIAPHRAGM	1	CENTER
41	6H3-24434-10-00	.GASKET, BODY	2	CENTER
42	90465-18147-00	CLAMP	1	
43	97013-06012-00	BOLT	1	
44	92990-06600-00	WASHER, PLATE	1	

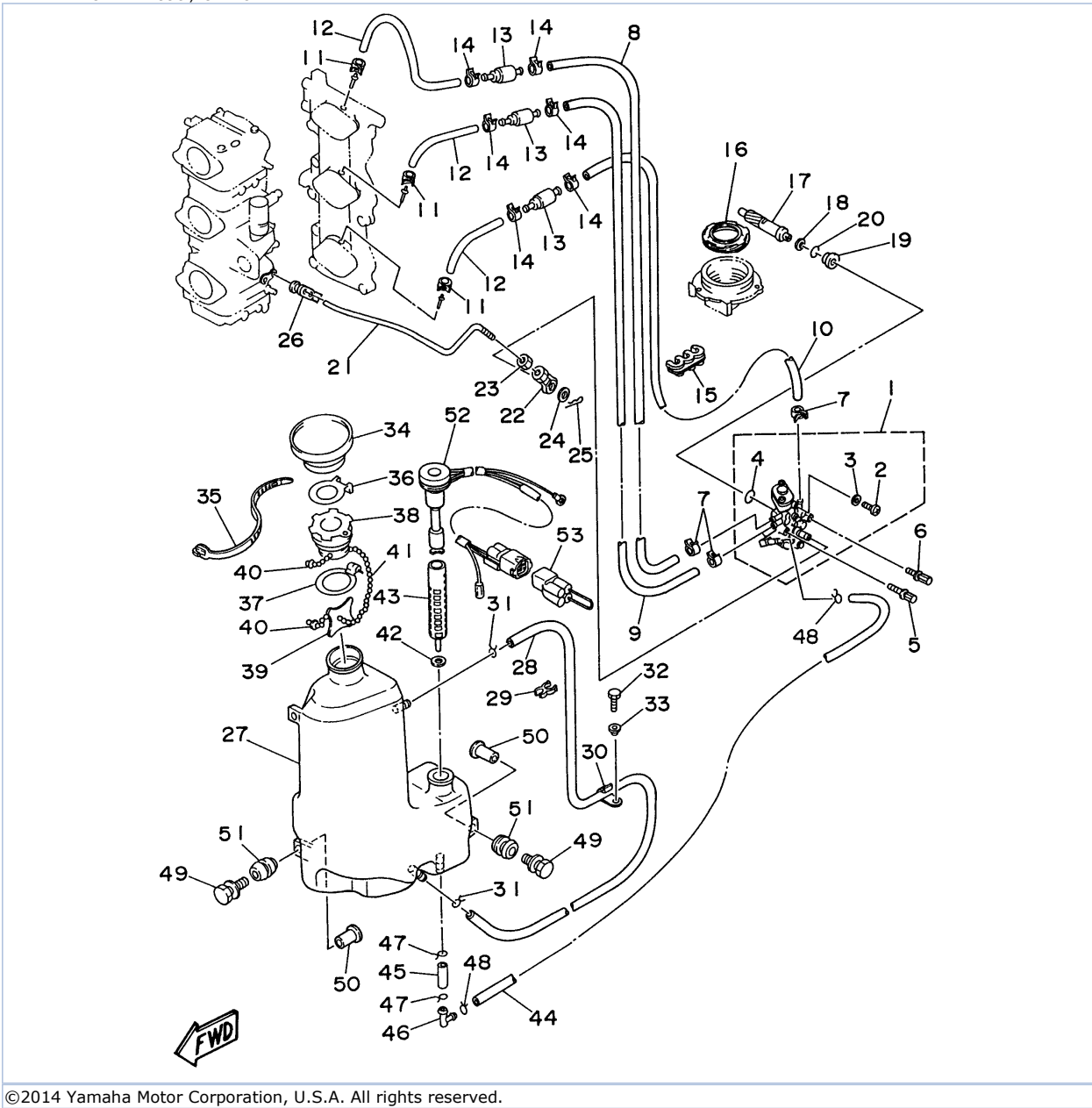
Part Notes

P75TLHW 1998 / CARBURETOR

PART NUMBER	NOTE TEXT
6H3-14380-00-00	 OEM: The O-Ring for sealing this part to the carburetor body is not shown separately. The Part Number for the O-Ring is 93210-17001-00.
92990-06600-00	 OEM: This part number is among the Top 100 Most Popular Marine Maintenance Parts as of March 2014.

©2014 Yamaha Motor Corporation, U.S.A. All rights reserved.

P75TLHW 1998 / OIL PUMP



©2014 Yamaha Motor Corporation, U.S.A. All rights reserved.


Part List

P75TLHW 1998 / OIL PUMP

REF - NO	PART NUMBER	PART NAME	QUANTITY	REMARKS
1	6H1-13200-02-00	OIL INJECTION PUMP ASSY	1	
2	6R3-13471-00-00	.PLUG, DRAIN	1	
3	6L2-13475-00-00	.GASKET	1	
4	93210-19MA7-00	.O-RING	1	
5	90109-06M39-00	BOLT	1	
6	90109-06M40-00	BOLT	1	
7	90468-07M02-00	CLIP	3	
8	90445-07M90-00	HOSE (L390)	1	
9	90445-07240-00	HOSE (L330)	1	
10	90445-07M44-00	HOSE (L250)	1	
11	90468-07M02-00	CLIP	3	
12	90445-07M87-00	HOSE (L110)	3	
13	6E9-13183-70-00	VALVE, CHECK	3	
14	90468-07M02-00	CLIP	6	
15	90464-07M05-00	CLAMP	1	
16	6H1-11536-00-00	GEAR, DRIVE	1	
17	6H1-11537-01-00	GEAR, DRIVEN	1	
18	90201-08M93-00	WASHER, PLATE	1	
19	6H1-13117-01-00	COLLAR, DISTANCE	1	
20	93210-13M04-00	O-RING	1	
21	6H1-41241-02-00	ROD, LINK	1	
22	6H1-41237-00-00	JOINT, LINK	1	
23	95380-05600-00	NUT	1	
24	90202-05088-00	WASHER, PLATE	1	
25	90468-05M03-00	CLIP	1	
26	6E9-41237-00-00	JOINT, LINK	1	
27	6H1-21707-07-00	OIL TANK COMP.	1	
28	90445-11M09-00	HOSE (L600)	1	
29	90464-11M24-00	CLAMP	1	
30	90465-11M27-00	CLAMP	1	
31	90467-11M08-00	CLIP	2	
32	97095-06016-00	BOLT	1	
33	90387-06M31-00	.COLLAR	1	
34	6H1-21752-00-00	TUBE, FILLER 1	1	
35	90465-13M30-00	CLAMP	1	
36	63D-2176M-00-00	HOOK	1	
37	63D-2175R-00-00	HOOK, BAND	1	
38	6H4-21770-00-00	OIL TANK CAP ASSY	1	
39	6J8-21758-00-00	WASHER, SPECIAL 2	1	
40	6H1-21757-00-00	WASHER, SPECIAL 1	2	
41	6H1-24633-00-00	CHAIN, BALL	1	
42	6J8-13414-00-00	GASKET, STRAINER COVER	1	
43	6H1-13411-00-00	STRAINER, OIL	1	
44	6H1-21766-01-00	PIPE, OIL	1	
45	90445-08M01-00	HOSE (L30)	1	
46	6H1-13435-00-00	NIPPLE	1	
47	90467-12M11-00	CLIP	2	
48	90467-08004-00	CLIP	2	
49	90119-06M88-00	BOLT, WITH WASHER	3	
50	624-42542-00-00	PIPE	3	
51	6A0-82317-00-00	DAMPER, IGNITION COIL	3	
52	6H1-85720-15-00	OIL LEVEL GAUGE ASSY	1	
53	6R5-82582-B0-00	COVER, WIRE HARNESS	1	AP

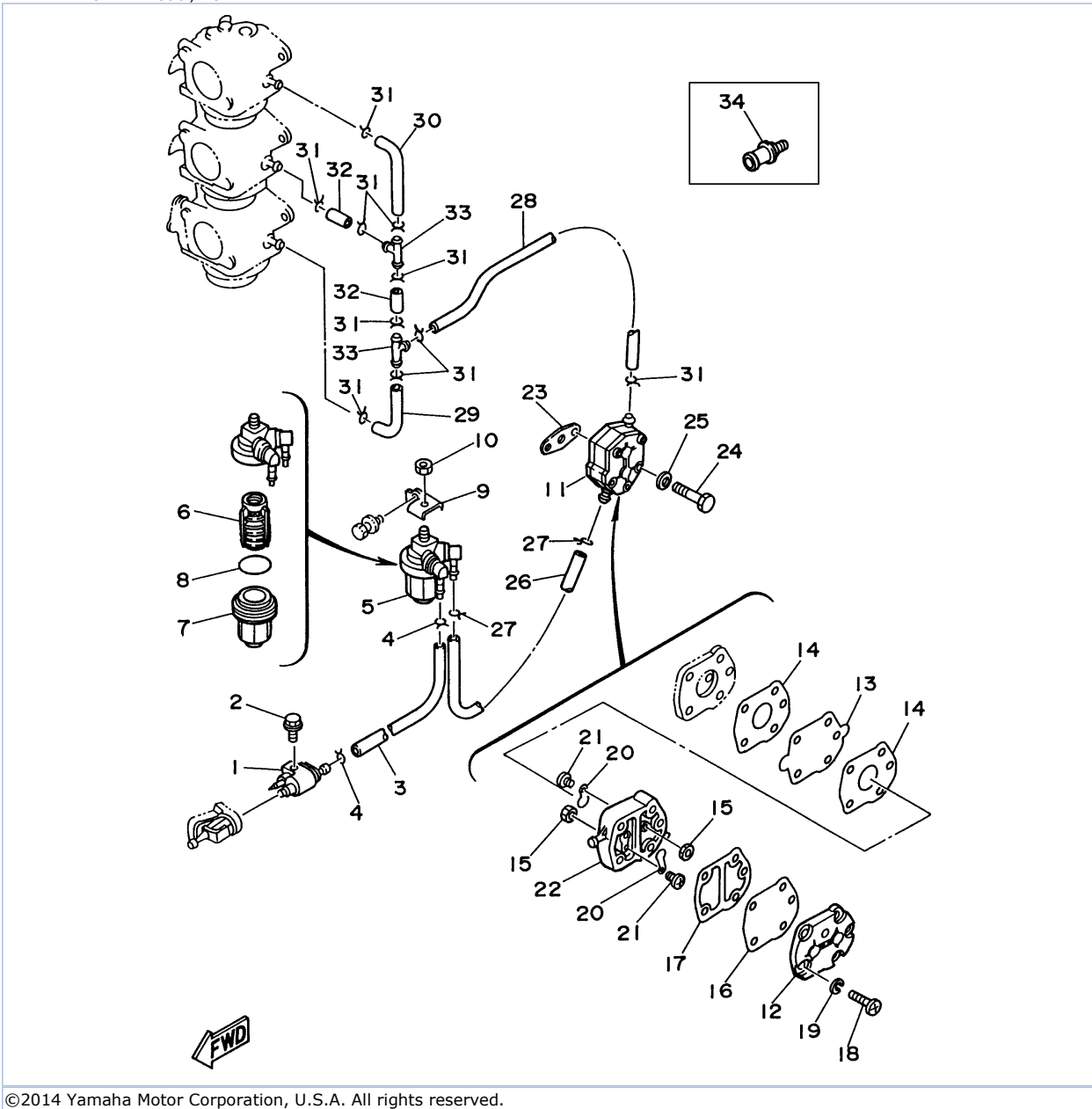
Part Notes

P75TLHW 1998 / OIL PUMP

PART NUMBER		NOTE TEXT
6H1-41237-00-00		OEM: This part number is among the Top 100 Most Popular Marine Maintenance Parts as of March 2014.

©2014 Yamaha Motor Corporation, U.S.A. All rights reserved.

P75TLHW 1998 / FUEL



©2014 Yamaha Motor Corporation, U.S.A. All rights reserved.



Part List

P75TLHW 1998 / FUEL

REF - NO	PART NUMBER	PART NAME	QUANTITY	REMARKS
1	6G1-24304-02-00	FUEL PIPE JOINT COMP. 1	1	
2	97595-06520-00	BOLT, WITH WASHER	1	
3	90445-09105-00	HOSE (L300)	1	
4	90467-08004-00	CLIP	2	
5	61N-24560-00-00	FILTER ASSY	1	
6	61N-24563-00-00	.ELEMENT, FILTER	1	
7	61N-24521-00-00	.CUP, FILTER	1	
8	93210-32738-00	.O-RING	1	
9	6H1-24566-00-00	BRACKET, FILTER	1	
10	95380-08600-00	NUT	1	
11	692-24410-00-00	FUEL PUMP ASSY	1	
12	6A0-24413-00-00	.BODY 2	1	
13	692-24411-00-00	.DIAPHRAGM	1	
14	648-24434-01-00	.GASKET, BODY	2	
15	95380-03600-00	.NUT	2	
16	663-24411-00-00	.DIAPHRAGM	1	
17	648-24435-02-00	.GASKET, BODY 2	1	
18	98503-05028-00	.SCREW, PAN HEAD	3	
19	92990-05100-00	.WASHER, SPRING	3	
20	6A0-24421-01-00	.VALVE, CHECK	2	
21	6A0-14325-00-00	.SCREW, PAN HEAD	2	
22	6A0-24412-02-00	.BODY 1	1	
23	650-24431-A0-00	GASKET, FUEL PUMP 1	1	
24	97095-06040-00	.BOLT	2	
25	92995-06600-00	WASHER	2	
26	6H1-24314-00-00	PIPE 4	1	
27	90467-08004-00	CLIP	2	
28	90445-09097-00	HOSE (L250)	1	
29	688-24313-00-00	PIPE 3	1	
30	688-24314-00-00	PIPE 4	1	
31	90467-08004-00	CLIP	10	
32	90445-09220-00	HOSE (L30)	2	
33	688-24378-00-00	PIPE, JOINT 3	2	
34	6E0-28193-00-94	PLUG, WATER CHECK	1	AP

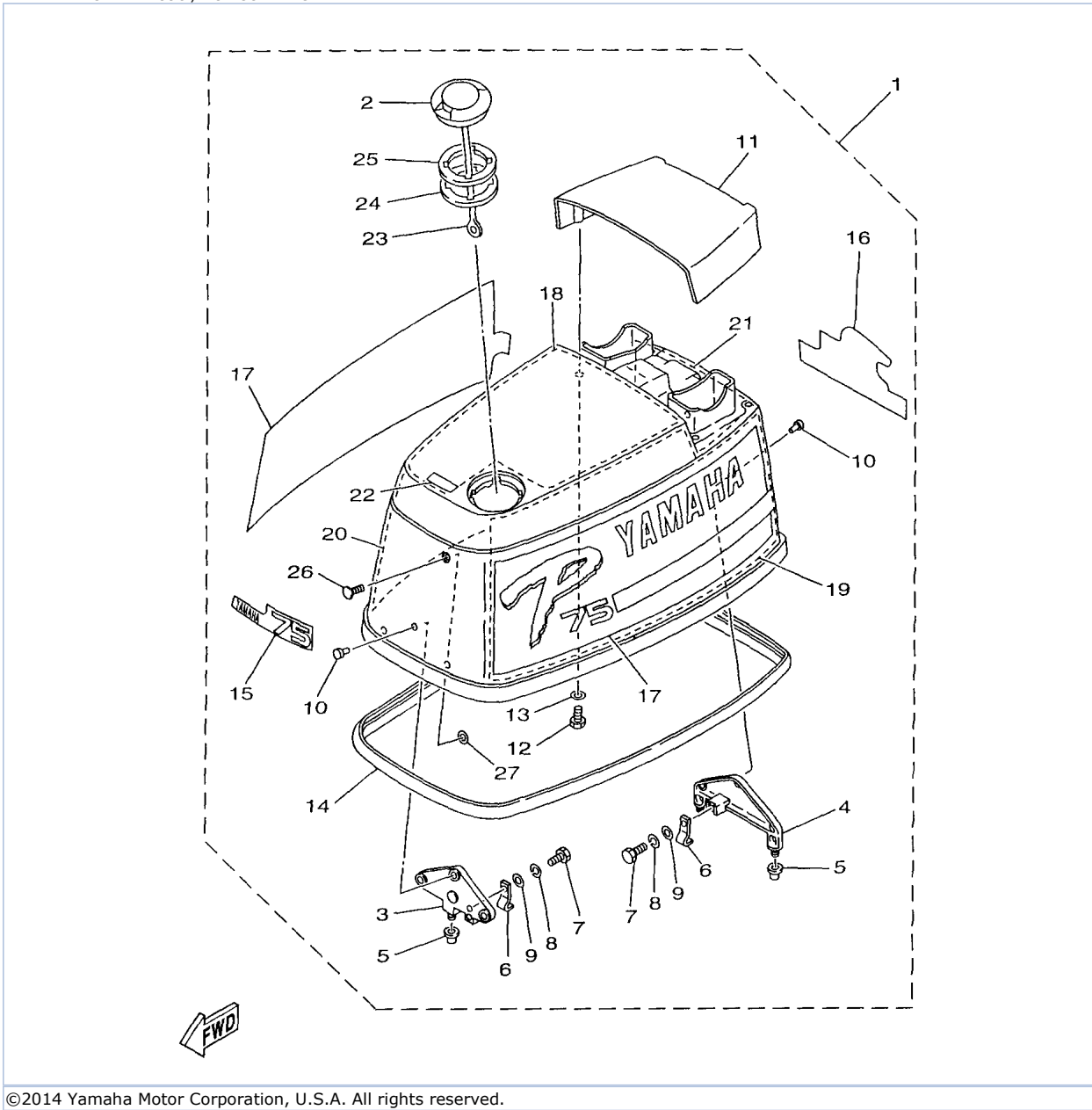
Part Notes

P75TLHW 1998 / FUEL

PART NUMBER		NOTE TEXT
692-24410-00-00		OEM: This part number is among the Top 100 Most Popular Marine Maintenance Parts as of March 2014.
650-24431-A0-00		OEM: This part number is among the Top 100 Most Popular Marine Maintenance Parts as of March 2014.

©2014 Yamaha Motor Corporation, U.S.A. All rights reserved.

P75TLHW 1998 / TOP COWLING



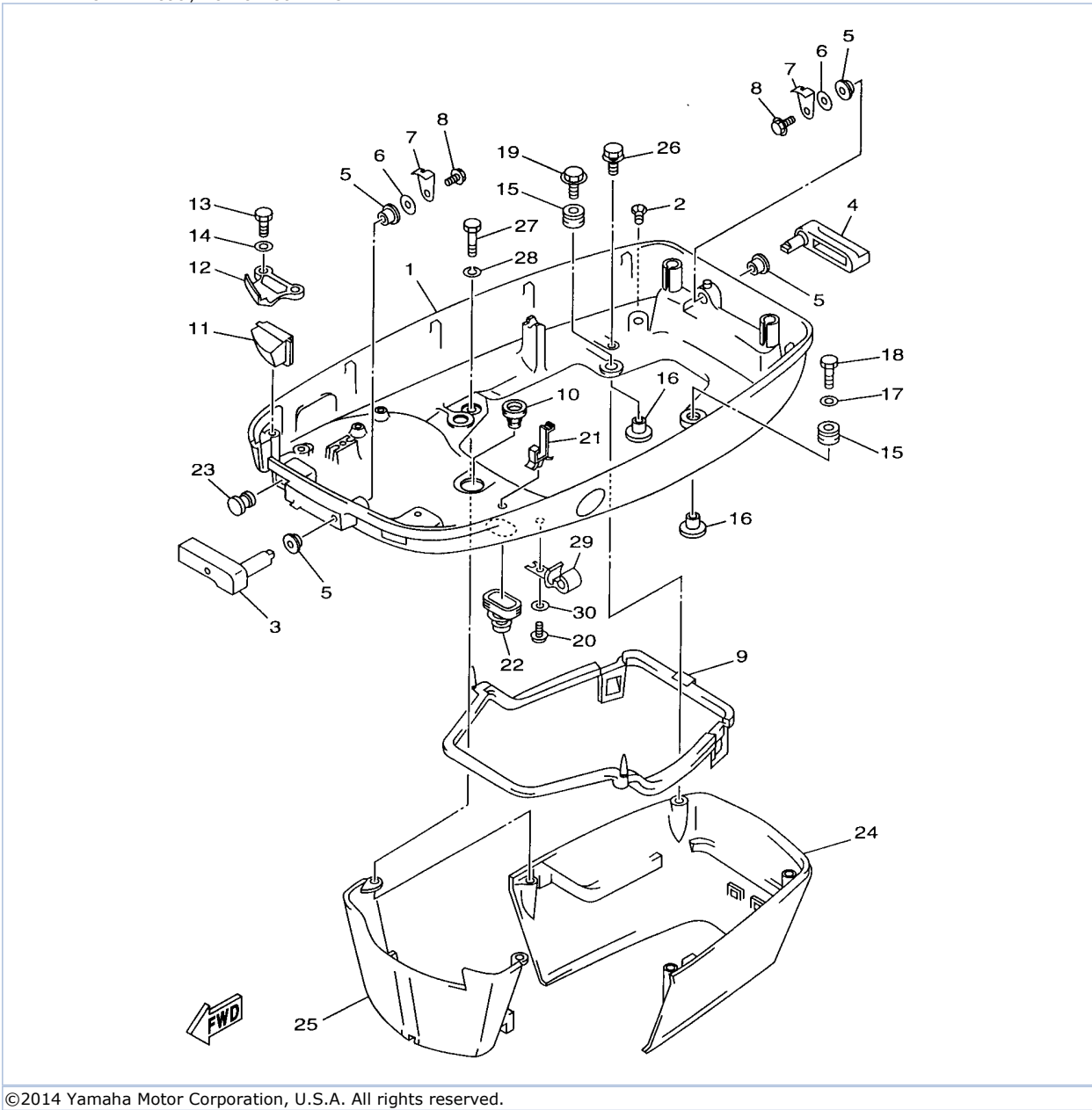
©2014 Yamaha Motor Corporation, U.S.A. All rights reserved.

Part List

P75TLHW 1998 / TOP COWLING

REF - NO	PART NUMBER	PART NAME	QUANTITY	REMARKS
1	6H0-42610-N1-4D	TOP COWLING ASSEMBLY	1	
2	63D-2177H-00-00	.DISK CAP 2	1	
3	6H1-42647-00-94	.HOLDER, CLAMP BAND	1	
4	6H1-42649-00-94	.HOLDER, CLAMP BAND	1	
5	663-42662-00-00	.DAMPER	3	
6	688-42652-10-00	.HOOK	2	
7	97095-06016-00	.BOLT	2	
8	92995-06100-00	.WASHER, SPRING	2	
9	92995-06600-00	.WASHER	2	
10	90266-06009-00	.RIVET	6	
11	6H1-42613-01-4D	.MOLDING, AIR DUCT	1	
12	97095-06016-00	.BOLT	4	
13	92995-06600-00	.WASHER	4	
14	688-42615-00-00	.SEAL	1	
15	6H0-42677-N1-00	.GRAPHIC, FRONT	1	
16	6H0-42678-N1-00	.GRAPHIC, REAR	1	
17	6H0-W0070-N1-00	.GRAPHIC SET	1	
18	6H1-42617-10-00	.DAMPER, FORM	1	
19	6H1-42619-00-00	.DAMPER, FORM	1	
20	6H1-42627-00-00	.DAMPER, FORM	1	
21	6H1-42637-00-00	.DAMPER, FORM	1	
22	6H1-13436-41-00	.MARK	1	
23	6H1-42694-00-00	.BAND	1	
24	6H3-21732-00-00	.SEAL 1	1	
25	6H3-21735-00-00	.SEAL 2	1	
26	90338-05M12-00	.PLUG	1	
27	90183-05M06-00	.NUT, SPRING	1	

P75TLHW 1998 / BOTTOM COWLING



©2014 Yamaha Motor Corporation, U.S.A. All rights reserved.


Part List

P75TLHW 1998 / BOTTOM COWLING

REF - NO	PART NUMBER	PART NAME	QUANTITY	REMARKS
1	6H1-42711-01-4D	COWLING, BOTTOM	1	
2	6H3-44391-01-00	NIPPLE, HOSE	1	
3	688-42815-01-4D	LEVER, CLAMP	1	
4	688-42817-01-4D	LEVER, CLAMP	1	
5	90386-13M38-00	BUSH	4	
6	90206-13019-00	WASHER, WAVE	2	
7	688-42816-00-00	LEVER, CLAMP 2	2	
8	90119-06M09-00	BOLT, WITH WASHER	2	
9	688-42716-02-00	RUBBER, SEAL 1	1	
10	663-42724-00-00	GROMMET	1	
11	688-42725-10-00	GROMMET	1	
12	688-42738-01-94	PLATE, FITTING	1	
13	97095-06016-00	BOLT	2	
14	92995-06600-00	WASHER	2	
15	90480-09M12-00	GROMMET	4	
16	90387-06M69-00	COLLAR	4	
17	90201-06416-00	WASHER, PLATE	1	
18	97095-06030-00	BOLT	1	
19	90119-06M61-00	BOLT, WITH WASHER	3	
20	90157-06M01-00	SCREW, PAN HEAD	1	
21	90464-15M08-00	CLAMP	1	
22	688-42726-10-00	GROMMET	1	
23	6G1-42748-00-00	GROMMET	1	
24	688-42741-01-4D	APRON	1	
25	688-42771-01-4D	APRON	1	
26	97595-06420-00	BOLT, WITH WASHER	2	
27	97095-06030-00	BOLT	2	
28	92995-06100-00	WASHER, SPRING	2	
29	6E5-24367-01-00	CLAMP, FUEL PIPE 2	1	
30	92990-06600-00	WASHER, PLATE	1	

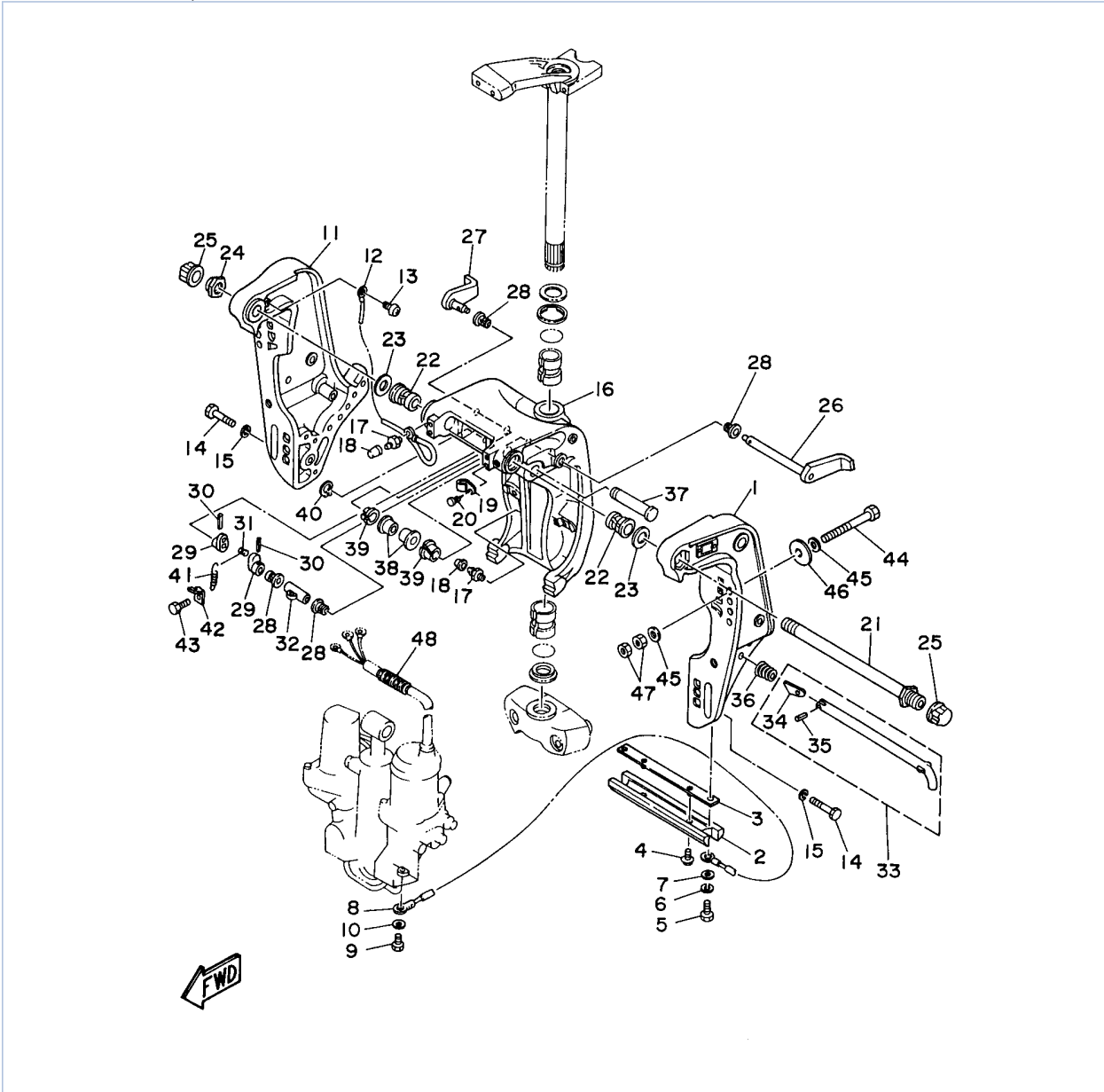
Part Notes

P75TLHW 1998 / BOTTOM COWLING

PART NUMBER	NOTE TEXT
92990-06600-00 	OEM: This part number is among the Top 100 Most Popular Marine Maintenance Parts as of March 2014.

©2014 Yamaha Motor Corporation, U.S.A. All rights reserved.

P75TLHW 1998 / BRACKET 1



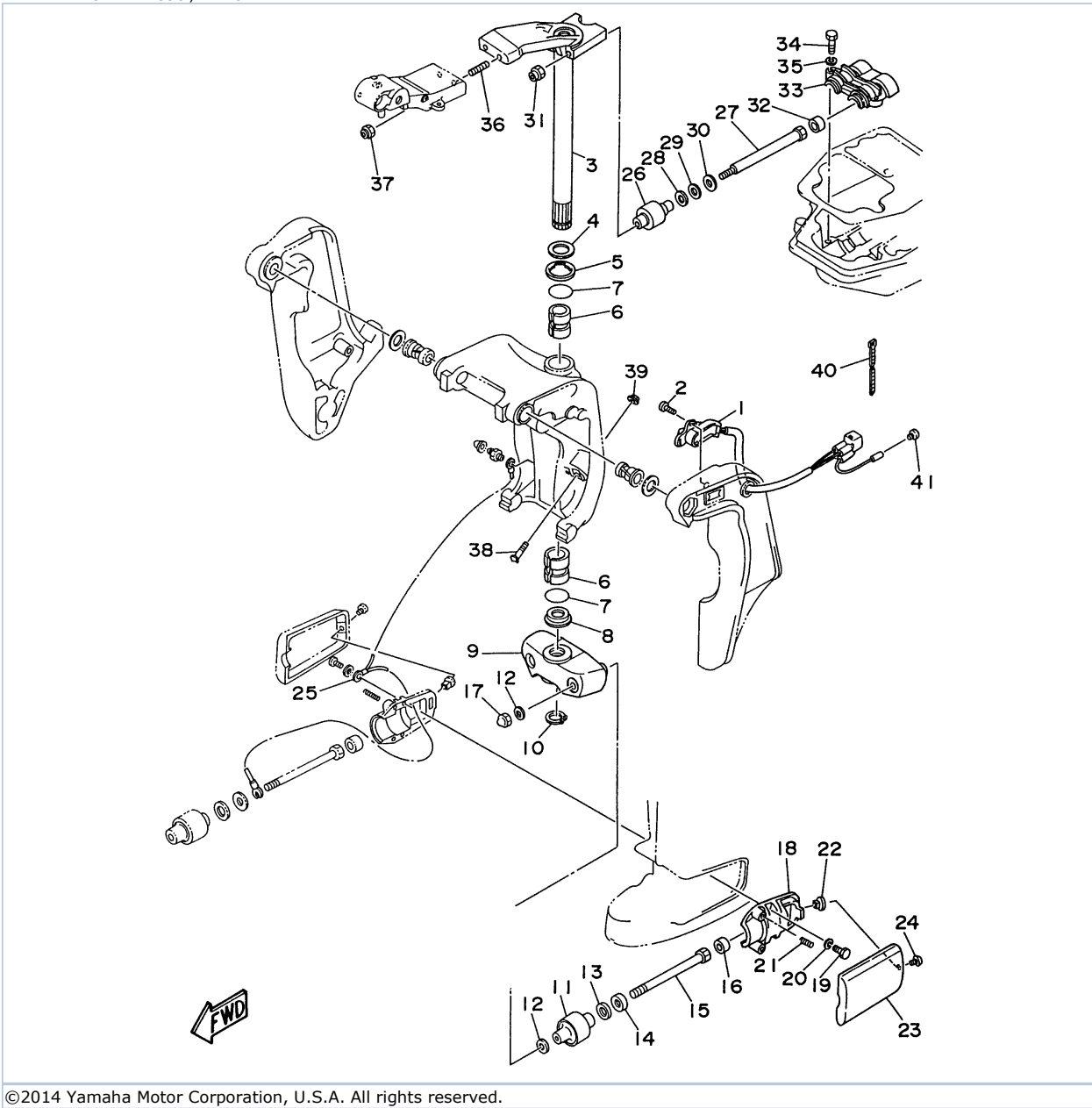
©2014 Yamaha Motor Corporation, U.S.A. All rights reserved.

Part List

P75TLHW 1998 / BRACKET 1

REF - NO	PART NUMBER	PART NAME	QUANTITY	REMARKS
1	6H1-43111-01-4D	BRACKET, CLAMP 1	1	
2	6H1-45251-02-00	ANODE	1	
3	6H1-44526-00-00	PLATE	1	
4	90119-06M29-00	BOLT, WITH WASHER	2	
5	97095-06016-00	BOLT	2	
6	92995-06100-00	WASHER, SPRING	2	
7	92995-06600-00	WASHER	2	
8	6H1-82148-00-00	WIRE, LEAD 4	1	
9	97095-06010-00	BOLT	1	
10	92995-06600-00	WASHER	1	
11	6H1-43112-00-4D	BRACKET, CLAMP 2	1	
12	6E5-82148-00-00	WIRE, LEAD 4	1	
13	97880-06012-00	SCREW, PAN HEAD	1	
14	97095-10045-00	BOLT	6	
15	92995-10100-00	WASHER	6	
16	6H1-43311-01-4D	BRACKET, SWIVEL 1	1	
17	93700-06M03-00	NIPPLE, GREASE	3	
18	663-45119-00-00	CAP, GREASE NIPPLE	3	AP
19	90464-11M18-00	CLAMP	1	
20	90338-05M03-00	PLUG	1	
21	688-43131-03-00	BOLT, CLAMP BRACKET	1	
22	90386-22M15-00	BUSH	2	
23	90201-22M67-00	WASHER, PLATE	2	
24	90185-22043-00	NUT, SELF-LOCKING	1	
25	6G5-43145-00-00	CAP, CLAMP BRACKET	2	
26	6H1-43181-01-00	LEVER, TILT STOP	1	
27	6H1-43185-01-00	LEVER, TILT STOP	1	
28	90386-10M16-00	BUSH	4	
29	6G5-43148-00-00	COLLAR, DISTANCE	2	
30	91690-30020-00	PIN, SPRING	2	
31	90249-06M19-00	PIN	1	
32	90387-10M02-00	COLLAR	1	
33	688-43160-01-00	TILT ROD ASSY	1	
34	688-43165-00-00	.PLATE, TILT LOCK	1	
35	91690-30012-00	.PIN, SPRING	1	
36	90502-16M02-00	SPRING, CONICAL	1	
37	6E5-43126-02-00	PIN, UPPER SHOCK MOUNT	1	
38	90386-18M63-00	BUSH	2	
39	90386-18M35-00	BUSH	2	
40	93410-18M02-00	CIRCLIP	1	
41	90506-14M24-00	SPRING, TENSION	1	
42	6G5-43144-00-00	HOOK, SPRING	1	
43	97095-06010-00	BOLT	1	
44	90101-12M65-00	BOLT	4	
45	92990-12200-00	WASHER, PLAIN	8	
46	90201-12426-00	WASHER, PLATE	4	
47	95380-12600-00	NUT	8	
48	90440-14M00-00	PIPE	1	

P75TLHW 1998 / BRACKET 2



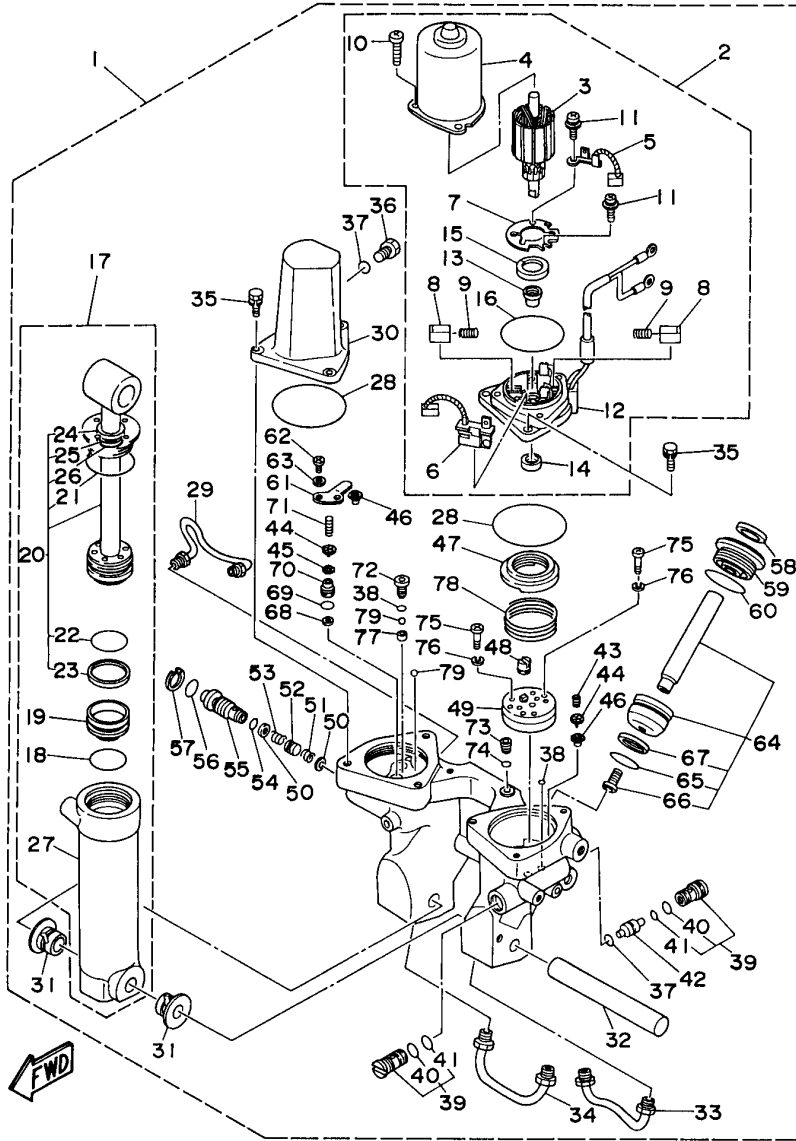
©2014 Yamaha Motor Corporation, U.S.A. All rights reserved.

Part List

P75TLHW 1998 / BRACKET 2

REF - NO	PART NUMBER	PART NAME	QUANTITY	REMARKS
1	6H1-83672-11-00	TRIM SENDER	1	
2	97885-06016-00	SCREW, PAN HEAD	2	
3	688-42510-02-4D	STEERING BRACKET ASSY	1	
4	90201-30M00-00	WASHER, PLATE	1	
5	90386-30M78-00	BUSH	1	
6	90386-30M77-00	BUSH	2	
7	93210-29M94-00	O-RING	2	
8	90386-30M60-00	BUSH	1	
9	663-44551-02-4D	HOUSING, LOWER MOUNT RUBBER	1	
10	93410-28M06-00	CIRCLIP	1	
11	687-44555-00-94	MOUNT DAMPER, LOWER SIDE	2	
12	90201-12M16-00	WASHER, PLATE	4	
13	90202-25M04-00	WASHER, PLATE	2	
14	90201-13M19-00	WASHER, PLATE	2	
15	90109-12261-00	BOLT	2	
16	663-44575-00-00	DAMPER, LOWER MOUNT RUBBER	2	
17	95380-12800-00	NUT, CROWN	2	
18	687-44552-02-94	HOUSING, LOWER MOUNT RUBBER	2	
19	97075-08025-00	BOLT	4	
20	92995-08100-00	WASHER	4	
21	90501-14M08-00	SPRING, COMPRESSION	4	
22	90179-06066-00	NUT	2	
23	663-44553-01-4D	COVER, LOWER MOUNT	2	
24	97885-06016-00	SCREW, PAN HEAD	2	
25	688-82127-02-00	WIRE, LEAD 2	1	
26	688-44514-00-94	MOUNT DAMPER, UPPER SIDE	2	
27	90101-10M49-00	BOLT	2	
28	90201-20M21-00	WASHER, PLATE	2	
29	90202-20M06-00	WASHER, PLATE	2	
30	90201-11M22-00	WASHER, PLATE	2	
31	90185-10051-00	NUT, SELF-LOCKING	2	
32	663-44575-00-00	DAMPER, LOWER MOUNT RUBBER	2	
33	688-44511-00-94	COVER, UPPER MOUNT	1	
34	97075-08035-00	BOLT	3	
35	92995-08100-00	WASHER	3	
36	90116-10175-00	BOLT, STUD	2	
37	90185-10051-00	NUT, SELF-LOCKING	2	
38	6H1-43376-00-00	BOLT, THRUST RECEIVER	2	
39	90185-08057-00	NUT, SELF-LOCKING	2	
40	90465-11M10-00	CLAMP	3	
41	703-82119-00-00	COVER, LEAD WIRE	1	AP

P75TLHW 1998 / POWER TRIM TILT ASSEMBLY



©2014 Yamaha Motor Corporation, U.S.A. All rights reserved.

Part List




P75TLHW 1998 / POWER TRIM TILT ASSEMBLY

REF - NO	PART NUMBER	PART NAME	QUANTITY	REMARKS
1	6H1-43800-15-4D	POWER TRIM & TILT ASSY	1	
2	6H1-43880-02-00	..MOTOR ASSY	1	
3	6H1-43805-10-00	..ARMATURE ASSY	1	
4	6H1-43804-10-00	..STATOR ASSY	1	
5	6H1-43891-10-00	..BRUSH 1	1	
6	6H1-43892-10-00	..BREAKER COMP (BRUSH 2)	1	
7	6H1-4380F-10-00	..PLATE, BRUSH HOLDER	1	
8	6H1-4380J-10-00	..HOLDER, BRUSH	2	
9	6H1-4386K-10-00	..SPRING, BRUSH	2	
10	97885-05016-00	..SCREW, PAN HEAD	3	
11	97607-04310-00	..SCREW, WITH WASHER	2	
12	6H1-43881-10-00	..FRAME, END	1	
13	6H1-4380H-10-00	..METAL	1	
14	93102-08M43-00	..OIL SEAL	1	
15	6H1-4380G-10-00	..PLATE	1	
16	6H1-43865-10-00	..O-RING	1	
17	6H1-43840-11-00	..POWER TILT ASSY	1	
18	6H1-43861-10-00	..O-RING	1	
19	6H1-43814-11-00	..PISTON, FREE	1	
20	6H1-43810-11-00	..TILT PISTON SUB ASSY	1	
21	6H1-43861-00-00	..O-RING	1	
22	6H1-43861-10-00	..O-RING	1	
23	6H1-43871-10-00	..RING, BACK UP	1	
24	6H1-43812-00-00	..SEAL, DUST	1	
25	6H1-43872-10-00	..RING, BACK UP	1	
26	93210-18397-00	..O-RING	1	
27	6H1-43813-10-00	..CYLINDER, TILT	1	
28	93210-64488-00	..O-RING	2	
29	6H1-43835-10-00	..PIPE	1	
30	6H1-43828-10-00	..BODY, RESERVOIR	1	
31	90386-18M14-00	..BUSH	2	
32	6E5-43818-00-00	..PIN, LOWER SHOCK MOUNT	1	
33	6H1-43833-10-00	..PIPE	1	
34	6H1-43834-00-00	..PIPE	1	
35	97595-06420-00	..BOLT, WITH WASHER	6	
36	6H1-43829-00-00	..PLUG, RESERVOIR	1	
37	93210-09165-00	..O-RING	2	
38	93210-064A5-00	..O-RING	3	
39	6T4-43802-02-00	..VALVE SUB ASSEMBLY	2	
40	6H1-43866-00-00	..O-RING	1	
41	6H1-43867-00-00	..O-RING	1	
42	6H1-43841-11-00	..PISTON, SHUTTLE	1	
43	6H1-43856-10-00	..SPRING, DOWN RELIEF	1	
44	6H1-43844-10-00	..PIN, VALVE SUPPORT	2	
45	6H1-4384G-11-00	..SEAL, RELIEF VALVE	1	
46	61A-4384F-00-00	..SEAL, MAIN VALVE	2	
47	6H1-43817-01-00	..FILTER 2	1	
48	6H1-43831-10-00	..CONNECTOR, SHAFT	1	
49	6H1-43830-11-00	..GEAR PUMP ASSY	1	
50	6H1-43847-00-00	..SEAT, MANUAL VALVE	2	
51	6H1-43899-00-00	..SPRING, MANUAL RELEASE	1	
52	6H1-4382A-10-00	..ADAPTOR 1	1	
53	6H1-43854-00-00	..SPRING, MANUAL RELEASE	1	
54	93210-10M74-00	..O-RING	1	

55	6H1-43845-00-00	.SCREW, MANUAL RELEASE	1	
56	93210-18M75-00	.O-RING	1	
57	6H1-43875-00-00	.RING, SNAP	1	
58	6H1-43822-10-00	.SEAL, TRIM DUST	2	
59	6H1-43821-11-00	.SCREW, TRIM CYLINDER END	2	
60	6H1-43861-10-00	.O-RING	2	
61	6H1-4384E-20-00	.SPRING, TRIM	1	
62	98501-05010-00	.SCREW, PAN HEAD	2	
63	92901-05200-00	.WASHER, PLAIN	2	
64	6H1-43820-11-00	.TRIM PISTON SUB ASSY	2	
65	6H1-43864-00-00	.O-RING	1	
66	91318-08016-00	.BOLT, SOCKET HEAD	1	
67	6H1-43874-00-00	.RING, BACK UP	1	
68	6H1-43816-00-00	.FILTER 1	1	
69	6H1-43896-00-00	.O-RING	1	
70	6H1-43895-11-00	.SEAT, RELIEF VALVE	1	
71	6H1-43855-11-00	.SPRING, UP RELIEF	1	
72	6H1-43843-11-00	.SCREW, VALVE LOCK	1	
73	6H1-4388E-11-00	.PLUG, TAPER SCREW	1	
74	6H1-43868-00-00	.O-RING	1	
75	98501-04025-00	.SCREW, PAN HEAD	4	
76	92901-04100-00	.WASHER, SPRING	4	
77	6H1-4387J-00-00	.WASHER, SPECIAL 2	1	
78	6H1-4385H-00-00	.SPRING, SEAL	1	
79	93505-32038-00	.BALL	2	

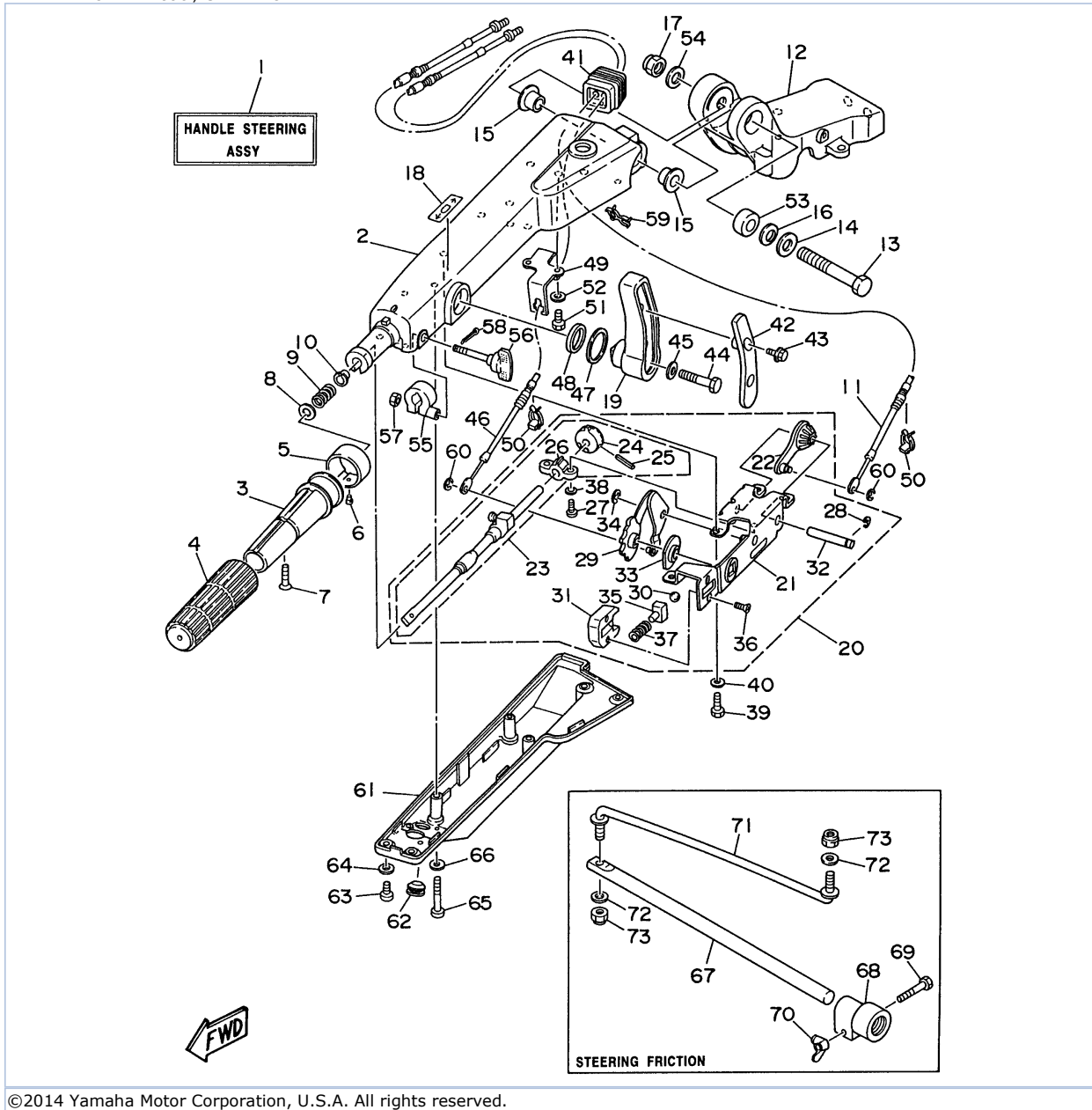
Part Notes

P75TLHW 1998 / POWER TRIM TILT ASSEMBLY

PART NUMBER		NOTE TEXT
6H1-43861-10-00		OEM: This part number is among the Top 100 Most Popular Marine Maintenance Parts as of March 2014.
6H1-43861-10-00		OEM: This part number is among the Top 100 Most Popular Marine Maintenance Parts as of March 2014.
6H1-43861-10-00		OEM: This part number is among the Top 100 Most Popular Marine Maintenance Parts as of March 2014.

©2014 Yamaha Motor Corporation, U.S.A. All rights reserved.

P75TLHW 1998 / STEERING



Part List





P75TLHW 1998 / STEERING

REF - NO	PART NUMBER	PART NAME	QUANTITY	REMARKS
1	6H1-W0084-10-4D	HANDLE STEERING ASSEMBLY	1	
2	63D-42111-01-4D	HANDLE, STEERING	1	
3	664-42119-00-00	GRIP, STEERING HANDLE	1	
4	6G1-42177-00-00	RUBBER, HANDLE	1	
5	6H2-42137-00-00	INDICATOR, THROTTLE	1	
6	90269-02M09-00	RIVET	1	
7	90149-05M13-00	SCREW	1	
8	92903-10600-00	WASHER, PLATE	1	
9	90501-23215-00	SPRING, COMPRESSION	1	
10	90386-08032-00	BUSH	1	
11	6H1-26301-01-00	THROTTLE CABLE ASSY	1	
12	63D-42121-10-4D	BRACKET	1	
13	90101-12M09-00	BOLT	1	
14	92990-12200-00	WASHER, PLAIN	1	
15	90386-12M93-00	BUSH	2	
16	90206-12M22-00	WASHER, WAVE	1	
17	90185-12058-00	NUT, SELF-LOCKING	1	
18	6G8-44191-00-00	INDICATOR, SHIFT	1	
19	63D-44159-01-4D	HANDLE, GEAR SHIFT	1	
20	63D-44100-01-00	SHIFT LINK ASSY	1	
21	63D-44104-00-00	.PLATE COMP	1	
22	63D-48261-00-00	.ARM, THROTTLE	1	
23	63D-42115-00-00	.SHAFT, STEERING HANDLE	1	
24	650-42152-00-94	..GEAR	1	
25	91690-30025-00	..PIN, SPRING	1	
26	63D-42159-00-00	..STAY	1	
27	98580-06016-00	.SCREW, PAN HEAD	2	
28	93430-08006-00	.CIRCLIP	1	
29	63D-44113-00-00	.CAM PLATE, HANDLE	1	
30	63D-48236-00-00	.ROLLER, DETENT	1	
31	63D-48119-00-00	.COVER	1	
32	63D-42153-00-00	.SHAFT, THROTTLE CONTROL	1	
33	63D-44132-00-00	.BUSHING	1	
34	63D-48118-00-00	.CLIP, SHIFT LEVER	1	
35	63D-48237-00-00	.ADAPTER	1	
36	98780-05014-00	.SCREW, FLAT HEAD	2	
37	63D-48238-00-00	.SPRING, DETENT	1	
38	63D-42181-00-00	.WASHER	2	
39	97095-06016-00	BOLT	4	
40	92990-06600-00	WASHER, PLATE	4	
41	63D-42725-00-00	GROMMET	1	
42	63D-44173-00-00	LEVER, SHIFT CONTROL	1	
43	90159-06M18-00	SCREW, WITH WASHER	2	
44	97095-08040-00	BOLT	1	
45	92995-08600-00	WASHER	1	
46	6H1-48321-00-00	CABLE	1	
47	90386-29M95-00	BUSH	1	
48	90202-24M53-00	WASHER, PLATE	1	
49	63D-48531-00-00	BRACKET, REMOTE CONTROL	1	
50	63D-48538-00-00	CLAMP, CABLE 1	2	
51	97095-06016-00	BOLT	2	
52	92990-06600-00	WASHER, PLATE	2	
53	90387-12M02-00	COLLAR	1	

54	92990-12600-00	WASHER, PLATE	1	
55	63D-42126-00-00	FRICTION, STEERING HANDLE GRIP	1	
56	63D-48154-00-00	KNOB, THROTTLE	1	
57	95380-06600-00	NUT, HEXAGON	1	
58	91490-20010-00	PIN. COTTER	1	
59	90464-09M42-00	CLAMP	1	
60	93430-04M03-00	CIRCLIP	2	
61	63D-42131-00-00	COVER, HANDLE STEERING	1	
62	90480-14M14-00	GROMMET	1	
63	97885-06016-00	SCREW, PAN HEAD	4	
64	92990-06600-00	WASHER, PLATE	4	
65	97885-06040-00	SCREW, PAN HEAD	3	
66	92990-06600-00	WASHER, PLATE	3	
67	663-42518-00-00	.SHAFT, FRICTION	1	
68	663-42528-00-00	.PLATE, FRICTION	1	
69	97080-06035-00	.BOLT	1	
70	90175-06003-00	.NUT, WING	1	
71	692-42515-01-00	.ROD, STEERING LINK	1	
72	92990-08600-00	..WASHER, PLATE	2	
73	90185-08057-00	NUT, SELF-LOCKING	2	

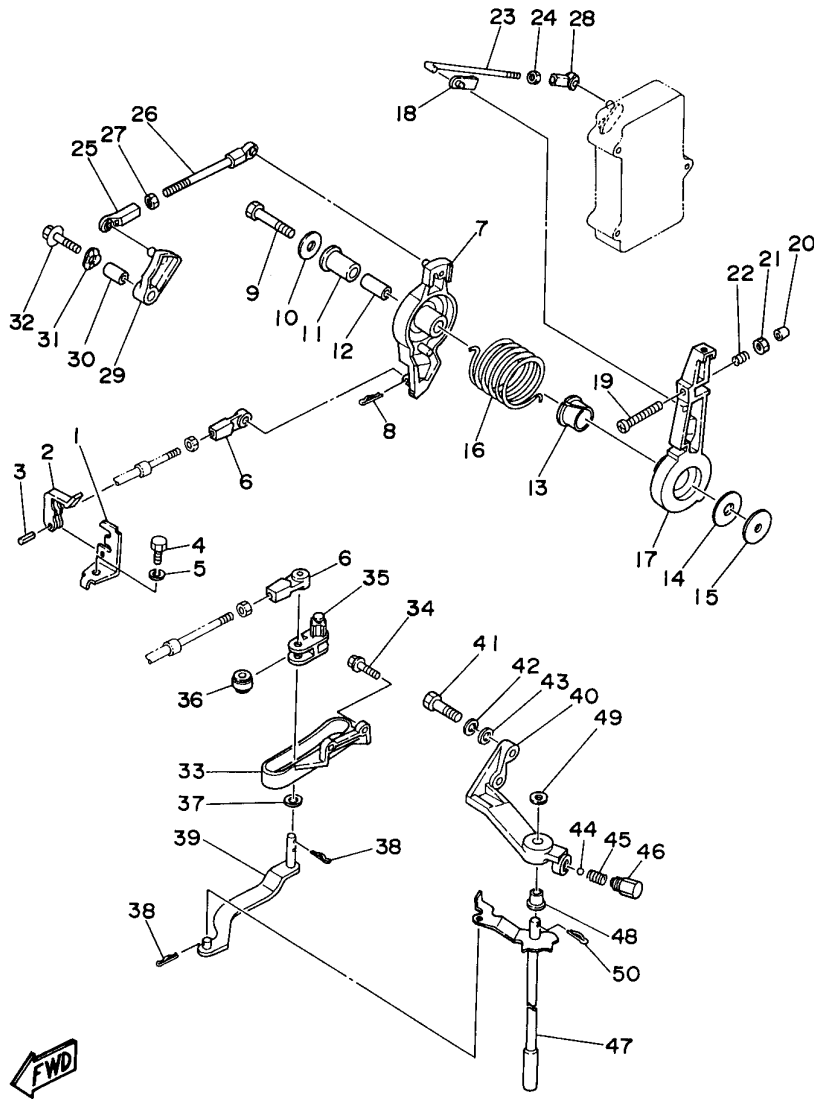
Part Notes

P75TLHW 1998 / STEERING

PART NUMBER		NOTE TEXT
92990-06600-00		OEM: This part number is among the Top 100 Most Popular Marine Maintenance Parts as of March 2014.
92990-06600-00		OEM: This part number is among the Top 100 Most Popular Marine Maintenance Parts as of March 2014.
92990-06600-00		OEM: This part number is among the Top 100 Most Popular Marine Maintenance Parts as of March 2014.
92990-06600-00		OEM: This part number is among the Top 100 Most Popular Marine Maintenance Parts as of March 2014.

©2014 Yamaha Motor Corporation, U.S.A. All rights reserved.

P75TLHW 1998 / CONTROL



©2014 Yamaha Motor Corporation, U.S.A. All rights reserved.

Part List

P75TLHW 1998 / CONTROL

REF - NO	PART NUMBER	PART NAME	QUANTITY	REMARKS
1	663-48531-00-00	BRACKET, REMOTE CONTROL	1	
2	663-48538-00-00	CLAMP, CABLE 1	1	
3	91690-30012-00	.PIN, SPRING	1	
4	97095-08016-00	BOLT	1	
5	92995-08100-00	WASHER	1	
6	663-48344-00-00	.CABLE END, REMOTE CONTROL	2	
7	688-41632-01-94	LEVER, MAGNETO CONTROL	1	
8	90468-18008-00	CLIP	1	
9	97095-08045-00	.BOLT	1	
10	90201-08M23-00	WASHER, PLATE	1	
11	90386-12089-00	BUSH	1	
12	90387-08M16-00	COLLAR	1	
13	90386-22M13-00	BUSH	1	
14	90202-12092-00	WASHER, PLATE	1	
15	90201-08M13-00	WASHER, PLATE	1	
16	90508-29M05-00	SPRING, TORSION	1	
17	688-41631-01-94	LEVER, MAGNETO CONTROL	1	
18	6F5-41237-00-00	JOINT, LINK	1	
19	90157-06013-00	SCREW, PAN HEAD	1	
20	688-44194-00-00	CAP	1	
21	95303-06600-00	.NUT	1	
22	90501-16M12-00	SPRING, COMPRESSION	1	
23	6H1-41636-00-00	ROD, MAGNETO CONTROL	1	
24	95380-05600-00	NUT	1	
25	662-41237-01-00	JOINT, LINK	1	
26	688-41211-01-00	LINK, ACCEL.	1	
27	95380-05600-00	NUT	1	
28	682-41237-00-00	JOINT, LINK	1	
29	6H1-41213-00-00	CAM, ACCEL.	1	
30	90387-06M17-00	COLLAR	1	
31	90206-10M04-00	WASHER, WAVE	1	
32	90119-06M24-00	BOLT, WITH WASHER	1	
33	688-44117-00-94	BRACKET	1	
34	97513-06520-00	BOLT, WITH WASHER	2	
35	688-44124-00-00	LINK, SHIFT ROD	1	
36	688-44122-00-00	BUSHING, SHIFT ROD LEVER	1	
37	90202-07M07-00	WASHER, PLATE	1	
38	90468-18008-00	CLIP	3	
39	6H1-44121-00-00	LEVER, SHIFT ROD	1	
40	688-44118-00-94	BRACKET	1	
41	97013-08030-00	BOLT	2	
42	92903-08100-00	WASHER, SPRING	2	
43	92903-08600-00	WASHER, PLATE	2	
44	93501-04M02-00	BALL	1	
45	90501-12082-00	SPRING, COMPRESSION	1	
46	648-42715-00-00	BUSHING	1	
47	6H1-44120-12-00	HANDLE GEAR SHIFT ASSY	1	
48	90386-07M58-00	BUSH	1	
49	92990-08200-00	WASHER, PLAIN	1	
50	90468-18008-00	CLIP	1	

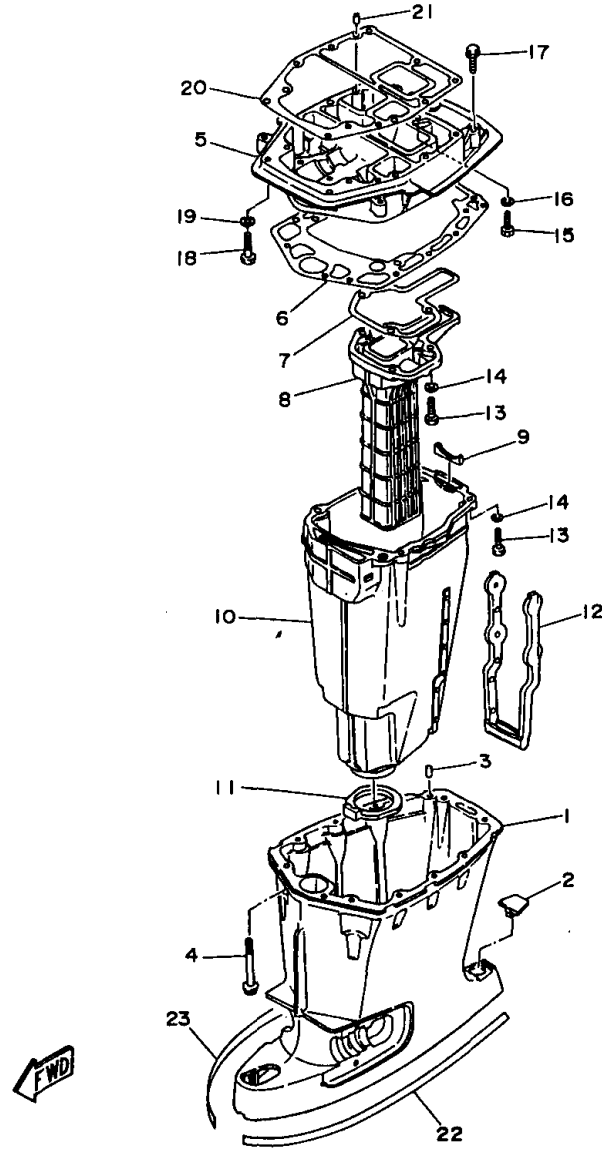
Part Notes

P75TLHW 1998 / CONTROL

PART NUMBER		NOTE TEXT
90468-18008-00		OEM: This part number is among the Top 100 Most Popular Marine Maintenance Parts as of March 2014.
90468-18008-00		OEM: This part number is among the Top 100 Most Popular Marine Maintenance Parts as of March 2014.
90468-18008-00		OEM: This part number is among the Top 100 Most Popular Marine Maintenance Parts as of March 2014.

©2014 Yamaha Motor Corporation, U.S.A. All rights reserved.

P75TLHW 1998 / UPPER CASING



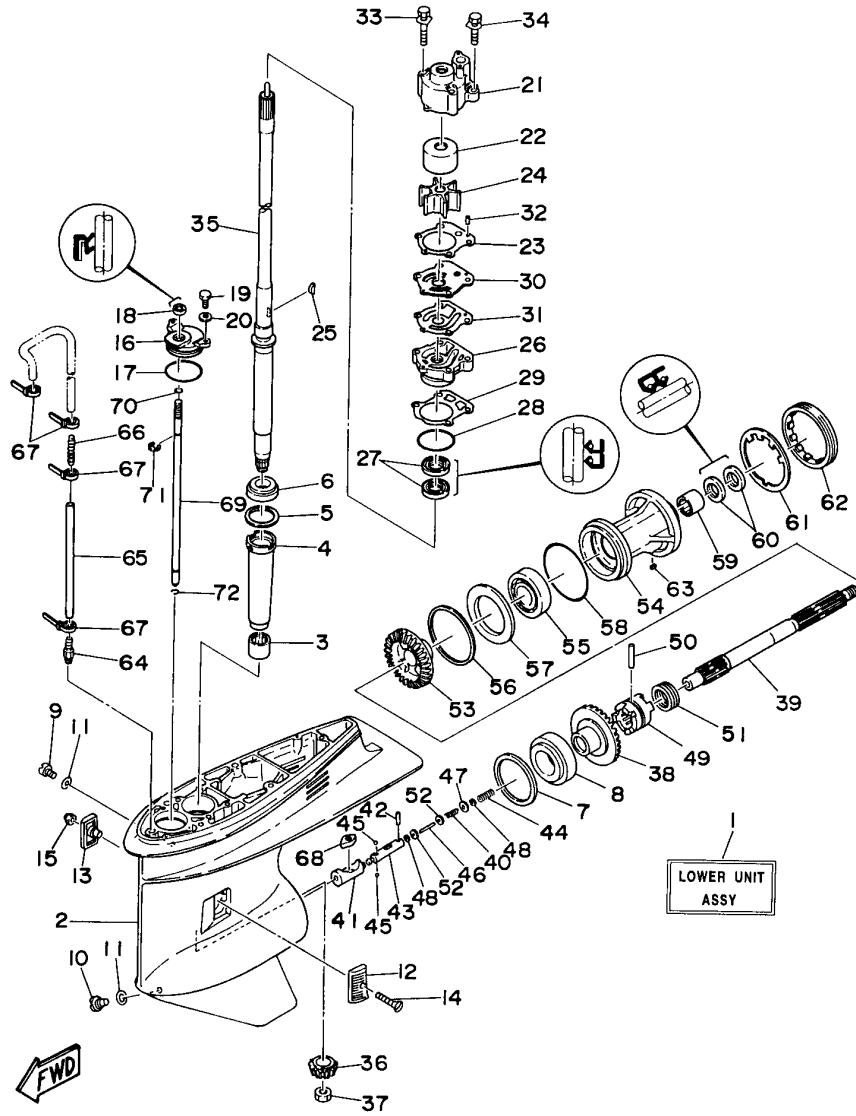
©2014 Yamaha Motor Corporation, U.S.A. All rights reserved.

Part List

P75TLHW 1998 / UPPER CASING

REF - NO	PART NUMBER	PART NAME	QUANTITY	REMARKS
1	688-45111-04-4D	CASING, UPPER	1	
2	663-45155-10-00	CAP	1	
3	93606-12019-00	.PIN, DOWEL	2	
4	90119-08M80-00	BOLT, WITH WASHER	8	
5	688-41137-03-94	GUIDE, EXHAUST	1	
6	688-45114-A1-00	GASKET, UPPER CASING	1	
7	688-41134-A0-00	GASKET, EXHAUST MANIFOLD	1	
8	692-41131-00-5B	MANIFOLD, EXT. 1	1	
9	688-41133-00-00	GASKET, EXHAUST MANIFOLD 1	1	
10	688-14711-01-5B	MUFFLER 1	1	
11	688-45123-00-00	GASKET, MUFFLER	1	
12	663-14737-10-00	DAMPER, MUFFLER	1	
13	97075-08030-00	BOLT	7	
14	92995-08100-00	WASHER	7	
15	97075-08025-00	BOLT	1	
16	92995-08100-00	WASHER	1	
17	90119-08M79-00	BOLT, WITH WASHER	2	
18	97075-08035-00	BOLT	2	
19	92995-08100-00	WASHER	2	
20	688-45113-A0-00	GASKET, UPPER CASING	1	
21	93606-12019-00	.PIN, DOWEL	2	
22	6H3-42791-Y1-00	MARK 1	1	
23	6H3-42792-Y2-00	MARK 2	1	

P75TLHW 1998 / LOWER CASING DRIVE 1



©2014 Yamaha Motor Corporation, U.S.A. All rights reserved.

Part List






P75TLHW 1998 / LOWER CASING DRIVE 1

REF - NO	PART NUMBER	PART NAME	QUANTITY	REMARKS
1	6H1-45300-15-4D	LOWER UNIT ASSY	1	
2	6H1-45301-03-4D	CASING, LOWER	1	
3	93315-325V1-00	BEARING	1	
4	688-45536-01-00	SLEEVE, DRIVE SHAFT	1	
5	688-45587-01-12	SHIM (T:0.12MM)	1	UR
5	688-45587-01-30	SHIM (T:0.30MM)	1	UR
5	688-45587-01-50	SHIM (T:0.50MM)	1	UR
5	688-45587-01-10	SHIM (T:0.10MM)	1	UR
5	688-45587-01-15	SHIM (T:0.15MM)	1	UR
5	688-45587-01-18	SHIM (T:0.18MM)	1	UR
5	688-45587-01-40	SHIM (T:0.40MM)	1	UR
6	93332-000U3-00	BEARING	1	
7	688-45567-01-12	SHIM (T:0.12MM)	1	UR
7	688-45567-01-30	SHIM (T:0.30MM)	1	UR
7	688-45567-01-50	SHIM (T:0.50MM)	1	UR
7	688-45567-01-10	SHIM (T:0.10MM)	1	UR
7	688-45567-01-15	SHIM (T:0.15MM)	1	UR
7	688-45567-01-18	SHIM (T:0.18MM)	1	UR
7	688-45567-01-40	SHIM (T:0.40MM)	1	UR
8	93332-000W7-00	BEARING	1	
9	90340-08M04-00	PLUG, STRAIGHT SCREW	1	
10	688-45341-00-00	PLUG, DRAIN	1	
11	90430-08020-00	.GASKET	2	
12	6H1-45214-00-00	COVER, WATER INLET 1	1	
13	6H1-45215-00-00	COVER, WATER INLET 2	1	
14	90151-05M00-00	SCREW, COUNTERSUNK	1	
15	90185-05002-00	NUT, NYLON	1	
16	688-45321-00-00	PLATE	1	
17	93210-49046-00	.O-RING	1	
18	93106-09014-00	.OIL SEAL	1	
19	97095-06016-00	BOLT	2	
20	92995-06600-00	WASHER	2	
21	688-44311-01-00	HOUSING, WATER PUMP	1	
22	688-44322-00-00	INSERT, CARTRIDGE	1	
23	688-44315-A0-00	.GASKET, WATER PUMP	1	
24	688-44352-03-00	IMPELLER	1	
25	90280-04M04-00	.KEY, WOODRUFF	1	
26	688-44341-00-94	HOUSING, WATER PUMP	1	
27	93101-25M03-00	.OIL SEAL	2	
28	93210-46044-00	O-RING	1	
29	688-44316-A0-00	.GASKET, WATER PUMP	1	
30	688-44323-00-00	OUTER PLATE, CARTRIDGE	1	
31	688-44324-A0-00	.GASKET, CARTRIDGE	1	
32	93604-10M03-00	PIN, DOWEL	2	
33	90119-08M16-00	.BOLT, WITH WASHER	2	
34	90119-08M13-00	.BOLT, WITH WASHER	2	
35	6H1-45501-11-00	DRIVE SHAFT COMP.	1	
36	688-45551-01-00	PINION (13T)	1	
37	90170-16M01-00	NUT	1	
38	688-45560-00-00	GEAR 1 (26T)	1	
39	6H1-45611-02-00	SHAFT, PROPELLER	1	
40	90501-12M48-00	SPRING, COMPRESSION	1	
41	6H1-45641-01-00	SHIFTER	1	
42	93603-12M11-00	PIN, DOWEL	1	

43	6H1-45634-02-00	SLIDE, SHIFT	1	
44	90501-16M65-00	SPRING, COMPRESSION	1	
45	93503-16003-00	BALL	2	
46	6H1-45668-00-00	SHAFT, FREE 1	1	
47	90201-03313-00	WASHER, PLATE	1	
48	90183-02M03-00	NUT, SPRING	2	
49	6H1-45631-01-00	CLUTCH, DOG	1	
50	90250-07M02-00	PIN, STRAIGHT	1	
51	688-45633-00-00	RING, CROSS PIN	1	
52	6H1-45635-00-00	PLUNGER, SHIFT	2	
53	6H1-45571-00-00	GEAR 2 (26T)	1	
54	688-45331-00-94	HOUSING, BEARING	1	
55	93306-207U0-00	.BEARING	1	
56	688-45577-01-12	SHIM (T:0.12MM)	1	UR
56	688-45577-01-30	SHIM (T:0.30MM)	1	UR
56	688-45577-01-50	SHIM (T:0.50MM)	1	UR
56	688-45577-01-10	SHIM (T:0.10MM)	1	UR
56	688-45577-01-15	SHIM (T:0.15MM)	1	UR
56	688-45577-01-18	SHIM (T:0.18MM)	1	UR
56	688-45577-01-40	SHIM (T:0.40MM)	1	UR
57	688-45576-00-00	WASHER, THRUST	1	
58	93210-85M97-00	O-RING	1	
59	93317-325U0-00	BEARING	1	
60	93101-25M03-00	.OIL SEAL	2	
61	688-45383-02-00	WASHER, CLAW	1	
62	688-45384-00-00	NUT	1	
63	90282-04010-00	KEY, STRAIGHT	1	
64	6E5-45378-00-00	NIPPLE, HOSE	1	
65	90445-07ME9-00	HOSE (L120)	1	
66	6E5-83558-10-00	END, NIPPLE	1	
67	90465-11M10-00	CLAMP	4	
68	6H1-44151-00-00	CAM, SHIFT	1	
69	6H1-44144-00-00	ROD, SHIFT	1	
70	93210-07003-00	.O-RING	1	
71	93430-08006-00	CIRCLIP	1	
72	93450-07M00-00	CIRCLIP	1	

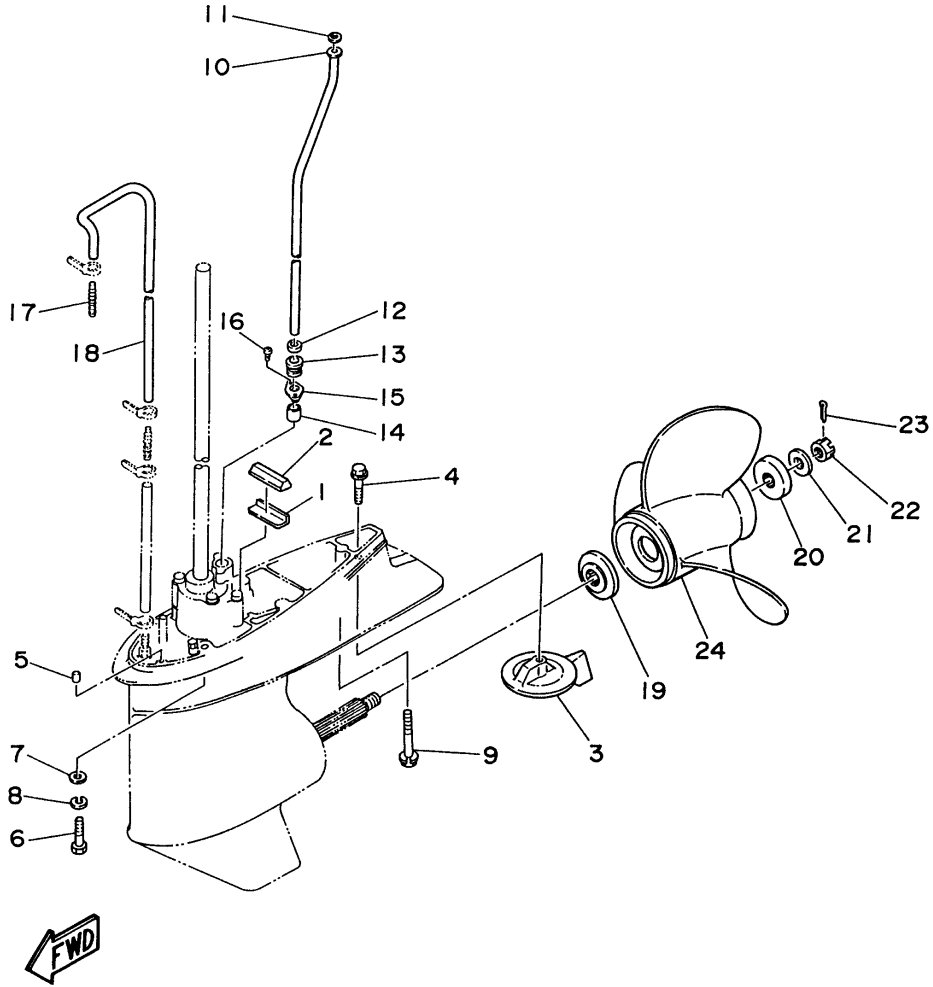
Part Notes

P75TLHW 1998 / LOWER CASING DRIVE 1

PART NUMBER		NOTE TEXT
90430-08020-00		OEM: This part number is among the Top 100 Most Popular Marine Maintenance Parts as of March 2014.
93106-09014-00		OEM: This part number is among the Top 100 Most Popular Marine Maintenance Parts as of March 2014.
688-44352-03-00		OEM: This part number is among the Top 100 Most Popular Marine Maintenance Parts as of March 2014.
93101-25M03-00		OEM: This part number is among the Top 100 Most Popular Marine Maintenance Parts as of March 2014.
93101-25M03-00		OEM: This part number is among the Top 100 Most Popular Marine Maintenance Parts as of March 2014.

©2014 Yamaha Motor Corporation, U.S.A. All rights reserved.

P75TLHW 1998 / LOWER CASING DRIVE 2



©2014 Yamaha Motor Corporation, U.S.A. All rights reserved.


Part List

P75TLHW 1998 / LOWER CASING DRIVE 2

REF - NO	PART NUMBER	PART NAME	QUANTITY	REMARKS
1	663-45376-00-94	GUIDE, SEAL DAMPER	1	
2	688-45375-00-00	DAMPER, SEAL	1	
3	688-45371-02-00	TAB-TRIM	1	
4	90105-10M67-00	BOLT, FLANGE	1	
5	93606-12019-00	.PIN, DOWEL	2	
6	97075-10040-00	BOLT	4	
7	92990-10600-00	WASHER, PLATE	4	
8	92990-10100-00	WASHER, SPRING	4	
9	90119-08M84-00	BOLT, WITH WASHER	1	
10	688-44361-10-00	TUBE, WATER	1	
11	90202-12060-00	WASHER, PLATE	1	
12	90430-12072-00	GASKET	1	
13	663-44367-00-00	DAMPER, WATER SEAL 3	1	
14	663-44366-00-00	.DAMPER, WATER SEAL 2	1	
15	90480-19M06-00	GROMMET	1	
16	97780-40512-00	SCREW, TAPPING	2	
17	6E5-83558-00-00	END, NIPPLE	1	
18	90445-07MF1-00	HOSE (L570)	1	
19	688-45987-01-00	SPACER 1	1	
20	688-45997-01-00	SPACER 2	1	
21	90201-17M00-00	WASHER, PLATE	1	
22	90171-16011-00	NUT, CASTLE	1	
23	91490-40025-00	PIN. COTTER	1	
24	688-45974-02-98	PROPELLER (3X13"X23"-K)	1	UR
24	688-45978-60-98	PROPELLER (3X13-1/2"X16"-K)	1	UR
24	688-45930-01-98	PROPELLER (3X13"X17"-K)	1	UR
24	688-45932-60-98	PROPELLER (3X13-1/2"X14"-K)	1	UR
24	6E5-45972-10-00	PROPELLER (3X14"X24"-P)	1	UR
24	6E5-45978-10-00	PROPELLER (3X14"X26"-P)	1	UR
24	6E5-45974-10-00	PROPELLER (3X14"X28"-P)	1	UR
24	6E5-45970-10-00	PROPELLER (3X14"X20"-P)	1	UR
24	6E5-45976-10-00	PROPELLER (3X14"X22"-P)	1	UR
24	6E5-45952-00-EL	PROPELLER (3X13"X23"-K)	1	UR
24	6E5-45954-00-EL	PROPELLER (3X14"X11"-K)	1	UR
24	688-45976-01-98	PROPELLER (3X13"X25"-K)	1	UR
24	688-45972-02-98	PROPELLER (3X13"X21"-K)	1	UR
24	688-45970-03-98	PROPELLER (3 X 13-1/2" X 19" -K) ()	1	UR
24	6E5-45949-00-EL	PROPELLER (3X13-5/8"X13"-K)	1	UR
24	6E5-45947-00-EL	PROPELLER (3X13-1/2"X15"-K)	1	UR
24	6E5-45941-00-EL	PROPELLER (3X13"X19"-K)	1	UR
24	6E5-45943-00-EL	PROPELLER (3X12-5/8"X21"-K)	1	UR
24	6E5-45945-01-EL	PROPELLER (3X13-1/4"X17"-K)	1	UR

Part Notes

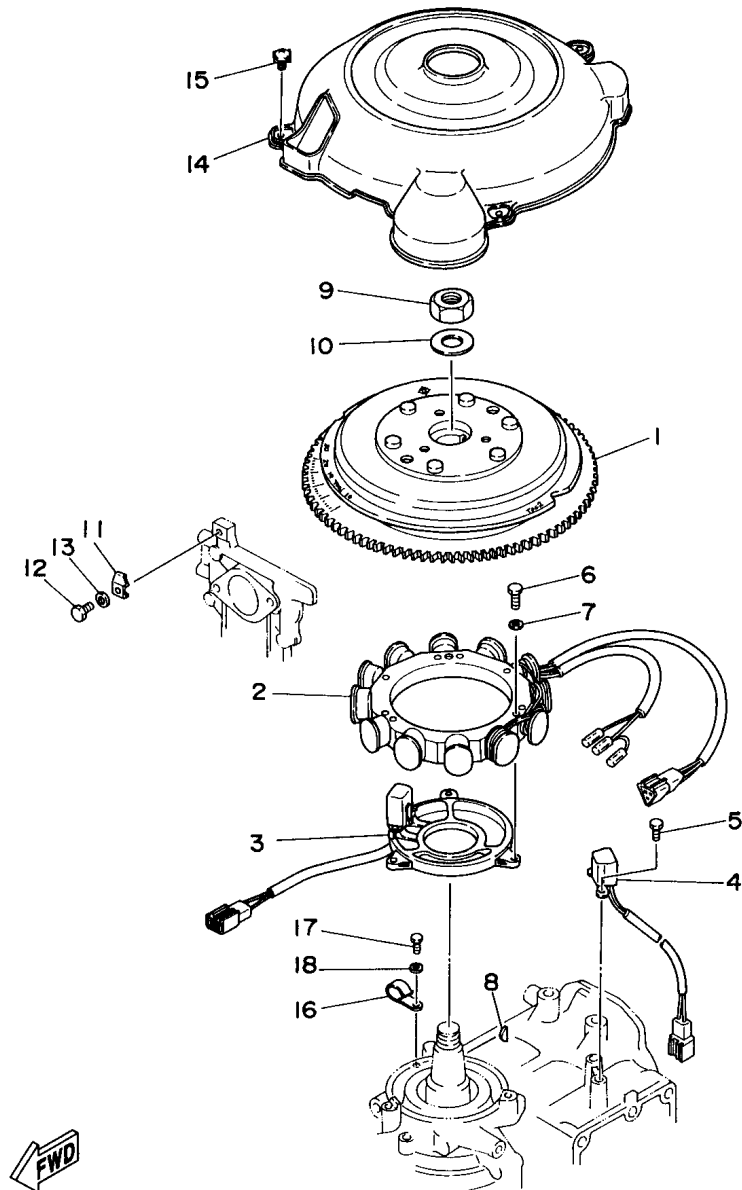
P75TLHW 1998 / LOWER CASING DRIVE 2

PART NUMBER	NOTE TEXT
92990-10600-00 	OEM: This part number is among the Top 100 Most Popular Marine Maintenance Parts as of March 2014.
688-45997-01-00	OEM: This part number is among the Top 100 Most Popular Marine Maintenance Parts as of March 2014.



©2014 Yamaha Motor Corporation, U.S.A. All rights reserved.

P75TLHW 1998 / MAGNETO



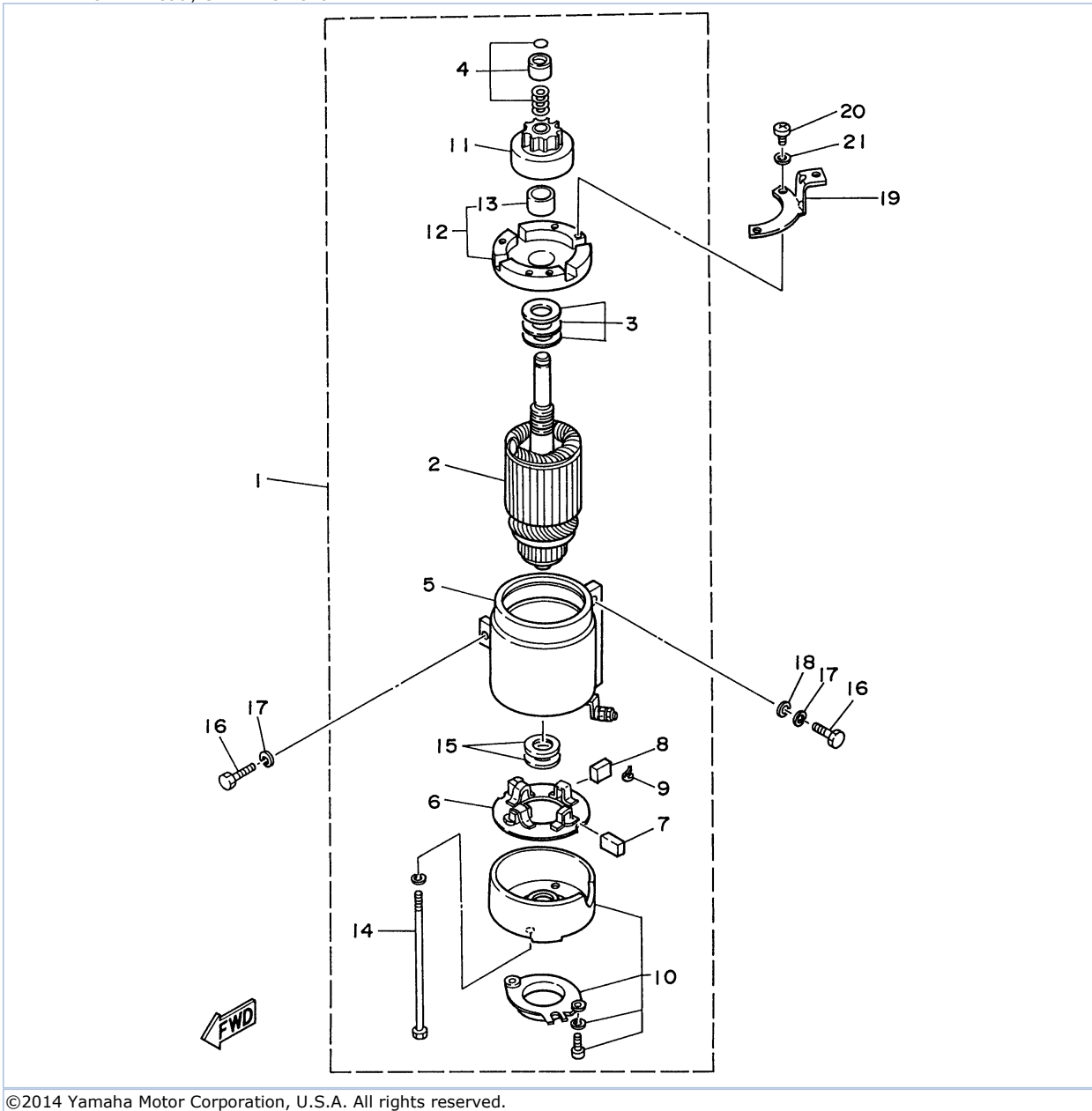
©2014 Yamaha Motor Corporation, U.S.A. All rights reserved.

Part List

P75TLHW 1998 / MAGNETO

REF - NO	PART NUMBER	PART NAME	QUANTITY	REMARKS
1	6H0-85550-00-00	ROTOR ASSY	1	
2	6H0-85510-01-00	STATOR ASSEMBLY	1	
3	6H0-85580-01-00	COIL, PULSER	1	
4	6H2-85895-01-00	CRANK POSITION SENDER	1	
5	97095-05012-00	BOLT	2	
6	97095-06040-00	.BOLT	3	
7	92995-06600-00	WASHER	3	
8	90280-05015-00	KEY, WOODRUFF	1	
9	90170-20137-00	NUT	1	
10	90201-21M18-00	WASHER, PLATE	1	
11	688-81332-01-00	PLATE, TIMING	1	
12	97095-06010-00	BOLT	1	
13	92995-06600-00	WASHER	1	
14	6H1-81337-01-00	COVER, FLYWHEEL	1	
15	90159-06M20-00	SCREW, WITH WASHER	3	
16	90465-06M28-00	.CLAMP	1	
17	97095-06012-00	BOLT	1	
18	92995-06600-00	WASHER	1	

P75TLHW 1998 / STARTING MOTOR



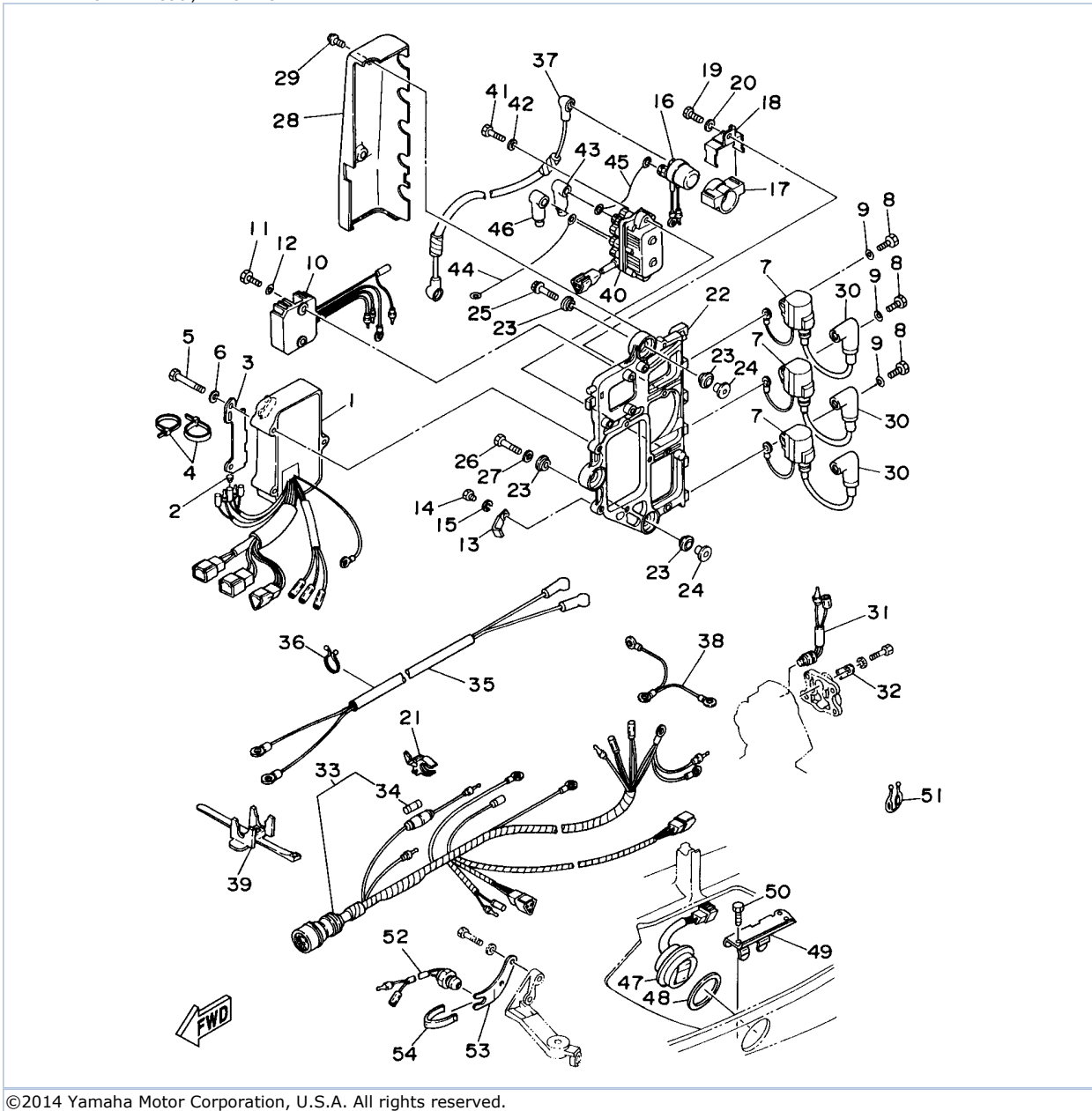
©2014 Yamaha Motor Corporation, U.S.A. All rights reserved.

Part List

P75TLHW 1998 / STARTING MOTOR

REF - NO	PART NUMBER	PART NAME	QUANTITY	REMARKS
1	688-81800-12-00	STARTING MOTOR ASSY	1	
2	676-81850-11-00	.ARMATURE ASSY	1	
3	676-81809-10-00	.WASHER KIT	1	
4	676-81857-10-00	.PINION STOPPER SET	1	
5	688-81810-11-00	.STATOR ASSY	1	
6	663-81840-11-00	.BRUSH HOLDER ASSY	1	
7	663-81811-11-00	.BRUSH 1	2	
8	663-81812-11-00	.BRUSH 2	2	
9	663-81813-10-00	.SPRING, BRUSH	4	
10	663-81820-12-00	.REAR BRACKET ASSY	1	
11	663-81832-11-00	.PINION ASSY	1	
12	688-81830-11-00	.FRONT BRACKET ASSY	1	
13	688-81831-00-00	..METAL, FRONT	1	
14	663-81826-10-00	.BOLT	2	
15	688-81824-00-00	.WASHER 2	2	
16	97013-08030-00	BOLT	3	
17	92903-08100-00	WASHER, SPRING	3	
18	92990-08600-00	..WASHER, PLATE	2	
19	6H1-15771-00-00	STAY 1	1	
20	97880-04010-00	.SCREW, PAN HEAD	3	
21	92995-04600-00	WASHER	3	

P75TLHW 1998 / ELECTRICAL 1



©2014 Yamaha Motor Corporation, U.S.A. All rights reserved.

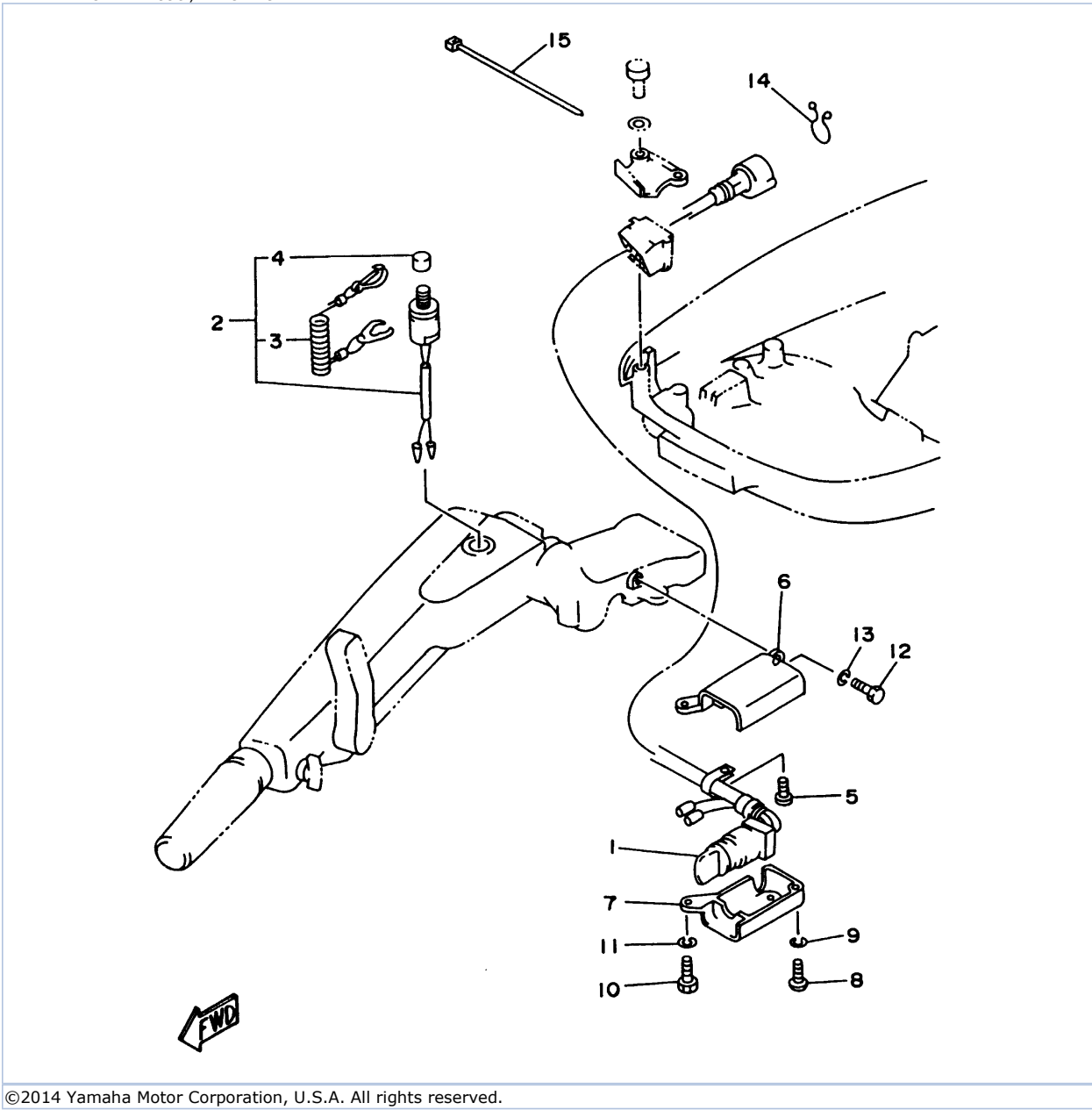
Part List

P75TLHW 1998 / ELECTRICAL 1

REF - NO	PART NUMBER	PART NAME	QUANTITY	REMARKS
1	6H0-85540-04-00	C.D.I. UNIT ASSY	1	
2	703-82119-00-00	COVER, LEAD WIRE	1	
3	6H1-85542-10-94	BRACKET	1	
4	90465-13M11-00	CLAMP	2	
5	97095-06050-00	BOLT	3	
6	92995-06600-00	WASHER	3	
7	697-85570-00-00	IGNITION COIL ASSY	3	
8	97013-06020-00	BOLT	3	
9	92903-06600-00	WASHER, PLATE	3	
10	6H0-81960-00-00	RECTIFIER & REGULATOR ASSEMBLY	1	
11	97095-06020-00	BOLT	2	
12	92995-06600-00	WASHER	2	
13	90465-08M23-00	CLAMP	1	
14	97095-06012-00	BOLT	1	
15	92995-06100-00	WASHER, SPRING	1	
16	6G1-81941-10-00	STARTER RELAY ASSY	1	
17	6G1-81952-00-00	HOLDER, RELAY	1	
18	6E9-81945-70-00	PLATE, SWITCH FITTING	1	
19	97013-06016-00	BOLT	1	
20	92903-06600-00	WASHER, PLATE	1	
21	6G5-82152-00-00	HOLDER, FUSE	1	
22	6H1-85542-00-94	BRACKET	1	
23	90480-09M25-00	GROMMET	6	
24	90387-06M03-00	COLLAR	3	
25	90119-06M75-00	BOLT, WITH WASHER	2	
26	90109-06M39-00	BOLT	1	
27	90201-06M31-00	.WASHER, PLATE	1	
28	6H1-81916-00-00	COVER, TERMINAL	1	
29	90159-06M11-00	SCREW, WITH WASHER	2	
30	6E3-82370-20-00	PLUG CAP ASSY	3	
31	688-82560-10-00	THERMO SWITCH ASSY	1	
32	688-82588-01-00	PLATE	1	
33	6H0-82590-12-00	WIRE HARNESS ASSY	1	
34	682-82151-00-00	.FUSE (12V-20A)	1	
35	6H0-82105-11-00	BATTERY CABLE	1	
36	90464-23M22-00	CLAMP	1	
37	6H0-82117-00-00	WIRE, LEAD	1	
38	697-82519-00-00	WIRE, EARTH LEAD	1	
39	688-82594-00-00	CLAMP	1	
40	61A-81950-00-00	RELAY ASSY	1	
41	97095-06025-00	BOLT	2	
42	92995-06600-00	WASHER	2	
43	682-82119-01-00	COVER, LEAD WIRE	2	
44	6H0-81949-10-00	WIRE, LEAD	1	
45	6H0-81949-01-00	WIRE, LEAD	1	
46	682-82119-01-00	COVER, LEAD WIRE	1	
47	6H1-82563-10-00	TRIM & TILT SWITCH ASSY	1	
48	6E5-82587-00-00	GASKET	1	
49	6H1-83614-00-00	BRACKET	1	
50	97095-06016-00	BOLT	1	
51	90464-18M14-00	CLAMP	1	
52	688-82540-11-00	NEUTRAL SWITCH ASSY	1	UR
53	663-82554-01-00	STAY, NEUTRAL SWITCH	1	UR

54	663-82555-01-00	DAMPER, MAIN SWITCH 1	1	UR
----	-----------------	-----------------------	---	----

P75TLHW 1998 / ELECTRICAL 2



©2014 Yamaha Motor Corporation, U.S.A. All rights reserved.


Part List

P75TLHW 1998 / ELECTRICAL 2

REF - NO	PART NUMBER	PART NAME	QUANTITY	REMARKS
1	6H3-82510-11-00	MAIN SWITCH ASSEMBLY	1	
2	63D-82575-00-00	ENGINE STOP SWITCH ASSY	1	
3	682-82556-00-00	.LANYARD, STOP SWITCH	1	
4	689-8257Y-00-00	.CAP	1	
5	97885-06012-00	SCREW, PAN HEAD	1	
6	697-8252E-01-4D	COVER, MAIN SWITCH	1	
7	697-8252F-01-4D	COVER, MAIN SWITCH	1	
8	97885-06025-00	SCREW, PAN HEAD	1	
9	92995-06100-00	WASHER, SPRING	1	
10	97095-06030-00	BOLT	1	
11	92995-06100-00	WASHER, SPRING	1	
12	97095-06020-00	BOLT	1	
13	92995-06100-00	WASHER, SPRING	1	
14	90464-15M11-00	CLAMP	1	
15	90465-13M36-00	CLAMP	1	

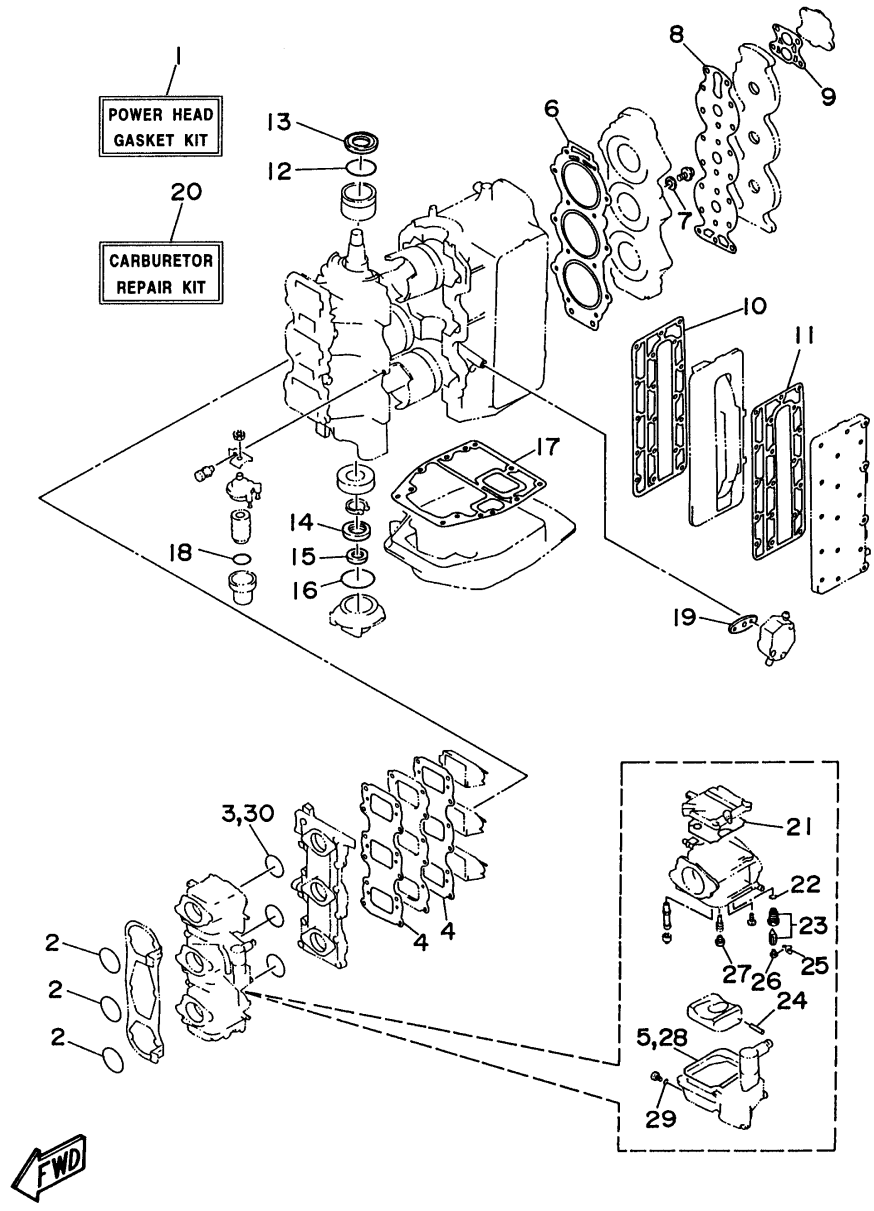
Part Notes

P75TLHW 1998 / ELECTRICAL 2

PART NUMBER	NOTE TEXT
682-82556-00-00 	OEM: This part number is among the Top 100 Most Popular Marine Maintenance Parts as of March 2014.

©2014 Yamaha Motor Corporation, U.S.A. All rights reserved.

P75TLHW 1998 / REPAIR KIT 1



©2014 Yamaha Motor Corporation, U.S.A. All rights reserved.




Part List

P75TLHW 1998 / REPAIR KIT 1

REF - NO	PART NUMBER	PART NAME	QUANTITY	REMARKS
1	6H1-W0001-02-00	POWER HEAD GASKET KIT	1	
2	93210-46044-00	.O-RING	3	
3	93210-39ME4-00	.O-RING	3	
4	688-13621-A1-00	.GASKET, VALVE SEAT	2	
5	6H4-14984-00-00	.GASKET, FLOAT CHAMBER	3	
6	688-11181-A0-00	.GASKET, CYLINDER HEAD 1	1	
7	90430-14115-00	.GASKET	1	
8	688-11193-A1-00	.GASKET, HEAD COVER 1	1	
9	688-12414-A1-00	.GASKET, COVER	1	
10	688-41112-A0-00	.GASKET, EXHAUST INNER COVER	1	
11	688-41114-A0-00	.GASKET, EXHAUST OUTER COVER	1	
12	93210-46M16-00	.O-RING	1	
13	93102-36M02-00	.OIL SEAL	1	
14	93102-30M05-00	.OIL SEAL	1	
15	93104-20M02-00	.OIL SEAL	1	
16	93210-62269-00	.O-RING	1	
17	688-45113-A0-00	.GASKET, UPPER CASING	1	
18	93210-32738-00	.O-RING	1	
19	650-24431-A0-00	.GASKET, FUEL PUMP 1	1	
20	6H1-W0093-10-00	CARBURETOR REPAIR KIT	1	
21	6H4-14147-00-00	.O-RING	1	
22	93210-04228-00	.O-RING	1	
23	692-14590-00-00	.VALVE SEAT	1	
24	6H4-14548-00-00	.PIN, FLOAT ARM	1	
25	663-14159-00-00	.CLIP	1	
26	676-14186-00-00	.PIN, FLOAT	1	
27	676-14966-00-00	.CAP	1	
28	6H4-14984-00-00	.GASKET, FLOAT CHAMBER	1	
29	93210-04230-00	.O-RING	1	
30	93210-39ME4-00	.O-RING	1	

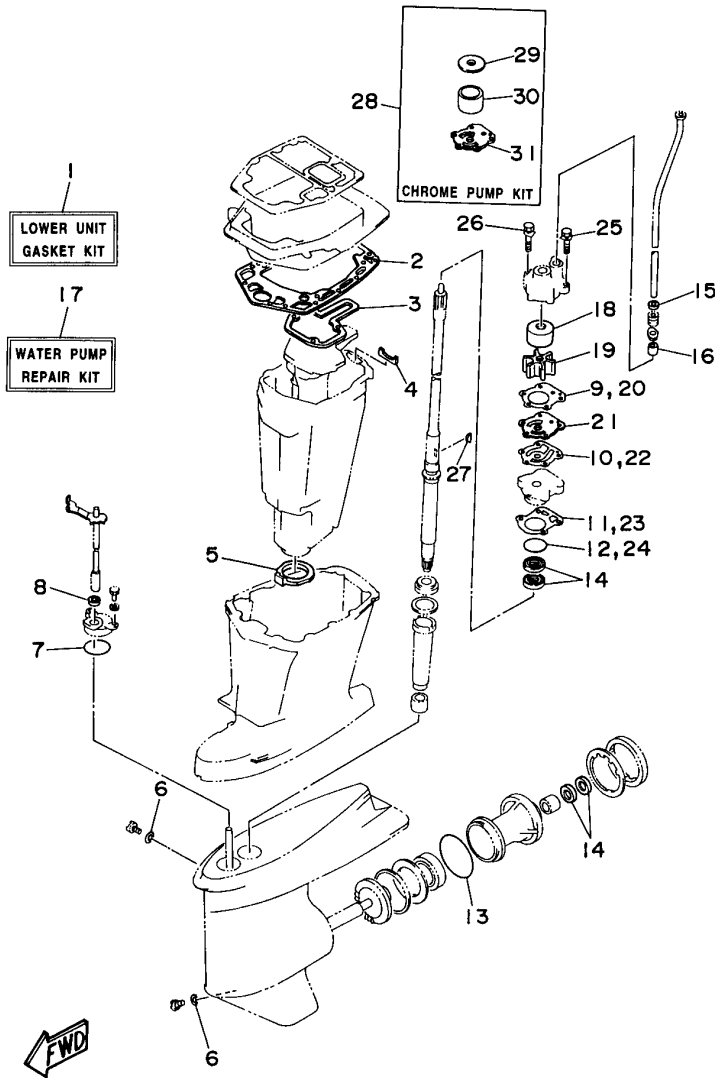
Part Notes

P75TLHW 1998 / REPAIR KIT 1

PART NUMBER		NOTE TEXT
688-12414-A1-00		OEM: This part number is among the Top 100 Most Popular Marine Maintenance Parts as of March 2014.
650-24431-A0-00		OEM: This part number is among the Top 100 Most Popular Marine Maintenance Parts as of March 2014.
6H1-W0093-10-00		OEM: This part number is among the Top 100 Most Popular Marine Maintenance Parts as of March 2014.

©2014 Yamaha Motor Corporation, U.S.A. All rights reserved.

P75TLHW 1998 / REPAIR KIT 2



©2014 Yamaha Motor Corporation, U.S.A. All rights reserved.






Part List

P75TLHW 1998 / REPAIR KIT 2

REF - NO	PART NUMBER	PART NAME	QUANTITY	REMARKS
1	688-W0001-21-00	LOWER UNIT GASKET KIT	1	
2	688-45114-A1-00	.GASKET, UPPER CASING	1	
3	688-41134-A0-00	.GASKET, EXHAUST MANIFOLD	1	
4	688-41133-00-00	.GASKET, EXHAUST MANIFOLD 1	1	
5	688-45123-00-00	.GASKET, MUFFLER	1	
6	90430-08020-00	.GASKET	2	
7	93210-49046-00	.O-RING	1	
8	93106-09014-00	.OIL SEAL	1	
9	688-44315-A0-00	.GASKET, WATER PUMP	1	
10	688-44324-A0-00	.GASKET, CARTRIDGE	1	
11	688-44316-A0-00	.GASKET, WATER PUMP	1	
12	93210-46044-00	.O-RING	1	
13	93210-85M97-00	.O-RING	1	
14	93101-25M03-00	.OIL SEAL	2	
15	90430-12072-00	.GASKET	1	
16	663-44366-00-00	.DAMPER, WATER SEAL 2	1	
17	692-W0078-02-00	WATER PUMP REPAIR KIT	1	
18	688-44322-00-00	.INSERT, CARTRIDGE	1	
19	688-44352-03-00	.IMPELLER	1	
20	688-44315-A0-00	.GASKET, WATER PUMP	1	
21	688-44323-00-00	.OUTER PLATE, CARTRIDGE	1	
22	688-44324-A0-00	.GASKET, CARTRIDGE	1	
23	688-44316-A0-00	.GASKET, WATER PUMP	1	
24	93210-46044-00	.O-RING	1	
25	90119-08M16-00	.BOLT, WITH WASHER	2	
26	90119-08M13-00	.BOLT, WITH WASHER	2	
27	90280-04M04-00	.KEY, WOODRUFF	1	
28	688-W0078-1A-00	CHROME PUMP KIT	1	
29	688-44321-41-00	.INSERT, CARTRIDGE	1	
30	688-44322-41-00	.INSERT, CARTRIDGE	1	
31	688-44323-40-00	.OUTER PLATE, CARTRIDGE	1	

Part Notes

P75TLHW 1998 / REPAIR KIT 2

PART NUMBER	NOTE TEXT
90430-08020-00 	OEM: This part number is among the Top 100 Most Popular Marine Maintenance Parts as of March 2014.
93106-09014-00 	OEM: This part number is among the Top 100 Most Popular Marine Maintenance Parts as of March 2014.
93101-25M03-00 	OEM: This part number is among the Top 100 Most Popular Marine Maintenance Parts as of March 2014.
692-W0078-02-00 	OEM: This part number is among the Top 100 Most Popular Marine Maintenance Parts as of March 2014.
688-44352-03-00 	OEM: This part number is among the Top 100 Most Popular Marine Maintenance Parts as of March 2014.

©2014 Yamaha Motor Corporation, U.S.A. All rights reserved.

©2014 Yamaha Motor Corporation, U.S.A. All rights reserved.