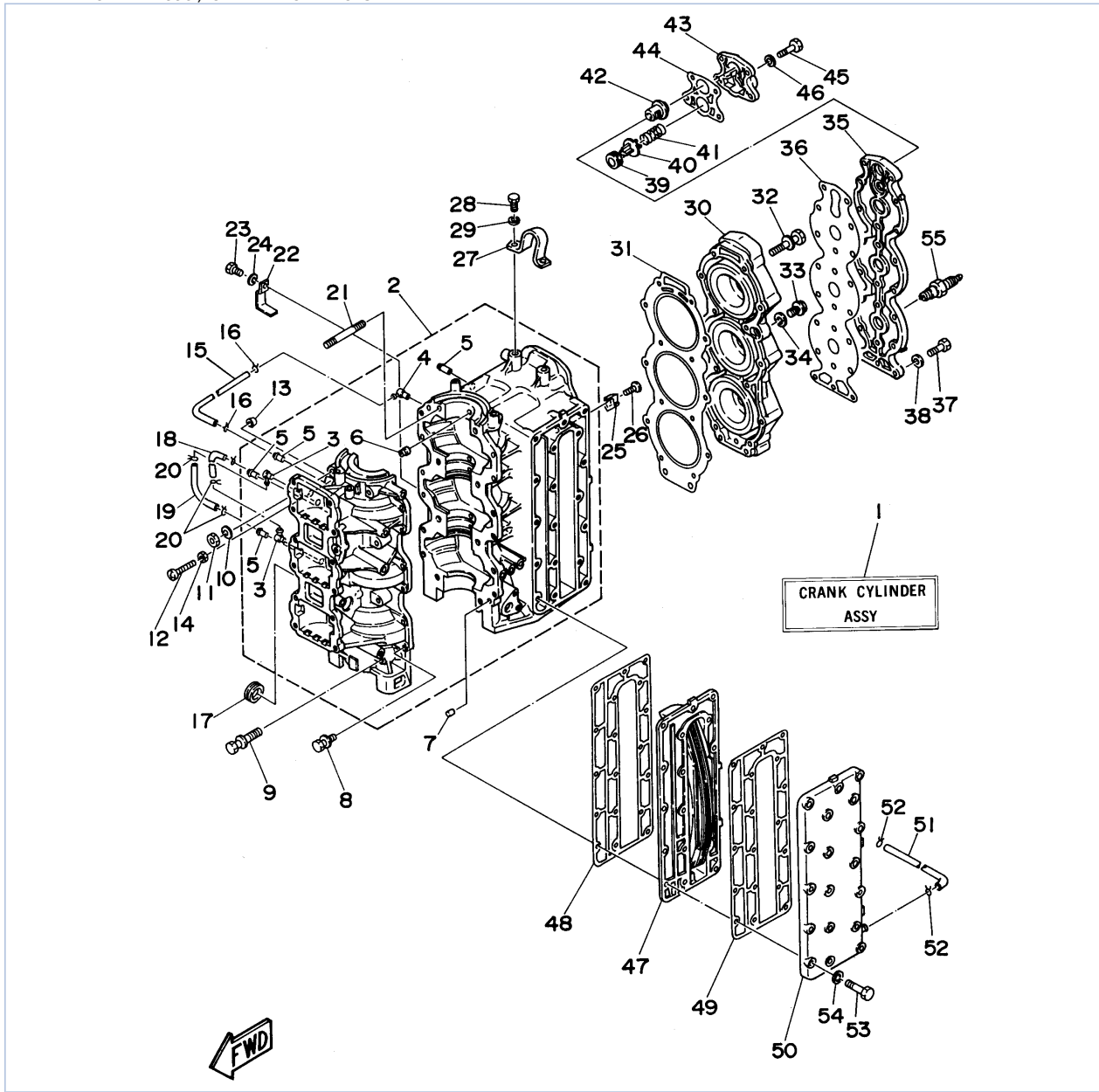


E75MLHW 1998 / CYLINDER CRANKCASE



©2014 Yamaha Motor Corporation, U.S.A. All rights reserved.

Part List



E75MLHW 1998 / CYLINDER CRANKCASE

REF - NO	PART NUMBER	PART NAME	QUANTITY	REMARKS
1	692-W0090-42-4D	CRANK CYLINDER ASSEMBLY	1	
2	688-15100-05-94	CRANKCASE ASSEMBLY	1	
3	688-11370-00-00	.CHECK VALVE ASSY	2	
4	650-11370-00-00	.CHECK VALVE ASSY	1	
5	624-14485-00-00	.PIPE, JOINT	4	
6	663-11518-01-00	.LOCK BEARING	3	
7	93608-12063-00	PIN, DOWEL	2	
8	90119-06M12-00	BOLT, WITH WASHER	12	
9	90119-10M07-00	BOLT, WITH WASHER	6	
10	90201-10430-00	WASHER, PLATE	2	
11	95313-10600-00	NUT	2	
12	90157-06014-00	SCREW, PAN HEAD	1	
13	688-44194-00-00	CAP	1	
14	95303-06700-00	NUT	1	
15	90445-07260-00	HOSE (L276)	1	
16	90467-06016-00	CLIP	2	
17	90480-24M04-00	GROMMET	1	
18	90445-07M00-00	HOSE (L100)	1	
19	90445-07M23-00	HOSE (L408)	1	
20	90467-06016-00	CLIP	4	
21	90116-10M06-00	BOLT, STUD	2	
22	90465-12M03-00	CLAMP	1	
23	97095-06012-00	BOLT	1	
24	92995-06100-00	WASHER, SPRING	1	
25	688-11325-00-00	ANODE	2	
26	98780-04015-00	SCREW, FLAT HEAD	2	
27	692-11119-00-00	HANGER, ENGINE	1	
28	97013-08020-00	BOLT	2	
29	92903-08100-00	WASHER, SPRING	2	
30	692-11111-01-94	HEAD, CYLINDER 1	1	
31	688-11181-A1-00	.GASKET, CYLINDER HEAD 1	1	
32	90119-08M21-00	BOLT, WITH WASHER	14	
33	90340-14M00-00	.PLUG, STRAIGHT SCREW	1	
34	90430-14115-00	.GASKET	1	
35	688-11191-00-9M	COVER, CYLINDER HEAD 1	1	
36	688-11193-A1-00	GASKET, HEAD COVER 1	1	
37	97013-06025-00	BOLT	18	
38	92903-06600-00	WASHER, PLATE	18	
39	90480-20M05-00	GROMMET	1	
40	688-12416-00-00	VALVE, PRESSURE CONTROL	1	
41	90501-16M11-00	SPRING, COMPRESSION	1	
42	688-12411-10-00	THERMOSTAT	1	
43	688-12413-00-9M	COVER, THERMOSTAT	1	
44	688-12414-A1-00	.GASKET, COVER	1	
45	97013-06035-00	BOLT	4	
46	92903-06600-00	WASHER, PLATE	4	
47	688-41111-00-9M	INNER COVER, EXHAUST	1	
48	688-41112-A0-00	GASKET, EXHAUST INNER COVER	1	
49	688-41114-A0-00	.GASKET, EXHAUST OUTER COVER	1	
50	688-41113-00-9M	OUTER COVER, EXHAUST	1	
51	663-24312-01-00	PIPE 2	1	
52	90467-08004-00	CLIP	2	

53	97013-08040-00	BOLT	18	
54	92903-08600-00	WASHER, PLATE	18	
55	NGK-B8HS1-00-00	PLUG, SPARK (NGK B8HS-10)	3	

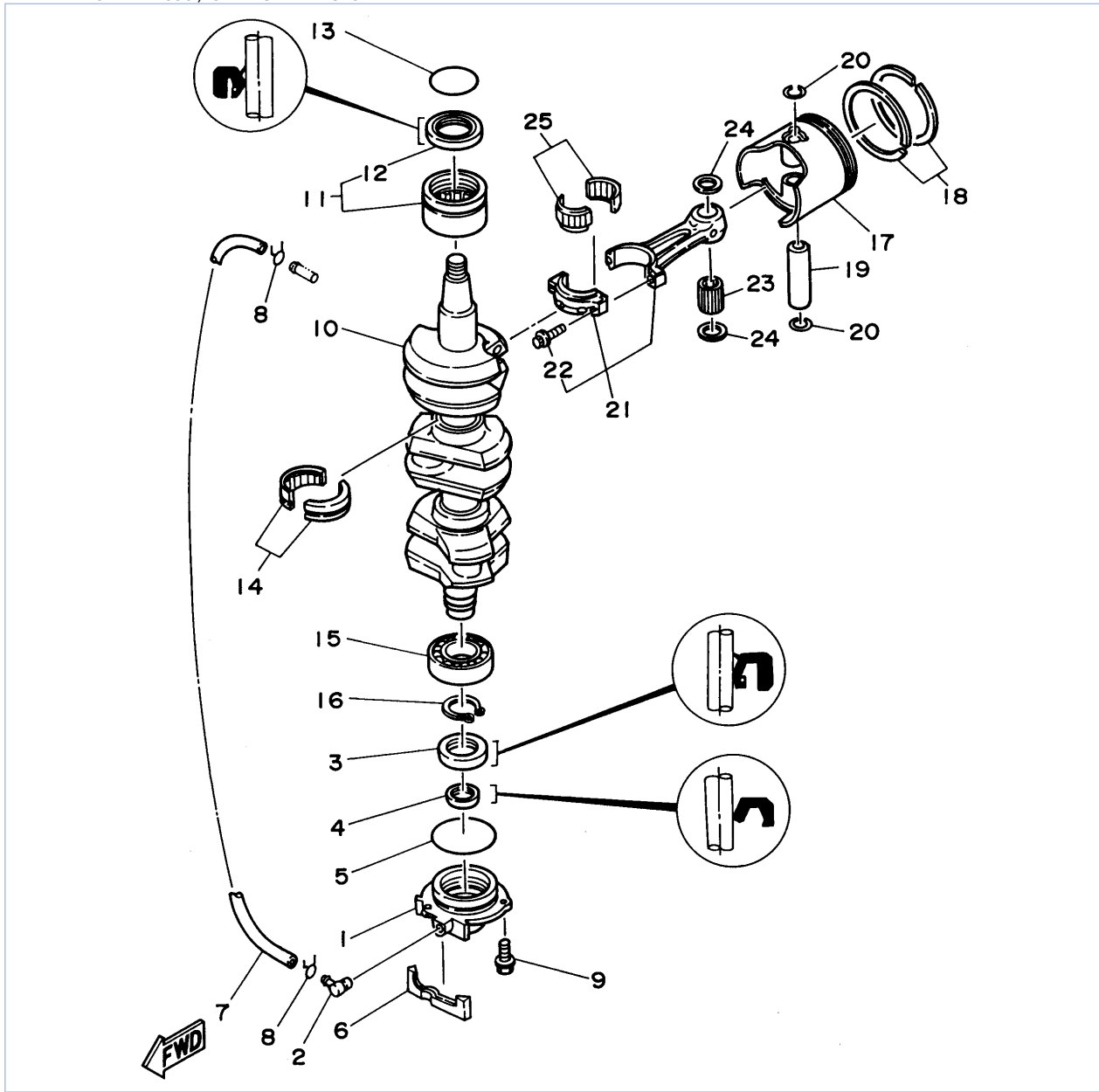
Part Notes

E75MLHW 1998 / CYLINDER CRANKCASE

PART NUMBER		NOTE TEXT
90480-20M05-00		OEM: This part number is among the Top 100 Most Popular Marine Maintenance Parts as of March 2014.
688-12414-A1-00		OEM: This part number is among the Top 100 Most Popular Marine Maintenance Parts as of March 2014.

©2014 Yamaha Motor Corporation, U.S.A. All rights reserved.

E75MLHW 1998 / CRANKSHAFT PISTON



©2014 Yamaha Motor Corporation, U.S.A. All rights reserved.


Part List

E75MLHW 1998 / CRANKSHAFT PISTON

REF - NO	PART NUMBER	PART NAME	QUANTITY	REMARKS
1	6H1-15359-01-94	HOUSING, OIL SEAL	1	
2	688-11370-00-00	CHECK VALVE ASSY	1	
3	93102-30M05-00	.OIL SEAL	1	
4	93104-20M02-00	OIL SEAL	1	
5	93210-62269-00	O-RING	1	
6	688-15379-00-00	SEAL, CRANKCASE	1	
7	90445-07M86-00	HOSE (L460)	1	
8	90467-06016-00	CLIP	2	
9	97595-06520-00	BOLT, WITH WASHER	3	
10	688-11411-01-00	CRANKSHAFT	1	
11	93310-636U4-00	BEARING	1	
12	93102-36M02-00	.OIL SEAL	1	
13	93210-46M16-00	.O-RING	1	
14	93310-835U8-00	BEARING	2	
15	93306-206U5-00	BEARING	1	
16	93410-32M00-00	CIRCLIP	1	
17	688-11635-03-00	PISTON (0.25MM O/S)	3	AP
17	688-11636-03-00	PISTON (0.50MM O/S)	3	AP
17	688-11631-03-94	PISTON (STD)	3	
18	688-11604-A0-00	PISTON RING SET (0.25MM O/S)	3	AP
18	688-11605-A0-00	PISTON RING SET (0.50MM O/S)	3	AP
18	688-11603-A0-00	PISTON RING SET (STD)	3	
19	663-11633-00-00	PIN, PISTON	3	
20	688-11634-00-00	CLIP, PISTON PIN	6	
21	688-11650-00-00	CONNECTING ROD ASSEMBLY	3	
22	90109-08M61-00	.BOLT	2	
23	93603-21111-00	PIN, DOWEL	84	
24	90201-20417-00	WASHER, PLATE	6	
25	93310-730V8-00	BEARING	3	

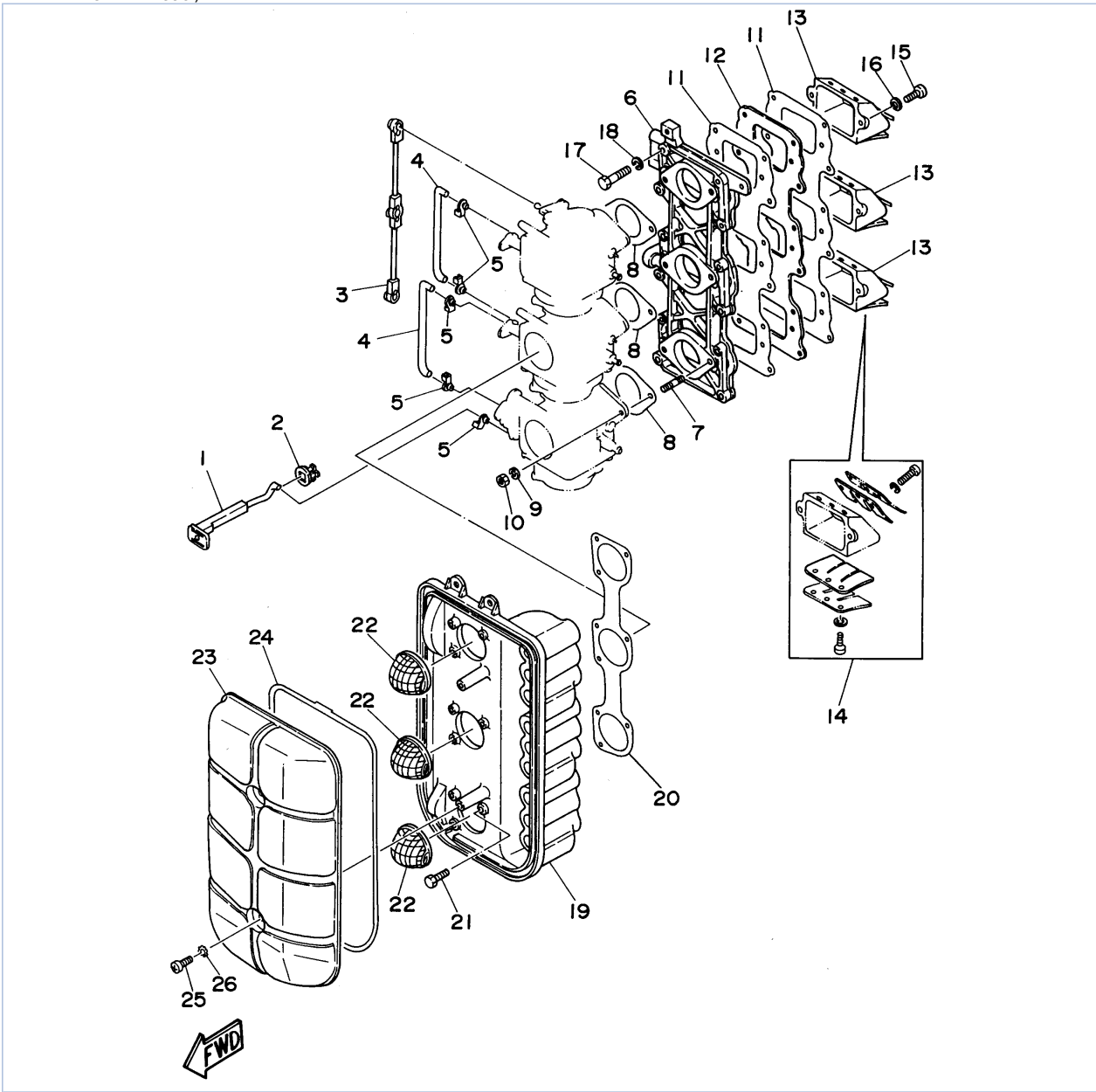
Part Notes

E75MLHW 1998 / CRANKSHAFT PISTON

PART NUMBER	NOTE TEXT
93603-21111-00 	OEM: This part number is among the Top 100 Most Popular Marine Maintenance Parts as of March 2014.

©2014 Yamaha Motor Corporation, U.S.A. All rights reserved.

E75MLHW 1998 / INTAKE



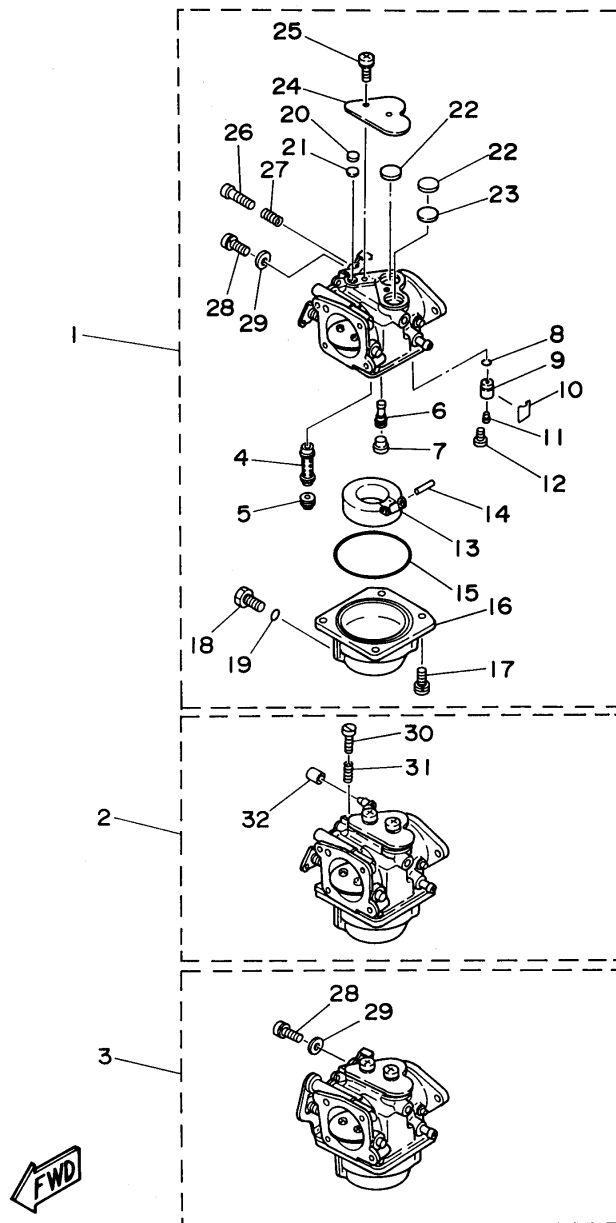
©2014 Yamaha Motor Corporation, U.S.A. All rights reserved.

Part List

E75MLHW 1998 / INTAKE

REF - NO	PART NUMBER	PART NAME	QUANTITY	REMARKS
1	692-41256-00-00	ROD, CHOKE 1	1	
2	689-41273-00-00	GROMMET	1	
3	688-41217-01-00	ROD, ACCEL. LEVER	1	
4	688-41257-01-00	ROD, CHOKE 2	2	
5	661-41262-02-00	JOINT, CHOKE LEVER	5	
6	688-13641-00-94	MANIFOLD 1	1	
7	90116-06122-00	BOLT, STUD	6	
8	688-14198-A1-00	GASKET	3	
9	92995-06100-00	WASHER, SPRING	6	
10	95380-06600-00	NUT, HEXAGON	6	
11	688-13621-A1-00	.GASKET, VALVE SEAT	2	
12	688-13624-00-00	PLATE, REED VALVE	1	
13	692-13610-00-00	REED VALVE ASSEMBLY	3	
14	692-W0004-00-00	.REED SET	1	
15	97880-05020-00	SCREW, PAN HEAD	6	
16	92990-05100-00	.WASHER, SPRING	6	
17	97013-06030-00	BOLT	12	
18	92903-06100-00	WASHER, SPRING	12	
19	688-14417-01-94	COVER 1	1	
20	688-14483-A0-00	GASKET	1	
21	97013-06018-00	BOLT	6	
22	688-14481-00-00	CAP, CARBURETOR	3	
23	688-14418-01-00	COVER 2	1	
24	688-14416-01-00	GASKET, AIR CLEANER	1	
25	97885-06016-00	SCREW, PAN HEAD	2	
26	90209-06M05-00	WASHER	2	

E75MLHW 1998 / CARBURETOR



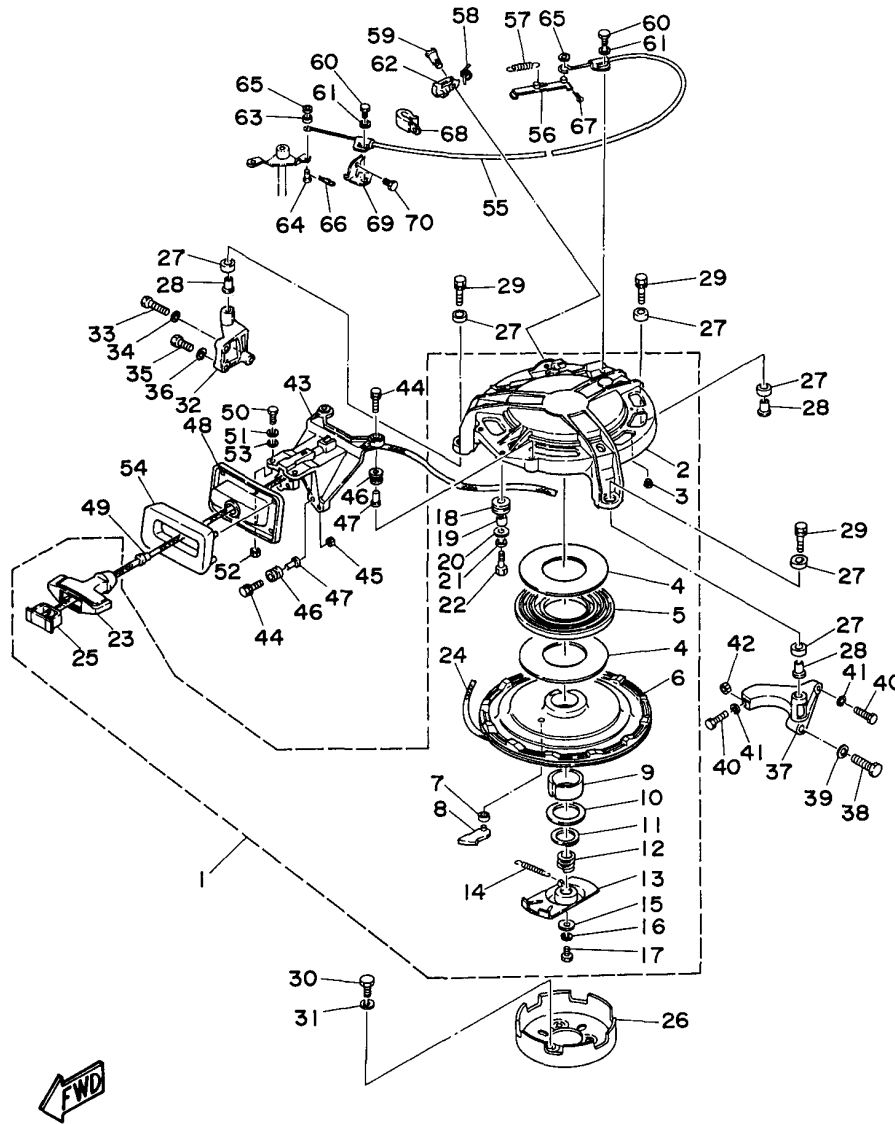
©2014 Yamaha Motor Corporation, U.S.A. All rights reserved.

Part List

E75MLHW 1998 / CARBURETOR

REF - NO	PART NUMBER	PART NAME	QUANTITY	REMARKS
1	692-14301-45-00	CARBURETOR ASSEMBLY 1	1	
2	692-14302-45-00	CARBURETOR ASSEMBLY 2	1	
3	692-14303-45-00	CARBURETOR ASSEMBLY 3	1	
4	692-14947-00-00	.JET, NEEDLE	3	
5	676-14943-41-00	.JET, MAIN (#170)	3	
6	676-14948-18-00	.JET (#78)	3	
7	676-14966-00-00	.CAP	3	
8	93210-04228-00	.O-RING	3	
9	692-14590-00-00	.VALVE SEAT	3	
10	663-14159-00-00	.CLIP	3	
11	676-14186-00-00	.PIN, FLOAT	3	
12	98580-04008-00	.SCREW, PAN HEAD	3	
13	676-14985-01-00	.FLOAT	3	
14	688-14548-00-00	.PIN, FLOAT ARM	3	
15	676-14984-00-00	.GASKET, FLOAT CHAMBER	3	
16	688-14980-00-00	.BODY, FLOAT CHAMBER	3	
17	97980-04114-00	.SCREW, WITH WASHER	12	
18	6H3-14992-00-00	.SCREW, DRAIN	3	
19	93210-04230-00	.O-RING	3	
20	663-14126-00-00	.GASKET	3	
21	663-14527-00-00	.PLATE	3	
22	688-14126-00-00	.GASKET	6	
23	688-14527-00-00	.PLATE	3	
24	688-14572-01-00	.PLATE, STAY	3	
25	97980-05310-00	.SCREW, WITH WASHER	6	
26	692-14923-00-00	.SCREW, PILOT	3	
27	679-14555-00-00	.SPRING	3	
28	6K5-14592-00-00	.SCREW	2	UPPER/ LOWER
29	90201-05652-00	.WASHER, PLATE	2	UPPER/ LOWER
30	63V-14523-00-00	.SCREW, STOP	1	CENTER
31	90501-10326-00	.SPRING, COMPRESSION	1	CENTER
32	6H2-14578-00-00	.COLLAR	1	CENTER

E75MLHW 1998 / STARTER



©2014 Yamaha Motor Corporation, U.S.A. All rights reserved.

Part List



E75MLHW 1998 / STARTER

REF - NO	PART NUMBER	PART NAME	QUANTITY	REMARKS
1	692-W1571-02-00	STARTER ASSY	1	
2	692-15711-00-00	.CASE, STARTER	1	
3	648-15773-00-00	.STAY 3	5	
4	663-15739-00-00	.WASHER, THRUST	2	
5	663-15713-00-00	.SPRING, STARTER	1	
6	663-15714-01-00	.DRUM, SHEAVE	1	
7	663-15764-00-00	.COLLAR 1	1	
8	663-15741-02-00	.PAWL, DRIVE	1	
9	663-15754-00-00	.BUSH 2	1	
10	663-15726-01-00	.WASHER, FLAT	1	
11	663-15744-00-00	.CIRCLIP	1	
12	663-15715-00-00	.SPRING, FRICTION	1	
13	663-15716-01-00	.PLATE, DRIVE	1	
14	663-15734-01-00	.SPRING, RETURN	1	
15	663-15719-00-00	.WASHER, THRUST	1	
16	92903-06100-00	.WASHER, SPRING	1	
17	97303-06016-00	.BOLT	1	
18	663-15752-00-00	.ROLLER, WIRE	1	
19	663-15753-00-00	.BUSH	1	
20	663-15791-00-00	.WASHER, LOCK	1	
21	92903-06100-00	.WASHER, SPRING	1	
22	97303-06025-00	.BOLT	1	
23	689-15755-01-00	.HANDLE, STARTER	1	
24	5V6-15751-00-XX	.WIRE, STARTER	1	
25	6F5-15779-02-00	.COVER	1	
26	6K5-15723-00-00	PULLEY, STARTER	1	
27	90385-12M04-00	BUSH	6	
28	90387-08M05-00	COLLAR	3	
29	90119-08M26-00	BOLT, WITH WASHER	3	
30	97013-08016-00	BOLT	3	
31	92990-08100-00	WASHER, SPRING	3	
32	692-15771-00-00	STAY 1	1	
33	97013-06035-00	BOLT	1	
34	92903-06100-00	WASHER, SPRING	1	
35	97013-06025-00	BOLT	2	
36	92903-06100-00	WASHER, SPRING	2	
37	692-15772-00-00	STAY 2	1	
38	97013-08040-00	BOLT	1	
39	92903-08100-00	WASHER, SPRING	1	
40	97013-06030-00	BOLT	2	
41	92903-06100-00	WASHER, SPRING	2	
42	95303-06600-00	.NUT	1	
43	697-15787-00-94	ADAPTOR	1	
44	90119-06M30-00	BOLT, WITH WASHER	4	
45	95303-06600-00	.NUT	2	
46	6A0-82317-00-00	DAMPER, IGNITION COIL	4	
47	624-42542-00-00	PIPE	4	
48	692-15758-01-94	GUIDE, ROPE	1	
49	697-15789-00-00	DAMPER	1	
50	97095-06020-00	BOLT	2	
51	92995-06100-00	WASHER, SPRING	2	
52	92995-06600-00	WASHER	2	
53	95303-06600-00	.NUT	2	

54	697-15762-00-00	SEAL, RUBBER 2	1	
55	692-15770-01-00	CABLE COMP., STARTER STOP	1	
56	663-15735-01-00	GUIDE, CAM	1	
57	90506-08M23-00	SPRING, TENSION	1	
58	90508-12015-00	SPRING, TORSION	1	
59	90149-05095-00	SCREW	1	
60	97095-06012-00	BOLT	2	
61	92990-06600-00	WASHER, PLATE	2	
62	663-15794-00-00	STOPPER	1	
63	663-15736-00-00	RING, RETAINING 1	1	
64	90240-06M18-00	PIN, CLEVIS	1	
65	92995-06200-00	.WASHER	2	
66	90468-18008-00	CLIP	1	
67	91490-16012-00	.PIN, COTTER	1	
68	90465-06M28-00	.CLAMP	1	
69	663-15772-01-00	STAY 2	1	
70	97313-08012-00	BOLT, HEXAGON	1	

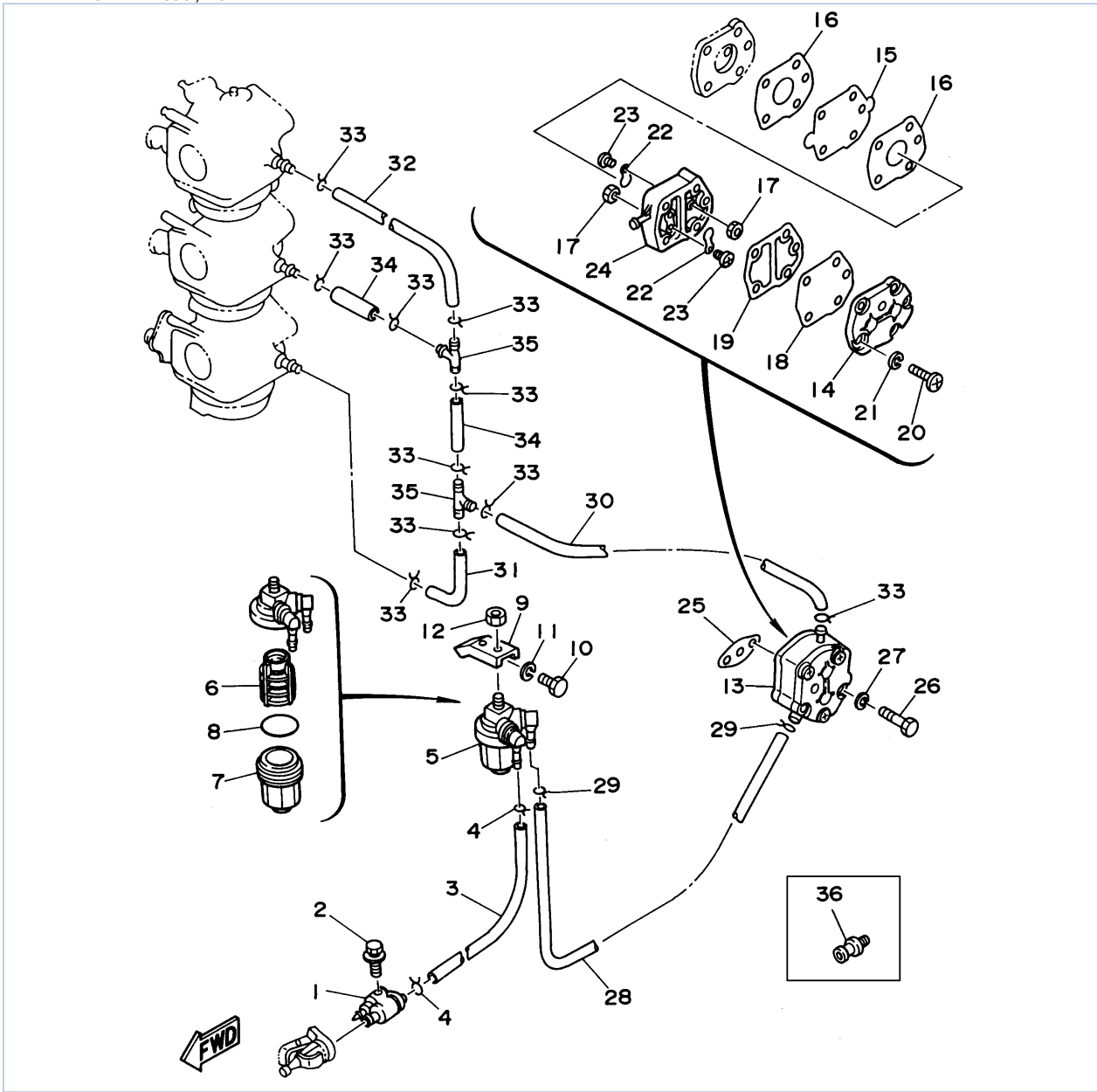
Part Notes

E75MLHW 1998 / STARTER

PART NUMBER		NOTE TEXT
92990-06600-00		OEM: This part number is among the Top 100 Most Popular Marine Maintenance Parts as of March 2014.
90468-18008-00		OEM: This part number is among the Top 100 Most Popular Marine Maintenance Parts as of March 2014.

©2014 Yamaha Motor Corporation, U.S.A. All rights reserved.

E75MLHW 1998 / FUEL



©2014 Yamaha Motor Corporation, U.S.A. All rights reserved.



Part List

E75MLHW 1998 / FUEL

REF - NO	PART NUMBER	PART NAME	QUANTITY	REMARKS
1	6G1-24304-02-00	FUEL PIPE JOINT COMP. 1	1	
2	97595-06520-00	BOLT, WITH WASHER	1	
3	90445-09090-00	HOSE	1	
4	90467-08004-00	CLIP	2	
5	61N-24560-00-00	FILTER ASSY	1	
6	61N-24563-00-00	.ELEMENT, FILTER	1	
7	61N-24521-00-00	.CUP, FILTER	1	
8	93210-32738-00	.O-RING	1	
9	648-24566-01-00	BRACKET, FILTER	1	
10	97013-06014-00	BOLT	1	
11	92903-06100-00	WASHER, SPRING	1	
12	95380-08600-00	NUT	1	
13	692-24410-00-00	FUEL PUMP ASSY	1	
14	6A0-24413-00-00	.BODY 2	1	
15	692-24411-00-00	.DIAPHRAGM	1	
16	648-24434-01-00	.GASKET, BODY	2	
17	95380-03600-00	.NUT	2	
18	663-24411-00-00	.DIAPHRAGM	1	
19	648-24435-02-00	.GASKET, BODY 2	1	
20	98503-05028-00	.SCREW, PAN HEAD	3	
21	92990-05100-00	.WASHER, SPRING	3	
22	6A0-24421-01-00	.VALVE, CHECK	2	
23	6A0-14325-00-00	.SCREW, PAN HEAD	2	
24	6A0-24412-02-00	.BODY 1	1	
25	650-24431-A0-00	GASKET, FUEL PUMP 1	1	
26	97095-06040-00	.BOLT	2	
27	92995-06600-00	WASHER	2	
28	90445-09221-00	HOSE (L205)	1	
29	90467-08004-00	CLIP	2	
30	90445-09097-00	HOSE (L250)	1	
31	688-24313-00-00	PIPE 3	1	
32	688-24314-00-00	PIPE 4	1	
33	90467-08004-00	CLIP	10	
34	90445-09220-00	HOSE (L30)	2	
35	688-24378-00-00	PIPE, JOINT 3	2	
36	6E0-28193-00-94	PLUG, WATER CHECK	1	AP

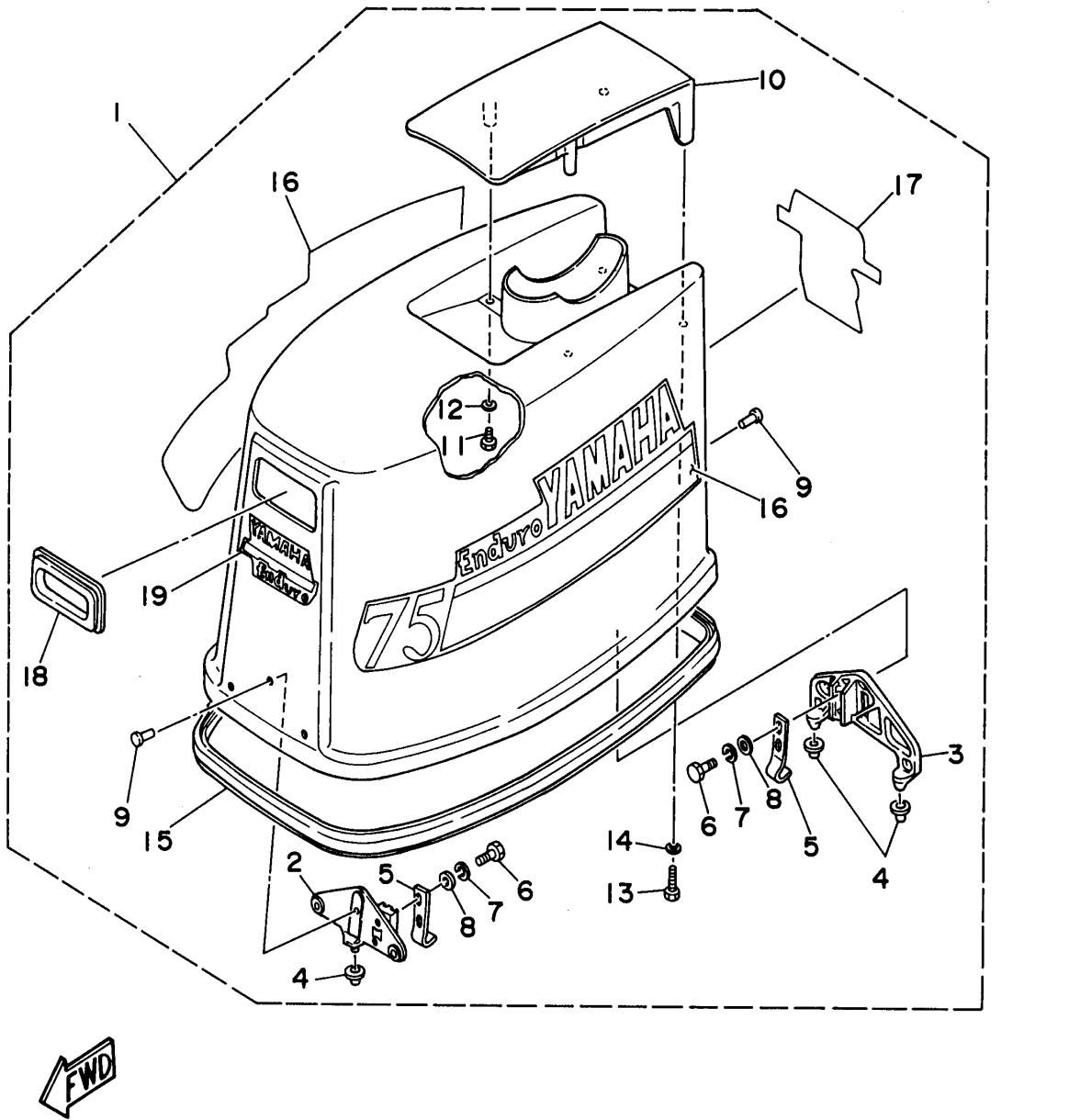
Part Notes

E75MLHW 1998 / FUEL

PART NUMBER	NOTE TEXT
692-24410-00-00 	OEM: This part number is among the Top 100 Most Popular Marine Maintenance Parts as of March 2014.
650-24431-A0-00 	OEM: This part number is among the Top 100 Most Popular Marine Maintenance Parts as of March 2014.

©2014 Yamaha Motor Corporation, U.S.A. All rights reserved.

E75MLHW 1998 / TOP COWLING



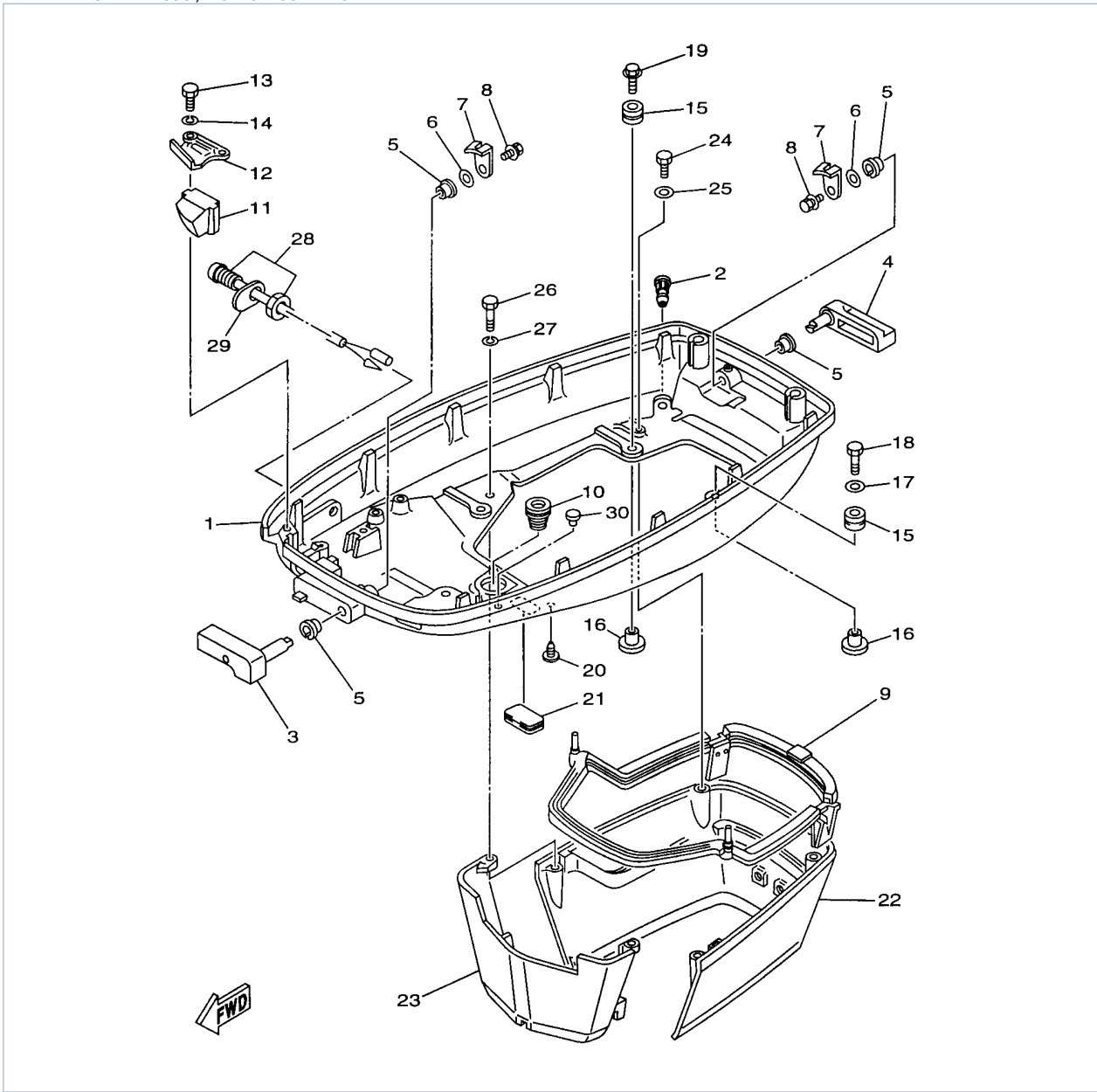
©2014 Yamaha Motor Corporation, U.S.A. All rights reserved.

Part List

E75MLHW 1998 / TOP COWLING

REF - NO	PART NUMBER	PART NAME	QUANTITY	REMARKS
1	692-42610-H1-4D	TOP COWLING ASSEMBLY	1	
2	688-42647-00-94	.HOLDER, CLAMP BAND	1	
3	692-42649-00-94	.HOLDER, CLAMP BAND	1	
4	663-42662-00-00	.DAMPER	3	
5	688-42652-10-00	.HOOK	2	
6	97095-06018-00	.BOLT	4	
7	92995-06100-00	.WASHER, SPRING	4	
8	92995-06600-00	.WASHER	4	
9	90266-06009-00	.RIVET	6	
10	692-42613-01-4D	.MOLDING, AIR DUCT	1	
11	97095-06016-00	.BOLT	2	
12	92995-06600-00	.WASHER	2	
13	97095-06020-00	.BOLT	2	
14	92995-06600-00	.WASHER	2	
15	688-42615-00-00	.SEAL	1	
16	692-W0070-H0-00	.GRAPHIC SET	1	
17	692-42678-H0-00	.GRAPHIC, REAR	1	
18	697-15761-01-00	.SEAL, RUBBER 1	1	
19	61N-42677-H0-00	.GRAPHIC, FRONT	1	

E75MLHW 1998 / BOTTOM COWLING



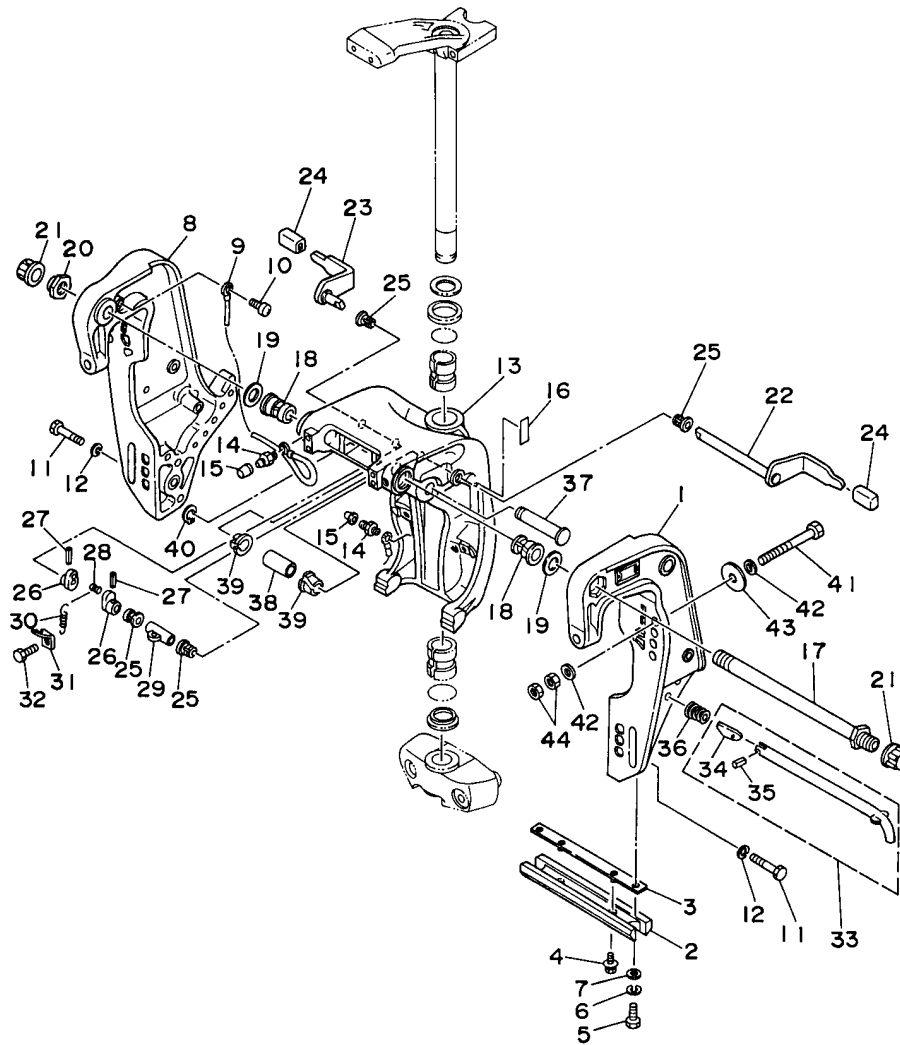
©2014 Yamaha Motor Corporation, U.S.A. All rights reserved.

Part List

E75MLHW 1998 / BOTTOM COWLING

REF - NO	PART NUMBER	PART NAME	QUANTITY	REMARKS
1	692-42711-02-4D	COWLING, BOTTOM	1	
2	6H3-44391-01-00	NIPPLE, HOSE	1	
3	688-42815-01-4D	LEVER, CLAMP	1	
4	688-42817-01-4D	LEVER, CLAMP	1	
5	90386-13M38-00	BUSH	4	
6	90206-13019-00	WASHER, WAVE	2	
7	688-42816-00-00	LEVER, CLAMP 2	2	
8	90119-06M09-00	BOLT, WITH WASHER	2	
9	688-42716-02-00	RUBBER, SEAL 1	1	
10	663-42724-00-00	GROMMET	1	
11	692-42725-10-00	GROMMET	1	
12	688-42738-01-94	PLATE, FITTING	1	
13	97095-06016-00	BOLT	2	
14	92995-06600-00	WASHER	2	
15	90480-09M12-00	GROMMET	4	
16	90387-06M69-00	COLLAR	4	
17	90201-06416-00	WASHER, PLATE	1	
18	97095-06030-00	BOLT	1	
19	90119-06M61-00	BOLT, WITH WASHER	3	
20	90338-05M03-00	PLUG	1	
21	6H4-42726-00-00	GROMMET	1	
22	688-42741-01-4D	APRON	1	
23	688-42771-01-4D	APRON	1	
24	97095-06020-00	BOLT	2	
25	92995-06100-00	WASHER, SPRING	2	
26	97095-06030-00	BOLT	2	
27	92995-06100-00	WASHER, SPRING	2	
28	6H4-85411-00-00	OVERHEAT WARNING LAMP	1	
29	692-85415-00-00	MARK, SIGNAL LAMP	1	
30	703-82119-00-00	COVER, LEAD WIRE	1	

E75MLHW 1998 / BRACKET 1



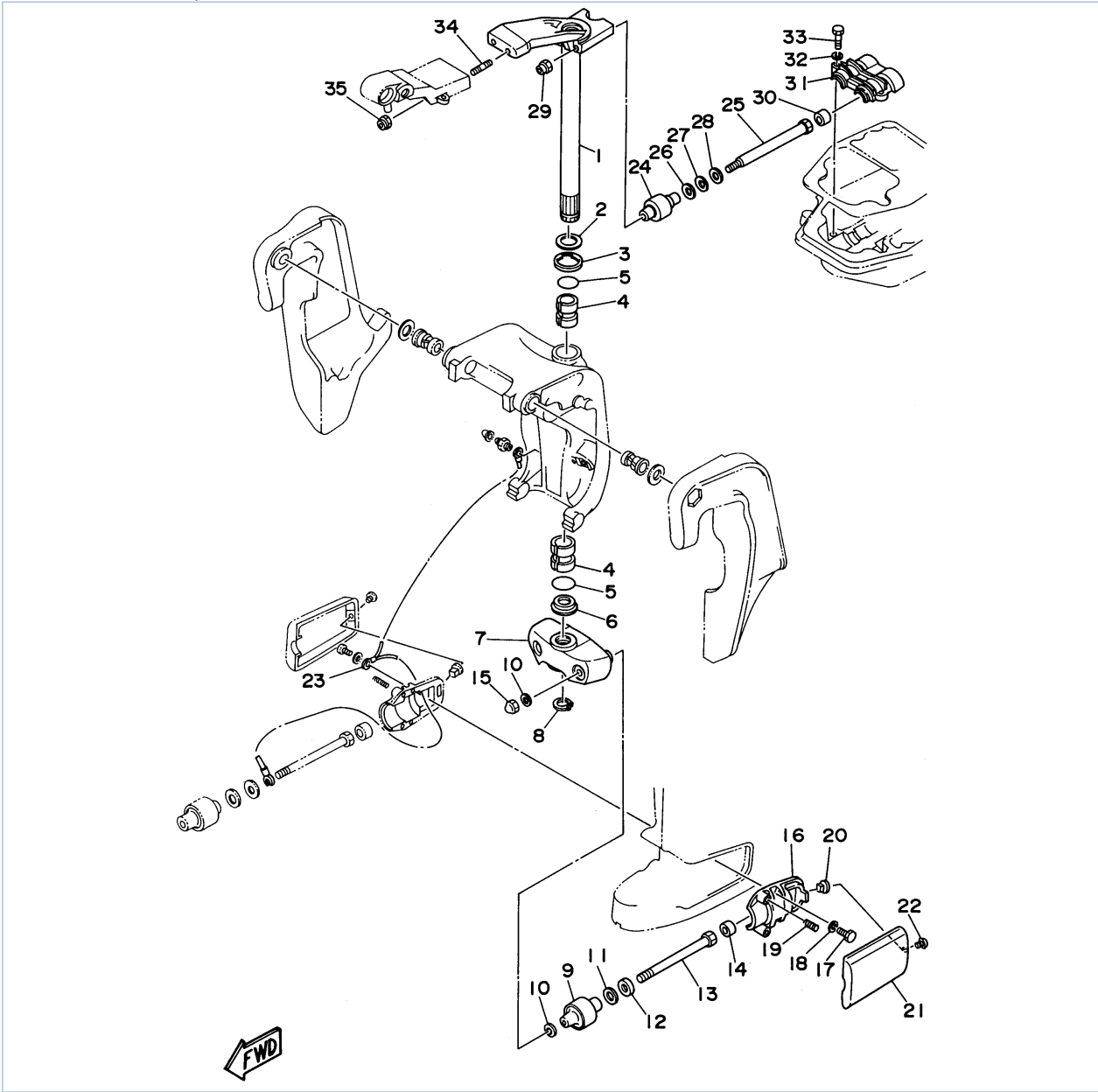
©2014 Yamaha Motor Corporation, U.S.A. All rights reserved.

Part List

E75MLHW 1998 / BRACKET 1

REF - NO	PART NUMBER	PART NAME	QUANTITY	REMARKS
1	688-43111-13-4D	BRACKET, CLAMP	1	
2	6H1-45251-02-00	ANODE	1	
3	6H1-44526-00-00	PLATE	1	
4	90119-06M29-00	BOLT, WITH WASHER	2	
5	97095-06016-00	BOLT	2	
6	92995-06100-00	WASHER, SPRING	2	
7	92995-06600-00	WASHER	2	
8	688-43112-12-4D	BRACKET, CLAMP	1	
9	6E5-82148-00-00	WIRE, LEAD 4	1	
10	97880-06012-00	SCREW, PAN HEAD	1	
11	97095-10045-00	BOLT	6	
12	92995-10100-00	WASHER	6	
13	6H1-43311-01-4D	BRACKET, SWIVEL 1	1	
14	93700-06M03-00	NIPPLE, GREASE	3	
15	663-45119-00-00	CAP, GREASE NIPPLE	3	AP
16	688-43691-01-00	INDICATOR, TILT	1	
17	688-43131-03-00	BOLT, CLAMP BRACKET	1	
18	90386-22M15-00	BUSH	2	
19	90201-22M67-00	WASHER, PLATE	2	
20	90185-22043-00	NUT, SELF-LOCKING	1	
21	6G5-43145-00-00	CAP, CLAMP BRACKET	2	
22	688-43181-10-00	LEVER, TILT STOP	1	
23	688-43185-10-00	LEVER, TILT STOP	1	
24	663-43318-00-00	COVER	2	
25	90386-10M16-00	BUSH	4	
26	6G5-43148-00-00	COLLAR, DISTANCE	2	
27	91690-30020-00	PIN, SPRING	2	
28	90249-06M19-00	PIN	1	
29	90387-10M02-00	COLLAR	1	
30	90506-14M24-00	SPRING, TENSION	1	
31	6G5-43144-00-00	HOOK, SPRING	1	
32	97095-06010-00	BOLT	1	
33	688-43160-01-00	TILT ROD ASSY	1	
34	688-43165-00-00	.PLATE, TILT LOCK	1	
35	91690-30012-00	.PIN, SPRING	1	
36	90502-16M02-00	SPRING, CONICAL	1	
37	6E5-43126-02-00	PIN, UPPER SHOCK MOUNT	1	
38	90386-18M21-00	BUSH	1	
39	90386-18M35-00	BUSH	2	
40	93410-18M02-00	CIRCLIP	1	
41	90101-12M65-00	BOLT	4	
42	92990-12200-00	WASHER, PLAIN	8	
43	90201-12426-00	WASHER, PLATE	4	
44	95380-12600-00	NUT	8	

E75MLHW 1998 / BRACKET 2



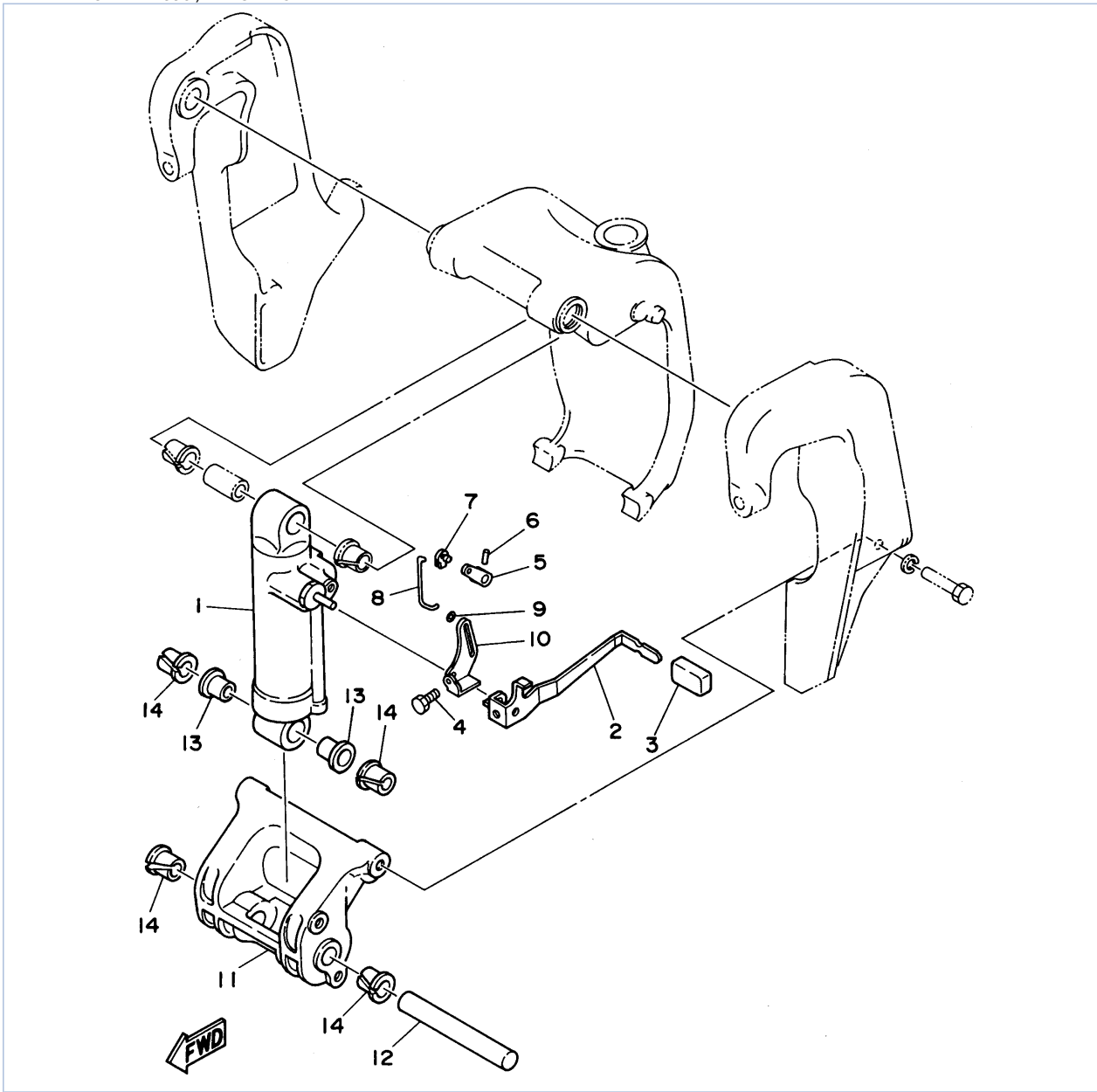
©2014 Yamaha Motor Corporation, U.S.A. All rights reserved.

Part List

E75MLHW 1998 / BRACKET 2

REF - NO	PART NUMBER	PART NAME	QUANTITY	REMARKS
1	688-42510-02-4D	STEERING BRACKET ASSY	1	
2	90201-30M00-00	WASHER, PLATE	1	
3	90386-30M78-00	BUSH	1	
4	90386-30M77-00	BUSH	2	
5	93210-29M94-00	O-RING	2	
6	90386-30M60-00	BUSH	1	
7	663-44551-02-4D	HOUSING, LOWER MOUNT RUBBER	1	
8	93410-28M06-00	CIRCLIP	1	
9	687-44555-00-94	MOUNT DAMPER, LOWER SIDE	2	
10	90201-12M16-00	WASHER, PLATE	4	
11	90202-25M04-00	WASHER, PLATE	2	
12	90201-13M19-00	WASHER, PLATE	2	
13	90109-12261-00	BOLT	2	
14	663-44575-00-00	DAMPER, LOWER MOUNT RUBBER	2	
15	95380-12800-00	NUT, CROWN	2	
16	687-44552-02-94	HOUSING, LOWER MOUNT RUBBER	2	
17	97075-08025-00	BOLT	4	
18	92995-08100-00	WASHER	4	
19	90501-14M08-00	SPRING, COMPRESSION	4	
20	90179-06066-00	NUT	2	
21	663-44553-01-4D	COVER, LOWER MOUNT	2	
22	97885-06016-00	SCREW, PAN HEAD	2	
23	688-82127-02-00	WIRE, LEAD 2	1	
24	688-44514-00-94	MOUNT DAMPER, UPPER SIDE	2	
25	90101-10M49-00	BOLT	2	
26	90201-20M21-00	WASHER, PLATE	2	
27	90202-20M06-00	WASHER, PLATE	2	
28	90201-11M22-00	WASHER, PLATE	2	
29	90185-10051-00	NUT, SELF-LOCKING	2	
30	663-44575-00-00	DAMPER, LOWER MOUNT RUBBER	2	
31	688-44511-00-94	COVER, UPPER MOUNT	1	
32	97075-08035-00	BOLT	3	
33	92995-08100-00	WASHER	3	
34	90116-10175-00	BOLT, STUD	2	
35	90185-10051-00	NUT, SELF-LOCKING	2	

E75MLHW 1998 / BRACKET 3



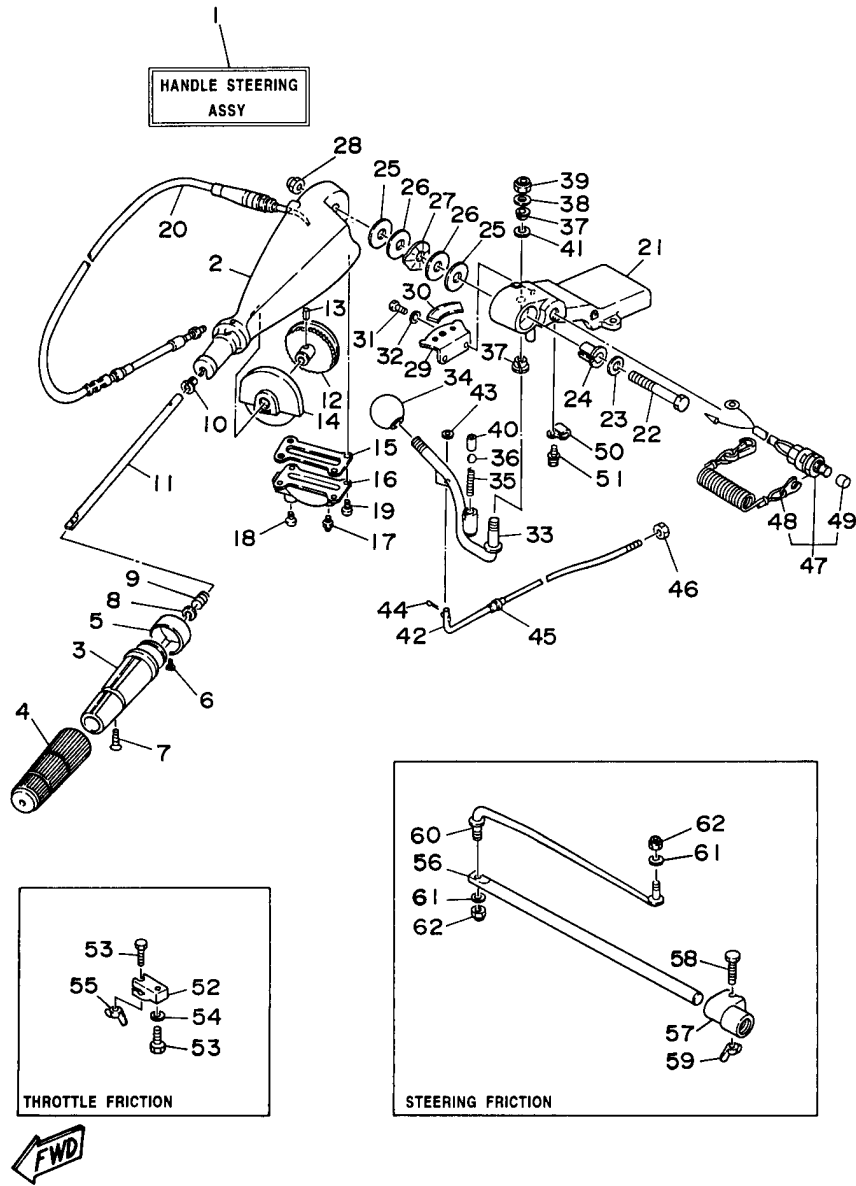
©2014 Yamaha Motor Corporation, U.S.A. All rights reserved.

Part List

E75MLHW 1998 / BRACKET 3

REF - NO	PART NUMBER	PART NAME	QUANTITY	REMARKS
1	688-43170-04-4D	SHOCK ABSORBER ASSY	1	
2	688-43631-10-00	LEVER, TILT	1	
3	682-43318-01-00	COVER	1	
4	97080-06010-00	BOLT	1	
5	688-43186-00-00	LEVER	1	
6	91690-30020-00	PIN, SPRING	1	
7	6J8-41262-00-00	JOINT, CHOKE LEVER	1	
8	688-43616-00-00	ROD, TILT LOCK	1	
9	90202-03M51-00	WASHER, PLATE	1	
10	688-43651-00-00	LEVER, REVERSE LOCK 1	1	
11	688-43128-01-4D	SPACER, CLAMP BRACKET	1	
12	688-43124-02-00	PIN, LOWER SHOCK MOUNT	1	
13	90386-18M63-00	BUSH	2	
14	90386-18M35-00	BUSH	4	

E75MLHW 1998 / STEERING



©2014 Yamaha Motor Corporation, U.S.A. All rights reserved.

Part List


E75MLHW 1998 / STEERING

REF - NO	PART NUMBER	PART NAME	QUANTITY	REMARKS
1	692-W0084-11-4D	HANDLE STEERING ASSEMBLY	1	
2	692-42111-12-4D	HANDLE, STEERING	1	
3	664-42119-00-00	GRIP, STEERING HANDLE	1	
4	6F6-42177-A0-00	RUBBER, HANDLE	1	
5	692-42137-02-00	INDICATOR, THROTTLE	1	
6	90269-02M09-00	RIVET	1	
7	90149-05M13-00	SCREW	1	
8	92903-10600-00	WASHER, PLATE	1	
9	90501-23215-00	SPRING, COMPRESSION	1	
10	90386-08032-00	BUSH	1	
11	692-42115-00-00	SHAFT, STEERING HANDLE	1	
12	663-42138-00-00	LEVER, THROTTLE	1	
13	91690-30216-00	PIN, SPRING	1	
14	692-42135-00-00	HOUSING, THROTTLE LEVER	1	
15	663-42133-01-00	GASKET	1	
16	692-42134-03-94	COVER, THROTTLE LEVER	1	
17	93700-06M03-00	NIPPLE, GREASE	1	
18	97885-06008-00	SCREW, PAN HEAD	1	
19	97885-05012-00	SCREW, PAN HEAD	4	
20	692-26301-03-00	THROTTLE CABLE ASSY	1	
21	692-42121-01-4D	BRACKET	1	
22	90101-12M06-00	BOLT	1	
23	92990-12200-00	WASHER, PLAIN	1	
24	90386-12089-00	BUSH	1	
25	90202-12092-00	WASHER, PLATE	2	
26	90201-12537-00	WASHER, PLATE	2	
27	90206-12054-00	WASHER, WAVE	1	
28	90185-12058-00	NUT, SELF-LOCKING	1	
29	697-44113-00-00	CAM PLATE, HANDLE	1	
30	6K5-44191-00-00	INDICATOR, SHIFT	1	
31	97095-06016-00	BOLT	2	
32	92903-06100-00	WASHER, SPRING	2	
33	692-44159-01-00	HANDLE, GEAR SHIFT	1	
34	663-44173-00-00	LEVER, SHIFT CONTROL	1	
35	90501-16M17-00	SPRING, COMPRESSION	1	
36	93515-32M01-00	BALL	1	
37	90386-10009-00	.BUSH	2	
38	90201-10120-00	.WASHER, PLATE	1	
39	90185-10051-00	NUT, SELF-LOCKING	1	
40	90387-12M30-00	COLLAR	1	
41	90201-12M34-00	.WASHER, PLATE	1	
42	692-42164-00-00	ROD, MANUAL SHIFT	1	
43	92990-06600-00	WASHER, PLATE	1	
44	91490-25012-00	PIN, COTTER	1	
45	90386-06088-00	BUSH	1	
46	700-48339-00-00	NUT, CABLE END	1	
47	697-82575-00-00	ENGINE STOP SWITCH ASSEMBLY	1	
48	682-82556-00-00	.LANYARD, STOP SWITCH	1	
49	682-8257Y-00-00	.CAP	1	
50	90465-06M28-00	.CLAMP	1	
51	97513-06112-00	BOLT, WITH WASHER	1	
52	663-42126-01-00	THROTTLE FRICTION	1	

53	97080-06025-00	BOLT	2	
54	92990-06600-00	WASHER, PLATE	1	
55	90175-06003-00	.NUT, WING	1	
56	663-42518-00-00	.SHAFT, FRICTION	1	
57	663-42528-00-00	.PLATE, FRICTION	1	
58	97095-06035-00	BOLT	1	
59	90175-06003-00	.NUT, WING	1	
60	692-42515-01-00	.ROD, STEERING LINK	1	
61	92990-08600-00	..WASHER, PLATE	2	
62	95780-08300-00	..NUT, FLANGE	2	

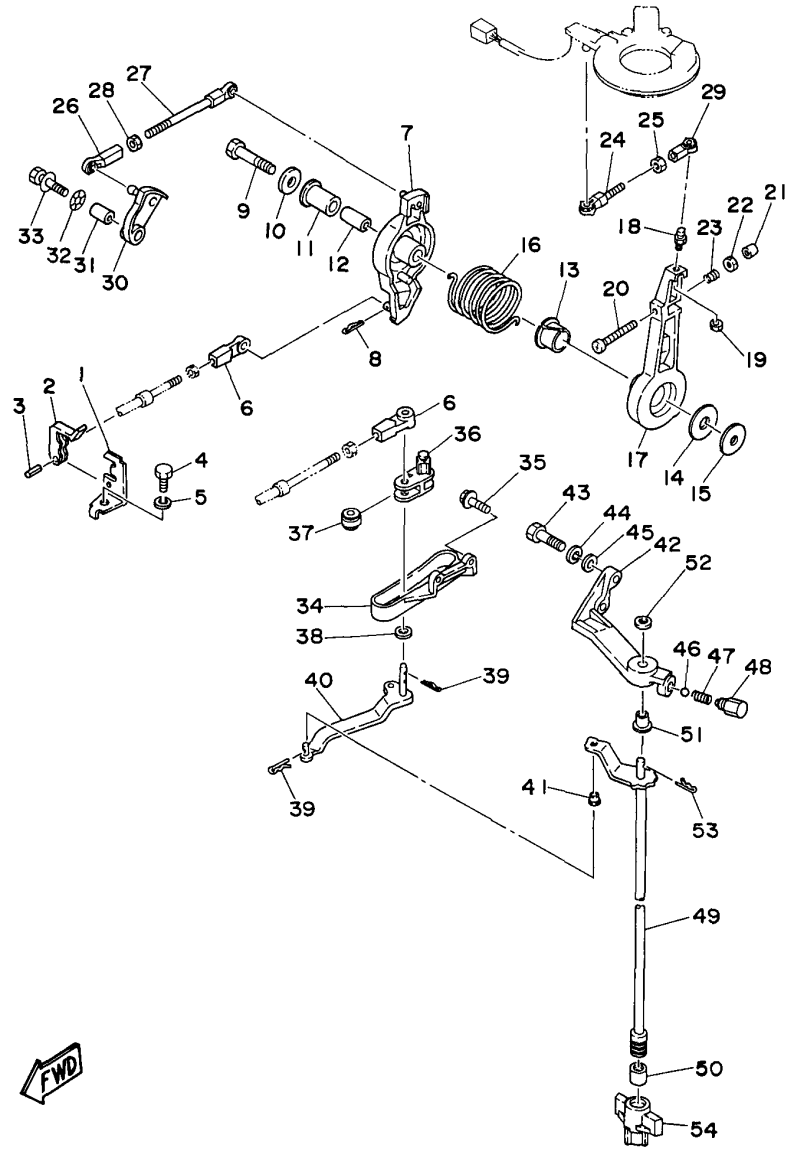
Part Notes

E75MLHW 1998 / STEERING

PART NUMBER		NOTE TEXT
92990-06600-00		OEM: This part number is among the Top 100 Most Popular Marine Maintenance Parts as of March 2014.
682-82556-00-00		OEM: This part number is among the Top 100 Most Popular Marine Maintenance Parts as of March 2014.
92990-06600-00		OEM: This part number is among the Top 100 Most Popular Marine Maintenance Parts as of March 2014.

©2014 Yamaha Motor Corporation, U.S.A. All rights reserved.

E75MLHW 1998 / CONTROL



©2014 Yamaha Motor Corporation, U.S.A. All rights reserved.

Part List




E75MLHW 1998 / CONTROL

REF - NO	PART NUMBER	PART NAME	QUANTITY	REMARKS
1	663-48531-00-00	BRACKET, REMOTE CONTROL	1	
2	663-48538-00-00	CLAMP, CABLE 1	1	
3	91690-30012-00	.PIN, SPRING	1	
4	97095-08016-00	BOLT	1	
5	92995-08100-00	WASHER	1	
6	663-48344-00-00	.CABLE END, REMOTE CONTROL	2	
7	688-41632-01-94	LEVER, MAGNETO CONTROL	1	
8	90468-18008-00	CLIP	1	
9	97095-08045-00	.BOLT	1	
10	90201-08M23-00	WASHER, PLATE	1	
11	90386-12089-00	BUSH	1	
12	90387-08M16-00	COLLAR	1	
13	90386-22M13-00	BUSH	1	
14	90202-12092-00	WASHER, PLATE	1	
15	90201-08M13-00	WASHER, PLATE	1	
16	90508-29M05-00	SPRING, TORSION	1	
17	688-41631-01-94	LEVER, MAGNETO CONTROL	1	
18	663-85518-00-00	JOINT, BALL	1	
19	95303-05700-00	.NUT	1	
20	90157-06013-00	SCREW, PAN HEAD	1	
21	688-44194-00-00	CAP	1	
22	95303-06600-00	.NUT	1	
23	90501-16M12-00	SPRING, COMPRESSION	1	
24	682-41237-50-00	JOINT, LINK	1	
25	95380-05600-00	NUT	1	
26	682-41237-00-00	JOINT, LINK	1	
27	688-41211-01-00	LINK, ACCEL.	1	
28	95380-05600-00	NUT	1	
29	682-41237-00-00	JOINT, LINK	1	
30	688-41213-00-00	CAM, ACCEL.	1	
31	90387-06M17-00	COLLAR	1	
32	90206-10M04-00	WASHER, WAVE	1	
33	90119-06M24-00	BOLT, WITH WASHER	1	
34	688-44117-00-94	BRACKET	1	
35	97513-06520-00	BOLT, WITH WASHER	2	
36	688-44124-00-00	LINK, SHIFT ROD	1	
37	688-44122-00-00	BUSHING, SHIFT ROD LEVER	1	
38	90202-07M07-00	WASHER, PLATE	1	
39	90468-18008-00	CLIP	3	
40	688-44121-02-00	LEVER, SHIFT ROD	1	
41	90386-06M12-00	BUSH	1	
42	688-44118-00-94	BRACKET	1	
43	97013-08030-00	BOLT	2	
44	92903-08100-00	WASHER, SPRING	2	
45	92903-08600-00	WASHER, PLATE	2	
46	93501-04M02-00	BALL	1	
47	90501-12082-00	SPRING, COMPRESSION	1	
48	648-42715-00-00	BUSHING	1	
49	692-44120-12-00	HANDLE GEAR SHIFT ASSEMBLY	1	
50	696-44147-00-00	BOOT, SHIFT ROD	1	
51	90386-08006-00	BUSH	1	
52	92990-08200-00	WASHER, PLAIN	1	

53	90468-18008-00	CLIP	1
54	697-43662-00-00	GUIDE, REVERSE ROD	1

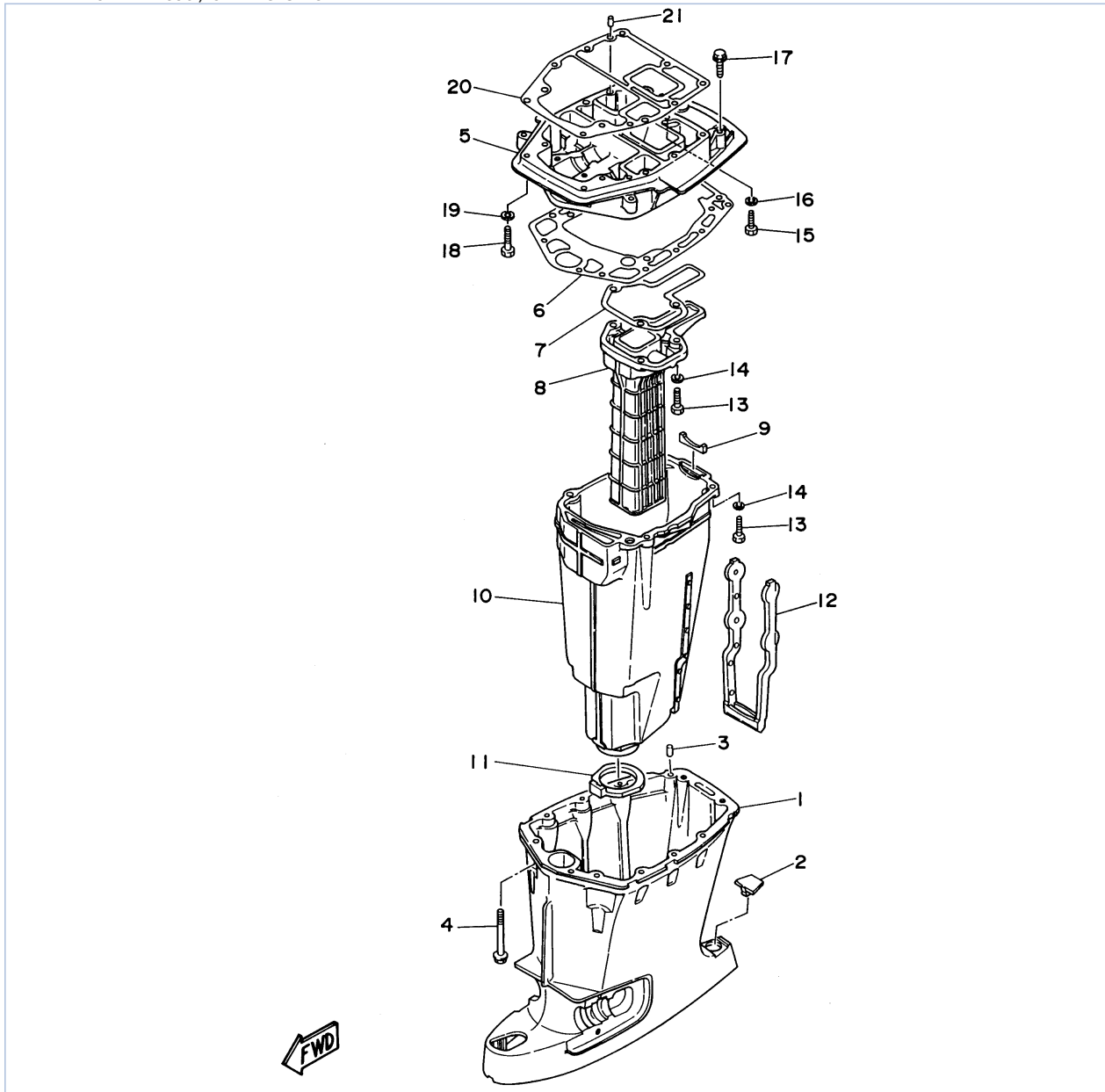
Part Notes

E75MLHW 1998 / CONTROL

PART NUMBER		NOTE TEXT
90468-18008-00		OEM: This part number is among the Top 100 Most Popular Marine Maintenance Parts as of March 2014.
90468-18008-00		OEM: This part number is among the Top 100 Most Popular Marine Maintenance Parts as of March 2014.
90468-18008-00		OEM: This part number is among the Top 100 Most Popular Marine Maintenance Parts as of March 2014.

©2014 Yamaha Motor Corporation, U.S.A. All rights reserved.

E75MLHW 1998 / UPPER CASING



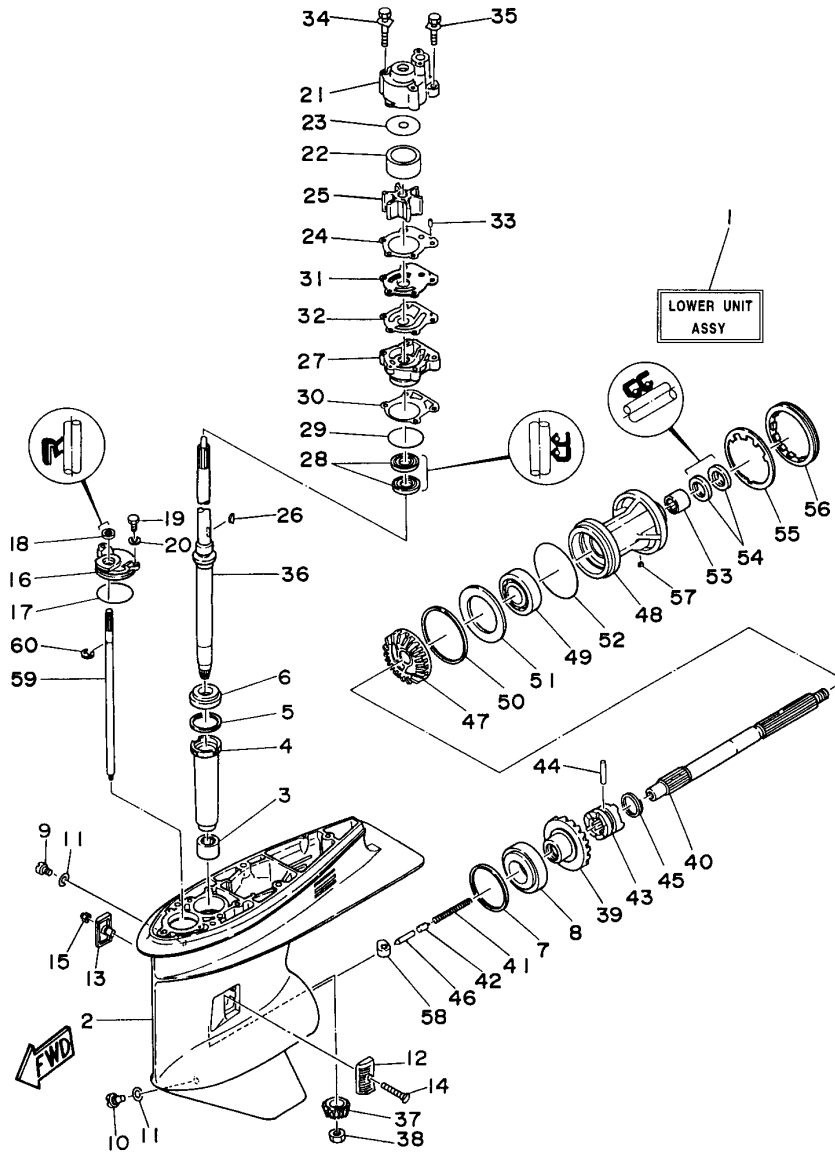
©2014 Yamaha Motor Corporation, U.S.A. All rights reserved.

Part List

E75MLHW 1998 / UPPER CASING

REF - NO	PART NUMBER	PART NAME	QUANTITY	REMARKS
1	688-45111-04-4D	CASING, UPPER	1	
2	663-45155-10-00	CAP	1	
3	93606-12019-00	.PIN, DOWEL	2	
4	90119-08M80-00	BOLT, WITH WASHER	8	
5	688-41137-03-94	GUIDE, EXHAUST	1	
6	688-45114-A1-00	GASKET, UPPER CASING	1	
7	688-41134-A0-00	GASKET, EXHAUST MANIFOLD	1	
8	688-41131-00-5B	MANIFOLD, EXT. 1	1	
9	688-41133-00-00	GASKET, EXHAUST MANIFOLD 1	1	
10	688-14711-01-5B	MUFFLER 1	1	
11	688-45123-00-00	GASKET, MUFFLER	1	
12	663-14737-10-00	DAMPER, MUFFLER	1	
13	97075-08030-00	BOLT	7	
14	92995-08100-00	WASHER	7	
15	97075-08025-00	BOLT	1	
16	92995-08100-00	WASHER	1	
17	90119-08M79-00	BOLT, WITH WASHER	2	
18	97075-08035-00	BOLT	2	
19	92995-08100-00	WASHER	2	
20	688-45113-A0-00	GASKET, UPPER CASING	1	
21	93606-12019-00	.PIN, DOWEL	2	

E75MLHW 1998 / LOWER CASING DRIVE 1



©2014 Yamaha Motor Corporation, U.S.A. All rights reserved.

Part List






E75MLHW 1998 / LOWER CASING DRIVE 1

REF - NO	PART NUMBER	PART NAME	QUANTITY	REMARKS
1	692-45300-15-4D	LOWER UNIT ASSEMBLY	1	REF. 2~60
2	688-45311-06-4D	CASING, LOWER	1	
3	93315-325V1-00	BEARING	1	
4	688-45536-01-00	SLEEVE, DRIVE SHAFT	1	
5	688-45587-01-15	SHIM (T:0.15MM)	1	UR
5	688-45587-01-10	SHIM (T:0.10MM)	1	UR
5	688-45587-01-50	SHIM (T:0.50MM)	1	UR
5	688-45587-01-30	SHIM (T:0.30MM)	1	UR
5	688-45587-01-12	SHIM (T:0.12MM)	1	UR
5	688-45587-01-18	SHIM (T:0.18MM)	1	UR
5	688-45587-01-40	SHIM (T:0.40MM)	1	UR
6	93332-000U3-00	BEARING	1	
7	688-45567-01-30	SHIM (T:0.30MM)	1	UR
7	688-45567-01-50	SHIM (T:0.50MM)	1	UR
7	688-45567-01-12	SHIM (T:0.12MM)	1	UR
7	688-45567-01-10	SHIM (T:0.10MM)	1	UR
7	688-45567-01-15	SHIM (T:0.15MM)	1	UR
7	688-45567-01-18	SHIM (T:0.18MM)	1	UR
7	688-45567-01-40	SHIM (T:0.40MM)	1	UR
8	93332-000W7-00	BEARING	1	
9	90340-08M04-00	PLUG, STRAIGHT SCREW	1	
10	688-45341-00-00	PLUG, DRAIN	1	
11	90430-08020-00	.GASKET	2	
12	6H1-45214-00-00	COVER, WATER INLET 1	1	
13	6H1-45215-00-00	COVER, WATER INLET 2	1	
14	90151-05M00-00	SCREW, COUNTERSUNK	1	
15	90185-05002-00	NUT, NYLON	1	
16	688-45321-00-00	PLATE	1	
17	93210-49046-00	.O-RING	1	
18	93106-09014-00	.OIL SEAL	1	
19	97095-06016-00	BOLT	2	
20	92995-06600-00	WASHER	2	
21	688-44311-01-00	HOUSING, WATER PUMP	1	
22	688-44322-41-00	INSERT, CARTRIDGE	1	
23	688-44321-41-00	INSERT, CARTRIDGE	1	
24	688-44315-A0-00	.GASKET, WATER PUMP	1	
25	688-44352-03-00	IMPELLER	1	
26	90280-04M04-00	.KEY, WOODRUFF	1	
27	688-44341-00-94	HOUSING, WATER PUMP	1	
28	93101-25M03-00	.OIL SEAL	2	
29	93210-46044-00	O-RING	1	
30	688-44316-A0-00	.GASKET, WATER PUMP	1	
31	688-44323-40-00	OUTER PLATE, CARTRIDGE	1	
32	688-44324-A0-00	.GASKET, CARTRIDGE	1	
33	93604-10M03-00	PIN, DOWEL	2	
34	90119-08M16-00	.BOLT, WITH WASHER	2	
35	90119-08M13-00	.BOLT, WITH WASHER	2	
36	688-45501-11-00	DRIVE SHAFT COMP.	1	
37	688-45551-01-00	PINION (13T)	1	
38	90170-16M01-00	NUT	1	
39	688-45560-00-00	GEAR 1 (26T)	1	
40	688-45611-01-00	SHAFT, PROPELLER	1	
41	90501-16233-00	SPRING, COMPRESSION	1	

42	688-45634-00-00	SLIDE, SHIFT	1	
43	688-45631-01-00	CLUTCH, DOG	1	
44	90250-07M02-00	PIN, STRAIGHT	1	
45	688-45633-00-00	RING, CROSS PIN	1	
46	688-45635-00-00	PLUNGER, SHIFT	1	
47	688-45571-01-00	GEAR	1	
48	688-45331-00-94	HOUSING, BEARING	1	
49	93306-207U0-00	.BEARING	1	
50	688-45577-01-30	SHIM (T:0.30MM)	1	UR
50	688-45577-01-12	SHIM (T:0.12MM)	1	UR
50	688-45577-01-50	SHIM (T:0.50MM)	1	UR
50	688-45577-01-40	SHIM (T:0.40MM)	1	UR
50	688-45577-01-18	SHIM (T:0.18MM)	1	UR
50	688-45577-01-15	SHIM (T:0.15MM)	1	UR
50	688-45577-01-10	SHIM (T:0.10MM)	1	UR
51	688-45576-00-00	WASHER, THRUST	1	
52	93210-85M97-00	O-RING	1	
53	93317-325U0-00	BEARING	1	
54	93101-25M03-00	.OIL SEAL	2	
55	688-45383-02-00	WASHER, CLAW	1	
56	688-45384-00-00	NUT	1	
57	90282-04010-00	KEY, STRAIGHT	1	
58	663-44151-00-00	CAM, SHIFT	1	
59	663-44144-01-00	ROD, SHIFT	1	
60	93430-08006-00	CIRCLIP	1	

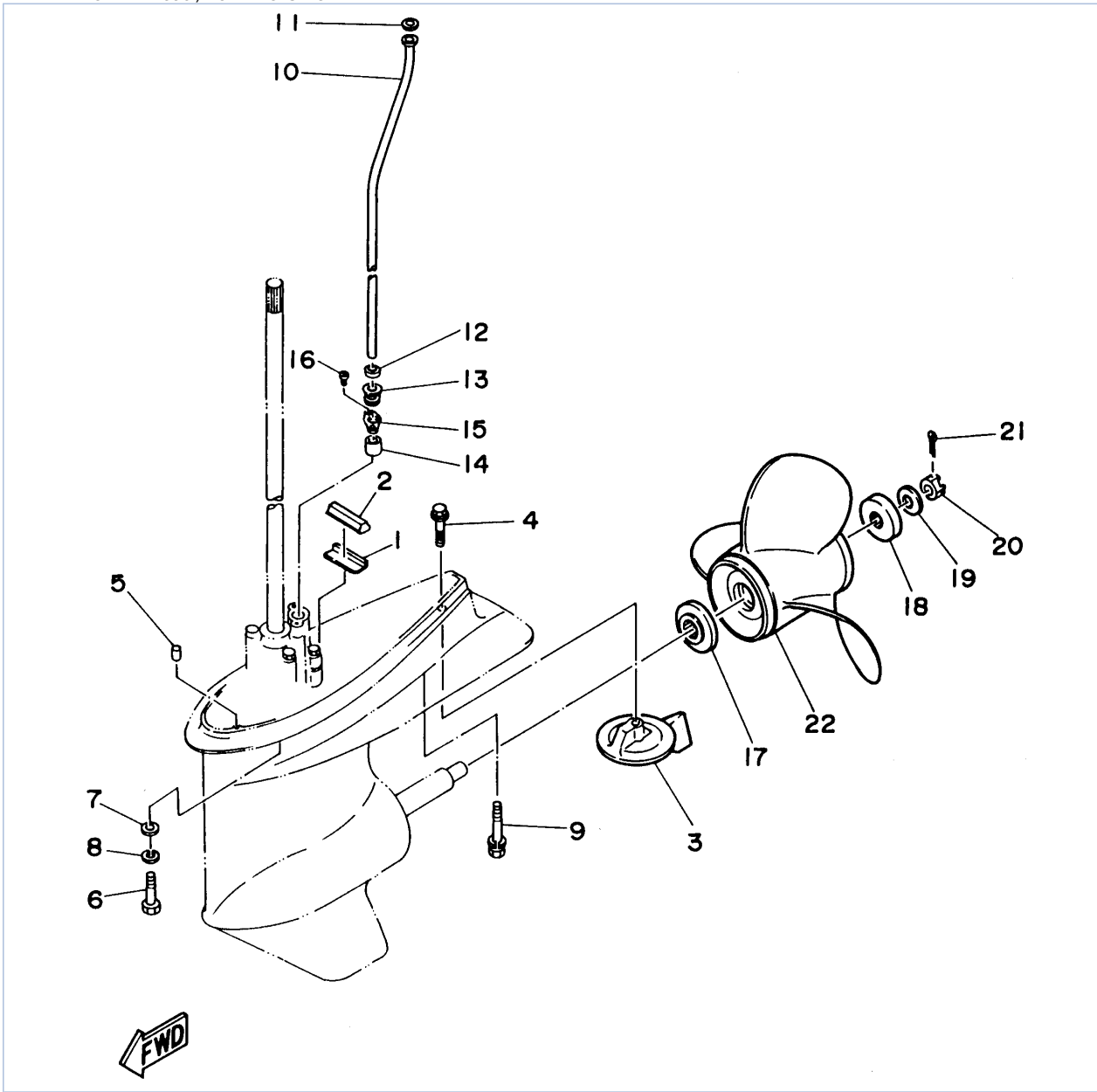
Part Notes

E75MLHW 1998 / LOWER CASING DRIVE 1

PART NUMBER		NOTE TEXT
90430-08020-00		OEM: This part number is among the Top 100 Most Popular Marine Maintenance Parts as of March 2014.
93106-09014-00		OEM: This part number is among the Top 100 Most Popular Marine Maintenance Parts as of March 2014.
688-44352-03-00		OEM: This part number is among the Top 100 Most Popular Marine Maintenance Parts as of March 2014.
93101-25M03-00		OEM: This part number is among the Top 100 Most Popular Marine Maintenance Parts as of March 2014.
93101-25M03-00		OEM: This part number is among the Top 100 Most Popular Marine Maintenance Parts as of March 2014.

©2014 Yamaha Motor Corporation, U.S.A. All rights reserved.

E75MLHW 1998 / LOWER CASING DRIVE 2



©2014 Yamaha Motor Corporation, U.S.A. All rights reserved.



Part List

E75MLHW 1998 / LOWER CASING DRIVE 2

REF - NO	PART NUMBER	PART NAME	QUANTITY	REMARKS
1	663-45376-00-94	GUIDE, SEAL DAMPER	1	
2	688-45375-00-00	DAMPER, SEAL	1	
3	688-45371-02-00	TAB-TRIM	1	
4	90105-10M67-00	BOLT, FLANGE	1	
5	93606-12019-00	.PIN, DOWEL	2	
6	97075-10040-00	BOLT	4	
7	92990-10600-00	WASHER, PLATE	4	
8	92990-10100-00	WASHER, SPRING	4	
9	90119-08M84-00	BOLT, WITH WASHER	1	
10	688-44361-10-00	TUBE, WATER	1	
11	90202-12060-00	WASHER, PLATE	1	
12	90430-12072-00	GASKET	1	
13	663-44367-00-00	DAMPER, WATER SEAL 3	1	
14	663-44366-00-00	.DAMPER, WATER SEAL 2	1	
15	90480-19M06-00	GROMMET	1	
16	97780-40512-00	SCREW, TAPPING	2	
17	688-45987-01-00	SPACER 1	1	
18	688-45997-01-00	SPACER 2	1	
19	90201-17M00-00	WASHER, PLATE	1	
20	90171-16011-00	NUT, CASTLE	1	
21	91490-40025-00	PIN. COTTER	1	
22	688-45974-02-98	PROPELLER (3X13"X23"-K)	1	UR
22	688-45978-60-98	PROPELLER (3X13-1/2"X16"-K)	1	UR
22	688-45930-01-98	PROPELLER (3X13"X17"-K)	1	UR
22	688-45932-60-98	PROPELLER (3X13-1/2"X14"-K)	1	UR
22	6E5-45952-00-EL	PROPELLER (3X13"X23"-K)	1	UR
22	6E5-45954-00-EL	PROPELLER (3X14"X11"-K)	1	UR
22	688-45976-01-98	PROPELLER (3X13"X25"-K)	1	UR
22	6E5-45943-00-EL	PROPELLER (3X12-5/8"X21"-K)	1	UR
22	6E5-45941-00-EL	PROPELLER (3X13"X19"-K)	1	UR
22	688-45972-02-98	PROPELLER (3X13"X21"-K)	1	UR
22	688-45970-03-98	PROPELLER (3 X 13-1/2" X 19" -K) ()	1	UR
22	6E5-45945-01-EL	PROPELLER (3X13-1/4"X17"-K)	1	UR
22	6E5-45947-00-EL	PROPELLER (3X13-1/2"X15"-K)	1	UR
22	6E5-45949-00-EL	PROPELLER (3X13-5/8"X13"-K)	1	UR

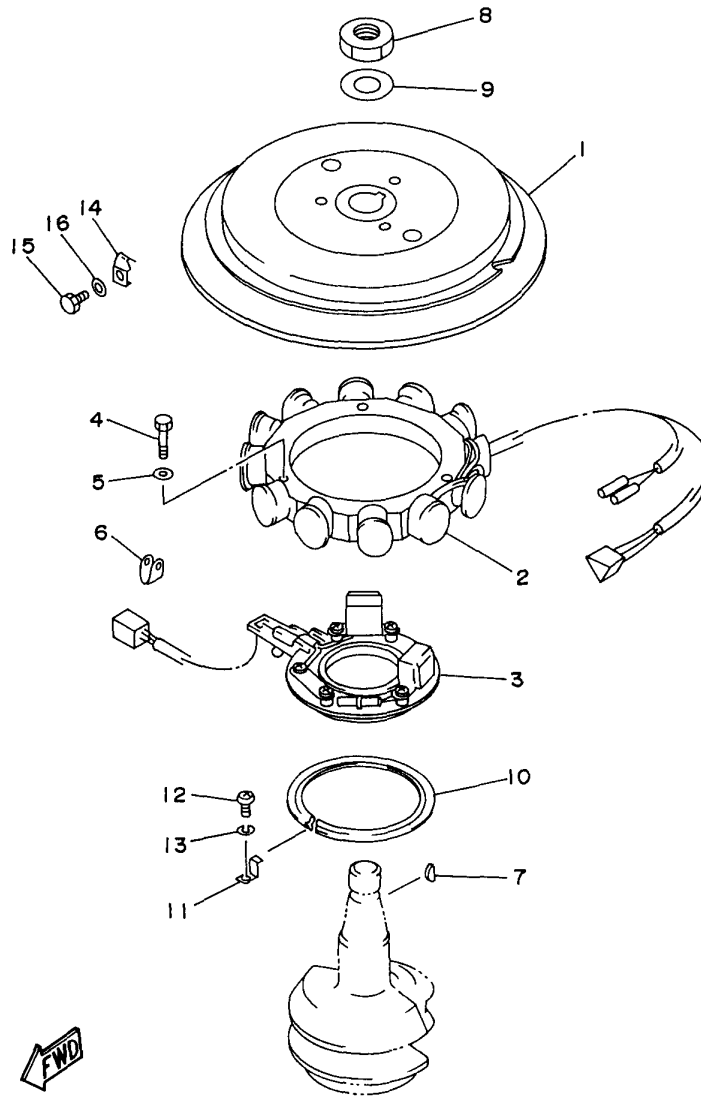
Part Notes

E75MLHW 1998 / LOWER CASING DRIVE 2

PART NUMBER	NOTE TEXT
92990-10600-00 	OEM: This part number is among the Top 100 Most Popular Marine Maintenance Parts as of March 2014.
688-45997-01-00 	OEM: This part number is among the Top 100 Most Popular Marine Maintenance Parts as of March 2014.

©2014 Yamaha Motor Corporation, U.S.A. All rights reserved.

E75MLHW 1998 / GENERATOR



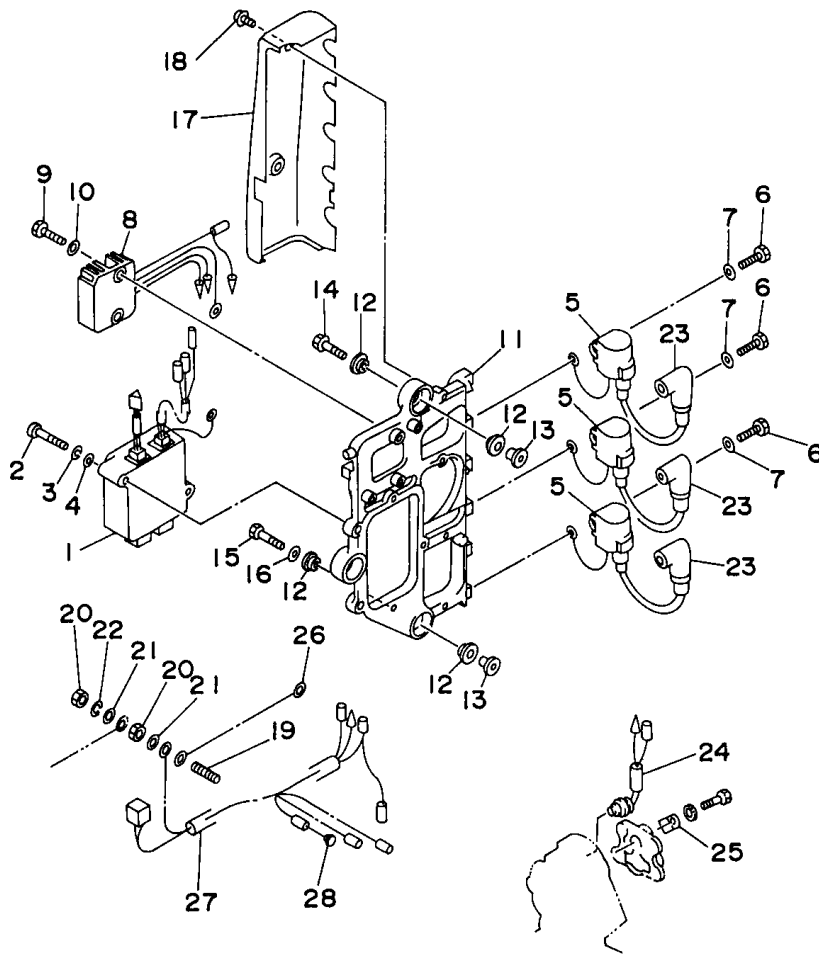
©2014 Yamaha Motor Corporation, U.S.A. All rights reserved.

Part List

E75MLHW 1998 / GENERATOR

REF - NO	PART NUMBER	PART NAME	QUANTITY	REMARKS
1	692-85550-00-00	ROTOR ASSEMBLY	1	
2	688-85510-00-00	STATOR ASSEMBLY	1	
3	688-85580-00-00	COIL, PULSER	1	
4	97013-06030-00	BOLT	3	
5	92903-06600-00	WASHER, PLATE	3	
6	90464-12M00-00	CLAMP	1	
7	90280-05015-00	KEY, WOODRUFF	1	
8	90170-20137-00	NUT	1	
9	90201-21M18-00	WASHER, PLATE	1	
10	688-41611-00-00	RETAINER, MAGNETO BASE	1	
11	688-41612-00-00	RETAINER, MAGNETO BASE	3	
12	97803-06012-00	SCREW, PAN HEAD	3	
13	92903-06100-00	WASHER, SPRING	3	
14	688-81332-01-00	PLATE, TIMING	1	
15	97095-06010-00	BOLT	1	
16	92995-06600-00	WASHER	1	

E75MLHW 1998 / ELECTRICAL 1



©2014 Yamaha Motor Corporation, U.S.A. All rights reserved.




Part List

E75MLHW 1998 / ELECTRICAL 1

REF - NO	PART NUMBER	PART NAME	QUANTITY	REMARKS
1	688-85540-00-00	C.D.I. UNIT ASSEMBLY	1	
2	97880-06040-00	SCREW, PAN HEAD	2	
3	92990-06100-00	..WASHER, SPRING	2	
4	92990-06600-00	WASHER, PLATE	2	
5	697-85570-00-00	IGNITION COIL ASSY	3	
6	97095-06020-00	BOLT	3	
7	92990-06600-00	WASHER, PLATE	3	
8	6H0-81960-00-00	RECTIFIER & REGULATOR ASSEMBLY	1	
9	97095-06020-00	BOLT	2	
10	92990-06600-00	WASHER, PLATE	2	
11	6H1-85542-00-94	BRACKET	1	
12	90480-09M25-00	GROMMET	6	
13	90387-06M03-00	COLLAR	3	
14	90119-06M75-00	BOLT, WITH WASHER	2	
15	90119-06M39-00	BOLT	1	
16	90201-06M31-00	.WASHER, PLATE	1	
17	6H1-81916-00-00	COVER, TERMINAL	1	
18	90159-06M11-00	SCREW, WITH WASHER	2	
19	90116-06M22-00	BOLT, STUD	1	
20	95380-06700-00	NUT	2	
21	92990-06200-00	WASHER, PLAIN	2	
22	92990-06100-00	..WASHER, SPRING	1	
23	663-82370-01-00	PLUG CAP ASSY	3	
24	688-82560-10-00	THERMO SWITCH ASSY	1	
25	688-82588-01-00	PLATE	1	
26	61A-82519-00-00	WIRE, EARTH LEAD	1	
27	692-82590-00-00	WIRE HARNESS ASSEMBLY	1	
28	703-82119-00-00	COVER, LEAD WIRE	1	

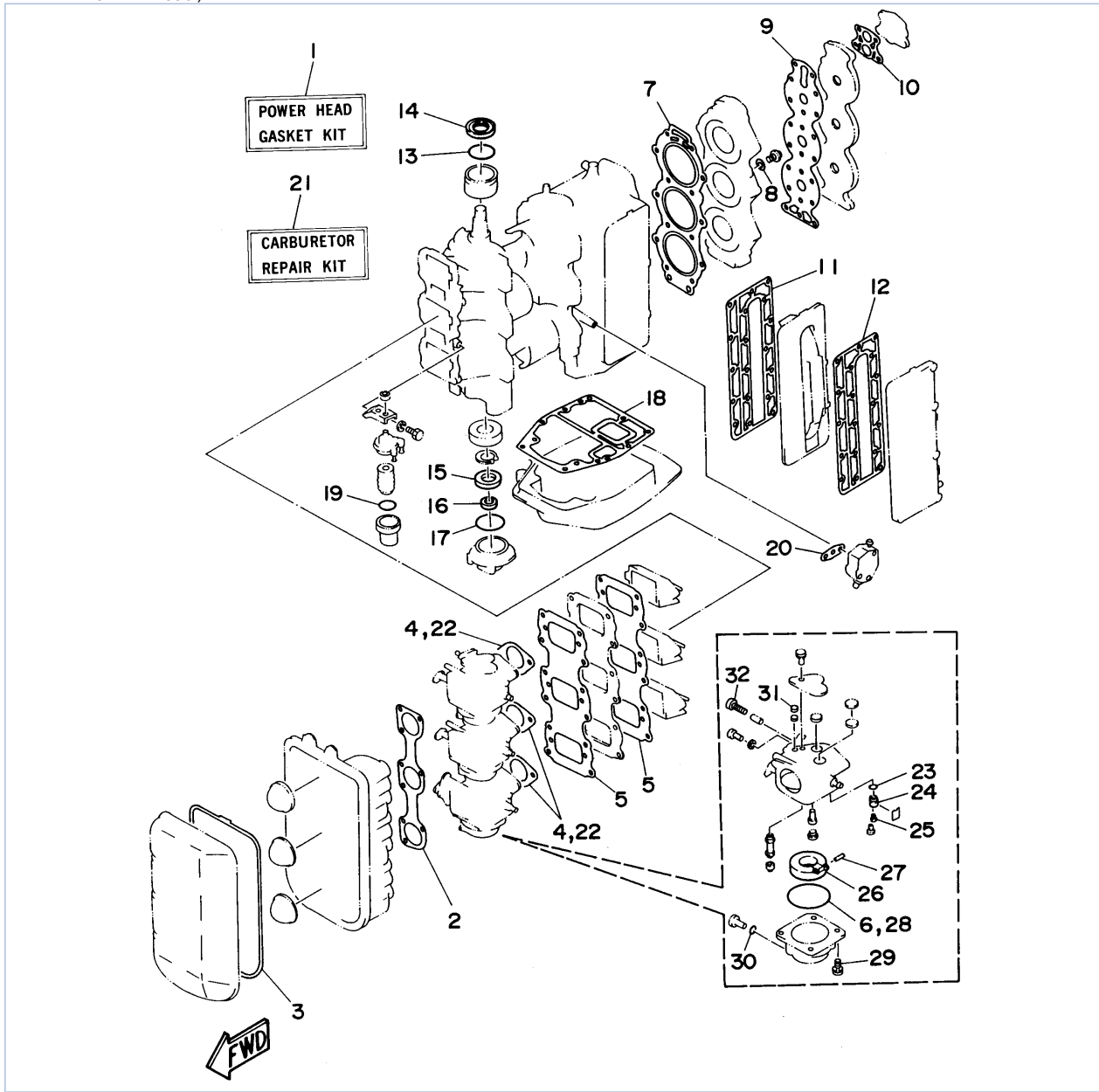
Part Notes

E75MLHW 1998 / ELECTRICAL 1

PART NUMBER	NOTE TEXT
92990-06600-00 	OEM: This part number is among the Top 100 Most Popular Marine Maintenance Parts as of March 2014.
92990-06600-00 	OEM: This part number is among the Top 100 Most Popular Marine Maintenance Parts as of March 2014.
92990-06600-00 	OEM: This part number is among the Top 100 Most Popular Marine Maintenance Parts as of March 2014.

©2014 Yamaha Motor Corporation, U.S.A. All rights reserved.

E75MLHW 1998 / REPAIR KIT 1



©2014 Yamaha Motor Corporation, U.S.A. All rights reserved.



Part List

E75MLHW 1998 / REPAIR KIT 1

REF - NO	PART NUMBER	PART NAME	QUANTITY	REMARKS
1	688-W0001-02-00	POWER HEAD GASKET KIT	1	
2	688-14483-A0-00	.GASKET	1	
3	688-14416-01-00	.GASKET, AIR CLEANER	1	
4	688-14198-A1-00	.GASKET	3	
5	688-13621-A1-00	.GASKET, VALVE SEAT	2	
6	676-14984-00-00	.GASKET, FLOAT CHAMBER	3	
7	688-11181-A1-00	.GASKET, CYLINDER HEAD 1	1	
8	90430-14115-00	.GASKET	1	
9	688-11193-A1-00	.GASKET, HEAD COVER 1	1	
10	688-12414-A1-00	.GASKET, COVER	1	
11	688-41112-A0-00	.GASKET, EXHAUST INNER COVER	1	
12	688-41114-A0-00	.GASKET, EXHAUST OUTER COVER	1	
13	93210-46M16-00	.O-RING	1	
14	93102-36M02-00	.OIL SEAL	1	
15	93102-30M05-00	.OIL SEAL	1	
16	93104-20M02-00	.OIL SEAL	1	
17	93210-62269-00	.O-RING	1	
18	688-45113-A0-00	.GASKET, UPPER CASING	1	
19	93210-32738-00	.O-RING	1	
20	650-24431-A0-00	.GASKET, FUEL PUMP 1	1	
21	6H1-W0093-01-00	CARBURETOR REPAIR KIT	1	
22	688-14198-A1-00	.GASKET	3	
23	93210-04228-00	.O-RING	3	
24	692-14590-00-00	.VALVE SEAT	3	
25	676-14186-00-00	.PIN, FLOAT	3	
26	676-14985-01-00	.FLOAT	3	
27	688-14548-00-00	.PIN, FLOAT ARM	3	
28	676-14984-00-00	.GASKET, FLOAT CHAMBER	3	
29	97980-04114-00	.SCREW, WITH WASHER	3	
30	93210-04230-00	.O-RING	3	
31	663-14126-00-00	.GASKET	3	
32	692-14923-00-00	.SCREW, PILOT	3	

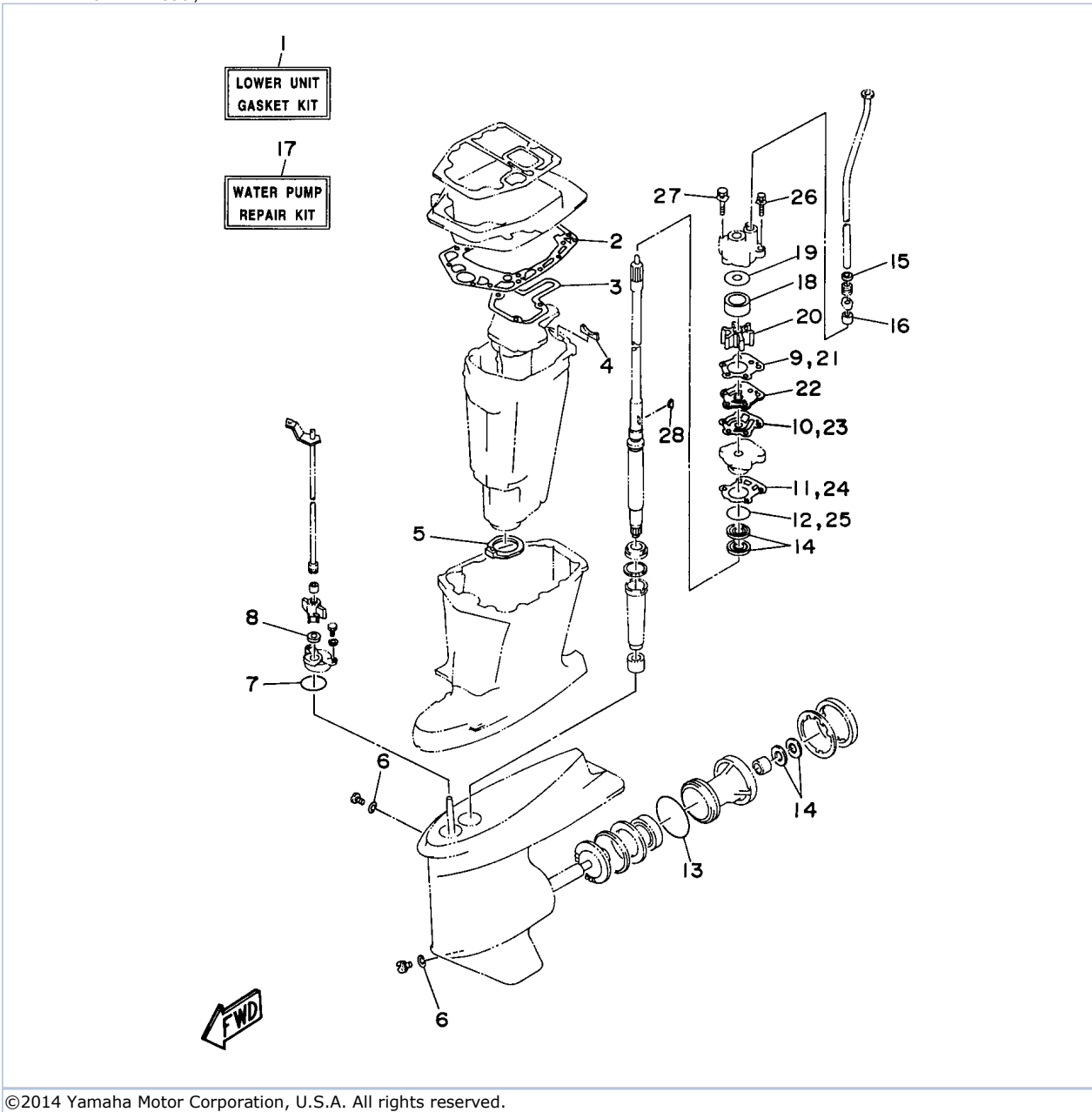
Part Notes

E75MLHW 1998 / REPAIR KIT 1

PART NUMBER	NOTE TEXT
688-12414-A1-00 	OEM: This part number is among the Top 100 Most Popular Marine Maintenance Parts as of March 2014.
650-24431-A0-00 	OEM: This part number is among the Top 100 Most Popular Marine Maintenance Parts as of March 2014.

©2014 Yamaha Motor Corporation, U.S.A. All rights reserved.

E75MLHW 1998 / REPAIR KIT 2



©2014 Yamaha Motor Corporation, U.S.A. All rights reserved.





Part List

E75MLHW 1998 / REPAIR KIT 2

REF - NO	PART NUMBER	PART NAME	QUANTITY	REMARKS
1	688-W0001-21-00	LOWER UNIT GASKET KIT	1	
2	688-45114-A1-00	.GASKET, UPPER CASING	1	
3	688-41134-A0-00	.GASKET, EXHAUST MANIFOLD	1	
4	688-41133-00-00	.GASKET, EXHAUST MANIFOLD 1	1	
5	688-45123-00-00	.GASKET, MUFFLER	1	
6	90430-08020-00	.GASKET	2	
7	93210-49046-00	.O-RING	1	
8	93106-09014-00	.OIL SEAL	1	
9	688-44315-A0-00	.GASKET, WATER PUMP	1	
10	688-44324-A0-00	.GASKET, CARTRIDGE	1	
11	688-44316-A0-00	.GASKET, WATER PUMP	1	
12	93210-46044-00	.O-RING	1	
13	93210-85M97-00	.O-RING	1	
14	93101-25M03-00	.OIL SEAL	2	
15	90430-12072-00	.GASKET	1	
16	663-44366-00-00	.DAMPER, WATER SEAL 2	1	
17	692-W0078-0A-00	WATER PUMP REPAIR KIT	1	
18	688-44322-40-00	.INSERT, CARTRIDGE	1	
19	688-44321-41-00	.INSERT, CARTRIDGE	1	
20	688-44352-03-00	.IMPELLER	1	
21	688-44315-A0-00	.GASKET, WATER PUMP	1	
22	688-44323-40-00	.OUTER PLATE, CARTRIDGE	1	
23	688-44324-A0-00	.GASKET, CARTRIDGE	1	
24	688-44316-A0-00	.GASKET, WATER PUMP	1	
25	93210-46044-00	.O-RING	1	
26	90119-08M13-00	.BOLT, WITH WASHER	2	
27	90119-08M16-00	.BOLT, WITH WASHER	2	
28	90280-04M04-00	.KEY, WOODRUFF	1	

Part Notes

E75MLHW 1998 / REPAIR KIT 2

PART NUMBER		NOTE TEXT
90430-08020-00		OEM: This part number is among the Top 100 Most Popular Marine Maintenance Parts as of March 2014.
93106-09014-00		OEM: This part number is among the Top 100 Most Popular Marine Maintenance Parts as of March 2014.
93101-25M03-00		OEM: This part number is among the Top 100 Most Popular Marine Maintenance Parts as of March 2014.
688-44352-03-00		OEM: This part number is among the Top 100 Most Popular Marine Maintenance Parts as of March 2014.

©2014 Yamaha Motor Corporation, U.S.A. All rights reserved.

©2014 Yamaha Motor Corporation, U.S.A. All rights reserved.