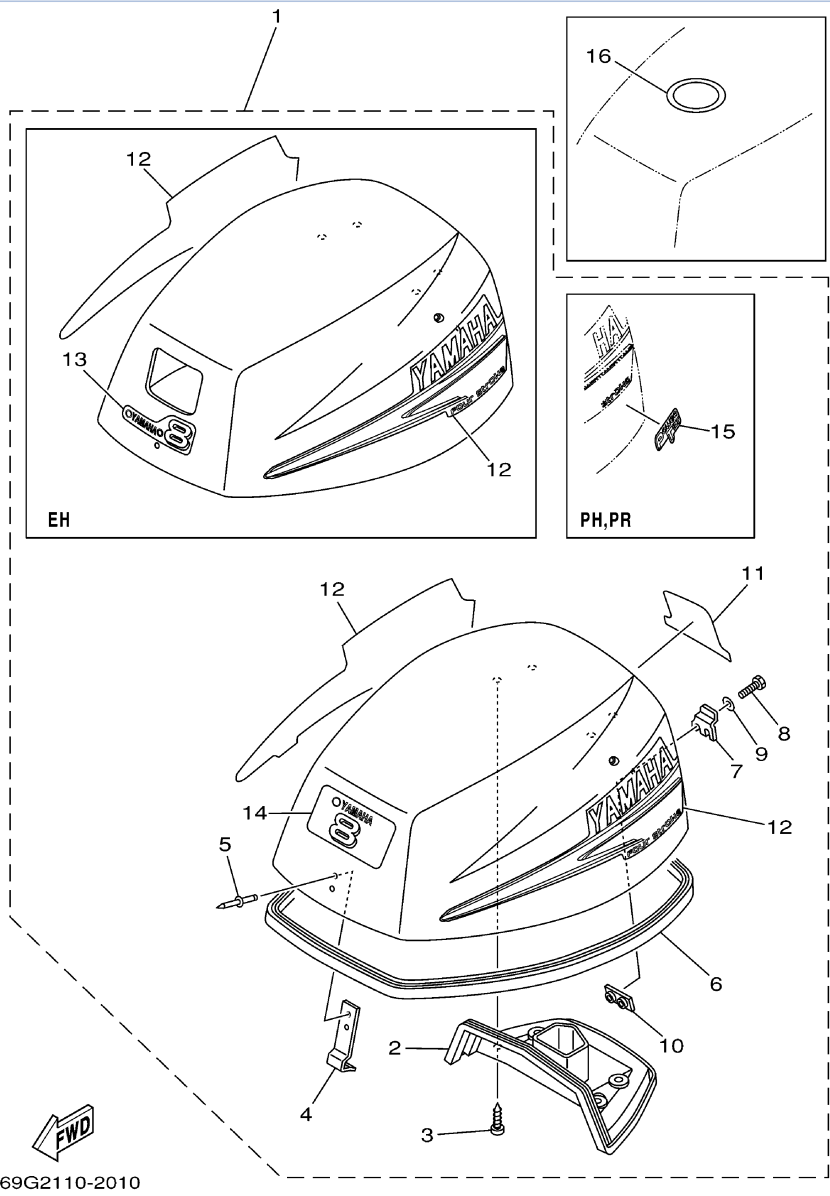


T8PXHA 2002 / TOP COWLING



69G2110-2010

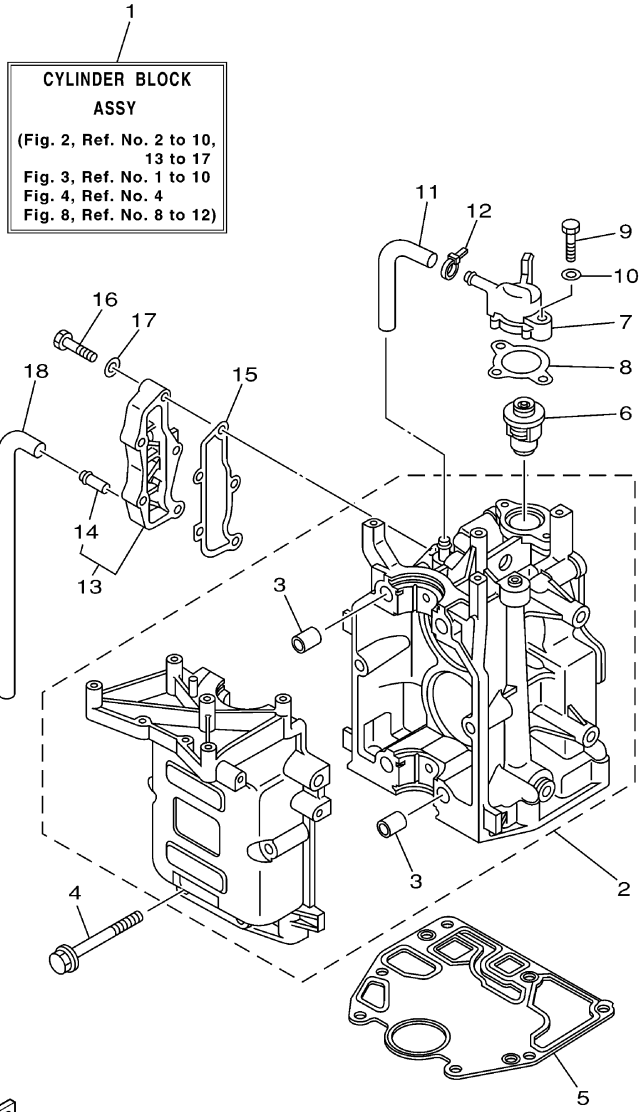
©2014 Yamaha Motor Corporation, U.S.A. All rights reserved.

## Part List

T8PXHA 2002 / TOP COWLING

| REF<br>-<br>NO | PART<br>NUMBER  | PART NAME           | QUANTITY | REMARKS      |
|----------------|-----------------|---------------------|----------|--------------|
| 1              | 69G-42610-20-4D | TOP COWLING ASSY    | 1        | UR EH(EH)    |
| 1              | 69G-42610-B0-4D | TOP COWLING ASSY    | 1        | UR PR (PH/R) |
| 1              | 69G-42610-A0-4D | TOP COWLING ASSY    | 1        | UR PH (PH/R) |
| 2              | 68T-42613-00-00 | .MOLDING, AIR DUCT  | 1        |              |
| 3              | 97780-60516-00  | .SCREW, TAPPING     | 4        |              |
| 4              | 6G1-42651-02-00 | .HOOK               | 1        |              |
| 5              | 90266-04M04-00  | .RIVET              | 2        |              |
| 6              | 68T-42615-00-00 | .SEAL               | 1        |              |
| 7              | 68T-42652-00-00 | .HOOK               | 1        |              |
| 8              | 97095-05016-00  | .BOLT               | 2        |              |
| 9              | 92995-05600-00  | .WASHER             | 2        |              |
| 10             | 68T-42649-00-00 | .HOLDER, CLAMP BAND | 1        |              |
| 11             | 69G-42678-20-00 | .GRAPHIC, REAR      | 1        |              |
| 12             | 68T-W0070-60-00 | .GRAPHIC SET        | 1        | UR PR (PH/R) |
| 12             | 68T-W0070-20-00 | .GRAPHIC SET        | 1        | UR EH/PH     |
| 13             | 68T-42677-00-00 | .GRAPHIC, FRONT     | 1        | EH(EH)       |
| 14             | 69G-42686-10-00 | .EMBLEM, FRONT      | 1        | PH/PR (PH/R) |
| 15             | 69A-42675-00-00 | .GRAPHIC, SIDE 1    | 1        | PH/PR (PH/R) |
| 16             | 67F-13434-02-00 | LABEL, CAUTION      | 1        |              |

T8PXHA 2002 / CYLINDER CRANKCASE 1



68R0100-0020

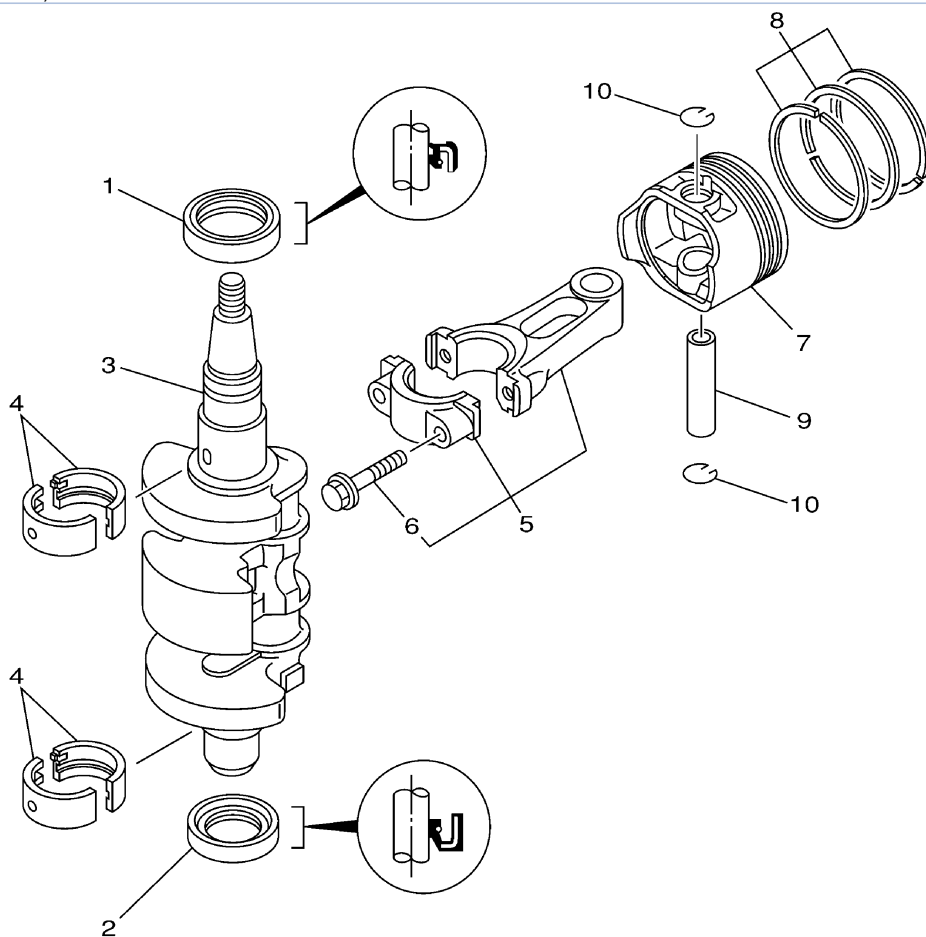
©2014 Yamaha Motor Corporation, U.S.A. All rights reserved.

## Part List

T8PXHA 2002 / CYLINDER CRANKCASE 1

| REF<br>-<br>NO | PART<br>NUMBER  | PART NAME                       | QUANTITY | REMARKS |
|----------------|-----------------|---------------------------------|----------|---------|
| 1              | 68T-W009B-00-1S | CYLINDER BLOCK ASSY             | 1        |         |
| 2              | 68T-15100-00-1S | CRANKCASE ASSY                  | 1        |         |
| 3              | 99530-12016-00  | .PIN, DOWEL                     | 4        |         |
| 4              | 90119-08M29-00  | BOLT, WITH WASHER               | 6        |         |
| 5              | 68T-11351-00-00 | .GASKET, CYLINDER               | 1        |         |
| 6              | 66M-12411-00-00 | THERMOSTAT                      | 1        |         |
| 7              | 68T-12413-00-1S | COVER, THERMOSTAT               | 1        |         |
| 8              | 6G8-12414-A0-00 | .GASKET, COVER                  | 1        |         |
| 9              | 97013-06020-00  | BOLT                            | 2        |         |
| 10             | 92903-06600-00  | WASHER, PLATE                   | 2        |         |
| 11             | 68T-12481-00-00 | PIPE 1                          | 1        |         |
| 12             | 90465-11M10-00  | CLAMP                           | 1        |         |
| 13             | 68T-41113-00-1S | OUTER COVER, EXHAUST            | 1        |         |
| 14             | 6E9-24378-00-00 | .PIPE, JOINT 3                  | 1        |         |
| 15             | 68T-41114-A0-00 | .GASKET, EXHAUST OUTER<br>COVER | 1        |         |
| 16             | 97013-06025-00  | BOLT                            | 5        |         |
| 17             | 92903-06600-00  | WASHER, PLATE                   | 5        |         |
| 18             | 68T-12482-00-00 | PIPE 2                          | 1        |         |

T8PXHA 2002 / CRANKSHAFT PISTON



68R0010-0030

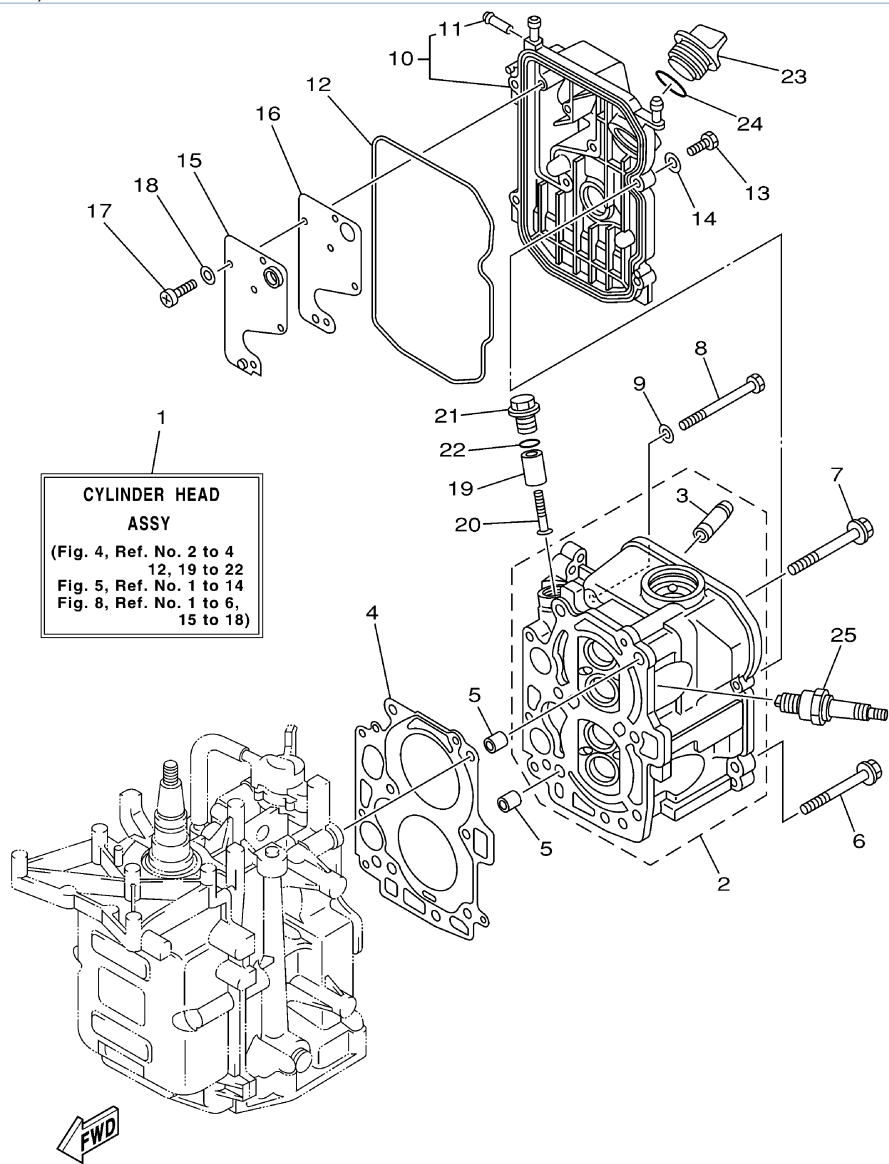
©2014 Yamaha Motor Corporation, U.S.A. All rights reserved.

## Part List

T8PXHA 2002 / CRANKSHAFT PISTON

| REF<br>-<br>NO | PART<br>NUMBER  | PART NAME                       | QUANTITY | REMARKS  |
|----------------|-----------------|---------------------------------|----------|----------|
| 1              | 93102-30M22-00  | .OIL SEAL                       | 1        |          |
| 2              | 93101-25M69-00  | .OIL SEAL                       | 1        |          |
| 3              | 68T-11411-00-00 | CRANKSHAFT                      | 1        |          |
| 4              | 68T-11416-00-00 | PLANE BEARING,<br>CRANKSHAFT 1  | 4        | UR BROWN |
| 4              | 68T-11416-20-00 | PLANE BEARING,<br>CRANKSHAFT 1  | 4        | UR BLUE  |
| 4              | 68T-11416-10-00 | PLANE BEARING,<br>CRANKSHAFT 1  | 4        | UR BLACK |
| 5              | 68T-11650-00-00 | CONNECTING ROD ASSY             | 2        |          |
| 6              | 67D-11654-00-00 | .BOLT, CONNECTING ROD           | 2        |          |
| 7              | 68T-11631-00-96 | PISTON (STD)                    | 2        |          |
| 7              | 68T-11636-00-00 | PISTON (0.50MM O/S)             | 2        | AP       |
| 7              | 68T-11635-00-00 | PISTON (0.25MM O/S)             | 2        | AP       |
| 8              | 68T-11603-00-00 | PISTON RING SET (STD)           | 2        |          |
| 8              | 68T-11605-00-00 | PISTON RING SET (0.50MM<br>O/S) | 2        | AP       |
| 8              | 68T-11604-00-00 | PISTON RING SET (0.25MM<br>O/S) | 2        | AP       |
| 9              | 68T-11633-00-00 | PIN, PISTON                     | 2        |          |
| 10             | 93450-15023-00  | CIRCLIP                         | 4        |          |

T8PXHA 2002 / CYLINDER CRANKCASE 2



68R0100-0040

©2014 Yamaha Motor Corporation, U.S.A. All rights reserved.

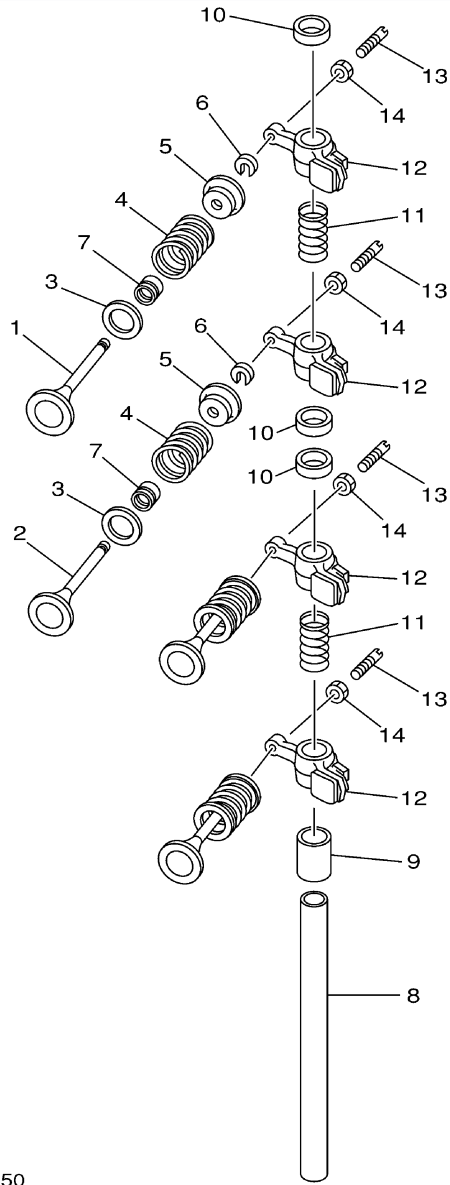
## Part List

T8PXHA 2002 / CYLINDER CRANKCASE 2

| REF<br>-<br>NO | PART<br>NUMBER  | PART NAME                  | QUANTITY | REMARKS |
|----------------|-----------------|----------------------------|----------|---------|
| 1              | 68T-W009A-00-1S | CYLINDER HEAD ASSY         | 1        |         |
| 2              | 68T-11111-00-1S | HEAD, CYLINDER 1           | 1        |         |
| 3              | 67D-11133-10-00 | .GUIDE, VALVE 1            | 4        |         |
| 4              | 68T-11181-00-00 | .GASKET, CYLINDER HEAD 1   | 1        |         |
| 5              | 99510-10114-00  | PIN, DOWEL                 | 2        |         |
| 6              | 90105-08M36-00  | BOLT, FLANGE               | 2        |         |
| 7              | 90105-08M78-00  | BOLT, FLANGE               | 4        |         |
| 8              | 97013-06070-00  | BOLT                       | 3        |         |
| 9              | 92903-06600-00  | WASHER, PLATE              | 3        |         |
| 10             | 68T-11191-00-1S | COVER, CYLINDER HEAD 1     | 1        |         |
| 11             | 650-24378-00-00 | .PIPE, JOINT 4             | 1        |         |
| 12             | 68T-11356-00-00 | .SEAL, CYLINDER 2          | 1        |         |
| 13             | 97095-06020-00  | BOLT                       | 4        |         |
| 14             | 92995-06600-00  | WASHER                     | 4        |         |
| 15             | 68T-11168-00-00 | COVER, BREATHER            | 1        |         |
| 16             | 68T-11169-A0-00 | .GASKET, BREATHER COVER    | 1        |         |
| 17             | 98507-04010-00  | SCREW, PAN HEAD            | 5        |         |
| 18             | 92907-04600-00  | WASHER                     | 5        |         |
| 19             | 68T-11325-00-00 | ANODE                      | 1        |         |
| 20             | 90151-05M05-00  | SCREW, COUNTERSUNK         | 1        |         |
| 21             | 6G8-11197-01-00 | PLUG, BLIND                | 1        |         |
| 22             | 93210-13M63-00  | .O-RING                    | 1        |         |
| 23             | 6G8-15363-00-00 | PLUG, OIL                  | 1        |         |
| 24             | 93210-24M79-00  | .O-RING                    | 1        |         |
| 25             | NGK-BR6ES-10-00 | PLUG, SPARK (NGK BR6HS-10) | 2        |         |



T8PXHA 2002 / VALVE



68R0010-0050

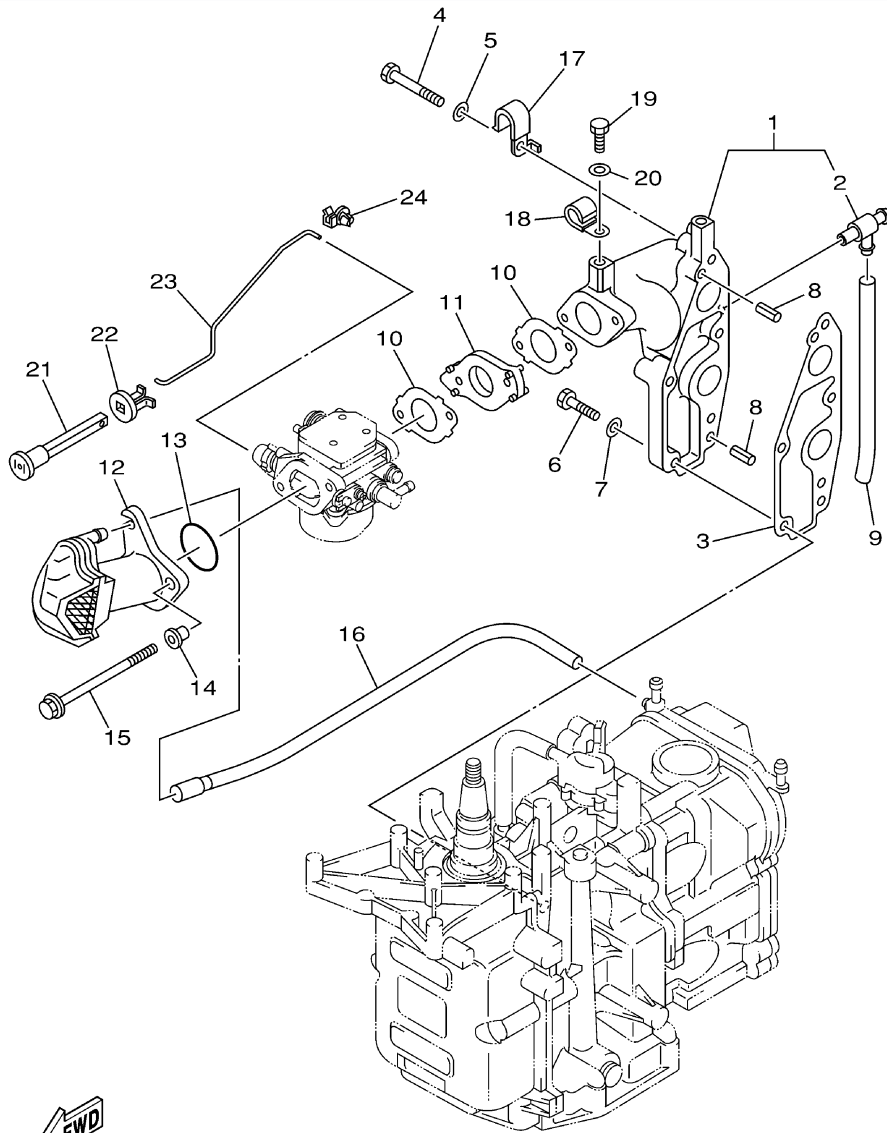
©2014 Yamaha Motor Corporation, U.S.A. All rights reserved.

## Part List

T8PXHA 2002 / VALVE

| REF<br>-<br>NO | PART<br>NUMBER  | PART NAME                      | QUANTITY | REMARKS |
|----------------|-----------------|--------------------------------|----------|---------|
| 1              | 67D-12111-00-00 | VALVE, INTAKE                  | 2        |         |
| 2              | 67D-12121-00-00 | VALVE, EXHAUST                 | 2        |         |
| 3              | 68T-12116-00-00 | SEAT, VALVE SPRING             | 4        |         |
| 4              | 68T-12113-00-00 | SPRING, VALVE INNER            | 4        |         |
| 5              | 7NJ-12117-00-00 | RETAINER, VALVE SPRING         | 4        |         |
| 6              | 7NJ-12118-00-00 | LOCK, VALVE SPRING<br>RETAINER | 4        |         |
| 7              | 51Y-12119-00-00 | SEAL, VALVE STEM               | 4        |         |
| 8              | 68T-12146-00-00 | SHAFT, ROCKER                  | 1        |         |
| 9              | 90387-13M56-00  | COLLAR                         | 1        |         |
| 10             | 90387-14M03-00  | COLLAR                         | 3        |         |
| 11             | 90501-12M40-00  | SPRING, COMPRESSION            | 2        |         |
| 12             | 68T-12151-00-00 | ARM, VALVE ROCKER              | 4        |         |
| 13             | 6G8-12159-00-00 | SCREW, VALVE ADJUSTING         | 4        |         |
| 14             | 6G8-12158-00-00 | NUT, LOCK                      | 4        |         |

T8PXHA 2002 / INTAKE



68R0110-1060

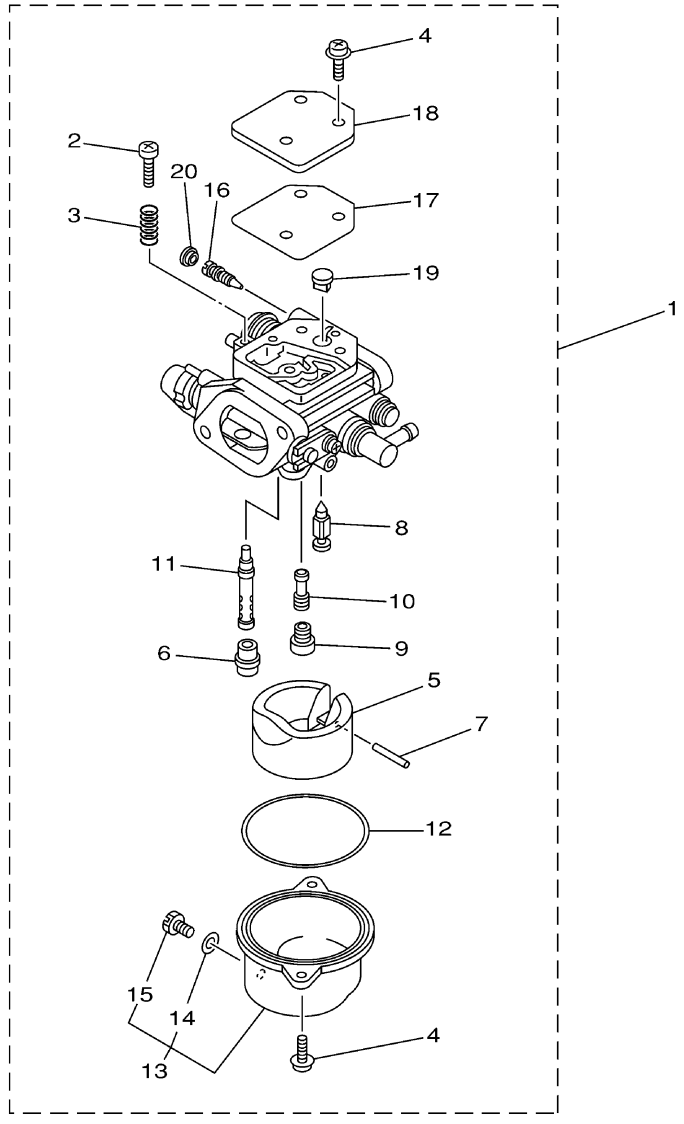
©2014 Yamaha Motor Corporation, U.S.A. All rights reserved.

## Part List

T8PXHA 2002 / INTAKE

| REF<br>-<br>NO | PART<br>NUMBER  | PART NAME             | QUANTITY | REMARKS          |
|----------------|-----------------|-----------------------|----------|------------------|
| 1              | 68T-13641-20-1S | MANIFOLD, INTAKE 1    | 1        | FOR FLUSHING KIT |
| 2              | 67F-12482-00-00 | .PIPE 2               | 1        |                  |
| 3              | 68T-13645-00-00 | .GASKET, MANIFOLD 1   | 1        |                  |
| 4              | 97013-06035-00  | BOLT                  | 3        |                  |
| 5              | 92903-06600-00  | WASHER, PLATE         | 3        |                  |
| 6              | 97013-06025-00  | BOLT                  | 2        |                  |
| 7              | 92903-06600-00  | WASHER, PLATE         | 2        |                  |
| 8              | 91690-50014-00  | PIN, SPRING           | 2        |                  |
| 9              | 90445-09M20-00  | HOSE (L95)            | 1        | FOR FLUSHING KIT |
| 10             | 68T-13646-A0-00 | .GASKET, MANIFOLD 2   | 2        |                  |
| 11             | 68T-14271-00-00 | INSULATOR             | 1        |                  |
| 12             | 68T-14440-00-00 | SILENCER ASSY, INTAKE | 1        |                  |
| 13             | 93210-31MJ5-00  | .O-RING               | 1        |                  |
| 14             | 90387-06M70-00  | COLLAR                | 2        |                  |
| 15             | 97595-06585-00  | BOLT, WITH WASHER     | 2        |                  |
| 16             | 68T-12483-00-00 | PIPE 3                | 1        |                  |
| 17             | 90465-08M99-00  | CLAMP                 | 1        |                  |
| 18             | 90465-08M83-00  | CLAMP                 | 1        |                  |
| 19             | 97095-06010-00  | BOLT                  | 1        | EH/PH            |
| 20             | 92995-06600-00  | WASHER                | 1        | EH/PH            |
| 21             | 6H4-41271-01-00 | KNOB, CHOKE           | 1        |                  |
| 22             | 689-41273-00-00 | GROMMET               | 1        |                  |
| 23             | 68T-41256-00-00 | ROD, CHOKE 1          | 1        |                  |
| 24             | 6J8-41262-00-00 | JOINT, CHOKE LEVER    | 1        |                  |

T8PXHA 2002 / CARBURETOR



68R0100-1070

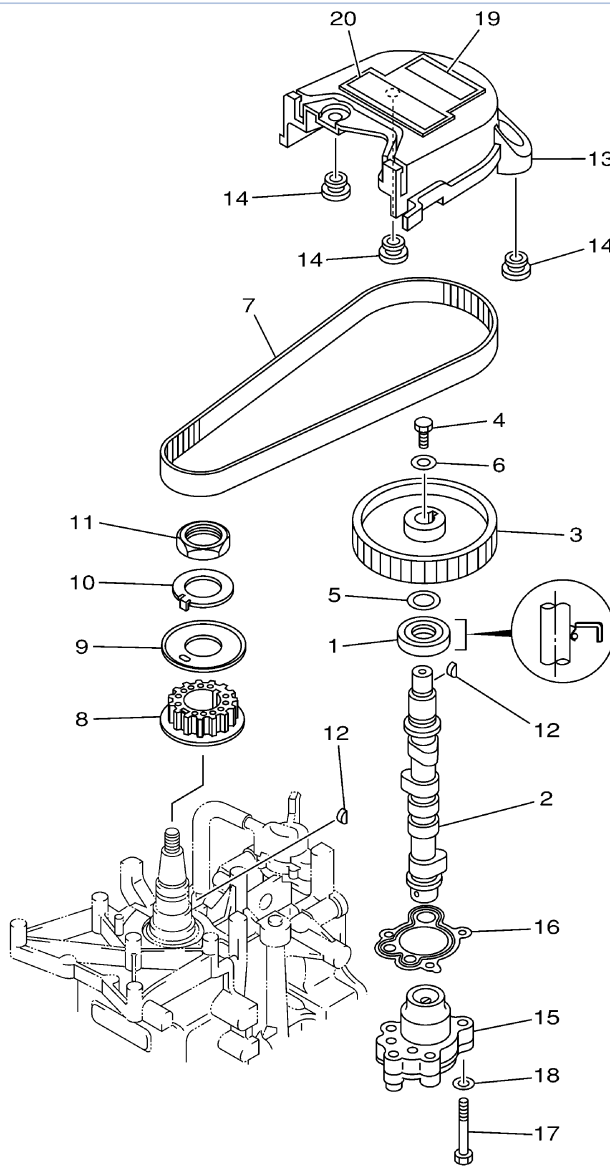
©2014 Yamaha Motor Corporation, U.S.A. All rights reserved.

## Part List

T8PXHA 2002 / CARBURETOR

| REF<br>-<br>NO | PART<br>NUMBER  | PART NAME              | QUANTITY | REMARKS      |
|----------------|-----------------|------------------------|----------|--------------|
| 1              | 68T-14301-40-00 | CARBURETOR ASSY 1      | 1        | UR PR (PH/R) |
| 1              | 68T-14301-10-00 | CARBURETOR ASSY 1      | 1        | UR EH/PH     |
| 2              | 6E5-14321-00-00 | .SCREW, THROTTLE       | 1        |              |
| 3              | 6J8-14334-00-00 | .SPRING, THROTTLE      | 1        |              |
| 4              | 97980-04112-00  | .SCREW, WITH WASHER    | 5        |              |
| 5              | 68T-14385-00-00 | .FLOAT                 | 1        |              |
| 6              | 67D-14966-00-00 | .RUBBER CAP            | 1        |              |
| 7              | 67D-14386-00-00 | .PIN, FLOAT            | 1        |              |
| 8              | 68T-14546-00-00 | .VALVE, NEEDLE         | 1        |              |
| 9              | 68T-1492E-37-00 | .JET, MAIN (#74)       | 1        |              |
| 10             | 68T-1492F-1K-00 | .JET, AIR SLOW (#39)   | 1        |              |
| 11             | 68T-1492A-00-00 | .NOZZLE, MAIN          | 1        |              |
| 12             | 67D-14984-00-00 | .GASKET, FLOAT CHAMBER | 1        |              |
| 13             | 68T-14981-00-00 | .BODY, FLOAT CHAMBER   | 1        |              |
| 14             | 6J8-14959-00-00 | ..GASKET               | 1        |              |
| 15             | 66T-14991-00-00 | ..PLUG, DRAIN          | 1        |              |
| 16             | 67D-14323-00-00 | .SCREW, AIR ADJUSTING  | 1        |              |
| 17             | 67D-14536-00-00 | .GASKET                | 1        |              |
| 18             | 67D-14527-00-00 | .PLATE                 | 1        |              |
| 19             | 68T-14126-00-00 | .PLUG                  | 1        |              |
| 20             | 67D-1432A-00-00 | .PLUG                  | 1        |              |

T8PXHA 2002 / OIL PUMP



68R1100-2080

©2014 Yamaha Motor Corporation, U.S.A. All rights reserved.

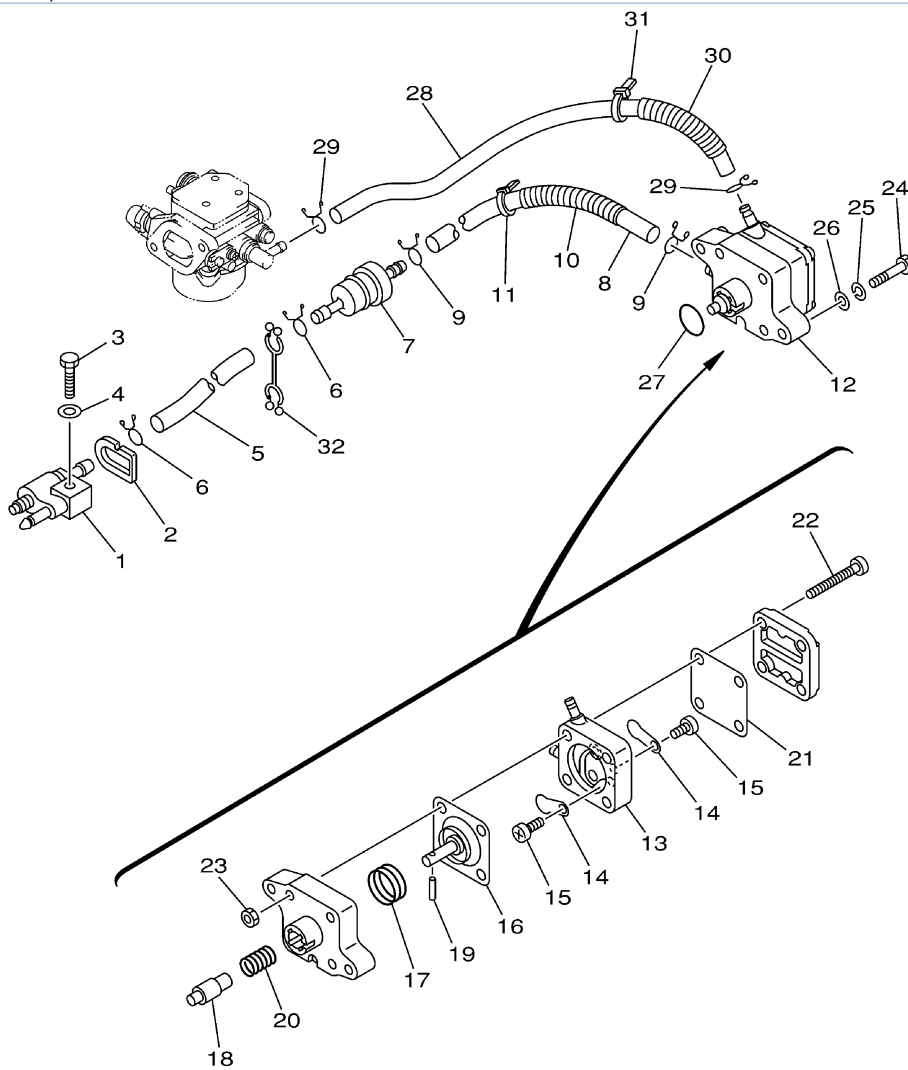
## Part List

T8PXHA 2002 / OIL PUMP

| REF<br>-<br>NO | PART<br>NUMBER  | PART NAME           | QUANTITY | REMARKS |
|----------------|-----------------|---------------------|----------|---------|
| 1              | 93102-18M21-00  | .OIL SEAL           | 1        |         |
| 2              | 68T-12171-00-00 | CAMSHAFT 1          | 1        |         |
| 3              | 66M-11537-00-94 | GEAR, DRIVEN        | 1        |         |
| 4              | 97013-06016-00  | BOLT                | 1        |         |
| 5              | 90201-13201-00  | WASHER, PLATE       | 1        |         |
| 6              | 90201-06M94-00  | WASHER, PLATE       | 1        |         |
| 7              | 68T-46241-00-00 | BELT                | 1        |         |
| 8              | 68T-11536-00-00 | GEAR, DRIVE         | 1        |         |
| 9              | 68T-11557-00-00 | WASHER 1            | 1        |         |
| 10             | 6G8-11587-01-00 | WASHER, LOCK        | 1        |         |
| 11             | 90170-24M09-00  | NUT                 | 1        |         |
| 12             | 90280-03M01-00  | .KEY, WOODRUFF      | 2        |         |
| 13             | 68T-46297-00-00 | COVER, DUST         | 1        |         |
| 14             | 90480-10627-00  | GROMMET             | 3        |         |
| 15             | 68T-13300-00-00 | OIL PUMP ASSY       | 1        |         |
| 16             | 68T-13329-00-00 | .GASKET, PUMP COVER | 1        |         |
| 17             | 97095-06030-00  | BOLT                | 3        |         |
| 18             | 92995-06600-00  | WASHER              | 3        |         |
| 19             | 6G9-12138-40-00 | MARK, CAUTION       | 1        |         |
| 20             | 68T-13437-40-00 | MARK, CAUTION       | 1        |         |



T8PXHA 2002 / FUEL 1



68R0010-0090

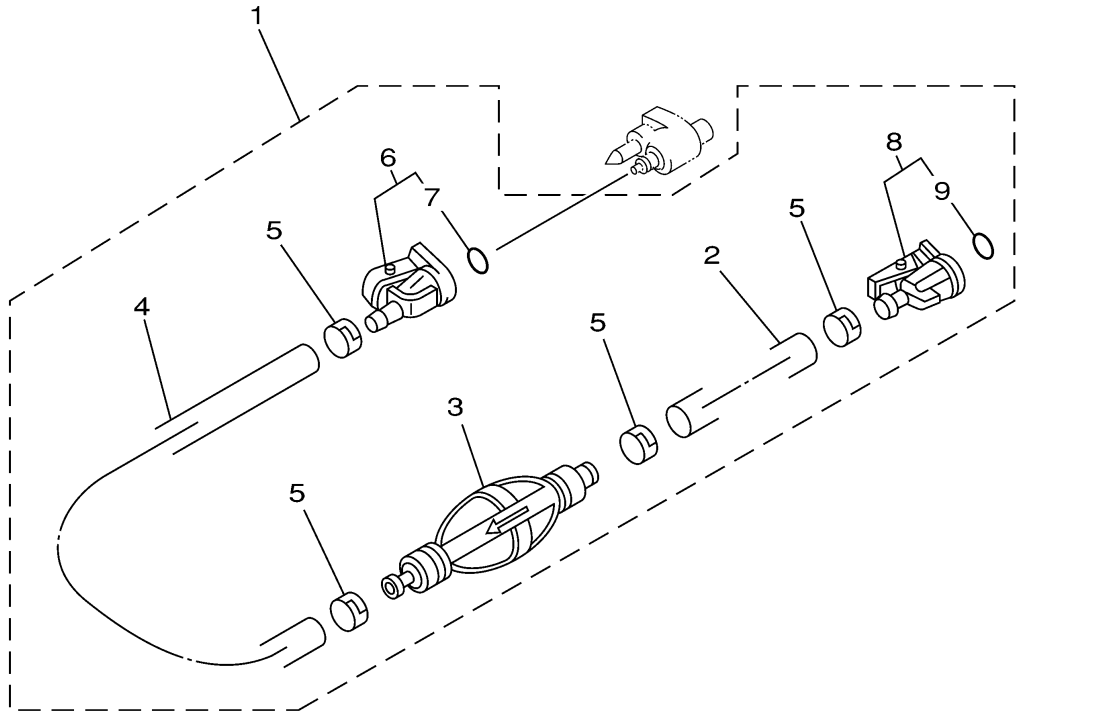
©2014 Yamaha Motor Corporation, U.S.A. All rights reserved.

## Part List

T8PXHA 2002 / FUEL 1

| REF<br>-<br>NO | PART<br>NUMBER  | PART NAME               | QUANTITY | REMARKS |
|----------------|-----------------|-------------------------|----------|---------|
| 1              | 6G1-24304-02-00 | FUEL PIPE JOINT COMP. 1 | 1        |         |
| 2              | 61N-24329-00-00 | SEAL                    | 1        |         |
| 3              | 97095-06025-00  | BOLT                    | 1        |         |
| 4              | 92995-06600-00  | WASHER                  | 1        |         |
| 5              | 90445-10M18-00  | .HOSE (L295)            | 1        |         |
| 6              | 90467-09M09-00  | CLIP                    | 2        |         |
| 7              | 68T-24251-00-00 | STRAINER 1              | 1        |         |
| 8              | 90445-10M50-00  | HOSE (L170)             | 1        |         |
| 9              | 90467-09M09-00  | CLIP                    | 2        |         |
| 10             | 90446-14M66-00  | HOSE (L40)              | 1        |         |
| 11             | 90465-11M10-00  | CLAMP                   | 1        |         |
| 12             | 68T-24410-00-00 | FUEL PUMP ASSY          | 1        |         |
| 13             | 66M-24413-01-00 | .BODY 2                 | 1        |         |
| 14             | 6A0-24421-01-00 | .VALVE, CHECK           | 2        |         |
| 15             | 6E7-14325-00-00 | .SCREW, PAN HEAD        | 2        |         |
| 16             | 66M-24411-00-00 | .DIAPHRAGM              | 1        |         |
| 17             | 66M-24423-00-00 | .SPRING, DIAPHRAGM      | 1        |         |
| 18             | 66M-13131-00-00 | .PLUNGER                | 1        |         |
| 19             | 66M-24374-00-00 | .PIN                    | 1        |         |
| 20             | 66M-24454-00-00 | .SPRING                 | 1        |         |
| 21             | 66M-24471-00-00 | .DIAPHRAGM              | 1        |         |
| 22             | 66M-24444-00-00 | .SCREW                  | 4        |         |
| 23             | 95380-05600-00  | .NUT                    | 4        |         |
| 24             | 97095-06030-00  | BOLT                    | 2        |         |
| 25             | 92995-06100-00  | WASHER, SPRING          | 2        |         |
| 26             | 92995-06600-00  | WASHER                  | 2        |         |
| 27             | 93210-20M65-00  | .O-RING                 | 1        |         |
| 28             | 90445-10016-00  | HOSE (L280)             | 1        |         |
| 29             | 90467-09M09-00  | CLIP                    | 2        |         |
| 30             | 90446-14M66-00  | HOSE (L40)              | 1        |         |
| 31             | 90465-11M10-00  | CLAMP                   | 1        |         |
| 32             | 90464-10M53-00  | CLAMP                   | 1        |         |

T8PXHA 2002 / FUEL 2



6960100-0050

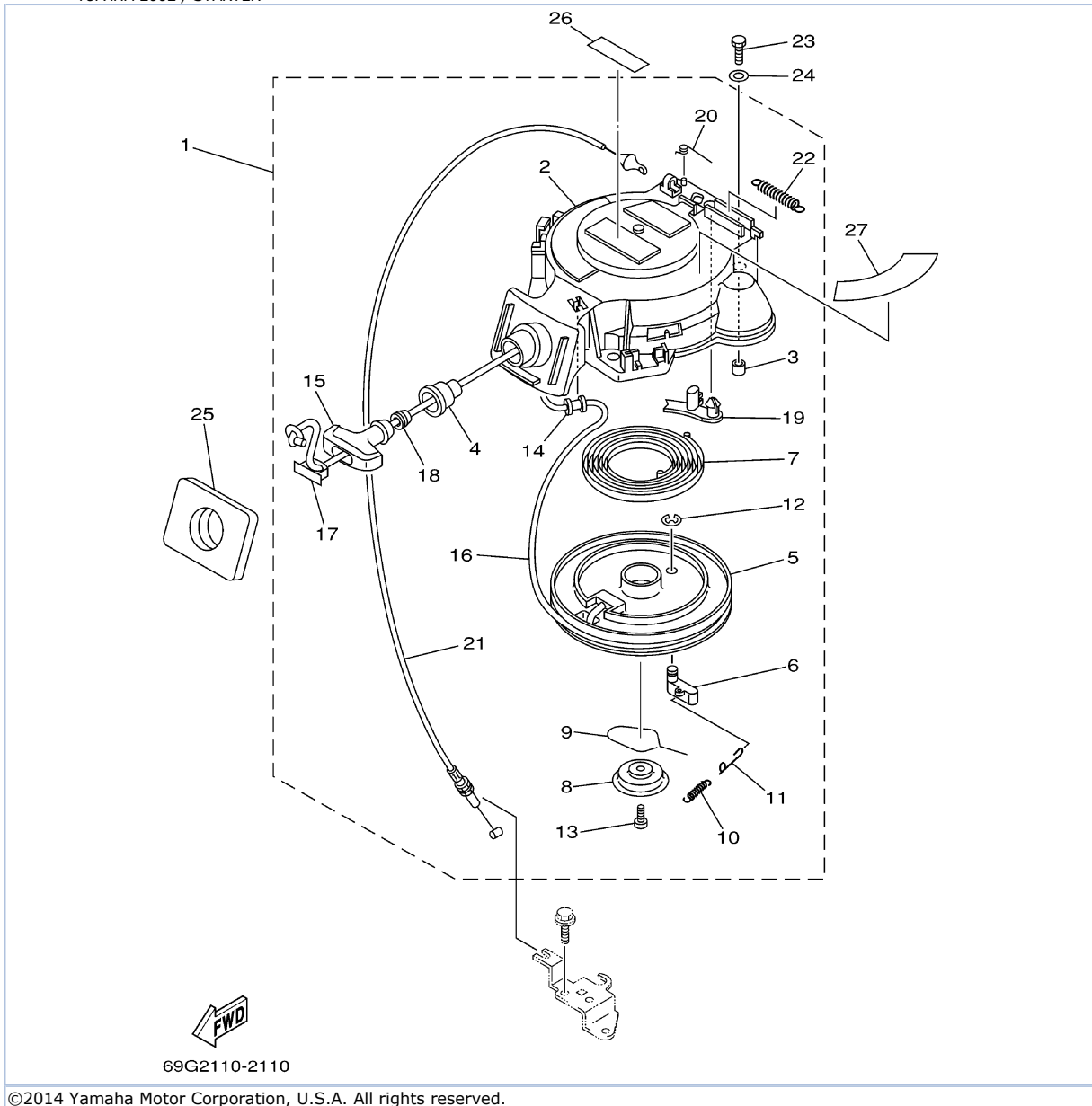
©2014 Yamaha Motor Corporation, U.S.A. All rights reserved.

## Part List

T8PXHA 2002 / FUEL 2

| REF<br>-<br>NO | PART<br>NUMBER  | PART NAME               | QUANTITY | REMARKS |
|----------------|-----------------|-------------------------|----------|---------|
| 1              | 6Y1-24306-53-00 | FUEL PIPE COMP. 1       | 1        | AP      |
| 2              | 90445-11M06-00  | .HOSE (L2050)           | 1        |         |
| 3              | 6Y1-24360-52-00 | .PRIMER PUMP ASSY       | 1        |         |
| 4              | 90445-11M05-00  | .HOSE (L850)            | 1        |         |
| 5              | 650-24351-51-00 | .BAND 1                 | 4        |         |
| 6              | 6G1-24305-03-00 | .FUEL PIPE JOINT COMP 2 | 1        |         |
| 7              | 93210-08287-00  | ..O-RING                | 1        |         |
| 8              | 6Y1-24305-04-00 | .FUEL PIPE JOINT COMP 2 | 1        |         |
| 9              | 93210-08287-00  | ..O-RING                | 1        |         |

T8PXHA 2002 / STARTER



69G2110-2110

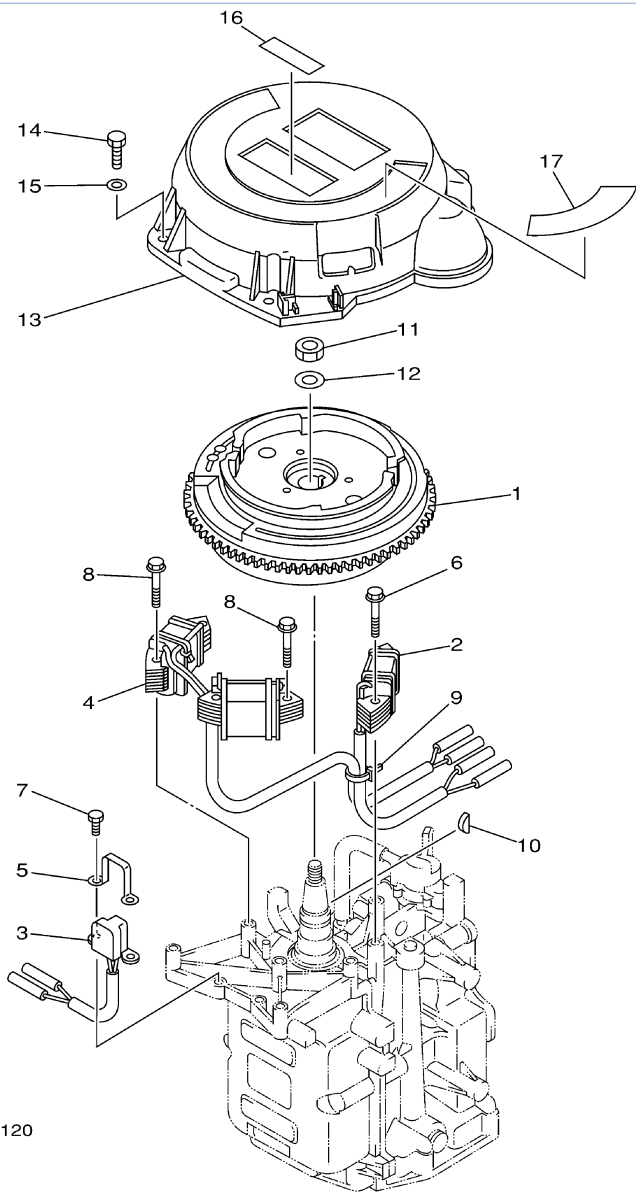
©2014 Yamaha Motor Corporation, U.S.A. All rights reserved.

## Part List

T8PXHA 2002 / STARTER

| REF<br>-<br>NO | PART<br>NUMBER  | PART NAME                    | QUANTITY | REMARKS |
|----------------|-----------------|------------------------------|----------|---------|
| 1              | 68T-15710-01-00 | STARTER ASSY                 | 1        | EH(EH)  |
| 2              | 68T-15711-01-00 | .CASE, STARTER               | 1        | (EH)    |
| 3              | 67D-15764-00-00 | .COLLAR 1                    | 3        | (EH)    |
| 4              | 68T-15795-00-00 | .GUIDE, ROPE                 | 1        | (EH)    |
| 5              | 63V-15714-00-00 | .DRUM, SHEAVE                | 1        | (EH)    |
| 6              | 63V-15741-00-00 | .PAWL, DRIVE                 | 1        | (EH)    |
| 7              | 63V-15713-00-00 | .SPRING, STARTER             | 1        | (EH)    |
| 8              | 68T-15716-00-00 | .PLATE, DRIVE                | 1        | (EH)    |
| 9              | 63V-15705-01-00 | .SPRING, DRIVE PAWL          | 1        | (EH)    |
| 10             | 63V-15767-01-00 | .SPRING                      | 1        | (EH)    |
| 11             | 68T-15784-00-00 | .SPRING, RETURN              | 1        | (EH)    |
| 12             | 63V-15744-00-00 | .CIRCLIP                     | 1        | (EH)    |
| 13             | 68T-15793-00-00 | .SCREW                       | 1        | (EH)    |
| 14             | 68T-15764-00-00 | .COLLAR 1                    | 1        | (EH)    |
| 15             | 6G1-15755-00-00 | .HANDLE, STARTER             | 1        | (EH)    |
| 16             | 90580-40M02-00  | .ROPE, STARTER               | 1        | (EH)    |
| 17             | 6G1-15779-00-00 | .COVER                       | 1        | (EH)    |
| 18             | 6A0-15789-00-00 | .DAMPER                      | 1        | (EH)    |
| 19             | 66T-15794-00-00 | .STOPPER                     | 1        | (EH)    |
| 20             | 66T-15734-00-00 | .SPRING, RETURN              | 1        | (EH)    |
| 21             | 68T-15770-00-00 | .CABLE COMP, STARTER<br>STOP | 1        | (EH)    |
| 22             | 66T-15731-00-00 | .SPRING, RETURN              | 1        | (EH)    |
| 23             | 97095-06020-00  | BOLT                         | 3        | EH(EH)  |
| 24             | 92995-06600-00  | WASHER                       | 3        | EH(EH)  |
| 25             | 68T-15762-00-00 | SEAL, RUBBER 2               | 1        | EH(EH)  |
| 26             | 6A1-83625-41-00 | MARK 5                       | 1        | EH(EH)  |
| 27             | 68T-85711-40-00 | MARK, CAUTION                | 1        | EH(EH)  |

T8PXHA 2002 / GENERATOR



©2014 Yamaha Motor Corporation, U.S.A. All rights reserved.

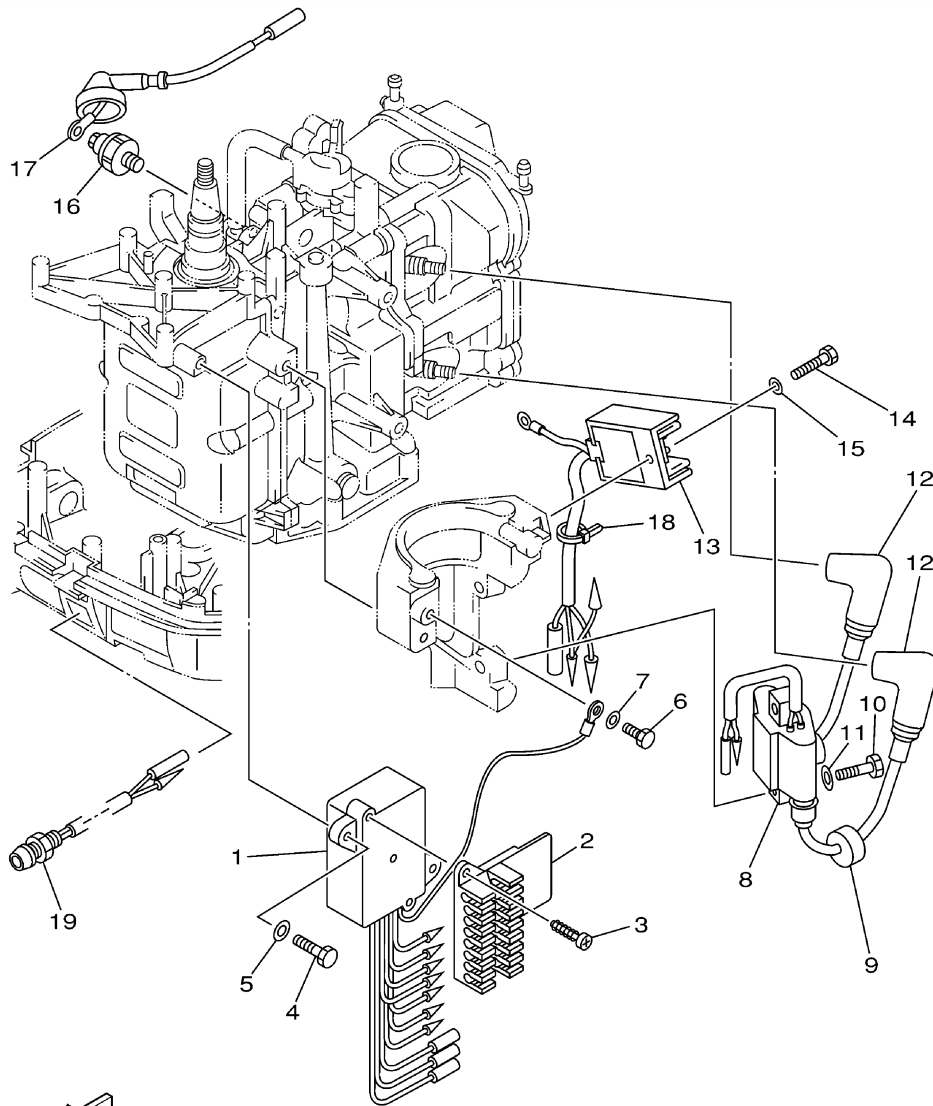
## Part List

T8PXHA 2002 / GENERATOR

| REF<br>-<br>NO | PART<br>NUMBER  | PART NAME          | QUANTITY | REMARKS      |
|----------------|-----------------|--------------------|----------|--------------|
| 1              | 68T-85550-11-00 | ROTOR ASSY         | 1        |              |
| 2              | 68T-85520-00-00 | COIL, CHARGE       | 1        |              |
| 3              | 68T-85580-01-00 | COIL, PULSER       | 1        |              |
| 4              | 68T-85533-10-00 | COIL, LIGHTING     | 1        |              |
| 5              | 6H2-85582-00-00 | ATTACHMENT, PULSER | 1        |              |
| 6              | 90119-06014-00  | BOLT, WITH WASHER  | 2        |              |
| 7              | 97095-05010-00  | BOLT               | 2        |              |
| 8              | 90119-06MA1-00  | BOLT, WITH WASHER  | 4        |              |
| 9              | 90465-11M10-00  | CLAMP              | 1        |              |
| 10             | 90280-04M06-00  | KEY, WOODRUFF      | 1        |              |
| 11             | 90170-12066-00  | NUT                | 1        |              |
| 12             | 90201-12472-00  | WASHER, PLATE      | 1        |              |
| 13             | 69G-81337-00-00 | COVER, FLYWHEEL    | 1        | PH/PR (PH/R) |
| 14             | 97095-06020-00  | BOLT               | 3        | PH/PR (PH/R) |
| 15             | 92995-06600-00  | WASHER             | 3        | PH/PR (PH/R) |
| 16             | 6A1-83625-41-00 | MARK 5             | 1        | PH/PR (PH/R) |
| 17             | 68T-85711-40-00 | MARK, CAUTION      | 1        | PH/PR (PH/R) |



T8PXHA 2002 / ELECTRICAL 1



69G0100-1130

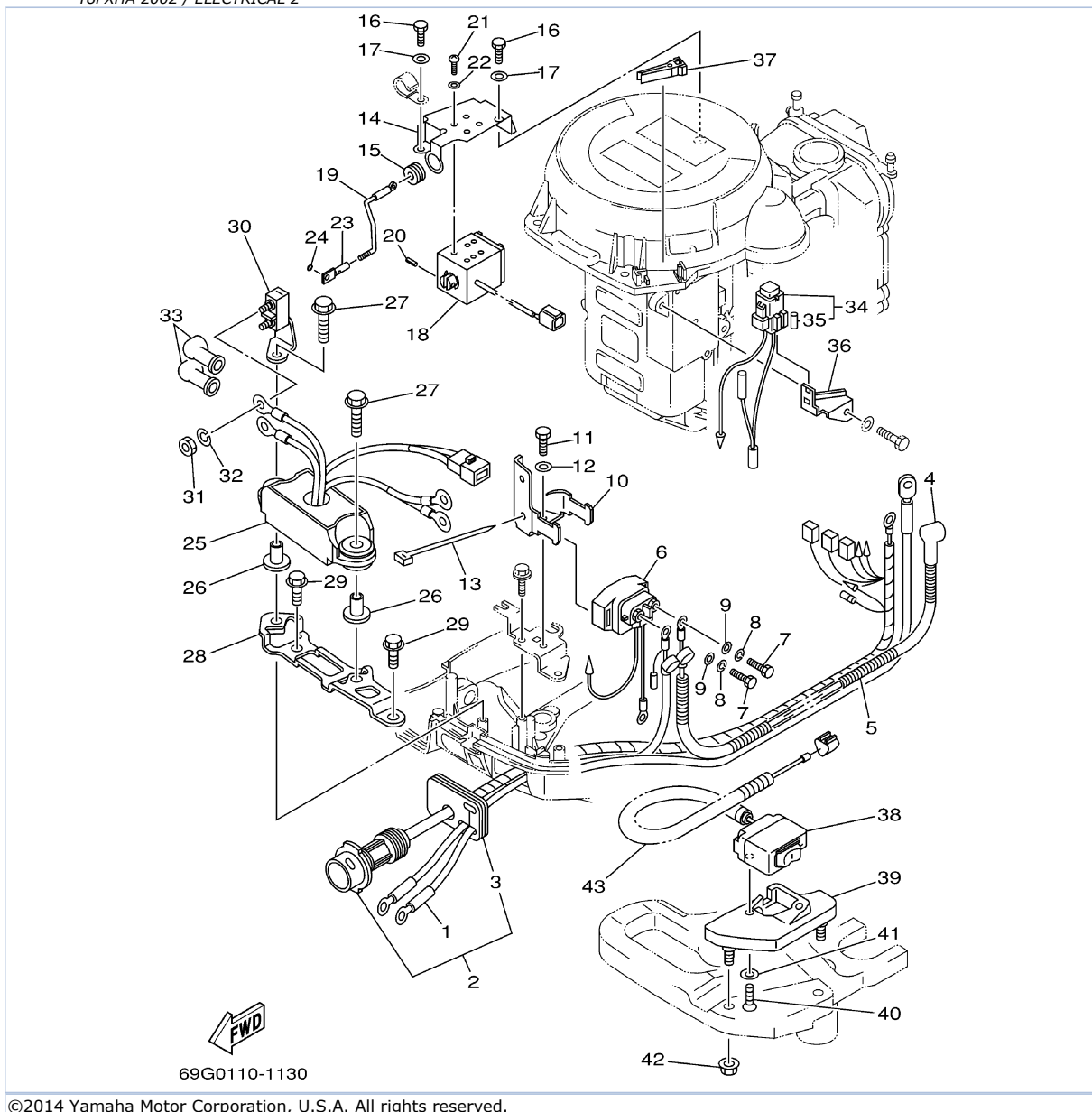
©2014 Yamaha Motor Corporation, U.S.A. All rights reserved.

## Part List

T8PXHA 2002 / ELECTRICAL 1

| REF<br>-<br>NO | PART<br>NUMBER  | PART NAME                      | QUANTITY | REMARKS |
|----------------|-----------------|--------------------------------|----------|---------|
| 1              | 68T-85540-00-00 | C.D.I. UNIT ASSY               | 1        |         |
| 2              | 68T-82522-00-00 | CLAMP, COUPLER                 | 1        |         |
| 3              | 97780-40512-00  | SCREW, TAPPING                 | 2        |         |
| 4              | 97095-06020-00  | BOLT                           | 2        |         |
| 5              | 92995-06600-00  | WASHER                         | 2        |         |
| 6              | 97095-06012-00  | BOLT                           | 1        |         |
| 7              | 92995-06600-00  | WASHER                         | 1        |         |
| 8              | 680-85570-00-00 | IGNITION COIL ASSY             | 1        |         |
| 9              | 90480-25161-00  | GROMMET                        | 2        |         |
| 10             | 97095-06025-00  | BOLT                           | 2        |         |
| 11             | 92995-06600-00  | WASHER                         | 2        |         |
| 12             | 6E3-82370-21-00 | PLUG CAP ASSY                  | 2        |         |
| 13             | 68T-81960-00-00 | RECTIFIER & REGULATOR<br>ASSY  | 1        |         |
| 14             | 97095-06012-00  | BOLT                           | 1        |         |
| 15             | 92995-06600-00  | WASHER                         | 1        |         |
| 16             | 67F-82504-00-00 | OIL PRESSURE SWITCH ASSY       | 1        |         |
| 17             | 68T-82127-10-00 | WIRE, LEAD 2                   | 1        |         |
| 18             | 90465-11M10-00  | CLAMP                          | 1        |         |
| 19             | 68T-85410-00-00 | EMERGENCY SIGNAL LIGHT<br>ASSY | 1        |         |

T8PXHA 2002 / ELECTRICAL 2



69G0110-1130

©2014 Yamaha Motor Corporation, U.S.A. All rights reserved.


## Part List

T8PXHA 2002 / ELECTRICAL 2

| REF - NO | PART NUMBER     | PART NAME               | QUANTITY | REMARKS         |
|----------|-----------------|-------------------------|----------|-----------------|
| 1        | 69G-82105-00-00 | BATTERY CABLE (L: 3.0M) | 1        |                 |
| 2        | 69G-82590-00-00 | WIRE HARNESS ASSY       | 1        | PR (PH/R)       |
| 3        | 69G-42724-60-00 | .GROMMET                | 1        | (PH/R)          |
| 4        | 6G8-82117-00-00 | WIRE, LEAD              | 1        |                 |
| 5        | 90446-10M86-00  | HOSE (L140)             | 1        |                 |
| 6        | 68T-81940-00-00 | STARTER RELAY ASSY      | 1        |                 |
| 7        | 97095-06010-00  | BOLT                    | 2        |                 |
| 8        | 92995-06100-00  | WASHER, SPRING          | 2        |                 |
| 9        | 92995-06600-00  | WASHER                  | 2        |                 |
| 10       | 68T-81945-00-00 | PLATE, SWITCH FITTING   | 1        |                 |
| 11       | 97095-06012-00  | BOLT                    | 1        |                 |
| 12       | 92995-06600-00  | WASHER                  | 1        |                 |
| 13       | 90465-13M11-00  | CLAMP                   | 2        | UR PH/PR (PH/R) |
| 13       | 90465-12M56-00  | CLAMP                   | 1        | UR EH(EH)       |
| 14       | 68T-86112-00-00 | STAY, SOLENOID          | 1        | PR (PH/R)       |
| 15       | 90480-13018-00  | GROMMET                 | 1        | PR (PH/R)       |
| 16       | 97095-06012-00  | BOLT                    | 2        | PR (PH/R)       |
| 17       | 92995-06600-00  | WASHER                  | 2        | PR (PH/R)       |
| 18       | 68T-86111-00-00 | COIL, SOLENOID          | 1        | PR (PH/R)       |
| 19       | 68T-41237-00-00 | JOINT, LINK             | 1        | PR (PH/R)       |
| 20       | 91690-30010-00  | PIN, SPRING             | 1        | PR (PH/R)       |
| 21       | 97880-04008-00  | SCREW, PAN HEAD         | 4        | PR (PH/R)       |
| 22       | 92990-04600-00  | WASHER, PLATE           | 4        | PR (PH/R)       |
| 23       | 68T-86117-00-00 | HOOK, WIRE PULL         | 1        | PR (PH/R)       |
| 24       | 93210-03261-00  | O-RING                  | 1        | PR (PH/R)       |
| 25       | 69G-81950-00-00 | RELAY ASSY              | 1        | PH/PR (PH/R)    |
| 26       | 90387-06M03-00  | COLLAR                  | 2        | PH/PR (PH/R)    |
| 27       | 90119-06M56-00  | BOLT, WITH WASHER       | 2        | PH/PR (PH/R)    |
| 28       | 69G-81948-00-00 | BRACKET                 | 1        | PH/PR (PH/R)    |
| 29       | 90109-06M80-00  | .BOLT                   | 2        | PH/PR (PH/R)    |
| 30       | 69G-81925-00-00 | TERMINAL                | 1        | PH/PR (PH/R)    |
| 31       | 90170-06M30-00  | NUT                     | 2        | PH/PR (PH/R)    |
| 32       | 90204-06M00-00  | WASHER, SPRING          | 2        | PH/PR (PH/R)    |
| 33       | 6G5-82119-00-00 | COVER, LEAD WIRE        | 2        | PH/PR (PH/R)    |
| 34       | 68T-82150-00-00 | FUSE HOLDER ASSY        | 1        |                 |
| 35       | 66V-82151-00-00 | .FUSE (10A-BL)          | 2        |                 |
| 36       | 68T-82171-00-00 | STAY, FUSE BOX          | 1        |                 |
| 37       | 67F-2812A-00-00 | .PULLER, FUSE           | 1        |                 |
| 38       | 69G-82563-10-00 | TRIM & TILT SWITCH ASSY | 1        | PR (PH/R)       |
| 39       | 69G-83773-00-00 | BRACKET, SWITCH         | 1        | PR (PH/R)       |
| 40       | 97880-06020-00  | SCREW, PAN HEAD         | 2        | PR (PH/R)       |
| 41       | 92990-06600-00  | WASHER, PLATE           | 2        | PR (PH/R)       |
| 42       | 90179-06M24-00  | NUT                     | 2        | PR (PH/R)       |
| 43       | 90447-07006-00  | TUBE                    | 1        | PR (PH/R)       |

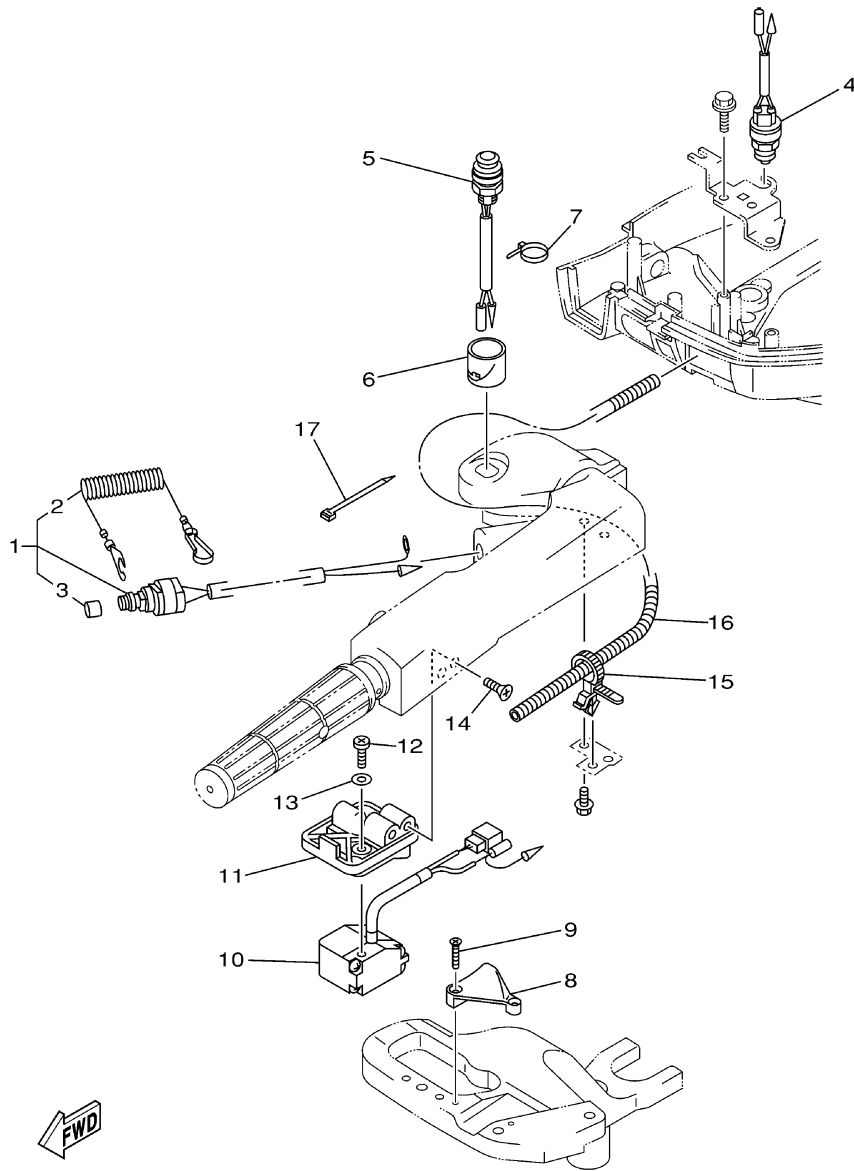
## Part Notes

T8PXHA 2002 / ELECTRICAL 2

| PART NUMBER  | NOTE TEXT  |
|--|--|
| 92990-06600-00  | OEM: This part number is among the Top 100 Most Popular Marine Maintenance Parts as of March 2014. |

©2014 Yamaha Motor Corporation, U.S.A. All rights reserved.

T8PXHA 2002 / ELECTRICAL 3



69G0110-1140

©2014 Yamaha Motor Corporation, U.S.A. All rights reserved.


## Part List

T8PXHA 2002 / ELECTRICAL 3

| REF<br>-<br>NO | PART<br>NUMBER  | PART NAME               | QUANTITY | REMARKS   |
|----------------|-----------------|-------------------------|----------|-----------|
| 1              | 65W-82575-01-00 | ENGINE STOP SWITCH ASSY | 1        |           |
| 2              | 682-82556-00-00 | .LANYARD, STOP SWITCH   | 1        |           |
| 3              | 689-8257Y-00-00 | .CAP                    | 1        |           |
| 4              | 6F5-82540-00-00 | NEUTRAL SWITCH ASSY     | 1        |           |
| 5              | 68T-81870-00-00 | STARTING SWITCH ASSY    | 1        |           |
| 6              | 68T-81821-00-00 | COVER, SWITCH           | 1        |           |
| 7              | 90465-11M10-00  | CLAMP                   | 1        |           |
| 8              | 68T-82594-00-00 | CLAMP                   | 1        |           |
| 9              | 90151-05003-00  | SCREW, COUNTERSUNK      | 2        |           |
| 10             | 69G-82563-00-00 | TRIM & TILT SWITCH ASSY | 1        | PH (PH/R) |
| 11             | 69C-42176-00-00 | STAY 2                  | 1        | PH (PH/R) |
| 12             | 97885-06020-00  | SCREW, PAN HEAD         | 2        | PH (PH/R) |
| 13             | 92995-06600-00  | WASHER                  | 2        | PH (PH/R) |
| 14             | 90151-06004-00  | SCREW, COUNTERSUNK      | 3        | PH (PH/R) |
| 15             | 90465-12M56-00  | CLAMP                   | 2        | PH (PH/R) |
| 16             | 90447-07002-00  | TUBE (L650)             | 1        | PH (PH/R) |
| 17             | 90465-13M11-00  | CLAMP                   | 1        | PH (PH/R) |

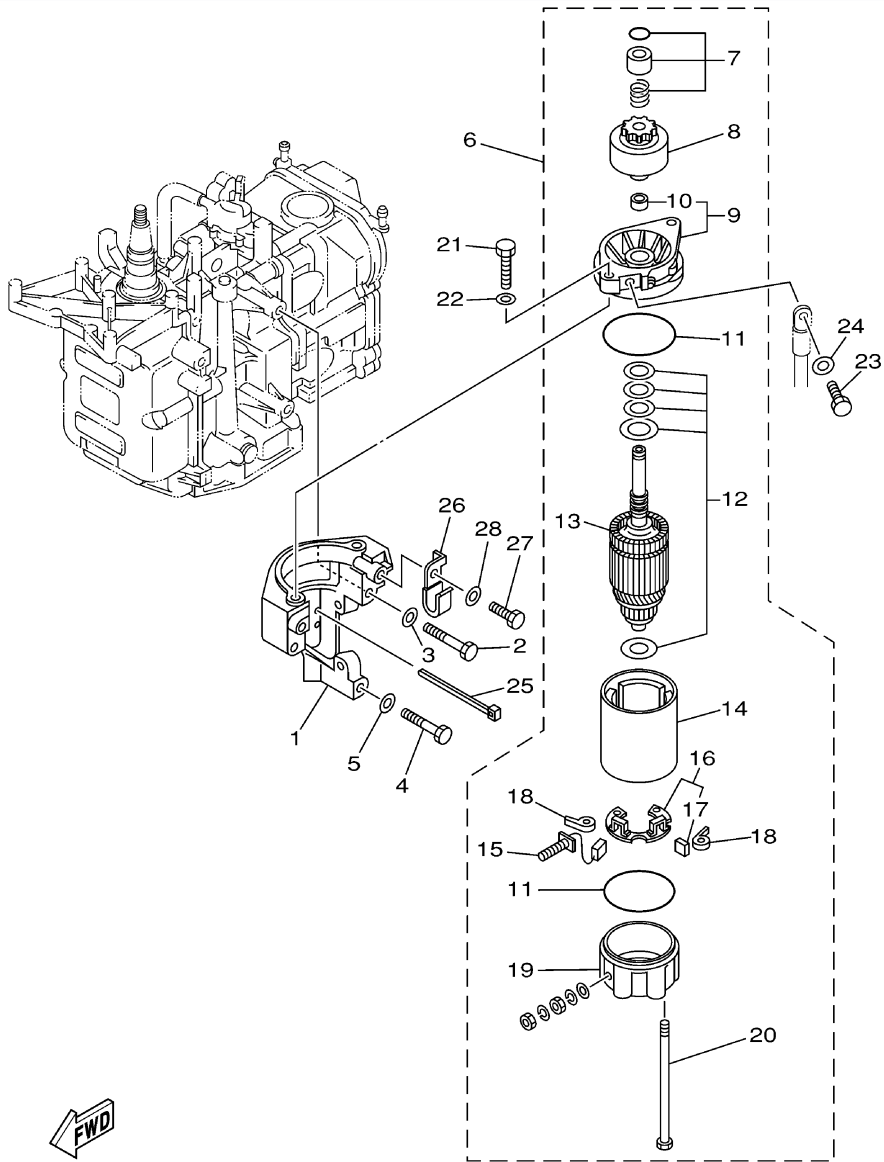
## Part Notes

T8PXHA 2002 / ELECTRICAL 3

| PART NUMBER   | NOTE TEXT  |
|---|--|
| 682-82556-00-00  | OEM: This part number is among the Top 100 Most Popular Marine Maintenance Parts as of March 2014. |

©2014 Yamaha Motor Corporation, U.S.A. All rights reserved.

T8PXHA 2002 / STARTING MOTOR



68R0010-0150

©2014 Yamaha Motor Corporation, U.S.A. All rights reserved.

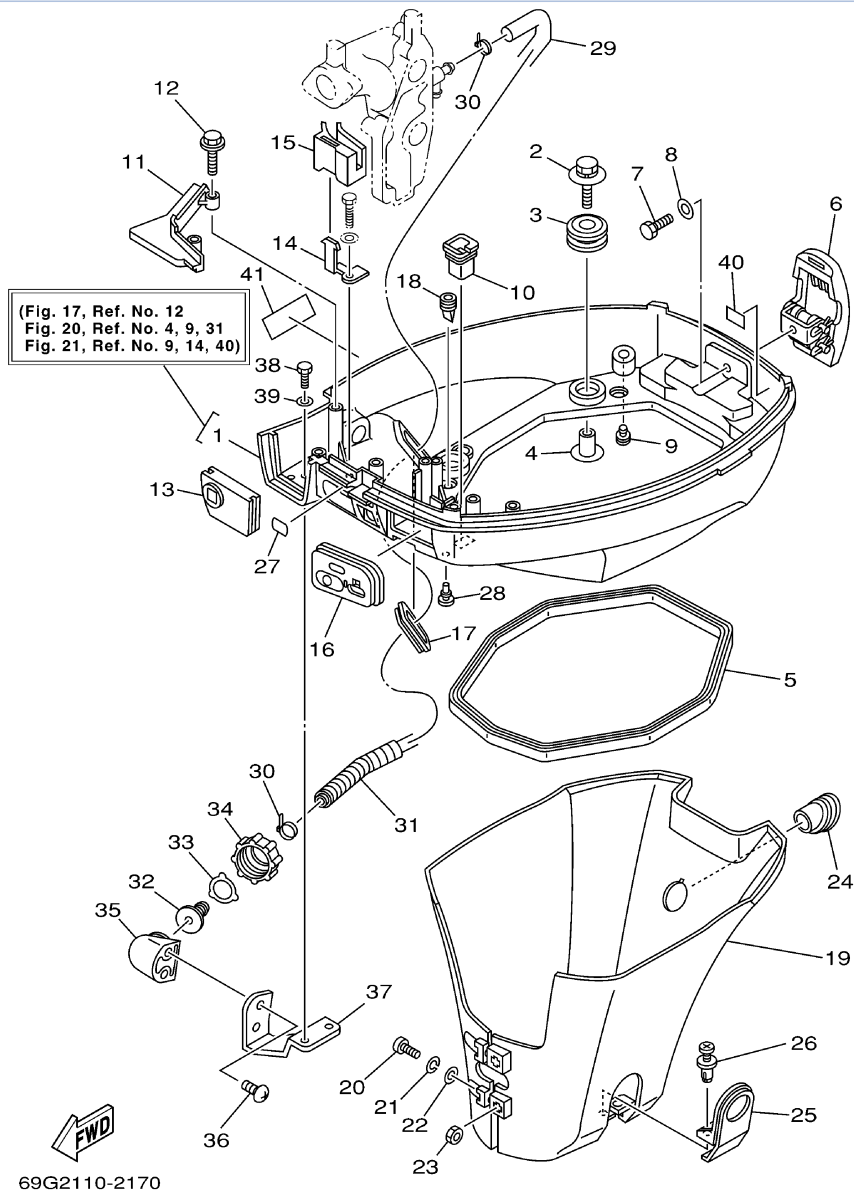
## Part List

T8PXHA 2002 / STARTING MOTOR

| REF<br>-<br>NO | PART<br>NUMBER  | PART NAME                     | QUANTITY | REMARKS |
|----------------|-----------------|-------------------------------|----------|---------|
| 1              | 68T-81822-00-94 | BRACKET, STARTING MOTOR       | 1        |         |
| 2              | 97013-08055-00  | BOLT                          | 2        |         |
| 3              | 92903-08600-00  | WASHER, PLATE                 | 2        |         |
| 4              | 97013-08040-00  | BOLT                          | 1        |         |
| 5              | 92903-08600-00  | WASHER, PLATE                 | 1        |         |
| 6              | 68T-81800-00-00 | STARTING MOTOR ASSY           | 1        |         |
| 7              | 68T-81857-00-00 | .RETAINER                     | 1        |         |
| 8              | 689-81807-12-00 | .GEAR ASSY, STARTING<br>MOTOR | 1        |         |
| 9              | 6F5-81830-11-00 | .FRONT BRACKET ASSY           | 1        |         |
| 10             | 689-81831-00-00 | ..METAL, FRONT                | 1        |         |
| 11             | 689-81847-11-00 | .O-RING                       | 2        |         |
| 12             | 689-81809-11-00 | .WASHER KIT                   | 1        |         |
| 13             | 689-81850-12-00 | .ARMATURE ASSY                | 1        |         |
| 14             | 689-81810-11-00 | .STATOR ASSY                  | 1        |         |
| 15             | 689-81811-11-00 | .BRUSH 1                      | 1        |         |
| 16             | 689-81840-11-00 | .BRUSH HOLDER ASSY            | 1        |         |
| 17             | 689-81812-11-00 | ..BRUSH 2                     | 1        |         |
| 18             | 689-81813-10-00 | .SPRING, BRUSH                | 2        |         |
| 19             | 689-81820-11-00 | .REAR BRACKET ASSY            | 1        |         |
| 20             | 689-81826-10-00 | .BOLT                         | 2        |         |
| 21             | 97013-08025-00  | BOLT                          | 2        |         |
| 22             | 92903-08600-00  | WASHER, PLATE                 | 2        |         |
| 23             | 97013-08016-00  | BOLT                          | 1        |         |
| 24             | 92903-08600-00  | WASHER, PLATE                 | 1        |         |
| 25             | 90465-11M10-00  | CLAMP                         | 1        |         |
| 26             | 90465-08M99-00  | CLAMP                         | 1        |         |
| 27             | 97095-06012-00  | BOLT                          | 1        |         |
| 28             | 92995-06600-00  | WASHER                        | 1        |         |



T8PXHA 2002 / BOTTOM COWLING



69G2110-2170

©2014 Yamaha Motor Corporation, U.S.A. All rights reserved.


## Part List

T8PXHA 2002 / BOTTOM COWLING

| REF - NO | PART NUMBER     | PART NAME           | QUANTITY | REMARKS           |
|----------|-----------------|---------------------|----------|-------------------|
| 1        | 68T-42710-00-4D | BOTTOM COWLING ASSY | 1        | WITH TAPPING BOLT |
| 2        | 68F-85119-00-00 | BOLT                | 4        |                   |
| 3        | 90480-21M82-00  | GROMMET             | 4        |                   |
| 4        | 68F-86129-00-00 | COLLAR              | 4        |                   |
| 5        | 68T-42716-00-00 | RUBBER, SEAL 1      | 1        |                   |
| 6        | 68T-42801-00-00 | COWLING CLAMP COMP. | 1        |                   |
| 7        | 97095-06012-00  | BOLT                | 1        |                   |
| 8        | 92995-06600-00  | WASHER              | 1        |                   |
| 9        | 6H3-44391-01-00 | NIPPLE, HOSE        | 1        |                   |
| 10       | 682-42727-00-00 | GROMMET             | 1        |                   |
| 11       | 68T-42738-00-4D | PLATE, FITTING      | 1        |                   |
| 12       | 90109-06M81-00  | BOLT                | 2        |                   |
| 13       | 68T-42725-10-00 | .GROMMET            | 1        | UR PR (PH/R)      |
| 13       | 68T-42725-00-00 | GROMMET             | 1        | UR EH/PH          |
| 14       | 68T-26393-00-00 | HOLDER              | 1        | EH/PH             |
| 15       | 68T-26367-00-00 | PROTECTOR           | 1        | EH/PH             |
| 16       | 68T-42724-30-00 | GROMMET             | 1        | UR EH(EH)         |
| 16       | 69G-42724-50-00 | GROMMET             | 1        | UR PH (PH/R)      |
| 17       | 69G-42726-00-00 | GROMMET             | 1        | UR PH/PR (PH/R)   |
| 17       | 688-42726-10-00 | GROMMET             | 1        | UR EH(EH)         |
| 18       | 65W-42717-00-00 | RUBBER, SEAL 2      | 2        |                   |
| 19       | 68T-42741-00-00 | APRON               | 1        |                   |
| 20       | 97880-06030-00  | SCREW, PAN HEAD     | 2        |                   |
| 21       | 92990-06100-00  | ..WASHER, SPRING    | 2        |                   |
| 22       | 92990-06600-00  | WASHER, PLATE       | 2        |                   |
| 23       | 95380-06600-00  | NUT, HEXAGON        | 2        |                   |
| 24       | 68T-42717-00-00 | RUBBER, SEAL 2      | 1        |                   |
| 25       | 68T-42771-00-00 | APRON               | 1        |                   |
| 26       | 90338-06M20-00  | PLUG                | 2        |                   |
| 27       | 65W-84342-00-00 | SEAT, EMBLEM        | 1        |                   |
| 28       | 90480-06M19-00  | GROMMET             | 1        | PR (PH/R)         |
| 29       | 6E5-12481-00-00 | PIPE 1              | 1        | FLUSHING KIT      |
| 30       | 90465-11M10-00  | CLAMP               | 2        | FLUSHING KIT      |
| 31       | 90447-13M00-00  | TUBE                | 1        | FLUSHING KIT      |
| 32       | 6R3-12582-00-00 | JOINT, HOSE 2       | 1        | FLUSHING KIT      |
| 33       | 6R3-12583-00-00 | GASKET, HOSE JOINT  | 1        | FLUSHING KIT      |
| 34       | 6R3-12581-00-00 | JOINT, HOSE 1       | 1        | FLUSHING KIT      |
| 35       | 68T-12572-00-00 | ADAPTER             | 1        | FLUSHING KIT      |
| 36       | 97780-60520-00  | SCREW, TAPPING      | 2        | FLUSHING KIT      |
| 37       | 68T-12535-10-00 | PLATE               | 1        | UR PR (PH/R)      |
| 37       | 68T-12535-00-00 | PLATE               | 1        | UR EH/PH          |
| 38       | 97095-06010-00  | BOLT                | 2        | UR PR (PH/R)      |
| 38       | 97095-06010-00  | BOLT                | 2        | UR EH/PH          |
| 39       | 92995-06600-00  | WASHER              | 2        | UR PR (PH/R)      |
| 39       | 92995-06600-00  | WASHER              | 2        | UR EH/PH          |
| 40       | 6H8-42791-10-00 | MARK 1              | 1        |                   |
| 41       | 62Y-13444-40-00 | MARK                | 1        |                   |

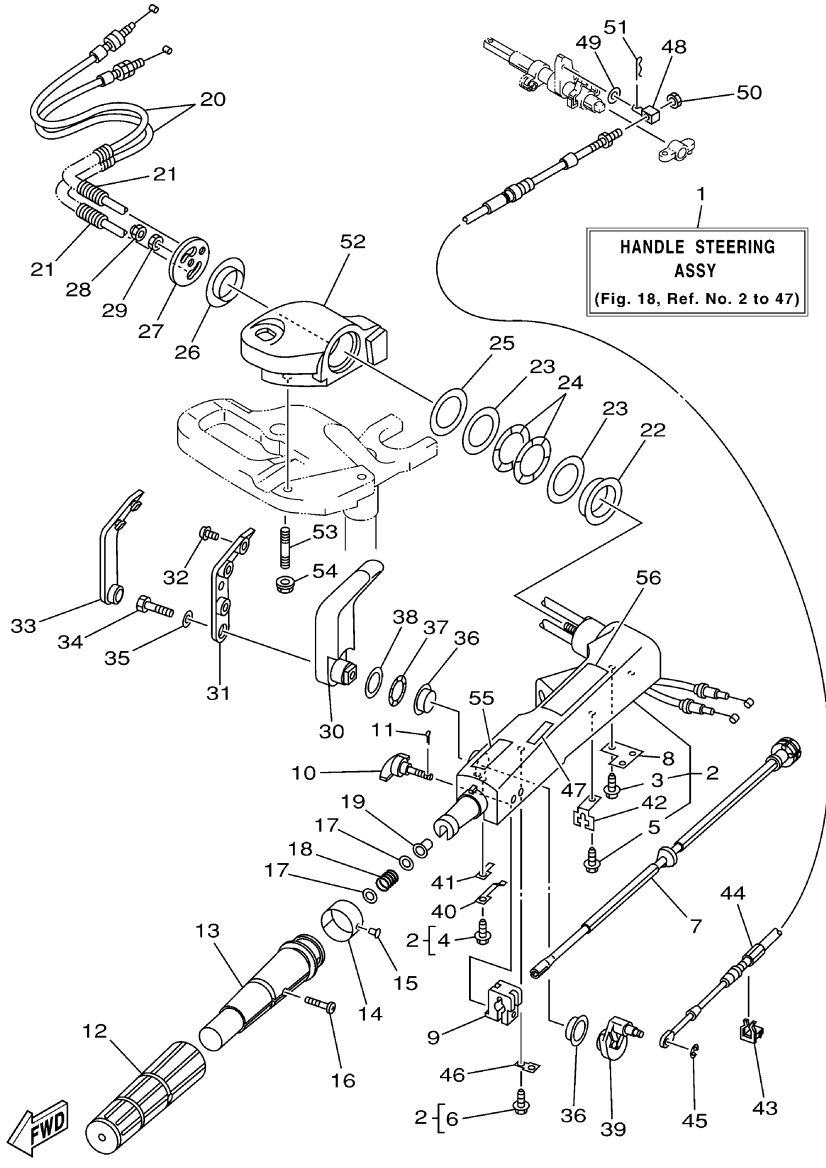
## Part Notes

T8PXHA 2002 / BOTTOM COWLING

| PART NUMBER  | NOTE TEXT  |
|--|--|
| 92990-06600-00  | OEM: This part number is among the Top 100 Most Popular Marine Maintenance Parts as of March 2014. |

©2014 Yamaha Motor Corporation, U.S.A. All rights reserved.

T8PXHA 2002 / STEERING (FOR EH/PH)



69G2110-2180

©2014 Yamaha Motor Corporation, U.S.A. All rights reserved.

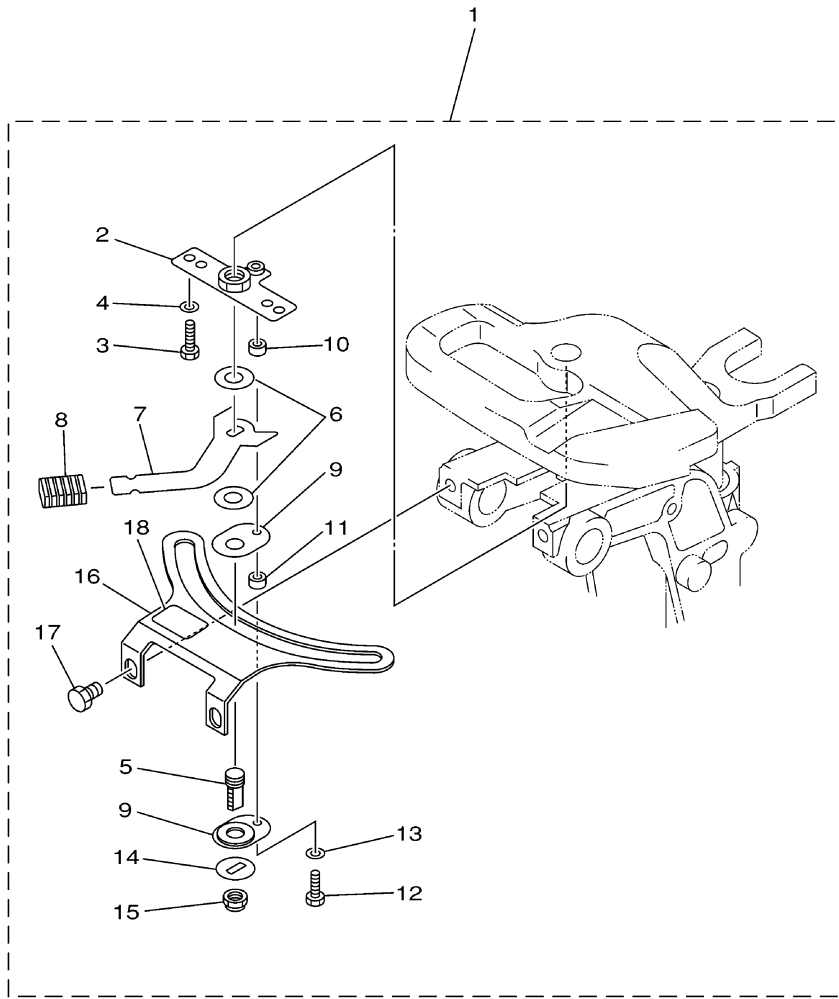
## Part List

T8PXHA 2002 / STEERING (FOR EH/PH)

| REF - NO | PART NUMBER     | PART NAME                          | QUANTITY | REMARKS      |
|----------|-----------------|------------------------------------|----------|--------------|
| 1        | 69C-W0084-00-4D | HANDLE STEERING ASSY               | 1        | UR PH (PH/R) |
| 1        | 68T-W0084-10-4D | HANDLE STEERING ASSY               | 1        | UR EH(EH)    |
| 2        | 69C-42101-01-4D | HANDLE, STEERING                   | 1        | UR PH (PH/R) |
| 2        | 66R-42101-01-4D | HANDLE, STEERING                   | 1        | UR EH(EH)    |
| 3        | 90109-06M86-00  | .BOLT                              | 2        |              |
| 4        | 90109-06M80-00  | .BOLT                              | 1        |              |
| 5        | 90109-06M80-00  | .BOLT                              | 1        |              |
| 6        | 90109-06M80-00  | .BOLT                              | 1        |              |
| 7        | 68T-42138-01-00 | LEVER, THROTTLE                    | 1        |              |
| 8        | 69A-42159-00-00 | STAY                               | 1        | UR PH (PH/R) |
| 8        | 65W-42159-00-00 | STAY                               | 1        | UR EH(EH)    |
| 9        | 6G1-42126-00-00 | FRICITION, STEERING<br>HANDLE GRIP | 1        |              |
| 10       | 65W-42125-00-00 | BOLT, FRICTION ADJUSTING           | 1        |              |
| 11       | 91490-16010-00  | PIN. COTTER                        | 1        |              |
| 12       | 67D-42177-00-00 | RUBBER, HANDLE                     | 1        |              |
| 13       | 67D-42119-00-00 | GRIP, STEERING HANDLE              | 1        |              |
| 14       | 68T-42137-00-00 | INDICATOR, THROTTLE                | 1        |              |
| 15       | 90269-02M09-00  | RIVET                              | 1        |              |
| 16       | 90149-05M13-00  | SCREW                              | 1        |              |
| 17       | 90201-10M02-00  | WASHER, PLATE                      | 2        |              |
| 18       | 90501-23215-00  | SPRING, COMPRESSION                | 1        |              |
| 19       | 90386-08032-00  | BUSH                               | 1        |              |
| 20       | 68T-26301-11-00 | THROTTLE CABLE ASSY                | 2        |              |
| 21       | 90447-07005-00  | TUBE                               | 2        |              |
| 22       | 66R-42171-00-00 | BUSHING                            | 1        |              |
| 23       | 90201-43M00-00  | WASHER, PLATE                      | 2        |              |
| 24       | 90206-43M22-00  | WASHER, WAVE                       | 2        |              |
| 25       | 90202-43M57-00  | WASHER, PLATE                      | 1        |              |
| 26       | 90386-40M99-00  | BUSH                               | 1        |              |
| 27       | 66M-42131-01-00 | COVER, HANDLE STEERING             | 1        |              |
| 28       | 95780-10300-00  | NUT, FLANGE                        | 1        |              |
| 29       | 95380-10700-00  | NUT                                | 1        |              |
| 30       | 66R-44111-00-4D | HANDLE, GEAR SHIFT                 | 1        |              |
| 31       | 66R-44173-00-00 | LEVER, SHIFT CONTROL               | 1        |              |
| 32       | 90159-06M18-00  | SCREW, WITH WASHER                 | 3        |              |
| 33       | 66R-42129-00-00 | BUSHING, RUBBER                    | 1        |              |
| 34       | 97095-08030-00  | BOLT                               | 1        |              |
| 35       | 92995-08600-00  | WASHER                             | 1        |              |
| 36       | 90386-26MA3-00  | BUSH                               | 2        |              |
| 37       | 90206-26M25-00  | WASHER, WAVE                       | 1        |              |
| 38       | 90202-26M59-00  | WASHER, PLATE                      | 1        |              |
| 39       | 68T-44113-01-00 | CAM PLATE, HANDLE                  | 1        |              |
| 40       | 66R-44116-00-00 | SPRING                             | 1        |              |
| 41       | 66R-44118-00-00 | BRACKET                            | 1        |              |
| 42       | 66R-48538-00-00 | CLAMP, CABLE 1                     | 1        |              |
| 43       | 63D-48538-00-00 | CLAMP, CABLE 1                     | 1        |              |
| 44       | 68T-48321-00-00 | CABLE                              | 1        |              |
| 45       | 99080-04600-00  | CIRCLIP                            | 1        |              |
| 46       | 69C-44114-00-00 | STOPPER                            | 1        | UR PH (PH/R) |
| 46       | 66R-44114-00-00 | STOPPER                            | 1        | UR EH(EH)    |
| 47       | 6E0-44191-11-00 | INDICATOR, SHIFT                   | 1        |              |
| 48       | 66R-48344-00-00 | CABLE END, REMOTE<br>CONTROL       | 1        |              |
| 49       | 90201-06M62-00  | WASHER, PLATE                      | 1        |              |
| 50       | 90170-05M38-00  | NUT                                | 1        |              |
| 51       | 91490-20012-00  | PIN. COTTER                        | 1        |              |
| 52       | 68T-42121-10-4D | BRACKET                            | 1        |              |
| 53       | 90116-10M28-00  | BOLT, STUD                         | 2        |              |
| 54       | 90179-10004-00  | NUT                                | 2        |              |
| 55       | 6E0-83627-41-00 | LABEL, CAUTION 7                   | 1        |              |

|    |                 |               |   |
|----|-----------------|---------------|---|
| 56 | 6G9-1571Y-40-00 | MARK, CAUTION | 1 |
|----|-----------------|---------------|---|

T8PXHA 2002 / STEERING FRICTION



68R1100-2170

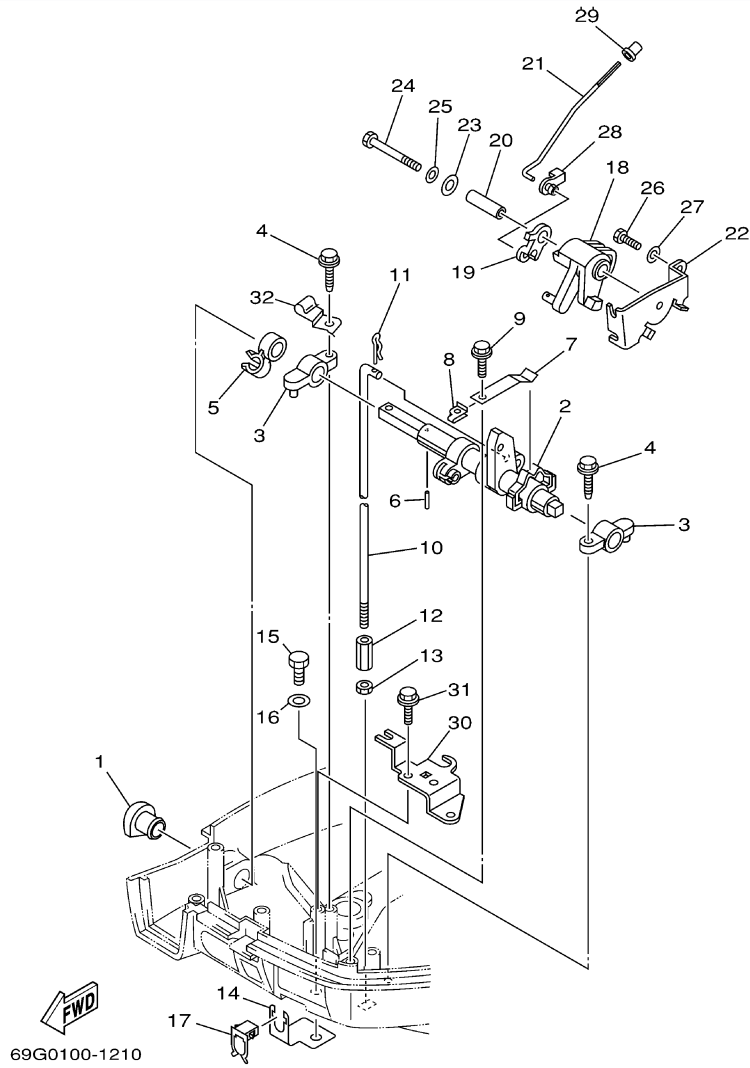
©2014 Yamaha Motor Corporation, U.S.A. All rights reserved.

## Part List

T8PXHA 2002 / STEERING FRICTION

| REF<br>-<br>NO | PART<br>NUMBER  | PART NAME              | QUANTITY | REMARKS              |
|----------------|-----------------|------------------------|----------|----------------------|
| 1              | 69G-42508-00-00 | STEERING FRICTION ASSY | 1        | UR PH (PH/R)         |
| 1              | 68T-42508-00-00 | STEERING FRICTION ASSY | 1        | UR EH(EH)            |
| 2              | 68T-42525-01-00 | .PLATE, FRICTION       | 1        |                      |
| 3              | 97095-05020-00  | .BOLT                  | 2        |                      |
| 4              | 92995-05600-00  | .WASHER                | 2        |                      |
| 5              | 67C-42562-00-00 | .SHAFT, STEERING LOCK  | 1        |                      |
| 6              | 90202-10M56-00  | .WASHER, PLATE         | 2        |                      |
| 7              | 68T-42561-00-00 | .KNOB, STEERING LOCK   | 1        |                      |
| 8              | 689-43633-00-00 | .COVER, TILT LEVER     | 1        |                      |
| 9              | 65W-42528-00-00 | .PLATE, FRICTION       | 2        |                      |
| 10             | 90387-05M05-00  | .COLLAR                | 1        |                      |
| 11             | 90387-05M11-00  | .COLLAR                | 1        |                      |
| 12             | 97095-05020-00  | .BOLT                  | 1        |                      |
| 13             | 92995-05600-00  | .WASHER                | 1        |                      |
| 14             | 90209-10M26-00  | .WASHER                | 1        |                      |
| 15             | 90185-10M14-00  | .NUT, SELF-LOCKING     | 1        |                      |
| 16             | 68T-42527-00-00 | .PLATE, FRICTION       | 1        |                      |
| 17             | 90109-08M91-00  | .BOLT                  | 2        |                      |
| 18             | 68T-43155-00-00 | .MARK 1                | 1        | FOR 68T-42508-00(EH) |

T8PXHA 2002 / CONTROL 1 (FOR EH/PH)



©2014 Yamaha Motor Corporation, U.S.A. All rights reserved.

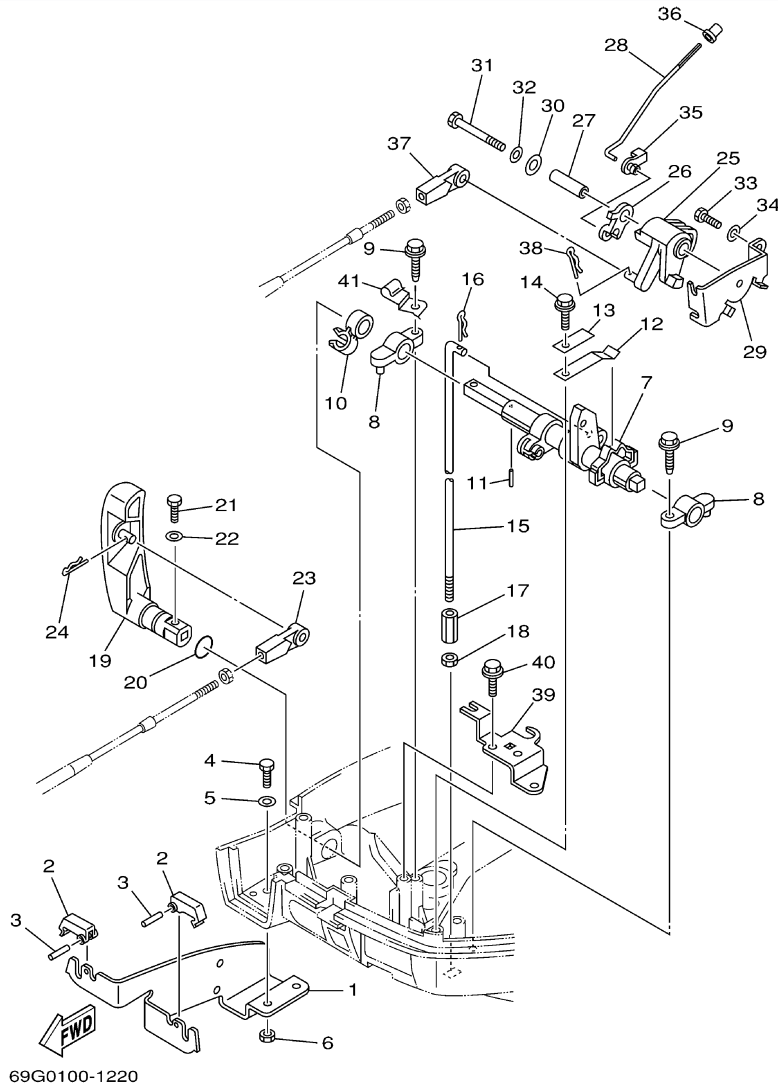


## Part List

T8PXHA 2002 / CONTROL 1 (FOR EH/PH)

| REF<br>-<br>NO | PART<br>NUMBER  | PART NAME           | QUANTITY | REMARKS   |
|----------------|-----------------|---------------------|----------|-----------|
| 1              | 68T-42726-00-00 | GROMMET             | 1        |           |
| 2              | 68T-44121-01-00 | LEVER, SHIFT ROD    | 1        |           |
| 3              | 6G1-41662-01-94 | BRACKET 2           | 2        |           |
| 4              | 90109-06M81-00  | BOLT                | 2        |           |
| 5              | 90464-10M60-00  | CLAMP               | 1        |           |
| 6              | 91690-30014-00  | PIN, SPRING         | 1        |           |
| 7              | 65W-44116-00-00 | SPRING              | 1        |           |
| 8              | 66R-44117-00-00 | BRACKET             | 1        |           |
| 9              | 90109-06M86-00  | BOLT                | 1        |           |
| 10             | 68T-44143-10-00 | ROD, SHIFT          | 1        |           |
| 11             | 90468-18001-00  | CLIP                | 1        |           |
| 12             | 90170-06015-00  | NUT                 | 1        |           |
| 13             | 95380-06700-00  | NUT                 | 1        |           |
| 14             | 68T-48538-00-00 | CLAMP, CABLE 1      | 1        |           |
| 15             | 97095-06012-00  | BOLT                | 1        |           |
| 16             | 92995-06600-00  | WASHER              | 1        |           |
| 17             | 63D-48538-00-00 | CLAMP, CABLE 1      | 1        |           |
| 18             | 68T-41638-00-00 | PULLEY              | 1        |           |
| 19             | 68T-41283-00-00 | LEVER, FREE ACCEL.  | 1        |           |
| 20             | 90387-06M59-00  | COLLAR              | 1        |           |
| 21             | 68T-41211-00-00 | LINK, ACCEL.        | 1        |           |
| 22             | 68T-14497-00-00 | STAY, THROTTLE WIRE | 1        |           |
| 23             | 90201-06M62-00  | WASHER, PLATE       | 1        |           |
| 24             | 97095-06045-00  | .BOLT               | 1        |           |
| 25             | 92995-06600-00  | WASHER              | 1        |           |
| 26             | 97095-06012-00  | BOLT                | 1        |           |
| 27             | 92995-06600-00  | WASHER              | 1        |           |
| 28             | 661-41262-02-00 | JOINT, CHOKE LEVER  | 1        |           |
| 29             | 647-14395-60-00 | CAP, OVERFLOW PIPE  | 1        |           |
| 30             | 68T-15774-10-00 | STAY 4              | 1        |           |
| 31             | 90109-06M86-00  | BOLT                | 2        |           |
| 32             | 90465-08027-00  | CLAMP               | 1        | PH (PH/R) |

T8PXHA 2002 / CONTROL 2 (FOR PR)



©2014 Yamaha Motor Corporation, U.S.A. All rights reserved.



## Part List

T8PXHA 2002 / CONTROL 2 (FOR PR)

| REF<br>-<br>NO | PART<br>NUMBER  | PART NAME                  | QUANTITY | REMARKS |
|----------------|-----------------|----------------------------|----------|---------|
| 1              | 68T-48531-00-00 | .BRACKET, REMOTE CONTROL 1 | 1        | (PH/R)  |
| 2              | 682-48538-50-00 | .CLAMP, CABLE 1            | 2        | (PH/R)  |
| 3              | 91690-30012-00  | .PIN, SPRING               | 2        | (PH/R)  |
| 4              | 97095-06012-00  | BOLT                       | 2        | (PH/R)  |
| 5              | 92995-06600-00  | WASHER                     | 2        | (PH/R)  |
| 6              | 95380-06600-00  | NUT, HEXAGON               | 2        | (PH/R)  |
| 7              | 68T-44121-01-00 | LEVER, SHIFT ROD           | 1        | (PH/R)  |
| 8              | 6G1-41662-01-94 | BRACKET 2                  | 2        | (PH/R)  |
| 9              | 90109-06M81-00  | BOLT                       | 2        | (PH/R)  |
| 10             | 90464-10M60-00  | CLAMP                      | 1        | (PH/R)  |
| 11             | 91690-30014-00  | PIN, SPRING                | 1        | (PH/R)  |
| 12             | 65W-44116-00-00 | SPRING                     | 1        | (PH/R)  |
| 13             | 66R-44114-00-00 | STOPPER                    | 1        | (PH/R)  |
| 14             | 90109-06M86-00  | BOLT                       | 1        | (PH/R)  |
| 15             | 68T-44143-10-00 | ROD, SHIFT                 | 1        | (PH/R)  |
| 16             | 90468-18001-00  | CLIP                       | 1        | (PH/R)  |
| 17             | 90170-06015-00  | NUT                        | 1        | (PH/R)  |
| 18             | 95380-06700-00  | NUT                        | 1        | (PH/R)  |
| 19             | 68T-44111-10-00 | .HANDLE, GEAR SHIFT        | 1        | (PH/R)  |
| 20             | 93210-12327-00  | .O-RING                    | 1        | (PH/R)  |
| 21             | 97095-05016-00  | .BOLT                      | 1        | (PH/R)  |
| 22             | 92995-05600-00  | WASHER                     | 1        | (PH/R)  |
| 23             | 663-48344-00-00 | .CABLE END, REMOTE CONTROL | 1        | (PH/R)  |
| 24             | 90468-18008-00  | CLIP                       | 1        | (PH/R)  |
| 25             | 68T-41638-00-00 | PULLEY                     | 1        | (PH/R)  |
| 26             | 68T-41283-00-00 | LEVER, FREE ACCEL.         | 1        | (PH/R)  |
| 27             | 90387-06M59-00  | COLLAR                     | 1        | (PH/R)  |
| 28             | 68T-41211-00-00 | LINK, ACCEL.               | 1        | (PH/R)  |
| 29             | 68T-14497-00-00 | STAY, THROTTLE WIRE        | 1        | (PH/R)  |
| 30             | 90201-06M62-00  | WASHER, PLATE              | 1        | (PH/R)  |
| 31             | 97095-06045-00  | .BOLT                      | 1        | (PH/R)  |
| 32             | 92995-06600-00  | WASHER                     | 1        | (PH/R)  |
| 33             | 97095-06012-00  | BOLT                       | 1        | (PH/R)  |
| 34             | 92995-06600-00  | WASHER                     | 1        | (PH/R)  |
| 35             | 661-41262-02-00 | JOINT, CHOKE LEVER         | 1        | (PH/R)  |
| 36             | 647-14395-60-00 | CAP, OVERFLOW PIPE         | 1        | (PH/R)  |
| 37             | 663-48344-00-00 | .CABLE END, REMOTE CONTROL | 1        | (PH/R)  |
| 38             | 90468-18008-00  | CLIP                       | 1        | (PH/R)  |
| 39             | 68T-15774-10-00 | STAY 4                     | 1        | (PH/R)  |
| 40             | 90109-06M86-00  | BOLT                       | 2        | (PH/R)  |
| 41             | 90465-08027-00  | CLAMP                      | 1        | (PH/R)  |

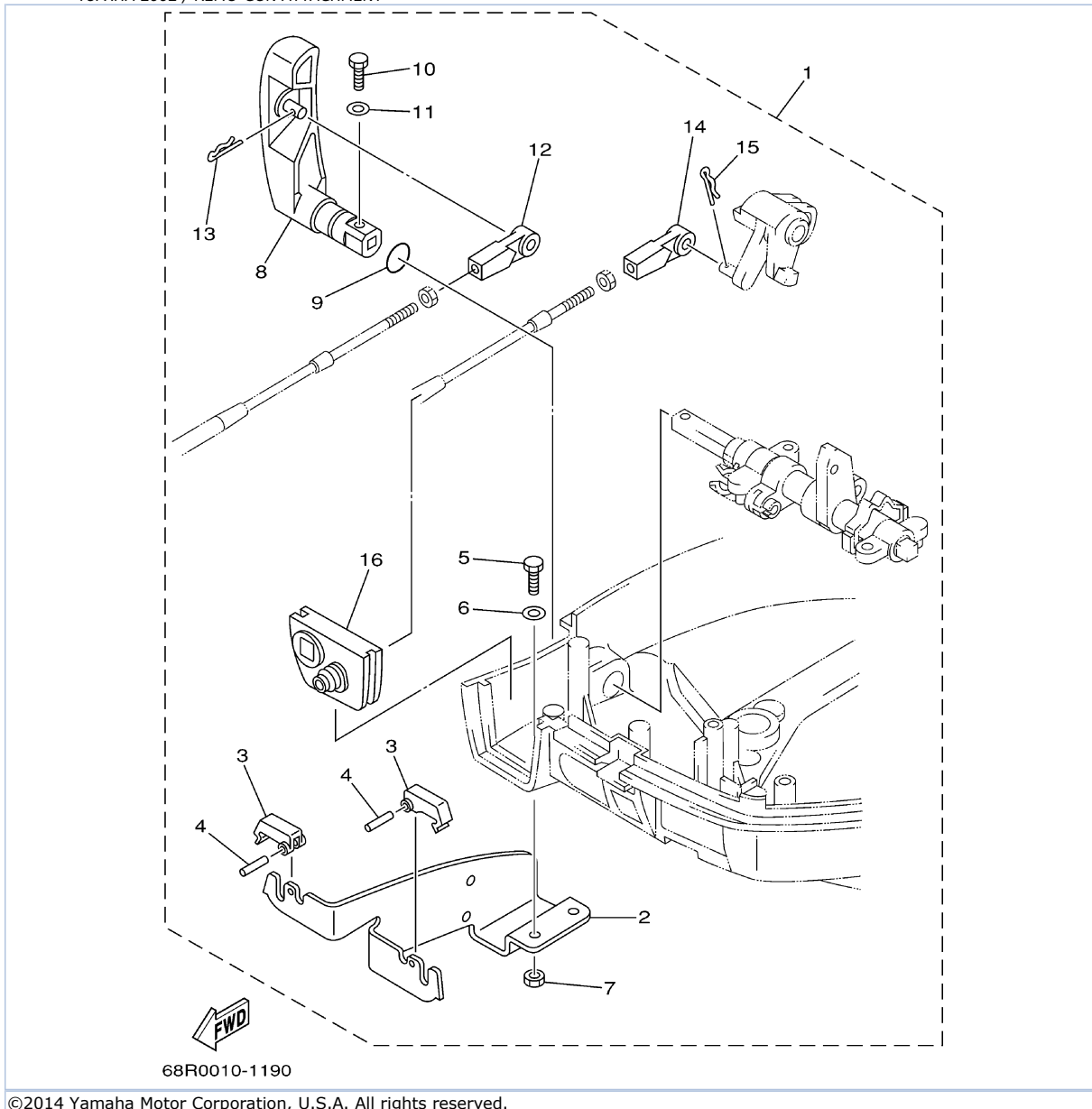
## Part Notes

T8PXHA 2002 / CONTROL 2 (FOR PR)

| PART NUMBER    |   | NOTE TEXT  |
|----------------|---|--|
| 90468-18008-00 |  | OEM: This part number is among the Top 100 Most Popular Marine Maintenance Parts as of March 2014. |
| 90468-18008-00 |  | OEM: This part number is among the Top 100 Most Popular Marine Maintenance Parts as of March 2014. |

©2014 Yamaha Motor Corporation, U.S.A. All rights reserved.

T8PXHA 2002 / REMO-CON ATTACHMENT



©2014 Yamaha Motor Corporation, U.S.A. All rights reserved.



## Part List

T8PXHA 2002 / REMO-CON ATTACHMENT

| REF<br>-<br>NO | PART<br>NUMBER  | PART NAME                        | QUANTITY | REMARKS  |
|----------------|-----------------|----------------------------------|----------|----------|
| 1              | 68R-48501-00-00 | REMOTE CONT.<br>ATTACHMENT ASSY. | 1        | AP EH/PH |
| 2              | 68T-48531-00-00 | .BRACKET, REMOTE<br>CONTROL 1    | 1        |          |
| 3              | 682-48538-50-00 | .CLAMP, CABLE 1                  | 2        |          |
| 4              | 91690-30012-00  | .PIN, SPRING                     | 2        |          |
| 5              | 97095-06012-00  | .BOLT                            | 2        |          |
| 6              | 92995-06600-00  | .WASHER                          | 2        |          |
| 7              | 95380-06600-00  | .NUT, HEXAGON                    | 2        |          |
| 8              | 68T-44111-10-00 | .HANDLE, GEAR SHIFT              | 1        |          |
| 9              | 93210-12327-00  | .O-RING                          | 1        |          |
| 10             | 97095-05016-00  | .BOLT                            | 1        |          |
| 11             | 92995-05600-00  | .WASHER                          | 1        |          |
| 12             | 663-48344-00-00 | .CABLE END, REMOTE<br>CONTROL    | 1        |          |
| 13             | 90468-18008-00  | .CLIP                            | 1        |          |
| 14             | 663-48344-00-00 | .CABLE END, REMOTE<br>CONTROL    | 1        |          |
| 15             | 90468-18008-00  | .CLIP                            | 1        |          |
| 16             | 68T-42725-10-00 | .GROMMET                         | 1        |          |

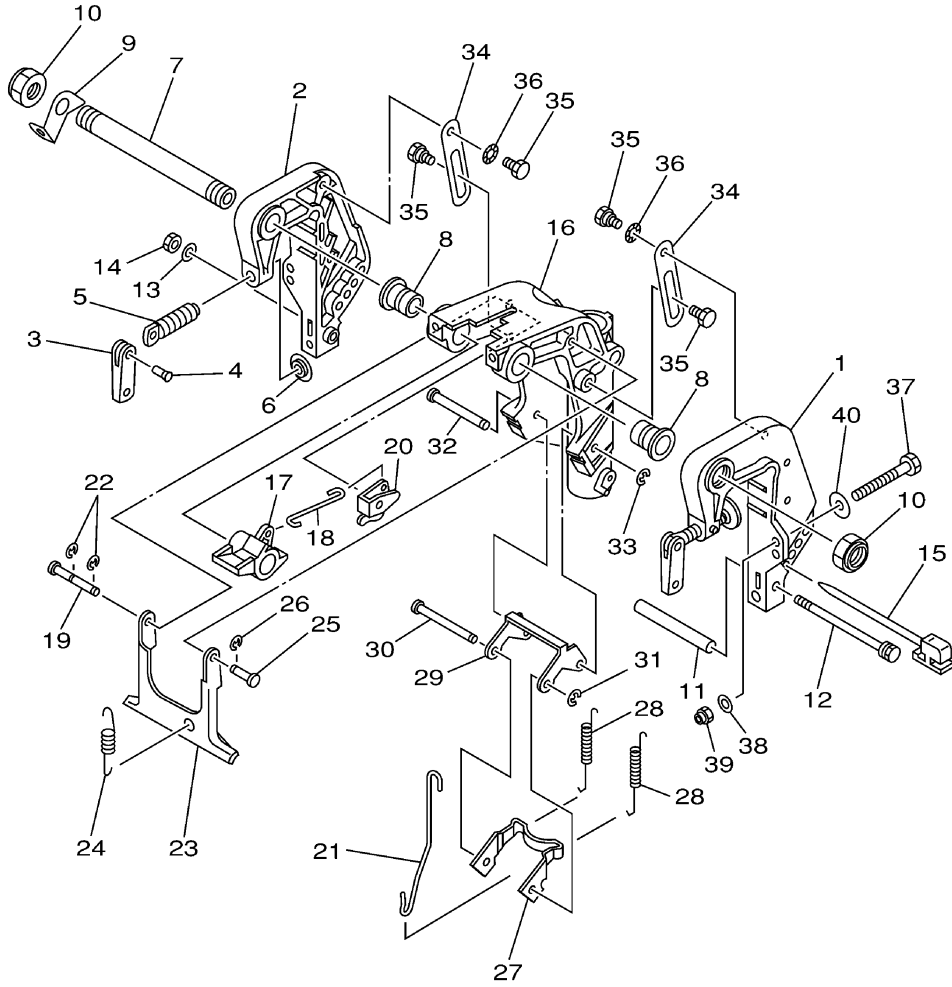
## Part Notes

T8PXHA 2002 / REMO-CON ATTACHMENT

| PART NUMBER  | NOTE TEXT  |
|--|--|
| 90468-18008-00   | OEM: This part number is among the Top 100 Most Popular Marine Maintenance Parts as of March 2014. |
| 90468-18008-00  | OEM: This part number is among the Top 100 Most Popular Marine Maintenance Parts as of March 2014. |

©2014 Yamaha Motor Corporation, U.S.A. All rights reserved.

T8PXHA 2002 / BRACKET 1 (FR EH)



69G0010-1180

©2014 Yamaha Motor Corporation, U.S.A. All rights reserved.


## Part List

T8PXHA 2002 / BRACKET 1 (FR EH)

| REF - NO | PART NUMBER     | PART NAME                       | QUANTITY | REMARKS |
|----------|-----------------|---------------------------------|----------|---------|
| 1        | 68T-43111-01-4D | BRACKET, CLAMP                  | 1        | (EH)    |
| 2        | 68T-43112-01-4D | BRACKET, CLAMP                  | 1        | (EH)    |
| 3        | 6E0-43118-01-00 | HANDLE, TRANSOM CLAMP           | 2        | (EH)    |
| 4        | 90243-04M01-00  | PIN                             | 2        | (EH)    |
| 5        | 677-43116-01-00 | SCREW, TRANSOM CLAMP            | 2        | (EH)    |
| 6        | 648-43114-01-00 | PAD, TRANSOM CLAMP              | 2        | (EH)    |
| 7        | 68T-43131-00-00 | BOLT, CLAMP BRACKET (L:215.5MM) | 1        | (EH)    |
| 8        | 90386-22MA4-00  | BUSH                            | 2        | (EH)    |
| 9        | 66R-43113-00-00 | PLATE, CLAMP BRACKET            | 1        | (EH)    |
| 10       | 90185-22043-00  | NUT, SELF-LOCKING               | 2        | (EH)    |
| 11       | 90387-06M13-00  | COLLAR                          | 1        | (EH)    |
| 12       | 90101-06M18-00  | BOLT                            | 1        | (EH)    |
| 13       | 92990-06600-00  | WASHER, PLATE                   | 1        | (EH)    |
| 14       | 95380-06700-00  | NUT                             | 1        | (EH)    |
| 15       | 6L2-43160-00-00 | TILT ROD ASSY                   | 1        | (EH)    |
| 16       | 68T-43311-10-4D | BRACKET, SWIVEL 1               | 1        | (EH)    |
| 17       | 68T-43631-00-00 | LEVER, TILT                     | 1        | (EH)    |
| 18       | 68T-43616-00-00 | ROD, TILT LOCK                  | 1        | (EH)    |
| 19       | 68T-43646-00-00 | SHAFT, LEVER                    | 1        | (EH)    |
| 20       | 68T-43641-00-00 | LEVER, TILT                     | 1        | (EH)    |
| 21       | 68T-43617-00-00 | ROD, TILT LOCK                  | 1        | (EH)    |
| 22       | 99080-05600-00  | CIRCLIP                         | 2        | (EH)    |
| 23       | 68T-43350-00-00 | RECEIVER ASSY                   | 1        | (EH)    |
| 24       | 90506-20005-00  | SPRING, TENSION                 | 1        | (EH)    |
| 25       | 63V-43191-00-00 | SHAFT, STOPPER                  | 1        | (EH)    |
| 26       | 99080-05600-00  | CIRCLIP                         | 1        | (EH)    |
| 27       | 68T-43614-00-00 | PLATE, TILT LOCK                | 1        | (EH)    |
| 28       | 90506-23003-00  | SPRING, TENSION                 | 2        | (EH)    |
| 29       | 68T-43615-00-00 | PLATE, TILT LOCK                | 1        | (EH)    |
| 30       | 68T-43611-00-00 | SHAFT, TILT LOCK                | 1        | (EH)    |
| 31       | 93430-04M03-00  | CIRCLIP                         | 1        | (EH)    |
| 32       | 68T-43659-00-00 | SHAFT, REVERSE LOCK             | 1        | (EH)    |
| 33       | 99080-05600-00  | CIRCLIP                         | 1        | (EH)    |
| 34       | 68T-43627-00-00 | STOPPER                         | 2        | (EH)    |
| 35       | 90109-06M84-00  | BOLT                            | 4        | (EH)    |
| 36       | 90206-10M24-00  | WASHER, WAVE                    | 2        | (EH)    |
| 37       | 90101-08M88-00  | BOLT                            | 2        | (EH)    |
| 38       | 92995-08600-00  | WASHER                          | 2        | (EH)    |
| 39       | 90185-08057-00  | NUT, SELF-LOCKING               | 2        | (EH)    |
| 40       | 90201-08MA4-00  | WASHER, PLATE                   | 2        | (EH)    |

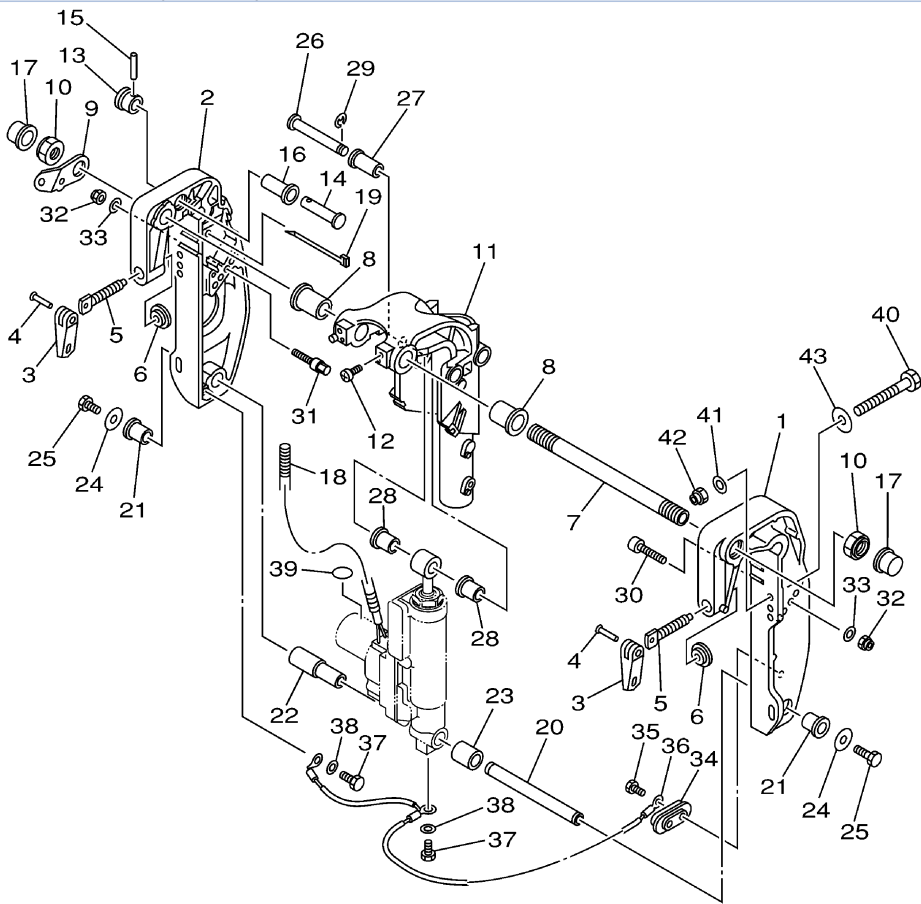
## Part Notes

T8PXHA 2002 / BRACKET 1 (FR EH)

| PART NUMBER  | NOTE TEXT  |
|--|--|
| 92990-06600-00  | OEM: This part number is among the Top 100 Most Popular Marine Maintenance Parts as of March 2014. |

©2014 Yamaha Motor Corporation, U.S.A. All rights reserved.

T8PXHA 2002 / BRACKET 2 (FOR PH/PR)



69G2110-2240

©2014 Yamaha Motor Corporation, U.S.A. All rights reserved.




## Part List

T8PXHA 2002 / BRACKET 2 (FOR PH/PR)

| REF - NO | PART NUMBER     | PART NAME                 | QUANTITY | REMARKS |
|----------|-----------------|---------------------------|----------|---------|
| 1        | 69A-43111-00-4D | BRACKET, CLAMP 1          | 1        | (PH/R)  |
| 2        | 69A-43112-00-4D | BRACKET, CLAMP 2          | 1        | (PH/R)  |
| 3        | 6E0-43118-01-00 | HANDLE, TRANSOM CLAMP     | 2        | (PH/R)  |
| 4        | 90243-04M01-00  | PIN                       | 2        | (PH/R)  |
| 5        | 6E7-43116-00-00 | SCREW, TRANSOM CLAMP      | 2        | (PH/R)  |
| 6        | 648-43114-01-00 | PAD, TRANSOM CLAMP        | 2        | (PH/R)  |
| 7        | 69A-43131-00-00 | BOLT, CLAMP BRACKET       | 1        | (PH/R)  |
| 8        | 90386-22MA4-00  | BUSH                      | 2        | (PH/R)  |
| 9        | 69A-43113-00-00 | PLATE, CLAMP BRACKET      | 1        | (PH/R)  |
| 10       | 90185-22043-00  | NUT, SELF-LOCKING         | 2        | (PH/R)  |
| 11       | 69G-43311-10-4D | BRACKET, SWIVEL 1         | 1        | (PH/R)  |
| 12       | 97885-08010-00  | SCREW, PAN HEAD           | 2        | (PH/R)  |
| 13       | 65W-43192-00-00 | KNOB, STOPPER             | 1        | (PH/R)  |
| 14       | 65W-43191-00-00 | SHAFT, STOPPER            | 1        | (PH/R)  |
| 15       | 91690-30018-00  | PIN, SPRING               | 1        | (PH/R)  |
| 16       | 90386-14MA1-00  | BUSH                      | 1        | (PH/R)  |
| 17       | 6G5-43145-01-00 | CAP, CLAMP BRACKET        | 2        | (PH/R)  |
| 18       | 90447-10001-00  | TUBE                      | 1        | (PH/R)  |
| 19       | 90465-13M97-00  | CLAMP                     | 1        | (PH/R)  |
| 20       | 69G-43818-00-00 | PIN, LOWER SHOCK MOUNT    | 1        | (PH/R)  |
| 21       | 90386-16MA7-00  | BUSH                      | 2        | (PH/R)  |
| 22       | 90386-16MA8-00  | BUSH                      | 1        | (PH/R)  |
| 23       | 90387-16M02-00  | COLLAR                    | 1        | (PH/R)  |
| 24       | 90201-08M00-00  | WASHER, PLATE             | 2        | (PH/R)  |
| 25       | 97080-08016-00  | BOLT                      | 2        | (PH/R)  |
| 26       | 90249-12M36-00  | PIN                       | 1        | (PH/R)  |
| 27       | 90381-12M10-00  | BUSH, SOLID               | 1        | (PH/R)  |
| 28       | 90381-12M11-00  | BUSH, SOLID               | 2        | (PH/R)  |
| 29       | 93430-10M00-00  | CIRCLIP                   | 1        | (PH/R)  |
| 30       | 90110-08M05-00  | BOLT, HEXAGON SOCKET HEAD | 1        | (PH/R)  |
| 31       | 90109-08010-00  | BOLT                      | 1        | (PH/R)  |
| 32       | 90185-08057-00  | NUT, SELF-LOCKING         | 2        | (PH/R)  |
| 33       | 92990-08600-00  | ..WASHER, PLATE           | 2        | (PH/R)  |
| 34       | 65W-45251-00-00 | ANODE                     | 1        | (PH/R)  |
| 35       | 90101-06020-00  | BOLT                      | 2        | (PH/R)  |
| 36       | 63V-82127-00-00 | WIRE, LEAD 2              | 1        | (PH/R)  |
| 37       | 97095-06010-00  | BOLT                      | 2        | (PH/R)  |
| 38       | 92995-06600-00  | WASHER                    | 2        | (PH/R)  |
| 39       | 69A-43155-00-00 | MARK 1                    | 1        | (PH/R)  |
| 40       | 90101-08M88-00  | BOLT                      | 2        | (PH/R)  |
| 41       | 92995-08600-00  | WASHER                    | 2        | (PH/R)  |
| 42       | 90185-08057-00  | NUT, SELF-LOCKING         | 2        | (PH/R)  |
| 43       | 90201-08MA4-00  | WASHER, PLATE             | 2        | (PH/R)  |

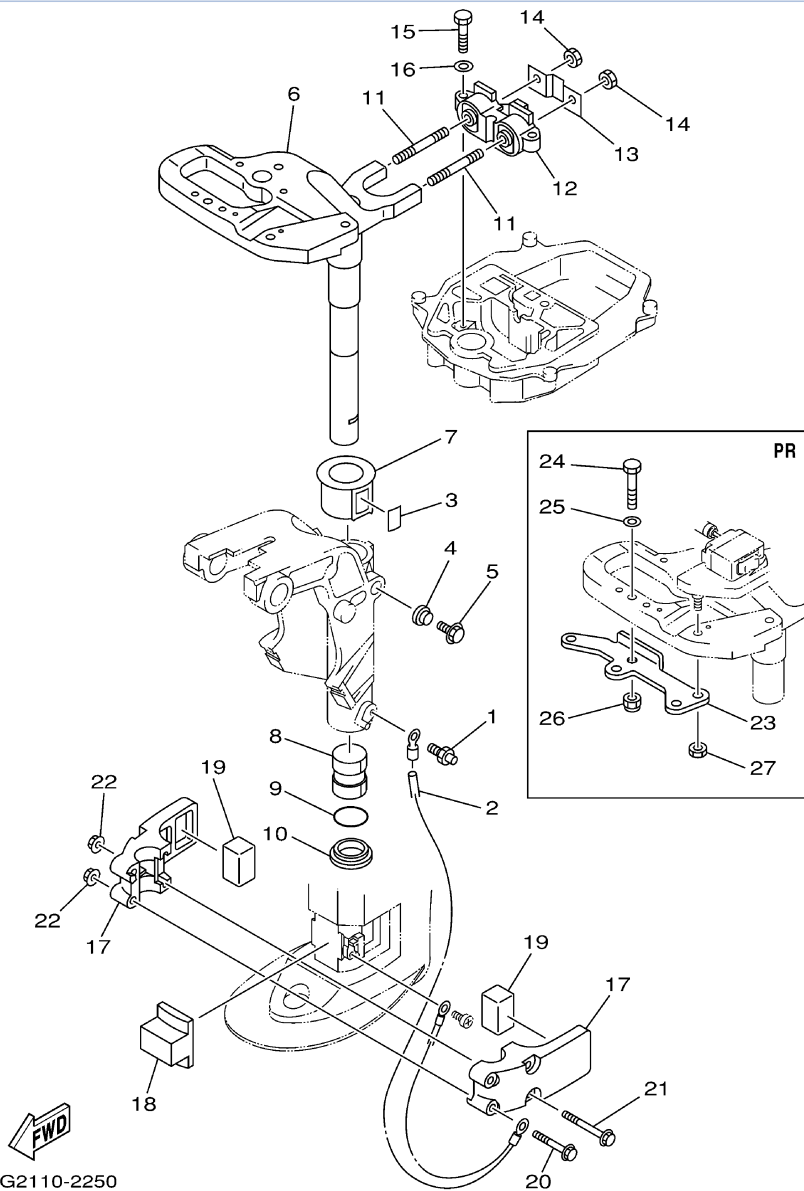
## Part Notes

T8PXHA 2002 / BRACKET 2 (FOR PH/PR)

| PART NUMBER   | NOTE TEXT  |
|---|--|
| 65W-45251-00-00  | OEM: This part number is among the Top 100 Most Popular Marine Maintenance Parts as of March 2014. |

©2014 Yamaha Motor Corporation, U.S.A. All rights reserved.

T8PXHA 2002 / BRACKET 3



69G2110-2250

©2014 Yamaha Motor Corporation, U.S.A. All rights reserved.

## Part List

T8PXHA 2002 / BRACKET 3

| REF<br>-<br>NO | PART<br>NUMBER  | PART NAME                        | QUANTITY | REMARKS   |
|----------------|-----------------|----------------------------------|----------|-----------|
| 1              | 93700-06M03-00  | NIPPLE, GREASE                   | 1        |           |
| 2              | 68T-82127-00-00 | WIRE, LEAD 2                     | 1        |           |
| 3              | 63V-42528-00-00 | PLATE, FRICTION                  | 1        |           |
| 4              | 689-43373-01-00 | SEAL, DAMPER                     | 1        |           |
| 5              | 90105-06M07-00  | .BOLT, FLANGE                    | 1        |           |
| 6              | 68T-42511-11-4D | BRACKET, STEERING                | 1        |           |
| 7              | 63V-42537-00-00 | BUSHING, PIVOT SHAFT             | 1        |           |
| 8              | 90386-30048-00  | BUSH                             | 1        |           |
| 9              | 93210-29M94-00  | O-RING                           | 1        |           |
| 10             | 90386-30M60-00  | BUSH                             | 1        |           |
| 11             | 90116-08M54-00  | BOLT, STUD                       | 2        |           |
| 12             | 68T-44517-10-94 | MOUNT RUBBER                     | 1        |           |
| 13             | 68T-44526-00-00 | PLATE                            | 1        |           |
| 14             | 95380-08600-00  | NUT                              | 2        |           |
| 15             | 97075-06025-00  | BOLT                             | 2        |           |
| 16             | 92995-06600-00  | WASHER                           | 2        |           |
| 17             | 68T-44551-00-4D | HOUSING, LOWER MOUNT<br>RUBBER 1 | 2        |           |
| 18             | 68T-44557-00-00 | MOUNT DAMPER, LOWER<br>FRONT     | 1        |           |
| 19             | 682-44555-00-00 | MOUNT DAMPER, LOWER<br>SIDE      | 2        |           |
| 20             | 90119-06012-00  | BOLT, WITH WASHER                | 2        |           |
| 21             | 90119-06013-00  | BOLT, WITH WASHER                | 2        |           |
| 22             | 90179-06M28-00  | NUT                              | 4        |           |
| 23             | 69G-48511-00-00 | HOOK, STEERING                   | 1        | PR (PH/R) |
| 24             | 97075-08035-00  | BOLT                             | 1        | PR (PH/R) |
| 25             | 92995-08600-00  | WASHER                           | 1        | PR (PH/R) |
| 26             | 90185-08057-00  | NUT, SELF-LOCKING                | 1        | PR (PH/R) |
| 27             | 90185-06M07-00  | NUT, SELF-LOCKING                | 1        | PR (PH/R) |



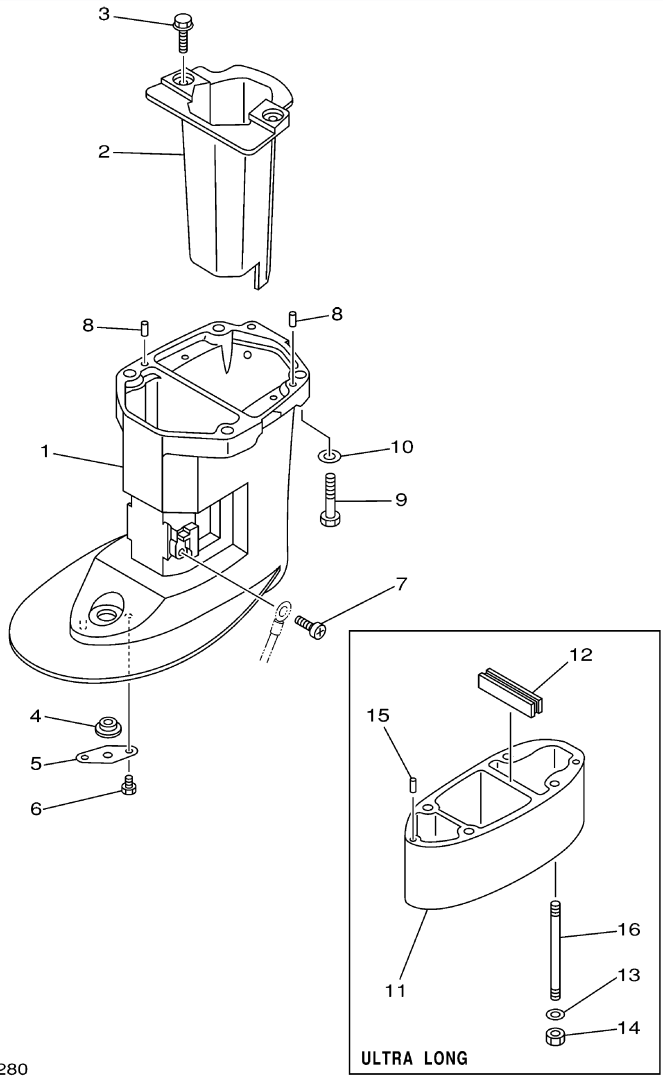
## Part List

T8PXHA 2002 / POWER TILT ASSY

| REF<br>-<br>NO | PART<br>NUMBER  | PART NAME                | QUANTITY | REMARKS      |
|----------------|-----------------|--------------------------|----------|--------------|
| 1              | 69G-43840-00-4D | POWER TILT ASSY          | 1        | PH/PR (PH/R) |
| 2              | 69A-4380K-00-00 | .CYLINDER, TILT SUB ASSY | 1        | (PH/R)       |
| 3              | 69A-22471-00-00 | .CASE, CYLINDER          | 1        | (PH/R)       |
| 4              | 93210-27666-00  | .O-RING                  | 1        | (PH/R)       |
| 5              | 6H1-4388E-11-00 | .PLUG, TAPER SCREW       | 1        | (PH/R)       |
| 6              | 93210-07003-00  | .O-RING                  | 1        | (PH/R)       |
| 7              | 69A-43814-00-00 | .PISTON, FREE            | 1        | (PH/R)       |
| 8              | 93210-21276-00  | .O-RING                  | 1        | (PH/R)       |
| 9              | 69A-43872-00-00 | .RING, BACK UP           | 1        | (PH/R)       |
| 10             | 69A-43810-00-00 | .TILT PISTON SUB ASSY    | 1        | (PH/R)       |
| 11             | 69A-4380D-00-00 | ..PISTON COMP            | 1        | (PH/R)       |
| 12             | 93210-21276-00  | ..O-RING                 | 1        | (PH/R)       |
| 13             | 69A-43872-00-00 | ..RING, BACK UP          | 1        | (PH/R)       |
| 14             | 93505-32038-00  | ..BALL                   | 1        | (PH/R)       |
| 15             | 65W-4386A-00-00 | ..PIN, ABSORBER VALVE    | 1        | (PH/R)       |
| 16             | 93604-06136-00  | ..PIN, DOWEL             | 1        | (PH/R)       |
| 17             | 69A-43857-00-00 | ..SPRING, ABSORBER VALVE | 1        | (PH/R)       |
| 18             | 69A-43801-00-00 | ..ROD                    | 1        | (PH/R)       |
| 19             | 69A-43811-00-00 | ..SCREW, CYLINDER END    | 1        | (PH/R)       |
| 20             | 6H1-43866-00-00 | ..O-RING                 | 1        | (PH/R)       |
| 21             | 69A-43871-00-00 | ..RING, BACK UP          | 1        | (PH/R)       |
| 22             | 69A-43812-00-00 | ..SEAL, DUST             | 1        | (PH/R)       |
| 23             | 69A-43869-00-00 | ..O-RING                 | 1        | (PH/R)       |
| 24             | 69A-43830-00-00 | .GEAR PUMP ASSY          | 1        | (PH/R)       |
| 25             | 69A-4380C-00-00 | ..GEAR HOUSING ASSY      | 1        | (PH/R)       |
| 26             | 69A-43841-00-00 | .PISTON, SHUTTLE         | 1        | (PH/R)       |
| 27             | 69A-4384M-00-00 | .PISTON, SHUTTLE 2       | 1        | (PH/R)       |
| 28             | 62Y-43894-00-00 | .SPRING, SHUTTLE RETURN  | 2        | (PH/R)       |
| 29             | 69A-4384F-00-00 | .SEAL, MAIN VALVE        | 2        | (PH/R)       |
| 30             | 6H1-43883-00-00 | .O-RING                  | 1        | (PH/R)       |
| 31             | 99001-03600-00  | .CIRCLIP                 | 2        | (PH/R)       |
| 32             | 69A-4382G-00-00 | .VALVE SEAT              | 2        | (PH/R)       |
| 33             | 93210-12N52-00  | .O-RING                  | 2        | (PH/R)       |
| 34             | 6T4-43808-00-00 | .SEAT VALVE COMP 1       | 2        | (PH/R)       |
| 35             | 6T4-43853-00-00 | .SPRING, MAIN VALVE      | 2        | (PH/R)       |
| 36             | 6H1-43816-00-00 | .FILTER 1                | 2        | (PH/R)       |
| 37             | 6H1-4384G-11-00 | .SEAL, RELIEF VALVE      | 2        | (PH/R)       |
| 38             | 6H1-43844-10-00 | .PIN, VALVE SUPPORT      | 2        | (PH/R)       |
| 39             | 69A-43855-00-00 | .SPRING, UP RELIEF       | 1        | (PH/R)       |
| 40             | 6H1-43856-10-00 | .SPRING, DOWN RELIEF     | 1        | (PH/R)       |
| 41             | 93501-08001-00  | .BALL                    | 2        | (PH/R)       |
| 42             | 69A-4386A-00-00 | .PIN, ABSORBER VALVE     | 2        | (PH/R)       |
| 43             | 69A-43824-00-00 | .SPRING, DOWN RELIEF 2   | 2        | (PH/R)       |
| 44             | 69A-43848-00-00 | .ROD, MANUAL RELEASE     | 1        | (PH/R)       |
| 45             | 93602-15250-00  | .PIN, DOWEL              | 1        | (PH/R)       |
| 46             | 93210-06001-00  | .O-RING                  | 1        | (PH/R)       |
| 47             | 69A-43854-00-00 | .SPRING, MANUAL RELEASE  | 1        | (PH/R)       |
| 48             | 69A-4381G-00-00 | .PIN 1                   | 2        | (PH/R)       |
| 49             | 93501-08001-00  | .BALL                    | 2        | (PH/R)       |
| 50             | 6H1-43883-00-00 | .O-RING                  | 2        | (PH/R)       |
| 51             | 69A-4384H-00-00 | .SPRING                  | 2        | (PH/R)       |
| 52             | 93606-14081-00  | .PIN, DOWEL              | 2        | (PH/R)       |
| 53             | 91317-05025-00  | .BOLT                    | 6        | (PH/R)       |
| 54             | 69A-43816-00-00 | .FILTER 1                | 1        | (PH/R)       |
| 55             | N35-43862-10-00 | .O-RING                  | 1        | (PH/R)       |
| 56             | 69A-23129-00-00 | .GASKET, DRAIN PLUG      | 1        | (PH/R)       |
| 57             | 69A-43878-00-00 | .BOLT, SOCKET            | 4        | (PH/R)       |
| 58             | 69G-43880-00-00 | .MOTOR ASSY              | 1        | (PH/R)       |
| 59             | 65W-43804-00-00 | ..STATOR ASSY            | 1        | (PH/R)       |
| 60             | 65W-43805-00-00 | ..ARMATURE ASSY          | 1        | (PH/R)       |

|    |                 |                       |   |        |
|----|-----------------|-----------------------|---|--------|
| 61 | 65W-43869-00-00 | ..O-RING              | 1 | (PH/R) |
| 62 | 65W-4386K-00-00 | ..SPRING, BRUSH       | 2 | (PH/R) |
| 63 | 65W-43882-00-00 | ..OIL SEAL            | 1 | (PH/R) |
| 64 | 69G-43881-00-00 | ..FRAME, END          | 1 | (PH/R) |
| 65 | 65W-43887-00-00 | ..BOLT                | 2 | (PH/R) |
| 66 | 65W-43892-00-00 | ..BRUSH 2             | 1 | (PH/R) |
| 67 | 65W-43891-00-00 | ..BRUSH 1             | 1 | (PH/R) |
| 68 | 65W-4380F-00-00 | ..PLATE, BRUSH HOLDER | 1 | (PH/R) |
| 69 | 65W-43879-00-00 | ..SCREW, WITH WASHER  | 2 | (PH/R) |
| 70 | 65W-4388E-00-00 | ..BOLT                | 1 | (PH/R) |

T8PXHA 2002 / UPPER CASING



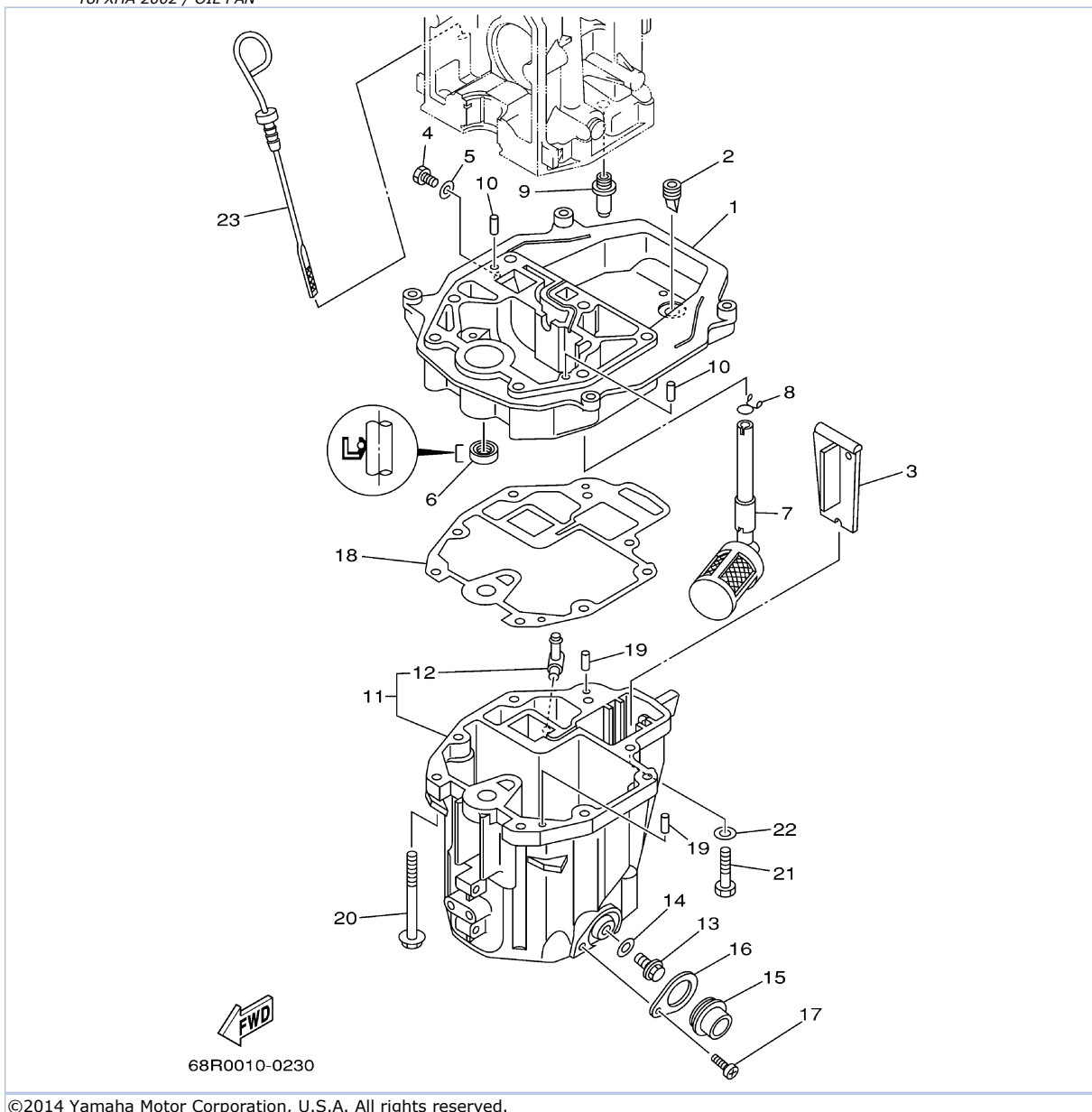
## Part List

T8PXHA 2002 / UPPER CASING

| REF<br>-<br>NO | PART<br>NUMBER  | PART NAME         | QUANTITY | REMARKS |
|----------------|-----------------|-------------------|----------|---------|
| 1              | 68T-45111-10-4D | CASING, UPPER     | 1        |         |
| 2              | 68T-14711-00-5B | MUFFLER 1         | 1        |         |
| 3              | 97575-06514-00  | BOLT, WITH WASHER | 2        |         |
| 4              | 90480-14M54-00  | GROMMET           | 1        |         |
| 5              | 68T-45321-00-00 | PLATE             | 1        |         |
| 6              | 97095-06008-00  | BOLT              | 1        |         |
| 7              | 97885-05008-00  | SCREW, PAN HEAD   | 1        |         |
| 8              | 93604-12M07-00  | PIN, DOWEL        | 2        |         |
| 9              | 97075-08035-00  | BOLT              | 4        |         |
| 10             | 92995-08600-00  | WASHER            | 4        |         |
| 11             | 69G-45211-20-4D | EXTENSION         | 1        | X       |
| 12             | 63V-45127-00-00 | SEAL              | 1        | X       |
| 13             | 92990-08600-00  | ..WASHER, PLATE   | 4        | X       |
| 14             | 95380-08600-00  | NUT               | 4        | X       |
| 15             | 93604-12M07-00  | PIN, DOWEL        | 2        | X       |
| 16             | 90116-08M62-00  | BOLT, STUD        | 4        | X       |



T8PXHA 2002 / OIL PAN



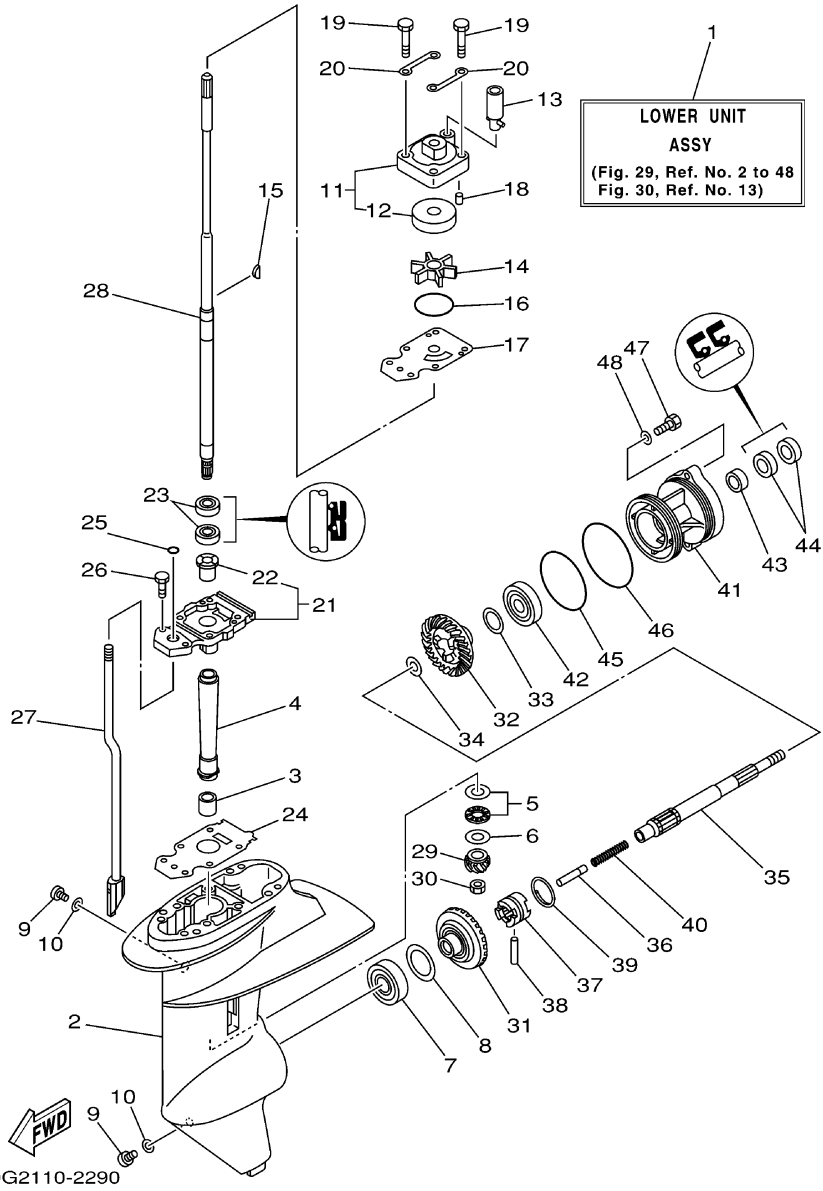
©2014 Yamaha Motor Corporation, U.S.A. All rights reserved.

## Part List

T8PXHA 2002 / OIL PAN

| REF<br>-<br>NO | PART<br>NUMBER  | PART NAME            | QUANTITY | REMARKS |
|----------------|-----------------|----------------------|----------|---------|
| 1              | 68T-41137-00-94 | GUIDE, EXHAUST       | 1        |         |
| 2              | 65W-42717-00-00 | RUBBER, SEAL 2       | 1        |         |
| 3              | 68T-45181-00-00 | PLATE                | 1        |         |
| 4              | 97095-08014-00  | BOLT                 | 1        |         |
| 5              | 90430-08143-00  | GASKET               | 1        |         |
| 6              | 93101-12M70-00  | .OIL SEAL            | 1        |         |
| 7              | 68T-13421-01-00 | STRAINER 2           | 1        |         |
| 8              | 90467-11M08-00  | CLIP                 | 1        |         |
| 9              | 6G8-11575-00-00 | RELIEF VALVE ASSY    | 1        |         |
| 10             | 93606-12019-00  | .PIN, DOWEL          | 2        |         |
| 11             | 68T-15311-00-5B | OIL PAN              | 1        |         |
| 12             | 6H1-11372-00-00 | .NIPPLE, HOSE        | 1        |         |
| 13             | 90340-10M10-00  | PLUG, STRAIGHT SCREW | 1        |         |
| 14             | 90430-10M11-00  | .GASKET              | 1        |         |
| 15             | 68T-15316-00-00 | DAMPER 1             | 1        |         |
| 16             | 68T-15317-00-00 | SPACER, ENGINE MOUNT | 1        |         |
| 17             | 97885-05008-00  | SCREW, PAN HEAD      | 1        |         |
| 18             | 68T-13475-00-00 | .GASKET              | 1        |         |
| 19             | 93604-12M07-00  | PIN, DOWEL           | 2        |         |
| 20             | 90119-08005-00  | BOLT, WITH WASHER    | 6        |         |
| 21             | 97075-08030-00  | BOLT                 | 2        |         |
| 22             | 92995-08600-00  | WASHER               | 2        |         |
| 23             | 68T-15362-00-00 | PLUG, OIL LEVEL      | 1        |         |

T8PXHA 2002 / LOWER CASING DRIVE 1



©2014 Yamaha Motor Corporation, U.S.A. All rights reserved.


## Part List

T8PXHA 2002 / LOWER CASING DRIVE 1

| REF - NO | PART NUMBER     | PART NAME                | QUANTITY | REMARKS |
|----------|-----------------|--------------------------|----------|---------|
| 1        | 69G-45300-20-4D | LOWER UNIT ASSY          | 1        | UR X    |
| 1        | 69G-45300-10-4D | LOWER UNIT ASSY          | 1        | UR L    |
| 2        | 66R-45311-01-4D | CASING, LOWER            | 1        |         |
| 3        | 93315-314V8-00  | BEARING                  | 1        |         |
| 4        | 66R-45536-00-00 | SLEEVE, DRIVE SHAFT      | 1        |         |
| 5        | 93341-414V1-00  | BEARING                  | 1        |         |
| 6        | 6E8-45587-00-20 | SHIM (T:1.20MM)          | 1        | UR      |
| 6        | 6E8-45587-00-13 | SHIM (T:1.13MM)          | 1        | UR      |
| 7        | 93332-00005-00  | BEARING                  | 1        |         |
| 8        | 626-45577-00-01 | SHIM (T:0.10MM)          | 1        | UR      |
| 8        | 626-45577-00-05 | SHIM (T:0.50MM)          | 1        | UR      |
| 8        | 626-45577-00-03 | SHIM (T:0.30MM)          | 1        | UR      |
| 9        | 90340-08M04-00  | PLUG, STRAIGHT SCREW     | 2        |         |
| 10       | 90430-08020-00  | .GASKET                  | 2        |         |
| 11       | 63V-44301-00-00 | WATER PUMP HOUSING COMP. | 1        |         |
| 12       | 63V-44322-00-00 | .INSERT, CARTRIDGE       | 1        |         |
| 13       | 68T-44366-00-00 | .DAMPER, WATER SEAL 2    | 1        |         |
| 14       | 63V-44352-01-00 | .IMPELLER                | 1        |         |
| 15       | 664-44338-00-00 | .KEY, WOODRUFF           | 1        |         |
| 16       | 93210-44398-00  | .O-RING                  | 1        |         |
| 17       | 68T-44323-00-00 | .OUTER PLATE, CARTRIDGE  | 1        |         |
| 18       | 93604-12M07-00  | PIN, DOWEL               | 2        |         |
| 19       | 97080-08045-00  | BOLT                     | 4        |         |
| 20       | 63V-44328-00-00 | PLATE                    | 2        |         |
| 21       | 69G-45331-00-5B | HOUSING, BEARING         | 1        |         |
| 22       | 90381-14020-00  | .BUSH, SOLID             | 1        |         |
| 23       | 93101-20048-00  | .OIL SEAL                | 2        |         |
| 24       | 69G-45315-A0-00 | .PACKING, LOWER CASING   | 1        |         |
| 25       | 93210-06ME6-00  | .O-RING                  | 1        |         |
| 26       | 97080-08025-00  | BOLT                     | 2        |         |
| 27       | 69G-44150-20-00 | SHIFT CAM ASSY           | 1        | UR X    |
| 27       | 69G-44150-10-00 | SHIFT CAM ASSY           | 1        | UR L    |
| 28       | 69G-45510-20-00 | DRIVE SHAFT ASSY         | 1        | UR X    |
| 28       | 69G-45510-10-00 | DRIVE SHAFT ASSY         | 1        | UR L    |
| 29       | 66R-45551-00-00 | PINION (13T)             | 1        |         |
| 30       | 90179-08M06-00  | NUT                      | 1        |         |
| 31       | 66R-45560-00-00 | GEAR                     | 1        |         |
| 32       | 66R-45571-00-00 | GEAR 2 (38T)             | 1        |         |
| 33       | 626-45577-00-01 | SHIM (T:0.10MM)          | 1        | UR      |
| 33       | 626-45577-00-05 | SHIM (T:0.50MM)          | 1        | UR      |
| 33       | 626-45577-00-03 | SHIM (T:0.30MM)          | 1        | UR      |
| 34       | 90201-17682-00  | WASHER, PLATE            | 1        |         |
| 35       | 683-45611-00-00 | SHAFT, PROPELLER         | 1        |         |
| 36       | 650-45635-00-00 | PLUNGER, SHIFT           | 1        |         |
| 37       | 69G-45631-00-00 | CLUTCH, DOG              | 1        |         |
| 38       | 90250-05010-00  | PIN, STRAIGHT            | 1        |         |
| 39       | 648-45633-00-00 | RING, CROSS PIN          | 1        |         |
| 40       | 90501-14M09-00  | SPRING, COMPRESSION      | 1        |         |
| 41       | 66R-45361-00-4D | CAP, LOWER CASING        | 1        |         |
| 42       | 93306-00501-00  | BEARING                  | 1        |         |
| 43       | 93315-317U2-00  | BEARING                  | 1        |         |
| 44       | 93101-17054-00  | .OIL SEAL                | 2        |         |
| 45       | 93210-74M68-00  | .O-RING                  | 1        |         |
| 46       | 93210-74316-00  | .O-RING                  | 1        |         |
| 47       | 97095-06025-00  | BOLT                     | 2        |         |
| 48       | 92995-06600-00  | WASHER                   | 2        |         |

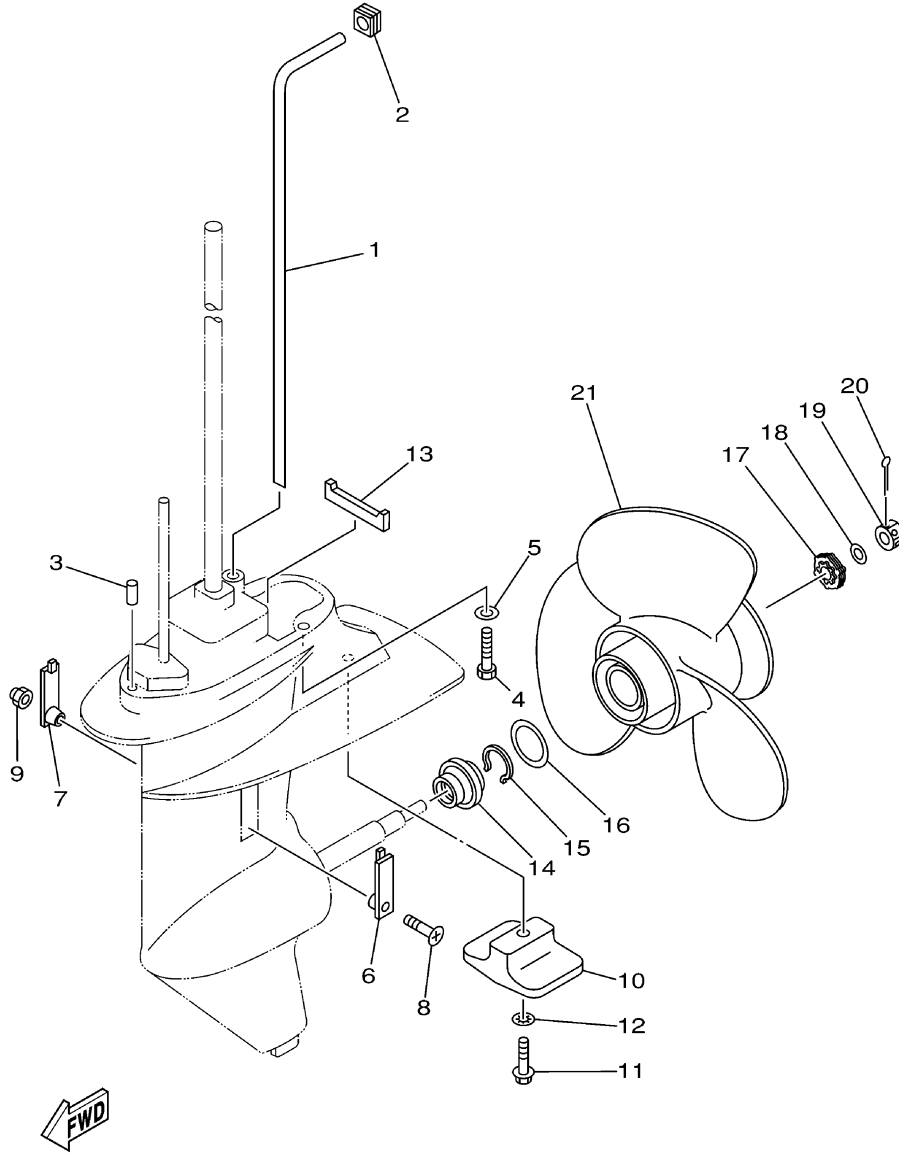
## Part Notes

T8PXHA 2002 / LOWER CASING DRIVE 1

| PART NUMBER    |   | NOTE TEXT  |
|----------------|---|--|
| 90430-08020-00 |  | OEM: This part number is among the Top 100 Most Popular Marine Maintenance Parts as of March 2014. |

©2014 Yamaha Motor Corporation, U.S.A. All rights reserved.

T8PXHA 2002 / LOWER CASING DRIVE 2



69G0100-1310

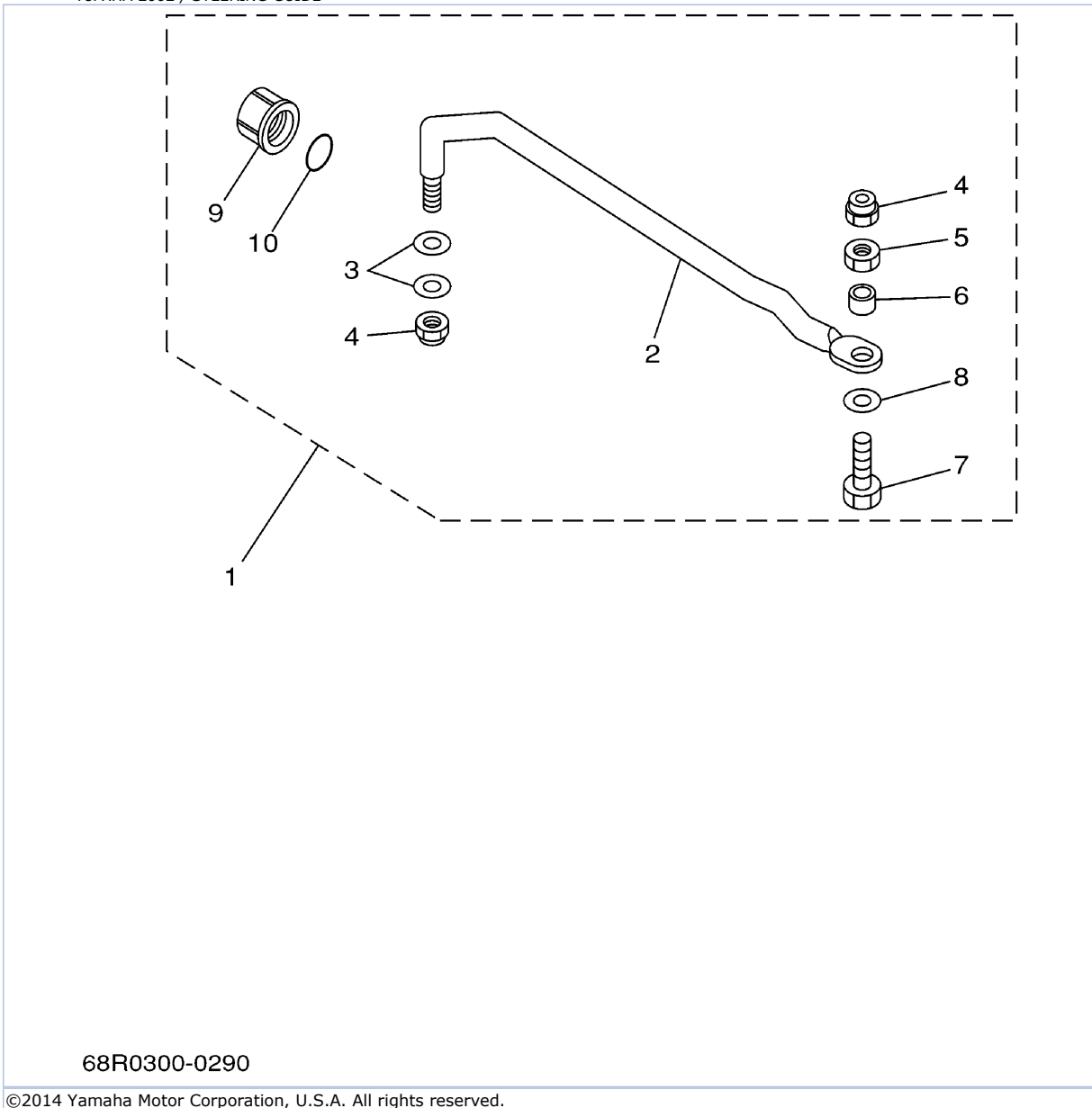
©2014 Yamaha Motor Corporation, U.S.A. All rights reserved.

## Part List

T8PXHA 2002 / LOWER CASING DRIVE 2

| REF<br>-<br>NO | PART<br>NUMBER  | PART NAME                      | QUANTITY | REMARKS |
|----------------|-----------------|--------------------------------|----------|---------|
| 1              | 69G-44361-20-00 | TUBE, WATER 1                  | 1        | UR X    |
| 1              | 68T-44361-10-00 | TUBE, WATER 1                  | 1        | UR L    |
| 2              | 63V-44365-10-00 | DAMPER, WATER SEAL 1           | 1        |         |
| 3              | 93604-12M07-00  | PIN, DOWEL                     | 2        |         |
| 4              | 97075-08035-00  | BOLT                           | 4        | L       |
| 5              | 92995-08600-00  | WASHER                         | 4        | L       |
| 6              | 6G1-45214-00-00 | COVER, WATER INLET 1           | 1        |         |
| 7              | 63V-45215-00-00 | COVER, WATER INLET 2           | 1        |         |
| 8              | 90152-05M04-00  | SCREW, COUNTERSUNK             | 1        |         |
| 9              | 90185-05002-00  | NUT, NYLON                     | 1        |         |
| 10             | 61N-45251-00-00 | ANODE                          | 1        |         |
| 11             | 95895-06030-00  | BOLT, FLANGE                   | 1        |         |
| 12             | 92990-06300-00  | WASHER, INTERNAL TOOTH         | 1        |         |
| 13             | 63V-45375-00-00 | DAMPER, SEAL                   | 1        |         |
| 14             | 6G8-45987-02-00 | SPACER 1                       | 1        |         |
| 15             | 93450-10M04-00  | CIRCLIP                        | 1        |         |
| 16             | 90201-31MA3-00  | WASHER, PLATE                  | 1        |         |
| 17             | 6G8-45997-00-00 | SPACER 2                       | 1        |         |
| 18             | 90201-10M02-00  | WASHER, PLATE                  | 1        |         |
| 19             | 90171-10M07-00  | NUT, CASTLE                    | 1        |         |
| 20             | 91490-30025-00  | PIN. COTTER                    | 1        |         |
| 21             | 69G-45941-00-EL | PROPELLER (3X11-3/4"X5-3/4"-R) | 1        |         |

T8PXHA 2002 / STEERING GUIDE



68R0300-0290

©2014 Yamaha Motor Corporation, U.S.A. All rights reserved.

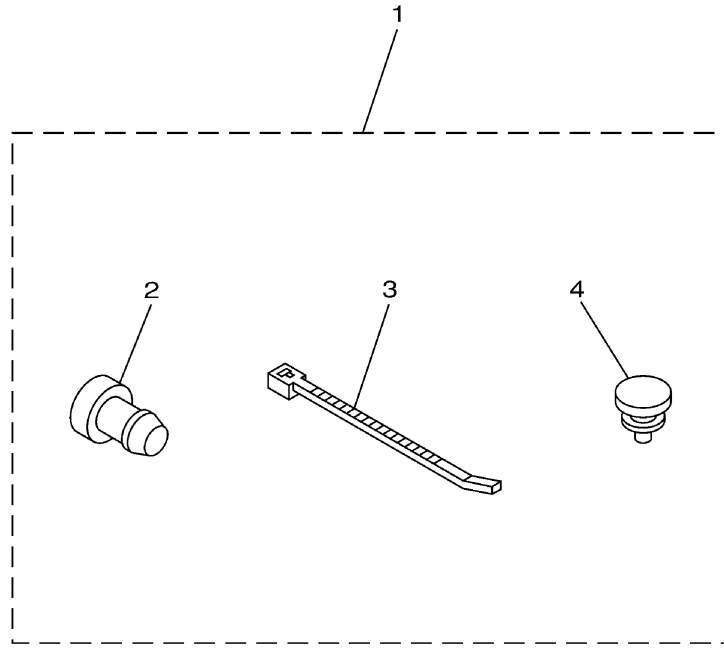


## Part List

T8PXHA 2002 / STEERING GUIDE

| REF<br>-<br>NO | PART<br>NUMBER  | PART NAME                    | QUANTITY | REMARKS      |
|----------------|-----------------|------------------------------|----------|--------------|
| 1              | 68T-61350-00-00 | STEERING GUIDE ATTACH<br>KIT | 1        | AP PR (PH/R) |
| 2              | 68T-61351-00-00 | .ROD, STEERING LINK          | 1        | (PH/R)       |
| 3              | 90201-10M20-00  | .WASHER, PLATE               | 2        | (PH/R)       |
| 4              | 90185-09M01-00  | .NUT, SELF-LOCKING           | 2        | (PH/R)       |
| 5              | 90170-09M03-00  | .NUT                         | 1        | (PH/R)       |
| 6              | 90387-10M42-00  | .COLLAR                      | 1        | (PH/R)       |
| 7              | 6E5-61355-00-00 | .BOLT                        | 1        | (PH/R)       |
| 8              | 90201-10M63-00  | .WASHER, PLATE               | 1        | (PH/R)       |
| 9              | 6E5-43145-01-00 | .CAP, CLAMP BRACKET          | 1        | (PH/R)       |
| 10             | 93210-16275-00  | .O-RING                      | 1        | (PH/R)       |

T8PXHA 2002 / OPTIONAL PARTS



68R1100-2290

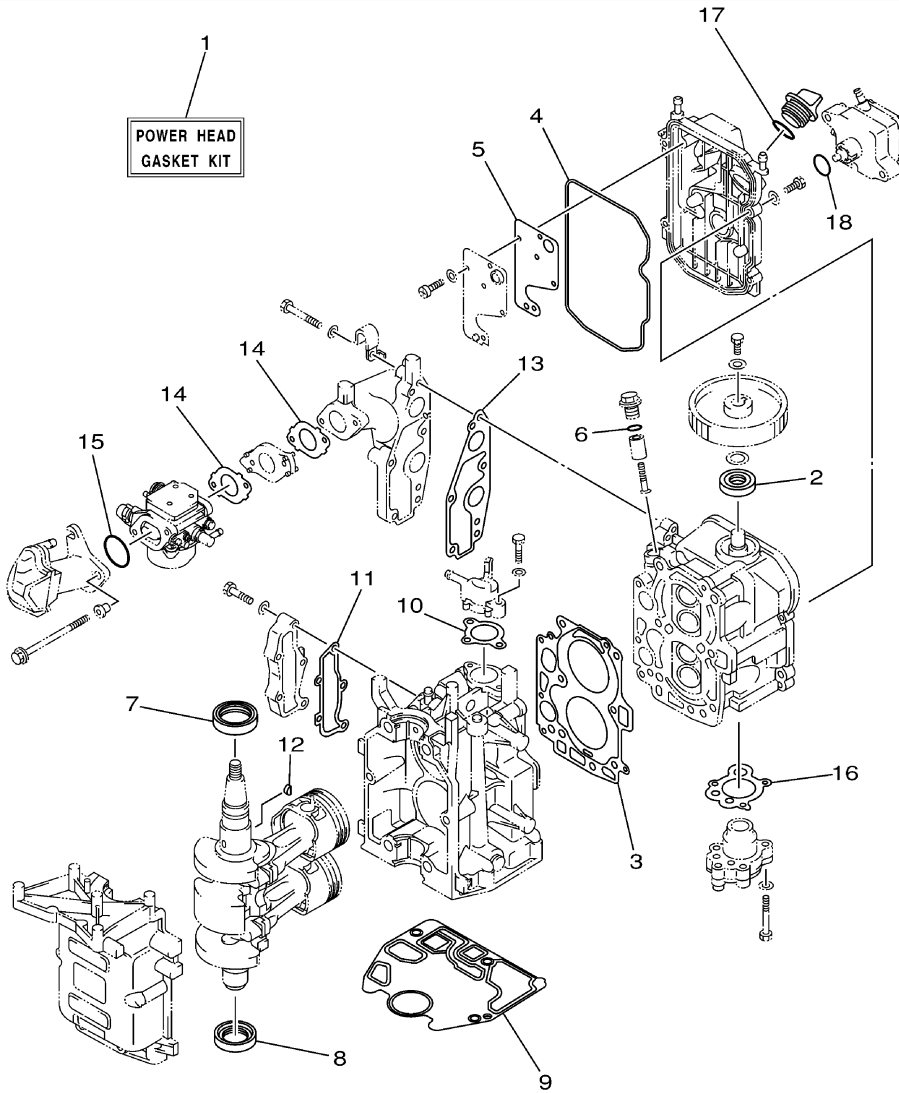
©2014 Yamaha Motor Corporation, U.S.A. All rights reserved.

## Part List

T8PXHA 2002 / OPTIONAL PARTS

| REF<br>-<br>NO | PART<br>NUMBER  | PART NAME                | QUANTITY | REMARKS |
|----------------|-----------------|--------------------------|----------|---------|
| 1              | 69G-W1257-00-00 | FLUSHING ELIMINATION KIT | 1        | AP      |
| 2              | 90338-07M16-00  | .PLUG                    | 1        |         |
| 3              | 90465-11M10-00  | .CLAMP                   | 1        |         |
| 4              | 90480-06M19-00  | .GROMMET                 | 2        |         |

T8PXHA 2002 / REPAIR KIT 1



68R0100-0250

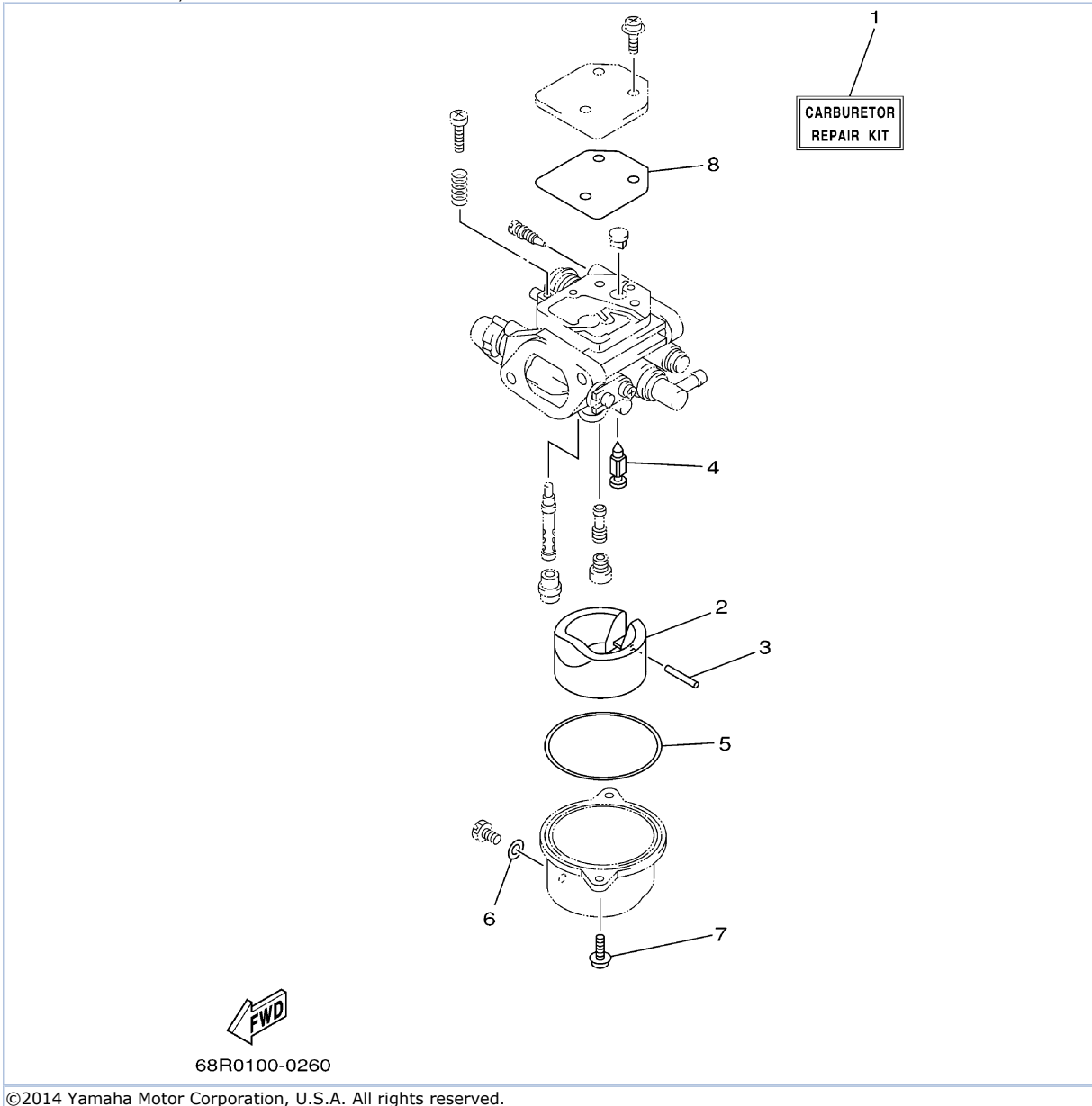
©2014 Yamaha Motor Corporation, U.S.A. All rights reserved.

## Part List

T8PXHA 2002 / REPAIR KIT 1

| REF<br>-<br>NO | PART<br>NUMBER  | PART NAME                       | QUANTITY | REMARKS |
|----------------|-----------------|---------------------------------|----------|---------|
| 1              | 68T-W0001-00-00 | POWER HEAD GASKET KIT           | 1        |         |
| 2              | 93102-18M21-00  | .OIL SEAL                       | 1        |         |
| 3              | 68T-11181-00-00 | .GASKET, CYLINDER HEAD 1        | 1        |         |
| 4              | 68T-11356-00-00 | .SEAL, CYLINDER 2               | 1        |         |
| 5              | 68T-11169-A0-00 | .GASKET, BREATHER COVER         | 1        |         |
| 6              | 93210-13M63-00  | .O-RING                         | 1        |         |
| 7              | 93102-30M22-00  | .OIL SEAL                       | 1        |         |
| 8              | 93101-25M69-00  | .OIL SEAL                       | 1        |         |
| 9              | 68T-11351-00-00 | .GASKET, CYLINDER               | 1        |         |
| 10             | 6G8-12414-A0-00 | .GASKET, COVER                  | 1        |         |
| 11             | 68T-41114-A0-00 | .GASKET, EXHAUST OUTER<br>COVER | 1        |         |
| 12             | 90280-03M01-00  | .KEY, WOODRUFF                  | 1        |         |
| 13             | 68T-13645-00-00 | .GASKET, MANIFOLD 1             | 1        |         |
| 14             | 68T-13646-A0-00 | .GASKET, MANIFOLD 2             | 2        |         |
| 15             | 93210-31MJ5-00  | .O-RING                         | 1        |         |
| 16             | 68T-13329-00-00 | .GASKET, PUMP COVER             | 1        |         |
| 17             | 93210-24M79-00  | .O-RING                         | 1        |         |
| 18             | 93210-20M65-00  | .O-RING                         | 1        |         |

T8PXHA 2002 / REPAIR KIT 2



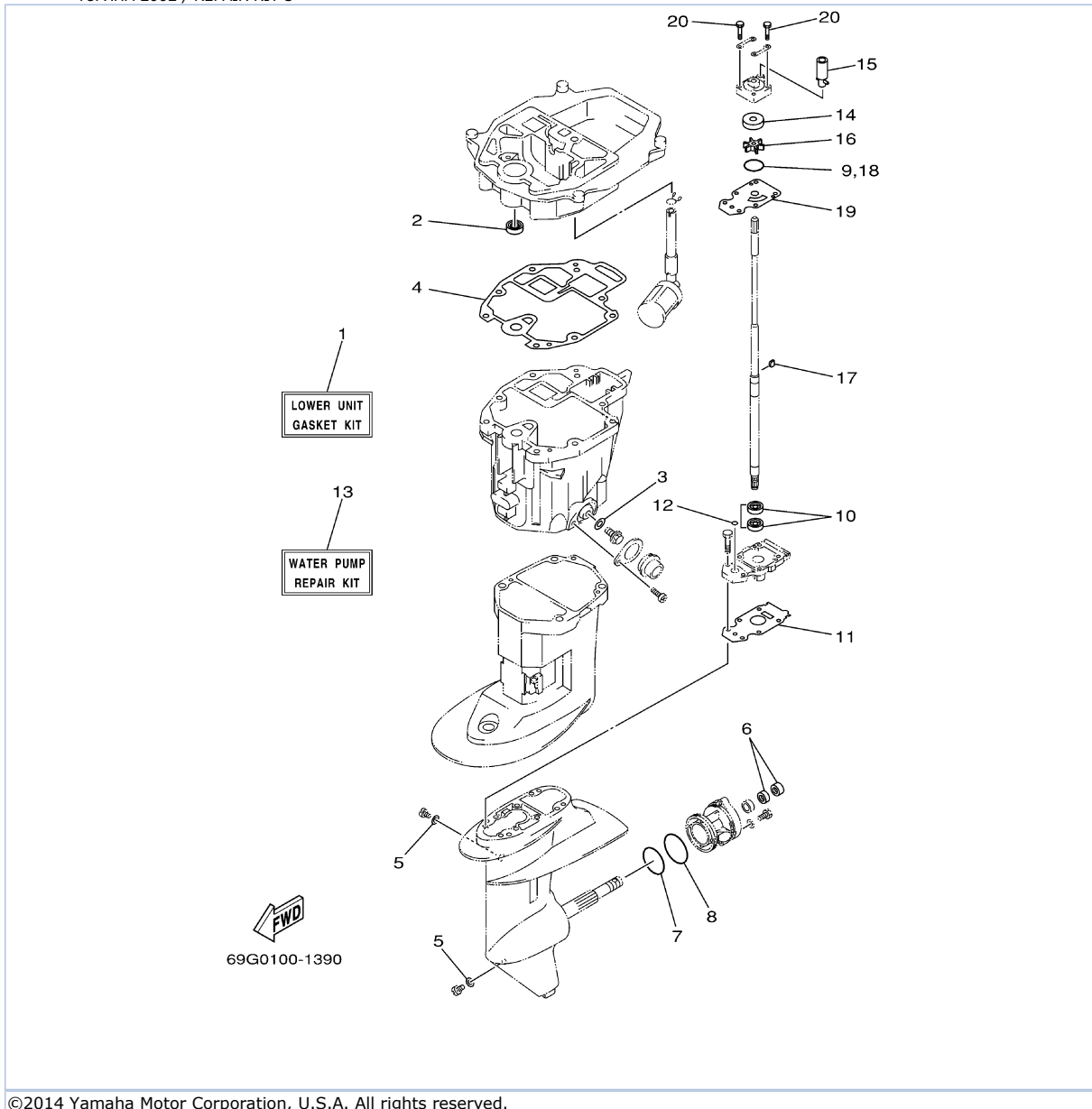
©2014 Yamaha Motor Corporation, U.S.A. All rights reserved.

## Part List

T8PXHA 2002 / REPAIR KIT 2

| REF<br>-<br>NO | PART<br>NUMBER  | PART NAME              | QUANTITY | REMARKS |
|----------------|-----------------|------------------------|----------|---------|
| 1              | 68T-W0093-00-00 | CARBURETOR REPAIR KIT  | 1        |         |
| 2              | 68T-14385-00-00 | .FLOAT                 | 1        |         |
| 3              | 67D-14386-00-00 | .PIN, FLOAT            | 1        |         |
| 4              | 68T-14546-00-00 | .VALVE, NEEDLE         | 1        |         |
| 5              | 67D-14984-00-00 | .GASKET, FLOAT CHAMBER | 1        |         |
| 6              | 6J8-14959-00-00 | .GASKET                | 1        |         |
| 7              | 97980-04112-00  | .SCREW, WITH WASHER    | 2        |         |
| 8              | 67D-14536-00-00 | .GASKET                | 1        |         |

T8PXHA 2002 / REPAIR KIT 3



©2014 Yamaha Motor Corporation, U.S.A. All rights reserved.




## Part List

T8PXHA 2002 / REPAIR KIT 3

| REF<br>-<br>NO | PART<br>NUMBER  | PART NAME               | QUANTITY | REMARKS |
|----------------|-----------------|-------------------------|----------|---------|
| 1              | 69G-W0001-20-00 | LOWER UNIT GASKET KIT   | 1        |         |
| 2              | 93101-12M70-00  | .OIL SEAL               | 1        |         |
| 3              | 90430-10M11-00  | .GASKET                 | 1        |         |
| 4              | 68T-13475-00-00 | .GASKET                 | 1        |         |
| 5              | 90430-08020-00  | .GASKET                 | 2        |         |
| 6              | 93101-17054-00  | .OIL SEAL               | 2        |         |
| 7              | 93210-74316-00  | .O-RING                 | 1        |         |
| 8              | 93210-74M68-00  | .O-RING                 | 1        |         |
| 9              | 93210-44398-00  | .O-RING                 | 1        |         |
| 10             | 93101-20048-00  | .OIL SEAL               | 2        |         |
| 11             | 69G-45315-A0-00 | .PACKING, LOWER CASING  | 1        |         |
| 12             | 93210-06ME6-00  | .O-RING                 | 1        |         |
| 13             | 69G-W0078-00-00 | WATER PUMP REPAIR KIT   | 1        |         |
| 14             | 63V-44322-00-00 | .INSERT, CARTRIDGE      | 1        |         |
| 15             | 68T-44366-00-00 | .DAMPER, WATER SEAL 2   | 1        |         |
| 16             | 63V-44352-01-00 | .IMPELLER               | 1        |         |
| 17             | 664-44338-00-00 | .KEY, WOODRUFF          | 1        |         |
| 18             | 93210-44398-00  | .O-RING                 | 1        |         |
| 19             | 68T-44323-00-00 | .OUTER PLATE, CARTRIDGE | 1        |         |
| 20             | 97080-08045-00  | .BOLT                   | 4        |         |

## Part Notes

T8PXHA 2002 / REPAIR KIT 3

| PART NUMBER  | NOTE TEXT  |
|--|--|
| 90430-08020-00  | OEM: This part number is among the Top 100 Most Popular Marine Maintenance Parts as of March 2014. |

©2014 Yamaha Motor Corporation, U.S.A. All rights reserved.

©2014 Yamaha Motor Corporation, U.S.A. All rights reserved.