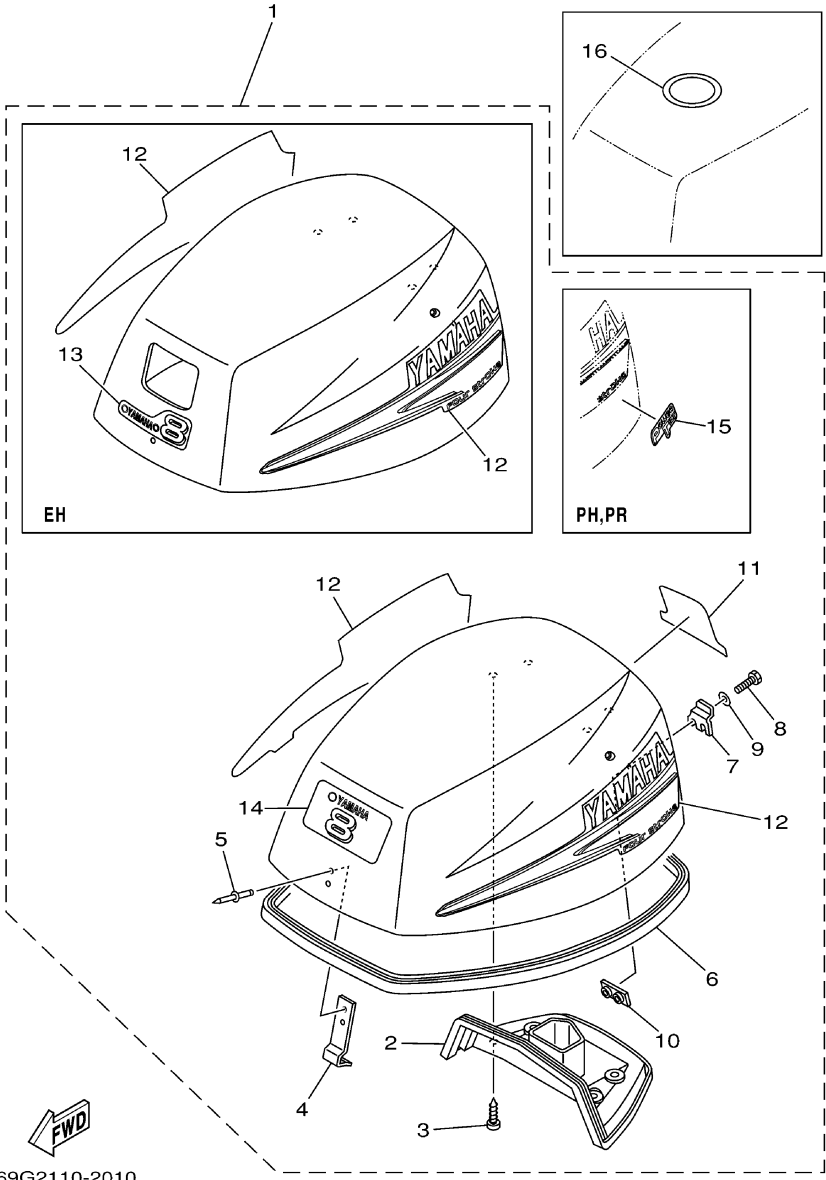


T8ELHA 2002 / TOP COWLING



69G2110-2010

©2014 Yamaha Motor Corporation, U.S.A. All rights reserved.

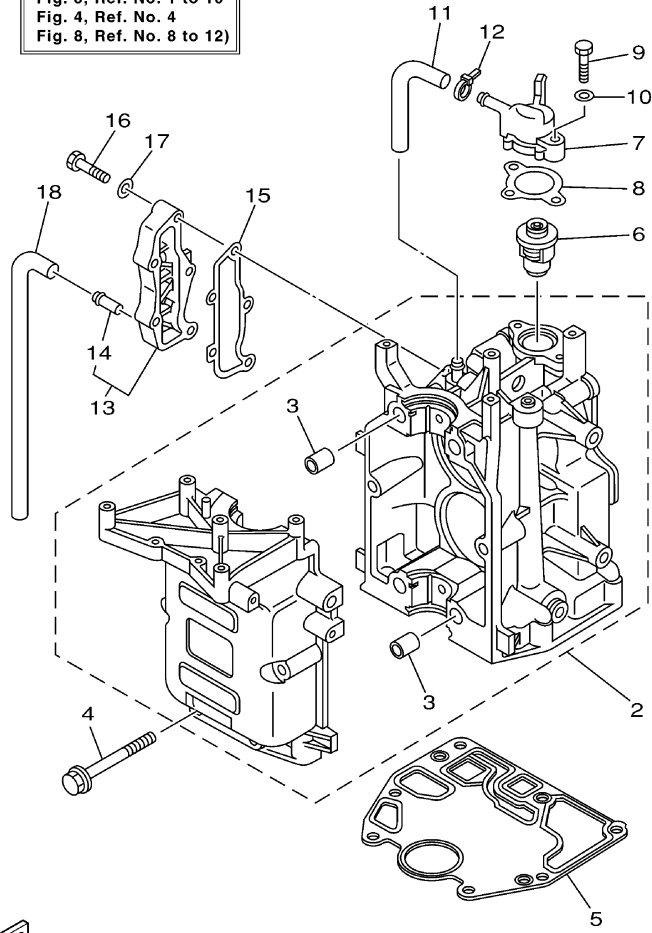
Part List

T8ELHA 2002 / TOP COWLING

REF - NO	PART NUMBER	PART NAME	QUANTITY	REMARKS
1	69G-42610-20-4D	TOP COWLING ASSY	1	UR EH(EH)
1	69G-42610-B0-4D	TOP COWLING ASSY	1	UR PR (PH/R)
1	69G-42610-A0-4D	TOP COWLING ASSY	1	UR PH (PH/R)
2	68T-42613-00-00	.MOLDING, AIR DUCT	1	
3	97780-60516-00	.SCREW, TAPPING	4	
4	6G1-42651-02-00	.HOOK	1	
5	90266-04M04-00	.RIVET	2	
6	68T-42615-00-00	.SEAL	1	
7	68T-42652-00-00	.HOOK	1	
8	97095-05016-00	.BOLT	2	
9	92995-05600-00	.WASHER	2	
10	68T-42649-00-00	.HOLDER, CLAMP BAND	1	
11	69G-42678-20-00	.GRAPHIC, REAR	1	
12	68T-W0070-60-00	.GRAPHIC SET	1	UR PR (PH/R)
12	68T-W0070-20-00	.GRAPHIC SET	1	UR EH/PH
13	68T-42677-00-00	.GRAPHIC, FRONT	1	EH(EH)
14	69G-42686-10-00	.EMBLEM, FRONT	1	PH/PR (PH/R)
15	69A-42675-00-00	.GRAPHIC, SIDE 1	1	PH/PR (PH/R)
16	67F-13434-02-00	LABEL, CAUTION	1	

T8ELHA 2002 / CYLINDER CRANKCASE 1

1
**CYLINDER BLOCK
ASSY**
(Fig. 2, Ref. No. 2 to 10,
13 to 17
Fig. 3, Ref. No. 1 to 10
Fig. 4, Ref. No. 4
Fig. 8, Ref. No. 8 to 12)



68R0100-0020

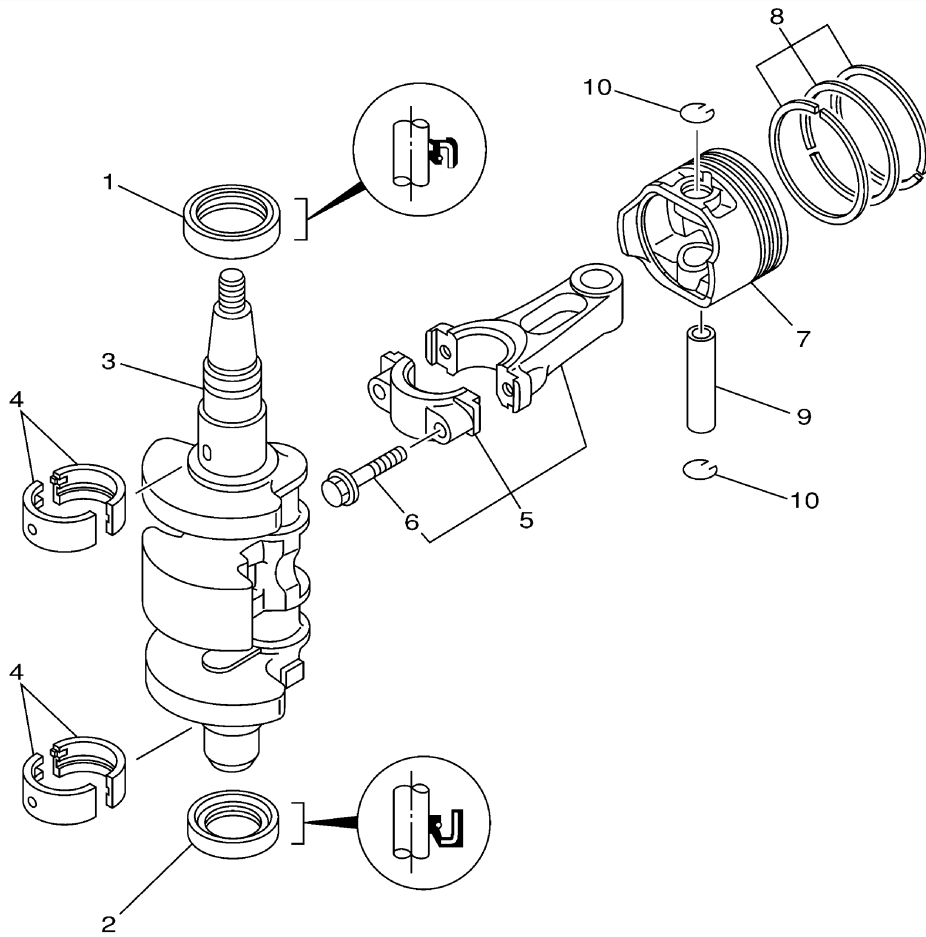
©2014 Yamaha Motor Corporation, U.S.A. All rights reserved.

Part List

T8ELHA 2002 / CYLINDER CRANKCASE 1

REF - NO	PART NUMBER	PART NAME	QUANTITY	REMARKS
1	68T-W009B-00-1S	CYLINDER BLOCK ASSY	1	
2	68T-15100-00-1S	CRANKCASE ASSY	1	
3	99530-12016-00	.PIN, DOWEL	4	
4	90119-08M29-00	BOLT, WITH WASHER	6	
5	68T-11351-00-00	.GASKET, CYLINDER	1	
6	66M-12411-00-00	THERMOSTAT	1	
7	68T-12413-00-1S	COVER, THERMOSTAT	1	
8	6G8-12414-A0-00	.GASKET, COVER	1	
9	97013-06020-00	BOLT	2	
10	92903-06600-00	WASHER, PLATE	2	
11	68T-12481-00-00	PIPE 1	1	
12	90465-11M10-00	CLAMP	1	
13	68T-41113-00-1S	OUTER COVER, EXHAUST	1	
14	6E9-24378-00-00	.PIPE, JOINT 3	1	
15	68T-41114-A0-00	.GASKET, EXHAUST OUTER COVER	1	
16	97013-06025-00	BOLT	5	
17	92903-06600-00	WASHER, PLATE	5	
18	68T-12482-00-00	PIPE 2	1	

T8ELHA 2002 / CRANKSHAFT PISTON



68R0010-0030

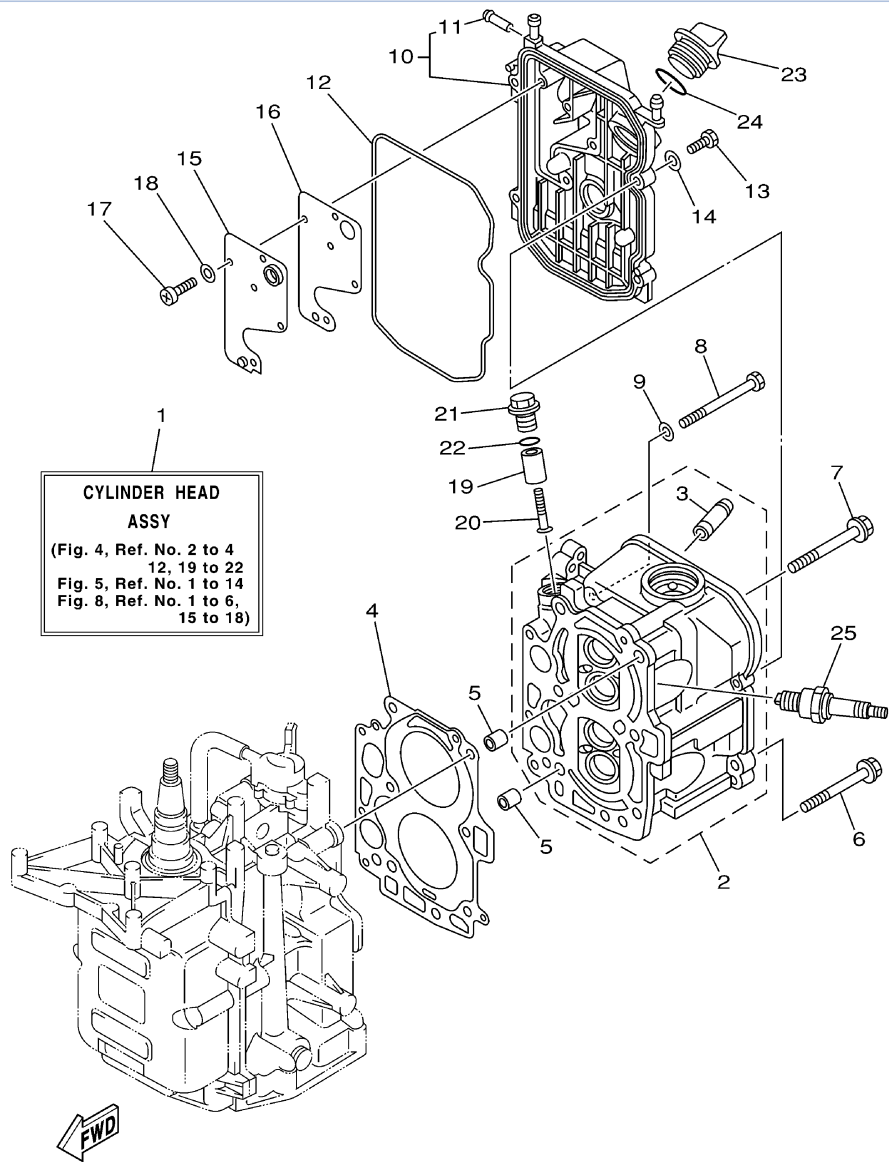
©2014 Yamaha Motor Corporation, U.S.A. All rights reserved.

Part List

T8ELHA 2002 / CRANKSHAFT PISTON

REF - NO	PART NUMBER	PART NAME	QUANTITY	REMARKS
1	93102-30M22-00	.OIL SEAL	1	
2	93101-25M69-00	.OIL SEAL	1	
3	68T-11411-00-00	CRANKSHAFT	1	
4	68T-11416-00-00	PLANE BEARING, CRANKSHAFT 1	4	UR BROWN
4	68T-11416-20-00	PLANE BEARING, CRANKSHAFT 1	4	UR BLUE
4	68T-11416-10-00	PLANE BEARING, CRANKSHAFT 1	4	UR BLACK
5	68T-11650-00-00	CONNECTING ROD ASSY	2	
6	67D-11654-00-00	.BOLT, CONNECTING ROD	2	
7	68T-11631-00-96	PISTON (STD)	2	
7	68T-11636-00-00	PISTON (0.50MM O/S)	2	AP
7	68T-11635-00-00	PISTON (0.25MM O/S)	2	AP
8	68T-11603-00-00	PISTON RING SET (STD)	2	
8	68T-11605-00-00	PISTON RING SET (0.50MM O/S)	2	AP
8	68T-11604-00-00	PISTON RING SET (0.25MM O/S)	2	AP
9	68T-11633-00-00	PIN, PISTON	2	
10	93450-15023-00	CIRCLIP	4	

T8ELHA 2002 / CYLINDER CRANKCASE 2



68R0100-0040

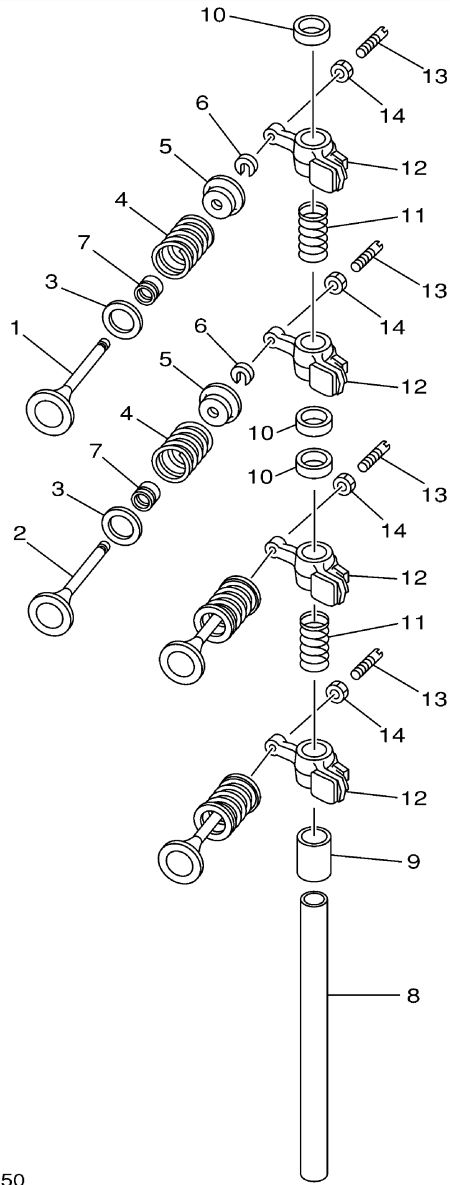
©2014 Yamaha Motor Corporation, U.S.A. All rights reserved.

Part List

T8ELHA 2002 / CYLINDER CRANKCASE 2

REF - NO	PART NUMBER	PART NAME	QUANTITY	REMARKS
1	68T-W009A-00-1S	CYLINDER HEAD ASSY	1	
2	68T-11111-00-1S	HEAD, CYLINDER 1	1	
3	67D-11133-10-00	.GUIDE, VALVE 1	4	
4	68T-11181-00-00	.GASKET, CYLINDER HEAD 1	1	
5	99510-10114-00	PIN, DOWEL	2	
6	90105-08M36-00	BOLT, FLANGE	2	
7	90105-08M78-00	BOLT, FLANGE	4	
8	97013-06070-00	BOLT	3	
9	92903-06600-00	WASHER, PLATE	3	
10	68T-11191-00-1S	COVER, CYLINDER HEAD 1	1	
11	650-24378-00-00	.PIPE, JOINT 4	1	
12	68T-11356-00-00	.SEAL, CYLINDER 2	1	
13	97095-06020-00	BOLT	4	
14	92995-06600-00	WASHER	4	
15	68T-11168-00-00	COVER, BREATHER	1	
16	68T-11169-A0-00	.GASKET, BREATHER COVER	1	
17	98507-04010-00	SCREW, PAN HEAD	5	
18	92907-04600-00	WASHER	5	
19	68T-11325-00-00	ANODE	1	
20	90151-05M05-00	SCREW, COUNTERSUNK	1	
21	6G8-11197-01-00	PLUG, BLIND	1	
22	93210-13M63-00	.O-RING	1	
23	6G8-15363-00-00	PLUG, OIL	1	
24	93210-24M79-00	.O-RING	1	
25	NGK-BR6ES-10-00	PLUG, SPARK (NGK BR6HS-10)	2	

T8ELHA 2002 / VALVE



68R0010-0050

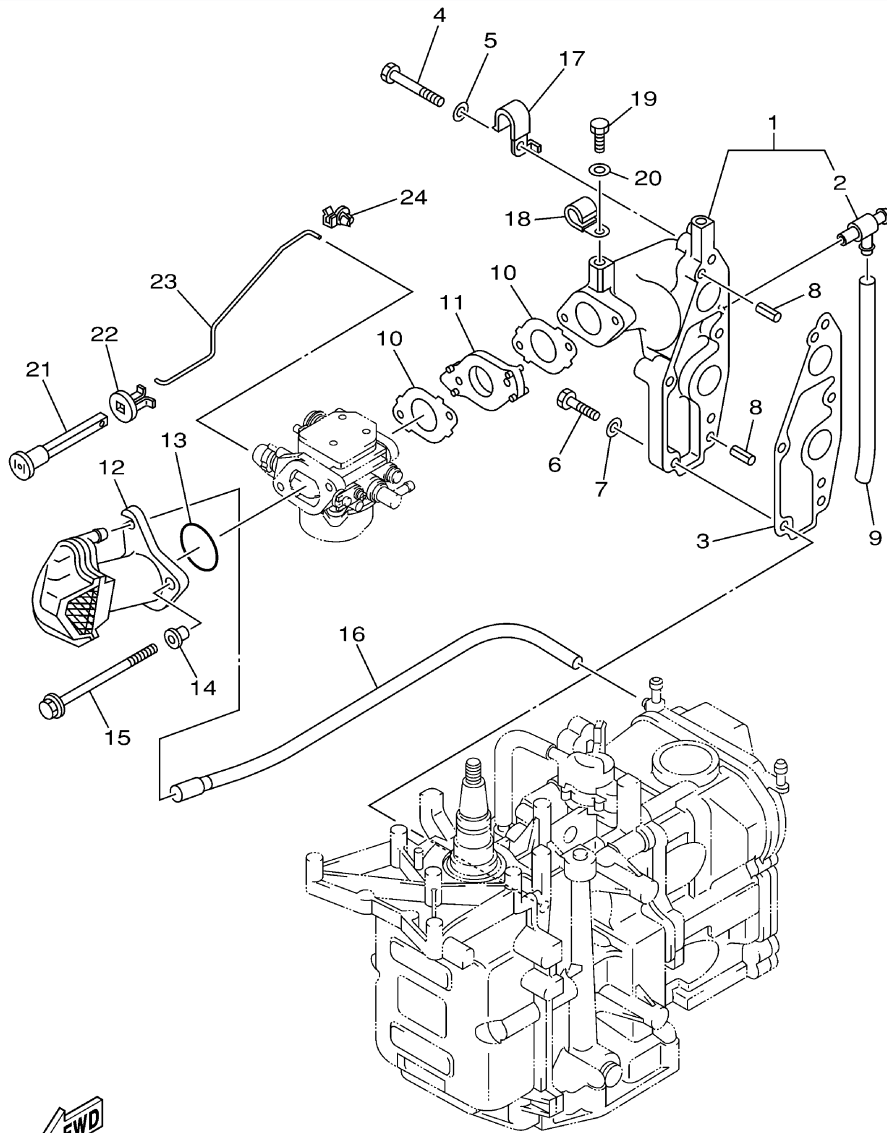
©2014 Yamaha Motor Corporation, U.S.A. All rights reserved.

Part List

T8ELHA 2002 / VALVE

REF - NO	PART NUMBER	PART NAME	QUANTITY	REMARKS
1	67D-12111-00-00	VALVE, INTAKE	2	
2	67D-12121-00-00	VALVE, EXHAUST	2	
3	68T-12116-00-00	SEAT, VALVE SPRING	4	
4	68T-12113-00-00	SPRING, VALVE INNER	4	
5	7NJ-12117-00-00	RETAINER, VALVE SPRING	4	
6	7NJ-12118-00-00	LOCK, VALVE SPRING RETAINER	4	
7	51Y-12119-00-00	SEAL, VALVE STEM	4	
8	68T-12146-00-00	SHAFT, ROCKER	1	
9	90387-13M56-00	COLLAR	1	
10	90387-14M03-00	COLLAR	3	
11	90501-12M40-00	SPRING, COMPRESSION	2	
12	68T-12151-00-00	ARM, VALVE ROCKER	4	
13	6G8-12159-00-00	SCREW, VALVE ADJUSTING	4	
14	6G8-12158-00-00	NUT, LOCK	4	

T8ELHA 2002 / INTAKE



68R0110-1060

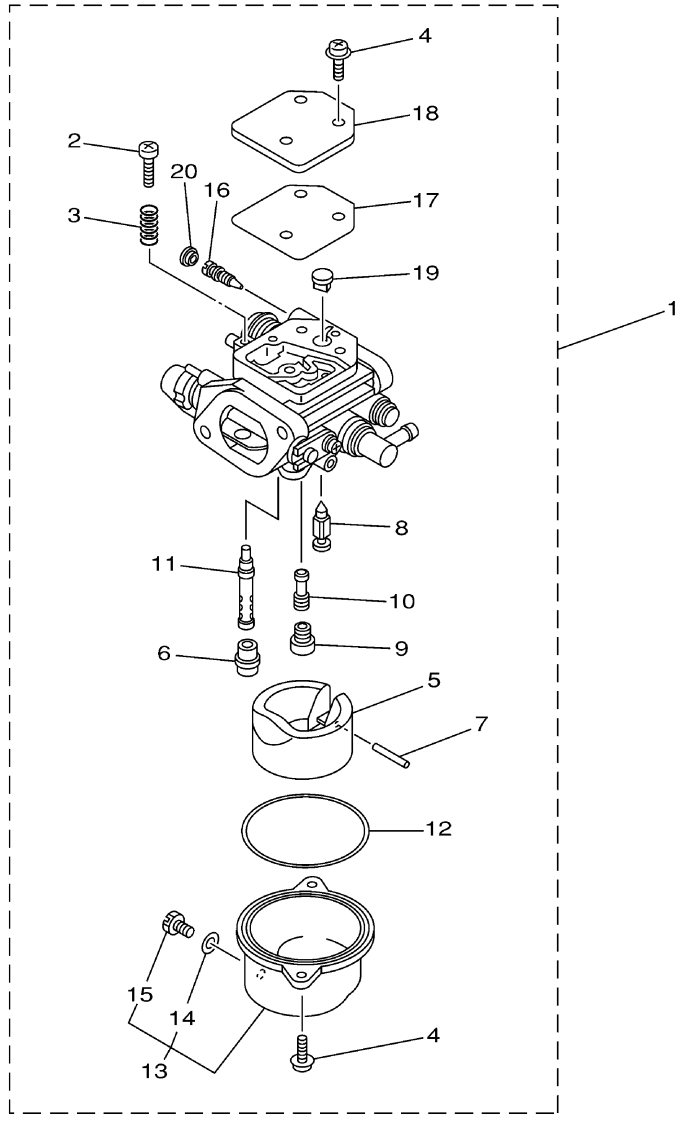
©2014 Yamaha Motor Corporation, U.S.A. All rights reserved.

Part List

T8ELHA 2002 / INTAKE

REF - NO	PART NUMBER	PART NAME	QUANTITY	REMARKS
1	68T-13641-20-1S	MANIFOLD, INTAKE 1	1	FOR FLUSHING KIT
2	67F-12482-00-00	.PIPE 2	1	
3	68T-13645-00-00	.GASKET, MANIFOLD 1	1	
4	97013-06035-00	BOLT	3	
5	92903-06600-00	WASHER, PLATE	3	
6	97013-06025-00	BOLT	2	
7	92903-06600-00	WASHER, PLATE	2	
8	91690-50014-00	PIN, SPRING	2	
9	90445-09M20-00	HOSE (L95)	1	FOR FLUSHING KIT
10	68T-13646-A0-00	.GASKET, MANIFOLD 2	2	
11	68T-14271-00-00	INSULATOR	1	
12	68T-14440-00-00	SILENCER ASSY, INTAKE	1	
13	93210-31MJ5-00	.O-RING	1	
14	90387-06M70-00	COLLAR	2	
15	97595-06585-00	BOLT, WITH WASHER	2	
16	68T-12483-00-00	PIPE 3	1	
17	90465-08M99-00	CLAMP	1	
18	90465-08M83-00	CLAMP	1	
19	97095-06010-00	BOLT	1	EH/PH
20	92995-06600-00	WASHER	1	EH/PH
21	6H4-41271-01-00	KNOB, CHOKE	1	
22	689-41273-00-00	GROMMET	1	
23	68T-41256-00-00	ROD, CHOKE 1	1	
24	6J8-41262-00-00	JOINT, CHOKE LEVER	1	

T8ELHA 2002 / CARBURETOR



68R0100-1070

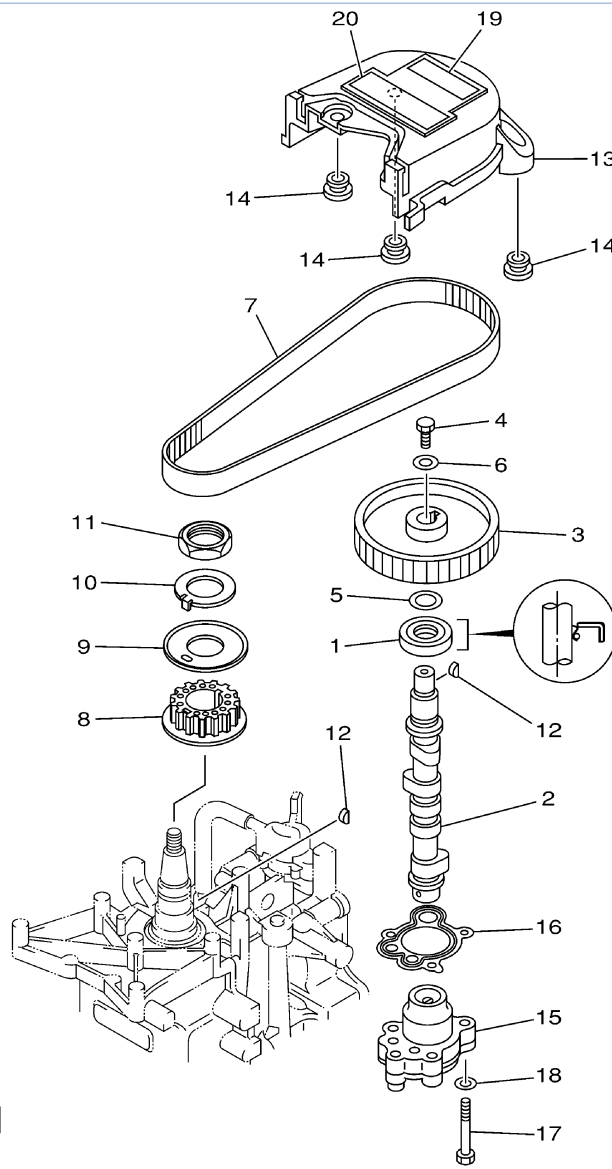
©2014 Yamaha Motor Corporation, U.S.A. All rights reserved.

Part List

T8ELHA 2002 / CARBURETOR

REF - NO	PART NUMBER	PART NAME	QUANTITY	REMARKS
1	68T-14301-40-00	CARBURETOR ASSY 1	1	UR PR (PH/R)
1	68T-14301-10-00	CARBURETOR ASSY 1	1	UR EH/PH
2	6E5-14321-00-00	.SCREW, THROTTLE	1	
3	6J8-14334-00-00	.SPRING, THROTTLE	1	
4	97980-04112-00	.SCREW, WITH WASHER	5	
5	68T-14385-00-00	.FLOAT	1	
6	67D-14966-00-00	.RUBBER CAP	1	
7	67D-14386-00-00	.PIN, FLOAT	1	
8	68T-14546-00-00	.VALVE, NEEDLE	1	
9	68T-1492E-37-00	.JET, MAIN (#74)	1	
10	68T-1492F-1K-00	.JET, AIR SLOW (#39)	1	
11	68T-1492A-00-00	.NOZZLE, MAIN	1	
12	67D-14984-00-00	.GASKET, FLOAT CHAMBER	1	
13	68T-14981-00-00	.BODY, FLOAT CHAMBER	1	
14	6J8-14959-00-00	..GASKET	1	
15	66T-14991-00-00	..PLUG, DRAIN	1	
16	67D-14323-00-00	.SCREW, AIR ADJUSTING	1	
17	67D-14536-00-00	.GASKET	1	
18	67D-14527-00-00	.PLATE	1	
19	68T-14126-00-00	.PLUG	1	
20	67D-1432A-00-00	.PLUG	1	

T8ELHA 2002 / OIL PUMP



68R1100-2080

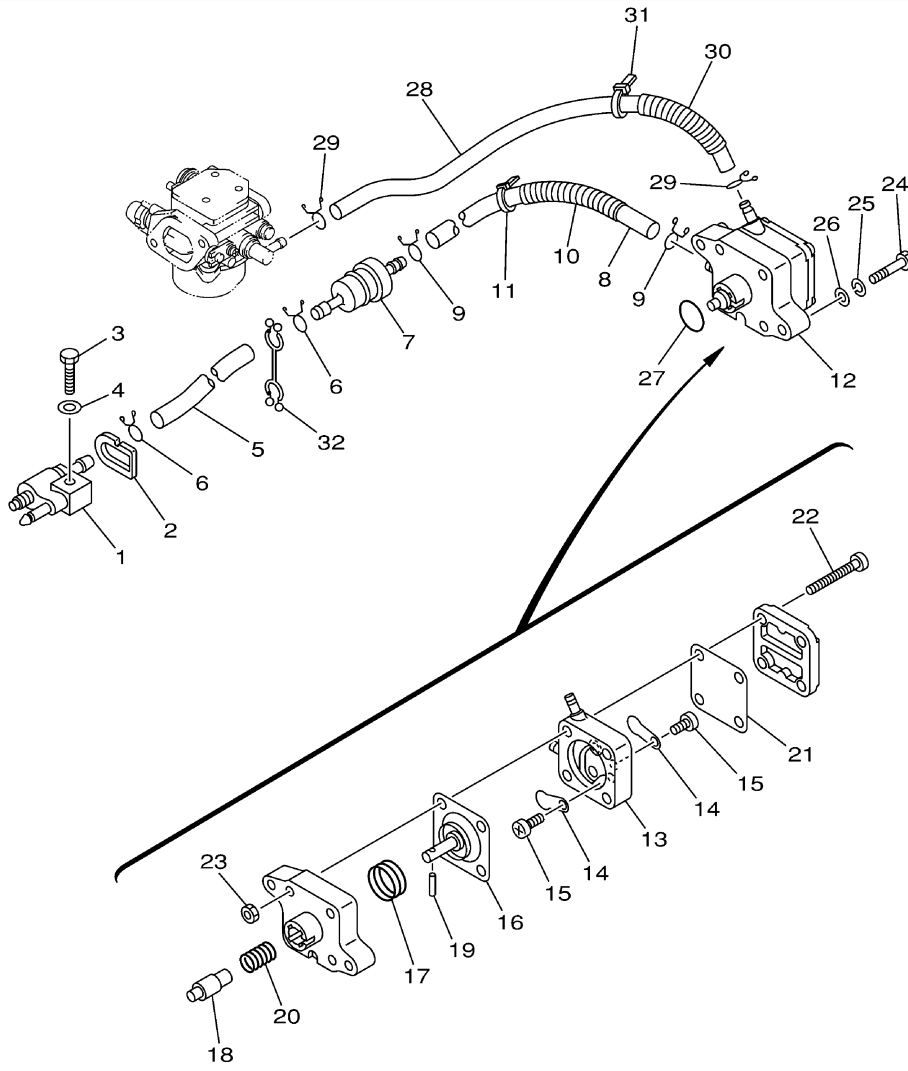
©2014 Yamaha Motor Corporation, U.S.A. All rights reserved.

Part List

T8ELHA 2002 / OIL PUMP

REF - NO	PART NUMBER	PART NAME	QUANTITY	REMARKS
1	93102-18M21-00	.OIL SEAL	1	
2	68T-12171-00-00	CAMSHAFT 1	1	
3	66M-11537-00-94	GEAR, DRIVEN	1	
4	97013-06016-00	BOLT	1	
5	90201-13201-00	WASHER, PLATE	1	
6	90201-06M94-00	WASHER, PLATE	1	
7	68T-46241-00-00	BELT	1	
8	68T-11536-00-00	GEAR, DRIVE	1	
9	68T-11557-00-00	WASHER 1	1	
10	6G8-11587-01-00	WASHER, LOCK	1	
11	90170-24M09-00	NUT	1	
12	90280-03M01-00	.KEY, WOODRUFF	2	
13	68T-46297-00-00	COVER, DUST	1	
14	90480-10627-00	GROMMET	3	
15	68T-13300-00-00	OIL PUMP ASSY	1	
16	68T-13329-00-00	.GASKET, PUMP COVER	1	
17	97095-06030-00	BOLT	3	
18	92995-06600-00	WASHER	3	
19	6G9-12138-40-00	MARK, CAUTION	1	
20	68T-13437-40-00	MARK, CAUTION	1	

T8ELHA 2002 / FUEL 1



68R0010-0090

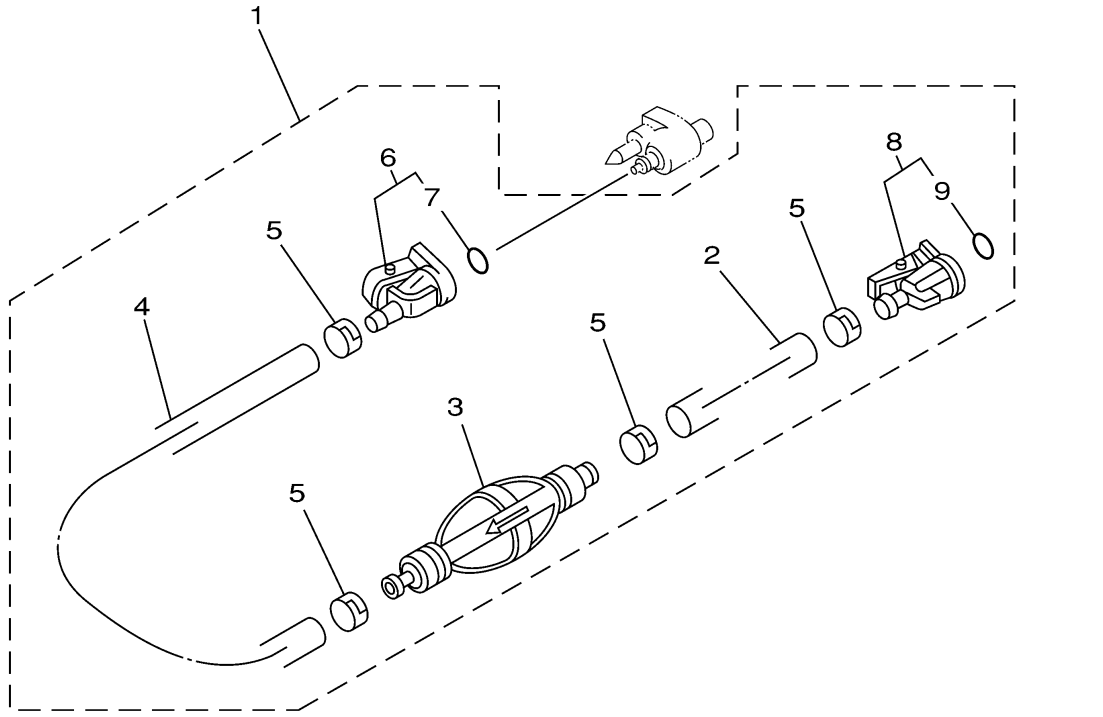
©2014 Yamaha Motor Corporation, U.S.A. All rights reserved.

Part List

T8ELHA 2002 / FUEL 1

REF - NO	PART NUMBER	PART NAME	QUANTITY	REMARKS
1	6G1-24304-02-00	FUEL PIPE JOINT COMP. 1	1	
2	61N-24329-00-00	SEAL	1	
3	97095-06025-00	BOLT	1	
4	92995-06600-00	WASHER	1	
5	90445-10M18-00	.HOSE (L295)	1	
6	90467-09M09-00	CLIP	2	
7	68T-24251-00-00	STRAINER 1	1	
8	90445-10M50-00	HOSE (L170)	1	
9	90467-09M09-00	CLIP	2	
10	90446-14M66-00	HOSE (L40)	1	
11	90465-11M10-00	CLAMP	1	
12	68T-24410-00-00	FUEL PUMP ASSY	1	
13	66M-24413-01-00	.BODY 2	1	
14	6A0-24421-01-00	.VALVE, CHECK	2	
15	6E7-14325-00-00	.SCREW, PAN HEAD	2	
16	66M-24411-00-00	.DIAPHRAGM	1	
17	66M-24423-00-00	.SPRING, DIAPHRAGM	1	
18	66M-13131-00-00	.PLUNGER	1	
19	66M-24374-00-00	.PIN	1	
20	66M-24454-00-00	.SPRING	1	
21	66M-24471-00-00	.DIAPHRAGM	1	
22	66M-24444-00-00	.SCREW	4	
23	95380-05600-00	.NUT	4	
24	97095-06030-00	BOLT	2	
25	92995-06100-00	WASHER, SPRING	2	
26	92995-06600-00	WASHER	2	
27	93210-20M65-00	.O-RING	1	
28	90445-10016-00	HOSE (L280)	1	
29	90467-09M09-00	CLIP	2	
30	90446-14M66-00	HOSE (L40)	1	
31	90465-11M10-00	CLAMP	1	
32	90464-10M53-00	CLAMP	1	

T8ELHA 2002 / FUEL 2



6960100-0050

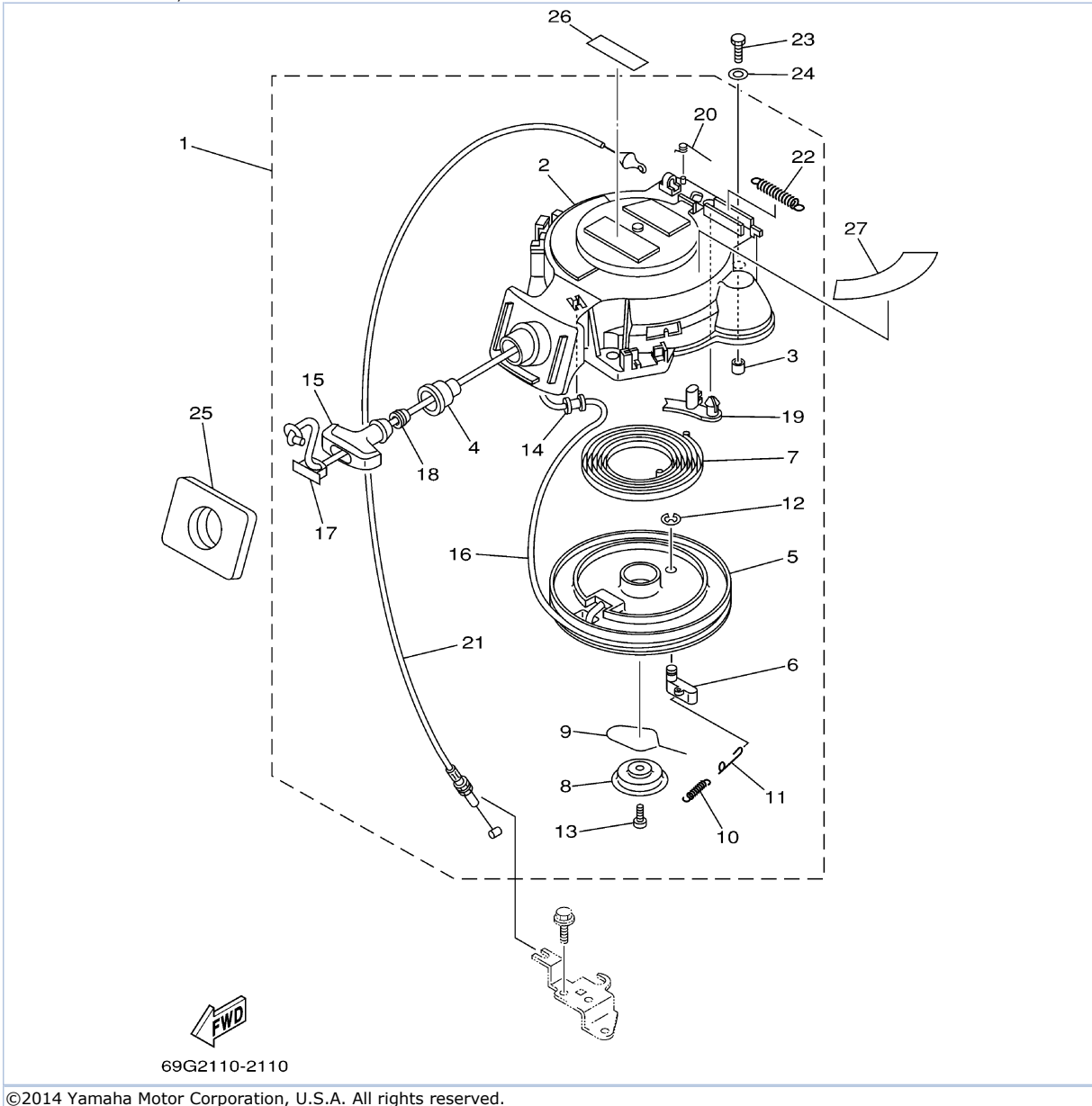
©2014 Yamaha Motor Corporation, U.S.A. All rights reserved.

Part List

T8ELHA 2002 / FUEL 2

REF - NO	PART NUMBER	PART NAME	QUANTITY	REMARKS
1	6Y1-24306-53-00	FUEL PIPE COMP. 1	1	AP
2	90445-11M06-00	.HOSE (L2050)	1	
3	6Y1-24360-52-00	.PRIMER PUMP ASSY	1	
4	90445-11M05-00	.HOSE (L850)	1	
5	650-24351-51-00	.BAND 1	4	
6	6G1-24305-03-00	.FUEL PIPE JOINT COMP 2	1	
7	93210-08287-00	..O-RING	1	
8	6Y1-24305-04-00	.FUEL PIPE JOINT COMP 2	1	
9	93210-08287-00	..O-RING	1	

T8ELHA 2002 / STARTER



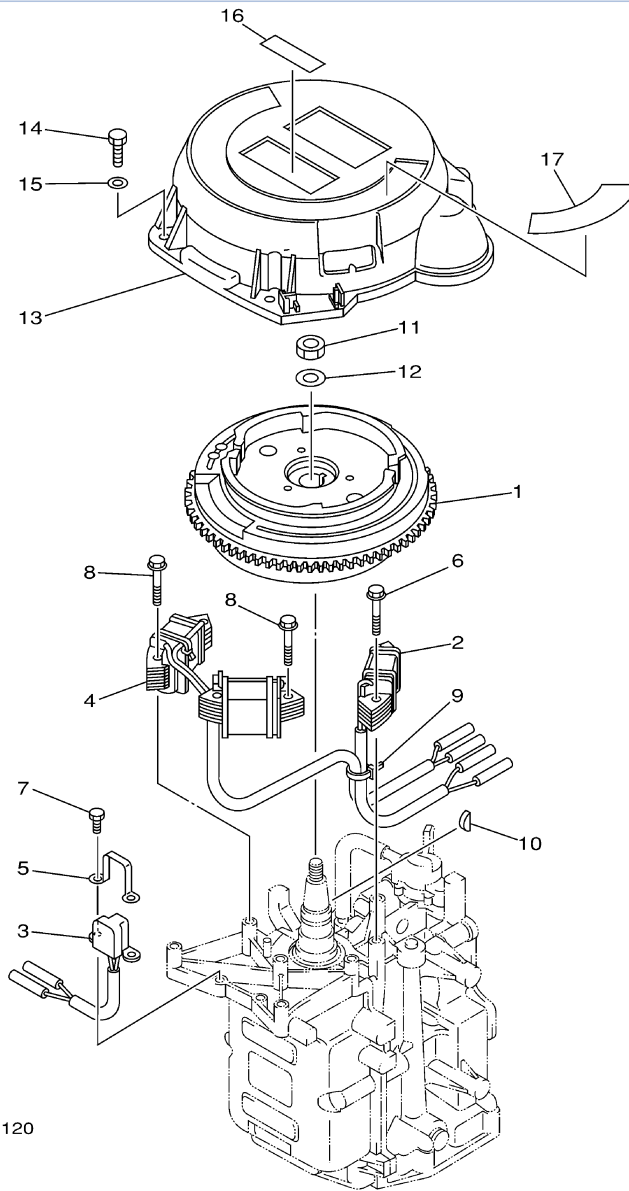
©2014 Yamaha Motor Corporation, U.S.A. All rights reserved.

Part List

T8ELHA 2002 / STARTER

REF - NO	PART NUMBER	PART NAME	QUANTITY	REMARKS
1	68T-15710-01-00	STARTER ASSY	1	EH(EH)
2	68T-15711-01-00	.CASE, STARTER	1	(EH)
3	67D-15764-00-00	.COLLAR 1	3	(EH)
4	68T-15795-00-00	.GUIDE, ROPE	1	(EH)
5	63V-15714-00-00	.DRUM, SHEAVE	1	(EH)
6	63V-15741-00-00	.PAWL, DRIVE	1	(EH)
7	63V-15713-00-00	.SPRING, STARTER	1	(EH)
8	68T-15716-00-00	.PLATE, DRIVE	1	(EH)
9	63V-15705-01-00	.SPRING, DRIVE PAWL	1	(EH)
10	63V-15767-01-00	.SPRING	1	(EH)
11	68T-15784-00-00	.SPRING, RETURN	1	(EH)
12	63V-15744-00-00	.CIRCLIP	1	(EH)
13	68T-15793-00-00	.SCREW	1	(EH)
14	68T-15764-00-00	.COLLAR 1	1	(EH)
15	6G1-15755-00-00	.HANDLE, STARTER	1	(EH)
16	90580-40M02-00	.ROPE, STARTER	1	(EH)
17	6G1-15779-00-00	.COVER	1	(EH)
18	6A0-15789-00-00	.DAMPER	1	(EH)
19	66T-15794-00-00	.STOPPER	1	(EH)
20	66T-15734-00-00	.SPRING, RETURN	1	(EH)
21	68T-15770-00-00	.CABLE COMP, STARTER STOP	1	(EH)
22	66T-15731-00-00	.SPRING, RETURN	1	(EH)
23	97095-06020-00	BOLT	3	EH(EH)
24	92995-06600-00	WASHER	3	EH(EH)
25	68T-15762-00-00	SEAL, RUBBER 2	1	EH(EH)
26	6A1-83625-41-00	MARK 5	1	EH(EH)
27	68T-85711-40-00	MARK, CAUTION	1	EH(EH)

T8ELHA 2002 / GENERATOR



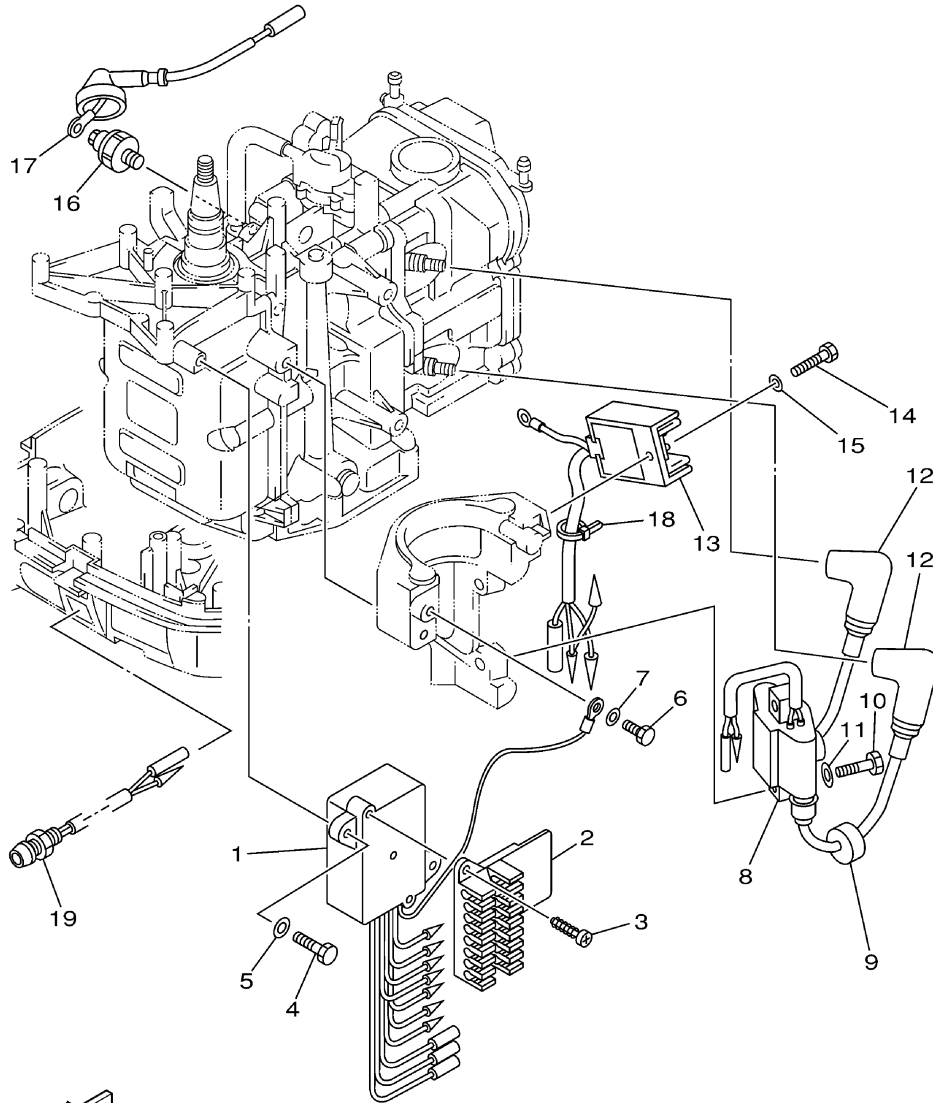
©2014 Yamaha Motor Corporation, U.S.A. All rights reserved.

Part List

T8ELHA 2002 / GENERATOR

REF - NO	PART NUMBER	PART NAME	QUANTITY	REMARKS
1	68T-85550-11-00	ROTOR ASSY	1	
2	68T-85520-00-00	COIL, CHARGE	1	
3	68T-85580-01-00	COIL, PULSER	1	
4	68T-85533-10-00	COIL, LIGHTING	1	
5	6H2-85582-00-00	ATTACHMENT, PULSER	1	
6	90119-06014-00	BOLT, WITH WASHER	2	
7	97095-05010-00	BOLT	2	
8	90119-06MA1-00	BOLT, WITH WASHER	4	
9	90465-11M10-00	CLAMP	1	
10	90280-04M06-00	KEY, WOODRUFF	1	
11	90170-12066-00	NUT	1	
12	90201-12472-00	WASHER, PLATE	1	
13	69G-81337-00-00	COVER, FLYWHEEL	1	PH/PR (PH/R)
14	97095-06020-00	BOLT	3	PH/PR (PH/R)
15	92995-06600-00	WASHER	3	PH/PR (PH/R)
16	6A1-83625-41-00	MARK 5	1	PH/PR (PH/R)
17	68T-85711-40-00	MARK, CAUTION	1	PH/PR (PH/R)

T8ELHA 2002 / ELECTRICAL 1



69G0100-1130

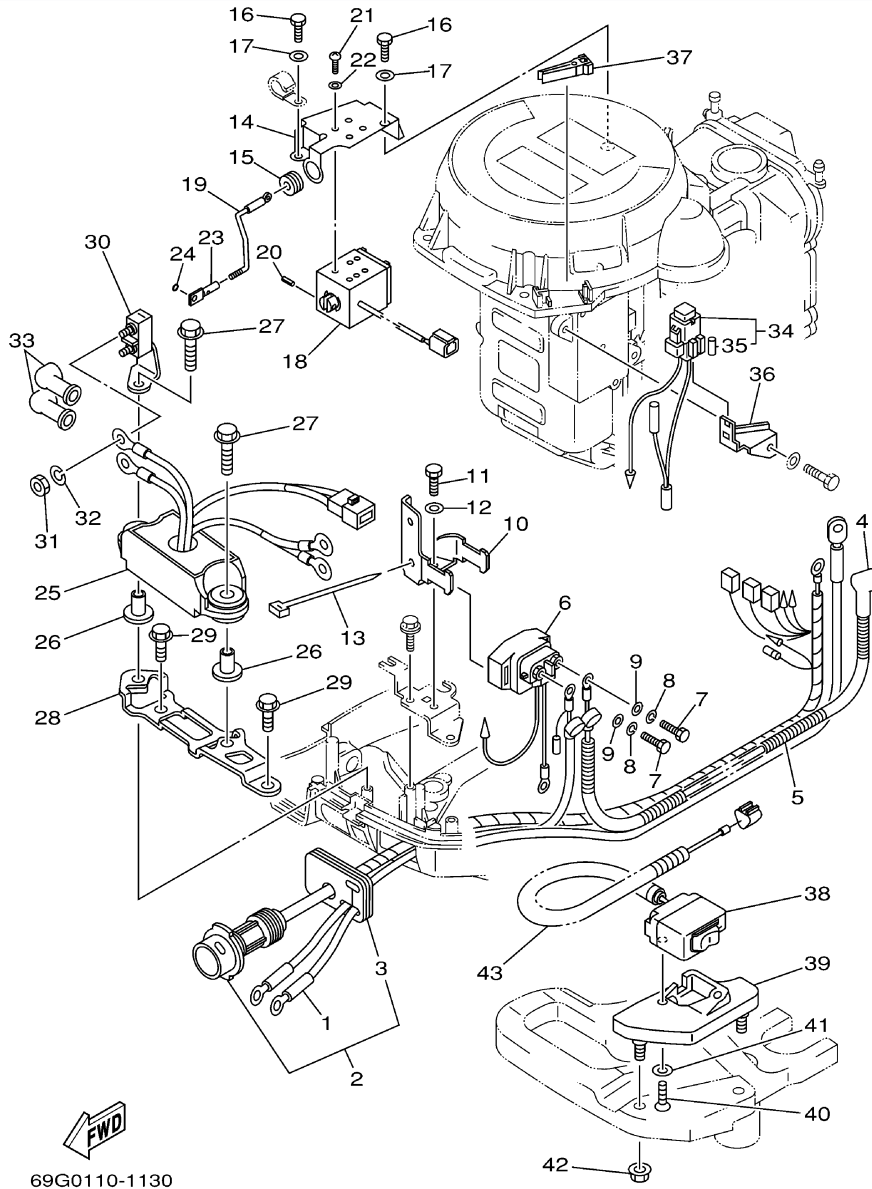
©2014 Yamaha Motor Corporation, U.S.A. All rights reserved.

Part List

T8ELHA 2002 / ELECTRICAL 1

REF - NO	PART NUMBER	PART NAME	QUANTITY	REMARKS
1	68T-85540-00-00	C.D.I. UNIT ASSY	1	
2	68T-82522-00-00	CLAMP, COUPLER	1	
3	97780-40512-00	SCREW, TAPPING	2	
4	97095-06020-00	BOLT	2	
5	92995-06600-00	WASHER	2	
6	97095-06012-00	BOLT	1	
7	92995-06600-00	WASHER	1	
8	680-85570-00-00	IGNITION COIL ASSY	1	
9	90480-25161-00	GROMMET	2	
10	97095-06025-00	BOLT	2	
11	92995-06600-00	WASHER	2	
12	6E3-82370-21-00	PLUG CAP ASSY	2	
13	68T-81960-00-00	RECTIFIER & REGULATOR ASSY	1	
14	97095-06012-00	BOLT	1	
15	92995-06600-00	WASHER	1	
16	67F-82504-00-00	OIL PRESSURE SWITCH ASSY	1	
17	68T-82127-10-00	WIRE, LEAD 2	1	
18	90465-11M10-00	CLAMP	1	
19	68T-85410-00-00	EMERGENCY SIGNAL LIGHT ASSY	1	

T8ELHA 2002 / ELECTRICAL 2



69G0110-1130

©2014 Yamaha Motor Corporation, U.S.A. All rights reserved.


Part List

T8ELHA 2002 / ELECTRICAL 2

REF - NO	PART NUMBER	PART NAME	QUANTITY	REMARKS
1	69G-82105-00-00	BATTERY CABLE (L: 3.0M)	1	
2	69G-82590-00-00	WIRE HARNESS ASSY	1	PR (PH/R)
3	69G-42724-60-00	.GROMMET	1	(PH/R)
4	6G8-82117-00-00	WIRE, LEAD	1	
5	90446-10M86-00	HOSE (L140)	1	
6	68T-81940-00-00	STARTER RELAY ASSY	1	
7	97095-06010-00	BOLT	2	
8	92995-06100-00	WASHER, SPRING	2	
9	92995-06600-00	WASHER	2	
10	68T-81945-00-00	PLATE, SWITCH FITTING	1	
11	97095-06012-00	BOLT	1	
12	92995-06600-00	WASHER	1	
13	90465-13M11-00	CLAMP	2	UR PH/PR (PH/R)
13	90465-12M56-00	CLAMP	1	UR EH(EH)
14	68T-86112-00-00	STAY, SOLENOID	1	PR (PH/R)
15	90480-13018-00	GROMMET	1	PR (PH/R)
16	97095-06012-00	BOLT	2	PR (PH/R)
17	92995-06600-00	WASHER	2	PR (PH/R)
18	68T-86111-00-00	COIL, SOLENOID	1	PR (PH/R)
19	68T-41237-00-00	JOINT, LINK	1	PR (PH/R)
20	91690-30010-00	PIN, SPRING	1	PR (PH/R)
21	97880-04008-00	SCREW, PAN HEAD	4	PR (PH/R)
22	92990-04600-00	WASHER, PLATE	4	PR (PH/R)
23	68T-86117-00-00	HOOK, WIRE PULL	1	PR (PH/R)
24	93210-03261-00	O-RING	1	PR (PH/R)
25	69G-81950-00-00	RELAY ASSY	1	PH/PR (PH/R)
26	90387-06M03-00	COLLAR	2	PH/PR (PH/R)
27	90119-06M56-00	BOLT, WITH WASHER	2	PH/PR (PH/R)
28	69G-81948-00-00	BRACKET	1	PH/PR (PH/R)
29	90109-06M80-00	.BOLT	2	PH/PR (PH/R)
30	69G-81925-00-00	TERMINAL	1	PH/PR (PH/R)
31	90170-06M30-00	NUT	2	PH/PR (PH/R)
32	90204-06M00-00	WASHER, SPRING	2	PH/PR (PH/R)
33	6G5-82119-00-00	COVER, LEAD WIRE	2	PH/PR (PH/R)
34	68T-82150-00-00	FUSE HOLDER ASSY	1	
35	66V-82151-00-00	.FUSE (10A-BL)	2	
36	68T-82171-00-00	STAY, FUSE BOX	1	
37	67F-2812A-00-00	.PULLER, FUSE	1	
38	69G-82563-10-00	TRIM & TILT SWITCH ASSY	1	PR (PH/R)
39	69G-83773-00-00	BRACKET, SWITCH	1	PR (PH/R)
40	97880-06020-00	SCREW, PAN HEAD	2	PR (PH/R)
41	92990-06600-00	WASHER, PLATE	2	PR (PH/R)
42	90179-06M24-00	NUT	2	PR (PH/R)
43	90447-07006-00	TUBE	1	PR (PH/R)

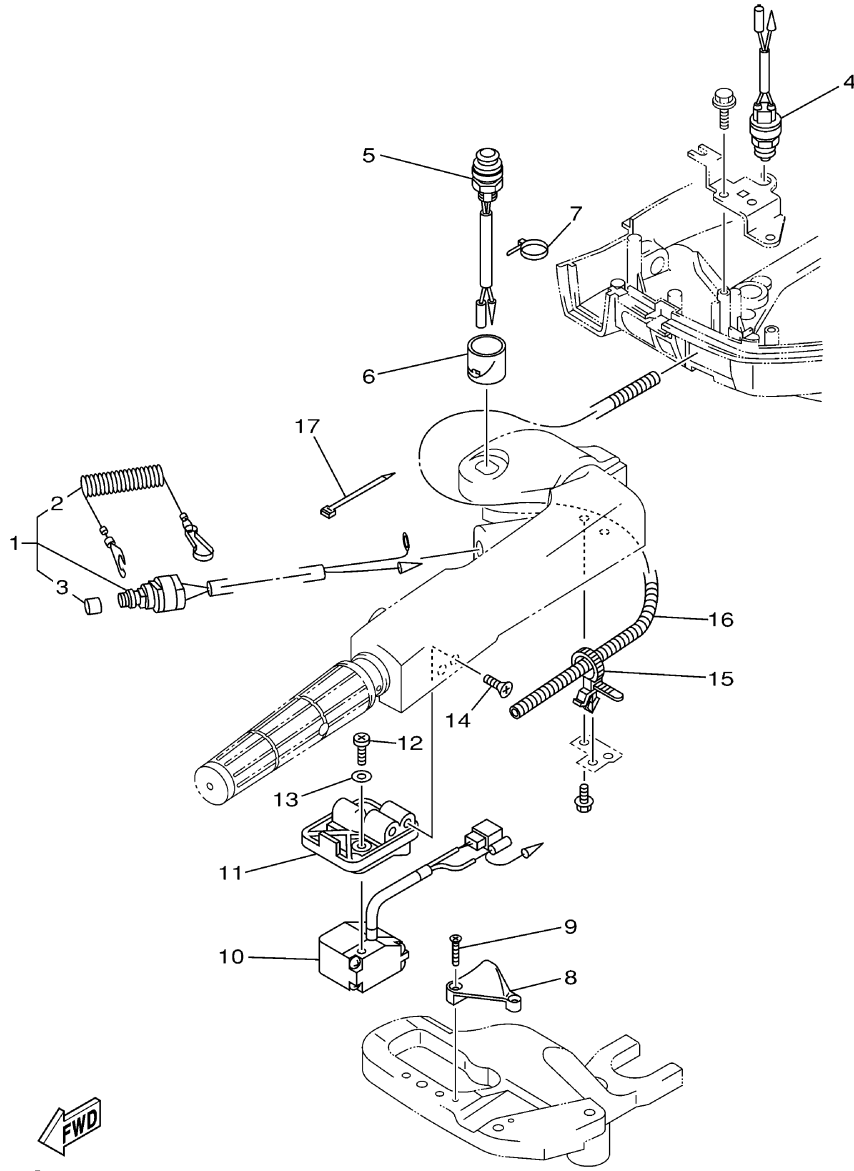
Part Notes

T8ELHA 2002 / ELECTRICAL 2

PART NUMBER	NOTE TEXT
92990-06600-00 	OEM: This part number is among the Top 100 Most Popular Marine Maintenance Parts as of March 2014.

©2014 Yamaha Motor Corporation, U.S.A. All rights reserved.

T8ELHA 2002 / ELECTRICAL 3



69G0110-1140

©2014 Yamaha Motor Corporation, U.S.A. All rights reserved.


Part List

T8ELHA 2002 / ELECTRICAL 3

REF - NO	PART NUMBER	PART NAME	QUANTITY	REMARKS
1	65W-82575-01-00	ENGINE STOP SWITCH ASSY	1	
2	682-82556-00-00	.LANYARD, STOP SWITCH	1	
3	689-8257Y-00-00	.CAP	1	
4	6F5-82540-00-00	NEUTRAL SWITCH ASSY	1	
5	68T-81870-00-00	STARTING SWITCH ASSY	1	
6	68T-81821-00-00	COVER, SWITCH	1	
7	90465-11M10-00	CLAMP	1	
8	68T-82594-00-00	CLAMP	1	
9	90151-05003-00	SCREW, COUNTERSUNK	2	
10	69G-82563-00-00	TRIM & TILT SWITCH ASSY	1	PH (PH/R)
11	69C-42176-00-00	STAY 2	1	PH (PH/R)
12	97885-06020-00	SCREW, PAN HEAD	2	PH (PH/R)
13	92995-06600-00	WASHER	2	PH (PH/R)
14	90151-06004-00	SCREW, COUNTERSUNK	3	PH (PH/R)
15	90465-12M56-00	CLAMP	2	PH (PH/R)
16	90447-07002-00	TUBE (L650)	1	PH (PH/R)
17	90465-13M11-00	CLAMP	1	PH (PH/R)

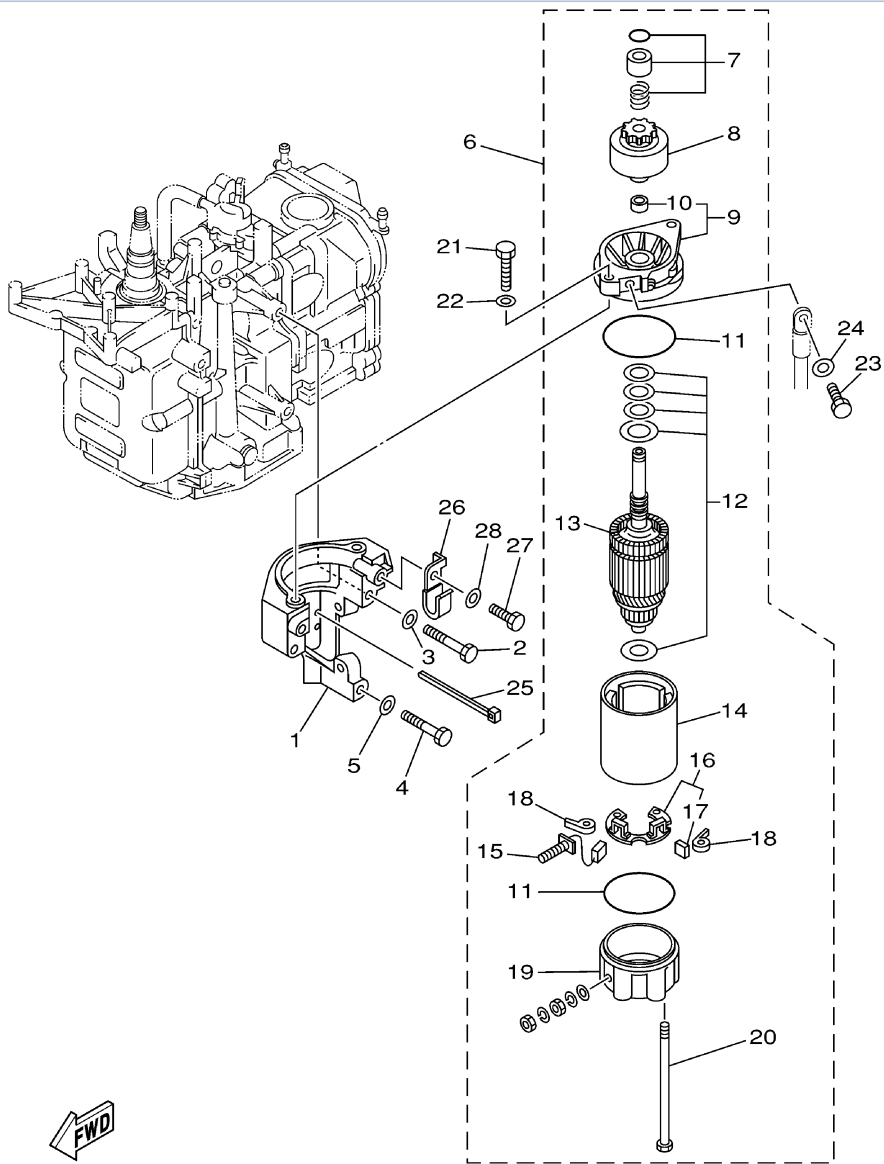
Part Notes

T8ELHA 2002 / ELECTRICAL 3

PART NUMBER	NOTE TEXT
682-82556-00-00 	OEM: This part number is among the Top 100 Most Popular Marine Maintenance Parts as of March 2014.

©2014 Yamaha Motor Corporation, U.S.A. All rights reserved.

T8ELHA 2002 / STARTING MOTOR



68R0010-0150

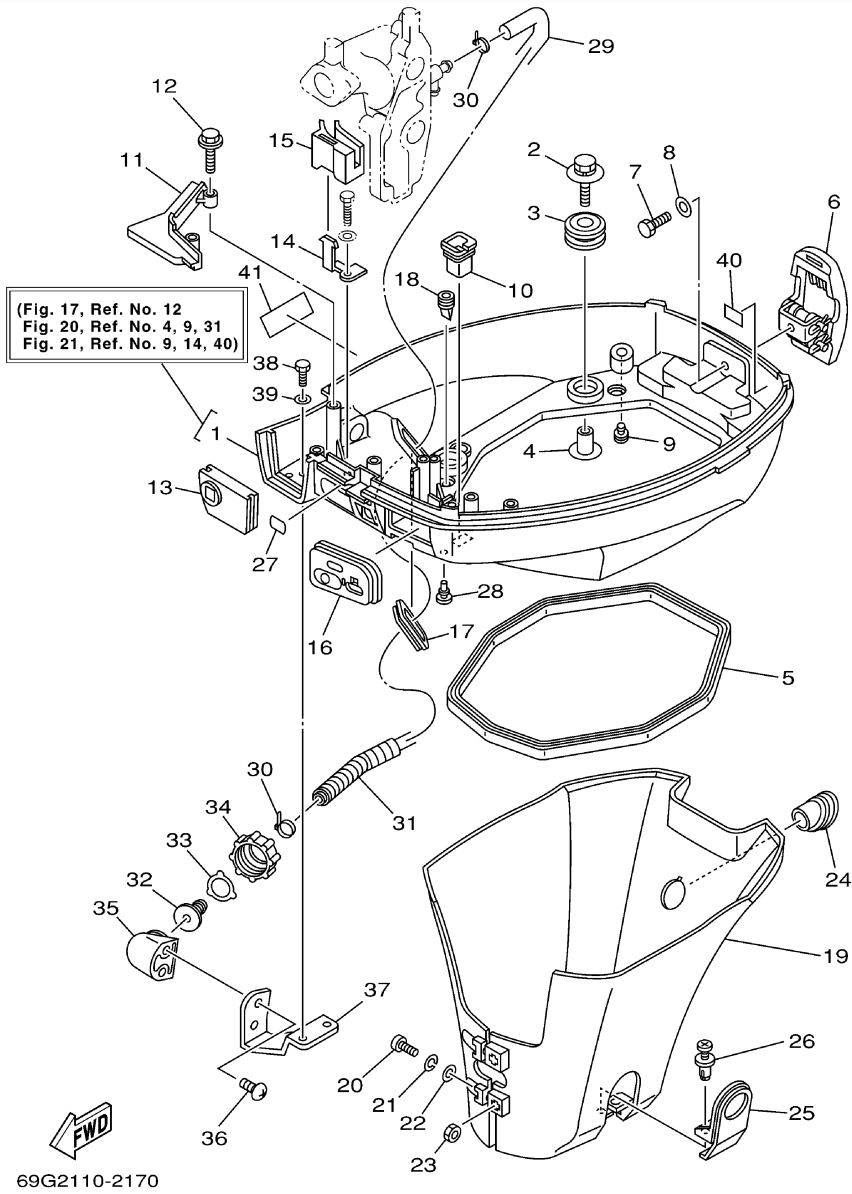
©2014 Yamaha Motor Corporation, U.S.A. All rights reserved.

Part List

T8ELHA 2002 / STARTING MOTOR

REF - NO	PART NUMBER	PART NAME	QUANTITY	REMARKS
1	68T-81822-00-94	BRACKET, STARTING MOTOR	1	
2	97013-08055-00	BOLT	2	
3	92903-08600-00	WASHER, PLATE	2	
4	97013-08040-00	BOLT	1	
5	92903-08600-00	WASHER, PLATE	1	
6	68T-81800-00-00	STARTING MOTOR ASSY	1	
7	68T-81857-00-00	.RETAINER	1	
8	689-81807-12-00	.GEAR ASSY, STARTING MOTOR	1	
9	6F5-81830-11-00	.FRONT BRACKET ASSY	1	
10	689-81831-00-00	..METAL, FRONT	1	
11	689-81847-11-00	.O-RING	2	
12	689-81809-11-00	.WASHER KIT	1	
13	689-81850-12-00	.ARMATURE ASSY	1	
14	689-81810-11-00	.STATOR ASSY	1	
15	689-81811-11-00	.BRUSH 1	1	
16	689-81840-11-00	.BRUSH HOLDER ASSY	1	
17	689-81812-11-00	..BRUSH 2	1	
18	689-81813-10-00	.SPRING, BRUSH	2	
19	689-81820-11-00	.REAR BRACKET ASSY	1	
20	689-81826-10-00	.BOLT	2	
21	97013-08025-00	BOLT	2	
22	92903-08600-00	WASHER, PLATE	2	
23	97013-08016-00	BOLT	1	
24	92903-08600-00	WASHER, PLATE	1	
25	90465-11M10-00	CLAMP	1	
26	90465-08M99-00	CLAMP	1	
27	97095-06012-00	BOLT	1	
28	92995-06600-00	WASHER	1	

T8ELHA 2002 / BOTTOM COWLING



69G2110-2170

©2014 Yamaha Motor Corporation, U.S.A. All rights reserved.


Part List

T8ELHA 2002 / BOTTOM COWLING

REF - NO	PART NUMBER	PART NAME	QUANTITY	REMARKS
1	68T-42710-00-4D	BOTTOM COWLING ASSY	1	WITH TAPPING BOLT
2	68F-85119-00-00	BOLT	4	
3	90480-21M82-00	GROMMET	4	
4	68F-86129-00-00	COLLAR	4	
5	68T-42716-00-00	RUBBER, SEAL 1	1	
6	68T-42801-00-00	COWLING CLAMP COMP.	1	
7	97095-06012-00	BOLT	1	
8	92995-06600-00	WASHER	1	
9	6H3-44391-01-00	NIPPLE, HOSE	1	
10	682-42727-00-00	GROMMET	1	
11	68T-42738-00-4D	PLATE, FITTING	1	
12	90109-06M81-00	BOLT	2	
13	68T-42725-10-00	.GROMMET	1	UR PR (PH/R)
13	68T-42725-00-00	GROMMET	1	UR EH/PH
14	68T-26393-00-00	HOLDER	1	EH/PH
15	68T-26367-00-00	PROTECTOR	1	EH/PH
16	68T-42724-30-00	GROMMET	1	UR EH(EH)
16	69G-42724-50-00	GROMMET	1	UR PH (PH/R)
17	69G-42726-00-00	GROMMET	1	UR PH/PR (PH/R)
17	688-42726-10-00	GROMMET	1	UR EH(EH)
18	65W-42717-00-00	RUBBER, SEAL 2	2	
19	68T-42741-00-00	APRON	1	
20	97880-06030-00	SCREW, PAN HEAD	2	
21	92990-06100-00	..WASHER, SPRING	2	
22	92990-06600-00	WASHER, PLATE	2	
23	95380-06600-00	NUT, HEXAGON	2	
24	68T-42717-00-00	RUBBER, SEAL 2	1	
25	68T-42771-00-00	APRON	1	
26	90338-06M20-00	PLUG	2	
27	65W-84342-00-00	SEAT, EMBLEM	1	
28	90480-06M19-00	GROMMET	1	PR (PH/R)
29	6E5-12481-00-00	PIPE 1	1	FLUSHING KIT
30	90465-11M10-00	CLAMP	2	FLUSHING KIT
31	90447-13M00-00	TUBE	1	FLUSHING KIT
32	6R3-12582-00-00	JOINT, HOSE 2	1	FLUSHING KIT
33	6R3-12583-00-00	GASKET, HOSE JOINT	1	FLUSHING KIT
34	6R3-12581-00-00	JOINT, HOSE 1	1	FLUSHING KIT
35	68T-12572-00-00	ADAPTER	1	FLUSHING KIT
36	97780-60520-00	SCREW, TAPPING	2	FLUSHING KIT
37	68T-12535-10-00	PLATE	1	UR PR (PH/R)
37	68T-12535-00-00	PLATE	1	UR EH/PH
38	97095-06010-00	BOLT	2	UR PR (PH/R)
38	97095-06010-00	BOLT	2	UR EH/PH
39	92995-06600-00	WASHER	2	UR PR (PH/R)
39	92995-06600-00	WASHER	2	UR EH/PH
40	6H8-42791-10-00	MARK 1	1	
41	62Y-13444-40-00	MARK	1	

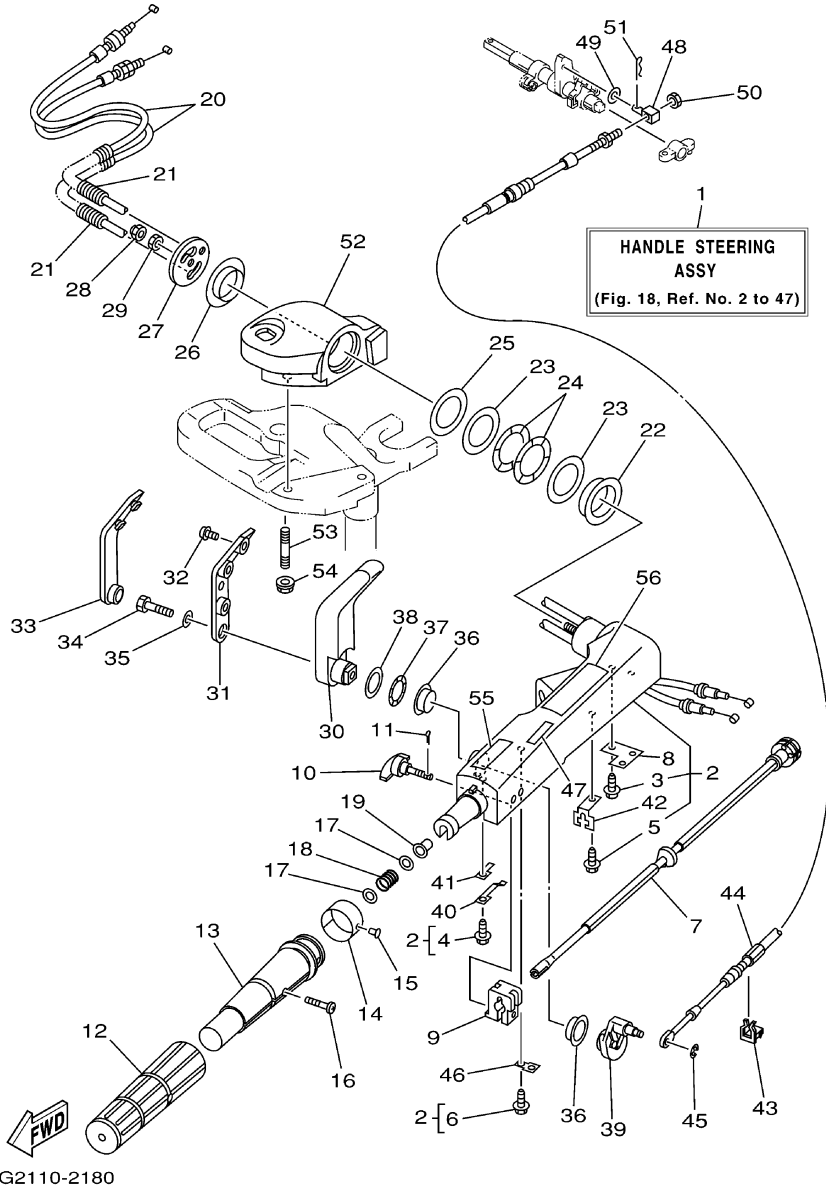
Part Notes

T8ELHA 2002 / BOTTOM COWLING

PART NUMBER	NOTE TEXT
92990-06600-00 	OEM: This part number is among the Top 100 Most Popular Marine Maintenance Parts as of March 2014.

©2014 Yamaha Motor Corporation, U.S.A. All rights reserved.

T8ELHA 2002 / STEERING (FOR EH/PH)



©2014 Yamaha Motor Corporation, U.S.A. All rights reserved.

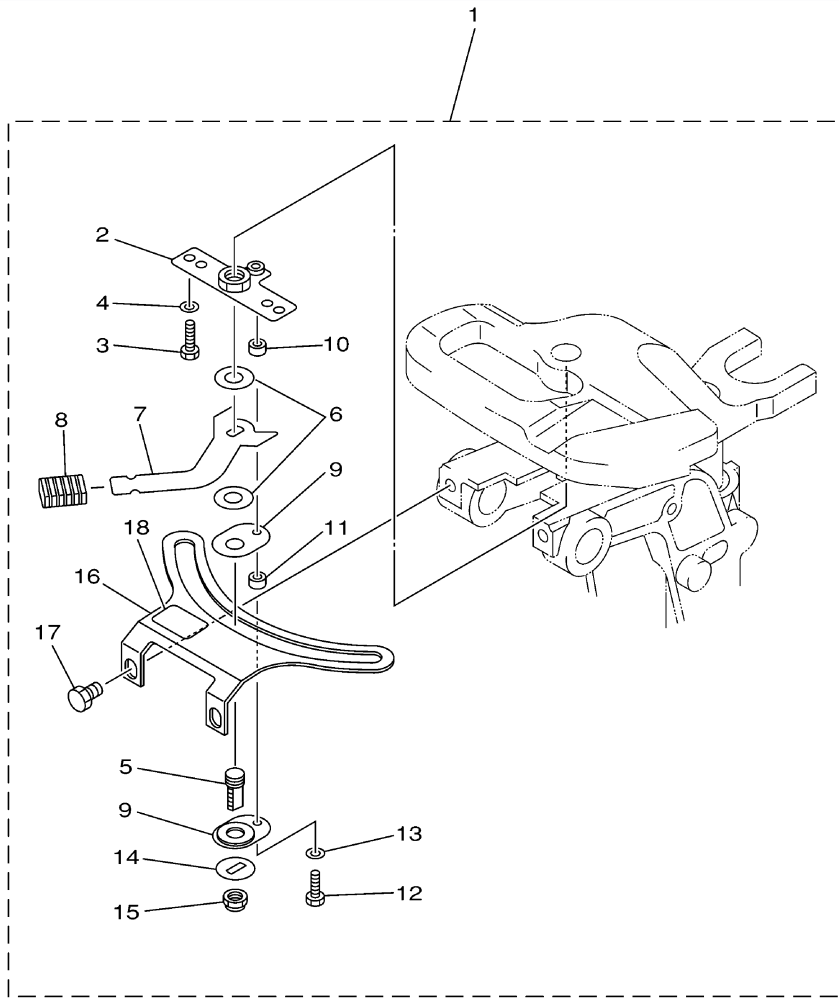
Part List

T8ELHA 2002 / STEERING (FOR EH/PH)

REF - NO	PART NUMBER	PART NAME	QUANTITY	REMARKS
1	69C-W0084-00-4D	HANDLE STEERING ASSY	1	UR PH (PH/R)
1	68T-W0084-10-4D	HANDLE STEERING ASSY	1	UR EH(EH)
2	69C-42101-01-4D	HANDLE, STEERING	1	UR PH (PH/R)
2	66R-42101-01-4D	HANDLE, STEERING	1	UR EH(EH)
3	90109-06M86-00	.BOLT	2	
4	90109-06M80-00	.BOLT	1	
5	90109-06M80-00	.BOLT	1	
6	90109-06M80-00	.BOLT	1	
7	68T-42138-01-00	LEVER, THROTTLE	1	
8	69A-42159-00-00	STAY	1	UR PH (PH/R)
8	65W-42159-00-00	STAY	1	UR EH(EH)
9	6G1-42126-00-00	FRICITION, STEERING HANDLE GRIP	1	
10	65W-42125-00-00	BOLT, FRICTION ADJUSTING	1	
11	91490-16010-00	PIN. COTTER	1	
12	67D-42177-00-00	RUBBER, HANDLE	1	
13	67D-42119-00-00	GRIP, STEERING HANDLE	1	
14	68T-42137-00-00	INDICATOR, THROTTLE	1	
15	90269-02M09-00	RIVET	1	
16	90149-05M13-00	SCREW	1	
17	90201-10M02-00	WASHER, PLATE	2	
18	90501-23215-00	SPRING, COMPRESSION	1	
19	90386-08032-00	BUSH	1	
20	68T-26301-11-00	THROTTLE CABLE ASSY	2	
21	90447-07005-00	TUBE	2	
22	66R-42171-00-00	BUSHING	1	
23	90201-43M00-00	WASHER, PLATE	2	
24	90206-43M22-00	WASHER, WAVE	2	
25	90202-43M57-00	WASHER, PLATE	1	
26	90386-40M99-00	BUSH	1	
27	66M-42131-01-00	COVER, HANDLE STEERING	1	
28	95780-10300-00	NUT, FLANGE	1	
29	95380-10700-00	NUT	1	
30	66R-44111-00-4D	HANDLE, GEAR SHIFT	1	
31	66R-44173-00-00	LEVER, SHIFT CONTROL	1	
32	90159-06M18-00	SCREW, WITH WASHER	3	
33	66R-42129-00-00	BUSHING, RUBBER	1	
34	97095-08030-00	BOLT	1	
35	92995-08600-00	WASHER	1	
36	90386-26MA3-00	BUSH	2	
37	90206-26M25-00	WASHER, WAVE	1	
38	90202-26M59-00	WASHER, PLATE	1	
39	68T-44113-01-00	CAM PLATE, HANDLE	1	
40	66R-44116-00-00	SPRING	1	
41	66R-44118-00-00	BRACKET	1	
42	66R-48538-00-00	CLAMP, CABLE 1	1	
43	63D-48538-00-00	CLAMP, CABLE 1	1	
44	68T-48321-00-00	CABLE	1	
45	99080-04600-00	CIRCLIP	1	
46	69C-44114-00-00	STOPPER	1	UR PH (PH/R)
46	66R-44114-00-00	STOPPER	1	UR EH(EH)
47	6E0-44191-11-00	INDICATOR, SHIFT	1	
48	66R-48344-00-00	CABLE END, REMOTE CONTROL	1	
49	90201-06M62-00	WASHER, PLATE	1	
50	90170-05M38-00	NUT	1	
51	91490-20012-00	PIN. COTTER	1	
52	68T-42121-10-4D	BRACKET	1	
53	90116-10M28-00	BOLT, STUD	2	
54	90179-10004-00	NUT	2	
55	6E0-83627-41-00	LABEL, CAUTION 7	1	

56	6G9-1571Y-40-00	MARK, CAUTION	1
----	-----------------	---------------	---

T8ELHA 2002 / STEERING FRICTION



68R1100-2170

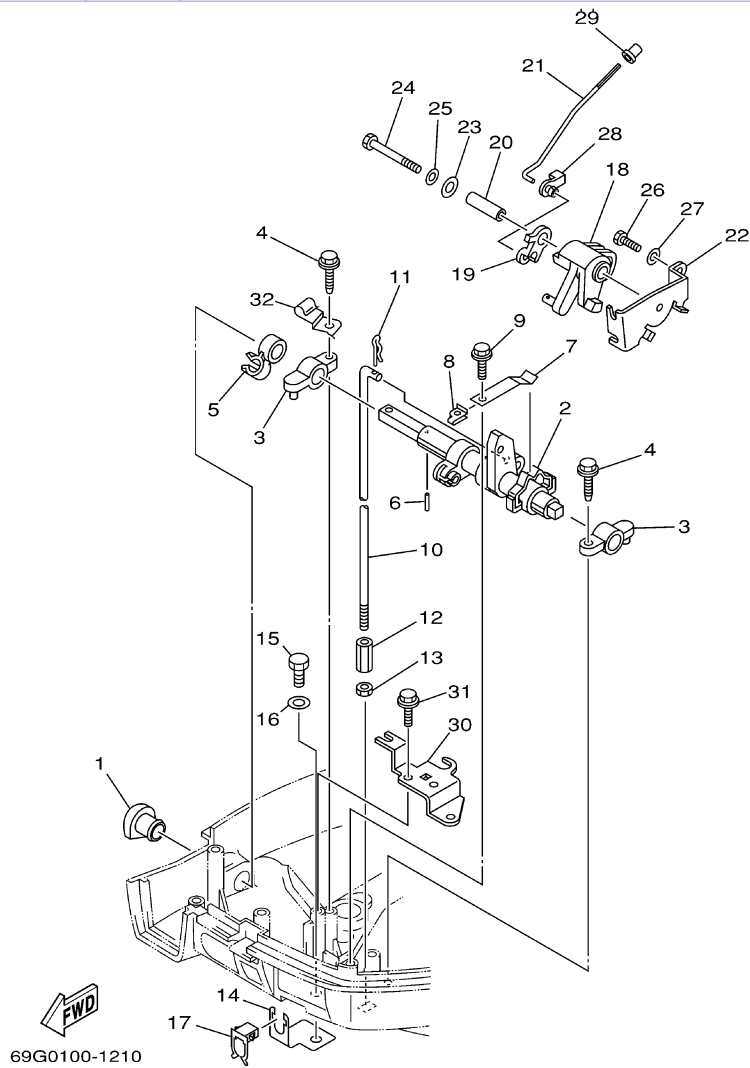
©2014 Yamaha Motor Corporation, U.S.A. All rights reserved.

Part List

T8ELHA 2002 / STEERING FRICTION

REF - NO	PART NUMBER	PART NAME	QUANTITY	REMARKS
1	69G-42508-00-00	STEERING FRICTION ASSY	1	UR PH (PH/R)
1	68T-42508-00-00	STEERING FRICTION ASSY	1	UR EH(EH)
2	68T-42525-01-00	.PLATE, FRICTION	1	
3	97095-05020-00	.BOLT	2	
4	92995-05600-00	.WASHER	2	
5	67C-42562-00-00	.SHAFT, STEERING LOCK	1	
6	90202-10M56-00	.WASHER, PLATE	2	
7	68T-42561-00-00	.KNOB, STEERING LOCK	1	
8	689-43633-00-00	.COVER, TILT LEVER	1	
9	65W-42528-00-00	.PLATE, FRICTION	2	
10	90387-05M05-00	.COLLAR	1	
11	90387-05M11-00	.COLLAR	1	
12	97095-05020-00	.BOLT	1	
13	92995-05600-00	.WASHER	1	
14	90209-10M26-00	.WASHER	1	
15	90185-10M14-00	.NUT, SELF-LOCKING	1	
16	68T-42527-00-00	.PLATE, FRICTION	1	
17	90109-08M91-00	.BOLT	2	
18	68T-43155-00-00	.MARK 1	1	FOR 68T-42508-00(EH)

T8ELHA 2002 / CONTROL 1 (FOR EH/PH)



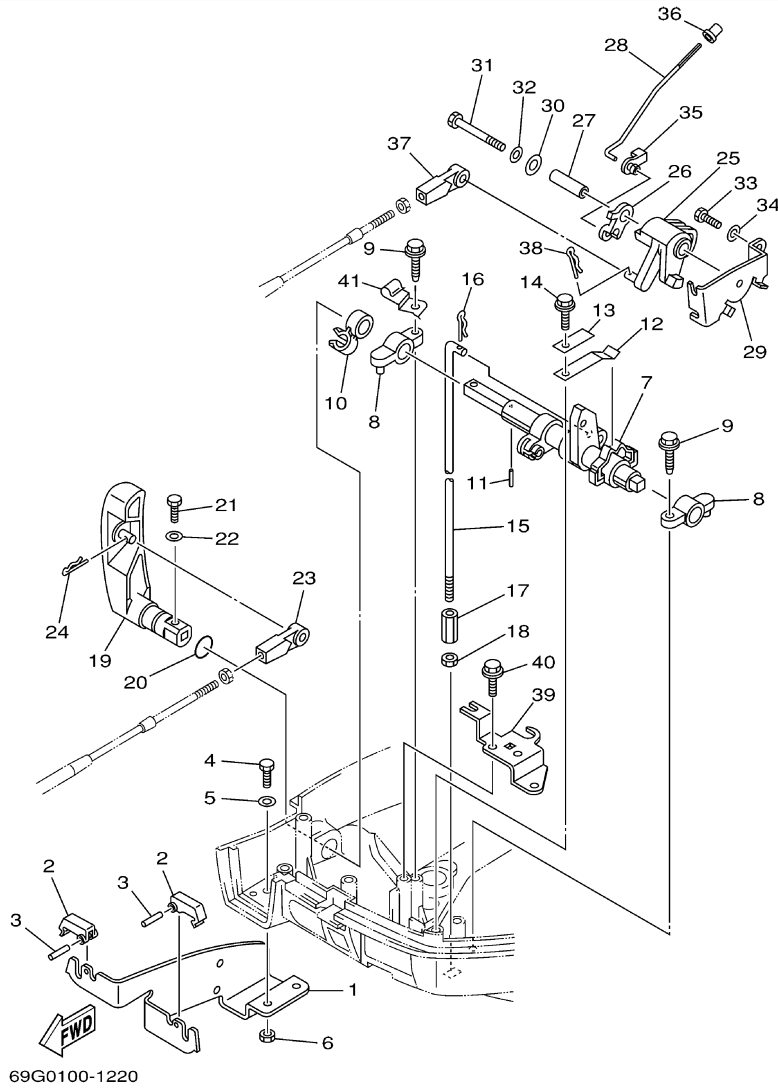
©2014 Yamaha Motor Corporation, U.S.A. All rights reserved.

Part List

T8ELHA 2002 / CONTROL 1 (FOR EH/PH)

REF - NO	PART NUMBER	PART NAME	QUANTITY	REMARKS
1	68T-42726-00-00	GROMMET	1	
2	68T-44121-01-00	LEVER, SHIFT ROD	1	
3	6G1-41662-01-94	BRACKET 2	2	
4	90109-06M81-00	BOLT	2	
5	90464-10M60-00	CLAMP	1	
6	91690-30014-00	PIN, SPRING	1	
7	65W-44116-00-00	SPRING	1	
8	66R-44117-00-00	BRACKET	1	
9	90109-06M86-00	BOLT	1	
10	68T-44143-10-00	ROD, SHIFT	1	
11	90468-18001-00	CLIP	1	
12	90170-06015-00	NUT	1	
13	95380-06700-00	NUT	1	
14	68T-48538-00-00	CLAMP, CABLE 1	1	
15	97095-06012-00	BOLT	1	
16	92995-06600-00	WASHER	1	
17	63D-48538-00-00	CLAMP, CABLE 1	1	
18	68T-41638-00-00	PULLEY	1	
19	68T-41283-00-00	LEVER, FREE ACCEL.	1	
20	90387-06M59-00	COLLAR	1	
21	68T-41211-00-00	LINK, ACCEL.	1	
22	68T-14497-00-00	STAY, THROTTLE WIRE	1	
23	90201-06M62-00	WASHER, PLATE	1	
24	97095-06045-00	.BOLT	1	
25	92995-06600-00	WASHER	1	
26	97095-06012-00	BOLT	1	
27	92995-06600-00	WASHER	1	
28	661-41262-02-00	JOINT, CHOKE LEVER	1	
29	647-14395-60-00	CAP, OVERFLOW PIPE	1	
30	68T-15774-10-00	STAY 4	1	
31	90109-06M86-00	BOLT	2	
32	90465-08027-00	CLAMP	1	PH (PH/R)

T8ELHA 2002 / CONTROL 2 (FOR PR)



69G0100-1220

©2014 Yamaha Motor Corporation, U.S.A. All rights reserved.



Part List

T8ELHA 2002 / CONTROL 2 (FOR PR)

REF - NO	PART NUMBER	PART NAME	QUANTITY	REMARKS
1	68T-48531-00-00	.BRACKET, REMOTE CONTROL 1	1	(PH/R)
2	682-48538-50-00	.CLAMP, CABLE 1	2	(PH/R)
3	91690-30012-00	.PIN, SPRING	2	(PH/R)
4	97095-06012-00	BOLT	2	(PH/R)
5	92995-06600-00	WASHER	2	(PH/R)
6	95380-06600-00	NUT, HEXAGON	2	(PH/R)
7	68T-44121-01-00	LEVER, SHIFT ROD	1	(PH/R)
8	6G1-41662-01-94	BRACKET 2	2	(PH/R)
9	90109-06M81-00	BOLT	2	(PH/R)
10	90464-10M60-00	CLAMP	1	(PH/R)
11	91690-30014-00	PIN, SPRING	1	(PH/R)
12	65W-44116-00-00	SPRING	1	(PH/R)
13	66R-44114-00-00	STOPPER	1	(PH/R)
14	90109-06M86-00	BOLT	1	(PH/R)
15	68T-44143-10-00	ROD, SHIFT	1	(PH/R)
16	90468-18001-00	CLIP	1	(PH/R)
17	90170-06015-00	NUT	1	(PH/R)
18	95380-06700-00	NUT	1	(PH/R)
19	68T-44111-10-00	.HANDLE, GEAR SHIFT	1	(PH/R)
20	93210-12327-00	.O-RING	1	(PH/R)
21	97095-05016-00	.BOLT	1	(PH/R)
22	92995-05600-00	WASHER	1	(PH/R)
23	663-48344-00-00	.CABLE END, REMOTE CONTROL	1	(PH/R)
24	90468-18008-00	CLIP	1	(PH/R)
25	68T-41638-00-00	PULLEY	1	(PH/R)
26	68T-41283-00-00	LEVER, FREE ACCEL.	1	(PH/R)
27	90387-06M59-00	COLLAR	1	(PH/R)
28	68T-41211-00-00	LINK, ACCEL.	1	(PH/R)
29	68T-14497-00-00	STAY, THROTTLE WIRE	1	(PH/R)
30	90201-06M62-00	WASHER, PLATE	1	(PH/R)
31	97095-06045-00	.BOLT	1	(PH/R)
32	92995-06600-00	WASHER	1	(PH/R)
33	97095-06012-00	BOLT	1	(PH/R)
34	92995-06600-00	WASHER	1	(PH/R)
35	661-41262-02-00	JOINT, CHOKE LEVER	1	(PH/R)
36	647-14395-60-00	CAP, OVERFLOW PIPE	1	(PH/R)
37	663-48344-00-00	.CABLE END, REMOTE CONTROL	1	(PH/R)
38	90468-18008-00	CLIP	1	(PH/R)
39	68T-15774-10-00	STAY 4	1	(PH/R)
40	90109-06M86-00	BOLT	2	(PH/R)
41	90465-08027-00	CLAMP	1	(PH/R)

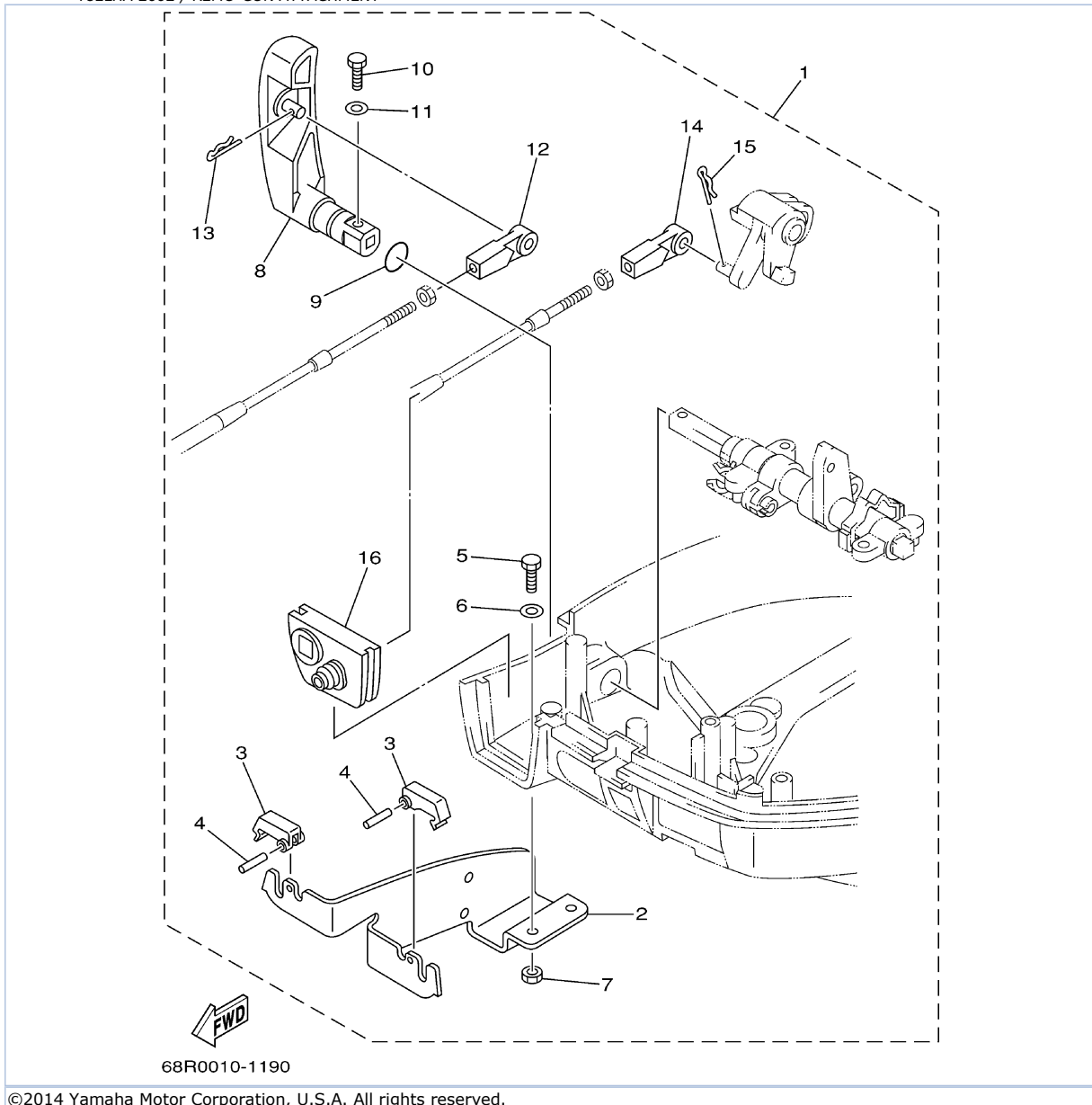
Part Notes

T8ELHA 2002 / CONTROL 2 (FOR PR)

PART NUMBER		NOTE TEXT
90468-18008-00		OEM: This part number is among the Top 100 Most Popular Marine Maintenance Parts as of March 2014.
90468-18008-00		OEM: This part number is among the Top 100 Most Popular Marine Maintenance Parts as of March 2014.

©2014 Yamaha Motor Corporation, U.S.A. All rights reserved.

T8ELHA 2002 / REMO-CON ATTACHMENT



©2014 Yamaha Motor Corporation, U.S.A. All rights reserved.



Part List

T8ELHA 2002 / REMO-CON ATTACHMENT

REF - NO	PART NUMBER	PART NAME	QUANTITY	REMARKS
1	68R-48501-00-00	REMOTE CONT. ATTACHMENT ASSY.	1	AP EH/PH
2	68T-48531-00-00	.BRACKET, REMOTE CONTROL 1	1	
3	682-48538-50-00	.CLAMP, CABLE 1	2	
4	91690-30012-00	.PIN, SPRING	2	
5	97095-06012-00	.BOLT	2	
6	92995-06600-00	.WASHER	2	
7	95380-06600-00	.NUT, HEXAGON	2	
8	68T-44111-10-00	.HANDLE, GEAR SHIFT	1	
9	93210-12327-00	.O-RING	1	
10	97095-05016-00	.BOLT	1	
11	92995-05600-00	.WASHER	1	
12	663-48344-00-00	.CABLE END, REMOTE CONTROL	1	
13	90468-18008-00	.CLIP	1	
14	663-48344-00-00	.CABLE END, REMOTE CONTROL	1	
15	90468-18008-00	.CLIP	1	
16	68T-42725-10-00	.GROMMET	1	

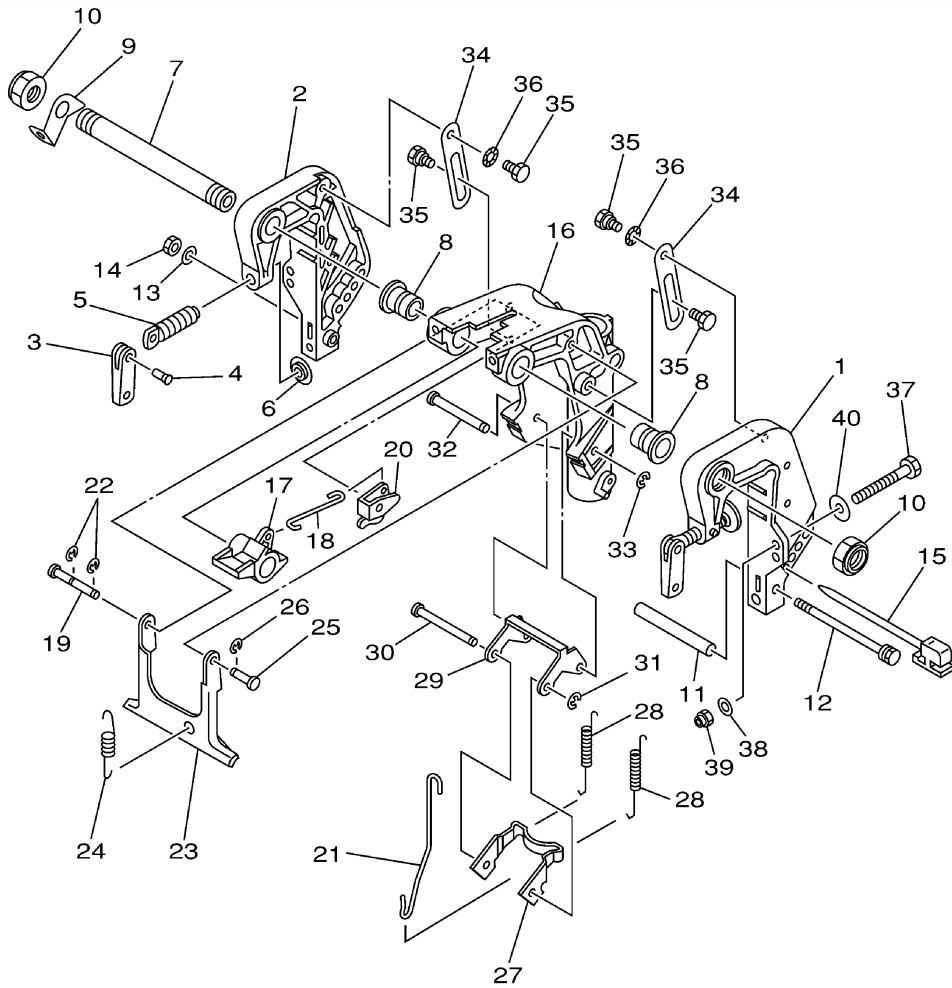
Part Notes

T8ELHA 2002 / REMO-CON ATTACHMENT

PART NUMBER	NOTE TEXT
90468-18008-00 	OEM: This part number is among the Top 100 Most Popular Marine Maintenance Parts as of March 2014.
90468-18008-00 	OEM: This part number is among the Top 100 Most Popular Marine Maintenance Parts as of March 2014.

©2014 Yamaha Motor Corporation, U.S.A. All rights reserved.

T8ELHA 2002 / BRACKET 1 (FR EH)



69G0010-1180

©2014 Yamaha Motor Corporation, U.S.A. All rights reserved.


Part List

T8ELHA 2002 / BRACKET 1 (FR EH)

REF - NO	PART NUMBER	PART NAME	QUANTITY	REMARKS
1	68T-43111-01-4D	BRACKET, CLAMP	1	(EH)
2	68T-43112-01-4D	BRACKET, CLAMP	1	(EH)
3	6E0-43118-01-00	HANDLE, TRANSOM CLAMP	2	(EH)
4	90243-04M01-00	PIN	2	(EH)
5	677-43116-01-00	SCREW, TRANSOM CLAMP	2	(EH)
6	648-43114-01-00	PAD, TRANSOM CLAMP	2	(EH)
7	68T-43131-00-00	BOLT, CLAMP BRACKET (L:215.5MM)	1	(EH)
8	90386-22MA4-00	BUSH	2	(EH)
9	66R-43113-00-00	PLATE, CLAMP BRACKET	1	(EH)
10	90185-22043-00	NUT, SELF-LOCKING	2	(EH)
11	90387-06M13-00	COLLAR	1	(EH)
12	90101-06M18-00	BOLT	1	(EH)
13	92990-06600-00	WASHER, PLATE	1	(EH)
14	95380-06700-00	NUT	1	(EH)
15	6L2-43160-00-00	TILT ROD ASSY	1	(EH)
16	68T-43311-10-4D	BRACKET, SWIVEL 1	1	(EH)
17	68T-43631-00-00	LEVER, TILT	1	(EH)
18	68T-43616-00-00	ROD, TILT LOCK	1	(EH)
19	68T-43646-00-00	SHAFT, LEVER	1	(EH)
20	68T-43641-00-00	LEVER, TILT	1	(EH)
21	68T-43617-00-00	ROD, TILT LOCK	1	(EH)
22	99080-05600-00	CIRCLIP	2	(EH)
23	68T-43350-00-00	RECEIVER ASSY	1	(EH)
24	90506-20005-00	SPRING, TENSION	1	(EH)
25	63V-43191-00-00	SHAFT, STOPPER	1	(EH)
26	99080-05600-00	CIRCLIP	1	(EH)
27	68T-43614-00-00	PLATE, TILT LOCK	1	(EH)
28	90506-23003-00	SPRING, TENSION	2	(EH)
29	68T-43615-00-00	PLATE, TILT LOCK	1	(EH)
30	68T-43611-00-00	SHAFT, TILT LOCK	1	(EH)
31	93430-04M03-00	CIRCLIP	1	(EH)
32	68T-43659-00-00	SHAFT, REVERSE LOCK	1	(EH)
33	99080-05600-00	CIRCLIP	1	(EH)
34	68T-43627-00-00	STOPPER	2	(EH)
35	90109-06M84-00	BOLT	4	(EH)
36	90206-10M24-00	WASHER, WAVE	2	(EH)
37	90101-08M88-00	BOLT	2	(EH)
38	92995-08600-00	WASHER	2	(EH)
39	90185-08057-00	NUT, SELF-LOCKING	2	(EH)
40	90201-08MA4-00	WASHER, PLATE	2	(EH)

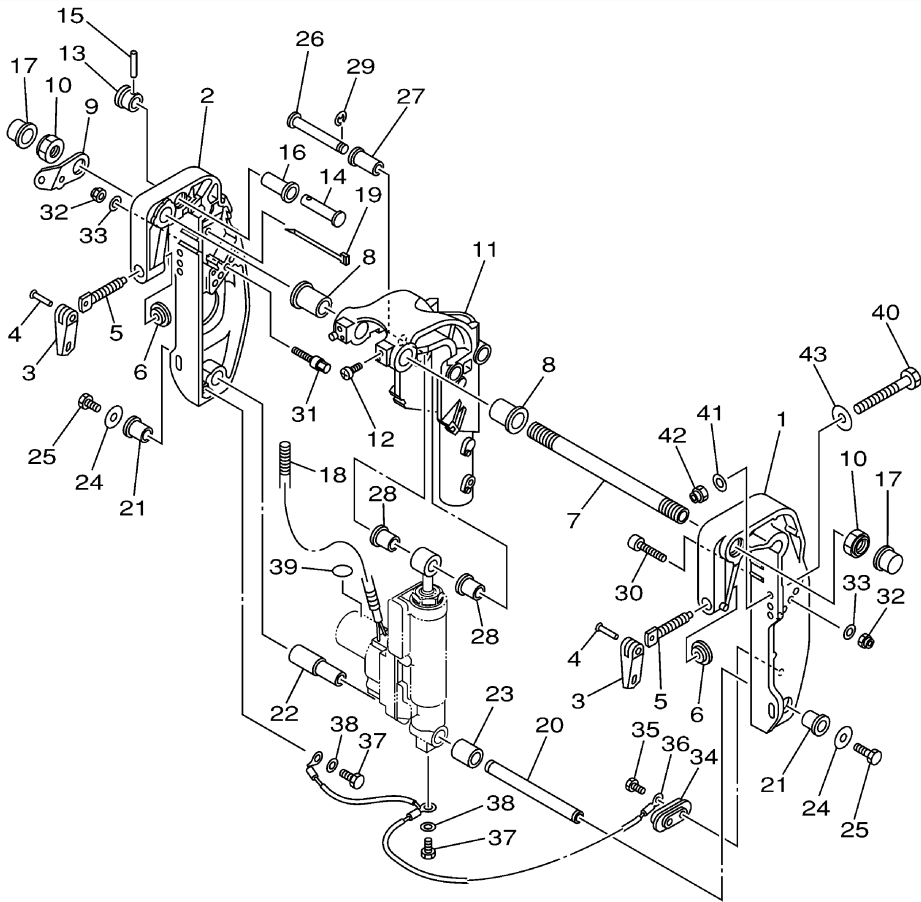
Part Notes

T8ELHA 2002 / BRACKET 1 (FR EH)

PART NUMBER	NOTE TEXT
92990-06600-00 	OEM: This part number is among the Top 100 Most Popular Marine Maintenance Parts as of March 2014.

©2014 Yamaha Motor Corporation, U.S.A. All rights reserved.

T8ELHA 2002 / BRACKET 2 (FOR PH/PR)



69G2110-2240

©2014 Yamaha Motor Corporation, U.S.A. All rights reserved.


Part List

T8ELHA 2002 / BRACKET 2 (FOR PH/PR)

REF - NO	PART NUMBER	PART NAME	QUANTITY	REMARKS
1	69A-43111-00-4D	BRACKET, CLAMP 1	1	(PH/R)
2	69A-43112-00-4D	BRACKET, CLAMP 2	1	(PH/R)
3	6E0-43118-01-00	HANDLE, TRANSOM CLAMP	2	(PH/R)
4	90243-04M01-00	PIN	2	(PH/R)
5	6E7-43116-00-00	SCREW, TRANSOM CLAMP	2	(PH/R)
6	648-43114-01-00	PAD, TRANSOM CLAMP	2	(PH/R)
7	69A-43131-00-00	BOLT, CLAMP BRACKET	1	(PH/R)
8	90386-22MA4-00	BUSH	2	(PH/R)
9	69A-43113-00-00	PLATE, CLAMP BRACKET	1	(PH/R)
10	90185-22043-00	NUT, SELF-LOCKING	2	(PH/R)
11	69G-43311-10-4D	BRACKET, SWIVEL 1	1	(PH/R)
12	97885-08010-00	SCREW, PAN HEAD	2	(PH/R)
13	65W-43192-00-00	KNOB, STOPPER	1	(PH/R)
14	65W-43191-00-00	SHAFT, STOPPER	1	(PH/R)
15	91690-30018-00	PIN, SPRING	1	(PH/R)
16	90386-14MA1-00	BUSH	1	(PH/R)
17	6G5-43145-01-00	CAP, CLAMP BRACKET	2	(PH/R)
18	90447-10001-00	TUBE	1	(PH/R)
19	90465-13M97-00	CLAMP	1	(PH/R)
20	69G-43818-00-00	PIN, LOWER SHOCK MOUNT	1	(PH/R)
21	90386-16MA7-00	BUSH	2	(PH/R)
22	90386-16MA8-00	BUSH	1	(PH/R)
23	90387-16M02-00	COLLAR	1	(PH/R)
24	90201-08M00-00	WASHER, PLATE	2	(PH/R)
25	97080-08016-00	BOLT	2	(PH/R)
26	90249-12M36-00	PIN	1	(PH/R)
27	90381-12M10-00	BUSH, SOLID	1	(PH/R)
28	90381-12M11-00	BUSH, SOLID	2	(PH/R)
29	93430-10M00-00	CIRCLIP	1	(PH/R)
30	90110-08M05-00	BOLT, HEXAGON SOCKET HEAD	1	(PH/R)
31	90109-08010-00	BOLT	1	(PH/R)
32	90185-08057-00	NUT, SELF-LOCKING	2	(PH/R)
33	92990-08600-00	..WASHER, PLATE	2	(PH/R)
34	65W-45251-00-00	ANODE	1	(PH/R)
35	90101-06020-00	BOLT	2	(PH/R)
36	63V-82127-00-00	WIRE, LEAD 2	1	(PH/R)
37	97095-06010-00	BOLT	2	(PH/R)
38	92995-06600-00	WASHER	2	(PH/R)
39	69A-43155-00-00	MARK 1	1	(PH/R)
40	90101-08M88-00	BOLT	2	(PH/R)
41	92995-08600-00	WASHER	2	(PH/R)
42	90185-08057-00	NUT, SELF-LOCKING	2	(PH/R)
43	90201-08MA4-00	WASHER, PLATE	2	(PH/R)

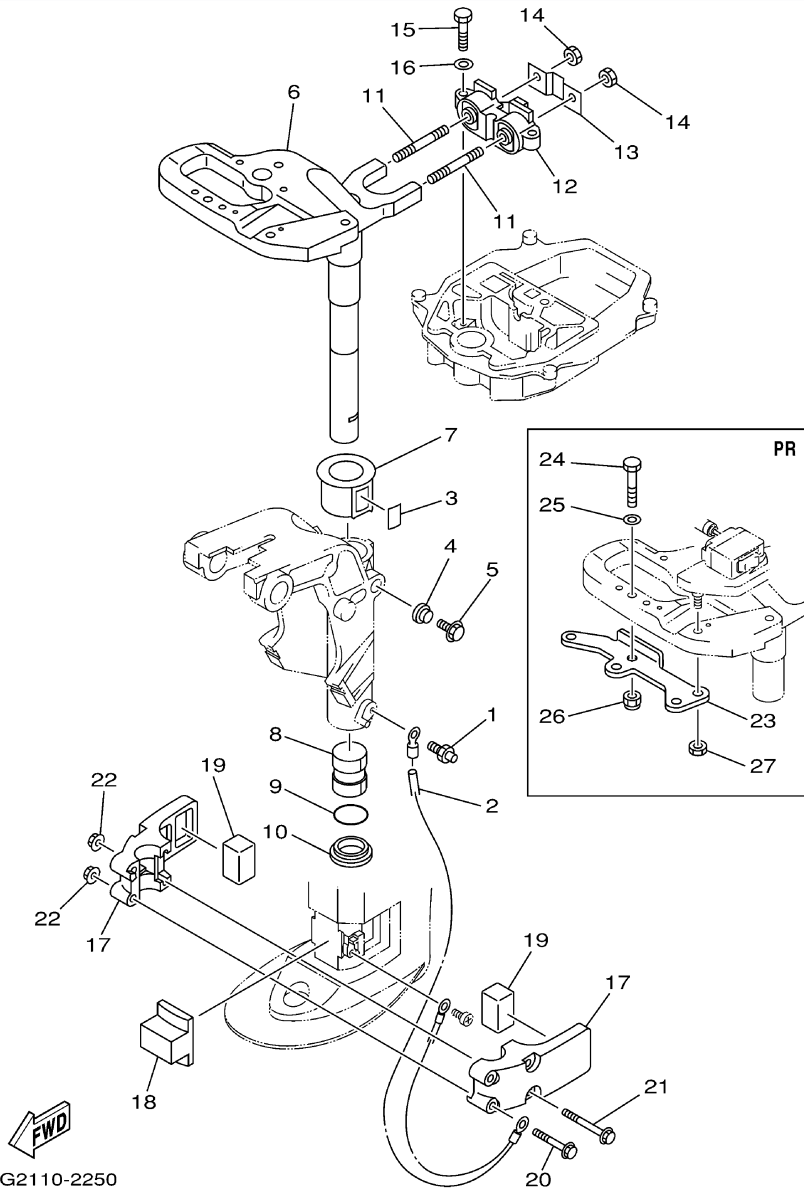
Part Notes

T8ELHA 2002 / BRACKET 2 (FOR PH/PR)

PART NUMBER	NOTE TEXT
65W-45251-00-00 	OEM: This part number is among the Top 100 Most Popular Marine Maintenance Parts as of March 2014.

©2014 Yamaha Motor Corporation, U.S.A. All rights reserved.

T8ELHA 2002 / BRACKET 3



69G2110-2250



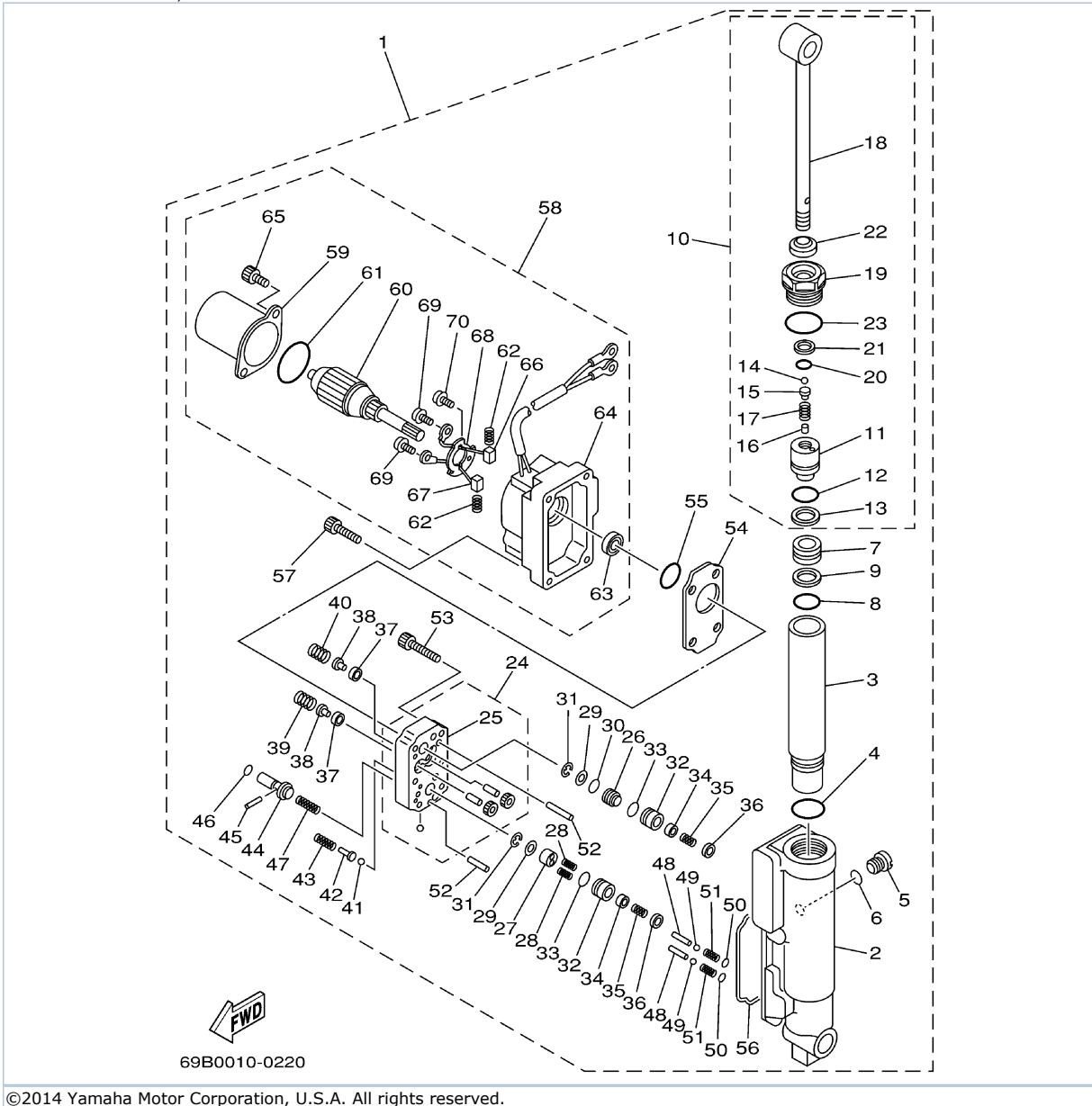
©2014 Yamaha Motor Corporation, U.S.A. All rights reserved.

Part List

T8ELHA 2002 / BRACKET 3

REF - NO	PART NUMBER	PART NAME	QUANTITY	REMARKS
1	93700-06M03-00	NIPPLE, GREASE	1	
2	68T-82127-00-00	WIRE, LEAD 2	1	
3	63V-42528-00-00	PLATE, FRICTION	1	
4	689-43373-01-00	SEAL, DAMPER	1	
5	90105-06M07-00	.BOLT, FLANGE	1	
6	68T-42511-11-4D	BRACKET, STEERING	1	
7	63V-42537-00-00	BUSHING, PIVOT SHAFT	1	
8	90386-30048-00	BUSH	1	
9	93210-29M94-00	O-RING	1	
10	90386-30M60-00	BUSH	1	
11	90116-08M54-00	BOLT, STUD	2	
12	68T-44517-10-94	MOUNT RUBBER	1	
13	68T-44526-00-00	PLATE	1	
14	95380-08600-00	NUT	2	
15	97075-06025-00	BOLT	2	
16	92995-06600-00	WASHER	2	
17	68T-44551-00-4D	HOUSING, LOWER MOUNT RUBBER 1	2	
18	68T-44557-00-00	MOUNT DAMPER, LOWER FRONT	1	
19	682-44555-00-00	MOUNT DAMPER, LOWER SIDE	2	
20	90119-06012-00	BOLT, WITH WASHER	2	
21	90119-06013-00	BOLT, WITH WASHER	2	
22	90179-06M28-00	NUT	4	
23	69G-48511-00-00	HOOK, STEERING	1	PR (PH/R)
24	97075-08035-00	BOLT	1	PR (PH/R)
25	92995-08600-00	WASHER	1	PR (PH/R)
26	90185-08057-00	NUT, SELF-LOCKING	1	PR (PH/R)
27	90185-06M07-00	NUT, SELF-LOCKING	1	PR (PH/R)

T8ELHA 2002 / POWER TILT ASSY



©2014 Yamaha Motor Corporation, U.S.A. All rights reserved.

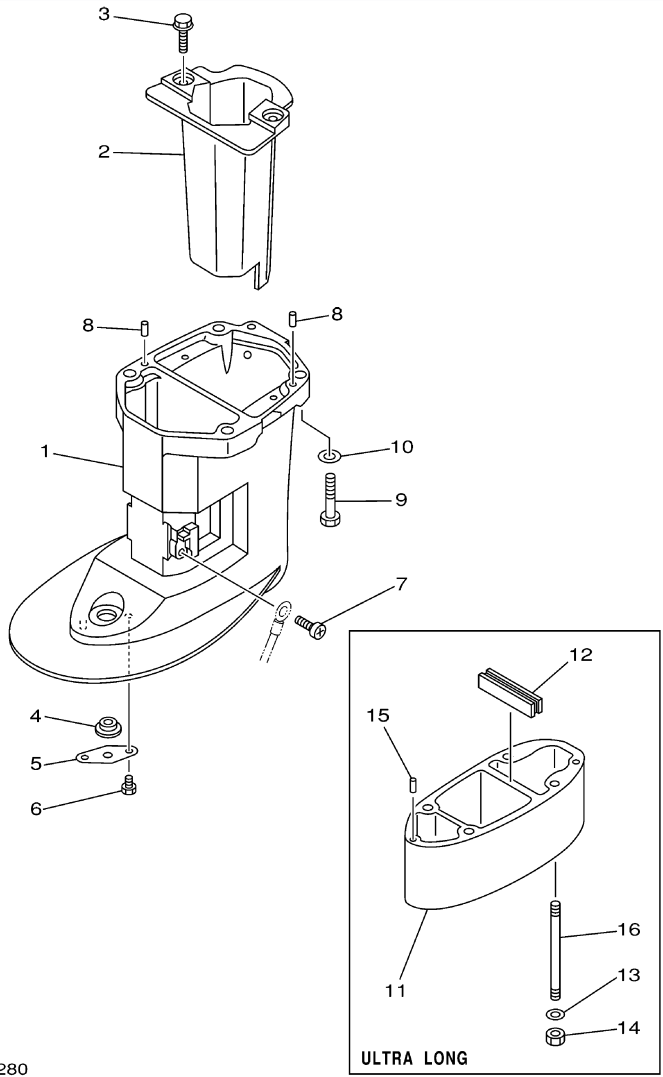
Part List

T8ELHA 2002 / POWER TILT ASSY

REF - NO	PART NUMBER	PART NAME	QUANTITY	REMARKS
1	69G-43840-00-4D	POWER TILT ASSY	1	PH/PR (PH/R)
2	69A-4380K-00-00	.CYLINDER, TILT SUB ASSY	1	(PH/R)
3	69A-22471-00-00	.CASE, CYLINDER	1	(PH/R)
4	93210-27666-00	.O-RING	1	(PH/R)
5	6H1-4388E-11-00	.PLUG, TAPER SCREW	1	(PH/R)
6	93210-07003-00	.O-RING	1	(PH/R)
7	69A-43814-00-00	.PISTON, FREE	1	(PH/R)
8	93210-21276-00	.O-RING	1	(PH/R)
9	69A-43872-00-00	.RING, BACK UP	1	(PH/R)
10	69A-43810-00-00	.TILT PISTON SUB ASSY	1	(PH/R)
11	69A-4380D-00-00	..PISTON COMP	1	(PH/R)
12	93210-21276-00	..O-RING	1	(PH/R)
13	69A-43872-00-00	..RING, BACK UP	1	(PH/R)
14	93505-32038-00	..BALL	1	(PH/R)
15	65W-4386A-00-00	..PIN, ABSORBER VALVE	1	(PH/R)
16	93604-06136-00	..PIN, DOWEL	1	(PH/R)
17	69A-43857-00-00	..SPRING, ABSORBER VALVE	1	(PH/R)
18	69A-43801-00-00	..ROD	1	(PH/R)
19	69A-43811-00-00	..SCREW, CYLINDER END	1	(PH/R)
20	6H1-43866-00-00	..O-RING	1	(PH/R)
21	69A-43871-00-00	..RING, BACK UP	1	(PH/R)
22	69A-43812-00-00	..SEAL, DUST	1	(PH/R)
23	69A-43869-00-00	..O-RING	1	(PH/R)
24	69A-43830-00-00	.GEAR PUMP ASSY	1	(PH/R)
25	69A-4380C-00-00	..GEAR HOUSING ASSY	1	(PH/R)
26	69A-43841-00-00	.PISTON, SHUTTLE	1	(PH/R)
27	69A-4384M-00-00	.PISTON, SHUTTLE 2	1	(PH/R)
28	62Y-43894-00-00	.SPRING, SHUTTLE RETURN	2	(PH/R)
29	69A-4384F-00-00	.SEAL, MAIN VALVE	2	(PH/R)
30	6H1-43883-00-00	.O-RING	1	(PH/R)
31	99001-03600-00	.CIRCLIP	2	(PH/R)
32	69A-4382G-00-00	.VALVE SEAT	2	(PH/R)
33	93210-12N52-00	.O-RING	2	(PH/R)
34	6T4-43808-00-00	.SEAT VALVE COMP 1	2	(PH/R)
35	6T4-43853-00-00	.SPRING, MAIN VALVE	2	(PH/R)
36	6H1-43816-00-00	.FILTER 1	2	(PH/R)
37	6H1-4384G-11-00	.SEAL, RELIEF VALVE	2	(PH/R)
38	6H1-43844-10-00	.PIN, VALVE SUPPORT	2	(PH/R)
39	69A-43855-00-00	.SPRING, UP RELIEF	1	(PH/R)
40	6H1-43856-10-00	.SPRING, DOWN RELIEF	1	(PH/R)
41	93501-08001-00	.BALL	2	(PH/R)
42	69A-4386A-00-00	.PIN, ABSORBER VALVE	2	(PH/R)
43	69A-43824-00-00	.SPRING, DOWN RELIEF 2	2	(PH/R)
44	69A-43848-00-00	.ROD, MANUAL RELEASE	1	(PH/R)
45	93602-15250-00	.PIN, DOWEL	1	(PH/R)
46	93210-06001-00	.O-RING	1	(PH/R)
47	69A-43854-00-00	.SPRING, MANUAL RELEASE	1	(PH/R)
48	69A-4381G-00-00	.PIN 1	2	(PH/R)
49	93501-08001-00	.BALL	2	(PH/R)
50	6H1-43883-00-00	.O-RING	2	(PH/R)
51	69A-4384H-00-00	.SPRING	2	(PH/R)
52	93606-14081-00	.PIN, DOWEL	2	(PH/R)
53	91317-05025-00	.BOLT	6	(PH/R)
54	69A-43816-00-00	.FILTER 1	1	(PH/R)
55	N35-43862-10-00	.O-RING	1	(PH/R)
56	69A-23129-00-00	.GASKET, DRAIN PLUG	1	(PH/R)
57	69A-43878-00-00	.BOLT, SOCKET	4	(PH/R)
58	69G-43880-00-00	.MOTOR ASSY	1	(PH/R)
59	65W-43804-00-00	..STATOR ASSY	1	(PH/R)
60	65W-43805-00-00	..ARMATURE ASSY	1	(PH/R)

61	65W-43869-00-00	..O-RING	1	(PH/R)
62	65W-4386K-00-00	..SPRING, BRUSH	2	(PH/R)
63	65W-43882-00-00	..OIL SEAL	1	(PH/R)
64	69G-43881-00-00	..FRAME, END	1	(PH/R)
65	65W-43887-00-00	..BOLT	2	(PH/R)
66	65W-43892-00-00	..BRUSH 2	1	(PH/R)
67	65W-43891-00-00	..BRUSH 1	1	(PH/R)
68	65W-4380F-00-00	..PLATE, BRUSH HOLDER	1	(PH/R)
69	65W-43879-00-00	..SCREW, WITH WASHER	2	(PH/R)
70	65W-4388E-00-00	..BOLT	1	(PH/R)

T8ELHA 2002 / UPPER CASING

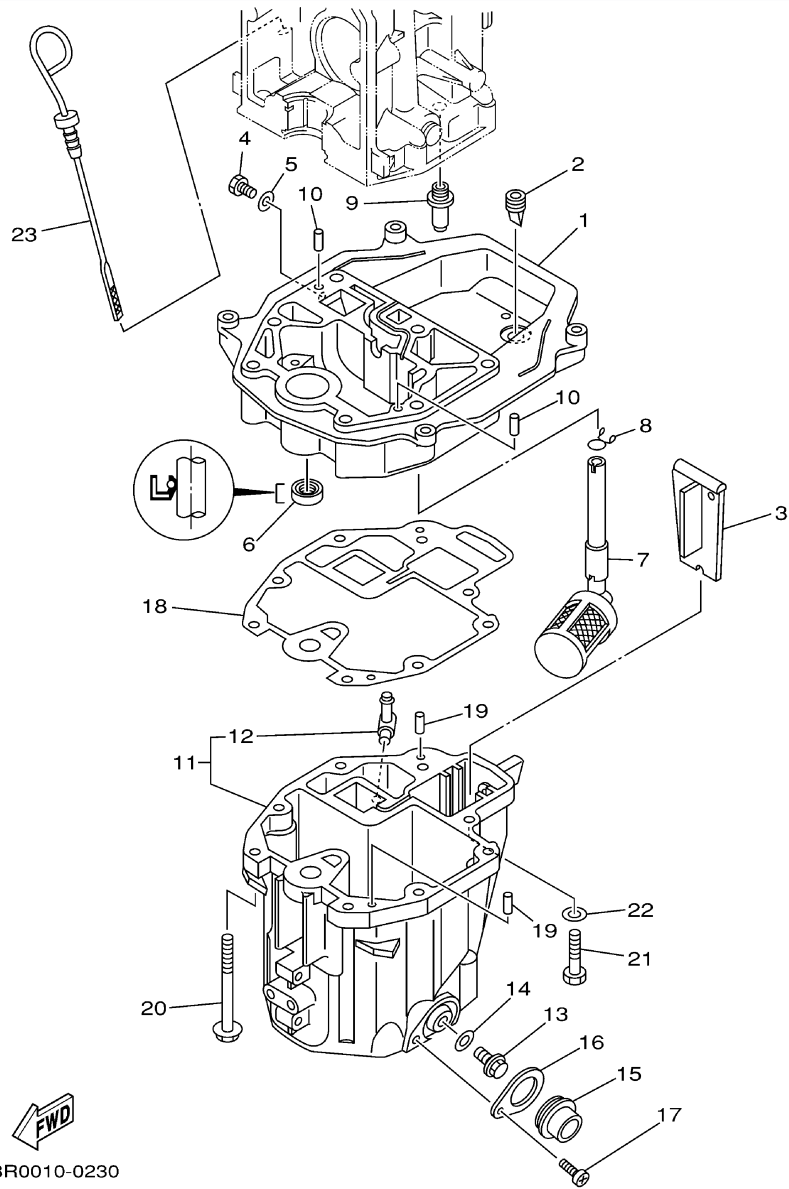


Part List

T8ELHA 2002 / UPPER CASING

REF - NO	PART NUMBER	PART NAME	QUANTITY	REMARKS
1	68T-45111-10-4D	CASING, UPPER	1	
2	68T-14711-00-5B	MUFFLER 1	1	
3	97575-06514-00	BOLT, WITH WASHER	2	
4	90480-14M54-00	GROMMET	1	
5	68T-45321-00-00	PLATE	1	
6	97095-06008-00	BOLT	1	
7	97885-05008-00	SCREW, PAN HEAD	1	
8	93604-12M07-00	PIN, DOWEL	2	
9	97075-08035-00	BOLT	4	
10	92995-08600-00	WASHER	4	
11	69G-45211-20-4D	EXTENSION	1	X
12	63V-45127-00-00	SEAL	1	X
13	92990-08600-00	..WASHER, PLATE	4	X
14	95380-08600-00	NUT	4	X
15	93604-12M07-00	PIN, DOWEL	2	X
16	90116-08M62-00	BOLT, STUD	4	X

T8ELHA 2002 / OIL PAN



68R0010-0230



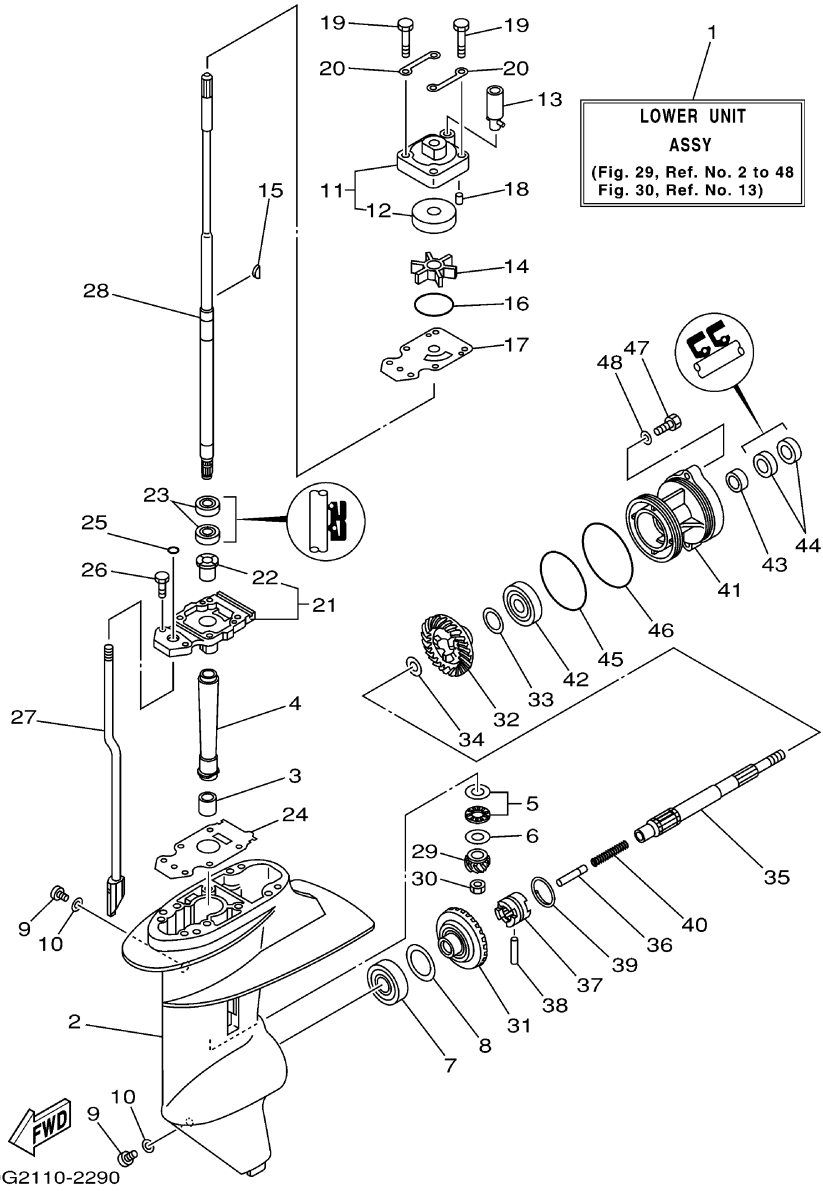
©2014 Yamaha Motor Corporation, U.S.A. All rights reserved.

Part List

T8ELHA 2002 / OIL PAN

REF - NO	PART NUMBER	PART NAME	QUANTITY	REMARKS
1	68T-41137-00-94	GUIDE, EXHAUST	1	
2	65W-42717-00-00	RUBBER, SEAL 2	1	
3	68T-45181-00-00	PLATE	1	
4	97095-08014-00	BOLT	1	
5	90430-08143-00	GASKET	1	
6	93101-12M70-00	.OIL SEAL	1	
7	68T-13421-01-00	STRAINER 2	1	
8	90467-11M08-00	CLIP	1	
9	6G8-11575-00-00	RELIEF VALVE ASSY	1	
10	93606-12019-00	.PIN, DOWEL	2	
11	68T-15311-00-5B	OIL PAN	1	
12	6H1-11372-00-00	.NIPPLE, HOSE	1	
13	90340-10M10-00	PLUG, STRAIGHT SCREW	1	
14	90430-10M11-00	.GASKET	1	
15	68T-15316-00-00	DAMPER 1	1	
16	68T-15317-00-00	SPACER, ENGINE MOUNT	1	
17	97885-05008-00	SCREW, PAN HEAD	1	
18	68T-13475-00-00	.GASKET	1	
19	93604-12M07-00	PIN, DOWEL	2	
20	90119-08005-00	BOLT, WITH WASHER	6	
21	97075-08030-00	BOLT	2	
22	92995-08600-00	WASHER	2	
23	68T-15362-00-00	PLUG, OIL LEVEL	1	

T8ELHA 2002 / LOWER CASING DRIVE 1



©2014 Yamaha Motor Corporation, U.S.A. All rights reserved.


Part List

T8ELHA 2002 / LOWER CASING DRIVE 1

REF - NO	PART NUMBER	PART NAME	QUANTITY	REMARKS
1	69G-45300-20-4D	LOWER UNIT ASSY	1	UR X
1	69G-45300-10-4D	LOWER UNIT ASSY	1	UR L
2	66R-45311-01-4D	CASING, LOWER	1	
3	93315-314V8-00	BEARING	1	
4	66R-45536-00-00	SLEEVE, DRIVE SHAFT	1	
5	93341-414V1-00	BEARING	1	
6	6E8-45587-00-20	SHIM (T:1.20MM)	1	UR
6	6E8-45587-00-13	SHIM (T:1.13MM)	1	UR
7	93332-00005-00	BEARING	1	
8	626-45577-00-01	SHIM (T:0.10MM)	1	UR
8	626-45577-00-05	SHIM (T:0.50MM)	1	UR
8	626-45577-00-03	SHIM (T:0.30MM)	1	UR
9	90340-08M04-00	PLUG, STRAIGHT SCREW	2	
10	90430-08020-00	.GASKET	2	
11	63V-44301-00-00	WATER PUMP HOUSING COMP.	1	
12	63V-44322-00-00	.INSERT, CARTRIDGE	1	
13	68T-44366-00-00	.DAMPER, WATER SEAL 2	1	
14	63V-44352-01-00	.IMPELLER	1	
15	664-44338-00-00	.KEY, WOODRUFF	1	
16	93210-44398-00	.O-RING	1	
17	68T-44323-00-00	.OUTER PLATE, CARTRIDGE	1	
18	93604-12M07-00	PIN, DOWEL	2	
19	97080-08045-00	BOLT	4	
20	63V-44328-00-00	PLATE	2	
21	69G-45331-00-5B	HOUSING, BEARING	1	
22	90381-14020-00	.BUSH, SOLID	1	
23	93101-20048-00	.OIL SEAL	2	
24	69G-45315-A0-00	.PACKING, LOWER CASING	1	
25	93210-06ME6-00	.O-RING	1	
26	97080-08025-00	BOLT	2	
27	69G-44150-20-00	SHIFT CAM ASSY	1	UR X
27	69G-44150-10-00	SHIFT CAM ASSY	1	UR L
28	69G-45510-20-00	DRIVE SHAFT ASSY	1	UR X
28	69G-45510-10-00	DRIVE SHAFT ASSY	1	UR L
29	66R-45551-00-00	PINION (13T)	1	
30	90179-08M06-00	NUT	1	
31	66R-45560-00-00	GEAR	1	
32	66R-45571-00-00	GEAR 2 (38T)	1	
33	626-45577-00-01	SHIM (T:0.10MM)	1	UR
33	626-45577-00-05	SHIM (T:0.50MM)	1	UR
33	626-45577-00-03	SHIM (T:0.30MM)	1	UR
34	90201-17682-00	WASHER, PLATE	1	
35	683-45611-00-00	SHAFT, PROPELLER	1	
36	650-45635-00-00	PLUNGER, SHIFT	1	
37	69G-45631-00-00	CLUTCH, DOG	1	
38	90250-05010-00	PIN, STRAIGHT	1	
39	648-45633-00-00	RING, CROSS PIN	1	
40	90501-14M09-00	SPRING, COMPRESSION	1	
41	66R-45361-00-4D	CAP, LOWER CASING	1	
42	93306-00501-00	BEARING	1	
43	93315-317U2-00	BEARING	1	
44	93101-17054-00	.OIL SEAL	2	
45	93210-74M68-00	.O-RING	1	
46	93210-74316-00	.O-RING	1	
47	97095-06025-00	BOLT	2	
48	92995-06600-00	WASHER	2	

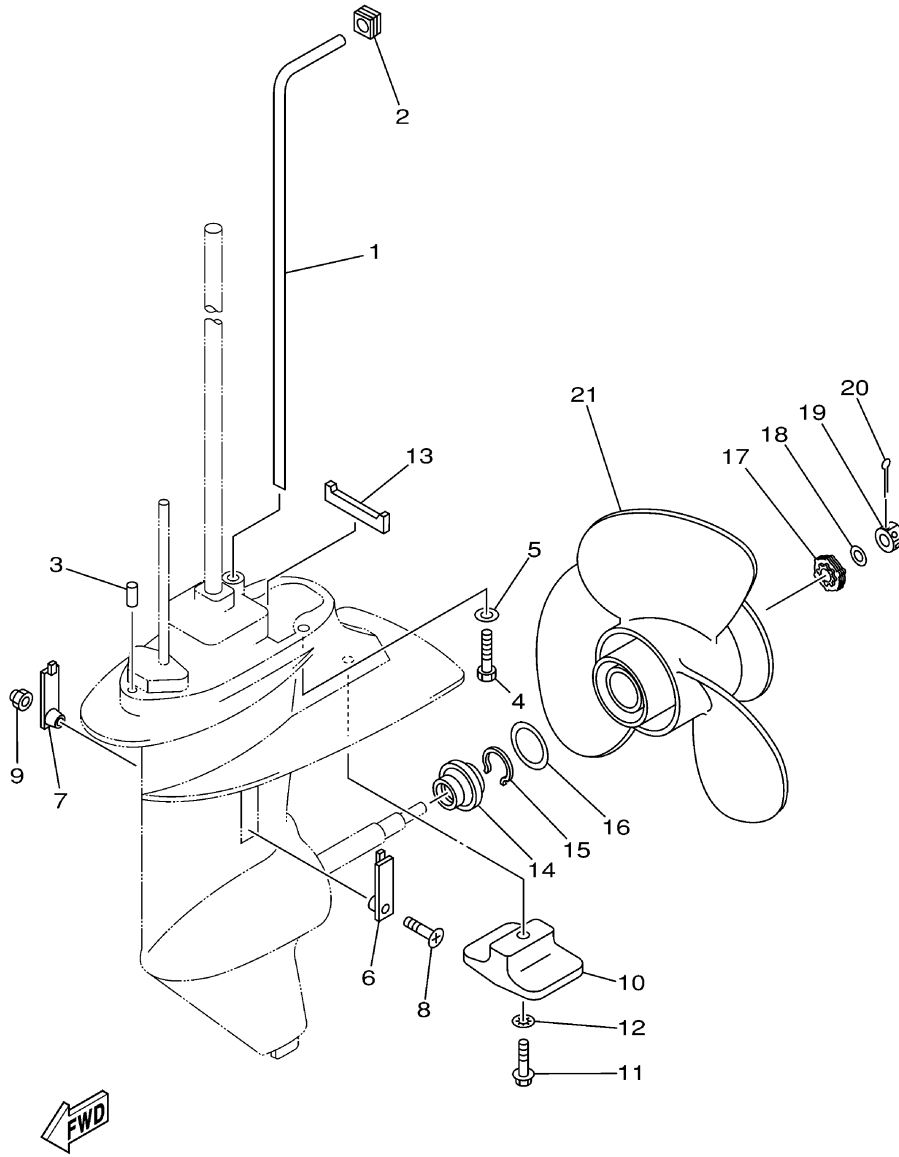
Part Notes

T8ELHA 2002 / LOWER CASING DRIVE 1

PART NUMBER		NOTE TEXT
90430-08020-00		OEM: This part number is among the Top 100 Most Popular Marine Maintenance Parts as of March 2014.

©2014 Yamaha Motor Corporation, U.S.A. All rights reserved.

T8ELHA 2002 / LOWER CASING DRIVE 2



69G0100-1310

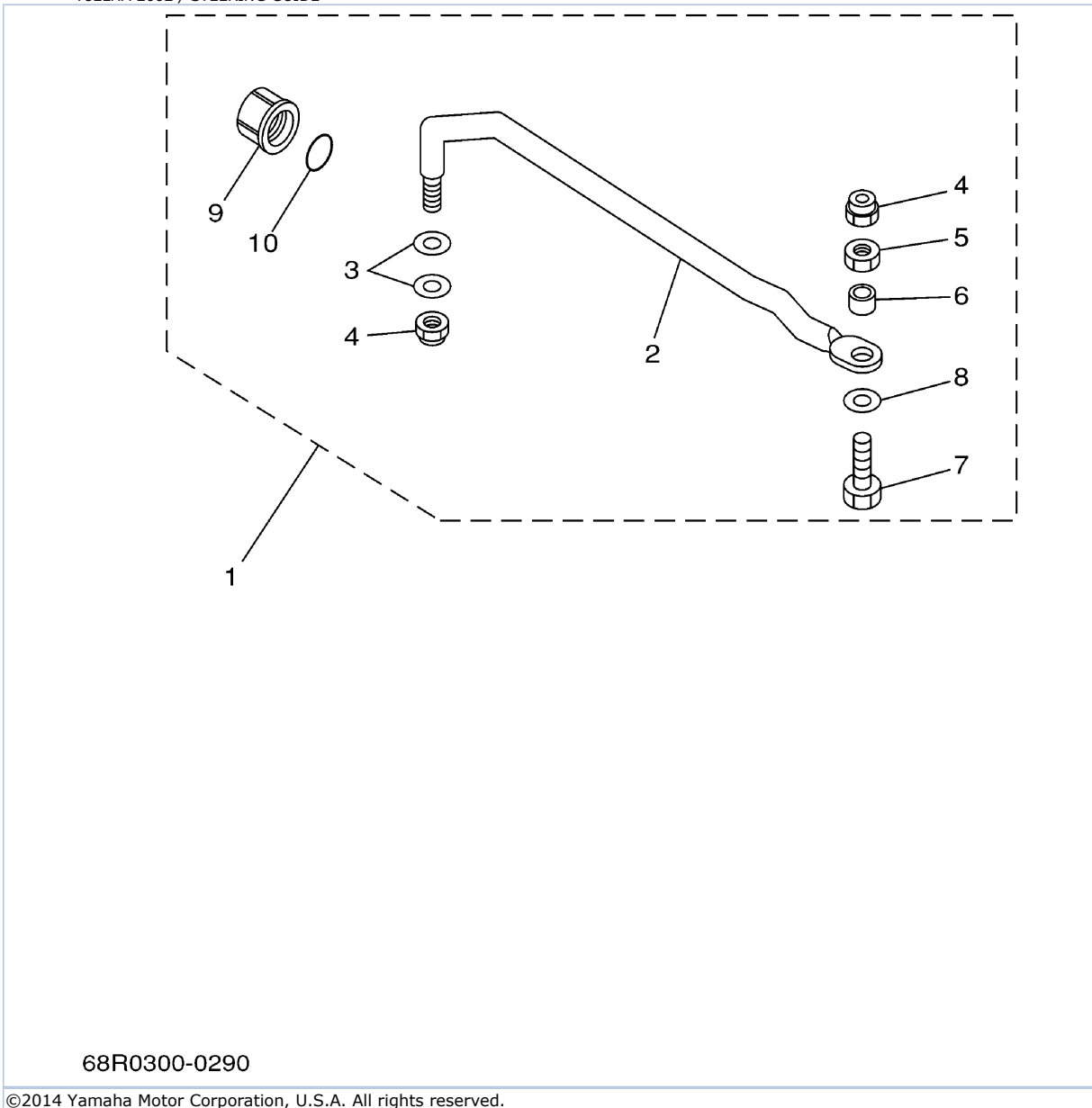
©2014 Yamaha Motor Corporation, U.S.A. All rights reserved.

Part List

T8ELHA 2002 / LOWER CASING DRIVE 2

REF - NO	PART NUMBER	PART NAME	QUANTITY	REMARKS
1	69G-44361-20-00	TUBE, WATER 1	1	UR X
1	68T-44361-10-00	TUBE, WATER 1	1	UR L
2	63V-44365-10-00	DAMPER, WATER SEAL 1	1	
3	93604-12M07-00	PIN, DOWEL	2	
4	97075-08035-00	BOLT	4	L
5	92995-08600-00	WASHER	4	L
6	6G1-45214-00-00	COVER, WATER INLET 1	1	
7	63V-45215-00-00	COVER, WATER INLET 2	1	
8	90152-05M04-00	SCREW, COUNTERSUNK	1	
9	90185-05002-00	NUT, NYLON	1	
10	61N-45251-00-00	ANODE	1	
11	95895-06030-00	BOLT, FLANGE	1	
12	92990-06300-00	WASHER, INTERNAL TOOTH	1	
13	63V-45375-00-00	DAMPER, SEAL	1	
14	6G8-45987-02-00	SPACER 1	1	
15	93450-10M04-00	CIRCLIP	1	
16	90201-31MA3-00	WASHER, PLATE	1	
17	6G8-45997-00-00	SPACER 2	1	
18	90201-10M02-00	WASHER, PLATE	1	
19	90171-10M07-00	NUT, CASTLE	1	
20	91490-30025-00	PIN. COTTER	1	
21	69G-45941-00-EL	PROPELLER (3X11-3/4"X5-3/4"-R)	1	

T8ELHA 2002 / STEERING GUIDE



68R0300-0290

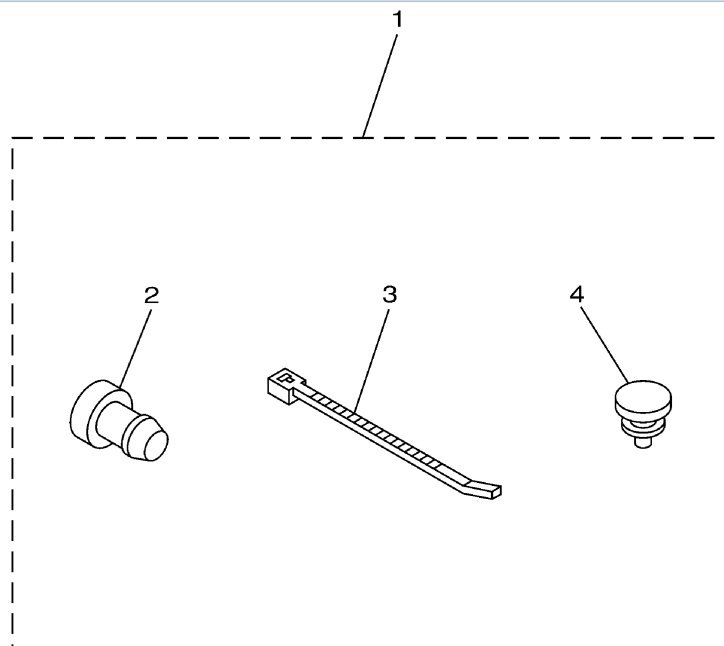
©2014 Yamaha Motor Corporation, U.S.A. All rights reserved.

Part List

T8ELHA 2002 / STEERING GUIDE

REF - NO	PART NUMBER	PART NAME	QUANTITY	REMARKS
1	68T-61350-00-00	STEERING GUIDE ATTACH KIT	1	AP PR (PH/R)
2	68T-61351-00-00	.ROD, STEERING LINK	1	(PH/R)
3	90201-10M20-00	.WASHER, PLATE	2	(PH/R)
4	90185-09M01-00	.NUT, SELF-LOCKING	2	(PH/R)
5	90170-09M03-00	.NUT	1	(PH/R)
6	90387-10M42-00	.COLLAR	1	(PH/R)
7	6E5-61355-00-00	.BOLT	1	(PH/R)
8	90201-10M63-00	.WASHER, PLATE	1	(PH/R)
9	6E5-43145-01-00	.CAP, CLAMP BRACKET	1	(PH/R)
10	93210-16275-00	.O-RING	1	(PH/R)

T8ELHA 2002 / OPTIONAL PARTS



68R1100-2290

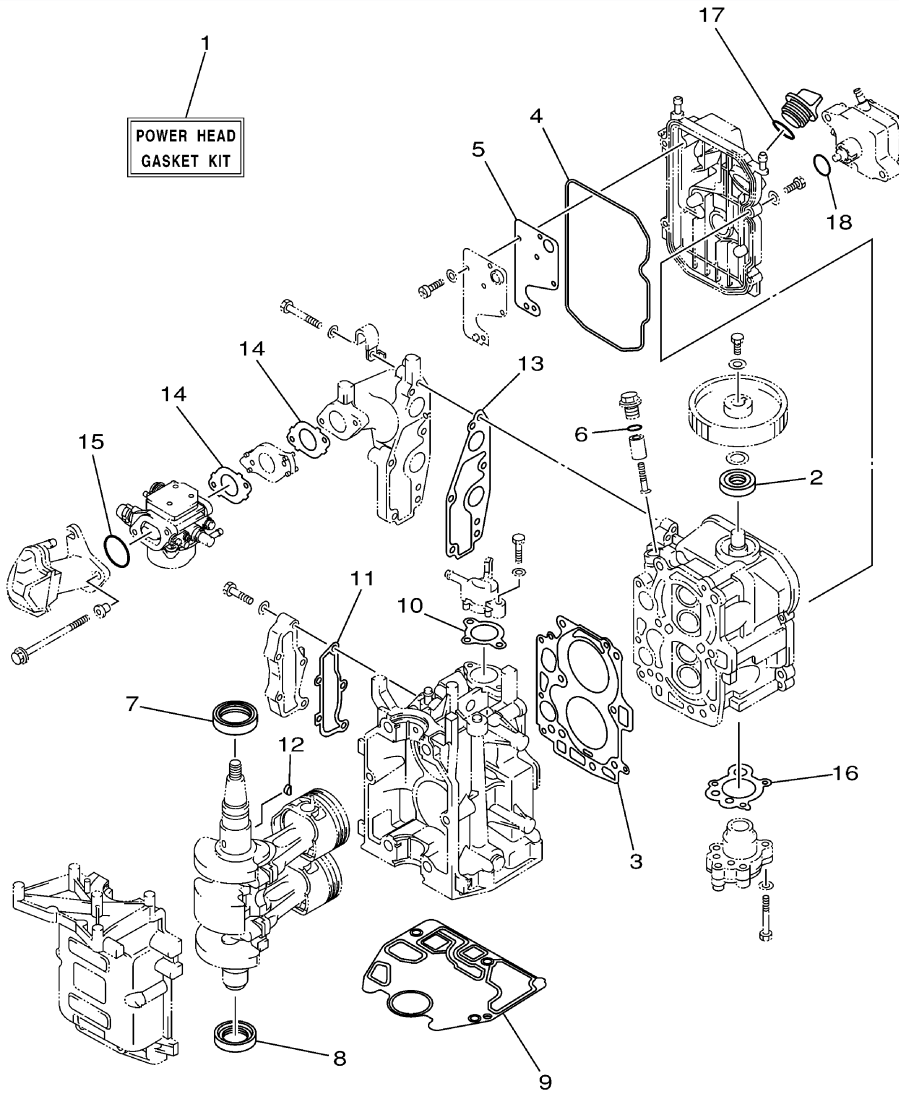
©2014 Yamaha Motor Corporation, U.S.A. All rights reserved.

Part List

T8ELHA 2002 / OPTIONAL PARTS

REF - NO	PART NUMBER	PART NAME	QUANTITY	REMARKS
1	69G-W1257-00-00	FLUSHING ELIMINATION KIT	1	AP
2	90338-07M16-00	.PLUG	1	
3	90465-11M10-00	.CLAMP	1	
4	90480-06M19-00	.GROMMET	2	

T8ELHA 2002 / REPAIR KIT 1



68R0100-0250

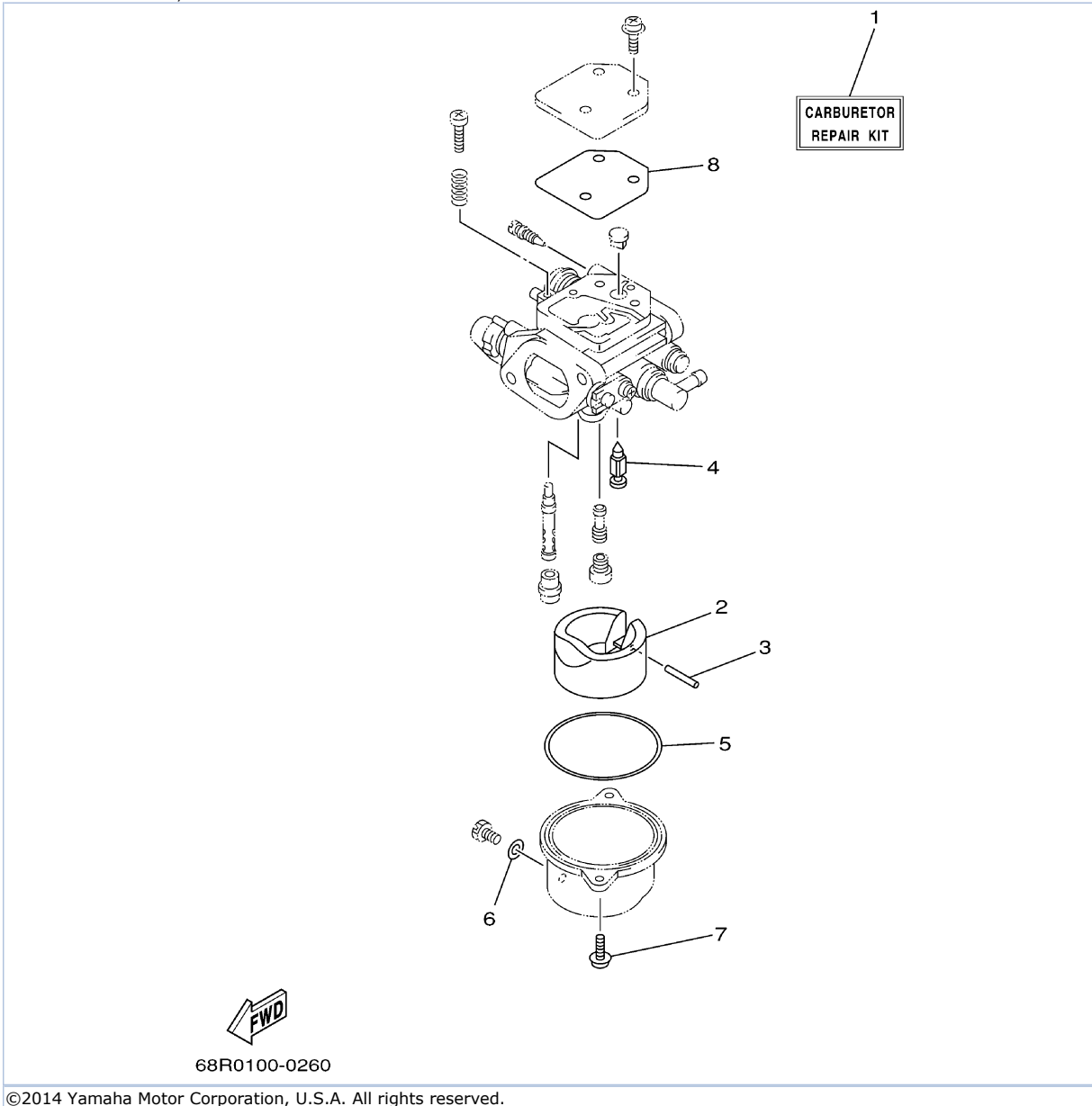
©2014 Yamaha Motor Corporation, U.S.A. All rights reserved.

Part List

T8ELHA 2002 / REPAIR KIT 1

REF - NO	PART NUMBER	PART NAME	QUANTITY	REMARKS
1	68T-W0001-00-00	POWER HEAD GASKET KIT	1	
2	93102-18M21-00	.OIL SEAL	1	
3	68T-11181-00-00	.GASKET, CYLINDER HEAD 1	1	
4	68T-11356-00-00	.SEAL, CYLINDER 2	1	
5	68T-11169-A0-00	.GASKET, BREATHER COVER	1	
6	93210-13M63-00	.O-RING	1	
7	93102-30M22-00	.OIL SEAL	1	
8	93101-25M69-00	.OIL SEAL	1	
9	68T-11351-00-00	.GASKET, CYLINDER	1	
10	6G8-12414-A0-00	.GASKET, COVER	1	
11	68T-41114-A0-00	.GASKET, EXHAUST OUTER COVER	1	
12	90280-03M01-00	.KEY, WOODRUFF	1	
13	68T-13645-00-00	.GASKET, MANIFOLD 1	1	
14	68T-13646-A0-00	.GASKET, MANIFOLD 2	2	
15	93210-31MJ5-00	.O-RING	1	
16	68T-13329-00-00	.GASKET, PUMP COVER	1	
17	93210-24M79-00	.O-RING	1	
18	93210-20M65-00	.O-RING	1	

T8ELHA 2002 / REPAIR KIT 2



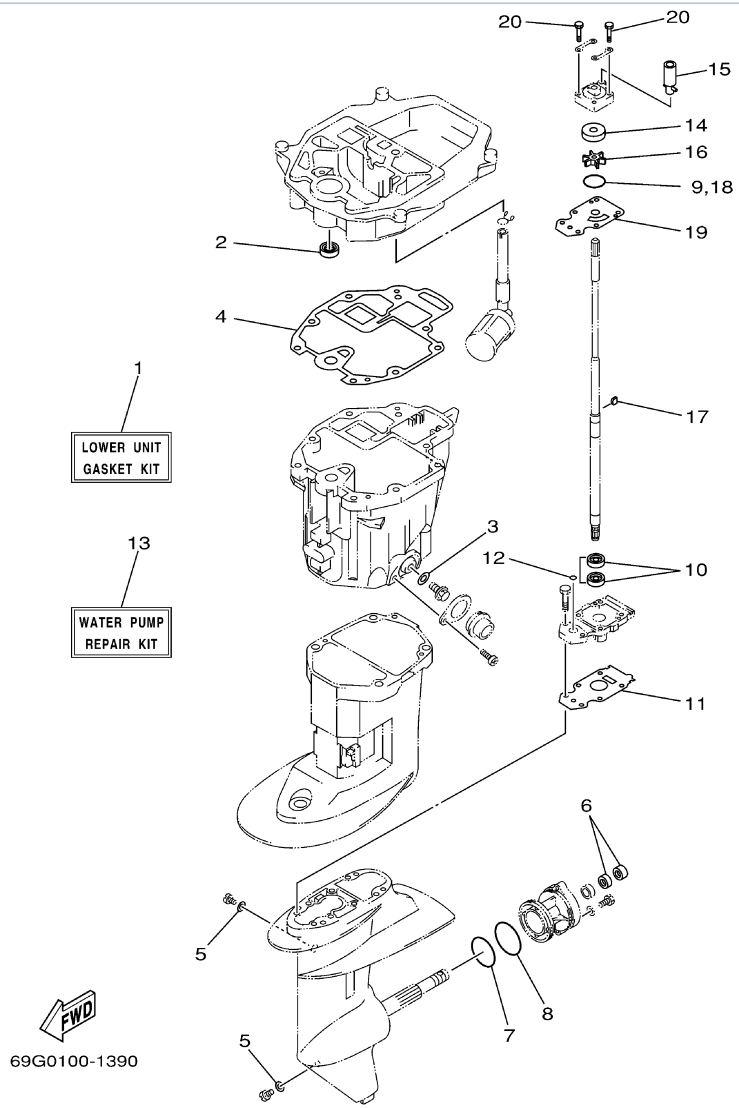
©2014 Yamaha Motor Corporation, U.S.A. All rights reserved.

Part List

T8ELHA 2002 / REPAIR KIT 2

REF - NO	PART NUMBER	PART NAME	QUANTITY	REMARKS
1	68T-W0093-00-00	CARBURETOR REPAIR KIT	1	
2	68T-14385-00-00	.FLOAT	1	
3	67D-14386-00-00	.PIN, FLOAT	1	
4	68T-14546-00-00	.VALVE, NEEDLE	1	
5	67D-14984-00-00	.GASKET, FLOAT CHAMBER	1	
6	6J8-14959-00-00	.GASKET	1	
7	97980-04112-00	.SCREW, WITH WASHER	2	
8	67D-14536-00-00	.GASKET	1	

T8ELHA 2002 / REPAIR KIT 3



©2014 Yamaha Motor Corporation, U.S.A. All rights reserved.

Part List

T8ELHA 2002 / REPAIR KIT 3

REF - NO	PART NUMBER	PART NAME	QUANTITY	REMARKS
1	69G-W0001-20-00	LOWER UNIT GASKET KIT	1	
2	93101-12M70-00	.OIL SEAL	1	
3	90430-10M11-00	.GASKET	1	
4	68T-13475-00-00	.GASKET	1	
5	90430-08020-00	.GASKET	2	
6	93101-17054-00	.OIL SEAL	2	
7	93210-74316-00	.O-RING	1	
8	93210-74M68-00	.O-RING	1	
9	93210-44398-00	.O-RING	1	
10	93101-20048-00	.OIL SEAL	2	
11	69G-45315-A0-00	.PACKING, LOWER CASING	1	
12	93210-06ME6-00	.O-RING	1	
13	69G-W0078-00-00	WATER PUMP REPAIR KIT	1	
14	63V-44322-00-00	.INSERT, CARTRIDGE	1	
15	68T-44366-00-00	.DAMPER, WATER SEAL 2	1	
16	63V-44352-01-00	.IMPELLER	1	
17	664-44338-00-00	.KEY, WOODRUFF	1	
18	93210-44398-00	.O-RING	1	
19	68T-44323-00-00	.OUTER PLATE, CARTRIDGE	1	
20	97080-08045-00	.BOLT	4	

Part Notes

T8ELHA 2002 / REPAIR KIT 3

PART NUMBER	NOTE TEXT
90430-08020-00 	OEM: This part number is among the Top 100 Most Popular Marine Maintenance Parts as of March 2014.

©2014 Yamaha Motor Corporation, U.S.A. All rights reserved.

©2014 Yamaha Motor Corporation, U.S.A. All rights reserved.