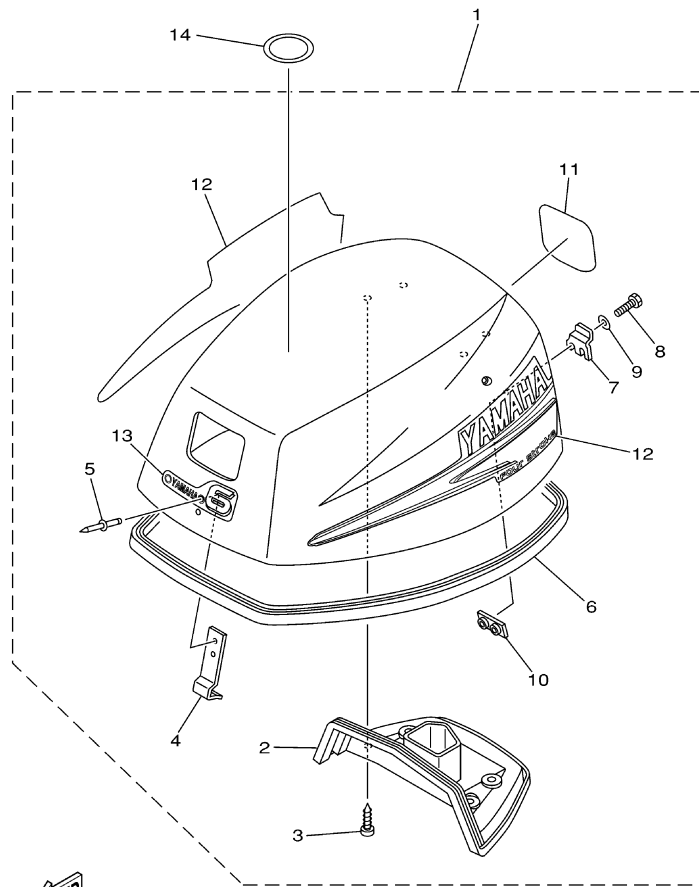


F8CMLH 0407 / TOP COWLING



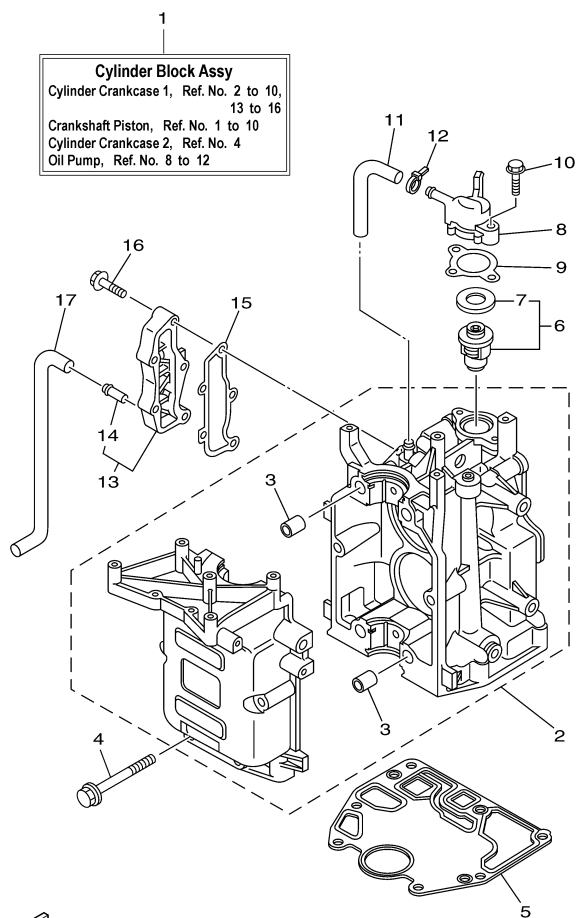
68R1100-2010

Part List

F8CMLH 0407 / TOP COWLING

| REF - NO | PART NUMBER | PART NAME | QUANTITY | REMARKS |
|----------------|-----------------|---------------------|----------|---------|
| 1 | 60R-G2610-10-4D | TOP COWLING ASSY | 1 | UR F8C |
| 2 | 60R-G2613-00-00 | .MOLDING, AIR DUCT | 1 | |
| 3 | 97780-60516-00 | .SCREW, TAPPING | 4 | |
| 4 | 6G1-42651-02-00 | .HOOK | 1 | |
| 5 | 90266-04M04-00 | .RIVET | 2 | |
| 6 | 60R-42615-00-00 | .SEAL | 1 | |
| 7 | 60R-42652-00-00 | .HOOK | 1 | |
| 8 | 97095-05014-00 | .BOLT | 2 | |
| 9 | 92995-05600-00 | .WASHER | 2 | |
| 10 | 68T-42649-00-00 | .HOLDER, CLAMP BAND | 1 | |
| 11 | 68T-42678-20-00 | .GRAPHIC, REAR | 1 | UR F8C |
| 12 | 68T-W0070-20-00 | .GRAPHIC SET | 1 | |
| 13 | 68T-42677-00-00 | .GRAPHIC, FRONT | 1 | UR F8C |
| 14 | 60R-E3434-00-00 | LABEL, CAUTION | 1 | |

F8CMLH 0407 / CYLINDER CRANKCASE 1




60N2300-E020


Part List

F8CMLH 0407 / CYLINDER CRANKCASE 1

| REF - NO | PART NUMBER | PART NAME | QUANTITY | REMARKS |
|----------------|-----------------|---------------------------------|----------|---------|
| 1 | 60R-WE09B-00-1S | CYLINDER BLOCK ASSY | 1 | |
| 2 | 60R-E5100-00-1S | CRANKCASE ASSY | 1 | |
| 3 | 91812-12001-00 | .PIN, DOWEL | 4 | |
| 4 | 90119-08M29-00 | BOLT, WITH WASHER | 6 | |
| 5 | 68T-11351-00-00 | .GASKET, CYLINDER | 1 | |
| 6 | 66M-12411-01-00 | THERMOSTAT | 1 | |
| 7 | 688-12412-00-00 | .SEAL, THERMOSTAT | 1 | |
| 8 | 68T-12413-00-1S | COVER, THERMOSTAT | 1 | |
| 9 | 60R-E2414-A0-00 | .GASKET, COVER | 1 | |
| 10 | 90119-06MA2-00 | BOLT, WITH WASHER | 2 | |
| 11 | 60R-E2481-00-00 | PIPE 1 | 1 | |
| 12 | 90465-11M10-00 | CLAMP | 1 | |
| 13 | 60R-G1113-00-1S | OUTER COVER, EXHAUST | 1 | |
| 14 | 6E9-24378-00-00 | .PIPE, JOINT 3 | 1 | |
| 15 | 68T-41114-A0-00 | .GASKET, EXHAUST OUTER COVER | 1 | |
| 16 | 90119-06MA3-00 | BOLT, WITH WASHER | 5 | |
| 17 | 60R-E2482-00-00 | PIPE 2 | 1 | |

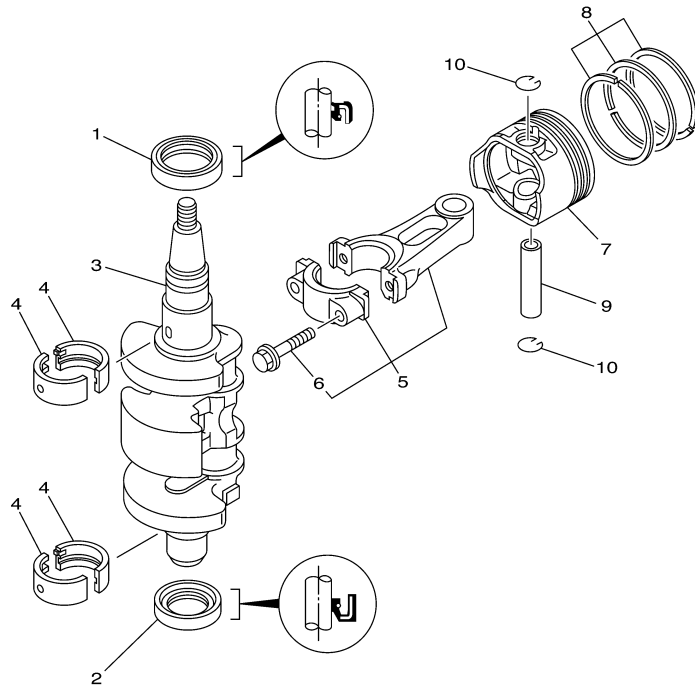
Part Notes

F8CMLH 0407 / CYLINDER CRANKCASE 1

| PART NUMBER | NOTE TEXT |
|--|--|
| 66M-12411-01-00  | OEM: This part number is among the Top 100 Most Popular Marine Maintenance Parts as of March 2014. |

©2014 Yamaha Motor Corporation, U.S.A. All rights reserved.

F8CMLH 0407 / CRANKSHAFT PISTON



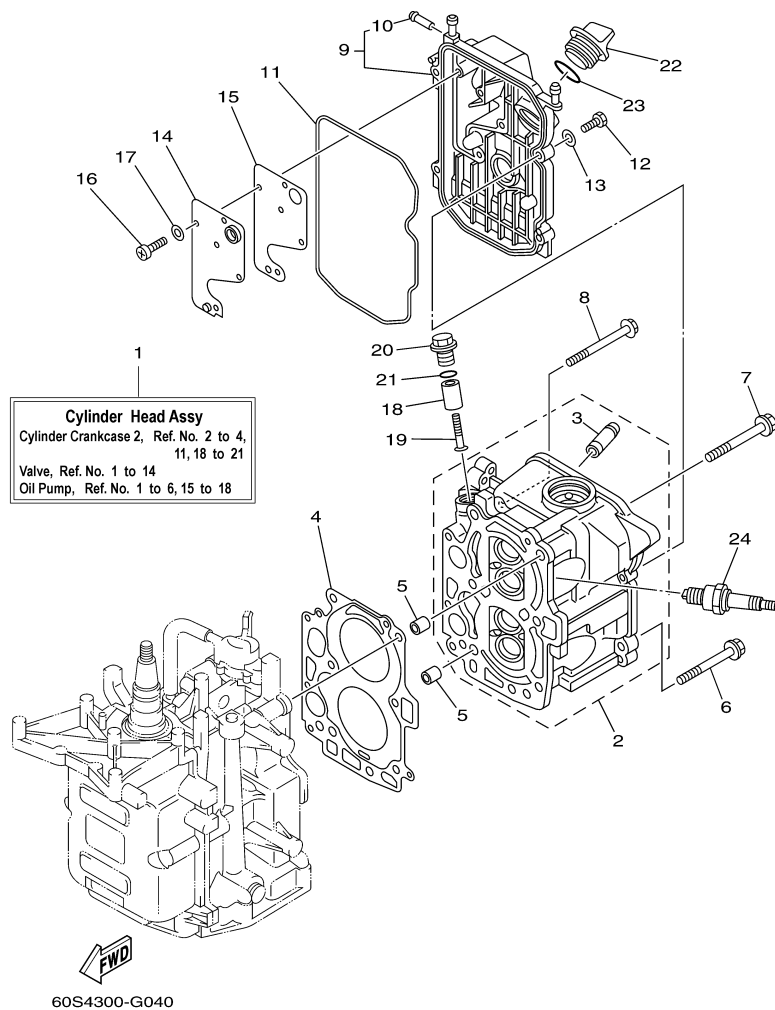
68R0010-0031

Part List

F8CMLH 0407 / CRANKSHAFT PISTON

| REF - NO | PART NUMBER | PART NAME | QUANTITY | REMARKS |
|----------------|-----------------|---------------------------------|----------|----------|
| 1 | 93102-30M22-00 | .OIL SEAL | 1 | |
| 2 | 93101-25M69-00 | .OIL SEAL | 1 | |
| 3 | 60R-E1411-00-00 | CRANKSHAFT | 1 | |
| 4 | 68T-11416-00-00 | PLANE BEARING, CRANKSHAFT 1 | 4 | UR BROWN |
| 4 | 68T-11416-20-00 | PLANE BEARING, CRANKSHAFT 1 | 4 | UR BLUE |
| 4 | 68T-11416-10-00 | PLANE BEARING, CRANKSHAFT 1 | 4 | UR BLACK |
| 5 | 68T-11650-00-00 | CONNECTING ROD ASSY | 2 | |
| 6 | 67D-11654-00-00 | .BOLT, CONNECTING ROD | 2 | |
| 7 | 60R-E1631-00-96 | PISTON (STD) | 2 | |
| 7 | 60R-E1636-00-00 | PISTON (0.50MM O/S) | 2 | AP |
| 7 | 60R-E1635-00-00 | PISTON (0.25MM O/S) | 2 | AP |
| 8 | 60R-E1603-00-00 | PISTON RING SET (STD) | 2 | |
| 8 | 60R-E1605-00-00 | PISTON RING SET (0.50MM O/S) | 2 | AP |
| 8 | 60R-E1604-00-00 | PISTON RING SET (0.25MM O/S) | 2 | AP |
| 9 | 60R-E1633-00-00 | PIN, PISTON | 2 | |
| 10 | 93450-15023-00 | CIRCLIP | 4 | |

F8CMLH 0407 / CYLINDER CRANKCASE 2

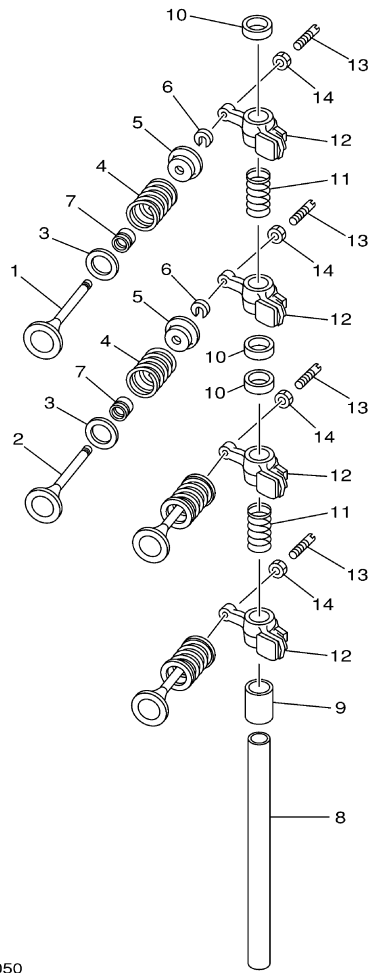


Part List

F8CMLH 0407 / CYLINDER CRANKCASE 2

| REF - NO | PART NUMBER | PART NAME | QUANTITY | REMARKS |
|----------------|-----------------|----------------------------|----------|---------|
| 1 | 60R-WE09A-00-1S | CYLINDER HEAD ASSY | 1 | |
| 2 | 60R-E1111-00-1S | HEAD, CYLINDER 1 | 1 | |
| 3 | 67D-11133-10-00 | .GUIDE, VALVE 1 | 4 | |
| 4 | 68T-11181-00-00 | .GASKET, CYLINDER HEAD 1 | 1 | |
| 5 | 99510-10114-00 | PIN, DOWEL | 2 | |
| 6 | 90105-08M36-00 | BOLT, FLANGE | 2 | |
| 7 | 90105-08M78-00 | BOLT, FLANGE | 4 | |
| 8 | 90119-06049-00 | BOLT, WITH WASHER | 3 | |
| 9 | 60R-E1191-00-1S | COVER, CYLINDER HEAD 1 | 1 | |
| 10 | 650-24378-00-00 | .PIPE, JOINT 4 | 1 | |
| 11 | 68T-11356-00-00 | .SEAL, CYLINDER 2 | 1 | |
| 12 | 97095-06020-00 | BOLT | 4 | |
| 13 | 92995-06600-00 | WASHER | 4 | |
| 14 | 68T-11168-00-00 | COVER, BREATHER | 1 | |
| 15 | 68T-11169-A0-00 | .GASKET, BREATHER COVER | 1 | |
| 16 | 98507-04010-00 | SCREW, PAN HEAD | 5 | |
| 17 | 92907-04600-00 | WASHER | 5 | |
| 18 | 6G8-11325-00-00 | ANODE | 1 | |
| 19 | 97880-05025-00 | SCREW, PAN HEAD | 1 | |
| 20 | 6G8-11197-01-00 | PLUG, BLIND | 1 | |
| 21 | 93210-13M63-00 | .O-RING | 1 | |
| 22 | 69M-E5363-00-00 | PLUG, OIL | 1 | |
| 23 | 93210-24M79-00 | .O-RING | 1 | |
| 24 | NGK-BR6HS-10-00 | PLUG, SPARK (NGK BR6HS-10) | 2 | |

F8CMLH 0407 / VALVE



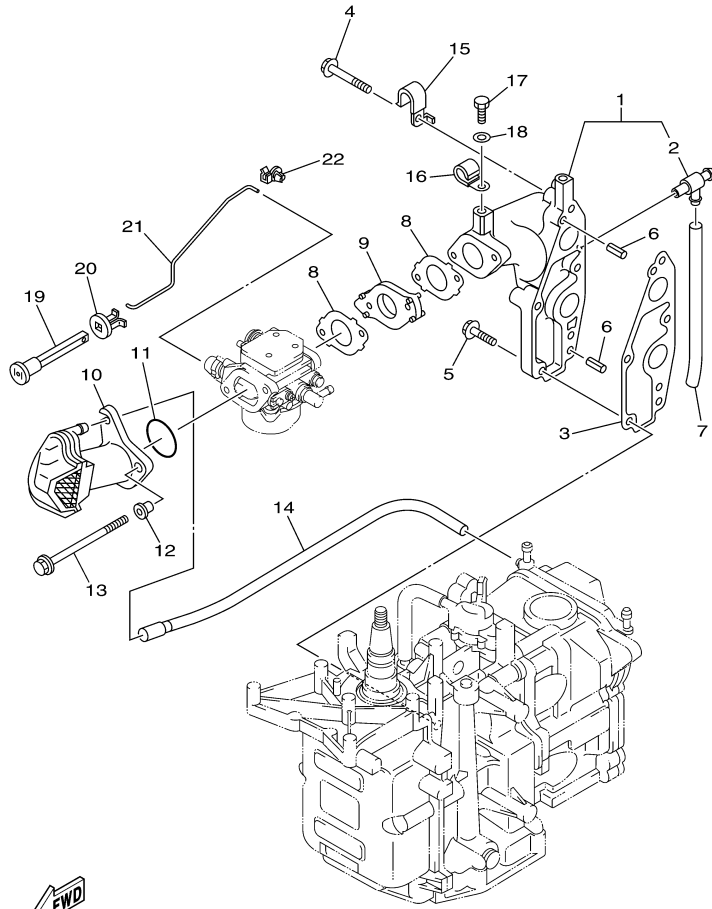

68R0010-0050

Part List

F8CMLH 0407 / VALVE

| REF - NO | PART NUMBER | PART NAME | QUANTITY | REMARKS |
|----------------|-----------------|--------------------------------|----------|---------|
| 1 | 67D-12111-00-00 | VALVE, INTAKE | 2 | |
| 2 | 67D-12121-00-00 | VALVE, EXHAUST | 2 | |
| 3 | 68T-12116-00-00 | SEAT, VALVE SPRING | 4 | |
| 4 | 60R-E2113-00-00 | SPRING, VALVE INNER | 4 | |
| 5 | 7NJ-12117-00-00 | RETAINER, VALVE SPRING | 4 | |
| 6 | 7NJ-12118-00-00 | LOCK, VALVE SPRING RETAINER | 4 | |
| 7 | 51Y-12119-00-00 | SEAL, VALVE STEM | 4 | |
| 8 | 68T-12146-00-00 | SHAFT, ROCKER | 1 | |
| 9 | 90387-13M56-00 | COLLAR | 1 | |
| 10 | 90387-14M03-00 | COLLAR | 3 | |
| 11 | 90501-12M40-00 | SPRING, COMPRESSION | 2 | |
| 12 | 68T-12151-00-00 | ARM, VALVE ROCKER | 4 | |
| 13 | 6G8-12159-00-00 | SCREW, VALVE ADJUSTING | 4 | |
| 14 | 6G8-12158-00-00 | NUT, LOCK | 4 | |

F8CMLH 0407 / INTAKE



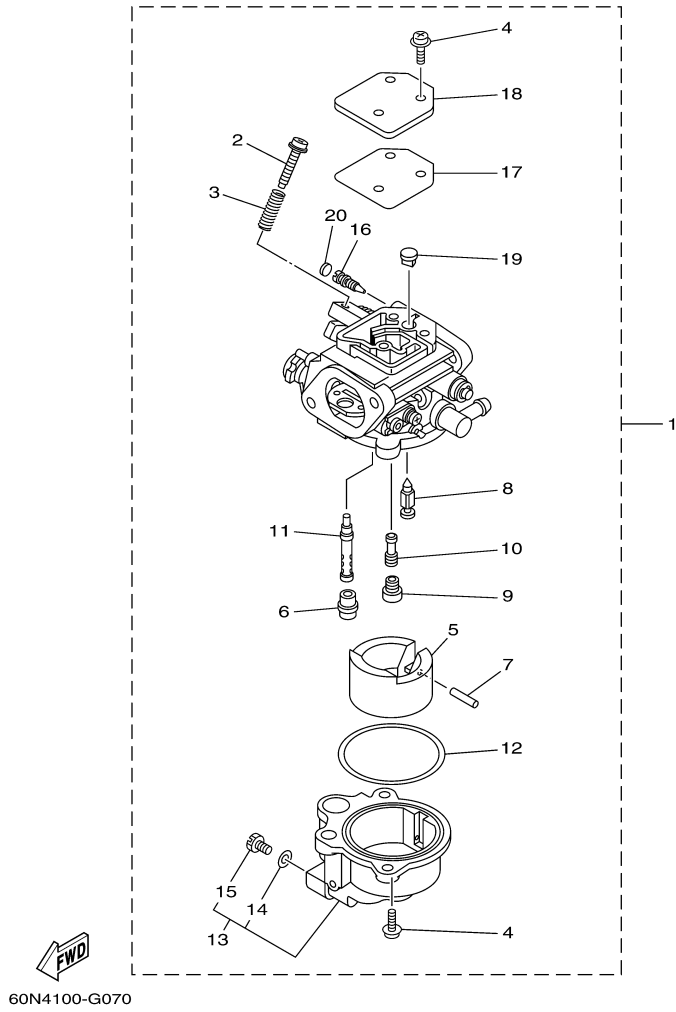

60N4300-G060

Part List

F8CMLH 0407 / INTAKE

| REF - NO | PART NUMBER | PART NAME | QUANTITY | REMARKS |
|----------------|-----------------|-----------------------|----------|--------------|
| 1 | 60R-E3641-20-1S | MANIFOLD, INTAKE 1 | 1 | FLUSHING KIT |
| 2 | 67F-12482-00-00 | .PIPE 2 | 1 | |
| 3 | 68T-13645-00-00 | .GASKET, MANIFOLD 1 | 1 | |
| 4 | 90119-06MA5-00 | BOLT, WITH WASHER | 3 | |
| 5 | 90119-06MA3-00 | BOLT, WITH WASHER | 2 | |
| 6 | 91690-50014-00 | PIN, SPRING | 2 | |
| 7 | 90445-09812-00 | HOSE (L93) | 1 | FLUSHING KIT |
| 8 | 60R-E3646-A0-00 | .GASKET, MANIFOLD 2 | 2 | |
| 9 | 68T-14271-00-00 | INSULATOR | 1 | |
| 10 | 60R-E4440-00-00 | SILENCER ASSY, INTAKE | 1 | |
| 11 | 93210-31MJ5-00 | .O-RING | 1 | |
| 12 | 90387-06M70-00 | COLLAR | 2 | |
| 13 | 97595-06585-00 | BOLT, WITH WASHER | 2 | |
| 14 | 60R-E2483-00-00 | PIPE 3 | 1 | |
| 15 | 90465-08M99-00 | CLAMP | 1 | |
| 16 | 90465-08M83-00 | CLAMP | 1 | FLUSHING KIT |
| 17 | 97095-06010-00 | BOLT | 1 | FLUSHING KIT |
| 18 | 92995-06600-00 | WASHER | 1 | FLUSHING KIT |
| 19 | 6H4-41271-01-00 | KNOB, CHOKE | 1 | |
| 20 | 689-41273-00-00 | GROMMET | 1 | |
| 21 | 68T-41256-00-00 | ROD, CHOKE 1 | 1 | |
| 22 | 6J8-41262-00-00 | JOINT, CHOKE LEVER | 1 | |

F8CMLH 0407 / CARBURETOR



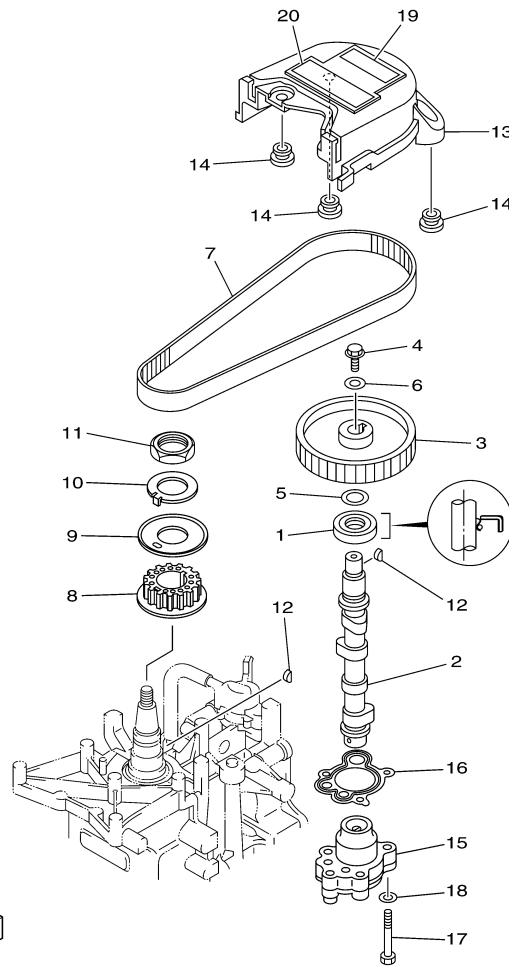
©2014 Yamaha Motor Corporation, U.S.A. All rights reserved.

Part List

F8CMLH 0407 / CARBURETOR

| REF - NO | PART NUMBER | PART NAME | QUANTITY | REMARKS |
|----------------|-----------------|------------------------|----------|---------|
| 1 | 60R-14301-10-00 | CARBURETOR ASSY 1 | 1 | UR F8C |
| 2 | 6E5-14321-00-00 | .SCREW, THROTTLE | 1 | |
| 3 | 6J8-14334-00-00 | .SPRING, THROTTLE | 1 | |
| 4 | 97980-04112-00 | .SCREW, WITH WASHER | 5 | |
| 5 | 6AU-14385-00-00 | .FLOAT | 1 | |
| 6 | 67D-14966-00-00 | .RUBBER CAP | 1 | |
| 7 | 67D-14386-00-00 | .PIN, FLOAT | 1 | |
| 8 | 68T-14546-00-00 | .VALVE, NEEDLE | 1 | |
| 9 | 60R-1492E-3K-00 | .JET, MAIN (#79) | 1 | |
| 10 | 68T-1492F-1K-00 | .JET, AIR SLOW (#39) | 1 | |
| 11 | 68T-1492A-00-00 | .NOZZLE, MAIN | 1 | |
| 12 | 6AU-14984-00-00 | .GASKET, FLOAT CHAMBER | 1 | |
| 13 | 60R-14981-00-00 | .BODY, FLOAT CHAMBER | 1 | |
| 14 | 6J8-14959-00-00 | ..GASKET | 1 | |
| 15 | 66T-14991-00-00 | ..PLUG, DRAIN | 1 | |
| 16 | 67D-14323-20-00 | .SCREW, AIR ADJUSTING | 1 | |
| 17 | 67D-14536-00-00 | .GASKET | 1 | |
| 18 | 67D-14527-00-00 | .PLATE | 1 | |
| 19 | 68T-14126-00-00 | .PLUG | 1 | |
| 20 | 67D-1432A-00-00 | .PLUG | 1 | |

F8CMLH 0407 / OIL PUMP



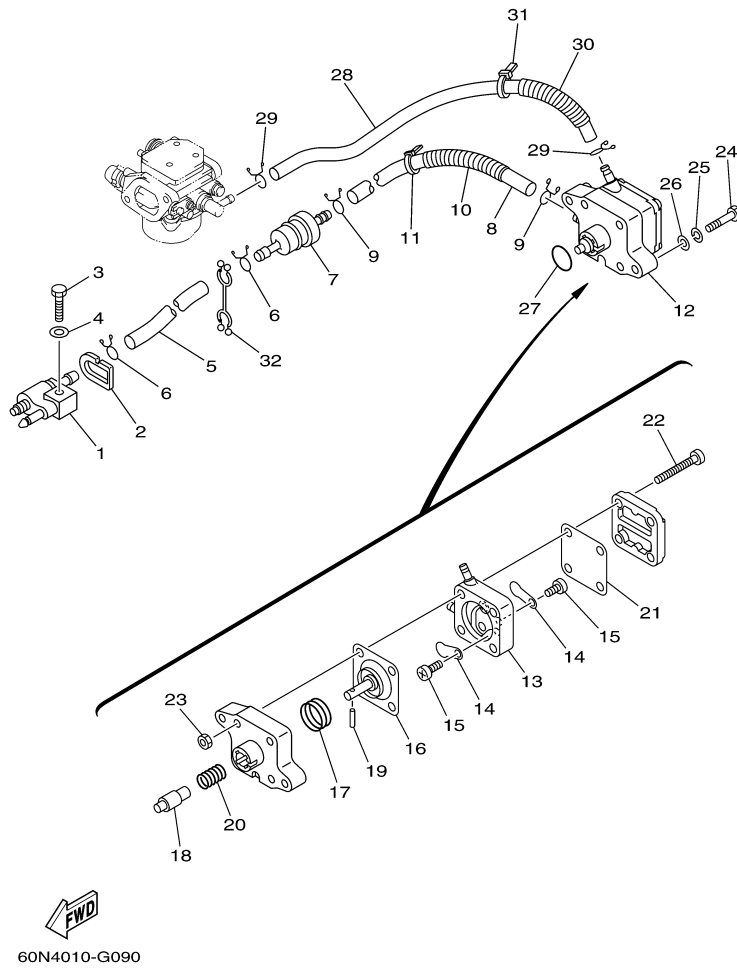
60N2100-E080

Part List

F8CMLH 0407 / OIL PUMP

| REF - NO | PART NUMBER | PART NAME | QUANTITY | REMARKS |
|----------------|-----------------|---------------------|----------|---------|
| 1 | 93102-18M21-00 | .OIL SEAL | 1 | |
| 2 | 60R-E2171-00-00 | CAMSHAFT 1 | 1 | |
| 3 | 60R-E1537-00-94 | GEAR, DRIVEN | 1 | |
| 4 | 90105-06M14-00 | BOLT FLANGE | 1 | |
| 5 | 90201-13201-00 | WASHER, PLATE | 1 | |
| 6 | 90201-06M94-00 | WASHER, PLATE | 1 | |
| 7 | 60R-G6241-00-00 | BELT | 1 | |
| 8 | 60R-E1536-00-00 | GEAR, DRIVE | 1 | |
| 9 | 68T-11557-00-00 | WASHER 1 | 1 | |
| 10 | 6G8-11587-01-00 | WASHER, LOCK | 1 | |
| 11 | 90170-24M09-00 | NUT | 1 | |
| 12 | 90280-03M01-00 | .KEY, WOODRUFF | 2 | |
| 13 | 60R-G6297-00-00 | COVER, DUST | 1 | |
| 14 | 90480-10627-00 | GROMMET | 3 | |
| 15 | 68T-13300-00-00 | OIL PUMP ASSY | 1 | |
| 16 | 68T-13329-00-00 | .GASKET, PUMP COVER | 1 | |
| 17 | 97095-06030-00 | BOLT | 3 | |
| 18 | 92995-06600-00 | WASHER | 3 | |
| 19 | 60R-E2138-40-00 | MARK, CAUTION | 1 | |
| 20 | 60R-E3437-41-00 | MARK, CAUTION | 1 | |

F8CMLH 0407 / FUEL 1



©2014 Yamaha Motor Corporation, U.S.A. All rights reserved.

Part List

F8CMLH 0407 / FUEL 1

| REF - NO | PART NUMBER | PART NAME | QUANTITY | REMARKS |
|----------------|-----------------|-------------------------|----------|---------|
| 1 | 6G1-24304-02-00 | FUEL PIPE JOINT COMP. 1 | 1 | |
| 2 | 60R-F4329-00-00 | SEAL | 1 | |
| 3 | 97095-06025-00 | BOLT | 1 | |
| 4 | 92995-06600-00 | WASHER | 1 | |
| 5 | 90445-10809-00 | HOSE (L295) | 1 | |
| 6 | 90467-09M09-00 | CLIP | 2 | |
| 7 | 68T-24251-00-00 | STRAINER 1 | 1 | |
| 8 | 90445-10811-00 | HOSE (L170) | 1 | |
| 9 | 90467-09M09-00 | CLIP | 2 | |
| 10 | 90446-14M66-00 | HOSE (L40) | 1 | |
| 11 | 90465-11M10-00 | CLAMP | 1 | |
| 12 | 68T-24410-01-00 | FUEL PUMP ASSY | 1 | |
| 13 | 66M-24413-01-00 | .BODY 2 | 1 | |
| 14 | 6A0-24421-01-00 | .VALVE, CHECK | 2 | |
| 15 | 6E7-14325-00-00 | .SCREW, PAN HEAD | 2 | |
| 16 | 66M-24411-01-00 | .DIAPHRAGM | 1 | |
| 17 | 66M-24423-00-00 | .SPRING, DIAPHRAGM | 1 | |
| 18 | 66M-13131-00-00 | .PLUNGER | 1 | |
| 19 | 66M-24374-00-00 | .PIN | 1 | |
| 20 | 66M-24454-00-00 | .SPRING | 1 | |
| 21 | 66M-24471-01-00 | .DIAPHRAGM | 1 | |
| 22 | 66M-24444-00-00 | .SCREW | 4 | |
| 23 | 95380-04600-00 | .NUT | 4 | |
| 24 | 97095-06030-00 | BOLT | 2 | |
| 25 | 92995-06100-00 | WASHER, SPRING | 2 | |
| 26 | 92995-06600-00 | WASHER | 2 | |
| 27 | 93210-20M65-00 | .O-RING | 1 | |
| 28 | 90445-10810-00 | HOSE (L280) | 1 | |
| 29 | 90467-09M09-00 | CLIP | 2 | |
| 30 | 90446-14M66-00 | HOSE (L40) | 1 | |
| 31 | 90465-11M10-00 | CLAMP | 1 | |
| 32 | 90464-10M53-00 | CLAMP | 1 | |

F8CMLH 0407 / FUEL 2



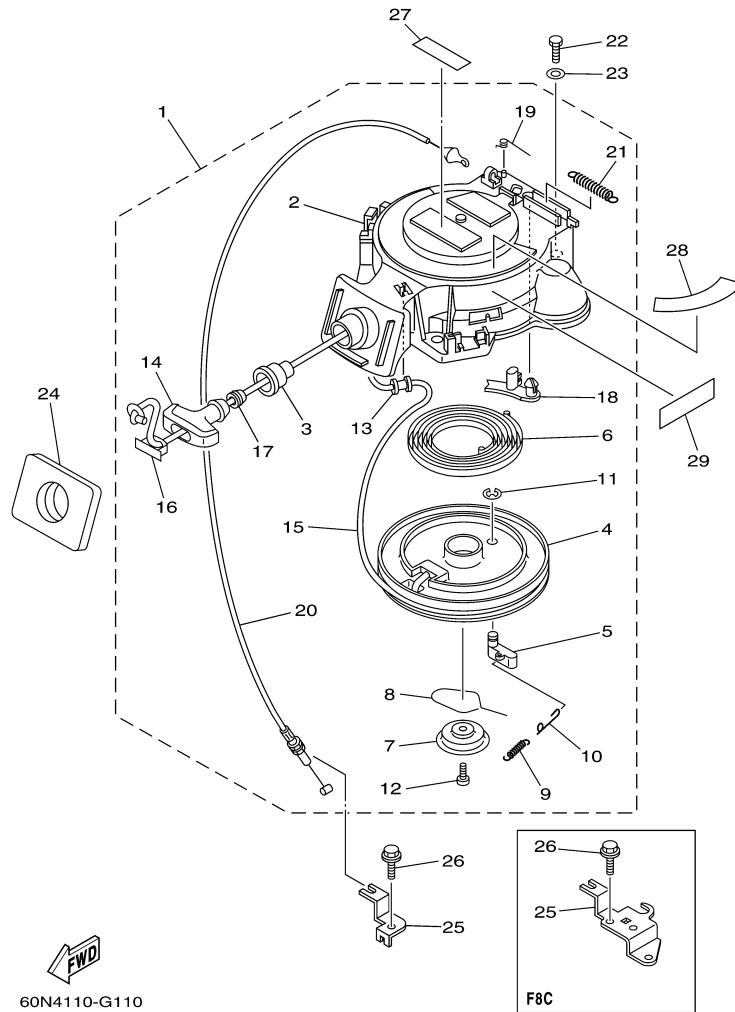
68R3100-C100

Part List

F8CMLH 0407 / FUEL 2

| REF - NO | PART NUMBER | PART NAME | QUANTITY | REMARKS |
|----------------|-----------------|-------------------------|----------|---------|
| 1 | 6Y2-24306-56-00 | FUEL PIPE COMP. 1 | 1 | AP |
| 2 | 6E5-24305-06-00 | .FUEL PIPE JOINT COMP 2 | 1 | |
| 3 | 93210-08287-00 | ..O-RING | 1 | |
| 4 | 6Y2-24305-06-00 | .FUEL PIPE JOINT COMP 2 | 1 | |
| 5 | 93210-08287-00 | ..O-RING | 1 | |
| 6 | 90445-13M01-00 | .HOSE (L2050) | 1 | |
| 7 | 6E5-24351-51-00 | .BAND 1 | 4 | |
| 8 | 90445-13M00-00 | .HOSE (L850) | 1 | |
| 9 | 6Y2-24360-60-00 | .PRIMER PUMP ASSY | 1 | |

F8CMLH 0407 / STARTER



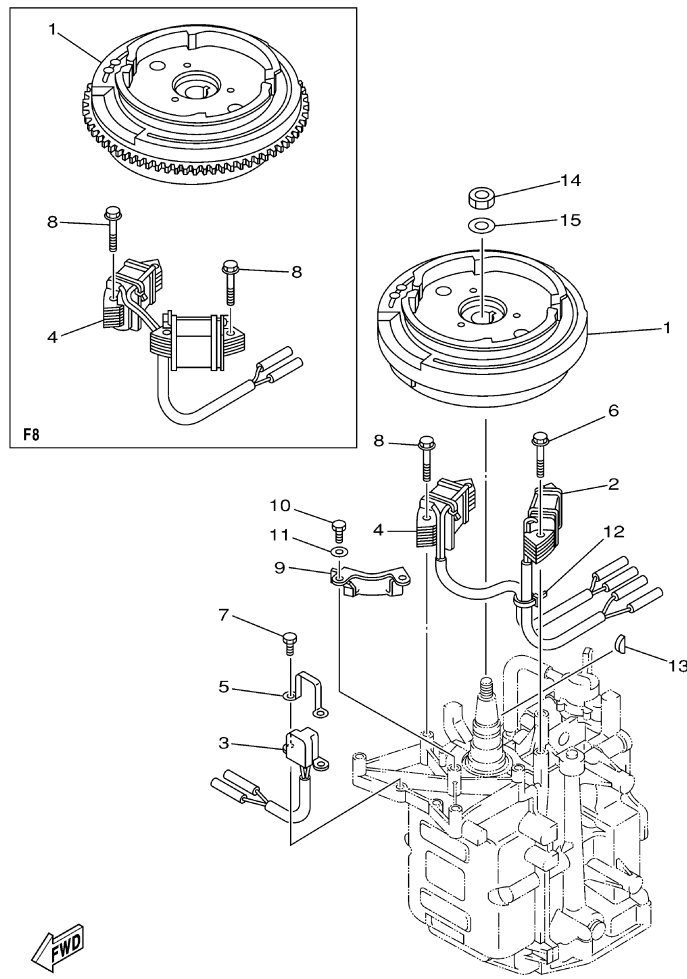
©2014 Yamaha Motor Corporation, U.S.A. All rights reserved.

Part List

F8CMLH 0407 / STARTER

| REF - NO | PART NUMBER | PART NAME | QUANTITY | REMARKS |
|----------------|-----------------|------------------------------|----------|---|
| 1 | 68T-15710-13-00 | STARTER ASSY | 1 | |
| 2 | 68T-15711-03-00 | .CASE, STARTER | 1 | |
| 3 | 68T-15795-00-00 | .GUIDE, ROPE | 1 | |
| 4 | 63V-15714-00-00 | .DRUM, SHEAVE | 1 | |
| 5 | 63V-15741-00-00 | .PAWL, DRIVE | 1 | |
| 6 | 63V-15713-00-00 | .SPRING, STARTER | 1 | |
| 7 | 68T-15716-00-00 | .PLATE, DRIVE | 1 | |
| 8 | 63V-15705-01-00 | .SPRING, DRIVE PAWL | 1 | |
| 9 | 63V-15767-01-00 | .SPRING | 1 | |
| 10 | 68T-15784-00-00 | .SPRING, RETURN | 1 | |
| 11 | 63V-15744-00-00 | .CIRCLIP | 1 | |
| 12 | 68T-15793-00-00 | .SCREW | 1 | |
| 13 | 68T-15764-00-00 | .COLLAR 1 | 1 | |
| 14 | 6G1-15755-00-00 | .HANDLE, STARTER | 1 | |
| 15 | 90890-44373-00 | ROPE, STARTER | 1 | UNAVAILABLE-OBTAIN LOCALLY, CUT TO 1.8M |
| 16 | 6G1-15779-00-00 | .COVER | 1 | |
| 17 | 6A0-15789-00-00 | .DAMPER | 1 | |
| 18 | 68T-15794-00-00 | .STOPPER | 1 | |
| 19 | 66T-15734-00-00 | .SPRING, RETURN | 1 | |
| 20 | 68T-15770-00-00 | .CABLE COMP, STARTER STOP | 1 | |
| 21 | 66T-15731-00-00 | .SPRING, RETURN | 1 | |
| 22 | 97095-06020-00 | BOLT | 3 | |
| 23 | 92995-06600-00 | WASHER | 3 | |
| 24 | 68T-15762-00-00 | SEAL, RUBBER 2 | 1 | |
| 25 | 68T-15774-10-00 | STAY 4 | 1 | UR F8C |
| 26 | 90109-06M86-00 | BOLT | 2 | UR F8C |
| 27 | 6AH-81995-40-00 | LABEL, WARNING | 1 | |
| 28 | 60R-H5711-40-00 | MARK, CAUTION | 1 | |
| 29 | 6AH-81994-40-00 | LABEL, SAFETY | 1 | |

F8CMLH 0407 / GENERATOR



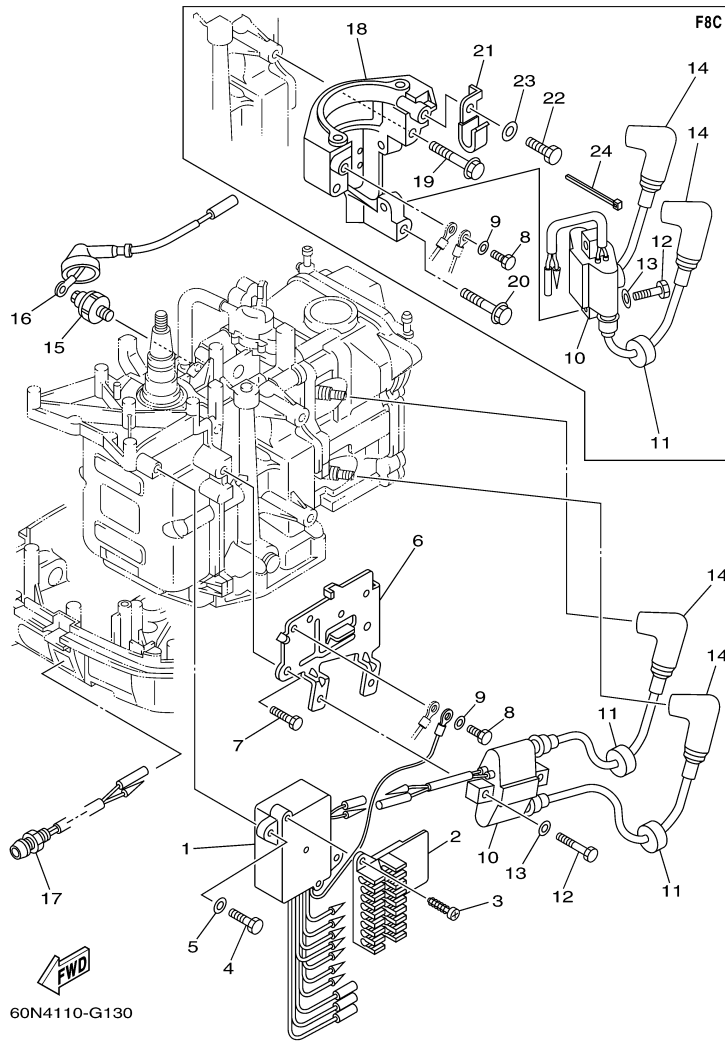

68R0110-1120

Part List

F8CMLH 0407 / GENERATOR

| REF - NO | PART NUMBER | PART NAME | QUANTITY | REMARKS |
|----------------|-----------------|--------------------|----------|---------|
| 1 | 68T-85550-11-00 | ROTOR ASSY | 1 | UR F8C |
| 2 | 68T-85520-00-00 | COIL, CHARGE | 1 | |
| 3 | 68T-85580-01-00 | COIL, PULSER | 1 | |
| 4 | 68T-85533-10-00 | COIL, LIGHTING | 1 | UR F8C |
| 5 | 6H2-85582-00-00 | ATTACHMENT, PULSER | 1 | |
| 6 | 90119-06014-00 | BOLT, WITH WASHER | 2 | |
| 7 | 97095-05010-00 | BOLT | 2 | |
| 8 | 90119-06MA1-00 | BOLT, WITH WASHER | 4 | UR F8C |
| 9 | 68T-81328-00-00 | CLAMP | 1 | F6A |
| 10 | 97013-06012-00 | BOLT | 2 | F6A |
| 11 | 92903-06600-00 | WASHER, PLATE | 2 | F6A |
| 12 | 90465-11M10-00 | CLAMP | 1 | |
| 13 | 90280-04M06-00 | KEY, WOODRUFF | 1 | |
| 14 | 90170-12066-00 | NUT | 1 | |
| 15 | 90201-12472-00 | WASHER, PLATE | 1 | |

F8CMLH 0407 / ELECTRICAL 1



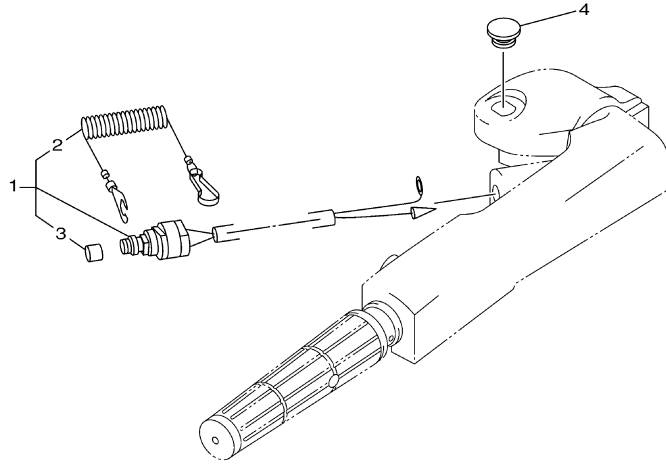
©2014 Yamaha Motor Corporation, U.S.A. All rights reserved.

Part List

F8CMLH 0407 / ELECTRICAL 1

| REF - NO | PART NUMBER | PART NAME | QUANTITY | REMARKS |
|----------------|-----------------|--------------------------------|----------|---------|
| 1 | 68T-85540-00-00 | C.D.I. UNIT ASSY | 1 | UR F8C |
| 2 | 68T-82522-00-00 | CLAMP, COUPLER | 1 | |
| 3 | 97780-40512-00 | SCREW, TAPPING | 2 | |
| 4 | 97095-06020-00 | BOLT | 2 | |
| 5 | 92995-06600-00 | WASHER | 2 | |
| 6 | 68T-85542-00-00 | BRACKET | 1 | F6A |
| 7 | 97095-08012-00 | BOLT | 2 | F6A |
| 8 | 97095-06012-00 | BOLT | 1 | |
| 9 | 92995-06600-00 | WASHER | 1 | |
| 10 | 680-85570-01-00 | IGNITION COIL ASSY | 1 | |
| 11 | 90480-25161-00 | GROMMET | 2 | |
| 12 | 97095-06025-00 | BOLT | 2 | |
| 13 | 92995-06600-00 | WASHER | 2 | |
| 14 | 6E3-82370-21-00 | PLUG CAP ASSY | 2 | |
| 15 | 67F-82504-00-00 | OIL PRESSURE SWITCH ASSY | 1 | |
| 16 | 68T-82127-10-00 | WIRE, LEAD 2 | 1 | |
| 17 | 68T-85410-00-00 | EMERGENCY SIGNAL LIGHT ASSY | 1 | |
| 18 | 68T-81822-01-94 | BRACKET, STARTING MOTOR | 1 | F8C |
| 19 | 90119-08046-00 | BOLT, WITH WASHER | 2 | F8C |
| 20 | 90119-08020-00 | BOLT, WITH WASHER | 1 | F8C |
| 21 | 90465-08M99-00 | CLAMP | 1 | F8C |
| 22 | 97095-06012-00 | BOLT | 1 | F8C |
| 23 | 92995-06600-00 | WASHER | 1 | F8C |
| 24 | 90465-11M10-00 | CLAMP | 1 | F8C |

F8CMLH 0407 / ELECTRICAL 2




68R0100-0130


Part List

F8CMLH 0407 / ELECTRICAL 2

| REF - NO | PART NUMBER | PART NAME | QUANTITY | REMARKS |
|----------------|-----------------|-------------------------|----------|---------|
| 1 | 65W-82575-01-00 | ENGINE STOP SWITCH ASSY | 1 | |
| 2 | 682-82556-00-00 | .LANYARD, STOP SWITCH | 1 | |
| 3 | 689-8257Y-00-00 | .CAP | 1 | |
| 4 | 6G1-42725-00-00 | GROMMET | 1 | |

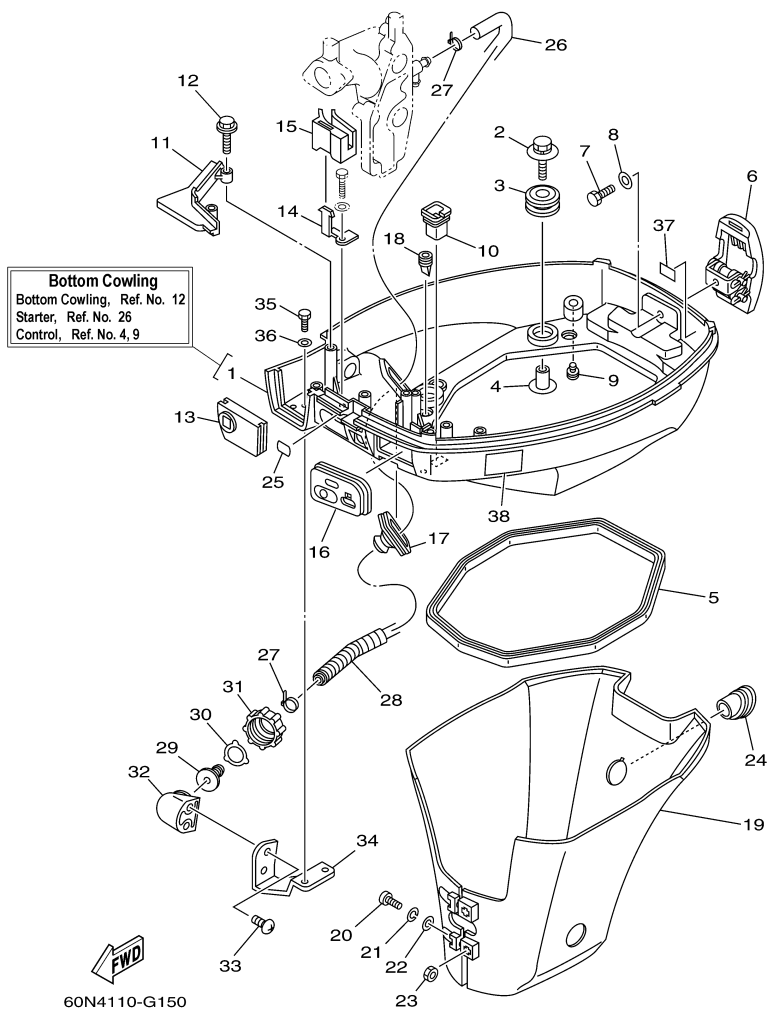
Part Notes

F8CMLH 0407 / ELECTRICAL 2

| PART NUMBER | NOTE TEXT |
|---|--|
| 682-82556-00-00  | OEM: This part number is among the Top 100 Most Popular Marine Maintenance Parts as of March 2014. |

©2014 Yamaha Motor Corporation, U.S.A. All rights reserved.

F8CMLH 0407 / BOTTOM COWLING



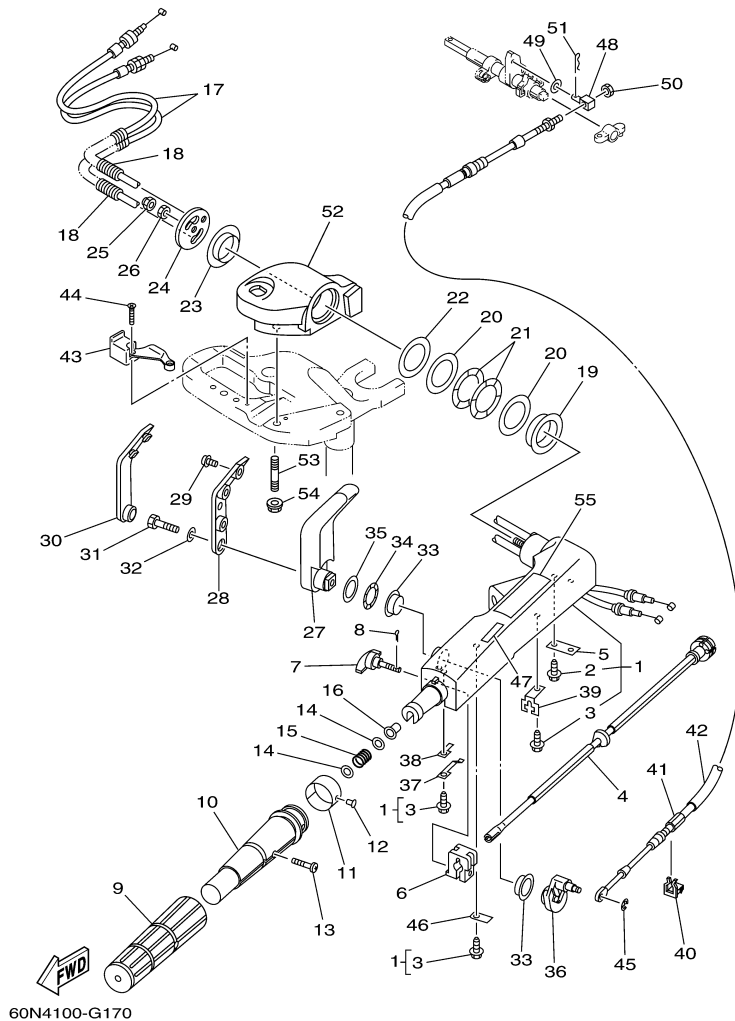
©2014 Yamaha Motor Corporation, U.S.A. All rights reserved.

Part List

F8CMLH 0407 / BOTTOM COWLING

| REF - NO | PART NUMBER | PART NAME | QUANTITY | REMARKS |
|----------------|-----------------|--------------------------|----------|-------------------|
| 1 | 60R-G2710-00-4D | BOTTOM COWLING ASSY | 1 | WITH TAPPING BOLT |
| 2 | 68F-85119-00-00 | BOLT | 4 | |
| 3 | 90480-21M82-00 | GROMMET | 4 | |
| 4 | 90387-06176-00 | COLLAR | 4 | |
| 5 | 68T-42716-10-00 | RUBBER, SEAL 1 | 1 | |
| 6 | 68T-42801-00-00 | COWLING CLAMP COMP. | 1 | |
| 7 | 97095-06012-00 | BOLT | 1 | |
| 8 | 92995-06600-00 | WASHER | 1 | |
| 9 | 6H3-44391-01-00 | NIPPLE, HOSE | 1 | |
| 10 | 682-42727-00-00 | GROMMET | 1 | |
| 11 | 68T-42738-00-4D | PLATE, FITTING | 1 | |
| 12 | 90109-06M81-00 | BOLT | 2 | |
| 13 | 68T-42725-00-00 | GROMMET | 1 | |
| 14 | 68T-26393-00-00 | HOLDER | 1 | |
| 15 | 68T-26367-00-00 | PROTECTOR | 1 | |
| 16 | 68T-42724-20-00 | GROMMET | 1 | |
| 17 | 688-42726-10-00 | GROMMET | 1 | FLUSHING KIT |
| 18 | 60S-G2717-00-00 | RUBBER, SEAL 2 | 2 | |
| 19 | 60R-G2741-00-00 | APRON | 1 | |
| 20 | 97885-06030-00 | SCREW, PAN HEAD | 2 | |
| 21 | 92995-06100-00 | WASHER, SPRING | 2 | |
| 22 | 92995-06600-00 | WASHER | 2 | |
| 23 | 95380-06600-00 | NUT, HEXAGON | 2 | |
| 24 | 68T-42717-00-00 | RUBBER, SEAL 2 | 1 | |
| 25 | 60R-H4342-00-00 | SEAT, EMBLEM | 1 | |
| 26 | 60S-E2481-00-00 | PIPE 1 | 1 | FLUSHING KIT |
| 27 | 90465-11M10-00 | CLAMP | 2 | FLUSHING KIT |
| 28 | 90447-13M00-00 | TUBE | 1 | FLUSHING KIT |
| 29 | 6R3-12582-00-00 | JOINT, HOSE 2 | 1 | FLUSHING KIT |
| 30 | 6R3-12583-00-00 | GASKET, HOSE JOINT | 1 | FLUSHING KIT |
| 31 | 6R3-12581-00-00 | JOINT, HOSE 1 | 1 | FLUSHING KIT |
| 32 | 68T-12572-00-00 | ADAPTER | 1 | FLUSHING KIT |
| 33 | 90167-06002-00 | SCREW, TAPPING | 2 | FLUSHING KIT |
| 34 | 68T-12535-00-00 | PLATE | 1 | FLUSHING KIT |
| 35 | 97095-06010-00 | BOLT | 2 | FLUSHING KIT |
| 36 | 92995-06600-00 | WASHER | 2 | FLUSHING KIT |
| 37 | 6H8-42791-10-00 | MARK 1 | 1 | |
| 38 | 6AH-42794-40-00 | LABEL, WARNING (GENERAL) | 1 | |

F8CMLH 0407 / STEERING



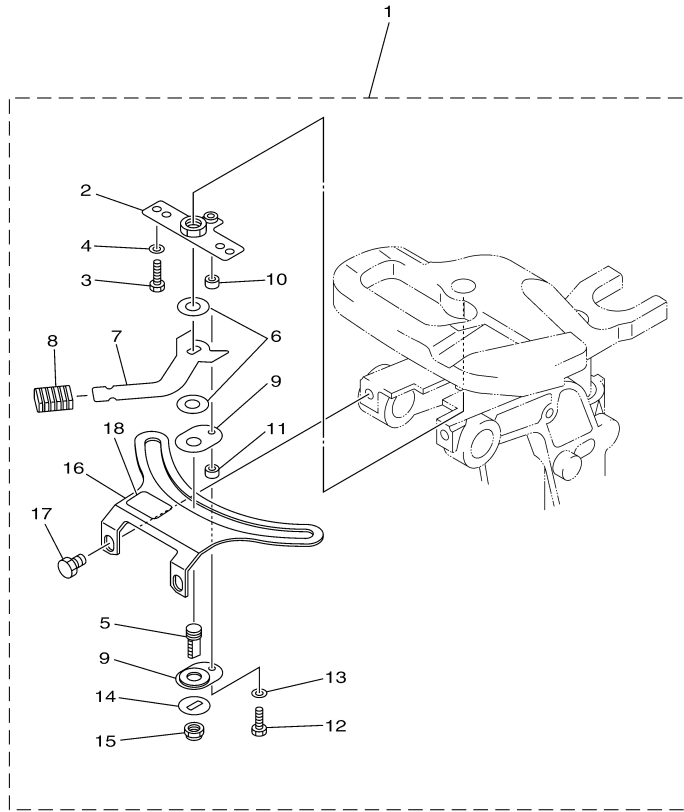
©2014 Yamaha Motor Corporation, U.S.A. All rights reserved.

Part List

F8CMLH 0407 / STEERING

| REF - NO | PART NUMBER | PART NAME | QUANTITY | REMARKS |
|----------------|-----------------|------------------------------------|----------|---------|
| 1 | 60R-G2101-00-4D | HANDLE, STEERING | 1 | |
| 2 | 90109-06M86-00 | .BOLT | 2 | |
| 3 | 90109-06M80-00 | .BOLT | 3 | |
| 4 | 68T-42138-01-00 | LEVER, THROTTLE | 1 | |
| 5 | 65W-42159-00-00 | STAY | 1 | |
| 6 | 6G1-42126-00-00 | FRICITION, STEERING HANDLE GRIP | 1 | |
| 7 | 65W-42125-00-00 | BOLT, FRICTION ADJUSTING | 1 | |
| 8 | 91490-16010-00 | PIN. COTTER | 1 | |
| 9 | 68D-G2177-10-00 | RUBBER, HANDLE | 1 | |
| 10 | 68D-G2119-00-00 | GRIP, STEERING HANDLE | 1 | |
| 11 | 60R-G2137-00-00 | INDICATOR, THROTTLE | 1 | UR F8C |
| 12 | 90269-02M09-00 | RIVET | 1 | |
| 13 | 90149-05M13-00 | SCREW | 1 | |
| 14 | 90201-10M02-00 | WASHER, PLATE | 2 | |
| 15 | 90501-23800-00 | SPRING, COMPRESSION | 1 | |
| 16 | 90386-08032-00 | BUSH | 1 | |
| 17 | 60R-F6301-10-00 | THROTTLE CABLE ASSY | 2 | |
| 18 | 90447-07005-00 | TUBE | 2 | |
| 19 | 66R-42171-00-00 | BUSHING | 1 | |
| 20 | 90201-43M00-00 | WASHER, PLATE | 2 | |
| 21 | 90206-43M22-00 | WASHER, WAVE | 2 | |
| 22 | 90202-43M57-00 | WASHER, PLATE | 1 | |
| 23 | 90386-40M99-00 | BUSH | 1 | |
| 24 | 66M-42131-01-00 | COVER, HANDLE STEERING | 1 | |
| 25 | 95780-10300-00 | NUT, FLANGE | 1 | |
| 26 | 95380-10700-00 | NUT | 1 | |
| 27 | 66R-44111-00-4D | HANDLE, GEAR SHIFT | 1 | |
| 28 | 66R-44173-00-00 | LEVER, SHIFT CONTROL | 1 | |
| 29 | 90159-06M18-00 | SCREW, WITH WASHER | 3 | |
| 30 | 66R-42129-00-00 | BUSHING, RUBBER | 1 | |
| 31 | 97095-08030-00 | BOLT | 1 | |
| 32 | 92995-08600-00 | WASHER | 1 | |
| 33 | 90386-26MA3-00 | BUSH | 2 | |
| 34 | 90206-26M25-00 | WASHER, WAVE | 1 | |
| 35 | 90202-26M59-00 | WASHER, PLATE | 1 | |
| 36 | 68T-44113-01-00 | CAM PLATE, HANDLE | 1 | |
| 37 | 66R-44116-00-00 | SPRING | 1 | |
| 38 | 66R-44118-00-00 | BRACKET | 1 | |
| 39 | 66R-48538-00-00 | CLAMP, CABLE 1 | 1 | |
| 40 | 63D-48538-00-00 | CLAMP, CABLE 1 | 1 | |
| 41 | 68T-48321-01-00 | CABLE | 1 | |
| 42 | 90446-15002-00 | HOSE | 1 | |
| 43 | 68T-82594-10-00 | CLAMP | 1 | |
| 44 | 90151-05003-00 | SCREW, COUNTERSUNK | 2 | |
| 45 | 99080-04600-00 | CIRCLIP | 1 | |
| 46 | 66R-44114-00-00 | STOPPER | 1 | |
| 47 | 60R-G4191-00-00 | INDICATOR, SHIFT | 1 | |
| 48 | 66R-48344-00-00 | CABLE END, REMOTE CONTROL | 1 | |
| 49 | 90201-06M62-00 | WASHER, PLATE | 1 | |
| 50 | 90170-05M38-00 | NUT | 1 | |
| 51 | 91490-20012-00 | PIN. COTTER | 1 | |
| 52 | 60R-G2121-10-4D | BRACKET | 1 | |
| 53 | 90116-10040-00 | BOLT, STUD | 2 | |
| 54 | 90179-10M33-00 | NUT | 2 | |
| 55 | 60R-E571Y-40-00 | MARK, CAUTION | 1 | |

F8CMLH 0407 / STEERING FRICTION



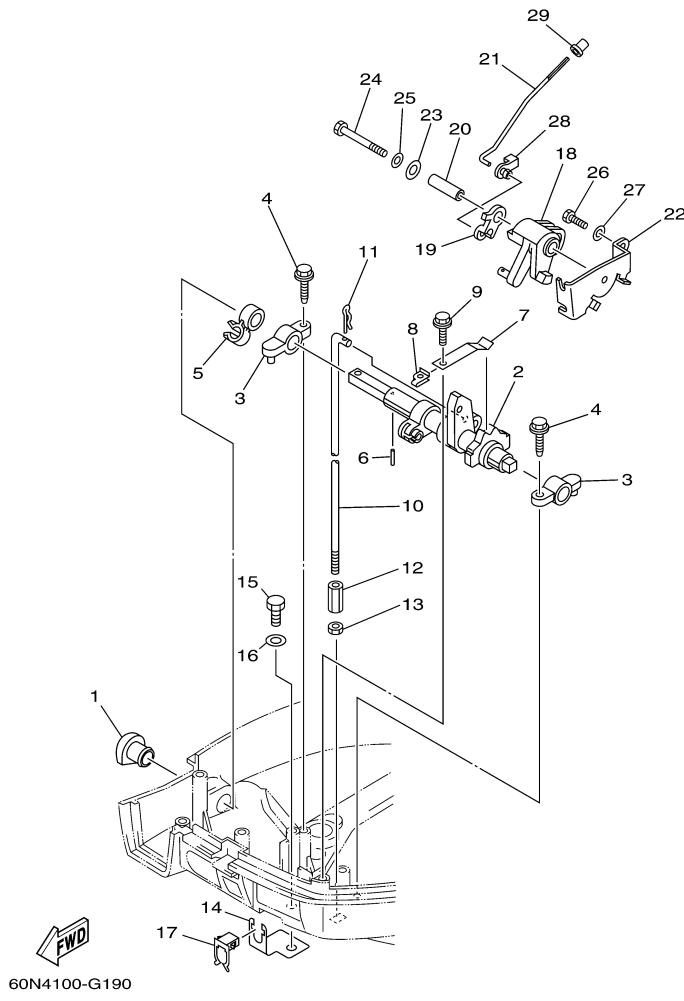
60N2100-E170

Part List

F8CMLH 0407 / STEERING FRICTION

| REF - NO | PART NUMBER | PART NAME | QUANTITY | REMARKS |
|----------------|-----------------|------------------------|----------|---------|
| 1 | 68T-42508-01-00 | STEERING FRICTION ASSY | 1 | |
| 2 | 68T-42525-01-00 | .PLATE, FRICTION | 1 | |
| 3 | 97095-05014-00 | .BOLT | 2 | |
| 4 | 92995-05600-00 | .WASHER | 2 | |
| 5 | 67C-42562-00-00 | .SHAFT, STEERING LOCK | 1 | |
| 6 | 90202-10M56-00 | .WASHER, PLATE | 2 | |
| 7 | 68T-42561-00-00 | .KNOB, STEERING LOCK | 1 | |
| 8 | 689-43633-00-00 | .COVER, TILT LEVER | 1 | |
| 9 | 65W-42528-00-00 | .PLATE, FRICTION | 2 | |
| 10 | 90387-05M05-00 | .COLLAR | 1 | |
| 11 | 90387-05M11-00 | .COLLAR | 1 | |
| 12 | 97095-05020-00 | .BOLT | 1 | |
| 13 | 92995-05600-00 | .WASHER | 1 | |
| 14 | 90209-10M26-00 | .WASHER | 1 | |
| 15 | 90185-10M14-00 | .NUT, SELF-LOCKING | 1 | |
| 16 | 68T-42527-01-00 | .PLATE, FRICTION | 1 | |
| 17 | 90109-08M91-00 | .BOLT | 2 | |
| 18 | 68T-43155-00-00 | .MARK 1 | 1 | |

F8CMLH 0407 / CONTROL



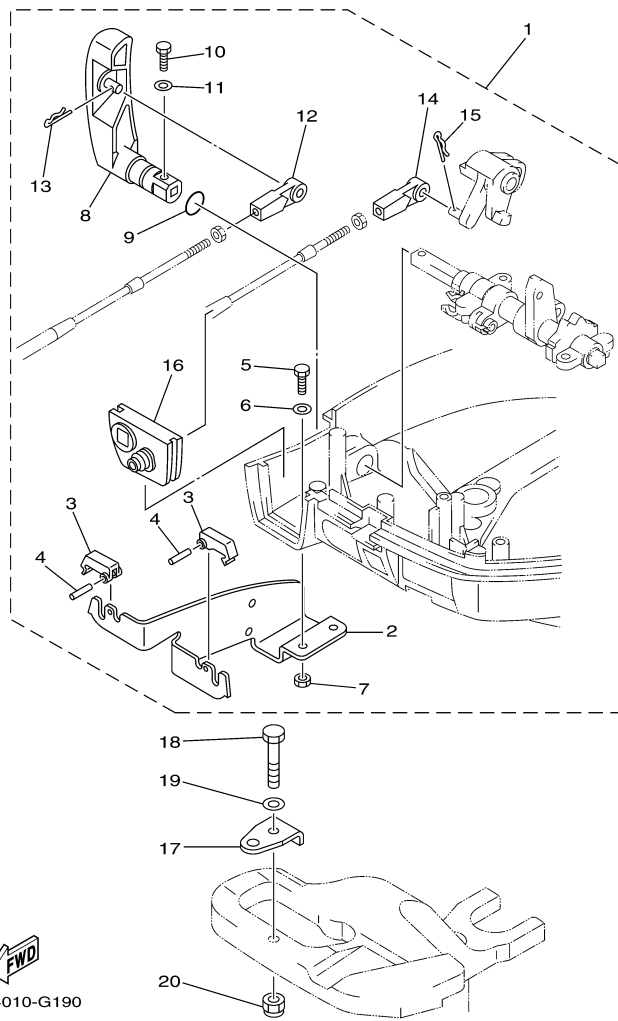
©2014 Yamaha Motor Corporation, U.S.A. All rights reserved.

Part List

F8CMLH 0407 / CONTROL

| REF - NO | PART NUMBER | PART NAME | QUANTITY | REMARKS |
|----------------|-----------------|---------------------|----------|-------------|
| 1 | 68T-42726-00-00 | GROMMET | 1 | |
| 2 | 68T-44121-02-00 | LEVER, SHIFT ROD | 1 | |
| 3 | 6G1-41662-01-94 | BRACKET 2 | 2 | |
| 4 | 90109-06M81-00 | BOLT | 2 | |
| 5 | 90464-10M60-00 | CLAMP | 1 | |
| 6 | 91690-30014-00 | PIN, SPRING | 1 | |
| 7 | 65W-44116-00-00 | SPRING | 1 | |
| 8 | 66R-44117-00-00 | BRACKET | 1 | |
| 9 | 90109-06M86-00 | BOLT | 1 | |
| 10 | 60R-G4143-00-00 | ROD, SHIFT | 1 | UR S(17.1") |
| 10 | 60R-G4143-10-00 | ROD, SHIFT | 1 | UR L(22.1") |
| 11 | 90468-18001-00 | CLIP | 1 | |
| 12 | 90170-06015-00 | NUT | 1 | |
| 13 | 95380-06700-00 | NUT | 1 | |
| 14 | 68T-48538-00-00 | CLAMP, CABLE 1 | 1 | |
| 15 | 97095-06012-00 | BOLT | 1 | |
| 16 | 92995-06600-00 | WASHER | 1 | |
| 17 | 63D-48538-00-00 | CLAMP, CABLE 1 | 1 | |
| 18 | 68T-41638-00-00 | PULLEY | 1 | |
| 19 | 68T-41283-00-00 | LEVER, FREE ACCEL. | 1 | UR F8C |
| 20 | 90387-06M59-00 | COLLAR | 1 | |
| 21 | 6AU-41211-00-00 | LINK, ACCEL. | 1 | |
| 22 | 68T-14497-00-00 | STAY, THROTTLE WIRE | 1 | |
| 23 | 90201-06M62-00 | WASHER, PLATE | 1 | |
| 24 | 97095-06045-00 | .BOLT | 1 | |
| 25 | 92995-06600-00 | WASHER | 1 | |
| 26 | 97095-06012-00 | BOLT | 1 | |
| 27 | 92995-06600-00 | WASHER | 1 | |
| 28 | 661-41262-02-00 | JOINT, CHOKE LEVER | 1 | |
| 29 | 647-14395-60-00 | CAP, OVERFLOW PIPE | 1 | |

F8CMLH 0407 / REMO CON ATTACHMENT



©2014 Yamaha Motor Corporation, U.S.A. All rights reserved.



Part List

F8CMLH 0407 / REMO CON ATTACHMENT

| REF - NO | PART NUMBER | PART NAME | QUANTITY | REMARKS |
|----------|-----------------|-------------------------------|----------|---------|
| 1 | 60R-G8501-00-00 | REMOTE CONT. ATTACHMENT ASSY. | 1 | AP |
| 2 | 68T-48531-00-00 | .BRACKET, REMOTE CONTROL 1 | 1 | |
| 3 | 682-48538-50-00 | .CLAMP, CABLE 1 | 2 | |
| 4 | 91690-30012-00 | .PIN, SPRING | 2 | |
| 5 | 97095-06012-00 | .BOLT | 2 | |
| 6 | 92995-06600-00 | .WASHER | 2 | |
| 7 | 95380-06600-00 | .NUT, HEXAGON | 2 | |
| 8 | 60R-G4111-10-00 | .HANDLE, GEAR SHIFT | 1 | |
| 9 | 93210-12327-00 | .O-RING | 1 | |
| 10 | 97095-05016-00 | .BOLT | 1 | |
| 11 | 92995-05600-00 | .WASHER | 1 | |
| 12 | 663-48344-00-00 | .CABLE END, REMOTE CONTROL | 1 | |
| 13 | 90468-18008-00 | .CLIP | 1 | |
| 14 | 663-48344-00-00 | .CABLE END, REMOTE CONTROL | 1 | |
| 15 | 90468-18008-00 | .CLIP | 1 | |
| 16 | 68T-42725-10-00 | .GROMMET | 1 | |
| 17 | 63V-48511-01-00 | HOOK, STEERING | 1 | AP F8C |
| 18 | 97075-08035-00 | BOLT | 1 | AP F8C |
| 19 | 92995-08600-00 | WASHER | 1 | AP F8C |
| 20 | 90185-08057-00 | NUT, SELF-LOCKING | 1 | AP F8C |

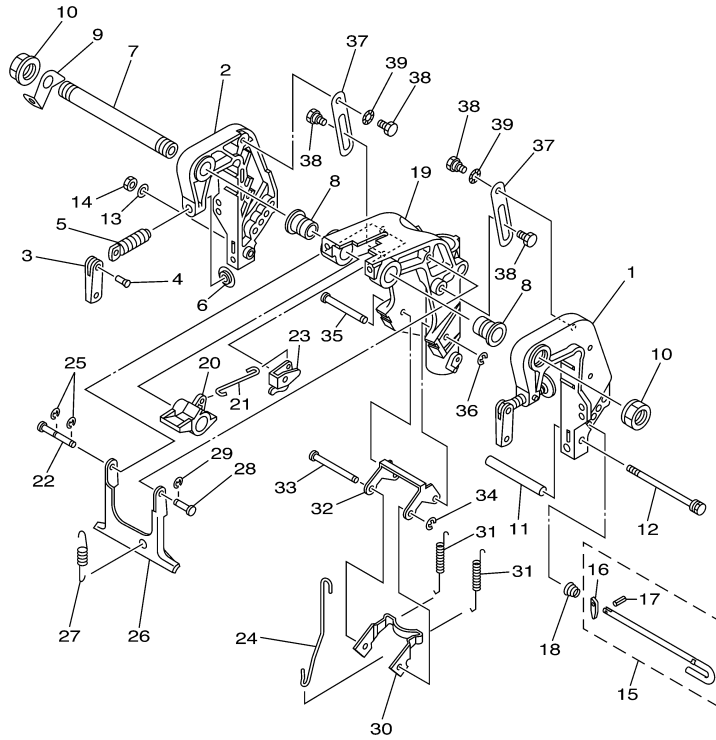
Part Notes

F8CMLH 0407 / REMO CON ATTACHMENT

| PART NUMBER | NOTE TEXT |
|--|--|
| 90468-18008-00  | OEM: This part number is among the Top 100 Most Popular Marine Maintenance Parts as of March 2014. |
| 90468-18008-00  | OEM: This part number is among the Top 100 Most Popular Marine Maintenance Parts as of March 2014. |

©2014 Yamaha Motor Corporation, U.S.A. All rights reserved.

F8CMLH 0407 / BRACKET 1



68R3110-C200


Part List

F8CMLH 0407 / BRACKET 1

| REF - NO | PART NUMBER | PART NAME | QUANTITY | REMARKS |
|----------|-----------------|---------------------------------|----------|-------------|
| 1 | 60R-G3111-01-4D | BRACKET, CLAMP 1 | 1 | |
| 2 | 60R-G3112-01-4D | BRACKET, CLAMP 2 | 1 | |
| 3 | 6L8-G3118-01-00 | HANDLE, TRANSOM CLAMP | 2 | |
| 4 | 90243-04M01-00 | PIN | 2 | |
| 5 | 6E7-43116-00-00 | SCREW, TRANSOM CLAMP | 2 | |
| 6 | 648-43114-01-00 | PAD, TRANSOM CLAMP | 2 | |
| 7 | 68T-43131-00-00 | BOLT, CLAMP BRACKET (L:215.5MM) | 1 | |
| 8 | 90386-22MA4-00 | BUSH | 2 | |
| 9 | 66R-43113-00-00 | PLATE, CLAMP BRACKET | 1 | |
| 10 | 90185-22043-00 | NUT, SELF-LOCKING | 2 | |
| 11 | 90387-06M13-00 | COLLAR | 1 | |
| 12 | 90101-06M18-00 | BOLT | 1 | |
| 13 | 92990-06600-00 | WASHER, PLATE | 1 | |
| 14 | 95380-06700-00 | NUT | 1 | |
| 15 | 6L2-43160-01-00 | TILT ROD ASSY | 1 | |
| 16 | 689-43165-00-00 | .PLATE, TILT LOCK | 1 | |
| 17 | 91690-30008-00 | .PIN, SPRING | 1 | |
| 18 | 90502-10M07-00 | SPRING, CONICAL | 1 | |
| 19 | 60R-G3311-00-4D | BRACKET, SWIVEL 1 | 1 | UR S(17.1") |
| 19 | 60R-G3311-10-4D | BRACKET, SWIVEL 1 | 1 | UR L(22.1") |
| 20 | 60R-G3631-00-00 | LEVER, TILT | 1 | |
| 21 | 60R-G3616-00-00 | ROD, TILT LOCK | 1 | |
| 22 | 68T-43646-00-00 | SHAFT, LEVER | 1 | |
| 23 | 68T-43641-00-00 | LEVER, TILT | 1 | |
| 24 | 68T-43617-00-00 | ROD, TILT LOCK | 1 | |
| 25 | 99080-05600-00 | CIRCLIP | 2 | |
| 26 | 68T-43350-00-00 | RECEIVER ASSY | 1 | |
| 27 | 90506-20005-00 | SPRING, TENSION | 1 | UR L(22.1") |
| 27 | 90506-18M41-00 | SPRING, TENSION | 1 | UR S(17.1") |
| 28 | 63V-43191-00-00 | SHAFT, STOPPER | 1 | |
| 29 | 99080-05600-00 | CIRCLIP | 1 | |
| 30 | 68T-43614-00-00 | PLATE, TILT LOCK | 1 | |
| 31 | 90506-20806-00 | SPRING, TENSION | 2 | UR S(17.1") |
| 31 | 90506-23803-00 | SPRING, TENSION | 2 | UR L(22.1") |
| 32 | 68T-43615-00-00 | PLATE, TILT LOCK | 1 | |
| 33 | 68T-43611-00-00 | SHAFT, TILT LOCK | 1 | |
| 34 | 93430-04M03-00 | CIRCLIP | 1 | |
| 35 | 68T-43659-00-00 | SHAFT, REVERSE LOCK | 1 | |
| 36 | 99080-05600-00 | CIRCLIP | 1 | |
| 37 | 68T-43627-00-00 | STOPPER | 2 | |
| 38 | 90109-06M84-00 | BOLT | 4 | |
| 39 | 90206-10M24-00 | WASHER, WAVE | 2 | |

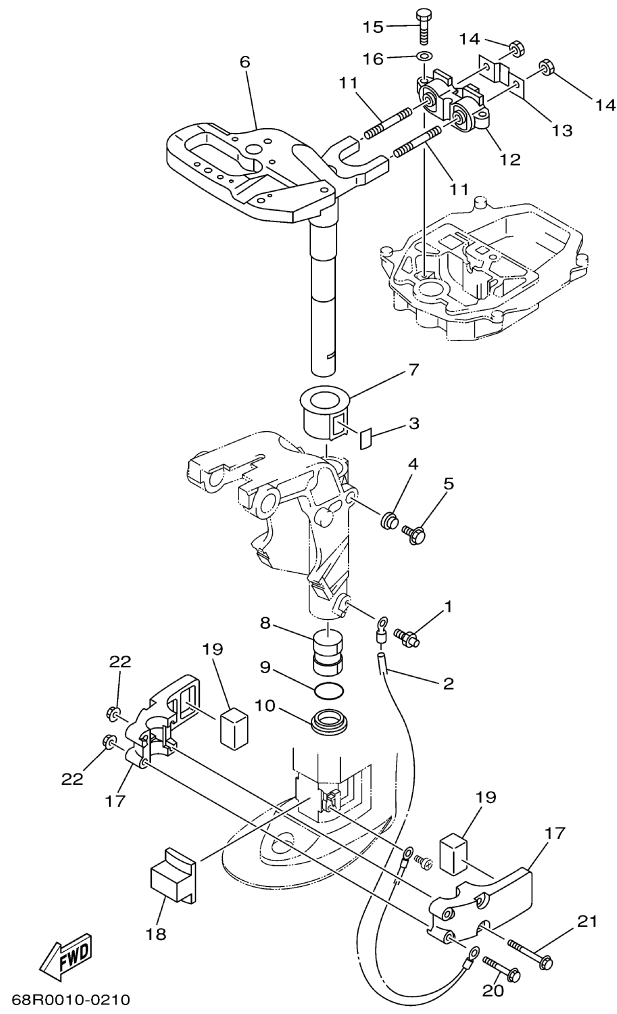
Part Notes

F8CMLH 0407 / BRACKET 1

| PART NUMBER | NOTE TEXT |
|--|--|
| 92990-06600-00  | OEM: This part number is among the Top 100 Most Popular Marine Maintenance Parts as of March 2014. |

©2014 Yamaha Motor Corporation, U.S.A. All rights reserved.

F8CMLH 0407 / BRACKET 2



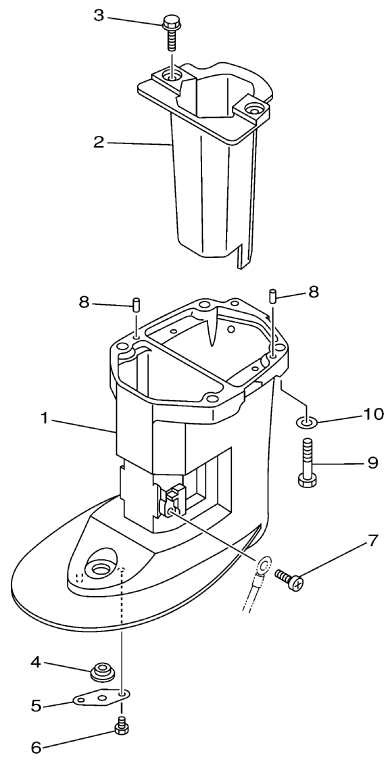
©2014 Yamaha Motor Corporation, U.S.A. All rights reserved.

Part List

F8CMLH 0407 / BRACKET 2

| REF - NO | PART NUMBER | PART NAME | QUANTITY | REMARKS |
|----------------|-----------------|----------------------------------|----------|-------------|
| 1 | 93700-06M03-00 | NIPPLE, GREASE | 1 | |
| 2 | 68T-82127-00-00 | WIRE, LEAD 2 | 1 | |
| 3 | 63V-42528-00-00 | PLATE, FRICTION | 1 | |
| 4 | 689-43373-01-00 | SEAL, DAMPER | 1 | |
| 5 | 90105-06M07-00 | .BOLT, FLANGE | 1 | |
| 6 | 60R-G2511-11-4D | BRACKET, STEERING | 1 | UR L(22.1") |
| 6 | 60R-G2511-01-4D | BRACKET, STEERING | 1 | UR S(17.1") |
| 7 | 63V-42537-00-00 | BUSHING, PIVOT SHAFT | 1 | |
| 8 | 90386-30048-00 | BUSH | 1 | |
| 9 | 93210-29M94-00 | O-RING | 1 | |
| 10 | 90386-30M60-00 | BUSH | 1 | |
| 11 | 90116-08M54-00 | BOLT, STUD | 2 | |
| 12 | 68T-44517-00-94 | MOUNT RUBBER | 1 | |
| 13 | 68T-44526-00-00 | PLATE | 1 | |
| 14 | 95380-08600-00 | NUT | 2 | |
| 15 | 97075-06025-00 | BOLT | 2 | |
| 16 | 92995-06600-00 | WASHER | 2 | |
| 17 | 68T-44551-00-4D | HOUSING, LOWER MOUNT RUBBER 1 | 2 | |
| 18 | 60R-G4557-00-00 | MOUNT DAMPER, LOWER FRONT | 1 | |
| 19 | 60R-G4555-00-00 | MOUNT DAMPER, LOWER SIDE | 2 | |
| 20 | 90119-06012-00 | BOLT, WITH WASHER | 2 | |
| 21 | 90119-06013-00 | BOLT, WITH WASHER | 2 | |
| 22 | 90179-06M28-00 | NUT | 4 | |

F8CMLH 0407 / UPPER CASING



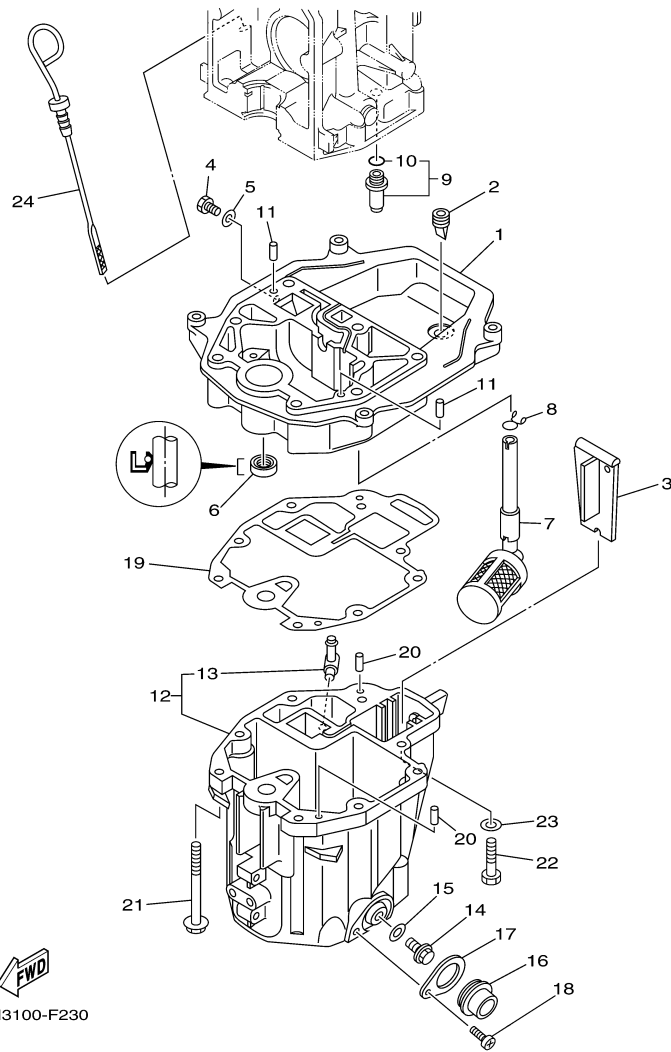
68R0010-0220

Part List

F8CMLH 0407 / UPPER CASING

| REF - NO | PART NUMBER | PART NAME | QUANTITY | REMARKS |
|----------------|-----------------|-------------------|----------|-------------|
| 1 | 60R-G5111-00-4D | CASING, UPPER | 1 | UR S(17.1") |
| 1 | 60R-G5111-10-4D | CASING, UPPER | 1 | UR L(22.1") |
| 2 | 60R-E4711-00-5B | MUFFLER 1 | 1 | |
| 3 | 97575-06514-00 | BOLT, WITH WASHER | 2 | |
| 4 | 90480-14M54-00 | GROMMET | 1 | |
| 5 | 68T-45321-00-00 | PLATE | 1 | |
| 6 | 97095-06008-00 | BOLT | 1 | |
| 7 | 97885-05008-00 | SCREW, PAN HEAD | 1 | |
| 8 | 93604-12M07-00 | PIN, DOWEL | 2 | |
| 9 | 97075-08035-00 | BOLT | 4 | |
| 10 | 92995-08600-00 | WASHER | 4 | |

F8CMLH 0407 / OIL PAN



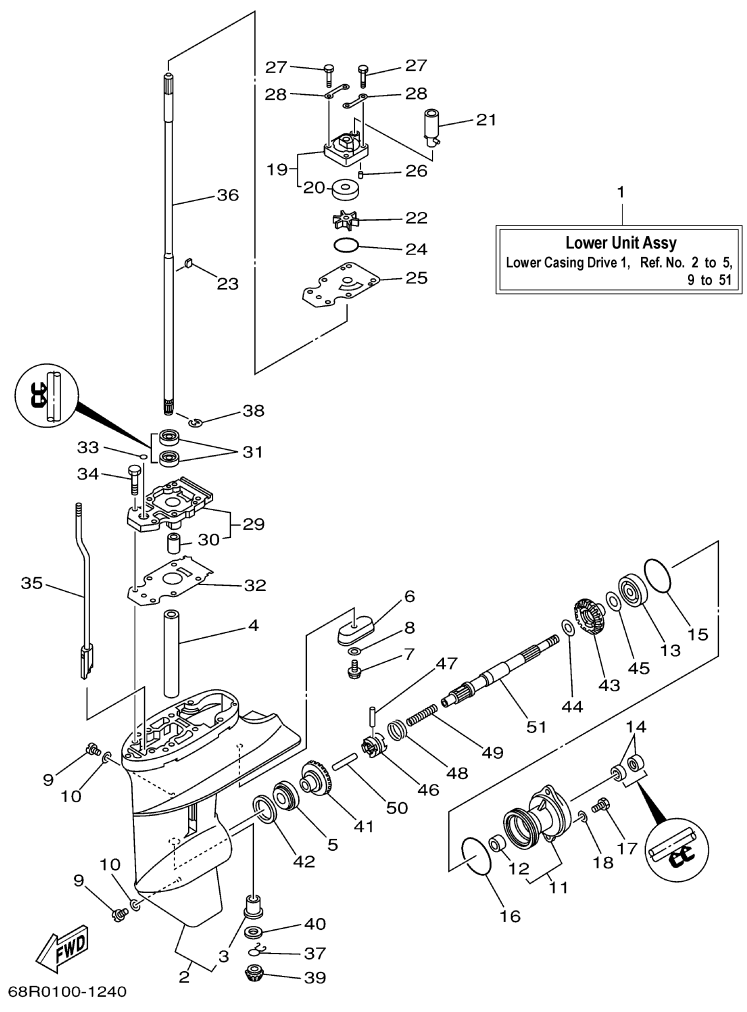
©2014 Yamaha Motor Corporation, U.S.A. All rights reserved.

Part List

F8CMLH 0407 / OIL PAN

| REF - NO | PART NUMBER | PART NAME | QUANTITY | REMARKS |
|----------------|-----------------|----------------------|----------|---------|
| 1 | 60R-G1137-00-94 | GUIDE, EXHAUST | 1 | |
| 2 | 60S-G2717-00-00 | RUBBER, SEAL 2 | 1 | |
| 3 | 60R-G5181-00-00 | PLATE | 1 | |
| 4 | 97095-08014-00 | BOLT | 1 | |
| 5 | 90430-08800-00 | .GASKET | 1 | |
| 6 | 93101-12M70-00 | .OIL SEAL | 1 | |
| 7 | 68T-13421-01-00 | STRAINER 2 | 1 | |
| 8 | 90467-11M08-00 | CLIP | 1 | |
| 9 | 6G8-11575-00-00 | RELIEF VALVE ASSY | 1 | |
| 10 | 93210-12M62-00 | .O-RING | 1 | |
| 11 | 93606-19M23-00 | PIN, DOWEL | 2 | |
| 12 | 60R-E5311-00-5B | OIL PAN | 1 | |
| 13 | 6H1-11372-00-00 | .NIPPLE, HOSE | 1 | |
| 14 | 90340-10M10-00 | PLUG, STRAIGHT SCREW | 1 | |
| 15 | 90430-10M11-00 | .GASKET | 1 | |
| 16 | 60R-E5316-00-00 | DAMPER 1 | 1 | |
| 17 | 68T-15317-00-00 | SPACER, ENGINE MOUNT | 1 | |
| 18 | 97885-05008-00 | SCREW, PAN HEAD | 1 | |
| 19 | 68T-13475-00-00 | .GASKET | 1 | |
| 20 | 93604-12M07-00 | PIN, DOWEL | 2 | |
| 21 | 90119-08005-00 | BOLT, WITH WASHER | 6 | |
| 22 | 97075-08030-00 | BOLT | 2 | |
| 23 | 92995-08600-00 | WASHER | 2 | |
| 24 | 68T-15362-00-00 | PLUG, OIL LEVEL | 1 | |

F8CMLH 0407 / LOWER CASING DRIVE 1



©2014 Yamaha Motor Corporation, U.S.A. All rights reserved.

Part List


F8CMLH 0407 / LOWER CASING DRIVE 1

| REF - NO | PART NUMBER | PART NAME | QUANTITY | REMARKS |
|----------|-----------------|--------------------------|----------|-------------|
| 1 | 60R-G5300-10-4D | LOWER UNIT ASSY | 1 | UR L(22.1") |
| 1 | 60R-G5300-00-4D | LOWER UNIT ASSY | 1 | UR S(17.1") |
| 2 | 60R-G5311-00-4D | CASING, LOWER | 1 | |
| 3 | 6G1-45317-09-00 | .BUSHING, DRIVE SHAFT | 1 | |
| 4 | 90387-14M49-00 | COLLAR | 1 | |
| 5 | 93306-004YH-00 | BEARING | 1 | |
| 6 | 68T-45251-00-00 | ANODE | 1 | |
| 7 | 95895-06016-00 | BOLT, FLANGE | 1 | |
| 8 | 92990-06300-00 | WASHER, INTERNAL TOOTH | 1 | |
| 9 | 90340-08002-00 | PLUG, STRAIGHT SCREW | 2 | |
| 10 | 90430-08020-00 | .GASKET | 2 | |
| 11 | 6N0-G5361-00-4D | CAP, LOWER CASING | 1 | |
| 12 | 6G1-45362-09-00 | .BUSHING | 1 | |
| 13 | 93306-004YH-00 | BEARING | 1 | |
| 14 | 93101-15074-00 | .OIL SEAL | 2 | |
| 15 | 93210-49046-00 | .O-RING | 1 | |
| 16 | 93210-53M08-00 | .O-RING | 1 | |
| 17 | 97095-06016-00 | BOLT | 2 | |
| 18 | 92995-06600-00 | WASHER | 2 | |
| 19 | 63V-44301-00-00 | WATER PUMP HOUSING COMP. | 1 | |
| 20 | 63V-44322-00-00 | .INSERT, CARTRIDGE | 1 | |
| 21 | 68T-44366-00-00 | .DAMPER, WATER SEAL 2 | 1 | |
| 22 | 68T-44352-00-00 | .IMPELLER | 1 | |
| 23 | 664-44338-00-00 | .KEY, WOODRUFF | 1 | |
| 24 | 93210-44398-00 | .O-RING | 1 | |
| 25 | 68T-44323-00-00 | .OUTER PLATE, CARTRIDGE | 1 | |
| 26 | 93604-12M07-00 | PIN, DOWEL | 2 | |
| 27 | 97080-08045-00 | BOLT | 4 | |
| 28 | 63V-44328-00-00 | PLATE | 2 | |
| 29 | 60R-G5331-00-5B | HOUSING, BEARING | 1 | |
| 30 | 6G1-45316-09-00 | .BUSHING, DRIVE SHAFT | 1 | |
| 31 | 93101-11M23-00 | .OIL SEAL | 2 | |
| 32 | 68T-45315-A0-00 | .PACKING, LOWER CASING | 1 | |
| 33 | 93210-06ME6-00 | .O-RING | 1 | |
| 34 | 97080-08025-00 | BOLT | 2 | |
| 35 | 60R-G4150-00-00 | SHIFT CAM ASSY | 1 | |
| 36 | 68T-45511-10-00 | SHAFT, DRIVE | 1 | UR L(22.1") |
| 36 | 68T-45511-00-00 | SHAFT, DRIVE | 1 | UR S(17.1") |
| 37 | 90467-09M05-00 | CLIP | 1 | |
| 38 | 99001-07600-00 | CIRCLIP | 1 | |
| 39 | 6N0-G5551-A0-00 | PINION (13T) | 1 | |
| 40 | 6G1-45533-00-00 | SHIM (T:1.90MM) | 1 | UR |
| 40 | 6G1-45533-30-00 | SHIM (T:2.20MM) | 1 | UR |
| 40 | 6G1-45533-20-00 | SHIM (T:2.10MM) | 1 | UR |
| 40 | 6G1-45533-10-00 | SHIM (T:2.00MM) | 1 | UR |
| 41 | 60R-G5560-00-00 | GEAR 1 (27T) | 1 | |
| 42 | 664-45587-01-00 | SHIM (T:0.10MM) | 1 | UR |
| 42 | 664-45587-10-00 | SHIM (T:0.12MM) | 1 | UR |
| 42 | 664-45587-20-00 | SHIM (T:0.15MM) | 1 | UR |
| 42 | 664-45587-60-00 | SHIM (T:0.50MM) | 1 | UR |
| 42 | 664-45587-40-00 | SHIM (T:0.30MM) | 1 | UR |
| 42 | 664-45587-50-00 | SHIM (T:0.40MM) | 1 | UR |
| 42 | 664-45587-30-00 | SHIM (T:0.18MM) | 1 | UR |
| 43 | 60R-G5571-00-00 | GEAR 2 (27T) | 1 | |
| 44 | 90201-15M89-00 | WASHER, PLATE | 1 | |
| 45 | 647-45567-00-00 | SHIM (T:0.10MM) | 1 | UN |
| 46 | 68T-45631-00-00 | CLUTCH, DOG | 1 | |
| 47 | 6G1-45632-00-00 | PIN, CROSS | 1 | |
| 48 | 654-45633-00-00 | RING, CROSS PIN | 1 | |

| | | | | |
|----|-----------------|---------------------|---|--|
| 49 | 90501-12M05-00 | SPRING, COMPRESSION | 1 | |
| 50 | 6G1-45635-00-00 | PLUNGER, SHIFT | 1 | |
| 51 | 68T-45611-00-00 | SHAFT, PROPELLER | 1 | |

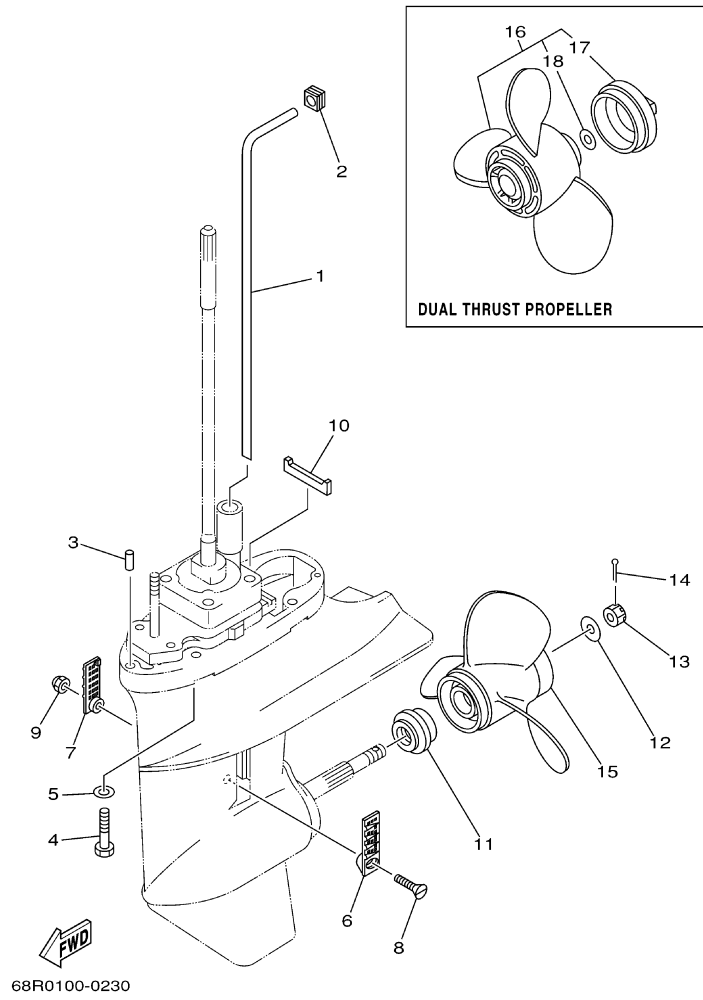
Part Notes

F8CMLH 0407 / LOWER CASING DRIVE 1

| PART NUMBER | | NOTE TEXT |
|----------------|---|--|
| 90430-08020-00 |  | OEM: This part number is among the Top 100 Most Popular Marine Maintenance Parts as of March 2014. |

©2014 Yamaha Motor Corporation, U.S.A. All rights reserved.

F8CMLH 0407 / LOWER CASING DRIVE 2



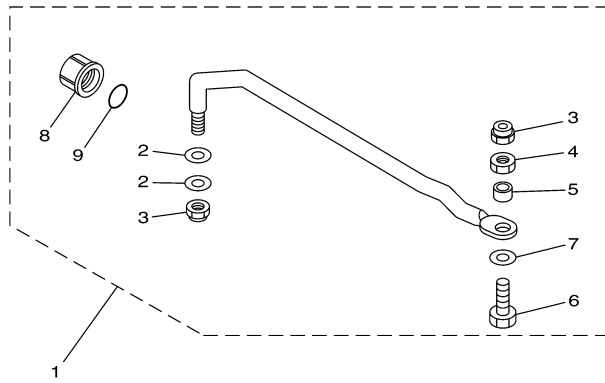
©2014 Yamaha Motor Corporation, U.S.A. All rights reserved.

Part List

F8CMLH 0407 / LOWER CASING DRIVE 2

| REF - NO | PART NUMBER | PART NAME | QUANTITY | REMARKS |
|----------------|-----------------|-------------------------------|----------|-------------|
| 1 | 68T-44361-10-00 | TUBE, WATER 1 | 1 | UR L(22.1") |
| 1 | 68T-44361-00-00 | TUBE, WATER 1 | 1 | UR S(17.1") |
| 2 | 63V-44365-10-00 | DAMPER, WATER SEAL 1 | 1 | |
| 3 | 93604-12M07-00 | PIN, DOWEL | 2 | |
| 4 | 97075-08035-00 | BOLT | 4 | |
| 5 | 92995-08600-00 | WASHER | 4 | |
| 6 | 6G1-45214-00-00 | COVER, WATER INLET 1 | 1 | |
| 7 | 6G1-45215-00-00 | COVER, WATER INLET 2 | 1 | |
| 8 | 90152-05M03-00 | SCREW, COUNTERSUNK | 1 | |
| 9 | 90185-05002-00 | NUT, NYLON | 1 | |
| 10 | 63V-45375-00-00 | DAMPER, SEAL | 1 | |
| 11 | 6N0-G5987-10-00 | SPACER 1 | 1 | |
| 12 | 90201-10M01-00 | WASHER, PLATE | 1 | |
| 13 | 90171-10M01-00 | NUT, CASTLE | 1 | |
| 14 | 91490-30020-00 | PIN. COTTER | 1 | |
| 15 | 6G1-45941-00-EL | PROPELLER (3X8-1/2"X8-1/2"-N) | 1 | UR |
| 15 | 6G1-45952-00-EL | PROPELLER (3X8-1/2"X8"-N) | 1 | UR |
| 15 | 6G1-45947-00-EL | PROPELLER (3X8-1/2"X6-1/2"-N) | 1 | UR |
| 15 | 6G1-45943-00-EL | PROPELLER (3X8-1/2"X7-1/2"-N) | 1 | UR |
| 16 | 6G1-W4592-00-EL | PROP. DUAL THRUST | 1 | UR |
| 16 | 6G1-W4591-01-EL | PROPELLER (3X9"X7"-N) | 1 | UR |
| 17 | 6G1-45616-01-00 | .NUT, PROPELLER | 1 | |
| 18 | 90201-10M02-00 | .WASHER, PLATE | 1 | |

F8CMLH 0407 / STEERING GUIDE



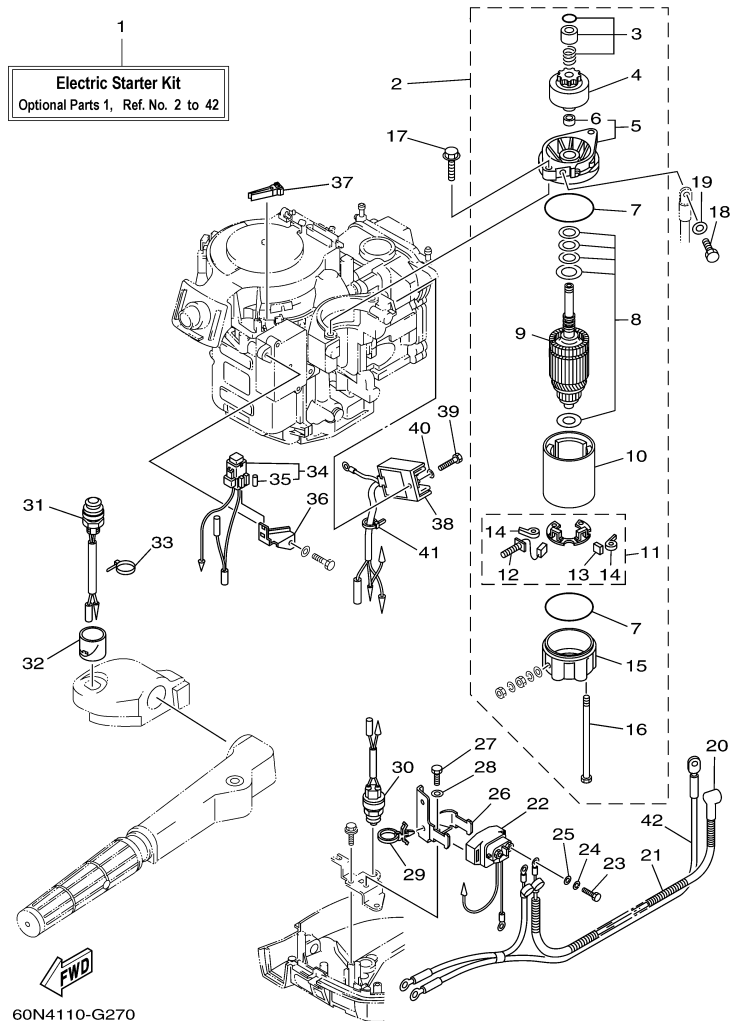
6AU1100-G300

Part List

F8CMLH 0407 / STEERING GUIDE

| REF - NO | PART NUMBER | PART NAME | QUANTITY | REMARKS |
|----------------|-----------------|----------------------------------|----------|---------|
| 1 | 68T-61350-10-00 | STEERING GUIDE ATTACHMENT KIT | 1 | AP F8C |
| 2 | 90201-10M20-00 | .WASHER, PLATE | 2 | |
| 3 | 90185-09M01-00 | .NUT, SELF-LOCKING | 2 | |
| 4 | 90170-09M03-00 | .NUT | 1 | |
| 5 | 90387-10M42-00 | .COLLAR | 1 | |
| 6 | 6E5-61355-00-00 | .BOLT | 1 | |
| 7 | 90201-10M63-00 | .WASHER, PLATE | 1 | |
| 8 | 6E5-43145-01-00 | .CAP, CLAMP BRACKET | 1 | |
| 9 | 93210-16275-00 | .O-RING | 1 | |

F8CMLH 0407 / OPTIONAL PARTS 1



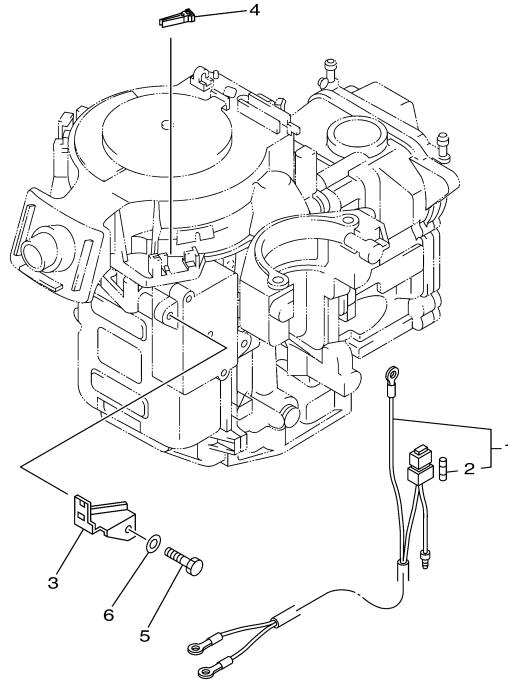
©2014 Yamaha Motor Corporation, U.S.A. All rights reserved.

Part List

F8CMLH 0407 / OPTIONAL PARTS 1

| REF - NO | PART NUMBER | PART NAME | QUANTITY | REMARKS |
|----------------|-----------------|-------------------------------|----------|---------|
| 1 | 68R-W8180-10-00 | ELECTRIC STARTER KIT | 1 | AP F8C |
| 2 | 68T-81800-00-00 | STARTING MOTOR ASSY | 1 | |
| 3 | 68T-81857-00-00 | .RETAINER | 1 | |
| 4 | 689-81807-12-00 | .GEAR ASSY, STARTING MOTOR | 1 | |
| 5 | 6F5-81830-10-00 | .FRONT BRACKET ASSY | 1 | |
| 6 | 689-81831-00-00 | ..METAL, FRONT | 1 | |
| 7 | 689-81847-11-00 | .O-RING | 2 | |
| 8 | 689-81809-11-00 | .WASHER KIT | 1 | |
| 9 | 689-81850-11-00 | .ARMATURE ASSY | 1 | |
| 10 | 689-81810-11-00 | .STATOR ASSY | 1 | |
| 11 | 689-81840-11-00 | .BRUSH HOLDER ASSY | 1 | |
| 12 | 689-81811-11-00 | ..BRUSH 1 | 1 | |
| 13 | 689-81812-11-00 | ..BRUSH 2 | 1 | |
| 14 | 689-81813-10-00 | ..SPRING, BRUSH | 2 | |
| 15 | 689-81820-11-00 | .REAR BRACKET ASSY | 1 | |
| 16 | 689-81826-10-00 | .BOLT | 2 | |
| 17 | 90119-08M76-00 | BOLT, WITH WASHER | 2 | |
| 18 | 97095-08016-00 | BOLT | 1 | |
| 19 | 92995-08600-00 | WASHER | 1 | |
| 20 | 6G8-82117-00-00 | WIRE, LEAD | 1 | |
| 21 | 90446-10M86-00 | HOSE (L140) | 1 | |
| 22 | 68T-81940-00-00 | STARTER RELAY ASSY | 1 | |
| 23 | 97095-06010-00 | BOLT | 2 | |
| 24 | 92995-06100-00 | WASHER, SPRING | 2 | |
| 25 | 92995-06600-00 | WASHER | 2 | |
| 26 | 68T-81945-00-00 | PLATE, SWITCH FITTING | 1 | |
| 27 | 97095-06012-00 | BOLT | 1 | |
| 28 | 92995-06600-00 | WASHER | 1 | |
| 29 | 90465-12M56-00 | CLAMP | 1 | |
| 30 | 6F5-82540-01-00 | NEUTRAL SWITCH ASSY | 1 | |
| 31 | 68T-81870-00-00 | STARTING SWITCH ASSY | 1 | |
| 32 | 68T-81821-00-00 | COVER, SWITCH | 1 | |
| 33 | 90465-11M10-00 | CLAMP | 1 | |
| 34 | 68T-82150-00-00 | FUSE HOLDER ASSY | 1 | |
| 35 | 66V-82151-00-00 | .FUSE (10A-BL) | 2 | |
| 36 | 68T-82171-00-00 | STAY, FUSE BOX | 1 | |
| 37 | 67F-2812A-00-00 | .PULLER, FUSE | 1 | |
| 38 | 68T-81960-00-00 | RECTIFIER & REGULATOR ASSY | 1 | |
| 39 | 97095-06012-00 | BOLT | 1 | |
| 40 | 92995-06600-00 | WASHER | 1 | |
| 41 | 90465-11M10-00 | CLAMP | 1 | |
| 42 | 68T-82105-00-00 | BATTERY CABLE (L: 2.1M) | 1 | |

F8CMLH 0407 / OPTIONAL PARTS 2



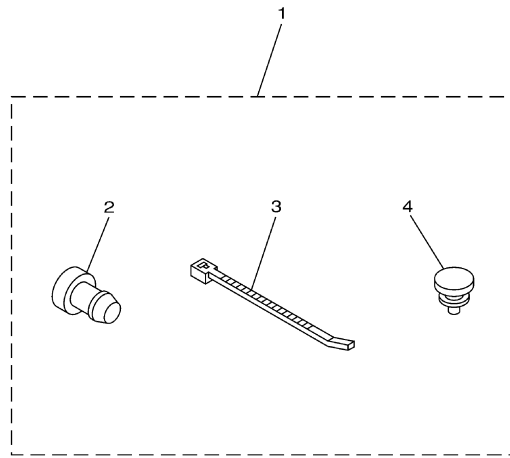
60N4300-G280

Part List

F8CMLH 0407 / OPTIONAL PARTS 2

| REF - NO | PART NUMBER | PART NAME | QUANTITY | REMARKS |
|----------------|-----------------|----------------|----------|---------|
| 1 | 68T-81949-00-00 | WIRE, LEAD | 1 | AP |
| 2 | 66V-82151-00-00 | .FUSE (10A-BL) | 2 | |
| 3 | 68T-82171-00-00 | STAY, FUSE BOX | 1 | AP |
| 4 | 67F-2812A-00-00 | .PULLER, FUSE | 1 | AP |
| 5 | 97095-06012-00 | BOLT | 1 | AP |
| 6 | 92995-06600-00 | WASHER | 1 | AP |

F8CMLH 0407 / OPTIONAL PARTS 3



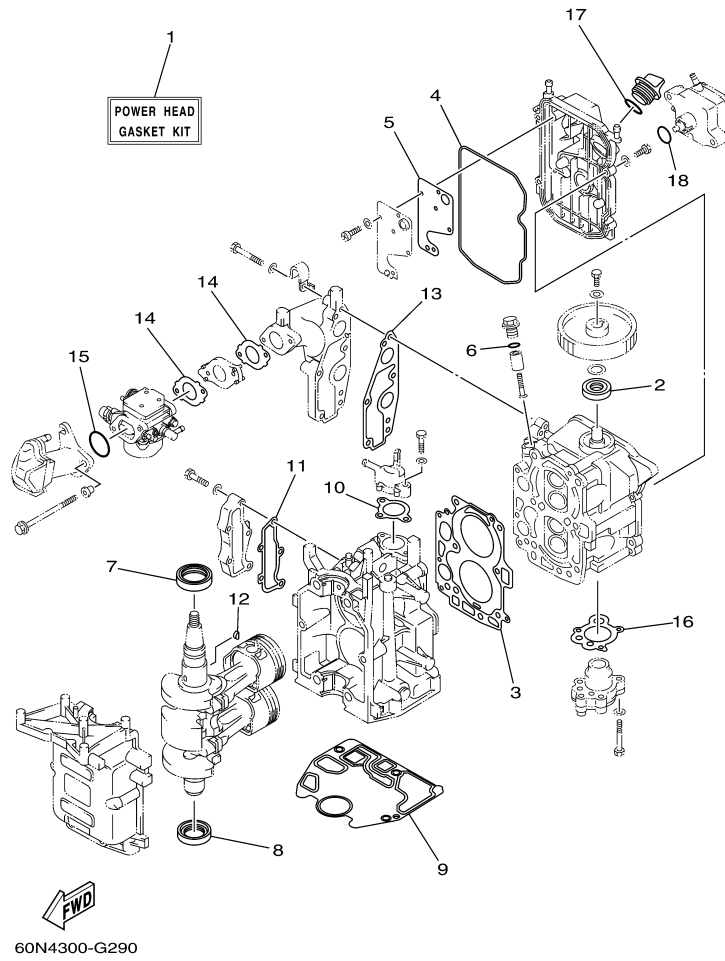
68R1100-2290

Part List

F8CMLH 0407 / OPTIONAL PARTS 3

| REF - NO | PART NUMBER | PART NAME | QUANTITY | REMARKS |
|----------------|-----------------|--------------------------|----------|---------|
| 1 | 69G-W1257-00-00 | FLUSHING ELIMINATION KIT | 1 | AP |
| 2 | 90338-07M16-00 | .PLUG | 1 | |
| 3 | 90465-11M10-00 | .CLAMP | 1 | |
| 4 | 90480-06M19-00 | .GROMMET | 2 | |

F8CMLH 0407 / REPAIR KIT 1



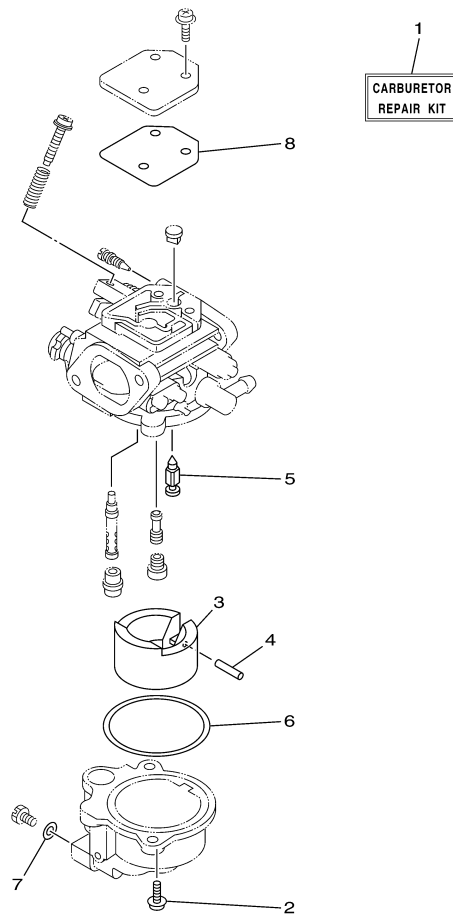
©2014 Yamaha Motor Corporation, U.S.A. All rights reserved.

Part List

F8CMLH 0407 / REPAIR KIT 1

| REF - NO | PART NUMBER | PART NAME | QUANTITY | REMARKS |
|----------------|-----------------|---------------------------------|----------|---------|
| 1 | 68T-W0001-00-00 | POWER HEAD GASKET KIT | 1 | |
| 2 | 93102-18M21-00 | .OIL SEAL | 1 | |
| 3 | 68T-11181-00-00 | .GASKET, CYLINDER HEAD 1 | 1 | |
| 4 | 68T-11356-00-00 | .SEAL, CYLINDER 2 | 1 | |
| 5 | 68T-11169-A0-00 | .GASKET, BREATHER COVER | 1 | |
| 6 | 93210-13M63-00 | .O-RING | 1 | |
| 7 | 93102-30M22-00 | .OIL SEAL | 1 | |
| 8 | 93101-25M69-00 | .OIL SEAL | 1 | |
| 9 | 68T-11351-00-00 | .GASKET, CYLINDER | 1 | |
| 10 | 60R-E2414-A0-00 | .GASKET, COVER | 1 | |
| 11 | 68T-41114-A0-00 | .GASKET, EXHAUST OUTER COVER | 1 | |
| 12 | 90280-03M01-00 | .KEY, WOODRUFF | 1 | |
| 13 | 68T-13645-00-00 | .GASKET, MANIFOLD 1 | 1 | |
| 14 | 60R-E3646-A0-00 | .GASKET, MANIFOLD 2 | 2 | |
| 15 | 93210-31MJ5-00 | .O-RING | 1 | |
| 16 | 68T-13329-00-00 | .GASKET, PUMP COVER | 1 | |
| 17 | 93210-24M79-00 | .O-RING | 1 | |
| 18 | 93210-20M65-00 | .O-RING | 1 | |

F8CMLH 0407 / REPAIR KIT 2



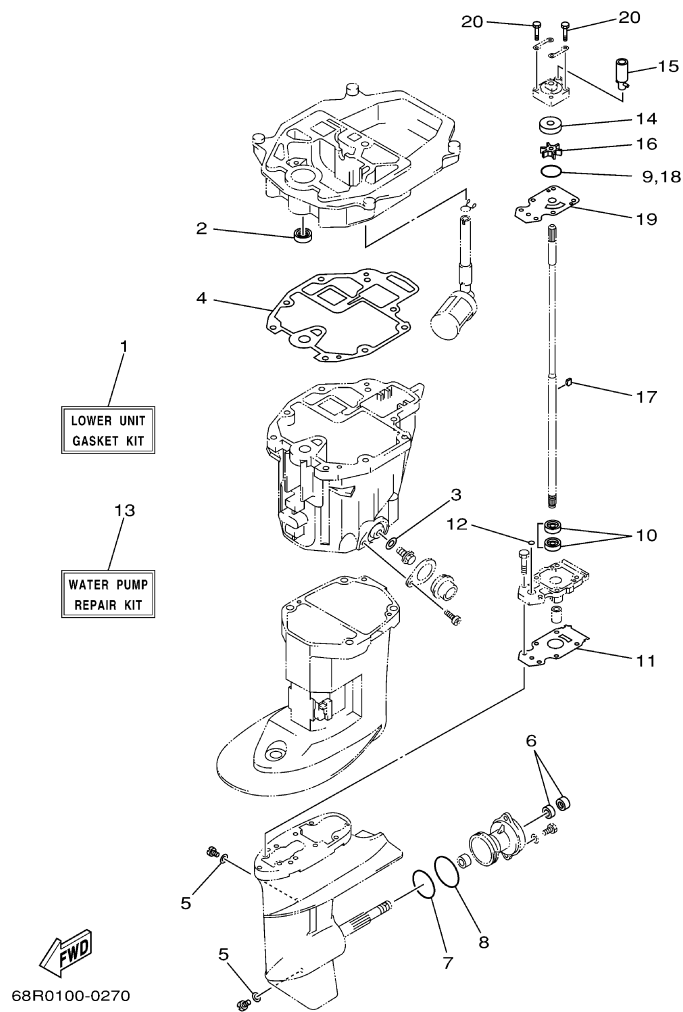

60N4100-G330

Part List

F8CMLH 0407 / REPAIR KIT 2

| REF - NO | PART NUMBER | PART NAME | QUANTITY | REMARKS |
|----------------|-----------------|------------------------|----------|---------|
| 1 | 6AU-W0093-00-00 | CARBURETOR REPAIR KIT | 1 | |
| 2 | 97980-04112-00 | .SCREW, WITH WASHER | 2 | |
| 3 | 6AU-14385-00-00 | .FLOAT | 1 | |
| 4 | 67D-14386-00-00 | .PIN, FLOAT | 1 | |
| 5 | 68T-14546-00-00 | .VALVE, NEEDLE | 1 | |
| 6 | 6AU-14984-00-00 | .GASKET, FLOAT CHAMBER | 1 | |
| 7 | 6J8-14959-00-00 | .GASKET | 1 | |
| 8 | 67D-14536-00-00 | .GASKET | 1 | |

F8CMLH 0407 / REPAIR KIT 3



©2014 Yamaha Motor Corporation, U.S.A. All rights reserved.

Part List

F8CMLH 0407 / REPAIR KIT 3

| REF - NO | PART NUMBER | PART NAME | QUANTITY | REMARKS |
|----------------|-----------------|-------------------------|----------|---------|
| 1 | 68T-W0001-20-00 | LOWER UNIT GASKET KIT | 1 | |
| 2 | 93101-12M70-00 | .OIL SEAL | 1 | |
| 3 | 90430-10M11-00 | .GASKET | 1 | |
| 4 | 68T-13475-00-00 | .GASKET | 1 | |
| 5 | 90430-08020-00 | .GASKET | 2 | |
| 6 | 93101-15074-00 | .OIL SEAL | 2 | |
| 7 | 93210-49046-00 | .O-RING | 1 | |
| 8 | 93210-53M08-00 | .O-RING | 1 | |
| 9 | 93210-44398-00 | .O-RING | 1 | |
| 10 | 93101-11M23-00 | .OIL SEAL | 2 | |
| 11 | 68T-45315-A0-00 | .PACKING, LOWER CASING | 1 | |
| 12 | 93210-06ME6-00 | .O-RING | 1 | |
| 13 | 68T-W0078-00-00 | WATER PUMP REPAIR KIT | 1 | |
| 14 | 63V-44322-00-00 | .INSERT, CARTRIDGE | 1 | |
| 15 | 68T-44366-00-00 | .DAMPER, WATER SEAL 2 | 1 | |
| 16 | 68T-44352-00-00 | .IMPELLER | 1 | |
| 17 | 664-44338-00-00 | .KEY, WOODRUFF | 1 | |
| 18 | 93210-44398-00 | .O-RING | 1 | |
| 19 | 68T-44323-00-00 | .OUTER PLATE, CARTRIDGE | 1 | |
| 20 | 97080-08045-00 | .BOLT | 4 | |

Part Notes

F8CMLH 0407 / REPAIR KIT 3

| PART NUMBER | NOTE TEXT |
|--|--|
| 90430-08020-00  | OEM: This part number is among the Top 100 Most Popular Marine Maintenance Parts as of March 2014. |

©2014 Yamaha Motor Corporation, U.S.A. All rights reserved.

F8CMLH 0407 / MODELS IN THIS CATALOG

F6AMSH 60N - 1008336 ~

F6AMLH 60N - 1008336 ~

(60N4)

F8CMSH 60R - 1015181 ~

F8CMLH 60R - 1015181 ~

(60R4)

**ALL THESE MODELS USE THIS SAME PARTS CATALOG.
BE SURE TO ORDER ONLY THOSE PARTS APPLICABLE
TO THE DESIRED MODEL.**

©2014 Yamaha Motor Corporation, U.S.A. All rights reserved.

©2014 Yamaha Motor Corporation, U.S.A. All rights reserved.