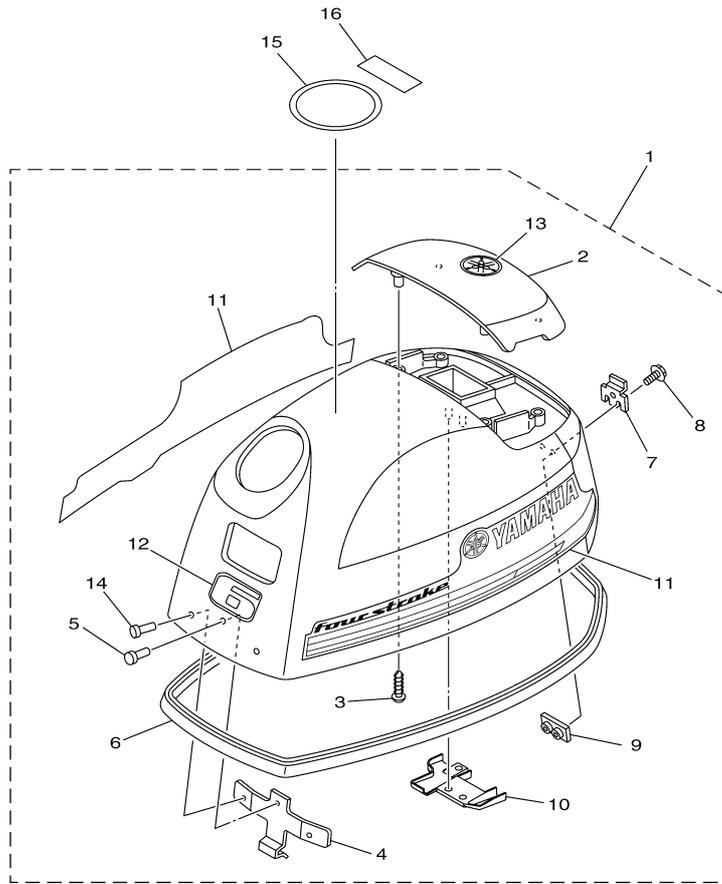


F6SMHA\_0711 / TOP COWLING



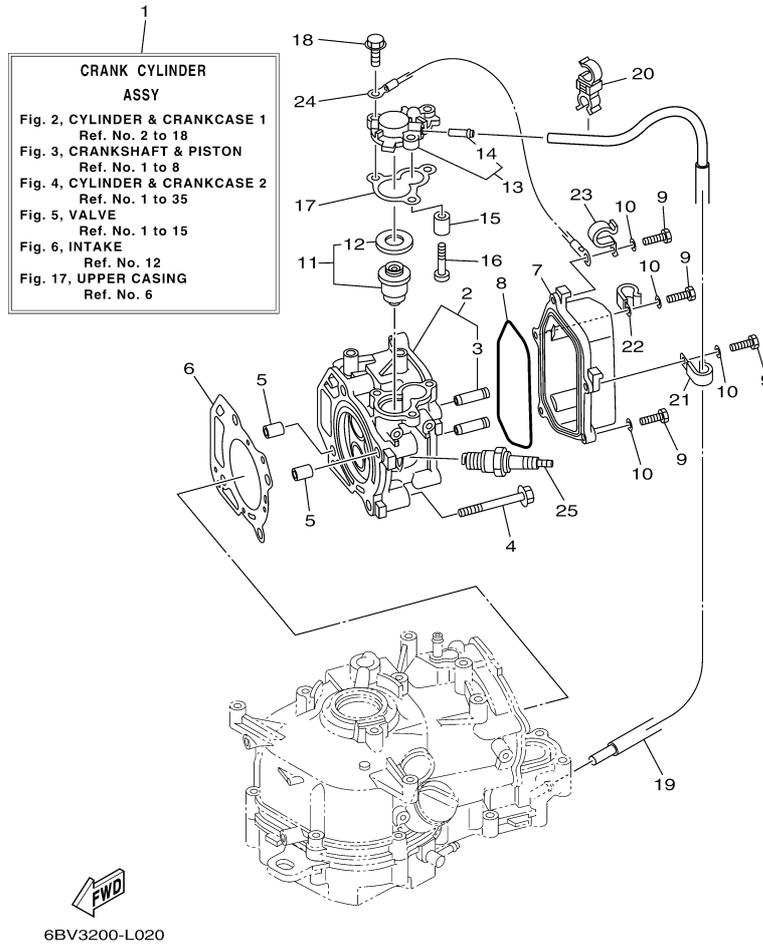
6BX3110-L010

## Part List

F6SMHA\_0711 / TOP COWLING

| REF<br>-<br>NO | PART<br>NUMBER  | PART NAME               | QUANTITY | REMARKS |
|----------------|-----------------|-------------------------|----------|---------|
| 1              | 6BX-G2610-20-00 | TOP COWLING ASSY (GRAY) | 1        |         |
| 2              | 6BX-G2613-10-00 | .MOLDING, AIR DUCT      | 1        |         |
| 3              | 97780-40012-00  | .SCREW, TAPPING         | 4        |         |
| 4              | 6BX-G2651-00-00 | .HOOK                   | 1        |         |
| 5              | 90266-04M04-00  | .RIVET                  | 1        |         |
| 6              | 6BX-42615-00-00 | .SEAL                   | 1        |         |
| 7              | 60R-42652-00-00 | .HOOK                   | 1        |         |
| 8              | 97595-05514-00  | .BOLT, WITH WASHER      | 2        |         |
| 9              | 68T-42649-00-00 | .HOLDER, CLAMP BAND     | 1        |         |
| 10             | 6BX-G2134-00-00 | .COVER                  | 1        |         |
| 11             | 6BV-W0070-10-00 | .GRAPHIC SET            | 1        |         |
| 12             | 6BX-42677-10-00 | .GRAPHIC, FRONT         | 1        |         |
| 13             | 6BX-42697-10-00 | .TUNING FORK MARK       | 1        |         |
| 14             | 90266-04M00-00  | .RIVET                  | 2        |         |
| 15             | 60R-E3434-00-00 | LABEL, CAUTION          | 1        |         |
| 16             | 6S7-42698-40-00 | LABEL, WARNING (FUEL)   | 1        |         |

F6SMHA\_0711 / CYLINDER CRANKCASE 1



## Part List

F6SMHA\_0711 / CYLINDER CRANKCASE 1

| REF<br>-<br>NO | PART<br>NUMBER  | PART NAME                | QUANTITY | REMARKS |
|----------------|-----------------|--------------------------|----------|---------|
| 1              | 6BX-WE090-00-1S | CRANK CYLINDER ASSY      | 1        |         |
| 2              | 6BX-E1111-00-1S | HEAD, CYLINDER 1         | 1        |         |
| 3              | 67D-11133-10-00 | .GUIDE, VALVE 1          | 2        |         |
| 4              | 90105-08M36-00  | BOLT, FLANGE             | 4        |         |
| 5              | 99510-10114-00  | PIN, DOWEL               | 2        |         |
| 6              | 6BX-11181-00-00 | .GASKET, CYLINDER HEAD 1 | 1        |         |
| 7              | 6BX-E1191-00-5B | COVER, CYLINDER HEAD 1   | 1        |         |
| 8              | 6BX-11356-00-00 | .SEAL, CYLINDER 2        | 1        |         |
| 9              | 97095-06020-00  | BOLT                     | 5        |         |
| 10             | 92995-06600-00  | WASHER                   | 5        |         |
| 11             | 66M-12411-01-00 | THERMOSTAT               | 1        |         |
| 12             | 688-12412-00-00 | .SEAL, THERMOSTAT        | 1        |         |
| 13             | 68D-E2413-00-1S | COVER, THERMOSTAT        | 1        |         |
| 14             | 650-24378-00-00 | .PIPE, JOINT 4           | 1        |         |
| 15             | 68D-E1325-00-00 | ANODE                    | 1        |         |
| 16             | 97880-05025-00  | SCREW, PAN HEAD          | 1        |         |
| 17             | 68D-E2414-A0-00 | .GASKET, COVER           | 1        |         |
| 18             | 90119-06MA2-00  | BOLT, WITH WASHER        | 3        |         |
| 19             | 6BX-F4323-00-00 | PIPE 12                  | 1        |         |
| 20             | 90464-09021-00  | .CLAMP                   | 1        |         |
| 21             | 90465-06M86-00  | .CLAMP                   | 1        |         |
| 22             | 90465-06M86-00  | .CLAMP                   | 1        |         |
| 23             | 90465-08371-00  | CLAMP                    | 1        |         |
| 24             | 6G0-82519-00-00 | WIRE, EARTH LEAD         | 1        |         |
| 25             | CR6-HSB00-00-00 | PLUG, SPARK (NGK CR6HSB) | 1        |         |

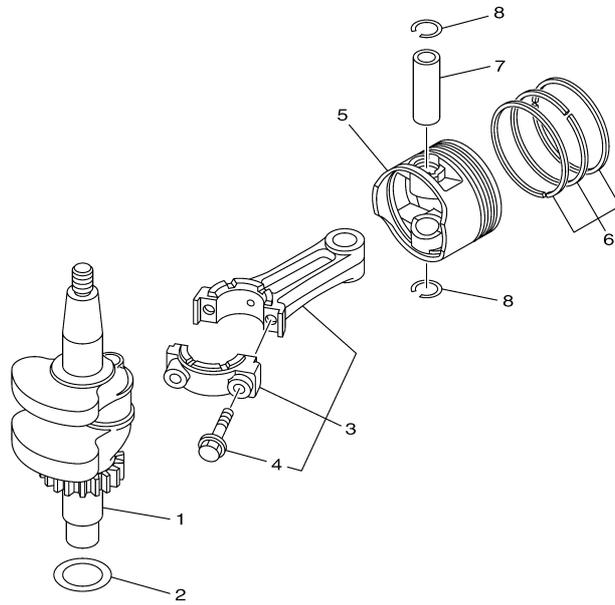
## Part Notes

F6SMHA\_0711 / CYLINDER CRANKCASE 1

| PART NUMBER   | NOTE TEXT  |
|---|--|
| 66M-12411-01-00  | OEM: This part number is among the Top 100 Most Popular Marine Maintenance Parts as of March 2014. |

©2014 Yamaha Motor Corporation, U.S.A. All rights reserved.

F6SMHA\_0711 / CRANKSHAFT PISTON



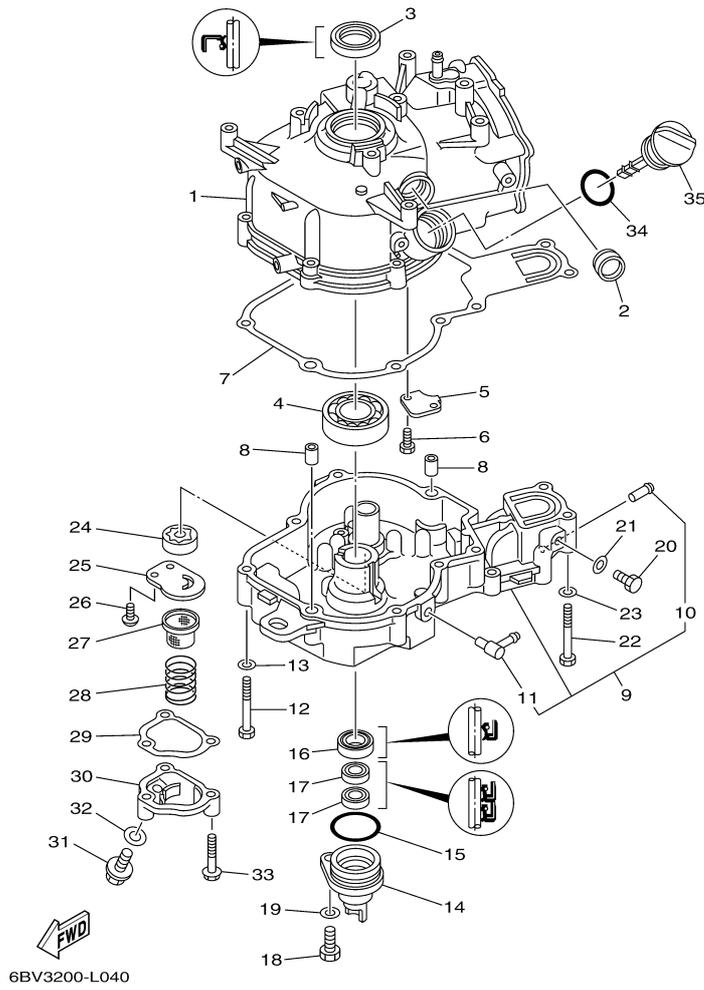
6BV1100-J030

## Part List

F6SMHA\_0711 / CRANKSHAFT PISTON

| REF<br>-<br>NO | PART<br>NUMBER  | PART NAME                       | QUANTITY | REMARKS |
|----------------|-----------------|---------------------------------|----------|---------|
| 1              | 6BX-E1410-00-00 | CRANKSHAFT                      | 1        |         |
| 2              | 90201-266P2-00  | WASHER, PLATE                   | 1        |         |
| 3              | 6BX-11650-00-00 | CONNECTING ROD ASSY             | 1        |         |
| 4              | 67D-11654-00-00 | .BOLT, CONNECTING ROD           | 2        |         |
| 5              | 6BX-E1631-00-96 | PISTON (STD)                    | 1        |         |
| 5              | 6BX-E1636-00-00 | PISTON (0.50MM O/S)             | 1        | AP      |
| 5              | 6BX-E1635-00-00 | PISTON (0.25MM O/S)             | 1        | AP      |
| 6              | 6BX-E1603-00-00 | PISTON RING SET (STD)           | 1        |         |
| 6              | 6BX-E1605-00-00 | PISTON RING SET (0.50MM<br>O/S) | 1        | AP      |
| 6              | 6BX-E1604-00-00 | PISTON RING SET (0.25MM<br>O/S) | 1        | AP      |
| 7              | 6BX-11633-00-00 | PIN, PISTON                     | 1        |         |
| 8              | 93450-16068-00  | CIRCLIP                         | 2        |         |

F6SMHA\_0711 / CYLINDER CRANKCASE 2



©2014 Yamaha Motor Corporation, U.S.A. All rights reserved.

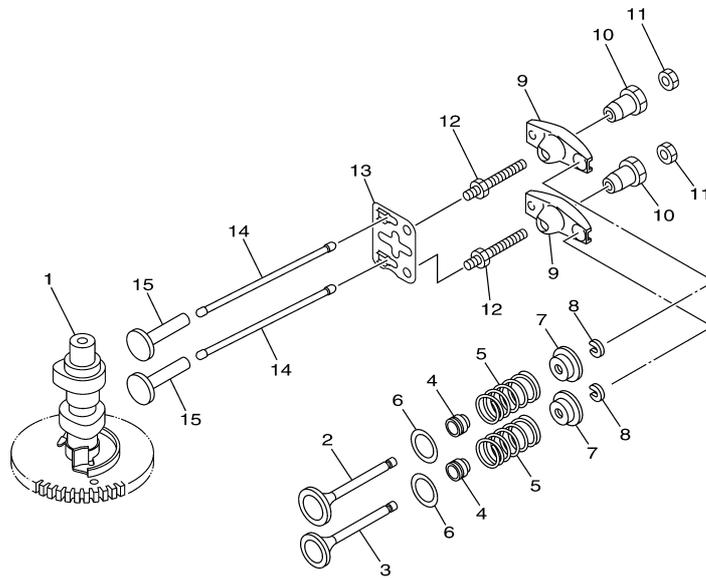
## Part List

F6SMHA\_0711 / CYLINDER CRANKCASE 2

| REF<br>-<br>NO | PART<br>NUMBER  | PART NAME           | QUANTITY | REMARKS |
|----------------|-----------------|---------------------|----------|---------|
| 1              | 6BX-E1311-00-1S | CYLINDER 1          | 1        |         |
| 2              | 3Y6-15361-00-00 | GAUGE, LEVEL        | 1        |         |
| 3              | 93102-25022-00  | .OIL SEAL           | 1        |         |
| 4              | 93306-205B2-00  | BEARING             | 1        |         |
| 5              | 6BX-E1168-00-00 | COVER, BREATHER     | 1        |         |
| 6              | 97013-05010-00  | BOLT                | 2        |         |
| 7              | 6BX-11351-00-00 | .GASKET, CYLINDER   | 1        |         |
| 8              | 99510-10114-00  | PIN, DOWEL          | 2        |         |
| 9              | 6BX-E5111-00-1S | CRANKCASE 1         | 1        |         |
| 10             | 650-24378-00-00 | .PIPE, JOINT 4      | 1        |         |
| 11             | 676-11372-00-00 | .NIPPLE, HOSE       | 1        |         |
| 12             | 97013-06050-00  | BOLT                | 8        |         |
| 13             | 92903-06600-00  | WASHER, PLATE       | 8        |         |
| 14             | 68D-E5396-00-5B | HOUSING, OIL SEAL   | 1        |         |
| 15             | 93210-35537-00  | O-RING              | 1        |         |
| 16             | 93102-20108-00  | OIL SEAL            | 1        |         |
| 17             | 93102-10004-00  | .OIL SEAL           | 2        |         |
| 18             | 97095-08020-00  | BOLT                | 1        |         |
| 19             | 92995-08600-00  | WASHER              | 1        |         |
| 20             | 97095-08014-00  | BOLT                | 1        |         |
| 21             | 90430-08800-00  | .GASKET             | 1        |         |
| 22             | 97013-06050-00  | BOLT                | 2        |         |
| 23             | 92903-06600-00  | WASHER, PLATE       | 2        |         |
| 24             | 6BX-E3310-00-00 | ROTOR ASSY 1        | 1        |         |
| 25             | 6BX-E3316-00-00 | COVER, PUMP         | 1        |         |
| 26             | 98517-06012-00  | SCREW, PAN HEAD     | 2        |         |
| 27             | 51Y-13411-00-00 | STRAINER, OIL       | 1        |         |
| 28             | 90501-18576-00  | SPRING, COMPRESSION | 1        |         |
| 29             | 6BX-E3475-00-00 | .GASKET             | 1        |         |
| 30             | 6BX-E3417-00-1S | COVER, STRAINER     | 1        |         |
| 31             | 90105-08M76-00  | BOLT, FLANGE        | 1        |         |
| 32             | 90201-08818-00  | WASHER, PLATE       | 1        |         |
| 33             | 97575-06535-00  | BOLT, WITH WASHER   | 3        |         |
| 34             | 93210-24M79-00  | .O-RING             | 1        |         |
| 35             | 68D-E5362-00-00 | PLUG, OIL LEVEL     | 1        |         |



F6SMHA\_0711 / VALVE



6BV1100-J050

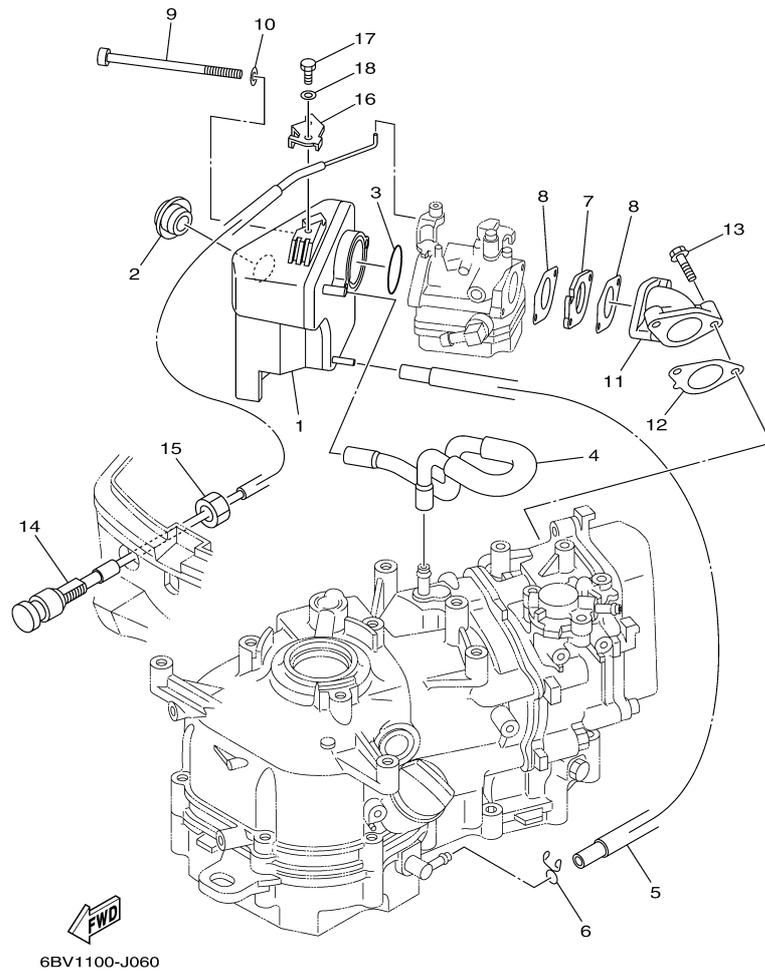
©2014 Yamaha Motor Corporation, U.S.A. All rights reserved.

## Part List

F6SMHA\_0711 / VALVE

| REF<br>-<br>NO | PART<br>NUMBER  | PART NAME                      | QUANTITY | REMARKS |
|----------------|-----------------|--------------------------------|----------|---------|
| 1              | 6BX-E2170-00-00 | CAMSHAFT ASSY 1                | 1        |         |
| 2              | 6BX-12111-00-00 | VALVE, INTAKE                  | 1        |         |
| 3              | 6AU-12121-00-00 | VALVE, EXHAUST                 | 1        |         |
| 4              | 51Y-12119-00-00 | SEAL, VALVE STEM               | 2        |         |
| 5              | 60R-12113-00-00 | SPRING, VALVE INNER            | 2        |         |
| 6              | 68T-12116-00-00 | SEAT, VALVE SPRING             | 2        |         |
| 7              | 7NJ-12117-00-00 | RETAINER, VALVE SPRING         | 2        |         |
| 8              | 7NJ-12118-00-00 | LOCK, VALVE SPRING<br>RETAINER | 2        |         |
| 9              | 67D-12151-00-00 | ARM, VALVE ROCKER              | 2        |         |
| 10             | 7FK-12165-00-00 | PIVOT, ROCKER ARM              | 2        |         |
| 11             | 7FK-12158-00-00 | NUT, LOCK                      | 2        |         |
| 12             | 67D-12157-00-00 | BOLT                           | 2        |         |
| 13             | 6BX-E2155-00-00 | GUIDE, PUSH ROD                | 1        |         |
| 14             | 6BX-12154-00-00 | ROD, VALVE PUSH                | 2        |         |
| 15             | JA9-12153-00-00 | LIFTER, VALVE                  | 2        |         |

F6SMHA\_0711 / INTAKE



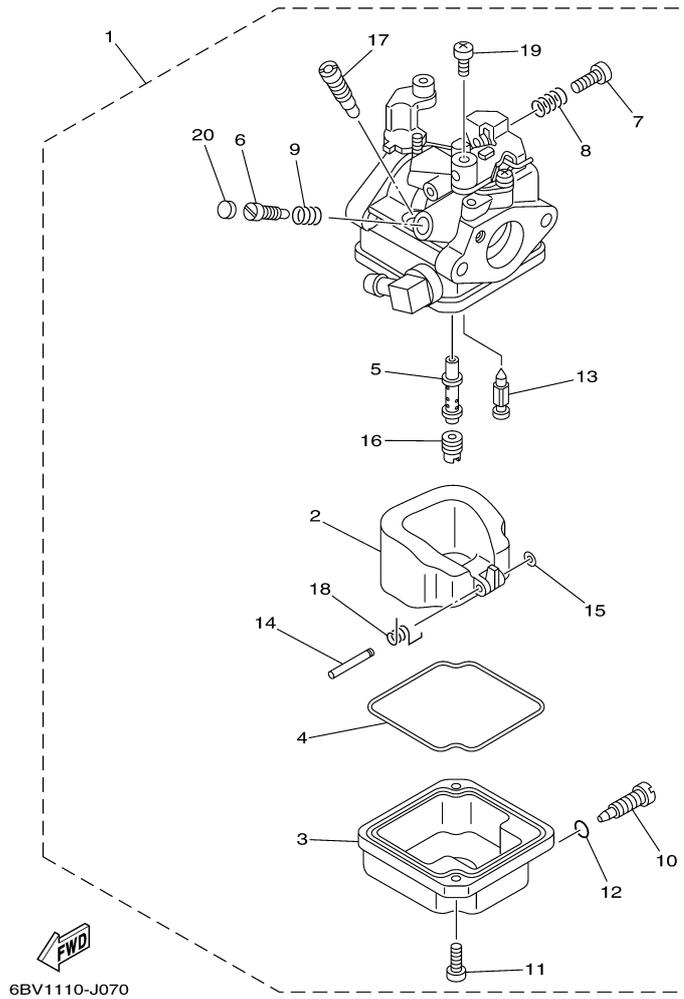
©2014 Yamaha Motor Corporation, U.S.A. All rights reserved.

## Part List

F6SMHA\_0711 / INTAKE

| REF<br>-<br>NO | PART<br>NUMBER  | PART NAME                    | QUANTITY | REMARKS |
|----------------|-----------------|------------------------------|----------|---------|
| 1              | 6BX-14440-00-00 | SILENCER ASSY, INTAKE        | 1        |         |
| 2              | 90480-18M74-00  | GROMMET                      | 1        |         |
| 3              | 93210-320A7-00  | .O-RING                      | 1        |         |
| 4              | 6BX-F4314-00-00 | PIPE 4                       | 1        |         |
| 5              | 6BX-E316F-00-00 | HOSE, OIL 1                  | 1        |         |
| 6              | 90467-09M09-00  | CLIP                         | 1        |         |
| 7              | 6BX-E3647-00-00 | .GASKET, MANIFOLD 3          | 1        |         |
| 8              | 6BX-E3646-00-00 | .GASKET, MANIFOLD 2          | 2        |         |
| 9              | 90110-06350-00  | BOLT, HEXAGON SOCKET<br>HEAD | 2        |         |
| 10             | 90201-06106-00  | WASHER, PLATE                | 2        |         |
| 11             | 6BX-E3641-10-94 | MANIFOLD, INTAKE 1           | 1        |         |
| 12             | 6BX-E3645-00-00 | .GASKET, MANIFOLD 1          | 1        |         |
| 13             | 90119-06MA3-00  | BOLT, WITH WASHER            | 2        |         |
| 14             | 6BX-F6330-01-00 | STARTER CABLE ASSY           | 1        |         |
| 15             | 6BX-F6333-00-00 | NUT                          | 1        |         |
| 16             | 6BX-E3151-00-00 | STAY                         | 1        |         |
| 17             | 97095-05010-00  | BOLT                         | 1        |         |
| 18             | 92995-05600-00  | WASHER                       | 1        |         |

F6SMHA\_0711 / CARBURETOR



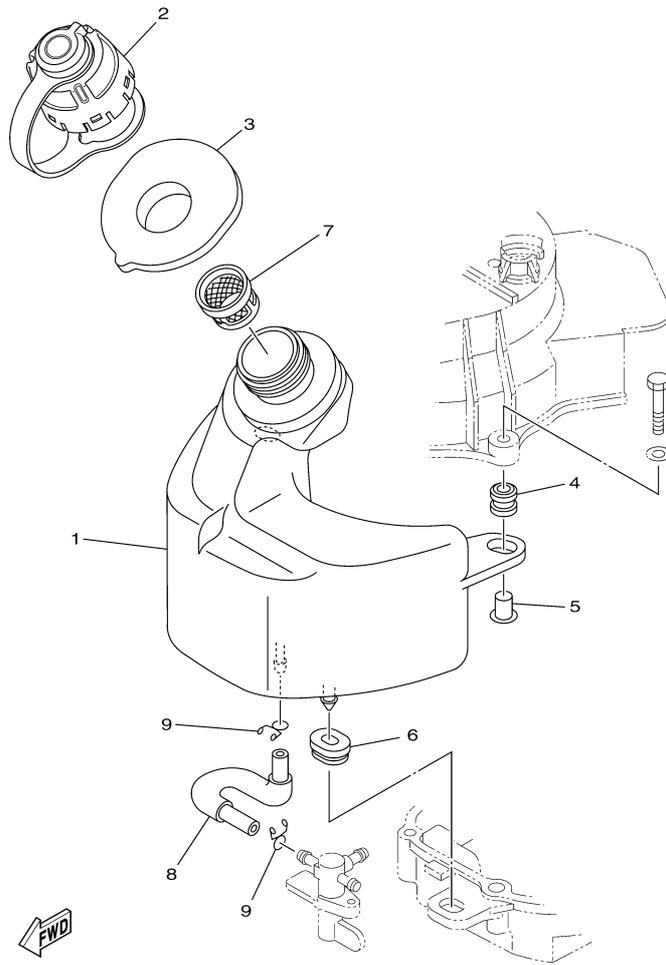
©2014 Yamaha Motor Corporation, U.S.A. All rights reserved.

## Part List

F6SMHA\_0711 / CARBURETOR

| REF<br>-<br>NO | PART<br>NUMBER  | PART NAME              | QUANTITY | REMARKS |
|----------------|-----------------|------------------------|----------|---------|
| 1              | 6BX-14301-10-00 | CARBURETOR ASSY 1      | 1        |         |
| 2              | 6BX-14985-00-00 | .FLOAT                 | 1        |         |
| 3              | 6BX-14980-00-00 | .BODY, FLOAT CHAMBER   | 1        |         |
| 4              | 6BX-14984-00-00 | .GASKET, FLOAT CHAMBER | 1        |         |
| 5              | 6BX-14947-00-00 | .JET, NEEDLE           | 1        |         |
| 6              | 6BX-14923-10-00 | .SCREW, PILOT          | 1        |         |
| 7              | 6BX-14523-00-00 | .SCREW, STOP           | 1        |         |
| 8              | 6BX-14555-00-00 | .SPRING                | 1        |         |
| 9              | 6BX-14935-00-00 | .SPRING                | 1        |         |
| 10             | 6BX-14991-00-00 | .SCREW                 | 1        |         |
| 11             | 6BX-14592-00-00 | .SCREW                 | 2        |         |
| 12             | 4JH-14562-00-00 | .O-RING                | 1        |         |
| 13             | 6BX-14546-00-00 | .VALVE, NEEDLE         | 1        |         |
| 14             | 6BX-14548-00-00 | .PIN, FLOAT ARM        | 1        |         |
| 15             | 6BX-14937-00-00 | .CLIP                  | 1        |         |
| 16             | 6BX-14943-17-00 | .JET, MAIN (#75)       | 1        |         |
| 17             | 6BX-14948-04-00 | .JET (#42)             | 1        |         |
| 18             | 6BX-14556-00-00 | .SPRING                | 1        |         |
| 19             | 98580-04006-00  | .SCREW, PAN HEAD       | 1        |         |
| 20             | 6BX-1432A-00-00 | .PLUG                  | 1        |         |

F6SMHA\_0711 / FUEL 1



6BV3110-L080

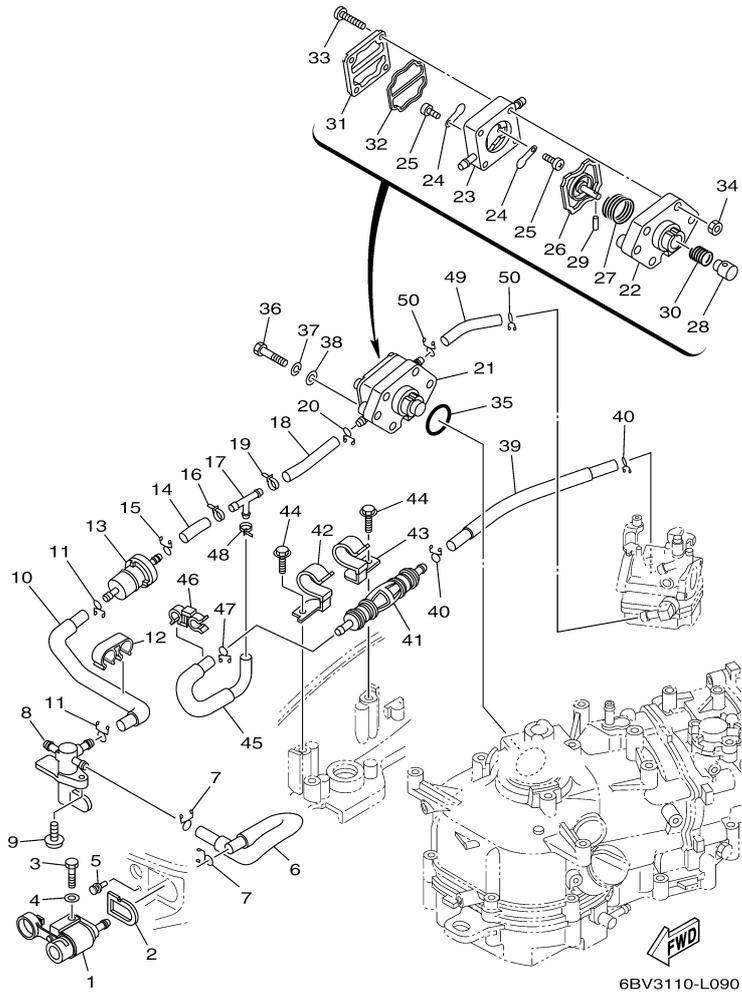
## Part List

F6SMHA\_0711 / FUEL 1

| REF<br>-<br>NO | PART<br>NUMBER  | PART NAME             | QUANTITY | REMARKS |
|----------------|-----------------|-----------------------|----------|---------|
| 1              | 6BX-F4111-00-00 | TANK, FUEL            | 1        |         |
| 2              | 6BX-24610-10-00 | CAP ASSY              | 1        |         |
| 3              | 6BX-24641-00-00 | GASKET, CAP 1         | 1        |         |
| 4              | 6A0-82317-00-00 | DAMPER, IGNITION COIL | 2        |         |
| 5              | 90387-06119-00  | COLLAR                | 2        |         |
| 6              | 90480-01559-00  | GROMMET               | 1        |         |
| 7              | 6BX-24167-00-00 | STRAINER              | 1        |         |
| 8              | 6BX-F4311-10-00 | PIPE, FUEL 1          | 1        |         |
| 9              | 90467-09M09-00  | CLIP                  | 2        |         |



F6SMHA\_0711 / FUEL 2



©2014 Yamaha Motor Corporation, U.S.A. All rights reserved.

## Part List

F6SMHA\_0711 / FUEL 2

| REF<br>-<br>NO | PART<br>NUMBER  | PART NAME               | QUANTITY | REMARKS |
|----------------|-----------------|-------------------------|----------|---------|
| 1              | 6YL-24304-00-00 | FUEL PIPE JOINT COMP. 1 | 1        |         |
| 2              | 60R-F4329-00-00 | SEAL                    | 1        |         |
| 3              | 97095-06025-00  | BOLT                    | 1        |         |
| 4              | 92995-06600-00  | WASHER                  | 1        |         |
| 5              | 90480-04166-00  | GROMMET                 | 1        |         |
| 6              | 6BX-F4312-10-00 | PIPE 2                  | 1        |         |
| 7              | 90467-09M09-00  | CLIP                    | 2        |         |
| 8              | 6BX-24500-00-00 | FUEL COCK ASSY 1        | 1        |         |
| 9              | 90159-06M10-00  | SCREW, WITH WASHER      | 1        |         |
| 10             | 6BX-F4313-10-00 | PIPE 3                  | 1        |         |
| 11             | 90467-09M09-00  | CLIP                    | 2        |         |
| 12             | 90464-12809-00  | CLAMP                   | 1        |         |
| 13             | 68T-24251-01-00 | STRAINER 1              | 1        |         |
| 14             | 6BX-F247C-10-00 | HOSE 3                  | 1        |         |
| 15             | 90467-09M09-00  | CLIP                    | 1        |         |
| 16             | 90465-11M10-00  | CLAMP                   | 1        |         |
| 17             | 688-24378-00-00 | PIPE, JOINT 3           | 1        |         |
| 18             | 6BX-F247D-10-00 | HOSE 4                  | 1        |         |
| 19             | 90465-11M10-00  | CLAMP                   | 1        |         |
| 20             | 90467-09M09-00  | CLIP                    | 1        |         |
| 21             | 6BX-24410-00-00 | FUEL PUMP ASSY          | 1        |         |
| 22             | 67D-24412-00-00 | .BODY 1                 | 1        |         |
| 23             | 67D-24413-02-00 | .BODY 2                 | 1        |         |
| 24             | 6A0-24421-01-00 | .VALVE, CHECK           | 2        |         |
| 25             | 6E7-14325-00-00 | .SCREW, PAN HEAD        | 2        |         |
| 26             | 6BX-24411-00-00 | .DIAPHRAGM              | 1        |         |
| 27             | 67D-24423-00-00 | .SPRING, DIAPHRAGM      | 1        |         |
| 28             | 6BX-13131-00-00 | .PLUNGER                | 1        |         |
| 29             | 66M-24374-00-00 | .PIN                    | 1        |         |
| 30             | 6BX-24454-00-00 | .SPRING                 | 1        |         |
| 31             | 67D-24414-01-00 | .BODY 3                 | 1        |         |
| 32             | 66M-24471-01-00 | .DIAPHRAGM              | 1        |         |
| 33             | 67D-24444-00-00 | .SCREW                  | 4        |         |
| 34             | 95380-04600-00  | .NUT                    | 4        |         |
| 35             | 93210-27ME3-00  | O-RING                  | 1        |         |
| 36             | 97095-06030-00  | BOLT                    | 2        |         |
| 37             | 92995-06100-00  | WASHER, SPRING          | 2        |         |
| 38             | 92995-06600-00  | WASHER                  | 2        |         |
| 39             | 6BX-F247B-10-00 | HOSE 2                  | 1        |         |
| 40             | 90467-09M09-00  | CLIP                    | 2        |         |
| 41             | 6BX-24360-10-00 | PRIMER PUMP ASSY        | 1        |         |
| 42             | 6BX-24135-00-00 | CLAMP 1                 | 1        |         |
| 43             | 6BX-24136-00-00 | CLAMP 2                 | 1        |         |
| 44             | 90109-06M80-00  | .BOLT                   | 2        |         |
| 45             | 6BX-F247A-10-00 | HOSE 1                  | 1        |         |
| 46             | 90464-09021-00  | .CLAMP                  | 1        |         |
| 47             | 90467-09M09-00  | CLIP                    | 1        |         |
| 48             | 90465-11M10-00  | CLAMP                   | 1        |         |
| 49             | 6BX-E3971-10-00 | PIPE, FUEL 1            | 1        |         |
| 50             | 90467-09M09-00  | CLIP                    | 2        |         |

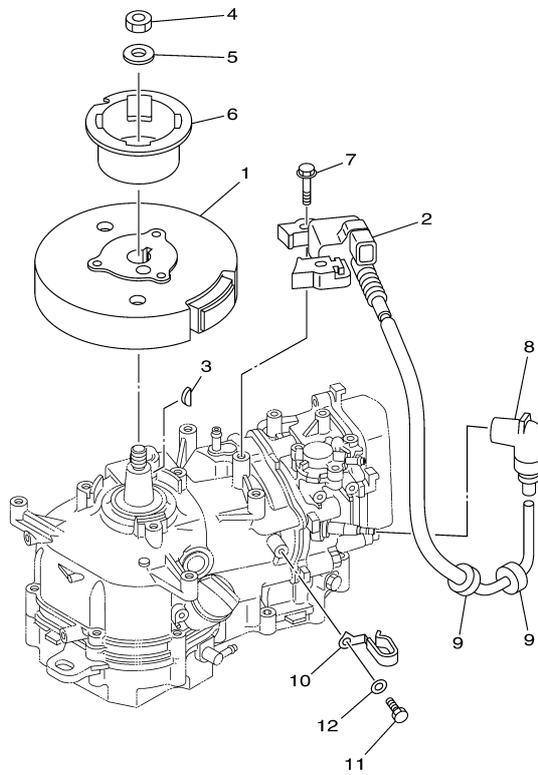


## Part List

F6SMHA\_0711 / STARTER

| REF<br>-<br>NO | PART<br>NUMBER  | PART NAME                    | QUANTITY | REMARKS                                   |
|----------------|-----------------|------------------------------|----------|---|
| 1              | 6BX-15710-00-00 | STARTER ASSY                 | 1        |   |
| 2              | 6BX-15711-00-00 | .CASE, STARTER               | 1        |   |
| 3              | 63V-15795-01-00 | .GUIDE, ROPE                 | 1        |   |
| 4              | 67D-15764-00-00 | .COLLAR 1                    | 3        |   |
| 5              | 67D-15714-00-00 | .DRUM, SHEAVE                | 1        |   |
| 6              | 67D-15741-00-00 | .PAWL, DRIVE                 | 2        |   |
| 7              | 67D-15713-00-00 | .SPRING, STARTER             | 1        |   |
| 8              | 6BX-15705-00-00 | .SPRING, DRIVE PAWL          | 1        |   |
| 9              | 67D-15767-00-00 | .SPRING                      | 2        |   |
| 10             | 67D-15735-00-00 | .GUIDE, CAM                  | 1        |   |
| 11             | 67D-15793-00-00 | .SCREW                       | 1        |   |
| 12             | 63V-15764-00-00 | .COLLAR 1                    | 1        |   |
| 13             | 67D-15794-01-00 | .STOPPER                     | 1        |   |
| 14             | 67D-15734-00-00 | .SPRING, RETURN              | 1        |   |
| 15             | 90790-48192-00  | ..ROPE, STARTER              | 1        | UNAVAILABLE - OBTAIN LOCALLY, CUT TO 1.8M |
| 16             | 6G1-15755-00-00 | .HANDLE, STARTER             | 1        |   |
| 17             | 6G1-15779-00-00 | .COVER                       | 1        |   |
| 18             | 67D-15739-00-00 | .WASHER, THRUST              | 1        |   |
| 19             | 67D-15744-00-00 | .CIRCLIP                     | 1        |   |
| 20             | 6BX-15762-00-00 | SEAL, RUBBER 2               | 1        |   |
| 21             | 97095-06035-00  | BOLT                         | 2        |   |
| 22             | 92995-06600-00  | WASHER                       | 2        |   |
| 23             | 97095-06020-00  | BOLT                         | 1        |   |
| 24             | 92995-06600-00  | WASHER                       | 1        |   |
| 25             | 6BX-E5770-00-00 | CABLE COMP., STARTER<br>STOP | 1        |   |
| 26             | 90464-07008-00  | CLAMP                        | 1        |   |
| 27             | 6AH-81995-40-00 | LABEL, WARNING               | 1        |   |
| 28             | 6BX-E3437-40-00 | MARK, CAUTION                | 1        |   |
| 29             | 6BX-E4427-40-00 | LABEL, INSTRUCTION           | 1        |   |
| 30             | 6AH-81994-40-00 | LABEL, SAFETY                | 1        |   |

F6SMHA\_0711 / GENERATOR



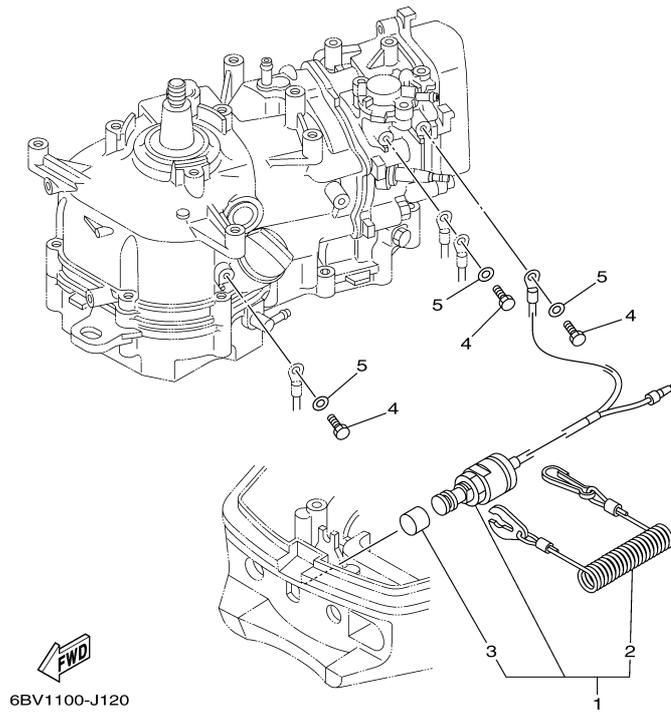
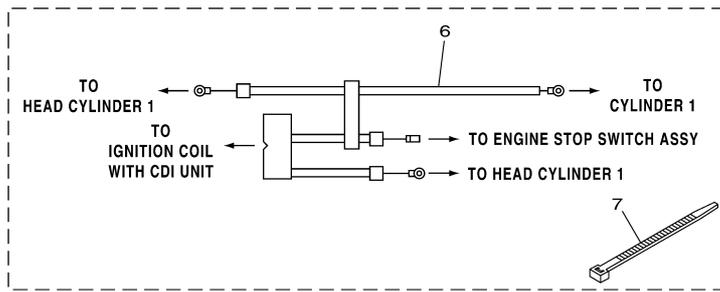
  
6BV1100-J110

## Part List

F6SMHA\_0711 / GENERATOR

| REF<br>-<br>NO | PART<br>NUMBER  | PART NAME                      | QUANTITY | REMARKS |
|----------------|-----------------|--------------------------------|----------|---------|
| 1              | 6BX-85550-00-00 | ROTOR ASSY                     | 1        |         |
| 2              | 6BX-85571-00-00 | IGNITION COIL WITH CDI<br>UNIT | 1        |         |
| 3              | 90280-04M06-00  | KEY, WOODRUFF                  | 1        |         |
| 4              | 90170-12066-00  | NUT                            | 1        |         |
| 5              | 90201-12472-00  | WASHER, PLATE                  | 1        |         |
| 6              | 6BX-15723-00-00 | PULLEY, STARTER                | 1        |         |
| 7              | 90105-06037-00  | BOLT, FLANGE                   | 2        |         |
| 8              | 6BX-82370-00-00 | PLUG CAP ASSY                  | 1        |         |
| 9              | 90480-25161-00  | GROMMET                        | 2        |         |
| 10             | 90465-08361-00  | CLAMP                          | 1        |         |
| 11             | 97095-06012-00  | BOLT                           | 1        |         |
| 12             | 92995-06600-00  | WASHER                         | 1        |         |

F6SMHA\_0711 / ELECTRICAL



## Part List

F6SMHA\_0711 / ELECTRICAL

| REF<br>-<br>NO | PART<br>NUMBER  | PART NAME               | QUANTITY | REMARKS |
|----------------|-----------------|-------------------------|----------|---------|
| 1              | 6BX-82575-00-00 | ENGINE STOP SWITCH ASSY | 1        |         |
| 2              | 682-82556-00-00 | .LANYARD, STOP SWITCH   | 1        |         |
| 3              | 689-8257Y-00-00 | .CAP                    | 1        |         |
| 4              | 97095-06012-00  | BOLT                    | 3        |         |
| 5              | 92995-06600-00  | WASHER                  | 3        |         |
| 6              | 6BX-82531-00-00 | WIRE, LEAD              | 1        |         |
| 7              | 90465-13M97-00  | CLAMP                   | 4        |         |

## Part Notes

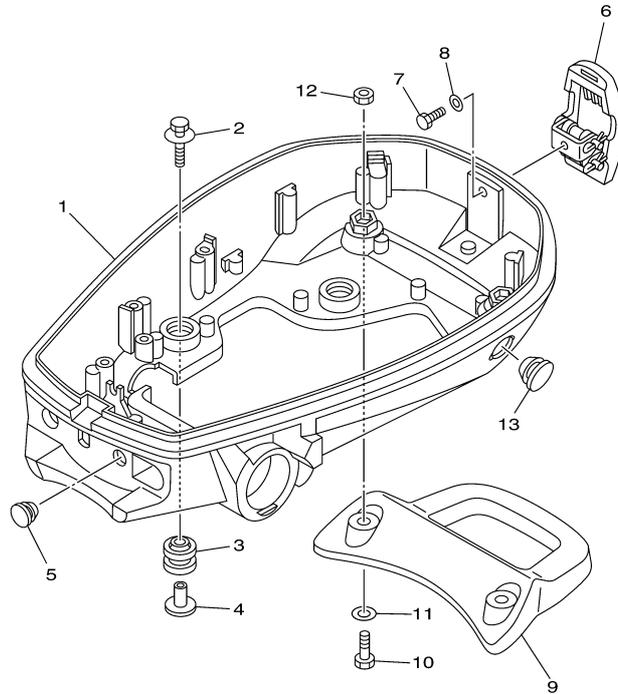
F6SMHA\_0711 / ELECTRICAL

| PART NUMBER   | NOTE TEXT  |
|---|--|
| 682-82556-00-00  | OEM: This part number is among the Top 100 Most Popular Marine Maintenance Parts as of March 2014. |

©2014 Yamaha Motor Corporation, U.S.A. All rights reserved.



F6SMHA\_0711 / BOTTOM COWLING



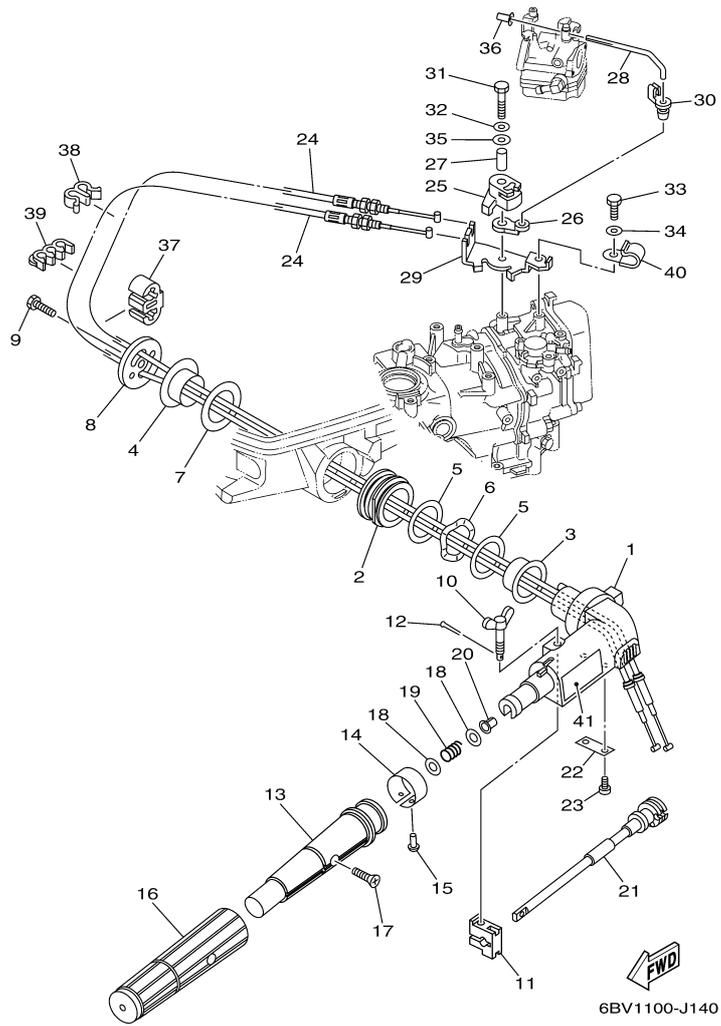
  
6BV2110-K130

## Part List

F6SMHA\_0711 / BOTTOM COWLING

| REF<br>-<br>NO | PART<br>NUMBER  | PART NAME           | QUANTITY | REMARKS |
|----------------|-----------------|---------------------|----------|---------|
| 1              | 6BX-G2711-00-4D | COWLING, BOTTOM 1   | 1        |         |
| 2              | 68F-85119-00-00 | BOLT                | 4        |         |
| 3              | 90480-21M82-00  | GROMMET             | 4        |         |
| 4              | 90387-06176-00  | COLLAR              | 4        |         |
| 5              | 90480-14M14-00  | GROMMET             | 1        |         |
| 6              | 68T-42801-00-00 | COWLING CLAMP COMP. | 1        |         |
| 7              | 97095-06012-00  | BOLT                | 1        |         |
| 8              | 92995-06600-00  | WASHER              | 1        |         |
| 9              | 6BX-G2731-00-00 | CARRYING HANDLE     | 1        |         |
| 10             | 97095-08020-00  | BOLT                | 2        |         |
| 11             | 92995-08600-00  | WASHER              | 2        |         |
| 12             | 95380-08600-00  | NUT                 | 2        |         |
| 13             | 90480-22M72-00  | GROMMET             | 1        |         |

F6SMHA\_0711 / STEERING



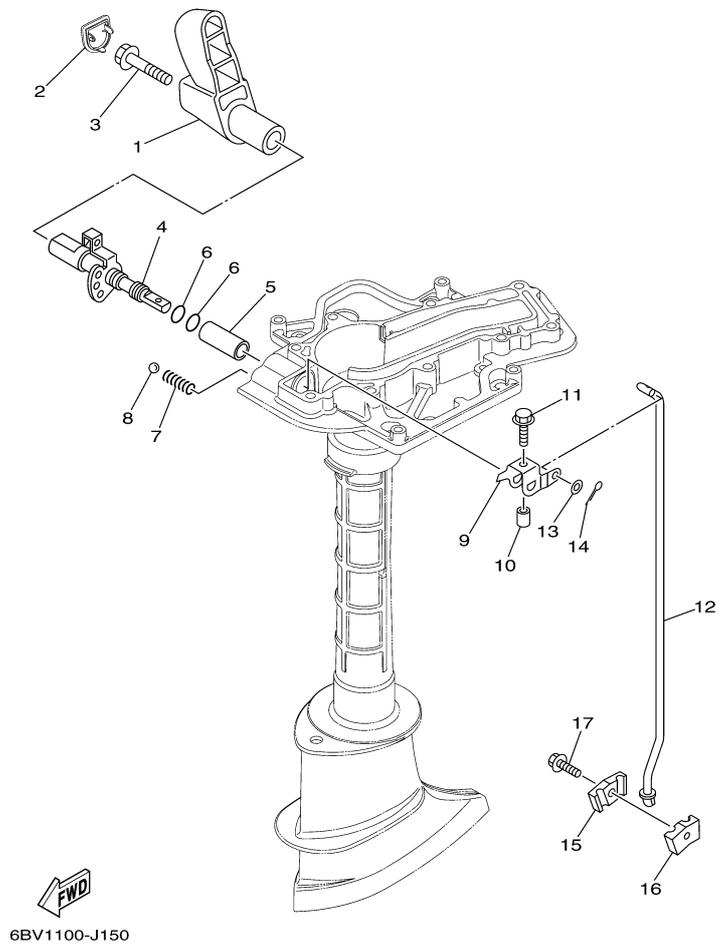
©2014 Yamaha Motor Corporation, U.S.A. All rights reserved.

## Part List

F6SMHA\_0711 / STEERING

| REF<br>-<br>NO | PART<br>NUMBER  | PART NAME                         | QUANTITY | REMARKS |
|----------------|-----------------|-----------------------------------|----------|---------|
| 1              | 6BX-G2111-00-4D | HANDLE, STEERING                  | 1        |         |
| 2              | 6BX-42129-00-00 | BUSHING, RUBBER                   | 1        |         |
| 3              | 6BX-G2171-00-00 | BUSHING                           | 1        |         |
| 4              | 6BX-G2172-00-00 | BUSHING 2                         | 1        |         |
| 5              | 6BX-G2181-00-00 | WASHER                            | 2        |         |
| 6              | 6BX-G2188-00-00 | WASHER, WAVE                      | 1        |         |
| 7              | 6BX-G2182-00-00 | WASHER 2                          | 1        |         |
| 8              | 6BX-42131-00-00 | COVER, HANDLE STEERING            | 1        |         |
| 9              | 97075-08025-00  | BOLT                              | 1        |         |
| 10             | 6G1-42125-01-00 | BOLT, FRICTION ADJUSTING          | 1        |         |
| 11             | 6G1-42126-00-00 | FRICTION, STEERING<br>HANDLE GRIP | 1        |         |
| 12             | 91490-16010-00  | PIN. COTTER                       | 1        |         |
| 13             | 68D-G2119-01-00 | GRIP, STEERING HANDLE             | 1        |         |
| 14             | 60P-G2137-00-00 | INDICATOR, THROTTLE               | 1        |         |
| 15             | 90269-02M09-00  | RIVET                             | 1        |         |
| 16             | 68D-G2177-10-00 | RUBBER, HANDLE                    | 1        |         |
| 17             | 90152-05011-00  | SCREW, COUNTERSUNK                | 1        |         |
| 18             | 90201-10M02-00  | WASHER, PLATE                     | 2        |         |
| 19             | 90501-23215-00  | SPRING, COMPRESSION               | 1        |         |
| 20             | 90386-08032-00  | BUSH                              | 1        |         |
| 21             | 6BX-42138-00-00 | LEVER, THROTTLE                   | 1        |         |
| 22             | 68D-G2159-00-00 | STAY                              | 1        |         |
| 23             | 97885-05012-00  | SCREW, PAN HEAD                   | 2        |         |
| 24             | 6BX-F6301-00-00 | THROTTLE CABLE ASSY               | 2        |         |
| 25             | 6BX-41638-00-00 | PULLEY                            | 1        |         |
| 26             | 6BX-41283-00-00 | LEVER, FREE ACCEL.                | 1        |         |
| 27             | 90387-06252-00  | COLLAR                            | 1        |         |
| 28             | 6BX-41211-00-00 | LINK, ACCEL.                      | 1        |         |
| 29             | 6BX-E4497-00-00 | STAY, THROTTLE WIRE               | 1        |         |
| 30             | 661-41262-02-00 | JOINT, CHOKE LEVER                | 1        |         |
| 31             | 97095-06035-00  | BOLT                              | 1        |         |
| 32             | 92995-06600-00  | WASHER                            | 1        |         |
| 33             | 97095-06012-00  | BOLT                              | 1        |         |
| 34             | 92995-06600-00  | WASHER                            | 1        |         |
| 35             | 90201-06M62-00  | WASHER, PLATE                     | 1        |         |
| 36             | 647-14395-60-00 | CAP, OVERFLOW PIPE                | 1        |         |
| 37             | 90464-06006-00  | CLAMP                             | 2        |         |
| 38             | 90464-07M20-00  | CLAMP                             | 1        |         |
| 39             | 90464-07M05-00  | CLAMP                             | 1        |         |
| 40             | 90465-08395-00  | CLAMP                             | 1        |         |
| 41             | 6AH-42794-40-00 | LABEL, WARNING (GENERAL)          | 1        |         |

F6SMHA\_0711 / CONTROL



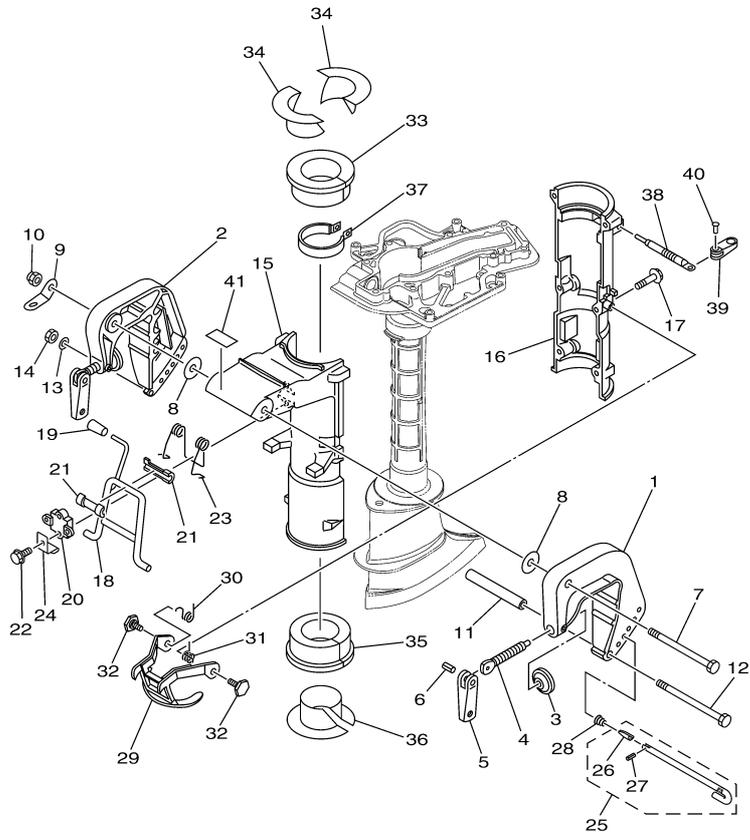
©2014 Yamaha Motor Corporation, U.S.A. All rights reserved.

## Part List

F6SMHA\_0711 / CONTROL

| REF<br>-<br>NO | PART<br>NUMBER  | PART NAME                | QUANTITY | REMARKS |
|----------------|-----------------|--------------------------|----------|---------|
| 1              | 6BX-G4111-00-00 | HANDLE, GEAR SHIFT       | 1        |         |
| 2              | 6BX-G3679-00-00 | STOPPER, HOOK            | 1        |         |
| 3              | 90105-08046-00  | BOLT, FLANGE             | 1        |         |
| 4              | 6BX-G4119-00-CA | SHAFT, CHANGE            | 1        |         |
| 5              | 6BX-G4122-00-00 | BUSHING, SHIFT ROD LEVER | 1        |         |
| 6              | 93210-09350-00  | O-RING                   | 2        |         |
| 7              | 90501-12802-00  | SPRING, COMPRESSION      | 1        |         |
| 8              | 93505-16024-00  | BALL                     | 1        |         |
| 9              | 6BX-G4121-00-00 | LEVER, SHIFT ROD         | 1        |         |
| 10             | 90387-06504-00  | COLLAR                   | 1        |         |
| 11             | 90119-05M04-00  | BOLT, WITH WASHER        | 1        |         |
| 12             | 6BX-44143-00-00 | ROD, SHIFT               | 1        |         |
| 13             | 92990-05600-00  | WASHER, PLATE            | 1        |         |
| 14             | 91490-16010-00  | PIN. COTTER              | 1        |         |
| 15             | 68D-G4145-00-00 | CONNECTOR, SHIFT ROD     | 1        |         |
| 16             | 68D-G4146-00-00 | CONNECTOR, SHIFT ROD     | 1        |         |
| 17             | 90119-06256-00  | BOLT, WITH WASHER        | 1        |         |

F6SMHA\_0711 / BRACKET



6BV1110-J160

©2014 Yamaha Motor Corporation, U.S.A. All rights reserved.

## Part List

F6SMHA\_0711 / BRACKET

| REF - NO | PART NUMBER     | PART NAME             | QUANTITY | REMARKS |
|----------|-----------------|-----------------------|----------|---------|
| 1        | 6L8-G3111-01-4D | BRACKET, CLAMP 1      | 1        |         |
| 2        | 6L8-G3112-00-4D | BRACKET, CLAMP 2      | 1        |         |
| 3        | 620-43114-00-00 | PAD, TRANSOM CLAMP    | 2        |         |
| 4        | 6E0-43116-01-00 | SCREW, TRANSOM CLAMP  | 2        |         |
| 5        | 6L8-G3118-01-00 | HANDLE, TRANSOM CLAMP | 2        |         |
| 6        | 90243-04M01-00  | PIN                   | 2        |         |
| 7        | 90101-08M07-00  | BOLT                  | 1        |         |
| 8        | 90202-08M58-00  | WASHER, PLATE         | 2        |         |
| 9        | 68D-G3113-00-00 | PLATE, CLAMP BRACKET  | 1        |         |
| 10       | 90185-08057-00  | NUT, SELF-LOCKING     | 1        |         |
| 11       | 90387-06M11-00  | COLLAR                | 1        |         |
| 12       | 90101-06335-00  | BOLT                  | 1        |         |
| 13       | 92990-06600-00  | WASHER, PLATE         | 1        |         |
| 14       | 95380-06600-00  | NUT, HEXAGON          | 1        |         |
| 15       | 68D-G3311-01-4D | BRACKET, SWIVEL 1     | 1        |         |
| 16       | 68D-G3312-01-4D | BRACKET, SWIVEL 2     | 1        |         |
| 17       | 95895-06035-00  | BOLT, FLANGE          | 6        |         |
| 18       | 6BX-43181-00-00 | LEVER, TILT STOP 1    | 1        |         |
| 19       | 6E0-43632-00-00 | KNOB, TILT            | 1        |         |
| 20       | 6E0-43313-00-94 | BRACKET, SWIVEL 3     | 1        |         |
| 21       | 620-43189-00-00 | BUSHING               | 2        |         |
| 22       | 95895-06020-00  | BOLT, FLANGE          | 2        |         |
| 23       | 6BX-48561-00-00 | SPRING 1              | 1        |         |
| 24       | 6BX-G3319-00-00 | PLATE                 | 1        |         |
| 25       | 68D-G3160-00-00 | TILT ROD ASSY         | 1        |         |
| 26       | 6N0-G3165-00-00 | .PLATE, TILT LOCK     | 1        |         |
| 27       | 91690-30008-00  | .PIN, SPRING          | 1        |         |
| 28       | 90502-08M05-00  | SPRING, CONICAL       | 1        |         |
| 29       | 6BX-43614-00-00 | PLATE, TILT LOCK      | 1        |         |
| 30       | 6BX-43188-00-00 | SPRING                | 1        |         |
| 31       | 6BX-43198-00-00 | SPRING 2              | 1        |         |
| 32       | 90109-06M84-00  | BOLT                  | 2        |         |
| 33       | 68D-G2537-00-00 | BUSHING, PIVOT SHAFT  | 1        |         |
| 34       | 68D-G2539-00-00 | BUSHING, PIVOT SHAFT  | 2        |         |
| 35       | 6BX-G2538-00-00 | BUSHING, PIVOT SHAFT  | 1        |         |
| 36       | 6BX-G2549-00-00 | BUSHING, PIVOT SHAFT  | 1        |         |
| 37       | 6E0-42528-03-00 | PLATE, FRICTION       | 1        |         |
| 38       | 6L5-42529-01-00 | SCREW, FRICTION PIECE | 1        |         |
| 39       | 68D-G2561-01-00 | KNOB, STEERING LOCK   | 1        |         |
| 40       | 90266-04M05-00  | RIVET                 | 1        |         |
| 41       | 6BX-F4591-00-00 | EMBLEM, FUEL COCK     | 1        |         |

## Part Notes

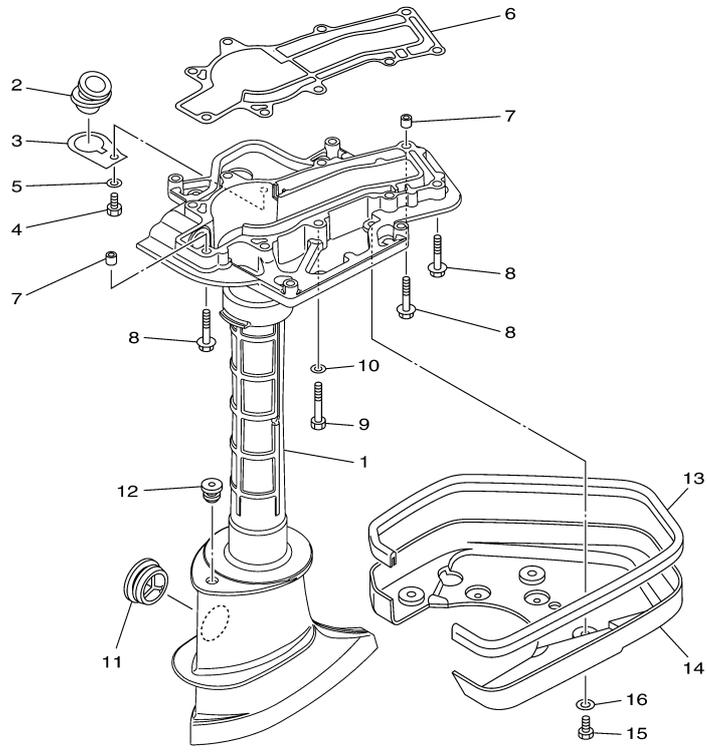
F6SMHA\_0711 / BRACKET

| PART NUMBER  | NOTE TEXT  |
|--|--|
| 92990-06600-00  | OEM: This part number is among the Top 100 Most Popular Marine Maintenance Parts as of March 2014. |

©2014 Yamaha Motor Corporation, U.S.A. All rights reserved.



F6SMHA\_0711 / UPPER CASING



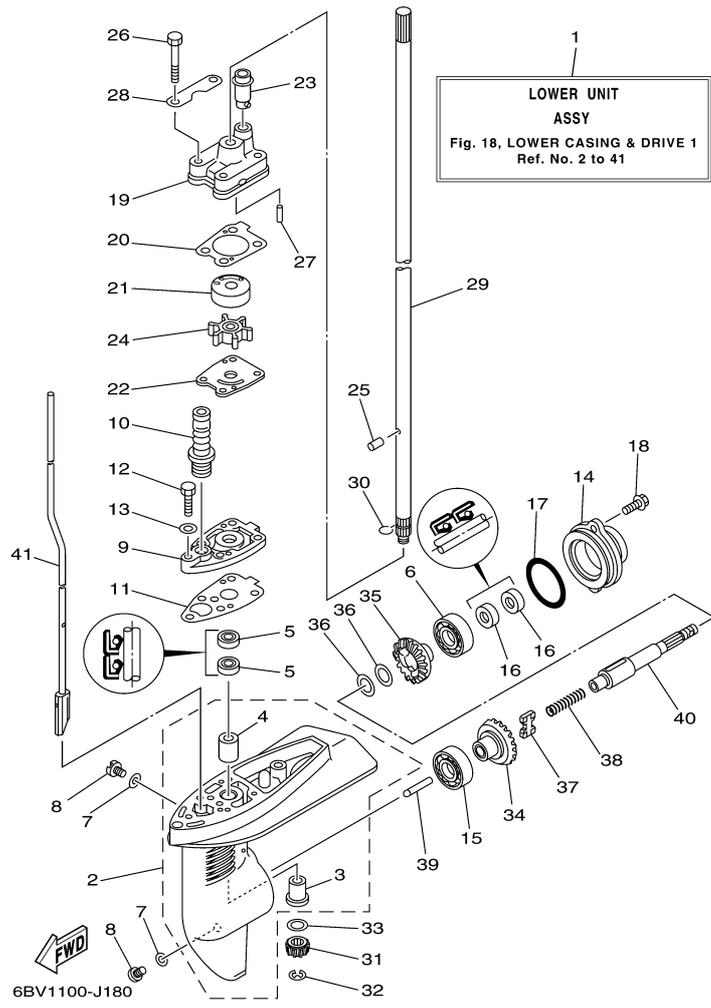
6BV2110-K170

## Part List

F6SMHA\_0711 / UPPER CASING

| REF<br>-<br>NO | PART<br>NUMBER  | PART NAME             | QUANTITY | REMARKS |
|----------------|-----------------|-----------------------|----------|---------|
| 1              | 6BX-G5111-00-4D | CASING, UPPER         | 1        |         |
| 2              | 6BX-15316-00-00 | DAMPER 1              | 1        |         |
| 3              | 6BX-G5321-00-00 | PLATE                 | 1        |         |
| 4              | 97095-06014-00  | BOLT                  | 1        |         |
| 5              | 92995-06600-00  | WASHER                | 1        |         |
| 6              | 6BX-45113-00-00 | .GASKET, UPPER CASING | 1        |         |
| 7              | 90387-06806-00  | COLLAR                | 2        |         |
| 8              | 97575-06540-00  | BOLT, WITH WASHER     | 5        |         |
| 9              | 97075-06050-00  | BOLT                  | 4        |         |
| 10             | 92995-06600-00  | WASHER                | 4        |         |
| 11             | 647-45151-01-00 | COVER, UPPER CASING   | 2        |         |
| 12             | 90480-10M13-00  | GROMMET               | 1        |         |
| 13             | 6BX-42716-00-00 | RUBBER, SEAL 1        | 1        |         |
| 14             | 6BX-G2723-00-00 | COVER, BOTTOM         | 1        |         |
| 15             | 97095-06014-00  | BOLT                  | 4        |         |
| 16             | 92995-06600-00  | WASHER                | 4        |         |

F6SMHA\_0711 / LOWER CASING DRIVE 1



©2014 Yamaha Motor Corporation, U.S.A. All rights reserved.

## Part List

F6SMHA\_0711 / LOWER CASING DRIVE 1

| REF - NO | PART NUMBER     | PART NAME               | QUANTITY | REMARKS  |
|----------|-----------------|-------------------------|----------|----------|
| 1        | 6BX-G5300-01-4D | LOWER UNIT ASSY         | 1        | S(17.1") |
| 2        | 68D-G5311-00-4D | CASING, LOWER           | 1        |          |
| 3        | 6E0-45317-09-00 | .BUSHING, DRIVE SHAFT   | 1        |          |
| 4        | 6E0-45316-09-00 | .BUSHING, DRIVE SHAFT   | 1        |          |
| 5        | 93101-10M14-00  | .OIL SEAL               | 2        |          |
| 6        | 93306-004YH-00  | BEARING                 | 1        |          |
| 7        | 90430-08020-00  | .GASKET                 | 3        |          |
| 8        | 90340-08002-00  | PLUG, STRAIGHT SCREW    | 3        |          |
| 9        | 68D-G5321-00-00 | PLATE                   | 1        |          |
| 10       | 6L2-44147-00-00 | BOOT, SHIFT ROD         | 1        |          |
| 11       | 68D-G5315-A0-00 | .PACKING, LOWER CASING  | 1        |          |
| 12       | 97095-06025-00  | BOLT                    | 1        |          |
| 13       | 92995-06600-00  | WASHER                  | 1        |          |
| 14       | 68D-G5361-00-4D | CAP, LOWER CASING       | 1        |          |
| 15       | 93306-004YH-00  | BEARING                 | 1        |          |
| 16       | 93101-13M12-00  | .OIL SEAL               | 2        |          |
| 17       | 93210-48214-00  | .O-RING                 | 1        |          |
| 18       | 95895-06016-00  | BOLT, FLANGE            | 2        |          |
| 19       | 6BX-44311-00-00 | .HOUSING, WATER PUMP    | 1        |          |
| 20       | 6BX-G4315-01-00 | .GASKET, WATER PUMP     | 1        |          |
| 21       | 6BX-44322-00-00 | .INSERT, CARTRIDGE      | 1        |          |
| 22       | 6BX-44323-00-00 | .OUTER PLATE, CARTRIDGE | 1        |          |
| 23       | 67D-44366-00-00 | .DAMPER, WATER SEAL 2   | 1        |          |
| 24       | 6E0-44352-00-00 | IMPELLER                | 1        |          |
| 25       | 93604-09066-00  | PIN, DOWEL              | 1        |          |
| 26       | 97095-06045-00  | .BOLT                   | 4        |          |
| 27       | 93604-18080-00  | .PIN, DOWEL             | 2        |          |
| 28       | 68D-G4328-00-00 | PLATE                   | 2        |          |
| 29       | 68D-G5511-00-00 | SHAFT, DRIVE            | 1        | S(17.1") |
| 30       | 90467-08M01-00  | CLIP                    | 1        |          |
| 31       | 6BX-45551-00-00 | PINION (13T)            | 1        |          |
| 32       | 99001-06600-00  | CIRCLIP                 | 1        |          |
| 33       | 90201-11M49-00  | WASHER, PLATE           | 1        |          |
| 34       | 67D-45560-00-00 | GEAR 1 (27T)            | 1        |          |
| 35       | 67D-45570-00-00 | GEAR 2 (27T)            | 1        |          |
| 36       | 67D-45576-00-00 | WASHER, THRUST 2        | 2        |          |
| 37       | 67D-45631-01-00 | CLUTCH, DOG             | 1        |          |
| 38       | 90501-120A9-00  | SPRING, COMPRESSION     | 1        |          |
| 39       | 67D-45635-00-00 | PLUNGER, SHIFT          | 1        |          |
| 40       | 68D-G5611-10-00 | SHAFT, PROPELLER        | 1        |          |
| 41       | 6BX-G4150-00-00 | SHIFT CAM ASSY          | 1        | S(17.1") |

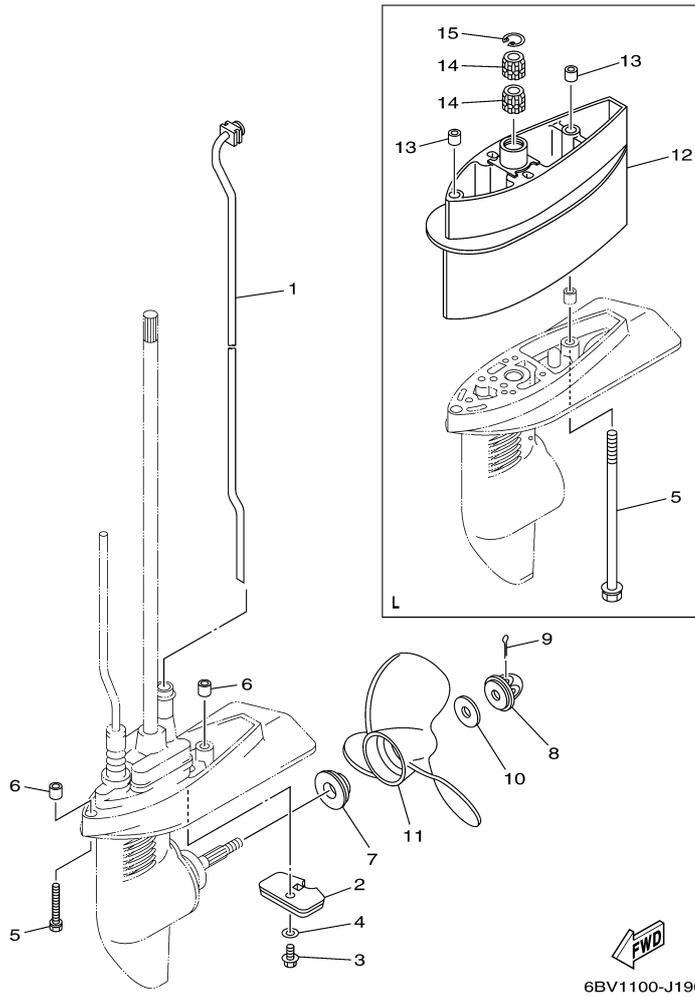
## Part Notes

F6SMHA\_0711 / LOWER CASING DRIVE 1

| PART NUMBER  | NOTE TEXT  |
|--|--|
| 90430-08020-00  | OEM: This part number is among the Top 100 Most Popular Marine Maintenance Parts as of March 2014. |

©2014 Yamaha Motor Corporation, U.S.A. All rights reserved.

F6SMHA\_0711 / LOWER CASING DRIVE 2



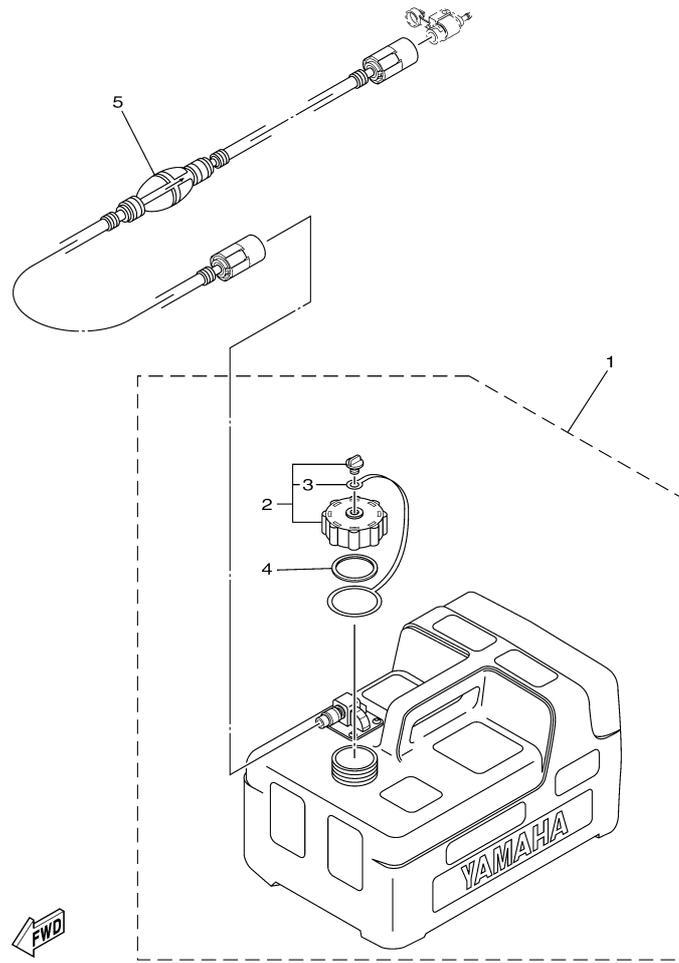
  
6BV1100-J190

## Part List

F6SMHA\_0711 / LOWER CASING DRIVE 2

| REF<br>-<br>NO | PART<br>NUMBER  | PART NAME                          | QUANTITY | REMARKS  |
|----------------|-----------------|------------------------------------|----------|----------|
| 1              | 6BX-G4360-00-00 | WATER TUBE ASSY                    | 1        | S(17.1") |
| 2              | 68D-G5251-00-00 | ANODE                              | 1        |          |
| 3              | 95895-06012-00  | BOLT, FLANGE                       | 1        |          |
| 4              | 92990-06300-00  | WASHER, INTERNAL TOOTH             | 1        |          |
| 5              | 90119-06253-00  | BOLT, WITH WASHER                  | 2        | S(17.1") |
| 6              | 90387-06806-00  | COLLAR                             | 2        |          |
| 7              | 68D-G5987-00-00 | SPACER 1                           | 1        |          |
| 8              | 6L5-45616-00-00 | NUT, PROPELLER                     | 1        |          |
| 9              | 91490-25030-00  | PIN. COTTER                        | 1        |          |
| 10             | 90201-08M54-00  | WASHER, PLATE                      | 1        |          |
| 11             | 6E0-45954-00-00 | PROPELLER (3X7-1/2"X9"-<br>BA)     | 1        | UR       |
| 11             | 6E0-45941-01-00 | PROPELLER (3X7-1/2"X8"-<br>BA)     | 1        | UR       |
| 11             | 6E0-45952-00-00 | PROPELLER (3X7-1/4"X8-<br>1/4"-BA) | 1        | UR       |
| 11             | 6E0-45949-00-00 | PROPELLER (3X7-1/4"X6-<br>1/2"-BA) | 1        | UR       |
| 11             | 6E0-45943-01-00 | PROPELLER (3X7-1/2"X7"-<br>BA)     | 1        | UR       |

F6SMHA\_0711 / FUEL TANK



6AU5100-L280

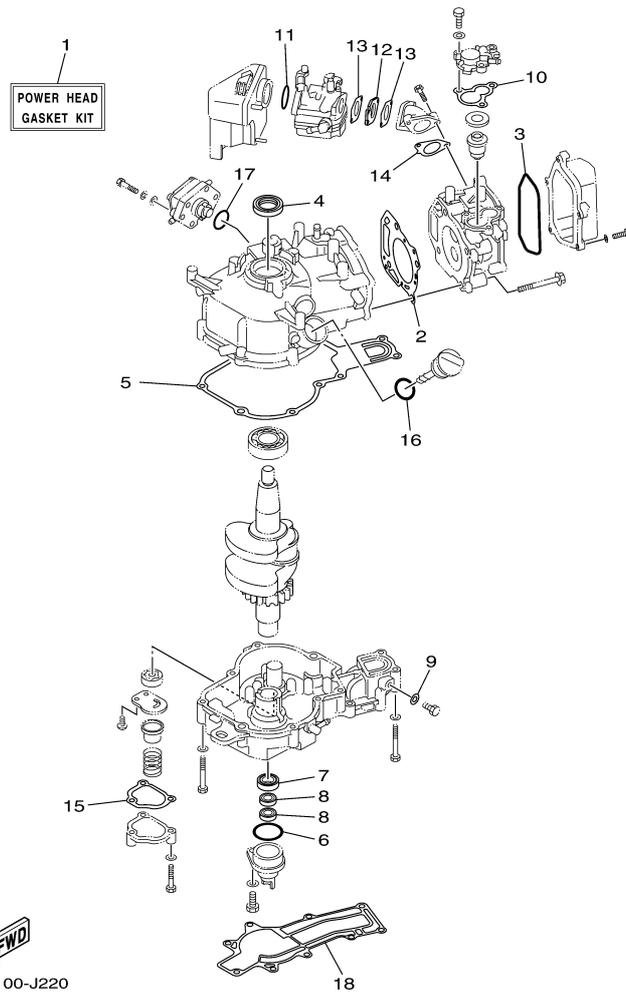
## Part List

F6SMHA\_0711 / FUEL TANK

| REF<br>-<br>NO | PART<br>NUMBER  | PART NAME            | QUANTITY | REMARKS |
|----------------|-----------------|----------------------|----------|---------|
| 1              | 6YL-24201-21-00 | FUEL TANK ASSY (12L) | 1        | AP      |
| 2              | 6YL-24610-10-00 | .CAP ASSY            | 1        |         |
| 3              | 6YL-24641-10-00 | ..GASKET, CAP 1      | 1        |         |
| 4              | 6YL-24629-00-00 | .RING                | 1        |         |
| 5              | 6YK-24306-71-00 | FUEL PIPE COMP. 1    | 1        | AP      |



F6SMHA\_0711 / REPAIR KIT 1



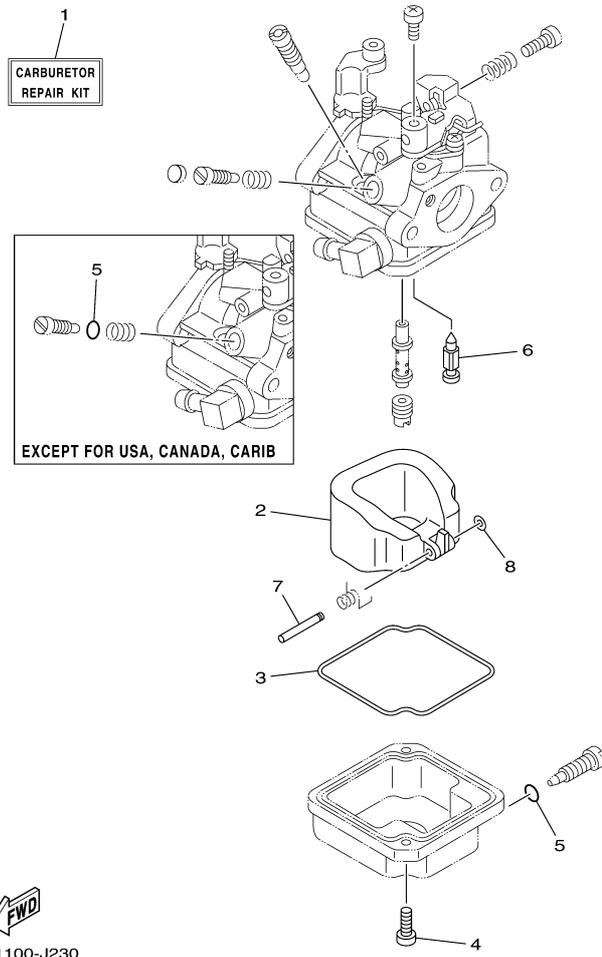
©2014 Yamaha Motor Corporation, U.S.A. All rights reserved.

## Part List

F6SMHA\_0711 / REPAIR KIT 1

| REF<br>-<br>NO | PART<br>NUMBER  | PART NAME                | QUANTITY | REMARKS |
|----------------|-----------------|--------------------------|----------|---------|
| 1              | 6BX-WE001-00-00 | POWER HEAD GASKET KIT    | 1        |         |
| 2              | 6BX-11181-00-00 | .GASKET, CYLINDER HEAD 1 | 1        |         |
| 3              | 6BX-11356-00-00 | .SEAL, CYLINDER 2        | 1        |         |
| 4              | 93102-25090-00  | .OIL SEAL                | 1        |         |
| 5              | 6BX-11351-00-00 | .GASKET, CYLINDER        | 1        |         |
| 6              | 93210-35537-00  | .O-RING                  | 1        |         |
| 7              | 93102-20108-00  | .OIL SEAL                | 1        |         |
| 8              | 93102-10004-00  | .OIL SEAL                | 2        |         |
| 9              | 90430-08800-00  | .GASKET                  | 1        |         |
| 10             | 68D-E2414-A0-00 | .GASKET, COVER           | 1        |         |
| 11             | 93210-320A7-00  | .O-RING                  | 1        |         |
| 12             | 6BX-E3647-00-00 | .GASKET, MANIFOLD 3      | 1        |         |
| 13             | 6BX-E3646-00-00 | .GASKET, MANIFOLD 2      | 2        |         |
| 14             | 6BX-E3645-00-00 | .GASKET, MANIFOLD 1      | 1        |         |
| 15             | 6BX-E3475-00-00 | .GASKET                  | 1        |         |
| 16             | 93210-24M79-00  | .O-RING                  | 1        |         |
| 17             | 93210-27ME3-00  | .O-RING                  | 1        |         |
| 18             | 6BX-45113-00-00 | .GASKET, UPPER CASING    | 1        |         |

F6SMHA\_0711 / REPAIR KIT 2



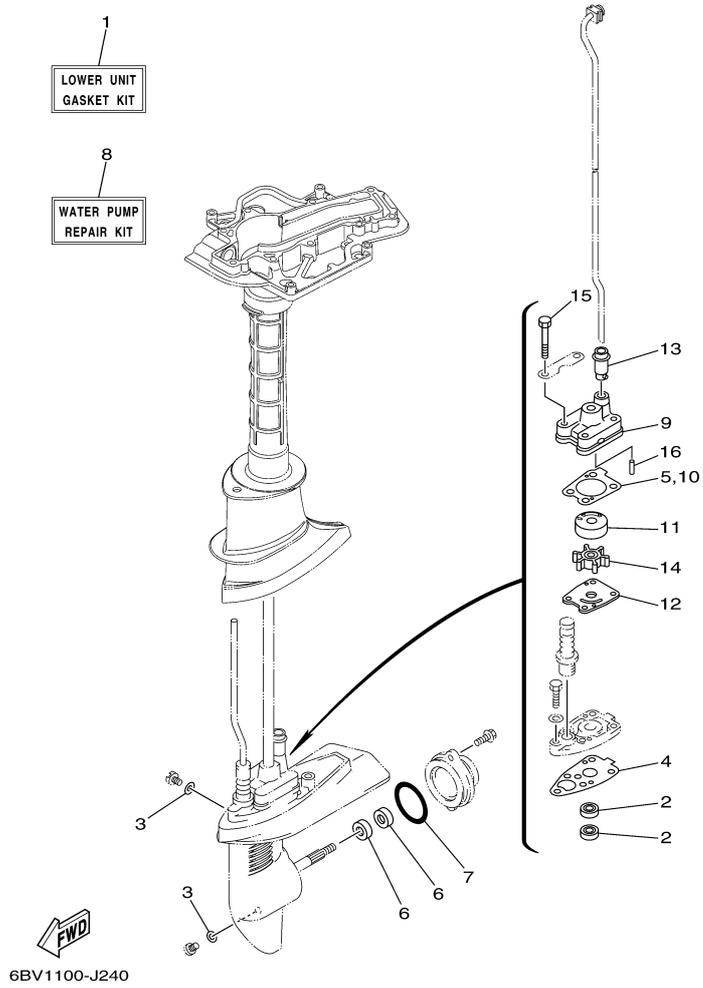
©2014 Yamaha Motor Corporation, U.S.A. All rights reserved.

## Part List

F6SMHA\_0711 / REPAIR KIT 2

| REF<br>-<br>NO | PART<br>NUMBER  | PART NAME              | QUANTITY | REMARKS |
|----------------|-----------------|------------------------|----------|---------|
| 1              | 6BX-W0093-00-00 | CARBURETOR REPAIR KIT  | 1        |         |
| 2              | 6BX-14985-00-00 | .FLOAT                 | 1        |         |
| 3              | 6BX-14984-00-00 | .GASKET, FLOAT CHAMBER | 1        |         |
| 4              | 6BX-14592-00-00 | .SCREW                 | 2        |         |
| 5              | 4JH-14562-00-00 | .O-RING                | 2        |         |
| 6              | 6BX-14546-00-00 | .VALVE, NEEDLE         | 1        |         |
| 7              | 6BX-14548-00-00 | .PIN, FLOAT ARM        | 1        |         |
| 8              | 6BX-14937-00-00 | .CLIP                  | 1        |         |

F6SMHA\_0711 / REPAIR KIT 3



©2014 Yamaha Motor Corporation, U.S.A. All rights reserved.

## Part List

F6SMHA\_0711 / REPAIR KIT 3

| REF - NO | PART NUMBER     | PART NAME               | QUANTITY | REMARKS |
|----------|-----------------|-------------------------|----------|---------|
| 1        | 6BX-WG001-20-00 | LOWER UNIT GASKET KIT   | 1        |         |
| 2        | 93101-10M14-00  | .OIL SEAL               | 2        |         |
| 3        | 90430-08020-00  | .GASKET                 | 3        |         |
| 4        | 68D-G5315-A0-00 | .PACKING, LOWER CASING  | 1        |         |
| 5        | 6BX-G4315-01-00 | .GASKET, WATER PUMP     | 1        |         |
| 6        | 93101-13M12-00  | .OIL SEAL               | 2        |         |
| 7        | 93210-48214-00  | .O-RING                 | 1        |         |
| 8        | 6BX-WG078-00-00 | WATER PUMP REPAIR KIT   | 1        |         |
| 9        | 6BX-44311-00-00 | .HOUSING, WATER PUMP    | 1        |         |
| 10       | 6BX-G4315-01-00 | .GASKET, WATER PUMP     | 1        |         |
| 11       | 6BX-44322-00-00 | .INSERT, CARTRIDGE      | 1        |         |
| 12       | 6BX-44323-00-00 | .OUTER PLATE, CARTRIDGE | 1        |         |
| 13       | 67D-44366-00-00 | .DAMPER, WATER SEAL 2   | 1        |         |
| 14       | 6E0-44352-00-00 | .IMPELLER               | 1        |         |
| 15       | 97095-06045-00  | .BOLT                   | 4        |         |
| 16       | 93604-18080-00  | .PIN, DOWEL             | 2        |         |

## Part Notes

F6SMHA\_0711 / REPAIR KIT 3

| PART NUMBER  | NOTE TEXT  |
|--|--|
| 90430-08020-00  | OEM: This part number is among the Top 100 Most Popular Marine Maintenance Parts as of March 2014. |

©2014 Yamaha Motor Corporation, U.S.A. All rights reserved.

©2014 Yamaha Motor Corporation, U.S.A. All rights reserved.