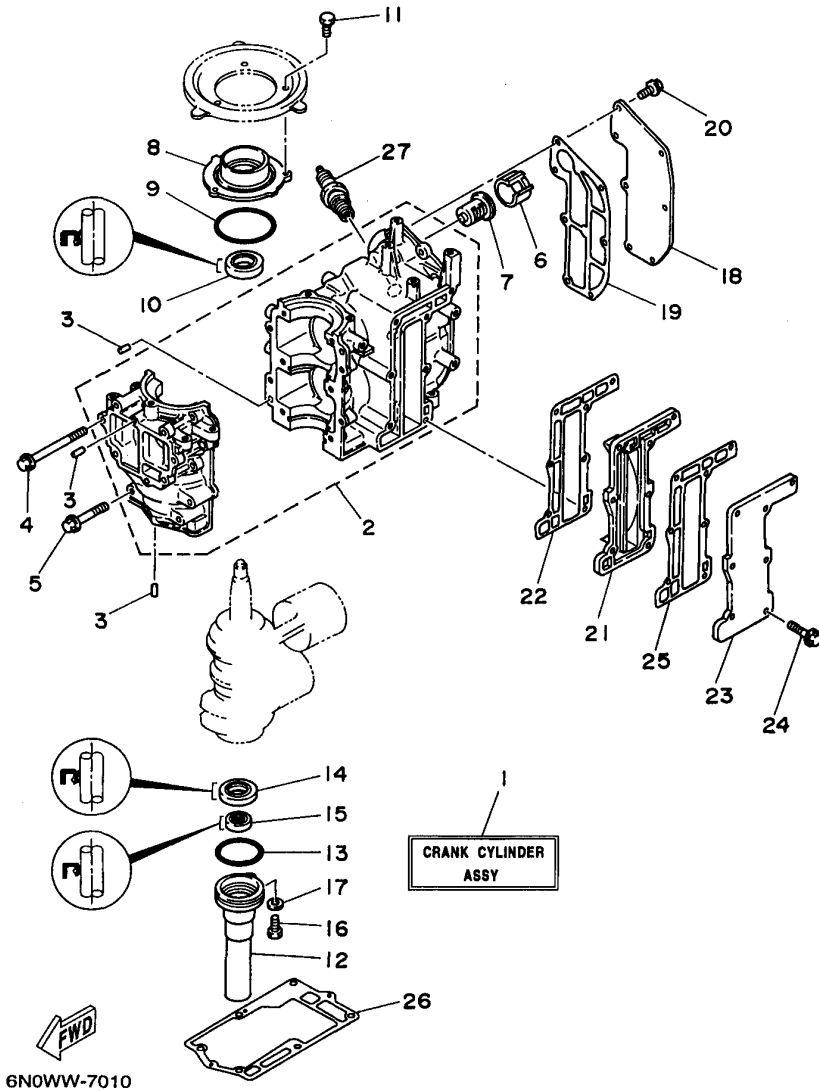


8MLHV 1997 / CYLINDER CRANKCASE




Part List

8MLHV 1997 / CYLINDER CRANKCASE

| REF - NO | PART NUMBER | PART NAME | QUANTITY | REMARKS |
|----------|-----------------|------------------------------|----------|---------|
| 1 | 6N0-W0090-00-4D | CRANK CYLINDER ASSY | 1 | |
| 2 | 6N0-E5100-00-94 | CRANKCASE ASSY | 1 | |
| 3 | 93604-08062-00 | PIN, DOWEL | 4 | |
| 4 | 90105-06M26-00 | BOLT, FLANGE | 6 | |
| 5 | 90105-06M25-00 | BOLT, FLANGE | 4 | |
| 6 | 90387-22M50-00 | COLLAR | 1 | |
| 7 | 6E5-12411-01-00 | THERMOSTAT | 1 | |
| 8 | 6G1-15359-01-94 | HOUSING, OIL SEAL | 1 | |
| 9 | 93210-54M54-00 | O-RING | 1 | |
| 10 | 93102-20M25-00 | OIL SEAL | 1 | |
| 11 | 97013-06016-00 | BOLT | 3 | |
| 12 | 6G1-15396-02-5B | HOUSING, OIL SEAL | 1 | |
| 13 | 93210-42159-00 | .O-RING | 1 | |
| 14 | 93101-20M29-00 | OIL SEAL | 1 | |
| 15 | 93101-12M26-00 | .OIL SEAL | 1 | |
| 16 | 97095-06016-00 | BOLT | 1 | |
| 17 | 92990-06600-00 | WASHER, PLATE | 1 | |
| 18 | 6N0-E1191-00-9M | COVER, CYLINDER HEAD 1 | 1 | |
| 19 | 6G1-11193-A1-00 | .GASKET, HEAD COVER 1 | 1 | |
| 20 | 90105-06M14-00 | BOLT FLANGE | 7 | |
| 21 | 6N0-G1111-00-9M | INNER COVER, EXHAUST | 1 | |
| 22 | 6G1-41112-A1-00 | .GASKET, EXHAUST INNER COVER | 1 | |
| 23 | 6G1-41113-01-9M | OUTER COVER, EXHAUST | 1 | |
| 24 | 90105-06M24-00 | BOLT, FLANGE | 7 | |
| 25 | 6G1-41114-A0-00 | GASKET, EXHAUST OUTER COVER | 1 | |
| 26 | 6G1-45113-A1-00 | GASKET, UPPER CASING | 1 | |
| 27 | NGK-B7HS1-00-00 | PLUG, SPARK (NGK B7HS-10) | 1 | |

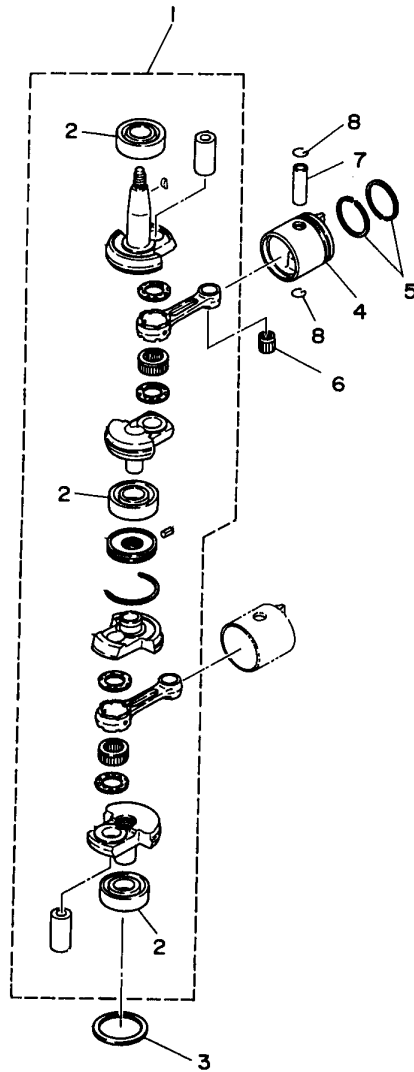
Part Notes

8MLHV 1997 / CYLINDER CRANKCASE

| PART NUMBER | NOTE TEXT |
|--|--|
| 92990-06600-00  | OEM: This part number is among the Top 100 Most Popular Marine Maintenance Parts as of March 2014. |

©2014 Yamaha Motor Corporation, U.S.A. All rights reserved.

8MLHV 1997 / CRANKSHAFT PISTON



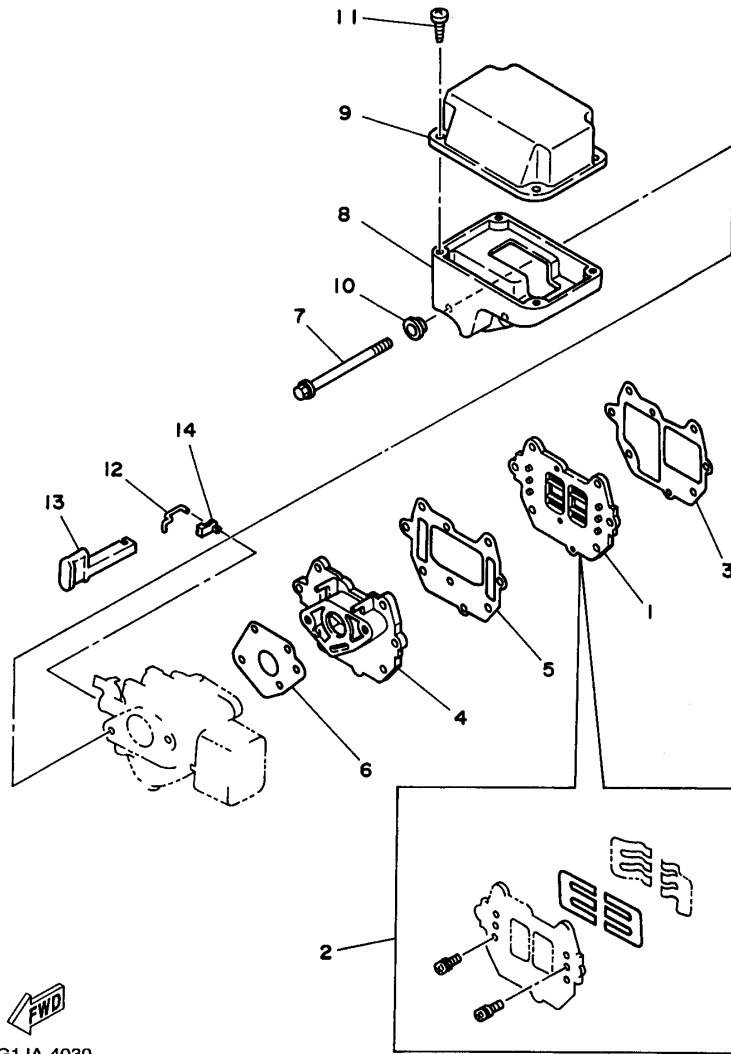
6G1JA-4020

Part List

8MLHV 1997 / CRANKSHAFT PISTON

| REF - NO | PART NUMBER | PART NAME | QUANTITY | REMARKS |
|----------------|-----------------|---------------------------------|----------|---------|
| 1 | 6N0-E1400-00-00 | CRANKSHAFT ASSY | 1 | |
| 2 | 93306-204U0-00 | .BEARING | 3 | |
| 3 | 90201-41528-00 | .WASHER, PLATE (90201-41303-00) | 1 | |
| 4 | 6G1-11631-00-98 | PISTON (STD) | 2 | |
| 5 | 6G1-11603-00-00 | PISTON RING SET (STD) | 2 | |
| 6 | 93310-112V0-00 | BEARING | 2 | |
| 7 | 6G1-11633-00-00 | PIN, PISTON | 2 | |
| 8 | 93450-13022-00 | CIRCLIP | 4 | |

8MLHV 1997 / INTAKE



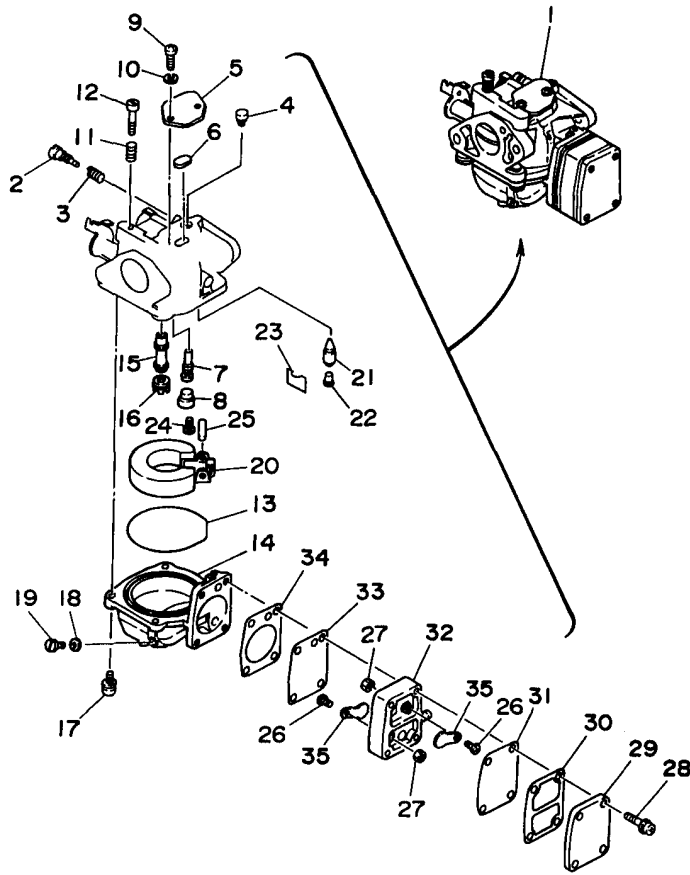

6G1JA-4030

Part List

8MLHV 1997 / INTAKE

| REF - NO | PART NUMBER | PART NAME | QUANTITY | REMARKS |
|----------------|-----------------|---------------------|----------|---------|
| 1 | 6G1-13610-01-00 | REED VALVE ASSY | 1 | |
| 2 | 6G1-W0004-00-00 | .REED SET | 1 | |
| 3 | 6G1-13621-A1-00 | .GASKET, VALVE SEAT | 1 | |
| 4 | 6N0-E3641-00-94 | MANIFOLD 1 | 1 | |
| 5 | 6G1-13645-A1-00 | .GASKET, MANIFOLD 1 | 1 | |
| 6 | 6G1-14198-A1-00 | GASKET | 1 | |
| 7 | 95895-06085-00 | BOLT, FLANGE | 2 | |
| 8 | 6M8-E4417-00-00 | COVER 1 | 1 | |
| 9 | 6M8-E4418-00-00 | COVER 2 | 1 | |
| 10 | 90387-06M70-00 | COLLAR | 2 | |
| 11 | 97780-50514-00 | SCREW, TAPPING | 4 | |
| 12 | 6G1-41256-00-00 | ROD, CHOKE 1 | 1 | |
| 13 | 6G1-41271-00-00 | KNOB, CHOKE | 1 | |
| 14 | 661-41262-02-00 | JOINT, CHOKE LEVER | 1 | |

8MLHV 1997 / CARBURETOR



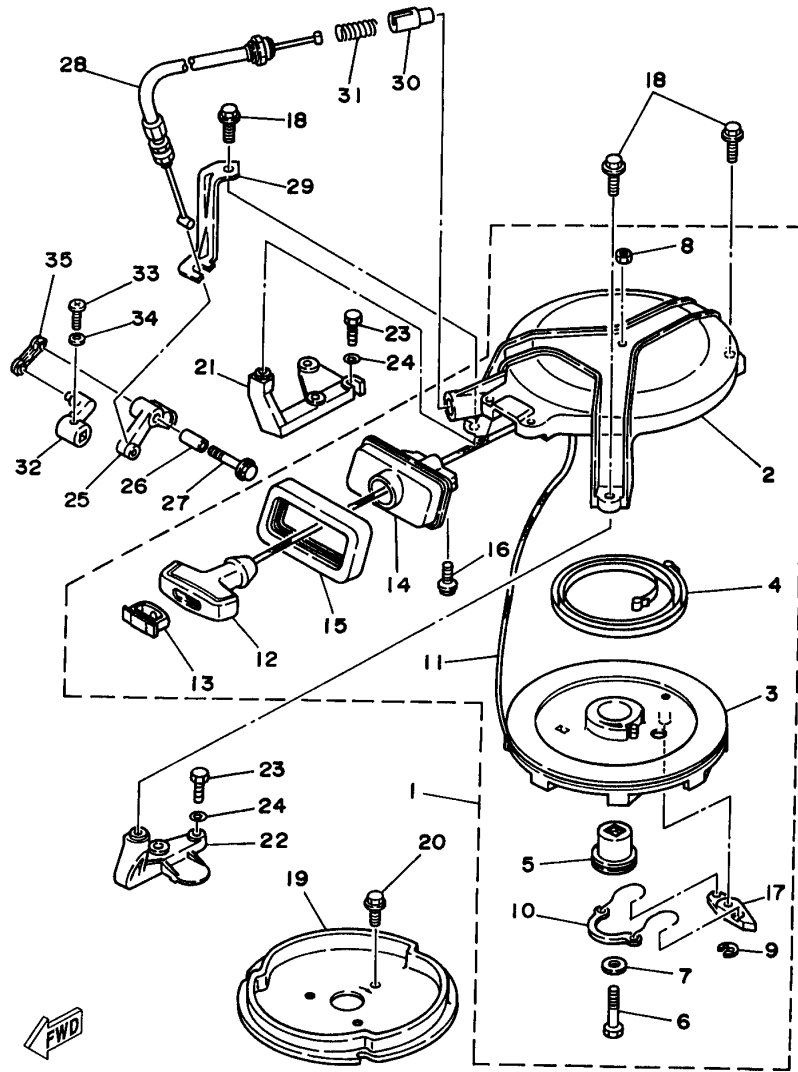
6G1JA-4040

Part List

8MLHV 1997 / CARBURETOR

| REF - NO | PART NUMBER | PART NAME | QUANTITY | REMARKS |
|----------------|-----------------|----------------------|----------|---------|
| 1 | 6G1-14301-01-00 | CARBURETOR ASSY 1 | 1 | |
| 2 | 679-14923-00-00 | .SCREW, PILOT | 1 | |
| 3 | 679-14555-00-00 | .SPRING | 1 | |
| 4 | 6G1-14966-00-00 | .CAP | 1 | |
| 5 | 6G1-14527-00-00 | .PLATE | 1 | |
| 6 | 6G1-14126-00-00 | .GASKET | 1 | |
| 7 | 6G1-14948-05-00 | .JET (#45) | 1 | |
| 8 | 676-14966-00-00 | .CAP | 1 | |
| 9 | 98580-04010-00 | .SCREW, PAN HEAD | 2 | |
| 10 | 92990-04100-00 | .WASHER, SPRING | 2 | |
| 11 | 90501-10326-00 | .SPRING, COMPRESSION | 1 | |
| 12 | 63V-14523-00-00 | .SCREW, STOP | 1 | |
| 13 | 6G1-14984-00-00 | .O-RING | 1 | |
| 14 | 6G1-14980-01-00 | .BODY, FLOAT CHAMBER | 1 | |
| 15 | 6G1-14947-00-00 | .JET, NEEDLE | 1 | |
| 16 | 676-14943-26-00 | .JET, MAIN (#98) | 1 | |
| 17 | 97980-04114-00 | .SCREW, WITH WASHER | 4 | |
| 18 | 6G1-14398-00-00 | .WASHER | 1 | |
| 19 | 6G1-14992-00-00 | .SCREW, DRAIN | 1 | |
| 20 | 6G1-14985-00-00 | .FLOAT | 1 | |
| 21 | 6G1-14546-00-00 | .VALVE, NEEDLE | 1 | |
| 22 | 676-14186-00-00 | .PIN, FLOAT | 1 | |
| 23 | 663-14159-00-00 | .CLIP | 1 | |
| 24 | 98580-04008-00 | .SCREW, PAN HEAD | 1 | |
| 25 | 688-14548-00-00 | .PIN, FLOAT ARM | 1 | |
| 26 | 98580-03006-00 | .SCREW, PAN HEAD | 2 | |
| 27 | 95380-03600-00 | .NUT | 2 | |
| 28 | 97980-04125-00 | .SCREW, WITH WASHER | 4 | |
| 29 | 6G1-24452-00-00 | .COVER | 1 | |
| 30 | 6G1-24432-00-00 | .GASKET, FUEL PUMP 2 | 1 | |
| 31 | 6G1-24471-00-00 | .DIAPHRAGM | 1 | |
| 32 | 6G1-24412-01-00 | .BODY 1 | 1 | |
| 33 | 6G1-24411-00-00 | .DIAPHRAGM | 1 | |
| 34 | 6G1-24431-01-00 | .GASKET, FUEL PUMP 1 | 1 | |
| 35 | 6G1-24421-00-00 | .VALVE, CHECK | 2 | |

8MLHV 1997 / STARTER




6N0WW-7050


Part List

8MLHV 1997 / STARTER

| REF - NO | PART NUMBER | PART NAME | QUANTITY | REMARKS |
|----------------|-----------------|------------------------------|----------|---------|
| 1 | 6M8-E5710-03-00 | STARTER ASSY | 1 | |
| 2 | 6N0-E5711-80-94 | .CASE, STARTER | 1 | |
| 3 | 6M8-E5714-00-00 | .DRUM, SHEAVE | 1 | |
| 4 | 90510-08800-00 | .SPRING, SPIRAL | 1 | |
| 5 | 6G1-15717-00-00 | .SHAFT, STARTER | 1 | |
| 6 | 97014-06035-00 | .BOLT, HEXAGON | 1 | |
| 7 | 90201-06M30-00 | .WASHER, PLATE | 1 | |
| 8 | 95380-06600-00 | .NUT, HEXAGON | 1 | |
| 9 | 93430-06M02-00 | .CIRCLIP | 1 | |
| 10 | 6G1-15705-00-00 | .SPRING, DRIVE PAWL | 1 | |
| 11 | 90580-40M02-00 | .ROPE, STARTER | 1 | |
| 12 | 6G1-15755-00-00 | .HANDLE, STARTER | 1 | |
| 13 | 6G1-15779-00-00 | .COVER | 1 | |
| 14 | 6N0-E5758-00-00 | .GUIDE, ROPE | 1 | |
| 15 | 6N0-E5762-00-00 | .SEAL, RUBBER 2 | 1 | |
| 16 | 95895-06016-00 | .BOLT, FLANGE | 2 | |
| 17 | 677-15741-01-00 | .PAWL, DRIVE | 1 | |
| 18 | 95895-06020-00 | BOLT, FLANGE | 3 | |
| 19 | 6N0-E5723-00-94 | PULLEY, STARTER | 1 | |
| 20 | 90105-06M29-00 | BOLT, FLANGE | 3 | |
| 21 | 6N0-E5771-00-94 | STAY 1 | 1 | |
| 22 | 6N0-E5772-00-94 | STAY 2 | 1 | |
| 23 | 97075-06020-00 | BOLT | 4 | |
| 24 | 92990-06600-00 | WASHER, PLATE | 4 | |
| 25 | 6G1-15746-10-00 | ARM | 1 | |
| 26 | 6G1-15764-00-00 | COLLAR 1 | 1 | |
| 27 | 95895-06025-00 | BOLT, FLANGE | 1 | |
| 28 | 6N0-E5770-80-00 | CABLE COMP., STARTER STOP | 1 | |
| 29 | 6G1-15774-81-00 | STAY 4 | 1 | |
| 30 | 656-15748-00-00 | PLUNGER, STARTER STOP | 1 | |
| 31 | 90501-10227-00 | SPRING, COMPRESSION | 1 | |
| 32 | 6G1-44125-80-00 | LEVER, SHIFT ROD | 1 | |
| 33 | 97885-05016-00 | SCREW, PAN HEAD | 1 | |
| 34 | 92990-05600-00 | WASHER, PLATE | 1 | |
| 35 | 6G1-15747-80-00 | LINK | 1 | |

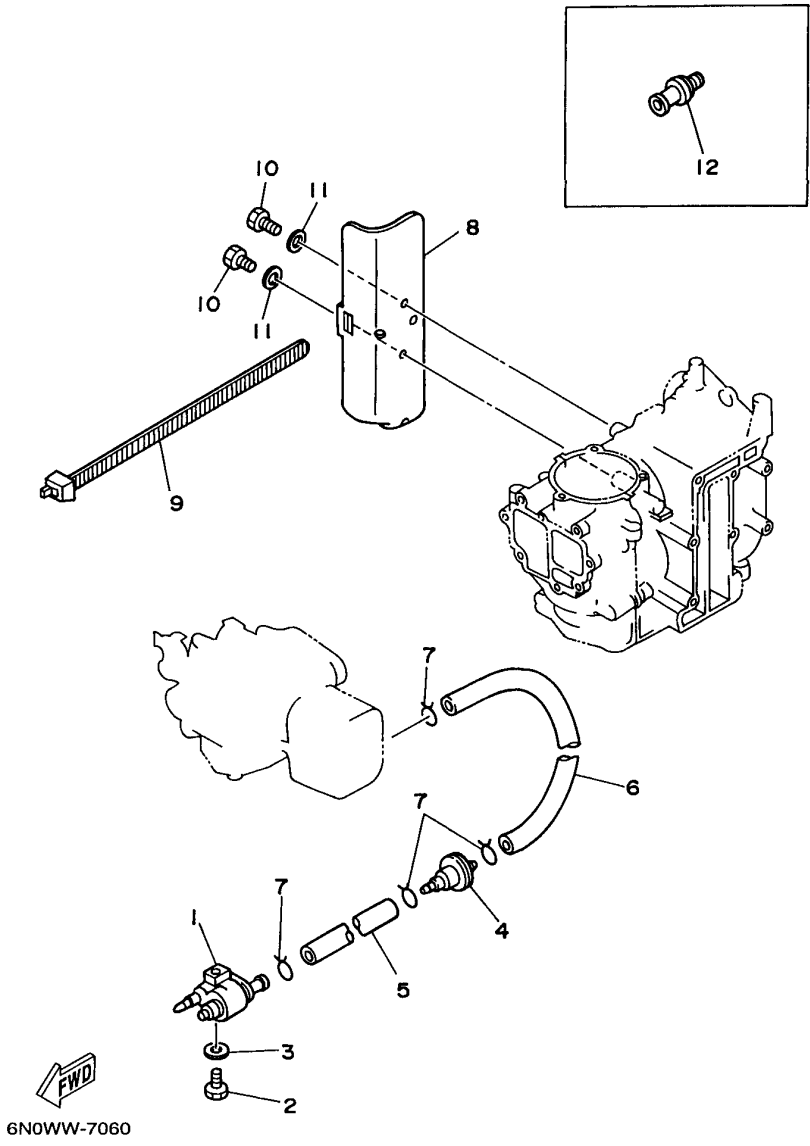
Part Notes

8MLHV 1997 / STARTER

| PART NUMBER | NOTE TEXT |
|--|--|
| 92990-06600-00  | OEM: This part number is among the Top 100 Most Popular Marine Maintenance Parts as of March 2014. |

©2014 Yamaha Motor Corporation, U.S.A. All rights reserved.

8MLHV 1997 / FUEL



©2014 Yamaha Motor Corporation, U.S.A. All rights reserved.




Part List

8MLHV 1997 / FUEL

| REF - NO | PART NUMBER | PART NAME | QUANTITY | REMARKS |
|----------------|-----------------|-------------------------|----------|---------|
| 1 | 6G1-24304-02-00 | FUEL PIPE JOINT COMP. 1 | 1 | |
| 2 | 97095-06025-00 | BOLT | 1 | |
| 3 | 92990-06600-00 | WASHER, PLATE | 1 | |
| 4 | 646-24251-02-00 | .STRAINER 1 | 1 | |
| 5 | 90445-09094-00 | HOSE (L210) | 1 | |
| 6 | 90445-09252-00 | HOSE | 1 | |
| 7 | 90467-08004-00 | CLIP | 4 | |
| 8 | 6N0-F8170-00-00 | HOLDER, TOOL | 1 | |
| 9 | 90464-14117-00 | CLAMP | 1 | |
| 10 | 97095-06012-00 | BOLT | 2 | |
| 11 | 92990-06600-00 | WASHER, PLATE | 2 | |
| 12 | 6L8-F8193-00-00 | PLUG, WATER CHECK | 1 | AP |

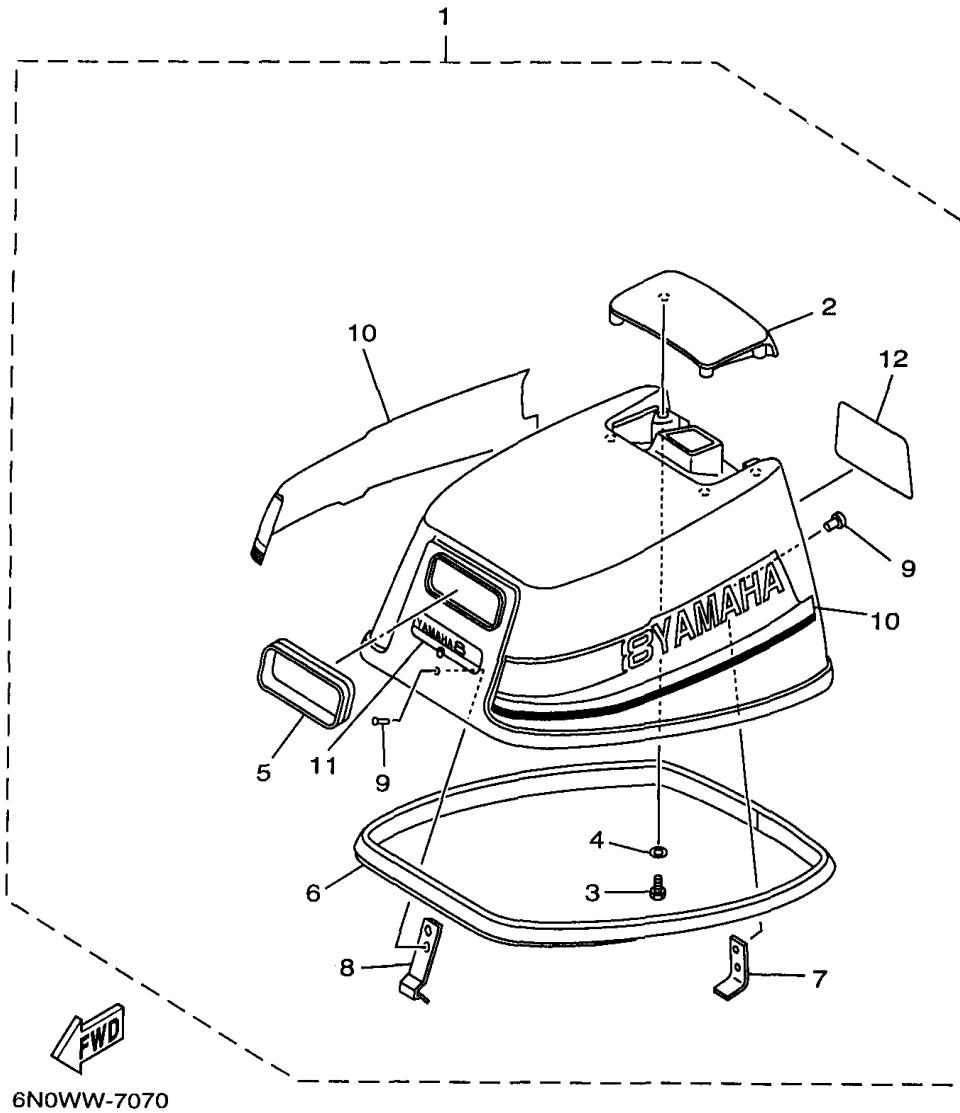
Part Notes

8MLHV 1997 / FUEL

| PART NUMBER | | NOTE TEXT |
|-----------------|---|--|
| 92990-06600-00 |  | OEM: This part number is among the Top 100 Most Popular Marine Maintenance Parts as of March 2014. |
| 646-24251-02-00 |  | OEM: This part number is among the Top 100 Most Popular Marine Maintenance Parts as of March 2014. |
| 92990-06600-00 |  | OEM: This part number is among the Top 100 Most Popular Marine Maintenance Parts as of March 2014. |

©2014 Yamaha Motor Corporation, U.S.A. All rights reserved.

8MLHV 1997 / TOP COWLING



6N0WW-7070

©2014 Yamaha Motor Corporation, U.S.A. All rights reserved.


Part List

8MLHV 1997 / TOP COWLING

| REF - NO | PART NUMBER | PART NAME | QUANTITY | REMARKS |
|----------------|-----------------|----------------------|----------|---------|
| 1 | 6N0-G2610-10-4D | TOP COWLING ASSEMBLY | 1 | |
| 2 | 6N0-G2613-00-4D | .MOLDING, AIR DUCT | 1 | |
| 3 | 97095-06016-00 | .BOLT | 4 | |
| 4 | 92990-06600-00 | .WASHER, PLATE | 4 | |
| 5 | 6G1-15761-00-00 | .SEAL, RUBBER 1 | 1 | |
| 6 | 6N0-G2615-00-00 | .SEAL | 1 | |
| 7 | 6G1-42647-00-00 | .HOLDER, CLAMP BAND | 1 | |
| 8 | 6N0-G2651-00-00 | .HOOK | 1 | |
| 9 | 90266-04M00-00 | .RIVET | 4 | |
| 10 | 6G1-W0070-13-00 | .GRAPHIC SET | 1 | |
| 11 | 6N0-G2677-10-00 | .GRAPHIC, FRONT | 1 | |
| 12 | 6N0-G2678-10-00 | .GRAPHIC, REAR | 1 | |

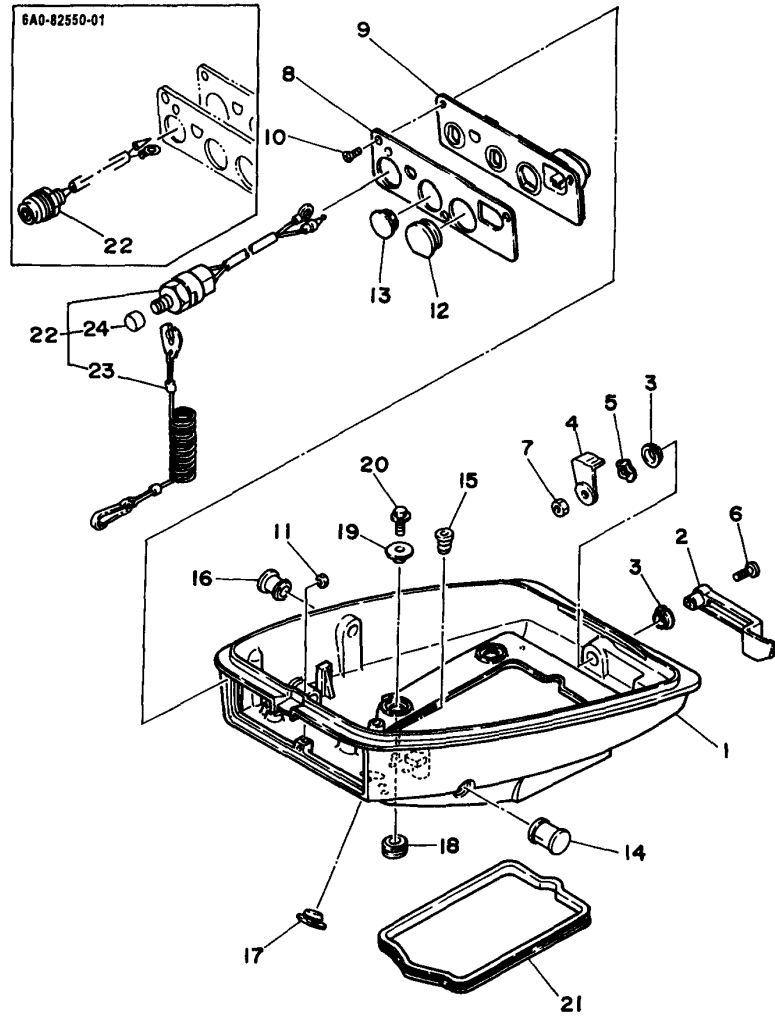
Part Notes

8MLHV 1997 / TOP COWLING

| PART NUMBER | NOTE TEXT |
|--|--|
| 92990-06600-00  | OEM: This part number is among the Top 100 Most Popular Marine Maintenance Parts as of March 2014. |

©2014 Yamaha Motor Corporation, U.S.A. All rights reserved.

8MLHV 1997 / BOTTOM COWLING



6NOWW-7080


Part List

8MLHV 1997 / BOTTOM COWLING

| REF - NO | PART NUMBER | PART NAME | QUANTITY | REMARKS |
|----------------|-----------------|-------------------------|----------|---------|
| 1 | 6N0-G2711-00-4D | COWLING, BOTTOM 1 | 1 | |
| 2 | 6N0-G2815-00-4D | LEVER, CLAMP | 1 | |
| 3 | 90386-12M45-00 | BUSH | 2 | |
| 4 | 6E0-42816-00-00 | LEVER, CLAMP | 1 | |
| 5 | 90206-12052-00 | WASHER, WAVE | 1 | |
| 6 | 97885-06030-00 | SCREW, PAN HEAD | 1 | |
| 7 | 95380-06700-00 | NUT | 1 | |
| 8 | 6N0-G2719-80-00 | PANEL, FRONT LOWER | 1 | |
| 9 | 6N0-G2767-00-00 | BRACKET | 1 | |
| 10 | 90149-05M02-00 | SCREW | 3 | |
| 11 | 95380-05700-00 | NUT | 1 | |
| 12 | 6G1-42724-00-00 | GROMMET | 1 | |
| 13 | 6G1-42725-00-00 | GROMMET | 1 | |
| 14 | 6G1-42726-00-00 | GROMMET | 1 | |
| 15 | 6G1-42727-00-00 | GROMMET | 1 | |
| 16 | 6G1-42748-00-00 | GROMMET | 1 | |
| 17 | 6G1-26326-00-00 | GROMMET | 1 | |
| 18 | 90480-15M31-00 | GROMMET | 4 | |
| 19 | 90387-06M52-00 | COLLAR | 4 | |
| 20 | 95895-06020-00 | BOLT, FLANGE | 4 | |
| 21 | 6N0-G2716-00-00 | RUBBER, SEAL 1 | 1 | |
| 22 | 6E9-82575-02-00 | ENGINE STOP SWITCH ASSY | 1 | |
| 23 | 682-82556-00-00 | .LANYARD, STOP SWITCH | 1 | |
| 24 | 689-8257Y-00-00 | .CAP | 1 | |

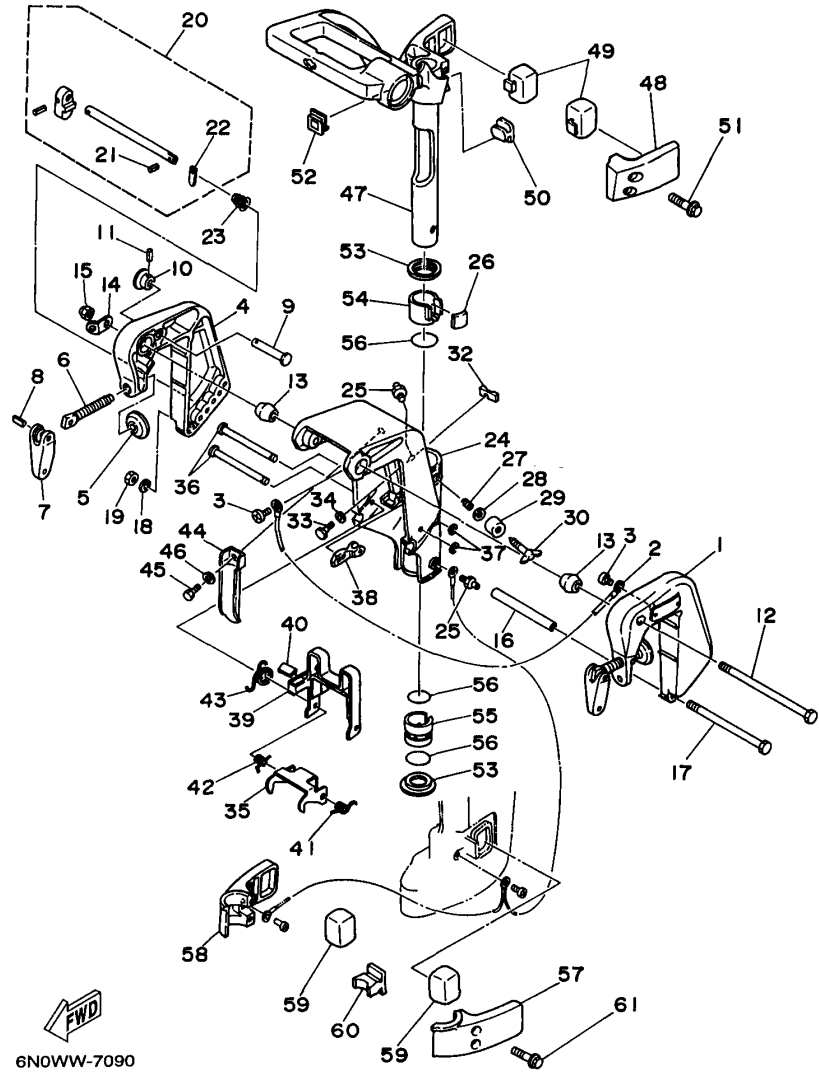
Part Notes

8MLHV 1997 / BOTTOM COWLING

| PART NUMBER | NOTE TEXT |
|---|--|
| 682-82556-00-00  | OEM: This part number is among the Top 100 Most Popular Marine Maintenance Parts as of March 2014. |

©2014 Yamaha Motor Corporation, U.S.A. All rights reserved.

8MLHV 1997 / BRACKET 1



©2014 Yamaha Motor Corporation, U.S.A. All rights reserved.

Part List



8MLHV 1997 / BRACKET 1

| REF - NO | PART NUMBER | PART NAME | QUANTITY | REMARKS |
|----------------|-----------------|---------------------------------|----------|---------|
| 1 | 6M8-G3111-01-4D | BRACKET, CLAMP | 1 | |
| 2 | 6E5-82148-00-00 | WIRE, LEAD 4 | 1 | |
| 3 | 97885-06008-00 | SCREW, PAN HEAD | 2 | |
| 4 | 6M8-G3112-00-4D | BRACKET, CLAMP | 1 | |
| 5 | 648-43114-01-00 | PAD, TRANSOM CLAMP | 2 | |
| 6 | 6N0-G3116-00-00 | SCREW, TRANSOM CLAMP | 2 | |
| 7 | 6L8-G3118-01-00 | HANDLE, TRANSOM CLAMP | 2 | |
| 8 | 90243-04M01-00 | PIN | 2 | |
| 9 | 689-43191-00-00 | SHAFT, STOPPER | 1 | |
| 10 | 689-43192-01-00 | KNOB, STOPPER | 1 | |
| 11 | 91690-30016-00 | PIN, SPRING | 1 | |
| 12 | 90101-08869-00 | BOLT | 1 | |
| 13 | 6N0-G3136-00-00 | PIECE, FRICTION | 2 | |
| 14 | 6A1-43113-01-00 | PLATE, CLAMP BRACKET | 1 | |
| 15 | 95780-08300-00 | ..NUT, FLANGE | 1 | |
| 16 | 90387-06M13-00 | COLLAR | 1 | |
| 17 | 97095-06135-00 | BOLT | 1 | |
| 18 | 92990-06600-00 | WASHER, PLATE | 1 | |
| 19 | 95380-06600-00 | NUT, HEXAGON | 1 | |
| 20 | 6N0-G3160-00-00 | TILT ROD ASSY | 1 | |
| 21 | 91690-30018-00 | .PIN, SPRING | 1 | |
| 22 | 6N0-G3165-00-00 | .PLATE, TILT LOCK | 1 | |
| 23 | 90502-10M06-00 | SPRING, CONICAL | 1 | |
| 24 | 6N0-G3311-10-4D | BRACKET, SWIVEL 1 | 1 | |
| 25 | 93700-06M03-00 | NIPPLE, GREASE | 2 | |
| 26 | 6G1-42528-00-00 | PLATE, FRICTION | 1 | |
| 27 | 90501-18M00-00 | SPRING, COMPRESSION | 1 | |
| 28 | 92990-08600-00 | ..WASHER, PLATE | 1 | |
| 29 | 6G1-43373-00-00 | SEAL, DAMPER | 1 | |
| 30 | 6G1-42529-00-00 | SCREW, FRICTION PIECE | 1 | |
| 32 | 6G1-44532-00-00 | STOPPER, UPPER MOUNT | 1 | |
| 33 | 97095-06010-00 | BOLT | 1 | |
| 34 | 92990-06600-00 | WASHER, PLATE | 1 | |
| 35 | 6N0-G3614-00-00 | PLATE, TILT LOCK | 1 | |
| 36 | 6G1-43659-00-00 | SHAFT, REVERSE LOCK | 2 | |
| 37 | 99080-05600-00 | CIRCLIP | 2 | |
| 38 | 6G1-43615-01-00 | PLATE, TILT LOCK | 1 | |
| 39 | 6G1-43681-00-00 | LEVER, SHALLOW WATER DRIVE 1 | 1 | |
| 40 | 6G1-43318-01-00 | COVER | 1 | |
| 41 | 90508-10M15-00 | SPRING, TORSION | 1 | |
| 42 | 90508-10M16-00 | SPRING, TORSION | 1 | |
| 43 | 90508-14M17-00 | SPRING, TORSION | 1 | |
| 44 | 6N0-G2731-00-00 | CARRYING HANDLE | 1 | |
| 45 | 97095-08016-00 | BOLT | 1 | |
| 46 | 92990-08600-00 | ..WASHER, PLATE | 1 | |
| 47 | 6M8-G2511-00-4D | BRACKET, STEERING | 1 | |
| 48 | 6G1-44511-00-4D | COVER, UPPER MOUNT | 1 | |
| 49 | 6N0-G4514-00-00 | MOUNT DAMPER, UPPER SIDE | 2 | |
| 50 | 6G1-44516-00-00 | MOUNT DAMPER, UPPER FRONT | 1 | |
| 51 | 95895-06035-00 | BOLT, FLANGE | 2 | |
| 52 | 6G1-42551-00-00 | GROMMET | 1 | |
| 53 | 6G1-42535-00-00 | WASHER, THRUST | 2 | |
| 54 | 6G1-42537-00-00 | BUSHING, PIVOT SHAFT | 1 | |
| 55 | 6G1-42538-01-00 | BUSHING, PIVOT SHAFT | 1 | |
| 56 | 93210-30M31-00 | O-RING | 3 | |
| 57 | 6N0-G4551-00-4D | HOUSING, LOWER MOUNT RUBBER | 1 | |
| 58 | 6N0-G4552-00-4D | HOUSING, LOWER MOUNT RUBBER | 1 | |

| | | | | |
|----|-----------------|------------------------------|---|--|
| 59 | 6N0-G4555-A0-00 | MOUNT DAMPER, LOWER SIDE | 2 | |
| 60 | 6N0-G4557-A0-00 | MOUNT DAMPER, LOWER FRONT | 1 | |
| 61 | 95895-06035-00 | BOLT, FLANGE | 2 | |

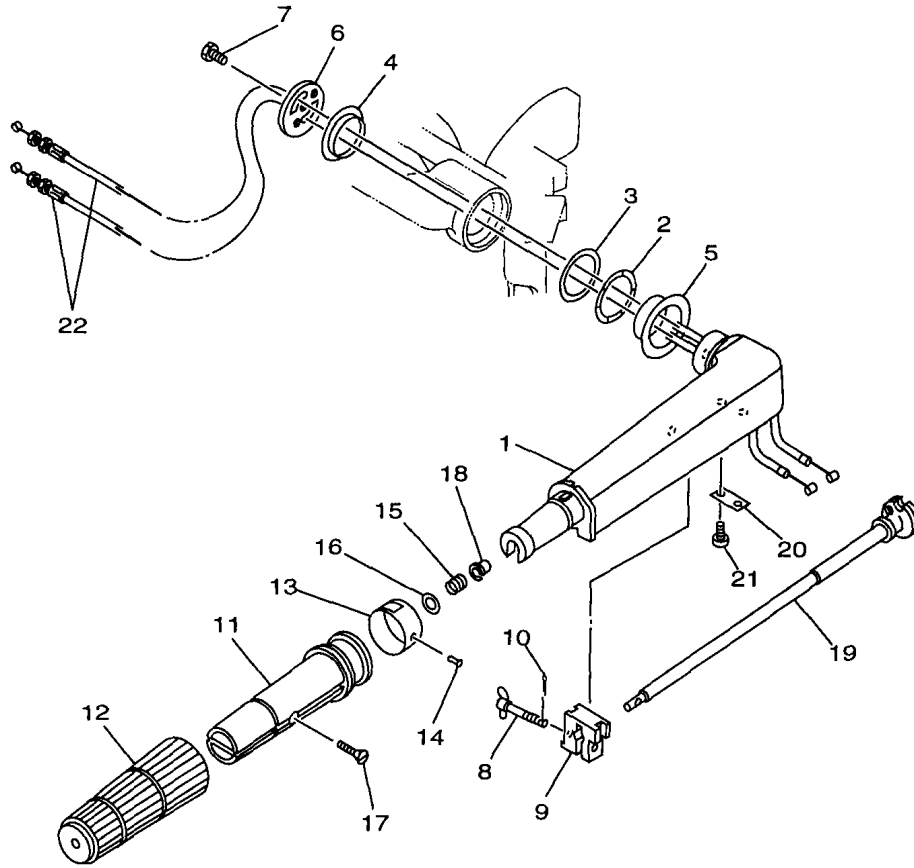
Part Notes

8MLHV 1997 / BRACKET 1

| PART NUMBER | | NOTE TEXT |
|----------------|---|--|
| 92990-06600-00 |  | OEM: This part number is among the Top 100 Most Popular Marine Maintenance Parts as of March 2014. |
| 92990-06600-00 |  | OEM: This part number is among the Top 100 Most Popular Marine Maintenance Parts as of March 2014. |

©2014 Yamaha Motor Corporation, U.S.A. All rights reserved.

8MLHV 1997 / STEERING



6N0WW-7100


Part List

8MLHV 1997 / STEERING

| REF - NO | PART NUMBER | PART NAME | QUANTITY | REMARKS |
|----------------|-----------------|-----------------------------------|----------|---------|
| 1 | 6M8-G2111-10-4D | HANDLE, STEERING | 1 | |
| 2 | 90206-36M21-00 | WASHER, WAVE | 1 | |
| 3 | 90202-36M55-00 | WASHER, PLATE | 1 | |
| 4 | 90386-33M96-00 | BUSH | 1 | |
| 5 | 90386-34M97-00 | BUSH | 1 | |
| 6 | 6G1-42131-01-00 | COVER, HANDLE STEERING | 1 | |
| 7 | 97095-06020-00 | BOLT | 1 | |
| 8 | 6N0-G2125-00-00 | BOLT, FRICTION ADJUSTING | 1 | |
| 9 | 6G1-42126-00-00 | FRICTION, STEERING HANDLE GRIP | 1 | |
| 10 | 91490-16010-00 | PIN. COTTER | 1 | |
| 11 | 6M4-G2119-00-00 | GRIP, STEERING HANDLE | 1 | |
| 12 | 6N0-G2177-00-00 | RUBBER, HANDLE | 1 | |
| 13 | 6G1-42137-10-00 | INDICATOR, THROTTLE | 1 | |
| 14 | 90269-02M09-00 | RIVET | 1 | |
| 15 | 90501-23215-00 | SPRING, COMPRESSION | 1 | |
| 16 | 92990-10600-00 | WASHER, PLATE | 1 | |
| 17 | 90149-05M13-00 | SCREW | 1 | |
| 18 | 90386-08032-00 | BUSH | 1 | |
| 19 | 6G1-42138-01-00 | LEVER, THROTTLE | 1 | |
| 20 | 6E0-42159-02-00 | STAY | 1 | |
| 21 | 97885-05012-00 | SCREW, PAN HEAD | 2 | |
| 22 | 6N0-F6301-00-00 | THROTTLE CABLE ASSY | 1 | |

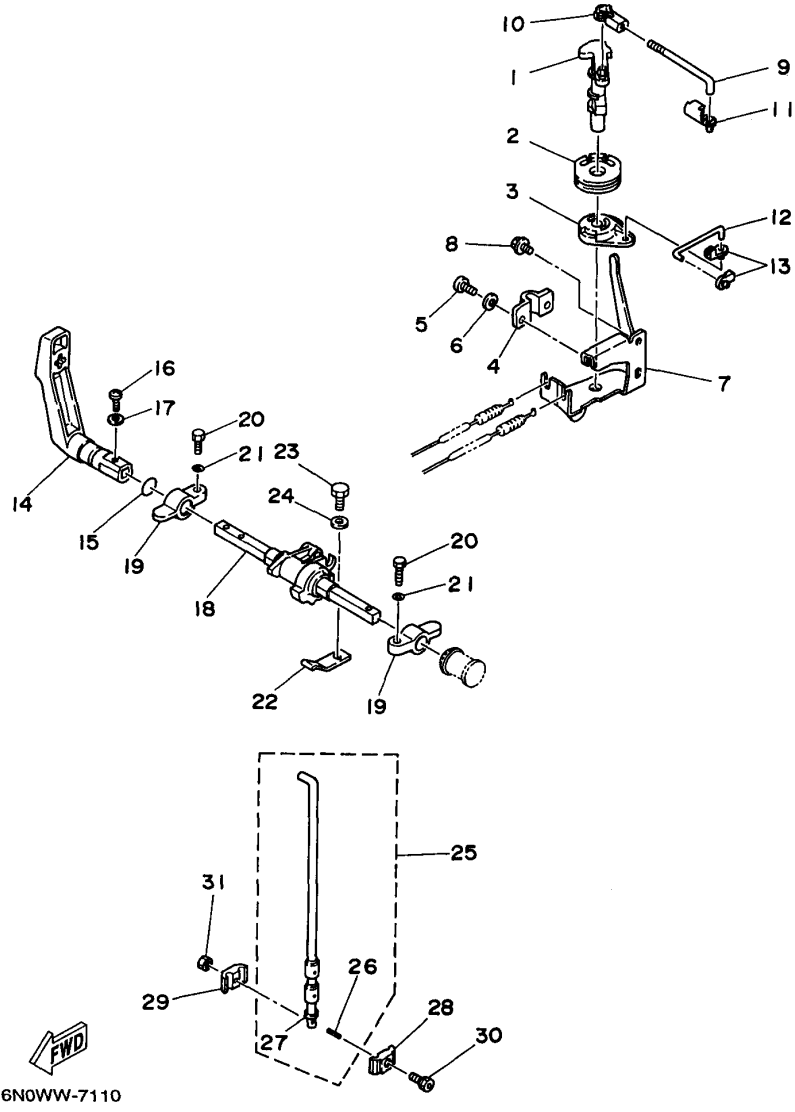
Part Notes

8MLHV 1997 / STEERING

| PART NUMBER | NOTE TEXT |
|--|--|
| 92990-10600-00  | OEM: This part number is among the Top 100 Most Popular Marine Maintenance Parts as of March 2014. |

©2014 Yamaha Motor Corporation, U.S.A. All rights reserved.

8MLHV 1997 / CONTROL



©2014 Yamaha Motor Corporation, U.S.A. All rights reserved.




Part List

8MLHV 1997 / CONTROL

| REF - NO | PART NUMBER | PART NAME | QUANTITY | REMARKS |
|----------------|-----------------|------------------------|----------|---------|
| 1 | 6G1-41631-00-00 | LEVER, MAGNETO CONTROL | 1 | |
| 2 | 6G1-41638-00-00 | PULLEY | 1 | |
| 3 | 6G1-41283-01-00 | LEVER, FREE ACCEL. | 1 | |
| 4 | 6G1-41661-00-00 | BRACKET 1 | 1 | |
| 5 | 97885-05010-00 | .SCREW, PAN HEAD | 2 | |
| 6 | 92990-05100-00 | .WASHER, SPRING | 2 | |
| 7 | 6G1-14497-80-00 | STAY, THROTTLE WIRE | 1 | |
| 8 | 95895-06010-00 | BOLT, FLANGE | 2 | |
| 9 | 6G1-41238-00-00 | JOINT, LINK | 1 | |
| 10 | 6H1-41237-00-00 | JOINT, LINK | 1 | |
| 11 | 6R5-41237-00-00 | JOINT, LINK | 1 | |
| 12 | 6G1-41211-00-00 | LINK, ACCEL. | 1 | |
| 13 | 661-41262-02-00 | JOINT, CHOKE LEVER | 2 | |
| 14 | 6N0-G4111-00-00 | HANDLE, GEAR SHIFT | 1 | |
| 15 | 93210-12790-00 | O-RING | 1 | |
| 16 | 97885-05016-00 | SCREW, PAN HEAD | 1 | |
| 17 | 92990-05600-00 | WASHER, PLATE | 1 | |
| 18 | 6G1-44121-02-94 | LEVER, SHIFT ROD | 1 | |
| 19 | 6G1-41662-01-94 | BRACKET 2 | 2 | |
| 20 | 97075-06020-00 | BOLT | 2 | |
| 21 | 92990-06600-00 | WASHER, PLATE | 2 | |
| 22 | 6G1-44116-01-00 | SPRING | 1 | |
| 23 | 97095-06012-00 | BOLT | 1 | |
| 24 | 92990-06600-00 | WASHER, PLATE | 1 | |
| 25 | 6N0-G4110-00-00 | SHIFT ROD ASSY | 1 | |
| 26 | 91690-20010-00 | .PIN, SPRING | 1 | |
| 27 | 92990-05600-00 | .WASHER, PLATE | 1 | |
| 28 | 6N0-G4145-00-00 | CONNECTOR, SHIFT ROD | 1 | |
| 29 | 6N0-G4146-00-00 | CONNECTOR, SHIFT ROD | 1 | |
| 30 | 90109-06M17-00 | BOLT | 1 | |
| 31 | 95380-06600-00 | NUT, HEXAGON | 1 | |

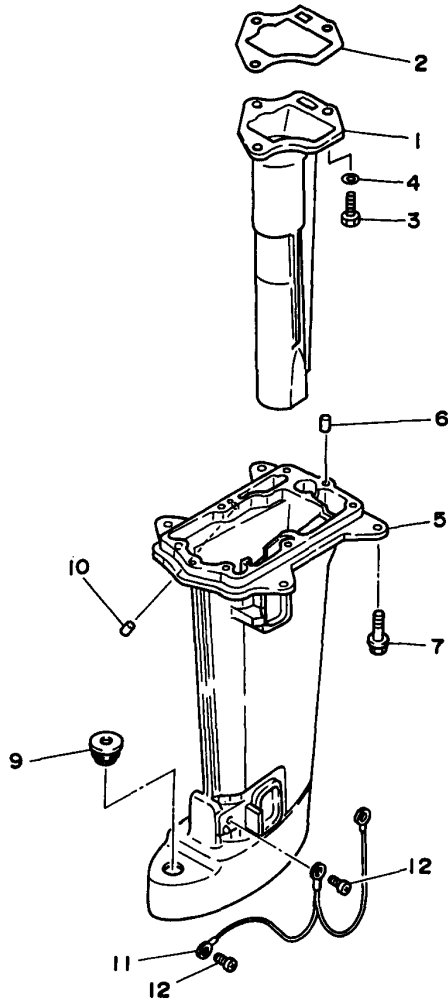
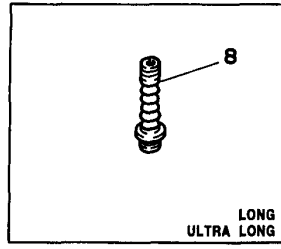
Part Notes

8MLHV 1997 / CONTROL

| PART NUMBER | | NOTE TEXT |
|-----------------|---|--|
| 6H1-41237-00-00 |  | OEM: This part number is among the Top 100 Most Popular Marine Maintenance Parts as of March 2014. |
| 92990-06600-00 |  | OEM: This part number is among the Top 100 Most Popular Marine Maintenance Parts as of March 2014. |
| 92990-06600-00 |  | OEM: This part number is among the Top 100 Most Popular Marine Maintenance Parts as of March 2014. |

©2014 Yamaha Motor Corporation, U.S.A. All rights reserved.

8MLHV 1997 / UPPER CASING




Part List

8MLHV 1997 / UPPER CASING

| REF - NO | PART NUMBER | PART NAME | QUANTITY | REMARKS |
|----------------|-----------------|--------------------------------|----------|----------|
| 1 | 6N0-G1131-00-5B | MANIFOLD, EXT. 1 | 1 | |
| 2 | 6G1-41133-A0-00 | .GASKET, EXHAUST MANIFOLD 1 | 1 | |
| 3 | 97095-06020-00 | BOLT | 3 | |
| 4 | 92990-06600-00 | WASHER, PLATE | 3 | |
| 5 | 6N0-G5111-10-4D | CASING, UPPER | 1 | UR LONG |
| 5 | 6N0-G5111-00-4D | CASING, UPPER | 1 | UR SHORT |
| 6 | 93604-08062-00 | PIN, DOWEL | 2 | |
| 7 | 95895-06030-00 | BOLT, FLANGE | 6 | |
| 8 | 6G1-44147-00-00 | .BOOT, SHIFT ROD | 1 | |
| 9 | 90480-20M29-00 | GROMMET | 1 | |
| 10 | 6G1-45135-00-00 | PIPE | 1 | |
| 11 | 6G1-82149-00-00 | WIRE, LEAD 3 | 1 | |
| 12 | 97885-06008-00 | SCREW, PAN HEAD | 2 | |

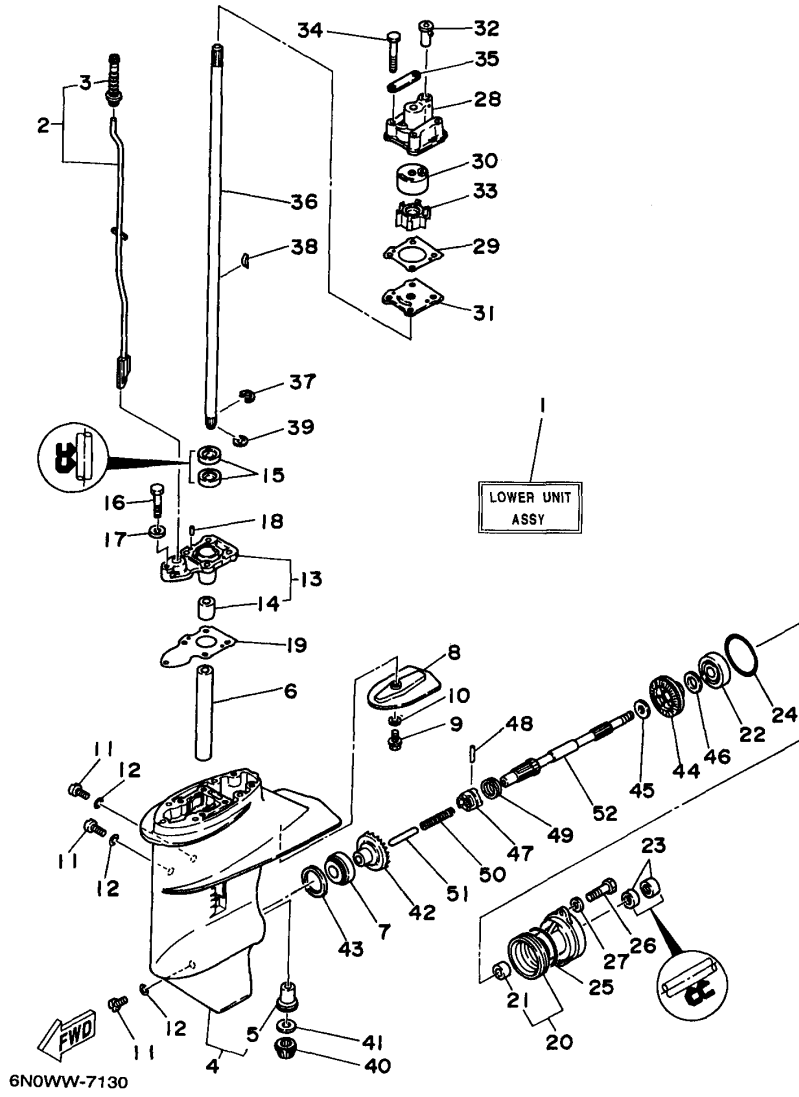
Part Notes

8MLHV 1997 / UPPER CASING

| PART NUMBER | NOTE TEXT |
|--|--|
| 92990-06600-00  | OEM: This part number is among the Top 100 Most Popular Marine Maintenance Parts as of March 2014. |

©2014 Yamaha Motor Corporation, U.S.A. All rights reserved.

8MLHV 1997 / LOWER CASING DRIVE 1



©2014 Yamaha Motor Corporation, U.S.A. All rights reserved.

Part List




8MLHV 1997 / LOWER CASING DRIVE 1

| REF - NO | PART NUMBER | PART NAME | QUANTITY | REMARKS |
|----------|-----------------|-------------------------|----------|----------|
| 1 | 6N0-45300-00-4D | LOWER UNIT ASSEMBLY | 1 | UR SHORT |
| 1 | 6N0-45300-10-4D | LOWER UNIT ASSEMBLY | 1 | UR LONG |
| 2 | 6N0-G4150-00-00 | SHIFT CAM ASSY | 1 | UR SHORT |
| 2 | 6N0-G4150-10-00 | SHIFT CAM ASSEMBLY | 1 | UR LONG |
| 3 | 6G1-44147-00-00 | .BOOT, SHIFT ROD | 1 | |
| 4 | 6N0-G5311-00-4D | CASING, LOWER | 1 | |
| 5 | 90381-11M02-00 | .BUSH, SOLID | 1 | |
| 6 | 90387-14M49-00 | COLLAR | 1 | |
| 7 | 93332-000U4-00 | BEARING | 1 | |
| 8 | 6G1-45251-03-00 | ANODE | 1 | |
| 9 | 97095-06016-00 | BOLT | 1 | |
| 10 | 92990-06300-00 | WASHER, INTERNAL TOOTH | 1 | |
| 11 | 90340-08M04-00 | PLUG, STRAIGHT SCREW | 3 | |
| 12 | 90430-08020-00 | .GASKET | 3 | |
| 13 | 6G1-45331-01-5B | HOUSING, BEARING | 1 | |
| 14 | 6G1-45316-09-00 | .BUSHING, DRIVE SHAFT | 1 | |
| 15 | 93101-11M23-00 | .OIL SEAL | 2 | |
| 16 | 97095-06030-00 | BOLT | 1 | |
| 17 | 92990-06600-00 | WASHER, PLATE | 1 | |
| 18 | 93604-08062-00 | PIN, DOWEL | 2 | |
| 19 | 6G1-45315-A0-00 | .PACKING, LOWER CASING | 1 | |
| 20 | 6N0-G5361-00-4D | CAP, LOWER CASING | 1 | |
| 21 | 90380-15M15-00 | .BUSH, SOLID | 1 | |
| 22 | 93306-00426-00 | BEARING | 1 | |
| 23 | 93101-15074-00 | .OIL SEAL | 2 | |
| 24 | 93210-49046-00 | .O-RING | 1 | |
| 25 | 93210-53679-00 | O-RING | 1 | |
| 26 | 97095-06016-00 | BOLT | 2 | |
| 27 | 92990-06600-00 | WASHER, PLATE | 2 | |
| 28 | 6N0-G4311-00-00 | HOUSING, WATER PUMP | 1 | |
| 29 | 6G1-44315-A0-00 | .GASKET, WATER PUMP | 1 | |
| 30 | 6G1-44322-00-00 | .INSERT, CARTRIDGE | 1 | |
| 31 | 6G1-44323-00-00 | .OUTER PLATE, CARTRIDGE | 1 | |
| 32 | 647-44366-00-00 | .DAMPER, WATER SEAL | 1 | |
| 33 | 6G1-44352-00-00 | .IMPELLER | 1 | |
| 34 | 97095-06045-00 | .BOLT | 4 | |
| 35 | 6G1-44328-00-00 | .PLATE | 2 | |
| 36 | 6N0-G5511-00-00 | SHAFT, DRIVE | 1 | UR SHORT |
| 36 | 6N0-G5511-10-00 | SHAFT, DRIVE | 1 | UR LONG |
| 37 | 90467-09M05-00 | CLIP | 1 | |
| 38 | 90280-03024-00 | .KEY, WOODRUFF | 1 | |
| 39 | 99009-06600-00 | CIRCLIP | 1 | |
| 40 | 6N0-G5551-00-00 | PINION (13T) | 1 | |
| 41 | 6G1-45533-00-20 | SHIM (T:2.0MM) | 1 | UR |
| 41 | 6G1-45533-00-19 | SHIM (T:1.9MM) | 1 | UR |
| 42 | 6N0-G5560-00-00 | GEAR 1 (27T) | 1 | |
| 43 | 664-45587-01-18 | SHIM (T:0.18MM) | 1 | UR |
| 43 | 664-45587-01-15 | SHIM (T:0.15MM) | 1 | UR |
| 43 | 664-45587-01-10 | SHIM (T:0.10MM) | 1 | UR |
| 43 | 664-45587-01-50 | SHIM (T:0.50MM) | 1 | UR |
| 43 | 664-45587-01-30 | SHIM (T:0.30MM) | 1 | UR |
| 43 | 664-45587-01-40 | SHIM (T:0.40MM) | 1 | UR |
| 43 | 664-45587-01-12 | SHIM (T:0.12MM) | 1 | UR |
| 44 | 6N0-G5571-00-00 | GEAR 2 (27T) | 1 | |
| 45 | 90201-15M89-00 | WASHER, PLATE | 1 | |
| 46 | 647-45567-00-12 | SHIM (T:0.12MM) | 1 | UR |
| 46 | 647-45567-00-15 | SHIM (T:0.15MM) | 1 | UR |
| 46 | 647-45567-00-18 | SHIM (T:0.18MM) | 1 | UR |
| 46 | 647-45567-00-30 | SHIM (T:0.30MM) | 1 | UR |
| 46 | 647-45567-00-10 | SHIM (T:0.10MM) | 1 | UR |

| | | | | |
|----|-----------------|---------------------|---|----|
| 46 | 647-45567-00-40 | SHIM (T:0.40MM) | 1 | UR |
| 46 | 647-45567-00-50 | SHIM (T:0.50MM) | 1 | UR |
| 47 | 6G1-45631-00-00 | CLUTCH, DOG | 1 | |
| 48 | 6G1-45632-00-00 | PIN, CROSS | 1 | |
| 49 | 654-45633-00-00 | RING, CROSS PIN | 1 | |
| 50 | 90011-2M380-0 | SPRING, COMPRESSION | 1 | |
| 51 | 6G1-45635-00-00 | PLUNGER, SHIFT | 1 | |
| 52 | 6G1-45611-01-00 | SHAFT, PROPELLER | 1 | |

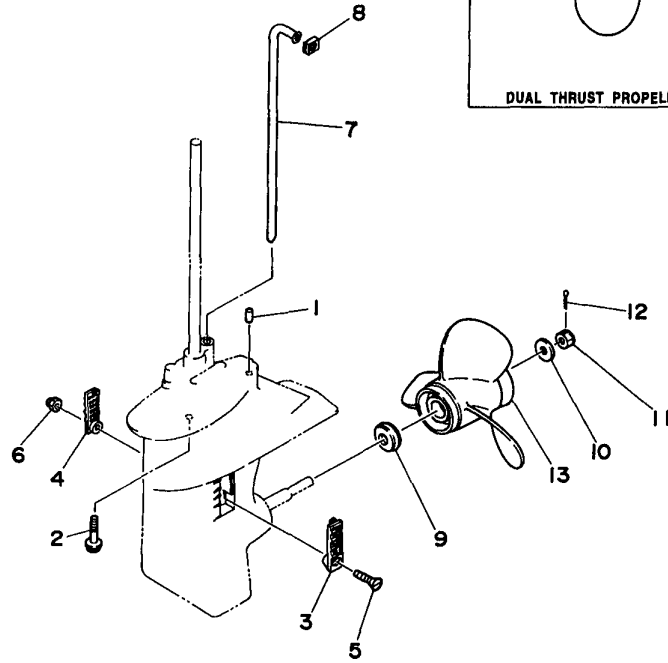
Part Notes

8MLHV 1997 / LOWER CASING DRIVE 1

| PART NUMBER | | NOTE TEXT |
|----------------|---|--|
| 90430-08020-00 |  | OEM: This part number is among the Top 100 Most Popular Marine Maintenance Parts as of March 2014. |
| 92990-06600-00 |  | OEM: This part number is among the Top 100 Most Popular Marine Maintenance Parts as of March 2014. |
| 92990-06600-00 |  | OEM: This part number is among the Top 100 Most Popular Marine Maintenance Parts as of March 2014. |

©2014 Yamaha Motor Corporation, U.S.A. All rights reserved.

8MLHV 1997 / LOWER CASING DRIVE 2



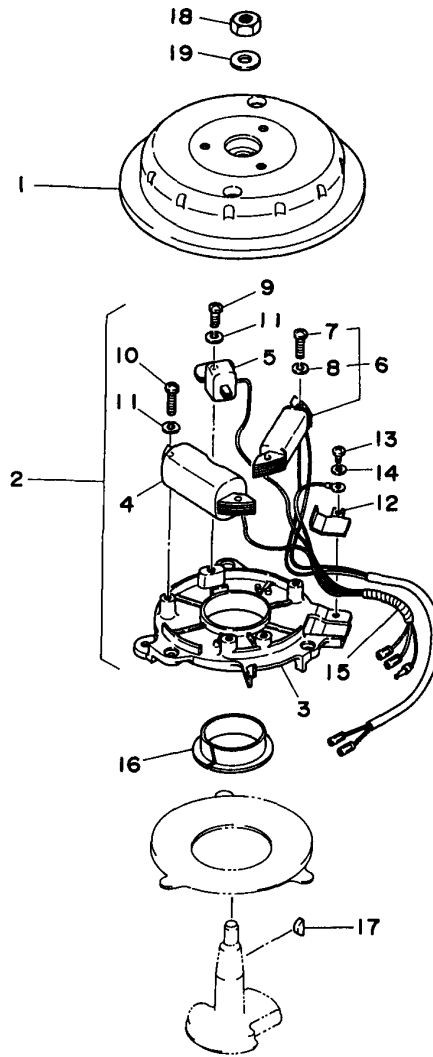
6N0WW-7140

Part List

8MLHV 1997 / LOWER CASING DRIVE 2

| REF - NO | PART NUMBER | PART NAME | QUANTITY | REMARKS |
|----------------|-----------------|-------------------------------|----------|----------|
| 1 | 93604-08062-00 | PIN, DOWEL | 2 | |
| 2 | 95895-06030-00 | BOLT, FLANGE | 4 | |
| 3 | 6G1-45214-00-00 | COVER, WATER INLET 1 | 1 | |
| 4 | 6G1-45215-00-00 | COVER, WATER INLET 2 | 1 | |
| 5 | 98180-05020-00 | SCREW, OVAL HEAD | 1 | |
| 6 | 90185-05904-00 | NUT, SELF-LOCKING | 1 | |
| 7 | 6N0-G4361-10-00 | TUBE, WATER | 1 | UR LONG |
| 7 | 6N0-G4361-00-00 | TUBE, WATER | 1 | UR SHORT |
| 8 | 6G1-44365-00-00 | DAMPER, WATER SEAL | 1 | |
| 9 | 6N0-G5987-00-00 | SPACER | 1 | |
| 10 | 90201-10M01-00 | WASHER, PLATE | 1 | |
| 11 | 90171-10M01-00 | NUT, CASTLE | 1 | |
| 12 | 91490-30020-00 | PIN. COTTER | 1 | |
| 13 | 6G1-45947-00-EL | PROPELLER (3X8-1/2"X6-1/2"-N) | 1 | UR |
| 13 | 6G1-45943-00-EL | PROPELLER (3X8-1/2"X7-1/2"-N) | 1 | UR |
| 14 | 6G1-W4592-00-EL | PROP. DUAL THRUST | 1 | UR DUAL |
| 14 | 6G1-W4591-01-EL | PROPELLER (3X9"X7"-N) | 1 | UR DUAL |
| 15 | 6G1-45616-01-00 | .NUT, PROPELLER | 1 | |
| 16 | 90201-10M02-00 | .WASHER, PLATE | 1 | |

8MLHV 1997 / GENERATOR

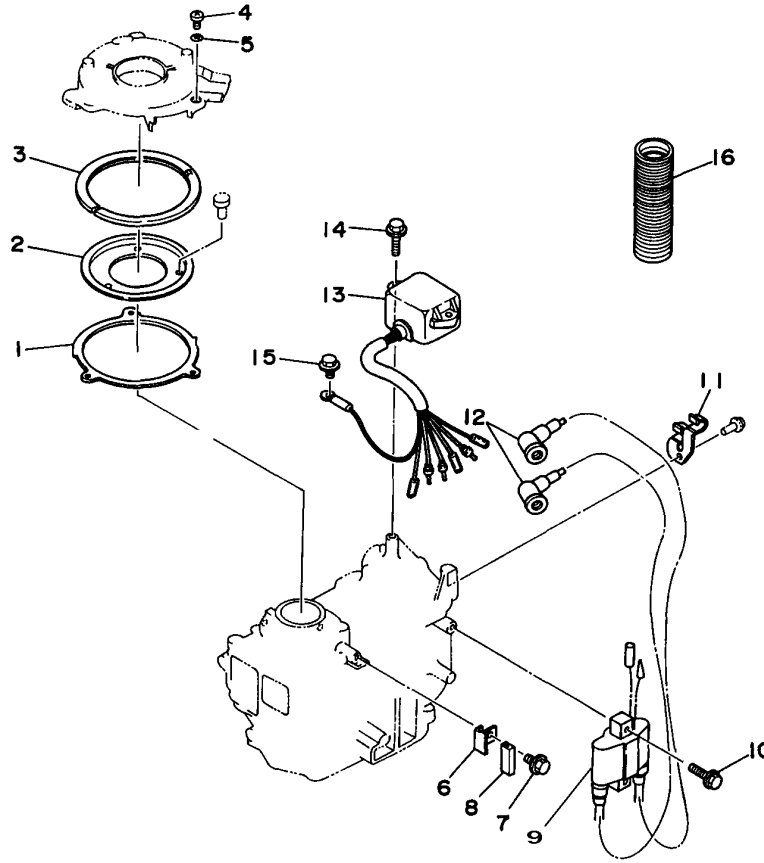


Part List

8MLHV 1997 / GENERATOR

| REF - NO | PART NUMBER | PART NAME | QUANTITY | REMARKS |
|----------------|-----------------|-----------------------------------|----------|---------|
| 1 | 6G1-85550-71-00 | ROTOR ASSEMBLY | 1 | UR M |
| 1 | 6G1-85550-A0-00 | ROTOR ASSY | 1 | UR E |
| 2 | 6G1-85560-F0-00 | BASE ASSY | 1 | |
| 3 | 6G1-85509-70-00 | .BASE, MAGNETO | 1 | |
| 4 | 6E7-85520-70-00 | .COIL, CHARGE | 1 | |
| 5 | 6E7-85580-70-00 | .COIL, PULSER | 1 | |
| 6 | 6E7-81303-A0-00 | .LIGHTING COIL ASSY | 1 | |
| 7 | 97802-05025-00 | ..SCREW, PAN HEAD | 2 | |
| 8 | 92990-05100-00 | ..WASHER, SPRING | 2 | |
| 9 | 97902-05116-00 | .SCREW, PAN HEAD (97802-05016-00) | 1 | |
| 10 | 97802-05020-00 | .SCREW, PAN HEAD | 2 | |
| 11 | 92990-05100-00 | .WASHER, SPRING | 3 | |
| 12 | 6G1-85548-70-00 | .HOLDER | 1 | |
| 13 | 98580-04008-00 | .SCREW, PAN HEAD | 1 | |
| 14 | 92990-04100-00 | .WASHER, SPRING | 1 | |
| 15 | 6G1-85515-70-00 | .LEAD WIRE ASSY | 1 | |
| 16 | 90386-44M42-00 | BUSH | 1 | |
| 17 | 90280-04M06-00 | KEY, WOODRUFF | 1 | |
| 18 | 90170-10113-00 | NUT | 1 | |
| 19 | 90201-102G9-00 | WASHER, PLATE | 1 | |

8MLHV 1997 / ELECTRICAL



6N0WW-7160

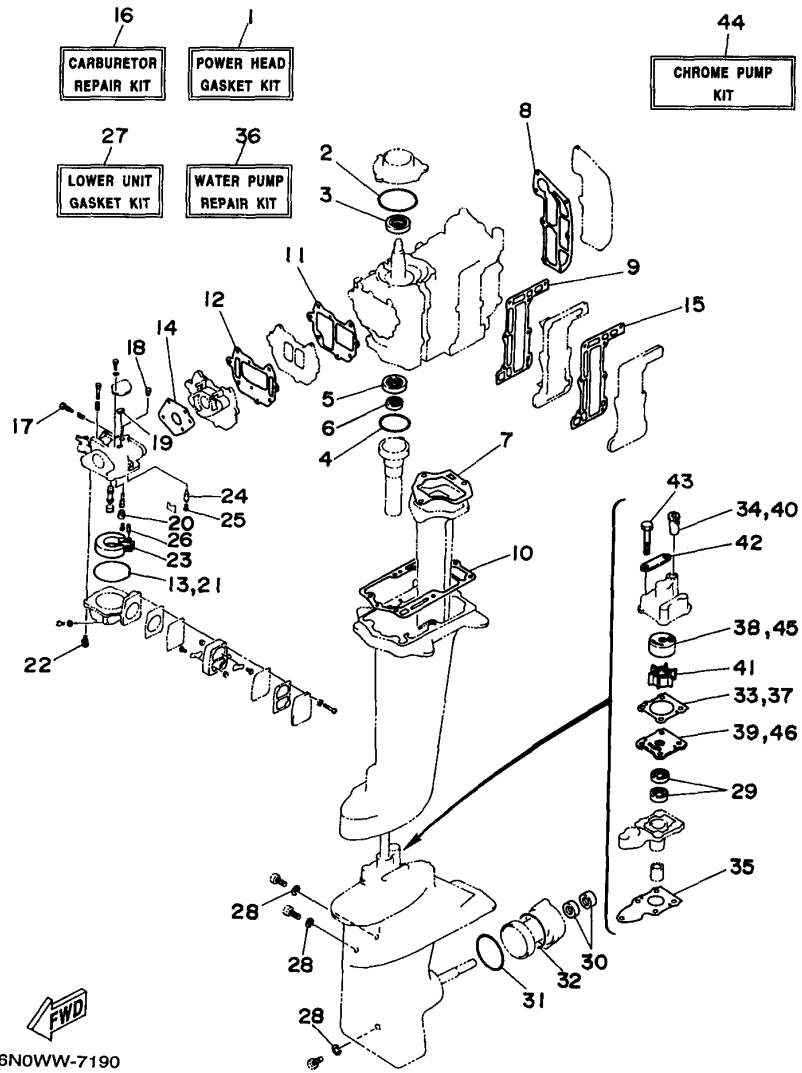
©2014 Yamaha Motor Corporation, U.S.A. All rights reserved.

Part List

8MLHV 1997 / ELECTRICAL

| REF - NO | PART NUMBER | PART NAME | QUANTITY | REMARKS |
|----------------|-----------------|------------------------|----------|---------|
| 1 | 6N0-G1611-00-00 | RETAINER, MAGNETO BASE | 1 | |
| 2 | 6G1-41612-00-00 | RETAINER, MAGNETO BASE | 1 | |
| 3 | 6N0-G1613-00-00 | PLATE, BASE FRICTION | 1 | |
| 4 | 97885-05010-00 | .SCREW, PAN HEAD | 3 | |
| 5 | 92995-05600-00 | WASHER | 3 | |
| 6 | 6G1-41615-00-00 | STOPPER, MAGNETO BASE | 1 | |
| 7 | 95895-06010-00 | BOLT, FLANGE | 1 | |
| 8 | 6G1-44194-00-00 | CAP | 1 | |
| 9 | 6G1-85570-01-00 | IGNITION COIL ASSY | 1 | |
| 10 | 95895-06025-00 | BOLT, FLANGE | 2 | |
| 11 | 90465-08M17-00 | CLAMP | 1 | |
| 12 | 663-82370-01-00 | PLUG CAP ASSY | 2 | |
| 13 | 696-85540-11-00 | C.D.I. UNIT ASSY | 1 | |
| 14 | 95895-06020-00 | BOLT, FLANGE | 2 | |
| 15 | 95895-06010-00 | BOLT, FLANGE | 1 | |
| 16 | 6G1-83557-00-00 | TUBE | 1 | |

8MLHV 1997 / REPAIR KIT 1



©2014 Yamaha Motor Corporation, U.S.A. All rights reserved.


Part List

8MLHV 1997 / REPAIR KIT 1

| REF - NO | PART NUMBER | PART NAME | QUANTITY | REMARKS |
|----------|-----------------|------------------------------|----------|----------|
| 1 | 6N0-W0001-A0-00 | POWER HEAD GASKET KIT | 1 | |
| 2 | 93210-54M54-00 | .O-RING | 1 | |
| 3 | 93102-20M25-00 | .OIL SEAL | 1 | |
| 4 | 93210-42159-00 | .O-RING | 1 | |
| 5 | 93101-20M29-00 | .OIL SEAL | 1 | |
| 6 | 93101-12M26-00 | .OIL SEAL | 1 | |
| 7 | 6G1-41133-A0-00 | .GASKET, EXHAUST MANIFOLD 1 | 1 | |
| 8 | 6G1-11193-A1-00 | .GASKET, HEAD COVER 1 | 1 | |
| 9 | 6G1-41112-A1-00 | .GASKET, EXHAUST INNER COVER | 1 | |
| 10 | 6G1-41113-A1-00 | .OUTER COVER, EXHAUST | 1 | |
| 11 | 6G1-13621-A1-00 | .GASKET, VALVE SEAT | 1 | |
| 12 | 6G1-13645-A1-00 | .GASKET, MANIFOLD 1 | 1 | |
| 13 | 6G1-14984-00-00 | .O-RING | 1 | |
| 14 | 6G1-14198-A1-00 | .GASKET | 1 | |
| 15 | 6G1-41114-A0-00 | .GASKET, EXHAUST OUTER COVER | 1 | |
| 16 | 6N0-W0093-00-00 | CARBURETOR REPAIR KIT | 1 | |
| 17 | 679-14923-00-00 | .SCREW, PILOT | 1 | |
| 18 | 6G1-14966-00-00 | .CAP | 1 | |
| 19 | 6G1-14126-00-00 | .GASKET | 1 | |
| 20 | 676-14966-00-00 | .CAP | 1 | |
| 21 | 6G1-14984-00-00 | .O-RING | 1 | |
| 22 | 97980-04114-00 | .SCREW, WITH WASHER | 4 | |
| 23 | 6G1-14985-00-00 | .FLOAT | 1 | |
| 24 | 6G1-14546-00-00 | .VALVE, NEEDLE | 1 | |
| 25 | 676-14186-00-00 | .PIN, FLOAT | 1 | |
| 26 | 688-14548-00-00 | .PIN, FLOAT ARM | 1 | |
| 27 | 6N0-W0001-C0-00 | LOWER UNIT GASKET KIT | 1 | |
| 28 | 90430-08020-00 | .GASKET | 3 | |
| 29 | 93101-11M23-00 | .OIL SEAL | 2 | |
| 30 | 93101-15074-00 | .OIL SEAL | 2 | |
| 31 | 93210-49046-00 | .O-RING | 1 | |
| 32 | 93210-53679-00 | .O-RING | 1 | |
| 33 | 6G1-44315-A0-00 | .GASKET, WATER PUMP | 1 | |
| 34 | 647-44366-00-00 | .DAMPER, WATER SEAL | 1 | |
| 35 | 6G1-45315-A0-00 | .PACKING, LOWER CASING | 1 | |
| 36 | 6N0-W0078-A0-00 | WATER PUMP REPAIR KIT | 1 | |
| 37 | 6G1-44315-A0-00 | .GASKET, WATER PUMP | 1 | |
| 38 | 6G1-44322-00-00 | .INSERT, CARTRIDGE | 1 | |
| 39 | 6G1-44323-00-00 | .OUTER PLATE, CARTRIDGE | 1 | |
| 40 | 647-44366-00-00 | .DAMPER, WATER SEAL | 1 | |
| 41 | 6G1-44352-00-00 | .IMPELLER | 1 | |
| 42 | 6G1-44328-00-00 | .PLATE | 2 | |
| 43 | 97095-06045-00 | .BOLT | 4 | |
| 44 | 6N0-W0078-0A-00 | CHROME PUMP KIT | 1 | |
| 45 | 6G1-44322-40-00 | .INSERT, CARTRIDGE | 1 | CHROMATE |
| 46 | 6G1-44323-40-00 | .OUTER PLATE, CARTRIDGE | 1 | CHROMATE |

Part Notes

8MLHV 1997 / REPAIR KIT 1

| PART NUMBER | NOTE TEXT |
|--|--|
| 90430-08020-00  | OEM: This part number is among the Top 100 Most Popular Marine Maintenance Parts as of March 2014. |

©2014 Yamaha Motor Corporation, U.S.A. All rights reserved.

©2014 Yamaha Motor Corporation, U.S.A. All rights reserved.