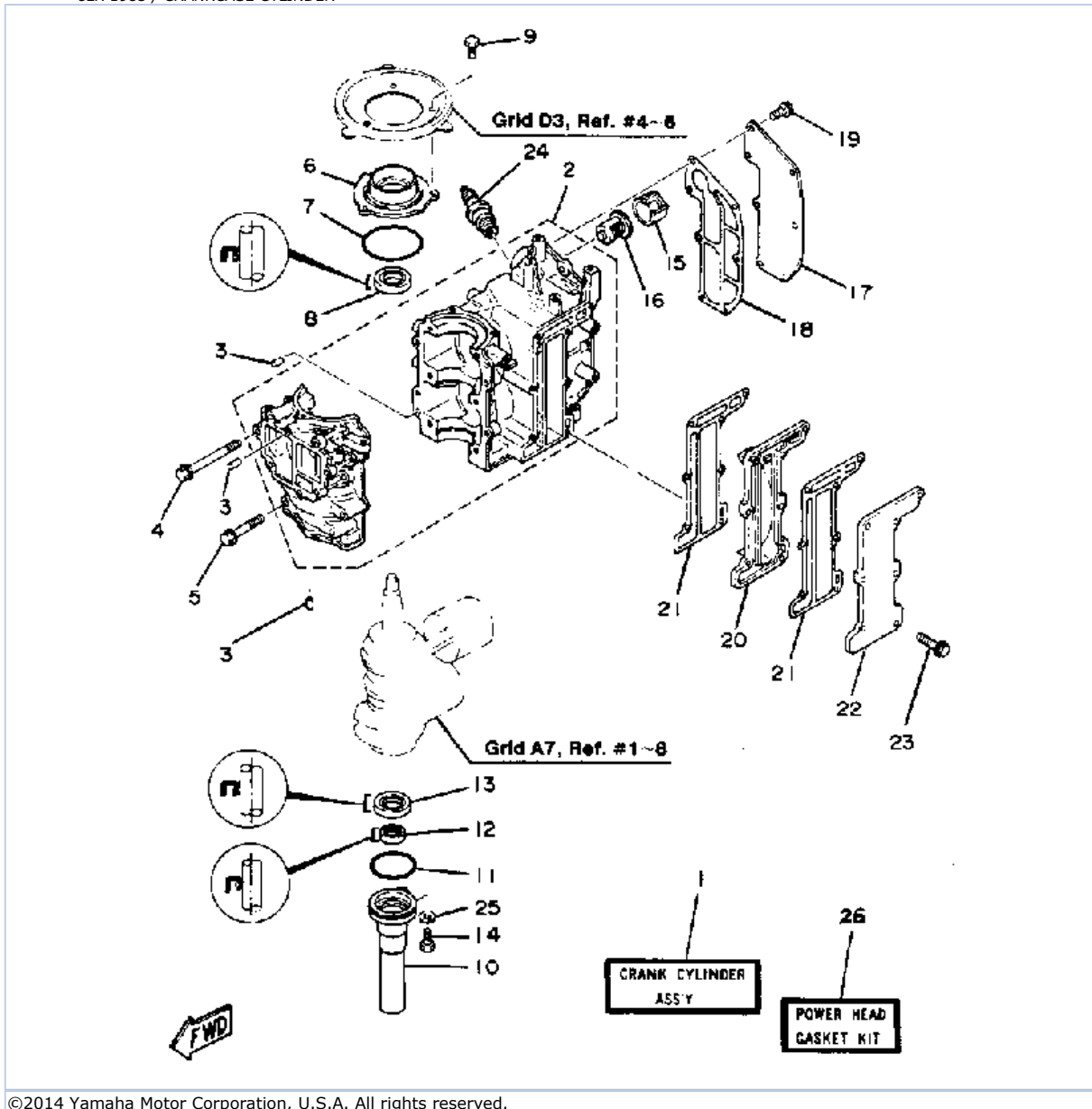


8LK 1985 / CRANKCASE CYLINDER



©2014 Yamaha Motor Corporation, U.S.A. All rights reserved.


Part List

8LK 1985 / CRANKCASE CYLINDER

REF - NO	PART NUMBER	PART NAME	QUANTITY	REMARKS
1	6G1-W0090-01-EK	CRANK CYLINDER ASSY	1	
2	6G1-15100-00-94	CRANKCASE ASSEMBLY	1	
3	93604-08062-00	PIN, DOWEL	4	
4	90105-06M26-00	BOLT, FLANGE	6	
5	90105-06M25-00	BOLT, FLANGE	4	
6	6G1-15359-01-94	HOUSING, OIL SEAL	1	
7	93210-54M54-00	O-RING	1	
8	93102-20M25-00	OIL SEAL	1	
9	97313-06016-00	BOLT, HEXAGON	3	
10	6G1-15396-01-5B	HOUSING, OIL SEAL	1	
11	93210-42159-00	.O-RING	1	
12	93102-20M25-00	OIL SEAL	1	
13	93101-11M23-00	.OIL SEAL	1	
14	97395-06016-00	BOLT, HEX	1	
15	90387-22M50-00	COLLAR	1	
16	677-12411-00-00	THERMOSTAT	1	
17	6G1-11191-01-9M	COVER, CYLINDER HEAD 1	1	
18	6G1-11193-A1-00	.GASKET, HEAD COVER 1	1	
19	90105-06M14-00	BOLT FLANGE	7	
20	6G1-41111-01-9M	INNER COVER, EXHAUST	1	
21	6G1-41112-A1-00	.GASKET, EXHAUST INNER COVER	2	
22	6G1-41113-01-9M	OUTER COVER, EXHAUST	1	
23	95895-06025-00	BOLT, FLANGE	7	
24	NGK-B7HS1-00-00	PLUG, SPARK (NGK B7HS- 10)	2	
25	92990-06600-00	WASHER, PLATE	1	
26	6G1-W0001-02-00	POWER HEAD GASKET KIT	1	SEE NOTE

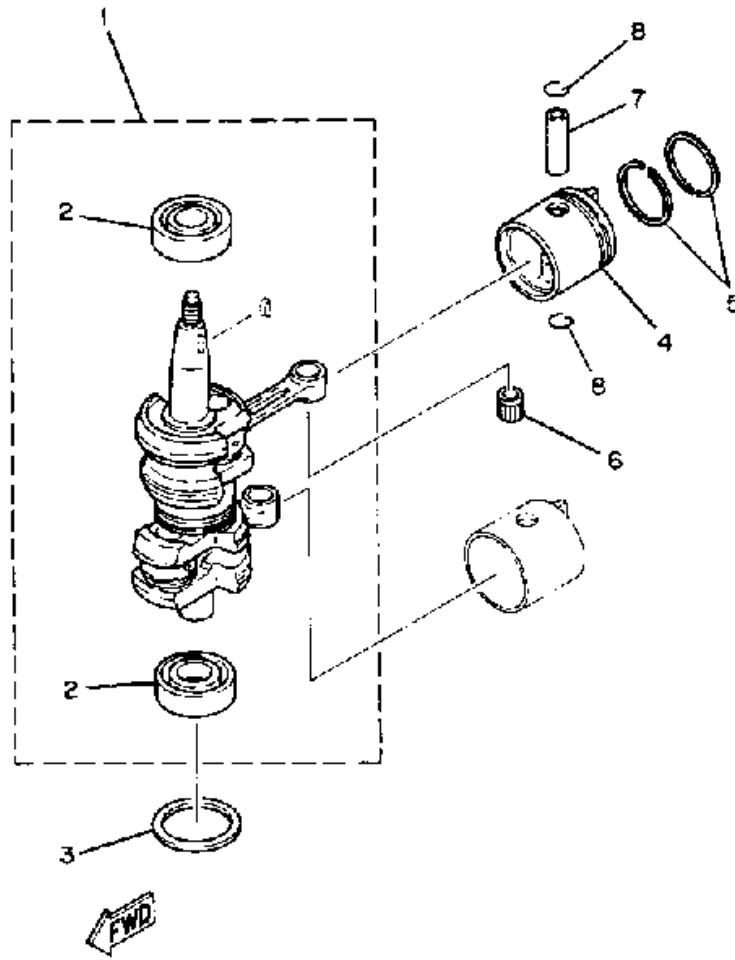
Part Notes

8LK 1985 / CRANKCASE CYLINDER

PART NUMBER	NOTE TEXT
92990-06600-00 	OEM: This part number is among the Top 100 Most Popular Marine Maintenance Parts as of March 2014.

©2014 Yamaha Motor Corporation, U.S.A. All rights reserved.

8LK 1985 / CRANK PISTON



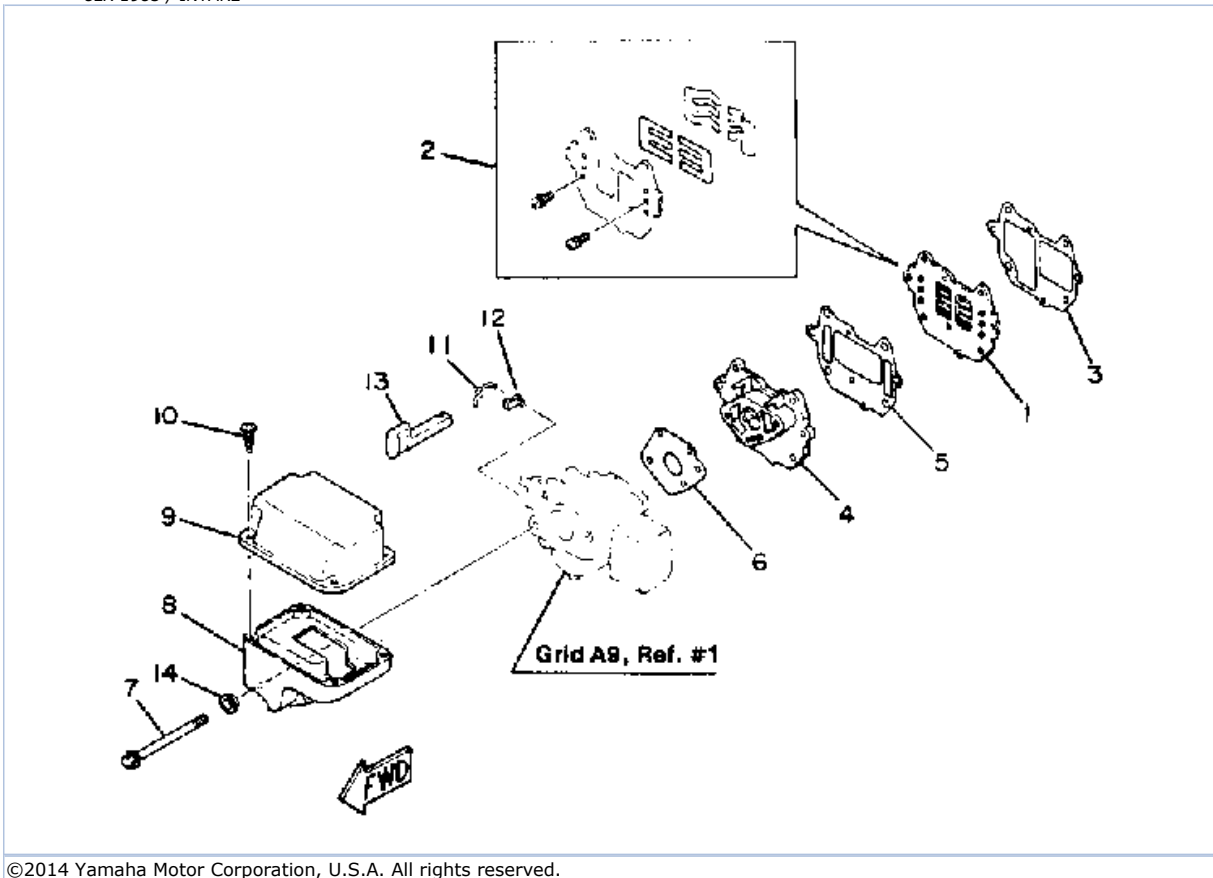
©2014 Yamaha Motor Corporation, U.S.A. All rights reserved.

Part List

8LK 1985 / CRANK PISTON

REF - NO	PART NUMBER	PART NAME	QUANTITY	REMARKS
1	6G1-11400-00-00	CRANKSHAFT ASSEMBLY	1	
2	93306-204U0-00	.BEARING	2	
3	90201-41528-00	WASHER, PLATE (90201-41303-00)	1	
4	6G1-11631-00-98	PISTON (STD)	2	
5	6G1-11610-00-00	PISTON RINGSET (STD)	2	
6	93310-112V0-00	BEARING	2	
7	6G1-11633-00-00	PIN, PISTON	2	
8	93450-13022-00	CIRCLIP	4	

8LK 1985 / INTAKE



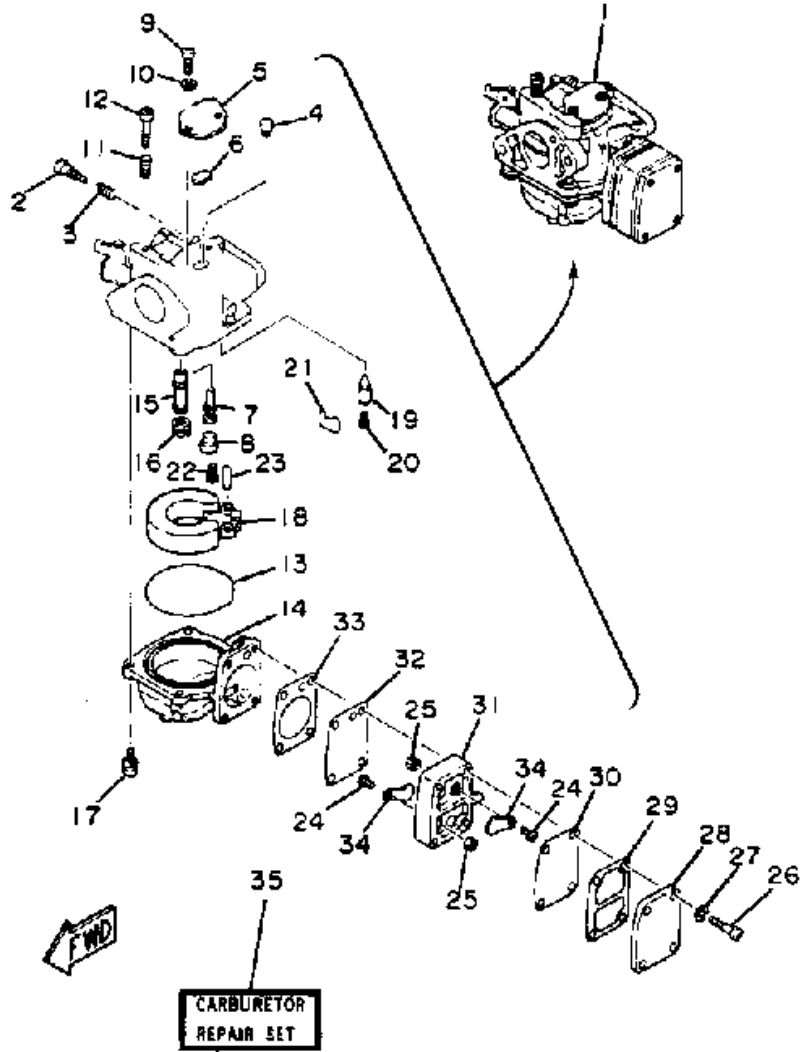
©2014 Yamaha Motor Corporation, U.S.A. All rights reserved.

Part List

8LK 1985 / INTAKE

REF - NO	PART NUMBER	PART NAME	QUANTITY	REMARKS
1	6G1-13610-01-00	REED VALVE ASSY	1	
2	6G1-W0004-00-00	.REED SET	1	
3	6G1-13621-00-00	GASKET, VALVE SEAT	1	
4	6G1-13641-00-94	MANIFOLD 1	1	
5	6G1-13645-00-00	GASKET, MANIFOLD 1	1	
6	6G1-14198-A1-00	GASKET	1	
7	90105-06M27-00	BOLT, WASHER BASED	2	
8	6G1-14417-00-00	COVER 1	1	
9	6G1-14418-00-00	COVER 2	1	
10	97780-50514-00	SCREW, TAPPING	4	
11	6G1-41256-00-00	ROD, CHOKE 1	1	
12	661-41262-02-00	JOINT, CHOKE LEVER	1	
13	6G1-41271-00-00	KNOB, CHOKE	1	
14	90387-06M70-00	COLLAR	2	

8LK 1985 / CARBURETOR



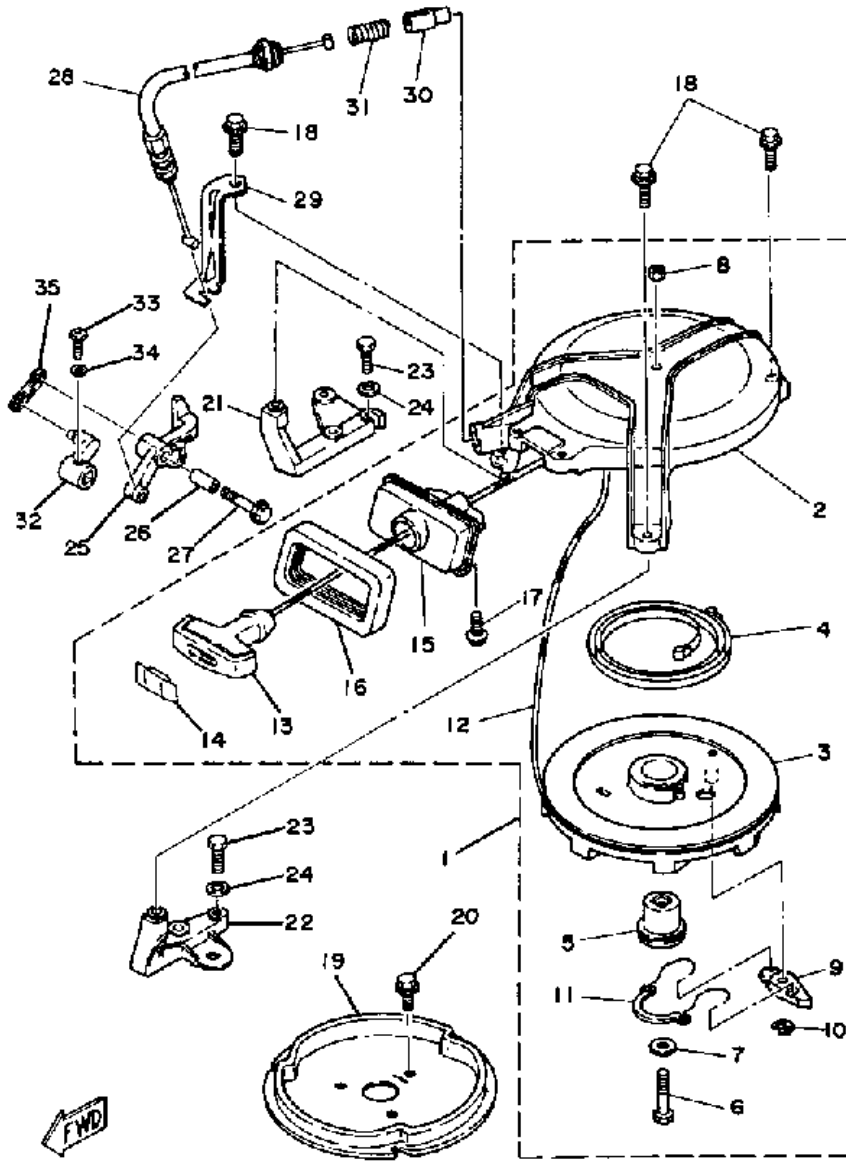
©2014 Yamaha Motor Corporation, U.S.A. All rights reserved.

Part List

8LK 1985 / CARBURETOR

REF - NO	PART NUMBER	PART NAME	QUANTITY	REMARKS
1	6G1-14301-01-00	CARBURETOR ASSY 1	1	
2	679-14923-00-00	.SCREW, PILOT	1	
3	679-14555-00-00	.SPRING	1	
4	6G1-14966-00-00	.CAP	1	
5	6G1-14527-00-00	.PLATE	1	
6	6G1-14126-00-00	.GASKET	1	
7	6G1-14948-05-00	.JET (#45)	1	
8	676-14966-00-00	CAP	1	
9	(97803-04010-00)	SCREW, PAN HEAD	2	
10	92901-04100-00	.WASHER, SPRING	2	
11	90501-10326-00	.SPRING, COMPRESSION	1	
12	663-14523-00-00	.SCREW, STOP	1	
13	6G1-14984-00-00	.O-RING	1	
14	6G1-14980-01-00	.BODY, FLOAT CHAMBER	1	
15	6G1-14947-00-00	.JET, NEEDLE	1	
16	676-14943-26-00	.JET, MAIN (#98)	1	
17	97980-04114-00	.SCREW, WITH WASHER	4	
18	6G1-14985-00-00	.FLOAT	1	
19	6G1-14546-00-00	.VALVE, NEEDLE	1	
20	676-14186-00-00	.PIN, FLOAT	1	
21	663-14159-00-00	.CLIP	1	
22	98580-04008-00	.SCREW, PAN HEAD	1	
23	688-14548-00-00	.PIN, FLOAT ARM	1	
24	98902-03006-00	.SCREW, BIND	2	
25	90179-03478-00	.NUT, SPECIAL SHAPE 0 2	2	
26	97803-04025-00	.SCREW, PAN HEAD	4	
27	92901-04100-00	.WASHER, SPRING	4	
28	6G1-24452-00-00	.COVER	1	
29	6G1-24432-00-00	.GASKET, FUEL PUMP 2	1	
30	6G1-24471-00-00	.DIAPHRAGM	1	
31	6G1-24412-00-00	.BODY 1	1	
32	6G1-24411-00-00	.DIAPHRAGM	1	
33	6G1-24431-00-00	.GASKET, FUEL PUMP 1	1	
34	6G1-24421-00-00	.VALVE, CHECK	2	
35	6G1-W0093-00-00	CARBURETOR REPAIR KIT	1	SEE NOTE

8LK 1985 / MANUAL STARTER (8SK 8LK)



©2014 Yamaha Motor Corporation, U.S.A. All rights reserved.


Part List

8LK 1985 / MANUAL STARTER (8SK 8LK)

REF - NO	PART NUMBER	PART NAME	QUANTITY	REMARKS
1	6G1-15710-81-00	STARTER ASSEMBLY	1	
2	6G1-15711-80-94	.CASE, STARTER	1	
3	6G1-15714-00-00	.DRUM, SHEAVE	1	
4	90510-08M03-00	.SPRING, SPIRAL	1	
5	6G1-15717-00-00	.SHAFT, STARTER	1	
6	97013-06035-00	.BOLT	1	
7	90201-06M30-00	.WASHER, PLATE	1	
8	95380-06600-00	.NUT, HEXAGON	1	
9	677-15741-01-00	.PAWL, DRIVE	1	
10	93430-06M02-00	.CIRCLIP	1	
11	6G1-15705-00-00	.SPRING, DRIVE PAWL	1	
12	90580-50M01-00	.ROPE, STARTER	1	
13	6G1-15755-00-00	.HANDLE, STARTER	1	
14	689-15779-01-00	.COVER	1	
15	6G1-15758-00-00	.GUIDE, ROPE	1	
16	6G1-15762-00-00	.SEAL, RUBBER 2	1	
17	90105-06M14-00	.BOLT FLANGE	2	
18	90105-06M15-00	BOLT, FLANGE	3	
19	6G1-15723-00-94	PULLEY, STARTER	1	
20	90105-06M29-00	BOLT, FLANGE	3	
21	6G1-15771-00-94	STAY 1	1	
22	6G1-15772-00-94	STAY 2	1	
23	97313-06020-00	BOLT, HEXAGON	4	
24	92990-06600-00	WASHER, PLATE	4	
25	6G1-15746-10-00	ARM	1	
26	6G1-15764-00-00	COLLAR 1	1	
27	90105-06M24-00	BOLT, FLANGE	1	
28	6G1-15770-81-00	CABLE COMP., STARTER STOP	1	
29	6G1-15774-81-00	STAY 4	1	
30	656-15748-00-00	PLUNGER, STARTER STOP	1	
31	90501-10227-00	SPRING, COMPRESSION	1	
32	6G1-44125-80-00	LEVER, SHIFT ROD	1	
33	98580-05016-00	SCREW, PAN HEAD	1	
34	92990-05600-00	WASHER, PLATE	1	
35	6G1-15747-80-00	LINK	1	

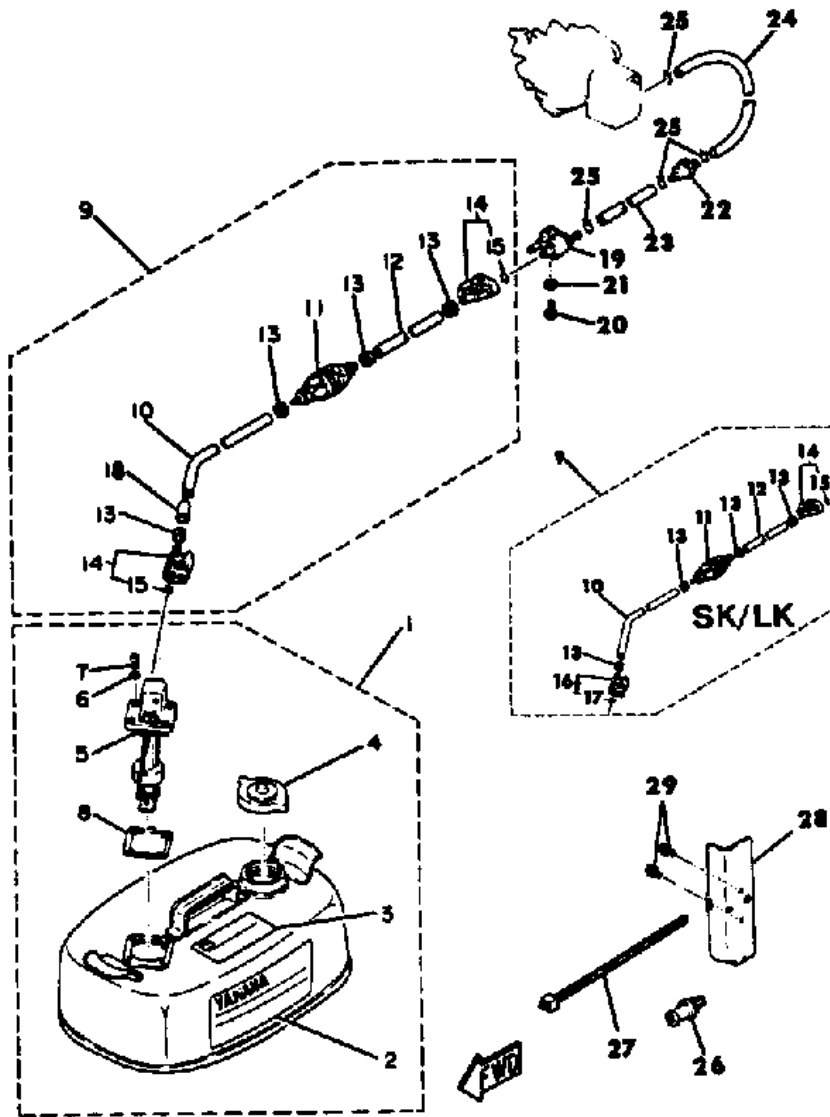
Part Notes

8LK 1985 / MANUAL STARTER (8SK 8LK)

PART NUMBER	NOTE TEXT
92990-06600-00 	OEM: This part number is among the Top 100 Most Popular Marine Maintenance Parts as of March 2014.

©2014 Yamaha Motor Corporation, U.S.A. All rights reserved.

8LK 1985 / FUEL TANK



©2014 Yamaha Motor Corporation, U.S.A. All rights reserved.



Part List

8LK 1985 / FUEL TANK

REF - NO	PART NUMBER	PART NAME	QUANTITY	REMARKS
1	6Y4-24203-41-24	FUEL TANK ASSEMBLY	1	
2	6Y4-24244-50-00	.GRAPHIC, FUEL TNK 1	1	
3	6Y1-24255-40-00	.GRAPHIC, FUEL TNK 8	1	
4	6Y1-24610-00-00	.CAP ASSEMBLY	1	
5	6Y4-24260-01-00	.FUEL METER ASSEMBLY	1	
6	6Y1-24329-00-00	.SEAL	4	
7	98586-05016-00	.SCREW, PAN HEAD	4	
8	6Y1-24268-00-00	.GASKET, FUEL METER	1	
9	6Y1-24306-51-00	FUEL PIPE COMP. 1	1	
10	90445-11M80-00	.HOSE	1	
11	6Y1-24360-51-00	.PRIMER PUMP ASSY	1	
12	(90445-11M78-00)	HOSE	1	
13	650-24351-51-00	.BAND 1	4	
14	6G1-24305-01-00	.FUEL PIPE JOINT COMP 2	1	
14	6G1-24305-01-00	.FUEL PIPE JOINT COMP 2	2	
15	93210-08287-00	..O-RING	2	
15	93210-08287-00	..O-RING	1	
16	6Y1-24305-02-00	.FUEL PIPE JOINT COMP 2	1	
17	93210-08287-00	..O-RING	1	
18	6Y1-24397-40-00	.COLLAR	1	
19	6G1-24304-02-00	FUEL PIPE JOINT COMP. 1	1	
20	97313-06025-00	BOLT	1	
21	92990-06600-00	WASHER, PLATE	1	
22	646-24251-02-00	.STRAINER 1	1	
23	90445-09094-00	HOSE (L210)	1	
24	90445-09220-00	HOSE (L30)	1	
25	90467-08004-00	CLIP	4	
26	ABB-FLUSH-JD-00	JET DRIVE FLUSH	1	
27	90464-14117-00	CLAMP	1	
28	6G1-28170-00-00	TOOL, HOLDER	1	
29	90105-06M23-00	.BOLT FLANGE	2	

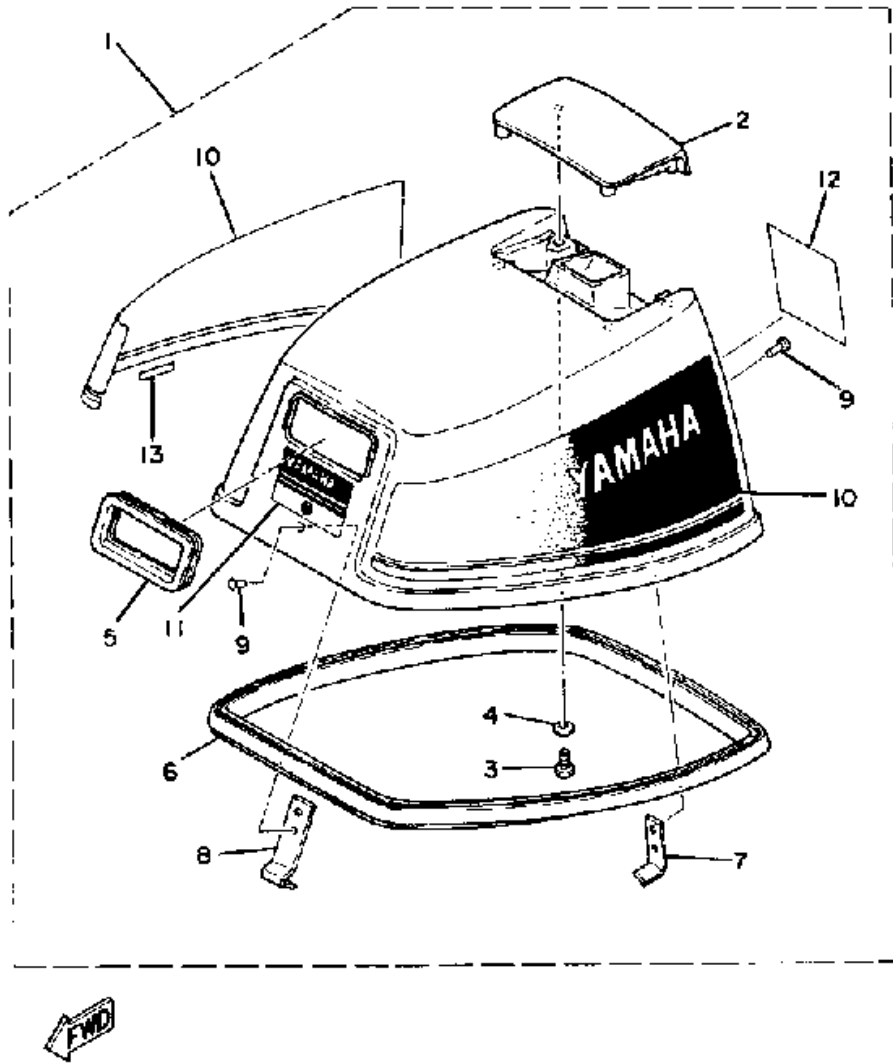
Part Notes

8LK 1985 / FUEL TANK

PART NUMBER		NOTE TEXT
92990-06600-00		OEM: This part number is among the Top 100 Most Popular Marine Maintenance Parts as of March 2014.
646-24251-02-00		OEM: This part number is among the Top 100 Most Popular Marine Maintenance Parts as of March 2014.

©2014 Yamaha Motor Corporation, U.S.A. All rights reserved.

8LK 1985 / TOP COWLING



©2014 Yamaha Motor Corporation, U.S.A. All rights reserved.


Part List

8LK 1985 / TOP COWLING

REF - NO	PART NUMBER	PART NAME	QUANTITY	REMARKS
1	6G1-42610-13-EK	TOP COWLING ASSEMBLY	1	
2	6G1-42613-00-EK	.MOLDING, AIR DUCT	1	
3	97013-06012-00	.BOLT	4	
4	92990-06600-00	.WASHER, PLATE	4	
5	6G1-15761-00-00	.SEAL, RUBBER 1	1	
6	6G1-42615-00-00	.SEAL	1	
7	6G1-42647-00-00	.HOLDER, CLAMP BAND	1	
8	6G1-42651-02-00	.HOOK	1	
9	90266-04M00-00	.RIVET	4	
10	6G1-W0070-23-00	.GRAPHIC SET	1	
11	6G1-42677-01-00	.GRAPHIC, FRONT	1	
12	6G1-42678-10-00	.GRAPHIC, REAR	1	
13	6E0-44191-10-00	.INDICATOR, SHIFT	1	

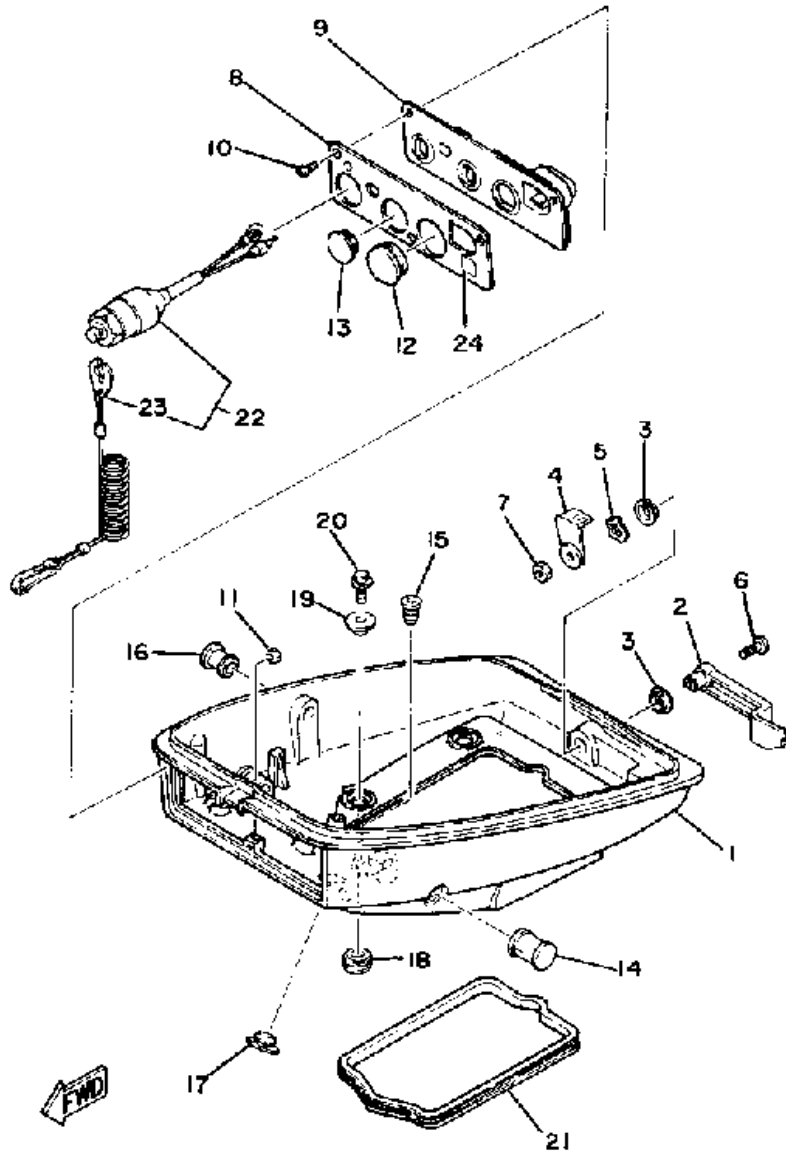
Part Notes

8LK 1985 / TOP COWLING

PART NUMBER	NOTE TEXT
92990-06600-00 	OEM: This part number is among the Top 100 Most Popular Marine Maintenance Parts as of March 2014.

©2014 Yamaha Motor Corporation, U.S.A. All rights reserved.

8LK 1985 / BOTTOM COWLING



©2014 Yamaha Motor Corporation, U.S.A. All rights reserved.


Part List

8LK 1985 / BOTTOM COWLING

REF - NO	PART NUMBER	PART NAME	QUANTITY	REMARKS
1	6G1-42711-01-EK	BOTTOM COWLING	1	
2	6G1-42815-00-EK	LEVER, CLAMP 1	1	
3	90386-12M45-00	BUSH	2	
4	6E0-42816-00-00	LEVER, CLAMP	1	
5	90206-12052-00	WASHER, WAVE	1	
6	98580-06030-00	.SCREW, PAN HEAD	1	
7	95380-06700-00	NUT	1	
8	6G1-42719-81-00	PANEL, FRONT LOWER	1	
9	6G1-42767-00-00	BRACKET	1	
10	90149-05M02-00	SCREW	3	
11	95380-05600-00	NUT	1	
12	6G1-42724-00-00	GROMMET	1	
13	6G1-42725-00-00	GROMMET	1	
14	6G1-42726-00-00	GROMMET	1	
15	6G1-42727-00-00	GROMMET	1	
16	6G1-42748-00-00	GROMMET	1	
17	6G1-26326-00-00	GROMMET	1	
18	90480-15M31-00	GROMMET	4	
19	90387-06M52-00	COLLAR	4	
20	90105-06M15-00	BOLT, FLANGE	4	
21	6G1-42716-00-00	RUBBER, SEAL 1	1	
22	6E9-82575-01-00	ENGINE STOP SWITCH ASSEMBLY	1	
23	682-82556-00-00	.LANYARD, STOP SWITCH	1	
24	(6A1-42792-00-00)	MARK 2	1	

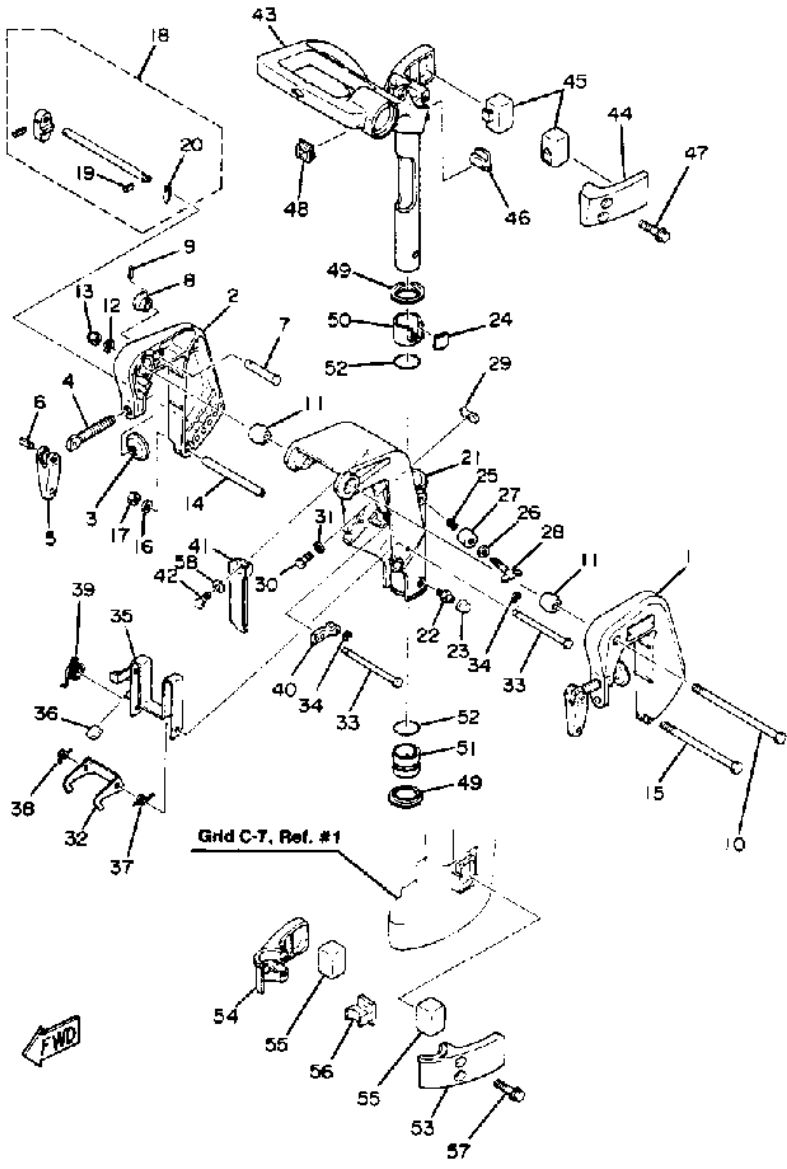
Part Notes

8LK 1985 / BOTTOM COWLING

PART NUMBER	NOTE TEXT
682-82556-00-00 	OEM: This part number is among the Top 100 Most Popular Marine Maintenance Parts as of March 2014.

©2014 Yamaha Motor Corporation, U.S.A. All rights reserved.

8LK 1985 / BRACKET



©2014 Yamaha Motor Corporation, U.S.A. All rights reserved.

Part List



8LK 1985 / BRACKET

REF - NO	PART NUMBER	PART NAME	QUANTITY	REMARKS
1	99999-01765-00	BRACKET, CLAMP (6G1)	1	
2	6G1-43112-09-EK	BRACKET, CLAMP	1	
3	648-43114-01-00	PAD, TRANSOM CLAMP	2	
4	6G1-43116-02-00	SCREW, TRANSOM CLAMP	2	
5	6E0-43118-00-00	HANDLE, TRANSOM CLP	2	
6	90254-04M00-00	PIN, SPRING TYPE	2	
7	689-43191-00-00	SHAFT, STOPPER	1	
8	689-43192-01-00	KNOB, STOPPER	1	
9	91690-30016-00	PIN, SPRING	1	
10	90101-08M73-00	BOLT	1	
11	6G8-43136-00-00	PIECE, FRICTION	2	
12	92990-08600-00	..WASHER, PLATE	1	
13	95780-08300-00	..NUT, FLANGE	1	
14	90387-06M13-00	COLLAR	1	
15	97395-06135-00	BOLT, HEXAGON	1	
16	92990-06600-00	WASHER, PLATE	1	
17	95380-06600-00	NUT, HEXAGON	1	
18	6G1-43160-00-00	TILT ROD ASSEMBLY	1	
19	91690-30008-00	.PIN, SPRING	1	
20	689-43165-00-00	.PLATE, TILT LOCK	1	
21	6G1-43311-13-EK	BRACKET, SWIVEL 1	1	
22	93700-06M03-00	NIPPLE, GREASE	1	
23	663-45119-00-00	CAP, GREASE NIPPLE	1	
24	6G1-42528-00-00	PLATE, FRICTION	1	
25	90501-18M00-00	SPRING, COMPRESSION	1	
26	92990-08600-00	..WASHER, PLATE	1	
27	6G1-43373-00-00	SEAL, DAMPER	1	
28	6G1-42529-00-00	SCREW, FRICTION PIECE	1	
29	6G1-44532-00-00	STOPPER, UPPER MOUNT	1	
30	97395-06010-00	BOLT	1	
31	92990-06600-00	WASHER, PLATE	1	
32	6G1-43614-00-00	PLATE, TILT LOCK	1	
33	6G1-43659-00-00	SHAFT, REVERSE LOCK	2	
34	93430-05027-00	CIRCLIP	2	
35	6G1-43681-00-00	LEVER, SHALLOW WATER DRIVE 1	1	
36	6G1-43318-01-00	COVER	1	
37	90508-10M15-00	SPRING, TORSION	1	
38	90508-10M16-00	SPRING, TORSION	1	
39	90508-14M17-00	SPRING, TORSION	1	
40	6G1-43615-01-00	PLATE, TILT LOCK	1	
41	6G1-42731-00-36	CARRYING, HANDLE	1	
42	97395-08016-00	BOLT	1	
43	6G1-42511-01-EK	BRACKET, STEERING	1	
44	6G1-44511-00-EK	COVER, UPPER MT.	1	
45	6G1-44514-00-00	MOUNT DAMPER, UPPER SIDE	2	
46	6G1-44516-00-00	MOUNT DAMPER, UPPER FRONT	1	
47	95895-06035-00	BOLT, FLANGE	2	
48	6G1-42551-00-00	GROMMET	1	
49	6G1-42535-00-00	WASHER, THRUST	2	
50	6G1-42537-00-00	BUSHING, PIVOT SHAFT	1	
51	6G1-42538-00-00	BUSHING, PIVOT SHFT 2	1	
52	93210-30M31-00	O-RING	2	
53	6G1-44511-00-EK	COVER, UPPER MT.	1	
54	6G1-44552-02-EK	HOUSING, LWR MOUNT RUBBER	1	
55	6G1-44555-A0-00	MOUNT DAMPER, LOWER SIDE	2	
56	6G1-44557-00-00	MOUNT DAMPER, LOWER FRONT	1	

57	95895-06035-00	BOLT, FLANGE	2	
58	92990-08600-00	..WASHER, PLATE	1	

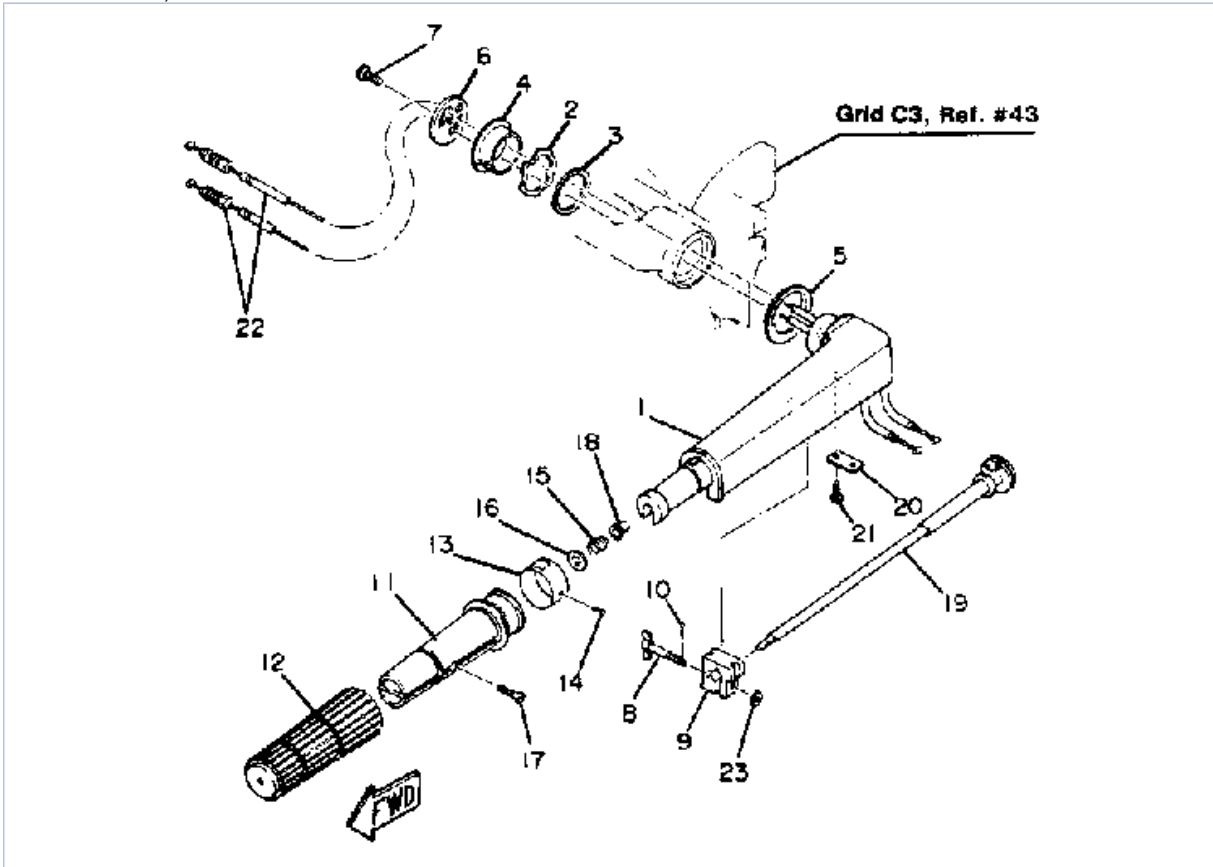
Part Notes

8LK 1985 / BRACKET

PART NUMBER		NOTE TEXT
92990-06600-00		OEM: This part number is among the Top 100 Most Popular Marine Maintenance Parts as of March 2014.
92990-06600-00		OEM: This part number is among the Top 100 Most Popular Marine Maintenance Parts as of March 2014.

©2014 Yamaha Motor Corporation, U.S.A. All rights reserved.

8LK 1985 / STEERING



©2014 Yamaha Motor Corporation, U.S.A. All rights reserved.


Part List

8LK 1985 / STEERING

REF - NO	PART NUMBER	PART NAME	QUANTITY	REMARKS
1	6G1-42111-03-EK	HANDLE, STEERING	1	
1	6G1-42111-00-EK	HANDLE, STEERING (SN)	1	
2	90206-35M20-00	WASHER, WAVE	1	
3	90202-35M24-00	WASHER, PLATE	1	
4	90386-34M40-00	BUSH	1	
5	90386-43M55-00	BUSHING	1	
5	90386-43M55-00	BUSHING	1	
6	6G1-42131-01-00	COVER, HANDLE STEERING	1	
7	97395-06016-00	BOLT, HEX	1	
8	6G1-42125-00-00	BOLT, FRICTION ADJUSTING.	1	
9	6G1-42126-00-00	FRICTION, STEERING HANDLE GRIP	1	
10	91490-12012-00	PIN. COTTER	1	
11	664-42119-00-00	GRIP, STEERING HANDLE	1	
12	6G1-42177-00-00	RUBBER, HANDLE	1	
13	6G1-42137-10-00	INDICATOR, THROTTLE	1	
14	90269-02M09-00	RIVET	1	
15	90501-23215-00	SPRING, COMPRESSION	1	
16	92990-10600-00	WASHER, PLATE	1	
17	98680-05525-00	SCREW.OVAL HEAD	1	
18	90386-08032-00	BUSH	1	
19	6G1-42138-01-00	LEVER, THROTTLE	1	
20	6E0-42159-02-00	STAY	1	
21	98580-05012-00	.SCREW, PAN HEAD	2	
22	6G1-26301-02-00	THROTTLE CABLE ASSEMBLY	1	
23	90202-05088-00	WASHER, PLATE	1	

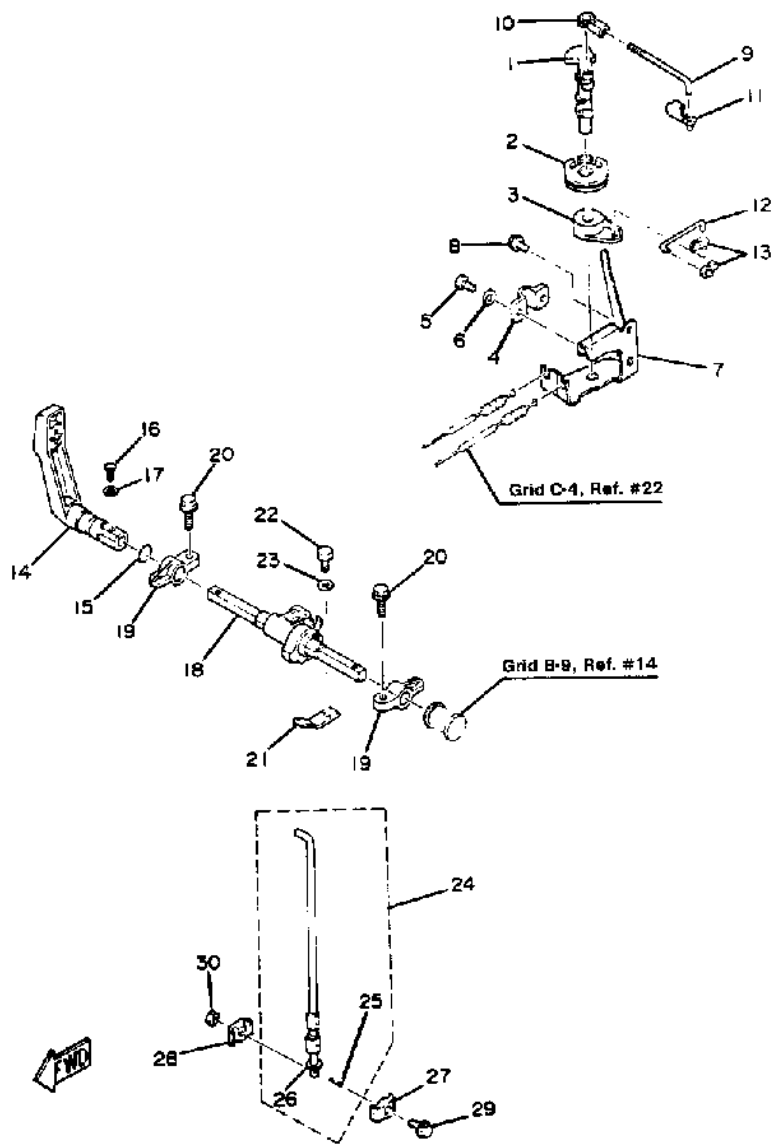
Part Notes

8LK 1985 / STEERING

PART NUMBER	NOTE TEXT
92990-10600-00 	OEM: This part number is among the Top 100 Most Popular Marine Maintenance Parts as of March 2014.

©2014 Yamaha Motor Corporation, U.S.A. All rights reserved.

8LK 1985 / CONTROL ENGINE



©2014 Yamaha Motor Corporation, U.S.A. All rights reserved.



Part List

8LK 1985 / CONTROL ENGINE

REF - NO	PART NUMBER	PART NAME	QUANTITY	REMARKS
1	6G1-41631-00-00	LEVER, MAGNETO CONTROL	1	
2	6G1-41638-00-00	PULLEY	1	
3	6G1-41283-01-00	LEVER, FREE ACCEL.	1	
4	6G1-41661-00-00	BRACKET 1	1	
5	98580-05010-00	.SCREW, PAN HEAD	2	
6	92990-05600-00	WASHER, PLATE	2	
7	6G1-14497-00-00	STAY, THROTTLE WIRE	1	
7	6G1-14497-80-00	STAY, THROTTLE WIRE	1	
8	90105-06M23-00	.BOLT FLANGE	2	
9	6G1-41238-00-00	JOINT, LINK	1	
10	6H1-41237-00-00	JOINT, LINK	1	
11	6R5-41237-00-00	JOINT, LINK	1	
12	6G1-41211-00-00	LINK, ACCEL.	1	
13	661-41262-02-00	JOINT, CHOKE LEVER	2	
14	6G1-44111-00-00	HANDLE, GEAR SHIFT	1	
15	93210-12790-00	O-RING	1	
16	98580-05016-00	SCREW, PAN HEAD	1	
17	92990-05600-00	WASHER, PLATE	1	
18	6G1-44121-01-00	LEVER, SHIFT ROD	1	
19	6G1-41662-00-00	BRACKET 2	2	
20	90105-06M14-00	BOLT FLANGE	2	
21	6G1-44116-01-00	SPRING	1	
22	97395-06012-00	BOLT	1	
23	92990-06600-00	WASHER, PLATE	1	
24	6G1-44110-00-00	SHIFT ROD ASSEMBLY	1	
25	91690-20010-00	.PIN, SPRING	1	
26	92990-05600-00	.WASHER, PLATE	1	
27	6G1-44145-00-00	CONNECTOR, SHIFT ROD	1	
28	6G1-44146-00-00	CONNECTOR, SHIFT ROD	1	
29	90109-06M17-00	BOLT	1	
30	95380-06600-00	NUT, HEXAGON	1	

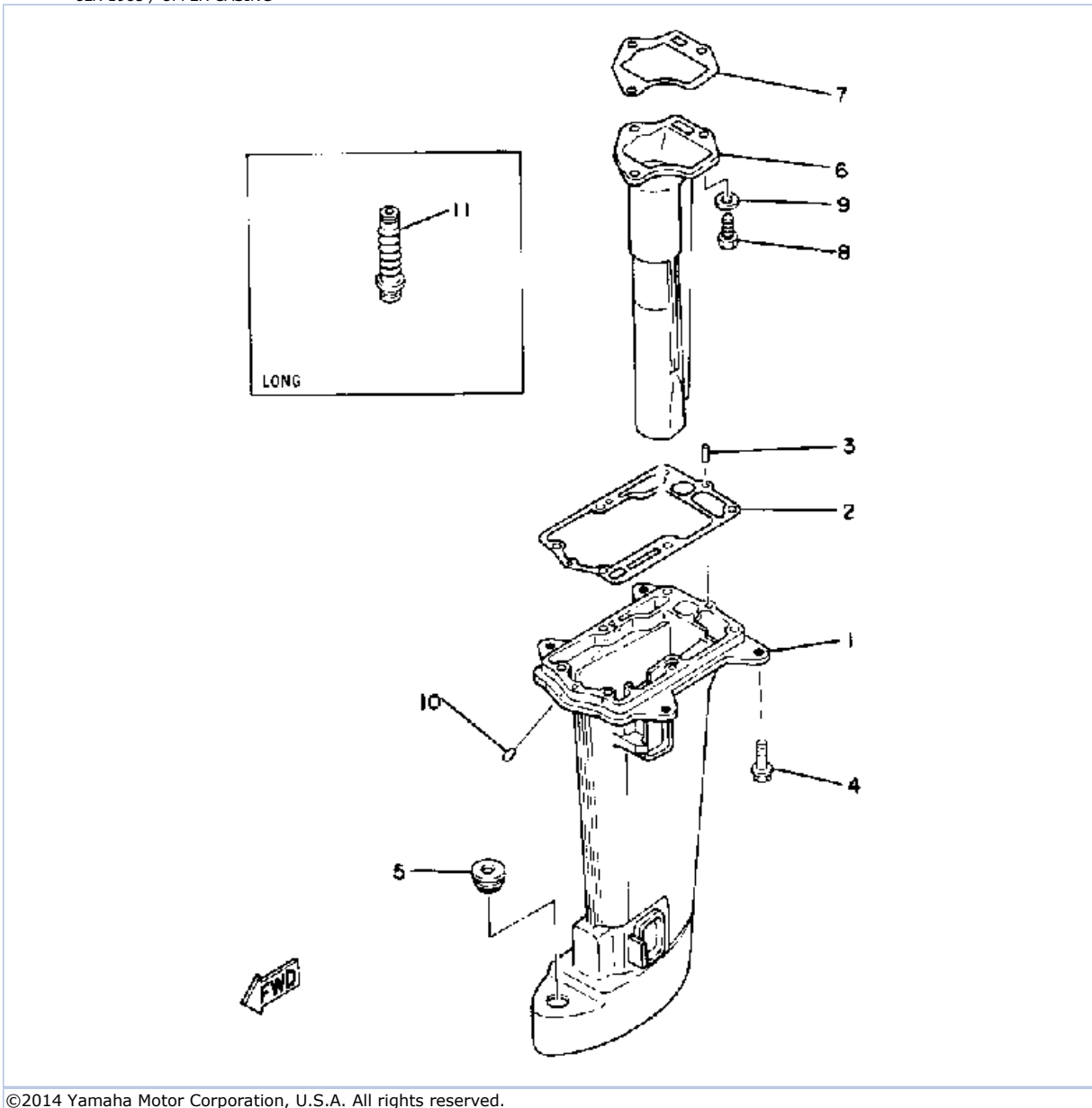
Part Notes

8LK 1985 / CONTROL ENGINE

PART NUMBER		NOTE TEXT
6H1-41237-00-00		OEM: This part number is among the Top 100 Most Popular Marine Maintenance Parts as of March 2014.
92990-06600-00		OEM: This part number is among the Top 100 Most Popular Marine Maintenance Parts as of March 2014.

©2014 Yamaha Motor Corporation, U.S.A. All rights reserved.

8LK 1985 / UPPER CASING



©2014 Yamaha Motor Corporation, U.S.A. All rights reserved.


Part List

8LK 1985 / UPPER CASING

REF - NO	PART NUMBER	PART NAME	QUANTITY	REMARKS
1	6G1-45111-01-EK	CASING, UPPER	1	U.R. SHORT
1	6G1-45111-11-EK	CASING, UPPER	1	U.R. LONG (NOT SHOWN)
2	6G1-45113-A1-00	GASKET, UPPER CASING	1	
3	93604-08062-00	PIN, DOWEL	2	
4	95895-06030-00	BOLT, FLANGE	6	
5	90480-20M29-00	GROMMET	1	
6	6G1-41131-00-5B	MANIFOLD, EXT. 1	1	
7	6G1-41133-00-00	GASKET, EXH MANI 1	1	
8	97395-06020-00	BOLT, HEXAGON	3	
9	92990-06600-00	WASHER, PLATE	3	
10	6G1-45135-00-00	PIPE	1	LONG
11	6G1-44147-00-00	.BOOT, SHIFT ROD	1	

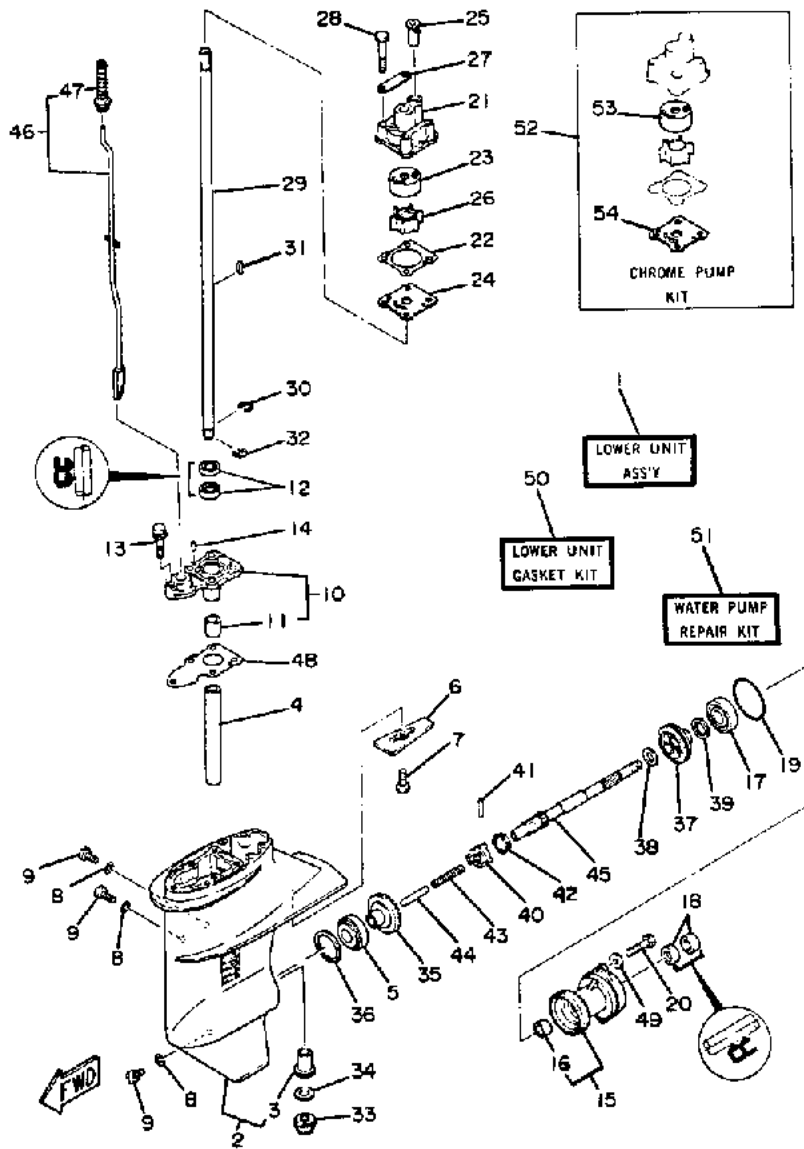
Part Notes

8LK 1985 / UPPER CASING

PART NUMBER	NOTE TEXT
92990-06600-00 	OEM: This part number is among the Top 100 Most Popular Marine Maintenance Parts as of March 2014.

©2014 Yamaha Motor Corporation, U.S.A. All rights reserved.

8LK 1985 / LOWER DRIVE 1



©2014 Yamaha Motor Corporation, U.S.A. All rights reserved.

Part List



8LK 1985 / LOWER DRIVE 1

REF - NO	PART NUMBER	PART NAME	QUANTITY	REMARKS
1	6G1-45300-03-EK	LOWER UNIT ASSEMBLY	1	U.R. SHORT
1	6G1-45300-10-EK	LOWER UNIT ASSEMBLY	1	U.R. LONG (NOT SHOWN)
2	99999-01835-00	CASING, LOWER	1	
3	6G1-45317-09-00	.BUSHING, DRIVE SHAFT	1	
4	90387-14M49-00	COLLAR	1	
5	93332-000U4-00	BEARING	1	
6	6G1-45251-02-00	ANODE	1	
7	97395-06012-00	BOLT	1	
8	90430-08020-00	.GASKET	3	
9	90340-08M04-00	PLUG, STRAIGHT SCREW	3	
10	6G1-45331-01-5B	HOUSING, BEARING	1	
11	6G1-45316-09-00	.BUSHING, DRIVE SHAFT	1	
12	93101-11M23-00	.OIL SEAL	2	
13	97395-06030-00	BOLT	1	
14	93604-08062-00	PIN, DOWEL	2	
15	99999-02228-00	CAP, LOWER CASING	1	
16	6G1-45362-09-00	.BUSHING	1	
17	93306-004U0-00	BEARING	1	
18	93101-15074-00	.OIL SEAL	2	
19	93210-49046-00	.O-RING	1	
20	97395-06016-00	BOLT, HEX	2	
21	6G1-44311-00-00	HOUSING, WATER PUMP	1	
22	6G1-44315-A0-00	.GASKET, WATER PUMP	1	
23	6G1-44322-00-00	.INSERT, CARTRIDGE	1	
24	6G1-44323-00-00	.OUTER PLATE, CARTRIDGE	1	
25	647-44366-00-00	.DAMPER, WATER SEAL	1	
26	6G1-44352-00-00	.IMPELLER	1	
27	6G1-44328-00-00	.PLATE	2	
28	97395-06045-00	BOLT, HEXAGON	4	
29	6G1-45511-10-00	SHAFT, DRIVE	1	U.R. LONG (NOT SHOWN)
29	6G1-45511-00-00	SHAFT, DRIVE	1	
30	90467-09M05-00	CLIP	1	
31	90280-03024-00	.KEY, WOODRUFF	1	
32	99009-06600-00	CIRCLIP	1	
33	6G1-45551-00-00	PINION	1	
34	6G1-45533-00-22	SHIM (T:2.2MM)	1	U.R.
34	6G1-45533-00-21	SHIM (T:2.1MM)	1	U.R.
34	6G1-45533-00-20	SHIM (T:2.0MM)	1	U.R.
34	6G1-45533-00-19	SHIM (T:1.9MM)	1	U.R.
35	6G1-45560-00-00	GEAR	1	
36	664-45587-00-08	SHIM 3	1	U.R.
36	664-45587-01-50	SHIM (T:0.50MM)	1	U.R.
36	664-45587-00-05	SHIM 3	1	U.R.
36	664-45587-01-12	SHIM (T:0.12MM)	1	U.R.
36	664-45587-01-30	SHIM (T:0.30MM)	1	U.R.
37	6G1-45571-00-00	GEAR	1	
38	90201-15M89-00	WASHER, PLATE	1	
39	647-45567-00-00	SHIM (T:0.10MM)	1	U.N.
40	6G1-45631-00-00	CLUTCH, DOG	1	
41	6G1-45632-00-00	PIN, CROSS	1	
42	654-45633-00-00	RING, CROSS PIN	1	
43	90501-10064-00	SPRING, COMPRESSION	1	
44	6G1-45635-00-00	PLUNGER, SHIFT	1	
45	6G1-45611-01-00	SHAFT, PROPELLER	1	
46	6G1-44150-01-00	SHIFT CAM ASSEMBLY	1	U.R. SHORT
46	6G1-44150-11-00	SHIFT CAM ASSEMBLY	1	U.R. LONG (NOT SHOWN)
47	6G1-44147-00-00	.BOOT, SHIFT ROD	1	
48	6G1-45315-A0-00	.PACKING, LOWER CASING	1	
49	92990-06600-00	WASHER, PLATE	2	
50	6G1-W0001-21-00	LOWER UNIT GASKET KIT	1	SEE NOTE

51	6G1-W0078-01-00	WATER PUMP REPAIR KIT	1	SEE NOTE
52	6G1-W0078-0A-00	CHROME PUMP KIT	1	
53	6G1-44322-40-00	.INSERT, CARTRIDGE	1	
54	6G1-44323-40-00	.OUTER PLATE, CARTRIDGE	1	

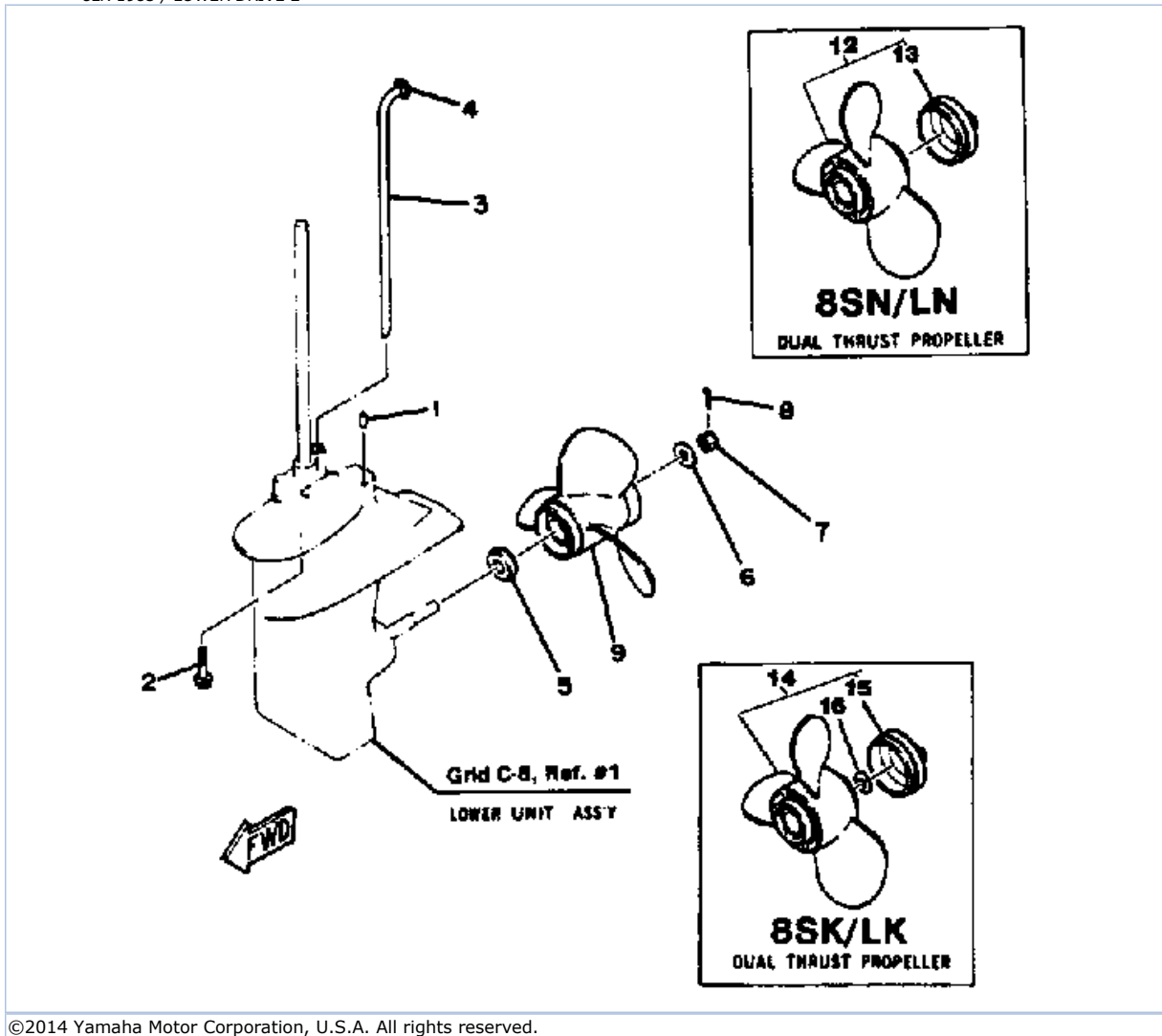
Part Notes

8LK 1985 / LOWER DRIVE 1

PART NUMBER		NOTE TEXT
90430-08020-00		OEM: This part number is among the Top 100 Most Popular Marine Maintenance Parts as of March 2014.
92990-06600-00		OEM: This part number is among the Top 100 Most Popular Marine Maintenance Parts as of March 2014.

©2014 Yamaha Motor Corporation, U.S.A. All rights reserved.

8LK 1985 / LOWER DRIVE 2



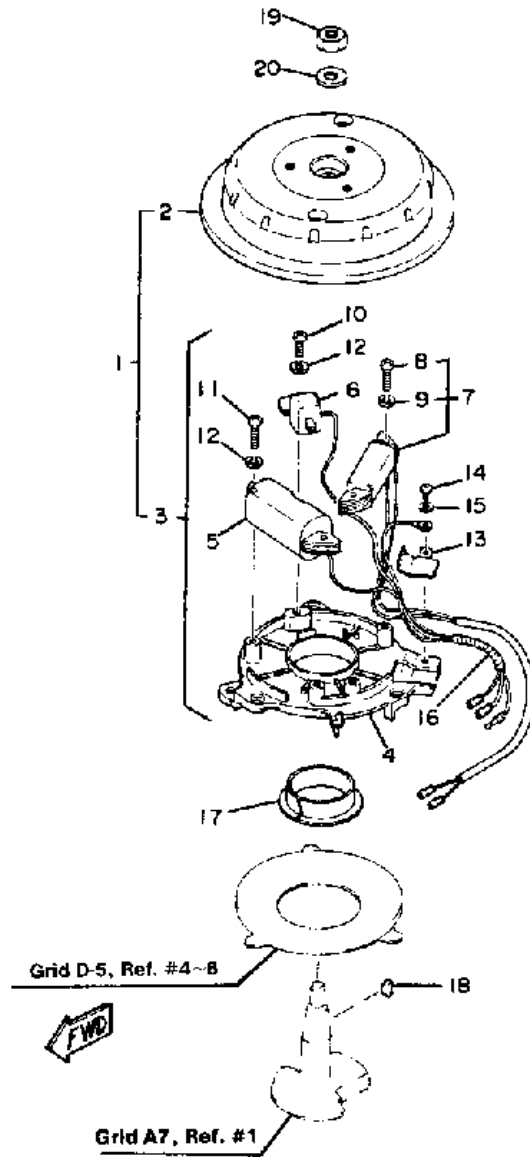
©2014 Yamaha Motor Corporation, U.S.A. All rights reserved.

Part List

8LK 1985 / LOWER DRIVE 2

REF - NO	PART NUMBER	PART NAME	QUANTITY	REMARKS
1	93604-08062-00	PIN, DOWEL	2	
2	95895-06030-00	BOLT, FLANGE	4	
3	6G1-44361-10-00	TUBE, WATER	1	U.R. LONG (NOT SHOWN)
3	6G1-44361-00-00	TUBE, WATER	1	U.R. SHORT
4	6G1-44365-00-00	DAMPER, WATER SEAL	1	
5	6G1-45987-00-00	SPACER 1	1	
6	90201-10M01-00	WASHER, PLATE	1	
7	90171-10M01-00	NUT, CASTLE	1	
8	91490-30020-00	PIN. COTTER	1	
9	6G1-45943-00-EL	PROPELLER (3X8-1/2"X7-1/2"-N)	1	U.R.
10	6G1-45981-00-00	.DAMPER, PROPELLER	1	NOT SHOWN
11	6G1-45986-00-00	.UNAVAILABLE IN PRICE BOOK	1	NOT SHOWN
12	6G1-W4591-01-EL	PROPELLER (3X9"X7"-N)	1	
13	6G1-45616-01-00	.NUT, PROPELLER	1	
14	6G1-W4591-01-EL	PROPELLER (3X9"X7"-N)	1	
15	6G1-45616-01-00	.NUT, PROPELLER	1	
16	90201-10M02-00	.WASHER, PLATE	1	

8LK 1985 / CDI MAGNETO



©2014 Yamaha Motor Corporation, U.S.A. All rights reserved.

Part List

8LK 1985 / CDI MAGNETO

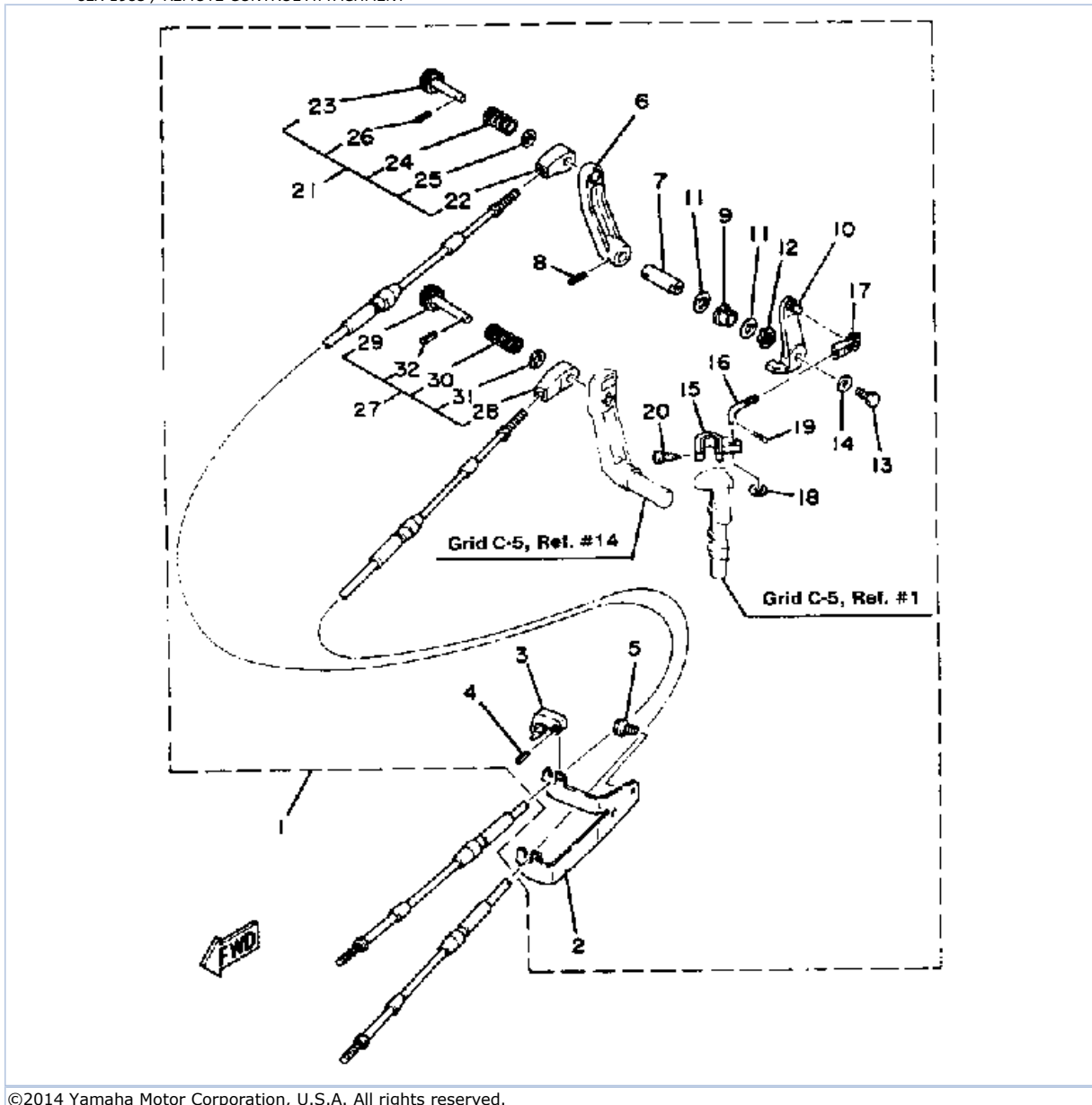
REF - NO	PART NUMBER	PART NAME	QUANTITY	REMARKS
2	6G1-85550-40-00	ROTOR ASSEMBLY	1	
2	6G1-85550-70-00	ROTOR ASSEMBLY	1	
3	6G1-85560-F0-00	..BASE ASSY	1	
4	6G1-85509-70-00	..BASE, MAGNETO	1	
5	6E7-85520-70-00	..COIL, CHARGE	1	
6	6E7-85580-70-00	..COIL, PULSER	1	
7	6E7-81303-A0-00	..LIGHTING COIL ASSY	1	
8	97802-05025-00	SCREW, PAN HEAD	2	
8	6E7-81303-A0-00	..LIGHTING COIL ASSY	1	
9	92990-05100-00	..WASHER, SPRING	2	
10	97902-05116-00	..SCREW, PAN HEAD (97802-05016-00)	1	
11	97802-05020-00	..SCREW, PAN HEAD	2	
12	92990-05100-00	..WASHER, SPRING	3	
13	6G1-85548-70-00	..HOLDER	1	
14	98580-04008-00	..SCREW, PAN HEAD	1	
15	92901-04100-00	..WASHER, SPRING	1	
16	6G1-85515-70-00	..LEAD WIRE ASSY	1	
17	90386-44M42-00	BUSH	1	
18	90280-04M06-00	KEY, WOODRUFF	1	
19	90170-10113-00	NUT	1	
20	90201-102G9-00	WASHER, PLATE	1	

Part List

8LK 1985 / ELECTRIC PARTS

REF - NO	PART NUMBER	PART NAME	QUANTITY	REMARKS
1	6G1-85570-00-00	IGNITION COIL ASSEMBLY	1	
2	90105-06M21-00	BOLT, WASHER BASED	2	
3	90465-08M17-00	CLAMP	1	
4	6G1-41611-00-00	RETAINER, MAGNETO BASE	1	
5	6G1-41612-00-00	RETAINER, MAGNETO BASE	1	
6	695-41613-00-00	PLATE, BASE FRICTION	1	
7	98580-05010-00	.SCREW, PAN HEAD	3	
8	92990-05600-00	WASHER, PLATE	3	
9	6G1-41615-00-00	STOPPER, MAGNETO BASE	1	
10	90105-06M23-00	.BOLT FLANGE	1	
11	663-82370-01-00	PLUG CAP ASSY	2	
12	696-85540-11-00	C.D.I. UNIT ASSY	1	
13	90105-06M15-00	BOLT, FLANGE	2	
14	90105-06M23-00	.BOLT FLANGE	1	
15	6G1-83557-00-00	TUBE	1	
16	6G1-44194-00-00	CAP	1	

8LK 1985 / REMOTE CONTROL ATTACHMENT



©2014 Yamaha Motor Corporation, U.S.A. All rights reserved.


Part List

8LK 1985 / REMOTE CONTROL ATTACHMENT

REF - NO	PART NUMBER	PART NAME	QUANTITY	REMARKS
1	6G1-48501-50-00	REMOTE CONTROL ATTACHMENT ASSY	1	
2	6G1-48531-50-00	.BRACKET, REMOTE CONTROL 1	1	
3	682-48538-50-00	.CLAMP, CABLE 1	2	
4	91690-30012-00	.PIN, SPRING	2	
5	90105-06M23-00	.BOLT FLANGE	2	
6	6G1-41631-50-EK	.LEVER, MAGNETO CONTROL	1	
7	6G1-41635-50-00	.SHAFT, LINK CONNECTING	1	
8	91690-40016-00	.PIN, SPRING	1	
9	90386-10009-00	.BUSH	1	
10	6G1-41632-50-94	.LEVER, MAGNETO CONTROL	1	
11	90202-10024-00	.WASHER, PLATE	2	
12	90206-10M12-00	.WASHER, WAVE	1	
13	97313-05014-00	.BOLT, HEXAGON	1	
14	92990-05600-00	.WASHER, PLATE	1	
15	6G1-41633-50-94	.LEVER, MAGNETO CONTROL	1	
16	6G1-41238-50-00	.JOINT, LINK	1	
17	6H1-41237-00-00	.JOINT, LINK	1	
18	90202-05088-00	.WASHER, PLATE	1	
19	91490-25020-00	.PIN COTTER	1	
20	97780-50520-00	.SCREW, TAPPING	1	
21	682-48340-50-00	.CABLE END ASSY (THROTTLE)	1	
22	682-48344-50-00	..CABLE END, REMOTE CONTROL 1	1	
23	617-48361-90-00	..HOOK, CABLE	1	
24	90501-10264-00	..SPRING, COMPRESSION	1	
25	92990-08600-00	..WASHER, PLATE	1	
26	91690-30012-00	..PIN, SPRING	1	
27	682-48330-50-00	.CABLE END ASSY (SHIFT)	1	
28	682-48346-50-00	..CABLE END, REMOTE CONTROL 3	1	
29	617-48331-91-00	..HOOK, CABLE	1	
30	90501-10071-00	..SPRING, COMPRESSION	1	
31	92990-08600-00	..WASHER, PLATE	1	
32	91690-30012-00	..PIN, SPRING	1	

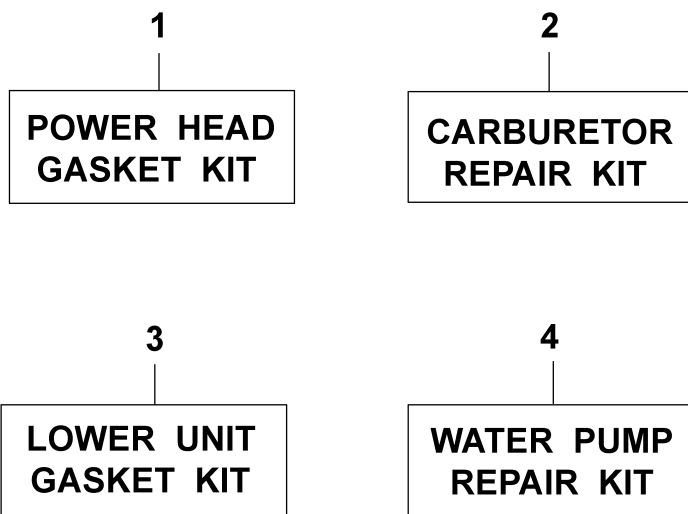
Part Notes

8LK 1985 / REMOTE CONTROL ATTACHMENT

PART NUMBER	NOTE TEXT
6H1-41237-00-00 	OEM: This part number is among the Top 100 Most Popular Marine Maintenance Parts as of March 2014.

©2014 Yamaha Motor Corporation, U.S.A. All rights reserved.

8LK 1985 / REPAIR KIT



Part List

8LK 1985 / REPAIR KIT

REF - NO	PART NUMBER	PART NAME	QUANTITY	REMARKS
1	6G1-W0001-02-00	POWER HEAD GASKET KIT	1	
2	6G1-W0093-00-00	CARBURETOR REPAIR KIT	1	
3	6G1-W0001-21-00	LOWER UNIT GASKET KIT	1	
4	6G1-W0078-01-00	WATER PUMP REPAIR KIT	1	

©2014 Yamaha Motor Corporation, U.S.A. All rights reserved.