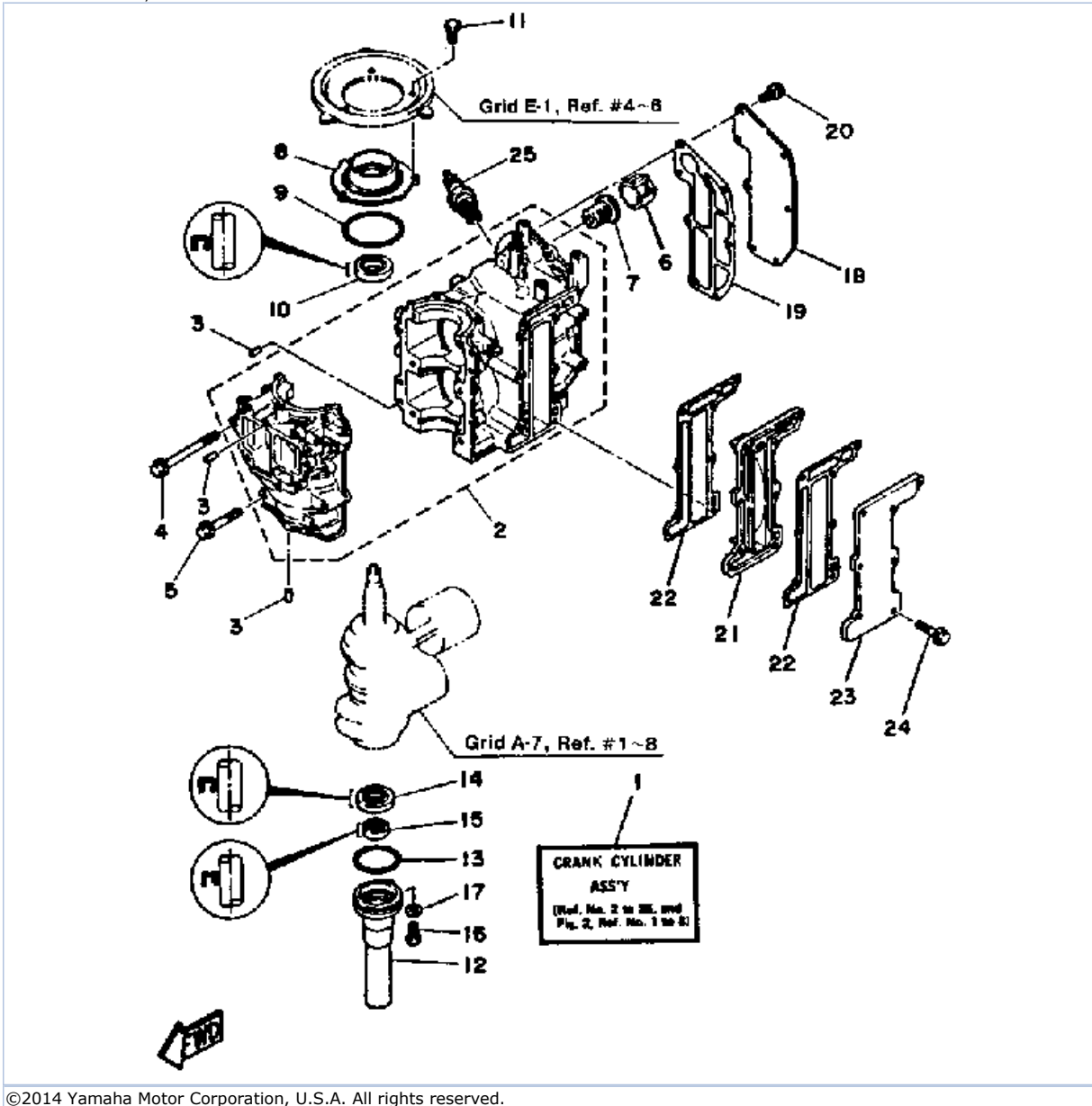


6LJ 1986 / CRANKCASE CYLINDER



©2014 Yamaha Motor Corporation, U.S.A. All rights reserved.


Part List

6LJ 1986 / CRANKCASE CYLINDER

| REF - NO | PART NUMBER | PART NAME | QUANTITY | REMARKS |
|----------|-----------------|------------------------------|----------|---------|
| 1 | 6G1-W0090-03-EK | CRANK-CYLINDER ASSEMBLY | 1 | |
| 2 | 6G1-15100-00-94 | CRANKCASE ASSEMBLY | 1 | |
| 3 | 93604-08062-00 | PIN, DOWEL | 4 | |
| 4 | 90105-06M26-00 | BOLT, FLANGE | 6 | |
| 5 | 90105-06M25-00 | BOLT, FLANGE | 4 | |
| 6 | 90387-22M50-00 | COLLAR | 1 | |
| 7 | 6E5-12411-20-00 | THERMOSTAT | 1 | |
| 8 | 6G1-15359-01-94 | HOUSING, OIL SEAL | 1 | |
| 9 | 93210-54M54-00 | O-RING | 1 | |
| 10 | 93102-20M25-00 | OIL SEAL | 1 | |
| 11 | 97313-06016-00 | BOLT, HEXAGON | 3 | |
| 12 | 6G1-15396-01-5B | HOUSING, OIL SEAL | 1 | |
| 13 | 93210-42159-00 | .O-RING | 1 | |
| 14 | 93101-20M29-00 | OIL SEAL | 1 | |
| 15 | 93101-12M26-00 | .OIL SEAL | 1 | |
| 16 | 97395-06016-00 | BOLT, HEX | 1 | |
| 17 | 92990-06600-00 | WASHER, PLATE | 1 | |
| 18 | 6G1-11191-01-9M | COVER, CYLINDER HEAD 1 | 1 | |
| 19 | 6G1-11193-A1-00 | .GASKET, HEAD COVER 1 | 1 | |
| 20 | 90105-06M14-00 | BOLT FLANGE | 7 | |
| 21 | 6G1-41111-01-9M | INNER COVER, EXHAUST | 1 | |
| 22 | 6G1-41112-A1-00 | .GASKET, EXHAUST INNER COVER | 2 | |
| 23 | 6G1-41113-01-9M | OUTER COVER, EXHAUST | 1 | |
| 24 | 95895-06025-00 | BOLT, FLANGE | 7 | |
| 25 | NGK-B7HS1-00-00 | PLUG, SPARK (NGK B7HS-10) | 2 | |

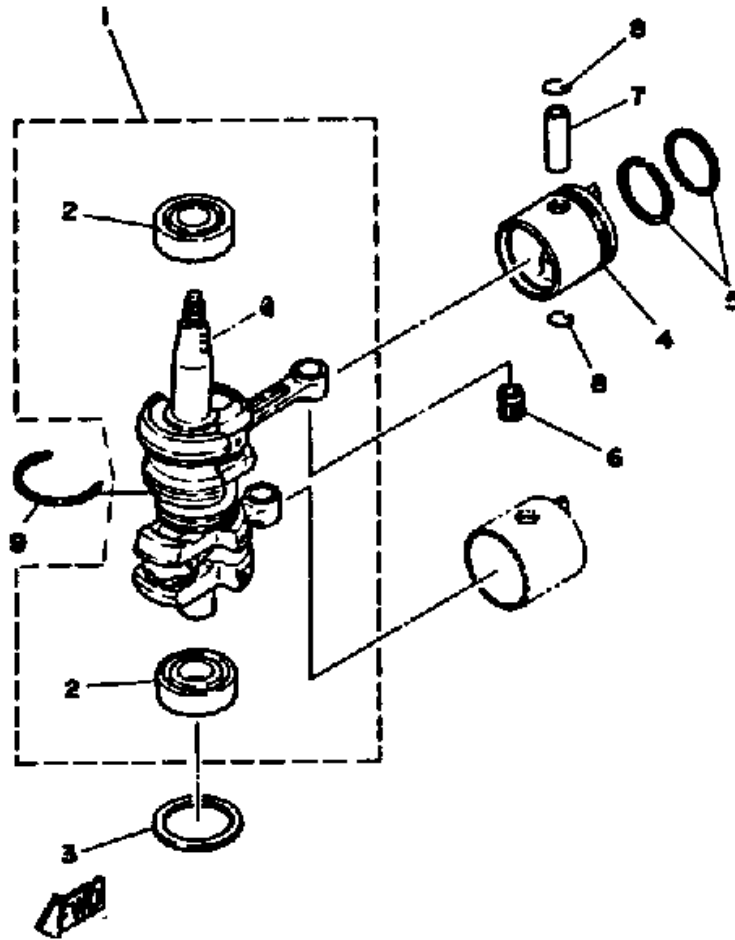
Part Notes

6LJ 1986 / CRANKCASE CYLINDER

| PART NUMBER | NOTE TEXT |
|--|--|
| 92990-06600-00  | OEM: This part number is among the Top 100 Most Popular Marine Maintenance Parts as of March 2014. |

©2014 Yamaha Motor Corporation, U.S.A. All rights reserved.

6LJ 1986 / CRANK PISTON



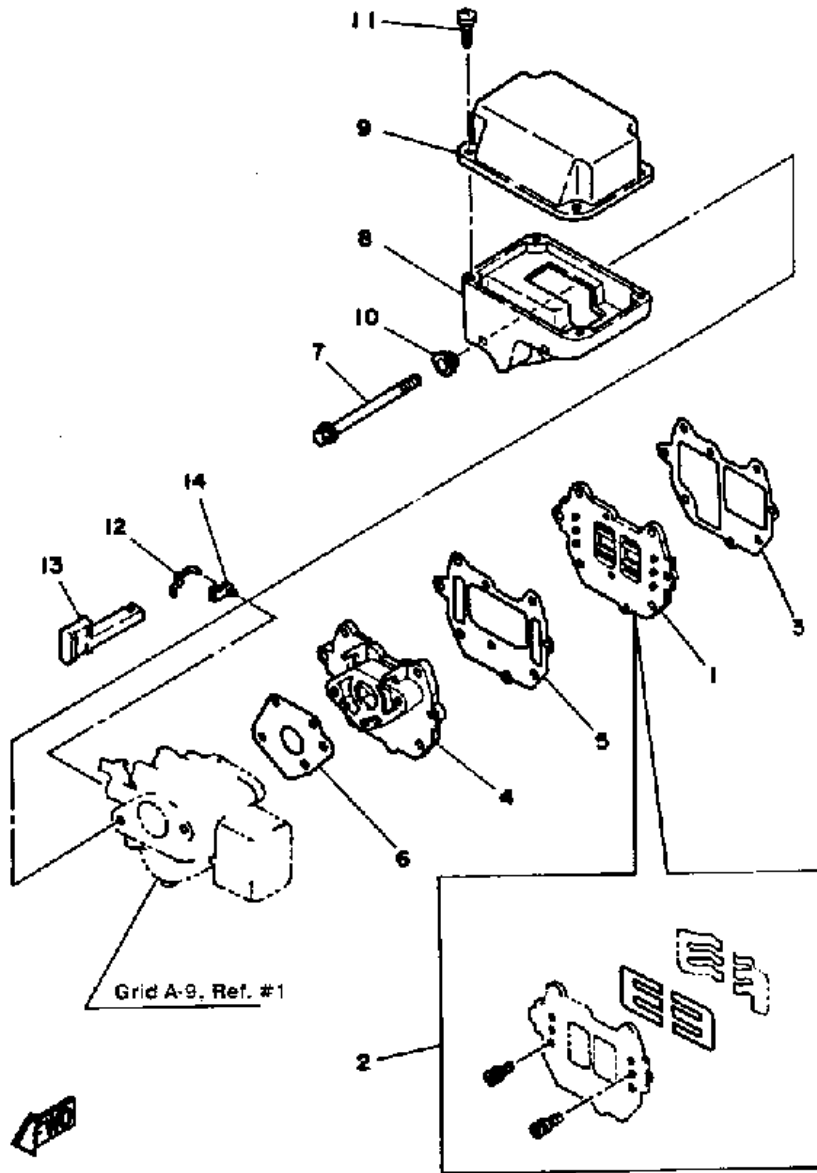
©2014 Yamaha Motor Corporation, U.S.A. All rights reserved.

Part List

6LJ 1986 / CRANK PISTON

| REF - NO | PART NUMBER | PART NAME | QUANTITY | REMARKS |
|----------------|-----------------|--------------------------------|----------|---------|
| 1 | 6G1-11400-00-00 | CRANKSHAFT ASSEMBLY | 1 | |
| 2 | 93306-204U0-00 | .BEARING | 2 | |
| 3 | 90201-41528-00 | WASHER, PLATE (90201-41303-00) | 1 | |
| 4 | 6G1-11631-00-98 | PISTON (STD) | 2 | |
| 5 | 6G1-11610-00-00 | PISTON RINGSET (STD) | 2 | |
| 6 | 93310-112V0-00 | BEARING | 2 | |
| 7 | 6G1-11633-00-00 | PIN, PISTON | 2 | |
| 8 | 93450-13022-00 | CIRCLIP | 4 | |
| 9 | 93440-47055-00 | .CIRCLIP | 1 | |

6LJ 1986 / INTAKE



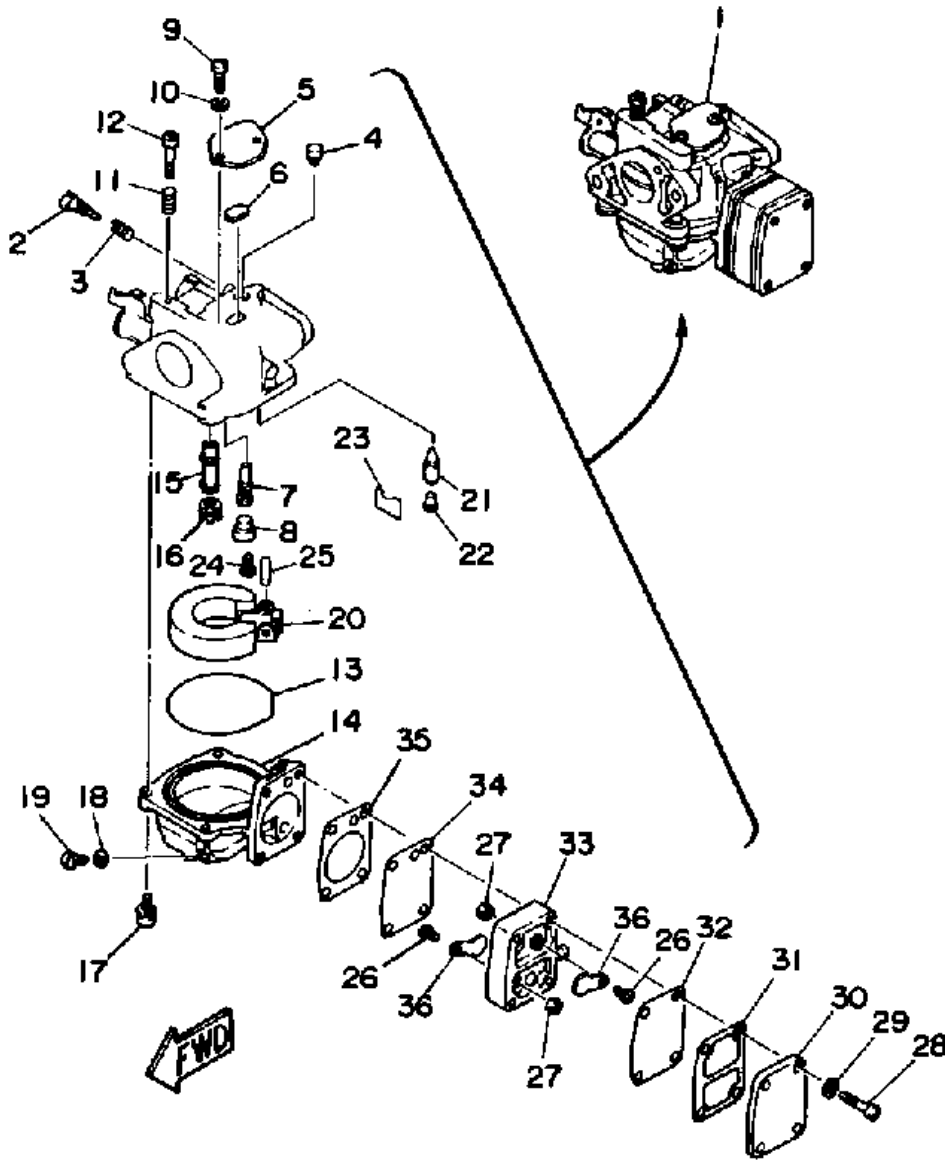
©2014 Yamaha Motor Corporation, U.S.A. All rights reserved.

Part List

6LJ 1986 / INTAKE

| REF - NO | PART NUMBER | PART NAME | QUANTITY | REMARKS |
|----------------|-----------------|--------------------|----------|---------|
| 1 | 6G1-13610-01-00 | REED VALVE ASSY | 1 | |
| 2 | 6G1-W0004-00-00 | .REED SET | 1 | |
| 3 | 6G1-13621-00-00 | GASKET, VALVE SEAT | 1 | |
| 4 | 6G1-13641-00-94 | MANIFOLD 1 | 1 | |
| 5 | 6G1-13645-00-00 | GASKET, MANIFOLD 1 | 1 | |
| 6 | 6G1-14198-A1-00 | GASKET | 1 | |
| 7 | 90105-06M27-00 | BOLT, WASHER BASED | 2 | |
| 8 | 6G1-14417-00-00 | COVER 1 | 1 | |
| 9 | 6G1-14418-00-00 | COVER 2 | 1 | |
| 10 | 90387-06M70-00 | COLLAR | 2 | |
| 11 | 97780-50514-00 | SCREW, TAPPING | 4 | |
| 12 | 6G1-41256-00-00 | ROD, CHOKE 1 | 1 | |
| 13 | 6G1-41271-00-00 | KNOB, CHOKE | 1 | |
| 14 | 661-41262-02-00 | JOINT, CHOKE LEVER | 1 | |

6LJ 1986 / CARBURETOR



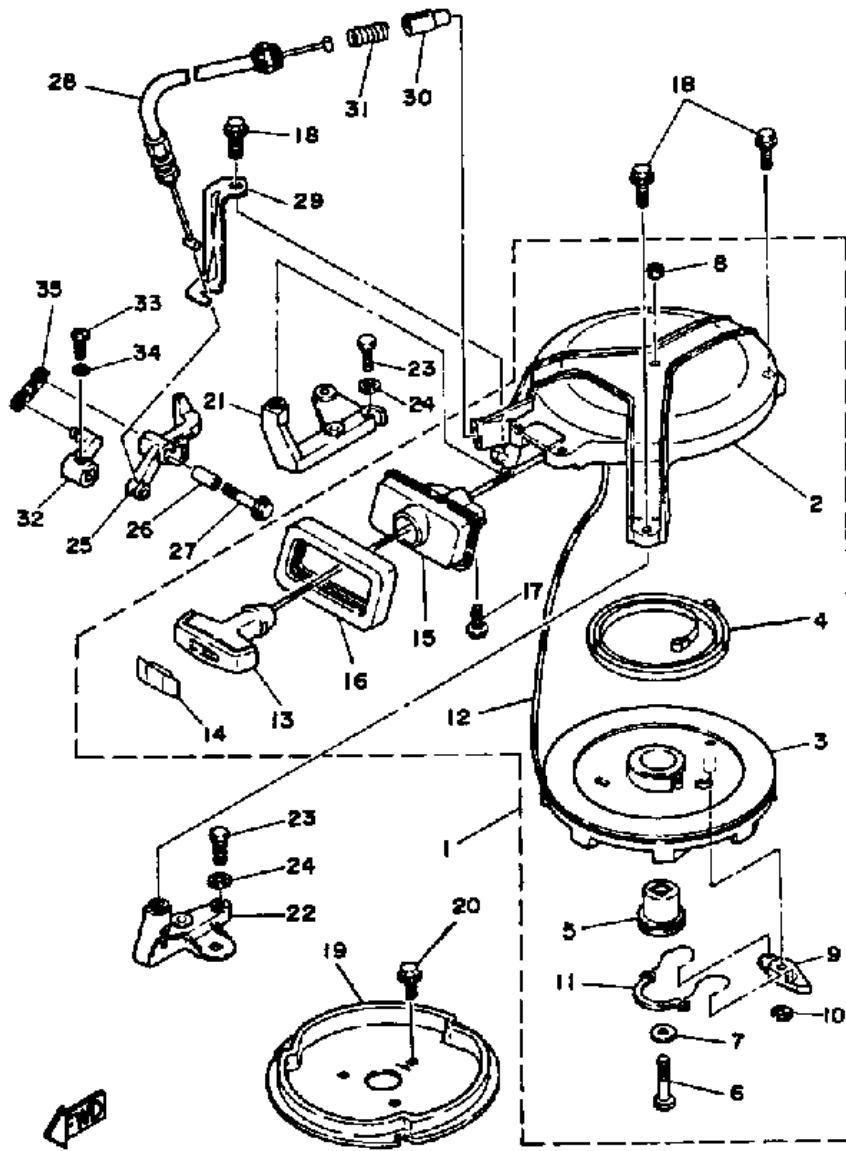
©2014 Yamaha Motor Corporation, U.S.A. All rights reserved.

Part List

6LJ 1986 / CARBURETOR

| REF - NO | PART NUMBER | PART NAME | QUANTITY | REMARKS |
|----------------|------------------|------------------------|----------|--------------|
| 1 | 6H6-14301-01-00 | CARBURETOR ASSY 1 | 1 | U.R. 6 MODEL |
| 1 | 6G1-14301-01-00 | CARBURETOR ASSY 1 | 1 | U.R. 8 MODEL |
| 2 | 679-14923-00-00 | SCREW, PILOT | 1 | |
| 3 | 679-14555-00-00 | .SPRING | 1 | |
| 4 | 6G1-14966-00-00 | CAP | 1 | |
| 5 | 6G1-14527-00-00 | .PLATE | 1 | |
| 6 | 6G1-14126-00-00 | GASKET | 1 | |
| 7 | 6G1-14948-05-00 | .JET (#45) | 1 | |
| 8 | 676-14966-00-00 | CAP | 1 | |
| 9 | (97803-04010-00) | SCREW, PAN HEAD | 2 | |
| 10 | 92901-04600-00 | WASHER | 2 | |
| 11 | 90501-10326-00 | .SPRING, COMPRESSION | 1 | |
| 12 | 663-14523-00-00 | SCREW, STOP | 1 | |
| 13 | 6G1-14984-00-00 | O-RING | 1 | |
| 14 | 6G1-14980-01-00 | .BODY, FLOAT CHAMBER | 1 | |
| 15 | 6G1-14947-00-00 | .JET, NEEDLE | 1 | U.R. 8 MODEL |
| 15 | 6H6-14947-00-00 | JET, NEEDLE | 1 | U.R. 6 MODEL |
| 16 | 676-14943-19-00 | .JET, MAIN (#80) | 1 | U.R. 6 MODEL |
| 16 | 676-14943-26-00 | .JET, MAIN (#98) | 1 | U.R. 8 MODEL |
| 17 | 97980-04114-00 | .SCREW, WITH WASHER | 4 | |
| 18 | 6G1-14398-00-00 | .WASHER | 1 | |
| 19 | 6G1-14992-00-00 | .SCREW, DRAIN | 1 | |
| 20 | 6G1-14985-00-00 | FLOAT | 1 | |
| 21 | 6G1-14546-00-00 | VALVE, NEEDLE | 1 | |
| 22 | 676-14186-00-00 | PIN, FLOAT | 1 | |
| 23 | 663-14159-00-00 | .CLIP | 1 | |
| 24 | 98580-04008-00 | .SCREW, PAN HEAD | 1 | |
| 25 | 688-14548-00-00 | PIN, FLOAT ARM | 1 | |
| 26 | 98902-03006-00 | .SCREW, BIND | 2 | |
| 27 | 90179-03478-00 | NUT, SPECIAL SHAPE 0 2 | 2 | |
| 28 | 98580-04025-00 | SCREW, PAN HEAD | 4 | |
| 29 | 92901-04100-00 | WASHER, SPRING | 4 | |
| 30 | 6G1-24452-00-00 | .COVER | 1 | |
| 31 | 6G1-24432-00-00 | .GASKET, FUEL PUMP 2 | 1 | |
| 32 | 6G1-24471-00-00 | .DIAPHRAGM | 1 | |
| 33 | 6G1-24412-00-00 | BODY 1 | 1 | |
| 34 | 6G1-24411-00-00 | .DIAPHRAGM | 1 | |
| 35 | 6G1-24431-00-00 | GASKET, FUEL PUMP 1 | 1 | |
| 36 | 6G1-24421-00-00 | .VALVE, CHECK | 2 | |

6LJ 1986 / MANUAL STARTER



©2014 Yamaha Motor Corporation, U.S.A. All rights reserved.


Part List

6LJ 1986 / MANUAL STARTER

| REF - NO | PART NUMBER | PART NAME | QUANTITY | REMARKS |
|----------|-----------------|---------------------------|----------|---------|
| 1 | 6G1-15710-81-00 | STARTER ASSEMBLY | 1 | |
| 2 | 6G1-15711-80-94 | CASE, STARTER | 1 | |
| 3 | 6G1-15714-00-00 | DRUM, SHEAVE | 1 | |
| 4 | 90510-08M03-00 | .SPRING, SPIRAL | 1 | |
| 5 | 6G1-15717-00-00 | .SHAFT, STARTER | 1 | |
| 6 | 97013-06035-00 | BOLT | 1 | |
| 7 | 90201-06M30-00 | WASHER, PLATE | 1 | |
| 8 | 95380-06600-00 | NUT, HEXAGON | 1 | |
| 9 | 677-15741-01-00 | .PAWL, DRIVE | 1 | |
| 10 | 93430-06M02-00 | .CIRCLIP | 1 | |
| 11 | 6G1-15705-00-00 | .SPRING, DRIVE PAWL | 1 | |
| 12 | 90580-50M01-00 | ROPE, STARTER | 1 | |
| 13 | 6G1-15755-00-00 | .HANDLE, STARTER | 1 | |
| 14 | 689-15779-01-00 | COVER | 1 | |
| 15 | 6G1-15758-00-00 | GUIDE, ROPE | 1 | |
| 16 | 6G1-15762-00-00 | .SEAL, RUBBER 2 | 1 | |
| 17 | 90105-06M14-00 | BOLT FLANGE | 2 | |
| 18 | 90105-06M15-00 | BOLT, FLANGE | 3 | |
| 19 | 6G1-15723-00-94 | PULLEY, STARTER | 1 | |
| 20 | 90105-06M29-00 | BOLT, FLANGE | 3 | |
| 21 | 6G1-15771-00-94 | STAY 1 | 1 | |
| 22 | 6G1-15772-00-94 | STAY 2 | 1 | |
| 23 | 97313-06020-00 | BOLT, HEXAGON | 4 | |
| 24 | 92990-06600-00 | WASHER, PLATE | 4 | |
| 25 | 6G1-15746-10-00 | ARM | 1 | |
| 26 | 6G1-15764-00-00 | COLLAR 1 | 1 | |
| 27 | 90105-06M24-00 | BOLT, FLANGE | 1 | |
| 28 | 6G1-15770-81-00 | CABLE COMP., STARTER STOP | 1 | |
| 29 | 6G1-15774-81-00 | STAY 4 | 1 | |
| 30 | 656-15748-00-00 | PLUNGER, STARTER STOP | 1 | |
| 31 | 90501-10227-00 | SPRING, COMPRESSION | 1 | |
| 32 | 6G1-44125-80-00 | LEVER, SHIFT ROD | 1 | |
| 33 | 98580-05016-00 | SCREW, PAN HEAD | 1 | |
| 34 | 92990-05600-00 | WASHER, PLATE | 1 | |
| 35 | 6G1-15747-80-00 | LINK | 1 | |

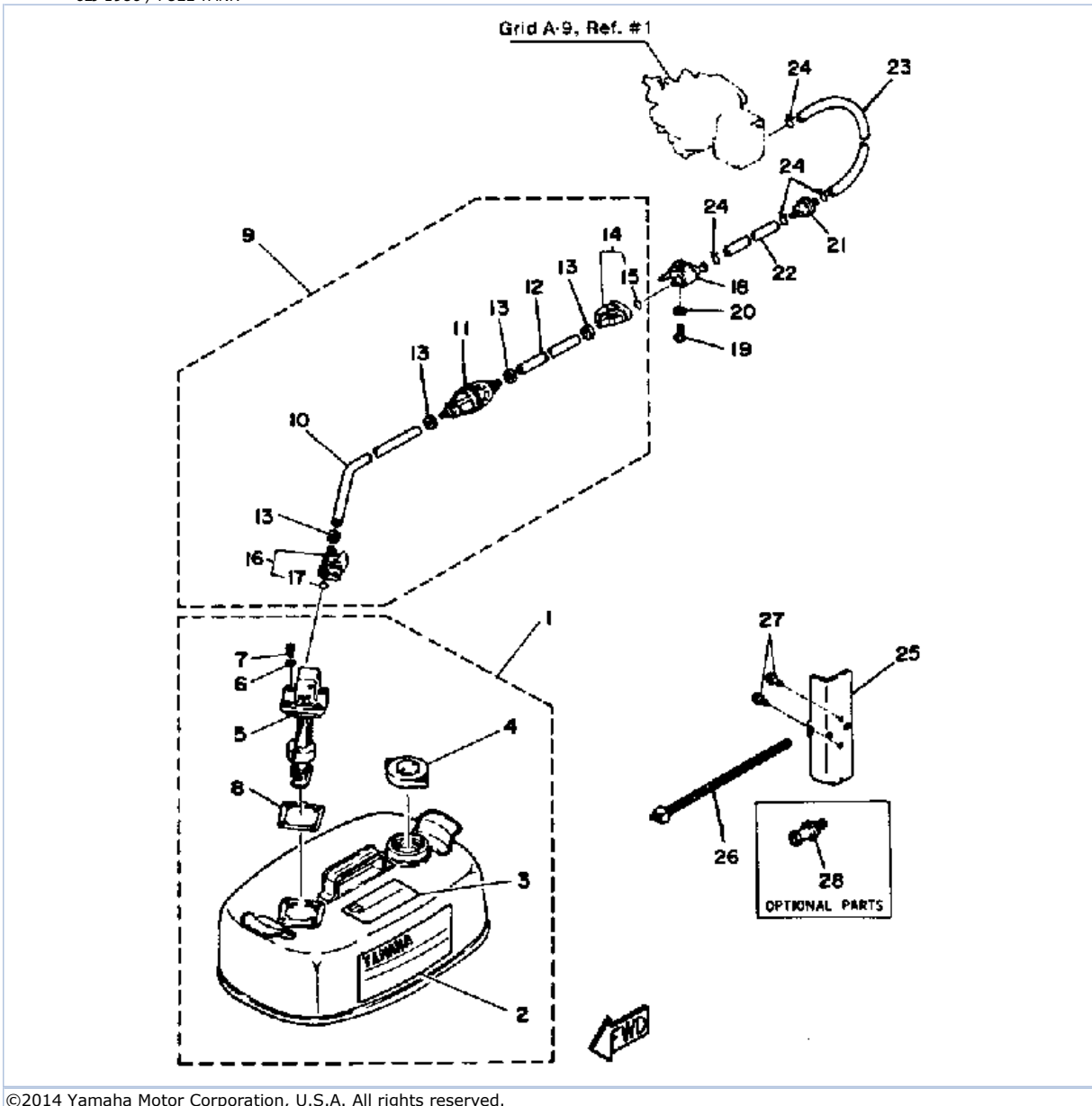
Part Notes

6LJ 1986 / MANUAL STARTER

| PART NUMBER | NOTE TEXT |
|--|--|
| 92990-06600-00  | OEM: This part number is among the Top 100 Most Popular Marine Maintenance Parts as of March 2014. |

©2014 Yamaha Motor Corporation, U.S.A. All rights reserved.

6LJ 1986 / FUEL TANK



©2014 Yamaha Motor Corporation, U.S.A. All rights reserved.



Part List

6LJ 1986 / FUEL TANK

| REF - NO | PART NUMBER | PART NAME | QUANTITY | REMARKS |
|----------------|------------------|-------------------------|----------|----------|
| 1 | 6Y4-24203-41-24 | FUEL TANK ASSEMBLY | 1 | |
| 2 | 6Y4-24244-50-00 | GRAPHIC, FUEL TNK 1 | 1 | |
| 3 | 6Y1-24255-40-00 | GRAPHIC, FUEL TNK 8 | 1 | |
| 4 | 6Y1-24610-00-00 | CAP ASSEMBLY | 1 | |
| 5 | 6Y4-24260-01-00 | FUEL METER ASSEMBLY | 1 | |
| 6 | 6Y1-24329-00-00 | .SEAL | 4 | |
| 7 | 98586-05016-00 | SCREW, PAN HEAD | 4 | |
| 8 | 6Y1-24268-00-00 | .GASKET, FUEL METER | 1 | |
| 9 | 6Y1-24306-51-00 | FUEL PIPE COMP. 1 | 1 | |
| 10 | 90445-11M80-00 | HOSE | 1 | SEE NOTE |
| 11 | 6Y1-24360-51-00 | PRIMER PUMP ASSY. | 1 | |
| 12 | (90445-11M78-00) | HOSE | 1 | SEE NOTE |
| 13 | 650-24351-51-00 | .BAND 1 | 4 | |
| 14 | 6G1-24305-01-00 | FUEL PIPE JOINT COMP. 2 | 1 | |
| 15 | 93210-08287-00 | ..O-RING | 1 | |
| 16 | 6Y1-24305-02-00 | FUEL PIPE JOINT COMP. 2 | 1 | |
| 17 | 93210-08287-00 | ..O-RING | 1 | |
| 18 | 6G1-24304-02-00 | FUEL PIPE JOINT COMP. 1 | 1 | |
| 19 | 97313-06025-00 | BOLT | 1 | |
| 20 | 92990-06600-00 | WASHER, PLATE | 1 | |
| 21 | 646-24251-02-00 | .STRAINER 1 | 1 | |
| 22 | 90445-09094-00 | HOSE (L210) | 1 | |
| 23 | 90445-09220-00 | HOSE (L30) | 1 | |
| 24 | 90467-08004-00 | CLIP | 4 | |
| 25 | 6G1-28170-00-00 | TOOL, HOLDER | 1 | |
| 26 | 90464-14117-00 | CLAMP | 1 | |
| 27 | 90105-06M23-00 | .BOLT FLANGE | 2 | |
| 28 | ABB-FLUSH-JD-00 | JET DRIVE FLUSH | 1 | AP |

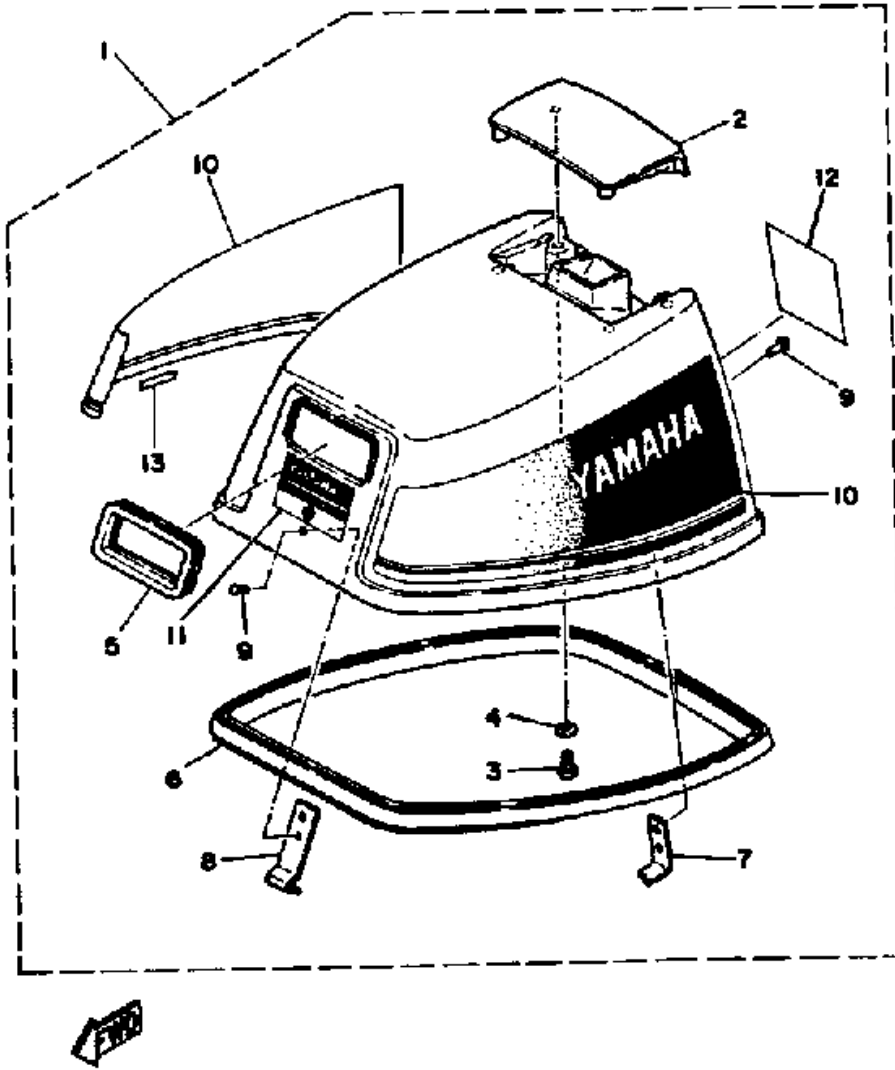
Part Notes

6LJ 1986 / FUEL TANK

| PART NUMBER | NOTE TEXT |
|---|--|
| 92990-06600-00  | OEM: This part number is among the Top 100 Most Popular Marine Maintenance Parts as of March 2014. |
| 646-24251-02-00  | OEM: This part number is among the Top 100 Most Popular Marine Maintenance Parts as of March 2014. |

©2014 Yamaha Motor Corporation, U.S.A. All rights reserved.

6LJ 1986 / TOP COWLING 6J 8J



©2014 Yamaha Motor Corporation, U.S.A. All rights reserved.


Part List

6LJ 1986 / TOP COWLING 6J 8J

| REF - NO | PART NUMBER | PART NAME | QUANTITY | REMARKS |
|----------------|-----------------|----------------------|----------|--------------|
| 1 | 6H6-42610-13-EK | TOP COWLING ASSEMBLY | 1 | U.R. 6 MODEL |
| 1 | 6G1-42610-13-EK | TOP COWLING ASSEMBLY | 1 | U.R. 8 MODEL |
| 2 | 6G1-42613-00-EK | MOLDING, AIR DUCT | 1 | |
| 3 | 97013-06012-00 | BOLT | 4 | |
| 4 | 92990-06600-00 | WASHER, PLATE | 4 | |
| 5 | 6G1-15761-00-00 | .SEAL, RUBBER 1 | 1 | |
| 6 | 6G1-42615-00-00 | .SEAL | 1 | |
| 7 | 6G1-42647-00-00 | .HOLDER, CLAMP BAND | 1 | |
| 8 | 6G1-42651-02-00 | .HOOK | 1 | |
| 9 | 90266-04M00-00 | .RIVET | 4 | |
| 10 | 6G1-W0070-23-00 | GRAPHIC SET | 1 | |
| 11 | 6G1-42677-01-00 | GRAPHIC, FRONT | 1 | |
| 12 | 6G1-42678-10-00 | GRAPHIC, REAR | 1 | U.R. 8 MODEL |
| 12 | 6H6-42678-10-00 | GRAPHIC, REAR | 1 | U.R. 6 MODEL |
| 13 | 6E0-44191-11-00 | INDICATOR, SHIFT | 1 | |

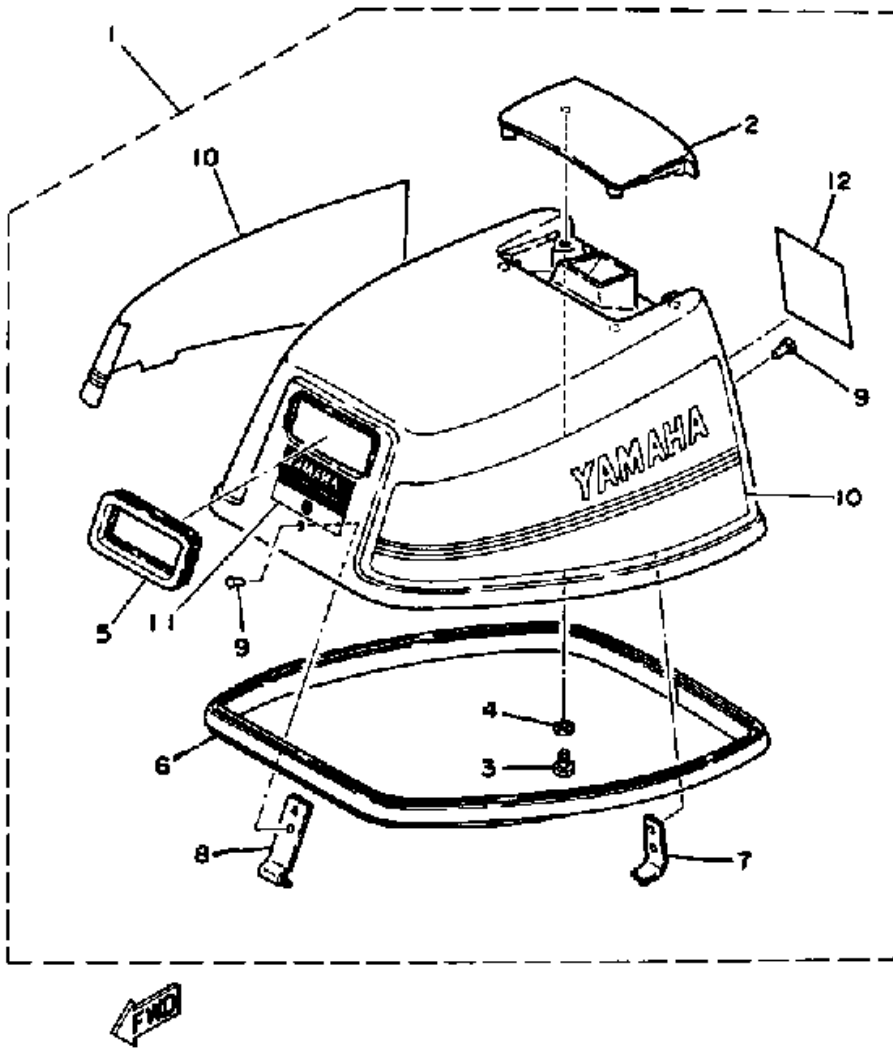
Part Notes

6LJ 1986 / TOP COWLING 6J 8J

| PART NUMBER | NOTE TEXT |
|--|--|
| 92990-06600-00  | OEM: This part number is among the Top 100 Most Popular Marine Maintenance Parts as of March 2014. |

©2014 Yamaha Motor Corporation, U.S.A. All rights reserved.

6LJ 1986 / TOP COWLING 6H 8H



©2014 Yamaha Motor Corporation, U.S.A. All rights reserved.


Part List

6LJ 1986 / TOP COWLING 6H 8H

| REF - NO | PART NUMBER | PART NAME | QUANTITY | REMARKS |
|----------------|-----------------|----------------------|----------|----------------|
| 1 | 6H6-42610-13-EK | TOP COWLING ASSEMBLY | 1 | U.R. MODEL 6H |
| 1 | 6G1-42610-13-EK | TOP COWLING ASSEMBLY | 1 | U.R. MODEL 8H |
| 2 | 6G1-42613-00-EK | MOLDING, AIR DUCT | 1 | |
| 3 | 97013-06012-00 | BOLT | 4 | |
| 4 | 92990-06600-00 | WASHER, PLATE | 4 | |
| 5 | 6G1-15761-00-00 | .SEAL, RUBBER 1 | 1 | |
| 6 | 6G1-42615-00-00 | .SEAL | 1 | |
| 7 | 6G1-42647-00-00 | .HOLDER, CLAMP BAND | 1 | |
| 8 | 6G1-42651-02-00 | .HOOK | 1 | |
| 9 | 90266-04M00-00 | .RIVET | 4 | |
| 10 | 6G1-W0070-23-00 | GRAPHIC SET | 1 | |
| 11 | 6G1-42677-01-00 | GRAPHIC, FRONT | 1 | |
| 12 | 6H6-42678-10-00 | GRAPHIC, REAR | 1 | U.R. MODEL 6H |
| 12 | 6G1-42678-10-00 | GRAPHIC, REAR | 1 | U.R. MODEL 8 H |

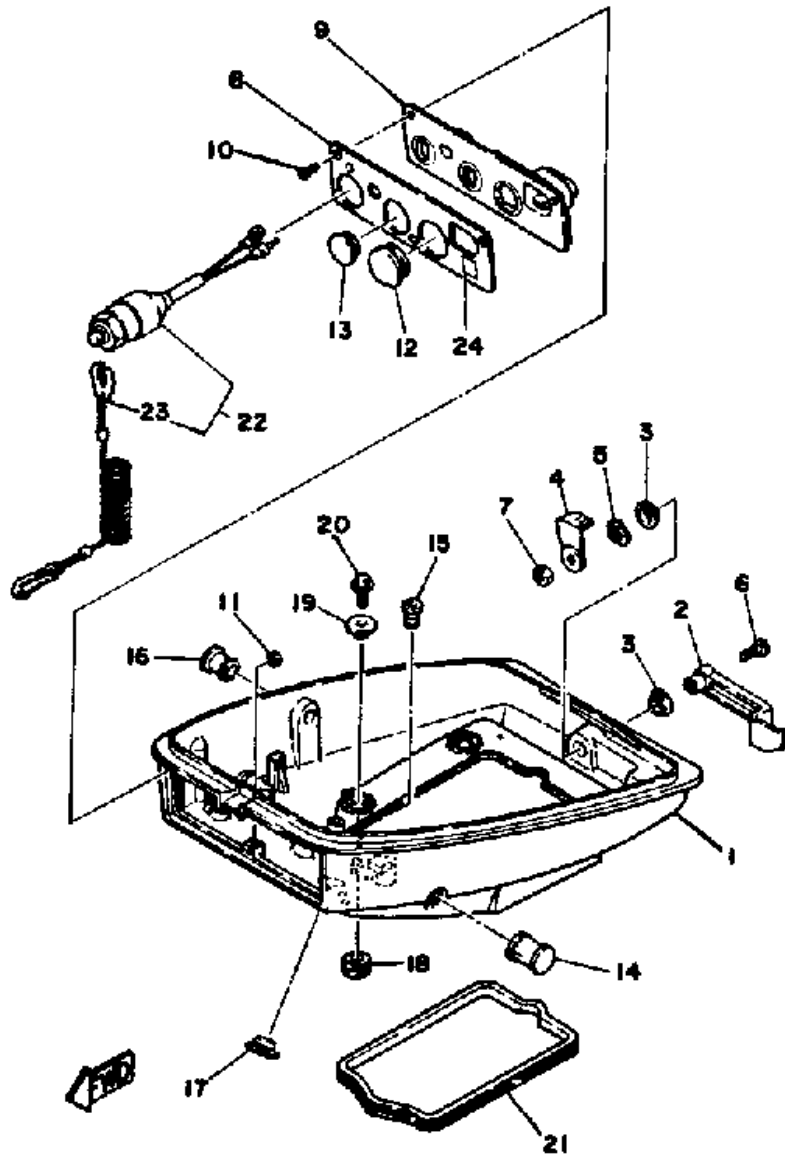
Part Notes

6LJ 1986 / TOP COWLING 6H 8H

| PART NUMBER | NOTE TEXT |
|--|--|
| 92990-06600-00  | OEM: This part number is among the Top 100 Most Popular Marine Maintenance Parts as of March 2014. |

©2014 Yamaha Motor Corporation, U.S.A. All rights reserved.

6LJ 1986 / BOTTOM COWLING



©2014 Yamaha Motor Corporation, U.S.A. All rights reserved.


Part List

6LJ 1986 / BOTTOM COWLING

| REF - NO | PART NUMBER | PART NAME | QUANTITY | REMARKS |
|----------------|-----------------|--------------------------------|----------|---------|
| 1 | 6G1-42711-01-EK | BOTTOM COWLING | 1 | |
| 2 | 6G1-42815-00-EK | LEVER, CLAMP 1 | 1 | |
| 3 | 90386-12M45-00 | BUSH | 2 | |
| 4 | 6E0-42816-00-00 | LEVER, CLAMP | 1 | |
| 5 | 90206-12052-00 | WASHER, WAVE | 1 | |
| 6 | 98580-06030-00 | .SCREW, PAN HEAD | 1 | |
| 7 | 95380-06700-00 | NUT | 1 | |
| 8 | 6G1-42719-81-00 | PANEL, FRONT LOWER | 1 | |
| 9 | 6G1-42767-00-00 | BRACKET | 1 | |
| 10 | 90149-05M02-00 | SCREW | 3 | |
| 11 | 95303-05700-00 | .NUT | 1 | |
| 12 | 6G1-42724-00-00 | GROMMET | 1 | |
| 13 | 6G1-42725-00-00 | GROMMET | 1 | |
| 14 | 6G1-42726-00-00 | GROMMET | 1 | |
| 15 | 6G1-42727-00-00 | GROMMET | 1 | |
| 16 | 6G1-42748-00-00 | GROMMET | 1 | |
| 17 | 6G1-26326-00-00 | GROMMET | 1 | |
| 18 | 90480-15M31-00 | GROMMET | 4 | |
| 19 | 90387-06M52-00 | COLLAR | 4 | |
| 20 | 90105-06M15-00 | BOLT, FLANGE | 4 | |
| 21 | 6G1-42716-00-00 | RUBBER, SEAL 1 | 1 | |
| 22 | 6E9-82575-01-00 | ENGINE STOP SWITCH ASSEMBLY | 1 | |
| 23 | 682-82556-00-00 | .LANYARD, STOP SWITCH | 1 | |
| 24 | 6A1-42792-01-00 | MARK (100:1) | 1 | |

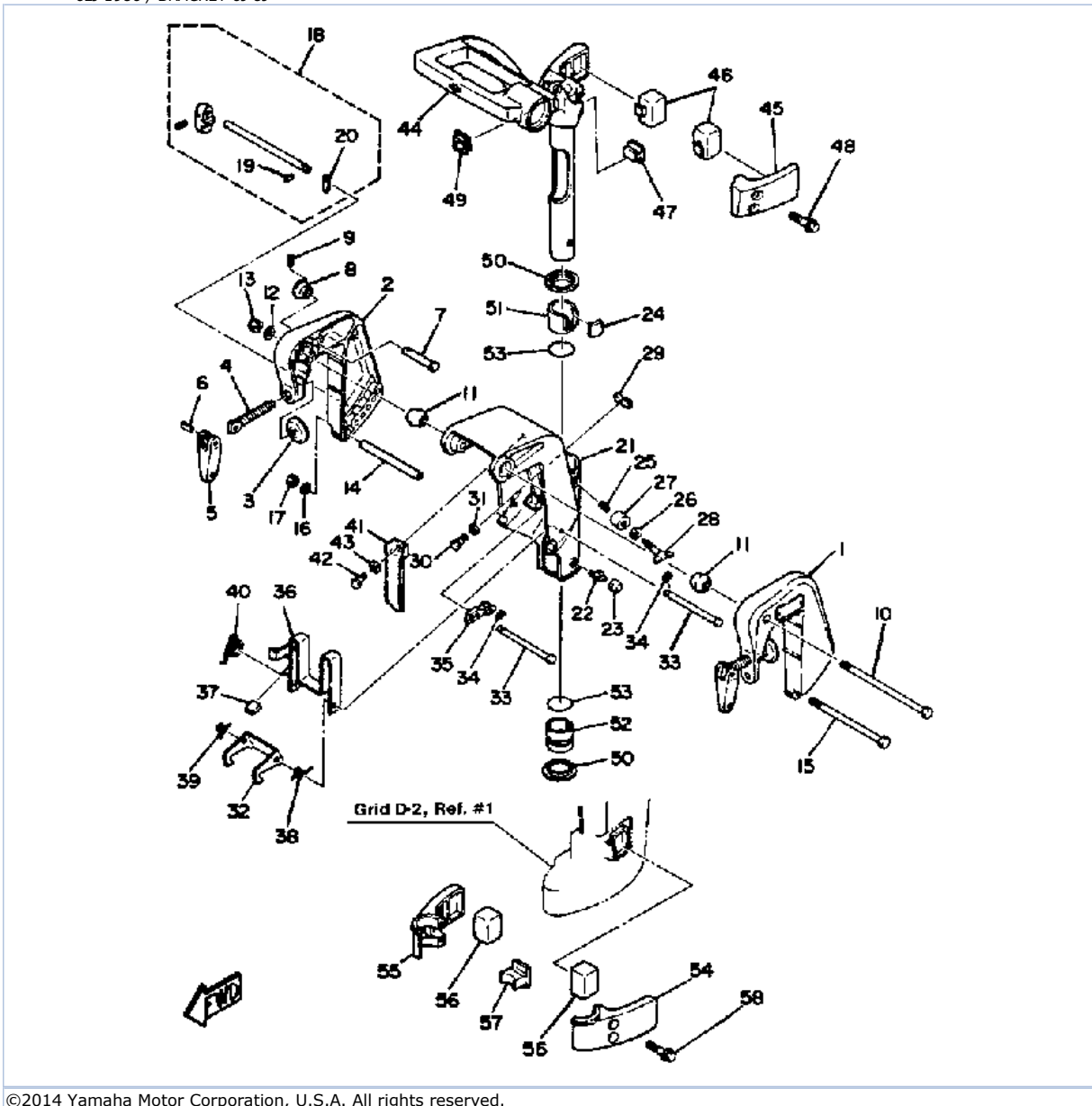
Part Notes

6LJ 1986 / BOTTOM COWLING

| PART NUMBER | NOTE TEXT |
|---|--|
| 682-82556-00-00  | OEM: This part number is among the Top 100 Most Popular Marine Maintenance Parts as of March 2014. |

©2014 Yamaha Motor Corporation, U.S.A. All rights reserved.

6LJ 1986 / BRACKET 6J 8J



©2014 Yamaha Motor Corporation, U.S.A. All rights reserved.

Part List



6LJ 1986 / BRACKET 6J 8J

| REF - NO | PART NUMBER | PART NAME | QUANTITY | REMARKS |
|----------|-------------------|-------------------------------------|----------|---------|
| 1 | 6A1-43113-01-00 | PLATE, CLAMP BRACKET | 1 | |
| 1 | 99999-01765-00 | BRACKET, CLAMP (6G1) | 1 | |
| 1 | 6G1-43111-02-EK | BRACKET, CLAMP | 1 | |
| 1 | 90101-08M08-00 | BOLT | 1 | |
| 2 | 6G1-43112-09-EK | BRACKET, CLAMP | 1 | |
| 3 | 648-43114-01-00 | PAD, TRANSOM CLAMP | 2 | |
| 4 | 6G1-43116-02-00 | SCREW, TRANSOM CLAMP | 2 | |
| 5 | 6E0-43118-00-00 | HANDLE, TRANSOM CLP | 2 | |
| 6 | 90254-04M00-00 | PIN, SPRING TYPE | 2 | |
| 7 | 689-43191-00-00 | SHAFT, STOPPER | 1 | |
| 8 | 689-43192-01-00 | KNOB, STOPPER | 1 | |
| 9 | 91690-30016-00 | PIN, SPRING | 1 | |
| 10 | 90101-08M08-00 | BOLT | 1 | |
| 11 | 6G8-43136-00-00 | PIECE, FRICTION | 2 | |
| 12 | 6A1-43113-01-00 | PLATE, CLAMP BRACKET | 1 | |
| 13 | 95780-08300-00 | ..NUT, FLANGE | 1 | |
| 14 | 90387-06M13-00 | COLLAR | 1 | |
| 15 | 97395-06135-00 | BOLT, HEXAGON | 1 | |
| 16 | 92990-06600-00 | WASHER, PLATE | 1 | |
| 17 | 95380-06600-00 | NUT, HEXAGON | 1 | |
| 18 | 6G1-43160-00-00 | TILT ROD ASSEMBLY | 1 | |
| 19 | 91690-30008-00 | .PIN, SPRING | 1 | |
| 20 | 689-43165-00-00 | .PLATE, TILT LOCK | 1 | |
| 21 | 6G1-43311-13-EK | BRACKET, SWIVEL 1 | 1 | |
| 22 | 93700-06M03-00 | NIPPLE, GREASE | 1 | |
| 23 | 663-45119-00-00 | CAP, GREASE NIPPLE | 1 | |
| 24 | 6G1-42528-00-00 | PLATE, FRICTION | 1 | |
| 25 | 90501-18M00-00 | SPRING, COMPRESSION | 1 | |
| 26 | 92990-08600-00 | ..WASHER, PLATE | 1 | |
| 27 | 6G1-43373-00-00 | SEAL, DAMPER | 1 | |
| 28 | 6G1-42529-00-00 | SCREW, FRICTION PIECE | 1 | |
| 29 | 6G1-44532-00-00 | STOPPER, UPPER MOUNT | 1 | |
| 30 | 97395-06010-00 | BOLT | 1 | |
| 31 | 92990-06600-00 | WASHER, PLATE | 1 | |
| 32 | 6G1-43614-00-00 | PLATE, TILT LOCK | 1 | |
| 33 | 6G1-43659-00-00 | SHAFT, REVERSE LOCK | 2 | |
| 34 | 93430-05027-00 | CIRCLIP | 2 | |
| 35 | 6G1-43615-01-00 | PLATE, TILT LOCK | 1 | |
| 36 | 6G1-43681-00-00 | LEVER, SHALLOW WATER DRIVE 1 | 1 | |
| 37 | 6G1-43318-01-00 | COVER | 1 | |
| 38 | 90508-10M15-00 | SPRING, TORSION | 1 | |
| 39 | 90508-10M16-00 | SPRING, TORSION | 1 | |
| 40 | 90508-14M17-00 | SPRING, TORSION | 1 | |
| 41 | (6G1-42731-00-36) | CARRYING, HANDLE | 1 | |
| 42 | 97395-08016-00 | BOLT | 1 | |
| 43 | 92990-08600-00 | ..WASHER, PLATE | 1 | |
| 44 | 6G1-42511-04-EK | BRACKET, STEERING (6G1-42511-03-EK) | 1 | |
| 45 | 6G1-44511-00-EK | COVER, UPPER MT. | 1 | |
| 46 | 6G1-44514-00-00 | MOUNT DAMPER, UPPER SIDE | 2 | |
| 47 | 6G1-44516-00-00 | MOUNT DAMPER, UPPER FRONT | 1 | |
| 48 | 95895-06035-00 | BOLT, FLANGE | 2 | |
| 49 | 6G1-42551-00-00 | GROMMET | 1 | |
| 50 | 6G1-42535-00-00 | WASHER, THRUST | 2 | |
| 51 | 6G1-42537-00-00 | BUSHING, PIVOT SHAFT | 1 | |
| 52 | 6G1-42538-00-00 | BUSHING, PIVOT SHFT 2 | 1 | |
| 53 | 93210-30M31-00 | O-RING | 2 | |
| 54 | 6G1-44551-01-EK | HOUSING, LWR MOUNT LOWER MOUNT | 1 | |

| | | | | |
|----|-----------------|---------------------------|---|--|
| 55 | 6G1-44552-02-EK | HOUSING, LWR MOUNT RUBBER | 1 | |
| 56 | 6G1-44555-A0-00 | MOUNT DAMPER, LOWER SIDE | 2 | |
| 57 | 6G1-44557-00-00 | MOUNT DAMPER, LOWER FRONT | 1 | |
| 58 | 95895-06035-00 | BOLT, FLANGE | 2 | |

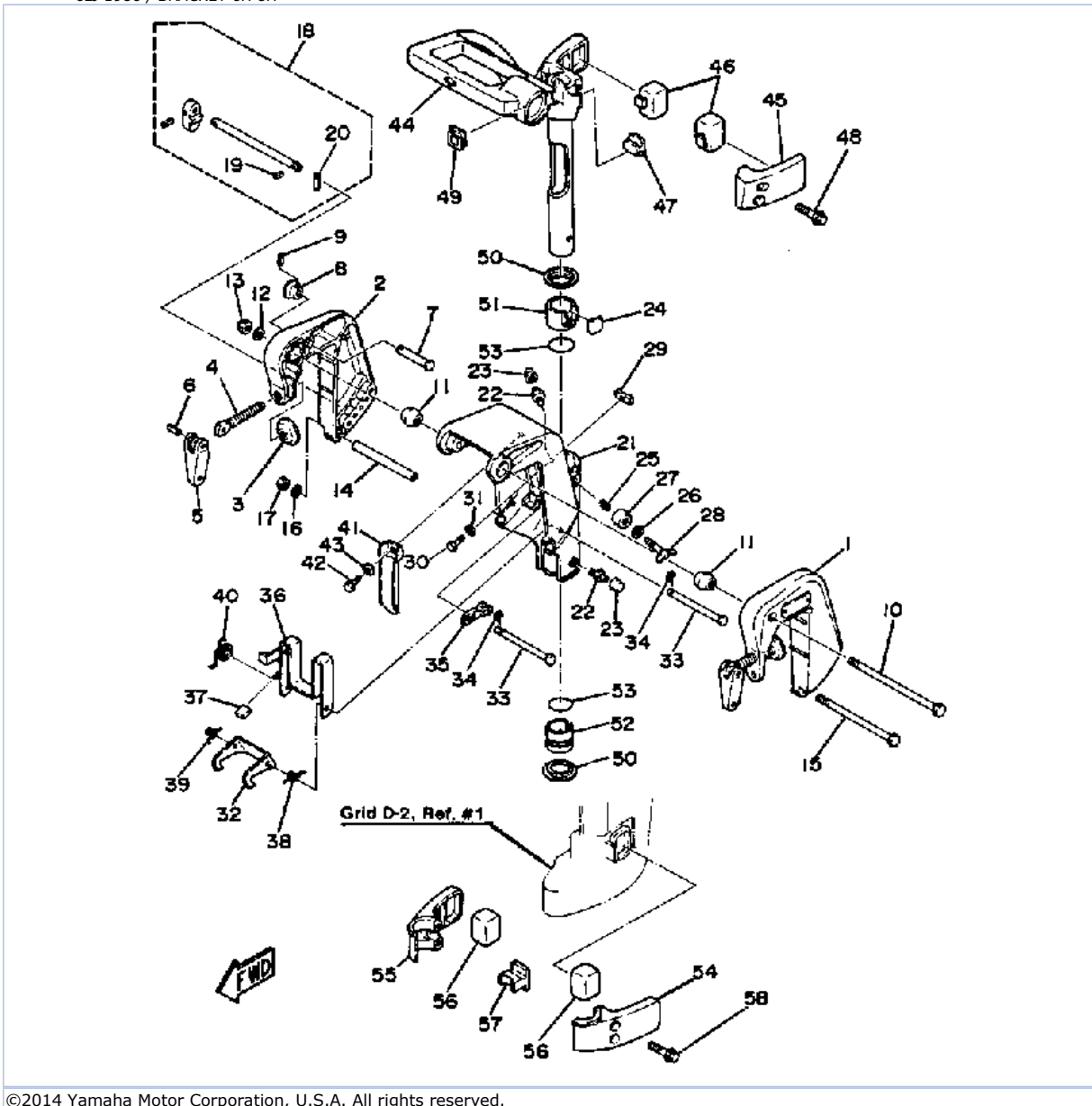
Part Notes

6LJ 1986 / BRACKET 6J 8J

| PART NUMBER | | NOTE TEXT |
|----------------|---|--|
| 92990-06600-00 |  | OEM: This part number is among the Top 100 Most Popular Marine Maintenance Parts as of March 2014. |
| 92990-06600-00 |  | OEM: This part number is among the Top 100 Most Popular Marine Maintenance Parts as of March 2014. |

©2014 Yamaha Motor Corporation, U.S.A. All rights reserved.

6LJ 1986 / BRACKET 6H 8H



©2014 Yamaha Motor Corporation, U.S.A. All rights reserved.

Part List



6LJ 1986 / BRACKET 6H 8H

| REF - NO | PART NUMBER | PART NAME | QUANTITY | REMARKS |
|----------|-------------------|-------------------------------------|----------|---------|
| 1 | 6A1-43113-01-00 | PLATE, CLAMP BRACKET | 1 | |
| 1 | 99999-01765-00 | BRACKET, CLAMP (6G1) | 1 | |
| 1 | 6G1-43111-02-EK | BRACKET, CLAMP | 1 | |
| 1 | 90101-08M08-00 | BOLT | 1 | |
| 2 | 6G1-43112-09-EK | BRACKET, CLAMP | 1 | |
| 3 | 648-43114-01-00 | PAD, TRANSOM CLAMP | 1 | |
| 4 | 6G1-43116-02-00 | SCREW, TRANSOM CLAMP | 2 | |
| 5 | 6E0-43118-00-00 | HANDLE, TRANSOM CLP | 2 | |
| 6 | 90254-04M00-00 | PIN, SPRING TYPE | 2 | |
| 7 | 689-43191-00-00 | SHAFT, STOPPER | 1 | |
| 8 | 689-43192-01-00 | KNOB, STOPPER | 1 | |
| 9 | 91690-30016-00 | PIN, SPRING | 1 | |
| 10 | 90101-08M73-00 | BOLT | 1 | |
| 11 | 6G8-43136-00-00 | PIECE, FRICTION | 2 | |
| 12 | 92990-08600-00 | ..WASHER, PLATE | 1 | |
| 13 | 95780-08300-00 | ..NUT, FLANGE | 1 | |
| 14 | 90387-06M13-00 | COLLAR | 1 | |
| 15 | 97395-06135-00 | BOLT, HEXAGON | 1 | |
| 16 | 92990-06600-00 | WASHER, PLATE | 1 | |
| 17 | 95380-06600-00 | NUT, HEXAGON | 1 | |
| 18 | 6G1-43160-00-00 | TILT ROD ASSEMBLY | 1 | |
| 19 | 91690-30008-00 | .PIN, SPRING | 1 | |
| 20 | 689-43165-00-00 | .PLATE, TILT LOCK | 1 | |
| 21 | 6G1-43311-13-EK | BRACKET, SWIVEL 1 | 1 | |
| 22 | 93700-06M03-00 | NIPPLE, GREASE | 2 | |
| 23 | 663-45119-00-00 | CAP, GREASE NIPPLE | 2 | |
| 24 | 6G1-42528-00-00 | PLATE, FRICTION | 1 | |
| 25 | 90501-18M00-00 | SPRING, COMPRESSION | 1 | |
| 26 | 92990-08600-00 | ..WASHER, PLATE | 1 | |
| 27 | 6G1-43373-00-00 | SEAL, DAMPER | 1 | |
| 28 | 6G1-42529-00-00 | SCREW, FRICTION PIECE | 1 | |
| 29 | 6G1-44532-00-00 | STOPPER, UPPER MOUNT | 1 | |
| 30 | 97395-06010-00 | BOLT | 1 | |
| 31 | 92990-06600-00 | WASHER, PLATE | 1 | |
| 32 | 6G1-43614-00-00 | PLATE, TILT LOCK | 1 | |
| 33 | 6G1-43659-00-00 | SHAFT, REVERSE LOCK | 2 | |
| 34 | 93430-05027-00 | CIRCLIP | 2 | |
| 35 | 6G1-43615-01-00 | PLATE, TILT LOCK | 1 | |
| 36 | 6G1-43681-00-00 | LEVER, SHALLOW WATER DRIVE 1 | 1 | |
| 37 | 6G1-43318-01-00 | COVER | 1 | |
| 38 | 90508-10M15-00 | SPRING, TORSION | 1 | |
| 39 | 90508-10M16-00 | SPRING, TORSION | 1 | |
| 40 | 90508-14M17-00 | SPRING, TORSION | 1 | |
| 41 | (6G1-42731-00-36) | CARRYING, HANDLE | 1 | |
| 42 | 97395-08016-00 | BOLT | 1 | |
| 43 | 92990-08600-00 | ..WASHER, PLATE | 1 | |
| 44 | 6G1-42511-04-EK | BRACKET, STEERING (6G1-42511-03-EK) | 1 | |
| 45 | 6G1-44511-00-EK | COVER, UPPER MT. | 1 | |
| 46 | 6G1-44514-00-00 | MOUNT DAMPER, UPPER SIDE | 2 | |
| 47 | 6G1-44516-00-00 | MOUNT DAMPER, UPPER FRONT | 1 | |
| 48 | 95895-06035-00 | BOLT, FLANGE | 2 | |
| 49 | 6G1-42551-00-00 | GROMMET | 1 | |
| 50 | 6G1-42535-00-00 | WASHER, THRUST | 2 | |
| 51 | 6G1-42537-00-00 | BUSHING, PIVOT SHAFT | 1 | |
| 52 | 6G1-42538-00-00 | BUSHING, PIVOT SHFT 2 | 1 | |
| 53 | 93210-30M31-00 | O-RING | 2 | |
| 54 | 6G1-44551-01-EK | HOUSING, LWR MOUNT LOWER MOUNT | 1 | |

| | | | | |
|----|-----------------|---------------------------|---|--|
| 55 | 6G1-44552-02-EK | HOUSING, LWR MOUNT RUBBER | 1 | |
| 56 | 6G1-44555-A0-00 | MOUNT DAMPER, LOWER SIDE | 2 | |
| 57 | 6G1-44557-00-00 | MOUNT DAMPER, LOWER FRONT | 1 | |
| 58 | 95895-06035-00 | BOLT, FLANGE | 2 | |

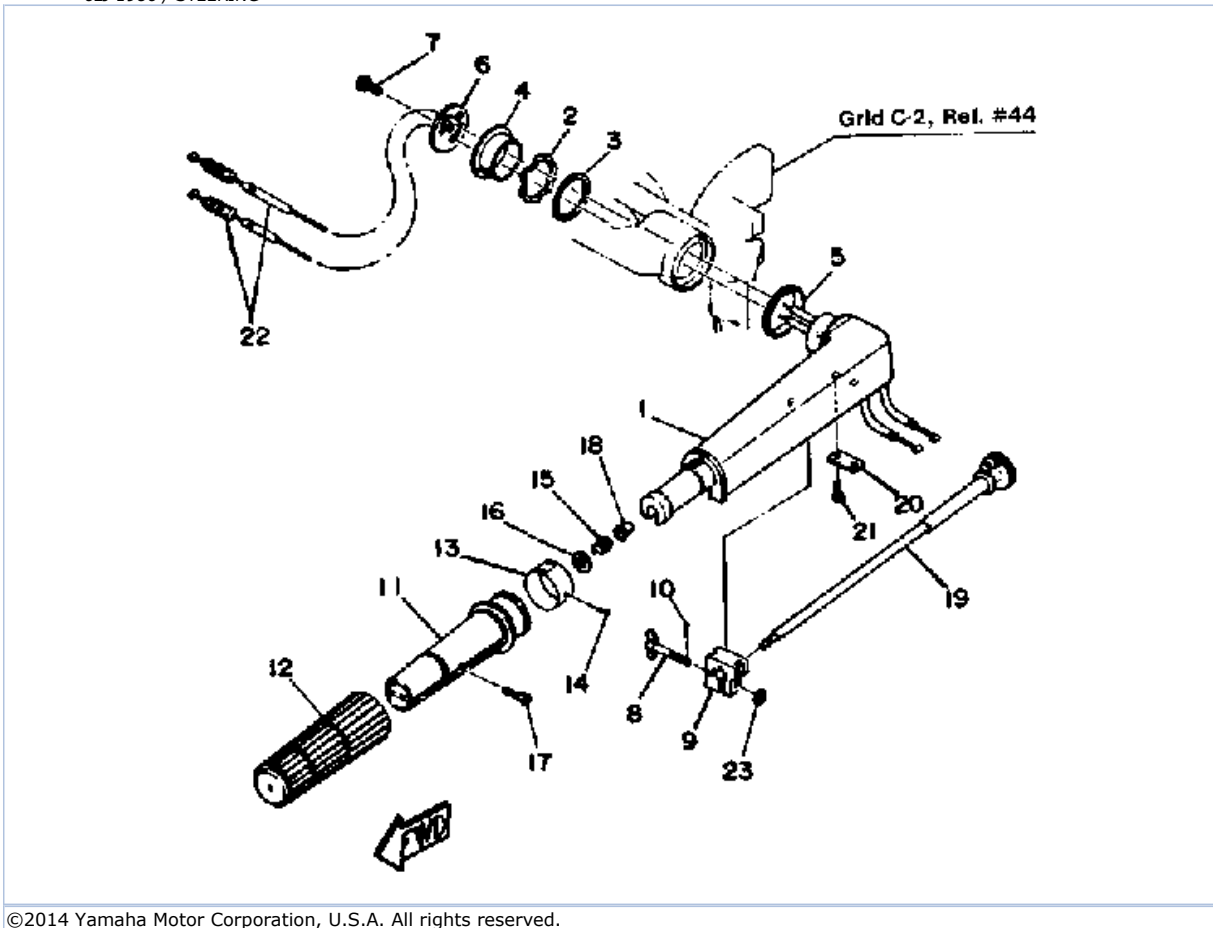
Part Notes

6LJ 1986 / BRACKET 6H 8H

| PART NUMBER | | NOTE TEXT |
|----------------|---|--|
| 92990-06600-00 |  | OEM: This part number is among the Top 100 Most Popular Marine Maintenance Parts as of March 2014. |
| 92990-06600-00 |  | OEM: This part number is among the Top 100 Most Popular Marine Maintenance Parts as of March 2014. |

©2014 Yamaha Motor Corporation, U.S.A. All rights reserved.

6LJ 1986 / STEERING



©2014 Yamaha Motor Corporation, U.S.A. All rights reserved.


Part List

6LJ 1986 / STEERING

| REF - NO | PART NUMBER | PART NAME | QUANTITY | REMARKS |
|----------------|-----------------|-----------------------------------|----------|---------|
| 1 | 6G1-42111-03-EK | HANDLE, STEERING | 1 | |
| 2 | 90206-35M20-00 | WASHER, WAVE | 1 | |
| 3 | 90202-35M24-00 | WASHER, PLATE | 1 | |
| 4 | 90386-34M40-00 | BUSH | 1 | |
| 5 | 90386-43M55-00 | BUSHING | 1 | |
| 6 | 6G1-42131-01-00 | COVER, HANDLE STEERING | 1 | |
| 7 | 97395-06016-00 | BOLT, HEX | 1 | |
| 8 | 6G1-42125-00-00 | BOLT, FRICTION ADJUSTING. | 1 | |
| 9 | 6G1-42126-00-00 | FRICTION, STEERING HANDLE GRIP | 1 | |
| 10 | 91490-16010-00 | PIN. COTTER | 1 | |
| 11 | 664-42119-00-00 | GRIP, STEERING HANDLE | 1 | |
| 12 | 6G1-42177-00-00 | RUBBER, HANDLE | 1 | |
| 13 | 6G1-42137-10-00 | INDICATOR, THROTTLE | 1 | |
| 14 | 90269-02M09-00 | RIVET | 1 | |
| 15 | 90501-23215-00 | SPRING, COMPRESSION | 1 | |
| 16 | 92990-10600-00 | WASHER, PLATE | 1 | |
| 17 | 98680-05525-00 | SCREW.OVAL HEAD | 1 | |
| 18 | 90386-08032-00 | BUSH | 1 | |
| 19 | 6G1-42138-01-00 | LEVER, THROTTLE | 1 | |
| 20 | 6E0-42159-02-00 | STAY | 1 | |
| 21 | 98580-05012-00 | .SCREW, PAN HEAD | 2 | |
| 22 | 6G1-26301-02-00 | THROTTLE CABLE ASSEMBLY | 2 | |
| 23 | 90202-05088-00 | WASHER, PLATE | 1 | |

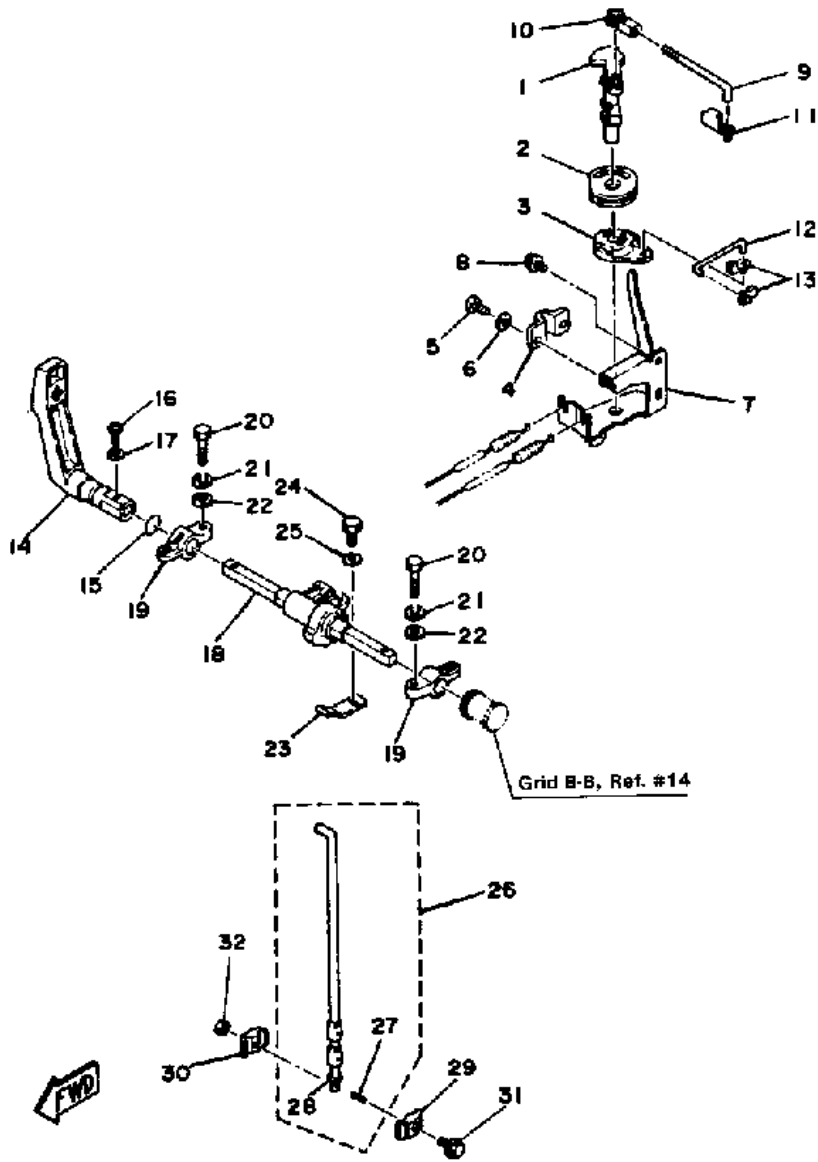
Part Notes

6LJ 1986 / STEERING

| PART NUMBER | NOTE TEXT |
|--|--|
| 92990-10600-00  | OEM: This part number is among the Top 100 Most Popular Marine Maintenance Parts as of March 2014. |

©2014 Yamaha Motor Corporation, U.S.A. All rights reserved.

6LJ 1986 / CONTROL ENGINE 6J 8J



©2014 Yamaha Motor Corporation, U.S.A. All rights reserved.




Part List

6LJ 1986 / CONTROL ENGINE 6J 8J

| REF - NO | PART NUMBER | PART NAME | QUANTITY | REMARKS |
|----------|-------------------|------------------------|----------|----------|
| 1 | 6G1-41631-00-00 | LEVER, MAGNETO CONTROL | 1 | |
| 2 | 6G1-41638-00-00 | PULLEY | 1 | |
| 3 | 6G1-41283-01-00 | LEVER, FREE ACCEL. | 1 | |
| 4 | 6G1-41661-00-00 | BRACKET 1 | 1 | |
| 5 | 98580-05010-00 | .SCREW, PAN HEAD | 2 | |
| 6 | 92990-05100-00 | .WASHER, SPRING | 2 | |
| 7 | 6G1-14497-80-00 | STAY, THROTTLE WIRE | 1 | |
| 8 | 90105-06M23-00 | .BOLT FLANGE | 2 | |
| 9 | 6G1-41238-00-00 | JOINT, LINK | 1 | |
| 10 | 6H1-41237-00-00 | JOINT, LINK | 1 | |
| 11 | 6R5-41237-00-00 | JOINT, LINK | 1 | |
| 12 | 6G1-41211-00-00 | LINK, ACCEL. | 1 | |
| 13 | 661-41262-02-00 | JOINT, CHOKE LEVER | 2 | |
| 14 | 6G1-44111-00-00 | HANDLE, GEAR SHIFT | 1 | |
| 15 | 93210-12790-00 | O-RING | 1 | |
| 16 | 98580-05016-00 | SCREW, PAN HEAD | 1 | |
| 17 | 92990-05600-00 | WASHER, PLATE | 1 | |
| 18 | 6G1-44121-01-00 | LEVER, SHIFT ROD | 1 | |
| 19 | 6G1-41662-01-94 | BRACKET 2 | 2 | SEE NOTE |
| 19 | (6G1-41662-00-00) | BRACKET 2 | 2 | |
| 20 | 97313-06020-00 | BOLT, HEXAGON | 2 | SEE NOTE |
| 20 | 97313-06018-00 | BOLT | 2 | |
| 21 | 92990-06600-00 | WASHER, PLATE | 2 | SEE NOTE |
| 21 | 92995-06100-00 | WASHER, SPRING | 2 | |
| 22 | 92990-06200-00 | WASHER, PLAIN | 2 | |
| 23 | 6G1-44116-01-00 | SPRING | 1 | |
| 24 | 97395-06012-00 | BOLT | 1 | |
| 25 | 92990-06600-00 | WASHER, PLATE | 1 | |
| 26 | 6G1-44110-00-00 | SHIFT ROD ASSEMBLY | 1 | |
| 27 | 91690-20010-00 | PIN, SPRING | 1 | |
| 28 | 92990-05600-00 | WASHER, PLATE | 1 | |
| 29 | 6G1-44145-00-00 | CONNECTOR, SHIFT ROD | 1 | |
| 30 | 6G1-44146-00-00 | CONNECTOR, SHIFT ROD | 1 | |
| 31 | 90109-06M17-00 | BOLT | 1 | |
| 32 | 95380-06600-00 | NUT, HEXAGON | 1 | |

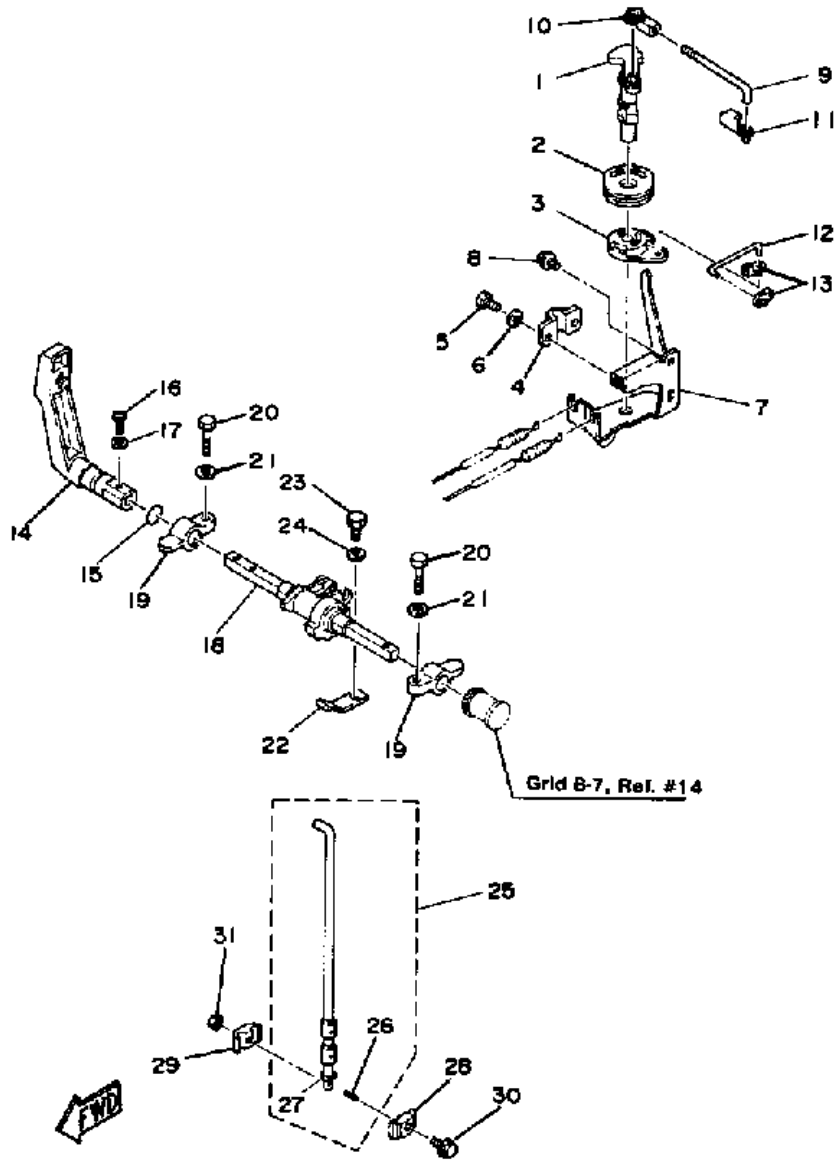
Part Notes

6LJ 1986 / CONTROL ENGINE 6J 8J

| PART NUMBER | | NOTE TEXT |
|-----------------|---|--|
| 6H1-41237-00-00 |  | OEM: This part number is among the Top 100 Most Popular Marine Maintenance Parts as of March 2014. |
| 92990-06600-00 |  | OEM: This part number is among the Top 100 Most Popular Marine Maintenance Parts as of March 2014. |
| 92990-06600-00 |  | OEM: This part number is among the Top 100 Most Popular Marine Maintenance Parts as of March 2014. |

©2014 Yamaha Motor Corporation, U.S.A. All rights reserved.

6LJ 1986 / CONTROL ENGINE 6H 8H



©2014 Yamaha Motor Corporation, U.S.A. All rights reserved.




Part List

6LJ 1986 / CONTROL ENGINE 6H 8H

| REF - NO | PART NUMBER | PART NAME | QUANTITY | REMARKS |
|----------|-----------------|------------------------|----------|---------|
| 1 | 6G1-41631-00-00 | LEVER, MAGNETO CONTROL | 1 | |
| 2 | 6G1-41638-00-00 | PULLEY | 1 | |
| 3 | 6G1-41283-01-00 | LEVER, FREE ACCEL. | 1 | |
| 4 | 6G1-41661-00-00 | BRACKET 1 | 1 | |
| 5 | 98580-05010-00 | .SCREW, PAN HEAD | 2 | |
| 6 | 92990-05100-00 | .WASHER, SPRING | 2 | |
| 7 | 6G1-14497-80-00 | STAY, THROTTLE WIRE | 1 | |
| 8 | 90105-06M23-00 | .BOLT FLANGE | 2 | |
| 9 | 6G1-41238-00-00 | JOINT, LINK | 1 | |
| 10 | 6H1-41237-00-00 | JOINT, LINK | 1 | |
| 11 | 6R5-41237-00-00 | JOINT, LINK | 1 | |
| 12 | 6G1-41211-00-00 | LINK, ACCEL. | 1 | |
| 13 | 661-41262-02-00 | JOINT, CHOKE LEVER | 2 | |
| 14 | 6G1-44111-00-00 | HANDLE, GEAR SHIFT | 1 | |
| 15 | 93210-12790-00 | O-RING | 1 | |
| 16 | 98580-05016-00 | SCREW, PAN HEAD | 1 | |
| 17 | 92990-05600-00 | WASHER, PLATE | 1 | |
| 18 | 6G1-44121-01-00 | LEVER, SHIFT ROD | 1 | |
| 19 | 6G1-41662-01-94 | BRACKET 2 | 2 | |
| 20 | 97313-06020-00 | BOLT, HEXAGON | 2 | |
| 21 | 92990-06600-00 | WASHER, PLATE | 2 | |
| 22 | 6G1-44116-01-00 | SPRING | 1 | |
| 23 | 97395-06012-00 | BOLT | 1 | |
| 24 | 92990-06600-00 | WASHER, PLATE | 1 | |
| 25 | 6G1-44110-00-00 | SHIFT ROD ASSEMBLY | 1 | |
| 26 | 91690-20010-00 | PIN, SPRING | 1 | |
| 27 | 92990-05600-00 | WASHER, PLATE | 1 | |
| 28 | 6G1-44145-00-00 | CONNECTOR, SHIFT ROD | 1 | |
| 29 | 6G1-44146-00-00 | CONNECTOR, SHIFT ROD | 1 | |
| 30 | 90109-06M17-00 | BOLT | 1 | |
| 31 | 95380-06600-00 | NUT, HEXAGON | 1 | |

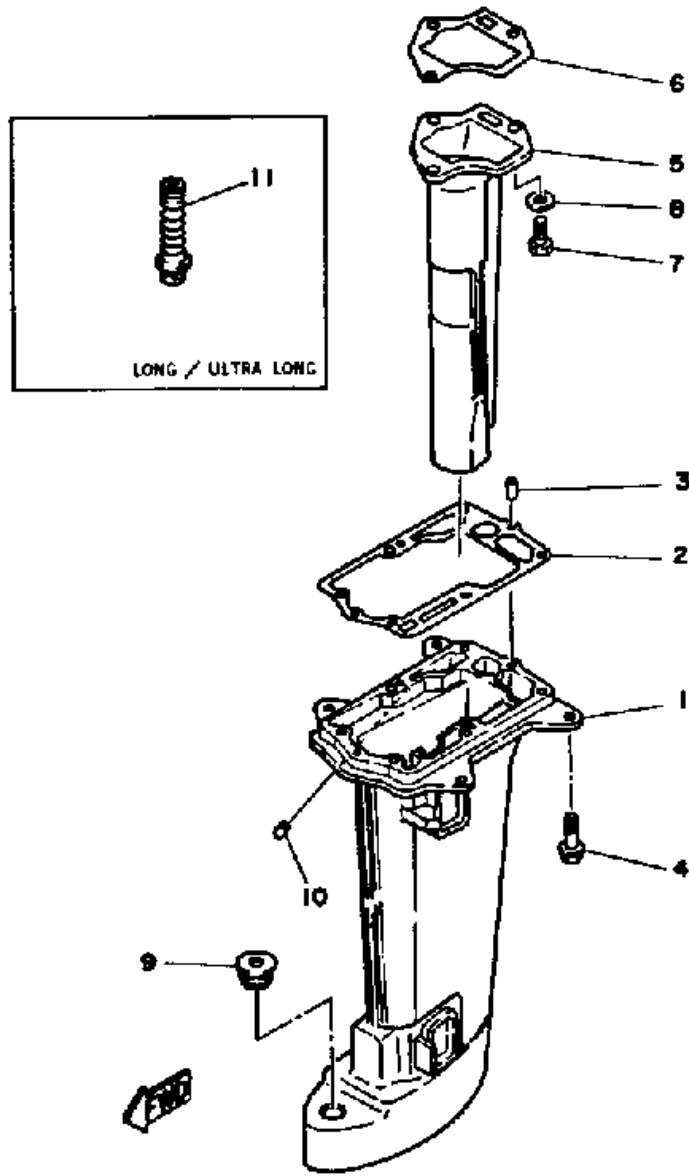
Part Notes

6LJ 1986 / CONTROL ENGINE 6H 8H

| PART NUMBER | | NOTE TEXT |
|-----------------|---|--|
| 6H1-41237-00-00 |  | OEM: This part number is among the Top 100 Most Popular Marine Maintenance Parts as of March 2014. |
| 92990-06600-00 |  | OEM: This part number is among the Top 100 Most Popular Marine Maintenance Parts as of March 2014. |
| 92990-06600-00 |  | OEM: This part number is among the Top 100 Most Popular Marine Maintenance Parts as of March 2014. |

©2014 Yamaha Motor Corporation, U.S.A. All rights reserved.

6LJ 1986 / UPPER CASING



©2014 Yamaha Motor Corporation, U.S.A. All rights reserved.


Part List

6LJ 1986 / UPPER CASING

| REF - NO | PART NUMBER | PART NAME | QUANTITY | REMARKS |
|----------------|-----------------|----------------------|----------|--------------|
| 1 | 6G1-45111-01-EK | CASING, UPPER | 1 | U.R. SHORT |
| 1 | 6G1-45111-11-EK | CASING, UPPER | 1 | U.R. LONG |
| 2 | 6G1-45113-A1-00 | GASKET, UPPER CASING | 1 | |
| 3 | 93604-08062-00 | PIN, DOWEL | 2 | |
| 4 | 95895-06030-00 | BOLT, FLANGE | 6 | |
| 5 | 6H6-41131-00-5B | MANIFOLD, EXT. 1 | 1 | U.R. 6 MODEL |
| 5 | 6G1-41131-00-5B | MANIFOLD, EXT. 1 | 1 | U.R. 8 MODEL |
| 6 | 6G1-41133-00-00 | GASKET, EXH MANI 1 | 1 | |
| 7 | 97395-06020-00 | BOLT, HEXAGON | 3 | |
| 8 | 92990-06600-00 | WASHER, PLATE | 3 | |
| 9 | 90480-20M29-00 | GROMMET | 1 | |
| 10 | 6G1-45135-00-00 | PIPE | 1 | |
| 11 | 6G1-44147-00-00 | .BOOT, SHIFT ROD | 1 | LONG |

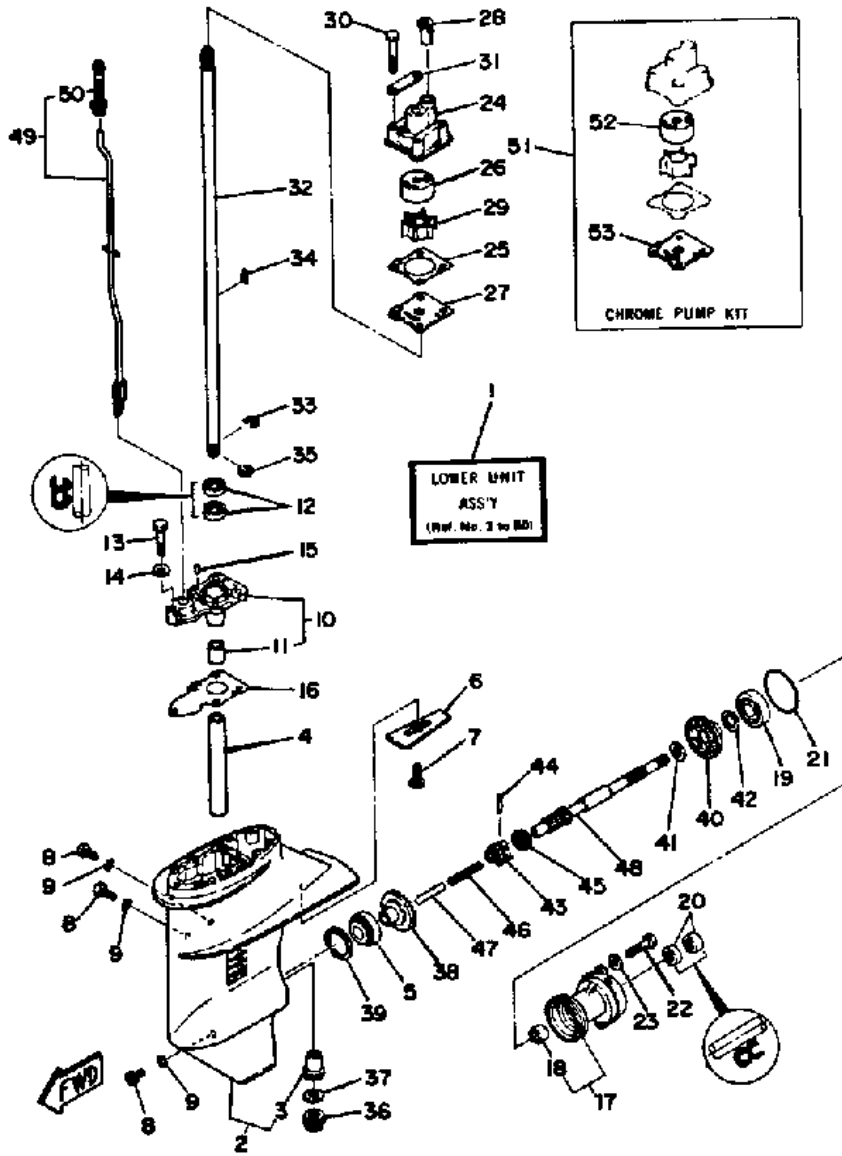
Part Notes

6LJ 1986 / UPPER CASING

| PART NUMBER | NOTE TEXT |
|--|--|
| 92990-06600-00  | OEM: This part number is among the Top 100 Most Popular Marine Maintenance Parts as of March 2014. |

©2014 Yamaha Motor Corporation, U.S.A. All rights reserved.

6LJ 1986 / LOWER DRIVE 1



©2014 Yamaha Motor Corporation, U.S.A. All rights reserved.

Part List




6LJ 1986 / LOWER DRIVE 1

| REF - NO | PART NUMBER | PART NAME | QUANTITY | REMARKS |
|----------|-----------------|-------------------------|----------|------------|
| 1 | 6G1-45300-03-EK | LOWER UNIT ASSEMBLY | 1 | U.R SHORT |
| 1 | 6G1-45300-13-EK | LOWER UNIT ASSEMBLY | 1 | U.R. LONG |
| 2 | 6G1-45311-01-EK | CASING, LOWER | 1 | |
| 3 | 6G1-45317-09-00 | .BUSHING, DRIVE SHAFT | 1 | |
| 4 | 90387-14M49-00 | COLLAR | 1 | |
| 5 | 93332-000U4-00 | BEARING | 1 | |
| 6 | 6G1-45251-02-00 | ANODE | 1 | |
| 7 | 97395-06012-00 | BOLT | 1 | |
| 8 | 90340-08M04-00 | PLUG, STRAIGHT SCREW | 3 | |
| 9 | 90430-08020-00 | .GASKET | 3 | |
| 10 | 6G1-45331-01-5B | HOUSING, BEARING | 1 | |
| 11 | 6G1-45316-09-00 | .BUSHING, DRIVE SHAFT | 1 | |
| 12 | 93101-11M23-00 | .OIL SEAL | 2 | |
| 13 | 97395-06030-00 | BOLT | 1 | |
| 14 | 92990-06600-00 | WASHER, PLATE | 1 | |
| 15 | 93604-08062-00 | PIN, DOWEL | 2 | |
| 16 | 6G1-45315-A0-00 | .PACKING, LOWER CASING | 1 | |
| 17 | 99999-02228-00 | CAP, LOWER CASING | 1 | |
| 18 | 6G1-45362-09-00 | .BUSHING | 1 | |
| 19 | 93306-004U0-00 | BEARING | 1 | |
| 20 | 93101-15074-00 | .OIL SEAL | 2 | |
| 21 | 93210-49046-00 | .O-RING | 1 | |
| 22 | 97395-06016-00 | BOLT, HEX | 2 | |
| 23 | 92990-06600-00 | WASHER, PLATE | 2 | |
| 24 | 6G1-44311-00-00 | HOUSING, WATER PUMP | 1 | |
| 25 | 6G1-44315-A0-00 | .GASKET, WATER PUMP | 1 | |
| 26 | 6G1-44322-00-00 | .INSERT, CARTRIDGE | 1 | |
| 27 | 6G1-44323-00-00 | .OUTER PLATE, CARTRIDGE | 1 | |
| 28 | 647-44366-00-00 | .DAMPER, WATER SEAL | 1 | |
| 29 | 6G1-44352-00-00 | .IMPELLER | 1 | |
| 30 | 97395-06045-00 | BOLT, HEXAGON | 4 | |
| 31 | 6G1-44328-00-00 | .PLATE | 2 | |
| 32 | 6G1-45511-10-00 | SHAFT, DRIVE | 1 | U.R. LONG |
| 32 | 6G1-45511-00-00 | SHAFT, DRIVE | 1 | U.R. SHORT |
| 33 | 90467-09M05-00 | CLIP | 1 | |
| 34 | 90280-03024-00 | .KEY, WOODRUFF | 1 | |
| 35 | 99009-06600-00 | CIRCLIP | 1 | |
| 36 | 6G1-45551-00-00 | PINION | 1 | |
| 37 | 6G1-45533-00-20 | SHIM (T:2.0MM) | 1 | U.R. |
| 37 | 6G1-45533-00-19 | SHIM (T:1.9MM) | 1 | U.R. |
| 37 | 6G1-45533-00-22 | SHIM (T:2.2MM) | 1 | U.R. |
| 37 | 6G1-45533-00-21 | SHIM (T:2.1MM) | 1 | U.R. |
| 38 | 6G1-45560-00-00 | GEAR | 1 | |
| 39 | 664-45587-00-08 | SHIM 3 | 1 | U.R. |
| 39 | 664-45587-01-50 | SHIM (T:0.50MM) | 1 | U.R. |
| 39 | 664-45587-01-30 | SHIM (T:0.30MM) | 1 | U.R. |
| 39 | 664-45587-01-12 | SHIM (T:0.12MM) | 1 | U.R. |
| 39 | 664-45587-00-05 | SHIM 3 | 1 | U.R. |
| 40 | 6G1-45571-00-00 | GEAR | 1 | |
| 41 | 90201-15M89-00 | WASHER, PLATE | 1 | |
| 42 | 647-45567-00-00 | SHIM (T:0.10MM) | 1 | UN |
| 43 | 6G1-45631-00-00 | CLUTCH, DOG | 1 | |
| 44 | 6G1-45632-00-00 | PIN, CROSS | 1 | |
| 45 | 654-45633-00-00 | RING, CROSS PIN | 1 | |
| 46 | 90501-12M38-00 | SPRING, COMPRESSION | 1 | |
| 47 | 6G1-45635-00-00 | PLUNGER, SHIFT | 1 | |
| 48 | 6G1-45611-01-00 | SHAFT, PROPELLER | 1 | |
| 49 | 6G1-44150-01-00 | SHIFT CAM ASSEMBLY | 1 | U.R. SHORT |
| 49 | 6G1-44150-11-00 | SHIFT CAM ASSEMBLY | 1 | U.R. LONG |
| 50 | 6G1-44147-00-00 | .BOOT, SHIFT ROD | 1 | |

| | | | | |
|----|-----------------|-------------------------|---|--|
| 51 | 6G1-W0078-0A-00 | CHROME PUMP KIT | 1 | |
| 52 | 6G1-44322-40-00 | .INSERT, CARTRIDGE | 1 | |
| 53 | 6G1-44323-40-00 | .OUTER PLATE, CARTRIDGE | 1 | |

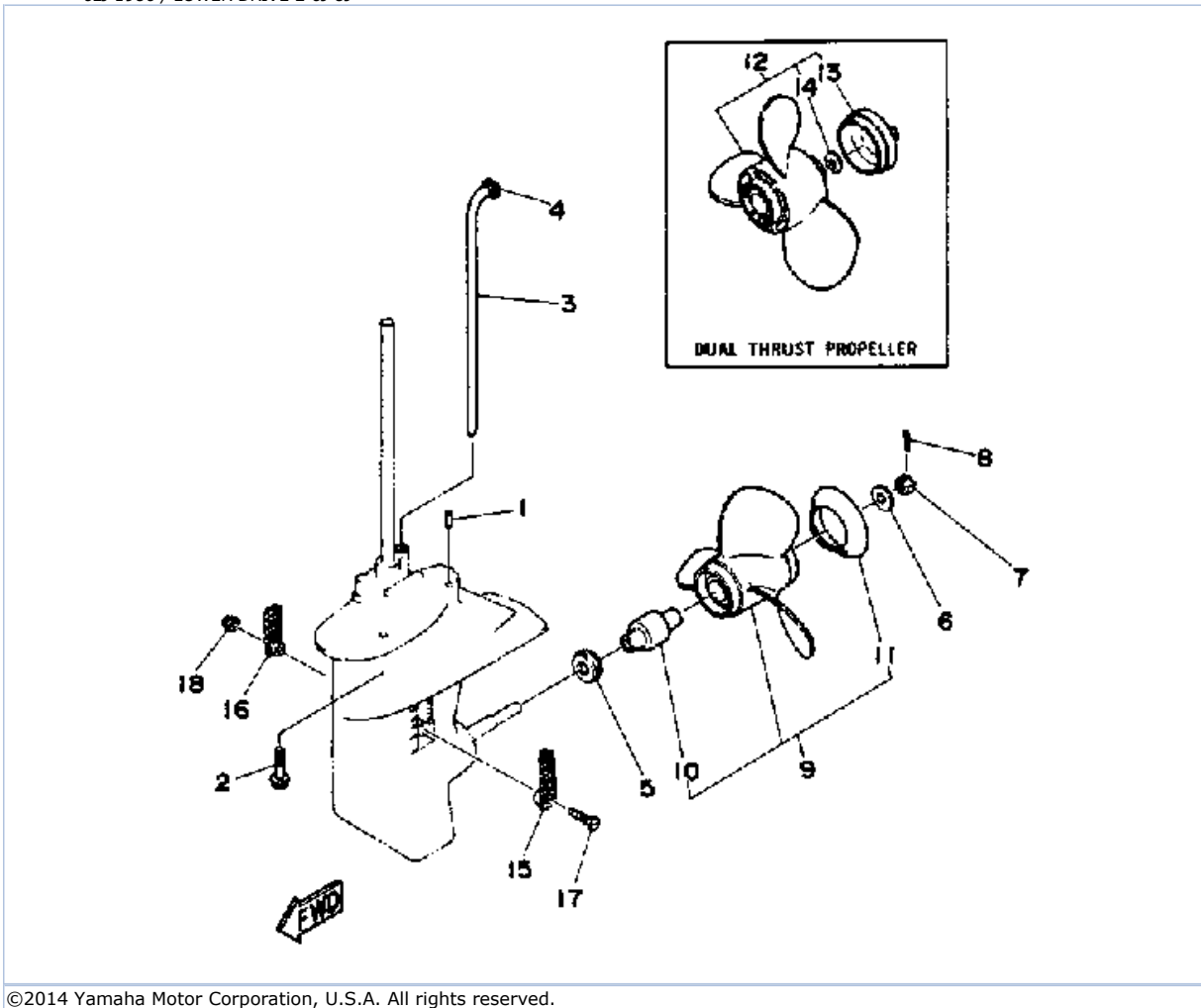
Part Notes

6LJ 1986 / LOWER DRIVE 1

| PART NUMBER | | NOTE TEXT |
|----------------|---|--|
| 90430-08020-00 |  | OEM: This part number is among the Top 100 Most Popular Marine Maintenance Parts as of March 2014. |
| 92990-06600-00 |  | OEM: This part number is among the Top 100 Most Popular Marine Maintenance Parts as of March 2014. |
| 92990-06600-00 |  | OEM: This part number is among the Top 100 Most Popular Marine Maintenance Parts as of March 2014. |

©2014 Yamaha Motor Corporation, U.S.A. All rights reserved.

6LJ 1986 / LOWER DRIVE 2 6J 8J



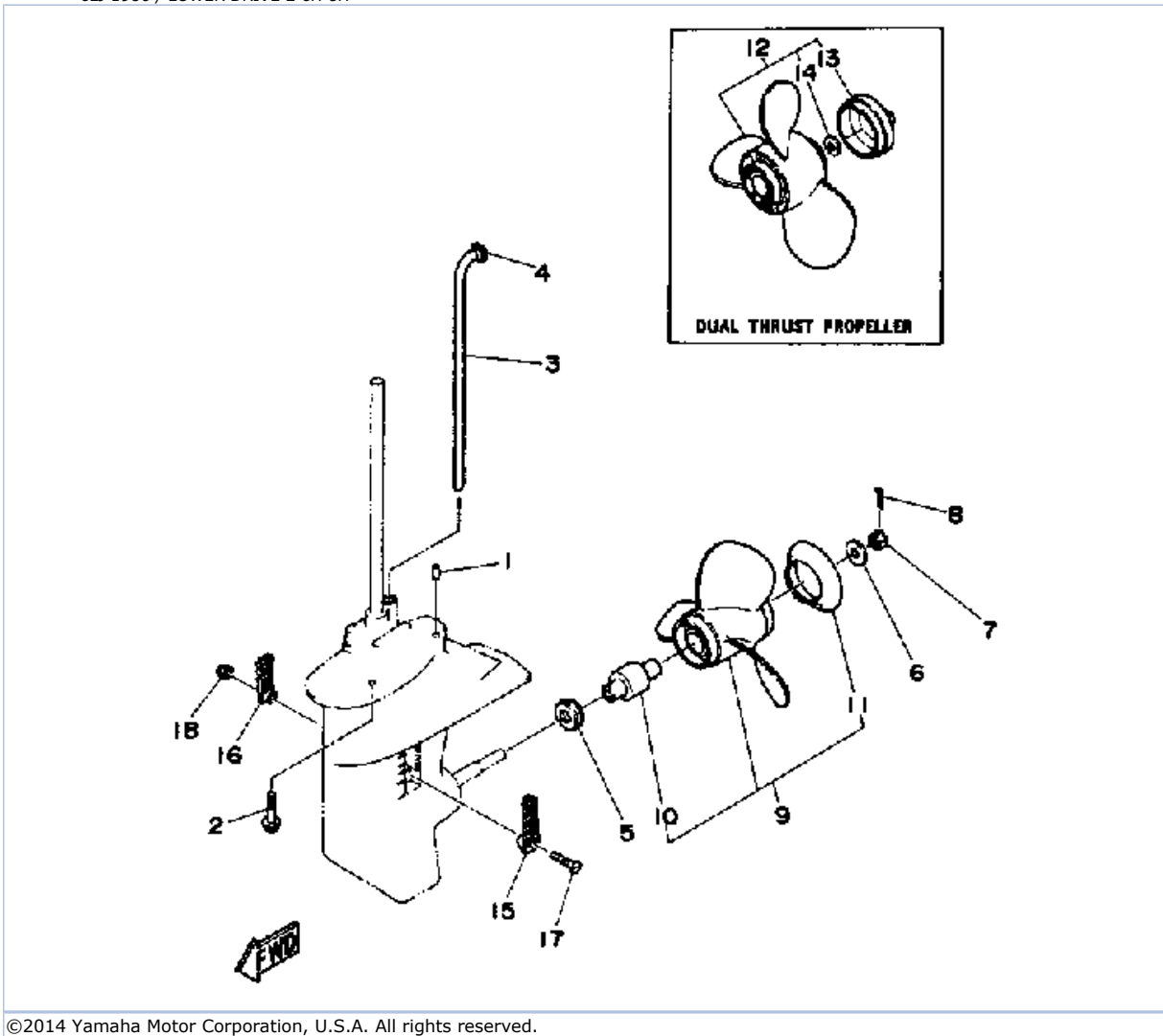
©2014 Yamaha Motor Corporation, U.S.A. All rights reserved.

Part List

6LJ 1986 / LOWER DRIVE 2 6J 8J

| REF - NO | PART NUMBER | PART NAME | QUANTITY | REMARKS |
|----------------|-------------------|-------------------------------|----------|------------|
| 1 | 93604-08062-00 | PIN, DOWEL | 2 | |
| 2 | 95895-06030-00 | BOLT, FLANGE | 4 | |
| 3 | 6G1-44361-00-00 | TUBE, WATER | 1 | U.R. SHORT |
| 3 | 6G1-44361-10-00 | TUBE, WATER | 1 | U.R. LONG |
| 4 | 6G1-44365-00-00 | DAMPER, WATER SEAL | 1 | |
| 5 | 6G1-45987-00-00 | SPACER 1 | 1 | |
| 6 | 90201-10M01-00 | WASHER, PLATE | 1 | |
| 7 | 90171-10M01-00 | NUT, CASTLE | 1 | |
| 8 | 91490-30020-00 | PIN. COTTER | 1 | |
| 9 | 6G1-45941-00-EL | PROPELLER (3X8-1/2"X8-1/2"-N) | 1 | U.R. |
| 9 | 6G1-45943-00-EL | PROPELLER (3X8-1/2"X7-1/2"-N) | 1 | U.R. |
| 9 | 6G1-45947-00-EL | PROPELLER (3X8-1/2"X6-1/2"-N) | 1 | U.R. |
| 10 | 6G1-45981-00-00 | DAMPER, PROPELLER | 1 | |
| 11 | 6G1-45986-00-00 | UNAVAILABLE IN PRICE BOOK | 1 | SEE NOTE |
| 12 | 6G1-W4591-01-EL | PROPELLER (3X9"X7"-N) | 1 | U.R. |
| 12 | (6G1-W4592-00-EL) | PROP. DUAL THRUST | 1 | |
| 13 | 6G1-45616-01-00 | .NUT, PROPELLER | 1 | |
| 14 | 90201-10M02-00 | WASHER, PLATE | 1 | |
| 15 | 6G1-45214-00-00 | COVER, WATER INLET 1 | 1 | |
| 16 | 6G1-45215-00-00 | COVER, WATER INLET 2 | 1 | |
| 17 | 98180-05020-00 | SCREW, OVAL HEAD | 1 | |
| 18 | 90185-05002-00 | NUT, NYLON | 1 | |

6LJ 1986 / LOWER DRIVE 2 6H 8H



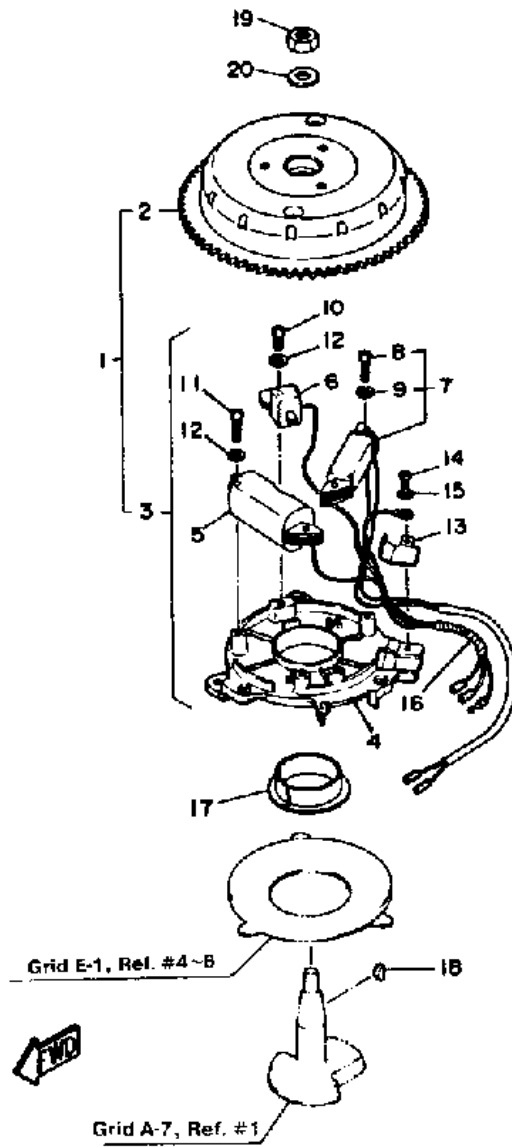
©2014 Yamaha Motor Corporation, U.S.A. All rights reserved.

Part List

6LJ 1986 / LOWER DRIVE 2 6H 8H

| REF - NO | PART NUMBER | PART NAME | QUANTITY | REMARKS |
|----------------|-------------------|-------------------------------|----------|------------|
| 1 | 93604-08062-00 | PIN, DOWEL | 2 | |
| 2 | 95895-06030-00 | BOLT, FLANGE | 4 | |
| 3 | 6G1-44361-00-00 | TUBE, WATER | 1 | U.R. SHORT |
| 3 | 6G1-44361-10-00 | TUBE, WATER | 1 | U.R. LONG |
| 4 | 6G1-44365-00-00 | DAMPER, WATER SEAL | 1 | |
| 5 | 6G1-45987-00-00 | SPACER 1 | 1 | |
| 6 | 90201-10M01-00 | WASHER, PLATE | 1 | |
| 7 | 90171-10M01-00 | NUT, CASTLE | 1 | |
| 8 | 91490-30020-00 | PIN. COTTER | 1 | |
| 9 | 6G1-45941-00-EL | PROPELLER (3X8-1/2"X8-1/2"-N) | 1 | U.R. |
| 9 | 6G1-45943-00-EL | PROPELLER (3X8-1/2"X7-1/2"-N) | 1 | U.R. |
| 9 | 6G1-45947-00-EL | PROPELLER (3X8-1/2"X6-1/2"-N) | 1 | U.R. |
| 10 | 6G1-45981-00-00 | DAMPER, PROPELLER | 1 | |
| 11 | 6G1-45986-00-00 | UNAVAILABLE IN PRICE BOOK | 1 | |
| 12 | 6G1-W4591-01-EL | PROPELLER (3X9"X7"-N) | 1 | U.R. |
| 12 | (6G1-W4592-00-EL) | PROP. DUAL THRUST | 1 | U.R. |
| 13 | 6G1-45616-01-00 | .NUT, PROPELLER | 1 | |
| 14 | 90201-10M02-00 | WASHER, PLATE | 1 | |
| 15 | 6G1-45214-00-00 | COVER, WATER INLET 1 | 1 | |
| 16 | 6G1-45215-00-00 | COVER, WATER INLET 2 | 1 | |
| 17 | 98180-05020-00 | SCREW, OVAL HEAD | 1 | |
| 18 | 90185-05002-00 | NUT, NYLON | 1 | |

6LJ 1986 / GENERATOR 6J 8J



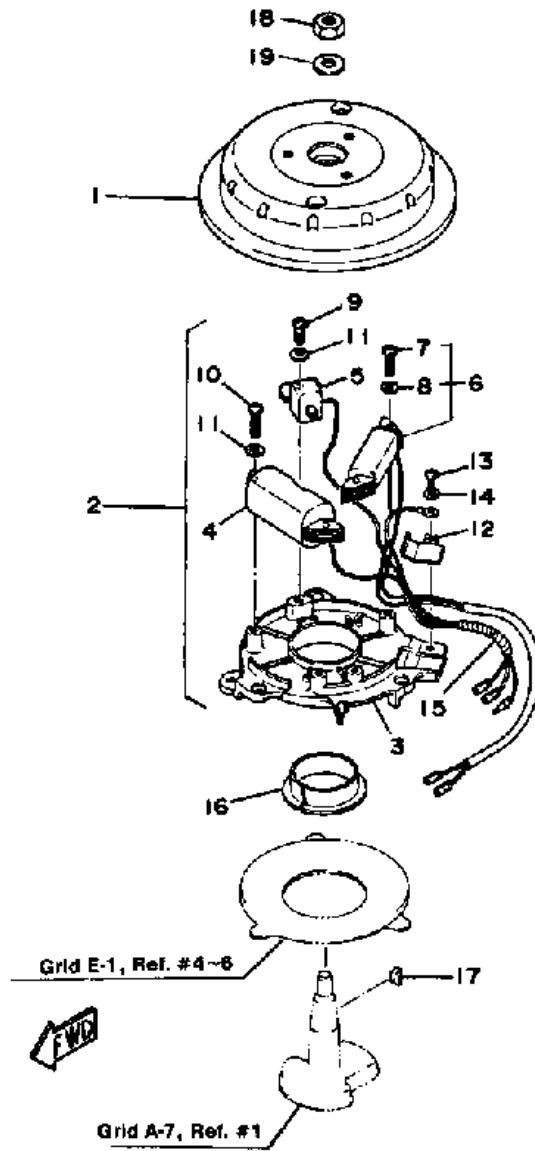
©2014 Yamaha Motor Corporation, U.S.A. All rights reserved.

Part List

6LJ 1986 / GENERATOR 6J 8J

| REF - NO | PART NUMBER | PART NAME | QUANTITY | REMARKS |
|----------------|-------------------|---------------------|----------|---------|
| 2 | (6G1-85550-40-00) | ROTOR ASSEMBLY | 1 | |
| 3 | 6G1-85560-F0-00 | BASE ASSY | 1 | |
| 4 | 6G1-85509-70-00 | .BASE, MAGNETO | 1 | |
| 5 | 6E7-85520-70-00 | .COIL, CHARGE | 1 | |
| 6 | 6E7-85580-70-00 | .COIL, PULSER | 1 | |
| 7 | 6E7-81303-A0-00 | .LIGHTING COIL ASSY | 1 | |
| 8 | (97802-05025-00) | SCREW, PAN HEAD | 2 | |
| 9 | 92990-05100-00 | .WASHER, SPRING | 2 | |
| 10 | 98580-05016-00 | SCREW, PAN HEAD | 1 | |
| 11 | 97802-05020-00 | .SCREW, PAN HEAD | 2 | |
| 12 | 92990-05100-00 | .WASHER, SPRING | 3 | |
| 13 | 6G1-85548-70-00 | .HOLDER | 1 | |
| 14 | 98580-04008-00 | .SCREW, PAN HEAD | 1 | |
| 15 | 92901-04600-00 | WASHER | 1 | |
| 16 | 6G1-85515-70-00 | .LEAD WIRE ASSY | 1 | |
| 17 | 90386-44M42-00 | BUSH | 1 | |
| 18 | 90280-04M06-00 | KEY, WOODRUFF | 1 | |
| 19 | 90170-10113-00 | NUT | 1 | |
| 20 | 90201-102G9-00 | WASHER, PLATE | 1 | |

6LJ 1986 / GENERATOR 6H 8H



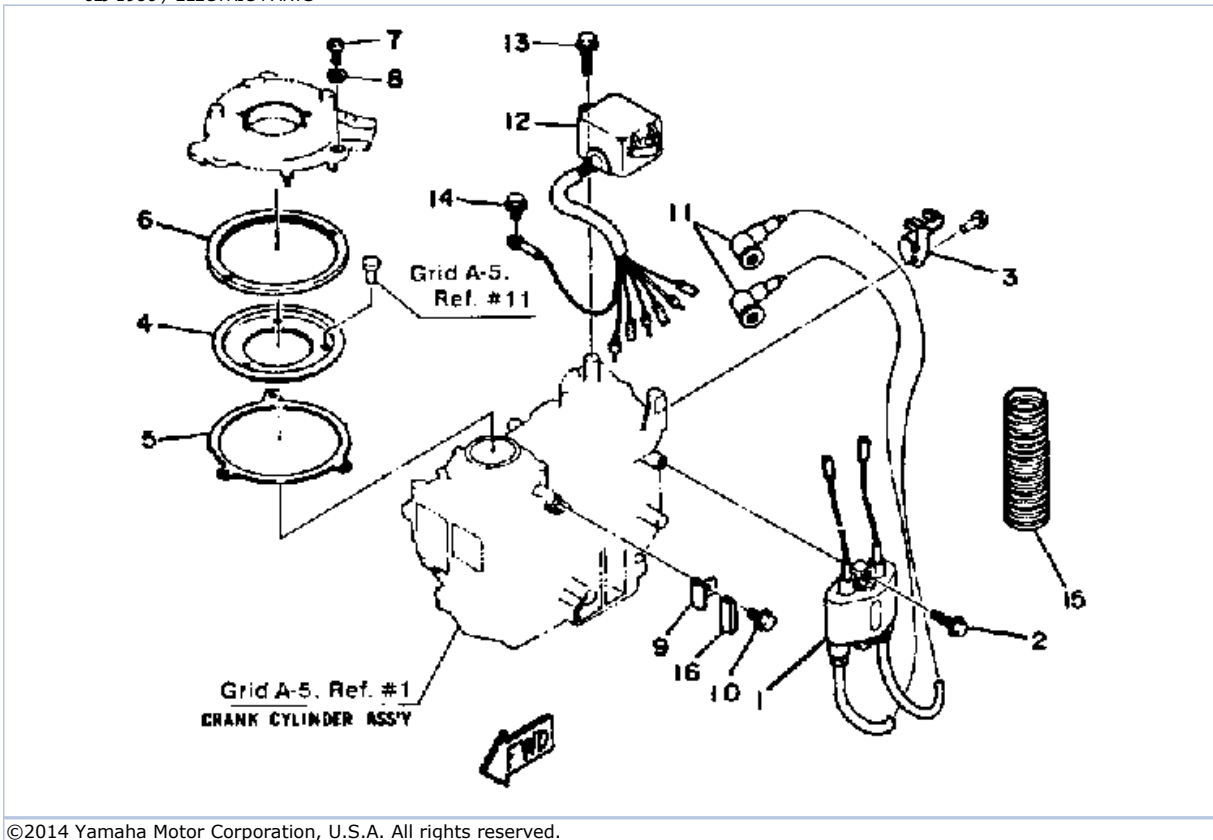
©2014 Yamaha Motor Corporation, U.S.A. All rights reserved.

Part List

6LJ 1986 / GENERATOR 6H 8H

| REF - NO | PART NUMBER | PART NAME | QUANTITY | REMARKS |
|----------------|-----------------|---------------------|----------|---------|
| 1 | 6G1-85550-71-00 | ROTOR ASSEMBLY | 1 | |
| 2 | 6G1-85560-F0-00 | BASE ASSY | 1 | |
| 3 | 6G1-85509-70-00 | .BASE, MAGNETO | 1 | |
| 4 | 6E7-85520-70-00 | .COIL, CHARGE | 1 | |
| 5 | 6E7-85580-70-00 | .COIL, PULSER | 1 | |
| 6 | 6E7-81303-A0-00 | .LIGHTING COIL ASSY | 1 | |
| 7 | 97802-05025-00 | SCREW, PAN HEAD | 2 | |
| 8 | 92990-05100-00 | .WASHER, SPRING | 2 | |
| 9 | 98580-05016-00 | SCREW, PAN HEAD | 1 | |
| 10 | 97802-05020-00 | .SCREW, PAN HEAD | 2 | |
| 11 | 92990-05100-00 | .WASHER, SPRING | 3 | |
| 12 | 6G1-85548-70-00 | .HOLDER | 1 | |
| 13 | 98580-04008-00 | .SCREW, PAN HEAD | 1 | |
| 14 | 92901-04100-00 | WASHER, SPRING | 1 | |
| 15 | 6G1-85515-70-00 | .LEAD WIRE ASSY | 1 | |
| 16 | 90386-44M42-00 | BUSH | 1 | |
| 17 | 90280-04M06-00 | KEY, WOODRUFF | 1 | |
| 18 | 90170-10113-00 | NUT | 1 | |
| 19 | 90201-102G9-00 | WASHER, PLATE | 1 | |

6LJ 1986 / ELECTRIC PARTS



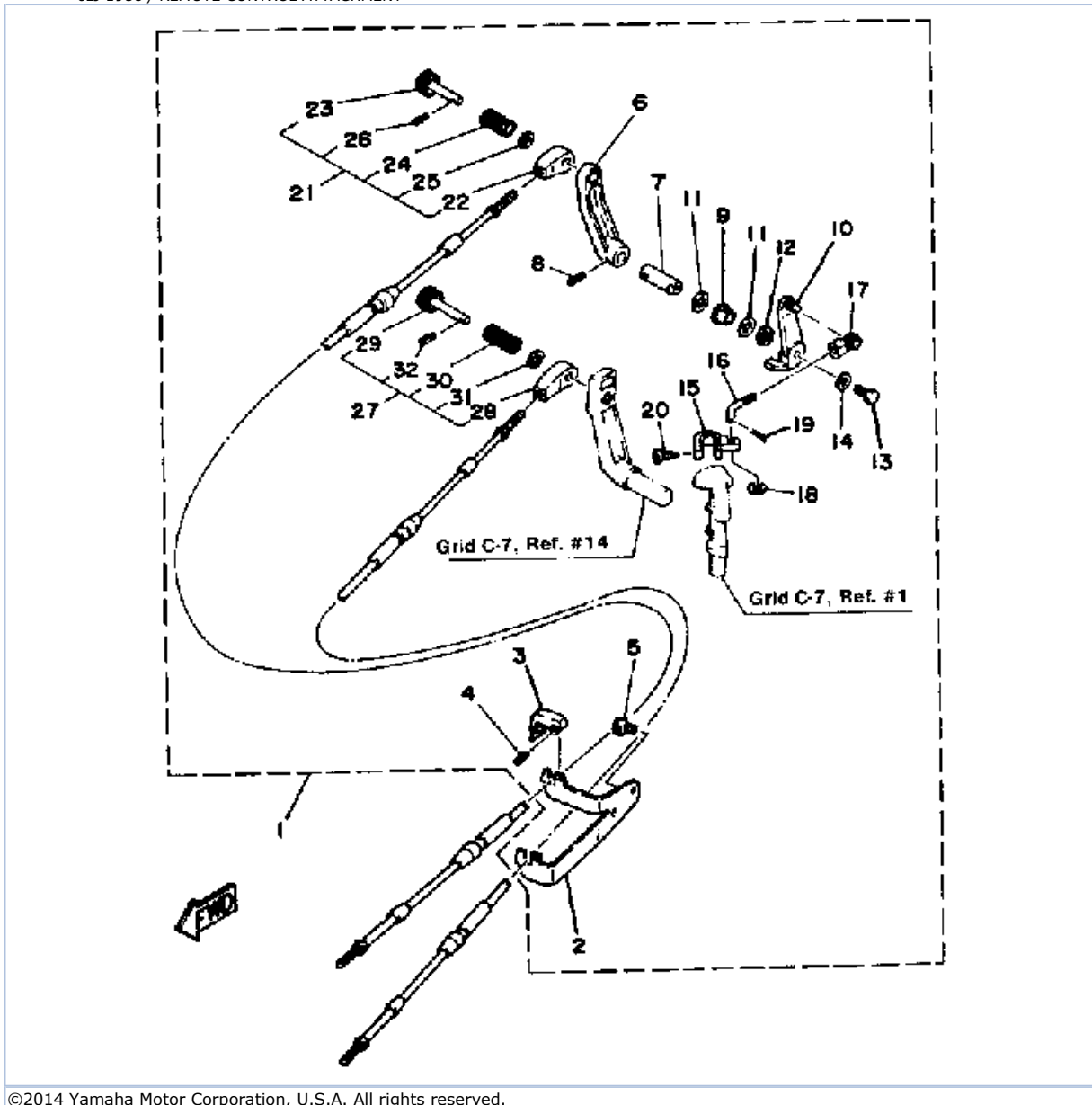
©2014 Yamaha Motor Corporation, U.S.A. All rights reserved.

Part List

6LJ 1986 / ELECTRIC PARTS

| REF - NO | PART NUMBER | PART NAME | QUANTITY | REMARKS |
|----------------|-----------------|------------------------|----------|---------|
| 1 | 6G1-85570-00-00 | IGNITION COIL ASSEMBLY | 1 | |
| 2 | 90105-06M24-00 | BOLT, FLANGE | 2 | |
| 3 | 90465-08M17-00 | CLAMP | 1 | |
| 4 | 6G1-41611-00-00 | RETAINER, MAGNETO BASE | 1 | |
| 5 | 6G1-41612-00-00 | RETAINER, MAGNETO BASE | 1 | |
| 6 | 695-41613-00-00 | PLATE, BASE FRICTION | 1 | |
| 7 | 98580-05010-00 | .SCREW, PAN HEAD | 3 | |
| 8 | 92990-05600-00 | WASHER, PLATE | 3 | |
| 9 | 6G1-41615-00-00 | STOPPER, MAGNETO BASE | 1 | |
| 10 | 90105-06M23-00 | .BOLT FLANGE | 1 | |
| 11 | 663-82370-01-00 | PLUG CAP ASSY | 2 | |
| 12 | 696-85540-11-00 | C.D.I. UNIT ASSY | 1 | |
| 13 | 90105-06M15-00 | BOLT, FLANGE | 2 | |
| 14 | 90105-06M23-00 | .BOLT FLANGE | 1 | |
| 15 | 6G1-83557-00-00 | TUBE | 1 | |
| 16 | 6G1-44194-00-00 | CAP | 1 | |

6LJ 1986 / REMOTE CONTROL ATTACHMENT



©2014 Yamaha Motor Corporation, U.S.A. All rights reserved.


Part List

6LJ 1986 / REMOTE CONTROL ATTACHMENT

| REF - NO | PART NUMBER | PART NAME | QUANTITY | REMARKS |
|----------|-----------------|--------------------------------|----------|---------|
| 1 | 6G1-48501-50-00 | REMOTE CONTROL ATTACHMENT ASSY | 1 | |
| 2 | 6G1-48531-50-00 | BRACKET, REMOTE CONTROL 1 | 1 | |
| 3 | 682-48538-50-00 | .CLAMP, CABLE 1 | 2 | |
| 4 | 91690-30012-00 | .PIN, SPRING | 2 | |
| 5 | 90105-06M23-00 | .BOLT FLANGE | 2 | |
| 6 | 6G1-41631-50-EK | LEVER, MAGNETO CONTROL | 1 | |
| 7 | 6G1-41635-50-00 | SHAFT, LINK CONNECTING | 1 | |
| 8 | 91690-40016-00 | PIN, SPRING | 1 | |
| 9 | 90386-10009-00 | .BUSH | 1 | |
| 10 | 6G1-41632-50-94 | LEVER, MAGNETO CONTROL | 1 | |
| 11 | 90202-10024-00 | WASHER, PLATE | 2 | |
| 12 | 90206-10M12-00 | WASHER, WAVE | 1 | |
| 13 | 97313-05014-00 | BOLT, HEXAGON | 1 | |
| 14 | 92990-05600-00 | WASHER, PLATE | 1 | |
| 15 | 6G1-41633-50-94 | LEVER, MAGNETO CONTROL | 1 | |
| 16 | 6G1-41238-50-00 | JOINT, LINK | 1 | |
| 17 | 6H1-41237-00-00 | JOINT, LINK | 1 | |
| 18 | 90202-05088-00 | WASHER, PLATE | 1 | |
| 19 | 91490-25020-00 | PIN. COTTER | 1 | |
| 20 | 97780-50520-00 | SCREW, TAPPING | 1 | |
| 21 | 682-48340-50-00 | CABLE END ASSY (THROTTLE) | 1 | |
| 22 | 682-48344-50-00 | CABLE END, REMOTE CONTROL 1 | 1 | |
| 23 | 617-48361-90-00 | HOOK, CABLE | 1 | |
| 24 | 90501-10264-00 | ..SPRING, COMPRESSION | 1 | |
| 25 | 92990-08600-00 | ..WASHER, PLATE | 1 | |
| 26 | 91690-30012-00 | .PIN, SPRING | 1 | |
| 27 | 682-48330-50-00 | CABLE END ASSY (SHIFT) | 1 | |
| 28 | 682-48346-50-00 | CABLE END, REMOTE CONTROL 3 | 1 | |
| 29 | 617-48331-91-00 | ..HOOK, CABLE | 1 | |
| 30 | 90501-10071-00 | ..SPRING, COMPRESSION | 1 | |
| 31 | 92990-08600-00 | ..WASHER, PLATE | 1 | |
| 32 | 91690-30012-00 | .PIN, SPRING | 1 | |

Part Notes

6LJ 1986 / REMOTE CONTROL ATTACHMENT

| PART NUMBER | NOTE TEXT |
|---|--|
| 6H1-41237-00-00  | OEM: This part number is among the Top 100 Most Popular Marine Maintenance Parts as of March 2014. |

©2014 Yamaha Motor Corporation, U.S.A. All rights reserved.

©2014 Yamaha Motor Corporation, U.S.A. All rights reserved.