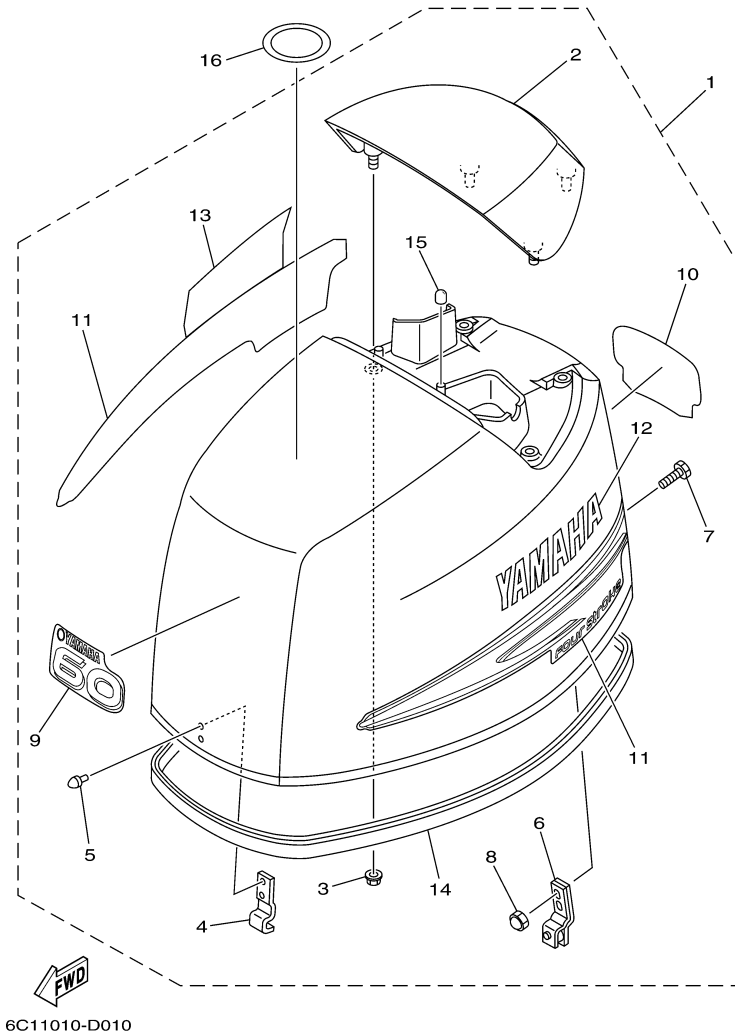


T60TLR 0408 / TOP COWLING



©2014 Yamaha Motor Corporation, U.S.A. All rights reserved.


Part List

T60TLR 0408 / TOP COWLING

| REF - NO | PART NUMBER | PART NAME | QUANTITY | REMARKS |
|----------------|-----------------|--------------------|----------|---------|
| 1 | 6C6-42610-00-8D | TOP COWLING ASSY | 1 | |
| 2 | 67C-42613-00-8D | .MOLDING, AIR DUCT | 1 | |
| 3 | 90179-06029-00 | .NUT | 4 | |
| 4 | 6C5-42651-00-00 | .HOOK | 1 | |
| 5 | 90266-06M02-00 | .RIVET | 2 | |
| 6 | 67C-42652-02-00 | .HOOK | 1 | |
| 7 | 90109-06047-00 | .BOLT | 2 | |
| 8 | 90185-06M05-00 | .NUT, SELF-LOCKING | 2 | |
| 9 | 69W-42677-00-00 | .GRAPHIC, FRONT | 1 | |
| 10 | 6C6-42678-00-00 | .GRAPHIC, REAR | 1 | |
| 11 | 69W-W0070-00-00 | .GRAPHIC SET | 1 | |
| 12 | 69W-42681-00-00 | .MARK, COWLING | 1 | |
| 13 | 69W-42682-00-00 | .MARK, COWLING | 1 | |
| 14 | 6C5-42615-00-00 | .SEAL | 1 | |
| 15 | 69W-13448-00-00 | .CAP | 2 | |
| 16 | 67F-13434-10-00 | LABEL, CAUTION | 1 | |

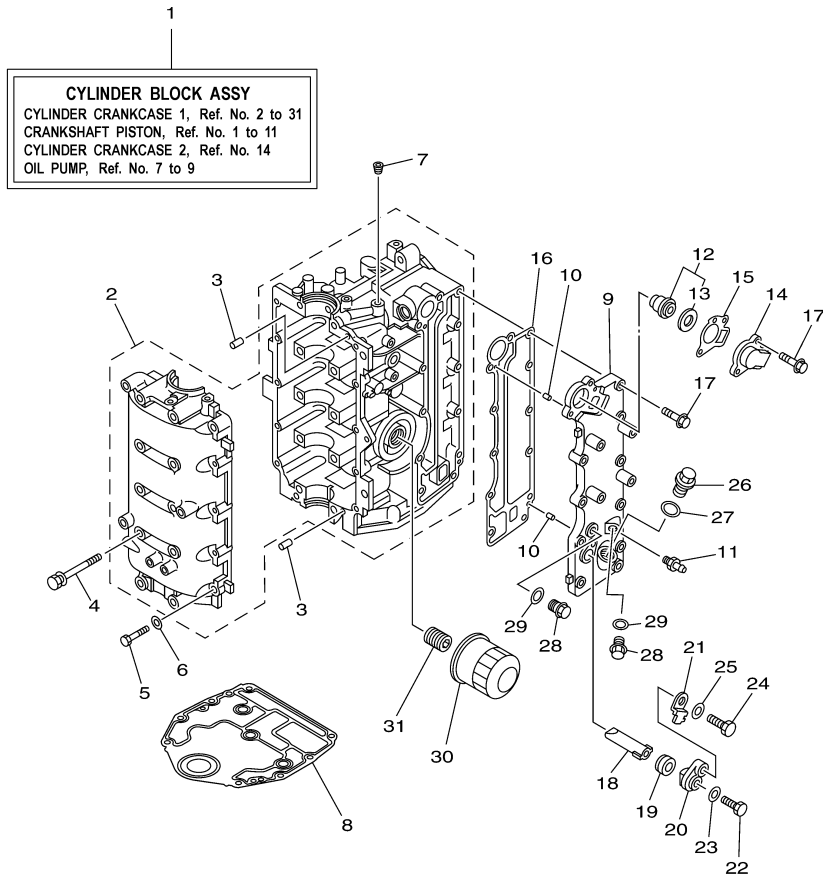
Part Notes

T60TLR 0408 / TOP COWLING

| PART NUMBER | NOTE TEXT |
|-----------------|---|
| 69W-42677-00-00 |  OEM: The rear graphic correctly supersedes to this part. To match the original graphic, trim the word "Yamaha" from the front graphic. |

©2014 Yamaha Motor Corporation, U.S.A. All rights reserved.

T60TLR 0408 / CYLINDER CRANKCASE 1



6C13100-F020


Part List

T60TLR 0408 / CYLINDER CRANKCASE 1

| REF - NO | PART NUMBER | PART NAME | QUANTITY | REMARKS |
|----------------|-----------------|---------------------------------|----------|---------|
| 1 | 6C5-W009B-02-9S | CYLINDER BLOCK ASSY | 1 | |
| 2 | 6C5-15100-10-9S | CRANKCASE ASSY | 1 | |
| 3 | 93606-12019-00 | .PIN, DOWEL | 4 | |
| 4 | 90119-08M01-00 | BOLT, WITH WASHER | 10 | |
| 5 | 97013-06035-00 | BOLT | 10 | |
| 6 | 92903-06600-00 | WASHER, PLATE | 10 | |
| 7 | 90344-51003-00 | PLUG, TAPER SCREW | 1 | |
| 8 | 67C-11351-01-00 | .GASKET, CYLINDER | 1 | |
| 9 | 6C5-41113-11-9S | OUTER COVER, EXHAUST | 1 | |
| 10 | 93604-10M03-00 | PIN, DOWEL | 2 | |
| 11 | 62Y-12481-10-00 | PIPE 1 | 1 | |
| 12 | 6G8-12411-03-00 | THERMOSTAT | 1 | |
| 13 | 688-12412-00-00 | .SEAL, THERMOSTAT | 1 | |
| 14 | 6C5-12413-00-9S | COVER, THERMOSTAT | 1 | |
| 15 | 62Y-12414-00-00 | .GASKET, COVER | 1 | |
| 16 | 6C5-41114-10-00 | .GASKET, EXHAUST OUTER COVER | 1 | |
| 17 | 90119-06MA5-00 | BOLT, WITH WASHER | 12 | |
| 18 | 62Y-11325-00-00 | ANODE | 1 | |
| 19 | 66M-11328-00-00 | GROMMET, ANODE | 1 | |
| 20 | 66M-11327-00-94 | COVER, ANODE | 1 | |
| 21 | 66M-12535-00-00 | PLATE | 1 | |
| 22 | 97095-05012-00 | BOLT | 1 | |
| 23 | 92995-05600-00 | WASHER | 1 | |
| 24 | 97095-06020-00 | BOLT | 1 | |
| 25 | 92995-06600-00 | WASHER | 1 | |
| 26 | 90340-18M09-00 | PLUG, STRAIGHT SCREW | 1 | |
| 27 | 90430-18130-00 | .GASKET | 1 | |
| 28 | 90340-14M06-00 | PLUG, STRAIGHT SCREW | 2 | |
| 29 | 90430-14115-00 | .GASKET | 2 | |
| 30 | 5GH-13440-20-00 | ELEMENT ASSY, OIL CLEANER | 1 | |
| 31 | 6C5-12858-00-00 | BOLT, UNION | 1 | |

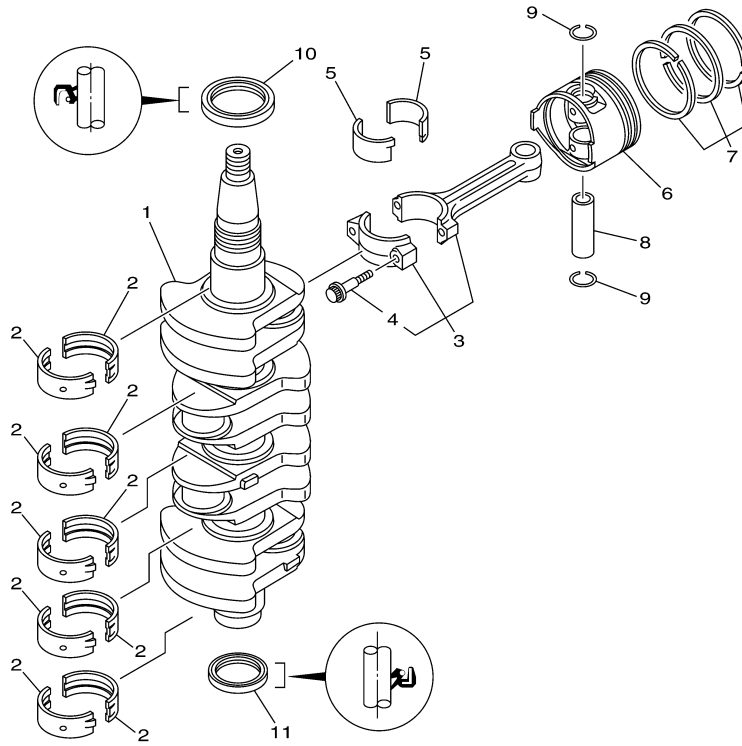
Part Notes

T60TLR 0408 / CYLINDER CRANKCASE 1

| PART NUMBER | NOTE TEXT |
|---|--|
| 62Y-12414-00-00  | OEM: This part number is among the Top 100 Most Popular Marine Maintenance Parts as of March 2014. |

©2014 Yamaha Motor Corporation, U.S.A. All rights reserved.

T60TLR 0408 / CRANKSHAFT PISTON



6C11010-D030

©2014 Yamaha Motor Corporation, U.S.A. All rights reserved.

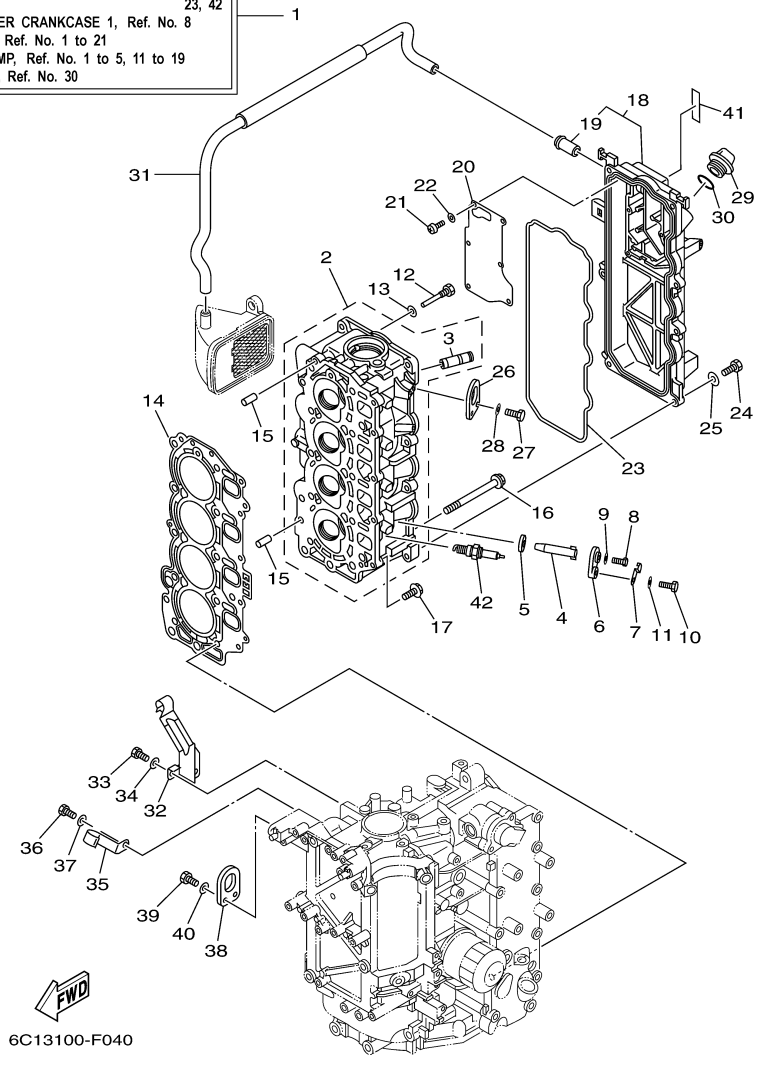
Part List

T60TLR 0408 / CRANKSHAFT PISTON

| REF - NO | PART NUMBER | PART NAME | QUANTITY | REMARKS |
|----------------|-----------------|----------------------------------|----------|-----------|
| 1 | 6C5-11411-00-00 | CRANKSHAFT | 1 | |
| 2 | 6C5-11416-20-00 | PLANE BEARING, CRANKSHAFT 1 | 10 | UR PINK |
| 2 | 6C5-11416-30-00 | PLANE BEARING, CRANKSHAFT 1 | 10 | UR GREEN |
| 2 | 6C5-11416-10-00 | PLANE BEARING, CRANKSHAFT 1 | 10 | UR RED |
| 2 | 6C5-11416-00-00 | PLANE BEARING, CRANKSHAFT 1 | 10 | UR YELLOW |
| 3 | 6C5-11650-00-00 | CONNECTING ROD ASSY | 4 | |
| 4 | 6C5-11654-00-00 | .BOLT, CONNECTING ROD | 2 | |
| 5 | 6C5-11656-10-00 | PLANE BEARING, CONNECTING ROD | 8 | UR RED |
| 5 | 6C5-11656-00-00 | PLANE BEARING, CONNECTING ROD | 8 | UR YELLOW |
| 5 | 6C5-11656-20-00 | PLANE BEARING, CONNECTING ROD | 8 | UR PINK |
| 5 | 6C5-11656-30-00 | PLANE BEARING, CONNECTING ROD | 8 | UR GREEN |
| 6 | 69W-11636-00-00 | PISTON (0.50MM O/S) | 4 | AP |
| 6 | 69W-11635-00-00 | PISTON (0.25MM O/S) | 4 | AP |
| 6 | 69W-11631-00-97 | PISTON (STD) | 4 | |
| 7 | 67C-11603-00-00 | PISTON RING SET (STD) | 4 | |
| 7 | 67C-11604-00-00 | PISTON RING SET (0.25MM O/S) | 4 | AP |
| 7 | 67C-11605-00-00 | PISTON RING SET (0.50MM O/S) | 4 | AP |
| 8 | 62Y-11633-00-00 | PIN, PISTON | 4 | |
| 9 | 93450-17129-00 | CIRCLIP | 8 | |
| 10 | 93102-43M42-00 | .OIL SEAL | 1 | |
| 11 | 93101-35002-00 | .OIL SEAL | 1 | |

T60TLR 0408 / CYLINDER CRANKCASE 2

CYLINDER HEAD ASSY
CYLINDER CRANKCASE 2, Ref. No. 2 to 14,
23, 42
CYLINDER CRANKCASE 1, Ref. No. 8
VALVE, Ref. No. 1 to 21
OIL PUMP, Ref. No. 1 to 5, 11 to 19
FUEL 1, Ref. No. 30



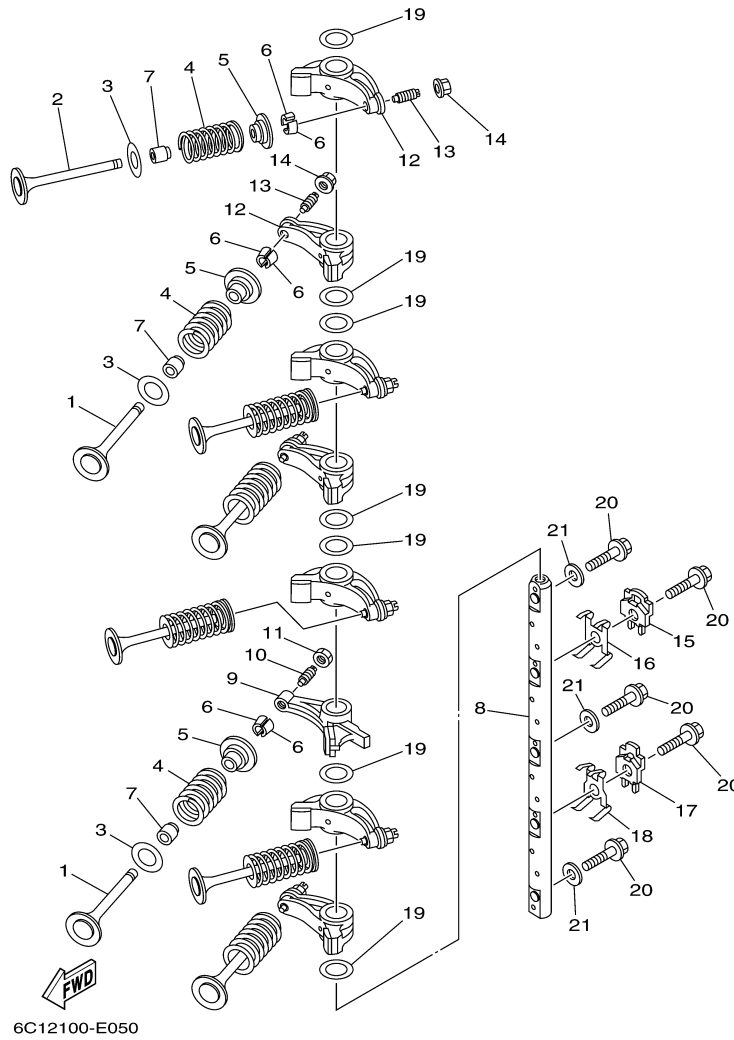
©2014 Yamaha Motor Corporation, U.S.A. All rights reserved.

Part List

T60TLR 0408 / CYLINDER CRANKCASE 2

| REF - NO | PART NUMBER | PART NAME | QUANTITY | REMARKS |
|----------------|-----------------|--------------------------|----------|---------|
| 1 | 6C5-W009A-11-9S | CYLINDER HEAD COMPLETE | 1 | |
| 2 | 6C5-11111-00-9S | HEAD, CYLINDER 1 | 1 | |
| 3 | 62Y-11133-30-00 | .GUIDE, VALVE 1 | 8 | |
| 4 | 62Y-11325-00-00 | ANODE | 4 | |
| 5 | 66M-11328-00-00 | GROMMET, ANODE | 4 | |
| 6 | 66M-11327-00-94 | COVER, ANODE | 4 | |
| 7 | 66M-12535-00-00 | PLATE | 4 | |
| 8 | 97095-05012-00 | BOLT | 4 | |
| 9 | 92995-05600-00 | WASHER | 4 | |
| 10 | 97095-06020-00 | BOLT | 4 | |
| 11 | 92995-06600-00 | WASHER | 4 | |
| 12 | 90109-06M65-00 | BOLT | 1 | |
| 13 | 90430-06014-00 | .GASKET | 1 | |
| 14 | 6C5-11181-01-00 | .GASKET, CYLINDER HEAD 1 | 1 | |
| 15 | 99530-08012-00 | PIN, DOWEL | 2 | |
| 16 | 90105-09005-00 | BOLT, FLANGE | 10 | |
| 17 | 90119-06MA3-00 | BOLT, WITH WASHER | 5 | |
| 18 | 6C5-11191-01-9S | COVER, CYLINDER HEAD 1 | 1 | |
| 19 | 62Y-14485-00-00 | .PIPE, JOINT | 1 | |
| 20 | 6C5-11168-00-00 | COVER, BREATHER | 1 | |
| 21 | 98507-04010-00 | SCREW, PAN HEAD | 6 | |
| 22 | 92907-04600-00 | WASHER | 6 | |
| 23 | 62Y-11356-00-00 | .SEAL, CYLINDER 2 | 1 | |
| 24 | 97095-06020-00 | BOLT | 7 | |
| 25 | 92995-06600-00 | WASHER | 7 | |
| 26 | 62Y-11119-00-00 | HANGER, ENGINE | 1 | |
| 27 | 97095-06020-00 | BOLT | 2 | |
| 28 | 92995-06600-00 | WASHER | 2 | |
| 29 | 6G8-15363-00-00 | PLUG, OIL | 1 | |
| 30 | 93210-24M79-00 | .O-RING | 1 | |
| 31 | 6C5-1531A-01-00 | HOSE, BREATHER 1 | 1 | |
| 32 | 6C5-15378-00-00 | HOLDER | 1 | |
| 33 | 97095-06014-00 | BOLT | 1 | |
| 34 | 92995-06600-00 | WASHER | 1 | |
| 35 | 6C5-15378-11-00 | HOLDER | 1 | |
| 36 | 97095-06014-00 | BOLT | 1 | |
| 37 | 92995-06600-00 | WASHER | 1 | |
| 38 | 62Y-11119-00-00 | HANGER, ENGINE | 1 | |
| 39 | 97095-06020-00 | BOLT | 2 | |
| 40 | 92995-06600-00 | WASHER | 2 | |
| 41 | 62Y-12138-40-00 | MARK, CAUTION | 1 | |
| 42 | NGK-DPR6E-BO-00 | PLUG, SPARK (NGK DPR6EB) | 4 | |

T60TLR 0408 / VALVE



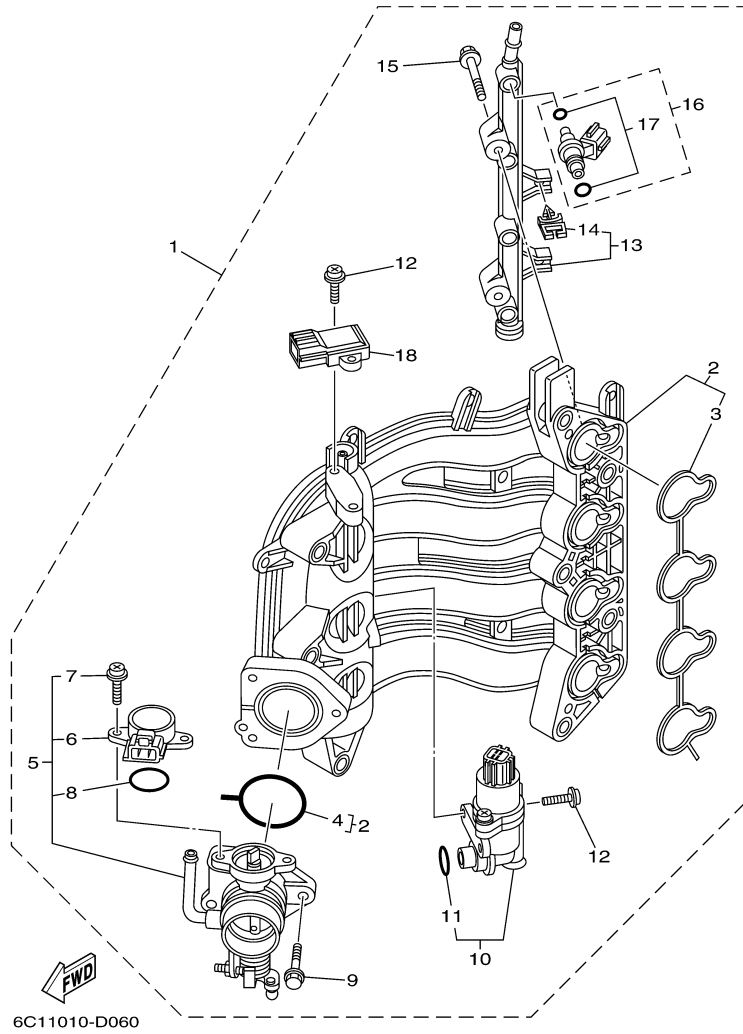
©2014 Yamaha Motor Corporation, U.S.A. All rights reserved.

Part List

T60TLR 0408 / VALVE

| REF - NO | PART NUMBER | PART NAME | QUANTITY | REMARKS |
|----------------|-----------------|--------------------------------|----------|---------|
| 1 | 69W-12111-00-00 | VALVE, INTAKE | 4 | |
| 2 | 69W-12121-00-00 | VALVE, EXHAUST | 4 | |
| 3 | 62Y-12116-00-00 | SEAT, VALVE SPRING | 8 | |
| 4 | 51Y-12114-00-00 | SPRING, VALVE OUTER | 8 | |
| 5 | 30X-12117-00-00 | RETAINER, VALVE SPRING | 8 | |
| 6 | 30X-12118-00-00 | LOCK, VALVE SPRING RETAINER | 16 | |
| 7 | 51Y-12119-00-00 | SEAL, VALVE STEM | 8 | |
| 8 | 6C5-12146-00-00 | SHAFT, ROCKER | 1 | |
| 9 | 62Y-12151-00-00 | ARM, VALVE ROCKER | 1 | |
| 10 | 64J-12159-00-00 | SCREW, VALVE ADJUSTING | 1 | |
| 11 | 62Y-12158-00-00 | NUT, LOCK | 1 | |
| 12 | 6C5-12151-00-00 | ARM, VALVE ROCKER | 7 | |
| 13 | 6C5-12159-00-00 | SCREW, VALVE ADJUSTING | 7 | |
| 14 | 6C5-12158-00-00 | NUT, LOCK | 7 | |
| 15 | 6C5-12231-00-00 | GUIDE, STOPPER 1 | 1 | |
| 16 | 6C5-12233-00-00 | PLATE, GUIDE STOPPER 1 | 1 | |
| 17 | 6C5-12241-00-00 | GUIDE, STOPPER 2 | 1 | |
| 18 | 6C5-12243-00-00 | PLATE, GUIDE STOPPER 2 | 1 | |
| 19 | 90201-16014-00 | WASHER, PLATE | 7 | |
| 20 | 90105-08060-00 | BOLT, FLANGE | 5 | |
| 21 | 92990-08200-00 | WASHER, PLAIN | 3 | |

T60TLR 0408 / INTAKE 1



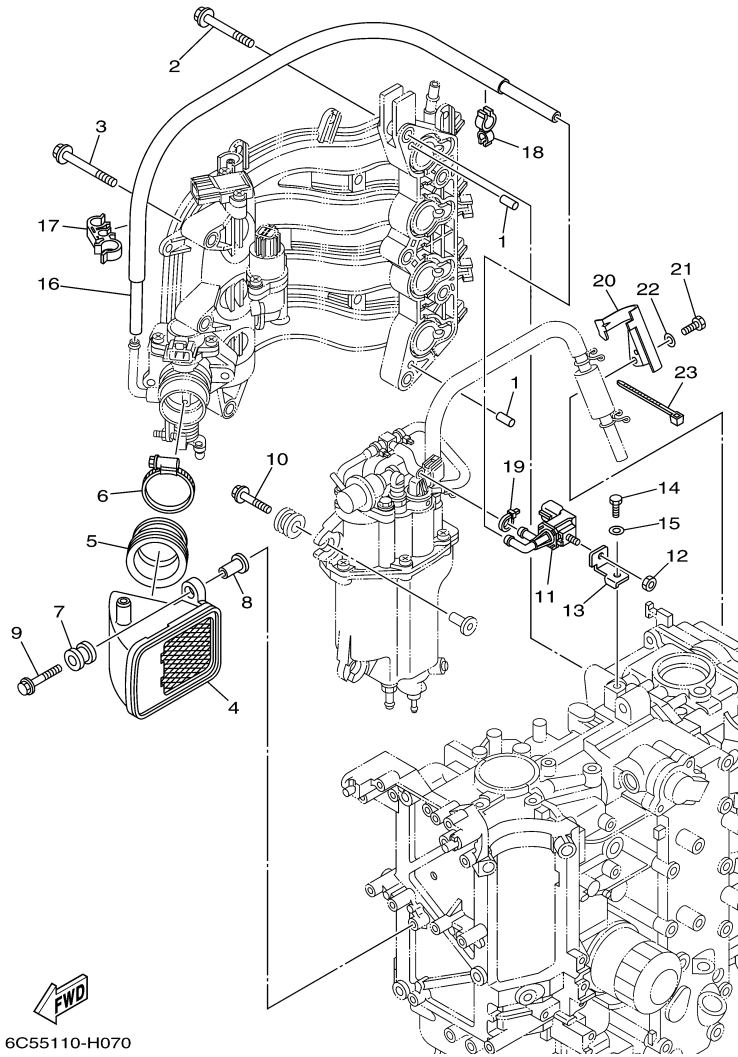
©2014 Yamaha Motor Corporation, U.S.A. All rights reserved.

Part List

T60TLR 0408 / INTAKE 1

| REF - NO | PART NUMBER | PART NAME | QUANTITY | REMARKS |
|----------------|-----------------|------------------------|----------|---------|
| 1 | 6C5-14200-00-00 | INTAKE ASSY | 1 | |
| 2 | 6C5-13641-00-00 | .MANIFOLD, INTAKE 1 | 1 | |
| 3 | 6C5-13645-00-00 | ..GASKET, MANIFOLD 1 | 1 | |
| 4 | 6C5-13557-00-00 | ..GASKET | 1 | |
| 5 | 6C5-13750-00-00 | .THROTTLE BODY ASSY | 1 | |
| 6 | 6C5-85885-00-00 | ..THROTTLE SENSOR ASSY | 1 | |
| 7 | 6C5-81145-00-00 | ..SCREW 1 | 2 | |
| 8 | 6C5-8182L-00-00 | ..O-RING 1 | 1 | |
| 9 | 6C5-14496-00-00 | .BOLT | 3 | |
| 10 | 6C5-13105-01-00 | .CONTROL VALVE ASSY | 1 | |
| 11 | 6C5-1319C-00-00 | ..O-RING | 1 | |
| 12 | 6C5-81146-00-00 | .SCREW 2 | 4 | |
| 13 | 6C5-13161-00-00 | .PIPE, DELIVERY 1 | 1 | |
| 14 | 90464-07M56-00 | ..CLAMP | 2 | |
| 15 | 6C5-14446-00-00 | .BOLT | 2 | |
| 16 | 6C5-13761-00-00 | .INJECTOR | 4 | |
| 17 | 6C5-1410B-00-00 | ..PACKING KIT | 1 | |
| 18 | 68F-83688-00-00 | .SENSOR ASSY | 1 | |

T60TLR 0408 / INTAKE 2



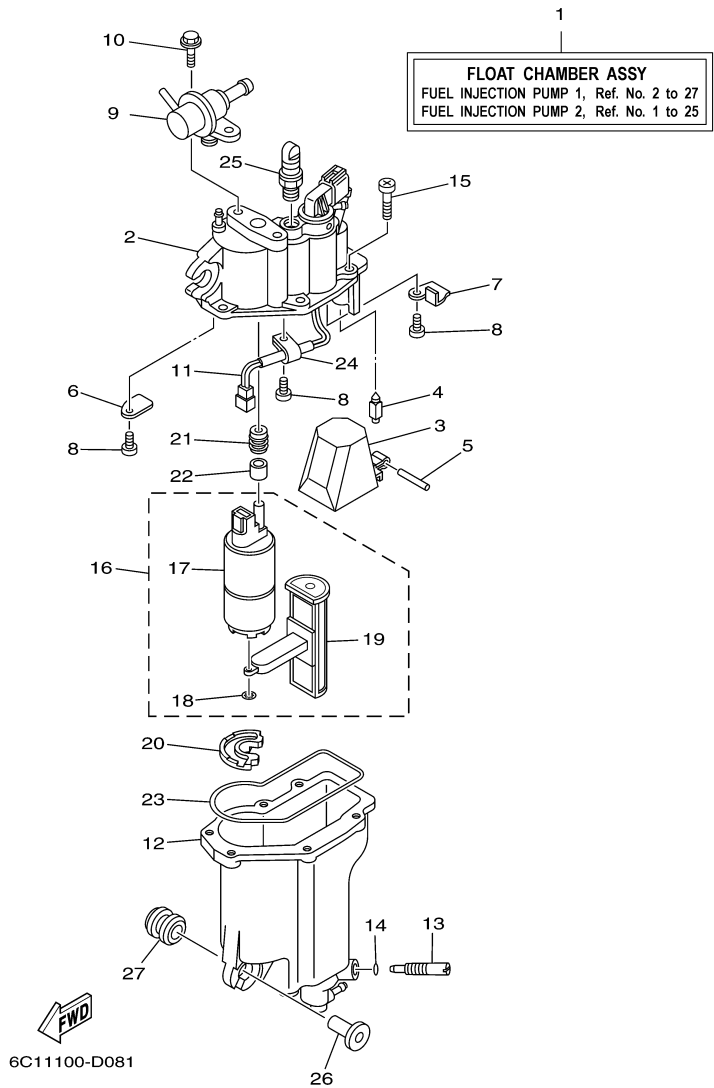
©2014 Yamaha Motor Corporation, U.S.A. All rights reserved.

Part List

T60TLR 0408 / INTAKE 2

| REF - NO | PART NUMBER | PART NAME | QUANTITY | REMARKS |
|----------------|-----------------|-----------------------|----------|---------|
| 1 | 93608-12M05-00 | PIN, DOWEL | 2 | |
| 2 | 90119-08069-00 | BOLT, WITH WASHER | 5 | |
| 3 | 90119-06087-00 | BOLT, WITH WASHER | 3 | |
| 4 | 6C5-14440-00-00 | SILENCER ASSY, INTAKE | 1 | |
| 5 | 6C5-14453-01-00 | JOINT, AIR CLEANER 1 | 1 | |
| 6 | 90450-50001-00 | HOSE CLAMP ASSY | 1 | |
| 7 | 6A0-82317-00-00 | DAMPER, IGNITION COIL | 2 | |
| 8 | 90387-06119-00 | COLLAR | 2 | |
| 9 | 90119-06106-00 | BOLT, WITH WASHER | 2 | |
| 10 | 90119-06M08-00 | BOLT, WITH WASHER | 3 | |
| 11 | 6C5-86120-00-00 | SOLENOID VALVE ASSY | 1 | |
| 12 | 95380-06600-00 | NUT, HEXAGON | 1 | |
| 13 | 6C5-86112-00-00 | STAY, SOLENOID | 1 | |
| 14 | 97095-06016-00 | BOLT | 1 | |
| 15 | 92995-06600-00 | WASHER | 1 | |
| 16 | 6C5-12576-00-00 | HOSE 1 | 1 | |
| 17 | 90464-15008-00 | CLAMP | 1 | |
| 18 | 90464-12006-00 | CLAMP | 1 | |
| 19 | 90465-11M10-00 | CLAMP | 1 | |
| 20 | 6C5-13428-01-00 | BRACKET, STRAINER 1 | 1 | |
| 21 | 97095-06016-00 | BOLT | 1 | |
| 22 | 92995-06600-00 | WASHER | 1 | |
| 23 | 90465-13M18-00 | CLAMP | 1 | |

T60TLR 0408 / FUEL INJECTION PUMP 1



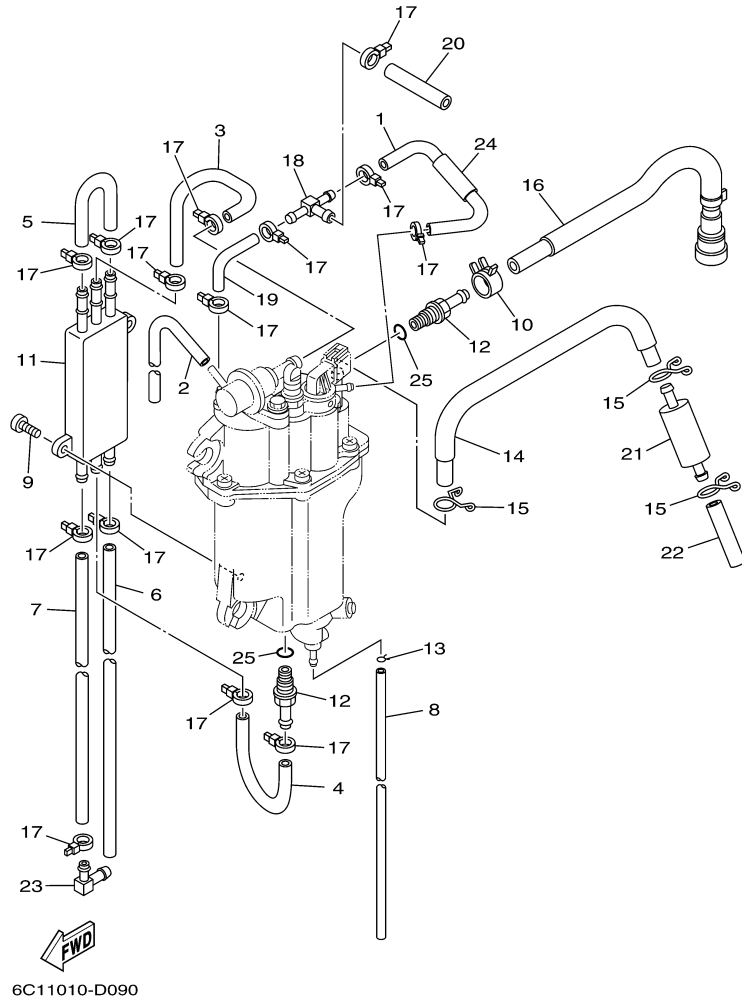
©2014 Yamaha Motor Corporation, U.S.A. All rights reserved.

Part List

T60TLR 0408 / FUEL INJECTION PUMP 1

| REF - NO | PART NUMBER | PART NAME | QUANTITY | REMARKS |
|----------------|-----------------|-----------------------|----------|---------|
| 1 | 6C5-14180-00-00 | FLOAT CHAMBER ASSY | 1 | |
| 2 | 6C5-14182-00-00 | COVER, FLOAT CHAMBER | 1 | |
| 3 | 6C5-14985-00-00 | FLOAT | 1 | |
| 4 | 6C5-14546-00-00 | VALVE, NEEDLE | 1 | |
| 5 | 6C5-14386-00-00 | PIN, FLOAT | 1 | |
| 6 | 6C5-2441R-00-00 | PLATE, BAFFLE 1 | 1 | |
| 7 | 6C5-2441T-00-00 | PLATE, BAFFLE 2 | 1 | |
| 8 | 6C5-24453-00-00 | SCREW | 3 | |
| 9 | 6C5-13906-01-00 | REGULATOR, PRESSURE | 1 | |
| 10 | 6C5-24592-00-00 | BOLT | 2 | |
| 11 | 6C5-87226-00-00 | WIRE HARNESS ASSY | 1 | |
| 12 | 6C5-14960-00-00 | BODY ASSY | 1 | |
| 13 | 6C5-14191-00-00 | PLUG, DRAIN | 1 | |
| 14 | 6C5-14397-00-00 | O-RING | 1 | |
| 15 | 6C5-14567-00-00 | SCREW | 6 | |
| 16 | 6C5-13910-00-00 | FUEL PUMP ASSY | 1 | |
| 17 | 6C5-13907-00-00 | .FUEL PUMP COMP | 1 | |
| 18 | 6C5-14127-00-00 | .CLIP | 1 | |
| 19 | 6C5-13915-00-00 | .FILTER | 1 | |
| 20 | 6C5-13593-00-00 | DAMPER | 1 | |
| 21 | 6C5-13781-00-00 | DAMPER, PUMP | 1 | |
| 22 | 6C5-13716-00-00 | COLLAR | 1 | |
| 23 | 6C5-14984-00-00 | GASKET, FLOAT CHAMBER | 1 | |
| 24 | 6C5-21337-00-00 | CLAMP, CABLE | 1 | |
| 25 | 6C5-14225-00-00 | CAP | 1 | |
| 26 | 90387-06M69-00 | COLLAR | 3 | |
| 27 | 90480-09M12-00 | GROMMET | 3 | |

T60TLR 0408 / FUEL INJECTION PUMP 2



©2014 Yamaha Motor Corporation, U.S.A. All rights reserved.


Part List

T60TLR 0408 / FUEL INJECTION PUMP 2

| REF - NO | PART NUMBER | PART NAME | QUANTITY | REMARKS |
|----------------|-----------------|------------------------|----------|---------|
| 1 | 6C5-13546-00-00 | HOSE 2 | 1 | |
| 2 | 6C5-13542-00-00 | HOSE, VACUUM SENSING 1 | 1 | |
| 3 | 6C5-24321-00-00 | PIPE 10 | 1 | |
| 4 | 6C5-24322-00-00 | PIPE 11 | 1 | |
| 5 | 6C5-24323-00-00 | PIPE 12 | 1 | |
| 6 | 6C5-24324-00-00 | PIPE 13 (L150) | 1 | |
| 7 | 6C5-24325-00-00 | PIPE 14 (L110) | 1 | |
| 8 | 6C5-14149-00-00 | PIPE (L200) | 1 | |
| 9 | 6C5-24444-00-00 | SCREW | 2 | |
| 10 | 6C5-13577-00-00 | CLIP | 1 | |
| 11 | 6C5-21841-00-00 | COOLER | 1 | |
| 12 | 6C5-14251-00-00 | NIPPLE | 2 | |
| 13 | 6C5-2411M-00-00 | CLIP | 1 | |
| 14 | 6C5-14148-00-00 | PIPE | 1 | |
| 15 | 6C5-24387-00-00 | CLIP | 3 | |
| 16 | 6C5-13974-00-00 | PIPE, FUEL 4 | 1 | |
| 17 | 90465-11M10-00 | CLAMP | 14 | |
| 18 | 6C5-24379-00-00 | PIPE, JOINT 4 | 1 | |
| 19 | 6C5-13545-00-00 | HOSE 1 | 1 | |
| 20 | 6C5-13547-00-00 | HOSE 3 | 1 | |
| 21 | 6C5-24251-00-00 | STRAINER 1 | 1 | |
| 22 | 6C5-2451B-00-00 | HOSE, FUEL INLET | 1 | |
| 23 | 6C5-1410F-00-00 | CONNECTOR | 1 | |
| 24 | 6C5-13548-00-00 | HOSE, AIR 4 | 1 | |
| 25 | 6C5-13739-00-00 | O-RING | 2 | |

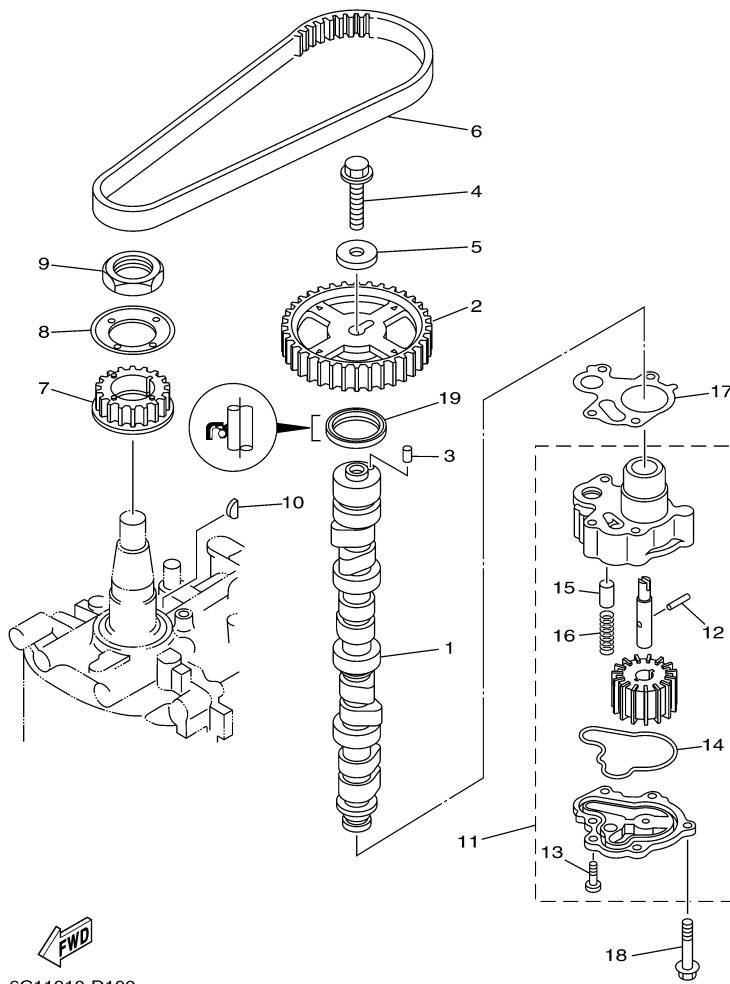
Part Notes

T60TLR 0408 / FUEL INJECTION PUMP 2

| PART NUMBER | NOTE TEXT |
|---|--|
| 6C5-24251-00-00  | OEM: This part number is among the Top 100 Most Popular Marine Maintenance Parts as of March 2014. |

©2014 Yamaha Motor Corporation, U.S.A. All rights reserved.

T60TLR 0408 / OIL PUMP



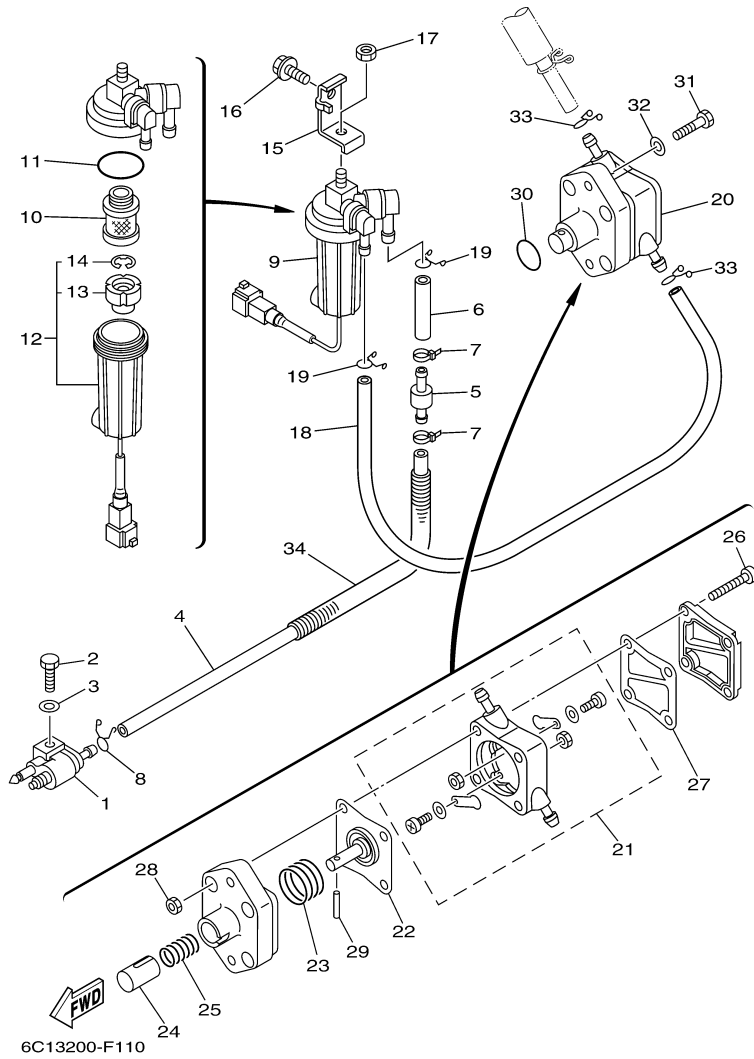
©2014 Yamaha Motor Corporation, U.S.A. All rights reserved.

Part List

T60TLR 0408 / OIL PUMP

| REF - NO | PART NUMBER | PART NAME | QUANTITY | REMARKS |
|----------------|-----------------|----------------------|----------|---------|
| 1 | 6C5-12171-00-00 | CAMSHAFT 1 | 1 | |
| 2 | 6C5-11537-00-00 | GEAR, DRIVEN | 1 | |
| 3 | 93605-17002-00 | PIN, DOWEL | 1 | |
| 4 | 95817-10035-00 | BOLT, FLANGE | 1 | |
| 5 | 90201-10144-00 | WASHER, PLATE | 1 | |
| 6 | 6C5-46241-00-00 | BELT | 1 | |
| 7 | 6C5-11536-00-00 | GEAR, DRIVE | 1 | |
| 8 | 62Y-11557-00-00 | WASHER 1 | 1 | |
| 9 | 90170-35008-00 | NUT | 1 | |
| 10 | 90280-03M01-00 | .KEY, WOODRUFF | 1 | |
| 11 | 6C5-13300-00-00 | OIL PUMP ASSY | 1 | |
| 12 | 93603-17070-00 | .PIN, DOWEL | 1 | |
| 13 | 98580-06016-00 | .SCREW, PAN HEAD | 2 | |
| 14 | 6C5-13142-00-00 | .GASKET | 1 | |
| 15 | 6G8-11577-00-00 | .PLUNGER, RELIEF | 1 | |
| 16 | 90501-6C500-00 | .SPRING, COMPRESSION | 1 | |
| 17 | 6C5-13329-00-00 | .GASKET, PUMP COVER | 1 | |
| 18 | 90119-06025-00 | BOLT, WITH WASHER | 4 | |
| 19 | 93102-37M40-00 | .OIL SEAL | 1 | |

T60TLR 0408 / FUEL 1



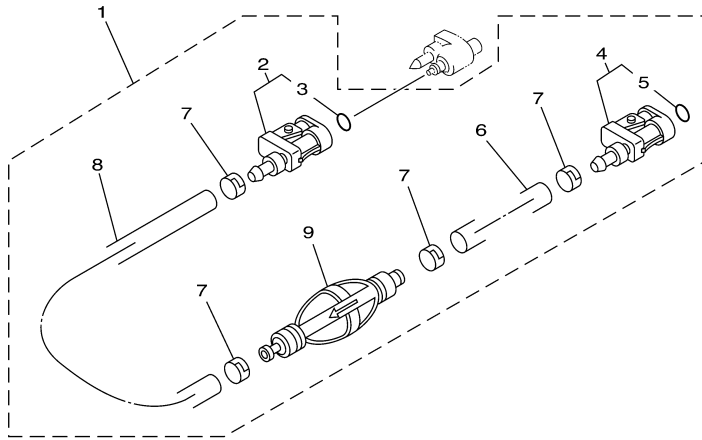
©2014 Yamaha Motor Corporation, U.S.A. All rights reserved.

Part List

T60TLR 0408 / FUEL 1

| REF - NO | PART NUMBER | PART NAME | QUANTITY | REMARKS |
|----------------|-----------------|-------------------------|----------|---------|
| 1 | 6G1-24304-02-00 | FUEL PIPE JOINT COMP. 1 | 1 | |
| 2 | 97095-06025-00 | BOLT | 1 | |
| 3 | 92995-06600-00 | WASHER | 1 | |
| 4 | 6C5-2247A-00-00 | HOSE 1 | 1 | |
| 5 | 67F-24377-00-00 | PIPE, JOINT 2 | 1 | |
| 6 | 90445-13M02-00 | HOSE (L40) | 1 | |
| 7 | 90465-11M10-00 | CLAMP | 2 | |
| 8 | 90467-09M17-00 | CLIP | 1 | |
| 9 | 6D8-24560-00-00 | FILTER ASSY | 1 | |
| 10 | 6D8-24563-00-00 | .ELEMENT, FILTER | 1 | |
| 11 | 6D8-24564-00-00 | .GASKET | 1 | |
| 12 | 6D8-24562-00-00 | .CUP, FILTER | 1 | |
| 13 | 6D8-24469-00-00 | ..FLOAT, WATER LEVEL | 1 | |
| 14 | 6D8-24519-00-00 | ..CLIP | 1 | |
| 15 | 6C5-24566-01-00 | BRACKET, FILTER | 1 | |
| 16 | 95895-08016-00 | BOLT, FLANGE | 1 | |
| 17 | 95380-08600-00 | NUT | 1 | |
| 18 | 90445-13M36-00 | HOSE (L350) | 1 | |
| 19 | 90467-10M04-00 | CLIP | 2 | |
| 20 | 6C5-24410-00-00 | FUEL PUMP ASSY | 1 | |
| 21 | 6C5-24415-00-00 | .BODY 4 | 1 | |
| 22 | 62Y-24411-02-00 | .DIAPHRAGM | 1 | |
| 23 | 62Y-24423-00-00 | .SPRING, DIAPHRAGM | 1 | |
| 24 | 62Y-13131-00-00 | .PLUNGER | 1 | |
| 25 | 62Y-24454-00-00 | .SPRING | 1 | |
| 26 | 62Y-24444-01-00 | .SCREW | 4 | |
| 27 | 6C5-24471-00-00 | .DIAPHRAGM | 1 | |
| 28 | 95380-05600-00 | .NUT | 4 | |
| 29 | 62Y-24374-01-00 | .PIN | 1 | |
| 30 | 93210-24M79-00 | .O-RING | 1 | |
| 31 | 97095-06030-00 | BOLT | 2 | |
| 32 | 92995-06600-00 | WASHER | 2 | |
| 33 | 90467-10M04-00 | CLIP | 2 | |
| 34 | 90446-14M62-00 | HOSE (L320) | 1 | |

T60TLR 0408 / FUEL 2



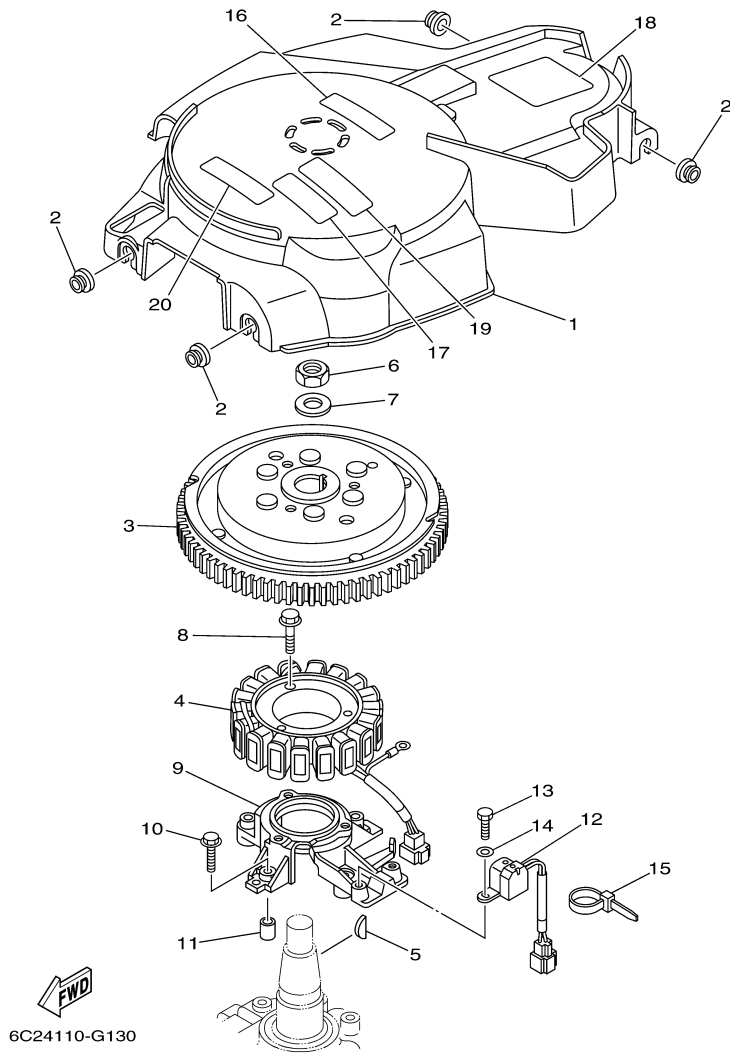
©2014 Yamaha Motor Corporation, U.S.A. All rights reserved.

Part List

T60TLR 0408 / FUEL 2

| REF - NO | PART NUMBER | PART NAME | QUANTITY | REMARKS |
|----------------|-----------------|-------------------------|----------|---------|
| 1 | 6Y2-24306-56-00 | FUEL PIPE COMP. 1 | 1 | AP |
| 2 | 6E5-24305-06-00 | .FUEL PIPE JOINT COMP 2 | 1 | |
| 3 | 93210-08287-00 | ..O-RING | 1 | |
| 4 | 6Y2-24305-06-00 | .FUEL PIPE JOINT COMP 2 | 1 | |
| 5 | 93210-08287-00 | ..O-RING | 1 | |
| 6 | 90445-13M01-00 | .HOSE (L2050) | 1 | |
| 7 | 6E5-24351-51-00 | .BAND 1 | 4 | |
| 8 | 90445-13M00-00 | .HOSE (L850) | 1 | |
| 9 | 6Y2-24360-60-00 | .PRIMER PUMP ASSY | 1 | |

T60TLR 0408 / GENERATOR



©2014 Yamaha Motor Corporation, U.S.A. All rights reserved.


Part List

T60TLR 0408 / GENERATOR

| REF - NO | PART NUMBER | PART NAME | QUANTITY | REMARKS |
|----------------|-----------------|-----------------|----------|---------|
| 1 | 6C5-81337-00-00 | COVER, FLYWHEEL | 1 | |
| 2 | 90480-12072-00 | GROMMET | 4 | |
| 3 | 6C5-81450-00-00 | ROTOR ASSY | 1 | |
| 4 | 6C5-81410-00-00 | STATOR ASSY | 1 | |
| 5 | 6H4-11545-00-00 | KEY, WOODRUFF | 1 | |
| 6 | 90170-20137-00 | NUT | 1 | |
| 7 | 90201-21M18-00 | WASHER, PLATE | 1 | |
| 8 | 95023-06030-00 | BOLT | 3 | |
| 9 | 6C5-85561-00-94 | BASE, MAGNETO | 1 | |
| 10 | 95023-06030-00 | BOLT | 4 | |
| 11 | 99530-08012-00 | PIN, DOWEL | 2 | |
| 12 | 62Y-85580-00-00 | COIL, PULSER | 1 | |
| 13 | 97095-05012-00 | BOLT | 2 | |
| 14 | 92995-05600-00 | WASHER | 2 | |
| 15 | 90465-13M97-00 | CLAMP | 1 | |
| 16 | 6C5-13437-41-00 | MARK, CAUTION | 1 | |
| 17 | 6AH-81995-40-00 | LABEL, WARNING | 1 | |
| 18 | 62Y-83626-00-00 | MARK 6 | 1 | |
| 19 | 6AH-81994-40-00 | LABEL, SAFETY | 1 | |
| 20 | 6AG-81996-00-00 | MARK | 1 | |

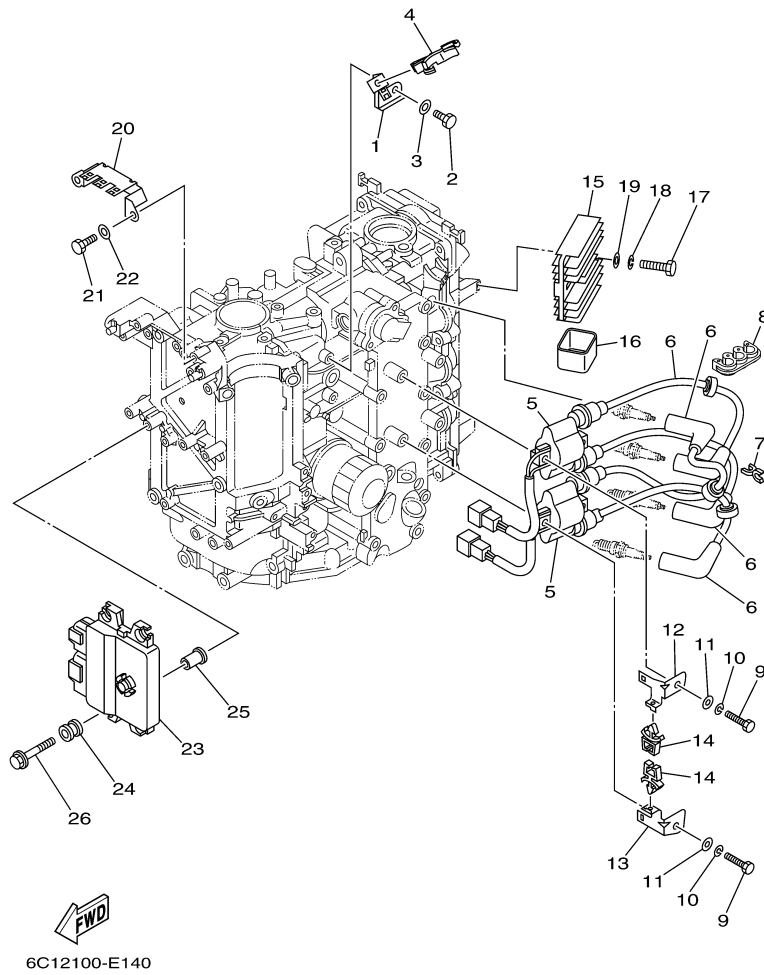
Part Notes

T60TLR 0408 / GENERATOR

| PART NUMBER | NOTE TEXT |
|--|---|
| 90480-12072-00  | OEM: GROMMET used on F115TLR and F/LF115TXR 0410 Production and Earlier |

©2014 Yamaha Motor Corporation, U.S.A. All rights reserved.

T60TLR 0408 / ELECTRICAL 1



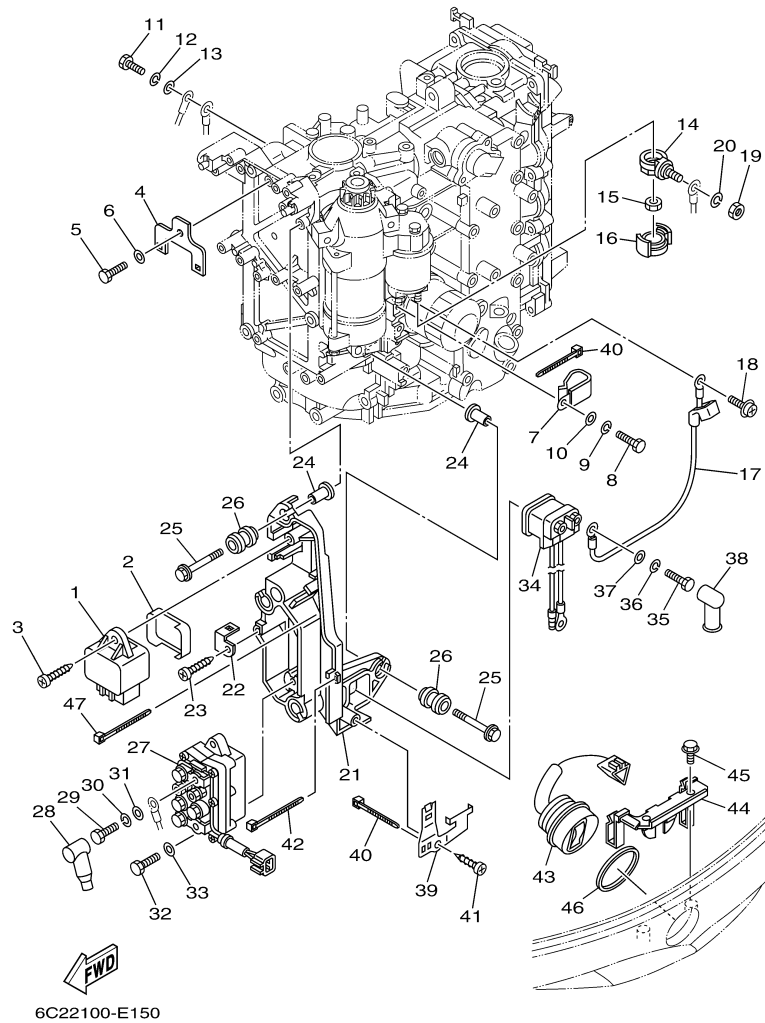
©2014 Yamaha Motor Corporation, U.S.A. All rights reserved.

Part List

T60TLR 0408 / ELECTRICAL 1

| REF - NO | PART NUMBER | PART NAME | QUANTITY | REMARKS |
|----------------|-----------------|-------------------------------|----------|---------|
| 1 | 6C5-85525-00-00 | PLATE | 1 | |
| 2 | 97095-06014-00 | BOLT | 1 | |
| 3 | 92995-06600-00 | WASHER | 1 | |
| 4 | 90464-18246-00 | CLAMP | 1 | |
| 5 | 63P-82310-01-00 | IGNITION COIL ASSY | 2 | |
| 6 | 6C5-82340-01-00 | HIGH TENSION CORD ASSY 1 | 4 | |
| 7 | 90464-07M41-00 | CLAMP | 2 | |
| 8 | 90464-07M05-00 | CLAMP | 1 | |
| 9 | 97095-06030-00 | BOLT | 4 | |
| 10 | 92995-06100-00 | WASHER, SPRING | 4 | |
| 11 | 92995-06600-00 | WASHER | 4 | |
| 12 | 6C5-82316-01-00 | BRACKET, IGNITION COIL | 1 | |
| 13 | 6C5-82316-11-00 | BRACKET, IGNITION COIL | 1 | |
| 14 | 90464-06001-00 | CLAMP | 2 | |
| 15 | 6D3-81960-00-00 | RECTIFIER & REGULATOR ASSY | 1 | |
| 16 | 6C5-81961-00-00 | COVER | 1 | |
| 17 | 97095-06025-00 | BOLT | 2 | |
| 18 | 92995-06100-00 | WASHER, SPRING | 2 | |
| 19 | 92995-06600-00 | WASHER | 2 | |
| 20 | 6C5-82171-00-00 | STAY, FUSE BOX | 1 | |
| 21 | 97095-06014-00 | BOLT | 2 | |
| 22 | 92995-06600-00 | WASHER | 2 | |
| 23 | 6C5-8591A-31-00 | ENGINE CONTROL UNIT ASSY | 1 | |
| 24 | 6C5-82317-00-00 | DAMPER, IGNITION COIL | 4 | |
| 25 | 90387-06119-00 | COLLAR | 4 | |
| 26 | 90119-06M59-00 | BOLT, WITH WASHER | 4 | |

T60TLR 0408 / ELECTRICAL 2



6C22100-E150

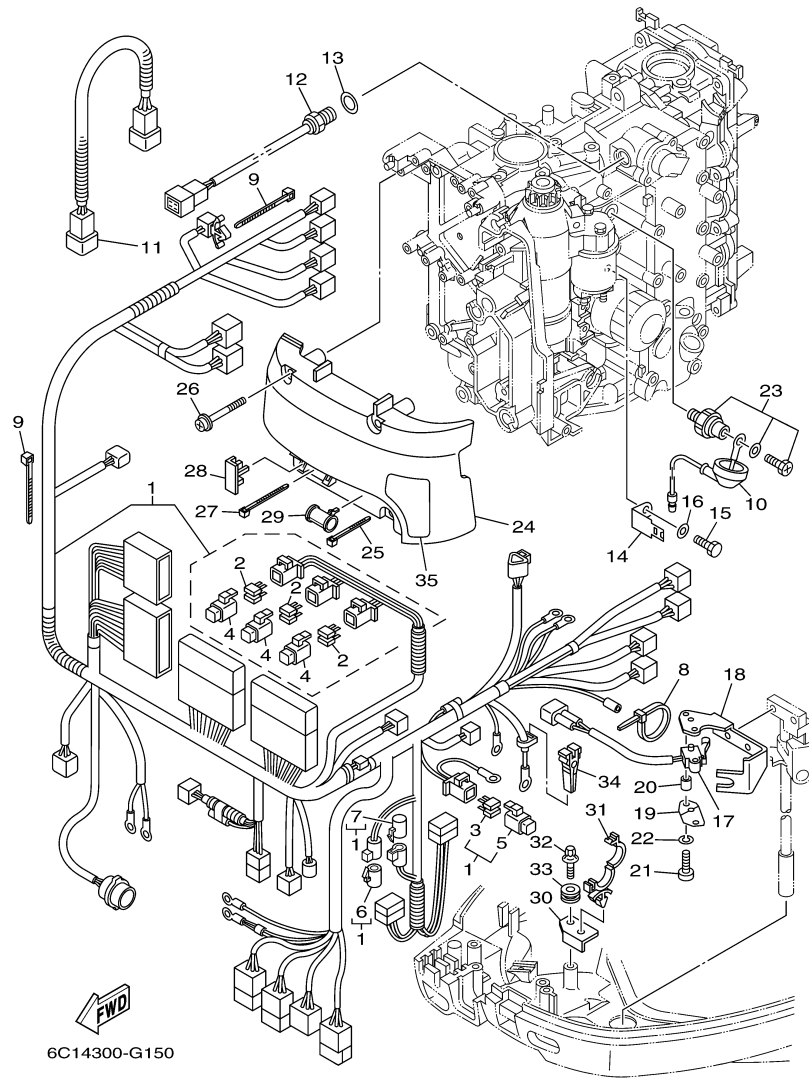
©2014 Yamaha Motor Corporation, U.S.A. All rights reserved.

Part List

T60TLR 0408 / ELECTRICAL 2

| REF - NO | PART NUMBER | PART NAME | QUANTITY | REMARKS |
|----------------|-----------------|-------------------------|----------|---------|
| 1 | 60E-81950-00-00 | RELAY ASSY | 1 | |
| 2 | 6C5-81336-00-00 | GROMMET | 1 | |
| 3 | 97780-60620-00 | SCREW, TAPPING | 1 | |
| 4 | 6C5-8257V-00-00 | PLATE, CONNECTOR | 1 | |
| 5 | 97095-06014-00 | BOLT | 1 | |
| 6 | 92995-06600-00 | WASHER | 1 | |
| 7 | 90465-05M87-00 | CLAMP | 1 | |
| 8 | 97095-06020-00 | BOLT | 4 | |
| 9 | 92995-06100-00 | WASHER, SPRING | 4 | |
| 10 | 92995-06600-00 | WASHER | 4 | |
| 11 | 97095-06020-00 | BOLT | 1 | |
| 12 | 92995-06100-00 | WASHER, SPRING | 1 | |
| 13 | 92995-06600-00 | WASHER | 1 | |
| 14 | 60V-81925-00-00 | TERMINAL | 1 | |
| 15 | 90179-08003-00 | NUT | 1 | |
| 16 | 68F-82582-00-00 | COVER, WIRE HARNESS | 1 | |
| 17 | 6C5-81815-00-00 | CORD, STARTER MOTOR | 1 | |
| 18 | 90159-04005-00 | SCREW, WITH WASHER | 1 | |
| 19 | 95333-08600-00 | NUT | 1 | |
| 20 | 92903-08100-00 | WASHER, SPRING | 1 | |
| 21 | 6C5-81948-00-00 | BRACKET | 1 | |
| 22 | 6C5-85548-00-00 | HOLDER | 1 | |
| 23 | 97780-60620-00 | SCREW, TAPPING | 1 | |
| 24 | 90387-06119-00 | COLLAR | 4 | |
| 25 | 90119-06M59-00 | BOLT, WITH WASHER | 4 | |
| 26 | 6A0-82317-00-00 | DAMPER, IGNITION COIL | 4 | |
| 27 | 63P-81950-00-00 | RELAY ASSY | 1 | |
| 28 | 682-82119-01-00 | COVER, LEAD WIRE | 2 | |
| 29 | 97095-06010-00 | BOLT | 2 | |
| 30 | 92995-06100-00 | WASHER, SPRING | 2 | |
| 31 | 92995-06600-00 | WASHER | 2 | |
| 32 | 97013-06020-00 | BOLT | 2 | |
| 33 | 92903-06600-00 | WASHER, PLATE | 2 | |
| 34 | 68V-8194A-00-00 | RELAY | 1 | |
| 35 | 97095-06010-00 | BOLT | 2 | |
| 36 | 92995-06100-00 | WASHER, SPRING | 2 | |
| 37 | 92995-06600-00 | WASHER | 2 | |
| 38 | 6G5-82119-00-00 | COVER, LEAD WIRE | 2 | |
| 39 | 6C5-81953-00-00 | STAY, RELAY | 1 | |
| 40 | 90465-11M10-00 | CLAMP | 2 | |
| 41 | 97780-60620-00 | SCREW, TAPPING | 1 | |
| 42 | 90465-13M97-00 | CLAMP | 1 | |
| 43 | 63D-82563-10-00 | TRIM & TILT SWITCH ASSY | 1 | |
| 44 | 6C5-83614-01-00 | BRACKET | 1 | |
| 45 | 90109-06M86-00 | BOLT | 2 | |
| 46 | 6E5-82587-00-00 | GASKET | 1 | |
| 47 | 90465-13M97-00 | CLAMP | 2 | |

T60TLR 0408 / ELECTRICAL 3



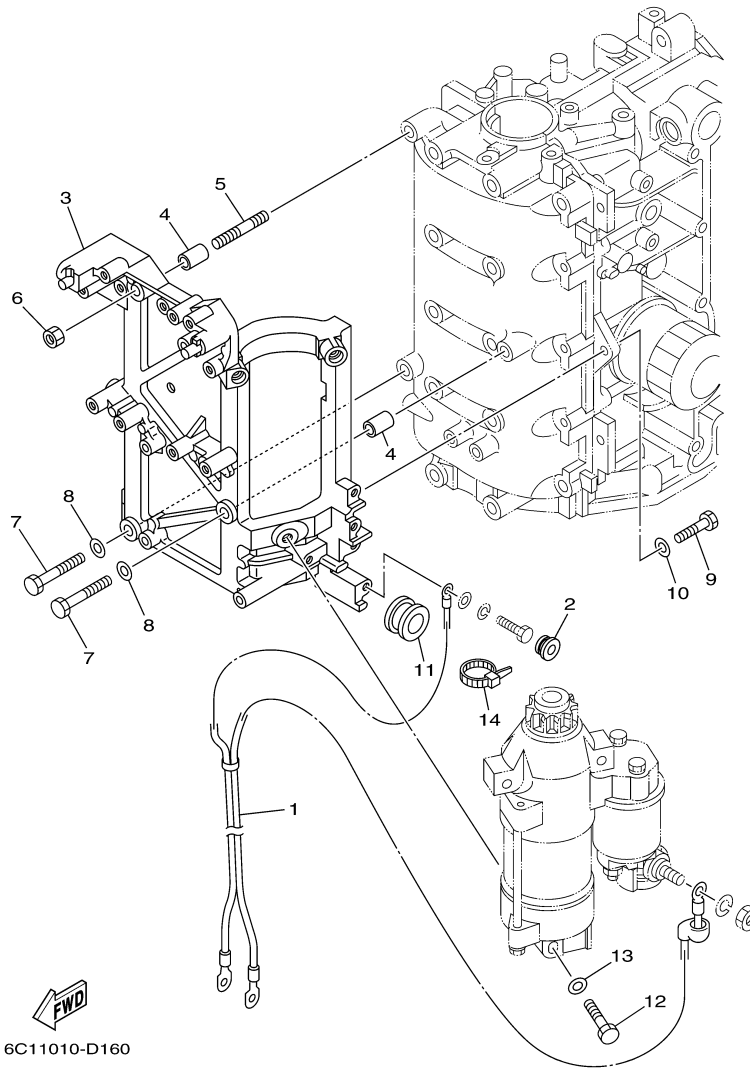
©2014 Yamaha Motor Corporation, U.S.A. All rights reserved.

Part List

T60TLR 0408 / ELECTRICAL 3

| REF - NO | PART NUMBER | PART NAME | QUANTITY | REMARKS |
|----------------|-----------------|--------------------------|----------|---------|
| 1 | 6C5-82590-40-00 | WIRE HARNESS ASSY | 1 | |
| 2 | 67F-82151-00-00 | .FUSE (20A) | 6 | |
| 3 | 67F-82151-10-00 | .FUSE (30A) | 2 | |
| 4 | 67F-8215B-10-00 | .CAP (YELLOW) | 3 | |
| 5 | 67F-8215B-20-00 | .CAP (GREEN) | 1 | |
| 6 | 6P2-82582-00-00 | .CAP 1 (FEMALE) | 1 | |
| 7 | 6P2-82582-10-00 | .CAP 1 (MALE) | 1 | |
| 8 | 90465-13M24-00 | CLAMP | 1 | |
| 9 | 90465-13M11-00 | CLAMP | 2 | |
| 10 | 68V-81315-00-00 | LEAD WIRE ASSY | 1 | |
| 11 | 6C5-82553-00-00 | EXTENSION, WIRE LEAD | 1 | |
| 12 | 6C5-85790-00-00 | THERMOSENSOR ASSY | 1 | |
| 13 | 90430-14115-00 | .GASKET | 1 | |
| 14 | 6C5-82388-00-00 | PLATE | 1 | |
| 15 | 97095-06014-00 | BOLT | 1 | |
| 16 | 92995-06600-00 | WASHER | 1 | |
| 17 | 60V-8259F-00-00 | SWITCH ASSY | 1 | |
| 18 | 6C5-82554-01-00 | STAY, NEUTRAL SWITCH | 1 | |
| 19 | 61A-82588-01-00 | PLATE | 1 | |
| 20 | 90387-04001-00 | COLLAR | 1 | |
| 21 | 97885-04016-00 | SCREW, PAN HEAD | 2 | |
| 22 | 92995-04100-00 | WASHER | 2 | |
| 23 | 64J-82504-00-00 | OIL PRESSURE SWITCH ASSY | 1 | |
| 24 | 6C5-81942-00-00 | COVER | 1 | |
| 25 | 90465-13M39-00 | CLAMP | 1 | |
| 26 | 90159-06M14-00 | SCREW, WITH WASHER | 4 | |
| 27 | 90465-13M24-00 | CLAMP | 1 | |
| 28 | 6C5-82176-00-00 | DAMPER | 2 | |
| 29 | 6C5-8252R-00-00 | DAMPER | 1 | |
| 30 | 6C5-42811-00-00 | STAY | 1 | |
| 31 | 90464-18007-00 | CLAMP | 1 | |
| 32 | 90119-06077-00 | BOLT, WITH WASHER | 1 | |
| 33 | 90480-13598-00 | GROMMET | 1 | |
| 34 | 67F-2812A-00-00 | .PULLER, FUSE | 1 | |
| 35 | 6C5-81919-00-00 | GRAPHIC, REGULATOR | 1 | |

T60TLR 0408 / ELECTRICAL 4



©2014 Yamaha Motor Corporation, U.S.A. All rights reserved.


Part List

T60TLR 0408 / ELECTRICAL 4

| REF - NO | PART NUMBER | PART NAME | QUANTITY | REMARKS |
|----------------|-----------------|-------------------------|----------|---------|
| 1 | 6C5-82105-U0-00 | BATTERY CABLE | 1 | |
| 2 | 90480-12072-00 | GROMMET | 1 | |
| 3 | 6C5-81822-00-94 | BRACKET, STARTING MOTOR | 1 | |
| 4 | 99590-10114-00 | .PIN, DOWEL | 2 | |
| 5 | 95680-08330-00 | BOLT, STUD | 1 | |
| 6 | 95380-08600-00 | NUT | 1 | |
| 7 | 97095-08035-00 | BOLT | 2 | |
| 8 | 92995-08600-00 | WASHER | 2 | |
| 9 | 97095-08025-00 | BOLT | 2 | |
| 10 | 92995-08600-00 | WASHER | 2 | |
| 11 | 90480-24003-00 | GROMMET | 1 | |
| 12 | 97013-08045-00 | BOLT | 3 | |
| 13 | 92903-08600-00 | WASHER, PLATE | 3 | |
| 14 | 90465-13M18-00 | CLAMP | 1 | |

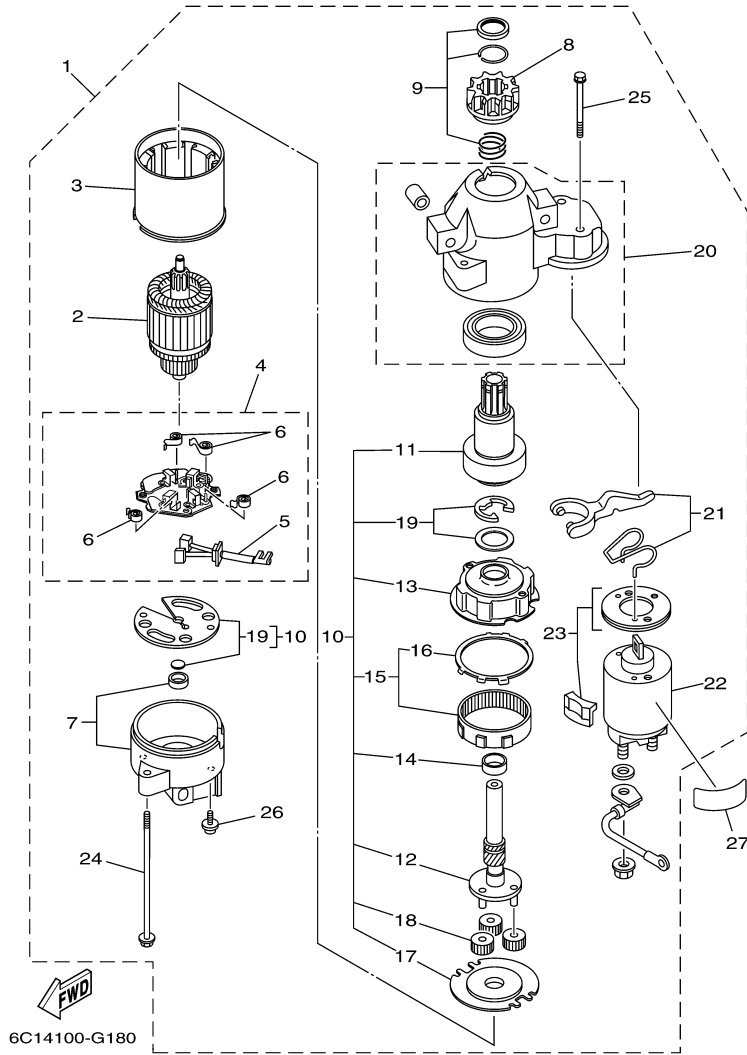
Part Notes

T60TLR 0408 / ELECTRICAL 4

| PART NUMBER | NOTE TEXT |
|--|---|
| 90480-12072-00  | OEM: GROMMET used on F115TLR and F/LF115TXR 0410 Production and Earlier |

©2014 Yamaha Motor Corporation, U.S.A. All rights reserved.

T60TLR 0408 / STARTING MOTOR



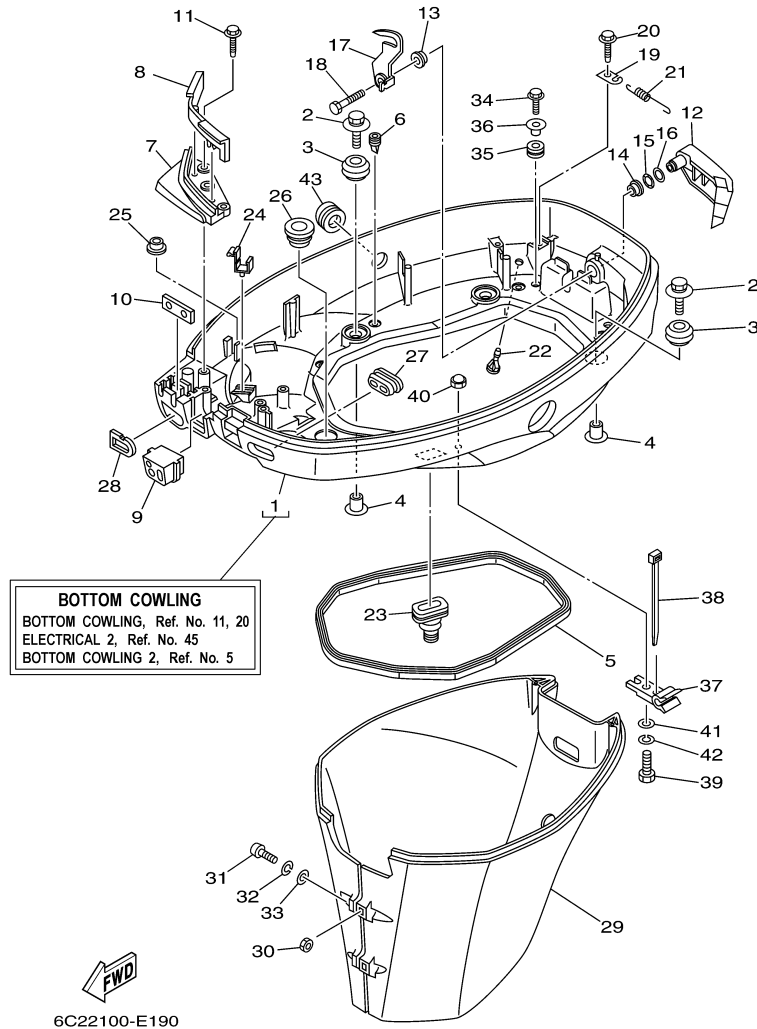
©2014 Yamaha Motor Corporation, U.S.A. All rights reserved.

Part List

T60TLR 0408 / STARTING MOTOR

| REF - NO | PART NUMBER | PART NAME | QUANTITY | REMARKS |
|----------------|-----------------|-------------------------------|----------|---------|
| 1 | 6C5-81800-00-00 | STARTING MOTOR ASSY | 1 | |
| 2 | 67F-81850-00-00 | .ARMATURE ASSY | 1 | |
| 3 | 67F-81810-00-00 | .STATOR ASSY | 1 | |
| 4 | 69J-81840-00-00 | .BRUSH HOLDER ASSY | 1 | |
| 5 | 69J-81801-00-00 | ..BRUSH SET | 1 | |
| 6 | 67F-81813-00-00 | ..SPRING, BRUSH | 4 | |
| 7 | 68F-81820-00-00 | .REAR BRACKET ASSY | 1 | |
| 8 | 67F-81808-00-00 | .PINION ASSY | 1 | |
| 9 | 67F-81857-00-00 | .PINION STOPPER SET | 1 | |
| 10 | 67F-81807-00-00 | .GEAR ASSY, STARTING MOTOR | 1 | |
| 11 | 67F-81832-00-00 | ..CLUTCH, OVER RUN | 1 | |
| 12 | 67F-81836-00-00 | ..SHAFT, PINION | 1 | |
| 13 | 67F-81821-00-00 | ..BRACKET, CENTER 1 | 1 | |
| 14 | 67F-81841-00-00 | ..BEARING | 1 | |
| 15 | 67F-81891-00-00 | ..GEAR, RING | 1 | |
| 16 | 67F-8183R-00-00 | ...GASKET | 1 | |
| 17 | 67F-81830-00-00 | ..BRACKET, CENTER 2 | 1 | |
| 18 | 60V-8183T-00-00 | ..GEAR, IDLER | 3 | |
| 19 | 67F-81809-00-00 | ..WASHER KIT | 1 | |
| 20 | 60X-81842-00-00 | .COVER | 1 | |
| 21 | 69J-81839-00-00 | .LEVER ASSY | 1 | |
| 22 | 6C5-81941-00-00 | .STARTER RELAY ASSY | 1 | |
| 23 | 69J-81869-00-00 | .COVER, DUST | 1 | |
| 24 | 6K7-81826-11-00 | .BOLT | 2 | |
| 25 | 69J-81828-00-00 | .SCREW 2 | 2 | |
| 26 | 67F-81846-00-00 | .SCREW | 2 | |
| 27 | 67F-83627-01-00 | LABEL, CAUTION 7 | 1 | |

T60TLR 0408 / BOTTOM COWLING 1



©2014 Yamaha Motor Corporation, U.S.A. All rights reserved.



Part List

T60TLR 0408 / BOTTOM COWLING 1

| REF - NO | PART NUMBER | PART NAME | QUANTITY | REMARKS |
|----------------|-----------------|-----------------------|----------|---------|
| 1 | 6C5-42710-10-8D | BOTTOM COWLING ASSY | 1 | |
| 2 | 90119-06M08-00 | BOLT, WITH WASHER | 4 | |
| 3 | 90480-09M12-00 | GROMMET | 4 | |
| 4 | 90387-06060-00 | COLLAR | 4 | |
| 5 | 62Y-42716-00-00 | RUBBER, SEAL 1 | 1 | |
| 6 | 65W-42717-00-00 | RUBBER, SEAL 2 | 4 | |
| 7 | 6C5-42738-00-8D | PLATE, FITTING | 1 | |
| 8 | 6C5-42718-00-00 | RUBBER, SEAL 3 | 1 | |
| 9 | 6C5-42725-30-00 | GROMMET | 1 | |
| 10 | 62Y-42727-00-00 | GROMMET | 1 | |
| 11 | 90109-06M81-00 | BOLT | 3 | |
| 12 | 67C-42815-00-8D | LEVER, CLAMP | 1 | |
| 13 | 90386-12M37-00 | BUSH | 1 | |
| 14 | 90386-12MA2-00 | BUSH | 1 | |
| 15 | 90206-12052-00 | WASHER, WAVE | 1 | |
| 16 | 90201-12M07-00 | WASHER, PLATE | 1 | |
| 17 | 67C-42816-01-00 | LEVER, CLAMP | 1 | |
| 18 | 97095-06014-00 | BOLT | 1 | |
| 19 | 66T-43144-00-00 | HOOK, SPRING | 1 | |
| 20 | 90109-06M86-00 | BOLT | 1 | |
| 21 | 90506-18M40-00 | SPRING, TENSION | 1 | |
| 22 | 6H3-44391-01-00 | NIPPLE, HOSE | 1 | |
| 23 | 6C5-42724-00-00 | GROMMET | 1 | |
| 24 | 90464-09M13-00 | CLAMP | 1 | |
| 25 | 6E7-82317-00-00 | DAMPER, IGNITION COIL | 1 | |
| 26 | 68U-42727-00-00 | GROMMET | 1 | |
| 27 | 6H3-42727-00-00 | GROMMET | 1 | |
| 28 | 61N-24329-00-00 | SEAL | 1 | |
| 29 | 67C-42741-10-8D | APRON | 1 | |
| 30 | 95380-06600-00 | NUT, HEXAGON | 2 | |
| 31 | 97880-06025-00 | SCREW, PAN HEAD | 2 | |
| 32 | 92990-06100-00 | ..WASHER, SPRING | 2 | |
| 33 | 92990-06600-00 | WASHER, PLATE | 2 | |
| 34 | 90109-06M80-00 | .BOLT | 2 | |
| 35 | 90480-13M24-00 | GROMMET | 2 | |
| 36 | 90387-06M43-00 | COLLAR | 2 | |
| 37 | 90464-09M49-00 | CLAMP | 1 | |
| 38 | 90465-11M10-00 | CLAMP | 2 | |
| 39 | 97095-06020-00 | BOLT | 1 | |
| 40 | 95380-06800-00 | NUT | 1 | |
| 41 | 92990-06600-00 | WASHER, PLATE | 1 | |
| 42 | 92995-06100-00 | WASHER, SPRING | 1 | |
| 43 | 6C5-42726-00-00 | GROMMET | 1 | |

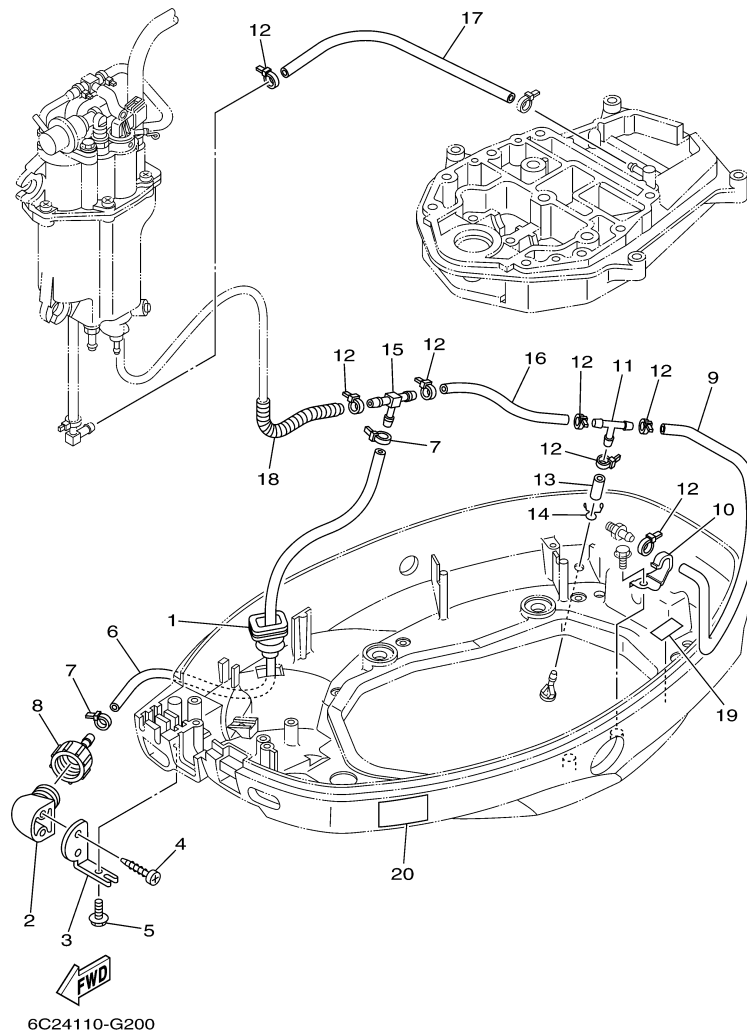
Part Notes

T60TLR 0408 / BOTTOM COWLING 1

| PART NUMBER | | NOTE TEXT |
|----------------|---|--|
| 92990-06600-00 |  | OEM: This part number is among the Top 100 Most Popular Marine Maintenance Parts as of March 2014. |
| 92990-06600-00 |  | OEM: This part number is among the Top 100 Most Popular Marine Maintenance Parts as of March 2014. |

©2014 Yamaha Motor Corporation, U.S.A. All rights reserved.

T60TLR 0408 / BOTTOM COWLING 2



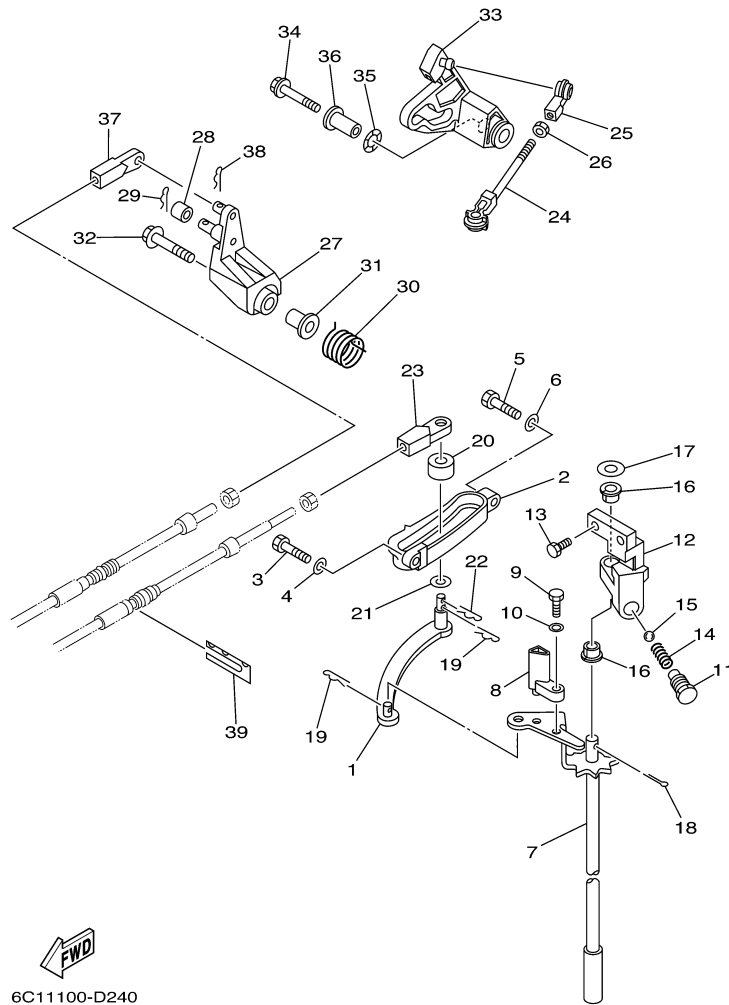
©2014 Yamaha Motor Corporation, U.S.A. All rights reserved.

Part List

T60TLR 0408 / BOTTOM COWLING 2

| REF - NO | PART NUMBER | PART NAME | QUANTITY | REMARKS |
|----------------|-----------------|--------------------------|----------|---------|
| 1 | 65W-42724-10-00 | GROMMET | 1 | |
| 2 | 68T-12572-00-00 | ADAPTER | 1 | |
| 3 | 69W-12535-00-00 | PLATE | 1 | |
| 4 | 90167-06002-00 | SCREW, TAPPING | 2 | |
| 5 | 90109-06M80-00 | .BOLT | 1 | |
| 6 | 6C5-24312-00-00 | PIPE 2 | 1 | |
| 7 | 90465-11M10-00 | CLAMP | 2 | |
| 8 | 6R3-12580-00-00 | JOINT ASSY | 1 | |
| 9 | 90445-09226-00 | HOSE (L390) | 1 | |
| 10 | 90462-08031-00 | CLAMP | 1 | |
| 11 | 688-24378-00-00 | PIPE, JOINT 3 | 1 | |
| 12 | 90465-11M10-00 | CLAMP | 7 | |
| 13 | 90445-09220-00 | HOSE (L30) | 1 | |
| 14 | 90467-08M18-00 | CLIP | 1 | |
| 15 | 6C5-24378-00-00 | PIPE, JOINT 3 | 1 | |
| 16 | 90445-09091-00 | HOSE (L135) | 1 | |
| 17 | 90445-09104-00 | HOSE (L300) | 1 | |
| 18 | 90447-10006-00 | TUBE | 1 | |
| 19 | 6C5-82377-00-00 | LABEL | 1 | |
| 20 | 6AH-42794-40-00 | LABEL, WARNING (GENERAL) | 1 | |

T60TLR 0408 / CONTROL



6C11100-D240

©2014 Yamaha Motor Corporation, U.S.A. All rights reserved.




Part List

T60TLR 0408 / CONTROL

| REF - NO | PART NUMBER | PART NAME | QUANTITY | REMARKS |
|----------------|-----------------|---------------------------|----------|----------|
| 1 | 69W-44121-00-00 | LEVER, SHIFT ROD | 1 | |
| 2 | 62Y-44117-01-9S | BRACKET | 1 | |
| 3 | 97095-06020-00 | BOLT | 1 | |
| 4 | 92995-06600-00 | WASHER | 1 | |
| 5 | 97095-06025-00 | BOLT | 1 | |
| 6 | 92995-06600-00 | WASHER | 1 | |
| 7 | 6C5-44120-01-00 | HANDLE GEAR SHIFT ASSY | 1 | L(20.7") |
| 8 | 6C5-44122-00-00 | BUSHING, SHIFT ROD LEVER | 1 | |
| 9 | 97095-05014-00 | .BOLT | 1 | |
| 10 | 92995-05600-00 | WASHER | 1 | |
| 11 | 62Y-42715-01-00 | BUSHING | 1 | |
| 12 | 62Y-44118-00-00 | BRACKET | 1 | |
| 13 | 90101-06054-00 | BOLT | 2 | |
| 14 | 90501-12082-00 | SPRING, COMPRESSION | 1 | |
| 15 | 93501-04M02-00 | BALL | 1 | |
| 16 | 90386-90M90-00 | BUSH | 2 | |
| 17 | 90201-10M20-00 | .WASHER, PLATE | 1 | |
| 18 | 91490-20015-00 | PIN. COTTER | 1 | |
| 19 | 90468-18008-00 | CLIP | 2 | |
| 20 | 688-44122-00-00 | BUSHING, SHIFT ROD LEVER | 1 | |
| 21 | 90202-07M07-00 | WASHER, PLATE | 1 | |
| 22 | 90468-18008-00 | CLIP | 1 | |
| 23 | 69W-48344-00-00 | CABLE END, REMOTE CONTROL | 1 | |
| 24 | 688-41211-01-00 | LINK, ACCEL. | 1 | |
| 25 | 6H4-41237-00-00 | JOINT, LINK | 1 | |
| 26 | 95380-05700-00 | NUT | 1 | |
| 27 | 62Y-42154-00-00 | LEVER, THROTTLE CONTROL | 1 | |
| 28 | 6C5-42171-00-00 | BUSHING | 1 | |
| 29 | 91490-16010-00 | PIN. COTTER | 1 | |
| 30 | 62Y-44135-00-00 | SPRING | 1 | |
| 31 | 90387-06M45-00 | COLLAR | 1 | |
| 32 | 90119-06106-00 | BOLT, WITH WASHER | 1 | |
| 33 | 6C5-42335-00-00 | LEVER, ACCEL. CONTROL | 1 | |
| 34 | 95895-06035-00 | BOLT, FLANGE | 1 | |
| 35 | 90206-10M04-00 | WASHER, WAVE | 1 | |
| 36 | 90387-06M82-00 | COLLAR | 1 | |
| 37 | 69W-48344-00-00 | CABLE END, REMOTE CONTROL | 1 | |
| 38 | 90468-18008-00 | CLIP | 1 | |
| 39 | 62Y-48538-00-00 | CLAMP, CABLE 1 | 1 | |

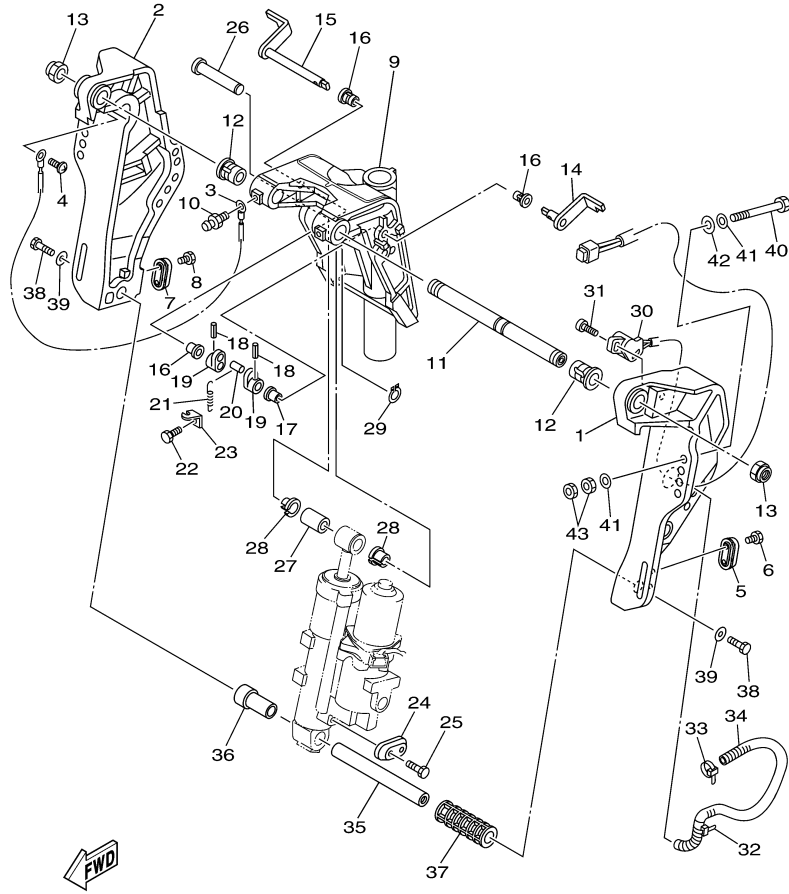
Part Notes

T60TLR 0408 / CONTROL

| PART NUMBER | NOTE TEXT |
|--|--|
| 90468-18008-00  | OEM: This part number is among the Top 100 Most Popular Marine Maintenance Parts as of March 2014. |
| 90468-18008-00  | OEM: This part number is among the Top 100 Most Popular Marine Maintenance Parts as of March 2014. |
| 90468-18008-00  | OEM: This part number is among the Top 100 Most Popular Marine Maintenance Parts as of March 2014. |

©2014 Yamaha Motor Corporation, U.S.A. All rights reserved.

T60TLR 0408 / BRACKET 1



6C11110-D220

©2014 Yamaha Motor Corporation, U.S.A. All rights reserved.




Part List

T60TLR 0408 / BRACKET 1

| REF - NO | PART NUMBER | PART NAME | QUANTITY | REMARKS |
|----------|-----------------|------------------------|----------|---------|
| 1 | 6C5-43111-00-8D | BRACKET, CLAMP 1 | 1 | |
| 2 | 6C5-43112-00-8D | BRACKET, CLAMP 2 | 1 | |
| 3 | 6E5-82148-00-00 | WIRE, LEAD 4 | 1 | |
| 4 | 97885-06008-00 | SCREW, PAN HEAD | 1 | |
| 5 | 65W-45251-00-00 | ANODE | 1 | |
| 6 | 90101-06020-00 | BOLT | 2 | |
| 7 | 65W-45251-00-00 | ANODE | 1 | |
| 8 | 90101-06020-00 | BOLT | 2 | |
| 9 | 6C5-43311-00-8D | BRACKET, SWIVEL 1 | 1 | |
| 10 | 93700-06M03-00 | NIPPLE, GREASE | 3 | |
| 11 | 63D-43131-10-00 | BOLT, CLAMP BRACKET | 1 | |
| 12 | 90386-22MA4-00 | BUSH | 2 | |
| 13 | 90185-22007-00 | NUT, SELF-LOCKING | 2 | |
| 14 | 6C5-43181-10-00 | LEVER, TILT STOP | 1 | |
| 15 | 6C5-43185-10-00 | LEVER, TILT STOP | 1 | |
| 16 | 90386-10M16-00 | BUSH | 3 | |
| 17 | 90386-10025-00 | .BUSH | 1 | |
| 18 | 91690-30020-00 | PIN, SPRING | 2 | |
| 19 | 6G5-43148-00-00 | COLLAR, DISTANCE | 2 | |
| 20 | 90249-06M19-00 | PIN | 1 | |
| 21 | 90506-14M24-00 | SPRING, TENSION | 1 | |
| 22 | 97095-06010-00 | BOLT | 1 | |
| 23 | 6G5-43144-00-00 | HOOK, SPRING | 1 | |
| 24 | 65W-45251-00-00 | ANODE | 1 | |
| 25 | 90101-06020-00 | BOLT | 2 | |
| 26 | 6E5-43126-02-00 | PIN, UPPER SHOCK MOUNT | 1 | |
| 27 | 90386-18M92-00 | BUSH | 1 | |
| 28 | 90386-18M35-00 | BUSH | 2 | |
| 29 | 93410-18M02-00 | CIRCLIP | 1 | |
| 30 | 63D-83672-10-00 | TRIM SENDER | 1 | |
| 31 | 97885-06016-00 | SCREW, PAN HEAD | 2 | |
| 32 | 90464-76001-00 | CLAMP | 1 | |
| 33 | 90465-11M10-00 | CLAMP | 1 | |
| 34 | 90447-19009-00 | TUBE | 1 | |
| 35 | 6C5-43818-00-00 | PIN, LOWER SHOCK MOUNT | 1 | |
| 36 | 6C5-43833-00-00 | PIPE | 1 | |
| 37 | 6C5-43834-00-00 | PIPE | 1 | |
| 38 | 90101-08016-00 | BOLT | 2 | |
| 39 | 90201-08064-00 | WASHER, PLATE | 2 | |
| 40 | 90101-12M65-00 | BOLT | 4 | |
| 41 | 92995-12200-00 | WASHER | 8 | |
| 42 | 90201-12426-00 | WASHER, PLATE | 4 | |
| 43 | 95380-12600-00 | NUT | 8 | |

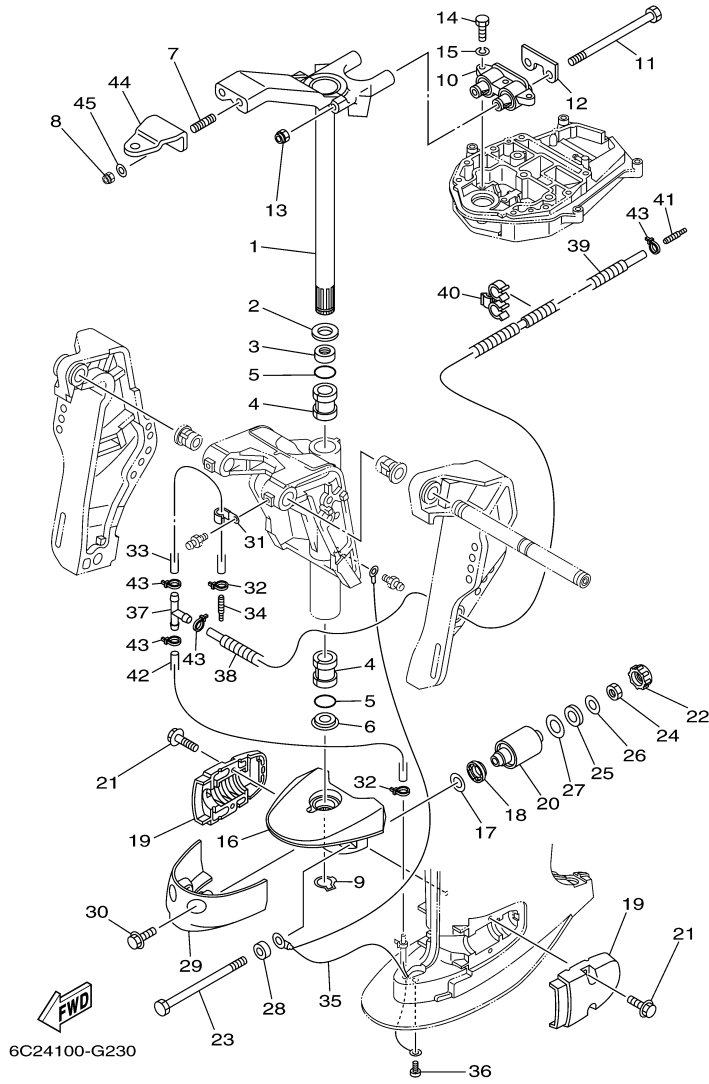
Part Notes

T60TLR 0408 / BRACKET 1

| PART NUMBER | NOTE TEXT |
|---|--|
| 65W-45251-00-00  | OEM: This part number is among the Top 100 Most Popular Marine Maintenance Parts as of March 2014. |
| 65W-45251-00-00  | OEM: This part number is among the Top 100 Most Popular Marine Maintenance Parts as of March 2014. |
| 65W-45251-00-00  | OEM: This part number is among the Top 100 Most Popular Marine Maintenance Parts as of March 2014. |

©2014 Yamaha Motor Corporation, U.S.A. All rights reserved.

T60TLR 0408 / BRACKET 2



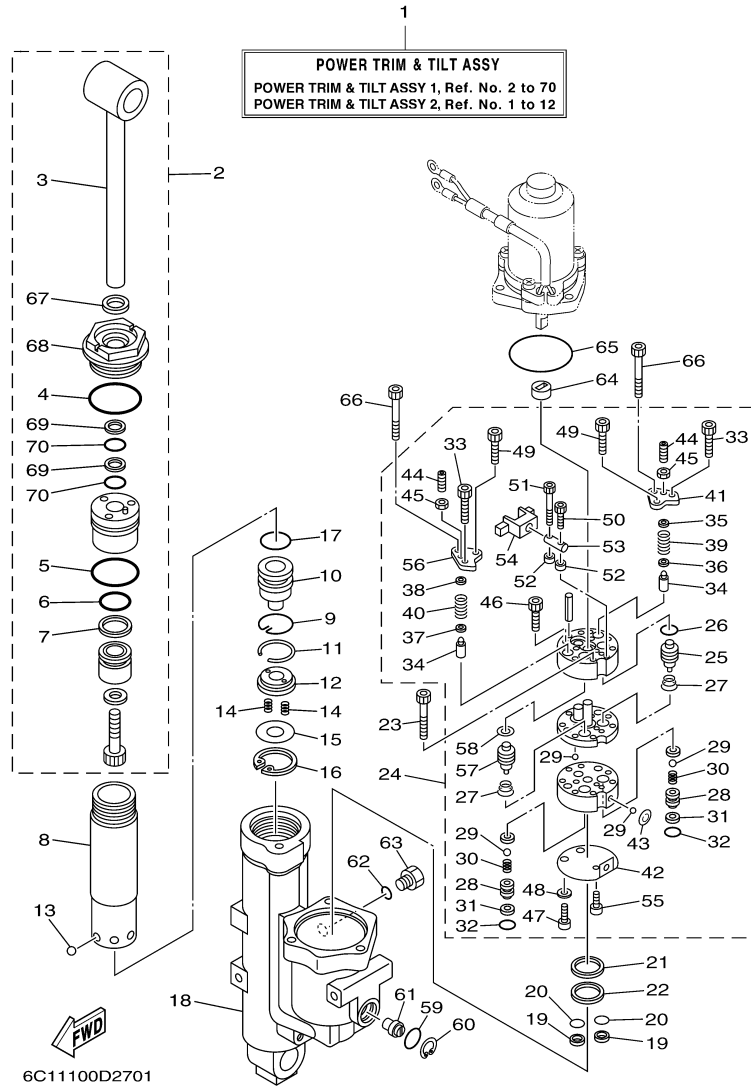
©2014 Yamaha Motor Corporation, U.S.A. All rights reserved.

Part List

T60TLR 0408 / BRACKET 2

| REF - NO | PART NUMBER | PART NAME | QUANTITY | REMARKS |
|----------------|-----------------|----------------------------------|----------|---------|
| 1 | 69W-42510-01-8D | STEERING BRACKET ASSY | 1 | |
| 2 | 90201-30M00-00 | WASHER, PLATE | 1 | |
| 3 | 90386-30M78-00 | BUSH | 1 | |
| 4 | 90386-30M77-00 | BUSH | 2 | |
| 5 | 93210-29M94-00 | O-RING | 2 | |
| 6 | 90386-30M60-00 | BUSH | 1 | |
| 7 | 90116-10038-00 | BOLT, STUD | 2 | |
| 8 | 90185-10015-00 | NUT, SELF-LOCKING | 2 | |
| 9 | 93410-28M06-00 | CIRCLIP | 1 | |
| 10 | 64J-44514-00-4D | MOUNT DAMPER, UPPER SIDE | 1 | |
| 11 | 90109-08103-00 | BOLT | 2 | |
| 12 | 69W-44526-01-00 | PLATE | 1 | |
| 13 | 90185-08010-00 | NUT, SELF-LOCKING | 2 | |
| 14 | 97075-08030-00 | BOLT | 3 | |
| 15 | 92995-08100-00 | WASHER | 3 | |
| 16 | 69W-44551-00-8D | HOUSING, LOWER MOUNT RUBBER 1 | 1 | |
| 17 | 90201-12M16-00 | WASHER, PLATE | 2 | |
| 18 | 6C5-43885-00-00 | GROMMET | 2 | |
| 19 | 6C5-44552-00-8D | HOUSING, LOWER MOUNT RUBBER 2 | 2 | |
| 20 | 69W-44555-00-4D | MOUNT DAMPER, LOWER SIDE | 2 | |
| 21 | 90119-08101-00 | BOLT, WITH WASHER | 4 | |
| 22 | 6C5-44575-00-00 | DAMPER, LOWER MOUNT RUBBER | 2 | |
| 23 | 90109-12MA3-00 | BOLT | 2 | |
| 24 | 95380-12700-00 | NUT | 2 | |
| 25 | 90202-21100-00 | WASHER, PLATE | 2 | |
| 26 | 90201-13M19-00 | WASHER, PLATE | 2 | |
| 27 | 90201-22M05-00 | WASHER, PLATE | 2 | |
| 28 | 6C6-43127-00-00 | COLLAR | 2 | |
| 29 | 67C-44553-00-8D | COVER, LOWER MOUNT | 1 | |
| 30 | 90119-08100-00 | BOLT, WITH WASHER | 2 | |
| 31 | 90465-06M86-00 | .CLAMP | 1 | |
| 32 | 90465-11M10-00 | CLAMP | 2 | |
| 33 | 90445-07MF2-00 | HOSE (L250) | 1 | |
| 34 | 6E5-83558-00-00 | END, NIPPLE | 1 | |
| 35 | 67C-82127-10-00 | WIRE, LEAD 2 | 1 | |
| 36 | 97885-06008-00 | SCREW, PAN HEAD | 1 | |
| 37 | 90413-05014-00 | WAY 3 | 1 | |
| 38 | 6C5-44385-00-00 | HOSE, WATER 1 | 1 | |
| 39 | 90447-07001-00 | HOSE, WITH SPRING (L400) | 1 | |
| 40 | 90464-10006-00 | CLAMP | 1 | |
| 41 | 6E5-83558-00-00 | END, NIPPLE | 1 | |
| 42 | 90445-07M30-00 | HOSE (L450) | 1 | |
| 43 | 90465-11M10-00 | CLAMP | 4 | |
| 44 | 65W-48511-10-00 | HOOK, STEERING | 1 | |
| 45 | 90201-10049-00 | WASHER, PLATE | 2 | |

T60TLR 0408 / POWER TRIM TILT ASSY 1



©2014 Yamaha Motor Corporation, U.S.A. All rights reserved.

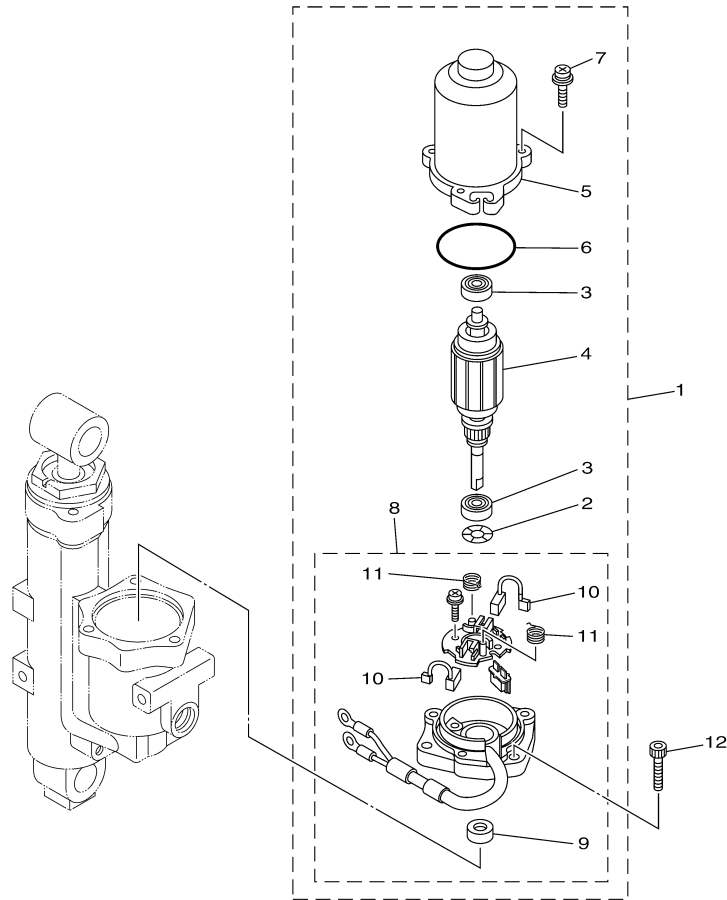
Part List

T60TLR 0408 / POWER TRIM TILT ASSY 1

| REF - NO | PART NUMBER | PART NAME | QUANTITY | REMARKS |
|----------------|-----------------|-----------------------------|----------|---------|
| 1 | 6C5-43800-01-8D | POWER TRIM & TILT ASSY | 1 | |
| 2 | 6C5-43810-00-00 | .TILT PISTON SUB ASSY | 1 | |
| 3 | 6C5-43801-00-00 | ..ROD | 1 | |
| 4 | 62Y-43863-00-00 | ..O-RING | 1 | |
| 5 | 6C5-43862-00-00 | ..O-RING | 1 | |
| 6 | 6C5-43861-00-00 | ..O-RING | 1 | |
| 7 | 6C5-43871-00-00 | ..RING, BACK UP | 1 | |
| 8 | 6C5-22471-00-00 | CYLINDER, SHOCK ABSORBER | 1 | |
| 9 | 6C5-43875-00-00 | RING, SNAP | 1 | |
| 10 | 6C5-4381B-00-00 | FREE PISTON SUB ASSY | 1 | |
| 11 | 93450-32116-00 | CIRCLIP | 1 | |
| 12 | 6C5-43899-00-00 | PLATE STOPPER | 1 | |
| 13 | 93503-16003-00 | BALL | 6 | |
| 14 | 62X-4384H-00-00 | SPRING | 2 | |
| 15 | 6C5-22435-00-00 | PLATE, VALVE 2 | 1 | |
| 16 | 99009-32500-00 | CIRCLIP | 1 | |
| 17 | 6C5-43861-00-00 | O-RING | 1 | |
| 18 | 6C5-4380K-00-00 | CYLINDER, TILT SUB ASSY | 1 | |
| 19 | 6C5-43817-10-00 | FILTER 2 | 2 | |
| 20 | 69J-4389J-00-00 | .O-RING | 2 | |
| 21 | 6C5-43816-00-00 | FILTER 1 | 1 | |
| 22 | 6C5-4380G-00-00 | PLATE | 1 | |
| 23 | 91312-05045-00 | BOLT | 2 | |
| 24 | 6C5-43830-00-00 | GEAR PUMP ASSY | 1 | |
| 25 | 6C6-43841-00-00 | .PISTON, SHUTTLE | 1 | |
| 26 | 6H1-43883-00-00 | .O-RING | 1 | |
| 27 | 6C6-43894-00-00 | .SPRING, SHUTTLE RETURN | 2 | |
| 28 | 6C6-4382E-00-00 | .ADAPTOR 2 | 2 | |
| 29 | 93505-32038-00 | .BALL | 6 | |
| 30 | 6C6-43853-00-00 | .SPRING, MAIN VALVE | 2 | |
| 31 | 6C6-4387G-00-00 | .WASHER | 2 | |
| 32 | 69J-4389J-00-00 | .O-RING | 2 | |
| 33 | 91312-05030-00 | .BOLT | 2 | |
| 34 | 6C5-43851-00-00 | .SEAT, RELIEF VALVE | 2 | |
| 35 | 6C5-4381K-00-00 | .HOLDER | 1 | |
| 36 | 6C5-43893-00-00 | .WASHER | 1 | |
| 37 | 6C6-43893-00-00 | .WASHER | 1 | |
| 38 | 6C6-4381K-00-00 | .HOLDER | 1 | |
| 39 | 6C5-43855-00-00 | .SPRING, UP RELIEF | 1 | |
| 40 | 6C5-43856-00-00 | .SPRING, DOWN RELIEF | 1 | |
| 41 | 6C5-4382K-00-00 | .CAP, RELIEF VALVE | 1 | |
| 42 | 6C5-43895-00-00 | .SEAT, RELIEF VALVE | 1 | |
| 43 | 6C5-43854-00-00 | .SPRING, MANUAL RELEASE | 1 | |
| 44 | 92A08-03110-00 | .SCREW SET | 2 | |
| 45 | 95302-03600-00 | .NUT | 2 | |
| 46 | 91312-05025-00 | .BOLT | 2 | |
| 47 | 6C6-43878-00-00 | .BOLT, SOCKET | 2 | |
| 48 | 62Y-4387G-00-00 | .WASHER | 2 | |
| 49 | 91312-04030-00 | .BOLT | 2 | |
| 50 | 91312-03016-00 | .BOLT | 1 | |
| 51 | 6C6-4388E-00-00 | .PLUG, TAPER SCREW | 1 | |
| 52 | 6C6-4388F-00-00 | .SPACER | 2 | |
| 53 | 6C6-4386G-00-00 | .PIN, STRAIGHT 2 | 1 | |

| | | | | |
|----|-----------------|-------------------------------|---|--|
| 54 | 6C6-4386E-00-00 | .LEVER 1 | 1 | |
| 55 | 91312-03005-00 | .BOLT | 1 | |
| 56 | 6C5-4382L-00-00 | .CAP, RELIEF VALVE | 1 | |
| 57 | 6C5-43841-00-00 | .PISTON, SHUTTLE | 1 | |
| 58 | 6C5-43872-00-00 | .RING, BACK UP | 1 | |
| 59 | 93210-18397-00 | O-RING | 1 | |
| 60 | 6H1-43875-00-00 | .RING, SNAP | 1 | |
| 61 | 6C5-43845-00-00 | SCREW, MANUAL RELEASE | 1 | |
| 62 | 93210-09165-00 | O-RING | 1 | |
| 63 | 6H1-43829-00-00 | .PLUG, RESERVOIR | 1 | |
| 64 | 6C5-43831-00-00 | CONNECTOR, SHAFT | 1 | |
| 65 | 93210-64488-00 | .O-RING | 1 | |
| 66 | 91312-05050-00 | BOLT | 2 | |
| 67 | 62Y-43822-00-00 | ..SEAL, TRIM DUST | 1 | |
| 68 | 6C5-43821-00-00 | ..SCREW, TRIM CYLINDER END | 1 | |
| 69 | 62X-43872-00-00 | ..RING, BACK UP | 2 | |
| 70 | 6C5-43863-00-00 | ..O-RING | 2 | |

T60TLR 0408 / POWER TRIM TILT ASSY 2



6C11010D2801

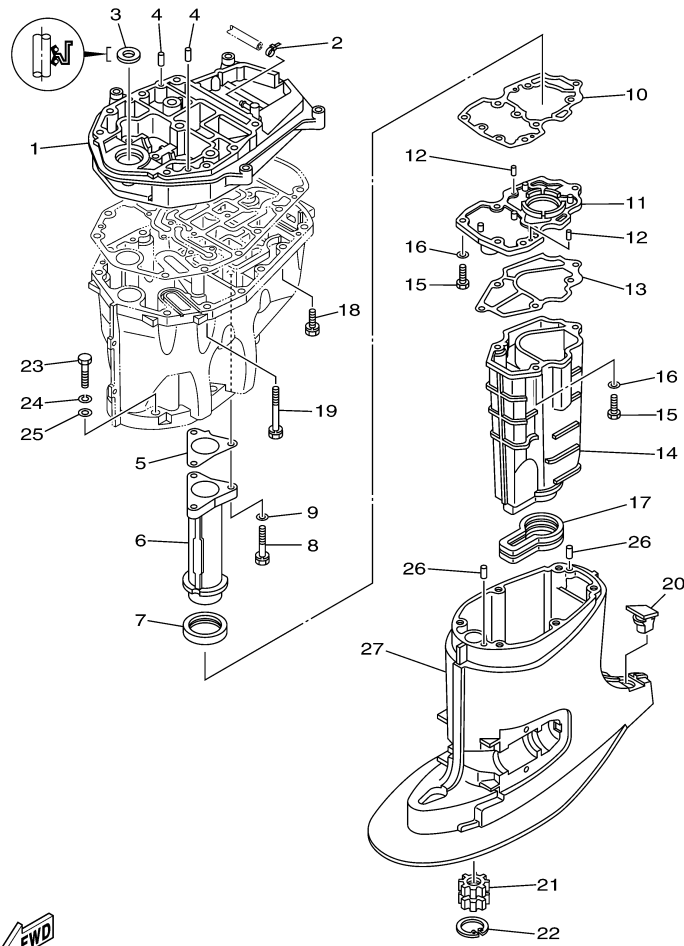
©2014 Yamaha Motor Corporation, U.S.A. All rights reserved.

Part List

T60TLR 0408 / POWER TRIM TILT ASSY 2

| REF - NO | PART NUMBER | PART NAME | QUANTITY | REMARKS |
|----------------|-----------------|---------------------|----------|---------|
| 1 | 6C5-43880-01-00 | MOTOR ASSY | 1 | |
| 2 | 90206-08N51-00 | .WASHER, WAVE | 1 | |
| 3 | 93399-999T8-00 | .BEARING | 2 | |
| 4 | 6C5-43805-00-00 | .ARMATURE ASSY | 1 | |
| 5 | 6C5-43804-01-00 | .STATOR ASSY | 1 | |
| 6 | 6C5-43869-00-00 | .O-RING | 1 | |
| 7 | 6C5-43879-00-00 | .SCREW, WITH WASHER | 3 | |
| 8 | 6C5-43881-01-00 | .FRAME, END | 1 | |
| 9 | 6C5-43882-00-00 | ..OIL SEAL | 1 | |
| 10 | 6C5-43891-00-00 | ..BRUSH 1 | 2 | |
| 11 | 6C5-4386K-00-00 | ..SPRING, BRUSH | 2 | |
| 12 | 62X-43888-00-00 | BOLT, SOCKET | 3 | |

T60TLR 0408 / UPPER CASING




6C11010-D290

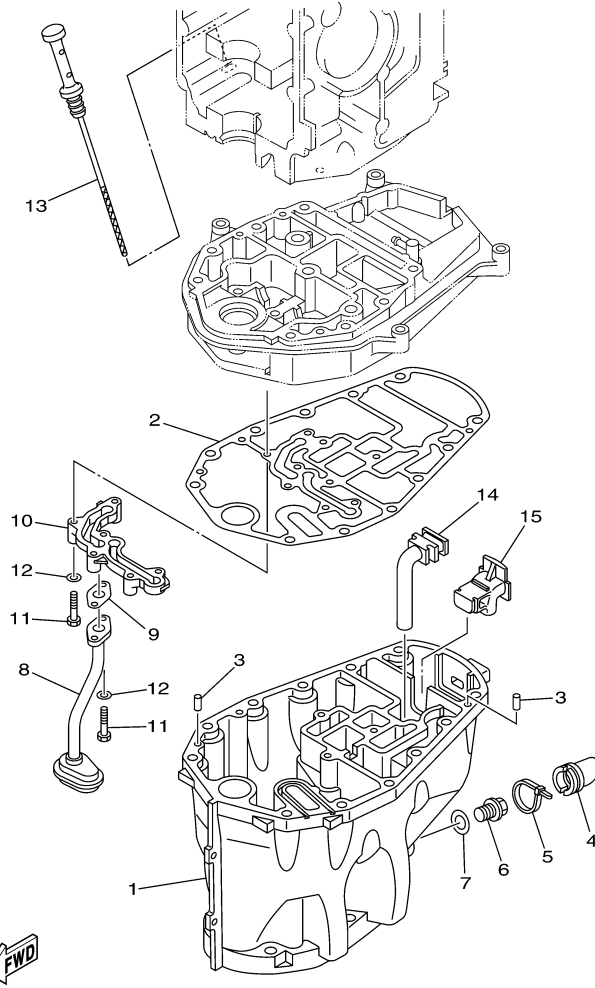
©2014 Yamaha Motor Corporation, U.S.A. All rights reserved.

Part List

T60TLR 0408 / UPPER CASING

| REF - NO | PART NUMBER | PART NAME | QUANTITY | REMARKS |
|----------------|-----------------|--------------------------------|----------|---------|
| 1 | 6C5-41137-00-8D | GUIDE, EXHAUST | 1 | |
| 2 | 90465-11M10-00 | CLAMP | 1 | |
| 3 | 93103-18011-00 | .OIL SEAL | 1 | |
| 4 | 93608-12M05-00 | PIN, DOWEL | 2 | |
| 5 | 6C5-41133-00-00 | .GASKET, EXHAUST MANIFOLD 1 | 1 | |
| 6 | 6C5-41131-00-5B | MANIFOLD, EXT. 1 | 1 | |
| 7 | 6C5-46132-00-00 | .GASKET 1 | 1 | |
| 8 | 90119-06120-00 | BOLT, WITH WASHER | 3 | |
| 9 | 90201-06015-00 | WASHER, PLATE | 3 | |
| 10 | 6C5-41134-00-00 | .GASKET, EXHAUST MANIFOLD | 1 | |
| 11 | 6C5-45181-00-5B | PLATE | 1 | |
| 12 | 93604-10M03-00 | PIN, DOWEL | 2 | |
| 13 | 6C5-41135-00-00 | .GASKET, EXHAUST MANIFOLD | 1 | |
| 14 | 6C5-14711-00-5B | MUFFLER 1 | 1 | |
| 15 | 97075-06025-00 | BOLT | 6 | |
| 16 | 92995-06600-00 | WASHER | 6 | |
| 17 | 6C5-45123-00-00 | .GASKET, MUFFLER | 1 | |
| 18 | 90119-08M79-00 | BOLT, WITH WASHER | 4 | |
| 19 | 90119-08M82-00 | BOLT, WITH WASHER | 8 | |
| 20 | 6C5-45155-00-00 | CAP | 1 | |
| 21 | 69W-45318-00-00 | BUSHING, DRIVE SHAFT | 1 | |
| 22 | 93420-36M01-00 | CIRCLIP | 1 | |
| 23 | 97075-10045-00 | BOLT | 6 | |
| 24 | 92995-10100-00 | WASHER | 6 | |
| 25 | 92995-10600-00 | WASHER | 6 | |
| 26 | 93606-12019-00 | .PIN, DOWEL | 2 | |
| 27 | 6C5-45111-00-8D | CASING, UPPER | 1 | |

T60TLR 0408 / OIL PAN



6C11010-D300

©2014 Yamaha Motor Corporation, U.S.A. All rights reserved.


Part List

T60TLR 0408 / OIL PAN

| REF - NO | PART NUMBER | PART NAME | QUANTITY | REMARKS |
|----------------|-----------------|------------------------|----------|---------|
| 1 | 6C5-15311-00-8D | OIL PAN | 1 | |
| 2 | 6C5-15312-00-00 | .GASKET, OIL PAN | 1 | |
| 3 | 93606-12019-00 | .PIN, DOWEL | 2 | |
| 4 | 6C5-15316-00-00 | DAMPER 1 | 1 | |
| 5 | 90465-11M59-00 | CLAMP | 1 | |
| 6 | 90340-14M06-00 | PLUG, STRAIGHT SCREW | 1 | |
| 7 | 90430-14M09-00 | .GASKET | 1 | |
| 8 | 6C5-13411-00-00 | STRAINER, OIL | 1 | |
| 9 | 6C5-13414-00-00 | GASKET, STRAINER COVER | 1 | |
| 10 | 6C5-15333-00-00 | COVER | 1 | |
| 11 | 97013-06030-00 | BOLT | 6 | |
| 12 | 92903-06600-00 | WASHER, PLATE | 6 | |
| 13 | 6C5-15362-00-00 | PLUG, OIL LEVEL | 1 | |
| 14 | 6C5-45135-01-00 | PIPE | 1 | |
| 15 | 6C5-45136-01-00 | PIPE | 1 | |

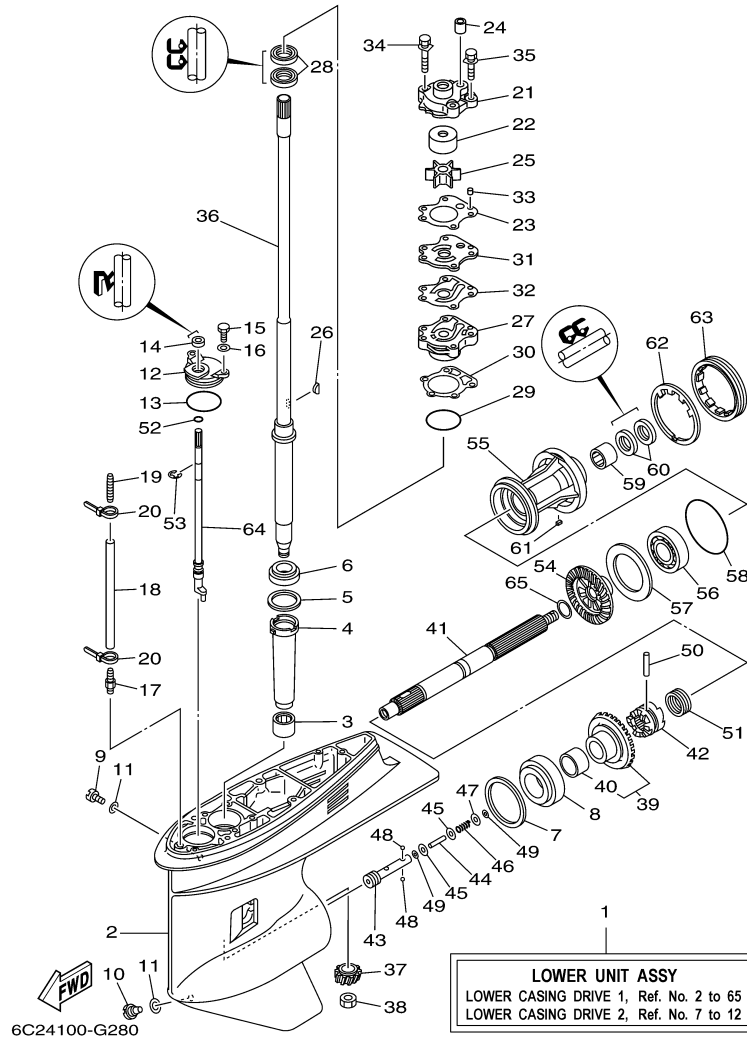
Part Notes

T60TLR 0408 / OIL PAN

| PART NUMBER | NOTE TEXT |
|--|--|
| 90430-14M09-00  | OEM: This part number is among the Top 100 Most Popular Marine Maintenance Parts as of March 2014. |

©2014 Yamaha Motor Corporation, U.S.A. All rights reserved.

T60TLR 0408 / LOWER CASING DRIVE 1



©2014 Yamaha Motor Corporation, U.S.A. All rights reserved.

Part List





T60TLR 0408 / LOWER CASING DRIVE 1

| REF - NO | PART NUMBER | PART NAME | QUANTITY | REMARKS |
|----------|-----------------|-------------------------|----------|----------|
| 1 | 68S-45300-31-8D | LOWER UNIT ASSY | 1 | L(20.7") |
| 2 | 67F-45301-00-8D | CASING, LOWER | 1 | |
| 3 | 93315-52563-00 | BEARING | 1 | |
| 4 | 688-45536-01-00 | SLEEVE, DRIVE SHAFT | 1 | |
| 5 | 688-45587-40-00 | SHIM (T:0.30MM) | 1 | UR |
| 5 | 688-45587-30-00 | SHIM (T:0.18MM) | 1 | UR |
| 5 | 688-45587-20-00 | SHIM (T:0.15MM) | 1 | UR |
| 5 | 688-45587-10-00 | SHIM (T:0.12MM) | 1 | UR |
| 5 | 688-45587-01-00 | SHIM (T:0.10MM) | 1 | UR |
| 5 | 688-45587-50-00 | SHIM (T:0.40MM) | 1 | UR |
| 5 | 688-45587-60-00 | SHIM (T:0.50MM) | 1 | UR |
| 6 | 93332-000U3-00 | BEARING | 1 | |
| 7 | 688-45567-10-00 | SHIM (T:0.12MM) | 1 | UR |
| 7 | 688-45567-20-00 | SHIM (T:0.15MM) | 1 | UR |
| 7 | 688-45567-01-00 | SHIM (T:0.10MM) | 1 | UR |
| 7 | 688-45567-30-00 | SHIM (T:0.18MM) | 1 | UR |
| 7 | 688-45567-40-00 | SHIM (T:0.30MM) | 1 | UR |
| 7 | 688-45567-50-00 | SHIM (T:0.40MM) | 1 | UR |
| 7 | 688-45567-60-00 | SHIM (T:0.50MM) | 1 | UR |
| 8 | 93332-00095-00 | BEARING | 1 | |
| 9 | 90340-08002-00 | PLUG, STRAIGHT SCREW | 1 | |
| 10 | 688-45341-10-00 | PLUG, DRAIN | 1 | |
| 11 | 90430-08020-00 | .GASKET | 2 | |
| 12 | 688-45321-00-00 | PLATE | 1 | |
| 13 | 93210-49046-00 | .O-RING | 1 | |
| 14 | 93106-09014-00 | .OIL SEAL | 1 | |
| 15 | 97095-06016-00 | BOLT | 2 | |
| 16 | 92995-06600-00 | WASHER | 2 | |
| 17 | 6E5-45378-00-00 | NIPPLE, HOSE | 1 | |
| 18 | 90445-07ME8-00 | HOSE (L80) | 1 | L(20.7") |
| 19 | 6E5-83558-10-00 | END, NIPPLE | 1 | |
| 20 | 90465-11M10-00 | CLAMP | 2 | |
| 21 | 6H3-44311-00-00 | HOUSING, WATER PUMP | 1 | |
| 22 | 663-44322-00-00 | .INSERT, CARTRIDGE | 1 | |
| 23 | 6H3-44315-A0-00 | .GASKET, WATER PUMP | 1 | |
| 24 | 663-44366-00-00 | .DAMPER, WATER SEAL 2 | 1 | |
| 25 | 6H3-44352-00-00 | .IMPELLER | 1 | |
| 26 | 90280-03M03-00 | .KEY, WOODRUFF | 1 | |
| 27 | 6H3-44341-00-94 | HOUSING, WATER PUMP | 1 | |
| 28 | 93101-23070-00 | .OIL SEAL | 2 | |
| 29 | 93210-46044-00 | O-RING | 1 | |
| 30 | 688-44316-A0-00 | .GASKET, WATER PUMP | 1 | |
| 31 | 6H3-44323-00-00 | .OUTER PLATE, CARTRIDGE | 1 | |
| 32 | 6H3-44324-A0-00 | .GASKET, CARTRIDGE | 1 | |
| 33 | 93604-10M03-00 | PIN, DOWEL | 2 | |
| 34 | 90119-08M33-00 | .BOLT, WITH WASHER | 2 | |
| 35 | 90119-08M14-00 | .BOLT, WITH WASHER | 2 | |
| 36 | 64J-45501-30-00 | DRIVE SHAFT COMP. | 1 | L(20.7") |
| 37 | 6K5-45551-00-00 | PINION (12T) | 1 | |
| 38 | 90170-16M01-00 | NUT | 1 | |
| 39 | 68S-45560-00-00 | GEAR 1 (28T) | 1 | |
| 40 | 93317-322V0-00 | .BEARING | 1 | |
| 41 | 67F-45611-01-00 | SHAFT, PROPELLER | 1 | |

| | | | | |
|----|-----------------|---------------------|---|--|
| 42 | 6D8-45631-00-00 | CLUTCH, DOG | 1 | |
| 43 | 67F-45634-00-00 | SLIDE, SHIFT | 1 | |
| 44 | 6H1-45668-00-00 | SHAFT, FREE 1 | 1 | |
| 45 | 6H1-45635-00-00 | PLUNGER, SHIFT | 2 | |
| 46 | 90501-12M48-00 | SPRING, COMPRESSION | 1 | |
| 47 | 90201-03313-00 | WASHER, PLATE | 1 | |
| 48 | 93503-16003-00 | BALL | 2 | |
| 49 | 90183-02M03-00 | NUT, SPRING | 2 | |
| 50 | 90250-07M02-00 | PIN, STRAIGHT | 1 | |
| 51 | 688-45633-00-00 | RING, CROSS PIN | 1 | |
| 52 | 93210-07003-00 | .O-RING | 1 | |
| 53 | 99001-08600-00 | CIRCLIP | 1 | |
| 54 | 68S-45571-00-00 | GEAR 2 (28T) | 1 | |
| 55 | 67F-45331-00-94 | HOUSING, BEARING | 1 | |
| 56 | 93306-207U0-00 | .BEARING | 1 | |
| 57 | 67F-45576-00-00 | WASHER, THRUST 2 | 1 | |
| 58 | 93210-86M39-00 | .O-RING | 1 | |
| 59 | 93317-325U0-00 | BEARING | 1 | |
| 60 | 93101-25M03-00 | .OIL SEAL | 2 | |
| 61 | 90282-04010-00 | KEY, STRAIGHT | 1 | |
| 62 | 688-45383-02-00 | WASHER, CLAW | 1 | |
| 63 | 688-45384-00-00 | NUT | 1 | |
| 64 | 64J-44150-01-00 | SHIFT CAM ASSY | 1 | |
| 65 | 90201-25M05-00 | WASHER, PLATE | 1 | |

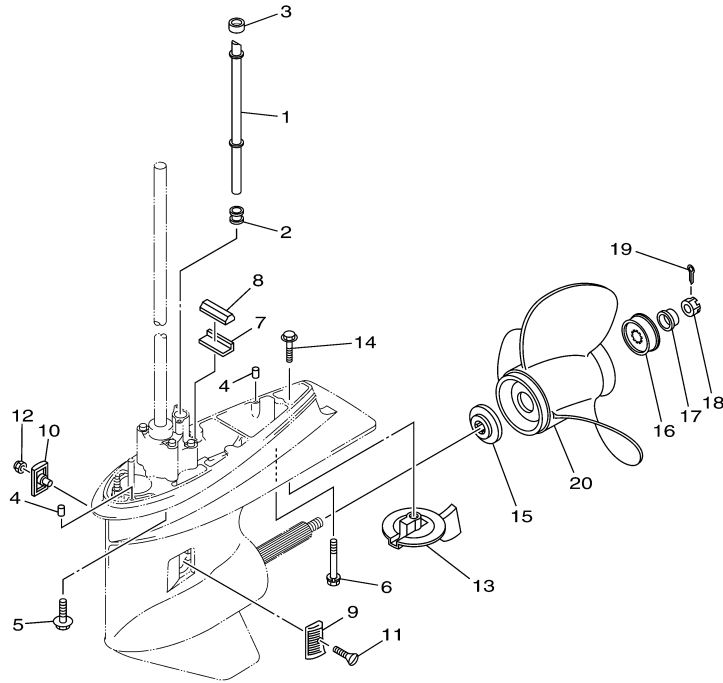
Part Notes

T60TLR 0408 / LOWER CASING DRIVE 1

| PART NUMBER | | NOTE TEXT |
|-----------------|---|--|
| 90430-08020-00 |  | OEM: This part number is among the Top 100 Most Popular Marine Maintenance Parts as of March 2014. |
| 93106-09014-00 |  | OEM: This part number is among the Top 100 Most Popular Marine Maintenance Parts as of March 2014. |
| 6H3-44352-00-00 |  | OEM: This part number is among the Top 100 Most Popular Marine Maintenance Parts as of March 2014. |
| 93101-25M03-00 |  | OEM: This part number is among the Top 100 Most Popular Marine Maintenance Parts as of March 2014. |

©2014 Yamaha Motor Corporation, U.S.A. All rights reserved.

T60TLR 0408 / LOWER CASING DRIVE 2



6C24100-G290

©2014 Yamaha Motor Corporation, U.S.A. All rights reserved.


Part List

T60TLR 0408 / LOWER CASING DRIVE 2

| REF - NO | PART NUMBER | PART NAME | QUANTITY | REMARKS |
|----------------|-----------------|-------------------------|----------|----------|
| 1 | 6C5-44361-00-00 | TUBE, WATER 1 | 1 | L(20.7") |
| 2 | 663-44367-00-00 | DAMPER, WATER SEAL 3 | 1 | |
| 3 | 663-44366-00-00 | .DAMPER, WATER SEAL 2 | 1 | |
| 4 | 93606-12019-00 | .PIN, DOWEL | 2 | |
| 5 | 90119-10030-00 | BOLT, WITH WASHER | 4 | L(20.7") |
| 6 | 90119-08M84-00 | BOLT, WITH WASHER | 1 | L(20.7") |
| 7 | 663-45376-00-94 | GUIDE, SEAL DAMPER | 1 | |
| 8 | 688-45375-00-00 | DAMPER, SEAL | 1 | |
| 9 | 6H1-45214-00-00 | COVER, WATER INLET 1 | 1 | |
| 10 | 6H1-45215-00-00 | COVER, WATER INLET 2 | 1 | |
| 11 | 90151-05M00-00 | SCREW, COUNTERSUNK | 1 | |
| 12 | 90185-05002-00 | NUT, NYLON | 1 | |
| 13 | 67F-45371-00-00 | TAB-TRIM | 1 | |
| 14 | 90105-10M67-00 | BOLT, FLANGE | 1 | |
| 15 | 688-45987-01-00 | SPACER 1 | 1 | |
| 16 | 67F-45997-00-00 | SPACER 2 | 1 | |
| 17 | 90389-25M00-00 | BUSH | 1 | |
| 18 | 90171-16011-00 | NUT, CASTLE | 1 | |
| 19 | 91490-40025-00 | PIN. COTTER | 1 | |
| 20 | 68S-45941-00-EL | PROPELLER (3X14"X11"-K) | 1 | UR |
| 20 | 6E5-45954-00-EL | PROPELLER (3X14"X11"-K) | 1 | UR |

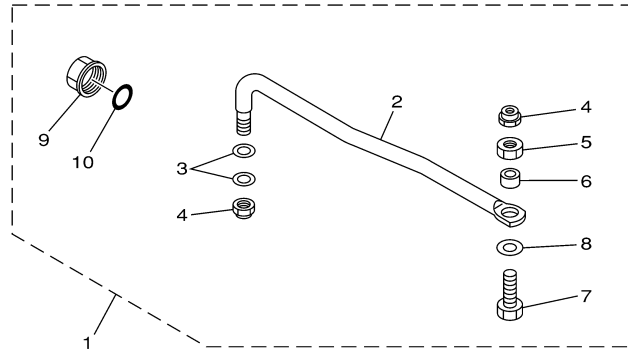
Part Notes

T60TLR 0408 / LOWER CASING DRIVE 2

| PART NUMBER | NOTE TEXT |
|---|--|
| 67F-45371-00-00  | OEM: This part number is among the Top 100 Most Popular Marine Maintenance Parts as of March 2014. |

©2014 Yamaha Motor Corporation, U.S.A. All rights reserved.

T60TLR 0408 / STEERING GUIDE



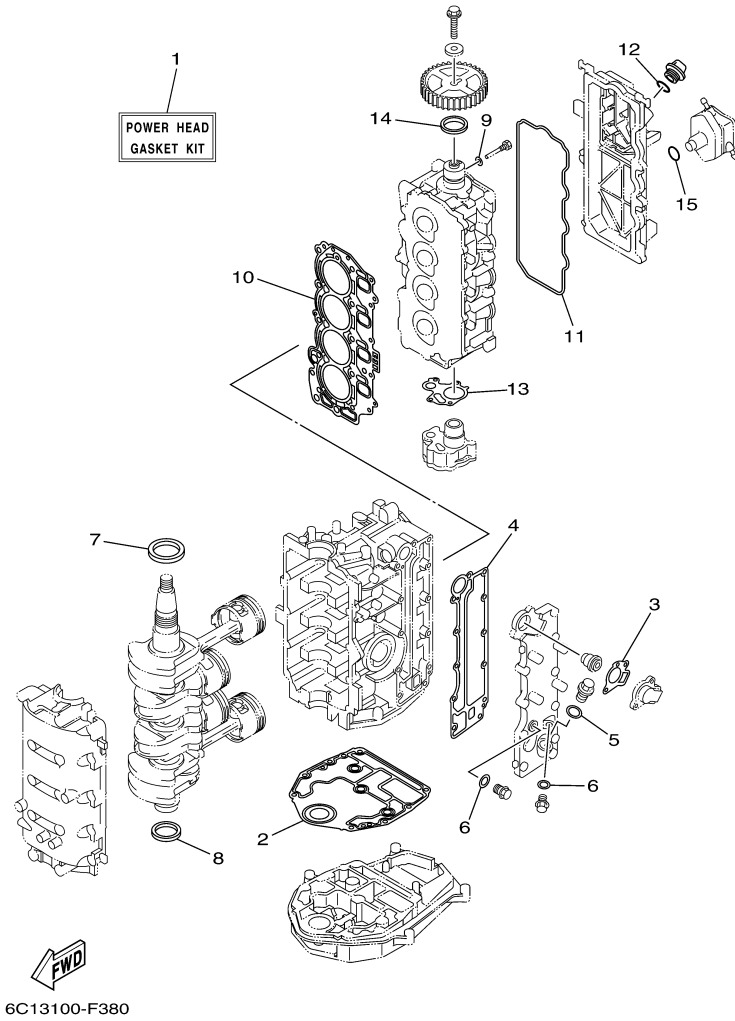
65W0010-8210

Part List

T60TLR 0408 / STEERING GUIDE

| REF - NO | PART NUMBER | PART NAME | QUANTITY | REMARKS |
|----------------|-----------------|----------------------------------|----------|---------|
| 1 | 65W-61350-00-00 | STEERING GUIDE ATTACHMENT KIT | 1 | AP |
| 2 | 65W-61351-00-00 | .ROD, STEERING LINK | 1 | |
| 3 | 90201-10M20-00 | .WASHER, PLATE | 2 | |
| 4 | 90185-09M01-00 | .NUT, SELF-LOCKING | 2 | |
| 5 | 90170-09M03-00 | .NUT | 1 | |
| 6 | 90387-10M42-00 | .COLLAR | 1 | |
| 7 | 90101-09M01-00 | .BOLT | 1 | |
| 8 | 90201-10M63-00 | .WASHER, PLATE | 1 | |
| 9 | 6E5-43145-01-00 | .CAP, CLAMP BRACKET | 1 | |
| 10 | 93210-16275-00 | .O-RING | 1 | |

T60TLR 0408 / REPAIR KIT 1



©2014 Yamaha Motor Corporation, U.S.A. All rights reserved.


Part List

T60TLR 0408 / REPAIR KIT 1

| REF - NO | PART NUMBER | PART NAME | QUANTITY | REMARKS |
|----------------|-----------------|---------------------------------|----------|---------|
| 1 | 6C5-W0001-01-00 | POWER HEAD GASKET KIT | 1 | |
| 2 | 67C-11351-01-00 | .GASKET, CYLINDER | 1 | |
| 3 | 62Y-12414-00-00 | .GASKET, COVER | 1 | |
| 4 | 6C5-41114-10-00 | .GASKET, EXHAUST OUTER COVER | 1 | |
| 5 | 90430-18130-00 | .GASKET | 1 | |
| 6 | 90430-14115-00 | .GASKET | 2 | |
| 7 | 93102-43M42-00 | .OIL SEAL | 1 | |
| 8 | 93101-35002-00 | .OIL SEAL | 1 | |
| 9 | 90430-06014-00 | .GASKET | 1 | |
| 10 | 6C5-11181-01-00 | .GASKET, CYLINDER HEAD 1 | 1 | |
| 11 | 62Y-11356-00-00 | .SEAL, CYLINDER 2 | 1 | |
| 12 | 93210-24M79-00 | .O-RING | 1 | |
| 13 | 6C5-13329-00-00 | .GASKET, PUMP COVER | 1 | |
| 14 | 93102-37M40-00 | .OIL SEAL | 1 | |
| 15 | 93210-24M79-00 | .O-RING | 1 | |

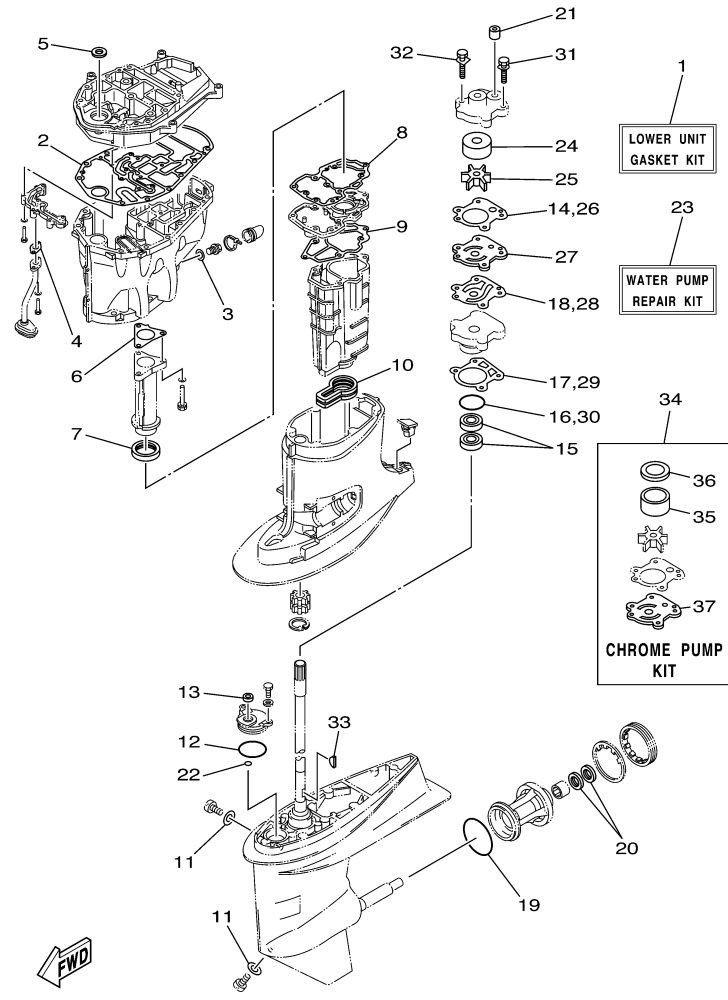
Part Notes

T60TLR 0408 / REPAIR KIT 1

| PART NUMBER | NOTE TEXT |
|---|--|
| 62Y-12414-00-00  | OEM: This part number is among the Top 100 Most Popular Marine Maintenance Parts as of March 2014. |

©2014 Yamaha Motor Corporation, U.S.A. All rights reserved.

T60TLR 0408 / REPAIR KIT 2



©2014 Yamaha Motor Corporation, U.S.A. All rights reserved.






Part List

T60TLR 0408 / REPAIR KIT 2

| REF - NO | PART NUMBER | PART NAME | QUANTITY | REMARKS |
|----------|-----------------|-----------------------------|----------|---------|
| 1 | 6C6-W0001-20-00 | LOWER UNIT GASKET KIT | 1 | |
| 2 | 6C5-15312-00-00 | .GASKET, OIL PAN | 1 | |
| 3 | 90430-14M09-00 | .GASKET | 1 | |
| 4 | 6C5-13414-00-00 | .GASKET, STRAINER COVER | 1 | |
| 5 | 93103-18011-00 | .OIL SEAL | 1 | |
| 6 | 6C5-41133-00-00 | .GASKET, EXHAUST MANIFOLD 1 | 1 | |
| 7 | 6C5-46132-00-00 | .GASKET 1 | 1 | |
| 8 | 6C5-41134-00-00 | .GASKET, EXHAUST MANIFOLD | 1 | |
| 9 | 6C5-41135-00-00 | .GASKET, EXHAUST MANIFOLD | 1 | |
| 10 | 6C5-45123-00-00 | .GASKET, MUFFLER | 1 | |
| 11 | 90430-08020-00 | .GASKET | 2 | |
| 12 | 93210-49046-00 | .O-RING | 1 | |
| 13 | 93106-09014-00 | .OIL SEAL | 1 | |
| 14 | 6H3-44315-A0-00 | .GASKET, WATER PUMP | 1 | |
| 15 | 93101-23070-00 | .OIL SEAL | 2 | |
| 16 | 93210-46044-00 | .O-RING | 1 | |
| 17 | 688-44316-A0-00 | .GASKET, WATER PUMP | 1 | |
| 18 | 6H3-44324-A0-00 | .GASKET, CARTRIDGE | 1 | |
| 19 | 93210-86M39-00 | .O-RING | 1 | |
| 20 | 93101-25M03-00 | .OIL SEAL | 2 | |
| 21 | 663-44366-00-00 | .DAMPER, WATER SEAL 2 | 1 | |
| 22 | 93210-07003-00 | .O-RING | 1 | |
| 23 | 6H3-W0078-02-00 | WATER PUMP REPAIR KIT | 1 | |
| 24 | 663-44322-00-00 | .INSERT, CARTRIDGE | 1 | |
| 25 | 6H3-44352-00-00 | .IMPELLER | 1 | |
| 26 | 6H3-44315-A0-00 | .GASKET, WATER PUMP | 1 | |
| 27 | 6H3-44323-00-00 | .OUTER PLATE, CARTRIDGE | 1 | |
| 28 | 6H3-44324-A0-00 | .GASKET, CARTRIDGE | 1 | |
| 29 | 688-44316-A0-00 | .GASKET, WATER PUMP | 1 | |
| 30 | 93210-46044-00 | .O-RING | 1 | |
| 31 | 90119-08M14-00 | .BOLT, WITH WASHER | 2 | |
| 32 | 90119-08M33-00 | .BOLT, WITH WASHER | 2 | |
| 33 | 90280-03M03-00 | .KEY, WOODRUFF | 1 | |
| 34 | 6H3-W0078-0A-00 | CHROME PUMP KIT | 1 | |
| 35 | 670-44322-01-00 | .INSERT, CARTRIDGE | 1 | |
| 36 | 670-44321-00-00 | .INNER PLATE, CARTRIDGE | 1 | |
| 37 | 6H3-44323-40-00 | .OUTER PLATE, CARTRIDGE | 1 | |

Part Notes

T60TLR 0408 / REPAIR KIT 2

| PART NUMBER | | NOTE TEXT |
|-----------------|---|--|
| 90430-14M09-00 |  | OEM: This part number is among the Top 100 Most Popular Marine Maintenance Parts as of March 2014. |
| 90430-08020-00 |  | OEM: This part number is among the Top 100 Most Popular Marine Maintenance Parts as of March 2014. |
| 93106-09014-00 |  | OEM: This part number is among the Top 100 Most Popular Marine Maintenance Parts as of March 2014. |
| 93101-25M03-00 |  | OEM: This part number is among the Top 100 Most Popular Marine Maintenance Parts as of March 2014. |
| 6H3-44352-00-00 |  | OEM: This part number is among the Top 100 Most Popular Marine Maintenance Parts as of March 2014. |

©2014 Yamaha Motor Corporation, U.S.A. All rights reserved.

©2014 Yamaha Motor Corporation, U.S.A. All rights reserved.