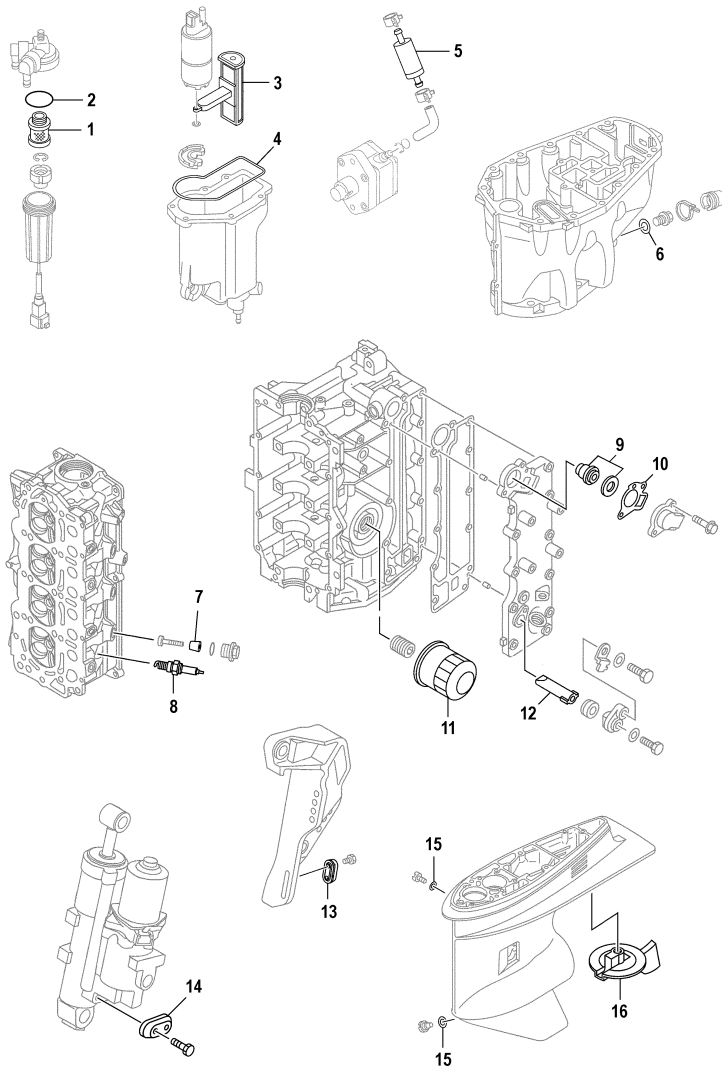


F70LA_0112 / SCHEDULED SERVICE PARTS



©2014 Yamaha Motor Corporation, U.S.A. All rights reserved.








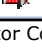
Part List

F70LA_0112 / SCHEDULED SERVICE PARTS

REF - NO	PART NUMBER	PART NAME	QUANTITY	REMARKS
1	6D8-24563-00-00	.ELEMENT, FILTER	1	FUEL (REF # 16)
2	6D8-24564-00-00	.GASKET	1	FUEL (REF # 17)
3	6C5-13915-00-00	.FILTER	1	FUEL INJECTION PUMP 1 (REF # 18)
4	6C5-14984-00-00	GASKET, FLOAT CHAMBER	1	FUEL, INJECTION PUMP 1 (REF # 23)
5	6C5-24251-00-00	STRAINER 1	1	FUEL INJECTION PUMP 2 (REF # 20)
6	90430-14M09-00	.GASKET	1	OIL PAN (REF # 7)
7	6G8-11325-00-00	ANODE	3	CYLINDER CRANKCASE 2 (REF # 4)
8	LKR-7E000-00-00	PLUG, SPARK (NGK LKR7E)	4	CYLINDER CRANKCASE 2 (REF # 28)
9	6G8-12411-03-00	THERMOSTAT	1	CYLINDER CRANKCASE 1 (REF # 12)
10	62Y-12414-00-00	.GASKET, COVER	1	CYLINDER CRANKCASE 1 (REF # 15)
11	5GH-13440-20-00	ELEMENT ASSY, OIL CLEANER	1	CYLINDER CRANKCASE 1 (REF # 30)
12	62Y-11325-00-00	ANODE	1	CYLINDER CRANKCASE 1 (REF # 18)
13	65W-45251-00-00	ANODE	2	BRACKET 1 (REF # 6 & 8)
14	65W-45251-00-00	ANODE	1	BRACKET 1 (REF # 25)
15	90430-08020-00	.GASKET	2	LOWER CASING DRIVE 1 (REF # 11)
16	67F-45371-00-00	TAB-TRIM	1	LOWER CASING DRIVE 2 (REF # 13)

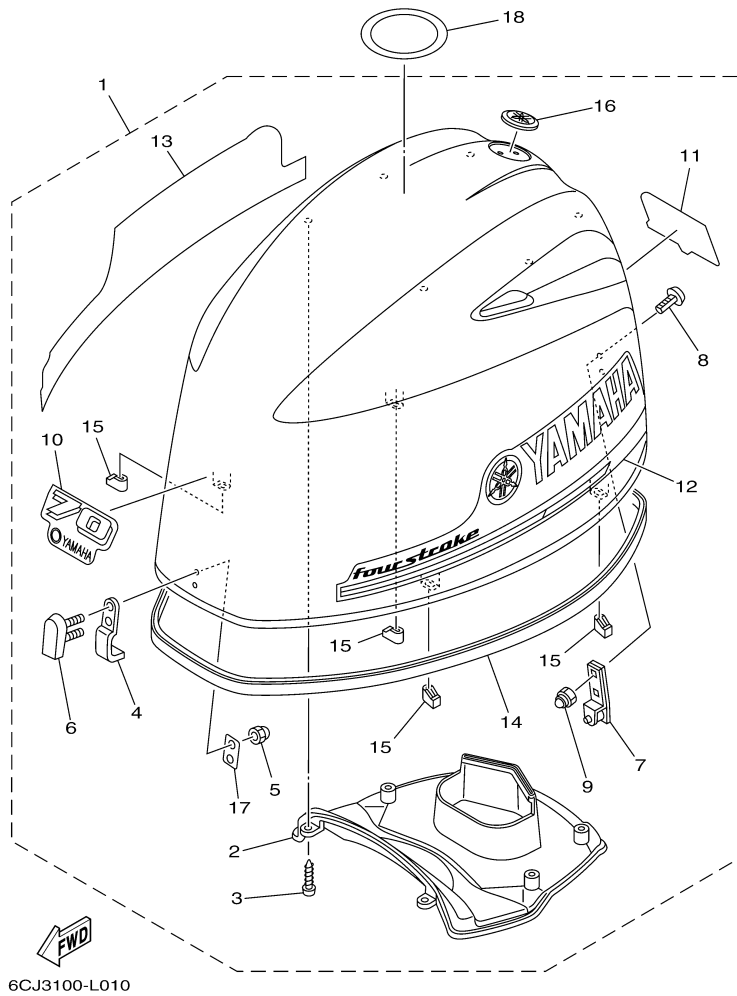
Part Notes

F70LA_0112 / SCHEDULED SERVICE PARTS

PART NUMBER		NOTE TEXT
6C5-24251-00-00		OEM: This part number is among the Top 100 Most Popular Marine Maintenance Parts as of March 2014.
90430-14M09-00		OEM: This part number is among the Top 100 Most Popular Marine Maintenance Parts as of March 2014.
LKR-7E000-00-00		OEM: This part number is among the Top 100 Most Popular Marine Maintenance Parts as of March 2014.
62Y-12414-00-00		OEM: This part number is among the Top 100 Most Popular Marine Maintenance Parts as of March 2014.
65W-45251-00-00		OEM: This part number is among the Top 100 Most Popular Marine Maintenance Parts as of March 2014.
65W-45251-00-00		OEM: This part number is among the Top 100 Most Popular Marine Maintenance Parts as of March 2014.
90430-08020-00		OEM: This part number is among the Top 100 Most Popular Marine Maintenance Parts as of March 2014.
67F-45371-00-00		OEM: This part number is among the Top 100 Most Popular Marine Maintenance Parts as of March 2014.

©2014 Yamaha Motor Corporation, U.S.A. All rights reserved.

F70LA_0112 / TOP COWLING



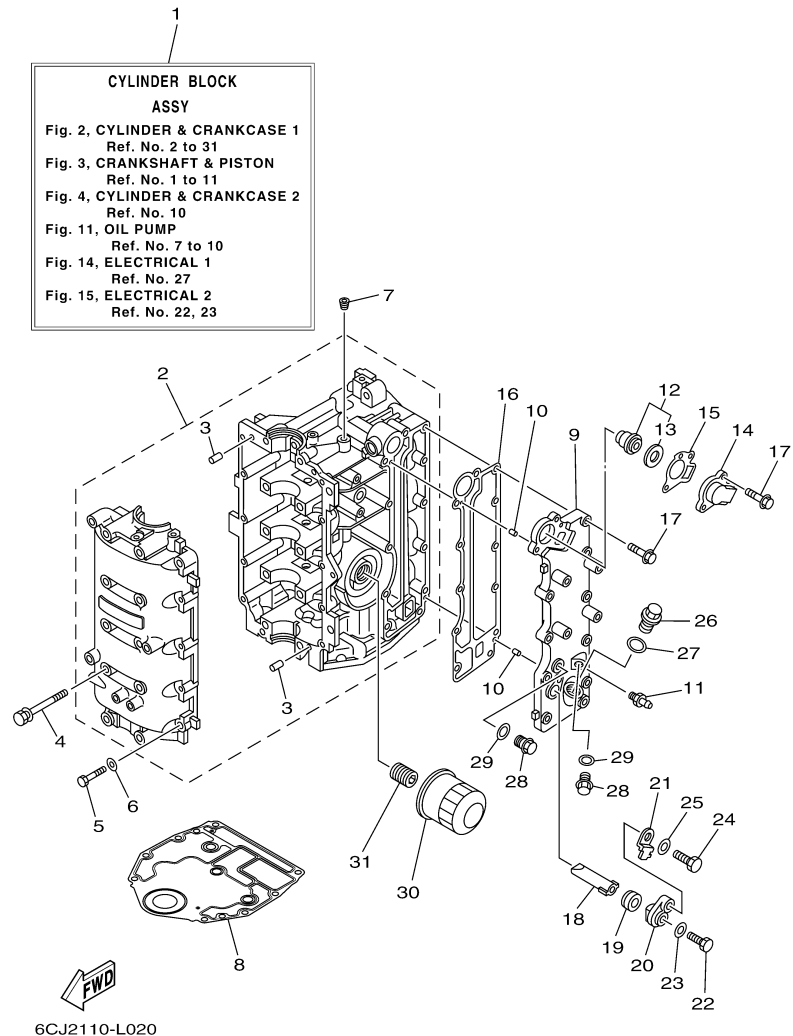
©2014 Yamaha Motor Corporation, U.S.A. All rights reserved.

Part List

F70LA_0112 / TOP COWLING

REF - NO	PART NUMBER	PART NAME	QUANTITY	REMARKS
1	6CJ-42610-01-00	TOP COWLING ASSY	1	
2	6CJ-42613-00-00	.MOLDING, AIR DUCT	1	
3	97780-50616-00	.SCREW, TAPPING	6	
4	6BG-42651-00-00	.HOOK	1	
5	95380-05800-00	.NUT	2	
6	6BG-42851-00-00	.COVER, CLAMP	1	
7	6BG-42652-00-00	.HOOK	1	
8	90109-06047-00	.BOLT	2	
9	90185-06M05-00	.NUT, SELF-LOCKING	2	
10	6CJ-42677-00-00	.GRAPHIC, FRONT	1	
11	6CJ-42678-00-00	.GRAPHIC, REAR	1	
12	6CJ-42675-00-00	.GRAPHIC, SIDE 1	1	
13	6CJ-42676-00-00	.GRAPHIC, SIDE 2	1	
14	6CJ-42615-00-00	.SEAL	1	
15	6BG-42662-00-00	.DAMPER	4	
16	6AH-42697-10-00	.TUNING FORK MARK	1	
17	6BG-42649-00-00	.HOLDER, CLAMP BAND	1	
18	67F-13434-20-00	LABEL, CAUTION	1	

F70LA_0112 / CYLINDER CRANKCASE 1



©2014 Yamaha Motor Corporation, U.S.A. All rights reserved.


Part List

F70LA_0112 / CYLINDER CRANKCASE 1

REF - NO	PART NUMBER	PART NAME	QUANTITY	REMARKS
1	6CJ-W009B-00-9S	CYLINDER BLOCK ASSY	1	
2	6CJ-15100-00-00	CRANKCASE ASSY	1	
3	93606-12019-00	.PIN, DOWEL	4	
4	90119-08154-00	BOLT, WITH WASHER	10	
5	97013-06035-00	BOLT	10	
6	92903-06600-00	WASHER, PLATE	10	
7	90344-51003-00	PLUG, TAPER SCREW	1	
8	6BG-11351-00-00	.GASKET, CYLINDER	1	
9	6C5-41113-11-9S	OUTER COVER, EXHAUST	1	
10	93604-10M03-00	PIN, DOWEL	2	
11	62Y-12481-10-00	PIPE 1	1	
12	6G8-12411-03-00	THERMOSTAT	1	
13	688-12412-00-00	.SEAL, THERMOSTAT	1	
14	6C5-12413-00-9S	COVER, THERMOSTAT	1	
15	62Y-12414-00-00	.GASKET, COVER	1	
16	6C5-41114-10-00	.GASKET, EXHAUST OUTER COVER	1	
17	90119-06MA5-00	BOLT, WITH WASHER	12	
18	62Y-11325-00-00	ANODE	1	
19	66M-11328-00-00	GROMMET, ANODE	1	
20	66M-11327-00-94	COVER, ANODE	1	
21	66M-12535-00-00	PLATE	1	
22	97095-05012-00	BOLT	1	
23	92995-05600-00	WASHER	1	
24	97095-06020-00	BOLT	1	
25	92995-06600-00	WASHER	1	
26	90340-18M09-00	PLUG, STRAIGHT SCREW	1	
27	90430-18130-00	.GASKET	1	
28	90340-14M06-00	PLUG, STRAIGHT SCREW	2	
29	90430-14115-00	.GASKET	2	
30	5GH-13440-20-00	ELEMENT ASSY, OIL CLEANER	1	
31	6C5-12858-00-00	BOLT, UNION	1	

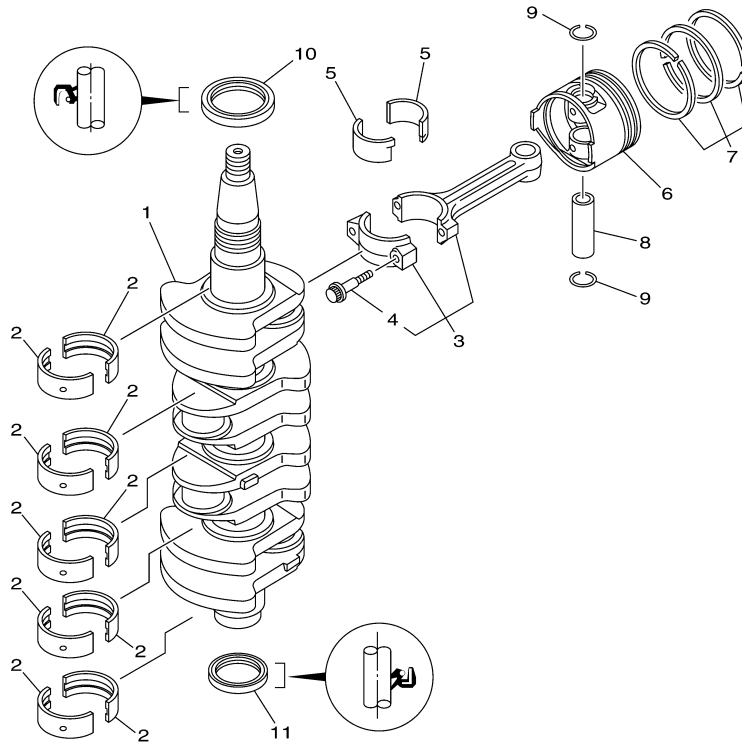
Part Notes

F70LA_0112 / CYLINDER CRANKCASE 1

PART NUMBER	NOTE TEXT
62Y-12414-00-00 	OEM: This part number is among the Top 100 Most Popular Marine Maintenance Parts as of March 2014.

©2014 Yamaha Motor Corporation, U.S.A. All rights reserved.

F70LA_0112 / CRANKSHAFT PISTON



6C17110-K030

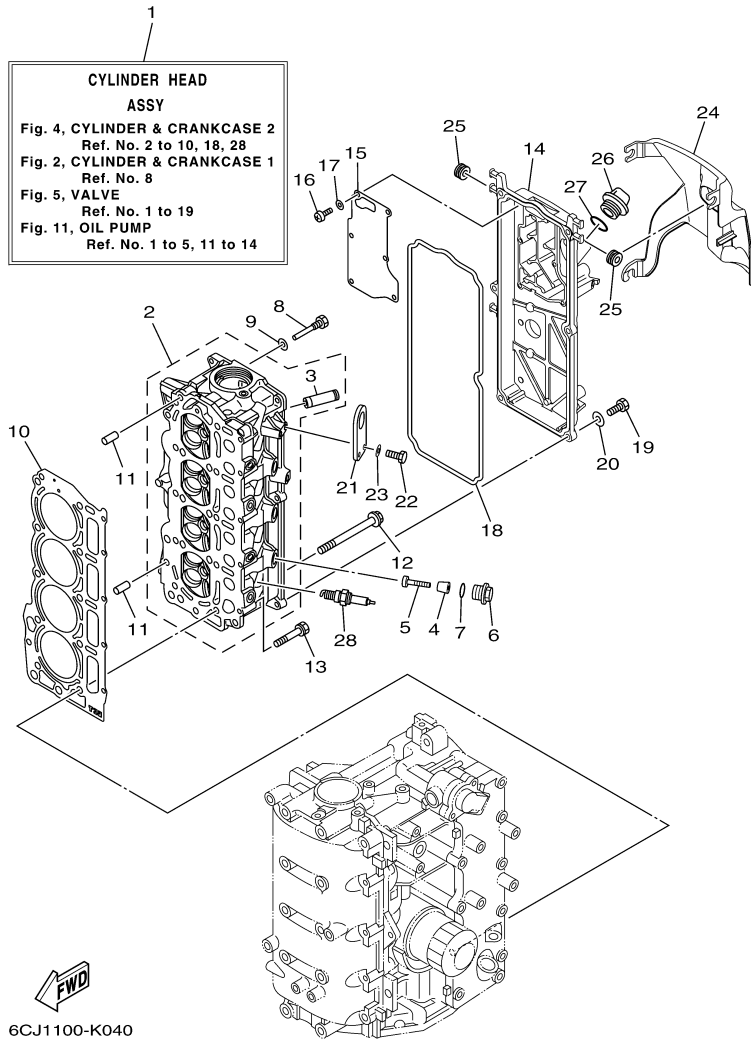
©2014 Yamaha Motor Corporation, U.S.A. All rights reserved.

Part List

F70LA_0112 / CRANKSHAFT PISTON

REF - NO	PART NUMBER	PART NAME	QUANTITY	REMARKS
1	6C5-11411-01-00	CRANKSHAFT	1	
2	6BG-11416-20-00	PLANE BEARING, CRANKSHAFT 1	10	UR PINK
2	6BG-11416-30-00	PLANE BEARING, CRANKSHAFT 1	10	UR GREEN
2	6BG-11416-10-00	PLANE BEARING, CRANKSHAFT 1	10	UR RED
2	6BG-11416-00-00	PLANE BEARING, CRANKSHAFT 1	10	UR YELLOW
3	6C5-11650-00-00	CONNECTING ROD ASSY	4	
4	6C5-11654-00-00	.BOLT, CONNECTING ROD	2	
5	6CJ-11656-30-00	PLANE BEARING, CONNECTING ROD	8	UR GREEN
5	6CJ-11656-20-00	PLANE BEARING, CONNECTING ROD	8	UR PINK
5	6CJ-11656-10-00	PLANE BEARING, CONNECTING ROD	8	UR RED
5	6CJ-11656-00-00	PLANE BEARING, CONNECTING ROD	8	UR YELLOW
6	6CJ-11636-00-00	PISTON (0.50MM O/S)	4	AP
6	6CJ-11635-00-00	PISTON (0.25MM O/S)	4	AP
6	6CJ-11631-00-96	PISTON (STD)	4	
7	67C-11603-00-00	PISTON RING SET (STD)	4	
7	67C-11604-00-00	PISTON RING SET (0.25MM O/S)	4	AP
7	67C-11605-00-00	PISTON RING SET (0.50MM O/S)	4	AP
8	62Y-11633-00-00	PIN, PISTON	4	
9	93450-17129-00	CIRCLIP	8	
10	93102-43004-00	.OIL SEAL	1	
11	93101-35002-00	.OIL SEAL	1	

F70LA_0112 / CYLINDER CRANKCASE 2



©2014 Yamaha Motor Corporation, U.S.A. All rights reserved.



Part List

F70LA_0112 / CYLINDER CRANKCASE 2

REF - NO	PART NUMBER	PART NAME	QUANTITY	REMARKS
1	6CJ-W009A-00-9S	CYLINDER HEAD COMPLETE	1	
2	6CJ-11111-00-9S	HEAD, CYLINDER 1	1	
3	6AH-11133-10-00	.GUIDE, VALVE 1	16	
4	6G8-11325-00-00	ANODE	3	
5	97880-05025-00	SCREW, PAN HEAD	3	
6	6G8-11197-01-00	PLUG, BLIND	3	
7	93210-13M63-00	.O-RING	3	
8	90109-06M65-00	BOLT	1	
9	90430-06014-00	.GASKET	1	
10	6CJ-11181-00-00	.GASKET, CYLINDER HEAD 1	1	
11	99530-08012-00	PIN, DOWEL	2	
12	90105-09009-00	BOLT, FLANGE	10	
13	90119-06MA6-00	BOLT, WITH WASHER	5	
14	6CJ-11191-00-9S	COVER, CYLINDER HEAD 1	1	
15	6C5-11168-00-00	COVER, BREATHER	1	
16	98507-04010-00	SCREW, PAN HEAD	6	
17	92907-04600-00	WASHER	6	
18	6CJ-11356-00-00	.SEAL, CYLINDER 2	1	
19	97095-06020-00	BOLT	6	
20	92995-06600-00	WASHER	6	
21	6CJ-11119-00-00	HANGER, ENGINE	1	
22	97095-06020-00	BOLT	2	
23	92995-06600-00	WASHER	2	
24	6CJ-11192-00-00	COVER, CYLINDER HEAD 2	1	
25	90480-12314-00	GROMMET	3	
26	6G8-15363-00-00	PLUG, OIL	1	
27	93210-24M79-00	.O-RING	1	
28	LKR-7E000-00-00	PLUG, SPARK (NGK LKR7E)	4	

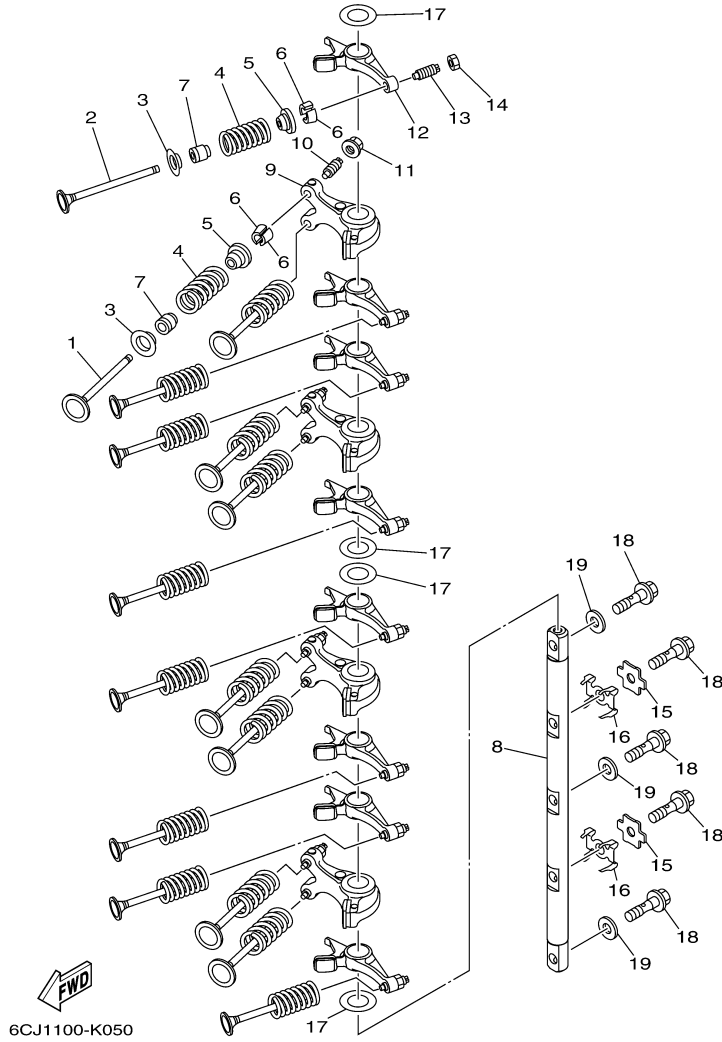
Part Notes

F70LA_0112 / CYLINDER CRANKCASE 2

PART NUMBER	NOTE TEXT
90480-12314-00 	OEM: GROMMET used on F115TLR and F/LF115TXR 0510 Production and Later
LKR-7E000-00-00 	OEM: This part number is among the Top 100 Most Popular Marine Maintenance Parts as of March 2014.

©2014 Yamaha Motor Corporation, U.S.A. All rights reserved.

F70LA_0112 / VALVE



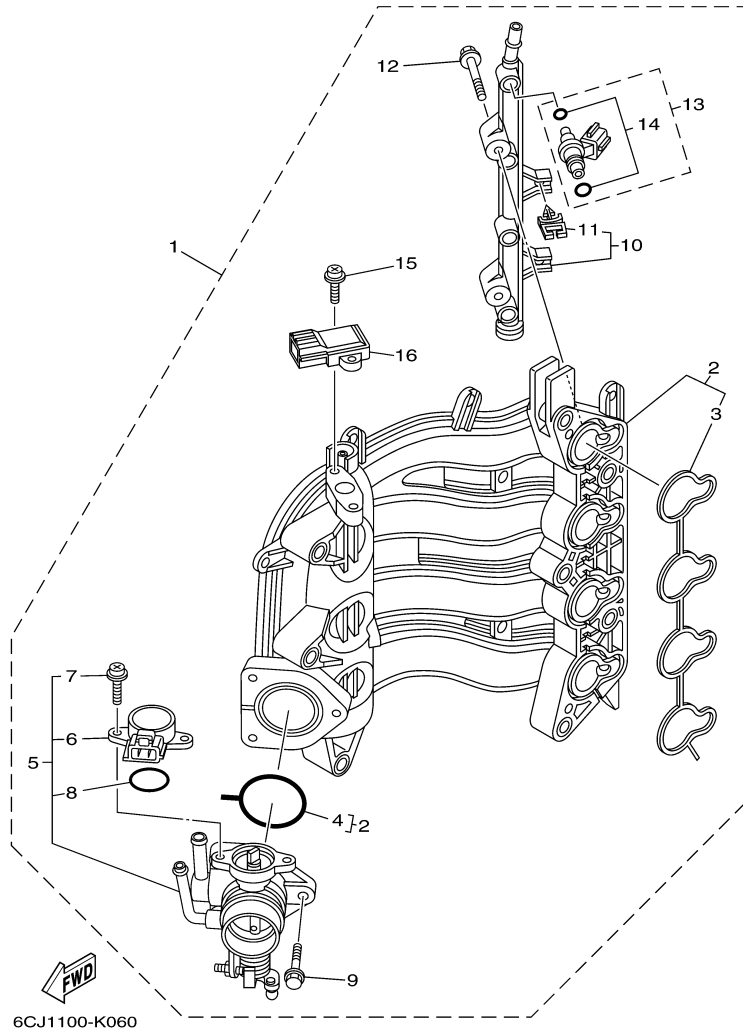
©2014 Yamaha Motor Corporation, U.S.A. All rights reserved.

Part List

F70LA_0112 / VALVE

REF - NO	PART NUMBER	PART NAME	QUANTITY	REMARKS
1	6CJ-12111-00-00	VALVE, INTAKE	8	
2	6CJ-12121-00-00	VALVE, EXHAUST	8	
3	6CJ-12116-00-00	SEAT, VALVE SPRING	16	
4	6CJ-12113-00-00	SPRING, VALVE INNER	16	
5	3LD-12117-00-00	RETAINER, VALVE SPRING	16	
6	3LD-12118-00-00	LOCK, VALVE SPRING RETAINER	32	
7	51Y-12119-00-00	SEAL, VALVE STEM	16	
8	6CJ-12146-00-00	SHAFT, ROCKER	1	
9	6CJ-12151-00-00	ARM, VALVE ROCKER	4	
10	6C5-12159-00-00	SCREW, VALVE ADJUSTING	8	
11	6C5-12158-00-00	NUT, LOCK	8	
12	6CJ-12161-00-00	ARM, VALVE ROCKER 2	8	
13	64J-12159-00-00	SCREW, VALVE ADJUSTING	8	
14	62Y-12158-00-00	NUT, LOCK	8	
15	6CJ-12231-00-00	GUIDE, STOPPER 1	2	
16	6CJ-12233-00-00	PLATE, GUIDE STOPPER 1	2	
17	90201-16014-00	WASHER, PLATE	4	
18	90401-08011-00	BOLT, UNION	5	
19	92990-08200-00	WASHER, PLAIN	3	

F70LA_0112 / INTAKE 1



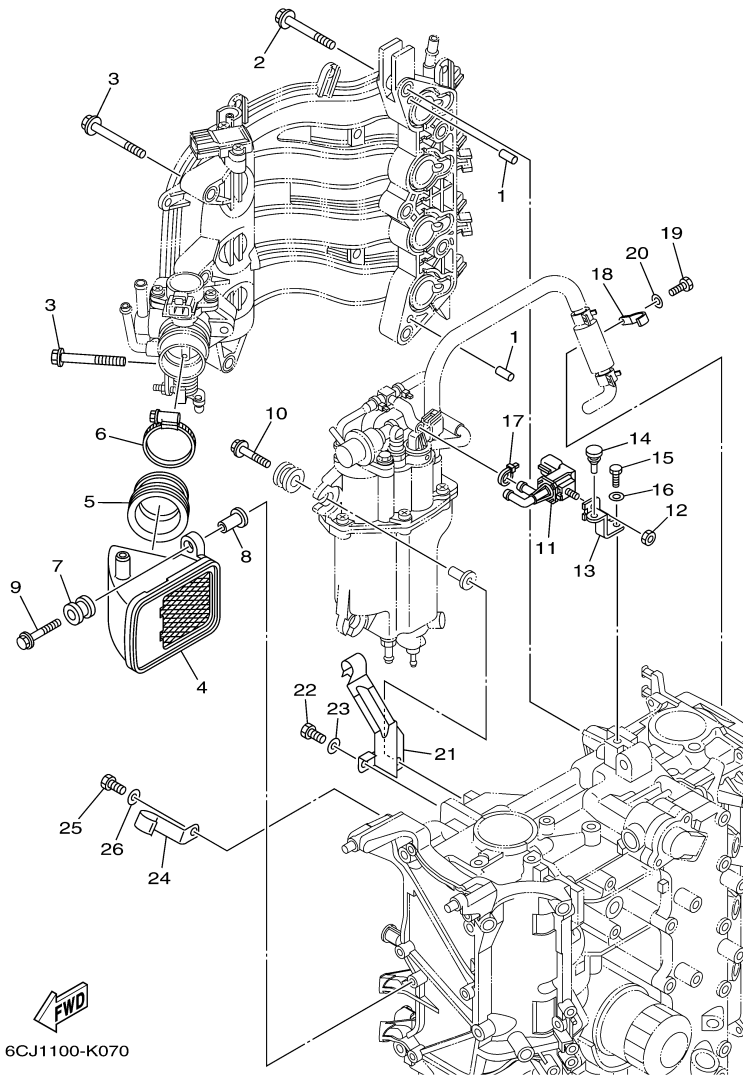
©2014 Yamaha Motor Corporation, U.S.A. All rights reserved.

Part List

F70LA_0112 / INTAKE 1

REF - NO	PART NUMBER	PART NAME	QUANTITY	REMARKS
1	6CJ-14200-00-00	INTAKE ASSY	1	
2	6CJ-13641-00-00	.MANIFOLD, INTAKE 1	1	
3	6C5-13645-00-00	..GASKET, MANIFOLD 1	1	
4	6C5-13557-00-00	..GASKET	1	
5	6CJ-13750-00-00	.THROTTLE BODY ASSY	1	
6	6C5-85885-00-00	..THROTTLE SENSOR ASSY	1	
7	6C5-81145-00-00	..SCREW 1	2	
8	6C5-8182L-00-00	..O-RING 1	1	
9	6C5-14496-00-00	.BOLT	3	
10	6C5-13161-00-00	.PIPE, DELIVERY 1	1	
11	90464-07M56-00	..CLAMP	2	
12	6C5-14446-00-00	.BOLT	2	
13	6C5-13761-00-00	.INJECTOR	4	
14	6C5-1410B-00-00	..PACKING KIT	1	
15	6C5-81146-00-00	.SCREW 2	2	
16	68F-83688-00-00	..SENSOR ASSY	1	

F70LA_0112 / INTAKE 2



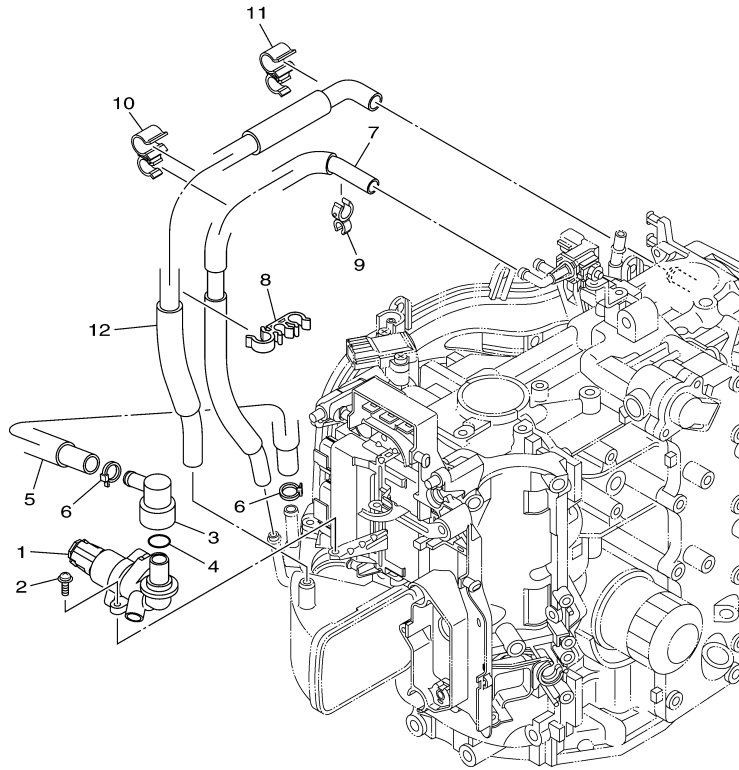
©2014 Yamaha Motor Corporation, U.S.A. All rights reserved.

Part List

F70LA_0112 / INTAKE 2

REF - NO	PART NUMBER	PART NAME	QUANTITY	REMARKS
1	93608-12M05-00	PIN, DOWEL	2	
2	90119-08069-00	BOLT, WITH WASHER	5	
3	90119-06087-00	BOLT, WITH WASHER	5	
4	6C5-14440-00-00	SILENCER ASSY, INTAKE	1	
5	6C5-14453-01-00	JOINT, AIR CLEANER 1	1	
6	90450-50001-00	HOSE CLAMP ASSY	1	
7	6A0-82317-00-00	DAMPER, IGNITION COIL	2	
8	90387-06119-00	COLLAR	2	
9	90119-06106-00	BOLT, WITH WASHER	2	
10	90119-06M61-00	BOLT, WITH WASHER	3	
11	6C5-86120-00-00	SOLENOID VALVE ASSY	1	
12	95380-06600-00	NUT, HEXAGON	1	
13	6BG-86112-00-00	STAY, SOLENOID	1	
14	90480-06M19-00	GROMMET	1	
15	97095-06016-00	BOLT	1	
16	92995-06600-00	WASHER	1	
17	90465-11M10-00	CLAMP	1	
18	6CJ-13428-00-00	BRACKET, STRAINER 1	1	
19	97095-06016-00	BOLT	1	
20	92995-06600-00	WASHER	1	
21	6C5-15378-00-00	HOLDER	1	
22	97095-06014-00	BOLT	1	
23	92995-06600-00	WASHER	1	
24	6C5-15378-11-00	HOLDER	1	
25	97095-06016-00	BOLT	1	
26	92995-06600-00	WASHER	1	

F70LA_0112 / INTAKE 3



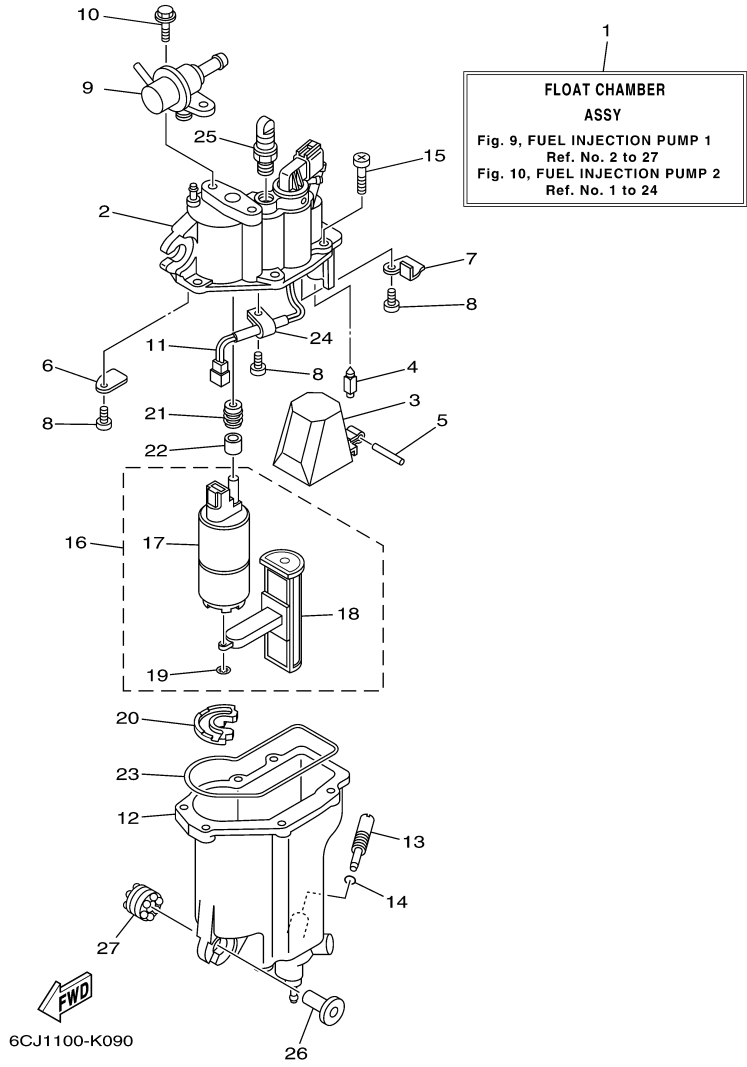
©2014 Yamaha Motor Corporation, U.S.A. All rights reserved.

Part List

F70LA_0112 / INTAKE 3

REF - NO	PART NUMBER	PART NAME	QUANTITY	REMARKS
1	6C5-13713-00-00	VALVE, IDLE SPEED CONTROL	1	
2	97980-05214-00	.SCREW, WITH WASHER	2	
3	6CJ-11372-00-00	NIPPLE, HOSE	1	
4	93210-33003-00	O-RING	1	
5	6CJ-13543-00-00	HOSE, AIR	1	
6	90465-11M10-00	CLAMP	2	
7	6CJ-12576-00-00	HOSE 1	1	
8	90464-15008-00	CLAMP	1	
9	90464-12006-00	CLAMP	1	
10	90464-15007-00	CLAMP	1	
11	90464-15007-00	CLAMP	1	
12	6CJ-1531A-00-00	HOSE, BREATHER 1	1	

F70LA_0112 / FUEL INJECTION PUMP 1



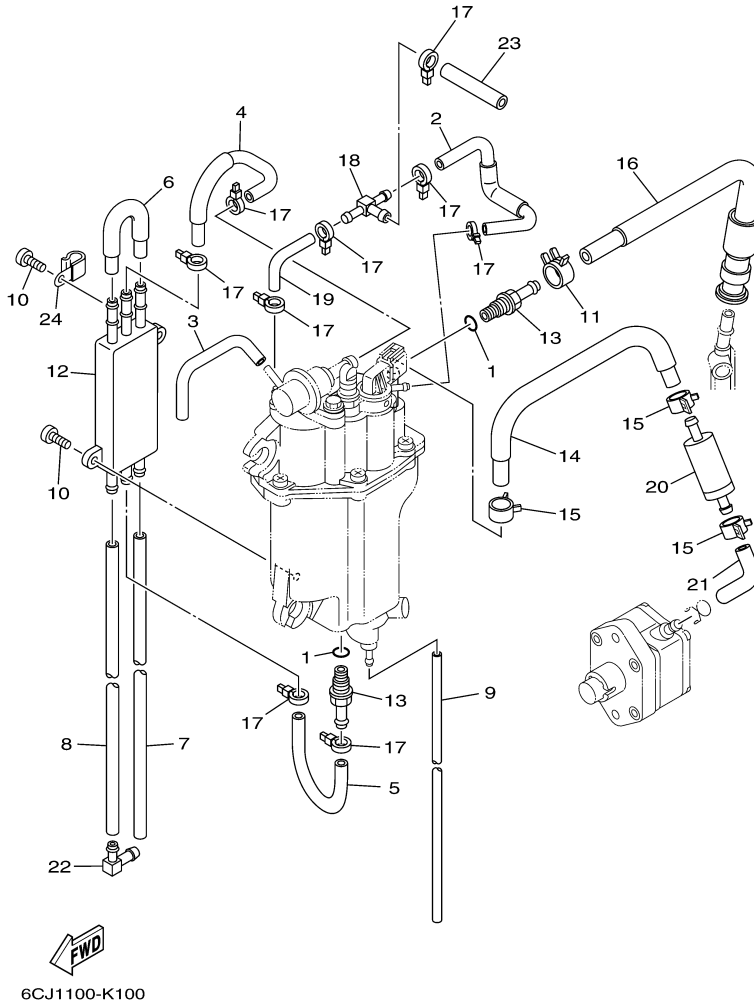
©2014 Yamaha Motor Corporation, U.S.A. All rights reserved.

Part List

F70LA_0112 / FUEL INJECTION PUMP 1

REF - NO	PART NUMBER	PART NAME	QUANTITY	REMARKS
1	6CJ-14180-10-00	FLOAT CHAMBER ASSY	1	
2	6C5-14182-10-00	COVER, FLOAT CHAMBER	1	
3	6C5-14985-00-00	FLOAT	1	
4	6C5-14546-10-00	VALVE, NEEDLE	1	
5	6C5-14386-00-00	PIN, FLOAT	1	
6	6C5-2441R-10-00	PLATE, BAFFLE 1	1	
7	6C5-2441T-10-00	PLATE, BAFFLE 2	1	
8	6C5-24453-00-00	SCREW	3	
9	6C5-13906-01-00	REGULATOR, PRESSURE	1	
10	6C5-24592-00-00	BOLT	2	
11	6C5-87226-00-00	WIRE HARNESS ASSY	1	
12	6C5-14960-10-00	BODY ASSY	1	
13	6C5-14191-00-00	PLUG, DRAIN	1	
14	6C5-14397-00-00	O-RING	1	
15	6C5-14567-00-00	SCREW	6	
16	6C5-13910-10-00	FUEL PUMP ASSY	1	
17	6C5-13907-00-00	.FUEL PUMP COMP	1	
18	6C5-13915-00-00	.FILTER	1	
19	6C5-14127-10-00	.CLIP	1	
20	6C5-13593-00-00	DAMPER	1	
21	6C5-13781-00-00	DAMPER, PUMP	1	
22	6C5-13716-00-00	COLLAR	1	
23	6C5-14984-00-00	GASKET, FLOAT CHAMBER	1	
24	6C5-21337-10-00	CLAMP, CABLE	1	
25	6C5-14225-00-00	CAP	1	
26	90387-06M03-00	COLLAR	3	
27	69L-85516-00-00	SPACER	3	

F70LA_0112 / FUEL INJECTION PUMP 2



©2014 Yamaha Motor Corporation, U.S.A. All rights reserved.


Part List

F70LA_0112 / FUEL INJECTION PUMP 2

REF - NO	PART NUMBER	PART NAME	QUANTITY	REMARKS
1	6C5-13739-00-00	O-RING	2	
2	6CJ-13546-00-00	HOSE 2	1	
3	6C5-13542-00-00	HOSE, VACUUM SENSING 1	1	
4	6CJ-24321-10-00	PIPE 10	1	
5	6C5-24322-20-00	PIPE 11	1	
6	6CJ-24323-00-00	PIPE 12	1	
7	6CJ-24324-00-00	PIPE 13	1	
8	6CJ-24325-00-00	PIPE 14	1	
9	6BG-14149-00-00	PIPE	1	
10	6C5-24444-00-00	SCREW	2	
11	6C5-13577-00-00	CLIP	1	
12	6C5-21841-00-00	COOLER	1	
13	6C5-14251-00-00	NIPPLE	2	
14	6C5-14148-20-00	PIPE	1	
15	6BG-24387-00-00	CLIP	3	
16	6CJ-13974-10-00	PIPE, FUEL 4	1	
17	90465-11M10-00	CLAMP	9	
18	6C5-24379-00-00	PIPE, JOINT 4	1	
19	6BG-13545-00-00	HOSE 1	1	
20	6C5-24251-00-00	STRAINER 1	1	
21	6CJ-2451B-10-00	HOSE, FUEL INLET	1	
22	6C5-1410F-00-00	CONNECTOR	1	
23	6C5-13547-00-00	HOSE 3	1	
24	90465-08M83-00	CLAMP	1	

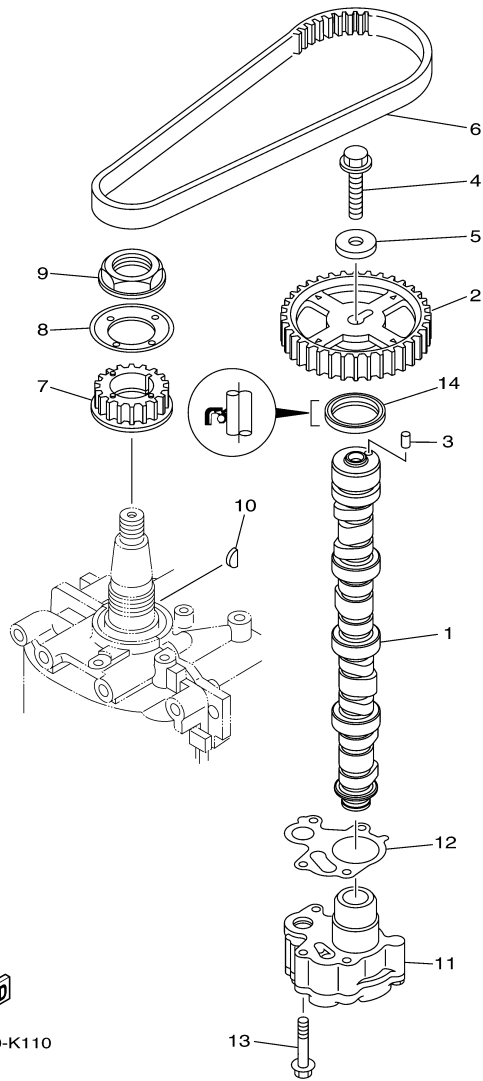
Part Notes

F70LA_0112 / FUEL INJECTION PUMP 2

PART NUMBER	NOTE TEXT
6C5-24251-00-00 	OEM: This part number is among the Top 100 Most Popular Marine Maintenance Parts as of March 2014.

©2014 Yamaha Motor Corporation, U.S.A. All rights reserved.

F70LA_0112 / OIL PUMP



6CJ1100-K110

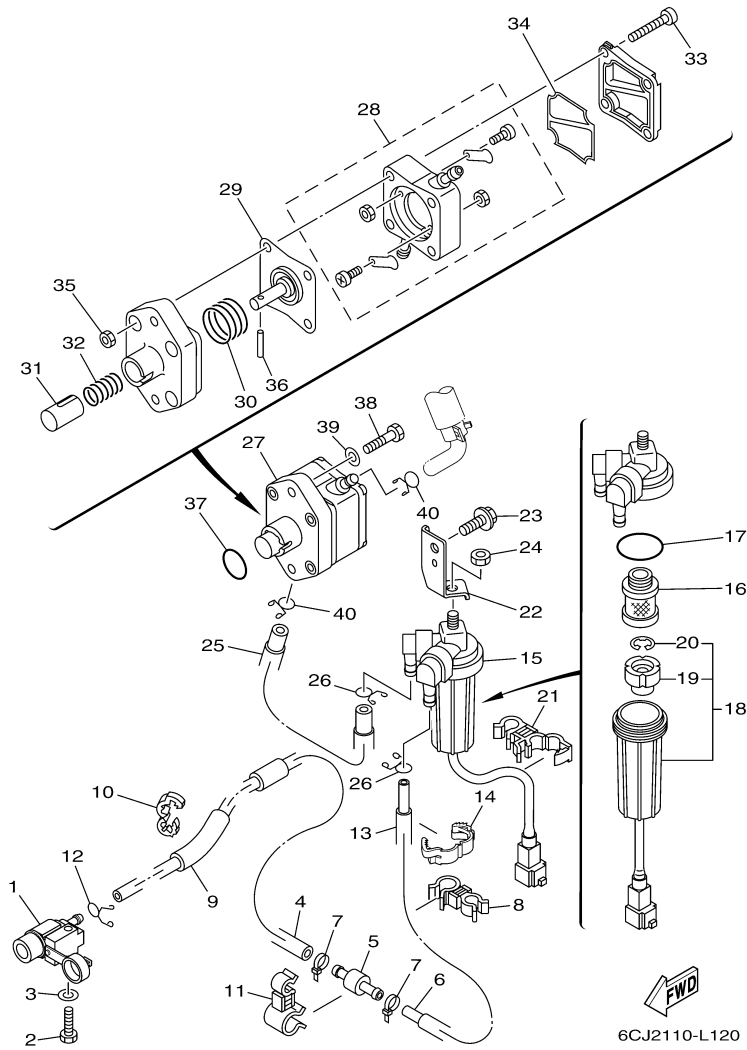
©2014 Yamaha Motor Corporation, U.S.A. All rights reserved.

Part List

F70LA_0112 / OIL PUMP

REF - NO	PART NUMBER	PART NAME	QUANTITY	REMARKS
1	6CJ-12171-00-00	CAMSHAFT 1	1	
2	6C5-11537-00-00	GEAR, DRIVEN	1	
3	93605-17002-00	PIN, DOWEL	1	
4	95817-10035-00	BOLT, FLANGE	1	
5	90201-10144-00	WASHER, PLATE	1	
6	6C5-46241-00-00	BELT	1	
7	6C5-11536-00-00	GEAR, DRIVE	1	
8	62Y-11557-00-00	WASHER 1	1	
9	90179-35001-00	NUT	1	
10	90280-03M01-00	.KEY, WOODRUFF	1	
11	6CJ-13300-00-00	OIL PUMP ASSY	1	
12	6C5-13329-00-00	.GASKET, PUMP COVER	1	
13	90119-06025-00	BOLT, WITH WASHER	4	
14	93102-37M40-00	.OIL SEAL	1	

F70LA_0112 / FUEL



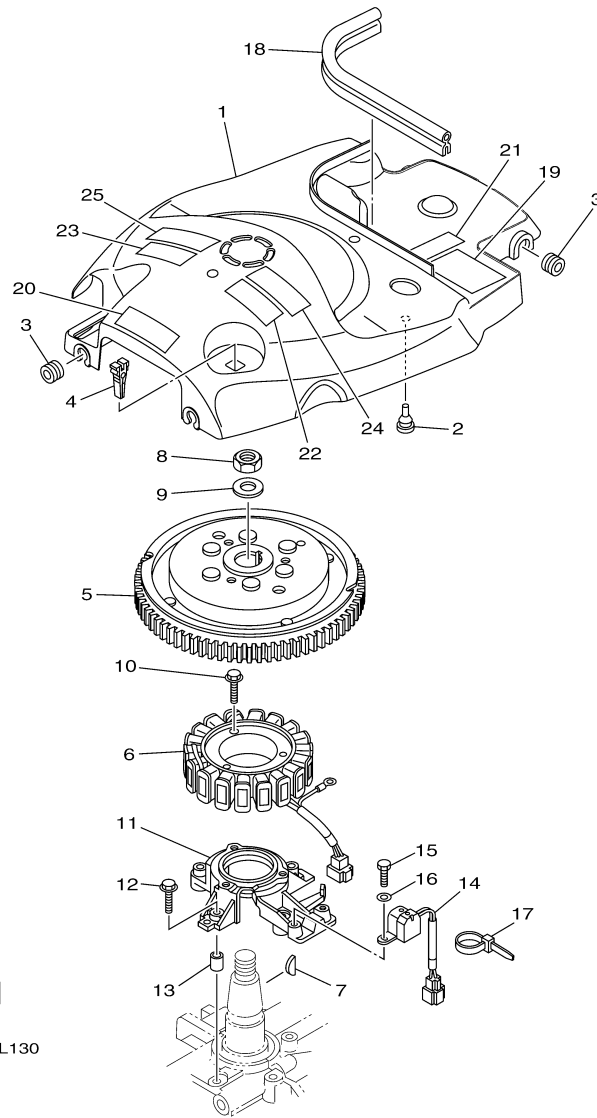
©2014 Yamaha Motor Corporation, U.S.A. All rights reserved.

Part List

F70LA_0112 / FUEL

REF - NO	PART NUMBER	PART NAME	QUANTITY	REMARKS
1	6YL-24304-00-00	FUEL PIPE JOINT COMP. 1	1	
2	97095-06025-00	BOLT	1	
3	92995-06600-00	WASHER	1	
4	6BG-24313-10-00	PIPE 3	1	
5	67F-24377-00-00	PIPE, JOINT 2	1	
6	90445-13022-00	HOSE (L195)	1	
7	90465-11M10-00	CLAMP	2	
8	90464-12004-00	CLAMP	1	
9	90446-13M11-00	HOSE (L65)	1	
10	90464-13227-00	CLAMP	1	
11	90464-16017-00	CLAMP	1	
12	90467-09M17-00	CLIP	1	
13	90446-15006-00	HOSE (L150)	1	
14	90464-14010-00	CLAMP	1	
15	6D8-24560-00-00	FILTER ASSY	1	
16	6D8-24563-00-00	.ELEMENT, FILTER	1	
17	6D8-24564-00-00	.GASKET	1	
18	6D8-24562-00-00	.CUP, FILTER	1	
19	6D8-24469-00-00	..FLOAT, WATER LEVEL	1	
20	6D8-24519-00-00	..CLIP	1	
21	90464-12012-00	CLAMP	1	
22	6CJ-24566-00-00	BRACKET, FILTER	1	
23	95895-08016-00	BOLT, FLANGE	1	
24	95380-08600-00	NUT	1	
25	6BG-24311-10-00	PIPE, FUEL 1	1	
26	90467-11M08-00	CLIP	2	
27	6CJ-24410-00-00	FUEL PUMP ASSY	1	
28	6CJ-24415-00-00	.BODY 4	1	
29	62Y-24411-02-00	.DIAPHRAGM	1	
30	62Y-24423-00-00	.SPRING, DIAPHRAGM	1	
31	6CJ-13131-00-00	.PLUNGER	1	
32	6CJ-24454-00-00	.SPRING	1	
33	62Y-24444-01-00	.SCREW	4	
34	6C5-24471-00-00	.DIAPHRAGM	1	
35	95380-05600-00	.NUT	4	
36	6CJ-24374-00-00	.PIN	1	
37	93210-24M79-00	.O-RING	1	
38	97095-06030-00	BOLT	2	
39	92995-06600-00	WASHER	2	
40	90467-10M04-00	CLIP	2	

F70LA_0112 / GENERATOR



6CJ3100-L130

©2014 Yamaha Motor Corporation, U.S.A. All rights reserved.


Part List

F70LA_0112 / GENERATOR

REF - NO	PART NUMBER	PART NAME	QUANTITY	REMARKS
1	6CJ-81337-00-00	COVER, FLYWHEEL	1	
2	90480-06M19-00	GROMMET	1	
3	90480-12314-00	GROMMET	4	
4	67F-2812A-00-00	.PULLER, FUSE	1	
5	6C5-81450-00-00	ROTOR ASSY	1	
6	6C5-81410-01-00	STATOR ASSY	1	
7	6H4-11545-00-00	KEY, WOODRUFF	1	
8	90170-20137-00	NUT	1	
9	90201-21M18-00	WASHER, PLATE	1	
10	95023-06030-00	BOLT	3	
11	6C5-85561-00-00	BASE, MAGNETO	1	
12	95023-06030-00	BOLT	4	
13	99530-08012-00	PIN, DOWEL	2	
14	62Y-85580-00-00	COIL, PULSER	1	
15	97095-05012-00	BOLT	2	
16	92995-05600-00	WASHER	2	
17	90465-13M97-00	CLAMP	1	
18	6BG-42617-00-00	DAMPER, FORM	1	
19	62Y-83626-00-00	MARK 6	1	
20	6CJ-81919-00-00	GRAPHIC, REGULATOR	1	
21	6C5-13437-52-00	MARK, CAUTION	1	
22	6AH-81995-40-00	LABEL, WARNING	1	
23	6AH-81995-50-00	LABEL, WARNING	1	
24	6AH-81994-40-00	LABEL, SAFETY	1	
25	6AH-81994-50-00	LABEL, SAFETY	1	

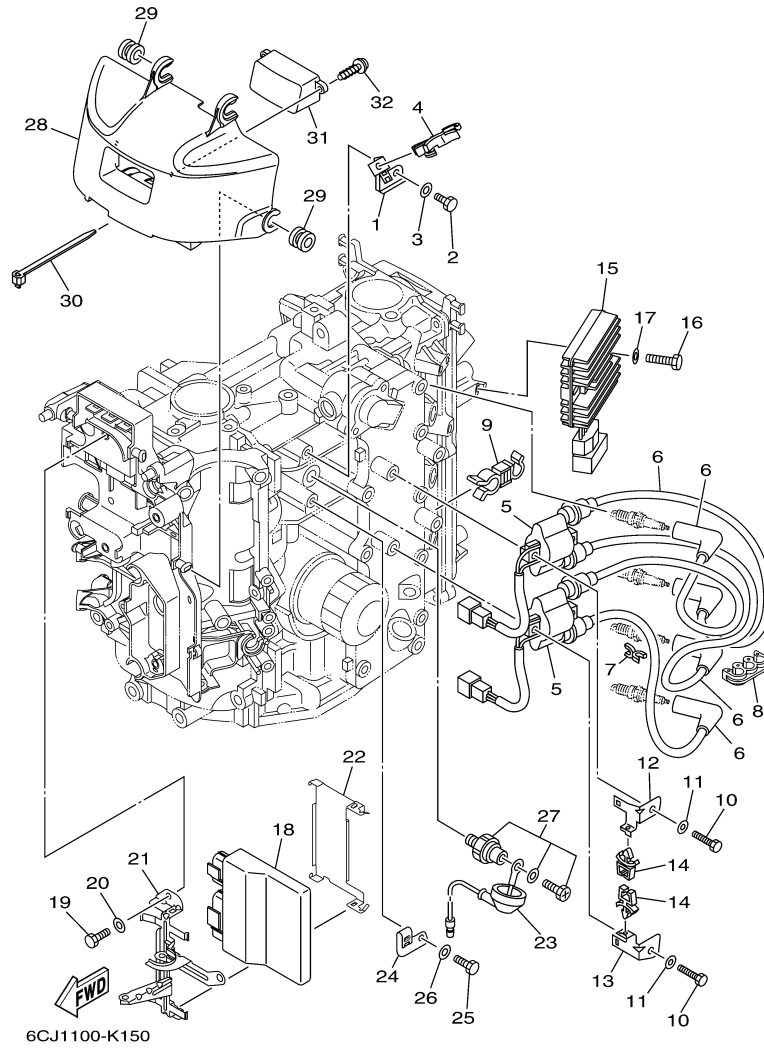
Part Notes

F70LA_0112 / GENERATOR

PART NUMBER	NOTE TEXT
90480-12314-00 	OEM: GROMMET used on F115TLR and F/LF115TXR 0510 Production and Later

©2014 Yamaha Motor Corporation, U.S.A. All rights reserved.

F70LA_0112 / ELECTRICAL 1



©2014 Yamaha Motor Corporation, U.S.A. All rights reserved.


Part List

F70LA_0112 / ELECTRICAL 1

REF - NO	PART NUMBER	PART NAME	QUANTITY	REMARKS
1	6C5-85525-00-00	PLATE	1	
2	97095-06014-00	BOLT	1	
3	92995-06600-00	WASHER	1	
4	90464-18246-00	CLAMP	1	
5	63P-82310-01-00	IGNITION COIL ASSY	2	
6	6CJ-82340-00-00	HIGH TENSION CORD ASSY 1	4	
7	90464-07M41-00	CLAMP	1	
8	90464-07M05-00	CLAMP	1	
9	90464-13013-00	CLAMP	1	
10	97095-06025-00	BOLT	4	
11	92995-06600-00	WASHER	4	
12	6C5-82316-01-00	BRACKET, IGNITION COIL	1	
13	6C5-82316-11-00	BRACKET, IGNITION COIL	1	
14	90464-06001-00	CLAMP	2	
15	68V-81960-10-00	RECTIFIER & REGULATOR ASSY	1	
16	97095-06025-00	BOLT	2	
17	92995-06600-00	WASHER	2	
18	6CJ-8591A-00-00	ENGINE CONTROL UNIT ASSY	1	
19	97095-06016-00	BOLT	3	
20	92995-06600-00	WASHER	3	
21	6CJ-82588-00-00	PLATE	1	
22	6CJ-8253B-00-00	PLATE, LOCK	1	
23	68V-81315-00-00	LEAD WIRE ASSY	1	
24	6CJ-82388-00-00	PLATE	1	
25	97095-06014-00	BOLT	1	
26	92995-06600-00	WASHER	1	
27	64J-82504-00-00	OIL PRESSURE SWITCH ASSY	1	
28	6CJ-81942-00-00	COVER	1	
29	90480-12314-00	GROMMET	4	
30	90465-13M24-00	CLAMP	1	
31	6CJ-83559-00-00	COVER, METER	1	
32	90167-05009-00	SCREW, TAPPING	2	

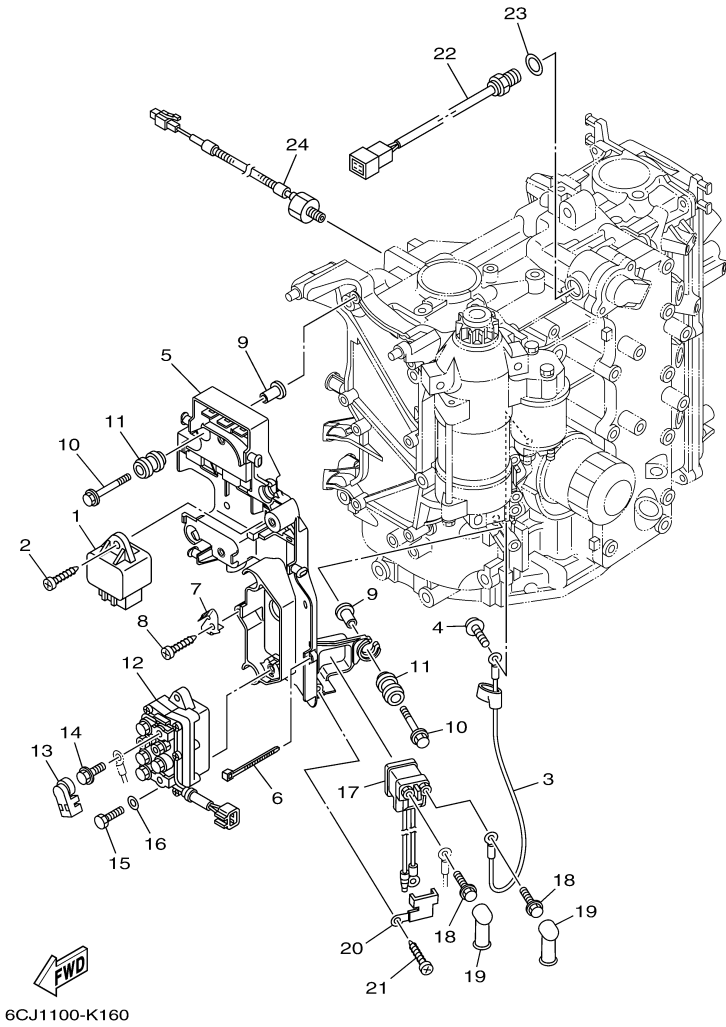
Part Notes

F70LA_0112 / ELECTRICAL 1

PART NUMBER	NOTE TEXT
90480-12314-00 	OEM: GROMMET used on F115TLR and F/LF115TXR 0510 Production and Later

©2014 Yamaha Motor Corporation, U.S.A. All rights reserved.

F70LA_0112 / ELECTRICAL 2



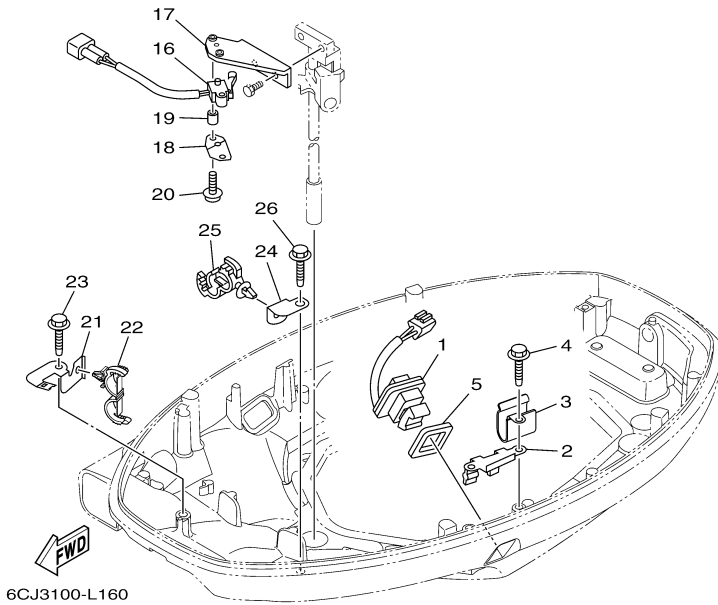
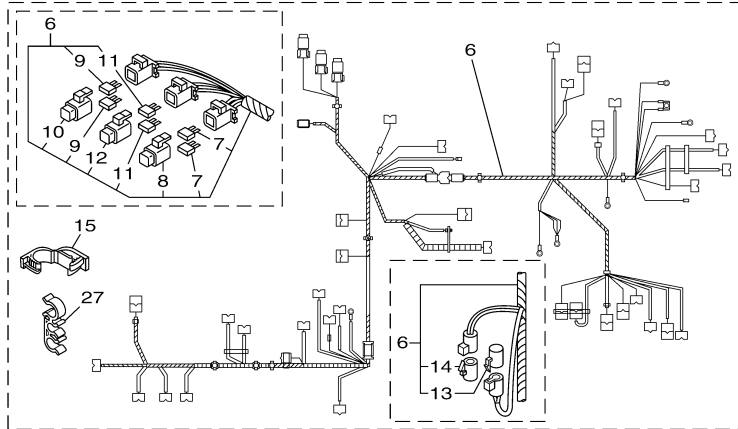
©2014 Yamaha Motor Corporation, U.S.A. All rights reserved.

Part List

F70LA_0112 / ELECTRICAL 2

REF - NO	PART NUMBER	PART NAME	QUANTITY	REMARKS
1	60E-81950-00-00	RELAY ASSY	1	
2	97780-60620-00	SCREW, TAPPING	1	
3	6C5-81815-00-00	CORD, STARTER MOTOR	1	
4	90159-04005-00	SCREW, WITH WASHER	1	
5	6CJ-81948-00-00	BRACKET	1	
6	90465-13M97-00	CLAMP	4	
7	6CJ-85548-00-00	HOLDER	1	
8	97780-60620-00	SCREW, TAPPING	1	
9	90387-06119-00	COLLAR	6	
10	90119-06M59-00	BOLT, WITH WASHER	6	
11	6A0-82317-00-00	DAMPER, IGNITION COIL	6	
12	63P-81950-00-00	RELAY ASSY	1	
13	6P2-8183X-00-00	CAP, TERMINAL	2	
14	97595-06610-00	BOLT, WITH WASHER	2	
15	97095-06020-00	BOLT	2	
16	92995-06600-00	WASHER	2	
17	68V-8194A-00-00	RELAY	1	
18	97595-06610-00	BOLT, WITH WASHER	2	
19	6G5-82119-00-00	COVER, LEAD WIRE	2	
20	68F-81953-00-00	STAY, RELAY	1	
21	97780-60620-00	SCREW, TAPPING	1	
22	6CJ-85790-00-00	THERMOSENSOR ASSY	1	
23	90430-14115-00	.GASKET	1	
24	6CJ-85780-00-00	SENSOR, KNOCK	1	

F70LA_0112 / ELECTRICAL 3



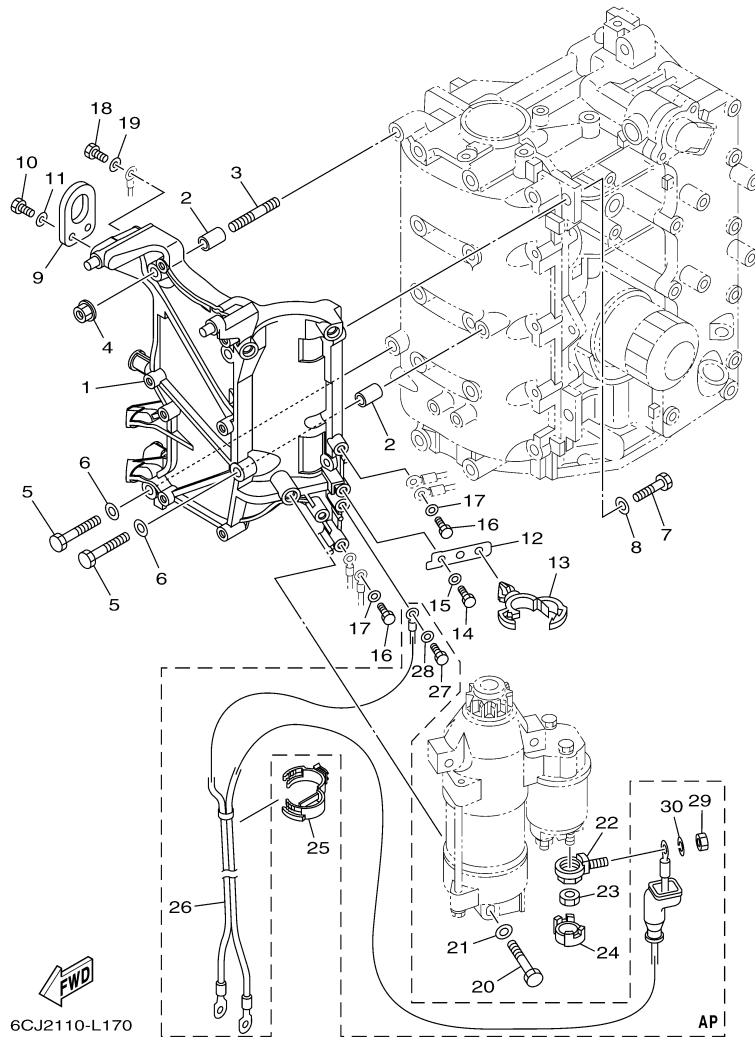
©2014 Yamaha Motor Corporation, U.S.A. All rights reserved.

Part List

F70LA_0112 / ELECTRICAL 3

REF - NO	PART NUMBER	PART NAME	QUANTITY	REMARKS
1	69J-82563-00-00	TRIM & TILT SWITCH ASSY	1	
2	6BG-83614-00-00	BRACKET	1	
3	90465-08M89-00	CLAMP	1	
4	90109-06M86-00	BOLT	2	
5	69J-82587-00-00	GASKET	1	
6	6CJ-82590-10-00	WIRE HARNESS ASSY	1	FOR TILT LIMIT
7	67F-82151-00-00	.FUUSE (20A)	2	
8	67F-8215B-10-00	.CAP (YELLOW)	1	
9	67F-82151-10-00	.FUUSE (30A)	2	
10	67F-8215B-20-00	.CAP (GREEN)	1	
11	5JJ-82151-10-00	.FUUSE (15A-BL)	2	
12	67F-8215B-00-00	.CAP (BLACK)	1	
13	6P2-82582-00-00	.CAP 1 (FEMALE)	1	
14	6P2-82582-10-00	.CAP 1 (MALE)	1	
15	90464-18004-00	CLAMP	1	
16	60V-8259F-00-00	SWITCH ASSY	1	
17	6CJ-82554-00-00	STAY, NEUTRAL SWITCH	1	
18	61A-82588-01-00	PLATE	1	
19	90387-04001-00	COLLAR	1	
20	97985-04116-00	SCREW, WITH WASHER	2	
21	6BG-42811-01-00	STAY	1	
22	90464-18205-00	CLAMP	1	
23	90109-06M86-00	BOLT	1	
24	63P-42756-00-00	STAY, CLAMP	1	
25	90464-12183-00	CLAMP	1	FOR TILT LIMIT
26	90109-06M86-00	BOLT	1	
27	90464-15008-00	CLAMP	2	

F70LA_0112 / ELECTRICAL 4



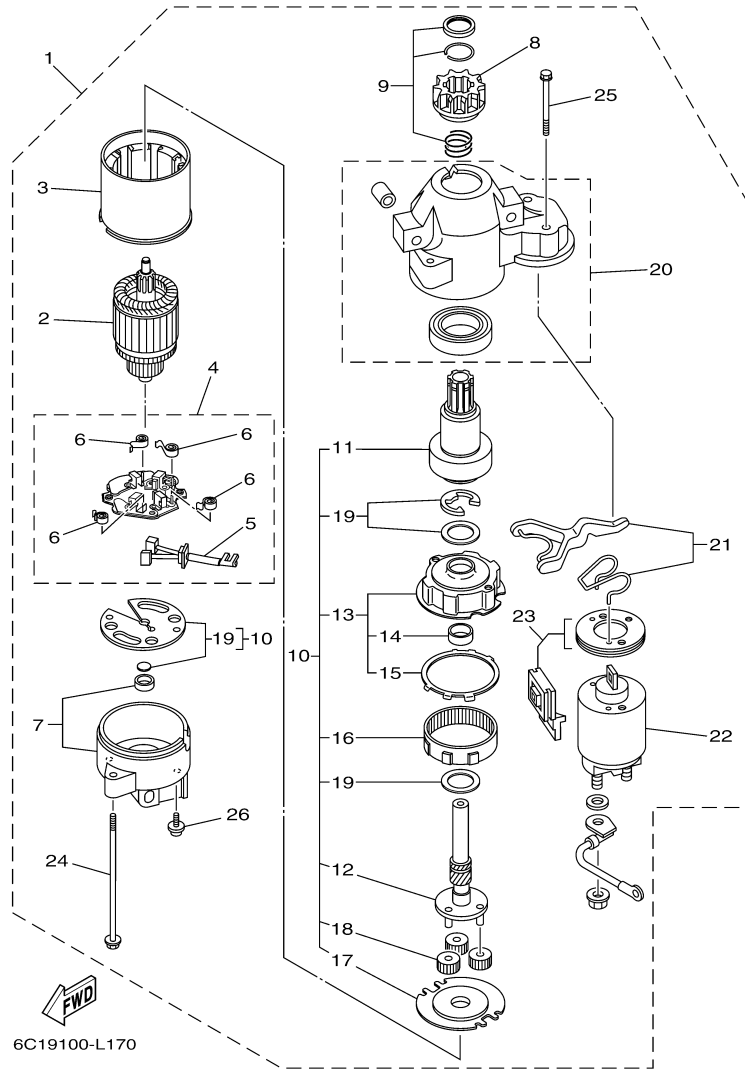
©2014 Yamaha Motor Corporation, U.S.A. All rights reserved.

Part List

F70LA_0112 / ELECTRICAL 4

REF - NO	PART NUMBER	PART NAME	QUANTITY	REMARKS
1	6CJ-81822-00-94	BRACKET, STARTING MOTOR	1	
2	99590-10114-00	.PIN, DOWEL	2	
3	95680-08330-00	BOLT, STUD	1	
4	90179-08M34-00	NUT	1	
5	97095-08035-00	BOLT	2	
6	92995-08600-00	WASHER	2	
7	97095-08025-00	BOLT	2	
8	92995-08600-00	WASHER	2	
9	62Y-11119-00-00	HANGER, ENGINE	1	
10	97095-06020-00	BOLT	2	
11	92995-06600-00	WASHER	2	
12	6CJ-85525-00-00	PLATE	1	
13	90464-20181-00	CLAMP	1	
14	97095-06016-00	BOLT	1	
15	92995-06600-00	WASHER	1	
16	97095-06016-00	BOLT	2	
17	92995-06600-00	WASHER	2	
18	97095-06016-00	BOLT	1	
19	92995-06600-00	WASHER	1	
20	97013-08045-00	BOLT	3	
21	92903-08600-00	WASHER, PLATE	3	
22	60V-81925-00-00	TERMINAL	1	
23	90179-08003-00	NUT	1	
24	68F-82582-00-00	COVER, WIRE HARNESS	1	
25	90464-30003-00	CLAMP	1	
26	6C5-82105-U0-00	BATTERY CABLE	1	AP
27	97095-06016-00	BOLT	1	AP
28	92995-06600-00	WASHER	1	AP
29	95333-08600-00	NUT	1	AP
30	92903-08100-00	WASHER, SPRING	1	AP

F70LA_0112 / STARTING MOTOR



©2014 Yamaha Motor Corporation, U.S.A. All rights reserved.

Part List

F70LA_0112 / STARTING MOTOR

REF - NO	PART NUMBER	PART NAME	QUANTITY	REMARKS
1	6CJ-81800-00-00	STARTING MOTOR ASSY	1	
2	67F-81850-00-00	.ARMATURE ASSY	1	
3	67F-81810-00-00	.STATOR ASSY	1	
4	69J-81840-00-00	.BRUSH HOLDER ASSY	1	
5	69J-81801-00-00	..BRUSH SET	1	
6	67F-81813-00-00	..SPRING, BRUSH	4	
7	68F-81820-00-00	.REAR BRACKET ASSY	1	
8	67F-81808-00-00	.PINION ASSY	1	
9	67F-81857-00-00	.PINION STOPPER SET	1	
10	67F-81807-00-00	.GEAR ASSY, STARTING MOTOR	1	
11	67F-81832-00-00	..CLUTCH, OVER RUN	1	
12	67F-81836-00-00	..SHAFT, PINION	1	
13	67F-81821-00-00	..BRACKET, CENTER 1	1	
14	67F-81841-00-00	...BEARING	1	
15	67F-8183R-00-00	...GASKET	1	
16	67F-81891-00-00	..GEAR, RING	1	WITH 67F-8183R-00
17	67F-81830-00-00	..BRACKET, CENTER 2	1	
18	60V-8183T-00-00	..GEAR, IDLER	3	
19	67F-81809-00-00	..WASHER KIT	1	
20	60X-81842-00-00	.COVER	1	
21	6C5-81839-00-00	.LEVER ASSY	1	
22	6C5-81941-00-00	.STARTER RELAY ASSY	1	
23	6C5-81869-00-00	.COVER, DUST	1	
24	6K7-81826-11-00	.BOLT	2	
25	69J-81828-00-00	.SCREW 2	2	
26	67F-81846-00-00	.SCREW	2	

F70LA_0112 / BOTTOM COWLING 1

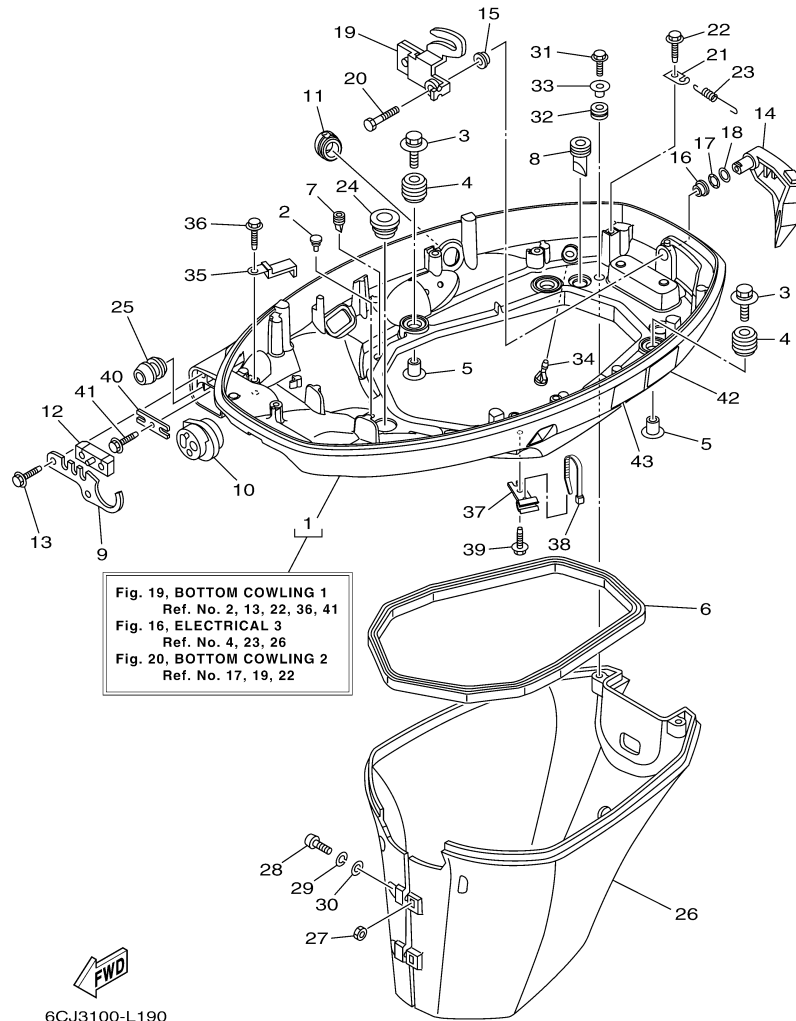


Fig. 19, BOTTOM COWLING 1
 Ref. No. 2, 13, 22, 36, 41
 Fig. 16, ELECTRICAL 3
 Ref. No. 4, 23, 26
 Fig. 20, BOTTOM COWLING 2
 Ref. No. 17, 19, 22


 6CJ3100-L190


Part List

F70LA_0112 / BOTTOM COWLING 1

REF - NO	PART NUMBER	PART NAME	QUANTITY	REMARKS
1	6CJ-42710-00-8D	BOTTOM COWLING ASSY	1	
2	6H4-42748-00-00	GROMMET	3	
3	90119-06M61-00	BOLT, WITH WASHER	4	
4	6BG-42748-00-00	GROMMET	4	
5	90387-06M69-00	COLLAR	4	
6	62Y-42716-00-00	RUBBER, SEAL 1	1	
7	65W-42717-00-00	RUBBER, SEAL 2	2	
8	61A-42717-00-00	RUBBER, SEAL 2	2	
9	6BG-42761-00-00	STOPPER	1	
10	6CJ-42725-00-00	GROMMET	1	
11	6CJ-42726-00-00	GROMMET	1	
12	6BG-42727-00-00	GROMMET	1	
13	90109-06M86-00	BOLT	2	
14	6BG-42815-00-8D	LEVER, CLAMP	1	
15	90386-12M37-00	BUSH	1	
16	90386-12MA2-00	BUSH	1	
17	90206-12052-00	WASHER, WAVE	1	
18	90201-12M07-00	WASHER, PLATE	1	
19	6BG-42816-00-00	LEVER, CLAMP	1	
20	97095-06014-00	BOLT	1	
21	66T-43144-00-00	HOOK, SPRING	1	
22	90109-06M86-00	BOLT	1	
23	90506-18023-00	SPRING, TENSION	1	
24	68U-42727-00-00	GROMMET	1	
25	6BG-24329-00-00	SEAL	1	
26	6BG-42741-10-8D	APRON	1	
27	95380-06600-00	NUT, HEXAGON	2	
28	97880-06025-00	SCREW, PAN HEAD	2	
29	92990-06100-00	..WASHER, SPRING	2	
30	92990-06600-00	WASHER, PLATE	2	
31	90109-06M80-00	.BOLT	2	
32	90480-13M24-00	GROMMET	2	
33	90387-06M43-00	COLLAR	2	
34	6BL-44391-00-00	NIPPLE, HOSE	1	
35	90462-20005-00	CLAMP	1	
36	90109-06M86-00	BOLT	1	
37	90464-09M49-00	CLAMP	1	
38	90465-11M10-00	CLAMP	1	
39	90109-06M86-00	BOLT	1	
40	6BG-48538-00-00	CLAMP, CABLE 1	1	
41	90109-06M86-00	BOLT	1	
42	6AH-42794-40-00	LABEL, WARNING (GENERAL)	1	
43	6AH-42794-50-00	LABEL, WARNING (GENERAL)	1	

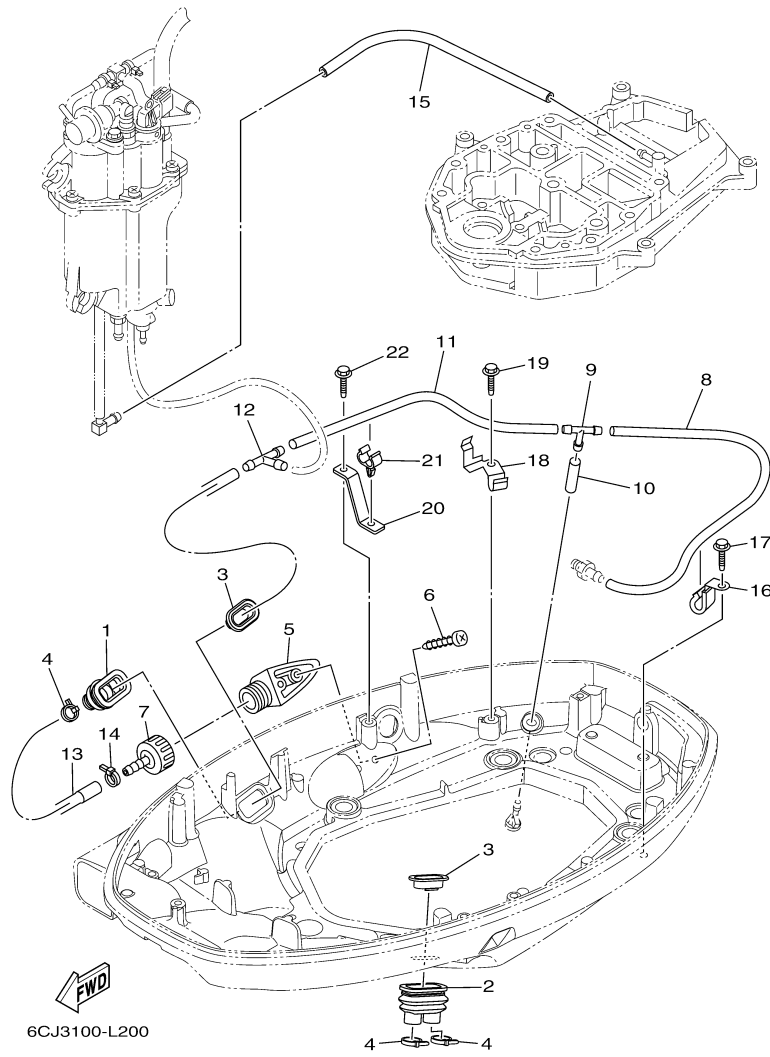
Part Notes

F70LA_0112 / BOTTOM COWLING 1

PART NUMBER	NOTE TEXT
92990-06600-00 	OEM: This part number is among the Top 100 Most Popular Marine Maintenance Parts as of March 2014.

©2014 Yamaha Motor Corporation, U.S.A. All rights reserved.

F70LA_0112 / BOTTOM COWLING 2



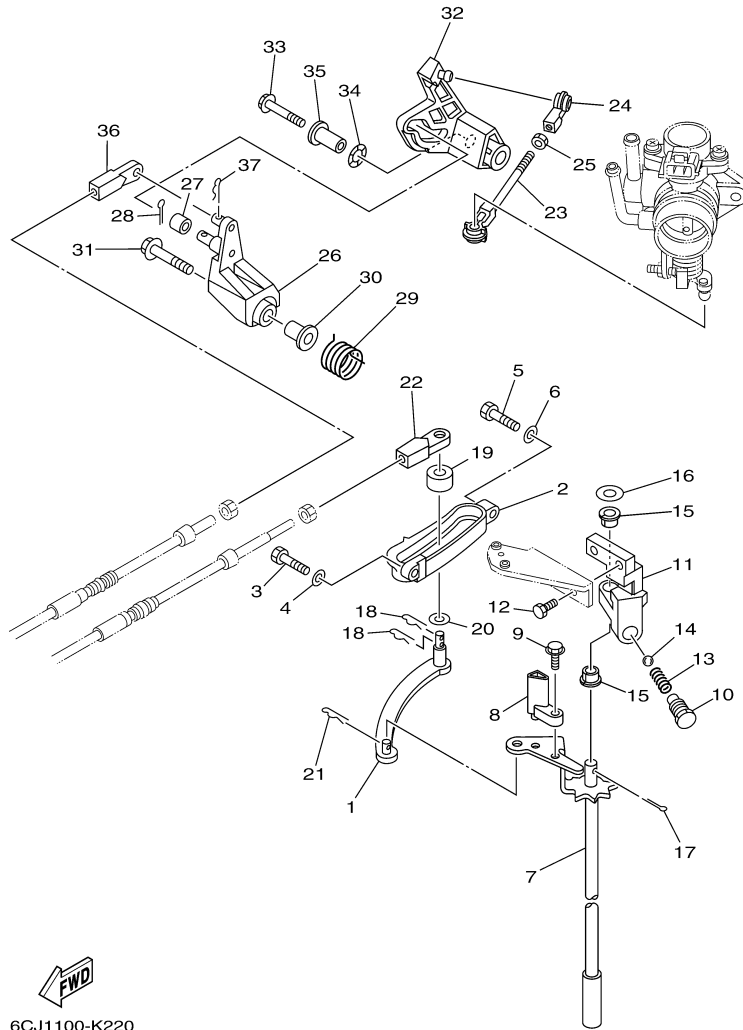
©2014 Yamaha Motor Corporation, U.S.A. All rights reserved.

Part List

F70LA_0112 / BOTTOM COWLING 2

REF - NO	PART NUMBER	PART NAME	QUANTITY	REMARKS
1	6BG-42724-00-00	GROMMET	1	FOR TILT LIMIT
2	6H1-42726-21-00	GROMMET	1	FOR TILT LIMIT
3	6BG-42384-00-00	SEAL, CAP	2	
4	90465-11M10-00	CLAMP	3	FOR TILT LIMIT
5	6AW-12572-00-00	ADAPTER	1	
6	97780-60520-00	SCREW, TAPPING	2	
7	6R3-12580-00-00	JOINT ASSY	1	
8	90445-09036-00	HOSE (L400)	1	
9	688-24378-00-00	PIPE, JOINT 3	1	
10	90445-09220-00	HOSE (L30)	1	
11	90445-096H2-00	HOSE (L280)	1	
12	688-24378-00-00	PIPE, JOINT 3	1	
13	6BG-12481-00-00	PIPE 1	1	
14	90465-11M10-00	CLAMP	1	
15	90445-09304-00	HOSE (L310)	1	
16	90462-08067-00	CLAMP	1	
17	90109-06M86-00	BOLT	1	
18	6BG-24136-01-00	CLAMP 2	1	
19	90109-06M86-00	BOLT	1	
20	6CJ-24135-00-00	CLAMP 1	1	
21	90464-09130-00	CLAMP	1	
22	90109-06M86-00	BOLT	1	

F70LA_0112 / CONTROL



©2014 Yamaha Motor Corporation, U.S.A. All rights reserved.




Part List

F70LA_0112 / CONTROL

REF - NO	PART NUMBER	PART NAME	QUANTITY	REMARKS
1	69W-44121-00-00	LEVER, SHIFT ROD	1	
2	62Y-44117-01-94	BRACKET	1	
3	97095-06020-00	BOLT	1	
4	92995-06600-00	WASHER	1	
5	97095-06025-00	BOLT	1	
6	92995-06600-00	WASHER	1	
7	6C5-44120-01-00	HANDLE GEAR SHIFT ASSY	1	L(21.0")
8	6C5-44122-00-00	BUSHING, SHIFT ROD LEVER	1	
9	97595-05514-00	..BOLT, WITH WASHER	1	
10	62Y-42715-01-00	BUSHING	1	
11	62Y-44118-00-94	BRACKET	1	
12	90101-06054-00	BOLT	2	
13	90501-12082-00	SPRING, COMPRESSION	1	
14	93501-04M02-00	BALL	1	
15	90386-90M90-00	BUSH	2	
16	90201-10M20-00	.WASHER, PLATE	1	
17	91490-20015-00	PIN. COTTER	1	
18	90468-18008-00	CLIP	2	
19	688-44122-00-00	BUSHING, SHIFT ROD LEVER	1	
20	90202-07M07-00	WASHER, PLATE	1	
21	90468-18008-00	CLIP	1	
22	69W-48344-00-00	CABLE END, REMOTE CONTROL	1	
23	688-41211-01-00	LINK, ACCEL.	1	
24	6H4-41237-00-00	JOINT, LINK	1	
25	95380-05700-00	NUT	1	
26	62Y-42154-00-00	LEVER, THROTTLE CONTROL	1	
27	6C5-42171-00-00	BUSHING	1	
28	91490-16010-00	PIN. COTTER	1	
29	62Y-44135-00-00	SPRING	1	
30	90387-06M45-00	COLLAR	1	
31	90119-06106-00	BOLT, WITH WASHER	1	
32	6BG-42335-00-00	LEVER, ACCEL. CONTROL	1	
33	95895-06045-00	BOLT, FLANGE	1	
34	90206-10M04-00	WASHER, WAVE	1	
35	90387-06279-00	COLLAR	1	
36	69W-48344-00-00	CABLE END, REMOTE CONTROL	1	
37	90468-18008-00	CLIP	1	

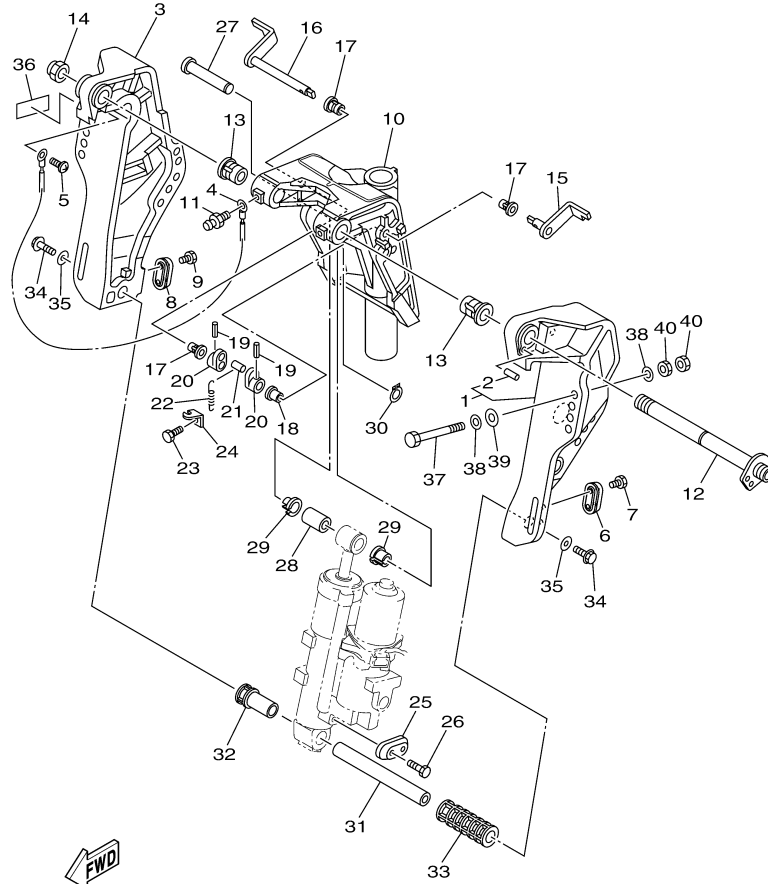
Part Notes

F70LA_0112 / CONTROL

PART NUMBER	NOTE TEXT
90468-18008-00 	OEM: This part number is among the Top 100 Most Popular Marine Maintenance Parts as of March 2014.
90468-18008-00 	OEM: This part number is among the Top 100 Most Popular Marine Maintenance Parts as of March 2014.
90468-18008-00 	OEM: This part number is among the Top 100 Most Popular Marine Maintenance Parts as of March 2014.

©2014 Yamaha Motor Corporation, U.S.A. All rights reserved.

F70LA_0112 / BRACKET 1



6CJ3100-L220

©2014 Yamaha Motor Corporation, U.S.A. All rights reserved.




Part List

F70LA_0112 / BRACKET 1

REF - NO	PART NUMBER	PART NAME	QUANTITY	REMARKS
1	6C5-43111-10-8D	BRACKET, CLAMP 1	1	FOR TILT LIMIT
2	93606-19002-00	.PIN, DOWEL	1	
3	6C5-43112-01-8D	BRACKET, CLAMP 2	1	
4	6E5-82148-00-00	WIRE, LEAD 4	1	
5	97885-06008-00	SCREW, PAN HEAD	1	
6	65W-45251-00-00	ANODE	1	
7	90101-06020-00	BOLT	2	
8	65W-45251-00-00	ANODE	1	
9	90101-06020-00	BOLT	2	
10	6C5-43311-01-8D	BRACKET, SWIVEL 1	1	
11	93700-06M03-00	NIPPLE, GREASE	3	
12	6C5-43131-00-00	BOLT, CLAMP BRACKET	1	FOR TILT LIMIT
13	90386-22MA4-00	BUSH	2	
14	90185-22M11-00	NUT, SELF-LOCKING	1	FOR TILT LIMIT
15	6C5-43181-00-00	LEVER, TILT STOP 1	1	
16	6C5-43185-00-00	LEVER, TILT STOP 2	1	
17	90386-10M16-00	BUSH	3	
18	90386-10025-00	.BUSH	1	
19	91690-30020-00	PIN, SPRING	2	
20	6G5-43148-00-00	COLLAR, DISTANCE	2	
21	90249-06M19-00	PIN	1	
22	90506-14M24-00	SPRING, TENSION	1	
23	97095-06010-00	BOLT	1	
24	6G5-43144-00-00	HOOK, SPRING	1	
25	65W-45251-00-00	ANODE	1	
26	90101-06020-00	BOLT	2	
27	6E5-43126-02-00	PIN, UPPER SHOCK MOUNT	1	
28	90386-18M92-00	BUSH	1	
29	90386-18M35-00	BUSH	2	
30	93410-18M05-00	CIRCLIP	1	
31	6CJ-43818-00-00	PIN, LOWER SHOCK MOUNT	1	
32	6C5-43833-00-00	PIPE	1	
33	6C5-43834-00-00	PIPE	1	
34	97575-10530-00	BOLT, WITH WASHER	2	
35	90201-10060-00	WASHER, PLATE	2	
36	63V-82377-50-00	LABEL (SPARK,IGNITION)	1	
37	90101-12M65-00	BOLT	4	
38	90201-12062-00	WASHER, PLATE	8	
39	90201-12426-00	WASHER, PLATE	4	
40	95380-12600-00	NUT	8	

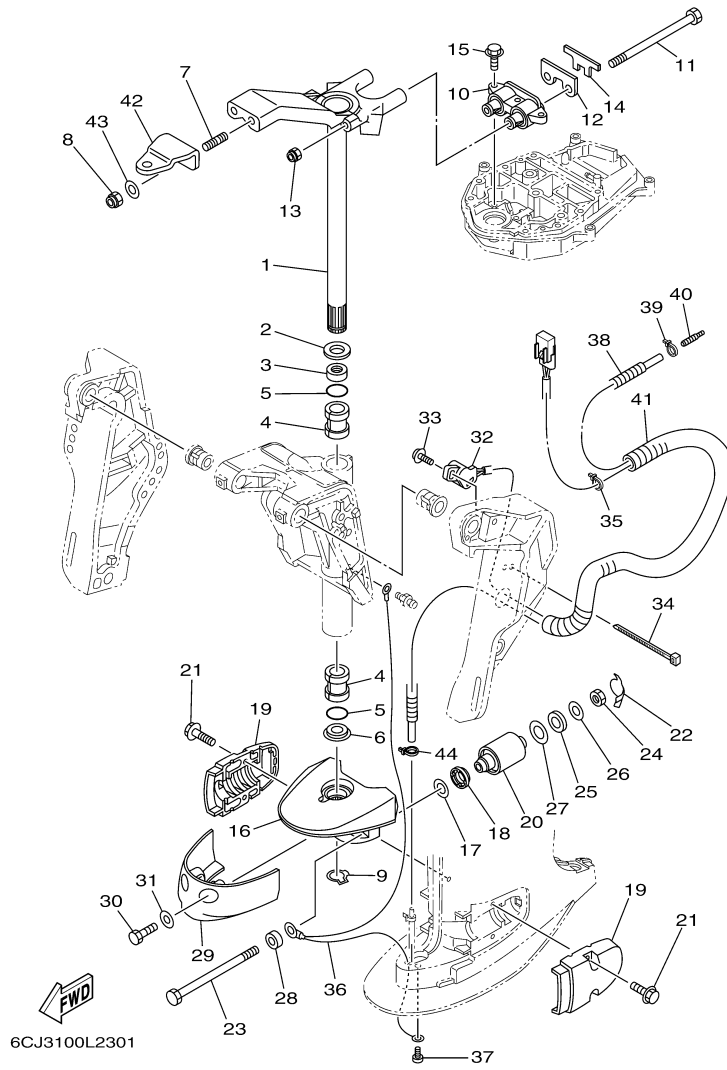
Part Notes

F70LA_0112 / BRACKET 1

PART NUMBER		NOTE TEXT
65W-45251-00-00		OEM: This part number is among the Top 100 Most Popular Marine Maintenance Parts as of March 2014.
65W-45251-00-00		OEM: This part number is among the Top 100 Most Popular Marine Maintenance Parts as of March 2014.
65W-45251-00-00		OEM: This part number is among the Top 100 Most Popular Marine Maintenance Parts as of March 2014.

©2014 Yamaha Motor Corporation, U.S.A. All rights reserved.

F70LA_0112 / BRACKET 2



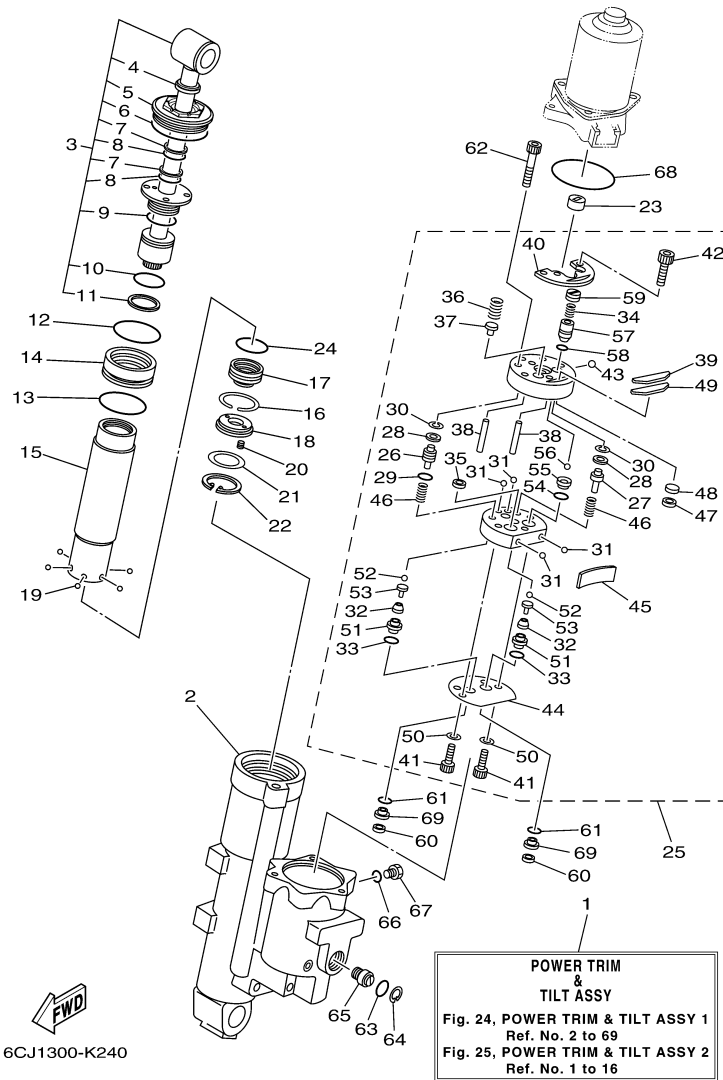
©2014 Yamaha Motor Corporation, U.S.A. All rights reserved.

Part List

F70LA_0112 / BRACKET 2

REF - NO	PART NUMBER	PART NAME	QUANTITY	REMARKS
1	69W-42510-01-8D	STEERING BRACKET ASSY	1	
2	90201-30M00-00	WASHER, PLATE	1	
3	90386-30M78-00	BUSH	1	
4	90386-30M77-00	BUSH	2	
5	93210-29M94-00	O-RING	2	
6	90386-30M60-00	BUSH	1	
7	90116-10038-00	BOLT, STUD	2	
8	90185-10051-00	NUT, SELF-LOCKING	2	
9	93410-28M06-00	CIRCLIP	1	
10	6CJ-44514-00-94	MOUNT DAMPER, UPPER SIDE	1	
11	90101-08M15-00	BOLT	2	
12	6CJ-44526-00-00	PLATE	1	
13	90185-08045-00	NUT, SELF-LOCKING	2	
14	6CJ-44533-00-00	DAMPER, UPPER MOUNT RUBBER	1	
15	97575-08530-00	BOLT, WITH WASHER	3	
16	69W-44551-00-8D	HOUSING, LOWER MOUNT RUBBER 1	1	
17	90201-12M16-00	WASHER, PLATE	2	
18	6C5-43885-00-00	GROMMET	2	
19	6C5-44552-00-8D	HOUSING, LOWER MOUNT RUBBER 2	2	
20	69W-44555-00-94	MOUNT DAMPER, LOWER SIDE	2	
21	90119-08131-00	BOLT, WITH WASHER	4	
22	6CJ-44575-00-00	DAMPER, LOWER MOUNT RUBBER	2	
23	90109-12MA3-00	BOLT	2	
24	95380-12600-00	NUT	2	
25	90202-21100-00	WASHER, PLATE	2	
26	90201-13M19-00	WASHER, PLATE	2	
27	90201-22M05-00	WASHER, PLATE	2	
28	90387-12057-00	COLLAR	2	
29	67C-44553-00-8D	COVER, LOWER MOUNT	1	
30	97095-08020-00	BOLT	2	
31	92995-08600-00	WASHER	2	
32	63D-83672-11-00	TRIM SENDER	1	
33	97985-06216-00	SCREW, WITH WASHER	2	
34	90464-76001-00	CLAMP	1	
35	90465-11M10-00	CLAMP	1	
36	67C-82127-10-00	WIRE, LEAD 2	1	
37	97885-06008-00	SCREW, PAN HEAD	1	
38	6CJ-44385-00-00	HOSE, WATER 1	1	
39	90465-11M10-00	CLAMP	1	
40	6E5-83558-00-00	END, NIPPLE	1	
41	90447-19009-00	TUBE	1	
42	65W-48511-01-00	HOOK, STEERING	1	
43	90201-10120-00	.WASHER, PLATE	2	
44	90465-11M10-00	CLAMP	1	

F70LA_0112 / POWER TRIM TILT ASSY 1



6CJ1300-K240

POWER TRIM & TILT ASSY
 Fig. 24, POWER TRIM & TILT ASSY 1
 Ref. No. 2 to 69
 Fig. 25, POWER TRIM & TILT ASSY 2
 Ref. No. 1 to 16

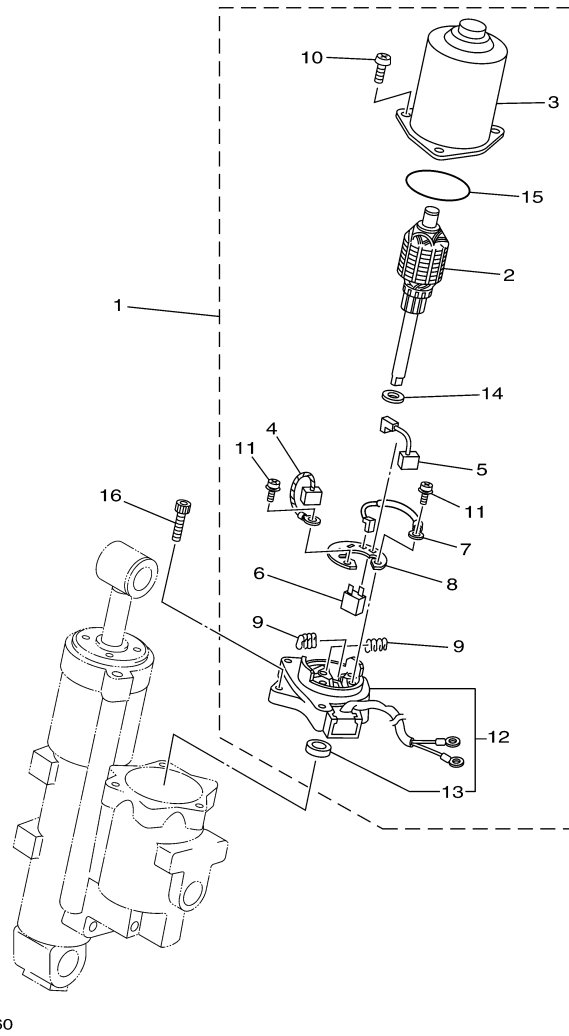
Part List

F70LA_0112 / POWER TRIM TILT ASSY 1

REF - NO	PART NUMBER	PART NAME	QUANTITY	REMARKS
1	6CJ-43800-00-8D	POWER TRIM & TILT ASSY	1	
2	6CJ-4380K-00-00	CYLINDER, TILT SUB ASSY	1	
3	6CJ-43810-00-00	TILT PISTON SUB ASSY	1	
4	62Y-43822-00-00	.SEAL, TRIM DUST	1	
5	68S-43821-00-00	.SCREW, TRIM CYLINDER END	1	
6	62X-43861-00-00	.O-RING	1	
7	62X-43872-00-00	.RING, BACK UP	2	
8	6C5-43863-00-00	.O-RING	2	
9	62X-43862-00-00	.O-RING	1	
10	93210-29375-00	.O-RING	1	
11	62X-43871-00-00	.RING, BACK UP	1	
12	93210-44383-00	O-RING	1	
13	6CJ-43861-00-00	O-RING	1	
14	6CJ-4388A-00-00	PISTON, TRIM	1	
15	6CJ-22471-00-00	CYLINDER, SHOCK ABSORBER	1	
16	67F-43875-00-00	RING, SNAP	1	
17	69W-4381B-00-00	FREE PISTON SUB ASSY	1	
18	62X-43899-00-00	PLATE STOPPER	1	
19	93503-16003-00	BALL	6	
20	62X-4384H-00-00	SPRING	2	
21	1UF-22434-00-00	PLATE, VALVE 1	1	
22	62X-43875-00-00	RING, SNAP	1	
23	6H1-43831-10-00	CONNECTOR, SHAFT	1	
24	67F-43863-00-00	O-RING	1	
25	6CJ-43830-00-00	GEAR PUMP ASSY	1	
26	6CJ-43841-00-00	.PISTON, SHUTTLE	1	
27	6CJ-4384M-00-00	.PISTON, SHUTTLE 2	1	
28	69A-4384F-00-00	.SEAL, MAIN VALVE	2	
29	6H1-43883-00-00	.O-RING	1	
30	99002-03600-00	.CLIP	2	
31	93505-32038-00	.BALL	4	
32	69J-43853-00-00	.SPRING, MAIN VALVE	2	
33	69J-4389J-00-00	.O-RING	2	
34	69J-43855-00-00	.SPRING, UP RELIEF	1	
35	6H1-4384F-10-00	.SEAL, MAIN VALVE	1	
36	69W-43856-00-00	.SPRING, DOWN RELIEF	1	
37	6H1-43844-10-00	.PIN, VALVE SUPPORT	1	
38	93604-26256-00	.PIN, DOWEL	2	
39	6CJ-43816-00-00	.FILTER 1	1	
40	69W-4382L-00-00	.CAP, RELIEF VALVE	1	
41	91318-05020-00	.BOLT	2	
42	91318-05008-00	.BOLT	2	
43	93501-08001-00	.BALL	1	
44	69W-4384G-00-00	.SEAL, RELIEF VALVE	1	
45	69W-43854-00-00	.SPRING, MANUAL RELEASE	1	
46	69J-43894-00-00	.SPRING, SHUTTLE RETURN	2	
47	62Y-4387J-00-00	.WASHER, SPECIAL 2	1	
48	62Y-22434-00-00	.PLATE, VALVE 1	1	
49	62Y-43871-00-00	.RING, BACK UP	1	
50	62Y-4387G-00-00	.WASHER	2	
51	6CJ-43893-00-00	.WASHER	2	
52	93505-32038-00	.BALL	2	

53	65W-4386A-00-00	.PIN, ABSORBER VALVE	2	
54	93210-08391-00	.O-RING	1	
55	69J-43851-00-00	.SEAT, RELIEF VALVE	1	
56	93501-08001-00	.BALL	1	
57	6CJ-43844-00-00	.PIN, VALVE SUPPORT	1	
58	93210-064A5-00	.O-RING	1	
59	6CJ-43843-00-00	.SCREW, VALVE LOCK	1	
60	6H1-43816-00-00	FILTER 1	2	
61	69J-4389J-00-00	.O-RING	2	
62	91318-06040-00	BOLT	3	
63	6D8-43863-00-00	.O-RING	1	
64	6H1-43875-00-00	.RING, SNAP	1	
65	62Y-43845-00-00	SCREW, MANUAL RELEASE	1	
66	93210-09165-00	O-RING	1	
67	6H1-43829-00-00	.PLUG, RESERVOIR	1	
68	62X-43865-00-00	O-RING	1	
69	6CJ-43899-00-00	PLATE STOPPER	2	

F70LA_0112 / POWER TRIM TILT ASSY 2



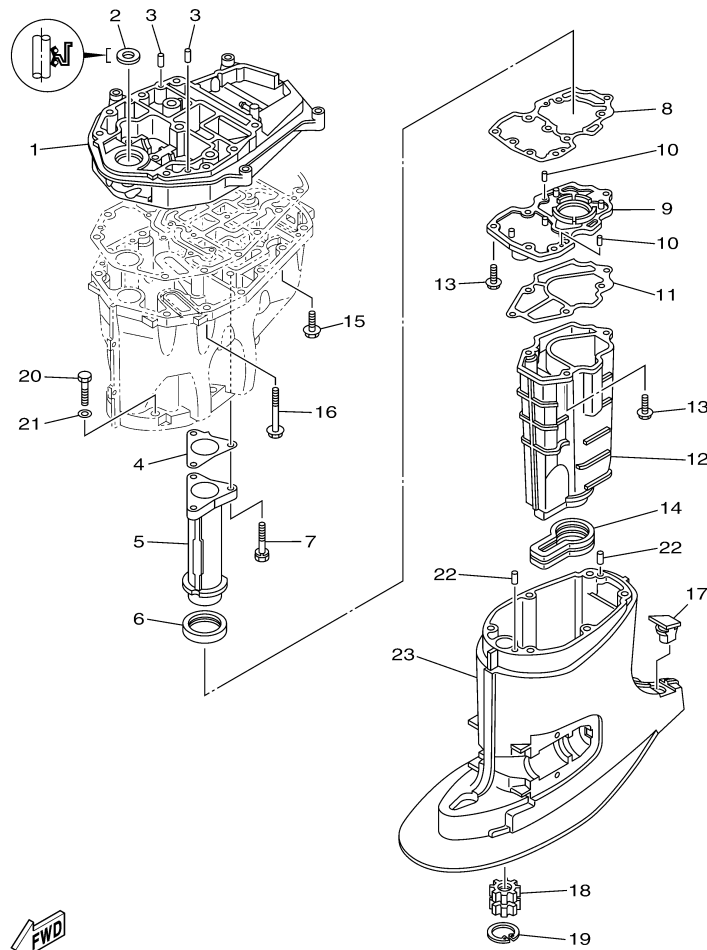
©2014 Yamaha Motor Corporation, U.S.A. All rights reserved.

Part List

F70LA_0112 / POWER TRIM TILT ASSY 2

REF - NO	PART NUMBER	PART NAME	QUANTITY	REMARKS
1	69W-43880-01-00	MOTOR ASSY	1	
2	69W-43805-01-00	.ARMATURE ASSY	1	
3	62X-43804-01-00	.STATOR ASSY	1	
4	62Y-43892-00-00	.BRUSH 2	1	
5	62Y-43891-00-00	.BRUSH 1	1	
6	69W-82181-00-00	.CIRCUIT BREAKER COMP	1	
7	62X-43807-00-00	.WIRE SUB ASSY	1	
8	69W-4380F-00-00	.PLATE, BRUSH HOLDER	1	
9	62X-4386K-00-00	.SPRING, BRUSH	2	
10	97880-05020-00	.SCREW, PAN HEAD	3	
11	97602-04216-00	.SCREW, PAN HEAD WITH WASHER	2	
12	69W-43881-00-00	.FRAME, END	1	
13	93102-08414-00	..OIL SEAL	1	
14	90201-083J8-00	.WASHER, PLATE	1	
15	93210-52449-00	.O-RING	1	
16	62X-43888-00-00	BOLT, SOCKET	3	

F70LA_0112 / UPPER CASING



6CJ2110-L260

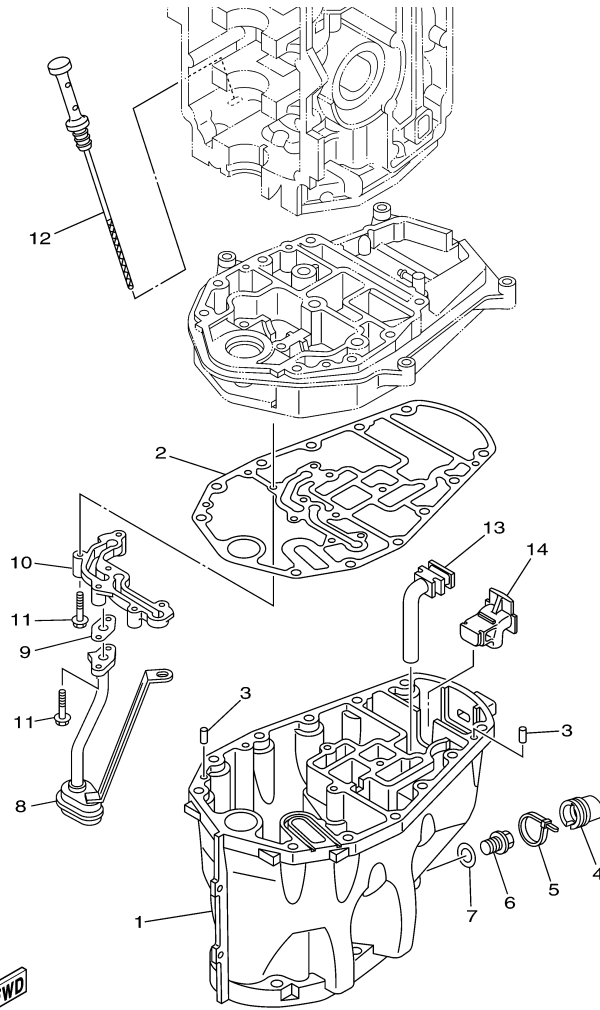
©2014 Yamaha Motor Corporation, U.S.A. All rights reserved.

Part List

F70LA_0112 / UPPER CASING

REF - NO	PART NUMBER	PART NAME	QUANTITY	REMARKS
1	6C5-41137-02-CA	GUIDE, EXHAUST	1	
2	93103-18011-00	.OIL SEAL	1	
3	93608-12M05-00	PIN, DOWEL	2	
4	6C5-41133-00-00	.GASKET, EXHAUST MANIFOLD 1	1	
5	6C5-41131-00-CA	MANIFOLD, EXT. 1	1	
6	6C5-46132-00-00	.GASKET 1	1	
7	90119-06261-00	BOLT, WITH WASHER	3	
8	6C5-41134-00-00	.GASKET, EXHAUST MANIFOLD	1	
9	6CJ-45181-00-CA	PLATE	1	
10	93604-10M03-00	PIN, DOWEL	2	
11	6C5-41135-00-00	.GASKET, EXHAUST MANIFOLD	1	
12	6CJ-14711-00-9S	MUFFLER 1	1	
13	97575-06525-00	BOLT, WITH WASHER	6	
14	6C5-45123-00-00	.GASKET, MUFFLER	1	
15	90119-08102-00	BOLT, WITH WASHER	4	
16	90119-08132-00	BOLT, WITH WASHER	8	
17	6C5-45155-00-00	CAP	1	
18	69W-45318-00-00	BUSHING, DRIVE SHAFT	1	
19	93420-36M01-00	CIRCLIP	1	
20	97075-10045-00	BOLT	6	
21	92995-10600-00	WASHER	6	
22	93606-12019-00	.PIN, DOWEL	2	
23	6C5-45111-00-8D	CASING, UPPER	1	

F70LA_0112 / OIL PAN



6CJ1100-K280

©2014 Yamaha Motor Corporation, U.S.A. All rights reserved.


Part List

F70LA_0112 / OIL PAN

REF - NO	PART NUMBER	PART NAME	QUANTITY	REMARKS
1	6C5-15311-01-CA	OIL PAN	1	
2	6C5-15312-01-00	.GASKET, OIL PAN	1	
3	93606-12019-00	.PIN, DOWEL	2	
4	6CJ-15316-00-00	DAMPER 1	1	
5	90465-11M59-00	CLAMP	1	
6	90340-14M06-00	PLUG, STRAIGHT SCREW	1	
7	90430-14M09-00	.GASKET	1	
8	6CJ-13411-00-00	STRAINER, OIL	1	
9	6C5-13414-01-00	.GASKET, STRAINER COVER	1	
10	6CJ-15333-00-00	COVER	1	
11	95812-06035-00	BOLT, FLANGE	6	
12	6C5-15362-00-00	PLUG, OIL LEVEL	1	
13	6C5-45135-01-00	PIPE	1	
14	6C5-45136-01-00	PIPE	1	

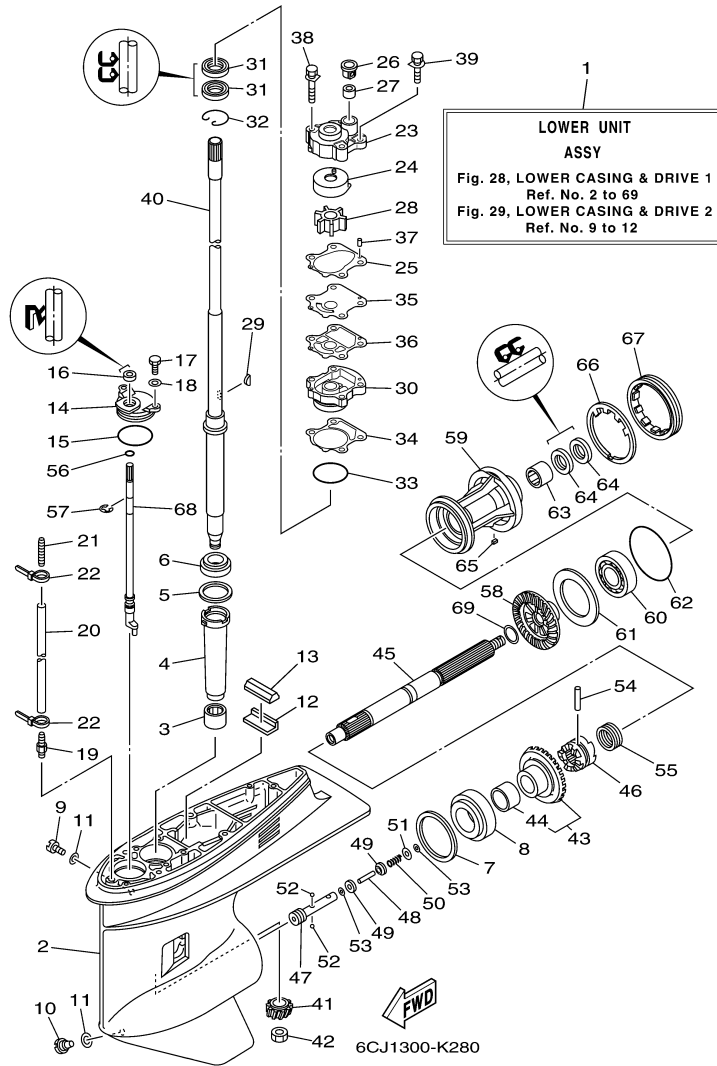
Part Notes

F70LA_0112 / OIL PAN

PART NUMBER	NOTE TEXT
90430-14M09-00 	OEM: This part number is among the Top 100 Most Popular Marine Maintenance Parts as of March 2014.

©2014 Yamaha Motor Corporation, U.S.A. All rights reserved.

F70LA_0112 / LOWER CASING DRIVE 1



©2014 Yamaha Motor Corporation, U.S.A. All rights reserved.

Part List





F70LA_0112 / LOWER CASING DRIVE 1

REF - NO	PART NUMBER	PART NAME	QUANTITY	REMARKS
1	6CJ-45300-30-8D	LOWER UNIT ASSY	1	L(21.0")
2	67F-45301-00-8D	CASING, LOWER	1	
3	93315-52563-00	BEARING	1	
4	688-45536-01-00	SLEEVE, DRIVE SHAFT	1	
5	688-45587-40-00	SHIM (T:0.30MM)	1	UR
5	688-45587-30-00	SHIM (T:0.18MM)	1	UR
5	688-45587-20-00	SHIM (T:0.15MM)	1	UR
5	688-45587-10-00	SHIM (T:0.12MM)	1	UR
5	688-45587-01-00	SHIM (T:0.10MM)	1	UR
5	688-45587-50-00	SHIM (T:0.40MM)	1	UR
5	688-45587-60-00	SHIM (T:0.50MM)	1	UR
6	93332-000U3-00	BEARING	1	
7	688-45567-10-00	SHIM (T:0.12MM)	1	UR
7	688-45567-20-00	SHIM (T:0.15MM)	1	UR
7	688-45567-01-00	SHIM (T:0.10MM)	1	UR
7	688-45567-30-00	SHIM (T:0.18MM)	1	UR
7	688-45567-40-00	SHIM (T:0.30MM)	1	UR
7	688-45567-50-00	SHIM (T:0.40MM)	1	UR
7	688-45567-60-00	SHIM (T:0.50MM)	1	UR
8	93332-00095-00	BEARING	1	
9	90340-08002-00	PLUG, STRAIGHT SCREW	1	
10	688-45341-10-00	PLUG, DRAIN	1	
11	90430-08020-00	.GASKET	2	
12	663-45376-00-00	GUIDE, SEAL DAMPER	1	
13	688-45375-00-00	DAMPER, SEAL	1	
14	688-45321-00-00	PLATE	1	
15	93210-49046-00	.O-RING	1	
16	93106-09014-00	.OIL SEAL	1	
17	97095-06016-00	BOLT	2	
18	92995-06600-00	WASHER	2	
19	6E5-45378-00-00	NIPPLE, HOSE	1	
20	90445-07ME8-00	HOSE (L80)	1	L(21.0")
21	6E5-83558-10-00	END, NIPPLE	1	
22	90465-11M10-00	CLAMP	2	
23	6CJ-44311-00-00	HOUSING, WATER PUMP	1	
24	63D-44322-00-00	.INSERT, CARTRIDGE	1	
25	6CJ-44315-00-00	.GASKET, WATER PUMP	1	
26	63D-44312-00-00	.COVER, WATER PUMP HOUSING	1	
27	663-44366-00-00	.DAMPER, WATER SEAL 2	1	
28	6H3-44352-00-00	.IMPELLER	1	
29	90280-03M03-00	.KEY, WOODRUFF	1	
30	6CJ-44341-00-CA	HOUSING, WATER PUMP	1	
31	93101-23070-00	.OIL SEAL	2	
32	93450-40165-00	CIRCLIP	1	
33	93210-46044-00	O-RING	1	
34	6CJ-44316-00-00	.GASKET, WATER PUMP	1	
35	6CJ-44323-00-00	.OUTER PLATE, CARTRIDGE	1	
36	6CJ-44324-00-00	.GASKET, CARTRIDGE	1	
37	93604-10M03-00	PIN, DOWEL	2	
38	90119-08M33-00	.BOLT, WITH WASHER	2	
39	90119-08M14-00	.BOLT, WITH WASHER	2	
40	64J-45501-30-00	DRIVE SHAFT COMP.	1	L(21.0")
41	6CJ-45551-00-00	PINION (12T)	1	

42	90170-16M01-00	NUT	1	
43	6CJ-45560-00-00	GEAR 1 (28T)	1	
44	93317-322V0-00	.BEARING	1	
45	67F-45611-01-00	SHAFT, PROPELLER	1	
46	6D8-45631-00-00	CLUTCH, DOG	1	
47	67F-45634-00-00	SLIDE, SHIFT	1	
48	6H1-45668-00-00	SHAFT, FREE 1	1	
49	6H1-45635-00-00	PLUNGER, SHIFT	2	
50	90501-12M48-00	SPRING, COMPRESSION	1	
51	90201-03313-00	WASHER, PLATE	1	
52	93503-16003-00	BALL	2	
53	90183-02M03-00	NUT, SPRING	2	
54	90250-07M02-00	PIN, STRAIGHT	1	
55	688-45633-00-00	RING, CROSS PIN	1	
56	93210-07003-00	.O-RING	1	
57	99001-08600-00	CIRCLIP	1	
58	68S-45571-00-00	GEAR 2 (28T)	1	
59	67F-45331-00-CA	HOUSING, BEARING	1	
60	93306-207U0-00	.BEARING	1	
61	67F-45576-00-00	WASHER, THRUST 2	1	
62	93210-86M39-00	.O-RING	1	
63	93317-325U0-00	BEARING	1	
64	93101-25M03-00	.OIL SEAL	2	
65	90282-04010-00	KEY, STRAIGHT	1	
66	688-45383-02-00	WASHER, CLAW	1	
67	688-45384-02-00	NUT	1	
68	64J-44150-01-00	SHIFT CAM ASSY	1	
69	90201-25M05-00	WASHER, PLATE	1	

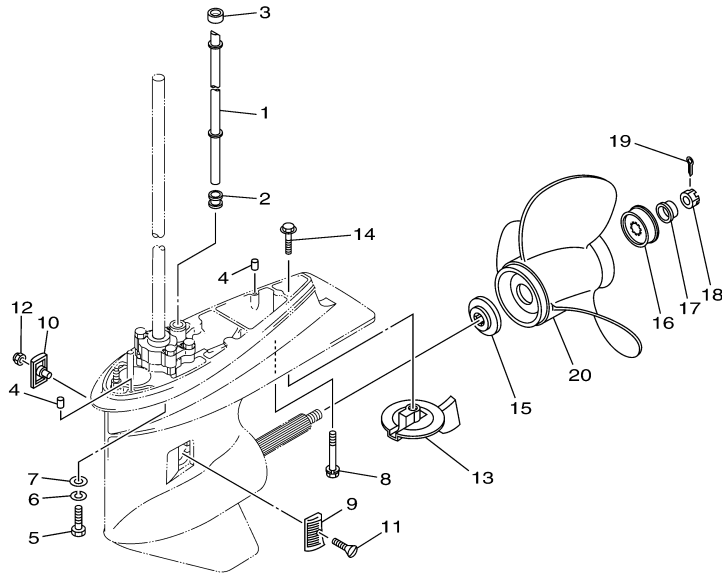
Part Notes

F70LA_0112 / LOWER CASING DRIVE 1

PART NUMBER		NOTE TEXT
90430-08020-00		OEM: This part number is among the Top 100 Most Popular Marine Maintenance Parts as of March 2014.
93106-09014-00		OEM: This part number is among the Top 100 Most Popular Marine Maintenance Parts as of March 2014.
6H3-44352-00-00		OEM: This part number is among the Top 100 Most Popular Marine Maintenance Parts as of March 2014.
93101-25M03-00		OEM: This part number is among the Top 100 Most Popular Marine Maintenance Parts as of March 2014.

©2014 Yamaha Motor Corporation, U.S.A. All rights reserved.

F70LA_0112 / LOWER CASING DRIVE 2



6CJ1100-K300

©2014 Yamaha Motor Corporation, U.S.A. All rights reserved.


Part List

F70LA_0112 / LOWER CASING DRIVE 2

REF - NO	PART NUMBER	PART NAME	QUANTITY	REMARKS
1	6CJ-44361-00-00	TUBE, WATER 1	1	L(21.0")
2	663-44367-00-00	DAMPER, WATER SEAL 3	1	
3	663-44366-00-00	.DAMPER, WATER SEAL 2	1	
4	93606-12019-00	.PIN, DOWEL	2	
5	97075-10040-00	BOLT	4	L(21.0")
6	92995-10100-00	WASHER	4	L(21.0")
7	92995-10600-00	WASHER	4	L(21.0")
8	90119-08M84-00	BOLT, WITH WASHER	1	L(21.0")
9	6H1-45214-00-00	COVER, WATER INLET 1	1	
10	6H1-45215-00-00	COVER, WATER INLET 2	1	
11	90151-05M00-00	SCREW, COUNTERSUNK	1	
12	90185-05002-00	NUT, NYLON	1	
13	67F-45371-00-00	TAB-TRIM	1	
14	90105-10M67-00	BOLT, FLANGE	1	
15	688-45987-01-00	SPACER 1	1	
16	67F-45997-00-00	SPACER 2	1	
17	90389-25M00-00	BUSH	1	
18	90171-16011-00	NUT, CASTLE	1	
19	91490-40025-00	PIN. COTTER	1	
20	6E5-45956-00-00	PROPELLER (3X13"X25"-K)	1	UR
20	6E5-45958-00-00	PROPELLER (3X13-5/8"X14"-K)	1	UR
20	688-45970-03-00	PROPELLER (3X13"X19"-K)	1	UR
20	688-45972-02-00	PROPELLER (3X13"X21"-K)	1	UR
20	688-45974-02-00	PROPELLER (3X13"X23"-K)	1	UR
20	688-45976-01-00	PROPELLER (3X13"X25"-K)	1	UR
20	688-45978-60-00	PROPELLER (3X13-1/2"X16"-K)	1	UR
20	688-45930-02-00	PROPELLER (3X13"X17"-K2)	1	UR
20	688-45932-60-00	PROPELLER (3X13-1/2"X14"-K)	1	UR
20	68V-45941-00-00	PROPELLER (3X13-1/2"X17"-K)	1	UR
20	68V-45943-00-00	PROPELLER (3X13-1/2"X19"-K)	1	UR
20	6E5-45945-01-00	PROPELLER (3X13-1/4"X17"-K)	1	UR
20	6E5-45943-00-00	PROPELLER (3X12-5/8"X21"-K)	1	UR
20	6E5-45941-00-00	PROPELLER (3X13"X19"-K)	1	UR
20	6E5-45954-00-00	PROPELLER (3X14"X11"-K)	1	UR
20	6E5-45947-00-00	PROPELLER (3X13-1/2"X15"-K)	1	UR
20	6E5-45949-00-00	PROPELLER (3X13-5/8"X13"-K)	1	UR
20	6E5-45952-00-00	PROPELLER (3X13"X23"-K)	1	UR

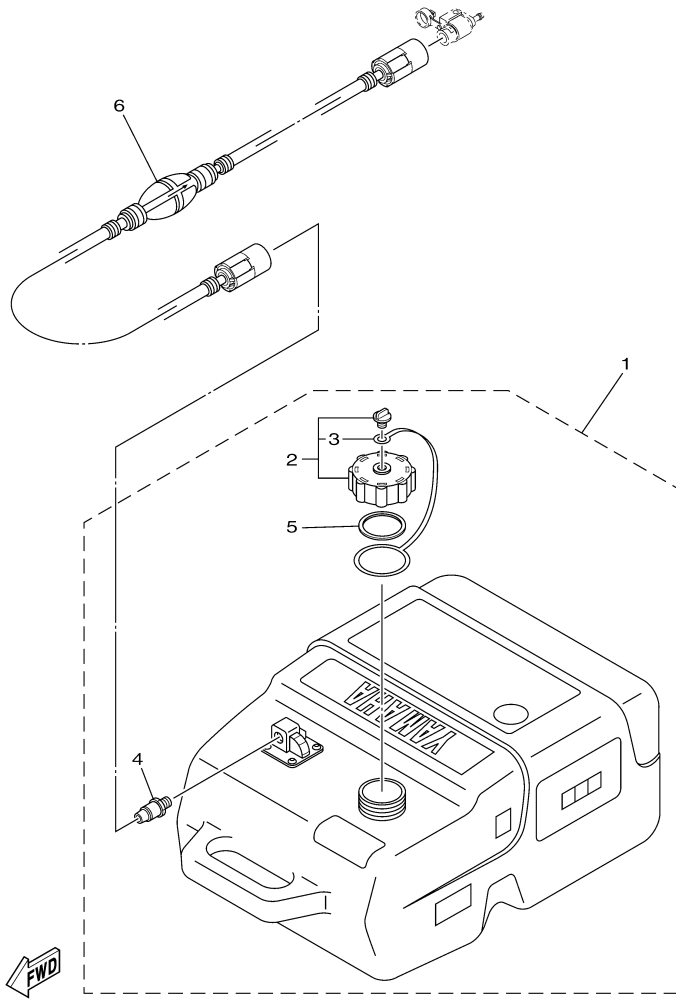
Part Notes

F70LA_0112 / LOWER CASING DRIVE 2

PART NUMBER	NOTE TEXT
67F-45371-00-00 	OEM: This part number is among the Top 100 Most Popular Marine Maintenance Parts as of March 2014.

©2014 Yamaha Motor Corporation, U.S.A. All rights reserved.

F70LA_0112 / FUEL TANK



6BL5110-L270

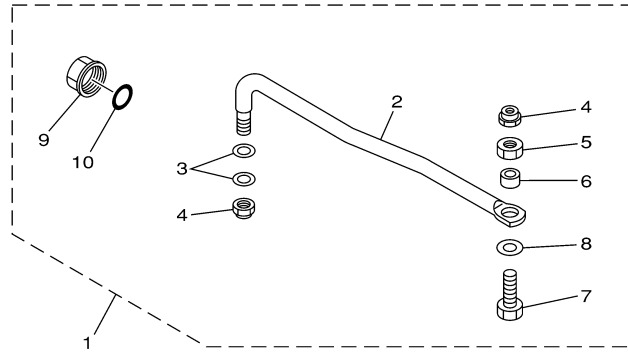
©2014 Yamaha Motor Corporation, U.S.A. All rights reserved.

Part List

F70LA_0112 / FUEL TANK

REF - NO	PART NUMBER	PART NAME	QUANTITY	REMARKS
1	6YK-24201-41-00	FUEL TANK ASSY (25L)	1	AP
2	6YL-24610-10-00	.CAP ASSY	1	
3	6YL-24641-10-00	..GASKET, CAP 1	1	
4	6YL-24377-00-00	.PIPE, JOINT 2	1	
5	6YL-24629-00-00	.RING	1	
6	6YK-24306-72-00	FUEL PIPE COMP. 1	1	AP

F70LA_0112 / STEERING GUIDE



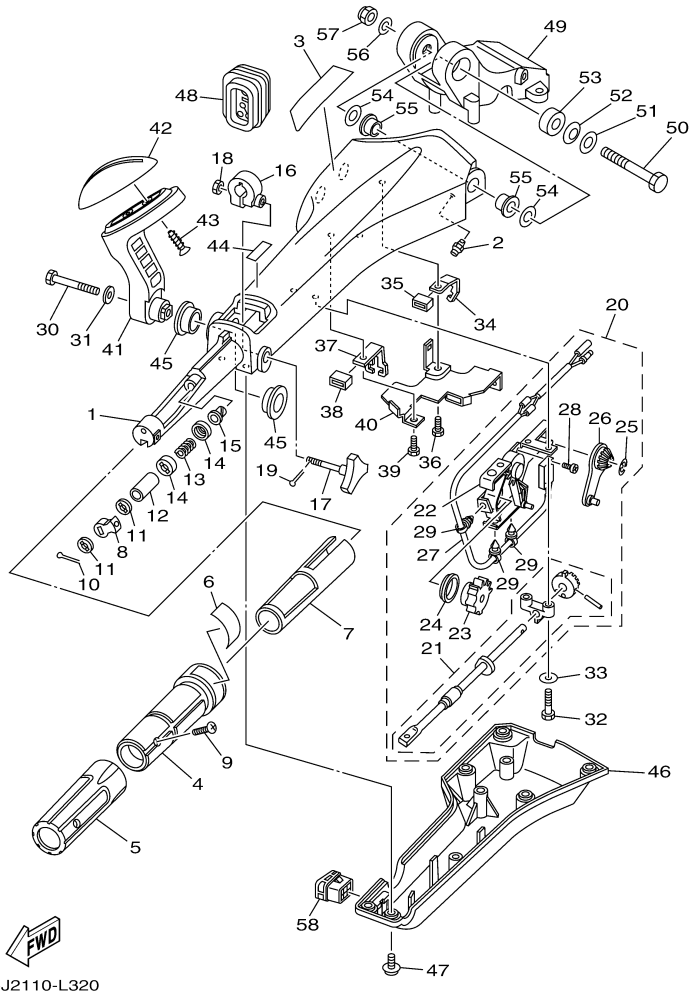
65W0010-8210

Part List

F70LA_0112 / STEERING GUIDE

REF - NO	PART NUMBER	PART NAME	QUANTITY	REMARKS
1	65W-61350-00-00	STEERING GUIDE ATTACHMENT KIT	1	AP
2	65W-61351-00-00	.ROD, STEERING LINK	1	
3	90201-10M20-00	.WASHER, PLATE	2	
4	90185-09M01-00	.NUT, SELF-LOCKING	2	
5	90170-09M03-00	.NUT	1	
6	90387-10M42-00	.COLLAR	1	
7	90101-09M01-00	.BOLT	1	
8	90201-10M63-00	.WASHER, PLATE	1	
9	6E5-43145-01-00	.CAP, CLAMP BRACKET	1	
10	93210-16275-00	.O-RING	1	

F70LA_0112 / OPTIONAL PARTS 1



©2014 Yamaha Motor Corporation, U.S.A. All rights reserved.

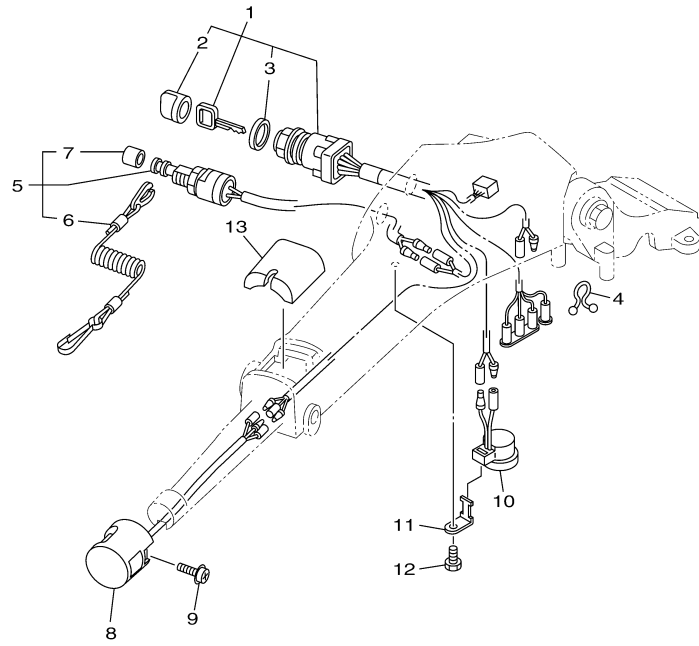
Part List

F70LA_0112 / OPTIONAL PARTS 1

REF - NO	PART NUMBER	PART NAME	QUANTITY	REMARKS
1	6X4-42111-02-8D	HANDLE, STEERING	1	
2	93700-06M03-00	NIPPLE, GREASE	1	
3	6X4-48215-00-00	GRAPHIC	1	
4	6X4-42119-01-00	GRIP, STEERING HANDLE	1	
5	6X4-42177-00-00	RUBBER, HANDLE	1	
6	6X4-42137-00-00	INDICATOR, THROTTLE	1	
7	6X4-41291-00-00	BUSHING	1	
8	6X4-44139-01-00	COLLAR	1	
9	90152-05007-00	SCREW, COUNTERSUNK	1	
10	91490-20010-00	PIN. COTTER	1	
11	6X4-44177-00-00	WASHER	2	
12	6X4-42128-00-00	COLLAR, DISTANCE 1	1	
13	90501-23215-00	SPRING, COMPRESSION	1	
14	6X4-44188-00-00	WASHER	2	
15	90386-08032-00	BUSH	1	
16	63D-42126-00-00	FRICITION, STEERING HANDLE GRIP	1	
17	6X4-48154-00-00	KNOB, THROTTLE	1	
18	95380-06600-00	NUT, HEXAGON	1	
19	91490-20010-00	PIN. COTTER	1	
20	6X4-44100-01-00	SHIFT LINK ASSY	1	
21	6X4-42115-00-00	.SHAFT, STEERING HANDLE	1	
22	6X4-44102-00-00	.SHIFT ASSIST ASSY	1	
23	6X4-47731-01-00	.GEAR, DRIVE	1	
24	6X4-44132-00-00	.BUSHING	1	
25	6X4-14137-00-00	.CLIP	1	
26	6X4-48261-00-00	.ARM, THROTTLE	1	
27	6X4-82540-00-00	.NEUTRAL SWITCH ASSY	1	
28	6A5-48129-10-00	.SCREW 3	2	
29	6X4-42821-00-00	.BAND, CLAMP	3	
30	97095-08040-00	BOLT	1	
31	92995-08600-00	WASHER	1	
32	97095-06030-00	BOLT	2	
33	92995-06600-00	WASHER	2	
34	6X4-48538-00-00	CLAMP, CABLE 1	1	
35	6X4-26367-00-00	PROTECTOR	1	
36	97095-06014-00	BOLT	1	
37	6X4-48538-10-00	CLAMP, CABLE 1	1	
38	6X4-26367-00-00	PROTECTOR	1	
39	97095-06014-00	BOLT	1	
40	6X4-42159-00-00	STAY	1	
41	6X4-44159-00-8D	HANDLE, GEAR SHIFT	1	
42	6X4-44173-00-00	LEVER, SHIFT CONTROL	1	
43	97780-60920-00	SCREW, TAPPING	2	
44	6G8-44191-00-00	INDICATOR, SHIFT	1	
45	90386-26MA3-00	BUSH	2	
46	6X4-42131-01-00	COVER, HANDLE STEERING	1	
47	97985-06216-00	SCREW, WITH WASHER	6	
48	6X4-42725-01-00	GROMMET	1	
49	63D-42121-22-8D	BRACKET	1	
50	90101-12014-00	BOLT	1	
51	92990-12200-00	WASHER, PLAIN	1	
52	90206-12M22-00	WASHER, WAVE	1	
53	90387-12M02-00	COLLAR	1	

54	90201-12035-00	WASHER, PLATE	2	
55	90386-12003-00	BUSH	2	
56	92990-12600-00	WASHER, PLATE	1	
57	90185-12M12-00	NUT, SELF-LOCKING	1	
58	6X4-42728-10-00	CAP	1	

F70LA_0112 / OPTIONAL PARTS 2



6CJ2110-L330

©2014 Yamaha Motor Corporation, U.S.A. All rights reserved.


Part List

F70LA_0112 / OPTIONAL PARTS 2

REF - NO	PART NUMBER	PART NAME	QUANTITY	REMARKS
1	6X4-82510-01-00	MAIN SWITCH ASSY	1	
2	676-82577-00-00	.CAP, KEY	1	
3	703-82532-00-00	.CAP	1	
4	90464-08M07-00	CLAMP	1	
5	69W-82575-00-00	ENGINE STOP SWITCH ASSY	1	
6	682-82556-00-00	.LANYARD, STOP SWITCH	1	
7	689-8257Y-00-00	.CAP	1	
8	6X4-82563-00-00	TRIM & TILT SWITCH ASSY	1	
9	97980-06216-00	SCREW, WITH WASHER	1	
10	6X4-83383-00-00	BUZZER	1	
11	6X4-83386-00-00	STAY, BUZZER	1	
12	97095-06014-00	BOLT	1	
13	6X4-81942-01-00	COVER	1	

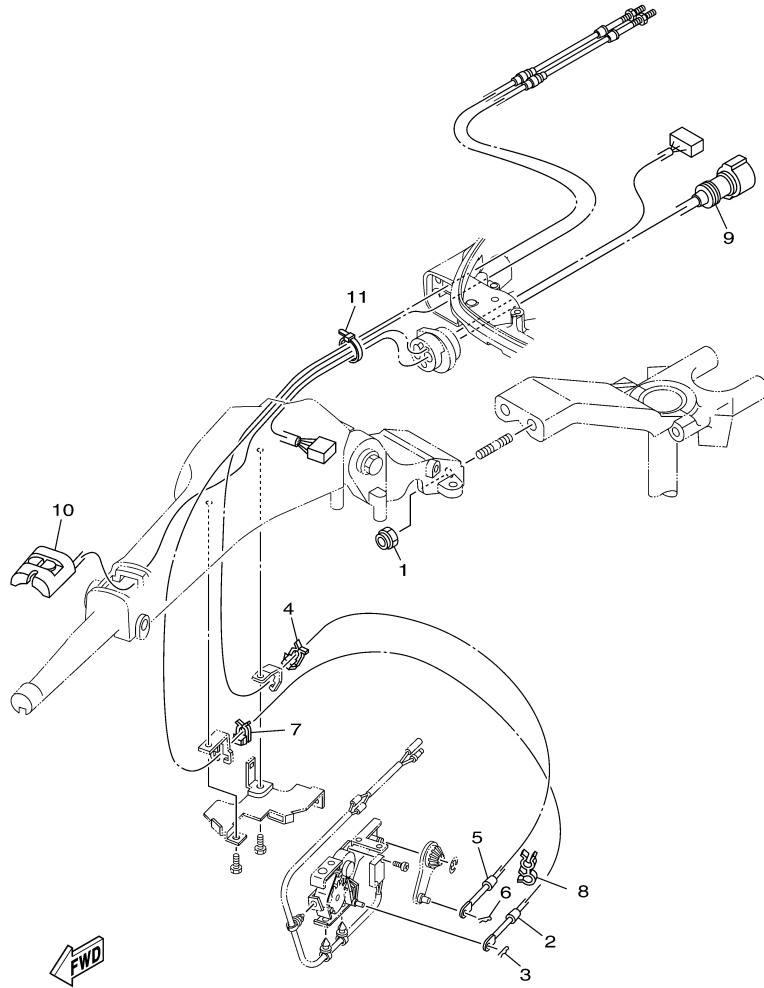
Part Notes

F70LA_0112 / OPTIONAL PARTS 2

PART NUMBER	NOTE TEXT
682-82556-00-00 	OEM: This part number is among the Top 100 Most Popular Marine Maintenance Parts as of March 2014.

©2014 Yamaha Motor Corporation, U.S.A. All rights reserved.

F70LA_0112 / OPTIONAL PARTS 3



6CJ1100-K350

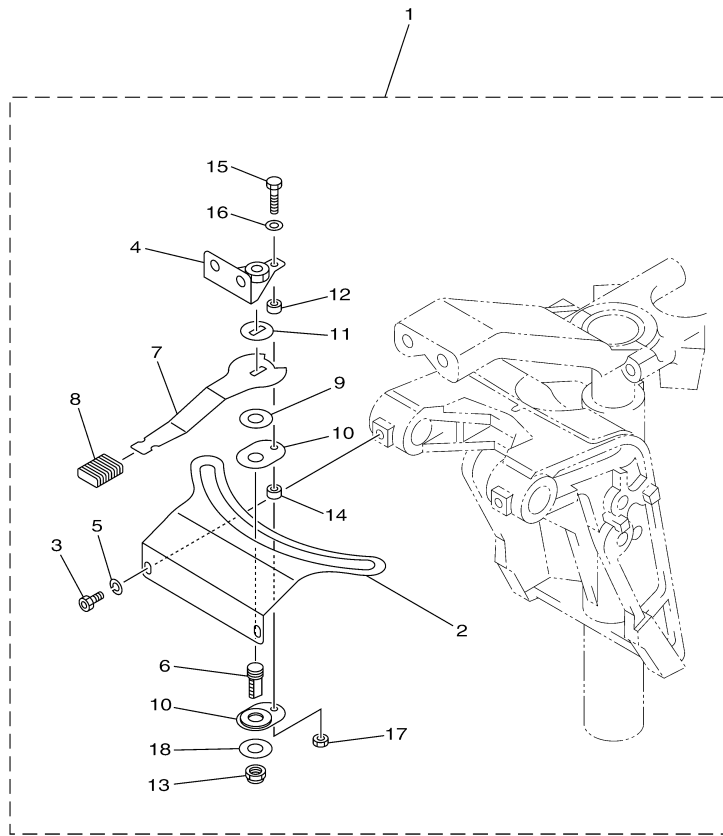
©2014 Yamaha Motor Corporation, U.S.A. All rights reserved.

Part List

F70LA_0112 / OPTIONAL PARTS 3

REF - NO	PART NUMBER	PART NAME	QUANTITY	REMARKS
1	90185-10051-00	NUT, SELF-LOCKING	2	
2	67C-48321-11-00	CABLE	1	
3	90468-10005-00	CLIP	1	
4	63D-48538-00-00	CLAMP, CABLE 1	1	
5	69W-26301-00-00	THROTTLE CABLE ASSY	1	
6	90468-10005-00	CLIP	1	
7	63D-48538-00-00	CLAMP, CABLE 1	1	
8	90464-09M42-00	CLAMP	1	
9	6X4-82586-10-00	EXT., WIRE HARNESS (L:950MM)	1	
10	6X4-81860-00-00	SWITCH ASSY	1	
11	90465-13M36-00	CLAMP	1	

F70LA_0112 / OPTIONAL PARTS 4



6C68200-L220

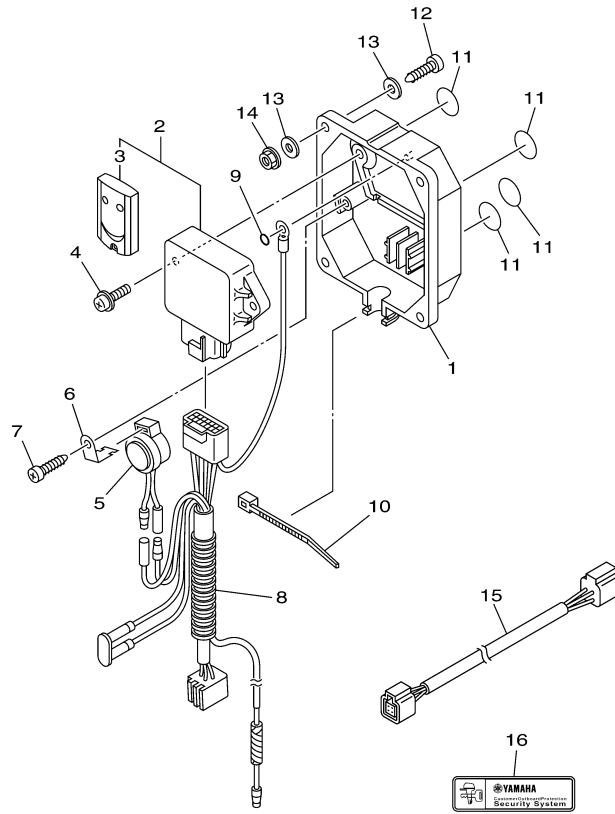
©2014 Yamaha Motor Corporation, U.S.A. All rights reserved.

Part List

F70LA_0112 / OPTIONAL PARTS 4

REF - NO	PART NUMBER	PART NAME	QUANTITY	REMARKS
1	6C5-42508-01-00	STEERING FRICTION ASSY	1	
2	6C5-42527-00-00	.PLATE, FRICTION	1	
3	90109-06M88-00	.BOLT	2	
4	67C-42525-00-00	.PLATE, FRICTION	1	
5	92990-06100-00	.WASHER, SPRING	2	
6	67C-42562-00-00	.SHAFT, STEERING LOCK	1	
7	67C-42561-00-00	.KNOB, STEERING LOCK	1	
8	689-43633-00-00	.COVER, TILT LEVER	1	
9	90202-10M56-00	.WASHER, PLATE	1	
10	65W-42528-00-00	.PLATE, FRICTION	2	
11	90209-10M26-00	.WASHER	1	
12	90387-05053-00	.COLLAR	1	
13	90185-10M14-00	.NUT, SELF-LOCKING	1	
14	90387-05054-00	.COLLAR	1	
15	97095-05020-00	.BOLT	1	
16	92995-05600-00	.WASHER	1	
17	95380-05600-00	.NUT	1	
18	90201-106M5-00	.WASHER, PLATE	1	

F70LA_0112 / OPTIONAL PARTS 5



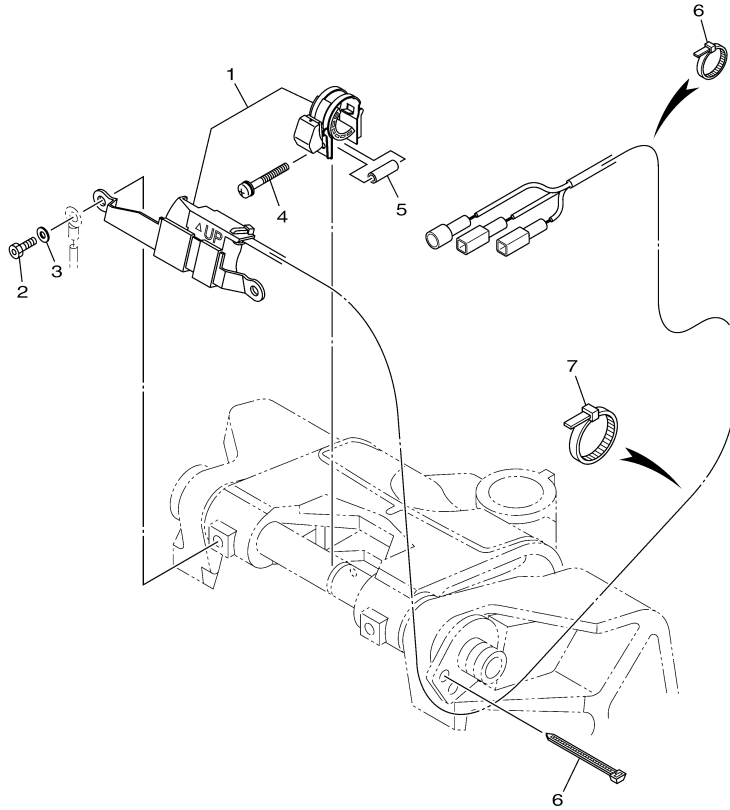
6CJ1100-K370

Part List

F70LA_0112 / OPTIONAL PARTS 5

REF - NO	PART NUMBER	PART NAME	QUANTITY	REMARKS
1	6Y8-86267-00-00	CASE COMPLETE 1	1	
2	6Y8-86260-12-00	REMOTE CONTROL UNIT ASSY	1	
3	6AA-86261-22-00	.TRANSMITTER COMP	2	
4	97980-06216-00	SCREW, WITH WASHER	2	
5	6X4-83383-00-00	BUZZER	1	
6	6X4-83386-00-00	STAY, BUZZER	1	
7	97780-60620-00	SCREW, TAPPING	1	
8	6Y8-82509-10-00	WIRE, SUB LEAD	1	
9	93210-04279-00	O-RING	1	
10	90465-11M10-00	CLAMP	1	
11	6Y8-8454G-00-00	PATCH 1	4	
12	97880-06035-00	SCREW, PAN HEAD	4	UR
12	90167-06M00-00	SCREW, TAPPING	4	UR
13	90201-06M30-00	WASHER, PLATE	8	
14	95780-06300-00	NUT, FLANGE	4	
15	6Y8-82521-11-00	2FT PIGTAIL BUS	1	
16	6Y8-48277-00-00	STICKER 1	4	

F70LA_0112 / OPTIONAL PARTS 6



6CJ3100-L370

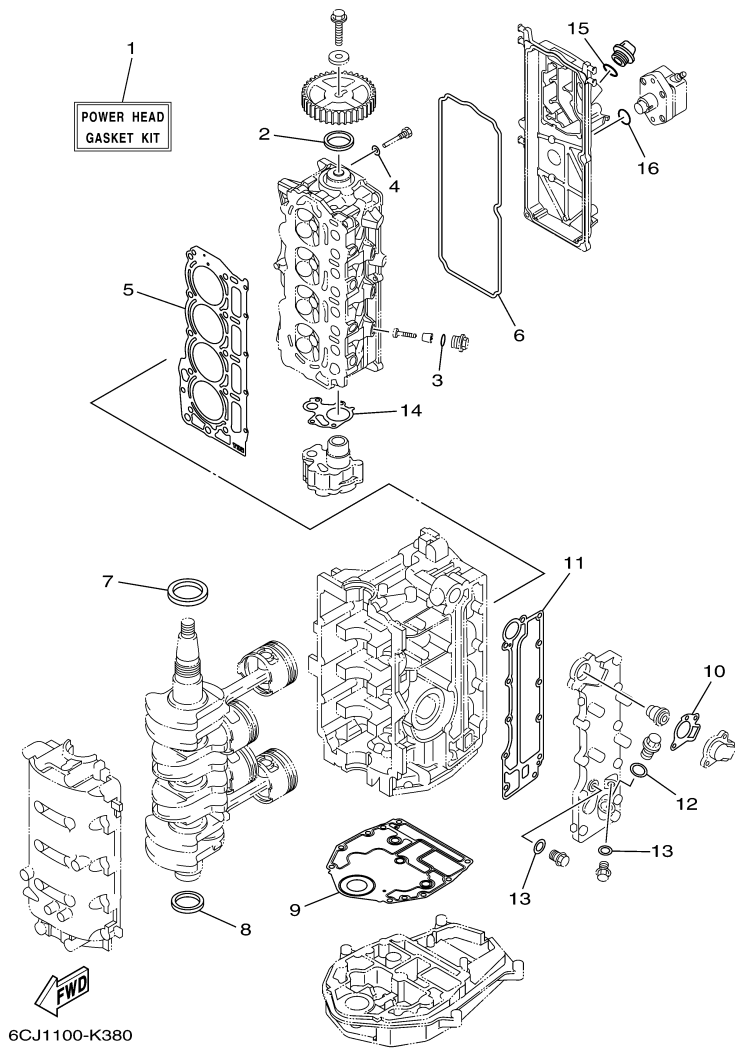
©2014 Yamaha Motor Corporation, U.S.A. All rights reserved.

Part List

F70LA_0112 / OPTIONAL PARTS 6

REF - NO	PART NUMBER	PART NAME	QUANTITY	REMARKS
1	6C5-825E0-00-00	TILT LIMIT SWITCH ASSY	1	
2	90109-06M88-00	.BOLT	2	
3	92990-06100-00	..WASHER, SPRING	2	
4	90159-05059-00	SCREW, WITH WASHER	1	
5	90387-05004-00	COLLAR	1	
6	90465-11M10-00	CLAMP	5	
7	90465-13M18-00	CLAMP	3	

F70LA_0112 / REPAIR KIT 1



6CJ1100-K380

©2014 Yamaha Motor Corporation, U.S.A. All rights reserved.


Part List

F70LA_0112 / REPAIR KIT 1

REF - NO	PART NUMBER	PART NAME	QUANTITY	REMARKS
1	6CJ-W0001-00-00	POWER HEAD GASKET KIT	1	
2	93102-37M40-00	.OIL SEAL	1	
3	93210-13M63-00	.O-RING	3	
4	90430-06014-00	.GASKET	1	
5	6CJ-11181-00-00	.GASKET, CYLINDER HEAD 1	1	
6	6CJ-11356-00-00	.SEAL, CYLINDER 2	1	
7	93102-43004-00	.OIL SEAL	1	
8	93101-35002-00	.OIL SEAL	1	
9	6BG-11351-00-00	.GASKET, CYLINDER	1	
10	62Y-12414-00-00	.GASKET, COVER	1	
11	6C5-41114-10-00	.GASKET, EXHAUST OUTER COVER	1	
12	90430-18130-00	.GASKET	1	
13	90430-14115-00	.GASKET	2	
14	6C5-13329-00-00	.GASKET, PUMP COVER	1	
15	93210-24M79-00	.O-RING	1	
16	93210-24M79-00	.O-RING	1	

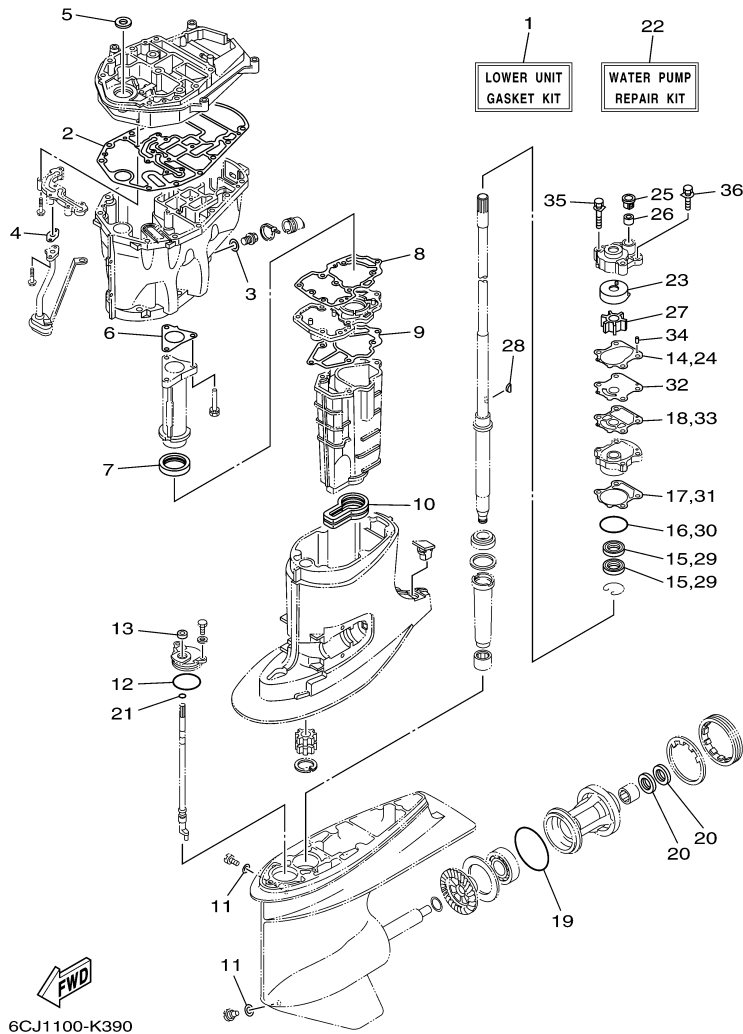
Part Notes

F70LA_0112 / REPAIR KIT 1

PART NUMBER	NOTE TEXT
62Y-12414-00-00 	OEM: This part number is among the Top 100 Most Popular Marine Maintenance Parts as of March 2014.

©2014 Yamaha Motor Corporation, U.S.A. All rights reserved.

F70LA_0112 / REPAIR KIT 2



©2014 Yamaha Motor Corporation, U.S.A. All rights reserved.






Part List

F70LA_0112 / REPAIR KIT 2

REF - NO	PART NUMBER	PART NAME	QUANTITY	REMARKS
1	6CJ-W0001-20-00	LOWER UNIT GASKET KIT	1	
2	6C5-15312-01-00	.GASKET, OIL PAN	1	
3	90430-14M09-00	.GASKET	1	
4	6C5-13414-01-00	.GASKET, STRAINER COVER	1	
5	93103-18011-00	.OIL SEAL	1	
6	6C5-41133-00-00	.GASKET, EXHAUST MANIFOLD 1	1	
7	6C5-46132-00-00	.GASKET 1	1	
8	6C5-41134-00-00	.GASKET, EXHAUST MANIFOLD	1	
9	6C5-41135-00-00	.GASKET, EXHAUST MANIFOLD	1	
10	6C5-45123-00-00	.GASKET, MUFFLER	1	
11	90430-08020-00	.GASKET	2	
12	93210-49046-00	.O-RING	1	
13	93106-09014-00	.OIL SEAL	1	
14	6CJ-44315-00-00	.GASKET, WATER PUMP	1	
15	93101-23070-00	.OIL SEAL	2	
16	93210-46044-00	.O-RING	1	
17	6CJ-44316-00-00	.GASKET, WATER PUMP	1	
18	6CJ-44324-00-00	.GASKET, CARTRIDGE	1	
19	93210-86M39-00	.O-RING	1	
20	93101-25M03-00	.OIL SEAL	2	
21	93210-07003-00	.O-RING	1	
22	6CJ-W0078-00-00	WATER PUMP REPAIR KIT	1	
23	63D-44322-00-00	.INSERT, CARTRIDGE	1	
24	6CJ-44315-00-00	.GASKET, WATER PUMP	1	
25	63D-44312-00-00	.COVER, WATER PUMP HOUSING	1	
26	663-44366-00-00	.DAMPER, WATER SEAL 2	1	
27	6H3-44352-00-00	.IMPELLER	1	
28	90280-03M03-00	.KEY, WOODRUFF	1	
29	93101-23070-00	.OIL SEAL	2	
30	93210-46044-00	.O-RING	1	
31	6CJ-44316-00-00	.GASKET, WATER PUMP	1	
32	6CJ-44323-00-00	.OUTER PLATE, CARTRIDGE	1	
33	6CJ-44324-00-00	.GASKET, CARTRIDGE	1	
34	93604-10M03-00	.PIN, DOWEL	2	
35	90119-08M33-00	.BOLT, WITH WASHER	2	
36	90119-08M14-00	.BOLT, WITH WASHER	2	

Part Notes

F70LA_0112 / REPAIR KIT 2

PART NUMBER		NOTE TEXT
90430-14M09-00		OEM: This part number is among the Top 100 Most Popular Marine Maintenance Parts as of March 2014.
90430-08020-00		OEM: This part number is among the Top 100 Most Popular Marine Maintenance Parts as of March 2014.
93106-09014-00		OEM: This part number is among the Top 100 Most Popular Marine Maintenance Parts as of March 2014.
93101-25M03-00		OEM: This part number is among the Top 100 Most Popular Marine Maintenance Parts as of March 2014.
6H3-44352-00-00		OEM: This part number is among the Top 100 Most Popular Marine Maintenance Parts as of March 2014.

©2014 Yamaha Motor Corporation, U.S.A. All rights reserved.

©2014 Yamaha Motor Corporation, U.S.A. All rights reserved.