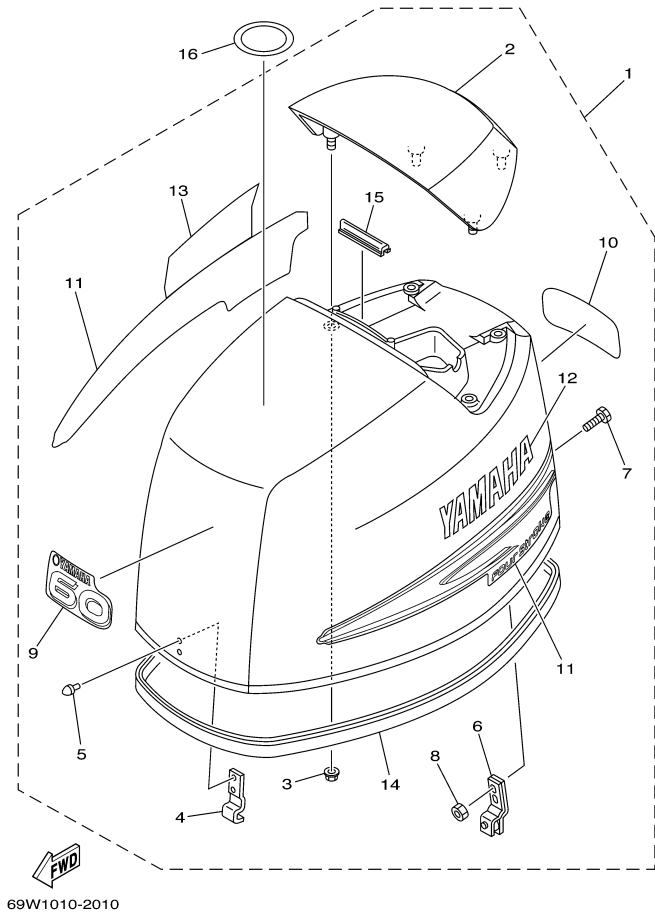


F60TLRA 2002 / TOP COWLING



69W1010-2010

©2014 Yamaha Motor Corporation, U.S.A. All rights reserved.



## Part List

F60TLRA 2002 / TOP COWLING

| REF - NO | PART NUMBER     | PART NAME          | QUANTITY | REMARKS |
|----------|-----------------|--------------------|----------|---------|
| 1        | 69W-42610-00-4D | TOP COWLING ASSY   | 1        |         |
| 2        | 67C-42613-00-4D | .MOLDING, AIR DUCT | 1        |         |
| 3        | 90179-06M24-00  | .NUT               | 4        |         |
| 4        | 62Y-42651-00-00 | .HOOK              | 1        |         |
| 5        | 90266-06M02-00  | .RIVET             | 2        |         |
| 6        | 67C-42652-00-00 | .HOOK              | 1        |         |
| 7        | 90109-06047-00  | .BOLT              | 2        |         |
| 8        | 95680-06100-00  | .NUT, U            | 2        |         |
| 9        | 69W-42677-00-00 | .GRAPHIC, FRONT    | 1        |         |
| 10       | 69W-42678-00-00 | .GRAPHIC, REAR     | 1        |         |
| 11       | 69W-W0070-00-00 | .GRAPHIC SET       | 1        |         |
| 12       | 69W-42681-00-00 | .MARK, COWLING     | 1        |         |
| 13       | 69W-42682-00-00 | .MARK, COWLING     | 1        |         |
| 14       | 69W-42615-00-00 | .SEAL              | 1        |         |
| 15       | 61N-42628-00-00 | .SEAL              | 1        |         |
| 16       | 67F-13434-02-00 | LABEL, CAUTION     | 1        |         |

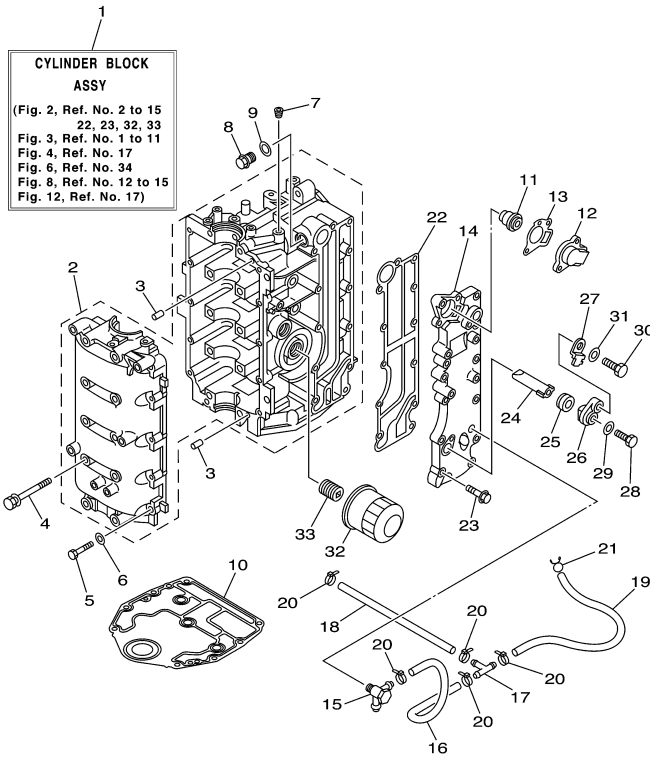
## Part Notes

F60TLRA 2002 / TOP COWLING

| PART NUMBER   | NOTE TEXT   |
|---|---|
| 69W-42677-00-00  | OEM: The rear graphic correctly supersedes to this part. To match the original graphic, trim the word "Yamaha" from the front graphic.                        |
| 69W-42678-00-00  | OEM: This part is discontinued and supersedes to the front graphic part number. To match the original graphic, trim the word "Yamaha" from the front graphic. |

©2014 Yamaha Motor Corporation, U.S.A. All rights reserved.

F60TLRA 2002 / CYLINDER CRANKCASE 1



  
69W1100-2020


Part List

F60TLRA 2002 / CYLINDER CRANKCASE 1

| REF - NO | PART NUMBER     | PART NAME                   | QUANTITY | REMARKS          |
|----------|-----------------|-----------------------------|----------|------------------|
| 1        | 69W-W009B-00-1S | CYLINDER BLOCK ASSY         | 1        |                  |
| 2        | 69W-15100-00-1S | CRANKCASE ASSY              | 1        |                  |
| 3        | 93606-12019-00  | .PIN, DOWEL                 | 4        |                  |
| 4        | 90119-08M01-00  | BOLT, WITH WASHER           | 10       |                  |
| 5        | 97013-06035-00  | BOLT                        | 10       |                  |
| 6        | 92903-06600-00  | WASHER, PLATE               | 10       |                  |
| 7        | 90344-51003-00  | PLUG, TAPER SCREW           | 1        |                  |
| 8        | 90340-14M06-00  | PLUG, STRAIGHT SCREW        | 1        |                  |
| 9        | 90430-14115-00  | .GASKET                     | 1        |                  |
| 10       | 67C-11351-00-00 | .GASKET, CYLINDER           | 1        |                  |
| 11       | 6G8-12411-02-00 | THERMOSTAT                  | 1        |                  |
| 12       | 6H3-12413-00-1S | COVER, THERMOSTAT           | 1        |                  |
| 13       | 62Y-12414-00-00 | .GASKET, COVER              | 1        |                  |
| 14       | 62Y-41113-20-1S | OUTER COVER, EXHAUST        | 1        |                  |
| 15       | 62Y-11372-01-00 | NIPPLE, HOSE                | 1        | FOR FLUSHING KIT |
| 16       | 90445-09068-00  | HOSE (L110)                 | 1        |                  |
| 17       | 688-24378-00-00 | PIPE, JOINT 3               | 1        |                  |
| 18       | 90445-09095-00  | HOSE (L215)                 | 1        |                  |
| 19       | 90445-09105-00  | HOSE (L300)                 | 1        |                  |
| 20       | 90465-11M10-00  | CLAMP                       | 5        |                  |
| 21       | 90467-08M18-00  | CLIP                        | 1        |                  |
| 22       | 62Y-41114-00-00 | GASKET, EXHAUST OUTER COVER | 1        |                  |
| 23       | 90119-06MA5-00  | BOLT, WITH WASHER           | 12       |                  |
| 24       | 62Y-11325-00-00 | ANODE                       | 1        |                  |
| 25       | 66M-11328-00-00 | GROMMET, ANODE              | 1        |                  |
| 26       | 66M-11327-00-94 | COVER, ANODE                | 1        |                  |
| 27       | 66M-12535-00-00 | PLATE                       | 1        |                  |
| 28       | 97095-05012-00  | BOLT                        | 1        |                  |
| 29       | 92995-05600-00  | WASHER                      | 1        |                  |
| 30       | 97095-06020-00  | BOLT                        | 1        |                  |
| 31       | 92995-06600-00  | WASHER                      | 1        |                  |
| 32       | 5GH-13440-00-00 | ELEMENT ASSY, OIL CLEANER   | 1        |                  |
| 33       | 90401-20M00-00  | BOLT, UNION                 | 1        |                  |

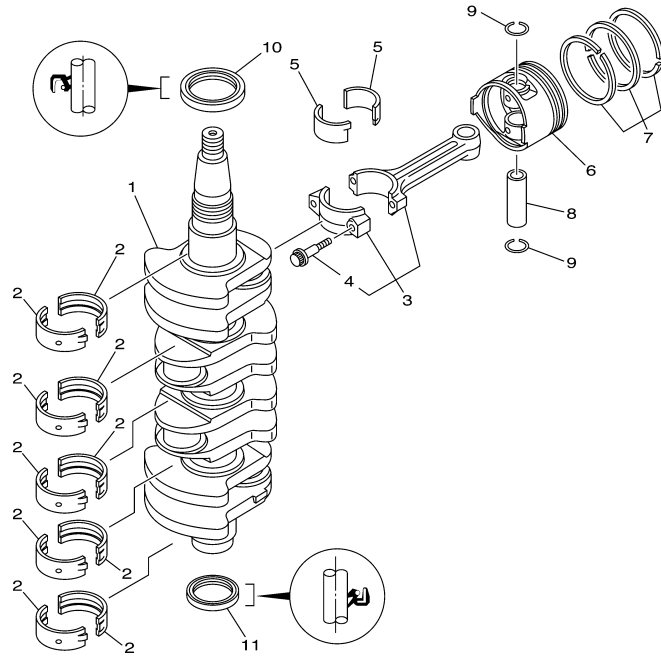
Part Notes

F60TLRA 2002 / CYLINDER CRANKCASE 1

| PART NUMBER   | NOTE TEXT  |
|---|--|
| 62Y-12414-00-00  | OEM: This part number is among the Top 100 Most Popular Marine Maintenance Parts as of March 2014. |

©2014 Yamaha Motor Corporation, U.S.A. All rights reserved.

F60TLRA 2002 / CRANKSHAFT PISTON



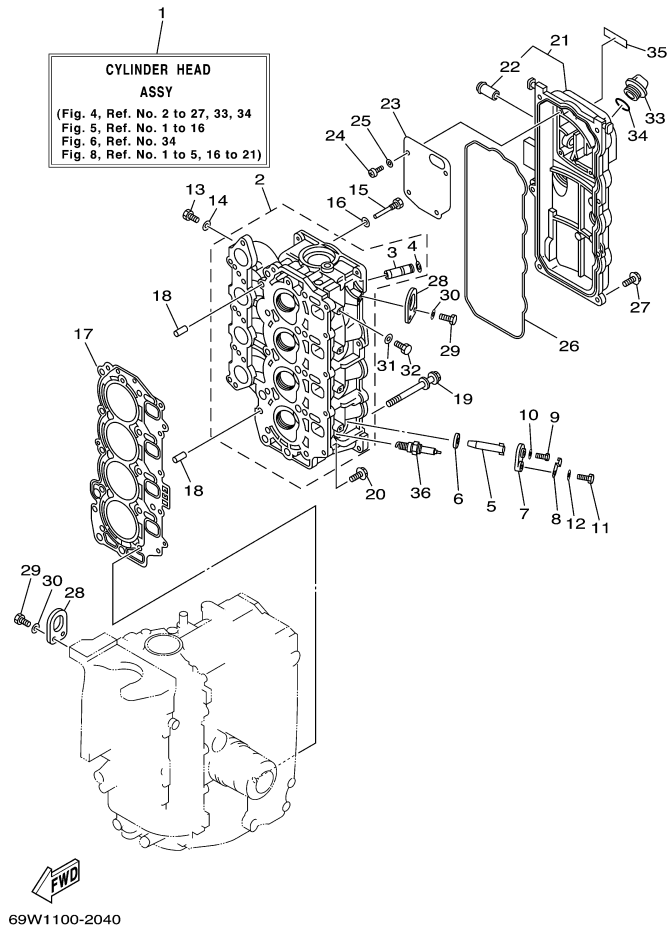
  
69W1010-2030

## Part List

F60TLRA 2002 / CRANKSHAFT PISTON

| REF<br>-<br>NO | PART<br>NUMBER  | PART NAME                        | QUANTITY | REMARKS   |
|----------------|-----------------|----------------------------------|----------|-----------|
| 1              | 69W-11411-00-00 | CRANKSHAFT                       | 1        |           |
| 2              | 62Y-11416-50-00 | PLANE BEARING,<br>CRANKSHAFT 1   | 10       | UR PINK   |
| 2              | 62Y-11416-60-00 | PLANE BEARING,<br>CRANKSHAFT 1   | 10       | UR GREEN  |
| 2              | 62Y-11416-40-00 | PLANE BEARING,<br>CRANKSHAFT 1   | 10       | UR RED    |
| 2              | 62Y-11416-30-00 | PLANE BEARING,<br>CRANKSHAFT 1   | 10       | UR YELLOW |
| 3              | 62Y-11650-10-00 | CONNECTING ROD ASSY              | 4        |           |
| 4              | 62Y-11654-00-00 | .BOLT, CONNECTING ROD            | 2        |           |
| 5              | 62Y-11656-40-00 | PLANE BEARING,<br>CONNECTING ROD | 8        | UR RED    |
| 5              | 62Y-11656-30-00 | PLANE BEARING,<br>CONNECTING ROD | 8        | UR YELLOW |
| 5              | 62Y-11656-50-00 | PLANE BEARING,<br>CONNECTING ROD | 8        | UR PINK   |
| 5              | 62Y-11656-60-00 | PLANE BEARING,<br>CONNECTING ROD | 8        | UR GREEN  |
| 6              | 69W-11636-00-00 | PISTON (0.50MM O/S)              | 4        | AP        |
| 6              | 69W-11635-00-00 | PISTON (0.25MM O/S)              | 4        | AP        |
| 6              | 69W-11631-00-97 | PISTON (STD)                     | 4        |           |
| 7              | 67C-11603-00-00 | PISTON RING SET (STD)            | 4        |           |
| 7              | 67C-11604-00-00 | PISTON RING SET (0.25MM<br>O/S)  | 4        | AP        |
| 7              | 67C-11605-00-00 | PISTON RING SET (0.50MM<br>O/S)  | 4        | AP        |
| 8              | 62Y-11633-00-00 | PIN, PISTON                      | 4        |           |
| 9              | 93450-17129-00  | CIRCLIP                          | 8        |           |
| 10             | 93102-43M42-00  | .OIL SEAL                        | 1        |           |
| 11             | 93101-35002-00  | .OIL SEAL                        | 1        |           |

F60TLRA 2002 / CYLINDER CRANKCASE 2



©2014 Yamaha Motor Corporation, U.S.A. All rights reserved.

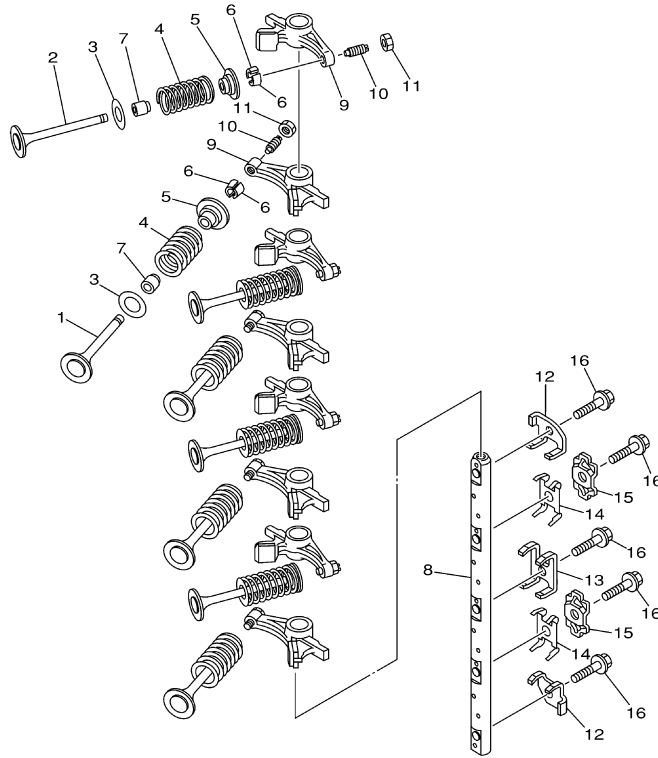
## Part List

F60TLRA 2002 / CYLINDER CRANKCASE 2

| REF<br>-<br>NO | PART<br>NUMBER  | PART NAME                  | QUANTITY | REMARKS |
|----------------|-----------------|----------------------------|----------|---------|
| 1              | 69W-W009A-00-1S | CYLINDER HEAD COMPLETE     | 1        |         |
| 2              | 69W-11111-00-1S | HEAD, CYLINDER 1           | 1        |         |
| 3              | 62Y-11133-10-00 | .GUIDE, VALVE 1            | 8        |         |
| 4              | 93450-09M01-00  | .CIRCLIP                   | 8        |         |
| 5              | 62Y-11325-00-00 | ANODE                      | 4        |         |
| 6              | 66M-11328-00-00 | GROMMET, ANODE             | 4        |         |
| 7              | 66M-11327-00-94 | COVER, ANODE               | 4        |         |
| 8              | 66M-12535-00-00 | PLATE                      | 4        |         |
| 9              | 97095-05012-00  | BOLT                       | 4        |         |
| 10             | 92995-05600-00  | WASHER                     | 4        |         |
| 11             | 97095-06020-00  | BOLT                       | 4        |         |
| 12             | 92995-06600-00  | WASHER                     | 4        |         |
| 13             | 97095-06010-00  | BOLT                       | 4        |         |
| 14             | 90430-06014-00  | .GASKET                    | 4        |         |
| 15             | 90109-06M65-00  | BOLT                       | 1        |         |
| 16             | 90430-06014-00  | .GASKET                    | 1        |         |
| 17             | 69W-11181-00-00 | .GASKET, CYLINDER HEAD 1   | 1        |         |
| 18             | 99530-08012-00  | PIN, DOWEL                 | 2        |         |
| 19             | 90119-09M00-00  | BOLT, WITH WASHER          | 10       |         |
| 20             | 90119-06MA3-00  | BOLT, WITH WASHER          | 5        |         |
| 21             | 62Y-11191-01-1S | COVER, CYLINDER HEAD 1     | 1        |         |
| 22             | 62Y-14485-00-00 | .PIPE, JOINT               | 1        |         |
| 23             | 62Y-11168-00-00 | COVER, BREATHER            | 1        |         |
| 24             | 98507-04010-00  | SCREW, PAN HEAD            | 4        |         |
| 25             | 92907-04600-00  | WASHER                     | 4        |         |
| 26             | 62Y-11356-00-00 | .SEAL, CYLINDER 2          | 1        |         |
| 27             | 90119-06MA2-00  | BOLT, WITH WASHER          | 7        |         |
| 28             | 62Y-11119-00-00 | HANGER, ENGINE             | 2        |         |
| 29             | 97095-06020-00  | BOLT                       | 4        |         |
| 30             | 92995-06600-00  | WASHER                     | 4        |         |
| 31             | 90430-08143-00  | GASKET                     | 4        |         |
| 32             | 97095-08014-00  | BOLT                       | 4        |         |
| 33             | 6G8-15363-00-00 | PLUG, OIL                  | 1        |         |
| 34             | 93210-24M79-00  | .O-RING                    | 1        |         |
| 35             | 62Y-12138-40-00 | MARK, CAUTION              | 1        |         |
| 36             | NGK-DPR5E-A9-00 | PLUG, SPARK (NGK DPR5EA-9) | 4        |         |



F60TLRA 2002 / VALVE



62Y1010-2050

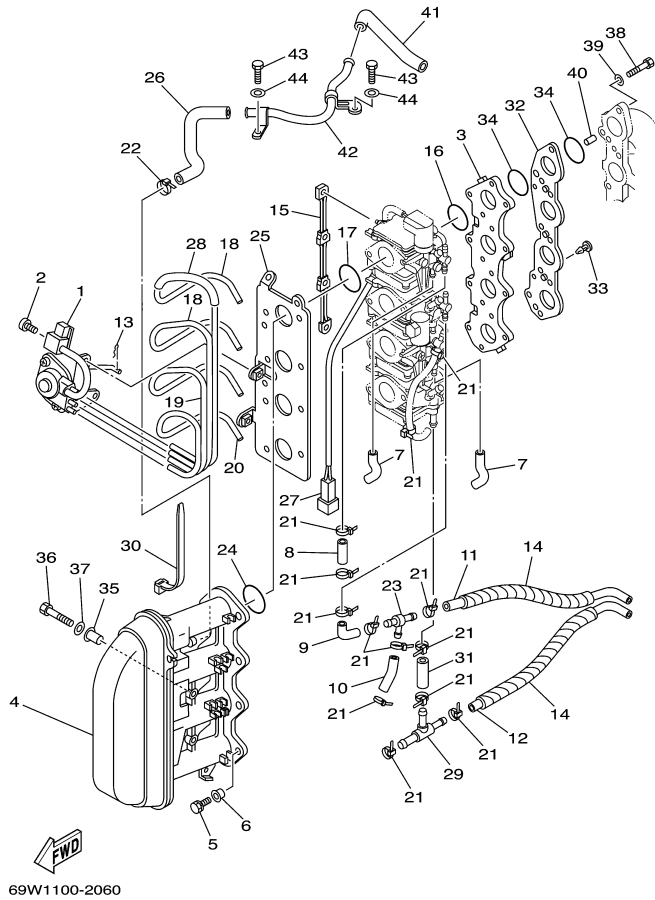
©2014 Yamaha Motor Corporation, U.S.A. All rights reserved.

## Part List

F60TLRA 2002 / VALVE

| REF<br>-<br>NO | PART<br>NUMBER  | PART NAME                      | QUANTITY | REMARKS |
|----------------|-----------------|--------------------------------|----------|---------|
| 1              | 69W-12111-00-00 | VALVE, INTAKE                  | 4        |         |
| 2              | 69W-12121-00-00 | VALVE, EXHAUST                 | 4        |         |
| 3              | 62Y-12116-00-00 | SEAT, VALVE SPRING             | 8        |         |
| 4              | 51Y-12114-00-00 | SPRING, VALVE OUTER            | 8        |         |
| 5              | 30X-12117-00-00 | RETAINER, VALVE SPRING         | 8        |         |
| 6              | 30X-12118-00-00 | LOCK, VALVE SPRING<br>RETAINER | 16       |         |
| 7              | 51Y-12119-00-00 | SEAL, VALVE STEM               | 8        |         |
| 8              | 62Y-12146-00-00 | SHAFT, ROCKER                  | 1        |         |
| 9              | 62Y-12151-00-00 | ARM, VALVE ROCKER              | 8        |         |
| 10             | 64J-12159-00-00 | SCREW, VALVE ADJUSTING         | 8        |         |
| 11             | 62Y-12158-00-00 | NUT, LOCK                      | 8        |         |
| 12             | 62Y-12238-00-00 | PLATE, BOLT STOPPER            | 2        |         |
| 13             | 62Y-12279-00-00 | PLATE                          | 1        |         |
| 14             | 62Y-12216-00-00 | SPRING                         | 2        |         |
| 15             | 62Y-12231-00-00 | GUIDE, STOPPER 1               | 2        |         |
| 16             | 90109-08M63-00  | BOLT                           | 5        |         |

F60TLRA 2002 / INTAKE



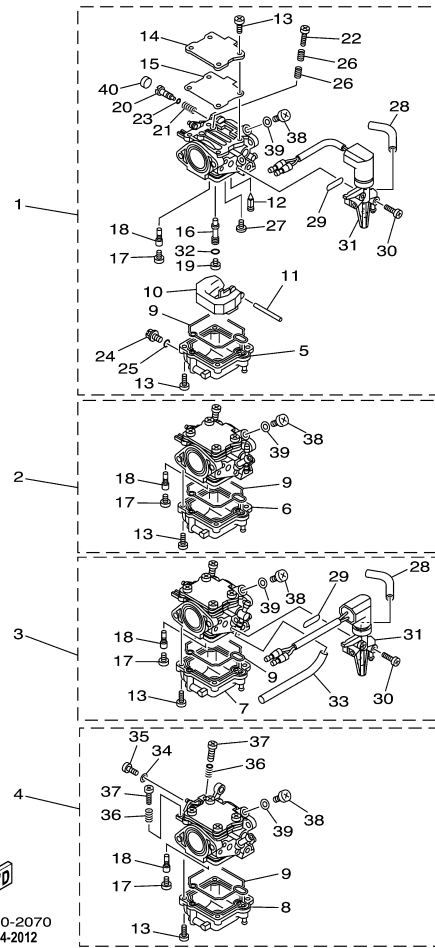
©2014 Yamaha Motor Corporation, U.S.A. All rights reserved.

## Part List

F60TLRA 2002 / INTAKE

| REF<br>-<br>NO | PART<br>NUMBER  | PART NAME             | QUANTITY | REMARKS |
|----------------|-----------------|-----------------------|----------|---------|
| 1              | 69W-14369-00-00 | DIAPHRAGM ASSY 2      | 1        |         |
| 2              | 650-14327-01-00 | SCREW                 | 3        |         |
| 3              | 69W-13586-00-00 | JOINT, CARBURETOR 1   | 1        |         |
| 4              | 69W-14440-00-00 | SILENCER ASSY, INTAKE | 1        |         |
| 5              | 97595-06590-00  | BOLT, WITH WASHER     | 8        |         |
| 6              | 90387-06M70-00  | COLLAR                | 8        |         |
| 7              | 62Y-24312-00-00 | PIPE 2                | 2        |         |
| 8              | 62Y-24313-30-00 | PIPE 3                | 1        |         |
| 9              | 62Y-24313-40-00 | PIPE 3                | 1        |         |
| 10             | 62Y-24313-50-00 | PIPE 3                | 1        |         |
| 11             | 62Y-24313-61-00 | PIPE 3                | 1        |         |
| 12             | 62Y-24313-70-00 | PIPE 3                | 1        |         |
| 13             | 69W-23153-00-00 | RING, SNAP            | 1        |         |
| 14             | 69W-24313-80-00 | PIPE 3                | 2        |         |
| 15             | 64J-14585-00-00 | ROD, CHOKE            | 1        |         |
| 16             | 69W-14561-00-00 | .O-RING               | 4        |         |
| 17             | 93210-35M86-00  | .O-RING               | 4        |         |
| 18             | 64J-14349-11-00 | PIPE                  | 2        |         |
| 19             | 69W-14349-00-00 | PIPE                  | 1        |         |
| 20             | 69W-14349-10-00 | PIPE                  | 1        |         |
| 21             | 90465-11M10-00  | CLAMP                 | 13       |         |
| 22             | 90465-13M36-00  | CLAMP                 | 1        |         |
| 23             | 62Y-24378-00-00 | PIPE, JOINT 4         | 1        |         |
| 24             | 93210-38MH3-00  | O-RING                | 4        |         |
| 25             | 62Y-14291-30-00 | BRACKET 1             | 1        |         |
| 26             | 62Y-1532B-00-00 | PIPE, BREATHER        | 1        |         |
| 27             | 69W-82509-00-00 | WIRE, SUB LEAD        | 1        |         |
| 28             | 64J-14349-40-00 | PIPE                  | 1        |         |
| 29             | 62Y-24378-00-00 | PIPE, JOINT 4         | 1        |         |
| 30             | 62Y-82544-00-00 | CLAMP                 | 1        |         |
| 31             | 62Y-24314-00-00 | PIPE 4                | 1        |         |
| 32             | 69W-14271-00-00 | INSULATOR             | 1        |         |
| 33             | 90338-04M17-00  | .PLUG                 | 2        |         |
| 34             | 93210-35M86-00  | .O-RING               | 8        |         |
| 35             | 90387-06M15-00  | COLLAR                | 2        |         |
| 36             | 97095-06030-00  | BOLT                  | 2        |         |
| 37             | 92995-06600-00  | WASHER                | 2        |         |
| 38             | 97095-06025-00  | BOLT                  | 8        |         |
| 39             | 92995-06600-00  | WASHER                | 8        |         |
| 40             | 93608-16M16-00  | PIN, DOWEL            | 2        |         |
| 41             | 62Y-1531A-00-00 | HOSE, BREATHER 1      | 1        |         |
| 42             | 62Y-15373-10-00 | PIPE, BREATHER        | 1        |         |
| 43             | 97095-06016-00  | BOLT                  | 2        |         |
| 44             | 92995-06600-00  | WASHER                | 2        |         |

F60TLRA 2002 / CARBURETOR



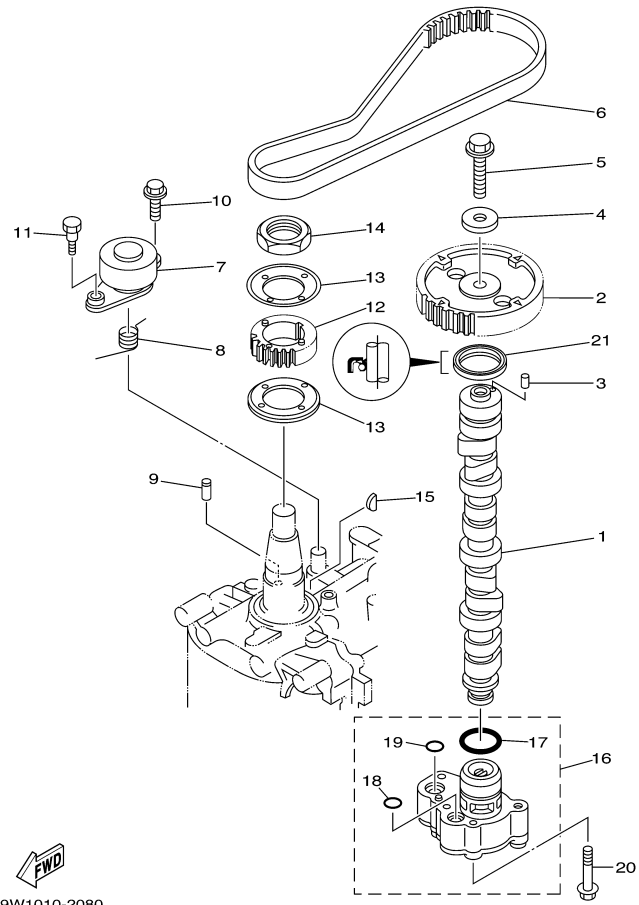
 69W1100-2070  
Rev. 4-04-2012

## Part List

F60TLRA 2002 / CARBURETOR

| REF<br>-<br>NO | PART<br>NUMBER  | PART NAME                | QUANTITY | REMARKS |
|----------------|-----------------|--------------------------|----------|---------|
| 1              | 69W-14901-10-00 | CARBURETOR ASSY 1        | 1        |         |
| 2              | 69W-14902-10-00 | CARBURETOR ASSY 2        | 1        |         |
| 3              | 69W-14903-10-00 | CARBURETOR ASSY 3        | 1        |         |
| 4              | 69W-14904-10-00 | CARBURETOR ASSY 4        | 1        |         |
| 5              | 69W-14381-00-00 | .BODY, FLOAT CHAMBER     | 1        | #1      |
| 6              | 69W-14381-10-00 | .BODY, FLOAT CHAMBER     | 1        | #2      |
| 7              | 69W-14381-20-00 | .BODY, FLOAT CHAMBER     | 1        | #3      |
| 8              | 69W-14381-30-00 | .BODY, FLOAT CHAMBER     | 1        | #4      |
| 9              | 69W-14384-00-00 | .GASKET, FLOAT CHAMBER   | 4        |         |
| 10             | 6L2-14385-00-00 | .FLOAT                   | 4        |         |
| 11             | 6E5-14386-01-00 | .PIN, FLOAT              | 4        |         |
| 12             | 62Y-14392-00-00 | .VALVE, NEEDLE           | 4        |         |
| 13             | 62Y-14321-00-00 | .SCREW, THROTTLE         | 32       |         |
| 14             | 62Y-14157-30-00 | .COVER, MIXING           | 4        |         |
| 15             | 69W-14399-00-00 | .VALVE, BIMETAL          | 4        |         |
| 16             | 69W-14341-00-00 | .NOZZLE, MAIN            | 4        |         |
| 17             | 69W-14343-62-00 | .JET, MAIN (#124)        | 4        |         |
| 18             | 64J-14342-20-00 | .JET, PILOT (#39)        | 4        |         |
| 19             | 66M-14355-00-00 | .PLUG                    | 4        |         |
| 20             | 69W-14323-00-00 | .SCREW, AIR ADJUSTING    | 4        |         |
| 21             | 62Y-14334-00-00 | .SPRING, AIR ADJUSTING   | 4        |         |
| 22             | 62Y-14321-10-00 | .SCREW, THROTTLE         | 4        |         |
| 23             | 2T4-14397-00-00 | .O-RING                  | 4        |         |
| 24             | 62Y-14383-30-00 | .SCREW, DRAIN            | 4        |         |
| 25             | 652-14397-00-00 | .O-RING                  | 4        |         |
| 26             | 62Y-14212-00-00 | .SPRING, PILOT ADJUSTING | 8        |         |
| 27             | 98980-04006-00  | .SCREW, BIND             | 4        |         |
| 28             | 69W-24311-00-00 | .PIPE, FUEL 1            | 2        | #1,3    |
| 29             | 62Y-14398-30-00 | .GASKET                  | 2        | #1,3    |
| 30             | 62Y-14567-30-00 | .SCREW                   | 2        | UR #1   |
| 30             | 62Y-14567-40-00 | .SCREW                   | 2        | UR #3   |
| 31             | 69W-14380-10-00 | .PRIME STARTER ASSY      | 1        | UR #3   |
| 31             | 69W-14380-00-00 | .PRIME STARTER ASSY      | 1        | UR #1   |
| 32             | 62Y-14227-00-00 | .WASHER                  | 4        |         |
| 33             | 62Y-24313-90-00 | .PIPE 3                  | 1        | #3      |
| 34             | 62Y-14597-00-00 | .WASHER                  | 1        | #4      |
| 35             | 664-14327-01-00 | .SCREW                   | 1        | #4      |
| 36             | 69W-14212-00-00 | .SPRING, PILOT ADJUSTING | 2        | #4      |
| 37             | 69W-14321-00-00 | .SCREW, THROTTLE         | 2        | #4      |
| 38             | 69W-14115-00-00 | .PLUG, SCREW             | 4        |         |
| 39             | 90430-08209-00  | .GASKET                  | 4        |         |
| 40             | 62Y-1432A-01-00 | .PLUG                    | 4        |         |

F60TLRA 2002 / OIL PUMP



  
69W1010-2080

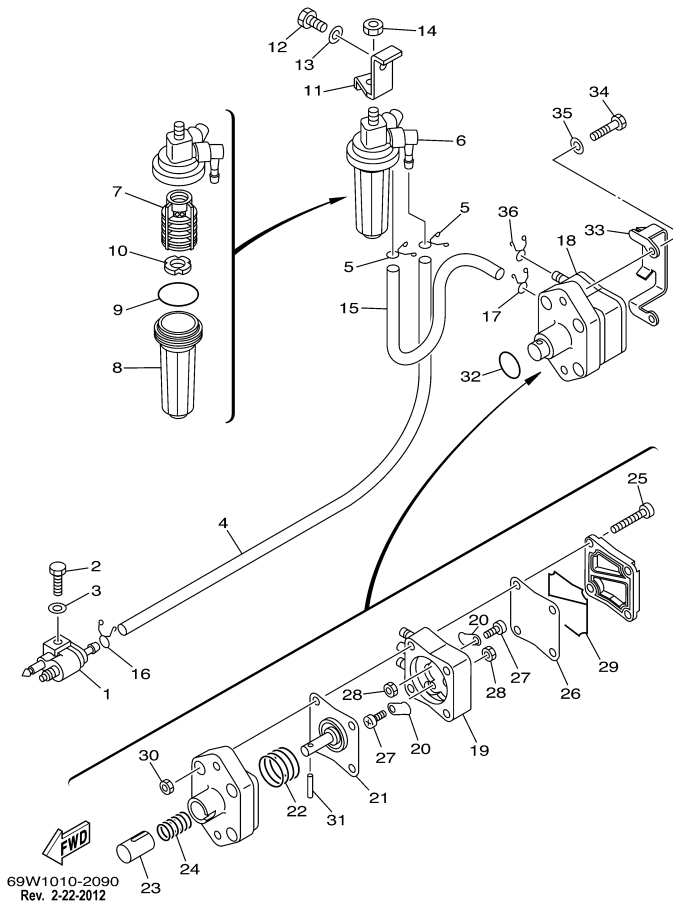
## Part List

F60TLRA 2002 / OIL PUMP

| REF<br>-<br>NO | PART<br>NUMBER  | PART NAME         | QUANTITY | REMARKS |
|----------------|-----------------|-------------------|----------|---------|
| 1              | 62Y-12171-00-00 | CAMSHAFT 1        | 1        |         |
| 2              | 62Y-11537-10-00 | GEAR, DRIVEN      | 1        |         |
| 3              | 93605-14143-00  | PIN, DOWEL        | 1        |         |
| 4              | 90201-10M06-00  | WASHER, PLATE     | 1        |         |
| 5              | 95895-10040-00  | BOLT, FLANGE      | 1        |         |
| 6              | 62Y-46241-00-00 | BELT              | 1        |         |
| 7              | 69W-11590-00-00 | TENSIONER ASSY    | 1        |         |
| 8              | 90508-20018-00  | SPRING, TORSION   | 1        |         |
| 9              | 90249-07M29-00  | PIN               | 1        |         |
| 10             | 95895-08020-00  | BOLT, FLANGE      | 1        |         |
| 11             | 90109-06M64-00  | BOLT              | 1        |         |
| 12             | 62Y-11536-10-00 | GEAR, DRIVE       | 1        |         |
| 13             | 62Y-11557-00-00 | WASHER 1          | 2        |         |
| 14             | 90170-35M32-00  | NUT               | 1        |         |
| 15             | 90280-04M06-00  | KEY, WOODRUFF     | 1        |         |
| 16             | 69W-13300-00-00 | OIL PUMP ASSY     | 1        |         |
| 17             | 93210-33MH2-00  | .O-RING           | 1        |         |
| 18             | 93210-12MG9-00  | .O-RING           | 1        |         |
| 19             | 93210-14515-00  | .O-RING           | 1        |         |
| 20             | 90119-06025-00  | BOLT, WITH WASHER | 4        |         |
| 21             | 93102-37M40-00  | .OIL SEAL         | 1        |         |



F60TLRA 2002 / FUEL 1



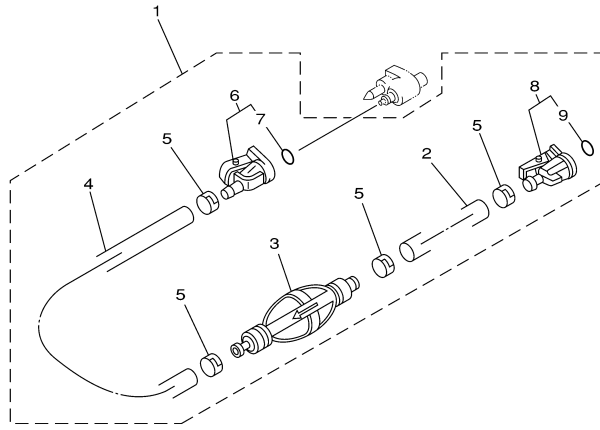
©2014 Yamaha Motor Corporation, U.S.A. All rights reserved.

## Part List

F60TLRA 2002 / FUEL 1

| REF<br>-<br>NO | PART<br>NUMBER  | PART NAME               | QUANTITY | REMARKS |
|----------------|-----------------|-------------------------|----------|---------|
| 1              | 6G1-24304-02-00 | FUEL PIPE JOINT COMP. 1 | 1        |         |
| 2              | 97095-06025-00  | BOLT                    | 1        |         |
| 3              | 92995-06600-00  | WASHER                  | 1        |         |
| 4              | 90445-10020-00  | HOSE (L590)             | 1        |         |
| 5              | 90467-09M17-00  | CLIP                    | 2        |         |
| 6              | 64J-24560-00-00 | FILTER ASSY             | 1        |         |
| 7              | 61N-24563-00-00 | .ELEMENT, FILTER        | 1        |         |
| 8              | 68V-24521-00-00 | .CUP, FILTER            | 1        |         |
| 9              | 93210-32738-00  | .O-RING                 | 1        |         |
| 10             | 68V-24469-00-00 | .FLOAT, WATER LEVEL     | 1        |         |
| 11             | 62Y-24566-00-00 | BRACKET, FILTER         | 1        |         |
| 12             | 97095-08014-00  | BOLT                    | 1        |         |
| 13             | 92995-08600-00  | WASHER                  | 1        |         |
| 14             | 95380-08600-00  | NUT                     | 1        |         |
| 15             | 90445-10M48-00  | HOSE (L205)             | 1        |         |
| 16             | 90467-09M17-00  | CLIP                    | 1        |         |
| 17             | 90467-10M04-00  | CLIP                    | 1        |         |
| 18             | 62Y-24410-02-00 | FUEL PUMP ASSY          | 1        |         |
| 19             | 62Y-24413-00-00 | .BODY 2                 | 1        |         |
| 20             | 62Y-24421-01-00 | .VALVE, CHECK           | 2        |         |
| 21             | 62Y-24411-02-00 | .DIAPHRAGM              | 1        |         |
| 22             | 62Y-24423-00-00 | .SPRING, DIAPHRAGM      | 1        |         |
| 23             | 62Y-13131-01-00 | .PLUNGER                | 1        |         |
| 24             | 62Y-24454-00-00 | .SPRING                 | 1        |         |
| 25             | 62Y-24444-00-00 | .SCREW                  | 4        |         |
| 26             | 62Y-24471-00-00 | .DIAPHRAGM              | 1        |         |
| 27             | 6A0-14325-00-00 | .SCREW, PAN HEAD        | 2        |         |
| 28             | 95380-03600-00  | .NUT                    | 2        |         |
| 29             | 62Y-24452-00-00 | .PACKING                | 1        |         |
| 30             | 95380-05600-00  | .NUT                    | 4        |         |
| 31             | 62Y-24374-01-00 | .PIN                    | 1        |         |
| 32             | 93210-24M79-00  | .O-RING                 | 1        |         |
| 33             | 65W-24474-00-00 | COVER                   | 1        |         |
| 34             | 97095-06030-00  | BOLT                    | 2        |         |
| 35             | 92995-06600-00  | WASHER                  | 2        |         |
| 36             | 90467-10M04-00  | CLIP                    | 2        |         |

F60TLRA 2002 / FUEL 2



6960100-0050

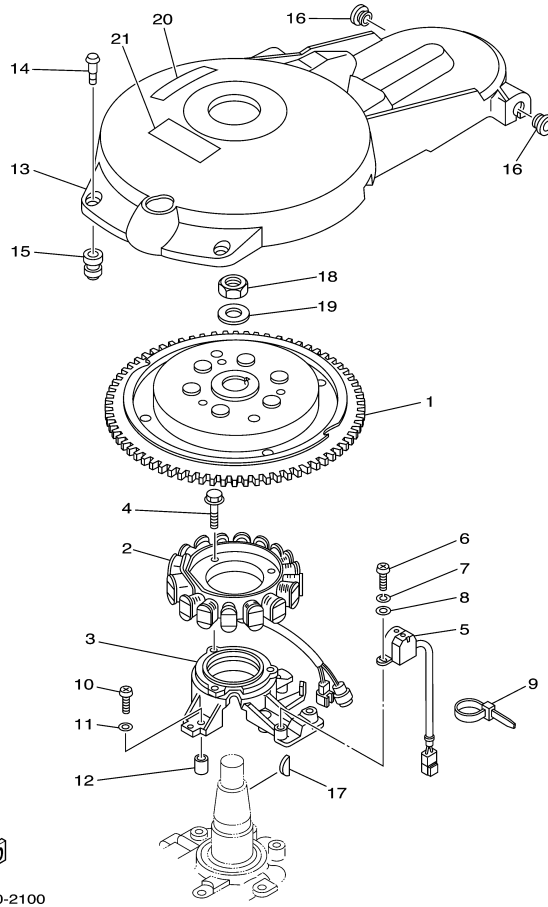
©2014 Yamaha Motor Corporation, U.S.A. All rights reserved.

## Part List

F60TLRA 2002 / FUEL 2

| REF<br>-<br>NO | PART<br>NUMBER  | PART NAME               | QUANTITY | REMARKS |
|----------------|-----------------|-------------------------|----------|---------|
| 1              | 6Y1-24306-53-00 | FUEL PIPE COMP. 1       | 1        | AP      |
| 2              | 90445-11M06-00  | .HOSE (L2050)           | 1        |         |
| 3              | 6Y1-24360-52-00 | .PRIMER PUMP ASSY       | 1        |         |
| 4              | 90445-11M05-00  | .HOSE (L850)            | 1        |         |
| 5              | 650-24351-51-00 | .BAND 1                 | 4        |         |
| 6              | 6G1-24305-03-00 | .FUEL PIPE JOINT COMP 2 | 1        |         |
| 7              | 93210-08287-00  | ..O-RING                | 1        |         |
| 8              | 6Y1-24305-04-00 | .FUEL PIPE JOINT COMP 2 | 1        |         |
| 9              | 93210-08287-00  | ..O-RING                | 1        |         |

F60TLRA 2002 / GENERATOR



  
69W1010-2100

©2014 Yamaha Motor Corporation, U.S.A. All rights reserved.



## Part List

F60TLRA 2002 / GENERATOR

| REF<br>-<br>NO | PART<br>NUMBER  | PART NAME             | QUANTITY | REMARKS |
|----------------|-----------------|-----------------------|----------|---------|
| 1              | 69W-85550-00-00 | ROTOR ASSY            | 1        |         |
| 2              | 64J-85510-00-00 | STATOR ASSY           | 1        |         |
| 3              | 62Y-85561-00-94 | BASE, MAGNETO         | 1        |         |
| 4              | 95023-06025-00  | BOLT                  | 3        |         |
| 5              | 62Y-85580-00-00 | COIL, PULSER          | 1        |         |
| 6              | 97880-05012-00  | SCREW, PAN HEAD       | 2        |         |
| 7              | 92990-05100-00  | .WASHER, SPRING       | 2        |         |
| 8              | 92990-05600-00  | WASHER, PLATE         | 2        |         |
| 9              | 90465-13M97-00  | CLAMP                 | 1        |         |
| 10             | 97880-06025-00  | SCREW, PAN HEAD       | 4        |         |
| 11             | 92990-06600-00  | WASHER, PLATE         | 4        |         |
| 12             | 99530-08012-00  | PIN, DOWEL            | 2        |         |
| 13             | 62Y-81337-11-00 | COVER, FLYWHEEL       | 1        |         |
| 14             | 6K7-81338-01-00 | .CLAMP, LEAD          | 2        |         |
| 15             | 663-82317-01-00 | DAMPER, IGNITION COIL | 2        |         |
| 16             | 90480-12072-00  | GROMMET               | 2        |         |
| 17             | 6H4-11545-00-00 | KEY, WOODRUFF         | 1        |         |
| 18             | 90170-20137-00  | NUT                   | 1        |         |
| 19             | 90201-21M18-00  | WASHER, PLATE         | 1        |         |
| 20             | 62Y-13437-40-00 | MARK, CAUTION         | 1        |         |
| 21             | 6A1-83625-41-00 | MARK 5                | 1        |         |

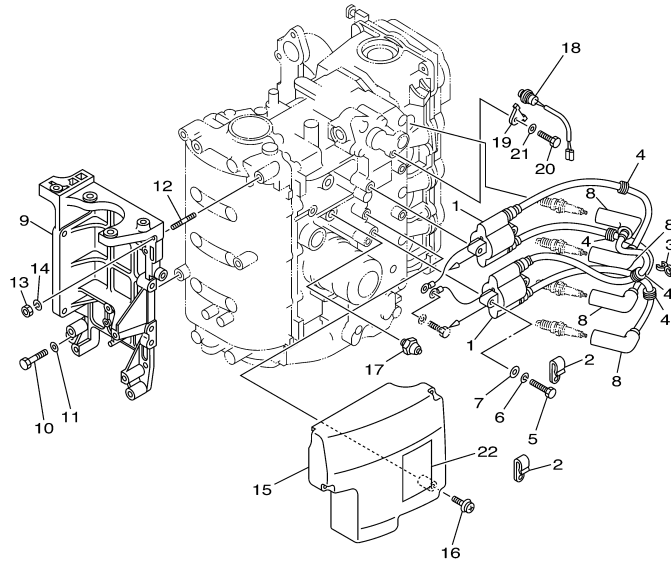
## Part Notes

F60TLRA 2002 / GENERATOR

| PART NUMBER  | NOTE TEXT  |
|--|--|
| 92990-06600-00   | OEM: This part number is among the Top 100 Most Popular Marine Maintenance Parts as of March 2014. |
| 90480-12072-00  | OEM: GROMMET used on F115TLR and F/LF115TXR 0410 Production and Earlier                            |

©2014 Yamaha Motor Corporation, U.S.A. All rights reserved.

F60TLRA 2002 / ELECTRICAL 1



  
69W1010-2110

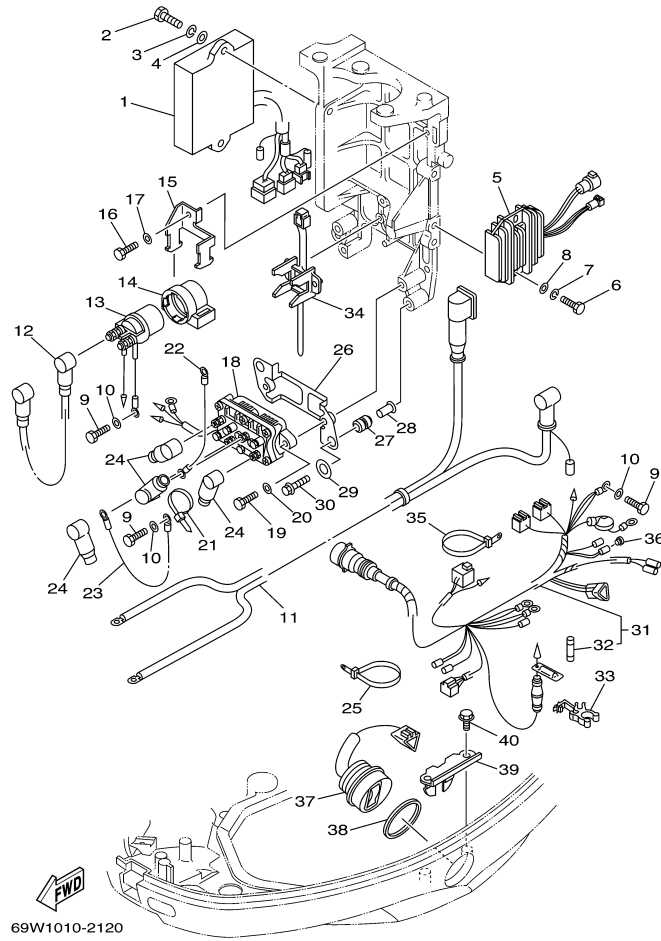
## Part List

F60TLRA 2002 / ELECTRICAL 1

| REF<br>-<br>NO | PART<br>NUMBER  | PART NAME                | QUANTITY | REMARKS |
|----------------|-----------------|--------------------------|----------|---------|
| 1              | 62Y-85570-00-00 | IGNITION COIL ASSY       | 2        |         |
| 2              | 90465-06M90-00  | CLAMP                    | 2        |         |
| 3              | 90464-07M41-00  | CLAMP                    | 1        |         |
| 4              | 90480-25161-00  | GROMMET                  | 4        |         |
| 5              | 97095-06030-00  | BOLT                     | 4        |         |
| 6              | 92995-06100-00  | WASHER, SPRING           | 4        |         |
| 7              | 92995-06600-00  | WASHER                   | 4        |         |
| 8              | 6G8-82370-30-00 | PLUG CAP ASSY            | 4        |         |
| 9              | 62Y-81822-01-94 | BRACKET, STARTING MOTOR  | 1        |         |
| 10             | 97095-08035-00  | BOLT                     | 3        |         |
| 11             | 92995-08600-00  | WASHER                   | 3        |         |
| 12             | 90116-08M14-00  | BOLT, STUD               | 1        |         |
| 13             | 95380-08600-00  | NUT                      | 1        |         |
| 14             | 92990-08100-00  | WASHER, SPRING           | 1        |         |
| 15             | 62Y-85599-00-00 | COVER                    | 1        |         |
| 16             | 90159-06M08-00  | SCREW, WITH WASHER       | 3        |         |
| 17             | 64J-82504-00-00 | OIL PRESSURE SWITCH ASSY | 1        |         |
| 18             | 62Y-82560-01-00 | THERMO SWITCH ASSY       | 1        |         |
| 19             | 6E9-82588-00-00 | PLATE                    | 1        |         |
| 20             | 97095-06012-00  | BOLT                     | 1        |         |
| 21             | 92995-06600-00  | WASHER                   | 1        |         |
| 22             | 62Y-83626-00-00 | MARK 6                   | 1        |         |



F60TLRA 2002 / ELECTRICAL 2



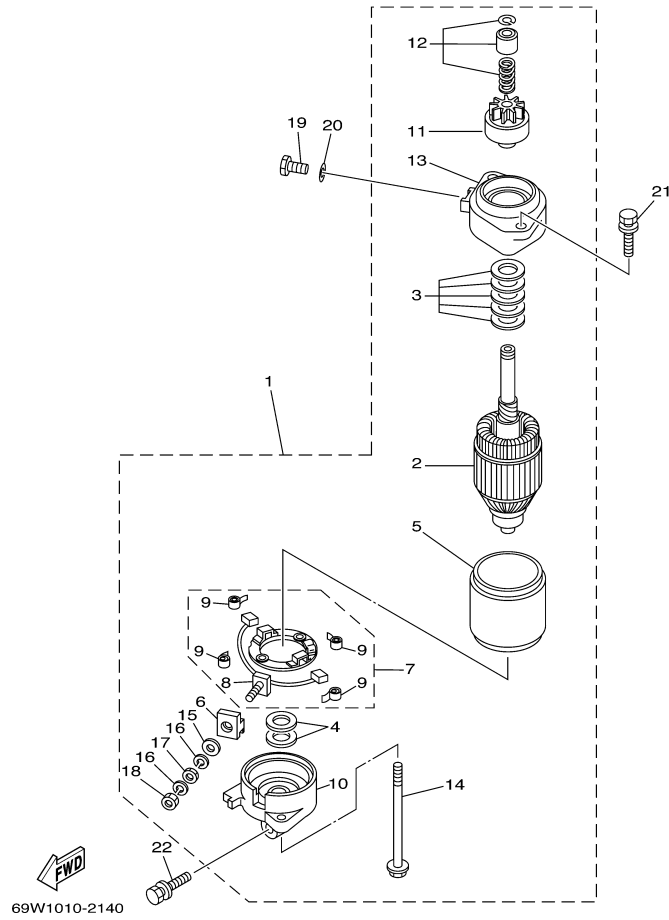
©2014 Yamaha Motor Corporation, U.S.A. All rights reserved.

## Part List

F60TLRA 2002 / ELECTRICAL 2

| REF<br>-<br>NO | PART<br>NUMBER  | PART NAME                     | QUANTITY | REMARKS |
|----------------|-----------------|-------------------------------|----------|---------|
| 1              | 69W-85540-00-00 | C.D.I. UNIT ASSY              | 1        |         |
| 2              | 97095-06020-00  | BOLT                          | 2        |         |
| 3              | 92995-06100-00  | WASHER, SPRING                | 2        |         |
| 4              | 92995-06600-00  | WASHER                        | 2        |         |
| 5              | 64J-81960-00-00 | RECTIFIER & REGULATOR<br>ASSY | 1        |         |
| 6              | 97095-06025-00  | BOLT                          | 2        |         |
| 7              | 92995-06100-00  | WASHER, SPRING                | 2        |         |
| 8              | 92995-06600-00  | WASHER                        | 2        |         |
| 9              | 97095-06012-00  | BOLT                          | 3        |         |
| 10             | 92995-06600-00  | WASHER                        | 3        |         |
| 11             | 62Y-82105-U0-00 | BATTERY CABLE                 | 1        |         |
| 12             | 6E5-82117-01-00 | WIRE, LEAD                    | 1        |         |
| 13             | 6G1-81941-10-00 | STARTER RELAY ASSY            | 1        |         |
| 14             | 6G1-81952-00-00 | HOLDER, RELAY                 | 1        |         |
| 15             | 6L2-81945-00-00 | PLATE, SWITCH FITTING         | 1        |         |
| 16             | 97095-06014-00  | BOLT                          | 1        |         |
| 17             | 92995-06600-00  | WASHER                        | 1        |         |
| 18             | 6H1-81950-00-00 | RELAY ASSY                    | 1        |         |
| 19             | 97095-06020-00  | BOLT                          | 2        |         |
| 20             | 92995-06600-00  | WASHER                        | 2        |         |
| 21             | 90465-13M11-00  | CLAMP                         | 1        |         |
| 22             | 6H2-81949-01-00 | WIRE, LEAD                    | 1        |         |
| 23             | 61A-81949-00-00 | WIRE, LEAD                    | 1        |         |
| 24             | 682-82119-01-00 | COVER, LEAD WIRE              | 4        |         |
| 25             | 90465-13M24-00  | CLAMP                         | 1        |         |
| 26             | 62Y-81948-00-00 | BRACKET                       | 1        |         |
| 27             | 6A0-82317-00-00 | DAMPER, IGNITION COIL         | 2        |         |
| 28             | 624-42542-00-00 | PIPE                          | 2        |         |
| 29             | 90201-12M16-00  | WASHER, PLATE                 | 2        |         |
| 30             | 95895-06025-00  | BOLT, FLANGE                  | 2        |         |
| 31             | 69W-82590-00-00 | WIRE HARNESS ASSY             | 1        |         |
| 32             | 663-82151-00-00 | .FUSE (12V-20A)               | 1        |         |
| 33             | 6G5-82152-00-00 | HOLDER, FUSE                  | 1        |         |
| 34             | 688-82594-00-00 | CLAMP                         | 1        |         |
| 35             | 90465-13M24-00  | CLAMP                         | 1        |         |
| 36             | 703-82119-00-00 | COVER, LEAD WIRE              | 2        |         |
| 37             | 63D-82563-10-00 | TRIM & TILT SWITCH ASSY       | 1        |         |
| 38             | 6E5-82587-00-00 | GASKET                        | 1        |         |
| 39             | 62Y-83614-00-00 | BRACKET                       | 1        |         |
| 40             | 90109-06M86-00  | BOLT                          | 2        |         |

F60TLRA 2002 / STARTING MOTOR



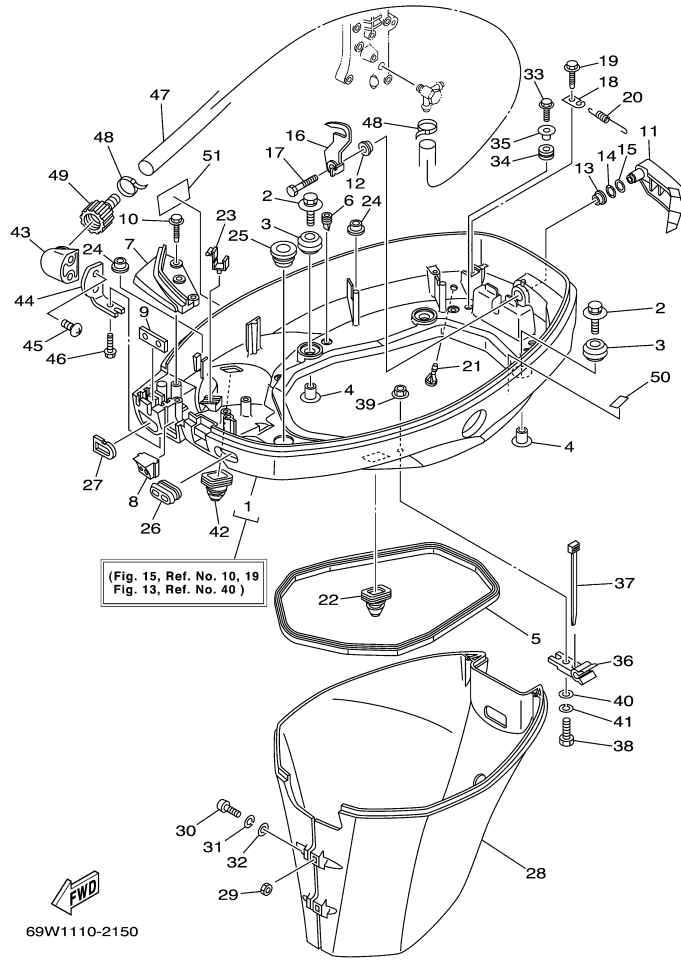
©2014 Yamaha Motor Corporation, U.S.A. All rights reserved.

## Part List

F60TLRA 2002 / STARTING MOTOR

| REF<br>-<br>NO | PART<br>NUMBER  | PART NAME                     | QUANTITY | REMARKS |
|----------------|-----------------|-------------------------------|----------|---------|
| 1              | 69W-81800-00-00 | STARTING MOTOR ASSY           | 1        |         |
| 2              | 6N7-81850-10-00 | .ARMATURE ASSY                | 1        |         |
| 3              | 61A-81809-00-00 | .WASHER KIT                   | 1        |         |
| 4              | 61A-81824-00-00 | .WASHER 2                     | 2        |         |
| 5              | 6N7-81810-00-00 | .STATOR ASSY                  | 1        |         |
| 6              | 6K7-8182G-10-00 | .BUSH, TERMINAL               | 1        |         |
| 7              | 6N7-81840-00-00 | .BRUSH HOLDER ASSY            | 1        |         |
| 8              | 6N7-81801-00-00 | ..BRUSH SET                   | 1        |         |
| 9              | 6N7-81813-00-00 | ..SPRING, BRUSH               | 4        |         |
| 10             | 6N7-81820-00-00 | .REAR BRACKET ASSY            | 1        |         |
| 11             | 69W-81807-00-00 | .GEAR ASSY, STARTING<br>MOTOR | 1        |         |
| 12             | 6N7-81857-00-00 | .RETAINER                     | 1        |         |
| 13             | 6N7-81830-00-00 | .FRONT BRACKET ASSY           | 1        |         |
| 14             | 6K7-81826-10-00 | .BOLT                         | 2        |         |
| 15             | 6E5-8182E-10-00 | .WASHER                       | 1        |         |
| 16             | 6E5-8182F-10-00 | .WASHER                       | 2        |         |
| 17             | 6E5-8182A-10-00 | .NUT                          | 1        |         |
| 18             | 6E5-8182K-10-00 | .NUT                          | 1        |         |
| 19             | 97095-08016-00  | BOLT                          | 1        |         |
| 20             | 92995-08600-00  | WASHER                        | 1        |         |
| 21             | 90119-08M76-00  | BOLT, WITH WASHER             | 2        |         |
| 22             | 90119-08M77-00  | BOLT, WITH WASHER             | 1        |         |

F60TLRA 2002 / BOTTOM COWLING



©2014 Yamaha Motor Corporation, U.S.A. All rights reserved.



## Part List

F60TLRA 2002 / BOTTOM COWLING

| REF - NO | PART NUMBER     | PART NAME             | QUANTITY | REMARKS          |
|----------|-----------------|-----------------------|----------|------------------|
| 1        | 67C-42710-12-4D | BOTTOM COWLING ASSY   | 1        |                  |
| 2        | 90119-06M08-00  | BOLT, WITH WASHER     | 4        |                  |
| 3        | 90480-09M12-00  | GROMMET               | 4        |                  |
| 4        | 90387-06M69-00  | COLLAR                | 4        |                  |
| 5        | 62Y-42716-00-00 | RUBBER, SEAL 1        | 1        |                  |
| 6        | 65W-42717-00-00 | RUBBER, SEAL 2        | 4        |                  |
| 7        | 67C-42738-00-4D | PLATE, FITTING        | 1        |                  |
| 8        | 62Y-42725-30-00 | GROMMET               | 1        |                  |
| 9        | 62Y-42727-00-00 | GROMMET               | 1        |                  |
| 10       | 90109-06M81-00  | BOLT                  | 3        |                  |
| 11       | 67C-42815-00-4D | LEVER, CLAMP          | 1        |                  |
| 12       | 90386-12M37-00  | BUSH                  | 1        |                  |
| 13       | 90386-12MA2-00  | BUSH                  | 1        |                  |
| 14       | 90206-12052-00  | WASHER, WAVE          | 1        |                  |
| 15       | 90201-12M07-00  | WASHER, PLATE         | 1        |                  |
| 16       | 67C-42816-01-00 | LEVER, CLAMP          | 1        |                  |
| 17       | 97095-06012-00  | BOLT                  | 1        |                  |
| 18       | 66T-43144-00-00 | HOOK, SPRING          | 1        |                  |
| 19       | 90109-06M86-00  | BOLT                  | 1        |                  |
| 20       | 90506-18M40-00  | SPRING, TENSION       | 1        |                  |
| 21       | 6H3-44391-01-00 | NIPPLE, HOSE          | 1        |                  |
| 22       | 688-42726-10-00 | GROMMET               | 1        |                  |
| 23       | 90464-09M13-00  | CLAMP                 | 1        |                  |
| 24       | 6E7-82317-00-00 | DAMPER, IGNITION COIL | 2        |                  |
| 25       | 68U-42727-00-00 | GROMMET               | 1        |                  |
| 26       | 6H3-42727-00-00 | GROMMET               | 1        |                  |
| 27       | 61N-24329-00-00 | SEAL                  | 1        |                  |
| 28       | 67C-42741-10-4D | APRON                 | 1        |                  |
| 29       | 95380-06600-00  | NUT, HEXAGON          | 2        |                  |
| 30       | 97880-06025-00  | SCREW, PAN HEAD       | 2        |                  |
| 31       | 92990-06100-00  | ..WASHER, SPRING      | 2        |                  |
| 32       | 92990-06600-00  | WASHER, PLATE         | 2        |                  |
| 33       | 95895-06016-00  | BOLT, FLANGE          | 2        |                  |
| 34       | 90480-13M24-00  | GROMMET               | 2        |                  |
| 35       | 90387-06M40-00  | COLLAR                | 2        |                  |
| 36       | 90464-09M49-00  | CLAMP                 | 1        |                  |
| 37       | 90465-11M10-00  | CLAMP                 | 1        |                  |
| 38       | 90101-06020-00  | BOLT                  | 1        |                  |
| 39       | 90179-06M28-00  | NUT                   | 1        |                  |
| 40       | 92990-06600-00  | WASHER, PLATE         | 1        |                  |
| 41       | 92995-06100-00  | WASHER, SPRING        | 1        |                  |
| 42       | 65W-42724-10-00 | GROMMET               | 1        | FOR FLUSHING KIT |
| 43       | 68T-12572-00-00 | ADAPTER               | 1        | FLUSHING KIT     |
| 44       | 69W-12535-00-00 | PLATE                 | 1        | FLUSHING KIT     |
| 45       | 97780-60520-00  | SCREW, TAPPING        | 2        | FLUSHING KIT     |
| 46       | 90109-06M80-00  | .BOLT                 | 1        | FLUSHING KIT     |
| 47       | 67C-24312-00-00 | PIPE 2                | 1        | FLUSHING KIT     |
| 48       | 90465-11M10-00  | CLAMP                 | 2        | FLUSHING KIT     |
| 49       | 6R3-12580-00-00 | JOINT ASSY            | 1        | FLUSHING KIT     |
| 50       | 69W-82377-00-00 | LABEL                 | 1        |                  |
| 51       | 62Y-13444-40-00 | MARK                  | 1        |                  |

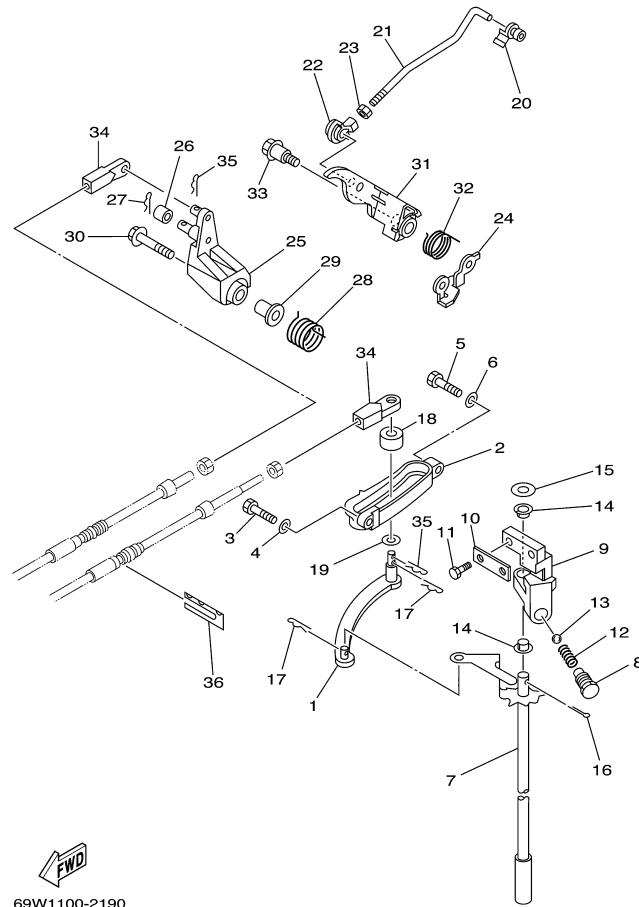
## Part Notes

F60TLRA 2002 / BOTTOM COWLING

| PART NUMBER  | NOTE TEXT  |
|--|--|
| 92990-06600-00  | OEM: This part number is among the Top 100 Most Popular Marine Maintenance Parts as of March 2014. |
| 92990-06600-00  | OEM: This part number is among the Top 100 Most Popular Marine Maintenance Parts as of March 2014. |

©2014 Yamaha Motor Corporation, U.S.A. All rights reserved.

F60TLRA 2002 / CONTROL



69W1100-2190

©2014 Yamaha Motor Corporation, U.S.A. All rights reserved.



## Part List

F60TLRA 2002 / CONTROL

| REF<br>-<br>NO | PART<br>NUMBER  | PART NAME                 | QUANTITY | REMARKS |
|----------------|-----------------|---------------------------|----------|---------|
| 1              | 69W-44121-00-00 | LEVER, SHIFT ROD          | 1        |         |
| 2              | 62Y-44117-01-4D | BRACKET                   | 1        |         |
| 3              | 97095-06020-00  | BOLT                      | 1        |         |
| 4              | 92995-06600-00  | WASHER                    | 1        |         |
| 5              | 97095-06025-00  | BOLT                      | 1        |         |
| 6              | 92995-06600-00  | WASHER                    | 1        |         |
| 7              | 62Y-44120-01-00 | HANDLE GEAR SHIFT ASSY    | 1        |         |
| 8              | 62Y-42715-01-00 | BUSHING                   | 1        |         |
| 9              | 62Y-44118-00-00 | BRACKET                   | 1        |         |
| 10             | 62Y-44112-00-00 | STAY, HANDLE GEAR SHIFT   | 1        |         |
| 11             | 97095-06020-00  | BOLT                      | 2        |         |
| 12             | 90501-12082-00  | SPRING, COMPRESSION       | 1        |         |
| 13             | 93501-04M02-00  | BALL                      | 1        |         |
| 14             | 90386-90M90-00  | BUSH                      | 2        |         |
| 15             | 90201-10M20-00  | .WASHER, PLATE            | 1        |         |
| 16             | 91490-20015-00  | PIN. COTTER               | 1        |         |
| 17             | 90468-18008-00  | CLIP                      | 2        |         |
| 18             | 688-44122-00-00 | BUSHING, SHIFT ROD LEVER  | 1        |         |
| 19             | 90202-07M07-00  | WASHER, PLATE             | 1        |         |
| 20             | 6F5-41237-00-00 | JOINT, LINK               | 1        |         |
| 21             | 69W-41241-00-00 | ROD, LINK                 | 1        |         |
| 22             | 662-41237-01-00 | JOINT, LINK               | 1        |         |
| 23             | 95380-05700-00  | NUT                       | 1        |         |
| 24             | 69W-42159-00-00 | STAY                      | 1        |         |
| 25             | 62Y-42154-00-00 | LEVER, THROTTLE CONTROL   | 1        |         |
| 26             | 69W-42171-00-00 | BUSHING                   | 1        |         |
| 27             | 91490-16010-00  | PIN. COTTER               | 1        |         |
| 28             | 62Y-44135-00-00 | SPRING                    | 1        |         |
| 29             | 90387-06M45-00  | COLLAR                    | 1        |         |
| 30             | 95895-06035-00  | BOLT, FLANGE              | 1        |         |
| 31             | 62Y-42335-20-00 | LEVER, ACCEL. CONTROL     | 1        |         |
| 32             | 62Y-44116-01-00 | SPRING                    | 1        |         |
| 33             | 90109-06M30-00  | BOLT                      | 1        |         |
| 34             | 69W-48344-00-00 | CABLE END, REMOTE CONTROL | 2        |         |
| 35             | 90468-18008-00  | CLIP                      | 2        |         |
| 36             | 62Y-48538-00-00 | CLAMP, CABLE 1            | 1        |         |

## Part Notes

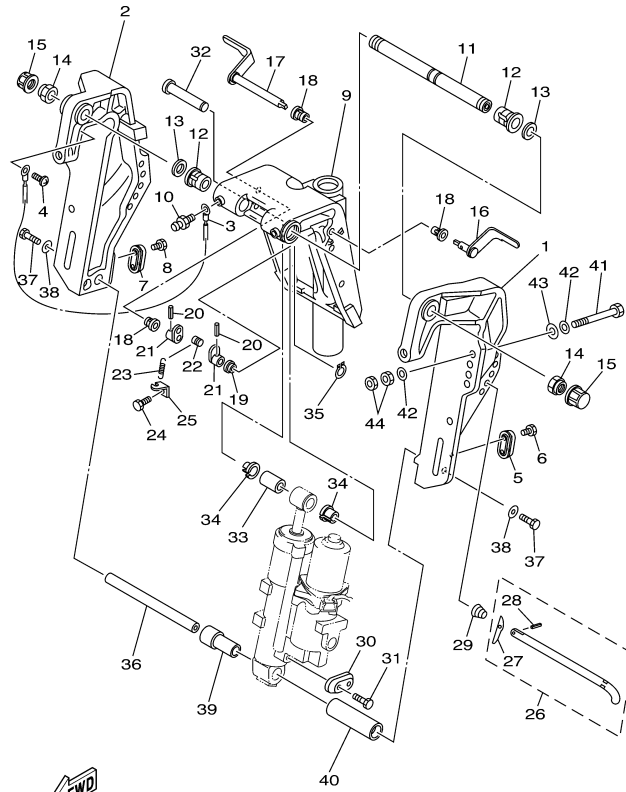
F60TLRA 2002 / CONTROL

| PART NUMBER    |   | NOTE TEXT  |
|----------------|---|--|
| 90468-18008-00 |  | OEM: This part number is among the Top 100 Most Popular Marine Maintenance Parts as of March 2014. |
| 90468-18008-00 |  | OEM: This part number is among the Top 100 Most Popular Marine Maintenance Parts as of March 2014. |

©2014 Yamaha Motor Corporation, U.S.A. All rights reserved.



F60TLRA 2002 / BRACKET 1



69W1010-2190

©2014 Yamaha Motor Corporation, U.S.A. All rights reserved.




## Part List

F60TLRA 2002 / BRACKET 1

| REF<br>-<br>NO | PART<br>NUMBER  | PART NAME              | QUANTITY | REMARKS |
|----------------|-----------------|------------------------|----------|---------|
| 1              | 69W-43111-00-4D | BRACKET, CLAMP         | 1        |         |
| 2              | 69W-43112-00-4D | BRACKET, CLAMP         | 1        |         |
| 3              | 63D-82148-00-00 | WIRE, LEAD 4           | 1        |         |
| 4              | 97885-06008-00  | SCREW, PAN HEAD        | 1        |         |
| 5              | 65W-45251-00-00 | ANODE                  | 1        |         |
| 6              | 90101-06020-00  | BOLT                   | 2        |         |
| 7              | 65W-45251-00-00 | ANODE                  | 1        |         |
| 8              | 90101-06020-00  | BOLT                   | 2        |         |
| 9              | 63D-43311-13-4D | BRACKET, SWIVEL 1      | 1        |         |
| 10             | 93700-06M03-00  | NIPPLE, GREASE         | 3        |         |
| 11             | 63D-43131-01-00 | BOLT, CLAMP BRACKET    | 1        |         |
| 12             | 90386-22M15-00  | BUSH                   | 2        |         |
| 13             | 90201-22M03-00  | WASHER, PLATE          | 2        |         |
| 14             | 90185-22M11-00  | NUT, SELF-LOCKING      | 2        |         |
| 15             | 6G5-43145-01-00 | CAP, CLAMP BRACKET     | 2        |         |
| 16             | 6H5-43181-03-00 | LEVER, TILT STOP       | 1        |         |
| 17             | 6H5-43185-03-00 | LEVER, TILT STOP       | 1        |         |
| 18             | 90386-10M16-00  | BUSH                   | 3        |         |
| 19             | 90386-10025-00  | .BUSH                  | 1        |         |
| 20             | 91690-30020-00  | PIN, SPRING            | 2        |         |
| 21             | 6G5-43148-00-00 | COLLAR, DISTANCE       | 2        |         |
| 22             | 90249-06M19-00  | PIN                    | 1        |         |
| 23             | 90506-14M24-00  | SPRING, TENSION        | 1        |         |
| 24             | 97095-06010-00  | BOLT                   | 1        |         |
| 25             | 6G5-43144-00-00 | HOOK, SPRING           | 1        |         |
| 26             | 688-43160-01-00 | TILT ROD ASSY          | 1        |         |
| 27             | 688-43165-00-00 | .PLATE, TILT LOCK      | 1        |         |
| 28             | 91690-30012-00  | .PIN, SPRING           | 1        |         |
| 29             | 90502-16M02-00  | SPRING, CONICAL        | 1        |         |
| 30             | 65W-45251-00-00 | ANODE                  | 1        |         |
| 31             | 90101-06020-00  | BOLT                   | 2        |         |
| 32             | 6E5-43126-02-00 | PIN, UPPER SHOCK MOUNT | 1        |         |
| 33             | 90386-18M92-00  | BUSH                   | 1        |         |
| 34             | 90386-18M35-00  | BUSH                   | 2        |         |
| 35             | 93410-18M02-00  | CIRCLIP                | 1        |         |
| 36             | 62Y-43818-00-00 | PIN, LOWER SHOCK MOUNT | 1        |         |
| 37             | 97080-08016-00  | BOLT                   | 2        |         |
| 38             | 90201-08M04-00  | WASHER, PLATE          | 2        |         |
| 39             | 90387-18002-00  | COLLAR                 | 1        |         |
| 40             | 90387-18003-00  | COLLAR                 | 1        |         |
| 41             | 90101-12M65-00  | BOLT                   | 4        |         |
| 42             | 92995-12200-00  | WASHER                 | 8        |         |
| 43             | 90201-12426-00  | WASHER, PLATE          | 4        |         |
| 44             | 95380-12600-00  | NUT                    | 8        |         |

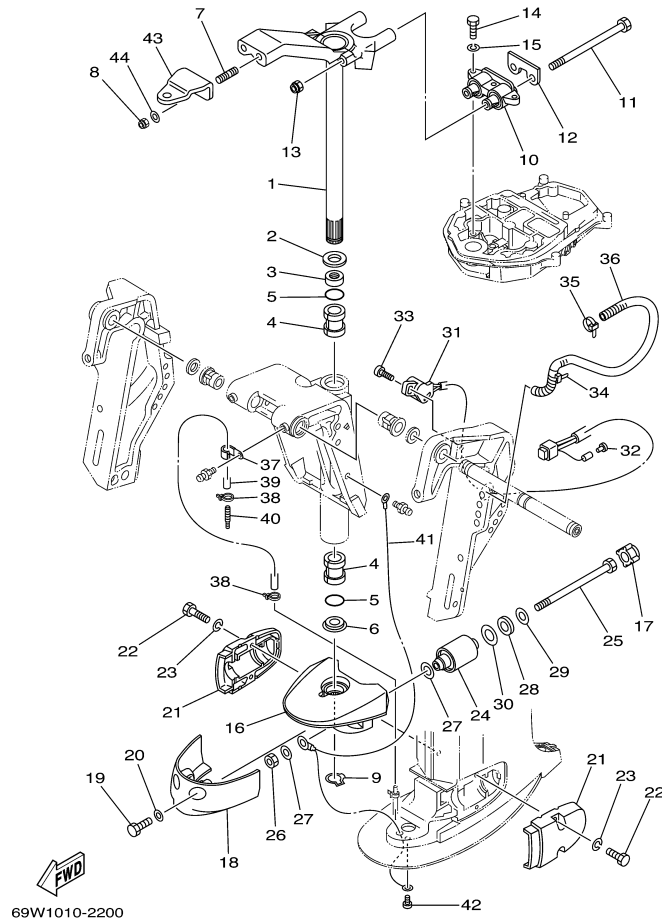
## Part Notes

F60TLRA 2002 / BRACKET 1

| PART NUMBER   | NOTE TEXT  |
|---|--|
| 65W-45251-00-00  | OEM: This part number is among the Top 100 Most Popular Marine Maintenance Parts as of March 2014. |
| 65W-45251-00-00  | OEM: This part number is among the Top 100 Most Popular Marine Maintenance Parts as of March 2014. |
| 65W-45251-00-00  | OEM: This part number is among the Top 100 Most Popular Marine Maintenance Parts as of March 2014. |

©2014 Yamaha Motor Corporation, U.S.A. All rights reserved.

F60TLRA 2002 / BRACKET 2



69W1010-2200

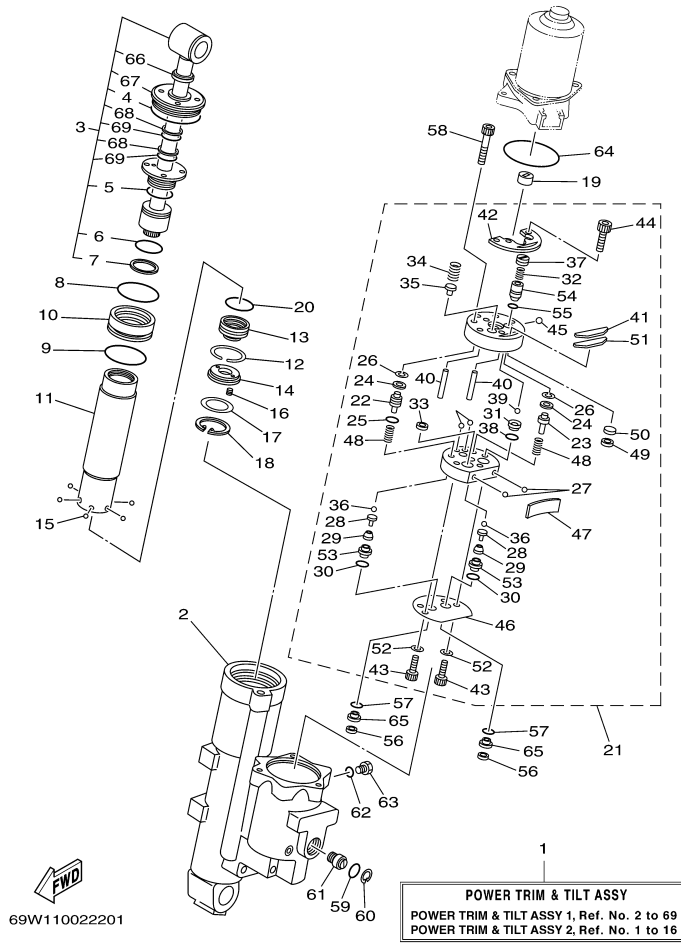
©2014 Yamaha Motor Corporation, U.S.A. All rights reserved.

## Part List

F60TLRA 2002 / BRACKET 2

| REF<br>-<br>NO | PART<br>NUMBER  | PART NAME                      | QUANTITY | REMARKS |
|----------------|-----------------|--------------------------------|----------|---------|
| 1              | 69W-42510-00-4D | STEERING BRACKET ASSY          | 1        |         |
| 2              | 90201-30M00-00  | WASHER, PLATE                  | 1        |         |
| 3              | 90386-30M78-00  | BUSH                           | 1        |         |
| 4              | 90386-30M77-00  | BUSH                           | 2        |         |
| 5              | 93210-29M94-00  | O-RING                         | 2        |         |
| 6              | 90386-30M60-00  | BUSH                           | 1        |         |
| 7              | 90116-10M28-00  | BOLT, STUD                     | 2        |         |
| 8              | 90185-10051-00  | NUT, SELF-LOCKING              | 2        |         |
| 9              | 93410-28M06-00  | CIRCLIP                        | 1        |         |
| 10             | 69W-44514-00-4D | MOUNT DAMPER, UPPER<br>SIDE    | 1        |         |
| 11             | 90101-08M15-00  | BOLT                           | 2        |         |
| 12             | 69W-44526-00-00 | PLATE                          | 1        |         |
| 13             | 90185-08045-00  | NUT, SELF-LOCKING              | 2        |         |
| 14             | 97075-08030-00  | BOLT                           | 3        |         |
| 15             | 92995-08100-00  | WASHER                         | 3        |         |
| 16             | 69W-44551-00-4D | HOUSING, LOWER MOUNT<br>RUBBER | 1        |         |
| 17             | 69W-44575-00-00 | DAMPER, LOWER MOUNT<br>RUBBER  | 2        |         |
| 18             | 67C-44553-00-4D | COVER, LOWER MOUNT             | 1        |         |
| 19             | 97095-08020-00  | BOLT                           | 2        |         |
| 20             | 92995-08600-00  | WASHER                         | 2        |         |
| 21             | 67C-44552-00-94 | HOUSING, LOWER MOUNT<br>RUBBER | 2        |         |
| 22             | 97075-08030-00  | BOLT                           | 4        |         |
| 23             | 92995-08100-00  | WASHER                         | 4        |         |
| 24             | 69W-44555-00-4D | MOUNT DAMPER, LOWER<br>SIDE    | 2        |         |
| 25             | 90109-12MA3-00  | BOLT                           | 2        |         |
| 26             | 95380-12700-00  | NUT                            | 2        |         |
| 27             | 90201-12M16-00  | WASHER, PLATE                  | 4        |         |
| 28             | 90202-21100-00  | WASHER, PLATE                  | 2        |         |
| 29             | 90201-13M19-00  | WASHER, PLATE                  | 2        |         |
| 30             | 90201-22M05-00  | WASHER, PLATE                  | 2        |         |
| 31             | 63D-83672-01-00 | TRIM SENDER                    | 1        |         |
| 32             | 703-82119-00-00 | COVER, LEAD WIRE               | 1        |         |
| 33             | 97885-06016-00  | SCREW, PAN HEAD                | 2        |         |
| 34             | 90465-13M18-00  | CLAMP                          | 1        |         |
| 35             | 90465-11M10-00  | CLAMP                          | 1        |         |
| 36             | 90446-17M91-00  | HOSE                           | 1        |         |
| 37             | 90465-06M86-00  | .CLAMP                         | 1        |         |
| 38             | 90465-11M10-00  | CLAMP                          | 2        |         |
| 39             | 90445-07M53-00  | HOSE (L700)                    | 1        |         |
| 40             | 6E5-83558-00-00 | END, NIPPLE                    | 1        |         |
| 41             | 67C-82127-10-00 | WIRE, LEAD 2                   | 1        |         |
| 42             | 97885-06008-00  | SCREW, PAN HEAD                | 1        |         |
| 43             | 65W-48511-00-4D | HOOK, STEERING                 | 1        |         |
| 44             | 92995-10600-00  | WASHER                         | 2        |         |

F60TLRA 2002 / POWER TRIM TILT ASSY 1



©2014 Yamaha Motor Corporation, U.S.A. All rights reserved.

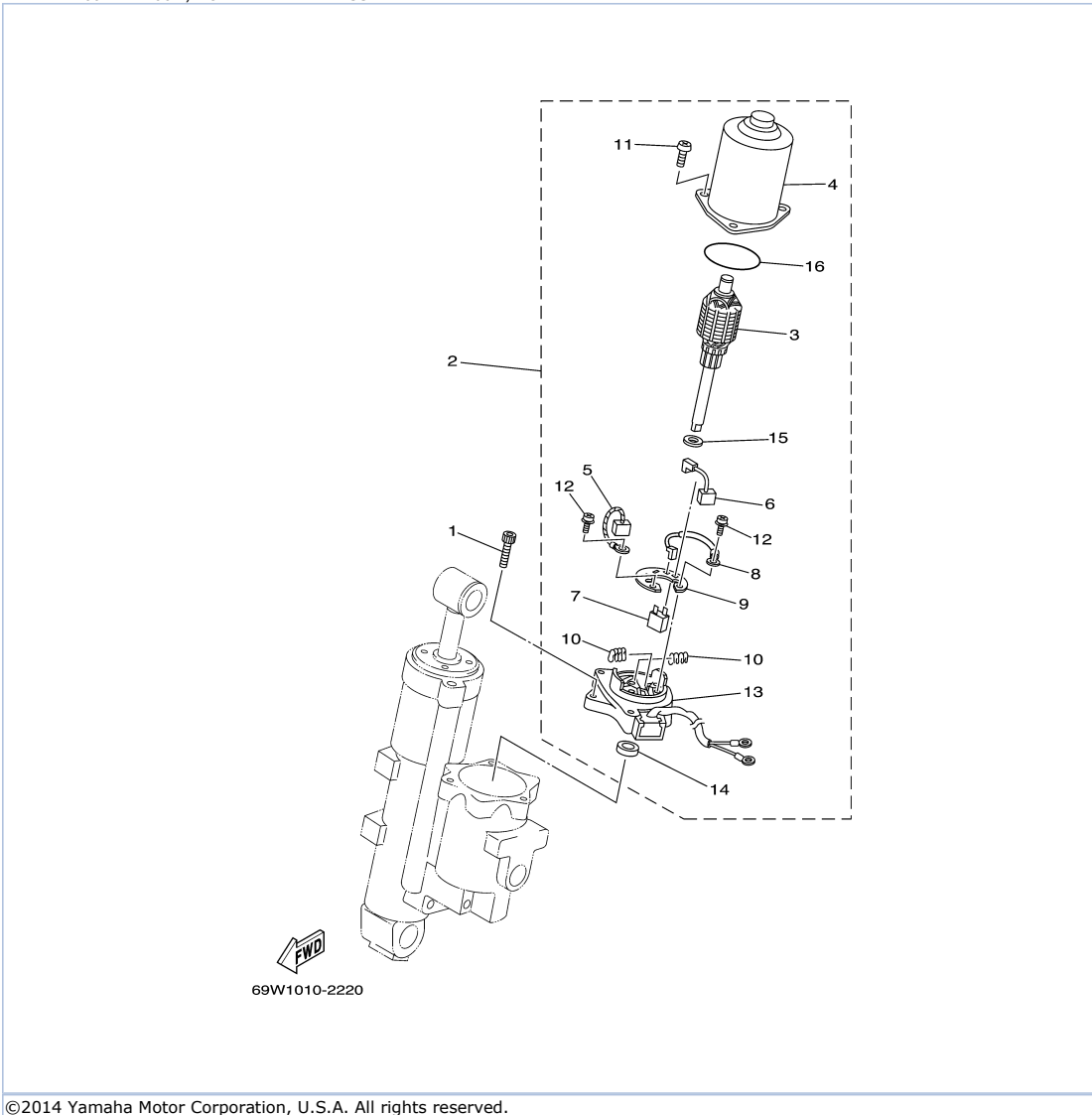
## Part List

F60TLRA 2002 / POWER TRIM TILT ASSY 1

| REF<br>-<br>NO | PART<br>NUMBER  | PART NAME                   | QUANTITY | REMARKS |
|----------------|-----------------|-----------------------------|----------|---------|
| 1              | 69W-43800-00-8D | POWER TRIM & TILT ASSY      | 1        |         |
| 2              | 69W-4380K-00-00 | CYLINDER, TILT SUB ASSY     | 1        |         |
| 3              | 62X-43810-01-00 | .TILT PISTON SUB ASSY       | 1        |         |
| 4              | 62X-43861-00-00 | ..O-RING                    | 1        |         |
| 5              | 62X-43862-00-00 | ..O-RING                    | 1        |         |
| 6              | 93210-29375-00  | ..O-RING                    | 1        |         |
| 7              | 62X-43871-00-00 | ..RING, BACK UP             | 1        |         |
| 8              | 93210-44383-00  | O-RING                      | 1        |         |
| 9              | 93210-48214-00  | .O-RING                     | 1        |         |
| 10             | 62X-4388A-00-00 | PISTON, TRIM                | 1        |         |
| 11             | 62Y-22471-00-00 | CYLINDER, SHOCK<br>ABSORBER | 1        |         |
| 12             | 67F-43875-00-00 | RING, SNAP                  | 1        |         |
| 13             | 69W-4381B-00-00 | FREE PISTON SUB ASSY        | 1        |         |
| 14             | 62X-43899-00-00 | PLATE STOPPER               | 1        |         |
| 15             | 93503-16003-00  | BALL                        | 6        |         |
| 16             | 62X-4384H-00-00 | SPRING                      | 2        |         |
| 17             | 1UF-22434-00-00 | PLATE, VALVE 1              | 1        |         |
| 18             | 62X-43875-00-00 | RING, SNAP                  | 1        |         |
| 19             | 6H1-43831-10-00 | CONNECTOR, SHAFT            | 1        |         |
| 20             | 93210-29375-00  | .O-RING                     | 1        |         |
| 21             | 69W-43830-00-00 | GEAR PUMP ASSY              | 1        |         |
| 22             | 69J-43841-00-00 | .PISTON, SHUTTLE            | 1        |         |
| 23             | 69J-4384M-00-00 | .PISTON, SHUTTLE 2          | 1        |         |
| 24             | 69A-4384F-00-00 | .SEAL, MAIN VALVE           | 2        |         |
| 25             | 6H1-43883-00-00 | .O-RING                     | 1        |         |
| 26             | 99002-03600-00  | .CLIP                       | 2        |         |
| 27             | 93505-32038-00  | .BALL                       | 4        |         |
| 28             | 65W-4386A-00-00 | .PIN, ABSORBER VALVE        | 2        |         |
| 29             | 69J-43853-00-00 | .SPRING, MAIN VALVE         | 2        |         |
| 30             | 69J-4389J-00-00 | .O-RING                     | 2        |         |
| 31             | 69J-43851-00-00 | .SEAT, RELIEF VALVE         | 1        |         |
| 32             | 69J-43855-00-00 | .SPRING, UP RELIEF          | 1        |         |
| 33             | 6H1-4384F-10-00 | .SEAL, MAIN VALVE           | 1        |         |
| 34             | 69W-43856-00-00 | .SPRING, DOWN RELIEF        | 1        |         |
| 35             | 6H1-43844-10-00 | .PIN, VALVE SUPPORT         | 1        |         |
| 36             | 93505-32038-00  | .BALL                       | 2        |         |
| 37             | 69J-43843-00-00 | .SCREW, VALVE LOCK          | 1        |         |
| 38             | 93210-08391-00  | .O-RING                     | 1        |         |
| 39             | 93501-08001-00  | .BALL                       | 1        |         |
| 40             | 93604-26256-00  | .PIN, DOWEL                 | 2        |         |
| 41             | 62Y-43816-00-00 | ..FILTER 1                  | 1        |         |
| 42             | 69W-4382L-00-00 | .CAP, RELIEF VALVE          | 1        |         |
| 43             | 91318-05020-00  | .BOLT                       | 2        |         |
| 44             | 91318-05008-00  | .BOLT                       | 2        |         |
| 45             | 93501-08001-00  | .BALL                       | 1        |         |
| 46             | 69W-4384G-00-00 | .SEAL, RELIEF VALVE         | 1        |         |
| 47             | 69W-43854-00-00 | .SPRING, MANUAL RELEASE     | 1        |         |
| 48             | 69J-43894-00-00 | .SPRING, SHUTTLE RETURN     | 2        |         |
| 49             | 62Y-4387J-00-00 | ..WASHER, SPECIAL 2         | 1        |         |
| 50             | 62Y-22434-00-00 | ..PLATE, VALVE 1            | 1        |         |
| 51             | 62Y-43871-00-00 | ..RING, BACK UP             | 1        |         |
| 52             | 62Y-4387G-00-00 | ..WASHER                    | 2        |         |
| 53             | 69J-43893-00-00 | .WASHER                     | 2        |         |
| 54             | 69J-43844-00-00 | .PIN, VALVE SUPPORT         | 1        |         |
| 55             | 93210-064A5-00  | .O-RING                     | 1        |         |
| 56             | 6H1-43816-00-00 | FILTER 1                    | 2        |         |
| 57             | 69J-4389J-00-00 | .O-RING                     | 2        |         |
| 58             | 91318-06040-00  | BOLT                        | 3        |         |
| 59             | 93210-18397-00  | O-RING                      | 1        |         |
| 60             | 6H1-43875-00-00 | .RING, SNAP                 | 1        |         |
| 61             | 62Y-43845-00-00 | SCREW, MANUAL RELEASE       | 1        |         |

|    |                 |                               |   |  |
|----|-----------------|-------------------------------|---|--|
| 62 | 93210-09165-00  | O-RING                        | 1 |  |
| 63 | 6H1-43829-00-00 | .PLUG, RESERVOIR              | 1 |  |
| 64 | 62X-43865-00-00 | O-RING                        | 1 |  |
| 65 | 69W-43899-01-00 | PLATE STOPPER                 | 2 |  |
| 66 | 62Y-43822-00-00 | ..SEAL, TRIM DUST             | 1 |  |
| 67 | 62X-43821-00-00 | ..SCREW, TRIM CYLINDER<br>END | 1 |  |
| 68 | 62X-43872-00-00 | ..RING, BACK UP               | 2 |  |
| 69 | 6C5-43863-00-00 | ..O-RING                      | 2 |  |

F60TLRA 2002 / POWER TRIM TILT ASSY 2



©2014 Yamaha Motor Corporation, U.S.A. All rights reserved.

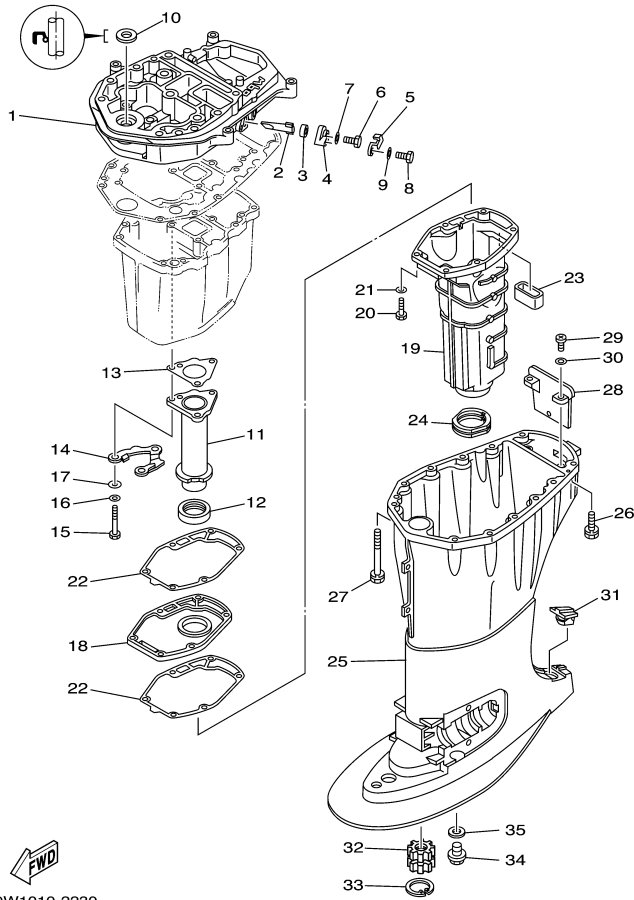


## Part List

F60TLRA 2002 / POWER TRIM TILT ASSY 2

| REF<br>-<br>NO | PART<br>NUMBER  | PART NAME             | QUANTITY | REMARKS |
|----------------|-----------------|-----------------------|----------|---------|
| 1              | 62X-43888-00-00 | BOLT, SOCKET          | 3        |         |
| 2              | 69W-43880-00-00 | MOTOR ASSY            | 1        |         |
| 3              | 69W-43805-00-00 | .ARMATURE ASSY        | 1        |         |
| 4              | 62X-43804-01-00 | .STATOR ASSY          | 1        |         |
| 5              | 62Y-43892-00-00 | ..BRUSH 2             | 1        |         |
| 6              | 62Y-43891-00-00 | ..BRUSH 1             | 1        |         |
| 7              | 69W-82181-00-00 | .CIRCUIT BREAKER COMP | 1        |         |
| 8              | 62X-43807-00-00 | .WIRE SUB ASSY        | 1        |         |
| 9              | 69W-4380F-00-00 | .PLATE, BRUSH HOLDER  | 1        |         |
| 10             | 62X-4386K-00-00 | .SPRING, BRUSH        | 2        |         |
| 11             | 97880-05020-00  | .SCREW, PAN HEAD      | 3        |         |
| 12             | 97607-04216-00  | ..SCREW, WITH WASHER  | 2        |         |
| 13             | 69W-43881-00-00 | .FRAME, END           | 1        |         |
| 14             | 93102-08414-00  | .OIL SEAL             | 1        |         |
| 15             | 90201-083J8-00  | .WASHER, PLATE        | 1        |         |
| 16             | 93210-52449-00  | .O-RING               | 1        |         |

F60TLRA 2002 / UPPER CASING



©2014 Yamaha Motor Corporation, U.S.A. All rights reserved.


Part List

F60TLRA 2002 / UPPER CASING

| REF - NO | PART NUMBER     | PART NAME                   | QUANTITY | REMARKS |
|----------|-----------------|-----------------------------|----------|---------|
| 1        | 69W-41137-00-94 | GUIDE, EXHAUST              | 1        |         |
| 2        | 62Y-11325-00-00 | ANODE                       | 1        |         |
| 3        | 66M-11328-00-00 | GROMMET, ANODE              | 1        |         |
| 4        | 66M-11327-00-94 | COVER, ANODE                | 1        |         |
| 5        | 66M-12535-00-00 | PLATE                       | 1        |         |
| 6        | 97095-05012-00  | BOLT                        | 1        |         |
| 7        | 92995-05600-00  | WASHER                      | 1        |         |
| 8        | 97013-06020-00  | BOLT                        | 1        |         |
| 9        | 92903-06600-00  | WASHER, PLATE               | 1        |         |
| 10       | 93103-18011-00  | .OIL SEAL                   | 1        |         |
| 11       | 69W-41131-00-00 | MANIFOLD, EXT. 1            | 1        |         |
| 12       | 64J-46132-10-00 | .GASKET 1                   | 1        |         |
| 13       | 64J-41133-10-00 | .GASKET, EXHAUST MANIFOLD 1 | 1        |         |
| 14       | 64J-41116-00-00 | PROTECTOR                   | 1        |         |
| 15       | 97075-06050-00  | BOLT                        | 3        |         |
| 16       | 92995-06600-00  | WASHER                      | 3        |         |
| 17       | 90201-06015-00  | WASHER, PLATE               | 3        |         |
| 18       | 69W-45181-00-5B | PLATE                       | 1        |         |
| 19       | 69W-14711-00-5B | MUFFLER 1                   | 1        |         |
| 20       | 97075-06025-00  | BOLT                        | 6        |         |
| 21       | 92995-06600-00  | WASHER                      | 6        |         |
| 22       | 62Y-41134-01-00 | .GASKET, EXHAUST MANIFOLD   | 2        |         |
| 23       | 62Y-45127-00-00 | .SEAL                       | 1        |         |
| 24       | 67C-45123-00-00 | .GASKET, MUFFLER            | 1        |         |
| 25       | 67C-45111-20-4D | CASING, UPPER               | 1        |         |
| 26       | 90119-08M79-00  | BOLT, WITH WASHER           | 4        |         |
| 27       | 90119-08M82-00  | BOLT, WITH WASHER           | 8        |         |
| 28       | 67C-45151-00-00 | COVER, UPPER CASING         | 1        |         |
| 29       | 97880-05016-00  | SCREW, PAN HEAD             | 2        |         |
| 30       | 92990-05600-00  | WASHER, PLATE               | 2        |         |
| 31       | 6H3-45155-00-00 | CAP                         | 1        |         |
| 32       | 69W-45318-00-00 | BUSHING, DRIVE SHAFT        | 1        |         |
| 33       | 93420-36M01-00  | CIRCLIP                     | 1        |         |
| 34       | 90340-14M06-00  | PLUG, STRAIGHT SCREW        | 1        |         |
| 35       | 90430-14M09-00  | .GASKET                     | 1        |         |

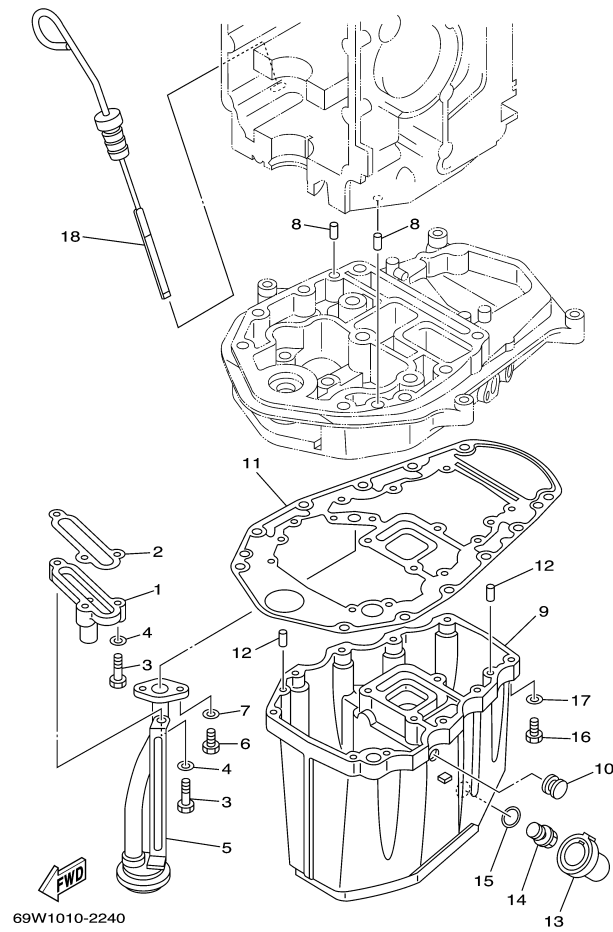
Part Notes

F60TLRA 2002 / UPPER CASING

| PART NUMBER  | NOTE TEXT  |
|--|--|
| 90430-14M09-00  | OEM: This part number is among the Top 100 Most Popular Marine Maintenance Parts as of March 2014. |

©2014 Yamaha Motor Corporation, U.S.A. All rights reserved.

F60TLRA 2002 / OIL PAN



©2014 Yamaha Motor Corporation, U.S.A. All rights reserved.


## Part List

F60TLRA 2002 / OIL PAN

| REF - NO | PART NUMBER     | PART NAME            | QUANTITY | REMARKS |
|----------|-----------------|----------------------|----------|---------|
| 1        | 62Y-11575-00-00 | RELIEF VALVE ASSY    | 1        |         |
| 2        | 62Y-13475-00-00 | .GASKET              | 1        |         |
| 3        | 97013-06025-00  | BOLT                 | 3        |         |
| 4        | 92903-06600-00  | WASHER, PLATE        | 3        |         |
| 5        | 62Y-13411-00-00 | STRAINER, OIL        | 1        |         |
| 6        | 97013-06016-00  | BOLT                 | 2        |         |
| 7        | 92903-06600-00  | WASHER, PLATE        | 2        |         |
| 8        | 93608-12M05-00  | PIN, DOWEL           | 2        |         |
| 9        | 64J-15311-01-5B | OIL PAN              | 1        |         |
| 10       | 90480-12M25-00  | GROMMET              | 1        |         |
| 11       | 69W-15312-00-00 | .GASKET, OIL PAN     | 1        |         |
| 12       | 93606-12019-00  | .PIN, DOWEL          | 4        |         |
| 13       | 67C-15316-00-00 | DAMPER 1             | 1        |         |
| 14       | 90340-14M06-00  | PLUG, STRAIGHT SCREW | 1        |         |
| 15       | 90430-14M09-00  | .GASKET              | 1        |         |
| 16       | 97075-06025-00  | BOLT                 | 10       |         |
| 17       | 92995-06600-00  | WASHER               | 10       |         |
| 18       | 67C-15362-00-00 | PLUG, OIL LEVEL      | 1        |         |

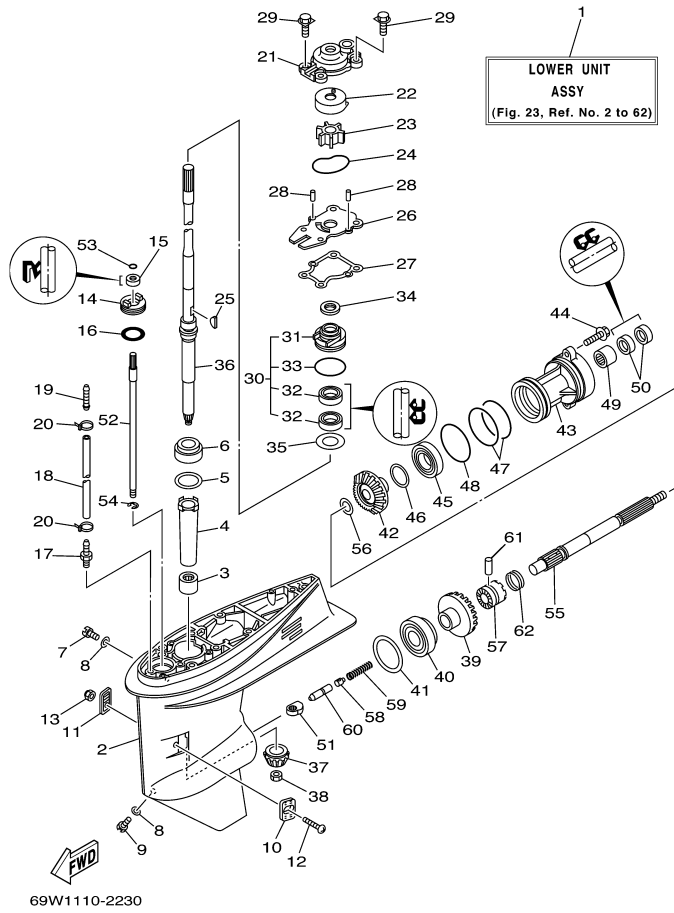
## Part Notes

F60TLRA 2002 / OIL PAN

| PART NUMBER  | NOTE TEXT  |
|--|--|
| 90430-14M09-00  | OEM: This part number is among the Top 100 Most Popular Marine Maintenance Parts as of March 2014. |

©2014 Yamaha Motor Corporation, U.S.A. All rights reserved.

F60TLRA 2002 / LOWER CASING DRIVE 1



©2014 Yamaha Motor Corporation, U.S.A. All rights reserved.

## Part List



F60TLRA 2002 / LOWER CASING DRIVE 1

| REF<br>-<br>NO | PART<br>NUMBER  | PART NAME                  | QUANTITY | REMARKS |
|----------------|-----------------|----------------------------|----------|---------|
| 1              | 69W-45300-00-4D | LOWER UNIT ASSY            | 1        |         |
| 2              | 69W-45301-00-4D | CASING, LOWER              | 1        |         |
| 3              | 93315-32224-00  | BEARING                    | 1        |         |
| 4              | 6H4-45536-00-00 | SLEEVE, DRIVE SHAFT        | 1        |         |
| 5              | 663-45587-01-12 | SHIM (T:0.12MM)            | 1        | UR      |
| 5              | 663-45587-01-10 | SHIM (T:0.10MM)            | 1        | UR      |
| 5              | 663-45587-01-15 | SHIM (T:0.15MM)            | 1        | UR      |
| 5              | 663-45587-01-50 | SHIM (T:0.50MM)            | 1        | UR      |
| 5              | 663-45587-01-40 | SHIM (T:0.40MM)            | 1        | UR      |
| 5              | 663-45587-01-18 | SHIM (T:0.18MM)            | 1        | UR      |
| 5              | 663-45587-01-30 | SHIM (T:0.30MM)            | 1        | UR      |
| 6              | 93332-00001-00  | BEARING                    | 1        |         |
| 7              | 90340-08002-00  | PLUG, STRAIGHT SCREW       | 1        |         |
| 8              | 90430-08020-00  | .GASKET                    | 2        |         |
| 9              | 688-45341-10-00 | PLUG, DRAIN                | 1        |         |
| 10             | 63D-45214-00-00 | COVER, WATER INLET 1       | 1        |         |
| 11             | 63D-45215-00-00 | COVER, WATER INLET 2       | 1        |         |
| 12             | 90142-05M06-00  | SCREW, COUNTERSUNK         | 1        |         |
| 13             | 95380-05600-00  | NUT                        | 1        |         |
| 14             | 63D-45321-00-00 | PLATE                      | 1        |         |
| 15             | 93106-09014-00  | .OIL SEAL                  | 1        |         |
| 16             | 93210-33MG4-00  | .O-RING                    | 1        |         |
| 17             | 6E5-45378-00-00 | NIPPLE, HOSE               | 1        |         |
| 18             | 90445-07ME8-00  | HOSE (L80)                 | 1        |         |
| 19             | 6E5-83558-10-00 | END, NIPPLE                | 1        |         |
| 20             | 90465-11M10-00  | CLAMP                      | 2        |         |
| 21             | 63D-44311-00-00 | HOUSING, WATER PUMP        | 1        |         |
| 22             | 63D-44322-00-00 | .INSERT, CARTRIDGE         | 1        |         |
| 23             | 6H3-44352-00-00 | .IMPELLER                  | 1        |         |
| 24             | 93210-59MG7-00  | .O-RING                    | 1        |         |
| 25             | 90280-03024-00  | .KEY, WOODRUFF             | 1        |         |
| 26             | 63D-44323-00-00 | .OUTER PLATE, CARTRIDGE    | 1        |         |
| 27             | 63D-44316-00-00 | .GASKET, WATER PUMP        | 1        |         |
| 28             | 93604-08062-00  | PIN, DOWEL                 | 2        |         |
| 29             | 90119-08M15-00  | .BOLT, WITH WASHER         | 4        |         |
| 30             | 63D-W4434-00-00 | WATER PUMP HOUSING<br>ASSY | 1        |         |
| 31             | 63D-44341-00-00 | .HOUSING, WATER PUMP       | 1        |         |
| 32             | 93101-25M57-00  | .OIL SEAL                  | 2        |         |
| 33             | 93210-48MG8-00  | .O-RING                    | 1        |         |
| 34             | 63D-45344-00-00 | COVER, OIL SEAL            | 1        |         |
| 35             | 90201-27M00-00  | WASHER, PLATE              | 1        |         |
| 36             | 69W-45501-00-00 | DRIVE SHAFT COMP.          | 1        |         |
| 37             | 69W-45551-00-00 | PINION (13T)               | 1        |         |
| 38             | 90170-12138-00  | NUT                        | 1        |         |
| 39             | 69W-45560-00-00 | GEAR 1 (24T)               | 1        |         |
| 40             | 93332-00092-00  | BEARING                    | 1        |         |
| 41             | 663-45567-01-10 | SHIM (T:0.10MM)            | 1        | UR      |
| 41             | 663-45567-01-12 | SHIM (T:0.12MM)            | 1        | UR      |
| 41             | 663-45567-01-15 | SHIM (T:0.15MM)            | 1        | UR      |
| 41             | 663-45567-01-18 | SHIM (T:0.18MM)            | 1        | UR      |
| 41             | 663-45567-01-30 | SHIM (T:0.30MM)            | 1        | UR      |
| 41             | 663-45567-01-40 | SHIM (T:0.40MM)            | 1        | UR      |
| 41             | 663-45567-01-50 | SHIM (T:0.50MM)            | 1        | UR      |
| 42             | 62Y-45571-00-00 | GEAR 2 (24T)               | 1        |         |
| 43             | 63D-45361-02-4D | CAP, LOWER CASING          | 1        |         |
| 44             | 90105-08M61-00  | BOLT, FLANGE               | 2        |         |
| 45             | 93306-001U1-00  | BEARING                    | 1        |         |
| 46             | 63D-45577-00-10 | SHIM (T:0.10MM)            | 1        | UR      |
| 46             | 63D-45577-00-12 | SHIM (T:0.12MM)            | 1        | UR      |
| 46             | 63D-45577-00-15 | SHIM (T:0.15MM)            | 1        | UR      |
| 46             | 63D-45577-00-18 | SHIM (T:0.18MM)            | 1        | UR      |

|    |                 |                     |   |    |
|----|-----------------|---------------------|---|----|
| 46 | 63D-45577-00-30 | SHIM (T:0.30MM)     | 1 | UR |
| 46 | 63D-45577-00-40 | SHIM (T:0.40MM)     | 1 | UR |
| 46 | 63D-45577-00-50 | SHIM (T:0.50MM)     | 1 | UR |
| 47 | 93210-74MG5-00  | .O-RING             | 2 |    |
| 48 | 93210-69MG6-00  | .O-RING             | 1 |    |
| 49 | 93317-22204-00  | BEARING             | 1 |    |
| 50 | 93101-22M00-00  | .OIL SEAL           | 2 |    |
| 51 | 62Y-44151-00-00 | CAM, SHIFT          | 1 |    |
| 52 | 63D-44144-00-00 | ROD, SHIFT          | 1 |    |
| 53 | 93210-07003-00  | .O-RING             | 1 |    |
| 54 | 99001-08600-00  | CIRCLIP             | 1 |    |
| 55 | 63D-45611-00-00 | SHAFT, PROPELLER    | 1 |    |
| 56 | 90201-22008-00  | WASHER, PLATE       | 1 |    |
| 57 | 62Y-45631-00-00 | CLUTCH, DOG         | 1 |    |
| 58 | 663-45634-00-00 | SLIDE, SHIFT        | 1 |    |
| 59 | 90501-18001-00  | SPRING, COMPRESSION | 1 |    |
| 60 | 63D-45635-00-00 | PLUNGER, SHIFT      | 1 |    |
| 61 | 90250-06023-00  | PIN, STRAIGHT       | 1 |    |
| 62 | 67C-45633-00-00 | RING, CROSS PIN     | 1 |    |

Part Notes

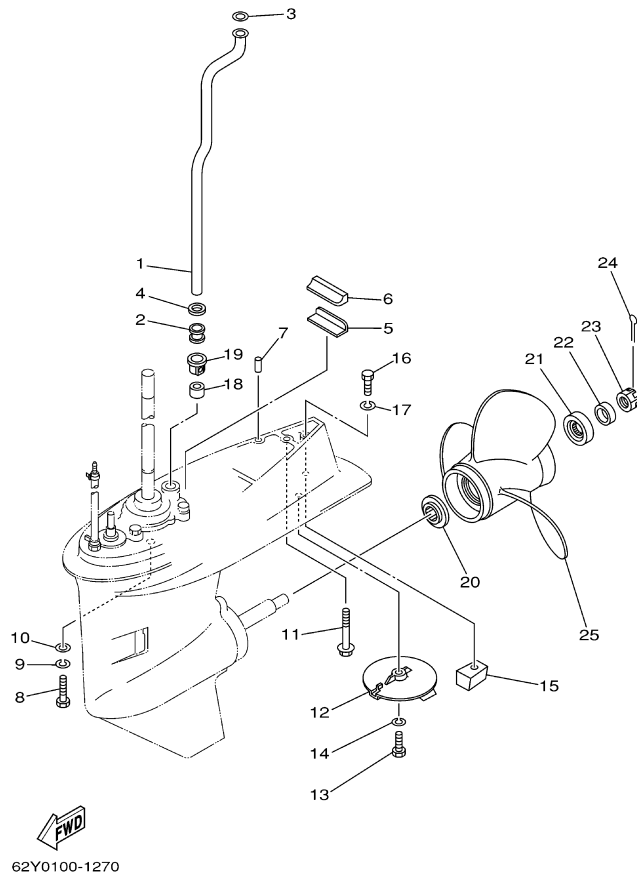
F60TLRA 2002 / LOWER CASING DRIVE 1

| PART NUMBER     |   | NOTE TEXT  |
|-----------------|---|--|
| 90430-08020-00  |  | OEM: This part number is among the Top 100 Most Popular Marine Maintenance Parts as of March 2014. |
| 93106-09014-00  |  | OEM: This part number is among the Top 100 Most Popular Marine Maintenance Parts as of March 2014. |
| 6H3-44352-00-00 |  | OEM: This part number is among the Top 100 Most Popular Marine Maintenance Parts as of March 2014. |

©2014 Yamaha Motor Corporation, U.S.A. All rights reserved.



F60TLRA 2002 / LOWER CASING DRIVE 2



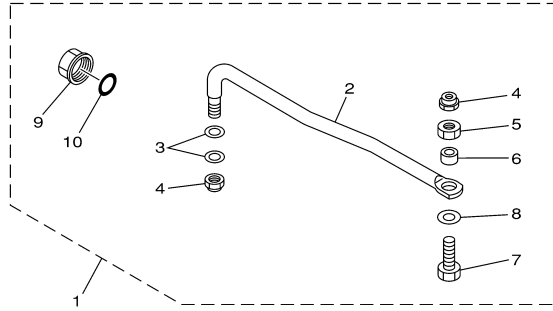
©2014 Yamaha Motor Corporation, U.S.A. All rights reserved.

## Part List

F60TLRA 2002 / LOWER CASING DRIVE 2

| REF<br>-<br>NO | PART<br>NUMBER  | PART NAME                       | QUANTITY | REMARKS         |
|----------------|-----------------|---------------------------------|----------|-----------------|
| 1              | 62Y-44361-00-00 | TUBE, WATER 1                   | 1        |                 |
| 2              | 663-44367-00-00 | DAMPER, WATER SEAL 3            | 1        |                 |
| 3              | 90202-12060-00  | WASHER, PLATE                   | 1        |                 |
| 4              | 90430-12072-00  | GASKET                          | 1        |                 |
| 5              | 663-45376-00-94 | GUIDE, SEAL DAMPER              | 1        |                 |
| 6              | 63D-45375-00-00 | DAMPER, SEAL                    | 1        |                 |
| 7              | 93606-12019-00  | .PIN, DOWEL                     | 2        |                 |
| 8              | 97075-10040-00  | BOLT                            | 4        |                 |
| 9              | 92995-10100-00  | WASHER                          | 4        |                 |
| 10             | 92995-10600-00  | WASHER                          | 4        |                 |
| 11             | 90119-08M84-00  | BOLT, WITH WASHER               | 1        |                 |
| 12             | 67C-45371-00-00 | TAB-TRIM                        | 1        |                 |
| 13             | 97095-08025-00  | BOLT                            | 1        |                 |
| 14             | 92995-08100-00  | WASHER                          | 1        |                 |
| 15             | 67C-45251-00-00 | ANODE                           | 1        |                 |
| 16             | 97095-08035-00  | BOLT                            | 1        |                 |
| 17             | 92995-08100-00  | WASHER                          | 1        |                 |
| 18             | 663-44366-00-00 | .DAMPER, WATER SEAL 2           | 1        |                 |
| 19             | 63D-44312-00-00 | .COVER, WATER PUMP<br>HOUSING   | 1        |                 |
| 20             | 663-45987-02-00 | SPACER 1                        | 1        |                 |
| 21             | 66T-45997-00-00 | SPACER 2                        | 1        |                 |
| 22             | 90389-22M01-00  | BUSH                            | 1        |                 |
| 23             | 90171-16011-00  | NUT, CASTLE                     | 1        |                 |
| 24             | 91490-30025-00  | PIN. COTTER                     | 1        |                 |
| 25             | 663-45974-60-98 | PROPELLER (3X11-1/2"X13"-<br>G) | 1        | UR              |
| 25             | 663-45976-00-98 | PROPELLER (3X10-1/4"X15"-<br>G) | 1        | UR              |
| 25             | 663-45978-00-98 | PROPELLER (3X10-1/4"X16"-<br>G) | 1        | UR              |
| 25             | 663-45930-00-98 | PROPELLER (3X10-1/4"X14"-<br>G) | 1        | UR              |
| 25             | 663-45974-02-98 | PROPELLER (3X10-5/8"X13"-<br>G) | 1        | UR              |
| 25             | 663-45954-01-EL | PROPELLER (3X11-3/4"X10"-<br>G) | 1        | UR              |
| 25             | 69W-45943-00-EL | PROPELLER (3X11"X15"-G)         | 1        | UR              |
| 25             | 663-45972-60-98 | PROPELLER (3X12"X11"-G)         | 1        | UR              |
| 25             | 663-45970-60-98 | PROPELLER (3X11-3/4"X12"-<br>G) | 1        | UR              |
| 25             | 663-45956-01-EL | PROPELLER (3X12-1/4"X9"-<br>G)  | 1        | UR              |
| 25             | 6H5-45952-00-EL | PROPELLER (3X10-3/8X13"-<br>G)  | 1        | UR WITH LIP CUP |
| 25             | 663-45949-01-EL | PROPELLER (3X10-3/4"X16"-<br>G) | 1        | UR              |
| 25             | 663-45947-02-EL | PROPELLER (3X11-5/8"X11"-<br>G) | 1        | UR              |
| 25             | 6H5-45943-00-EL | PROPELLER (3X10"X15"-G)         | 1        | UR WITH LIP CUP |
| 25             | 6H5-45945-00-EL | PROPELLER (3X10-5/8X12"-<br>G)  | 1        | UR WITH LIP CUP |

F60TLRA 2002 / STEERING GUIDE



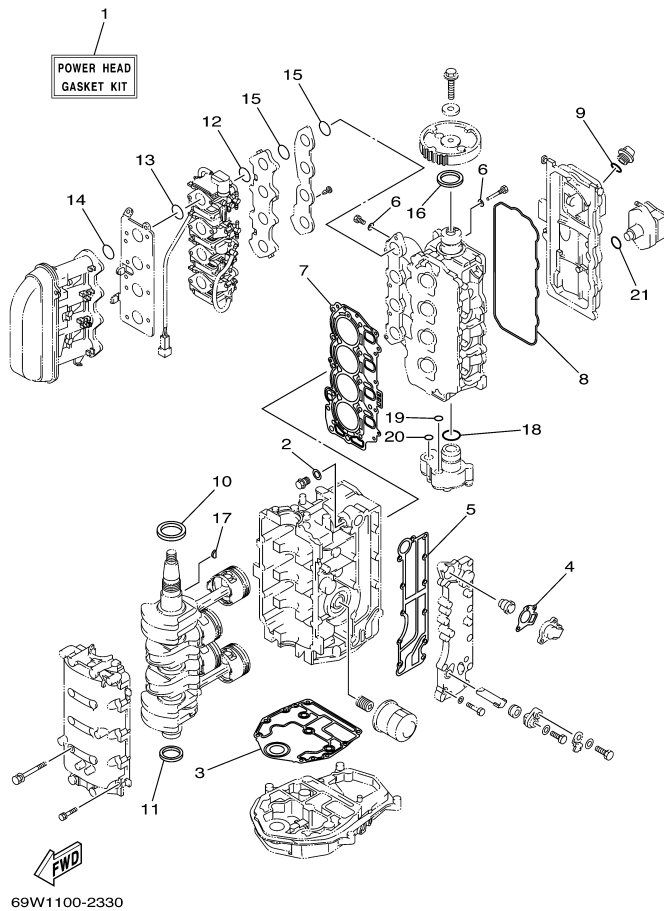
65W0010-8210

## Part List

F60TLRA 2002 / STEERING GUIDE

| REF<br>-<br>NO | PART<br>NUMBER  | PART NAME                        | QUANTITY | REMARKS |
|----------------|-----------------|----------------------------------|----------|---------|
| 1              | 65W-61350-00-00 | STEERING GUIDE<br>ATTACHMENT KIT | 1        | AP      |
| 2              | 65W-61351-00-00 | .ROD, STEERING LINK              | 1        |         |
| 3              | 90201-10M20-00  | .WASHER, PLATE                   | 2        |         |
| 4              | 90185-09M01-00  | .NUT, SELF-LOCKING               | 2        |         |
| 5              | 90170-09M03-00  | .NUT                             | 1        |         |
| 6              | 90387-10M42-00  | .COLLAR                          | 1        |         |
| 7              | 90101-09M01-00  | .BOLT                            | 1        |         |
| 8              | 90201-10M63-00  | .WASHER, PLATE                   | 1        |         |
| 9              | 6E5-43145-01-00 | .CAP, CLAMP BRACKET              | 1        |         |
| 10             | 93210-16275-00  | .O-RING                          | 1        |         |

F60TLRA 2002 / REPAIR KIT 1



©2014 Yamaha Motor Corporation, U.S.A. All rights reserved.


Part List

F60TLRA 2002 / REPAIR KIT 1

| REF - NO | PART NUMBER     | PART NAME                    | QUANTITY | REMARKS |
|----------|-----------------|------------------------------|----------|---------|
| 1        | 69W-W0001-00-00 | POWER HEAD GASKET KIT        | 1        |         |
| 2        | 90430-14115-00  | .GASKET                      | 1        |         |
| 3        | 67C-11351-00-00 | .GASKET, CYLINDER            | 1        |         |
| 4        | 62Y-12414-00-00 | .GASKET, COVER               | 1        |         |
| 5        | 62Y-41114-00-00 | .GASKET, EXHAUST OUTER COVER | 1        |         |
| 6        | 90430-06014-00  | .GASKET                      | 5        |         |
| 7        | 69W-11181-00-00 | .GASKET, CYLINDER HEAD 1     | 1        |         |
| 8        | 62Y-11356-00-00 | .SEAL, CYLINDER 2            | 1        |         |
| 9        | 93210-24M79-00  | .O-RING                      | 1        |         |
| 10       | 93102-43M42-00  | .OIL SEAL                    | 1        |         |
| 11       | 93101-35002-00  | .OIL SEAL                    | 1        |         |
| 12       | 69W-14561-00-00 | .O-RING                      | 4        |         |
| 13       | 93210-35M86-00  | .O-RING                      | 4        |         |
| 14       | 93210-38MH3-00  | .O-RING                      | 4        |         |
| 15       | 93210-35M86-00  | .O-RING                      | 8        |         |
| 16       | 93102-37M40-00  | .OIL SEAL                    | 1        |         |
| 17       | 90280-04M06-00  | .KEY, WOODRUFF               | 1        |         |
| 18       | 93210-33MH2-00  | .O-RING                      | 1        |         |
| 19       | 93210-12MG9-00  | .O-RING                      | 1        |         |
| 20       | 93210-14515-00  | .O-RING                      | 1        |         |
| 21       | 93210-24M79-00  | .O-RING                      | 1        |         |

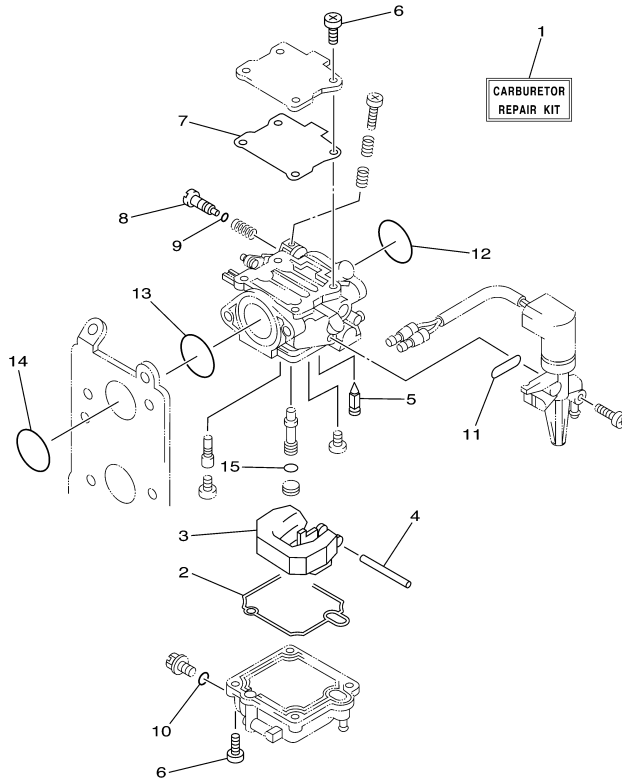
Part Notes

F60TLRA 2002 / REPAIR KIT 1

| PART NUMBER   | NOTE TEXT  |
|---|--|
| 62Y-12414-00-00  | OEM: This part number is among the Top 100 Most Popular Marine Maintenance Parts as of March 2014. |

©2014 Yamaha Motor Corporation, U.S.A. All rights reserved.

F60TLRA 2002 / REPAIR KIT 2



69W1100-2340

©2014 Yamaha Motor Corporation, U.S.A. All rights reserved.

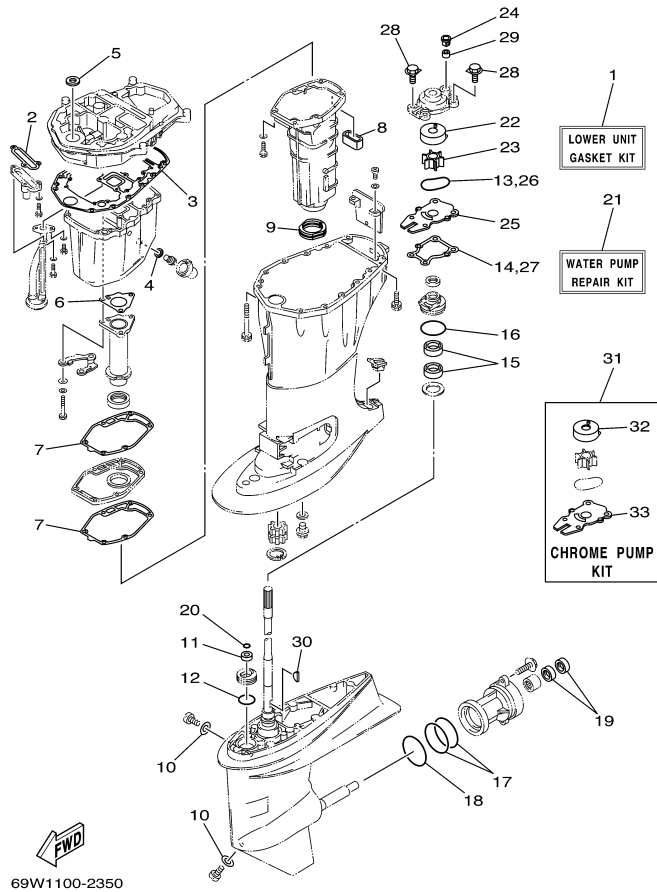
## Part List

F60TLRA 2002 / REPAIR KIT 2

| REF<br>-<br>NO | PART<br>NUMBER  | PART NAME              | QUANTITY | REMARKS |
|----------------|-----------------|------------------------|----------|---------|
| 1              | 69W-W0093-10-00 | CARBURETOR REPAIR KIT  | 1        |         |
| 2              | 69W-14384-00-00 | .GASKET, FLOAT CHAMBER | 1        |         |
| 3              | 6L2-14385-00-00 | .FLOAT                 | 1        |         |
| 4              | 6E5-14386-01-00 | .PIN, FLOAT            | 1        |         |
| 5              | 62Y-14392-00-00 | .VALVE, NEEDLE         | 1        |         |
| 6              | 62Y-14321-00-00 | .SCREW, THROTTLE       | 8        |         |
| 7              | 69W-14399-00-00 | .VALVE, BIMETAL        | 1        |         |
| 8              | 69W-14323-00-00 | .SCREW, AIR ADJUSTING  | 1        |         |
| 9              | 2T4-14397-00-00 | .O-RING                | 1        |         |
| 10             | 652-14397-00-00 | .O-RING                | 1        |         |
| 11             | 62Y-14398-30-00 | .GASKET                | 1        |         |
| 12             | 69W-14561-00-00 | .O-RING                | 4        |         |
| 13             | 93210-35M86-00  | .O-RING                | 4        |         |
| 14             | 93210-38MH3-00  | .O-RING                | 4        |         |
| 15             | 62Y-14227-00-00 | .WASHER                | 4        |         |



F60TLRA 2002 / REPAIR KIT 3



©2014 Yamaha Motor Corporation, U.S.A. All rights reserved.






Part List

F60TLRA 2002 / REPAIR KIT 3

| REF - NO | PART NUMBER     | PART NAME                   | QUANTITY | REMARKS |
|----------|-----------------|-----------------------------|----------|---------|
| 1        | 69W-W0001-20-00 | LOWER UNIT GASKET KIT       | 1        |         |
| 2        | 62Y-13475-00-00 | .GASKET                     | 1        |         |
| 3        | 69W-15312-00-00 | .GASKET, OIL PAN            | 1        |         |
| 4        | 90430-14M09-00  | .GASKET                     | 1        |         |
| 5        | 93103-18011-00  | .OIL SEAL                   | 1        |         |
| 6        | 64J-41133-10-00 | .GASKET, EXHAUST MANIFOLD 1 | 1        |         |
| 7        | 62Y-41134-01-00 | .GASKET, EXHAUST MANIFOLD   | 2        |         |
| 8        | 62Y-45127-00-00 | .SEAL                       | 1        |         |
| 9        | 67C-45123-00-00 | .GASKET, MUFFLER            | 1        |         |
| 10       | 90430-08020-00  | .GASKET                     | 2        |         |
| 11       | 93106-09014-00  | .OIL SEAL                   | 1        |         |
| 12       | 93210-33MG4-00  | .O-RING                     | 1        |         |
| 13       | 93210-59MG7-00  | .O-RING                     | 1        |         |
| 14       | 63D-44316-00-00 | .GASKET, WATER PUMP         | 1        |         |
| 15       | 93101-25M57-00  | .OIL SEAL                   | 2        |         |
| 16       | 93210-48MG8-00  | .O-RING                     | 1        |         |
| 17       | 93210-74MG5-00  | .O-RING                     | 2        |         |
| 18       | 93210-69MG6-00  | .O-RING                     | 1        |         |
| 19       | 93101-22M00-00  | .OIL SEAL                   | 2        |         |
| 20       | 93210-07003-00  | .O-RING                     | 1        |         |
| 21       | 63D-W0078-01-00 | WATER PUMP REPAIR KIT       | 1        |         |
| 22       | 63D-44322-00-00 | .INSERT, CARTRIDGE          | 1        |         |
| 23       | 6H3-44352-00-00 | .IMPELLER                   | 1        |         |
| 24       | 63D-44312-00-00 | .COVER, WATER PUMP HOUSING  | 1        |         |
| 25       | 63D-44323-00-00 | .OUTER PLATE, CARTRIDGE     | 1        |         |
| 26       | 93210-59MG7-00  | .O-RING                     | 1        |         |
| 27       | 63D-44316-00-00 | .GASKET, WATER PUMP         | 1        |         |
| 28       | 90119-08M15-00  | .BOLT, WITH WASHER          | 4        |         |
| 29       | 663-44366-00-00 | .DAMPER, WATER SEAL 2       | 1        |         |
| 30       | 90280-03024-00  | .KEY, WOODRUFF              | 1        |         |
| 31       | 63D-W0078-0A-00 | CHROME PUMP KIT             | 1        |         |
| 32       | 63D-44322-40-00 | .INSERT, CARTRIDGE          | 1        |         |
| 33       | 63D-44323-40-00 | .OUTER PLATE, CARTRIDGE     | 1        |         |

Part Notes

F60TLRA 2002 / REPAIR KIT 3

| PART NUMBER     |   | NOTE TEXT  |
|-----------------|---|--|
| 90430-14M09-00  |  | OEM: This part number is among the Top 100 Most Popular Marine Maintenance Parts as of March 2014. |
| 90430-08020-00  |  | OEM: This part number is among the Top 100 Most Popular Marine Maintenance Parts as of March 2014. |
| 93106-09014-00  |  | OEM: This part number is among the Top 100 Most Popular Marine Maintenance Parts as of March 2014. |
| 63D-W0078-01-00 |  | OEM: This part number is among the Top 100 Most Popular Marine Maintenance Parts as of March 2014. |
| 6H3-44352-00-00 |  | OEM: This part number is among the Top 100 Most Popular Marine Maintenance Parts as of March 2014. |

©2014 Yamaha Motor Corporation, U.S.A. All rights reserved.

©2014 Yamaha Motor Corporation, U.S.A. All rights reserved.