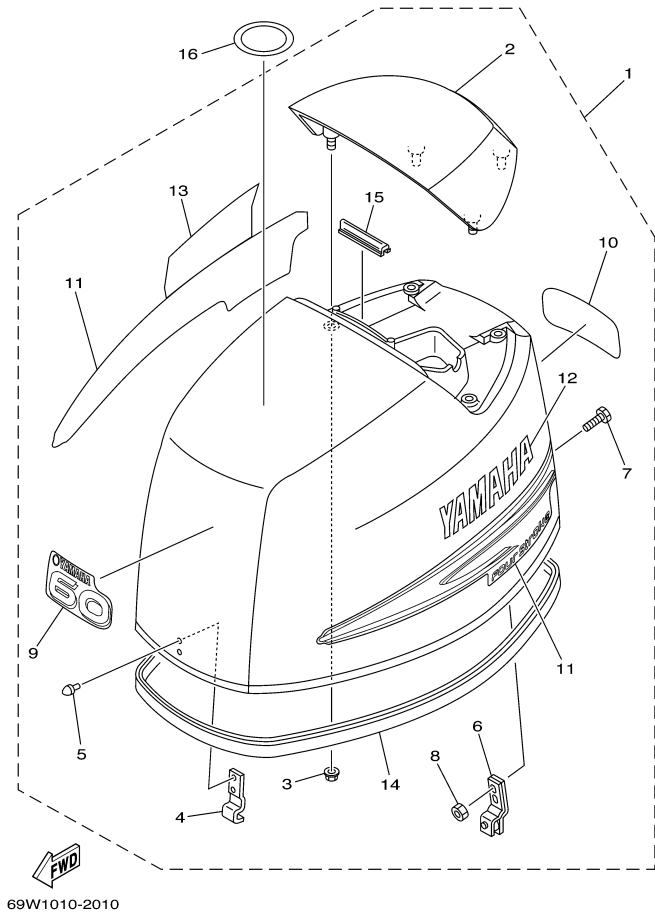


F60TJRB 2003 / TOP COWLING



©2014 Yamaha Motor Corporation, U.S.A. All rights reserved.



Part List

F60TJRB 2003 / TOP COWLING

REF - NO	PART NUMBER	PART NAME	QUANTITY	REMARKS
1	69W-42610-A0-4D	TOP COWLING ASSY	1	F60TJR
1	69W-42610-00-4D	TOP COWLING ASSY	1	
2	67C-42613-00-4D	.MOLDING, AIR DUCT	1	
3	90179-06M24-00	.NUT	4	
4	62Y-42651-00-00	.HOOK	1	
5	90266-06M02-00	.RIVET	2	
6	67C-42652-00-00	.HOOK	1	
7	90109-06047-00	.BOLT	2	
8	95680-06100-00	.NUT, U	2	
9	69W-42677-A0-00	.GRAPHIC, FRONT	1	F60TJR
9	69W-42677-00-00	.GRAPHIC, FRONT	1	
10	69W-42678-A0-00	.GRAPHIC, REAR	1	F60TJR
10	69W-42678-00-00	.GRAPHIC, REAR	1	
11	69W-W0070-00-00	.GRAPHIC SET	1	
12	69W-42681-00-00	.MARK, COWLING	1	
13	69W-42682-00-00	.MARK, COWLING	1	
14	69W-42615-00-00	.SEAL	1	
15	61N-42628-00-00	.SEAL	1	
16	67F-13434-02-00	LABEL, CAUTION	1	

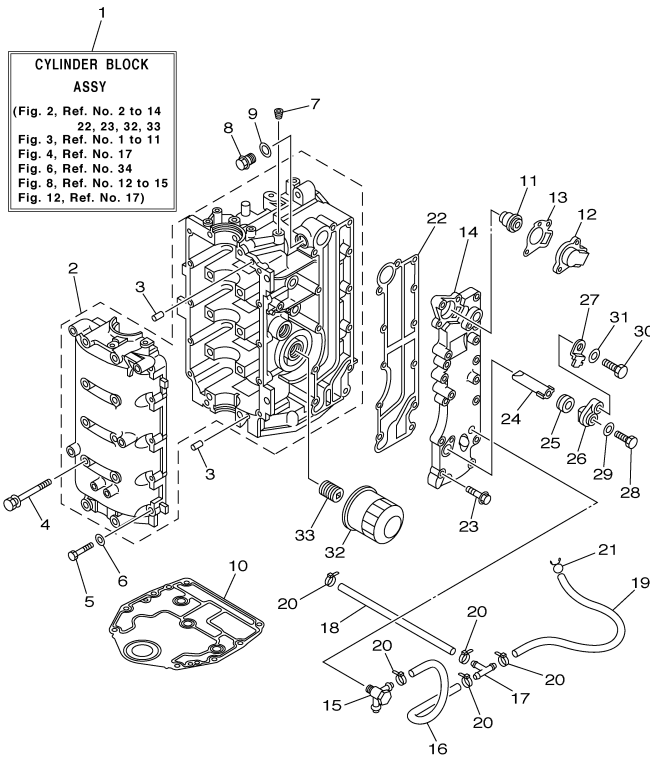
Part Notes

F60TJRB 2003 / TOP COWLING

PART NUMBER	NOTE TEXT
69W-42677-00-00 	OEM: The rear graphic correctly supersedes to this part. To match the original graphic, trim the word "Yamaha" from the front graphic.
69W-42678-00-00 	OEM: This part is discontinued and supersedes to the front graphic part number. To match the original graphic, trim the word "Yamaha" from the front graphic.

©2014 Yamaha Motor Corporation, U.S.A. All rights reserved.

F60TJRB 2003 / CYLINDER CRANKCASE 1




69W2100-3020


Part List

F60TJRB 2003 / CYLINDER CRANKCASE 1

REF - NO	PART NUMBER	PART NAME	QUANTITY	REMARKS
1	69W-W009B-00-1S	CYLINDER BLOCK ASSY	1	
2	69W-15100-00-1S	CRANKCASE ASSY	1	
3	93606-12019-00	.PIN, DOWEL	4	
4	90119-08M01-00	BOLT, WITH WASHER	10	
5	97013-06035-00	BOLT	10	
6	92903-06600-00	WASHER, PLATE	10	
7	90344-51003-00	PLUG, TAPER SCREW	1	
8	90340-14M06-00	PLUG, STRAIGHT SCREW	1	
9	90430-14115-00	.GASKET	1	
10	67C-11351-00-00	.GASKET, CYLINDER	1	
11	6G8-12411-02-00	THERMOSTAT	1	
12	6H3-12413-00-1S	COVER, THERMOSTAT	1	
13	62Y-12414-00-00	.GASKET, COVER	1	
14	62Y-41113-20-1S	OUTER COVER, EXHAUST	1	
15	62Y-11372-01-00	NIPPLE, HOSE	1	FLUSHING KIT
16	90445-09068-00	HOSE (L110)	1	
17	688-24378-00-00	PIPE, JOINT 3	1	
18	90445-09095-00	HOSE (L215)	1	
19	90445-09105-00	HOSE (L300)	1	
20	90465-11M10-00	CLAMP	5	
21	90467-08M18-00	CLIP	1	
22	62Y-41114-00-00	GASKET, EXHAUST OUTER COVER	1	
23	90119-06MA5-00	BOLT, WITH WASHER	12	
24	62Y-11325-00-00	ANODE	1	
25	66M-11328-00-00	GROMMET, ANODE	1	
26	66M-11327-00-94	COVER, ANODE	1	
27	66M-12535-00-00	PLATE	1	
28	97095-05012-00	BOLT	1	
29	92995-05600-00	WASHER	1	
30	97095-06020-00	BOLT	1	
31	92995-06600-00	WASHER	1	
32	5GH-13440-00-00	ELEMENT ASSY, OIL CLEANER	1	
33	90401-20M00-00	BOLT, UNION	1	

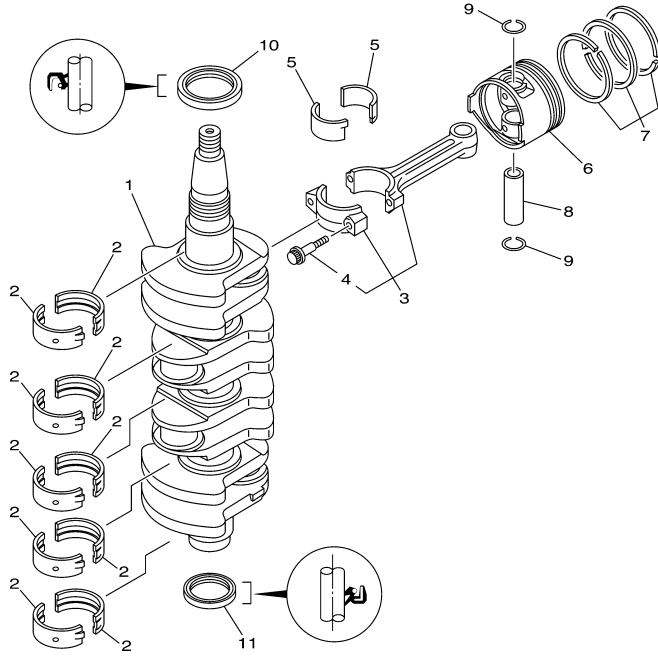
Part Notes

F60TJRB 2003 / CYLINDER CRANKCASE 1

PART NUMBER	NOTE TEXT
62Y-12414-00-00 	OEM: This part number is among the Top 100 Most Popular Marine Maintenance Parts as of March 2014.

©2014 Yamaha Motor Corporation, U.S.A. All rights reserved.

F60TJRB 2003 / CRANKSHAFT PISTON



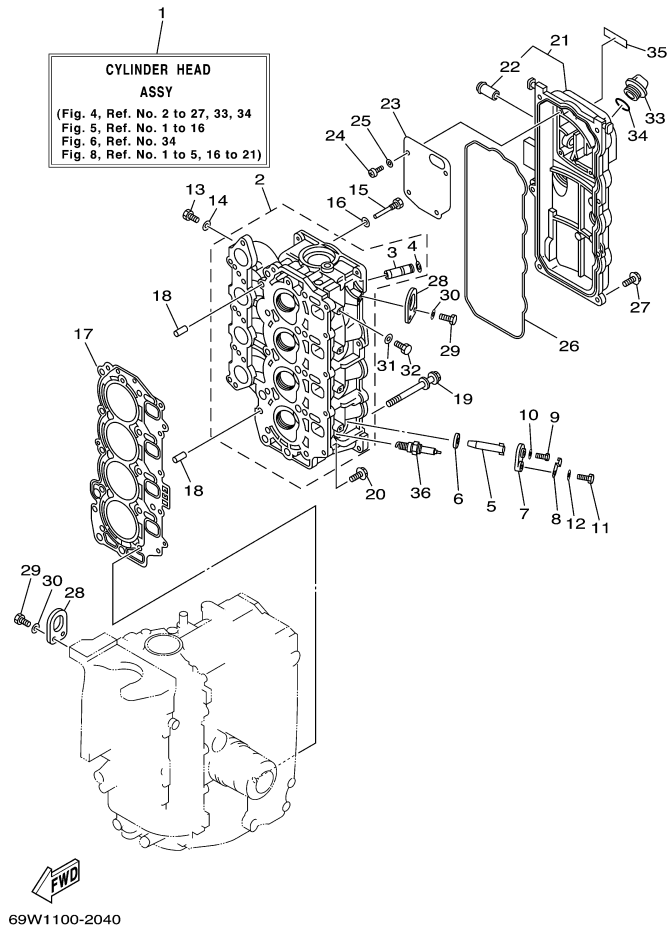

69W1010-2030

Part List

F60TJRB 2003 / CRANKSHAFT PISTON

REF - NO	PART NUMBER	PART NAME	QUANTITY	REMARKS
1	69W-11411-00-00	CRANKSHAFT	1	
2	62Y-11416-30-00	PLANE BEARING, CRANKSHAFT 1	10	UR YELLOW
2	62Y-11416-60-00	PLANE BEARING, CRANKSHAFT 1	10	UR GREEN
2	62Y-11416-50-00	PLANE BEARING, CRANKSHAFT 1	10	UR PINK
2	62Y-11416-40-00	PLANE BEARING, CRANKSHAFT 1	10	UR RED
3	62Y-11650-10-00	CONNECTING ROD ASSY	4	
4	62Y-11654-00-00	.BOLT, CONNECTING ROD	2	
5	62Y-11656-30-00	PLANE BEARING, CONNECTING ROD	8	UR YELLOW
5	62Y-11656-60-00	PLANE BEARING, CONNECTING ROD	8	UR GREEN
5	62Y-11656-50-00	PLANE BEARING, CONNECTING ROD	8	UR PINK
5	62Y-11656-40-00	PLANE BEARING, CONNECTING ROD	8	UR RED
6	69W-11631-00-97	PISTON (STD)	4	
6	69W-11636-00-00	PISTON (0.50MM O/S)	4	AP
6	69W-11635-00-00	PISTON (0.25MM O/S)	4	AP
7	67C-11603-00-00	PISTON RING SET (STD)	4	
7	67C-11604-00-00	PISTON RING SET (0.25MM O/S)	4	AP
7	67C-11605-00-00	PISTON RING SET (0.50MM O/S)	4	AP
8	62Y-11633-00-00	PIN, PISTON	4	
9	93450-17129-00	CIRCLIP	8	
10	93102-43M42-00	.OIL SEAL	1	
11	93101-35002-00	.OIL SEAL	1	

F60TJRB 2003 / CYLINDER CRANKCASE 2



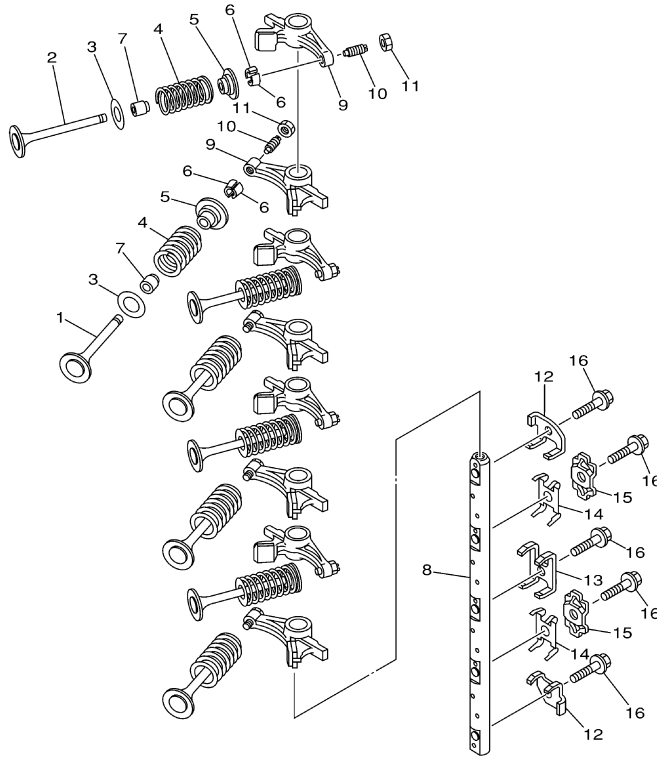
©2014 Yamaha Motor Corporation, U.S.A. All rights reserved.

Part List

F60TJRB 2003 / CYLINDER CRANKCASE 2

REF - NO	PART NUMBER	PART NAME	QUANTITY	REMARKS
1	69W-W009A-00-1S	CYLINDER HEAD COMPLETE	1	
2	69W-11111-00-1S	HEAD, CYLINDER 1	1	
3	62Y-11133-30-00	.GUIDE, VALVE 1	8	
4	93450-09M01-00	.CIRCLIP	8	
5	62Y-11325-00-00	ANODE	4	
6	66M-11328-00-00	GROMMET, ANODE	4	
7	66M-11327-00-94	COVER, ANODE	4	
8	66M-12535-00-00	PLATE	4	
9	97095-05012-00	BOLT	4	
10	92995-05600-00	WASHER	4	
11	97095-06020-00	BOLT	4	
12	92995-06600-00	WASHER	4	
13	97095-06010-00	BOLT	4	
14	90430-06014-00	.GASKET	4	
15	90109-06M65-00	BOLT	1	
16	90430-06014-00	.GASKET	1	
17	69W-11181-00-00	.GASKET, CYLINDER HEAD 1	1	
18	99530-08012-00	PIN, DOWEL	2	
19	90119-09M00-00	BOLT, WITH WASHER	10	
20	90119-06MA3-00	BOLT, WITH WASHER	5	
21	62Y-11191-01-1S	COVER, CYLINDER HEAD 1	1	
22	62Y-14485-00-00	.PIPE, JOINT	1	
23	62Y-11168-00-00	COVER, BREATHER	1	
24	98507-04010-00	SCREW, PAN HEAD	4	
25	92907-04600-00	WASHER	4	
26	62Y-11356-00-00	.SEAL, CYLINDER 2	1	
27	97595-06520-00	BOLT, WITH WASHER	7	
28	62Y-11119-00-00	HANGER, ENGINE	2	
29	97095-06020-00	BOLT	4	
30	92995-06600-00	WASHER	4	
31	90430-08143-00	GASKET	4	
32	97095-08014-00	BOLT	4	
33	6G8-15363-00-00	PLUG, OIL	1	
34	93210-24M79-00	.O-RING	1	
35	62Y-12138-40-00	MARK, CAUTION	1	
36	NGK-DPR5E-A9-00	PLUG, SPARK (NGK DPR5EA-9)	4	

F60TJRB 2003 / VALVE



62Y1010-2050

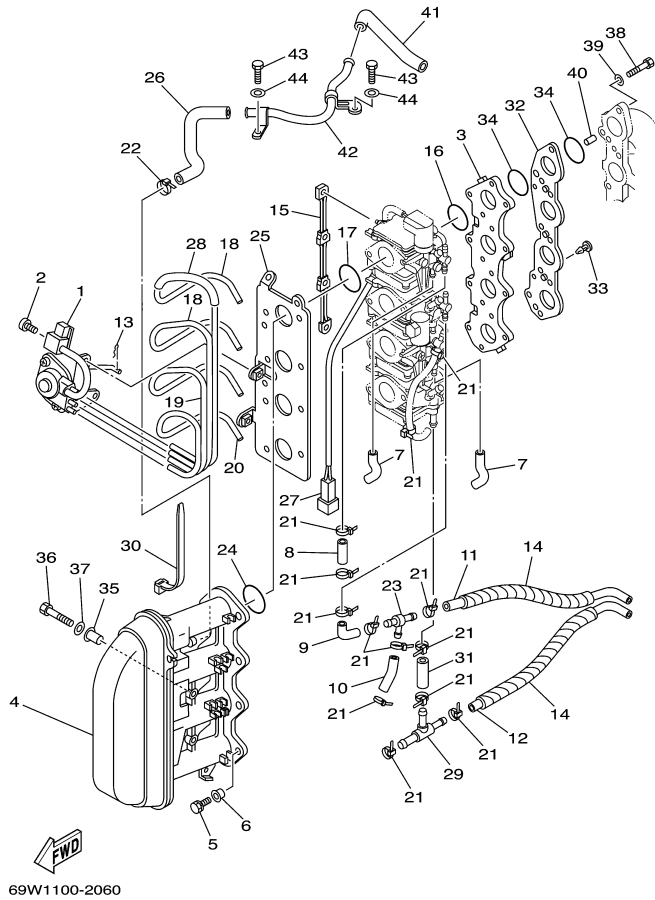
©2014 Yamaha Motor Corporation, U.S.A. All rights reserved.

Part List

F60TJRB 2003 / VALVE

REF - NO	PART NUMBER	PART NAME	QUANTITY	REMARKS
1	69W-12111-00-00	VALVE, INTAKE	4	
2	69W-12121-00-00	VALVE, EXHAUST	4	
3	62Y-12116-00-00	SEAT, VALVE SPRING	8	
4	51Y-12114-00-00	SPRING, VALVE OUTER	8	
5	30X-12117-00-00	RETAINER, VALVE SPRING	8	
6	30X-12118-00-00	LOCK, VALVE SPRING RETAINER	16	
7	51Y-12119-00-00	SEAL, VALVE STEM	8	
8	62Y-12146-00-00	SHAFT, ROCKER	1	
9	62Y-12151-00-00	ARM, VALVE ROCKER	8	
10	64J-12159-00-00	SCREW, VALVE ADJUSTING	8	
11	62Y-12158-00-00	NUT, LOCK	8	
12	62Y-12238-00-00	PLATE, BOLT STOPPER	2	
13	62Y-12279-00-00	PLATE	1	
14	62Y-12216-00-00	SPRING	2	
15	62Y-12231-00-00	GUIDE, STOPPER 1	2	
16	90109-08M63-00	BOLT	5	

F60TJRB 2003 / INTAKE



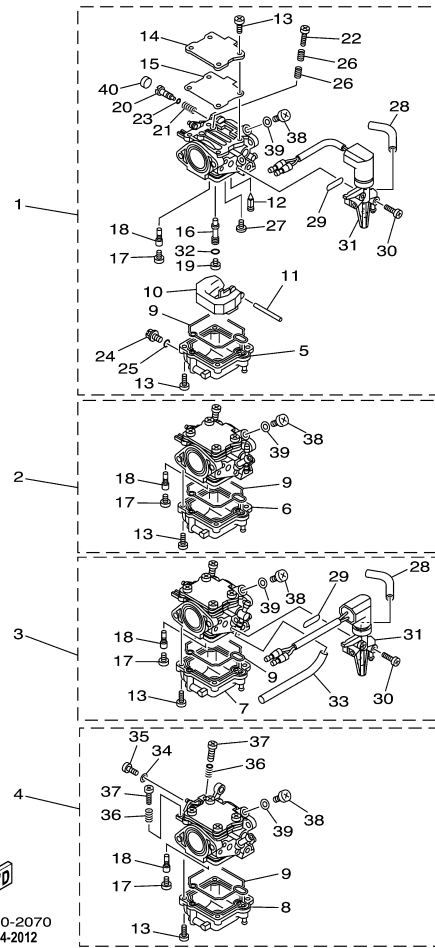
©2014 Yamaha Motor Corporation, U.S.A. All rights reserved.

Part List

F60TJRB 2003 / INTAKE

REF - NO	PART NUMBER	PART NAME	QUANTITY	REMARKS
1	69W-14369-00-00	DIAPHRAGM ASSY 2	1	
2	650-14327-01-00	SCREW	3	
3	69W-13586-00-00	JOINT, CARBURETOR 1	1	
4	69W-14440-00-00	SILENCER ASSY, INTAKE	1	
5	97595-06590-00	BOLT, WITH WASHER	8	
6	90387-06M70-00	COLLAR	8	
7	62Y-24312-00-00	PIPE 2	2	
8	62Y-24313-30-00	PIPE 3	1	
9	62Y-24313-40-00	PIPE 3	1	
10	62Y-24313-50-00	PIPE 3	1	
11	62Y-24313-61-00	PIPE 3	1	
12	62Y-24313-70-00	PIPE 3	1	
13	69W-23153-00-00	RING, SNAP	1	
14	69W-24313-80-00	PIPE 3	2	
15	64J-14585-00-00	ROD, CHOKE	1	
16	69W-14561-00-00	.O-RING	4	
17	93210-35M86-00	.O-RING	4	
18	64J-14349-11-00	PIPE	2	
19	69W-14349-00-00	PIPE	1	
20	69W-14349-10-00	PIPE	1	
21	90465-11M10-00	CLAMP	13	
22	90465-13M36-00	CLAMP	1	
23	62Y-24378-00-00	PIPE, JOINT 4	1	
24	93210-38MH3-00	O-RING	4	
25	62Y-14291-30-00	BRACKET 1	1	
26	62Y-1532B-00-00	PIPE, BREATHER	1	
27	69W-82509-00-00	WIRE, SUB LEAD	1	
28	64J-14349-40-00	PIPE	1	
29	62Y-24378-00-00	PIPE, JOINT 4	1	
30	62Y-82544-00-00	CLAMP	1	
31	62Y-24314-00-00	PIPE 4	1	
32	69W-14271-00-00	INSULATOR	1	
33	90338-04M17-00	.PLUG	2	
34	93210-35M86-00	.O-RING	8	
35	90387-06M15-00	COLLAR	2	
36	97095-06030-00	BOLT	2	
37	92995-06600-00	WASHER	2	
38	97095-06025-00	BOLT	8	
39	92995-06600-00	WASHER	8	
40	93608-16M16-00	PIN, DOWEL	2	
41	62Y-1531A-00-00	HOSE, BREATHER 1	1	
42	62Y-15373-10-00	PIPE, BREATHER	1	
43	97095-06016-00	BOLT	2	
44	92995-06600-00	WASHER	2	

F60TJRB 2003 / CARBURETOR



 69W1100-2070
Rev. 4-04-2012



Part List

F60TJRB 2003 / CARBURETOR

REF - NO	PART NUMBER	PART NAME	QUANTITY	REMARKS
1	69W-14901-11-00	CARBURETOR ASSY 1	1	
2	69W-14902-11-00	CARBURETOR ASSY 2	1	
3	69W-14903-11-00	CARBURETOR ASSY 3	1	
4	69W-14904-11-00	CARBURETOR ASSY 4	1	
5	69W-14381-00-00	.BODY, FLOAT CHAMBER	1	#1
6	69W-14381-10-00	.BODY, FLOAT CHAMBER	1	#2
7	69W-14381-20-00	.BODY, FLOAT CHAMBER	1	#3
8	69W-14381-30-00	.BODY, FLOAT CHAMBER	1	#4
9	69W-14384-00-00	.GASKET, FLOAT CHAMBER	4	
10	6L2-14385-00-00	.FLOAT	4	
11	6E5-14386-01-00	.PIN, FLOAT	4	
12	62Y-14392-00-00	.VALVE, NEEDLE	4	
13	62Y-14321-00-00	.SCREW, THROTTLE	32	
14	62Y-14157-30-00	.COVER, MIXING	4	
15	69W-14399-00-00	.VALVE, BIMETAL	4	
16	69W-14341-00-00	.NOZZLE, MAIN	4	
17	69W-14343-62-00	.JET, MAIN (#124)	4	
18	64J-14342-20-00	.JET, PILOT (#39)	4	
19	66M-14355-00-00	.PLUG	4	
20	69W-14323-00-00	.SCREW, AIR ADJUSTING	4	
21	62Y-14334-00-00	.SPRING, AIR ADJUSTING	4	
22	62Y-14321-10-00	.SCREW, THROTTLE	4	
23	2T4-14397-00-00	.O-RING	4	
24	62Y-14383-30-00	.SCREW, DRAIN	4	
25	652-14397-00-00	.O-RING	4	
26	62Y-14212-00-00	.SPRING, PILOT ADJUSTING	8	
27	98980-04006-00	.SCREW, BIND	4	
28	69W-24311-00-00	.PIPE, FUEL 1	2	#1,3
29	62Y-14398-30-00	.GASKET	2	#1,3
30	62Y-14567-40-00	.SCREW	2	#3
30	62Y-14567-30-00	.SCREW	2	#1
31	69W-14380-11-00	.PRIME STARTER ASSY	1	#3
31	69W-14380-01-00	.PRIME STARTER ASSY	1	#1
32	62Y-14227-00-00	.WASHER	4	
33	62Y-24313-90-00	.PIPE 3	1	#3
34	62Y-14597-00-00	.WASHER	1	#4
35	664-14327-01-00	.SCREW	1	#4
36	69W-14212-00-00	.SPRING, PILOT ADJUSTING	2	#4
37	69W-14321-00-00	.SCREW, THROTTLE	2	#4
38	69W-14115-00-00	.PLUG, SCREW	4	
39	90430-08209-00	.GASKET	4	
40	62Y-1432A-01-00	.PLUG	4	

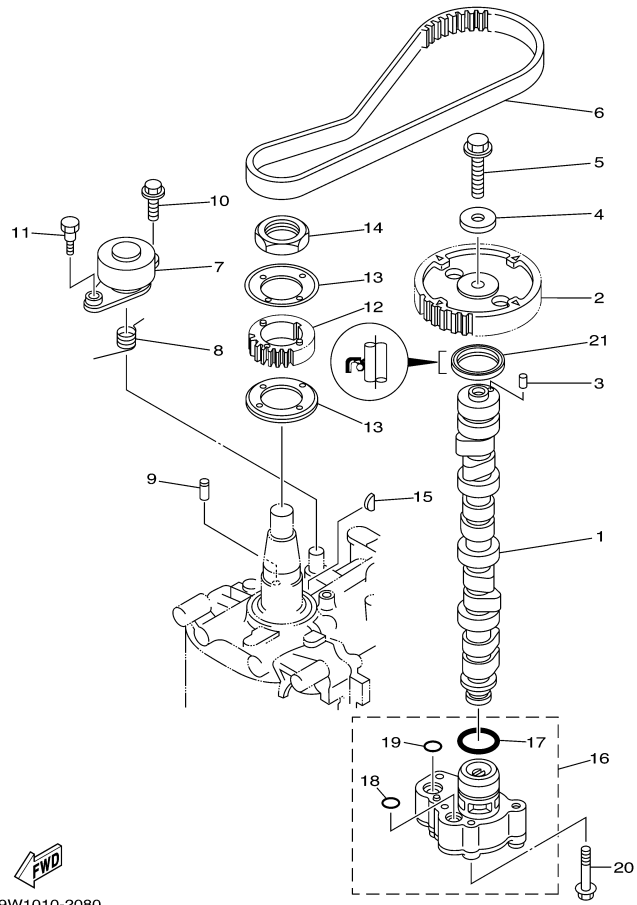
Part Notes

F60TJRB 2003 / CARBURETOR

PART NUMBER	NOTE TEXT
69W-14380-11-00	 OEM: The O-Ring for sealing this part to the carburetor body is not shown separately. The Part Number for the O-Ring is 93210-17001-00.
69W-14380-01-00	 OEM: The O-Ring for sealing this part to the carburetor body is not shown separately. The Part Number for the O-Ring is 93210-17001-00.

©2014 Yamaha Motor Corporation, U.S.A. All rights reserved.

F60TJRB 2003 / OIL PUMP



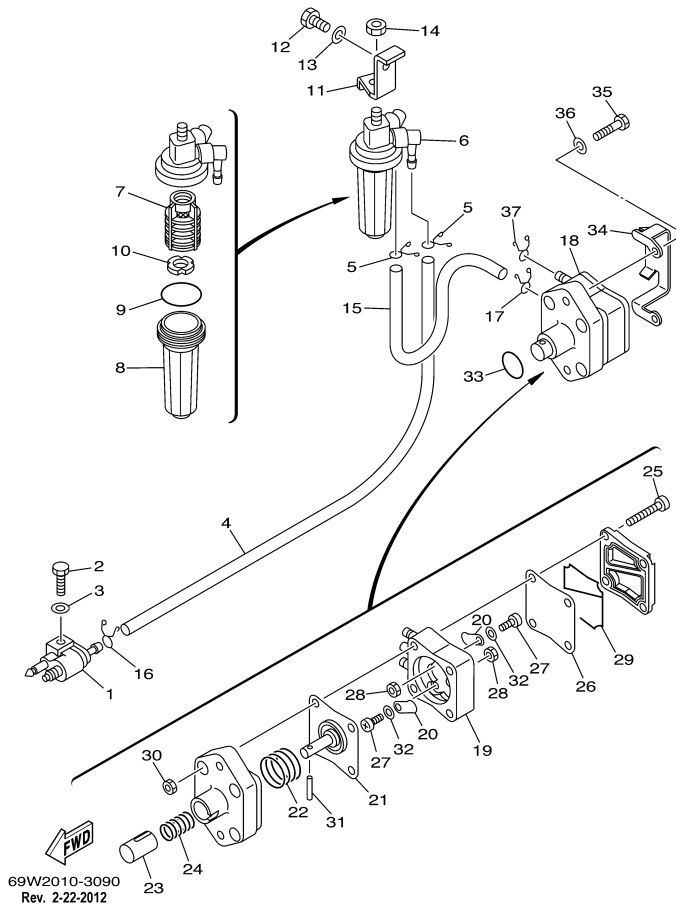

69W1010-2080

Part List

F60TJRB 2003 / OIL PUMP

REF - NO	PART NUMBER	PART NAME	QUANTITY	REMARKS
1	62Y-12171-00-00	CAMSHAFT 1	1	
2	62Y-11537-10-00	GEAR, DRIVEN	1	
3	93605-14143-00	PIN, DOWEL	1	
4	90201-10M06-00	WASHER, PLATE	1	
5	95895-10040-00	BOLT, FLANGE	1	
6	62Y-46241-00-00	BELT	1	
7	62Y-11590-10-00	TENSIONER ASSY	1	
8	90508-20018-00	SPRING, TORSION	1	
9	90249-07M29-00	PIN	1	
10	95895-08020-00	BOLT, FLANGE	1	
11	90109-06M64-00	BOLT	1	
12	62Y-11536-10-00	GEAR, DRIVE	1	
13	62Y-11557-00-00	WASHER 1	2	
14	90170-35M32-00	NUT	1	
15	90280-04M06-00	KEY, WOODRUFF	1	
16	69W-13300-00-00	OIL PUMP ASSY	1	
17	93210-33MH2-00	.O-RING	1	
18	93210-12MG9-00	.O-RING	1	
19	93210-14515-00	.O-RING	1	
20	90119-06025-00	BOLT, WITH WASHER	4	
21	93102-37M40-00	.OIL SEAL	1	

F60TJRB 2003 / FUEL 1



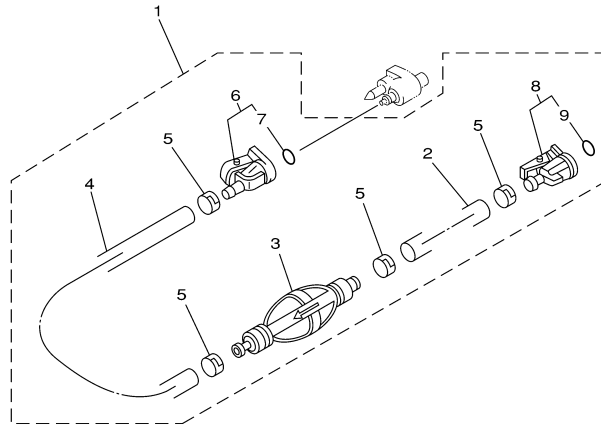
©2014 Yamaha Motor Corporation, U.S.A. All rights reserved.

Part List

F60TJRB 2003 / FUEL 1

REF - NO	PART NUMBER	PART NAME	QUANTITY	REMARKS
1	6G1-24304-02-00	FUEL PIPE JOINT COMP. 1	1	
2	97095-06025-00	BOLT	1	
3	92995-06600-00	WASHER	1	
4	90445-10020-00	HOSE (L590)	1	
5	90467-09M17-00	CLIP	2	
6	64J-24560-00-00	FILTER ASSY	1	
7	61N-24563-00-00	.ELEMENT, FILTER	1	
8	68V-24521-00-00	.CUP, FILTER	1	
9	93210-32738-00	.O-RING	1	
10	68V-24469-00-00	.FLOAT, WATER LEVEL	1	
11	62Y-24566-00-00	BRACKET, FILTER	1	
12	97095-08014-00	BOLT	1	
13	92995-08600-00	WASHER	1	
14	95380-08600-00	NUT	1	
15	90445-10M48-00	HOSE (L205)	1	
16	90467-09M17-00	CLIP	1	
17	90467-10M04-00	CLIP	1	
18	62Y-24410-03-00	FUEL PUMP ASSY	1	
19	62Y-24413-01-00	.BODY 2	1	
20	62Y-24421-01-00	.VALVE, CHECK	2	
21	62Y-24411-02-00	.DIAPHRAGM	1	
22	62Y-24423-00-00	.SPRING, DIAPHRAGM	1	
23	62Y-13131-01-00	.PLUNGER	1	
24	62Y-24454-00-00	.SPRING	1	
25	62Y-24444-01-00	.SCREW	4	
26	62Y-24471-00-00	.DIAPHRAGM	1	
27	6A0-14325-00-00	.SCREW, PAN HEAD	2	
28	95380-03600-00	.NUT	2	
29	62Y-24452-00-00	.PACKING	1	
30	95380-05600-00	.NUT	4	
31	62Y-24374-01-00	.PIN	1	
32	62Y-24422-00-00	.PLATE	2	
33	93210-24M79-00	.O-RING	1	
34	65W-24474-00-00	COVER	1	
35	97095-06030-00	BOLT	2	
36	92995-06600-00	WASHER	2	
37	90467-10M04-00	CLIP	2	

F60TJRB 2003 / FUEL 2



6960100-0050

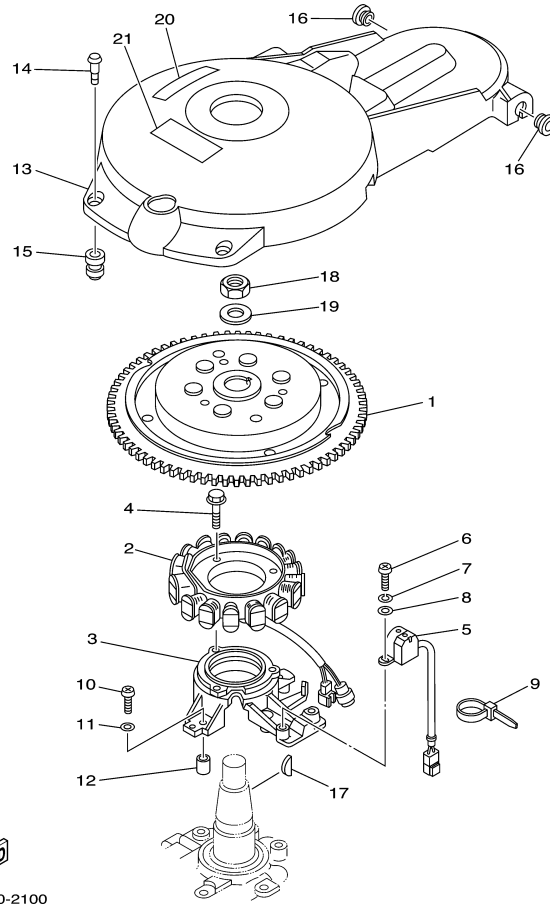
©2014 Yamaha Motor Corporation, U.S.A. All rights reserved.

Part List

F60TJRB 2003 / FUEL 2

REF - NO	PART NUMBER	PART NAME	QUANTITY	REMARKS
1	6Y1-24306-53-00	FUEL PIPE COMP. 1	1	AP
2	90445-11M06-00	.HOSE (L2050)	1	
3	6Y1-24360-52-00	.PRIMER PUMP ASSY	1	
4	90445-11M05-00	.HOSE (L850)	1	
5	650-24351-51-00	.BAND 1	4	
6	6G1-24305-03-00	.FUEL PIPE JOINT COMP 2	1	
7	93210-08287-00	..O-RING	1	
8	6Y1-24305-04-00	.FUEL PIPE JOINT COMP 2	1	
9	93210-08287-00	..O-RING	1	

F60TJRB 2003 / GENERATOR



69W1010-2100

©2014 Yamaha Motor Corporation, U.S.A. All rights reserved.



Part List

F60TJRB 2003 / GENERATOR

REF - NO	PART NUMBER	PART NAME	QUANTITY	REMARKS
1	69W-85550-10-00	ROTOR ASSY	1	
2	64J-85510-00-00	STATOR ASSY	1	
3	62Y-85561-00-94	BASE, MAGNETO	1	
4	95023-06025-00	BOLT	3	
5	62Y-85580-00-00	COIL, PULSER	1	
6	97880-05012-00	SCREW, PAN HEAD	2	
7	92990-05100-00	.WASHER, SPRING	2	
8	92990-05600-00	WASHER, PLATE	2	
9	90465-13M97-00	CLAMP	1	
10	97880-06025-00	SCREW, PAN HEAD	4	
11	92990-06600-00	WASHER, PLATE	4	
12	99530-08012-00	PIN, DOWEL	2	
13	62Y-81337-11-00	COVER, FLYWHEEL	1	
14	6K7-81338-01-00	.CLAMP, LEAD	2	
15	663-82317-01-00	DAMPER, IGNITION COIL	2	
16	90480-12072-00	GROMMET	2	
17	6H4-11545-00-00	KEY, WOODRUFF	1	
18	90170-20137-00	NUT	1	
19	90201-21M18-00	WASHER, PLATE	1	
20	62Y-13437-41-00	MARK, CAUTION	1	
21	6A1-83625-41-00	MARK 5	1	

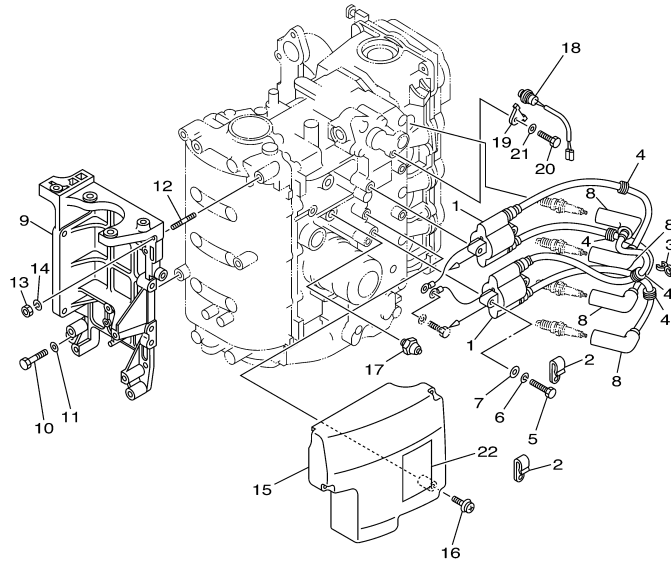
Part Notes

F60TJRB 2003 / GENERATOR

PART NUMBER	NOTE TEXT
92990-06600-00 	OEM: This part number is among the Top 100 Most Popular Marine Maintenance Parts as of March 2014.
90480-12072-00 	OEM: GROMMET used on F115TLR and F/LF115TXR 0410 Production and Earlier

©2014 Yamaha Motor Corporation, U.S.A. All rights reserved.

F60TJRB 2003 / ELECTRICAL 1




69W1010-2110

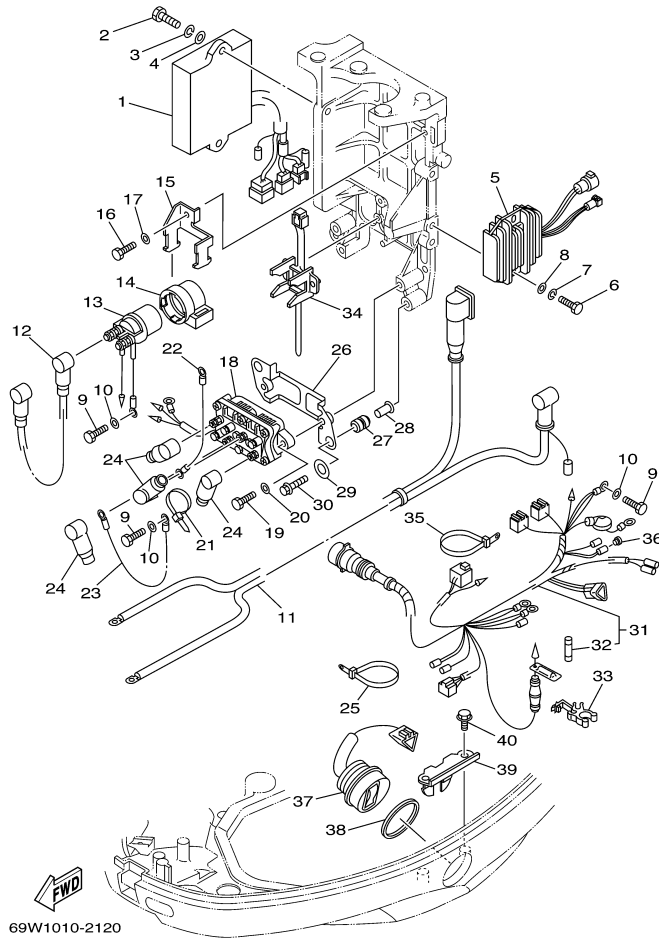
©2014 Yamaha Motor Corporation, U.S.A. All rights reserved.

Part List

F60TJRB 2003 / ELECTRICAL 1

REF - NO	PART NUMBER	PART NAME	QUANTITY	REMARKS
1	62Y-85570-00-00	IGNITION COIL ASSY	2	
2	90465-06M90-00	CLAMP	2	
3	90464-07M41-00	CLAMP	1	
4	90480-25161-00	GROMMET	4	
5	97095-06030-00	BOLT	4	
6	92995-06100-00	WASHER, SPRING	4	
7	92995-06600-00	WASHER	4	
8	6G8-82370-30-00	PLUG CAP ASSY	4	
9	62Y-81822-01-94	BRACKET, STARTING MOTOR	1	
10	97095-08035-00	BOLT	3	
11	92995-08600-00	WASHER	3	
12	90116-08M14-00	BOLT, STUD	1	
13	95380-08600-00	NUT	1	
14	92990-08100-00	WASHER, SPRING	1	
15	62Y-85599-00-00	COVER	1	
16	90159-06M08-00	SCREW, WITH WASHER	3	
17	64J-82504-00-00	OIL PRESSURE SWITCH ASSY	1	
18	62Y-82560-01-00	THERMO SWITCH ASSY	1	
19	6E9-82588-00-00	PLATE	1	
20	97095-06012-00	BOLT	1	
21	92995-06600-00	WASHER	1	
22	62Y-83626-00-00	MARK 6	1	

F60TJRB 2003 / ELECTRICAL 2



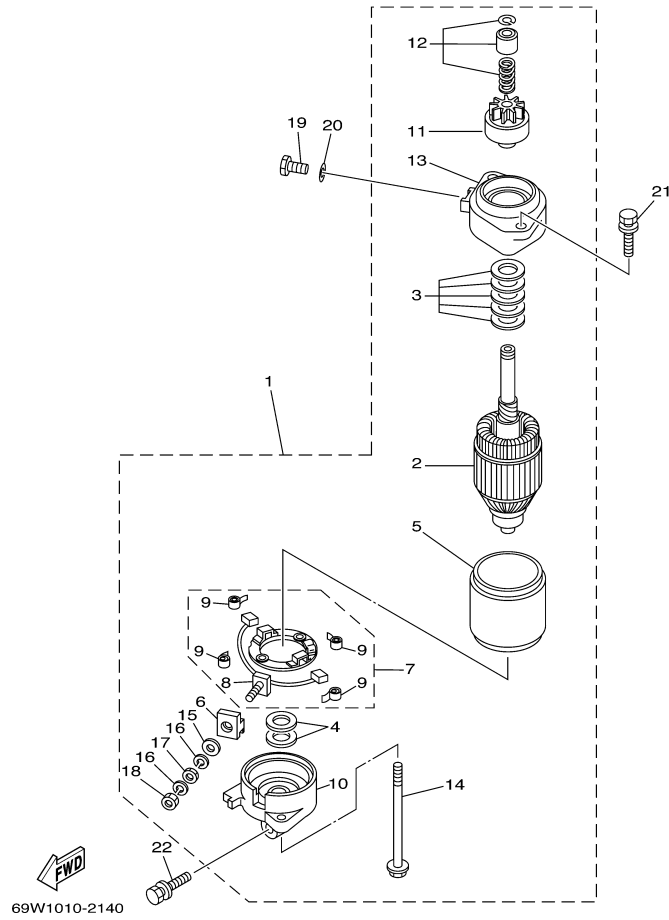
©2014 Yamaha Motor Corporation, U.S.A. All rights reserved.

Part List

F60TJRB 2003 / ELECTRICAL 2

REF - NO	PART NUMBER	PART NAME	QUANTITY	REMARKS
1	69W-85540-00-00	C.D.I. UNIT ASSY	1	
2	97095-06020-00	BOLT	2	
3	92995-06100-00	WASHER, SPRING	2	
4	92995-06600-00	WASHER	2	
5	64J-81960-00-00	RECTIFIER & REGULATOR ASSY	1	
6	97095-06025-00	BOLT	2	
7	92995-06100-00	WASHER, SPRING	2	
8	92995-06600-00	WASHER	2	
9	97095-06012-00	BOLT	3	
10	92995-06600-00	WASHER	3	
11	62Y-82105-U0-00	BATTERY CABLE	1	
12	6E5-82117-01-00	WIRE, LEAD	1	
13	6G1-81941-10-00	STARTER RELAY ASSY	1	
14	6G1-81952-00-00	HOLDER, RELAY	1	
15	6L2-81945-00-00	PLATE, SWITCH FITTING	1	
16	97095-06014-00	BOLT	1	
17	92995-06600-00	WASHER	1	
18	6H1-81950-00-00	RELAY ASSY	1	
19	97095-06020-00	BOLT	2	
20	92995-06600-00	WASHER	2	
21	90465-13M11-00	CLAMP	1	
22	6H2-81949-01-00	WIRE, LEAD	1	
23	61A-81949-00-00	WIRE, LEAD	1	
24	682-82119-01-00	COVER, LEAD WIRE	4	
25	90465-13M24-00	CLAMP	1	
26	62Y-81948-00-00	BRACKET	1	
27	6A0-82317-00-00	DAMPER, IGNITION COIL	2	
28	624-42542-00-00	PIPE	2	
29	90201-12M16-00	WASHER, PLATE	2	
30	95895-06025-00	BOLT, FLANGE	2	
31	69W-82590-00-00	WIRE HARNESS ASSY	1	
32	663-82151-00-00	.FUSE (12V-20A)	1	
33	6G5-82152-00-00	HOLDER, FUSE	1	
34	688-82594-00-00	CLAMP	1	
35	90465-13M24-00	CLAMP	1	
36	703-82119-00-00	COVER, LEAD WIRE	2	
37	63D-82563-10-00	TRIM & TILT SWITCH ASSY	1	
38	6E5-82587-00-00	GASKET	1	
39	62Y-83614-00-00	BRACKET	1	
40	90109-06M86-00	BOLT	2	

F60TJRB 2003 / STARTING MOTOR



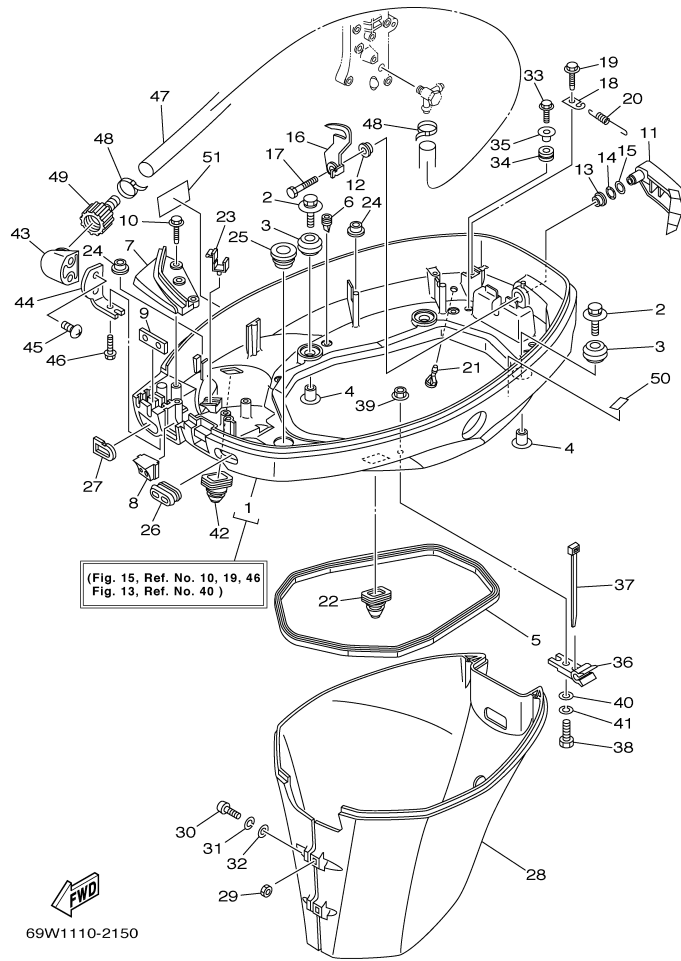
©2014 Yamaha Motor Corporation, U.S.A. All rights reserved.

Part List

F60TJRB 2003 / STARTING MOTOR

REF - NO	PART NUMBER	PART NAME	QUANTITY	REMARKS
1	69W-81800-00-00	STARTING MOTOR ASSY	1	
2	6N7-81850-10-00	.ARMATURE ASSY	1	
3	61A-81809-00-00	.WASHER KIT	1	
4	61A-81824-00-00	.WASHER 2	2	
5	6N7-81810-00-00	.STATOR ASSY	1	
6	6K7-8182G-10-00	.BUSH, TERMINAL	1	
7	6N7-81840-00-00	.BRUSH HOLDER ASSY	1	
8	6N7-81801-00-00	..BRUSH SET	1	
9	6N7-81813-00-00	..SPRING, BRUSH	4	
10	6N7-81820-00-00	.REAR BRACKET ASSY	1	
11	69W-81807-00-00	.GEAR ASSY, STARTING MOTOR	1	
12	6N7-81857-00-00	.RETAINER	1	
13	6N7-81830-00-00	.FRONT BRACKET ASSY	1	
14	6K7-81826-10-00	.BOLT	2	
15	6E5-8182E-10-00	.WASHER	1	
16	6E5-8182F-10-00	.WASHER	2	
17	6E5-8182A-10-00	.NUT	1	
18	6E5-8182K-10-00	.NUT	1	
19	97095-08016-00	BOLT	1	
20	92995-08600-00	WASHER	1	
21	90119-08M76-00	BOLT, WITH WASHER	2	
22	90119-08M77-00	BOLT, WITH WASHER	1	

F60TJRB 2003 / BOTTOM COWLING



©2014 Yamaha Motor Corporation, U.S.A. All rights reserved.



Part List

F60TJRB 2003 / BOTTOM COWLING

REF - NO	PART NUMBER	PART NAME	QUANTITY	REMARKS
1	67C-42710-12-4D	BOTTOM COWLING ASSY	1	WITH TAPPING BOLT
2	90119-06M08-00	BOLT, WITH WASHER	4	
3	90480-09M12-00	GROMMET	4	
4	90387-06060-00	COLLAR	4	
5	62Y-42716-00-00	RUBBER, SEAL 1	1	
6	65W-42717-00-00	RUBBER, SEAL 2	4	
7	67C-42738-00-4D	PLATE, FITTING	1	
8	62Y-42725-30-00	GROMMET	1	
9	62Y-42727-00-00	GROMMET	1	
10	90109-06M81-00	BOLT	3	
11	67C-42815-00-4D	LEVER, CLAMP	1	
12	90386-12M37-00	BUSH	1	
13	90386-12MA2-00	BUSH	1	
14	90206-12052-00	WASHER, WAVE	1	
15	90201-12M07-00	WASHER, PLATE	1	
16	67C-42816-01-00	LEVER, CLAMP	1	
17	97095-06012-00	BOLT	1	
18	66T-43144-00-00	HOOK, SPRING	1	
19	90109-06M86-00	BOLT	1	
20	90506-18M40-00	SPRING, TENSION	1	
21	6H3-44391-01-00	NIPPLE, HOSE	1	
22	688-42726-10-00	GROMMET	1	
23	90464-09M13-00	CLAMP	1	
24	6E7-82317-00-00	DAMPER, IGNITION COIL	2	
25	68U-42727-00-00	GROMMET	1	
26	6H3-42727-00-00	GROMMET	1	
27	61N-24329-00-00	SEAL	1	
28	67C-42741-10-4D	APRON	1	
29	95380-06600-00	NUT, HEXAGON	2	
30	97880-06025-00	SCREW, PAN HEAD	2	
31	92990-06100-00	..WASHER, SPRING	2	
32	92990-06600-00	WASHER, PLATE	2	
33	90109-06M80-00	.BOLT	2	
34	90480-13M24-00	GROMMET	2	
35	90387-06M43-00	COLLAR	2	
36	90464-09M49-00	CLAMP	1	
37	90465-11M10-00	CLAMP	1	
38	90101-06020-00	BOLT	1	
39	90179-06M28-00	NUT	1	
40	92990-06600-00	WASHER, PLATE	1	
41	92995-06100-00	WASHER, SPRING	1	
42	65W-42724-10-00	GROMMET	1	FLUSHING KIT
43	68T-12572-00-00	ADAPTER	1	FLUSHING KIT
44	69W-12535-00-00	PLATE	1	FLUSHING KIT
45	90167-06002-00	SCREW, TAPPING	2	FLUSHING KIT
46	90109-06M80-00	.BOLT	1	FLUSHING KIT
47	67C-24312-00-00	PIPE 2	1	FLUSHING KIT
48	90465-11M10-00	CLAMP	2	FLUSHING KIT
49	6R3-12580-00-00	JOINT ASSY	1	FLUSHING KIT
50	69W-82377-00-00	LABEL	1	
51	62Y-13444-40-00	MARK	1	

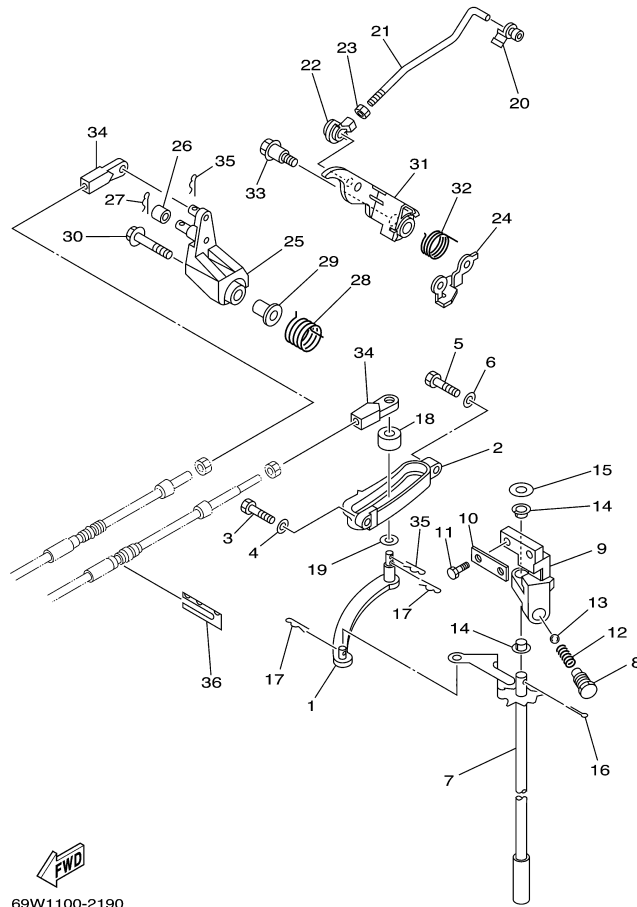
Part Notes

F60TJRB 2003 / BOTTOM COWLING

PART NUMBER	NOTE TEXT
92990-06600-00 	OEM: This part number is among the Top 100 Most Popular Marine Maintenance Parts as of March 2014.
92990-06600-00 	OEM: This part number is among the Top 100 Most Popular Marine Maintenance Parts as of March 2014.

©2014 Yamaha Motor Corporation, U.S.A. All rights reserved.

F60TJRB 2003 / CONTROL




69W1100-2190

©2014 Yamaha Motor Corporation, U.S.A. All rights reserved.



Part List

F60TJRB 2003 / CONTROL

REF - NO	PART NUMBER	PART NAME	QUANTITY	REMARKS
1	69W-44121-00-00	LEVER, SHIFT ROD	1	
2	62Y-44117-01-4D	BRACKET	1	
3	97095-06020-00	BOLT	1	
4	92995-06600-00	WASHER	1	
5	97095-06025-00	BOLT	1	
6	92995-06600-00	WASHER	1	
7	62Y-44120-01-00	HANDLE GEAR SHIFT ASSY	1	L
8	62Y-42715-01-00	BUSHING	1	
9	62Y-44118-00-00	BRACKET	1	
10	62Y-44112-00-00	STAY, HANDLE GEAR SHIFT	1	
11	97095-06020-00	BOLT	2	
12	90501-12082-00	SPRING, COMPRESSION	1	
13	93501-04M02-00	BALL	1	
14	90386-90M90-00	BUSH	2	
15	90201-10M20-00	.WASHER, PLATE	1	
16	91490-20015-00	PIN. COTTER	1	
17	90468-18008-00	CLIP	2	
18	688-44122-00-00	BUSHING, SHIFT ROD LEVER	1	
19	90202-07M07-00	WASHER, PLATE	1	
20	6F5-41237-00-00	JOINT, LINK	1	
21	69W-41241-00-00	ROD, LINK	1	
22	662-41237-01-00	JOINT, LINK	1	
23	95380-05700-00	NUT	1	
24	69W-42159-00-00	STAY	1	
25	62Y-42154-00-00	LEVER, THROTTLE CONTROL	1	
26	69W-42171-00-00	BUSHING	1	
27	91490-16010-00	PIN. COTTER	1	
28	62Y-44135-00-00	SPRING	1	
29	90387-06M45-00	COLLAR	1	
30	95895-06035-00	BOLT, FLANGE	1	
31	62Y-42335-20-00	LEVER, ACCEL. CONTROL	1	
32	62Y-44116-01-00	SPRING	1	
33	90109-06M30-00	BOLT	1	
34	69W-48344-00-00	CABLE END, REMOTE CONTROL	2	
35	90468-18008-00	CLIP	2	
36	62Y-48538-00-00	CLAMP, CABLE 1	1	

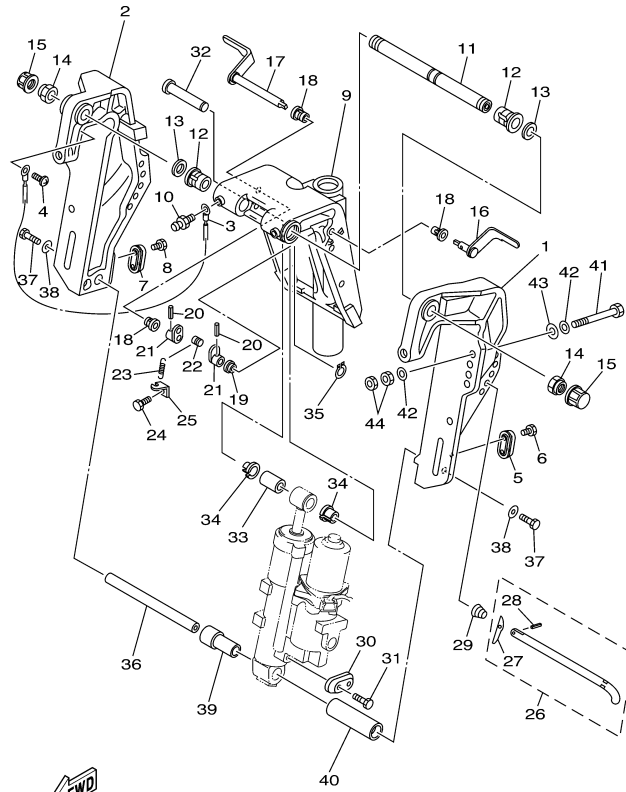
Part Notes

F60TJRB 2003 / CONTROL

PART NUMBER	NOTE TEXT
90468-18008-00 	OEM: This part number is among the Top 100 Most Popular Marine Maintenance Parts as of March 2014.
90468-18008-00 	OEM: This part number is among the Top 100 Most Popular Marine Maintenance Parts as of March 2014.

©2014 Yamaha Motor Corporation, U.S.A. All rights reserved.

F60TJRB 2003 / BRACKET 1



69W1010-2190

©2014 Yamaha Motor Corporation, U.S.A. All rights reserved.




Part List

F60TJRB 2003 / BRACKET 1

REF - NO	PART NUMBER	PART NAME	QUANTITY	REMARKS
1	69W-43111-00-4D	BRACKET, CLAMP	1	
2	69W-43112-00-4D	BRACKET, CLAMP	1	
3	63D-82148-00-00	WIRE, LEAD 4	1	
4	97885-06008-00	SCREW, PAN HEAD	1	
5	65W-45251-00-00	ANODE	1	
6	90101-06020-00	BOLT	2	
7	65W-45251-00-00	ANODE	1	
8	90101-06020-00	BOLT	2	
9	63D-43311-13-4D	BRACKET, SWIVEL 1	1	
10	93700-06M03-00	NIPPLE, GREASE	3	
11	63D-43131-01-00	BOLT, CLAMP BRACKET	1	
12	90386-22M15-00	BUSH	2	
13	90201-22M03-00	WASHER, PLATE	2	
14	90185-22M11-00	NUT, SELF-LOCKING	2	
15	6G5-43145-01-00	CAP, CLAMP BRACKET	2	
16	6H5-43181-03-00	LEVER, TILT STOP	1	
17	6H5-43185-03-00	LEVER, TILT STOP	1	
18	90386-10M16-00	BUSH	3	
19	90386-10025-00	.BUSH	1	
20	91690-30020-00	PIN, SPRING	2	
21	6G5-43148-00-00	COLLAR, DISTANCE	2	
22	90249-06M19-00	PIN	1	
23	90506-14M24-00	SPRING, TENSION	1	
24	97095-06010-00	BOLT	1	
25	6G5-43144-00-00	HOOK, SPRING	1	
26	688-43160-01-00	TILT ROD ASSY	1	
27	688-43165-00-00	.PLATE, TILT LOCK	1	
28	91690-30012-00	.PIN, SPRING	1	
29	90502-16M02-00	SPRING, CONICAL	1	
30	65W-45251-00-00	ANODE	1	
31	90101-06020-00	BOLT	2	
32	6E5-43126-02-00	PIN, UPPER SHOCK MOUNT	1	
33	90386-18M92-00	BUSH	1	
34	90386-18M35-00	BUSH	2	
35	93410-18M02-00	CIRCLIP	1	
36	62Y-43818-00-00	PIN, LOWER SHOCK MOUNT	1	
37	97080-08016-00	BOLT	2	
38	90201-08M04-00	WASHER, PLATE	2	
39	90387-18002-00	COLLAR	1	
40	90387-18003-00	COLLAR	1	
41	90101-12M65-00	BOLT	4	
42	92995-12200-00	WASHER	8	
43	90201-12426-00	WASHER, PLATE	4	
44	95380-12600-00	NUT	8	

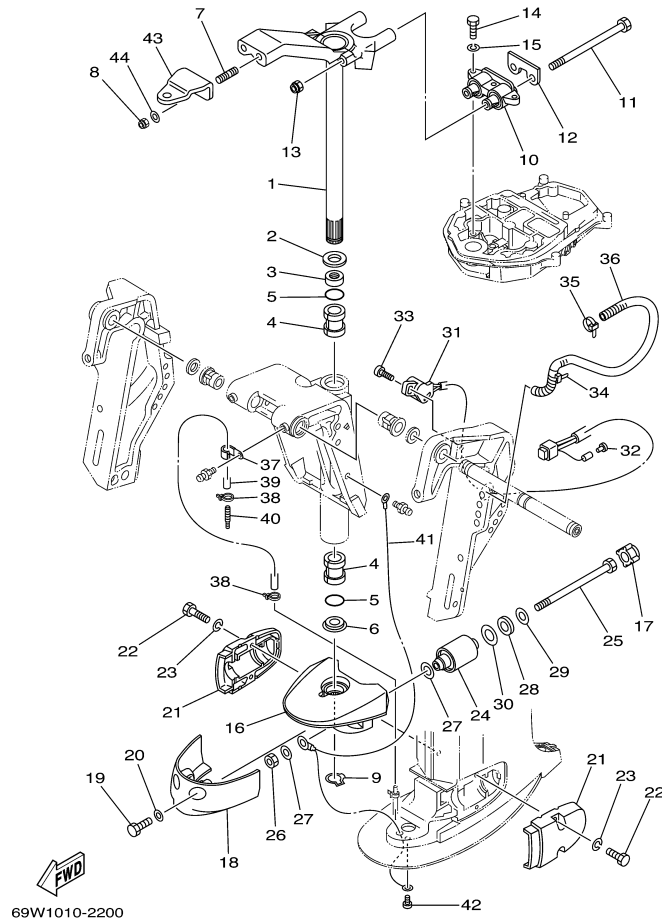
Part Notes

F60TJRB 2003 / BRACKET 1

PART NUMBER	NOTE TEXT
65W-45251-00-00 	OEM: This part number is among the Top 100 Most Popular Marine Maintenance Parts as of March 2014.
65W-45251-00-00 	OEM: This part number is among the Top 100 Most Popular Marine Maintenance Parts as of March 2014.
65W-45251-00-00 	OEM: This part number is among the Top 100 Most Popular Marine Maintenance Parts as of March 2014.

©2014 Yamaha Motor Corporation, U.S.A. All rights reserved.

F60TJRB 2003 / BRACKET 2



69W1010-2200

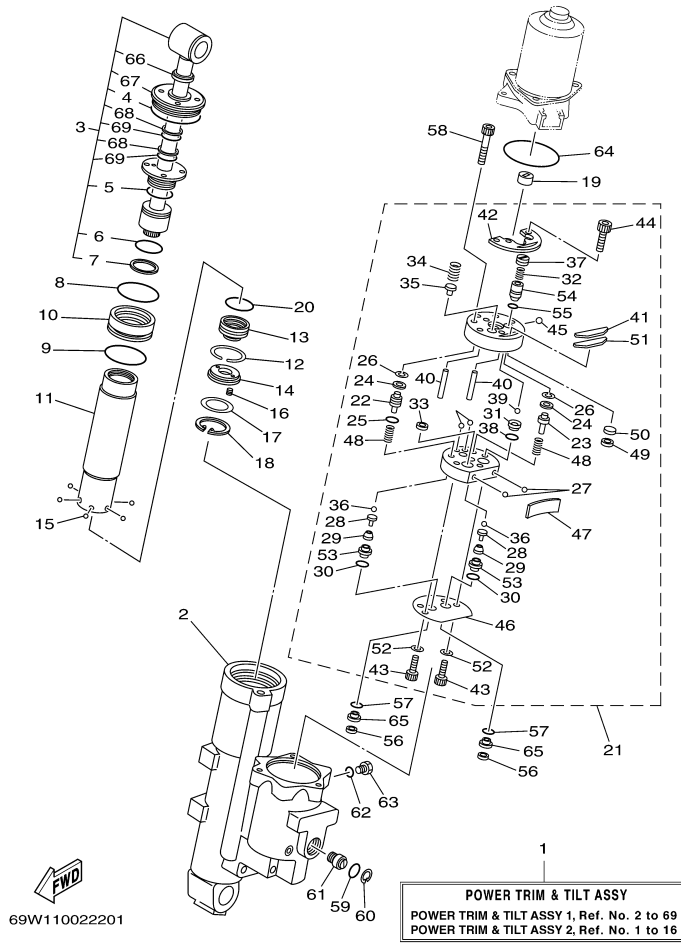
©2014 Yamaha Motor Corporation, U.S.A. All rights reserved.

Part List

F60TJRB 2003 / BRACKET 2

REF - NO	PART NUMBER	PART NAME	QUANTITY	REMARKS
1	69W-42510-01-4D	STEERING BRACKET ASSY	1	
2	90201-30M00-00	WASHER, PLATE	1	
3	90386-30M78-00	BUSH	1	
4	90386-30M77-00	BUSH	2	
5	93210-29M94-00	O-RING	2	
6	90386-30M60-00	BUSH	1	
7	90116-10M28-00	BOLT, STUD	2	
8	90185-10051-00	NUT, SELF-LOCKING	2	
9	93410-28M06-00	CIRCLIP	1	
10	69W-44514-00-4D	MOUNT DAMPER, UPPER SIDE	1	
11	90101-08M15-00	BOLT	2	
12	69W-44526-01-00	PLATE	1	
13	90185-08045-00	NUT, SELF-LOCKING	2	
14	97075-08030-00	BOLT	3	
15	92995-08100-00	WASHER	3	
16	69W-44551-00-4D	HOUSING, LOWER MOUNT RUBBER	1	
17	69W-44575-00-00	DAMPER, LOWER MOUNT RUBBER	2	
18	67C-44553-00-4D	COVER, LOWER MOUNT	1	
19	97095-08020-00	BOLT	2	
20	92995-08600-00	WASHER	2	
21	67C-44552-01-4D	HOUSING, LOWER MOUNT RUBBER	2	
22	97075-08030-00	BOLT	4	
23	92995-08100-00	WASHER	4	
24	69W-44555-00-4D	MOUNT DAMPER, LOWER SIDE	2	
25	90109-12MA3-00	BOLT	2	
26	95380-12700-00	NUT	2	
27	90201-12M16-00	WASHER, PLATE	4	
28	90202-21100-00	WASHER, PLATE	2	
29	90201-13M19-00	WASHER, PLATE	2	
30	90201-22M05-00	WASHER, PLATE	2	
31	63D-83672-01-00	TRIM SENDER	1	
32	703-82119-00-00	COVER, LEAD WIRE	1	
33	97885-06016-00	SCREW, PAN HEAD	2	
34	90465-13M18-00	CLAMP	1	
35	90465-11M10-00	CLAMP	1	
36	90446-17M91-00	HOSE	1	
37	90465-06M86-00	.CLAMP	1	EXCEPT F60TJR
38	90465-11M10-00	CLAMP	2	EXCEPT F60TJR
39	90445-07M53-00	HOSE (L700)	1	EXCEPT F60TJR
40	6E5-83558-00-00	END, NIPPLE	1	EXCEPT F60TJR
41	67C-82127-10-00	WIRE, LEAD 2	1	
42	97885-06008-00	SCREW, PAN HEAD	1	
43	65W-48511-00-00	HOOK, STEERING	1	
44	92995-10600-00	WASHER	2	

F60TJRB 2003 / POWER TRIM TILT ASSY 1



©2014 Yamaha Motor Corporation, U.S.A. All rights reserved.

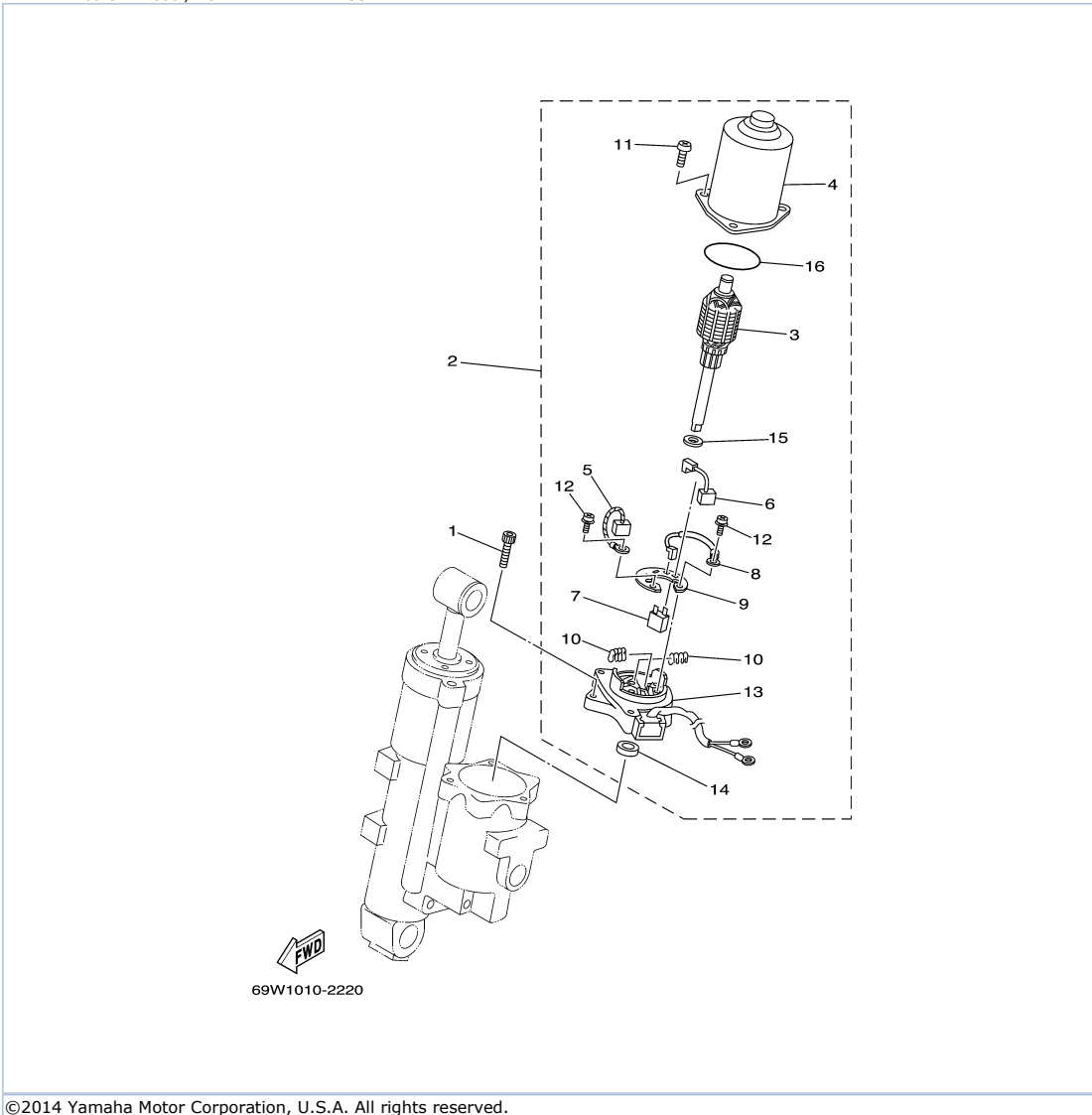
Part List

F60TJRB 2003 / POWER TRIM TILT ASSY 1

REF - NO	PART NUMBER	PART NAME	QUANTITY	REMARKS
1	69W-43800-00-8D	POWER TRIM & TILT ASSY	1	
2	69W-4380K-00-00	CYLINDER, TILT SUB ASSY	1	
3	62X-43810-01-00	.TILT PISTON SUB ASSY	1	
4	62X-43861-00-00	..O-RING	1	
5	62X-43862-00-00	..O-RING	1	
6	93210-29375-00	..O-RING	1	
7	62X-43871-00-00	..RING, BACK UP	1	
8	93210-44383-00	O-RING	1	
9	93210-48214-00	.O-RING	1	
10	62X-4388A-00-00	PISTON, TRIM	1	
11	62Y-22471-00-00	CYLINDER, SHOCK ABSORBER	1	
12	67F-43875-00-00	RING, SNAP	1	
13	69W-4381B-00-00	FREE PISTON SUB ASSY	1	
14	62X-43899-00-00	PLATE STOPPER	1	
15	93503-16003-00	BALL	6	
16	62X-4384H-00-00	SPRING	2	
17	1UF-22434-00-00	PLATE, VALVE 1	1	
18	62X-43875-00-00	RING, SNAP	1	
19	6H1-43831-10-00	CONNECTOR, SHAFT	1	
20	93210-29375-00	.O-RING	1	
21	69W-43830-00-00	GEAR PUMP ASSY	1	
22	69J-43841-00-00	.PISTON, SHUTTLE	1	
23	69J-4384M-00-00	.PISTON, SHUTTLE 2	1	
24	69A-4384F-00-00	.SEAL, MAIN VALVE	2	
25	6H1-43883-00-00	.O-RING	1	
26	99002-03600-00	.CLIP	2	
27	93505-32038-00	.BALL	4	
28	65W-4386A-00-00	.PIN, ABSORBER VALVE	2	
29	69J-43853-00-00	.SPRING, MAIN VALVE	2	
30	69J-4389J-00-00	.O-RING	2	
31	69J-43851-00-00	..SEAT, RELIEF VALVE	1	
32	69J-43855-00-00	..SPRING, UP RELIEF	1	
33	6H1-4384F-10-00	.SEAL, MAIN VALVE	1	
34	69W-43856-00-00	..SPRING, DOWN RELIEF	1	
35	6H1-43844-10-00	.PIN, VALVE SUPPORT	1	
36	93505-32038-00	.BALL	2	
37	69J-43843-00-00	..SCREW, VALVE LOCK	1	
38	93210-08391-00	..O-RING	1	
39	93501-08001-00	.BALL	1	
40	93604-26256-00	.PIN, DOWEL	2	
41	62Y-43816-00-00	.FILTER 1	1	
42	69W-4382L-00-00	..CAP, RELIEF VALVE	1	
43	91318-05020-00	.BOLT	2	
44	91318-05008-00	.BOLT	2	
45	93501-08001-00	.BALL	1	
46	69W-4384G-00-00	.SEAL, RELIEF VALVE	1	
47	69W-43854-00-00	..SPRING, MANUAL RELEASE	1	
48	69J-43894-00-00	.SPRING, SHUTTLE RETURN	2	
49	62Y-4387J-00-00	.WASHER, SPECIAL 2	1	
50	62Y-22434-00-00	.PLATE, VALVE 1	1	
51	62Y-43871-00-00	.RING, BACK UP	1	
52	62Y-4387G-00-00	.WASHER	2	
53	69J-43893-00-00	.WASHER	2	
54	69J-43844-00-00	..PIN, VALVE SUPPORT	1	
55	93210-064A5-00	...O-RING	1	
56	6H1-43816-00-00	FILTER 1	2	
57	69J-4389J-00-00	.O-RING	2	
58	91318-06040-00	BOLT	3	
59	93210-18397-00	O-RING	1	
60	6H1-43875-00-00	.RING, SNAP	1	
61	62Y-43845-00-00	SCREW, MANUAL RELEASE	1	

62	93210-09165-00	O-RING	1	
63	6H1-43829-00-00	.PLUG, RESERVOIR	1	
64	62X-43865-00-00	O-RING	1	
65	69W-43899-01-00	PLATE STOPPER	2	
66	62Y-43822-00-00	..SEAL, TRIM DUST	1	
67	62X-43821-00-00	..SCREW, TRIM CYLINDER END	1	
68	62X-43872-00-00	..RING, BACK UP	2	
69	6C5-43863-00-00	..O-RING	2	

F60TJRB 2003 / POWER TRIM TILT ASSY 2



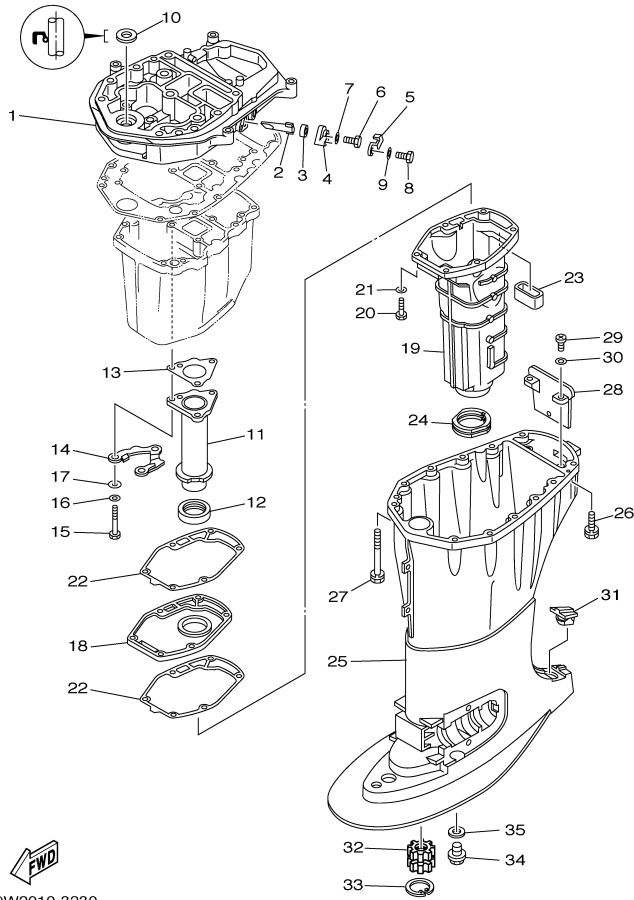
©2014 Yamaha Motor Corporation, U.S.A. All rights reserved.

Part List

F60TJRB 2003 / POWER TRIM TILT ASSY 2

REF - NO	PART NUMBER	PART NAME	QUANTITY	REMARKS
1	62X-43888-00-00	BOLT, SOCKET	3	
2	69W-43880-00-00	MOTOR ASSY	1	
3	69W-43805-00-00	.ARMATURE ASSY	1	
4	62X-43804-01-00	.STATOR ASSY	1	
5	62Y-43892-00-00	.BRUSH 2	1	
6	62Y-43891-00-00	.BRUSH 1	1	
7	69W-82181-00-00	.CIRCUIT BREAKER COMP	1	
8	62X-43807-00-00	.WIRE SUB ASSY	1	
9	69W-4380F-00-00	.PLATE, BRUSH HOLDER	1	
10	62X-4386K-00-00	.SPRING, BRUSH	2	
11	97880-05020-00	.SCREW, PAN HEAD	3	
12	97607-04216-00	..SCREW, WITH WASHER	2	
13	69W-43881-00-00	.FRAME, END	1	
14	93102-08414-00	.OIL SEAL	1	
15	90201-083J8-00	.WASHER, PLATE	1	
16	93210-52449-00	.O-RING	1	

F60TJRB 2003 / UPPER CASING



©2014 Yamaha Motor Corporation, U.S.A. All rights reserved.


Part List

F60TJRB 2003 / UPPER CASING

REF - NO	PART NUMBER	PART NAME	QUANTITY	REMARKS
1	69W-41137-01-94	GUIDE, EXHAUST	1	
2	62Y-11325-00-00	ANODE	1	
3	66M-11328-00-00	GROMMET, ANODE	1	
4	66M-11327-00-94	COVER, ANODE	1	
5	66M-12535-00-00	PLATE	1	
6	97095-05012-00	BOLT	1	
7	92995-05600-00	WASHER	1	
8	97013-06020-00	BOLT	1	
9	92903-06600-00	WASHER, PLATE	1	
10	93103-18011-00	.OIL SEAL	1	
11	69W-41131-00-00	MANIFOLD, EXT. 1	1	
12	64J-46132-10-00	.GASKET 1	1	
13	64J-41133-10-00	.GASKET, EXHAUST MANIFOLD 1	1	
14	64J-41116-00-00	PROTECTOR	1	
15	97075-06050-00	BOLT	3	
16	92995-06600-00	WASHER	3	
17	90201-06015-00	WASHER, PLATE	3	
18	69W-45181-00-5B	PLATE	1	
19	69W-14711-00-5B	MUFFLER 1	1	
20	97075-06025-00	BOLT	6	
21	92995-06600-00	WASHER	6	
22	62Y-41134-01-00	.GASKET, EXHAUST MANIFOLD	2	
23	62Y-45127-00-00	.SEAL	1	
24	67C-45123-00-00	.GASKET, MUFFLER	1	
25	67C-45111-21-4D	CASING, UPPER	1	
26	90119-08M79-00	BOLT, WITH WASHER	4	
27	90119-08M82-00	BOLT, WITH WASHER	8	
28	67C-45151-00-00	COVER, UPPER CASING	1	
29	97880-05016-00	SCREW, PAN HEAD	2	
30	92990-05600-00	WASHER, PLATE	2	
31	6H3-45155-00-00	CAP	1	
32	69W-45318-00-00	BUSHING, DRIVE SHAFT	1	
33	93420-36M01-00	CIRCLIP	1	
34	90340-14M06-00	PLUG, STRAIGHT SCREW	1	
35	90430-14M09-00	.GASKET	1	

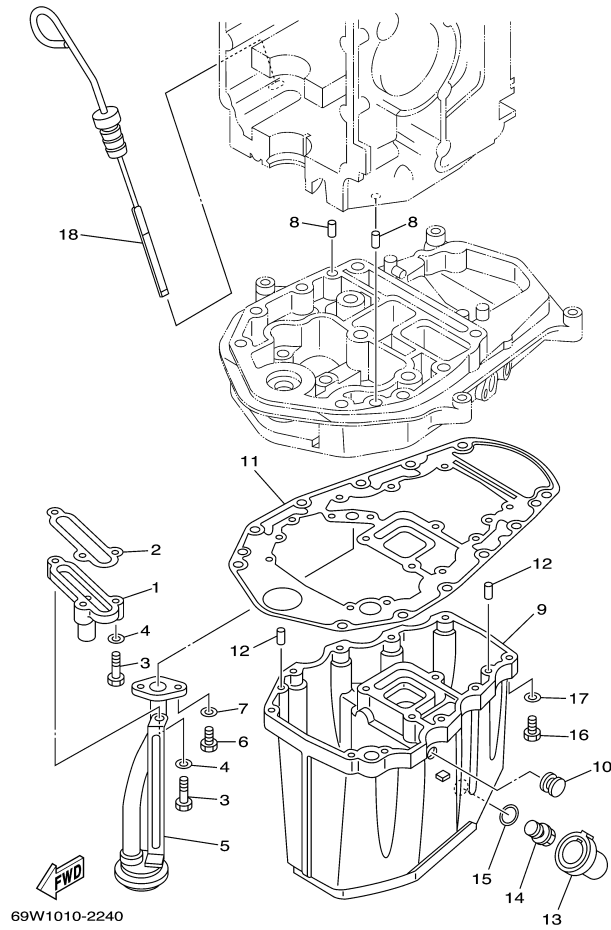
Part Notes

F60TJRB 2003 / UPPER CASING

PART NUMBER	NOTE TEXT
90430-14M09-00 	OEM: This part number is among the Top 100 Most Popular Marine Maintenance Parts as of March 2014.

©2014 Yamaha Motor Corporation, U.S.A. All rights reserved.

F60TJRB 2003 / OIL PAN



©2014 Yamaha Motor Corporation, U.S.A. All rights reserved.


Part List

F60TJRB 2003 / OIL PAN

REF - NO	PART NUMBER	PART NAME	QUANTITY	REMARKS
1	62Y-11575-00-00	RELIEF VALVE ASSY	1	
2	62Y-13475-00-00	.GASKET	1	
3	97013-06025-00	BOLT	3	
4	92903-06600-00	WASHER, PLATE	3	
5	62Y-13411-00-00	STRAINER, OIL	1	
6	97013-06016-00	BOLT	2	
7	92903-06600-00	WASHER, PLATE	2	
8	93608-12M05-00	PIN, DOWEL	2	
9	64J-15311-01-5B	OIL PAN	1	
10	90480-12M25-00	GROMMET	1	
11	69W-15312-00-00	.GASKET, OIL PAN	1	
12	93606-12019-00	.PIN, DOWEL	4	
13	67C-15316-00-00	DAMPER 1	1	
14	90340-14M06-00	PLUG, STRAIGHT SCREW	1	
15	90430-14M09-00	.GASKET	1	
16	97075-06025-00	BOLT	10	
17	92995-06600-00	WASHER	10	
18	67C-15362-00-00	PLUG, OIL LEVEL	1	

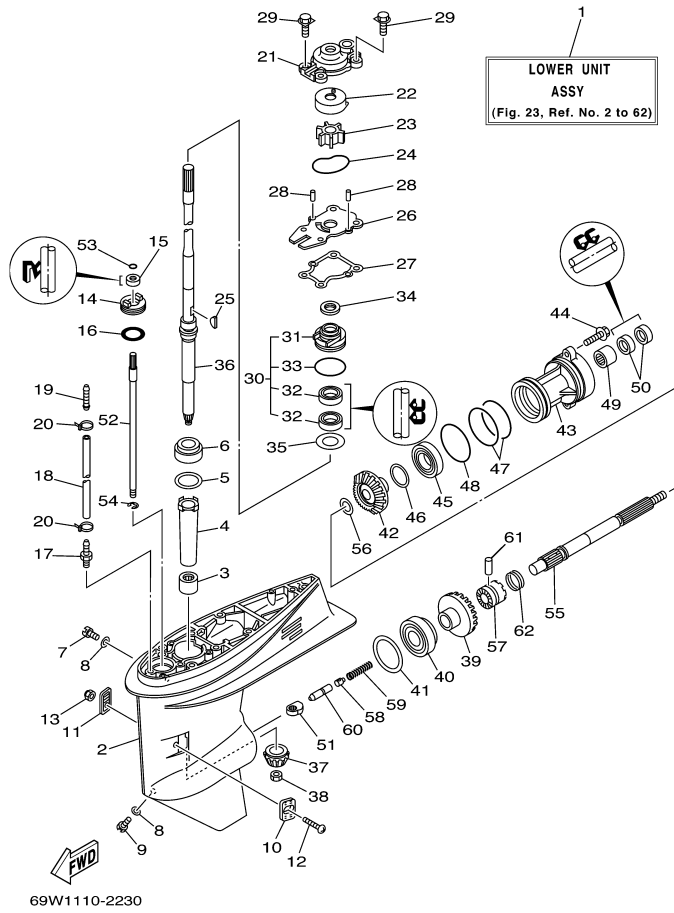
Part Notes

F60TJRB 2003 / OIL PAN

PART NUMBER	NOTE TEXT
90430-14M09-00 	OEM: This part number is among the Top 100 Most Popular Marine Maintenance Parts as of March 2014.

©2014 Yamaha Motor Corporation, U.S.A. All rights reserved.

F60TJRB 2003 / LOWER CASING DRIVE 1



©2014 Yamaha Motor Corporation, U.S.A. All rights reserved.

Part List



F60TJRB 2003 / LOWER CASING DRIVE 1

REF - NO	PART NUMBER	PART NAME	QUANTITY	REMARKS
1	69W-45300-00-4D	LOWER UNIT ASSY	1	L
2	69W-45301-00-4D	CASING, LOWER	1	
3	93315-32224-00	BEARING	1	
4	6H4-45536-00-00	SLEEVE, DRIVE SHAFT	1	
5	663-45587-01-10	SHIM (T:0.10MM)	1	UR
5	663-45587-01-12	SHIM (T:0.12MM)	1	UR
5	663-45587-01-15	SHIM (T:0.15MM)	1	UR
5	663-45587-01-50	SHIM (T:0.50MM)	1	UR
5	663-45587-01-30	SHIM (T:0.30MM)	1	UR
5	663-45587-01-40	SHIM (T:0.40MM)	1	UR
5	663-45587-01-18	SHIM (T:0.18MM)	1	UR
6	93332-00001-00	BEARING	1	
7	90340-08002-00	PLUG, STRAIGHT SCREW	1	
8	90430-08020-00	.GASKET	2	
9	688-45341-10-00	PLUG, DRAIN	1	
10	63D-45214-00-00	COVER, WATER INLET 1	1	
11	63D-45215-00-00	COVER, WATER INLET 2	1	
12	90142-05M06-00	SCREW, COUNTERSUNK	1	
13	95380-05600-00	NUT	1	
14	63D-45321-00-00	PLATE	1	
15	93106-09014-00	.OIL SEAL	1	
16	93210-33MG4-00	.O-RING	1	
17	6E5-45378-00-00	NIPPLE, HOSE	1	
18	90445-07ME8-00	HOSE (L80)	1	L
19	6E5-83558-10-00	END, NIPPLE	1	
20	90465-11M10-00	CLAMP	2	
21	63D-44311-00-00	HOUSING, WATER PUMP	1	
22	63D-44322-00-00	.INSERT, CARTRIDGE	1	
23	6H3-44352-00-00	.IMPELLER	1	
24	93210-59MG7-00	.O-RING	1	
25	90280-03024-00	.KEY, WOODRUFF	1	
26	63D-44323-00-00	.OUTER PLATE, CARTRIDGE	1	
27	63D-44316-00-00	.GASKET, WATER PUMP	1	
28	93604-08062-00	PIN, DOWEL	2	
29	90119-08M15-00	.BOLT, WITH WASHER	4	
30	63D-W4434-00-00	WATER PUMP HOUSING ASSY	1	
31	63D-44341-00-00	.HOUSING, WATER PUMP	1	
32	93101-25M57-00	.OIL SEAL	2	
33	93210-48MG8-00	.O-RING	1	
34	63D-45344-00-00	COVER, OIL SEAL	1	
35	90201-27M00-00	WASHER, PLATE	1	
36	69W-45501-00-00	DRIVE SHAFT COMP.	1	L
37	69W-45551-00-00	PINION (13T)	1	
38	90170-12138-00	NUT	1	
39	69W-45560-00-00	GEAR 1 (24T)	1	
40	93332-00092-00	BEARING	1	
41	663-45567-01-10	SHIM (T:0.10MM)	1	UR
41	663-45567-01-12	SHIM (T:0.12MM)	1	UR
41	663-45567-01-15	SHIM (T:0.15MM)	1	UR
41	663-45567-01-50	SHIM (T:0.50MM)	1	UR
41	663-45567-01-30	SHIM (T:0.30MM)	1	UR
41	663-45567-01-40	SHIM (T:0.40MM)	1	UR
41	663-45567-01-18	SHIM (T:0.18MM)	1	UR
42	62Y-45571-00-00	GEAR 2 (24T)	1	
43	63D-45361-02-4D	CAP, LOWER CASING	1	
44	90105-08M61-00	BOLT, FLANGE	2	
45	93306-001U1-00	BEARING	1	
46	63D-45577-00-10	SHIM (T:0.10MM)	1	UR
46	63D-45577-00-12	SHIM (T:0.12MM)	1	UR
46	63D-45577-00-15	SHIM (T:0.15MM)	1	UR
46	63D-45577-00-50	SHIM (T:0.50MM)	1	UR

46	63D-45577-00-30	SHIM (T:0.30MM)	1	UR
46	63D-45577-00-40	SHIM (T:0.40MM)	1	UR
46	63D-45577-00-18	SHIM (T:0.18MM)	1	UR
47	93210-74MG5-00	.O-RING	2	
48	93210-69MG6-00	.O-RING	1	
49	93317-22204-00	BEARING	1	
50	93101-22M00-00	.OIL SEAL	2	
51	62Y-44151-00-00	CAM, SHIFT	1	
52	63D-44144-00-00	ROD, SHIFT	1	
53	93210-07003-00	.O-RING	1	
54	99001-08600-00	CIRCLIP	1	
55	63D-45611-00-00	SHAFT, PROPELLER	1	
56	90201-22008-00	WASHER, PLATE	1	
57	62Y-45631-00-00	CLUTCH, DOG	1	
58	663-45634-00-00	SLIDE, SHIFT	1	
59	90501-18001-00	SPRING, COMPRESSION	1	
60	63D-45635-00-00	PLUNGER, SHIFT	1	
61	90250-06023-00	PIN, STRAIGHT	1	
62	67C-45633-00-00	RING, CROSS PIN	1	

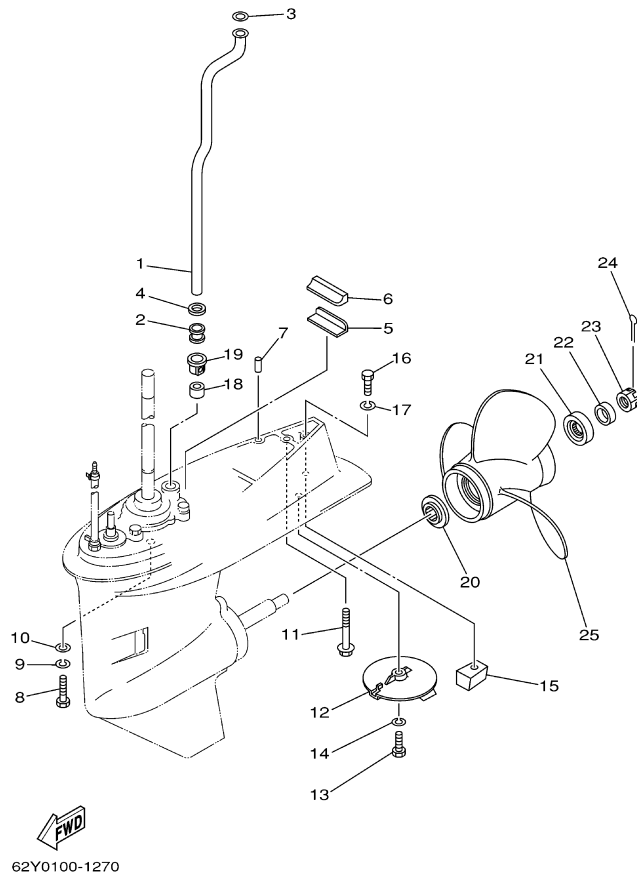
Part Notes

F60TJRB 2003 / LOWER CASING DRIVE 1

PART NUMBER		NOTE TEXT
90430-08020-00		OEM: This part number is among the Top 100 Most Popular Marine Maintenance Parts as of March 2014.
93106-09014-00		OEM: This part number is among the Top 100 Most Popular Marine Maintenance Parts as of March 2014.
6H3-44352-00-00		OEM: This part number is among the Top 100 Most Popular Marine Maintenance Parts as of March 2014.

©2014 Yamaha Motor Corporation, U.S.A. All rights reserved.

F60TJRB 2003 / LOWER CASING DRIVE 2



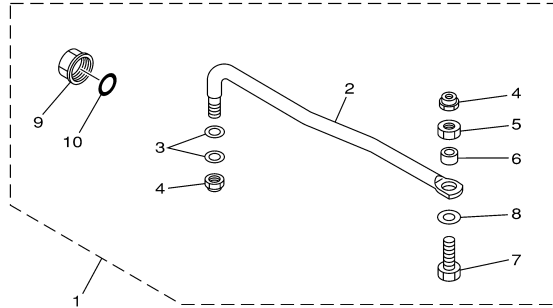
©2014 Yamaha Motor Corporation, U.S.A. All rights reserved.

Part List

F60TJRB 2003 / LOWER CASING DRIVE 2

REF - NO	PART NUMBER	PART NAME	QUANTITY	REMARKS
1	62Y-44361-00-00	TUBE, WATER 1	1	L
2	663-44367-00-00	DAMPER, WATER SEAL 3	1	
3	90202-12060-00	WASHER, PLATE	1	
4	90430-12072-00	GASKET	1	
5	663-45376-00-94	GUIDE, SEAL DAMPER	1	
6	63D-45375-00-00	DAMPER, SEAL	1	
7	93606-12019-00	.PIN, DOWEL	2	
8	97075-10040-00	BOLT	4	L
9	92995-10100-00	WASHER	4	L
10	92995-10600-00	WASHER	4	L
11	90119-08M84-00	BOLT, WITH WASHER	1	L
12	67C-45371-00-00	TAB-TRIM	1	
13	97095-08025-00	BOLT	1	
14	92995-08100-00	WASHER	1	
15	67C-45251-00-00	ANODE	1	
16	97095-08035-00	BOLT	1	
17	92995-08100-00	WASHER	1	
18	663-44366-00-00	.DAMPER, WATER SEAL 2	1	
19	63D-44312-00-00	.COVER, WATER PUMP HOUSING	1	
20	663-45987-02-00	SPACER 1	1	
21	66T-45997-00-00	SPACER 2	1	
22	90389-22M01-00	BUSH	1	
23	90171-16011-00	NUT, CASTLE	1	
24	91490-30025-00	PIN. COTTER	1	
25	6H5-45943-00-EL	PROPELLER (3X10"X15"-G)	1	UR WITH LIP CUP
25	69W-45947-00-EL	PROPELLER (3X11-5/8"X11"-G)	1	UR
25	663-45949-01-EL	PROPELLER (3X10-3/4"X16"-G)	1	UR
25	6H5-45952-00-EL	PROPELLER (3X10-3/8X13"-G)	1	UR WITH LIP CUP
25	663-45956-01-EL	PROPELLER (3X12-1/4"X9"-G)	1	UR
25	663-45970-60-98	PROPELLER (3X11-3/4"X12"-G)	1	UR
25	663-45972-60-98	PROPELLER (3X12"X11"-G)	1	UR
25	663-45974-60-98	PROPELLER (3X11-1/2"X13"-G)	1	UR
25	663-45976-00-98	PROPELLER (3X10-1/4"X15"-G)	1	UR
25	663-45978-00-98	PROPELLER (3X10-1/4"X16"-G)	1	UR
25	663-45930-00-98	PROPELLER (3X10-1/4"X14"-G)	1	UR
25	663-45974-02-98	PROPELLER (3X10-5/8"X13"-G)	1	UR
25	663-45954-01-EL	PROPELLER (3X11-3/4"X10"-G)	1	UR
25	69W-45943-00-EL	PROPELLER (3X11"X15"-G)	1	UR
25	6H5-45945-00-EL	PROPELLER (3X10-5/8X12"-G)	1	UR WITH LIP CUP

F60TJRB 2003 / STEERING GUIDE



65W0010-8210

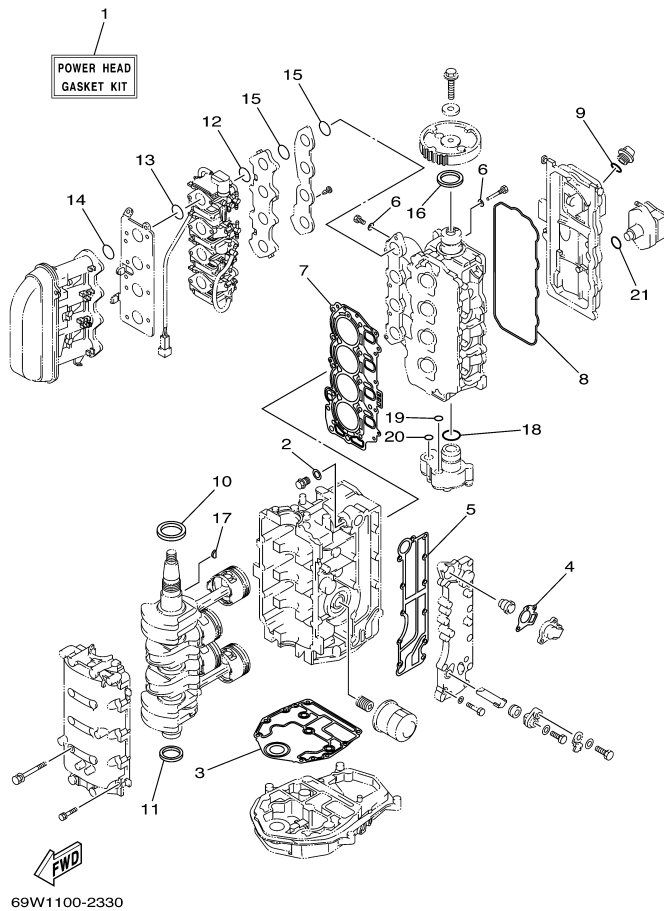
©2014 Yamaha Motor Corporation, U.S.A. All rights reserved.

Part List

F60TJRB 2003 / STEERING GUIDE

REF - NO	PART NUMBER	PART NAME	QUANTITY	REMARKS
1	65W-61350-00-00	STEERING GUIDE ATTACHMENT KIT	1	AP
2	65W-61351-00-00	.ROD, STEERING LINK	1	
3	90201-10M20-00	.WASHER, PLATE	2	
4	90185-09M01-00	.NUT, SELF-LOCKING	2	
5	90170-09M03-00	.NUT	1	
6	90387-10M42-00	.COLLAR	1	
7	90101-09M01-00	.BOLT	1	
8	90201-10M63-00	.WASHER, PLATE	1	
9	6E5-43145-01-00	.CAP, CLAMP BRACKET	1	
10	93210-16275-00	.O-RING	1	

F60TJRB 2003 / REPAIR KIT 1



©2014 Yamaha Motor Corporation, U.S.A. All rights reserved.


Part List

F60TJRB 2003 / REPAIR KIT 1

REF - NO	PART NUMBER	PART NAME	QUANTITY	REMARKS
1	69W-W0001-00-00	POWER HEAD GASKET KIT	1	
2	90430-14115-00	.GASKET	1	
3	67C-11351-00-00	.GASKET, CYLINDER	1	
4	62Y-12414-00-00	.GASKET, COVER	1	
5	62Y-41114-00-00	.GASKET, EXHAUST OUTER COVER	1	
6	90430-06014-00	.GASKET	5	
7	69W-11181-00-00	.GASKET, CYLINDER HEAD 1	1	
8	62Y-11356-00-00	.SEAL, CYLINDER 2	1	
9	93210-24M79-00	.O-RING	1	
10	93102-43M42-00	.OIL SEAL	1	
11	93101-35002-00	.OIL SEAL	1	
12	69W-14561-00-00	.O-RING	4	
13	93210-35M86-00	.O-RING	4	
14	93210-38MH3-00	.O-RING	4	
15	93210-35M86-00	.O-RING	8	
16	93102-37M40-00	.OIL SEAL	1	
17	90280-04M06-00	.KEY, WOODRUFF	1	
18	93210-33MH2-00	.O-RING	1	
19	93210-12MG9-00	.O-RING	1	
20	93210-14515-00	.O-RING	1	
21	93210-24M79-00	.O-RING	1	

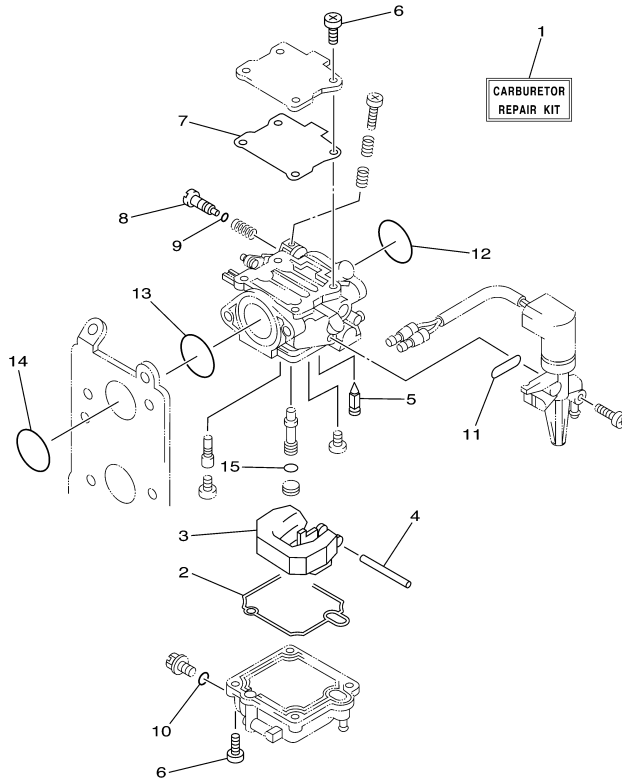
Part Notes

F60TJRB 2003 / REPAIR KIT 1

PART NUMBER	NOTE TEXT
62Y-12414-00-00 	OEM: This part number is among the Top 100 Most Popular Marine Maintenance Parts as of March 2014.

©2014 Yamaha Motor Corporation, U.S.A. All rights reserved.

F60TJRB 2003 / REPAIR KIT 2




69W1100-2340

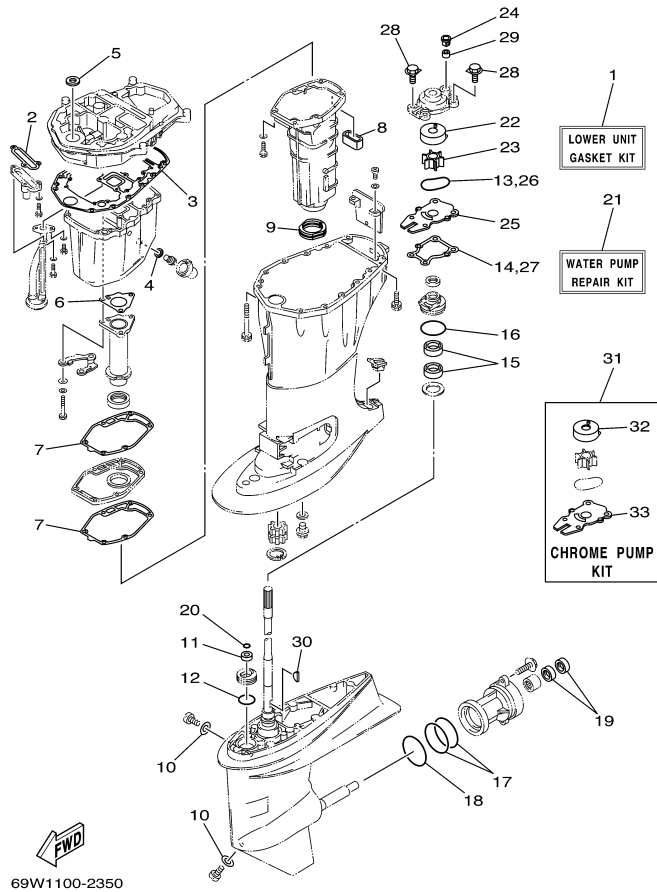
©2014 Yamaha Motor Corporation, U.S.A. All rights reserved.

Part List

F60TJRB 2003 / REPAIR KIT 2

REF - NO	PART NUMBER	PART NAME	QUANTITY	REMARKS
1	69W-W0093-10-00	CARBURETOR REPAIR KIT	1	
2	69W-14384-00-00	.GASKET, FLOAT CHAMBER	1	
3	6L2-14385-00-00	.FLOAT	1	
4	6E5-14386-01-00	.PIN, FLOAT	1	
5	62Y-14392-00-00	.VALVE, NEEDLE	1	
6	62Y-14321-00-00	.SCREW, THROTTLE	8	
7	69W-14399-00-00	.VALVE, BIMETAL	1	
8	69W-14323-00-00	.SCREW, AIR ADJUSTING	1	
9	2T4-14397-00-00	.O-RING	1	
10	652-14397-00-00	.O-RING	1	
11	62Y-14398-30-00	.GASKET	1	
12	69W-14561-00-00	.O-RING	4	
13	93210-35M86-00	.O-RING	4	
14	93210-38MH3-00	.O-RING	4	
15	62Y-14227-00-00	.WASHER	4	

F60TJRB 2003 / REPAIR KIT 3



FWD
69W1100-2350

©2014 Yamaha Motor Corporation, U.S.A. All rights reserved.






Part List

F60TJRB 2003 / REPAIR KIT 3

REF - NO	PART NUMBER	PART NAME	QUANTITY	REMARKS
1	69W-W0001-20-00	LOWER UNIT GASKET KIT	1	
2	62Y-13475-00-00	.GASKET	1	
3	69W-15312-00-00	.GASKET, OIL PAN	1	
4	90430-14M09-00	.GASKET	1	
5	93103-18011-00	.OIL SEAL	1	
6	64J-41133-10-00	.GASKET, EXHAUST MANIFOLD 1	1	
7	62Y-41134-01-00	.GASKET, EXHAUST MANIFOLD	2	
8	62Y-45127-00-00	.SEAL	1	
9	67C-45123-00-00	.GASKET, MUFFLER	1	
10	90430-08020-00	.GASKET	2	
11	93106-09014-00	.OIL SEAL	1	
12	93210-33MG4-00	.O-RING	1	
13	93210-59MG7-00	.O-RING	1	
14	63D-44316-00-00	.GASKET, WATER PUMP	1	
15	93101-25M57-00	.OIL SEAL	2	
16	93210-48MG8-00	.O-RING	1	
17	93210-74MG5-00	.O-RING	2	
18	93210-69MG6-00	.O-RING	1	
19	93101-22M00-00	.OIL SEAL	2	
20	93210-07003-00	.O-RING	1	
21	63D-W0078-01-00	WATER PUMP REPAIR KIT	1	
22	63D-44322-00-00	.INSERT, CARTRIDGE	1	
23	6H3-44352-00-00	.IMPELLER	1	
24	63D-44312-00-00	.COVER, WATER PUMP HOUSING	1	
25	63D-44323-00-00	.OUTER PLATE, CARTRIDGE	1	
26	93210-59MG7-00	.O-RING	1	
27	63D-44316-00-00	.GASKET, WATER PUMP	1	
28	90119-08M15-00	.BOLT, WITH WASHER	4	
29	663-44366-00-00	.DAMPER, WATER SEAL 2	1	
30	90280-03024-00	.KEY, WOODRUFF	1	
31	63D-W0078-0A-00	CHROME PUMP KIT	1	
32	63D-44322-40-00	.INSERT, CARTRIDGE	1	
33	63D-44323-40-00	.OUTER PLATE, CARTRIDGE	1	

Part Notes

F60TJRB 2003 / REPAIR KIT 3

PART NUMBER		NOTE TEXT
90430-14M09-00		OEM: This part number is among the Top 100 Most Popular Marine Maintenance Parts as of March 2014.
90430-08020-00		OEM: This part number is among the Top 100 Most Popular Marine Maintenance Parts as of March 2014.
93106-09014-00		OEM: This part number is among the Top 100 Most Popular Marine Maintenance Parts as of March 2014.
63D-W0078-01-00		OEM: This part number is among the Top 100 Most Popular Marine Maintenance Parts as of March 2014.
6H3-44352-00-00		OEM: This part number is among the Top 100 Most Popular Marine Maintenance Parts as of March 2014.

©2014 Yamaha Motor Corporation, U.S.A. All rights reserved.

F60TJRB 2003 / MODELS IN THIS CATALOG

F60TLRB (69W2)

Engine Serial No. (F60TLRB): 69WL-1000001 and following

F60TJRB (69W2)

Engine Serial No. (F60TJRB): 69WL-1001437 and following

**ALL THESE MODELS USE THIS SAME PARTS CATALOG.
BE SURE TO ORDER ONLY THOSE PARTS APPLICABLE
TO THE DESIRED MODEL.**

©2014 Yamaha Motor Corporation, U.S.A. All rights reserved.

©2014 Yamaha Motor Corporation, U.S.A. All rights reserved.