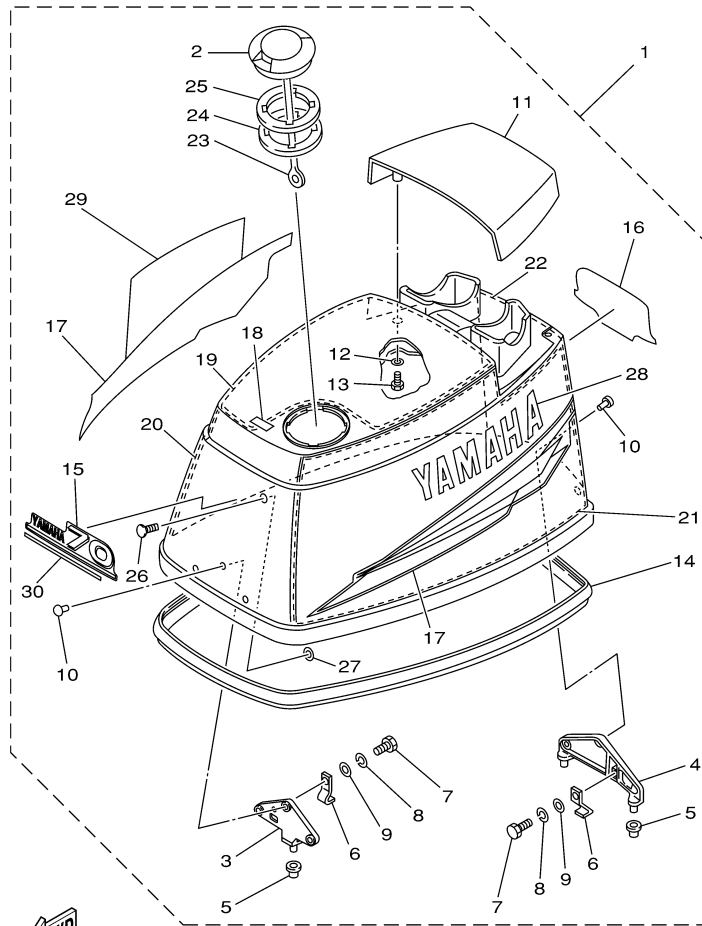


60TLRZ 2001 / TOP COWLING



6H30110-0010

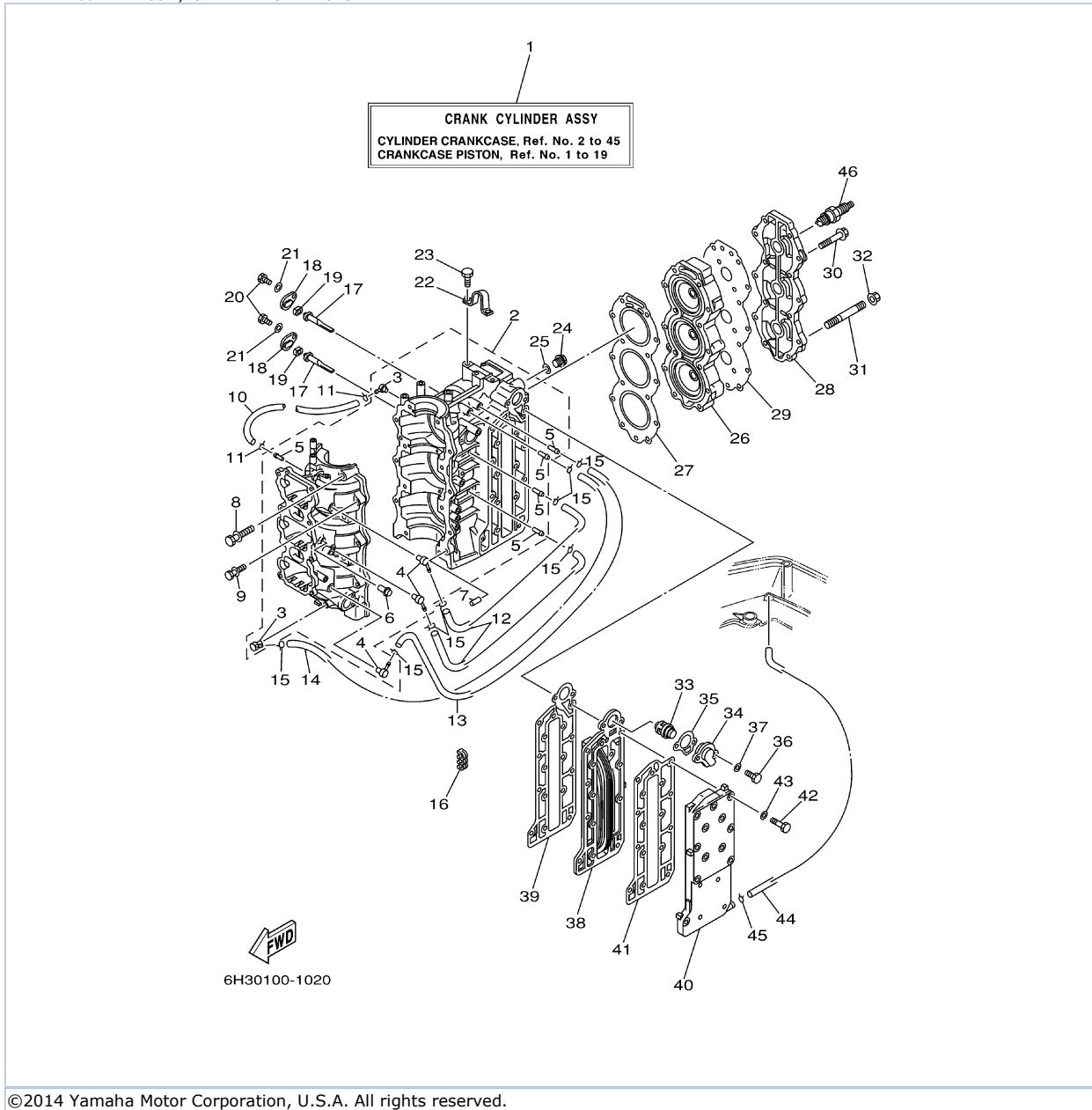
©2014 Yamaha Motor Corporation, U.S.A. All rights reserved.

## Part List

60TLRZ 2001 / TOP COWLING

| REF<br>-<br>NO | PART<br>NUMBER  | PART NAME           | QUANTITY | REMARKS |
|----------------|-----------------|---------------------|----------|---------|
| 1              | 6H2-42610-W0-4D | TOP COWING ASSY     | 1        | 60TLRZ  |
| 1              | 6H3-42610-46-4D | TOP COWLING ASSY    | 1        | 70TLRZ  |
| 2              | 63D-2177H-00-00 | .DISK CAP 2         | 1        |         |
| 3              | 6H3-42647-00-94 | .HOLDER, CLAMP BAND | 1        |         |
| 4              | 6H3-42649-00-94 | .HOLDER, CLAMP BAND | 1        |         |
| 5              | 663-42662-00-00 | .DAMPER             | 3        |         |
| 6              | 6H3-42652-00-00 | .HOOK               | 2        |         |
| 7              | 97095-06016-00  | .BOLT               | 2        |         |
| 8              | 92995-06100-00  | .WASHER, SPRING     | 2        |         |
| 9              | 92995-06600-00  | .WASHER             | 2        |         |
| 10             | 90266-06009-00  | .RIVET              | 6        |         |
| 11             | 6H3-42613-01-4D | .MOLDING, AIR DUCT  | 1        |         |
| 12             | 97095-06016-00  | .BOLT               | 4        |         |
| 13             | 92995-06600-00  | .WASHER             | 4        |         |
| 14             | 6H3-42615-00-00 | .SEAL               | 1        |         |
| 15             | 6H2-42677-30-00 | ..GRAPHIC, FRONT    | 1        | 60TLRZ  |
| 15             | 6H3-42677-30-00 | ..GRAPHIC, FRONT    | 1        | 70TLRZ  |
| 16             | 6H2-42678-30-00 | ..GRAPHIC, REAR     | 1        | 60TLRZ  |
| 16             | 6H3-42678-30-00 | ..GRAPHIC, REAR     | 1        | 70TLRZ  |
| 17             | 6H3-W0070-30-00 | .GRAPHIC SET        | 1        |         |
| 18             | 6H3-13436-40-00 | .MARK               | 1        |         |
| 19             | 6H3-42617-10-00 | .DAMPER, FORM       | 1        |         |
| 20             | 6H3-42619-00-00 | .DAMPER, FORM       | 1        |         |
| 21             | 6H3-42627-00-00 | .DAMPER, FORM       | 1        |         |
| 22             | 6H3-42637-00-00 | .DAMPER, FORM       | 1        |         |
| 23             | 6H1-42694-00-00 | .BAND               | 1        |         |
| 24             | 6H3-21732-00-00 | .SEAL 1             | 1        |         |
| 25             | 6H3-21735-00-00 | .SEAL 2             | 1        |         |
| 26             | 90338-05M03-00  | .PLUG               | 1        |         |
| 27             | 90183-05M06-00  | .NUT, SPRING        | 1        |         |
| 28             | 6H3-42681-30-00 | .MARK, COWLING      | 1        |         |
| 29             | 6H3-42682-30-00 | .MARK, COWLING      | 1        |         |
| 30             | 6H1-42683-20-00 | .MARK, COWLING      | 1        |         |

60TLRZ 2001 / CYLINDER CRANKCASE



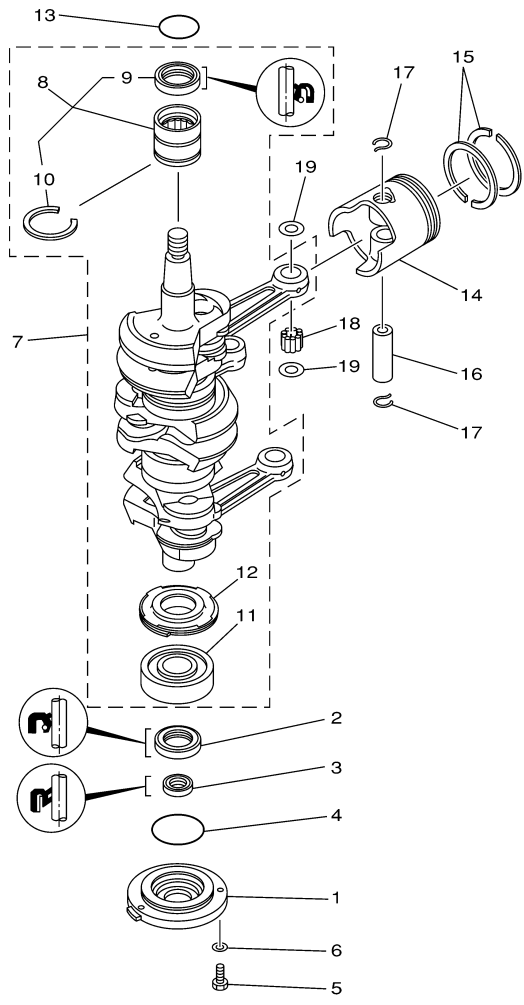
©2014 Yamaha Motor Corporation, U.S.A. All rights reserved.

## Part List

60TLRZ 2001 / CYLINDER CRANKCASE

| REF - NO | PART NUMBER     | PART NAME                    | QUANTITY | REMARKS |
|----------|-----------------|------------------------------|----------|---------|
| 1        | 6H3-W0090-42-4D | CRANK CYLINDER ASSY          | 1        |         |
| 2        | 6H3-15100-13-94 | CRANKCASE ASSY               | 1        |         |
| 3        | 688-11370-00-00 | .CHECK VALVE ASSY            | 2        |         |
| 4        | 650-11370-00-00 | .CHECK VALVE ASSY            | 3        |         |
| 5        | 624-14485-00-00 | .PIPE, JOINT                 | 5        |         |
| 6        | 650-24378-00-00 | .PIPE, JOINT 4               | 1        |         |
| 7        | 93608-12063-00  | PIN, DOWEL                   | 2        |         |
| 8        | 90119-10M07-00  | BOLT, WITH WASHER            | 8        |         |
| 9        | 90119-08M17-00  | BOLT, WITH WASHER            | 6        |         |
| 10       | 90445-07M44-00  | HOSE (L250)                  | 1        |         |
| 11       | 90467-06016-00  | CLIP                         | 2        |         |
| 12       | 90445-07M02-00  | HOSE (L167)                  | 2        |         |
| 13       | 90445-07M45-00  | HOSE (L340)                  | 1        |         |
| 14       | 90445-07M82-00  | HOSE (L440)                  | 1        |         |
| 15       | 90467-06016-00  | CLIP                         | 8        |         |
| 16       | 90464-07M05-00  | CLAMP                        | 1        |         |
| 17       | 6H3-11325-01-00 | ANODE                        | 2        |         |
| 18       | 6H3-11327-00-94 | COVER, ANODE                 | 2        |         |
| 19       | 6H3-11328-00-00 | GROMMET, ANODE               | 2        |         |
| 20       | 97013-06016-00  | BOLT                         | 2        |         |
| 21       | 92903-06600-00  | WASHER, PLATE                | 2        |         |
| 22       | 688-11119-00-00 | HANGER, ENGINE               | 1        |         |
| 23       | 97013-08020-00  | BOLT                         | 2        |         |
| 24       | 90340-14M00-00  | .PLUG, STRAIGHT SCREW        | 1        |         |
| 25       | 90430-14115-00  | .GASKET                      | 1        |         |
| 26       | 6H3-11111-01-94 | HEAD, CYLINDER 1             | 1        |         |
| 27       | 6H3-11181-A1-00 | .GASKET, CYLINDER HEAD 1     | 1        |         |
| 28       | 6H3-11191-00-9M | COVER, CYLINDER HEAD 1       | 1        |         |
| 29       | 6H3-11193-A1-00 | GASKET, HEAD COVER 1         | 1        |         |
| 30       | 90119-08M09-00  | BOLT, WITH WASHER            | 13       |         |
| 31       | 90116-08M69-00  | BOLT, STUD                   | 1        |         |
| 32       | 90179-08M34-00  | NUT                          | 1        |         |
| 33       | 6H3-12411-10-00 | THERMOSTAT                   | 1        |         |
| 34       | 6H3-12413-00-9M | COVER, THERMOSTAT            | 1        |         |
| 35       | 6H3-12414-A1-00 | GASKET, COVER                | 1        |         |
| 36       | 97013-06025-00  | BOLT                         | 2        |         |
| 37       | 92903-06600-00  | WASHER, PLATE                | 2        |         |
| 38       | 6H3-41111-01-9M | INNER COVER, EXHAUST         | 1        |         |
| 39       | 6H3-41112-A0-00 | .GASKET, EXHAUST INNER COVER | 1        |         |
| 40       | 6H3-41113-02-9M | OUTER COVER, EXHAUST         | 1        |         |
| 41       | 6H3-41114-A0-00 | GASKET, EXHAUST OUTER COVER  | 1        |         |
| 42       | 97013-06035-00  | BOLT                         | 16       |         |
| 43       | 92903-06600-00  | WASHER, PLATE                | 16       |         |
| 44       | 663-24312-01-00 | PIPE 2                       | 1        |         |
| 45       | 90467-08004-00  | CLIP                         | 1        |         |
| 46       | NGK-BR8HS-10-00 | PLUG, SPARK (NGK BR8HS-10)   | 3        | 60TLRZ  |
| 46       | NGK-B8HS1-00-00 | PLUG, SPARK (NGK B8HS-10)    | 3        | 70TLRZ  |

60TLRZ 2001 / CRANKSHAFT PISTON



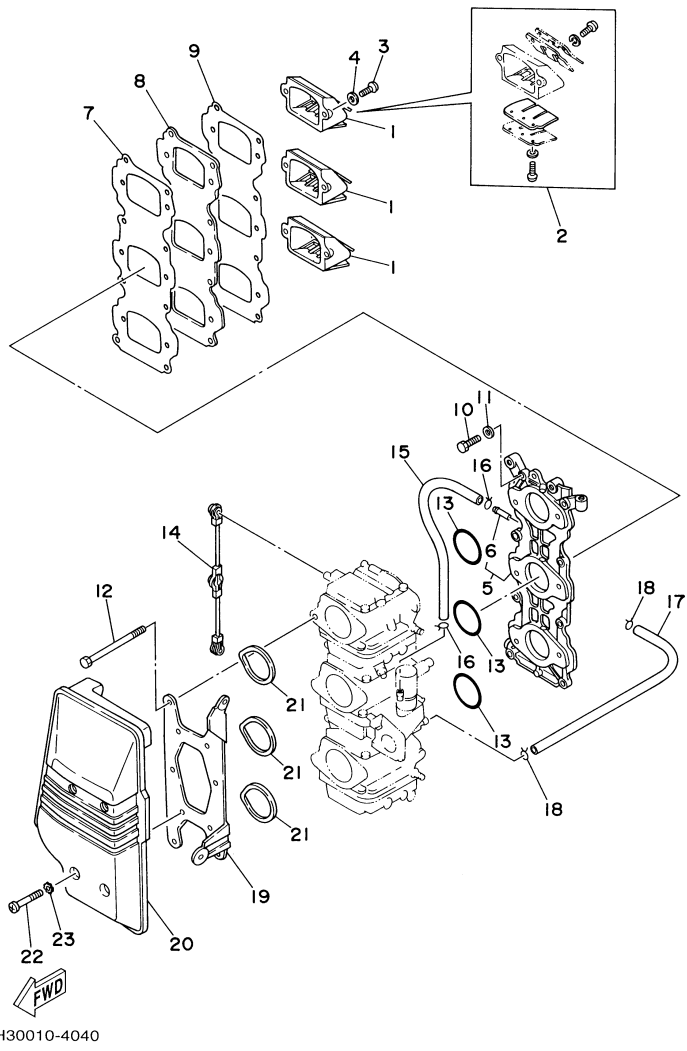
  
6H30010-9030

## Part List

60TLRZ 2001 / CRANKSHAFT PISTON

| REF<br>-<br>NO | PART<br>NUMBER  | PART NAME                        | QUANTITY | REMARKS |
|----------------|-----------------|----------------------------------|----------|---------|
| 1              | 6H3-15359-00-94 | HOUSING, OIL SEAL                | 1        |         |
| 2              | 93102-30M23-00  | OIL SEAL                         | 1        |         |
| 3              | 93106-18M01-00  | OIL SEAL                         | 1        |         |
| 4              | 93210-65M50-00  | .O-RING                          | 1        |         |
| 5              | 97095-06020-00  | BOLT                             | 3        |         |
| 6              | 92995-06600-00  | WASHER                           | 3        |         |
| 7              | 6H3-11400-11-00 | CRANKSHAFT ASSY                  | 1        |         |
| 8              | 93311-636U6-00  | .BEARING                         | 1        |         |
| 9              | 93102-36M24-00  | ..OIL SEAL                       | 1        |         |
| 10             | 93440-49M04-00  | ..CIRCLIP                        | 1        |         |
| 11             | 93306-306V1-00  | .BEARING                         | 1        |         |
| 12             | 6H3-11536-00-00 | .GEAR, DRIVE                     | 1        |         |
| 13             | 93210-46M16-00  | .O-RING                          | 1        |         |
| 14             | 6H3-11631-01-96 | PISTON (STD)                     | 3        |         |
| 14             | 6H3-11635-01-00 | PISTON (0.25MM O/S)              | 3        | AP      |
| 14             | 6H3-11636-01-00 | PISTON (0.50MM O.S.)             | 3        | AP      |
| 15             | 6K5-11601-02-00 | PISTON RING SET (STD)            | 3        |         |
| 15             | 6K5-11601-12-00 | PISTON RING SET (0.25MM<br>O/S)  | 3        | AP      |
| 15             | 6K5-11601-22-00 | PISTON RING SET (0.50MM<br>O.S.) | 3        | AP      |
| 16             | 6H3-11633-00-00 | PIN, PISTON                      | 3        |         |
| 17             | 688-11634-10-00 | CLIP, PISTON PIN                 | 6        |         |
| 18             | 93603-18M09-00  | PIN, DOWEL                       | 84       |         |
| 19             | 90201-20417-00  | WASHER, PLATE                    | 6        |         |

60TLRZ 2001 / INTAKE



©2014 Yamaha Motor Corporation, U.S.A. All rights reserved.

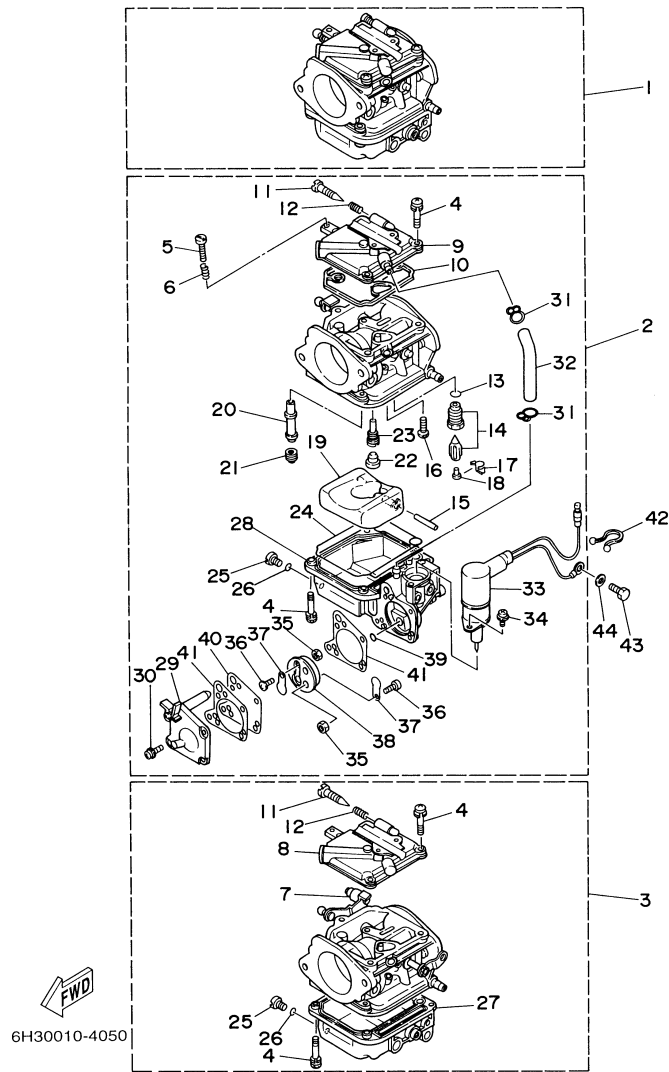
## Part List

60TLRZ 2001 / INTAKE

| REF<br>-<br>NO | PART<br>NUMBER  | PART NAME             | QUANTITY | REMARKS |
|----------------|-----------------|-----------------------|----------|---------|
| 1              | 6H2-13610-00-00 | REED VALVE ASSY       | 3        | 60TLRZ  |
| 1              | 6H3-13610-00-00 | REED VALVE ASSY       | 3        | 70TLRZ  |
| 2              | 688-W0004-00-00 | .REED SET             | 1        |         |
| 3              | 97880-05016-00  | SCREW, PAN HEAD       | 6        |         |
| 4              | 92990-05600-00  | WASHER, PLATE         | 6        |         |
| 5              | 6H3-13641-13-94 | MANIFOLD 1            | 1        |         |
| 6              | 6H1-14485-00-00 | .PIPE, JOINT          | 4        |         |
| 7              | 6H3-13621-A1-00 | .GASKET, VALVE SEAT   | 1        |         |
| 8              | 6H3-13624-00-94 | PLATE, REED VALVE     | 1        |         |
| 9              | 6H3-13622-A1-00 | .GASKET, VALVE SEAT   | 1        |         |
| 10             | 97013-06025-00  | BOLT                  | 8        |         |
| 11             | 92903-06600-00  | WASHER, PLATE         | 8        |         |
| 12             | 97095-06095-00  | BOLT                  | 6        |         |
| 13             | 93210-39ME4-00  | .O-RING               | 3        |         |
| 14             | 6H3-41217-00-00 | ROD, ACCEL. LEVER     | 1        |         |
| 15             | 90445-07255-00  | HOSE (L160)           | 1        |         |
| 16             | 90467-06016-00  | CLIP                  | 2        |         |
| 17             | 6H3-14349-00-00 | .PIPE                 | 1        |         |
| 18             | 90467-08004-00  | CLIP                  | 2        |         |
| 19             | 6H3-14413-10-00 | STAY                  | 1        |         |
| 20             | 6H3-14440-02-00 | SILENCER ASSY, INTAKE | 1        |         |
| 21             | 6H3-14457-01-00 | SEAL                  | 3        |         |
| 22             | 97885-06045-00  | SCREW, PAN HEAD       | 4        |         |
| 23             | 90209-06M05-00  | WASHER                | 4        |         |



60TLRZ 2001 / CARBURETOR



©2014 Yamaha Motor Corporation, U.S.A. All rights reserved.


## Part List

60TLRZ 2001 / CARBURETOR

| REF - NO | PART NUMBER     | PART NAME              | QUANTITY | REMARKS      |
|----------|-----------------|------------------------|----------|--------------|
| 1        | 6H2-14301-0A-00 | CARBURETOR 1 ASSY      | 1        | 60TLRZ       |
| 1        | 6H3-14301-0A-00 | CARBURETOR ASSY 1      | 1        | 70TLRZ       |
| 2        | 6H2-14302-0A-00 | CARBURETOR 2 ASSY      | 1        | 60TLRZ       |
| 2        | 6H3-14302-0A-00 | CARBURETOR ASSY 2      | 1        | 70TLRZ       |
| 3        | 6H2-14303-0A-00 | CARBURETOR 3 ASSY      | 1        | 60TLRZ       |
| 3        | 6H3-14303-0A-00 | CARBURETOR ASSY 3      | 1        | 70TLRZ       |
| 4        | 97980-04114-00  | .SCREW, WITH WASHER    | 21       |              |
| 5        | 63V-14523-00-00 | .SCREW, STOP           | 1        | #2           |
| 6        | 90501-10326-00  | .SPRING, COMPRESSION   | 1        | #2           |
| 7        | 6H2-14578-00-00 | .COLLAR                | 1        | #3           |
| 8        | 6H4-14146-00-00 | ..PLATE                | 2        | #1, 3        |
| 9        | 6H3-14146-10-00 | .PLATE                 | 1        | #2           |
| 10       | 6H4-14147-00-00 | .O-RING                | 3        |              |
| 11       | 692-14923-00-00 | .SCREW, PILOT          | 3        |              |
| 12       | 697-14555-00-00 | .SPRING                | 3        |              |
| 13       | 93210-04228-00  | .O-RING                | 3        |              |
| 14       | 6H3-14590-00-00 | .NEEDLE VALVE ASSEMBLY | 3        |              |
| 15       | 6H4-14548-00-00 | .PIN, FLOAT ARM        | 3        |              |
| 16       | 98580-04008-00  | .SCREW, PAN HEAD       | 3        |              |
| 17       | 663-14159-00-00 | .CLIP                  | 3        |              |
| 18       | 676-14186-00-00 | .PIN, FLOAT            | 3        |              |
| 19       | 6H4-14985-01-00 | .FLOAT                 | 3        |              |
| 20       | 6H2-14947-71-00 | ..JET, NEEDLE          | 3        | 60TLRZ       |
| 20       | 6H3-14947-71-00 | ..JET, NEEDLE          | 3        | 70TLRZ       |
| 21       | 6H3-14943-37-00 | ..JET, MAIN (#150)     | 3        | 70TLRZ       |
| 21       | 6H3-14943-36-00 | ..JET, MAIN (#145)     | 1        | #3 60TLRZ    |
| 21       | 6H3-14943-35-00 | ..JET, MAIN (#140)     | 2        | #1, 2 60TLRZ |
| 22       | 676-14966-00-00 | .CAP                   | 3        |              |
| 23       | 6H3-14948-13-00 | ..JET (#65)            | 3        | 60TLRZ       |
| 23       | 6H3-14948-17-00 | ..JET (#75)            | 3        | 70TLRZ       |
| 24       | 6H4-14984-00-00 | .GASKET, FLOAT CHAMBER | 3        |              |
| 25       | 6H3-14992-00-00 | .SCREW, DRAIN          | 3        |              |
| 26       | 93210-04230-00  | .O-RING                | 3        |              |
| 27       | 6H4-14980-00-00 | ..BODY, FLOAT CHAMBER  | 2        | #1, 3        |
| 28       | 6H3-14980-10-00 | .BODY, FLOAT CHAMBER   | 1        | #2           |
| 29       | 6H3-24452-10-00 | .COVER                 | 1        | #2           |
| 30       | 6H4-14567-00-00 | .SCREW                 | 4        | #2           |
| 31       | 6H3-14137-00-00 | .CLIP                  | 2        | #2           |
| 32       | 6H3-14349-00-00 | .PIPE                  | 1        | #2           |
| 33       | 6H3-14380-00-00 | .STARTER ASSY          | 1        | #2           |
| 34       | 97803-04010-00  | .SCREW, PAN HEAD       | 2        | #2           |
| 35       | 95380-03600-00  | .NUT                   | 2        | #2           |
| 36       | 98980-03006-00  | .SCREW, BIND           | 2        | #2           |
| 37       | 6L5-24421-00-00 | .VALVE, CHECK          | 2        | #2           |
| 38       | 6H4-24413-00-00 | .BODY 2                | 1        | #2           |
| 39       | 6H4-24486-00-00 | .O-RING                | 1        | #2           |
| 40       | 6H3-24411-10-00 | .DIAPHRAGM             | 1        | #2           |
| 41       | 6H3-24434-10-00 | .GASKET, BODY          | 2        | #2           |
| 42       | 90465-18147-00  | CLAMP                  | 1        |              |
| 43       | 97013-06012-00  | BOLT                   | 1        |              |
| 44       | 92903-06600-00  | WASHER, PLATE          | 1        |              |

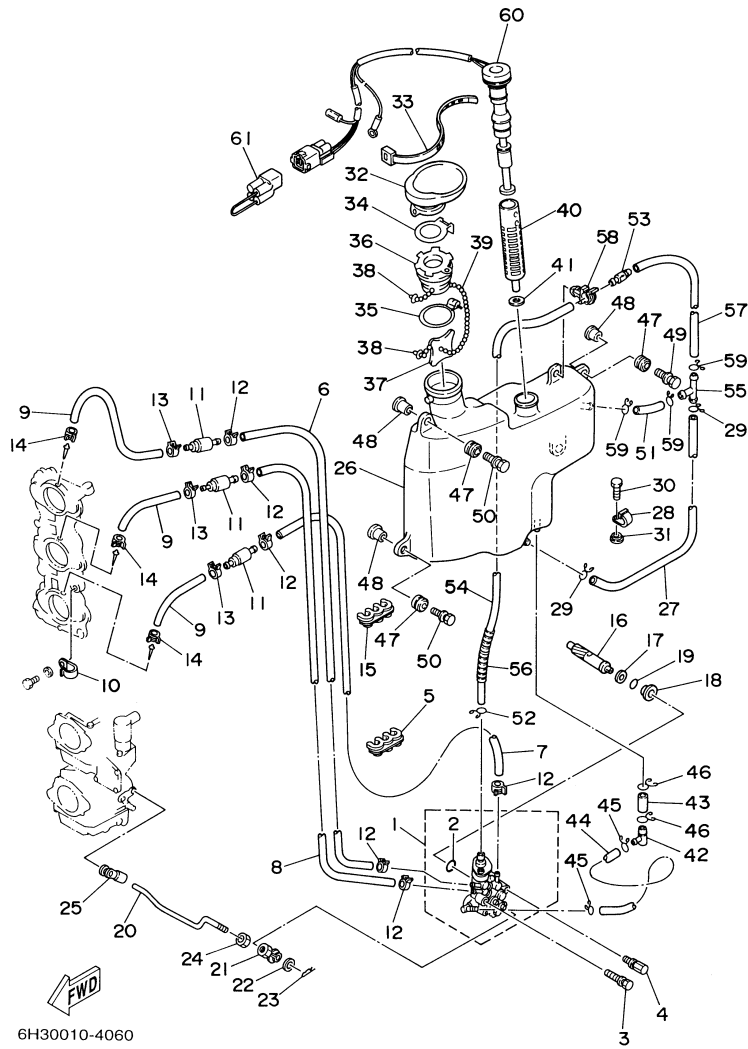
## Part Notes

60TLRZ 2001 / CARBURETOR

| <b>PART<br/>NUMBER</b>  | <b>NOTE TEXT</b>  |
|-------------------------|---|
| 6H3-<br>14380-<br>00-00 |  OEM: The O-Ring for sealing this part to the carburetor body is not shown separately. The Part Number for the O-Ring is 93210-17001-00. |

©2014 Yamaha Motor Corporation, U.S.A. All rights reserved.

60TLRZ 2001 / OIL PUMP



6H30010-4060

©2014 Yamaha Motor Corporation, U.S.A. All rights reserved.

## Part List


60TLRZ 2001 / OIL PUMP

| REF<br>-<br>NO | PART<br>NUMBER  | PART NAME               | QUANTITY | REMARKS |
|----------------|-----------------|-------------------------|----------|---------|
| 1              | 6H3-13200-02-00 | OIL INJECTION PUMP ASSY | 1        |         |
| 2              | 93210-19MA7-00  | .O-RING                 | 1        |         |
| 3              | 90109-06M39-00  | BOLT                    | 1        |         |
| 4              | 90109-06M40-00  | BOLT                    | 1        |         |
| 5              | 90464-07M05-00  | CLAMP                   | 1        |         |
| 6              | 90445-07M44-00  | HOSE (L250)             | 1        |         |
| 7              | 90445-07M23-00  | HOSE (L408)             | 1        |         |
| 8              | 90445-07MA5-00  | HOSE (L150)             | 1        |         |
| 9              | 90445-07M87-00  | HOSE (L110)             | 3        |         |
| 10             | 90465-06M86-00  | .CLAMP                  | 1        |         |
| 11             | 6E9-13183-70-00 | VALVE, CHECK            | 3        |         |
| 12             | 90468-07M02-00  | CLIP                    | 6        |         |
| 13             | 90468-07M02-00  | CLIP                    | 3        |         |
| 14             | 90468-07M02-00  | CLIP                    | 3        |         |
| 15             | 90464-07M05-00  | CLAMP                   | 1        |         |
| 16             | 6H3-11537-01-00 | GEAR, DRIVEN            | 1        |         |
| 17             | 90201-08M93-00  | WASHER, PLATE           | 1        |         |
| 18             | 6H1-13117-01-00 | COLLAR, DISTANCE        | 1        |         |
| 19             | 93210-13M04-00  | O-RING                  | 1        |         |
| 20             | 6H3-41241-01-00 | ROD, LINK               | 1        |         |
| 21             | 6H1-41237-00-00 | JOINT, LINK             | 1        |         |
| 22             | 90202-05088-00  | WASHER, PLATE           | 1        |         |
| 23             | 90468-05M03-00  | CLIP                    | 1        |         |
| 24             | 95380-05600-00  | NUT                     | 1        |         |
| 25             | 6E9-41237-00-00 | JOINT, LINK             | 1        |         |
| 26             | 6H3-21707-06-00 | OIL TANK COMP.          | 1        |         |
| 27             | 90445-11M03-00  | HOSE (L330)             | 1        |         |
| 28             | 90465-11M27-00  | CLAMP                   | 1        |         |
| 29             | 90467-11M08-00  | CLIP                    | 2        |         |
| 30             | 97095-06016-00  | BOLT                    | 1        |         |
| 31             | 90387-06M31-00  | .COLLAR                 | 1        |         |
| 32             | 6H3-21752-00-00 | TUBE, FILLER 1          | 1        |         |
| 33             | 90465-13M30-00  | CLAMP                   | 1        |         |
| 34             | 63D-2176M-00-00 | HOOK                    | 1        |         |
| 35             | 63D-2175R-00-00 | HOOK, BAND              | 1        |         |
| 36             | 6H4-21770-00-00 | OIL TANK CAP ASSY       | 1        |         |
| 37             | 6J8-21758-00-00 | WASHER, SPECIAL 2       | 1        |         |
| 38             | 6H1-21757-00-00 | WASHER, SPECIAL 1       | 2        |         |
| 39             | 6H1-24633-00-00 | CHAIN, BALL             | 1        |         |
| 40             | 6J8-13411-00-00 | STRAINER, OIL           | 1        |         |
| 41             | 6J8-13414-00-00 | GASKET, STRAINER COVER  | 1        |         |
| 42             | 6H1-13435-00-00 | NIPPLE                  | 1        |         |
| 43             | 90445-08M01-00  | HOSE (L30)              | 1        |         |
| 44             | 6H1-21766-01-00 | PIPE, OIL               | 1        |         |
| 45             | 90467-08004-00  | CLIP                    | 2        |         |
| 46             | 90467-12M11-00  | CLIP                    | 2        |         |
| 47             | 6A0-82317-00-00 | DAMPER, IGNITION COIL   | 4        |         |
| 48             | 624-42542-00-00 | PIPE                    | 4        |         |
| 49             | 90119-06M65-00  | BOLT, WITH WASHER       | 2        |         |
| 50             | 90119-06M88-00  | BOLT, WITH WASHER       | 2        |         |
| 51             | 90445-11M21-00  | HOSE (L40)              | 1        |         |
| 52             | 90467-10M04-00  | CLIP                    | 1        |         |
| 53             | 6J8-21744-00-00 | BREATHER                | 1        |         |
| 54             | 90445-11M15-00  | HOSE (L360)             | 1        |         |

|    |                 |                      |   |    |
|----|-----------------|----------------------|---|----|
| 55 | 6E5-24378-00-00 | PIPE, JOINT 3        | 1 |    |
| 56 | 90446-10M01-00  | HOSE (L60)           | 1 |    |
| 57 | 90445-11M02-00  | HOSE (L100)          | 1 |    |
| 58 | 90464-11M23-00  | CLAMP                | 1 |    |
| 59 | 90467-11M08-00  | CLIP                 | 3 |    |
| 60 | 6H3-85720-16-00 | OIL LEVEL GAUGE ASSY | 1 |    |
| 61 | 6R5-82582-B0-00 | COVER, WIRE HARNESS  | 1 | AP |

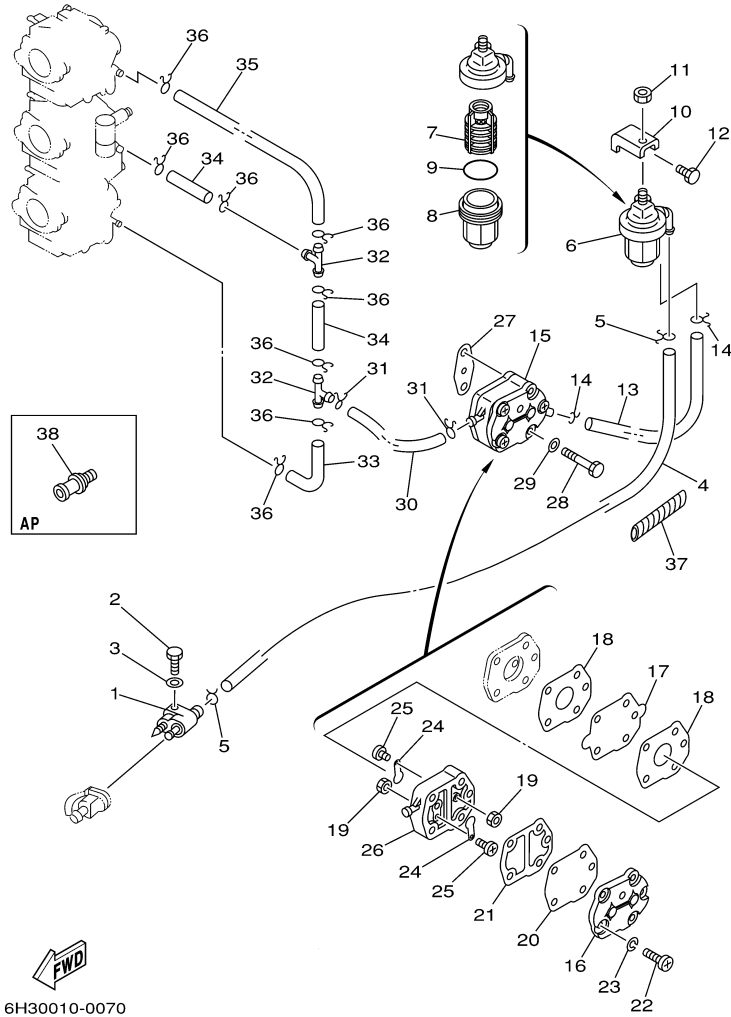
## Part Notes

60TLRZ 2001 / OIL PUMP

| PART NUMBER     |   | NOTE TEXT  |
|-----------------|---|--|
| 6H1-41237-00-00 |  | OEM: This part number is among the Top 100 Most Popular Marine Maintenance Parts as of March 2014. |

©2014 Yamaha Motor Corporation, U.S.A. All rights reserved.

60TLRZ 2001 / FUEL 1



©2014 Yamaha Motor Corporation, U.S.A. All rights reserved.



## Part List

60TLRZ 2001 / FUEL 1

| REF - NO | PART NUMBER     | PART NAME               | QUANTITY | REMARKS     |
|----------|-----------------|-------------------------|----------|-------------|
| 1        | 6G1-24304-02-00 | FUEL PIPE JOINT COMP. 1 | 1        |             |
| 2        | 97095-06025-00  | BOLT                    | 1        |             |
| 3        | 92995-06600-00  | WASHER                  | 1        |             |
| 4        | 90445-09M75-00  | HOSE (L370)             | 1        |             |
| 5        | 90467-08004-00  | CLIP                    | 2        |             |
| 6        | 61N-24560-00-00 | FILTER ASSY             | 1        |             |
| 7        | 61N-24563-00-00 | .ELEMENT, FILTER        | 1        |             |
| 8        | 61N-24521-00-00 | .CUP, FILTER            | 1        |             |
| 9        | 93210-32738-00  | .O-RING                 | 1        |             |
| 10       | 648-24566-02-00 | BRACKET, FILTER         | 1        |             |
| 11       | 95380-08600-00  | NUT                     | 1        |             |
| 12       | 97013-06014-00  | BOLT                    | 1        |             |
| 13       | 90445-09072-00  | HOSE (L120)             | 1        |             |
| 14       | 90467-08004-00  | CLIP                    | 2        |             |
| 15       | 692-24410-00-00 | FUEL PUMP ASSY          | 1        |             |
| 16       | 6A0-24413-00-00 | .BODY 2                 | 1        |             |
| 17       | 692-24411-00-00 | .DIAPHRAGM              | 1        |             |
| 18       | 648-24434-01-00 | .GASKET, BODY           | 2        |             |
| 19       | 95380-03600-00  | .NUT                    | 2        |             |
| 20       | 663-24411-00-00 | .DIAPHRAGM              | 1        |             |
| 21       | 648-24435-02-00 | .GASKET, BODY 2         | 1        |             |
| 22       | 98503-05028-00  | .SCREW, PAN HEAD        | 3        |             |
| 23       | 92990-05100-00  | .WASHER, SPRING         | 3        |             |
| 24       | 6A0-24421-01-00 | .VALVE, CHECK           | 2        |             |
| 25       | 6A0-14325-00-00 | .SCREW, PAN HEAD        | 2        |             |
| 26       | 6A0-24412-02-00 | .BODY 1                 | 1        |             |
| 27       | 650-24431-A0-00 | GASKET, FUEL PUMP 1     | 1        |             |
| 28       | 97095-06040-00  | .BOLT                   | 2        |             |
| 29       | 92995-06600-00  | WASHER                  | 2        |             |
| 30       | 90445-09072-00  | HOSE (L120)             | 1        |             |
| 31       | 90467-08004-00  | CLIP                    | 2        |             |
| 32       | 688-24378-00-00 | PIPE, JOINT 3           | 2        |             |
| 33       | 6H3-24313-00-00 | PIPE 3                  | 1        |             |
| 34       | 90445-09220-00  | HOSE (L30)              | 2        |             |
| 35       | 6H3-24314-00-00 | PIPE 4                  | 1        |             |
| 36       | 90467-08004-00  | CLIP                    | 8        |             |
| 37       | 90446-10M01-00  | HOSE (L60)              | 1        |             |
| 38       | 6E0-28193-00-94 | PLUG, WATER CHECK       | 1        | AP D:12.5MM |

## Part Notes

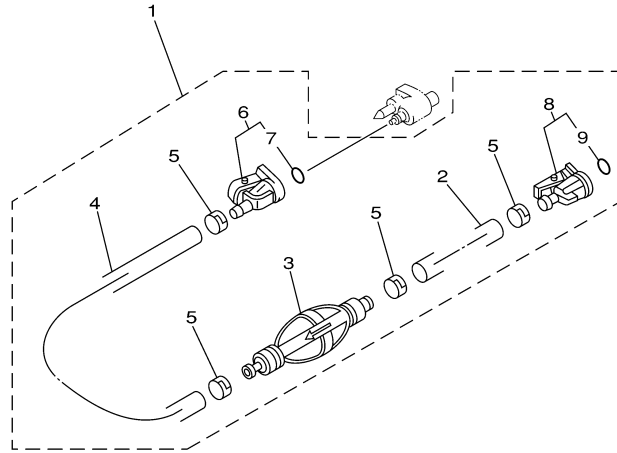
60TLRZ 2001 / FUEL 1

| PART NUMBER   | NOTE TEXT  |
|---|--|
| 692-24410-00-00  | OEM: This part number is among the Top 100 Most Popular Marine Maintenance Parts as of March 2014. |
| 650-24431-A0-00  | OEM: This part number is among the Top 100 Most Popular Marine Maintenance Parts as of March 2014. |

©2014 Yamaha Motor Corporation, U.S.A. All rights reserved.



60TLRZ 2001 / FUEL 2



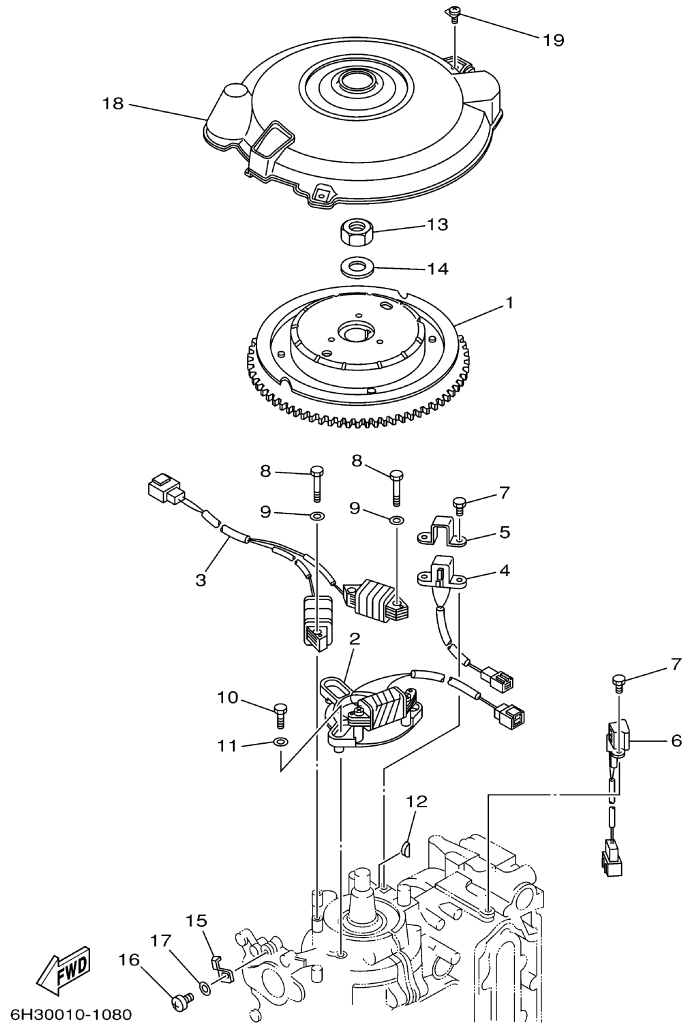
67C0100-0100

## Part List

60TLRZ 2001 / FUEL 2

| REF<br>-<br>NO | PART<br>NUMBER  | PART NAME               | QUANTITY | REMARKS |
|----------------|-----------------|-------------------------|----------|---------|
| 1              | 6Y1-24306-53-00 | FUEL PIPE COMP. 1       | 1        | AP      |
| 2              | 90445-11M06-00  | .HOSE (L2050)           | 1        |         |
| 3              | 6Y1-24360-52-00 | .PRIMER PUMP ASSY       | 1        |         |
| 4              | 90445-11M05-00  | .HOSE (L850)            | 1        |         |
| 5              | 650-24351-51-00 | .BAND 1                 | 4        |         |
| 6              | 6G1-24305-03-00 | .FUEL PIPE JOINT COMP 2 | 1        |         |
| 7              | 93210-08287-00  | ..O-RING                | 1        |         |
| 8              | 6Y1-24305-04-00 | .FUEL PIPE JOINT COMP 2 | 1        |         |
| 9              | 93210-08287-00  | ..O-RING                | 1        |         |

60TLRZ 2001 / GENERATOR



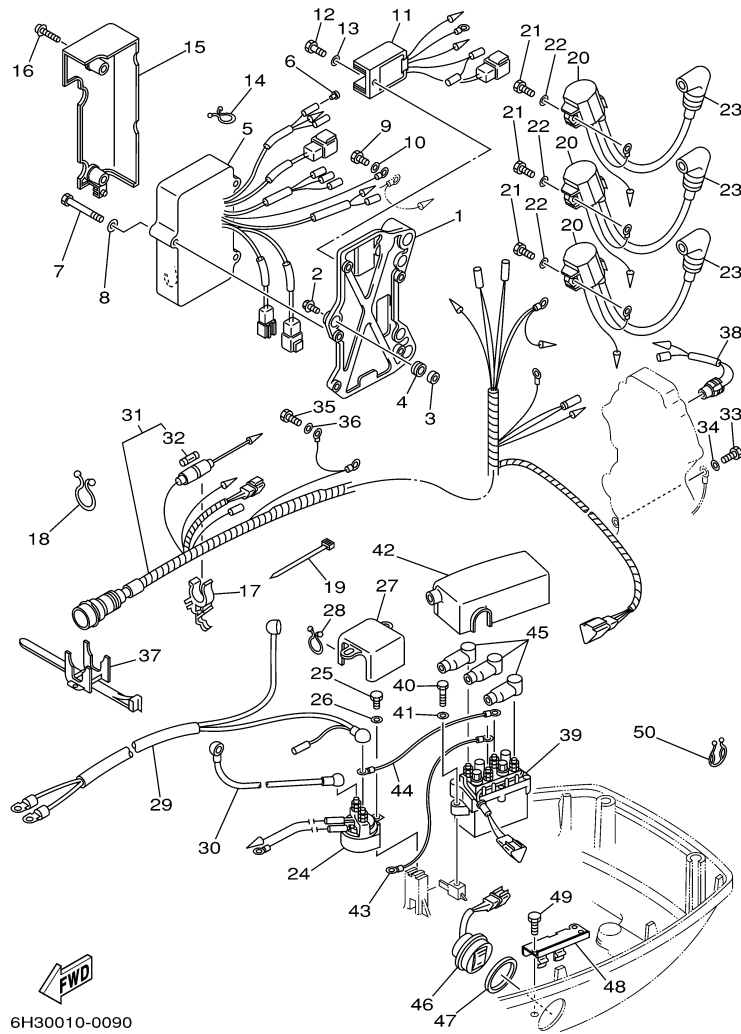
©2014 Yamaha Motor Corporation, U.S.A. All rights reserved.

## Part List

60TLRZ 2001 / GENERATOR

| REF<br>-<br>NO | PART<br>NUMBER  | PART NAME             | QUANTITY | REMARKS |
|----------------|-----------------|-----------------------|----------|---------|
| 1              | 6H2-85550-00-00 | ROTOR ASSY            | 1        |         |
| 2              | 6H2-85520-01-00 | COIL, CHARGE          | 1        |         |
| 3              | 6H2-85533-01-00 | COIL, LIGHTING        | 1        |         |
| 4              | 6H2-85580-01-00 | COIL, PULSER          | 1        |         |
| 5              | 6H2-85582-00-00 | ATTACHMENT, PULSER    | 1        |         |
| 6              | 6H2-85895-01-00 | CRANK POSITION SENDER | 1        |         |
| 7              | 97095-05012-00  | BOLT                  | 4        |         |
| 8              | 97095-06035-00  | BOLT                  | 4        |         |
| 9              | 92995-06600-00  | WASHER                | 4        |         |
| 10             | 97095-06025-00  | BOLT                  | 3        |         |
| 11             | 92995-06600-00  | WASHER                | 3        |         |
| 12             | 90280-05015-00  | KEY, WOODRUFF         | 1        |         |
| 13             | 90170-20137-00  | NUT                   | 1        |         |
| 14             | 90201-21M18-00  | WASHER, PLATE         | 1        |         |
| 15             | 6E5-81332-00-00 | PLATE, TIMING         | 1        |         |
| 16             | 97885-06010-00  | SCREW, PAN HEAD       | 1        |         |
| 17             | 92995-06600-00  | WASHER                | 1        |         |
| 18             | 6H3-81337-01-00 | COVER, FLYWHEEL       | 1        |         |
| 19             | 90159-06M23-00  | SCREW, WITH WASHER    | 3        |         |

60TLRZ 2001 / ELECTRICAL



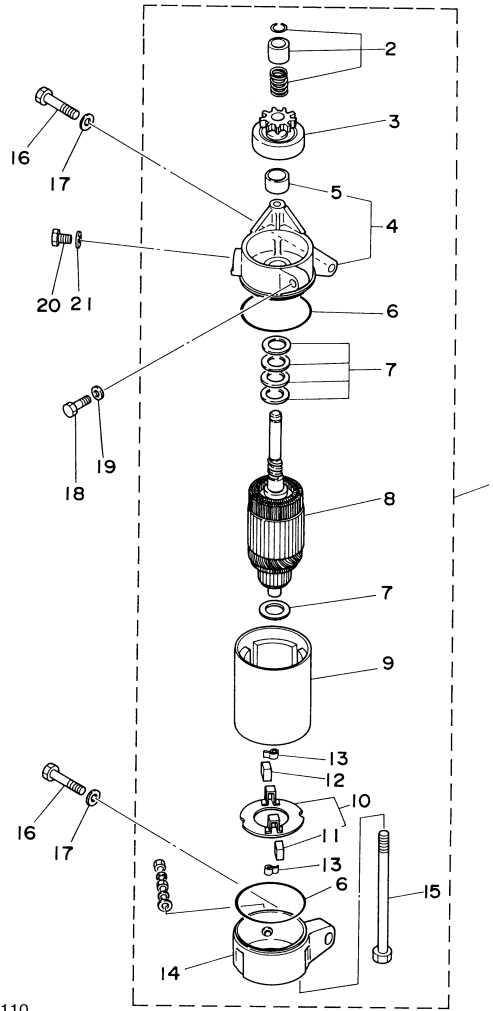
©2014 Yamaha Motor Corporation, U.S.A. All rights reserved.

## Part List

60TLRZ 2001 / ELECTRICAL

| REF - NO | PART NUMBER     | PART NAME                  | QUANTITY | REMARKS |
|----------|-----------------|----------------------------|----------|---------|
| 1        | 6H3-85542-11-94 | BRACKET                    | 1        |         |
| 2        | 90105-06M14-00  | BOLT FLANGE                | 3        |         |
| 3        | 90387-06M43-00  | COLLAR                     | 3        |         |
| 4        | 90480-13M54-00  | GROMMET                    | 3        |         |
| 5        | 6H2-85540-10-00 | C.D.I. UNIT ASSY           | 1        |         |
| 6        | 703-82119-00-00 | COVER, LEAD WIRE           | 1        |         |
| 7        | 97095-06045-00  | .BOLT                      | 3        |         |
| 8        | 92995-06600-00  | WASHER                     | 3        |         |
| 9        | 97013-06012-00  | BOLT                       | 1        |         |
| 10       | 92903-06600-00  | WASHER, PLATE              | 1        |         |
| 11       | 6H2-81960-10-00 | RECTIFIER & REGULATOR ASSY | 1        |         |
| 12       | 97095-06016-00  | BOLT                       | 1        |         |
| 13       | 92995-06600-00  | WASHER                     | 1        |         |
| 14       | 90464-05M16-00  | CLAMP                      | 1        |         |
| 15       | 6H3-81916-10-00 | COVER, TERMINAL            | 1        |         |
| 16       | 90159-06M01-00  | SCREW, WITH WASHER         | 2        |         |
| 17       | 6G5-82152-00-00 | HOLDER, FUSE               | 1        |         |
| 18       | 90464-23M22-00  | CLAMP                      | 1        |         |
| 19       | 90465-13M11-00  | CLAMP                      | 1        |         |
| 20       | 697-85570-00-00 | IGNITION COIL ASSY         | 3        |         |
| 21       | 97013-06020-00  | BOLT                       | 3        |         |
| 22       | 92903-06600-00  | WASHER, PLATE              | 3        |         |
| 23       | 6G1-82370-21-00 | PLUG CAP ASSY              | 3        |         |
| 24       | 688-81950-10-00 | RELAY ASSY                 | 1        |         |
| 25       | 97013-06016-00  | BOLT                       | 1        |         |
| 26       | 92903-06600-00  | WASHER, PLATE              | 1        |         |
| 27       | 6H3-82164-00-00 | CASE 2                     | 1        |         |
| 28       | 90464-15M11-00  | CLAMP                      | 1        |         |
| 29       | 6H3-82105-U0-00 | BATTERY CABLE              | 1        | 70TLRZ  |
| 29       | 6H3-82105-01-00 | BATTERY CABLE              | 1        | 60TLRZ  |
| 30       | 6H3-82117-00-00 | WIRE, LEAD                 | 1        |         |
| 31       | 6H2-82590-13-00 | WIRE HARNESS ASSY          | 1        |         |
| 32       | 682-82151-00-00 | .FUSE (12V-20A)            | 1        |         |
| 33       | 97013-06012-00  | BOLT                       | 1        |         |
| 34       | 92903-06600-00  | WASHER, PLATE              | 1        |         |
| 35       | 97013-06012-00  | BOLT                       | 2        |         |
| 36       | 92903-06600-00  | WASHER, PLATE              | 2        |         |
| 37       | 688-82594-00-00 | CLAMP                      | 1        |         |
| 38       | 688-82560-10-00 | THERMO SWITCH ASSY         | 1        |         |
| 39       | 61A-81950-00-00 | RELAY ASSY                 | 1        |         |
| 40       | 97095-06025-00  | BOLT                       | 2        |         |
| 41       | 92995-06600-00  | WASHER                     | 2        |         |
| 42       | 6H3-82154-11-00 | CASE                       | 1        |         |
| 43       | 6H2-81949-11-00 | WIRE, LEAD                 | 1        |         |
| 44       | 6H2-81949-01-00 | WIRE, LEAD                 | 1        |         |
| 45       | 682-82119-01-00 | COVER, LEAD WIRE           | 3        |         |
| 46       | 6H1-82563-10-00 | TRIM & TILT SWITCH ASSY    | 1        |         |
| 47       | 6E5-82587-00-00 | GASKET                     | 1        |         |
| 48       | 6E5-83614-01-00 | BRACKET                    | 1        |         |
| 49       | 97095-06016-00  | BOLT                       | 2        |         |
| 50       | 90464-18M14-00  | CLAMP                      | 1        |         |

60TLRZ 2001 / STARTING MOTOR



6H30010-4110

©2014 Yamaha Motor Corporation, U.S.A. All rights reserved.

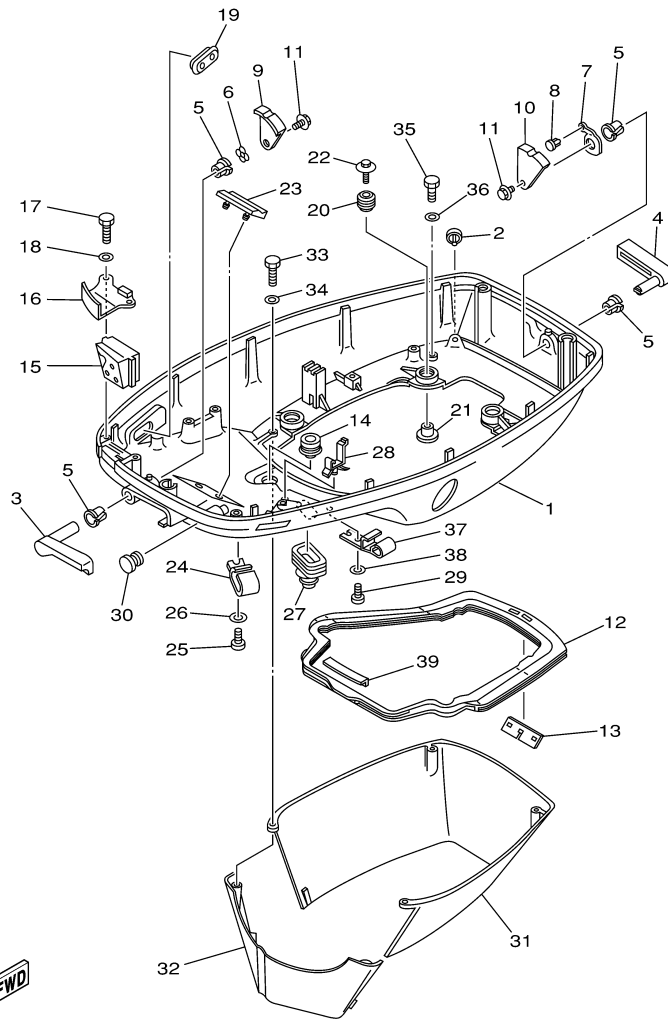
## Part List

60TLRZ 2001 / STARTING MOTOR

| REF<br>-<br>NO | PART<br>NUMBER  | PART NAME                     | QUANTITY | REMARKS |
|----------------|-----------------|-------------------------------|----------|---------|
| 1              | 6H3-81800-11-00 | STARTING MOTOR ASSY           | 1        |         |
| 2              | 689-81857-11-00 | .PINION STOPPER SET           | 1        |         |
| 3              | 6H3-81807-10-00 | .GEAR ASSY, STARTING<br>MOTOR | 1        |         |
| 4              | 6H3-81830-10-00 | .FRONT BRACKET ASSY           | 1        |         |
| 5              | 689-81831-00-00 | ..METAL, FRONT                | 1        |         |
| 6              | 689-81847-11-00 | .O-RING                       | 2        |         |
| 7              | 689-81809-11-00 | .WASHER KIT                   | 1        |         |
| 8              | 689-81850-12-00 | .ARMATURE ASSY                | 1        |         |
| 9              | 6H3-81810-10-00 | .STATOR ASSY                  | 1        |         |
| 10             | 689-81840-11-00 | .BRUSH HOLDER ASSY            | 1        |         |
| 11             | 689-81812-11-00 | ..BRUSH 2                     | 1        |         |
| 12             | 689-81811-11-00 | .BRUSH 1                      | 1        |         |
| 13             | 689-81813-10-00 | .SPRING, BRUSH                | 2        |         |
| 14             | 6H3-81820-11-00 | .REAR BRACKET ASSY            | 1        |         |
| 15             | 689-81826-10-00 | .BOLT                         | 2        |         |
| 16             | 97013-08035-00  | BOLT                          | 2        |         |
| 17             | 92903-08600-00  | WASHER, PLATE                 | 2        |         |
| 18             | 97013-06025-00  | BOLT                          | 1        |         |
| 19             | 92903-06600-00  | WASHER, PLATE                 | 1        |         |
| 20             | 97013-08016-00  | BOLT                          | 1        |         |
| 21             | 92903-08600-00  | WASHER, PLATE                 | 1        |         |



60TLRZ 2001 / BOTTOM COWLING



  
6H30100-0130



## Part List

60TLRZ 2001 / BOTTOM COWLING

| REF - NO | PART NUMBER     | PART NAME           | QUANTITY | REMARKS |
|----------|-----------------|---------------------|----------|---------|
| 1        | 6H3-42711-24-4D | COWLING, BOTTOM     | 1        |         |
| 2        | 6H3-44391-01-00 | NIPPLE, HOSE        | 1        |         |
| 3        | 6H3-42815-01-4D | LEVER, CLAMP        | 1        |         |
| 4        | 6H3-42817-01-4D | LEVER, CLAMP        | 1        |         |
| 5        | 90386-13M38-00  | BUSH                | 4        |         |
| 6        | 90206-13M10-00  | WASHER, WAVE        | 1        |         |
| 7        | 6H3-42813-00-00 | SPRING, CLAMP LEVER | 1        |         |
| 8        | 90269-04M03-00  | RIVET               | 1        |         |
| 9        | 6H3-42816-00-00 | LEVER, CLAMP        | 1        |         |
| 10       | 6H3-42818-00-00 | LEVER, CLAMP        | 1        |         |
| 11       | 90119-06M09-00  | BOLT, WITH WASHER   | 2        |         |
| 12       | 6H3-42716-02-00 | RUBBER, SEAL 1      | 1        |         |
| 13       | 6K5-42717-00-00 | RUBBER, SEAL 2      | 1        |         |
| 14       | 6E5-42724-00-00 | GROMMET             | 1        |         |
| 15       | 6H3-42725-30-00 | GROMMET             | 1        | 70TLRZ  |
| 15       | 6H3-42725-10-00 | GROMMET             | 1        | 60TLRZ  |
| 16       | 6H3-42738-01-5B | PLATE, FITTING      | 1        |         |
| 17       | 97095-06016-00  | BOLT                | 2        |         |
| 18       | 92995-06600-00  | WASHER              | 2        |         |
| 19       | 6H3-42727-00-00 | GROMMET             | 1        |         |
| 20       | 90480-09M12-00  | GROMMET             | 4        |         |
| 21       | 90387-06M69-00  | COLLAR              | 4        |         |
| 22       | 90119-06M61-00  | BOLT, WITH WASHER   | 4        |         |
| 23       | 6H3-42768-00-00 | DAMPER              | 1        |         |
| 24       | 6E5-24367-01-00 | CLAMP, FUEL PIPE 2  | 1        |         |
| 25       | 90157-06M01-00  | SCREW, PAN HEAD     | 1        |         |
| 26       | 92990-06600-00  | WASHER, PLATE       | 1        |         |
| 27       | 688-42726-10-00 | GROMMET             | 1        |         |
| 28       | 90464-09M13-00  | CLAMP               | 1        |         |
| 29       | 90157-06M01-00  | SCREW, PAN HEAD     | 1        |         |
| 30       | 6G1-42748-00-00 | GROMMET             | 1        |         |
| 31       | 6H3-42741-01-4D | APRON               | 1        |         |
| 32       | 6H3-42771-01-4D | APRON               | 1        |         |
| 33       | 97095-06025-00  | BOLT                | 2        |         |
| 34       | 92995-06600-00  | WASHER              | 2        |         |
| 35       | 97095-06020-00  | BOLT                | 2        |         |
| 36       | 92995-06600-00  | WASHER              | 2        |         |
| 37       | 6E5-24367-01-00 | CLAMP, FUEL PIPE 2  | 1        |         |
| 38       | 92990-06600-00  | WASHER, PLATE       | 1        |         |
| 39       | 6H3-42718-00-00 | RUBBER, SEAL 3      | 1        |         |

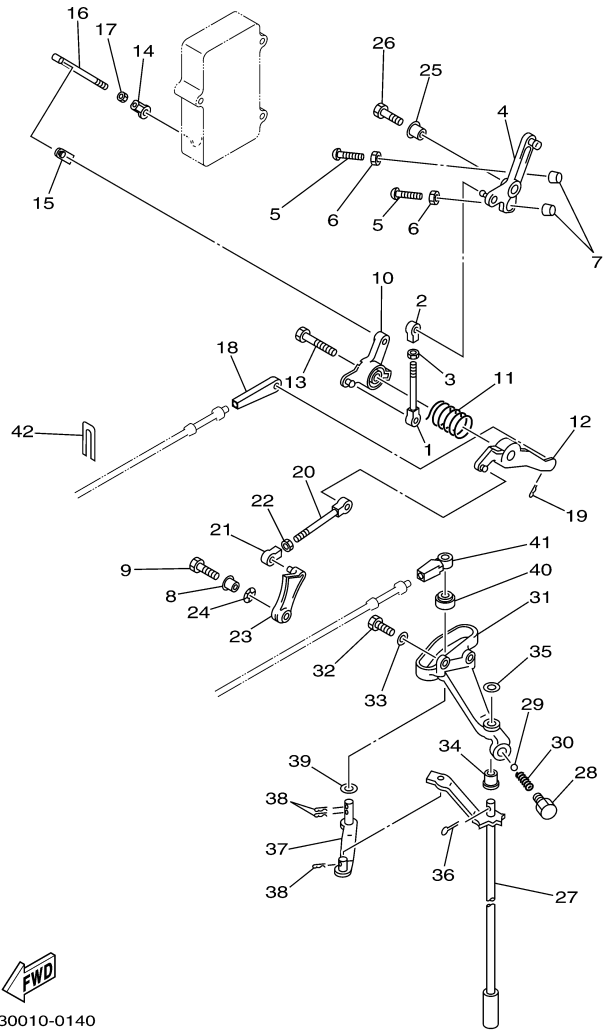
## Part Notes

60TLRZ 2001 / BOTTOM COWLING

| PART NUMBER    | NOTE TEXT  |
|----------------|--|
| 92990-06600-00 |  OEM: This part number is among the Top 100 Most Popular Marine Maintenance Parts as of March 2014. |
| 92990-06600-00 |  OEM: This part number is among the Top 100 Most Popular Marine Maintenance Parts as of March 2014. |

©2014 Yamaha Motor Corporation, U.S.A. All rights reserved.

60TLRZ 2001 / CONTROL



  
6H30010-0140

©2014 Yamaha Motor Corporation, U.S.A. All rights reserved.




## Part List

60TLRZ 2001 / CONTROL

| REF - NO | PART NUMBER     | PART NAME                  | QUANTITY | REMARKS |
|----------|-----------------|----------------------------|----------|---------|
| 1        | 689-42169-01-00 | JOINT                      | 1        |         |
| 2        | 682-41237-00-00 | JOINT, LINK                | 1        |         |
| 3        | 95380-05600-00  | NUT                        | 1        |         |
| 4        | 6H3-41631-00-00 | LEVER, MAGNETO CONTROL     | 1        |         |
| 5        | 90157-06M13-00  | SCREW, PAN HEAD            | 2        |         |
| 6        | 95380-06600-00  | NUT, HEXAGON               | 2        |         |
| 7        | 688-44194-00-00 | CAP                        | 2        |         |
| 8        | 90387-06M60-00  | COLLAR                     | 1        |         |
| 9        | 97095-06025-00  | BOLT                       | 1        |         |
| 10       | 6H3-41632-20-00 | LEVER, MAGNETO CONTROL     | 1        |         |
| 11       | 90508-26M35-00  | SPRING, TORSION            | 1        |         |
| 12       | 6H3-41633-10-00 | LEVER, MAGNETO CONTROL     | 1        |         |
| 13       | 90109-06M43-00  | BOLT                       | 1        |         |
| 14       | 6H1-41237-00-00 | JOINT, LINK                | 1        |         |
| 15       | 6F5-41237-00-00 | JOINT, LINK                | 1        |         |
| 16       | 6H3-41636-10-94 | ROD, MAGNETO CONTROL       | 1        |         |
| 17       | 95380-05600-00  | NUT                        | 1        |         |
| 18       | 6H3-48344-00-00 | CABLE END, REMOTE CONTROL  | 1        |         |
| 19       | 90468-18008-00  | CLIP                       | 1        |         |
| 20       | 689-42169-01-00 | JOINT                      | 1        |         |
| 21       | 6H4-41237-00-00 | JOINT, LINK                | 1        |         |
| 22       | 95380-05600-00  | NUT                        | 1        |         |
| 23       | 6H3-41213-10-00 | CAM, ACCEL.                | 1        |         |
| 24       | 90206-10M04-00  | WASHER, WAVE               | 1        |         |
| 25       | 90387-06M60-00  | COLLAR                     | 1        |         |
| 26       | 97095-06025-00  | BOLT                       | 1        |         |
| 27       | 6H3-44120-12-00 | HANDLE GEAR SHIFT ASSY     | 1        | L       |
| 28       | 648-42715-00-00 | BUSHING                    | 1        |         |
| 29       | 93501-04M02-00  | BALL                       | 1        |         |
| 30       | 90501-12082-00  | SPRING, COMPRESSION        | 1        |         |
| 31       | 6H3-44117-00-94 | BRACKET                    | 1        |         |
| 32       | 97013-06020-00  | BOLT                       | 2        |         |
| 33       | 92903-06600-00  | WASHER, PLATE              | 2        |         |
| 34       | 90386-07M58-00  | BUSH                       | 1        |         |
| 35       | 92990-08200-00  | WASHER, PLAIN              | 1        |         |
| 36       | 91490-20012-00  | PIN. COTTER                | 1        |         |
| 37       | 6H3-44121-01-00 | LEVER, SHIFT ROD           | 1        |         |
| 38       | 90468-18008-00  | CLIP                       | 3        |         |
| 39       | 90202-07M07-00  | WASHER, PLATE              | 1        |         |
| 40       | 688-44122-00-00 | BUSHING, SHIFT ROD LEVER   | 1        |         |
| 41       | 663-48344-00-00 | .CABLE END, REMOTE CONTROL | 1        |         |
| 42       | 6H3-48538-00-00 | .CLAMP, CABLE 1            | 1        |         |

## Part Notes

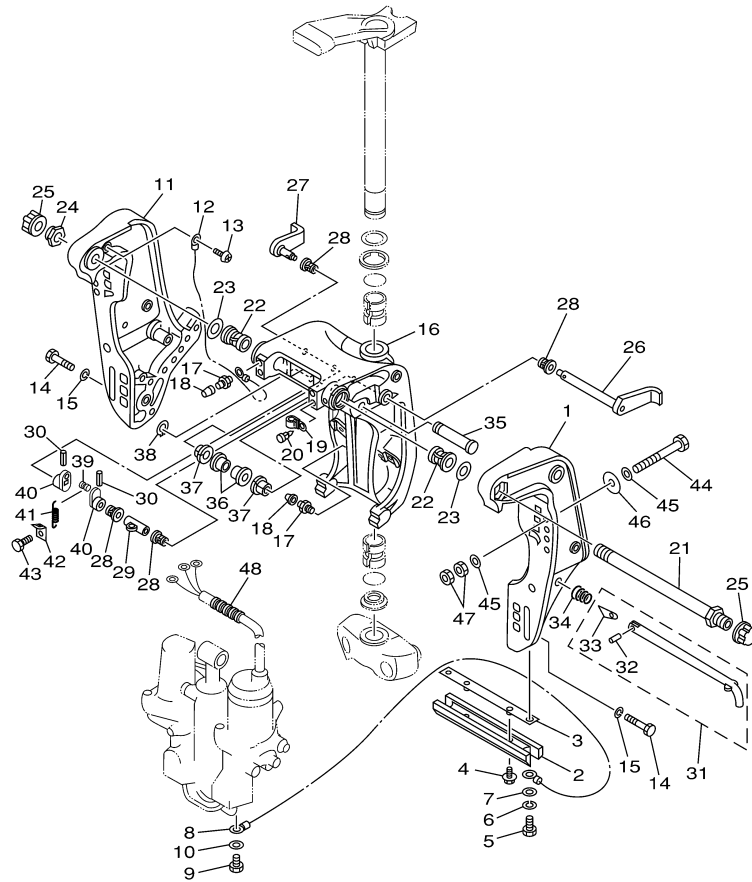
60TLRZ 2001 / CONTROL

| PART NUMBER     |   | NOTE TEXT  |
|-----------------|---|--|
| 6H1-41237-00-00 |  | OEM: This part number is among the Top 100 Most Popular Marine Maintenance Parts as of March 2014. |
| 90468-18008-00  |  | OEM: This part number is among the Top 100 Most Popular Marine Maintenance Parts as of March 2014. |
| 90468-18008-00  |  | OEM: This part number is among the Top 100 Most Popular Marine Maintenance Parts as of March 2014. |

©2014 Yamaha Motor Corporation, U.S.A. All rights reserved.



60TLRZ 2001 / BRACKET 1



6H30010-9150

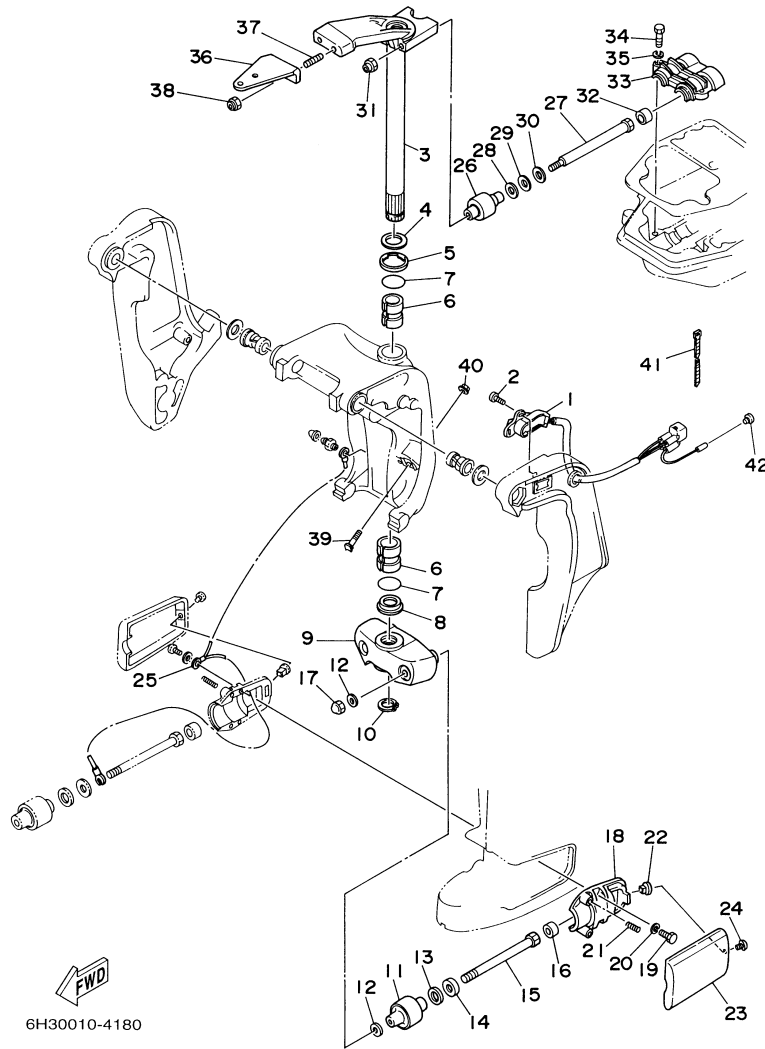
©2014 Yamaha Motor Corporation, U.S.A. All rights reserved.

## Part List

60TLRZ 2001 / BRACKET 1

| REF<br>-<br>NO | PART<br>NUMBER  | PART NAME              | QUANTITY | REMARKS |
|----------------|-----------------|------------------------|----------|---------|
| 1              | 6H1-43111-01-4D | BRACKET, CLAMP 1       | 1        |         |
| 2              | 6H1-45251-03-00 | ANODE                  | 1        |         |
| 3              | 6H1-44526-00-00 | PLATE                  | 1        |         |
| 4              | 90119-06M29-00  | BOLT, WITH WASHER      | 2        |         |
| 5              | 97095-06016-00  | BOLT                   | 2        |         |
| 6              | 92995-06100-00  | WASHER, SPRING         | 2        |         |
| 7              | 92995-06600-00  | WASHER                 | 2        |         |
| 8              | 6H1-82148-00-00 | WIRE, LEAD 4           | 1        |         |
| 9              | 97095-06010-00  | BOLT                   | 1        |         |
| 10             | 92995-06600-00  | WASHER                 | 1        |         |
| 11             | 6H1-43112-00-4D | BRACKET, CLAMP 2       | 1        |         |
| 12             | 6E5-82148-00-00 | WIRE, LEAD 4           | 1        |         |
| 13             | 97880-06012-00  | SCREW, PAN HEAD        | 1        |         |
| 14             | 97095-10045-00  | BOLT                   | 6        |         |
| 15             | 92995-10100-00  | WASHER                 | 6        |         |
| 16             | 6H1-43311-01-4D | BRACKET, SWIVEL 1      | 1        |         |
| 17             | 93700-06M03-00  | NIPPLE, GREASE         | 3        |         |
| 18             | 663-45119-00-00 | CAP, GREASE NIPPLE     | 3        | AP      |
| 19             | 90464-11M18-00  | CLAMP                  | 1        |         |
| 20             | 90338-05M03-00  | PLUG                   | 1        |         |
| 21             | 688-43131-03-00 | BOLT, CLAMP BRACKET    | 1        |         |
| 22             | 90386-22M15-00  | BUSH                   | 2        |         |
| 23             | 90201-22M67-00  | WASHER, PLATE          | 2        |         |
| 24             | 90185-22043-00  | NUT, SELF-LOCKING      | 1        |         |
| 25             | 6G5-43145-00-00 | CAP, CLAMP BRACKET     | 2        |         |
| 26             | 6H1-43181-01-00 | LEVER, TILT STOP       | 1        |         |
| 27             | 6H1-43185-01-00 | LEVER, TILT STOP       | 1        |         |
| 28             | 90386-10M16-00  | BUSH                   | 4        |         |
| 29             | 90387-10M02-00  | COLLAR                 | 1        |         |
| 30             | 91690-30020-00  | PIN, SPRING            | 2        |         |
| 31             | 688-43160-01-00 | TILT ROD ASSY          | 1        |         |
| 32             | 91690-30012-00  | .PIN, SPRING           | 1        |         |
| 33             | 688-43165-00-00 | .PLATE, TILT LOCK      | 1        |         |
| 34             | 90502-16M02-00  | SPRING, CONICAL        | 1        |         |
| 35             | 6E5-43126-02-00 | PIN, UPPER SHOCK MOUNT | 1        |         |
| 36             | 90386-18M63-00  | BUSH                   | 2        |         |
| 37             | 90386-18M35-00  | BUSH                   | 2        |         |
| 38             | 93410-18M02-00  | CIRCLIP                | 1        |         |
| 39             | 90249-06M19-00  | PIN                    | 1        |         |
| 40             | 6G5-43148-00-00 | COLLAR, DISTANCE       | 2        |         |
| 41             | 90506-14M24-00  | SPRING, TENSION        | 1        |         |
| 42             | 6G5-43144-00-00 | HOOK, SPRING           | 1        |         |
| 43             | 97095-06010-00  | BOLT                   | 1        |         |
| 44             | 90101-12M65-00  | BOLT                   | 4        |         |
| 45             | 92995-12200-00  | WASHER                 | 8        |         |
| 46             | 90201-12426-00  | WASHER, PLATE          | 4        |         |
| 47             | 95380-12600-00  | NUT                    | 8        |         |
| 48             | 90440-14M00-00  | PIPE                   | 1        |         |

60TLRZ 2001 / BRACKET 2



©2014 Yamaha Motor Corporation, U.S.A. All rights reserved.

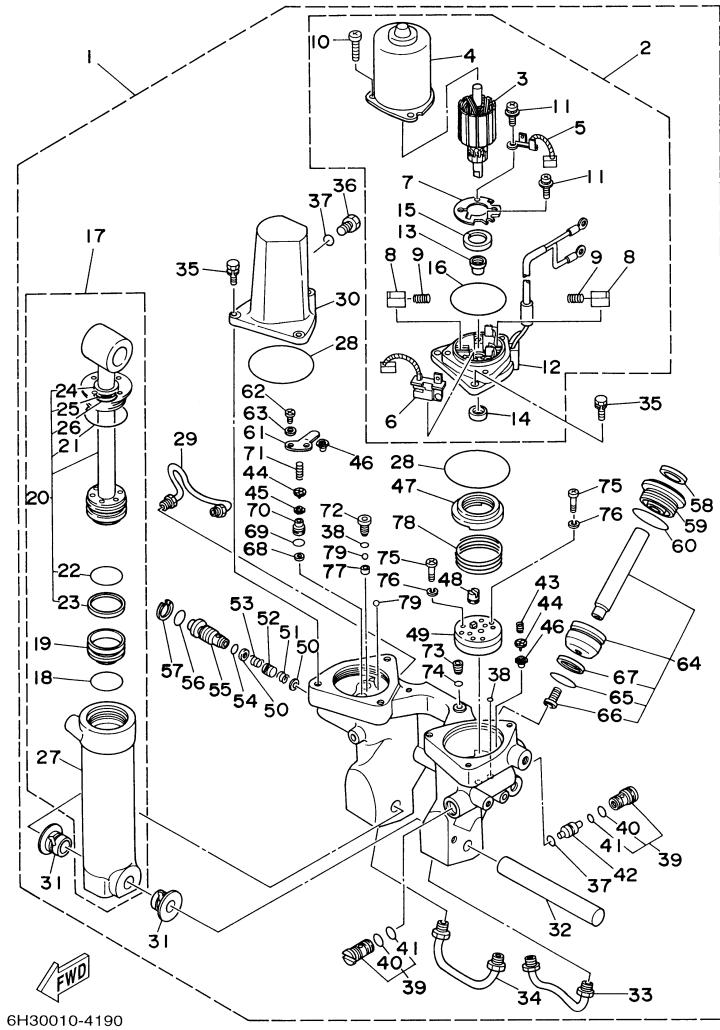


## Part List

60TLRZ 2001 / BRACKET 2

| REF<br>-<br>NO | PART<br>NUMBER  | PART NAME                      | QUANTITY | REMARKS             |
|----------------|-----------------|--------------------------------|----------|---------------------|
| 1              | 6H1-83672-12-00 | TRIM SENDER                    | 1        |                     |
| 2              | 97885-06016-00  | SCREW, PAN HEAD                | 2        |                     |
| 3              | 6H3-42510-12-4D | STEERING BRACKET ASSY          | 1        |                     |
| 4              | 90201-30M00-00  | WASHER, PLATE                  | 1        |                     |
| 5              | 90386-30M78-00  | BUSH                           | 1        |                     |
| 6              | 90386-30M77-00  | BUSH                           | 2        |                     |
| 7              | 93210-29M94-00  | O-RING                         | 2        |                     |
| 8              | 90386-30M60-00  | BUSH                           | 1        |                     |
| 9              | 6H3-44551-01-4D | HOUSING, LOWER MOUNT<br>RUBBER | 1        |                     |
| 10             | 93410-28M06-00  | CIRCLIP                        | 1        |                     |
| 11             | 687-44555-00-94 | MOUNT DAMPER, LOWER<br>SIDE    | 2        |                     |
| 12             | 90201-12M16-00  | WASHER, PLATE                  | 4        |                     |
| 13             | 90202-25M04-00  | WASHER, PLATE                  | 2        |                     |
| 14             | 90201-13M19-00  | WASHER, PLATE                  | 2        |                     |
| 15             | 90109-12M21-00  | BOLT                           | 2        |                     |
| 16             | 663-44575-00-00 | DAMPER, LOWER MOUNT<br>RUBBER  | 2        |                     |
| 17             | 95380-12800-00  | NUT, CROWN                     | 2        |                     |
| 18             | 6H3-44552-03-94 | HOUSING, LOWER MOUNT<br>RUBBER | 2        |                     |
| 19             | 97075-08025-00  | BOLT                           | 4        |                     |
| 20             | 92995-08100-00  | WASHER                         | 4        |                     |
| 21             | 90501-14M08-00  | SPRING, COMPRESSION            | 4        |                     |
| 22             | 90179-06066-00  | NUT                            | 2        |                     |
| 23             | 6H3-44553-01-4D | COVER, LOWER MOUNT             | 2        |                     |
| 24             | 97885-06016-00  | SCREW, PAN HEAD                | 2        |                     |
| 25             | 688-82127-02-00 | WIRE, LEAD 2                   | 1        |                     |
| 26             | 688-44514-00-94 | MOUNT DAMPER, UPPER<br>SIDE    | 2        |                     |
| 27             | 90101-10M49-00  | BOLT                           | 2        |                     |
| 28             | 90201-20M21-00  | WASHER, PLATE                  | 2        |                     |
| 29             | 90202-20M06-00  | WASHER, PLATE                  | 2        |                     |
| 30             | 90201-11M22-00  | WASHER, PLATE                  | 2        |                     |
| 31             | 90185-10051-00  | NUT, SELF-LOCKING              | 2        |                     |
| 32             | 663-44575-00-00 | DAMPER, LOWER MOUNT<br>RUBBER  | 2        |                     |
| 33             | 688-44511-00-94 | COVER, UPPER MOUNT             | 1        |                     |
| 34             | 97075-08035-00  | BOLT                           | 3        |                     |
| 35             | 92995-08100-00  | WASHER                         | 3        |                     |
| 36             | 6H3-48511-51-4D | HOOK, STEERING                 | 1        | STEERING GUIDE TYPE |
| 37             | 90116-10175-00  | BOLT, STUD                     | 2        |                     |
| 38             | 90185-10051-00  | NUT, SELF-LOCKING              | 2        |                     |
| 39             | 6H1-43376-00-00 | BOLT, THRUST RECEIVER          | 2        |                     |
| 40             | 90185-08057-00  | NUT, SELF-LOCKING              | 2        |                     |
| 41             | 90465-11M10-00  | CLAMP                          | 3        |                     |
| 42             | 703-82119-00-00 | COVER, LEAD WIRE               | 1        |                     |

60TLRZ 2001 / POWER TRIM TILT ASSY



©2014 Yamaha Motor Corporation, U.S.A. All rights reserved.

## Part List




60TLRZ 2001 / POWER TRIM TILT ASSY

| REF<br>-<br>NO | PART<br>NUMBER  | PART NAME                | QUANTITY | REMARKS |
|----------------|-----------------|--------------------------|----------|---------|
| 1              | 6H1-43800-15-4D | POWER TRIM & TILT ASSY   | 1        |         |
| 2              | 6H1-43880-02-00 | .MOTOR ASSY              | 1        |         |
| 3              | 6H1-43805-10-00 | ..ARMATURE ASSY          | 1        |         |
| 4              | 6H1-43804-10-00 | ..STATOR ASSY            | 1        |         |
| 5              | 6H1-43891-10-00 | ..BRUSH 1                | 1        |         |
| 6              | 6H1-43892-10-00 | ..BREAKER COMP (BRUSH 2) | 1        |         |
| 7              | 6H1-4380F-10-00 | ..PLATE, BRUSH HOLDER    | 1        |         |
| 8              | 6H1-4380J-10-00 | ..HOLDER, BRUSH          | 2        |         |
| 9              | 6H1-4386K-10-00 | ..SPRING, BRUSH          | 2        |         |
| 10             | 97885-05016-00  | ..SCREW, PAN HEAD        | 3        |         |
| 11             | 97607-04310-00  | ..SCREW, WITH WASHER     | 2        |         |
| 12             | 6H1-43881-10-00 | ..FRAME, END             | 1        |         |
| 13             | 6H1-4380H-10-00 | ..METAL                  | 1        |         |
| 14             | 93102-08M43-00  | ..OIL SEAL               | 1        |         |
| 15             | 6H1-4380G-10-00 | ..PLATE                  | 1        |         |
| 16             | 6H1-43865-10-00 | ..O-RING                 | 1        |         |
| 17             | 6H1-43840-11-00 | .POWER TILT ASSY         | 1        |         |
| 18             | 6H1-43861-10-00 | ..O-RING                 | 1        |         |
| 19             | 6H1-43814-11-00 | ..PISTON, FREE           | 1        |         |
| 20             | 6H1-43810-11-00 | ..TILT PISTON SUB ASSY   | 1        |         |
| 21             | 6H1-43861-00-00 | ...O-RING                | 1        |         |
| 22             | 6H1-43861-10-00 | ...O-RING                | 1        |         |
| 23             | 6H1-43871-10-00 | ...RING, BACK UP         | 1        |         |
| 24             | 6H1-43812-00-00 | ...SEAL, DUST            | 1        |         |
| 25             | 6H1-43872-10-00 | ...RING, BACK UP         | 1        |         |
| 26             | 93210-18397-00  | ...O-RING                | 1        |         |
| 27             | 6H1-43813-10-00 | ..CYLINDER, TILT         | 1        |         |
| 28             | 93210-64488-00  | .O-RING                  | 2        |         |
| 29             | 6H1-43835-10-00 | .PIPE                    | 1        |         |
| 30             | 6H1-43828-10-00 | .BODY, RESERVOIR         | 1        |         |
| 31             | 90386-18M14-00  | .BUSH                    | 2        |         |
| 32             | 6E5-43818-00-00 | .PIN, LOWER SHOCK MOUNT  | 1        |         |
| 33             | 6H1-43833-10-00 | .PIPE                    | 1        |         |
| 34             | 6H1-43834-00-00 | .PIPE                    | 1        |         |
| 35             | 97595-06420-00  | .BOLT, WITH WASHER       | 6        |         |
| 36             | 6H1-43829-00-00 | .PLUG, RESERVOIR         | 1        |         |
| 37             | 93210-09165-00  | .O-RING                  | 2        |         |
| 38             | 93210-064A5-00  | .O-RING                  | 3        |         |
| 39             | 6T4-43802-03-00 | .VALVE SUB ASSY          | 2        |         |
| 40             | 6H1-43866-00-00 | ..O-RING                 | 1        |         |
| 41             | 6H1-43867-00-00 | ..O-RING                 | 1        |         |
| 42             | 6H1-43841-11-00 | .PISTON, SHUTTLE         | 1        |         |
| 43             | 6H1-43856-10-00 | .SPRING, DOWN RELIEF     | 1        |         |
| 44             | 6H1-43844-10-00 | .PIN, VALVE SUPPORT      | 2        |         |
| 45             | 6H1-4384G-11-00 | .SEAL, RELIEF VALVE      | 1        |         |
| 46             | 6H1-4384F-10-00 | .SEAL, MAIN VALVE        | 2        |         |
| 47             | 6H1-43817-01-00 | .FILTER 2                | 1        |         |
| 48             | 6H1-43831-10-00 | .CONNECTOR, SHAFT        | 1        |         |
| 49             | 6H1-43830-11-00 | .GEAR PUMP ASSY          | 1        |         |
| 50             | 6H1-43847-00-00 | .SEAT, MANUAL VALVE      | 2        |         |
| 51             | 6H1-43899-00-00 | .SPRING, MANUAL RELEASE  | 1        |         |
| 52             | 6H1-4382A-10-00 | .ADAPTOR 1               | 1        |         |
| 53             | 6H1-43854-00-00 | .SPRING, MANUAL RELEASE  | 1        |         |
| 54             | 93210-10M74-00  | .O-RING                  | 1        |         |

|    |                 |                              |   |  |
|----|-----------------|------------------------------|---|--|
| 55 | 6H1-43845-00-00 | .SCREW, MANUAL RELEASE       | 1 |  |
| 56 | 93210-18M75-00  | .O-RING                      | 1 |  |
| 57 | 6H1-43875-00-00 | .RING, SNAP                  | 1 |  |
| 58 | 6H1-43822-10-00 | .SEAL, TRIM DUST             | 2 |  |
| 59 | 6H1-43821-11-00 | .SCREW, TRIM CYLINDER<br>END | 2 |  |
| 60 | 6H1-43861-10-00 | .O-RING                      | 2 |  |
| 61 | 6H1-4384E-20-00 | .SPRING, TRIM                | 1 |  |
| 62 | 98501-05010-00  | .SCREW, PAN HEAD             | 2 |  |
| 63 | 92901-05200-00  | .WASHER, PLAIN               | 2 |  |
| 64 | 6H1-43820-11-00 | .TRIM PISTON SUB ASSY        | 2 |  |
| 65 | 6H1-43864-00-00 | .O-RING                      | 1 |  |
| 66 | 91318-08016-00  | .BOLT, SOCKET HEAD           | 1 |  |
| 67 | 6H1-43874-00-00 | .RING, BACK UP               | 1 |  |
| 68 | 6H1-43816-00-00 | .FILTER 1                    | 1 |  |
| 69 | 6H1-43896-00-00 | .O-RING                      | 1 |  |
| 70 | 6H1-43895-11-00 | .SEAT, RELIEF VALVE          | 1 |  |
| 71 | 6H1-43855-11-00 | .SPRING, UP RELIEF           | 1 |  |
| 72 | 6H1-43843-11-00 | .SCREW, VALVE LOCK           | 1 |  |
| 73 | 6H1-4388E-11-00 | .PLUG, TAPER SCREW           | 1 |  |
| 74 | 6H1-43868-00-00 | .O-RING                      | 1 |  |
| 75 | 98501-04025-00  | .SCREW, PAN HEAD             | 4 |  |
| 76 | 92901-04100-00  | .WASHER, SPRING              | 4 |  |
| 77 | 6H1-4387J-00-00 | .WASHER, SPECIAL 2           | 1 |  |
| 78 | 6H1-4385H-00-00 | .SPRING, SEAL                | 1 |  |
| 79 | 93505-32038-00  | .BALL                        | 2 |  |

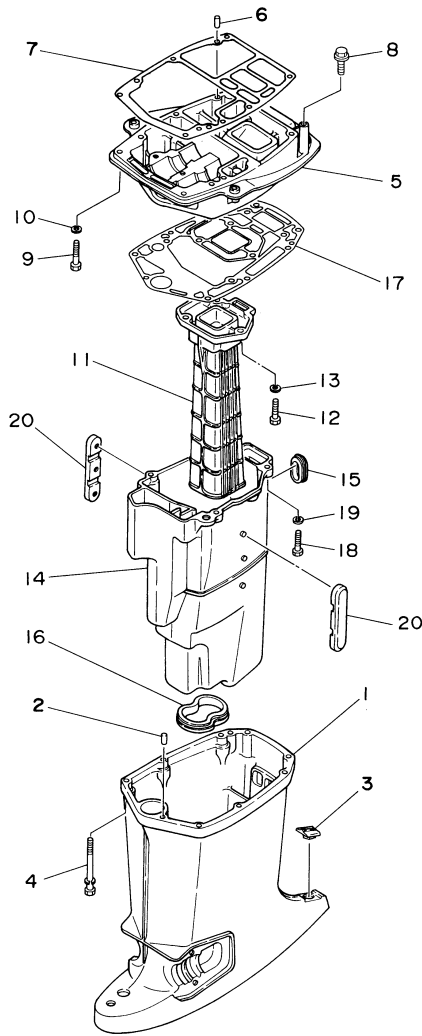
## Part Notes

60TLRZ 2001 / POWER TRIM TILT ASSY

| PART NUMBER     |   | NOTE TEXT  |
|-----------------|---|--|
| 6H1-43861-10-00 |  | OEM: This part number is among the Top 100 Most Popular Marine Maintenance Parts as of March 2014. |
| 6H1-43861-10-00 |  | OEM: This part number is among the Top 100 Most Popular Marine Maintenance Parts as of March 2014. |
| 6H1-43861-10-00 |  | OEM: This part number is among the Top 100 Most Popular Marine Maintenance Parts as of March 2014. |

©2014 Yamaha Motor Corporation, U.S.A. All rights reserved.

60TLRZ 2001 / UPPER CASING



6H30100-4190

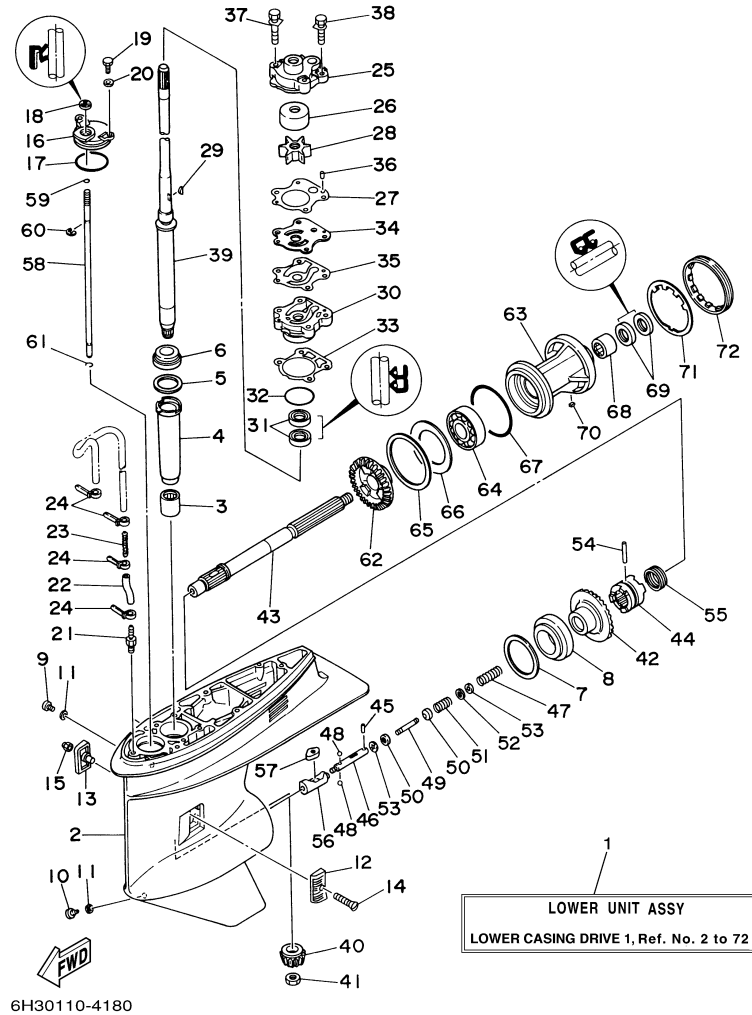
©2014 Yamaha Motor Corporation, U.S.A. All rights reserved.

## Part List

60TLRZ 2001 / UPPER CASING

| REF<br>-<br>NO | PART<br>NUMBER  | PART NAME             | QUANTITY | REMARKS |
|----------------|-----------------|-----------------------|----------|---------|
| 1              | 6H3-45111-11-4D | CASING, UPPER         | 1        | L       |
| 2              | 93606-12019-00  | .PIN, DOWEL           | 2        |         |
| 3              | 6H3-45155-00-00 | CAP                   | 1        |         |
| 4              | 90119-08M81-00  | BOLT, WITH WASHER     | 6        |         |
| 5              | 6H3-41137-01-94 | GUIDE, EXHAUST        | 1        |         |
| 6              | 93606-12019-00  | .PIN, DOWEL           | 2        |         |
| 7              | 6H3-45113-A0-00 | GASKET, UPPER CASING  | 1        |         |
| 8              | 90119-08M79-00  | BOLT, WITH WASHER     | 2        |         |
| 9              | 97075-08035-00  | BOLT                  | 2        |         |
| 10             | 92995-08100-00  | WASHER                | 2        |         |
| 11             | 6H2-41131-00-5B | MANIFOLD, EXT. 1      | 1        | 60TLRZ  |
| 11             | 6H3-41131-00-5B | MANIFOLD, EXT. 1      | 1        | 70TLRZ  |
| 12             | 97075-08030-00  | BOLT                  | 3        |         |
| 13             | 92995-08100-00  | WASHER                | 3        |         |
| 14             | 6H3-14711-10-5B | MUFFLER 1             | 1        | L       |
| 15             | 6H3-45127-00-00 | SEAL                  | 1        |         |
| 16             | 6H3-45123-00-00 | GASKET, MUFFLER       | 1        |         |
| 17             | 6H3-45114-A1-00 | .GASKET, UPPER CASING | 1        |         |
| 18             | 97075-08030-00  | BOLT                  | 4        |         |
| 19             | 92995-08100-00  | WASHER                | 4        |         |
| 20             | 6H3-14737-10-00 | DAMPER, MUFFLER       | 2        | L       |

60TLRZ 2001 / LOWER CASING DRIVE 1



©2014 Yamaha Motor Corporation, U.S.A. All rights reserved.

## Part List

60TLRZ 2001 / LOWER CASING DRIVE 1





| REF - NO | PART NUMBER     | PART NAME               | QUANTITY | REMARKS |
|----------|-----------------|-------------------------|----------|---------|
| 1        | 6H3-45300-15-4D | LOWER UNIT ASSY         | 1        | L       |
| 2        | 6H1-45301-03-4D | CASING, LOWER           | 1        |         |
| 3        | 93315-325V1-00  | BEARING                 | 1        |         |
| 4        | 688-45536-01-00 | SLEEVE, DRIVE SHAFT     | 1        |         |
| 5        | 688-45587-01-12 | SHIM (T:0.12MM)         | 1        | UR      |
| 5        | 688-45587-01-30 | SHIM (T:0.30MM)         | 1        | UR      |
| 5        | 688-45587-01-50 | SHIM (T:0.50MM)         | 1        | UR      |
| 5        | 688-45587-01-40 | SHIM (T:0.40MM)         | 1        | UR      |
| 5        | 688-45587-01-15 | SHIM (T:0.15MM)         | 1        | UR      |
| 5        | 688-45587-01-18 | SHIM (T:0.18MM)         | 1        | UR      |
| 5        | 688-45587-01-10 | SHIM (T:0.10MM)         | 1        | UR      |
| 6        | 93332-000U3-00  | BEARING                 | 1        |         |
| 7        | 688-45567-01-12 | SHIM (T:0.12MM)         | 1        | UR      |
| 7        | 688-45567-01-30 | SHIM (T:0.30MM)         | 1        | UR      |
| 7        | 688-45567-01-50 | SHIM (T:0.50MM)         | 1        | UR      |
| 7        | 688-45567-01-40 | SHIM (T:0.40MM)         | 1        | UR      |
| 7        | 688-45567-01-15 | SHIM (T:0.15MM)         | 1        | UR      |
| 7        | 688-45567-01-18 | SHIM (T:0.18MM)         | 1        | UR      |
| 7        | 688-45567-01-10 | SHIM (T:0.10MM)         | 1        | UR      |
| 8        | 93332-000W7-00  | BEARING                 | 1        |         |
| 9        | 90340-08M04-00  | PLUG, STRAIGHT SCREW    | 1        |         |
| 10       | 688-45341-00-00 | PLUG, DRAIN             | 1        |         |
| 11       | 90430-08020-00  | .GASKET                 | 2        |         |
| 12       | 6H1-45214-00-00 | COVER, WATER INLET 1    | 1        |         |
| 13       | 6H1-45215-00-00 | COVER, WATER INLET 2    | 1        |         |
| 14       | 90151-05M00-00  | SCREW, COUNTERSUNK      | 1        |         |
| 15       | 90185-05002-00  | NUT, NYLON              | 1        |         |
| 16       | 688-45321-00-00 | PLATE                   | 1        |         |
| 17       | 93210-49046-00  | .O-RING                 | 1        |         |
| 18       | 93106-09014-00  | .OIL SEAL               | 1        |         |
| 19       | 97095-06016-00  | BOLT                    | 2        |         |
| 20       | 92995-06600-00  | WASHER                  | 2        |         |
| 21       | 6E5-45378-00-00 | NIPPLE, HOSE            | 1        |         |
| 22       | 90445-07ME9-00  | HOSE (L120)             | 1        | L       |
| 23       | 6E5-83558-10-00 | END, NIPPLE             | 1        |         |
| 24       | 90465-11M10-00  | CLAMP                   | 4        |         |
| 25       | 6H3-44311-00-00 | HOUSING, WATER PUMP     | 1        |         |
| 26       | 663-44322-00-00 | .INSERT, CARTRIDGE      | 1        |         |
| 27       | 6H3-44315-A0-00 | .GASKET, WATER PUMP     | 1        |         |
| 28       | 6H3-44352-00-00 | .IMPELLER               | 1        |         |
| 29       | 90280-03M03-00  | .KEY, WOODRUFF          | 1        |         |
| 30       | 6H3-44341-00-94 | HOUSING, WATER PUMP     | 1        |         |
| 31       | 93101-23070-00  | .OIL SEAL               | 2        |         |
| 32       | 93210-46044-00  | O-RING                  | 1        |         |
| 33       | 688-44316-A0-00 | .GASKET, WATER PUMP     | 1        |         |
| 34       | 6H3-44323-00-00 | .OUTER PLATE, CARTRIDGE | 1        |         |
| 35       | 6H3-44324-A0-00 | .GASKET, CARTRIDGE      | 1        |         |
| 36       | 93604-10M03-00  | PIN, DOWEL              | 2        |         |
| 37       | 90119-08M33-00  | .BOLT, WITH WASHER      | 2        |         |
| 38       | 90119-08M14-00  | .BOLT, WITH WASHER      | 2        |         |
| 39       | 6H3-45501-10-00 | DRIVE SHAFT COMP.       | 1        | L       |
| 40       | 6K5-45551-00-00 | PINION (12T)            | 1        |         |
| 41       | 90170-16M01-00  | NUT                     | 1        |         |
| 42       | 6K5-45560-00-00 | GEAR 1 (28T)            | 1        |         |



|    |                 |                     |   |    |
|----|-----------------|---------------------|---|----|
| 43 | 6H1-45611-01-00 | SHAFT, PROPELLER    | 1 |    |
| 44 | 6H1-45631-01-00 | CLUTCH, DOG         | 1 |    |
| 45 | 93603-12M11-00  | PIN, DOWEL          | 1 |    |
| 46 | 6H1-45634-02-00 | SLIDE, SHIFT        | 1 |    |
| 47 | 90501-16M65-00  | SPRING, COMPRESSION | 1 |    |
| 48 | 93503-16003-00  | BALL                | 2 |    |
| 49 | 6H1-45668-00-00 | SHAFT, FREE 1       | 1 |    |
| 50 | 6H1-45635-00-00 | PLUNGER, SHIFT      | 2 |    |
| 51 | 90501-12M48-00  | SPRING, COMPRESSION | 1 |    |
| 52 | 90201-03313-00  | WASHER, PLATE       | 1 |    |
| 53 | 90183-02M03-00  | NUT, SPRING         | 2 |    |
| 54 | 90250-07M02-00  | PIN, STRAIGHT       | 1 |    |
| 55 | 688-45633-00-00 | RING, CROSS PIN     | 1 |    |
| 56 | 6H1-45641-01-00 | SHIFTER             | 1 |    |
| 57 | 6H1-44151-00-00 | CAM, SHIFT          | 1 |    |
| 58 | 6H1-44144-00-00 | ROD, SHIFT          | 1 |    |
| 59 | 93210-07003-00  | .O-RING             | 1 |    |
| 60 | 93430-08006-00  | CIRCLIP             | 1 |    |
| 61 | 93450-07M00-00  | CIRCLIP             | 1 |    |
| 62 | 6H3-45571-00-00 | GEAR (28T)          | 1 |    |
| 63 | 688-45331-00-94 | HOUSING, BEARING    | 1 |    |
| 64 | 93306-207U0-00  | .BEARING            | 1 |    |
| 65 | 688-45577-01-12 | SHIM (T:0.12MM)     | 1 | UR |
| 65 | 688-45577-01-30 | SHIM (T:0.30MM)     | 1 | UR |
| 65 | 688-45577-01-50 | SHIM (T:0.50MM)     | 1 | UR |
| 65 | 688-45577-01-40 | SHIM (T:0.40MM)     | 1 | UR |
| 65 | 688-45577-01-15 | SHIM (T:0.15MM)     | 1 | UR |
| 65 | 688-45577-01-18 | SHIM (T:0.18MM)     | 1 | UR |
| 65 | 688-45577-01-10 | SHIM (T:0.10MM)     | 1 | UR |
| 66 | 688-45576-00-00 | WASHER, THRUST      | 1 |    |
| 67 | 93210-85M97-00  | O-RING              | 1 |    |
| 68 | 93317-325U0-00  | BEARING             | 1 |    |
| 69 | 93101-25M03-00  | .OIL SEAL           | 2 |    |
| 70 | 90282-04010-00  | KEY, STRAIGHT       | 1 |    |
| 71 | 688-45383-02-00 | WASHER, CLAW        | 1 |    |
| 72 | 688-45384-00-00 | NUT                 | 1 |    |

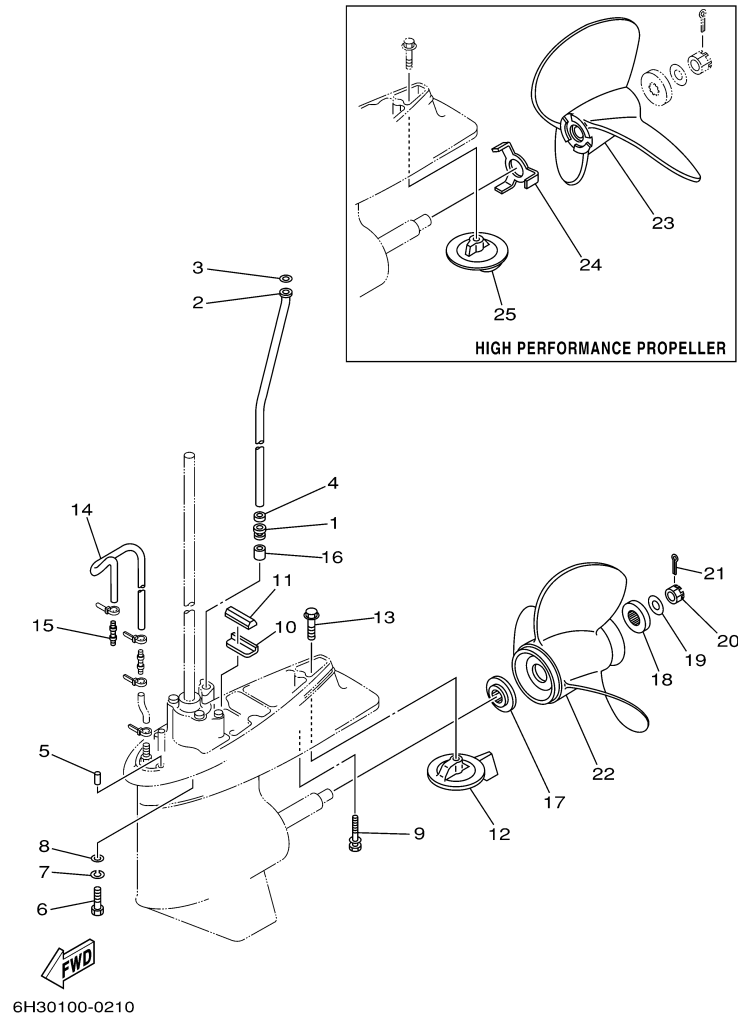
## Part Notes

60TLRZ 2001 / LOWER CASING DRIVE 1

| PART NUMBER     |   | NOTE TEXT  |
|-----------------|---|--|
| 90430-08020-00  |  | OEM: This part number is among the Top 100 Most Popular Marine Maintenance Parts as of March 2014. |
| 93106-09014-00  |  | OEM: This part number is among the Top 100 Most Popular Marine Maintenance Parts as of March 2014. |
| 6H3-44352-00-00 |  | OEM: This part number is among the Top 100 Most Popular Marine Maintenance Parts as of March 2014. |
| 93101-25M03-00  |  | OEM: This part number is among the Top 100 Most Popular Marine Maintenance Parts as of March 2014. |

©2014 Yamaha Motor Corporation, U.S.A. All rights reserved.

60TLRZ 2001 / LOWER CASING DRIVE 2



©2014 Yamaha Motor Corporation, U.S.A. All rights reserved.



## Part List

60TLRZ 2001 / LOWER CASING DRIVE 2

| REF - NO | PART NUMBER     | PART NAME                            | QUANTITY | REMARKS |
|----------|-----------------|--------------------------------------|----------|---------|
| 1        | 663-44367-00-00 | DAMPER, WATER SEAL 3                 | 1        |         |
| 2        | 6H3-44361-10-00 | TUBE, WATER                          | 1        | L       |
| 3        | 90202-12060-00  | WASHER, PLATE                        | 1        |         |
| 4        | 90430-12072-00  | GASKET                               | 1        |         |
| 5        | 93606-12019-00  | .PIN, DOWEL                          | 2        |         |
| 6        | 97075-10040-00  | BOLT                                 | 4        |         |
| 7        | 92990-10100-00  | WASHER, SPRING                       | 4        |         |
| 8        | 92990-10600-00  | WASHER, PLATE                        | 4        |         |
| 9        | 90119-08M84-00  | BOLT, WITH WASHER                    | 1        |         |
| 10       | 663-45376-00-94 | GUIDE, SEAL DAMPER                   | 1        |         |
| 11       | 688-45375-00-00 | DAMPER, SEAL                         | 1        |         |
| 12       | 688-45371-02-00 | TAB-TRIM                             | 1        |         |
| 13       | 90105-10M67-00  | BOLT, FLANGE                         | 1        |         |
| 14       | 90445-07MF1-00  | HOSE (L570)                          | 1        |         |
| 15       | 6E5-83558-00-00 | END, NIPPLE                          | 1        |         |
| 16       | 663-44366-00-00 | .DAMPER, WATER SEAL 2                | 1        |         |
| 17       | 688-45987-01-00 | SPACER 1                             | 1        |         |
| 18       | 688-45997-01-00 | SPACER 2                             | 1        |         |
| 19       | 90201-17M00-00  | WASHER, PLATE                        | 1        |         |
| 20       | 90171-16011-00  | NUT, CASTLE                          | 1        |         |
| 21       | 91490-40025-00  | PIN. COTTER                          | 1        |         |
| 22       | 6E5-45941-00-EL | PROPELLER (3X13"X19"-K)              | 1        | UR      |
| 22       | 688-45930-02-98 | PROPELLER (3X13"X17"-K)              | 1        | UR      |
| 22       | 6E5-45945-01-EL | PROPELLER (3X13-1/4"X17"-K)          | 1        | UR      |
| 22       | 6E5-45947-00-EL | PROPELLER (3X13-1/2"X15"-K)          | 1        | UR      |
| 22       | 6E5-45949-00-EL | PROPELLER (3X13-5/8"X13"-K)          | 1        | UR      |
| 22       | 688-45970-03-98 | PROPELLER (3 X 13-1/2" X 19" -K) ( ) | 1        | UR      |
| 22       | 688-45972-02-98 | PROPELLER (3X13"X21"-K)              | 1        | UR      |
| 22       | 688-45974-02-98 | PROPELLER (3X13"X23"-K)              | 1        | UR      |
| 22       | 688-45978-60-98 | PROPELLER (3X13-1/2"X16"-K)          | 1        | UR      |
| 22       | 688-45932-60-98 | PROPELLER (3X13-1/2"X14"-K)          | 1        | UR      |
| 22       | 6E5-45952-00-EL | PROPELLER (3X13"X23"-K)              | 1        | UR      |
| 22       | 6E5-45954-00-EL | PROPELLER (3X14"X11"-K)              | 1        | UR      |
| 22       | 688-45976-01-98 | PROPELLER (3X13"X25"-K)              | 1        | UR      |
| 22       | 6E5-45956-00-EL | PROPELLER (3X13"X25"-K)              | 1        | UR      |
| 22       | 6E5-45943-00-EL | PROPELLER (3X12-5/8"X21"-K)          | 1        | UR      |
| 23       | 6E5-45972-10-00 | PROPELLER (3X14"X24"-P)              | 1        | UR      |
| 23       | 6E5-45976-10-00 | PROPELLER (3X14"X22"-P)              | 1        | UR      |
| 23       | 6E5-45978-10-00 | PROPELLER (3X14"X26"-P)              | 1        | UR      |
| 24       | 6E5-45994-10-00 | PLATE, TOOTH                         | 1        |         |
| 25       | 6E5-45371-10-00 | TAB-TRIM                             | 1        |         |

## Part Notes

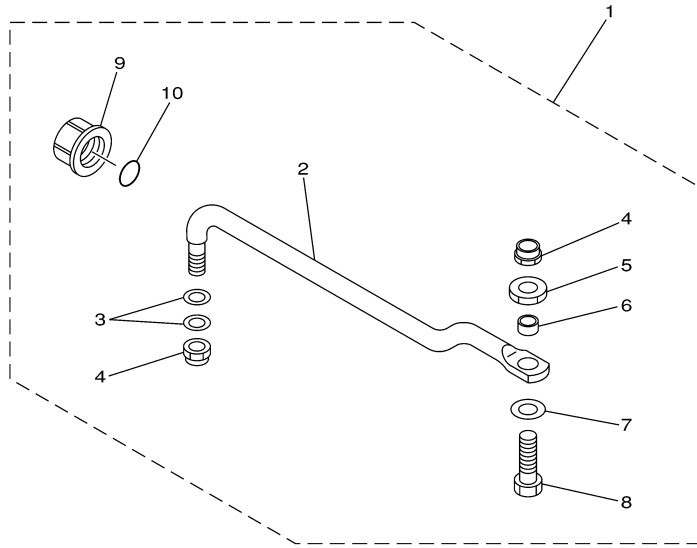
60TLRZ 2001 / LOWER CASING DRIVE 2

| PART NUMBER     |   | NOTE TEXT  |
|-----------------|---|--|
| 92990-10600-00  |  | OEM: This part number is among the Top 100 Most Popular Marine Maintenance Parts as of March 2014. |
| 688-45997-01-00 |  | OEM: This part number is among the Top 100 Most Popular Marine Maintenance Parts as of March 2014. |

©2014 Yamaha Motor Corporation, U.S.A. All rights reserved.



60TLRZ 2001 / STEERING GUIDE



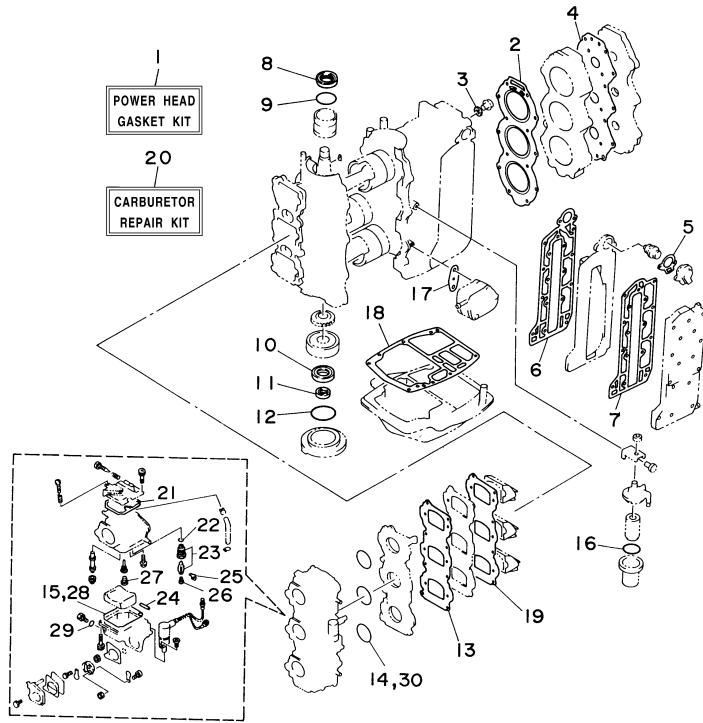
6880700-9190

## Part List

60TLRZ 2001 / STEERING GUIDE

| REF<br>-<br>NO | PART<br>NUMBER  | PART NAME                        | QUANTITY | REMARKS |
|----------------|-----------------|----------------------------------|----------|---------|
| 1              | 688-61350-10-00 | STEERING GUIDE<br>ATTACHMENT KIT | 1        | AP      |
| 2              | 688-61351-10-00 | .ROD, STEERING LINK              | 1        |         |
| 3              | 90201-10M20-00  | .WASHER, PLATE                   | 2        |         |
| 4              | 90185-09M01-00  | .NUT, SELF-LOCKING               | 2        |         |
| 5              | 90170-09M03-00  | .NUT                             | 1        |         |
| 6              | 90387-10M42-00  | .COLLAR                          | 1        |         |
| 7              | 90201-10M63-00  | .WASHER, PLATE                   | 1        |         |
| 8              | 6E5-61355-00-00 | .BOLT                            | 1        |         |
| 9              | 6E5-43145-01-00 | .CAP, CLAMP BRACKET              | 1        |         |
| 10             | 93210-16275-00  | .O-RING                          | 1        |         |

60TLRZ 2001 / REPAIR KIT 1



6H30010-4230

©2014 Yamaha Motor Corporation, U.S.A. All rights reserved.


## Part List

60TLRZ 2001 / REPAIR KIT 1

| REF<br>-<br>NO | PART<br>NUMBER  | PART NAME                       | QUANTITY | REMARKS    |
|----------------|-----------------|---------------------------------|----------|------------|
| 1              | 6H3-W0001-02-00 | POWER HEAD GASKET KIT           | 1        | AUTO CHOKE |
| 2              | 6H3-11181-A1-00 | .GASKET, CYLINDER HEAD 1        | 1        |            |
| 3              | 90430-14115-00  | .GASKET                         | 1        |            |
| 4              | 6H3-11193-A1-00 | .GASKET, HEAD COVER 1           | 1        |            |
| 5              | 6H3-12414-A1-00 | .GASKET, COVER                  | 1        |            |
| 6              | 6H3-41112-A0-00 | .GASKET, EXHAUST INNER<br>COVER | 1        |            |
| 7              | 6H3-41114-A0-00 | .GASKET, EXHAUST OUTER<br>COVER | 1        |            |
| 8              | 93102-36M24-00  | .OIL SEAL                       | 1        |            |
| 9              | 93210-46M16-00  | .O-RING                         | 1        |            |
| 10             | 93102-30M23-00  | .OIL SEAL                       | 1        |            |
| 11             | 93106-18M01-00  | .OIL SEAL                       | 1        |            |
| 12             | 93210-65M50-00  | .O-RING                         | 1        |            |
| 13             | 6H3-13621-A1-00 | .GASKET, VALVE SEAT             | 1        |            |
| 14             | 93210-39ME4-00  | .O-RING                         | 3        |            |
| 15             | 6H4-14984-00-00 | .GASKET, FLOAT CHAMBER          | 3        |            |
| 16             | 93210-32738-00  | .O-RING                         | 1        |            |
| 17             | 650-24431-A0-00 | .GASKET, FUEL PUMP 1            | 1        |            |
| 18             | 6H3-45113-A0-00 | .GASKET, UPPER CASING           | 1        |            |
| 19             | 6H3-13622-A1-00 | .GASKET, VALVE SEAT             | 1        |            |
| 20             | 6H2-W0093-10-00 | CARBURETOR REPAIR KIT           | 1        | AUTO CHOKE |
| 21             | 6H4-14147-00-00 | .O-RING                         | 1        |            |
| 22             | 93210-04228-00  | .O-RING                         | 1        |            |
| 23             | 6H3-14590-00-00 | .NEEDLE VALVE ASSEMBLY          | 1        |            |
| 24             | 6H4-14548-00-00 | .PIN, FLOAT ARM                 | 1        |            |
| 25             | 663-14159-00-00 | .CLIP                           | 1        |            |
| 26             | 676-14186-00-00 | .PIN, FLOAT                     | 1        |            |
| 27             | 676-14966-00-00 | .CAP                            | 1        |            |
| 28             | 6H4-14984-00-00 | .GASKET, FLOAT CHAMBER          | 1        |            |
| 29             | 93210-04230-00  | .O-RING                         | 1        |            |
| 30             | 93210-39ME4-00  | .O-RING                         | 1        |            |

## Part Notes

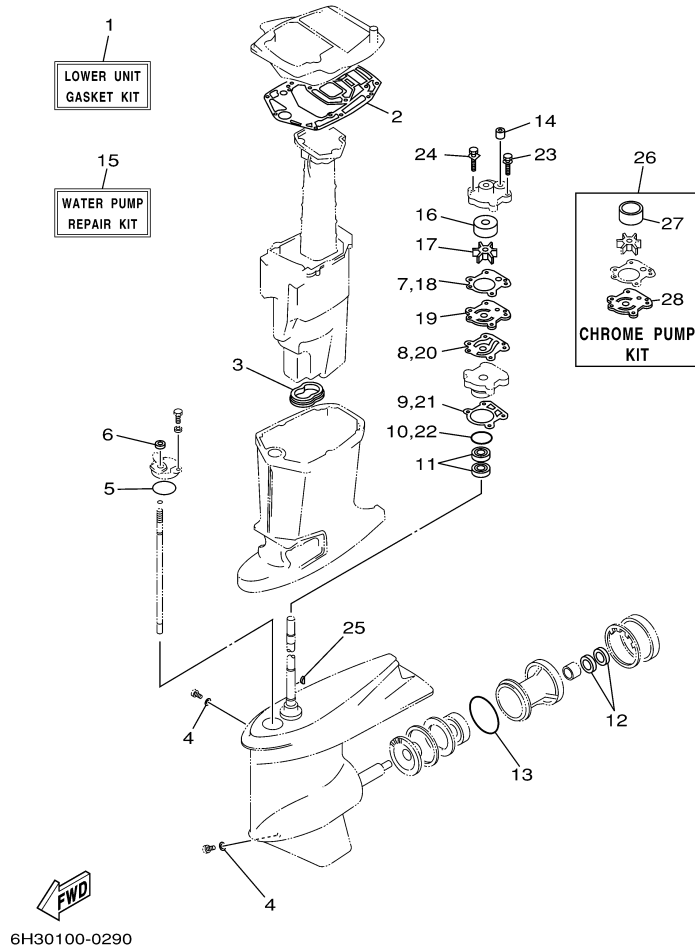
60TLRZ 2001 / REPAIR KIT 1

| PART NUMBER   | NOTE TEXT  |
|---|--|
| 650-24431-A0-00  | OEM: This part number is among the Top 100 Most Popular Marine Maintenance Parts as of March 2014. |

©2014 Yamaha Motor Corporation, U.S.A. All rights reserved.



60TLRZ 2001 / REPAIR KIT 2



©2014 Yamaha Motor Corporation, U.S.A. All rights reserved.





## Part List

60TLRZ 2001 / REPAIR KIT 2

| REF - NO | PART NUMBER     | PART NAME               | QUANTITY | REMARKS |
|----------|-----------------|-------------------------|----------|---------|
| 1        | 6H3-W0001-22-00 | LOWER UNIT GASKET KIT   | 1        |         |
| 2        | 6H3-45114-A1-00 | .GASKET, UPPER CASING   | 1        |         |
| 3        | 6H3-45123-00-00 | .GASKET, MUFFLER        | 1        |         |
| 4        | 90430-08020-00  | .GASKET                 | 2        |         |
| 5        | 93210-49046-00  | .O-RING                 | 1        |         |
| 6        | 93106-09014-00  | .OIL SEAL               | 1        |         |
| 7        | 6H3-44315-A0-00 | .GASKET, WATER PUMP     | 1        |         |
| 8        | 6H3-44324-A0-00 | .GASKET, CARTRIDGE      | 1        |         |
| 9        | 688-44316-A0-00 | .GASKET, WATER PUMP     | 1        |         |
| 10       | 93210-46044-00  | .O-RING                 | 1        |         |
| 11       | 93101-23070-00  | .OIL SEAL               | 2        |         |
| 12       | 93101-25M03-00  | .OIL SEAL               | 2        |         |
| 13       | 93210-85M97-00  | .O-RING                 | 1        |         |
| 14       | 663-44366-00-00 | .DAMPER, WATER SEAL 2   | 1        |         |
| 15       | 6H3-W0078-02-00 | WATER PUMP REPAIR KIT   | 1        |         |
| 16       | 663-44322-00-00 | .INSERT, CARTRIDGE      | 1        |         |
| 17       | 6H3-44352-00-00 | .IMPELLER               | 1        |         |
| 18       | 6H3-44315-A0-00 | .GASKET, WATER PUMP     | 1        |         |
| 19       | 6H3-44323-00-00 | .OUTER PLATE, CARTRIDGE | 1        |         |
| 20       | 6H3-44324-A0-00 | .GASKET, CARTRIDGE      | 1        |         |
| 21       | 688-44316-A0-00 | .GASKET, WATER PUMP     | 1        |         |
| 22       | 93210-46044-00  | .O-RING                 | 1        |         |
| 23       | 90119-08M14-00  | .BOLT, WITH WASHER      | 2        |         |
| 24       | 90119-08M33-00  | .BOLT, WITH WASHER      | 2        |         |
| 25       | 90280-03M03-00  | .KEY, WOODRUFF          | 1        |         |
| 26       | 6H3-W0078-1A-00 | CHROME PUMP KIT         | 1        |         |
| 27       | 663-44322-40-00 | .INSERT, CARTRIDGE      | 1        |         |
| 28       | 6H3-44323-40-00 | .OUTER PLATE, CARTRIDGE | 1        |         |

## Part Notes

60TLRZ 2001 / REPAIR KIT 2

| PART NUMBER   | NOTE TEXT  |
|---|--|
| 90430-08020-00   | OEM: This part number is among the Top 100 Most Popular Marine Maintenance Parts as of March 2014. |
| 93106-09014-00   | OEM: This part number is among the Top 100 Most Popular Marine Maintenance Parts as of March 2014. |
| 93101-25M03-00   | OEM: This part number is among the Top 100 Most Popular Marine Maintenance Parts as of March 2014. |
| 6H3-44352-00-00  | OEM: This part number is among the Top 100 Most Popular Marine Maintenance Parts as of March 2014. |

©2014 Yamaha Motor Corporation, U.S.A. All rights reserved.

©2014 Yamaha Motor Corporation, U.S.A. All rights reserved.