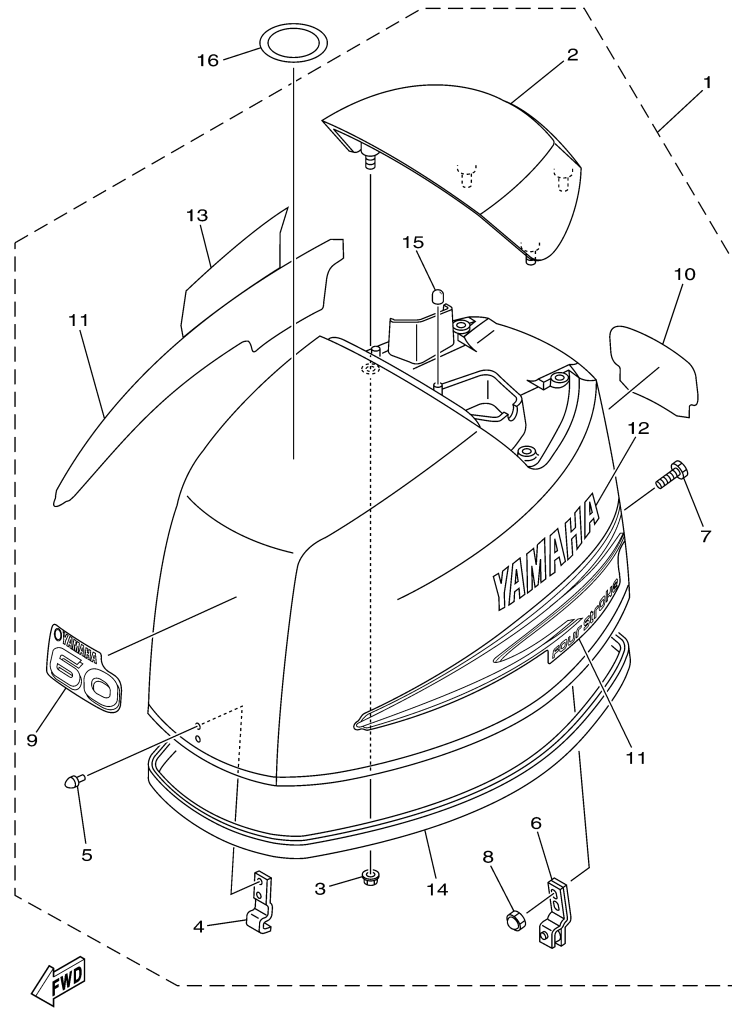


T50TLR 0405 / TOP COWLING



6C11010-D010

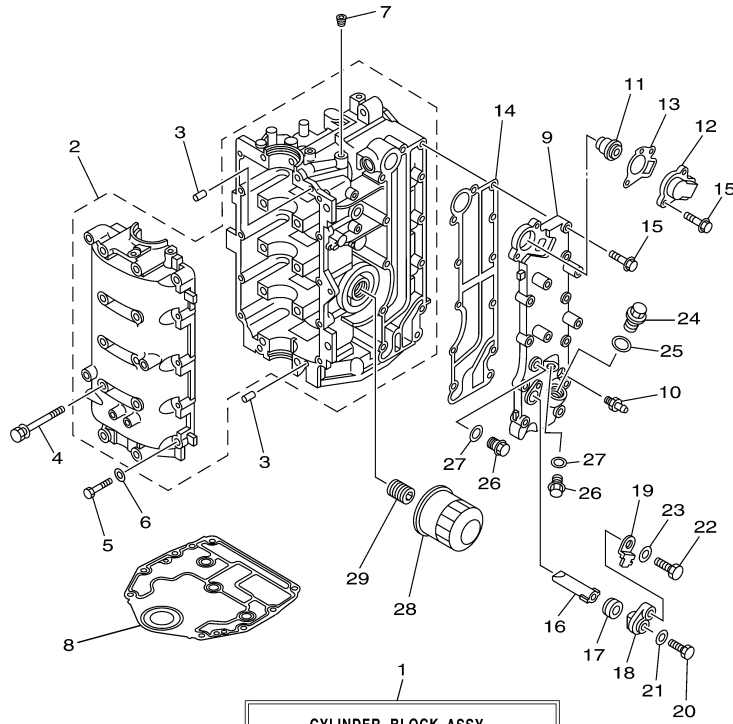
©2014 Yamaha Motor Corporation, U.S.A. All rights reserved.

Part List

T50TLR 0405 / TOP COWLING

REF - NO	PART NUMBER	PART NAME	QUANTITY	REMARKS
1	6C2-42610-00-4D	TOP COWLING ASSY	1	UR T50
2	67C-42613-00-4D	.MOLDING, AIR DUCT	1	
3	90179-06029-00	.NUT	4	
4	6C5-42651-00-00	.HOOK	1	
5	90266-06M02-00	.RIVET	2	
6	67C-42652-01-00	.HOOK	1	
7	90109-06047-00	.BOLT	2	
8	90185-06M05-00	.NUT, SELF-LOCKING	2	
9	62Y-42677-30-00	.GRAPHIC, FRONT	1	UR T50
10	6C2-42678-00-00	.GRAPHIC, REAR	1	UR T50
11	69W-W0070-00-00	.GRAPHIC SET	1	
12	69W-42681-00-00	.MARK, COWLING	1	
13	69W-42682-00-00	.MARK, COWLING	1	
14	6C5-42615-00-00	.SEAL	1	
15	69W-13448-00-00	.CAP	2	
16	67F-13434-03-00	LABEL, CAUTION	1	

T50TLR 0405 / CYLINDER CRANKCASE 1



CYLINDER BLOCK ASSY
 CYLINDER CRANKCASE 1, Ref. No. 2 to 29
 CRANKSHAFT PISTON, Ref. No. 1 to 11
 CYLINDER CRANKCASE 2, Ref. No. 14
 OIL PUMP, Ref. No. 7 to 10



6C12100-E020


Part List

T50TLR 0405 / CYLINDER CRANKCASE 1

REF - NO	PART NUMBER	PART NAME	QUANTITY	REMARKS
1	6C5-W009B-01-1S	CYLINDER BLOCK ASSY	1	
2	6C5-15100-00-1S	CRANKCASE ASSY	1	
3	93606-12019-00	.PIN, DOWEL	4	
4	90119-08M01-00	BOLT, WITH WASHER	10	
5	97013-06035-00	BOLT	10	
6	92903-06600-00	WASHER, PLATE	10	
7	90344-51003-00	PLUG, TAPER SCREW	1	
8	67C-11351-01-00	.GASKET, CYLINDER	1	
9	6C5-41113-00-1S	OUTER COVER, EXHAUST	1	
10	62Y-12481-10-00	PIPE 1	1	
11	6G8-12411-03-00	THERMOSTAT	1	
12	6H3-12413-00-1S	COVER, THERMOSTAT	1	
13	62Y-12414-00-00	.GASKET, COVER	1	
14	6C5-41114-00-00	.GASKET, EXHAUST OUTER COVER	1	
15	90119-06MA5-00	BOLT, WITH WASHER	12	
16	62Y-11325-00-00	ANODE	1	
17	66M-11328-00-00	GROMMET, ANODE	1	
18	66M-11327-00-94	COVER, ANODE	1	
19	66M-12535-00-00	PLATE	1	
20	97095-05012-00	BOLT	1	
21	92995-05600-00	WASHER	1	
22	97095-06020-00	BOLT	1	
23	92995-06600-00	WASHER	1	
24	90340-18M09-00	PLUG, STRAIGHT SCREW	1	
25	90430-18130-00	.GASKET	1	
26	90340-14M06-00	PLUG, STRAIGHT SCREW	2	
27	90430-14115-00	.GASKET	2	
28	5GH-13440-20-00	ELEMENT ASSY, OIL CLEANER	1	
29	6C5-12858-00-00	BOLT, UNION	1	

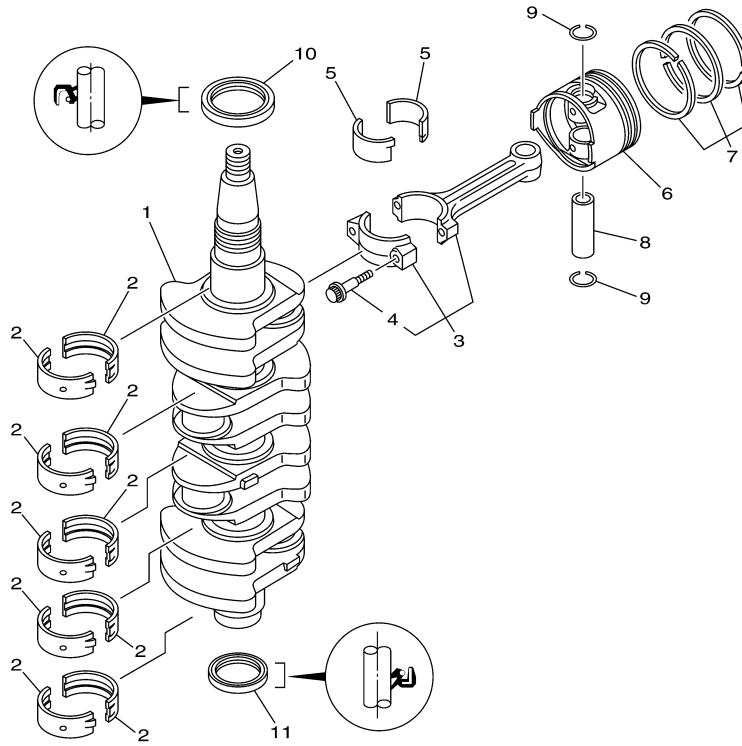
Part Notes

T50TLR 0405 / CYLINDER CRANKCASE 1

PART NUMBER	NOTE TEXT
62Y-12414-00-00 	OEM: This part number is among the Top 100 Most Popular Marine Maintenance Parts as of March 2014.

©2014 Yamaha Motor Corporation, U.S.A. All rights reserved.

T50TLR 0405 / CRANKSHAFT PISTON



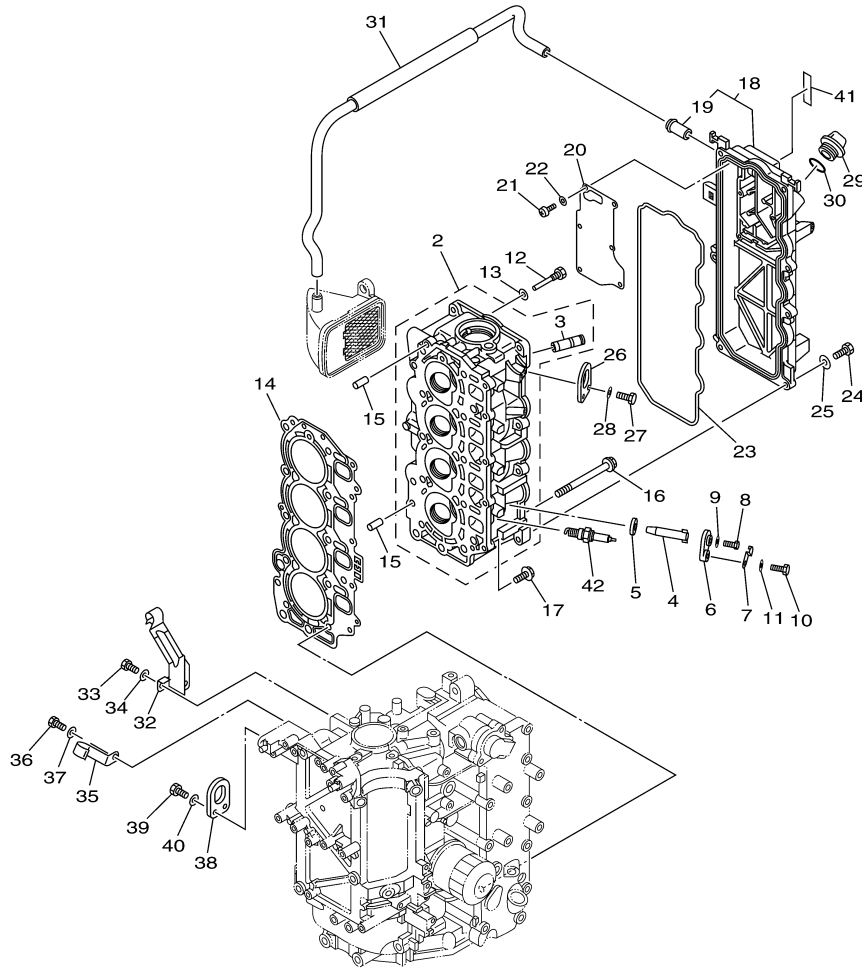
6C11010-D030

Part List

T50TLR 0405 / CRANKSHAFT PISTON

REF - NO	PART NUMBER	PART NAME	QUANTITY	REMARKS
1	6C5-11411-00-00	CRANKSHAFT	1	
2	6C5-11416-00-00	PLANE BEARING, CRANKSHAFT 1	10	UR YELLOW
2	6C5-11416-30-00	PLANE BEARING, CRANKSHAFT 1	10	UR GREEN
2	6C5-11416-20-00	PLANE BEARING, CRANKSHAFT 1	10	UR PINK
2	6C5-11416-10-00	PLANE BEARING, CRANKSHAFT 1	10	UR RED
3	6C5-11650-00-00	CONNECTING ROD ASSY	4	
4	6C5-11654-00-00	.BOLT, CONNECTING ROD	2	
5	6C5-11656-00-00	PLANE BEARING, CONNECTING ROD	8	UR YELLOW
5	6C5-11656-30-00	PLANE BEARING, CONNECTING ROD	8	UR GREEN
5	6C5-11656-20-00	PLANE BEARING, CONNECTING ROD	8	UR PINK
5	6C5-11656-10-00	PLANE BEARING, CONNECTING ROD	8	UR RED
6	69W-11631-00-97	PISTON (STD)	4	
6	69W-11636-00-00	PISTON (0.50MM O/S)	4	AP
6	69W-11635-00-00	PISTON (0.25MM O/S)	4	AP
7	67C-11603-00-00	PISTON RING SET (STD)	4	
7	67C-11604-00-00	PISTON RING SET (0.25MM O/S)	4	AP
7	67C-11605-00-00	PISTON RING SET (0.50MM O/S)	4	AP
8	62Y-11633-00-00	PIN, PISTON	4	
9	93450-17129-00	CIRCLIP	8	
10	93102-43M42-00	.OIL SEAL	1	
11	93101-35002-00	.OIL SEAL	1	

T50TLR 0405 / CYLINDER CRANKCASE 2



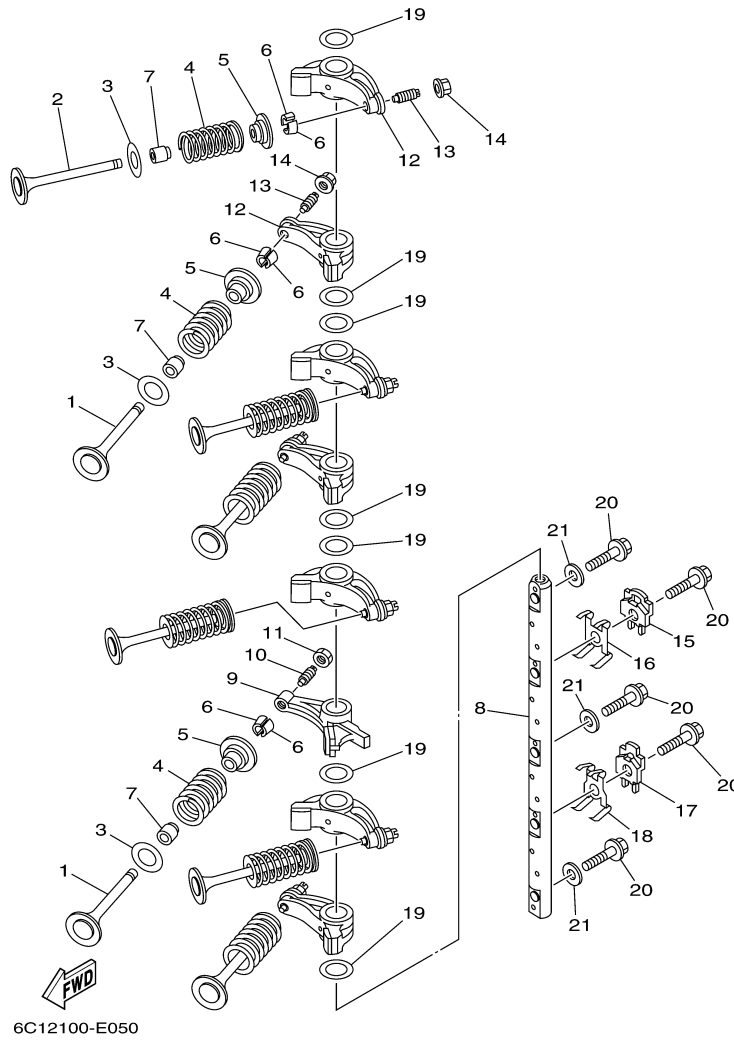
CYLINDER HEAD ASSY
 CYLINDER CRANKCASE 2, Ref. No. 2 to 14, 18 to 25, 29, 30, 42
 CYLINDER CRANKCASE 1, Ref. No. 8
 VALVE, Ref. No. 1 to 21
 OIL PUMP, Ref. No. 1 to 5, 11 to 19

Part List

T50TLR 0405 / CYLINDER CRANKCASE 2

REF - NO	PART NUMBER	PART NAME	QUANTITY	REMARKS
1	6C5-W009A-01-1S	CYLINDER HEAD COMPLETE	1	
2	6C5-11111-00-1S	HEAD, CYLINDER 1	1	
3	62Y-11133-30-00	.GUIDE, VALVE 1	8	
4	62Y-11325-00-00	ANODE	4	
5	66M-11328-00-00	GROMMET, ANODE	4	
6	66M-11327-00-94	COVER, ANODE	4	
7	66M-12535-00-00	PLATE	4	
8	97095-05012-00	BOLT	4	
9	92995-05600-00	WASHER	4	
10	97095-06020-00	BOLT	4	
11	92995-06600-00	WASHER	4	
12	90109-06M65-00	BOLT	1	
13	90430-06014-00	.GASKET	1	
14	6C5-11181-01-00	.GASKET, CYLINDER HEAD 1	1	
15	99530-08012-00	PIN, DOWEL	2	
16	90105-09005-00	BOLT, FLANGE	10	
17	90119-06MA3-00	BOLT, WITH WASHER	5	
18	6C5-11191-01-1S	COVER, CYLINDER HEAD 1	1	
19	62Y-14485-00-00	.PIPE, JOINT	1	
20	6C5-11168-00-00	COVER, BREATHER	1	
21	98507-04010-00	SCREW, PAN HEAD	6	
22	92907-04600-00	WASHER	6	
23	62Y-11356-00-00	.SEAL, CYLINDER 2	1	
24	97095-06020-00	BOLT	7	
25	92995-06600-00	WASHER	7	
26	62Y-11119-00-00	HANGER, ENGINE	1	
27	97095-06020-00	BOLT	2	
28	92995-06600-00	WASHER	2	
29	6G8-15363-00-00	PLUG, OIL	1	
30	93210-24M79-00	.O-RING	1	
31	6C5-1531A-01-00	HOSE, BREATHER 1	1	
32	6C5-15378-00-00	HOLDER	1	
33	97095-06014-00	BOLT	1	
34	92995-06600-00	WASHER	1	
35	6C5-15378-11-00	HOLDER	1	
36	97095-06014-00	BOLT	1	
37	92995-06600-00	WASHER	1	
38	62Y-11119-00-00	HANGER, ENGINE	1	
39	97095-06020-00	BOLT	2	
40	92995-06600-00	WASHER	2	
41	62Y-12138-40-00	MARK, CAUTION	1	
42	NGK-DPR6E-B9-00	PLUG, SPARK (NGK DPR6EB)	4	

T50TLR 0405 / VALVE



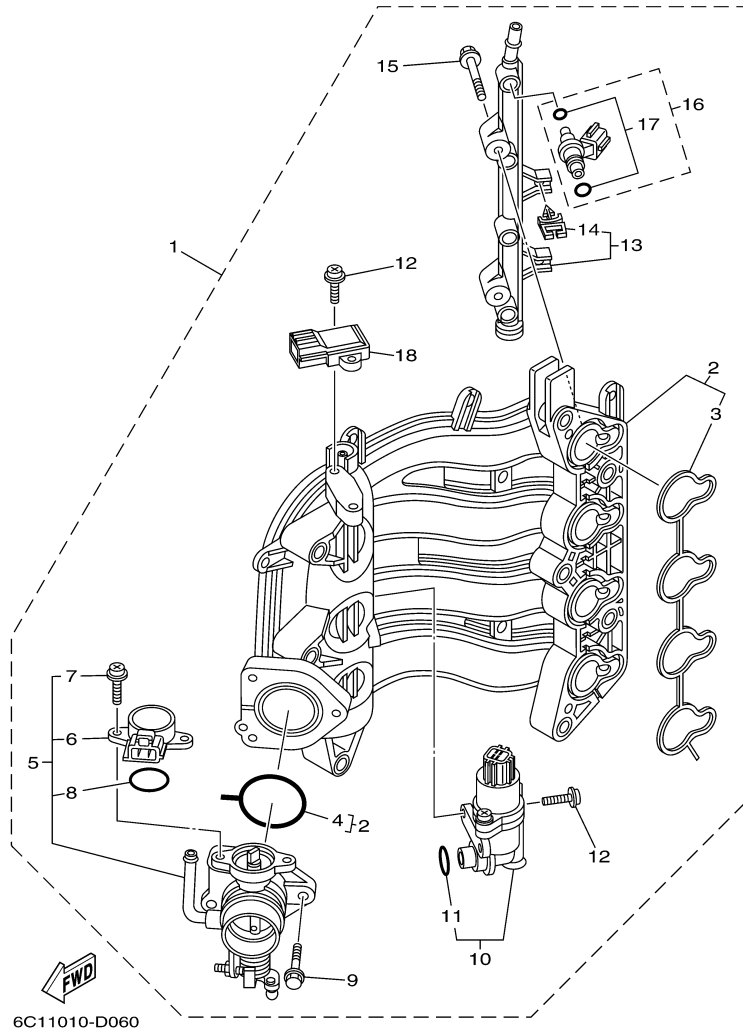
©2014 Yamaha Motor Corporation, U.S.A. All rights reserved.

Part List

T50TLR 0405 / VALVE

REF - NO	PART NUMBER	PART NAME	QUANTITY	REMARKS
1	69W-12111-00-00	VALVE, INTAKE	4	
2	69W-12121-00-00	VALVE, EXHAUST	4	
3	62Y-12116-00-00	SEAT, VALVE SPRING	8	
4	51Y-12114-00-00	SPRING, VALVE OUTER	8	
5	30X-12117-00-00	RETAINER, VALVE SPRING	8	
6	30X-12118-00-00	LOCK, VALVE SPRING RETAINER	16	
7	51Y-12119-00-00	SEAL, VALVE STEM	8	
8	6C5-12146-00-00	SHAFT, ROCKER	1	
9	62Y-12151-00-00	ARM, VALVE ROCKER	1	
10	64J-12159-00-00	SCREW, VALVE ADJUSTING	1	
11	62Y-12158-00-00	NUT, LOCK	1	
12	6C5-12151-00-00	ARM, VALVE ROCKER	7	
13	6C5-12159-00-00	SCREW, VALVE ADJUSTING	7	
14	6C5-12158-00-00	NUT, LOCK	7	
15	6C5-12231-00-00	GUIDE, STOPPER 1	1	
16	6C5-12233-00-00	PLATE, GUIDE STOPPER 1	1	
17	6C5-12241-00-00	GUIDE, STOPPER 2	1	
18	6C5-12243-00-00	PLATE, GUIDE STOPPER 2	1	
19	90201-16014-00	WASHER, PLATE	7	
20	90105-08060-00	BOLT, FLANGE	5	
21	92990-08200-00	WASHER, PLAIN	3	

T50TLR 0405 / INTAKE 1



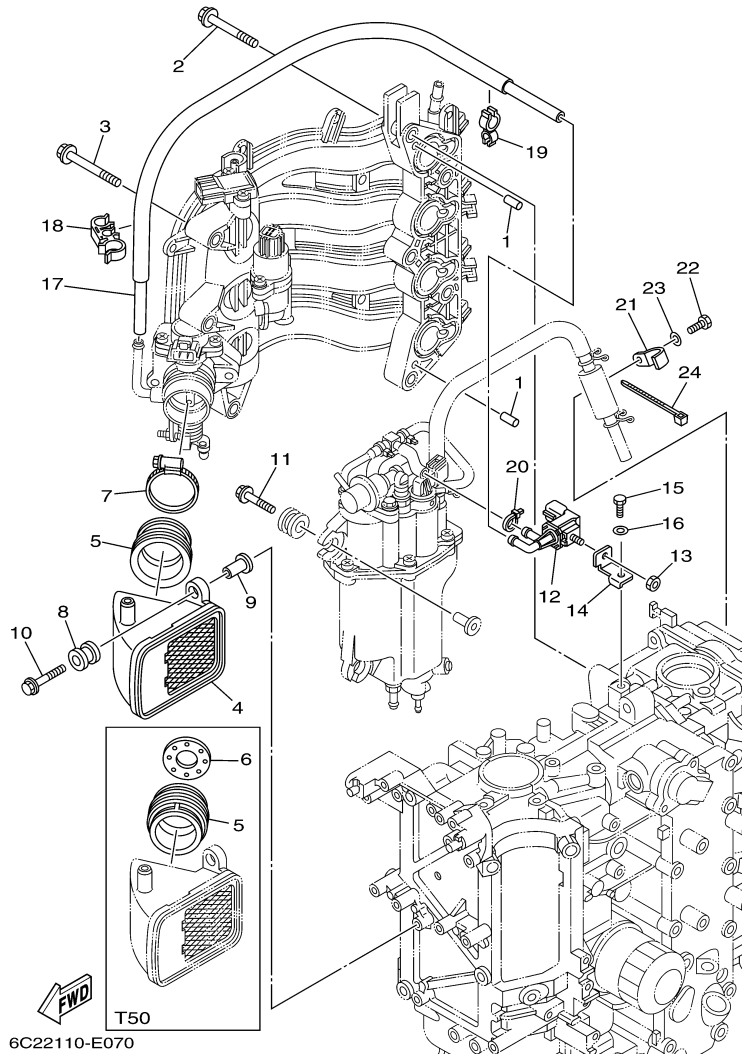
©2014 Yamaha Motor Corporation, U.S.A. All rights reserved.

Part List

T50TLR 0405 / INTAKE 1

REF - NO	PART NUMBER	PART NAME	QUANTITY	REMARKS
1	6C5-14200-00-00	INTAKE ASSY	1	
2	6C5-13641-00-00	.MANIFOLD, INTAKE 1	1	
3	6C5-13645-00-00	..GASKET, MANIFOLD 1	1	
4	6C5-13557-00-00	..GASKET	1	
5	6C5-13750-00-00	.THROTTLE BODY ASSY	1	
6	6C5-85885-00-00	..THROTTLE SENSOR ASSY	1	
7	6C5-81145-00-00	..SCREW 1	2	
8	6C5-8182L-00-00	..O-RING 1	1	
9	6C5-14496-00-00	.BOLT	3	
10	6C5-13105-01-00	.CONTROL VALVE ASSY	1	
11	6C5-1319C-00-00	..O-RING	1	
12	6C5-81146-00-00	.SCREW 2	4	
13	6C5-13161-00-00	.PIPE, DELIVERY 1	1	
14	90464-07M56-00	..CLAMP	2	
15	6C5-14446-00-00	.BOLT	2	
16	6C5-13761-00-00	.INJECTOR	4	
17	6C5-1410B-00-00	..PACKING KIT	1	
18	68F-83688-00-00	.SENSOR ASSY	1	

T50TLR 0405 / INTAKE 2



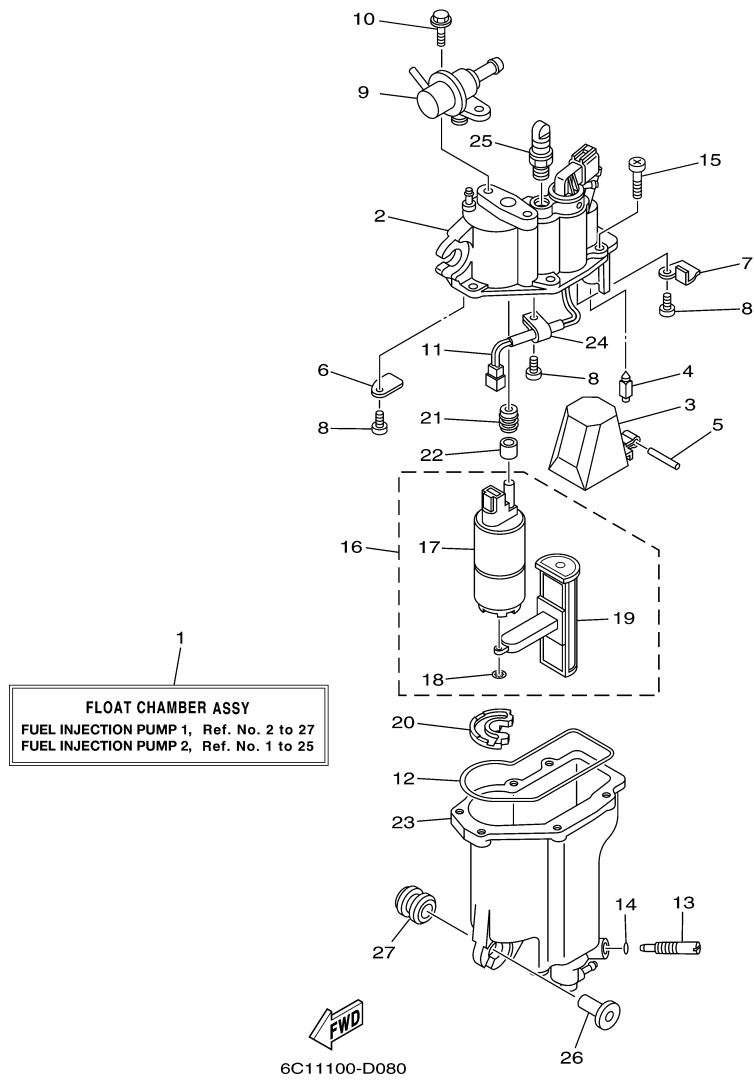
©2014 Yamaha Motor Corporation, U.S.A. All rights reserved.

Part List

T50TLR 0405 / INTAKE 2

REF - NO	PART NUMBER	PART NAME	QUANTITY	REMARKS
1	93608-12M05-00	PIN, DOWEL	2	
2	90119-08069-00	BOLT, WITH WASHER	5	
3	90119-06087-00	BOLT, WITH WASHER	3	
4	6C5-14440-00-00	SILENCER ASSY, INTAKE	1	
5	6C1-14453-01-00	JOINT, AIR CLEANER 1	1	UR T50
6	6C1-14477-00-00	PLATE	1	T50
7	90450-50001-00	HOSE CLAMP ASSY	1	
8	6A0-82317-00-00	DAMPER, IGNITION COIL	2	
9	90387-06119-00	COLLAR	2	
10	90119-06106-00	BOLT, WITH WASHER	2	
11	90119-06M08-00	BOLT, WITH WASHER	3	
12	6C5-86120-00-00	SOLENOID VALVE ASSY	1	
13	95380-06600-00	NUT, HEXAGON	1	
14	6C5-86112-00-00	STAY, SOLENOID	1	
15	97095-06016-00	BOLT	1	
16	92995-06600-00	WASHER	1	
17	6C5-12576-00-00	HOSE 1	1	
18	90464-15008-00	CLAMP	1	
19	90464-12006-00	CLAMP	1	
20	90465-11M10-00	CLAMP	1	
21	6C5-13428-00-00	BRACKET, STRAINER 1	1	
22	97095-06016-00	BOLT	1	
23	92995-06600-00	WASHER	1	
24	90465-13M18-00	CLAMP	1	

T50TLR 0405 / FUEL INJECTION PUMP 1



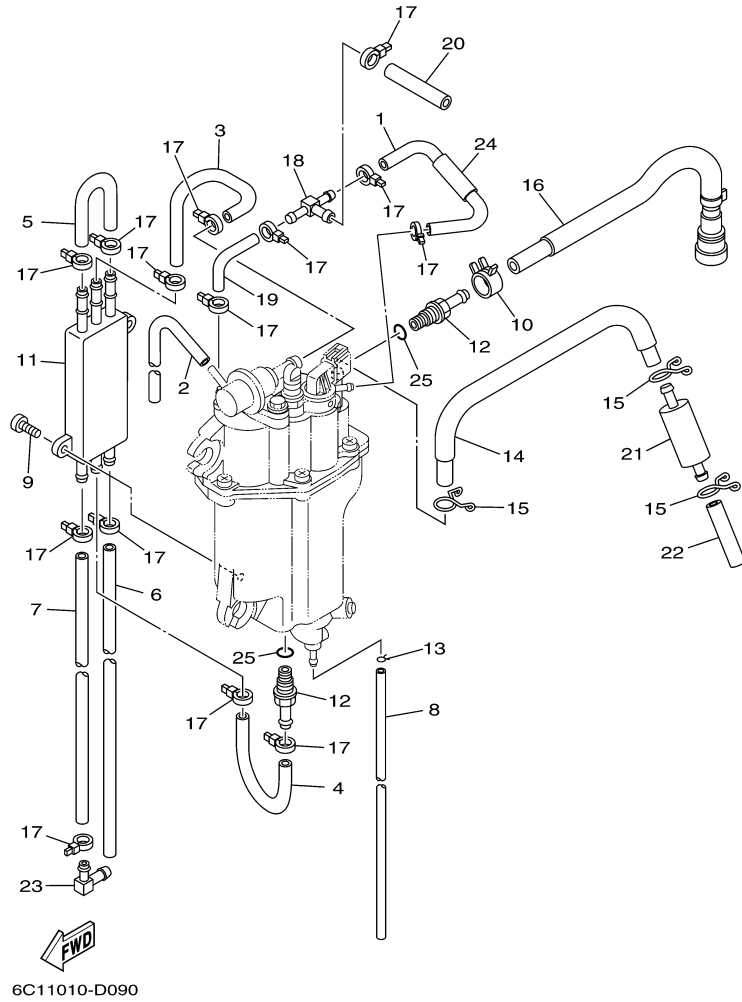
©2014 Yamaha Motor Corporation, U.S.A. All rights reserved.

Part List

T50TLR 0405 / FUEL INJECTION PUMP 1

REF - NO	PART NUMBER	PART NAME	QUANTITY	REMARKS
1	6C5-14180-00-00	FLOAT CHAMBER ASSY	1	
2	6C5-14182-00-00	COVER, FLOAT CHAMBER	1	
3	6C5-14985-00-00	FLOAT	1	
4	6C5-14546-00-00	VALVE, NEEDLE	1	
5	6C5-14386-00-00	PIN, FLOAT	1	
6	6C5-2441R-00-00	PLATE, BAFFLE 1	1	
7	6C5-2441T-00-00	PLATE, BAFFLE 2	1	
8	6C5-24453-00-00	SCREW	3	
9	6C5-13906-00-00	REGULATOR, PRESSURE	1	
10	6C5-24592-00-00	BOLT	2	
11	6C5-87226-00-00	WIRE HARNESS ASSY	1	
12	6C5-14984-00-00	GASKET, FLOAT CHAMBER	1	
13	6C5-14191-00-00	PLUG, DRAIN	1	
14	6C5-14397-00-00	O-RING	1	
15	6C5-14567-00-00	SCREW	6	
16	6C5-13910-00-00	FUEL PUMP ASSY	1	
17	6C5-13907-00-00	.FUEL PUMP COMP	1	
18	6C5-14127-00-00	.CLIP	1	
19	6C5-13915-00-00	.FILTER	1	
20	6C5-13593-00-00	DAMPER	1	
21	6C5-13781-00-00	DAMPER, PUMP	1	
22	6C5-13716-00-00	COLLAR	1	
23	6C5-14960-00-00	BODY ASSY	1	
24	6C5-21337-00-00	CLAMP, CABLE	1	
25	6C5-14225-00-00	CAP	1	
26	90387-06M69-00	COLLAR	3	
27	90480-09M12-00	GROMMET	3	

T50TLR 0405 / FUEL INJECTION PUMP 2



©2014 Yamaha Motor Corporation, U.S.A. All rights reserved.


Part List

T50TLR 0405 / FUEL INJECTION PUMP 2

REF - NO	PART NUMBER	PART NAME	QUANTITY	REMARKS
1	6C5-13546-00-00	HOSE 2	1	
2	6C5-13542-00-00	HOSE, VACUUM SENSING 1	1	
3	6C5-24321-00-00	PIPE 10	1	
4	6C5-24322-00-00	PIPE 11	1	
5	6C5-24323-00-00	PIPE 12	1	
6	6C5-24324-00-00	PIPE 13 (L150)	1	
7	6C5-24325-00-00	PIPE 14 (L110)	1	
8	6C5-14149-00-00	PIPE (L200)	1	
9	6C5-24444-00-00	SCREW	2	
10	6C5-13577-00-00	CLIP	1	
11	6C5-21841-00-00	COOLER	1	
12	6C5-14251-00-00	NIPPLE	2	
13	6C5-2411M-00-00	CLIP	1	
14	6C5-14148-00-00	PIPE	1	
15	6C5-24387-00-00	CLIP	3	
16	6C5-13974-00-00	PIPE, FUEL 4	1	
17	90465-11M10-00	CLAMP	14	
18	6C5-24379-00-00	PIPE, JOINT 4	1	
19	6C5-13545-00-00	HOSE 1	1	
20	6C5-13547-00-00	HOSE 3	1	
21	6C5-24251-00-00	STRAINER 1	1	
22	6C5-2451B-00-00	HOSE, FUEL INLET	1	
23	6C5-1410F-00-00	CONNECTOR	1	
24	6C5-13548-00-00	HOSE, AIR 4	1	
25	6C5-13739-00-00	O-RING	2	

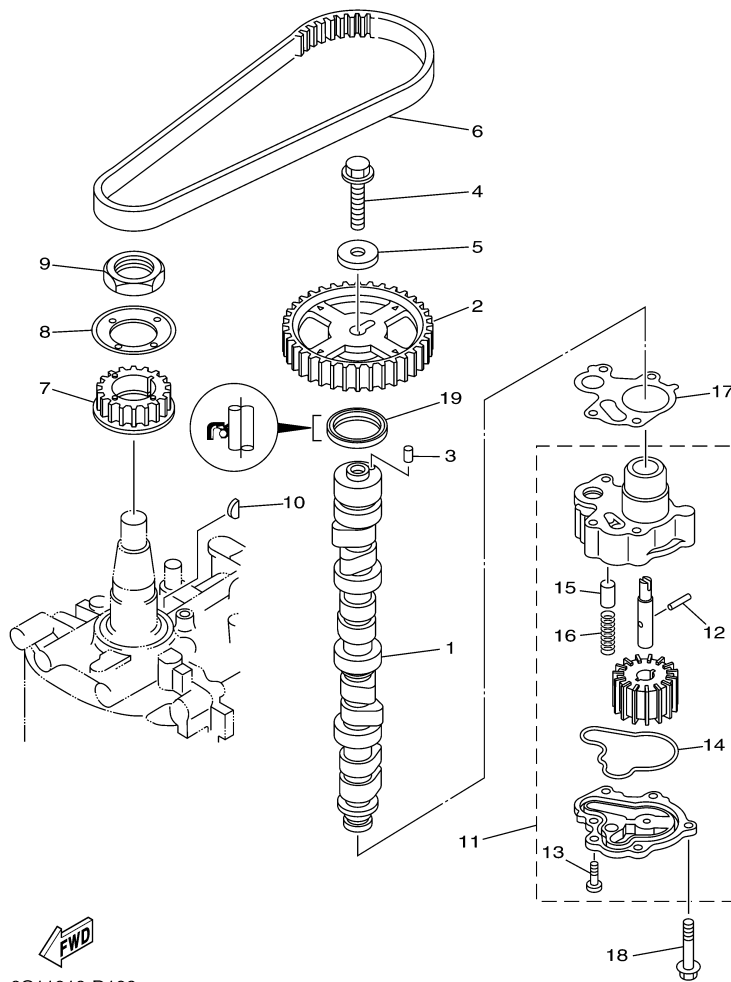
Part Notes

T50TLR 0405 / FUEL INJECTION PUMP 2

PART NUMBER	NOTE TEXT
6C5-24251-00-00 	OEM: This part number is among the Top 100 Most Popular Marine Maintenance Parts as of March 2014.

©2014 Yamaha Motor Corporation, U.S.A. All rights reserved.

T50TLR 0405 / OIL PUMP

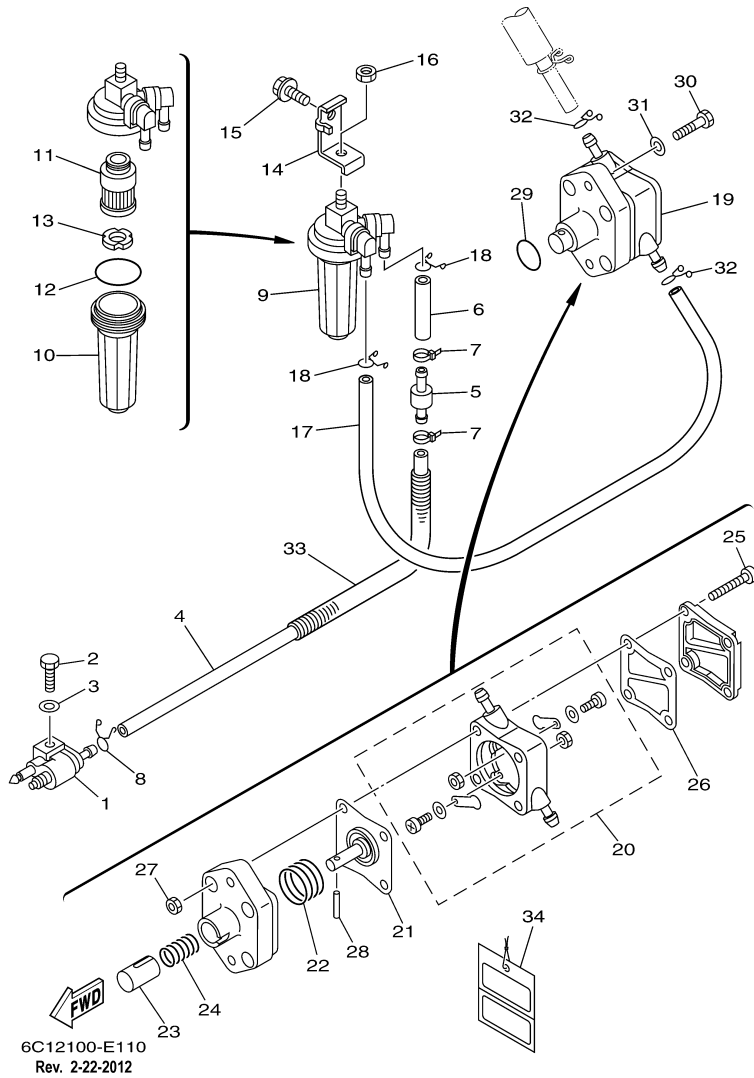


Part List

T50TLR 0405 / OIL PUMP

REF - NO	PART NUMBER	PART NAME	QUANTITY	REMARKS
1	6C5-12171-00-00	CAMSHAFT 1	1	
2	6C5-11537-00-00	GEAR, DRIVEN	1	
3	93605-17002-00	PIN, DOWEL	1	
4	95817-10035-00	BOLT, FLANGE	1	
5	90201-10144-00	WASHER, PLATE	1	
6	6C5-46241-00-00	BELT	1	
7	6C5-11536-00-00	GEAR, DRIVE	1	
8	62Y-11557-00-00	WASHER 1	1	
9	90170-35008-00	NUT	1	
10	90280-03M01-00	.KEY, WOODRUFF	1	
11	6C5-13300-00-00	OIL PUMP ASSY	1	
12	93603-17070-00	.PIN, DOWEL	1	
13	98580-06016-00	.SCREW, PAN HEAD	2	
14	6C5-13142-00-00	.GASKET	1	
15	6G8-11577-00-00	.PLUNGER, RELIEF	1	
16	90501-6C500-00	.SPRING, COMPRESSION	1	
17	6C5-13329-00-00	.GASKET, PUMP COVER	1	
18	90119-06025-00	BOLT, WITH WASHER	4	
19	93102-37M40-00	.OIL SEAL	1	

T50TLR 0405 / FUEL 1



©2014 Yamaha Motor Corporation, U.S.A. All rights reserved.


Part List

T50TLR 0405 / FUEL 1

REF - NO	PART NUMBER	PART NAME	QUANTITY	REMARKS
1	6G1-24304-02-00	FUEL PIPE JOINT COMP. 1	1	
2	97095-06025-00	BOLT	1	
3	92995-06600-00	WASHER	1	
4	6C5-2247A-00-00	HOSE 1	1	
5	67F-24377-00-00	PIPE, JOINT 2	1	
6	90445-13M02-00	HOSE (L40)	1	
7	90465-11M10-00	CLAMP	2	
8	90467-09M17-00	CLIP	1	
9	68V-24560-01-00	FILTER ASSY	1	
10	68V-24521-01-00	.CUP, FILTER	1	
11	68V-24563-00-00	.ELEMENT, FILTER	1	
12	93210-32738-00	.O-RING	1	
13	68V-24469-01-00	.FLOAT, WATER LEVEL	1	
14	6C5-24566-01-00	BRACKET, FILTER	1	
15	95895-08016-00	BOLT, FLANGE	1	
16	95380-08600-00	NUT	1	
17	90445-13M36-00	HOSE (L350)	1	
18	90467-10M04-00	CLIP	2	
19	6C5-24410-00-00	FUEL PUMP ASSY	1	
20	6C5-24415-00-00	.BODY 4	1	
21	62Y-24411-02-00	.DIAPHRAGM	1	
22	62Y-24423-00-00	.SPRING, DIAPHRAGM	1	
23	62Y-13131-00-00	.PLUNGER	1	
24	62Y-24454-00-00	.SPRING	1	
25	62Y-24444-01-00	.SCREW	4	
26	6C5-24471-00-00	.DIAPHRAGM	1	
27	95380-05600-00	.NUT	4	
28	62Y-24374-01-00	.PIN	1	
29	93210-24M79-00	.O-RING	1	
30	97095-06030-00	BOLT	2	
31	92995-06600-00	WASHER	2	
32	90467-10M04-00	CLIP	2	
33	90446-14M62-00	HOSE (L320)	1	
34	61H-2819R-31-00	TAG, WARNING	1	

Part Notes

T50TLR 0405 / FUEL 1

PART NUMBER	NOTE TEXT
68V-24563-00-00 	OEM: This part number is among the Top 100 Most Popular Marine Maintenance Parts as of March 2014.

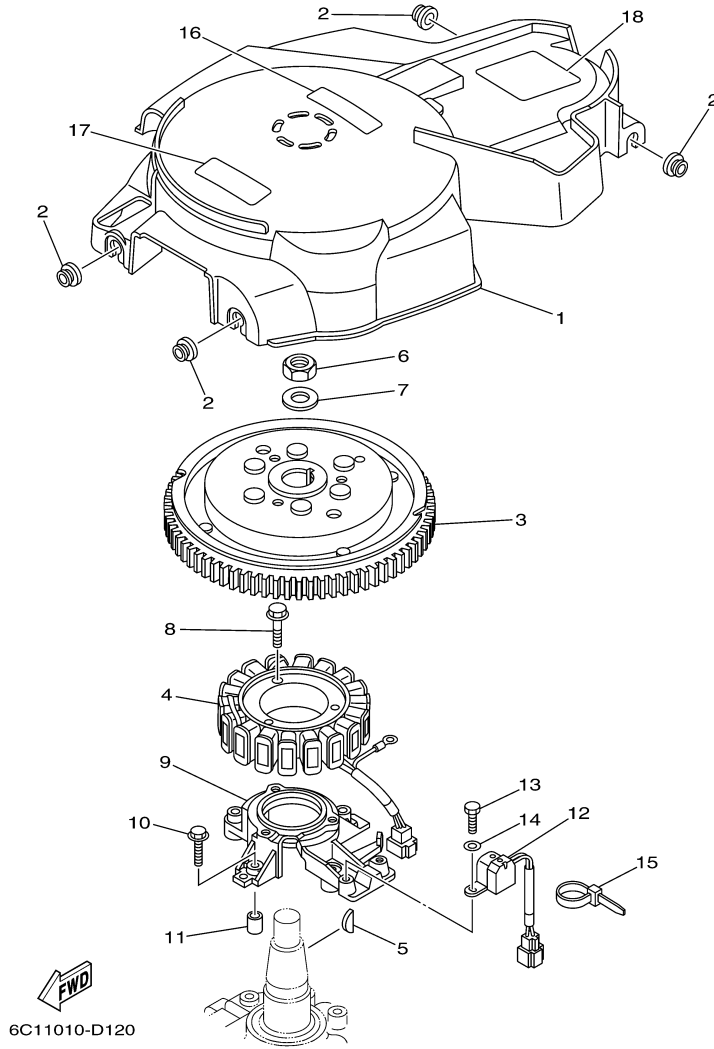
©2014 Yamaha Motor Corporation, U.S.A. All rights reserved.

Part List

T50TLR 0405 / FUEL 2

REF - NO	PART NUMBER	PART NAME	QUANTITY	REMARKS
1	6Y2-24306-56-00	FUEL PIPE COMP. 1	1	AP
2	6E5-24305-06-00	.FUEL PIPE JOINT COMP 2	1	
3	93210-08287-00	..O-RING	1	
4	6Y2-24305-06-00	.FUEL PIPE JOINT COMP 2	1	
5	93210-08287-00	..O-RING	1	
6	90445-13M01-00	.HOSE (L2050)	1	
7	6E5-24351-51-00	.BAND 1	4	
8	90445-13M00-00	.HOSE (L850)	1	
9	6Y2-24360-60-00	.PRIMER PUMP ASSY	1	

T50TLR 0405 / GENERATOR



©2014 Yamaha Motor Corporation, U.S.A. All rights reserved.


Part List

T50TLR 0405 / GENERATOR

REF - NO	PART NUMBER	PART NAME	QUANTITY	REMARKS
1	6C5-81337-00-00	COVER, FLYWHEEL	1	
2	90480-12072-00	GROMMET	4	
3	6C5-81450-00-00	ROTOR ASSY	1	
4	6C5-81410-00-00	STATOR ASSY	1	
5	6H4-11545-00-00	KEY, WOODRUFF	1	
6	90170-20137-00	NUT	1	
7	90201-21M18-00	WASHER, PLATE	1	
8	95023-06030-00	BOLT	3	
9	6C5-85561-00-94	BASE, MAGNETO	1	
10	95023-06030-00	BOLT	4	
11	99530-08012-00	PIN, DOWEL	2	
12	62Y-85580-00-00	COIL, PULSER	1	
13	97095-05012-00	BOLT	2	
14	92995-05600-00	WASHER	2	
15	90465-13M97-00	CLAMP	1	
16	6C5-13437-41-00	MARK, CAUTION	1	
17	6A1-83625-41-00	MARK 5	1	
18	62Y-83626-00-00	MARK 6	1	

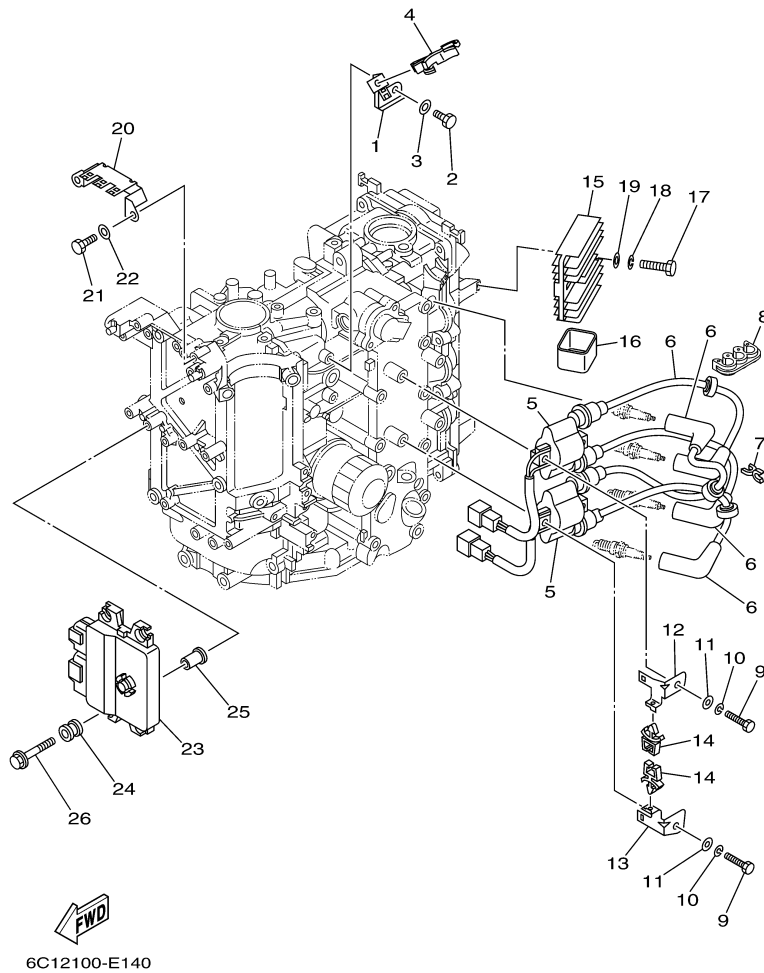
Part Notes

T50TLR 0405 / GENERATOR

PART NUMBER	NOTE TEXT
90480-12072-00 	OEM: GROMMET used on F115TLR and F/LF115TXR 0410 Production and Earlier

©2014 Yamaha Motor Corporation, U.S.A. All rights reserved.

T50TLR 0405 / ELECTRICAL 1



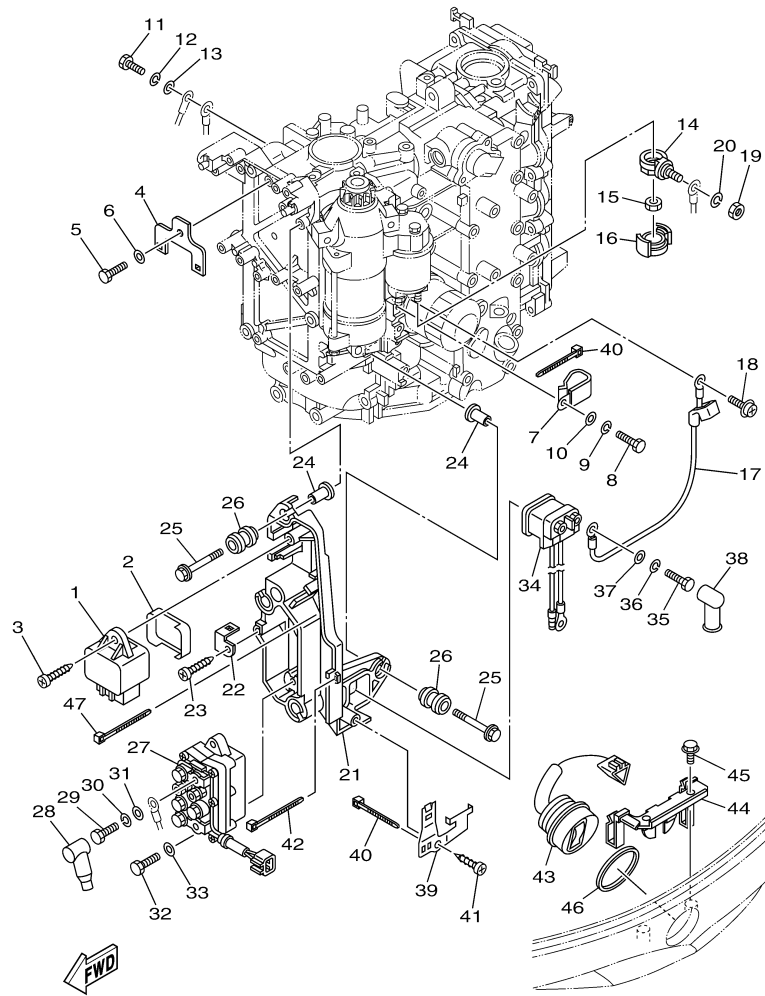
©2014 Yamaha Motor Corporation, U.S.A. All rights reserved.

Part List

T50TLR 0405 / ELECTRICAL 1

REF - NO	PART NUMBER	PART NAME	QUANTITY	REMARKS
1	6C5-85525-00-00	PLATE	1	
2	97095-06014-00	BOLT	1	
3	92995-06600-00	WASHER	1	
4	90464-18246-00	CLAMP	1	
5	63P-82310-01-00	IGNITION COIL ASSY	2	
6	6C5-82340-01-00	HIGH TENSION CORD ASSY 1	4	
7	90464-07M41-00	CLAMP	2	
8	90464-07M05-00	CLAMP	1	
9	97095-06030-00	BOLT	4	
10	92995-06100-00	WASHER, SPRING	4	
11	92995-06600-00	WASHER	4	
12	6C5-82316-01-00	BRACKET, IGNITION COIL	1	
13	6C5-82316-11-00	BRACKET, IGNITION COIL	1	
14	90464-06001-00	CLAMP	2	
15	68V-81960-00-00	RECTIFIER & REGULATOR ASSY	1	
16	6C5-81961-00-00	COVER	1	
17	97095-06025-00	BOLT	2	
18	92995-06100-00	WASHER, SPRING	2	
19	92995-06600-00	WASHER	2	
20	6C5-82171-00-00	STAY, FUSE BOX	1	
21	97095-06014-00	BOLT	2	
22	92995-06600-00	WASHER	2	
23	6C1-8591A-30-00	ENGINE CONTROL UNIT ASSY	1	UR T50
24	6C5-82317-00-00	DAMPER, IGNITION COIL	4	
25	90387-06119-00	COLLAR	4	
26	90119-06M59-00	BOLT, WITH WASHER	4	

T50TLR 0405 / ELECTRICAL 2



6C22100-E150

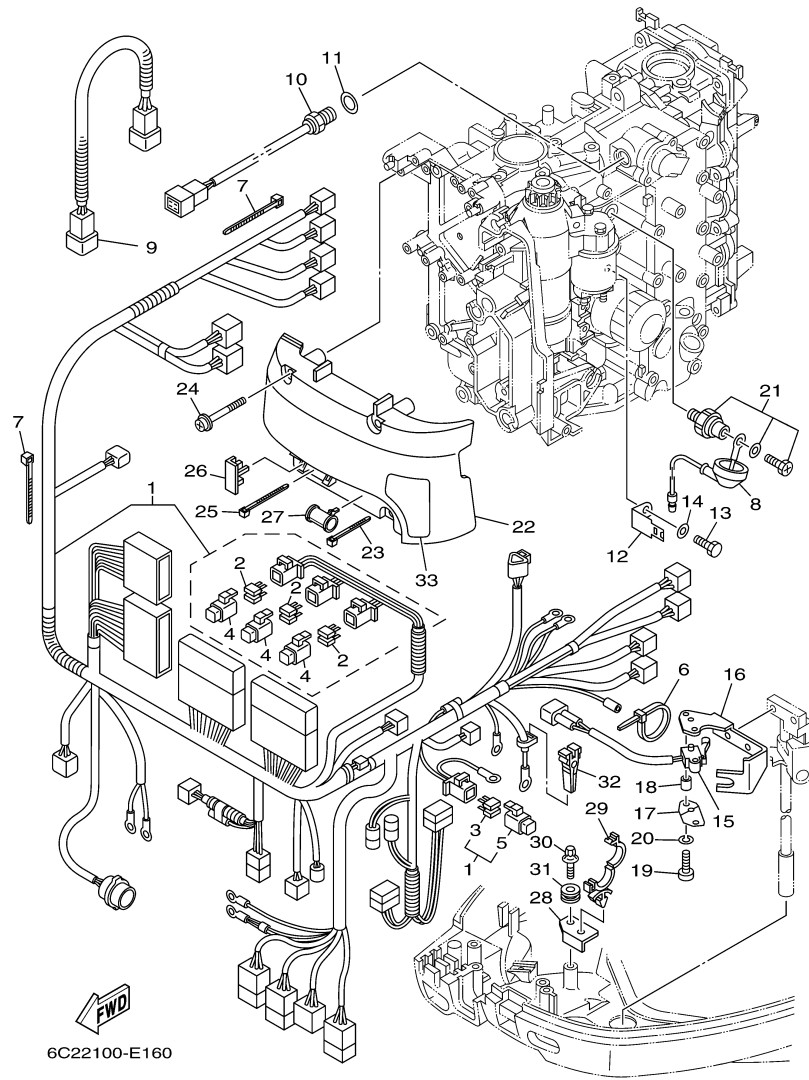
©2014 Yamaha Motor Corporation, U.S.A. All rights reserved.

Part List

T50TLR 0405 / ELECTRICAL 2

REF - NO	PART NUMBER	PART NAME	QUANTITY	REMARKS
1	60E-81950-00-00	RELAY ASSY	1	
2	6C5-81336-00-00	GROMMET	1	
3	97780-60620-00	SCREW, TAPPING	1	
4	6C5-8257V-00-00	PLATE, CONNECTOR	1	
5	97095-06014-00	BOLT	1	
6	92995-06600-00	WASHER	1	
7	90465-05M87-00	CLAMP	1	
8	97095-06020-00	BOLT	4	
9	92995-06100-00	WASHER, SPRING	4	
10	92995-06600-00	WASHER	4	
11	97095-06020-00	BOLT	1	
12	92995-06100-00	WASHER, SPRING	1	
13	92995-06600-00	WASHER	1	
14	60V-81925-00-00	TERMINAL	1	
15	90179-08003-00	NUT	1	
16	68F-82582-00-00	COVER, WIRE HARNESS	1	
17	6C5-81815-00-00	CORD, STARTER MOTOR	1	
18	90159-04005-00	SCREW, WITH WASHER	1	
19	95333-08600-00	NUT	1	
20	92903-08100-00	WASHER, SPRING	1	
21	6C5-81948-00-00	BRACKET	1	
22	6C5-85548-00-00	HOLDER	1	
23	97780-60620-00	SCREW, TAPPING	1	
24	90387-06119-00	COLLAR	4	
25	90119-06M59-00	BOLT, WITH WASHER	4	
26	6A0-82317-00-00	DAMPER, IGNITION COIL	4	
27	63P-81950-00-00	RELAY ASSY	1	
28	682-82119-01-00	COVER, LEAD WIRE	2	
29	97095-06010-00	BOLT	2	
30	92995-06100-00	WASHER, SPRING	2	
31	92995-06600-00	WASHER	2	
32	97013-06020-00	BOLT	2	
33	92903-06600-00	WASHER, PLATE	2	
34	68V-8194A-00-00	RELAY	1	
35	97095-06010-00	BOLT	2	
36	92995-06100-00	WASHER, SPRING	2	
37	92995-06600-00	WASHER	2	
38	6G5-82119-00-00	COVER, LEAD WIRE	2	
39	6C5-81953-00-00	STAY, RELAY	1	
40	90465-11M10-00	CLAMP	2	
41	97780-60620-00	SCREW, TAPPING	1	
42	90465-13M97-00	CLAMP	1	
43	63D-82563-10-00	TRIM & TILT SWITCH ASSY	1	
44	6C5-83614-01-00	BRACKET	1	
45	90109-06M86-00	BOLT	2	
46	6E5-82587-00-00	GASKET	1	
47	90465-13M97-00	CLAMP	1	

T50TLR 0405 / ELECTRICAL 3



6C22100-E160

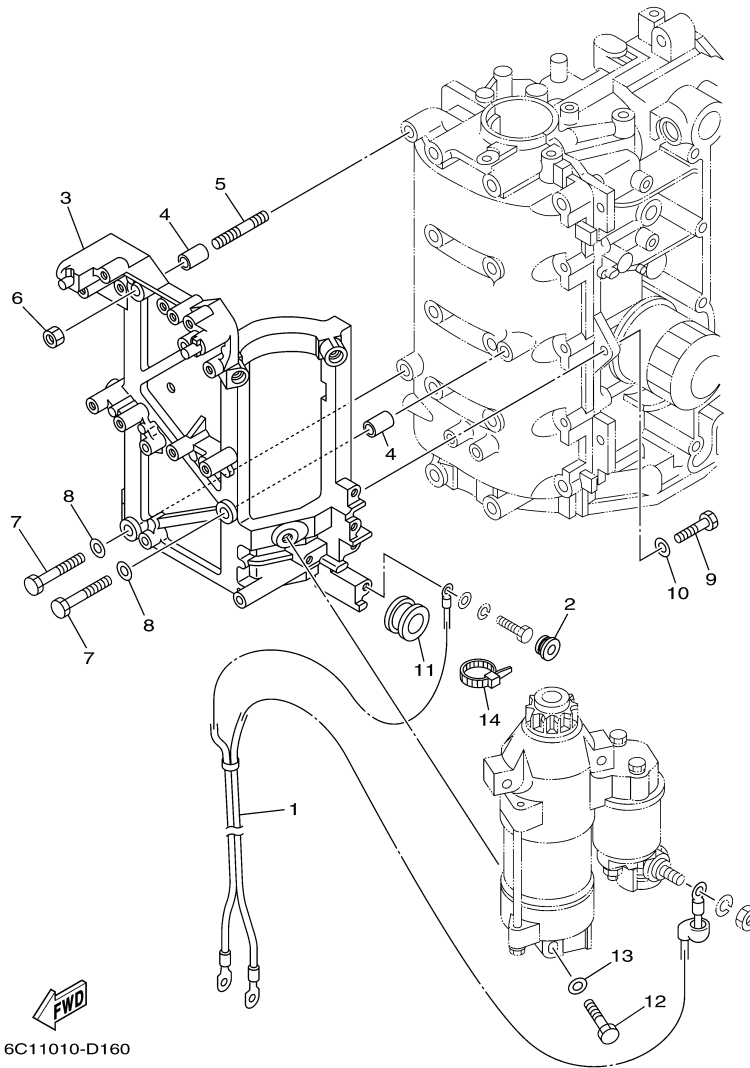
©2014 Yamaha Motor Corporation, U.S.A. All rights reserved.

Part List

T50TLR 0405 / ELECTRICAL 3

REF - NO	PART NUMBER	PART NAME	QUANTITY	REMARKS
1	6C5-82590-30-00	WIRE HARNESS ASSY	1	
2	67F-82151-00-00	.FUSE (20A)	6	
3	67F-82151-10-00	.FUSE (30A)	2	
4	67F-8215B-10-00	.CAP (YELLOW)	3	
5	67F-8215B-20-00	.CAP (GREEN)	1	
6	90465-13M24-00	CLAMP	1	
7	90465-13M11-00	CLAMP	2	
8	68V-81315-00-00	LEAD WIRE ASSY	1	
9	6C5-82553-00-00	EXTENSION, WIRE LEAD	1	
10	6C5-85790-00-00	THERMOSENSOR ASSY	1	
11	90430-14115-00	.GASKET	1	
12	6C5-82388-00-00	PLATE	1	
13	97095-06014-00	BOLT	1	
14	92995-06600-00	WASHER	1	
15	60V-8259F-00-00	SWITCH ASSY	1	
16	6C5-82554-01-00	STAY, NEUTRAL SWITCH	1	
17	61A-82588-01-00	PLATE	1	
18	90387-04001-00	COLLAR	1	
19	97885-04016-00	SCREW, PAN HEAD	2	
20	92995-04100-00	WASHER	2	
21	64J-82504-00-00	OIL PRESSURE SWITCH ASSY	1	
22	6C5-81942-00-00	COVER	1	
23	90465-13M39-00	CLAMP	1	
24	90159-06M14-00	SCREW, WITH WASHER	4	
25	90465-13M24-00	CLAMP	1	
26	6C5-82176-00-00	DAMPER	2	
27	6C5-8252R-00-00	DAMPER	1	
28	6C5-42811-00-00	STAY	1	
29	90464-18007-00	CLAMP	1	
30	90119-06077-00	BOLT, WITH WASHER	1	
31	90480-13598-00	GROMMET	1	
32	67F-2812A-00-00	.PULLER, FUSE	1	
33	6C5-81919-00-00	GRAPHIC, REGULATOR	1	

T50TLR 0405 / ELECTRICAL 4



©2014 Yamaha Motor Corporation, U.S.A. All rights reserved.


Part List

T50TLR 0405 / ELECTRICAL 4

REF - NO	PART NUMBER	PART NAME	QUANTITY	REMARKS
1	6C5-82105-U0-00	BATTERY CABLE	1	
2	90480-12072-00	GROMMET	1	
3	6C5-81822-00-94	BRACKET, STARTING MOTOR	1	
4	99590-10114-00	.PIN, DOWEL	2	
5	95680-08330-00	BOLT, STUD	1	
6	95380-08600-00	NUT	1	
7	97095-08035-00	BOLT	2	
8	92995-08600-00	WASHER	2	
9	97095-08025-00	BOLT	2	
10	92995-08600-00	WASHER	2	
11	90480-24003-00	GROMMET	1	
12	97013-08045-00	BOLT	3	
13	92903-08600-00	WASHER, PLATE	3	
14	90465-13M18-00	CLAMP	1	

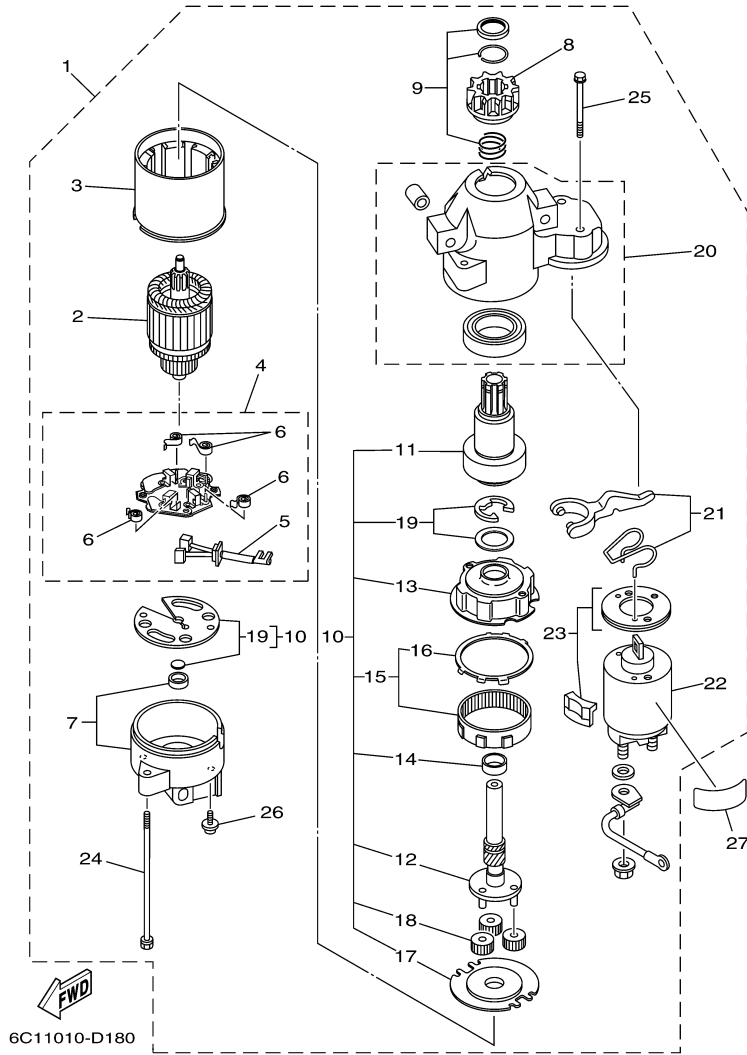
Part Notes

T50TLR 0405 / ELECTRICAL 4

PART NUMBER	NOTE TEXT
90480-12072-00 	OEM: GROMMET used on F115TLR and F/LF115TXR 0410 Production and Earlier

©2014 Yamaha Motor Corporation, U.S.A. All rights reserved.

T50TLR 0405 / STARTING MOTOR



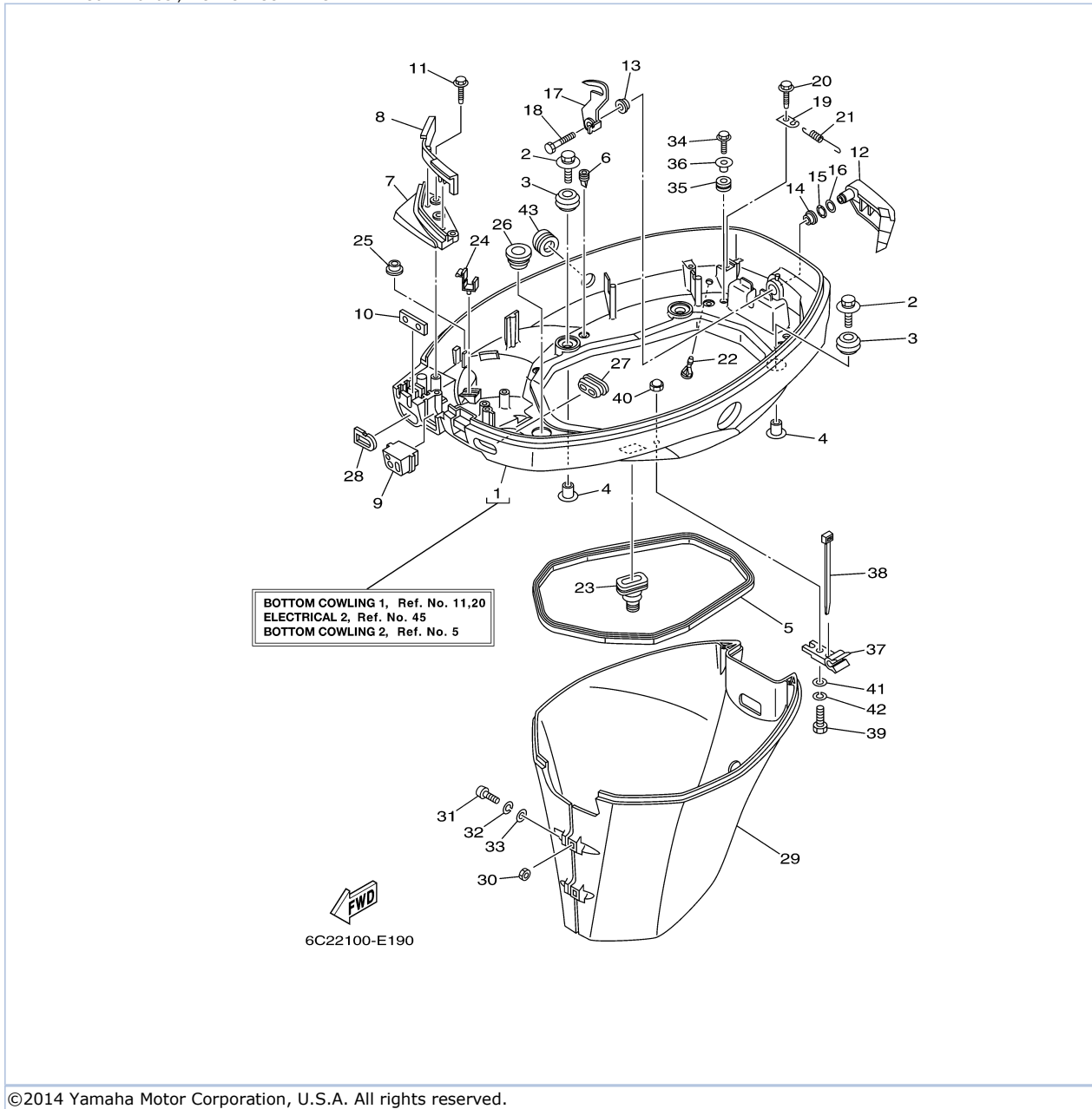
©2014 Yamaha Motor Corporation, U.S.A. All rights reserved.

Part List

T50TLR 0405 / STARTING MOTOR

REF - NO	PART NUMBER	PART NAME	QUANTITY	REMARKS
1	6C5-81800-00-00	STARTING MOTOR ASSY	1	
2	67F-81850-00-00	.ARMATURE ASSY	1	
3	67F-81810-00-00	.STATOR ASSY	1	
4	69J-81840-00-00	.BRUSH HOLDER ASSY	1	
5	69J-81801-00-00	..BRUSH SET	1	
6	67F-81813-00-00	..SPRING, BRUSH	4	
7	68F-81820-00-00	.REAR BRACKET ASSY	1	
8	67F-81808-00-00	.PINION ASSY	1	
9	67F-81857-00-00	.PINION STOPPER SET	1	
10	67F-81807-00-00	.GEAR ASSY, STARTING MOTOR	1	
11	67F-81832-00-00	..CLUTCH, OVER RUN	1	
12	67F-81836-00-00	..SHAFT, PINION	1	
13	67F-81821-00-00	..BRACKET, CENTER 1	1	
14	67F-81841-00-00	..BEARING	1	
15	67F-81891-00-00	..GEAR, RING	1	
16	67F-8183R-00-00	...GASKET	1	
17	67F-81830-00-00	..BRACKET, CENTER 2	1	
18	60V-8183T-00-00	..GEAR, IDLER	3	
19	67F-81809-00-00	..WASHER KIT	1	
20	6C5-81842-00-00	.COVER	1	
21	69J-81839-00-00	.LEVER ASSY	1	
22	6C5-81941-00-00	.STARTER RELAY ASSY	1	
23	69J-81869-00-00	.COVER, DUST	1	
24	6K7-81826-10-00	.BOLT	2	
25	69J-81828-00-00	.SCREW 2	2	
26	67F-81846-00-00	.SCREW	2	
27	67F-83627-01-00	LABEL, CAUTION 7	1	

T50TLR 0405 / BOTTOM COWLING 1





Part List

T50TLR 0405 / BOTTOM COWLING 1

REF - NO	PART NUMBER	PART NAME	QUANTITY	REMARKS
1	6C5-42710-10-4D	BOTTOM COWLING ASSY	1	
2	90119-06M08-00	BOLT, WITH WASHER	4	
3	90480-09M12-00	GROMMET	4	
4	90387-06060-00	COLLAR	4	
5	62Y-42716-00-00	RUBBER, SEAL 1	1	
6	65W-42717-00-00	RUBBER, SEAL 2	4	
7	6C5-42738-00-4D	PLATE, FITTING	1	
8	6C5-42718-00-00	RUBBER, SEAL 3	1	
9	6C5-42725-30-00	GROMMET	1	
10	62Y-42727-00-00	GROMMET	1	
11	90109-06M81-00	BOLT	3	
12	67C-42815-00-4D	LEVER, CLAMP	1	
13	90386-12M37-00	BUSH	1	
14	90386-12MA2-00	BUSH	1	
15	90206-12052-00	WASHER, WAVE	1	
16	90201-12M07-00	WASHER, PLATE	1	
17	67C-42816-01-00	LEVER, CLAMP	1	
18	97095-06014-00	BOLT	1	
19	66T-43144-00-00	HOOK, SPRING	1	
20	90109-06M86-00	BOLT	1	
21	90506-18M40-00	SPRING, TENSION	1	
22	6H3-44391-01-00	NIPPLE, HOSE	1	
23	6C5-42724-00-00	GROMMET	1	
24	90464-09M13-00	CLAMP	1	
25	6E7-82317-00-00	DAMPER, IGNITION COIL	1	
26	68U-42727-00-00	GROMMET	1	
27	6H3-42727-00-00	GROMMET	1	
28	61N-24329-00-00	SEAL	1	
29	67C-42741-10-4D	APRON	1	
30	95380-06600-00	NUT, HEXAGON	2	
31	97880-06025-00	SCREW, PAN HEAD	2	
32	92990-06100-00	..WASHER, SPRING	2	
33	92990-06600-00	WASHER, PLATE	2	
34	90109-06M80-00	.BOLT	2	
35	90480-13M24-00	GROMMET	2	
36	90387-06M43-00	COLLAR	2	
37	90464-09M49-00	CLAMP	1	
38	90465-11M10-00	CLAMP	2	
39	97095-06020-00	BOLT	1	
40	95380-06800-00	NUT	1	
41	92990-06600-00	WASHER, PLATE	1	
42	92995-06100-00	WASHER, SPRING	1	
43	6C5-42726-00-00	GROMMET	1	

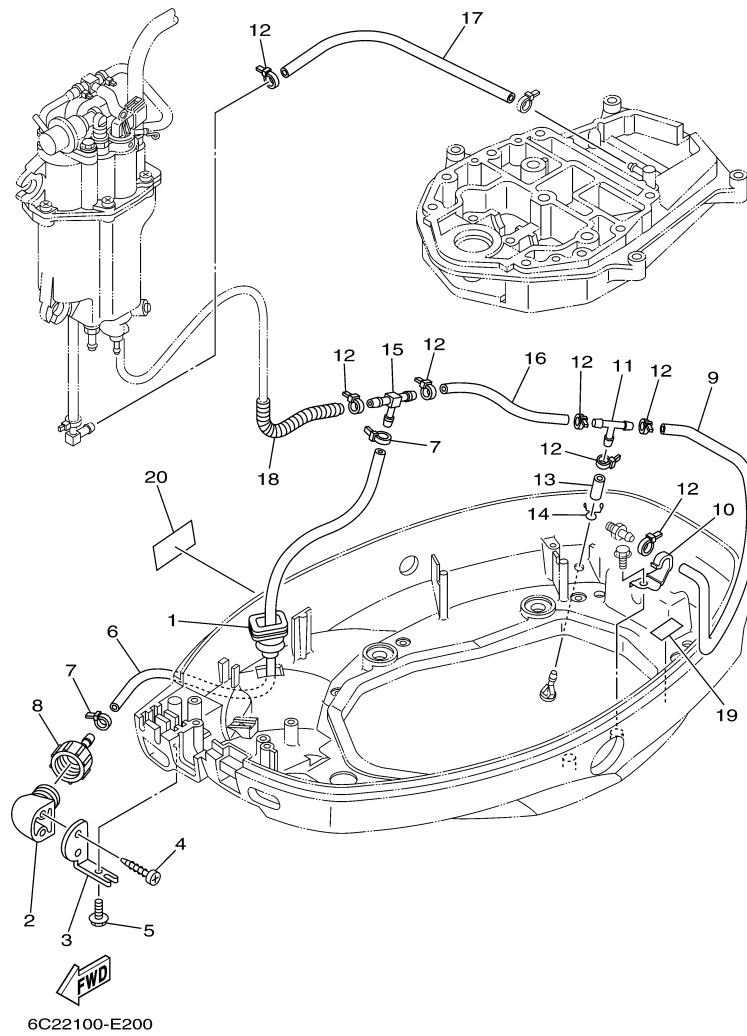
Part Notes

T50TLR 0405 / BOTTOM COWLING 1

PART NUMBER		NOTE TEXT
92990-06600-00		OEM: This part number is among the Top 100 Most Popular Marine Maintenance Parts as of March 2014.
92990-06600-00		OEM: This part number is among the Top 100 Most Popular Marine Maintenance Parts as of March 2014.

©2014 Yamaha Motor Corporation, U.S.A. All rights reserved.

T50TLR 0405 / BOTTOM COWLING 2



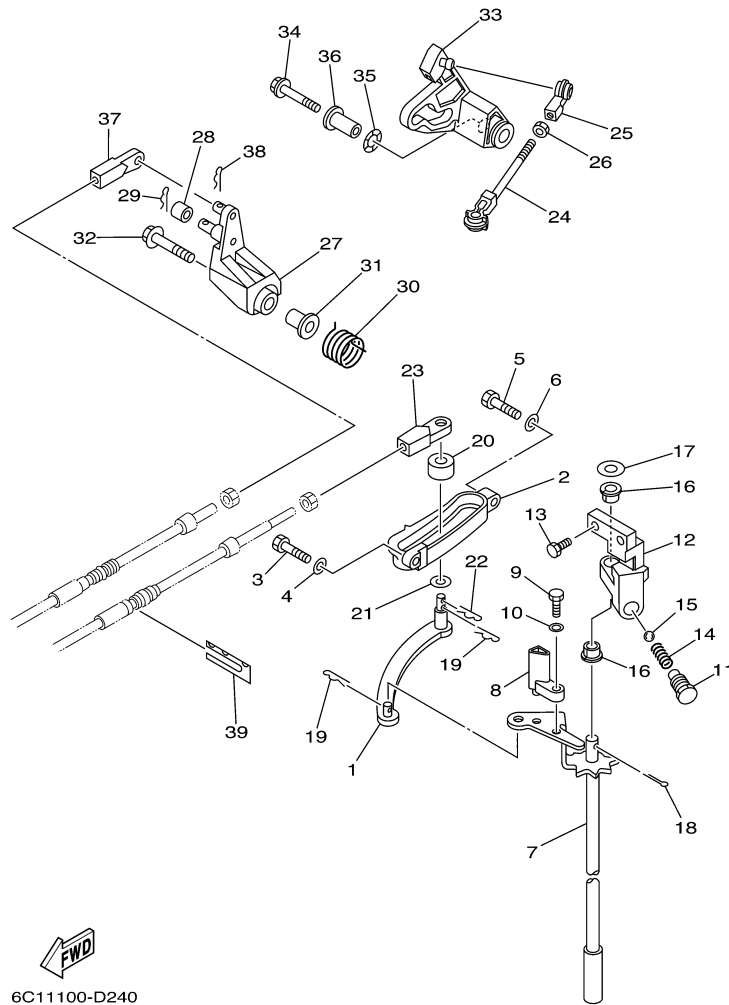
©2014 Yamaha Motor Corporation, U.S.A. All rights reserved.

Part List

T50TLR 0405 / BOTTOM COWLING 2

REF - NO	PART NUMBER	PART NAME	QUANTITY	REMARKS
1	65W-42724-10-00	GROMMET	1	
2	68T-12572-00-00	ADAPTER	1	
3	69W-12535-00-00	PLATE	1	
4	90167-06002-00	SCREW, TAPPING	2	
5	90109-06M80-00	.BOLT	1	
6	6C5-24312-00-00	PIPE 2	1	
7	90465-11M10-00	CLAMP	2	
8	6R3-12580-00-00	JOINT ASSY	1	
9	90445-09226-00	HOSE (L390)	1	
10	90462-08031-00	CLAMP	1	
11	688-24378-00-00	PIPE, JOINT 3	1	
12	90465-11M10-00	CLAMP	7	
13	90445-09220-00	HOSE (L30)	1	
14	90467-08M18-00	CLIP	1	
15	6C5-24378-00-00	PIPE, JOINT 3	1	
16	90445-09091-00	HOSE (L135)	1	
17	90445-09104-00	HOSE (L300)	1	
18	90447-10006-00	TUBE	1	
19	6C5-82377-00-00	LABEL	1	
20	62Y-13444-40-00	MARK	1	

T50TLR 0405 / CONTROL



6C11100-D240

©2014 Yamaha Motor Corporation, U.S.A. All rights reserved.




Part List

T50TLR 0405 / CONTROL

REF - NO	PART NUMBER	PART NAME	QUANTITY	REMARKS
1	69W-44121-00-00	LEVER, SHIFT ROD	1	
2	62Y-44117-01-4D	BRACKET	1	
3	97095-06020-00	BOLT	1	
4	92995-06600-00	WASHER	1	
5	97095-06025-00	BOLT	1	
6	92995-06600-00	WASHER	1	
7	6C5-44120-01-00	HANDLE GEAR SHIFT ASSY	1	L (20.7")
8	6C5-44122-00-00	BUSHING, SHIFT ROD LEVER	1	
9	97095-05014-00	.BOLT	1	
10	92995-05600-00	WASHER	1	
11	62Y-42715-01-00	BUSHING	1	
12	62Y-44118-00-00	BRACKET	1	
13	97095-06020-00	BOLT	2	
14	90501-12082-00	SPRING, COMPRESSION	1	
15	93501-04M02-00	BALL	1	
16	90386-90M90-00	BUSH	2	
17	90201-10M20-00	.WASHER, PLATE	1	
18	91490-20015-00	PIN. COTTER	1	
19	90468-18008-00	CLIP	2	
20	688-44122-00-00	BUSHING, SHIFT ROD LEVER	1	
21	90202-07M07-00	WASHER, PLATE	1	
22	90468-18008-00	CLIP	1	
23	69W-48344-00-00	CABLE END, REMOTE CONTROL	1	
24	688-41211-01-00	LINK, ACCEL.	1	
25	6H4-41237-00-00	JOINT, LINK	1	
26	95380-05700-00	NUT	1	
27	62Y-42154-00-00	LEVER, THROTTLE CONTROL	1	
28	6C5-42171-00-00	BUSHING	1	
29	91490-16010-00	PIN. COTTER	1	
30	62Y-44135-00-00	SPRING	1	
31	90387-06M45-00	COLLAR	1	
32	90119-06106-00	BOLT, WITH WASHER	1	
33	6C5-42335-00-00	LEVER, ACCEL. CONTROL	1	
34	95895-06035-00	BOLT, FLANGE	1	
35	90206-10M04-00	WASHER, WAVE	1	
36	90387-06M82-00	COLLAR	1	
37	69W-48344-00-00	CABLE END, REMOTE CONTROL	1	
38	90468-18008-00	CLIP	1	
39	62Y-48538-00-00	CLAMP, CABLE 1	1	

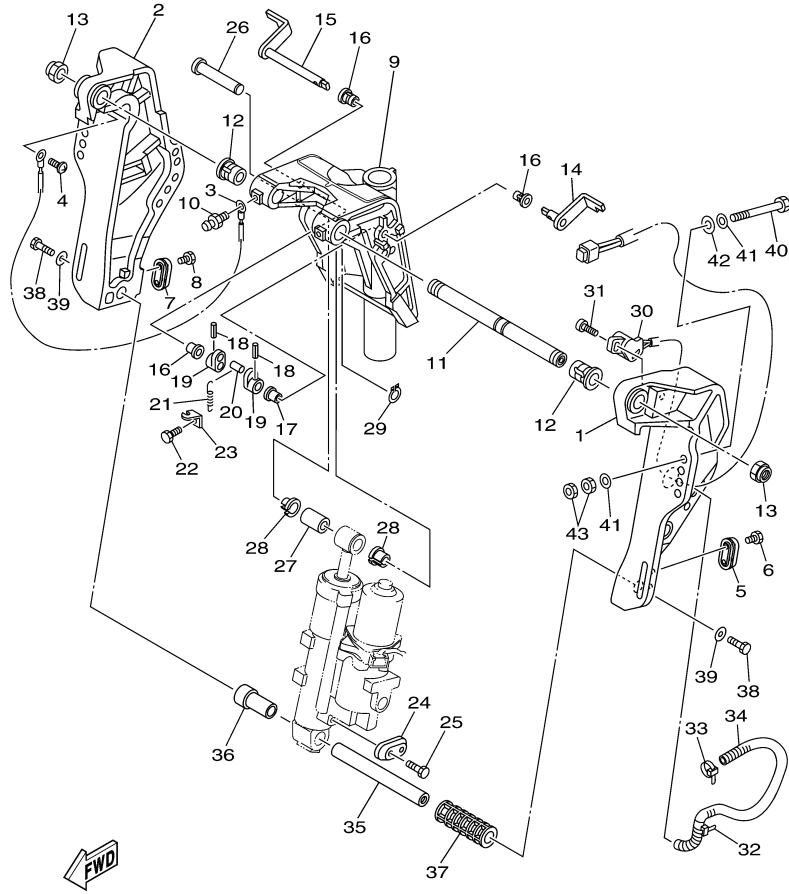
Part Notes

T50TLR 0405 / CONTROL

PART NUMBER	NOTE TEXT
90468-18008-00 	OEM: This part number is among the Top 100 Most Popular Marine Maintenance Parts as of March 2014.
90468-18008-00 	OEM: This part number is among the Top 100 Most Popular Marine Maintenance Parts as of March 2014.
90468-18008-00 	OEM: This part number is among the Top 100 Most Popular Marine Maintenance Parts as of March 2014.

©2014 Yamaha Motor Corporation, U.S.A. All rights reserved.

T50TLR 0405 / BRACKET 1



6C11110-D220

©2014 Yamaha Motor Corporation, U.S.A. All rights reserved.




Part List

T50TLR 0405 / BRACKET 1

REF - NO	PART NUMBER	PART NAME	QUANTITY	REMARKS
1	6C5-43111-00-4D	BRACKET, CLAMP 1	1	
2	6C5-43112-00-4D	BRACKET, CLAMP 2	1	
3	6E5-82148-00-00	WIRE, LEAD 4	1	
4	97885-06008-00	SCREW, PAN HEAD	1	
5	65W-45251-00-00	ANODE	1	
6	90101-06020-00	BOLT	2	
7	65W-45251-00-00	ANODE	1	
8	90101-06020-00	BOLT	2	
9	6C5-43311-00-4D	BRACKET, SWIVEL 1	1	
10	93700-06M03-00	NIPPLE, GREASE	3	
11	63D-43131-01-00	BOLT, CLAMP BRACKET	1	
12	90386-22MA4-00	BUSH	2	
13	90185-22M11-00	NUT, SELF-LOCKING	2	
14	6C5-43181-00-00	LEVER, TILT STOP 1	1	
15	6C5-43185-00-00	LEVER, TILT STOP 2	1	
16	90386-10M16-00	BUSH	3	
17	90386-10025-00	.BUSH	1	
18	91690-30020-00	PIN, SPRING	2	
19	6G5-43148-00-00	COLLAR, DISTANCE	2	
20	90249-06M19-00	PIN	1	
21	90506-14M24-00	SPRING, TENSION	1	
22	97095-06010-00	BOLT	1	
23	6G5-43144-00-00	HOOK, SPRING	1	
24	65W-45251-00-00	ANODE	1	
25	90101-06020-00	BOLT	2	
26	6E5-43126-02-00	PIN, UPPER SHOCK MOUNT	1	
27	90386-18M92-00	BUSH	1	
28	90386-18M35-00	BUSH	2	
29	93410-18M02-00	CIRCLIP	1	
30	63D-83672-10-00	TRIM SENDER	1	
31	97885-06016-00	SCREW, PAN HEAD	2	
32	90464-76001-00	CLAMP	1	
33	90465-11M10-00	CLAMP	1	
34	90447-19009-00	TUBE	1	
35	6C5-43818-00-00	PIN, LOWER SHOCK MOUNT	1	
36	6C5-43833-00-00	PIPE	1	
37	6C5-43834-00-00	PIPE	1	
38	97080-08020-00	BOLT	2	
39	90201-08M14-00	WASHER, PLATE	2	
40	90101-12M65-00	BOLT	4	
41	92995-12200-00	WASHER	8	
42	90201-12426-00	WASHER, PLATE	4	
43	95380-12600-00	NUT	8	

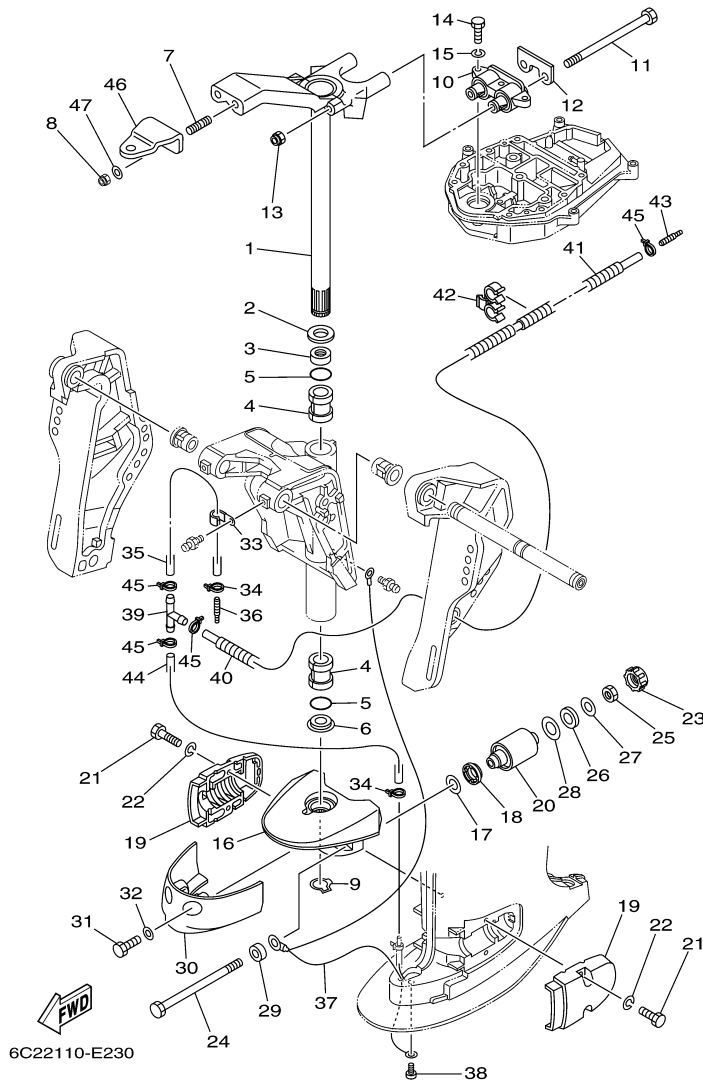
Part Notes

T50TLR 0405 / BRACKET 1

PART NUMBER	NOTE TEXT
65W-45251-00-00 	OEM: This part number is among the Top 100 Most Popular Marine Maintenance Parts as of March 2014.
65W-45251-00-00 	OEM: This part number is among the Top 100 Most Popular Marine Maintenance Parts as of March 2014.
65W-45251-00-00 	OEM: This part number is among the Top 100 Most Popular Marine Maintenance Parts as of March 2014.

©2014 Yamaha Motor Corporation, U.S.A. All rights reserved.

T50TLR 0405 / BRACKET 2



6C22110-E230

©2014 Yamaha Motor Corporation, U.S.A. All rights reserved.

Part List

T50TLR 0405 / BRACKET 2

REF - NO	PART NUMBER	PART NAME	QUANTITY	REMARKS
1	69W-42510-01-4D	STEERING BRACKET ASSY	1	
2	90201-30M00-00	WASHER, PLATE	1	
3	90386-30M78-00	BUSH	1	
4	90386-30M77-00	BUSH	2	
5	93210-29M94-00	O-RING	2	
6	90386-30M60-00	BUSH	1	
7	90116-10M28-00	BOLT, STUD	2	
8	90185-10051-00	NUT, SELF-LOCKING	2	
9	93410-28M06-00	CIRCLIP	1	
10	64J-44514-00-4D	MOUNT DAMPER, UPPER SIDE	1	
11	90101-08M15-00	BOLT	2	
12	69W-44526-01-00	PLATE	1	
13	90185-08045-00	NUT, SELF-LOCKING	2	
14	97075-08030-00	BOLT	3	
15	92995-08100-00	WASHER	3	
16	69W-44551-00-4D	HOUSING, LOWER MOUNT RUBBER	1	
17	90201-12M16-00	WASHER, PLATE	2	
18	6C5-43885-00-00	GROMMET	2	
19	6C5-44552-00-4D	HOUSING, LOWER MOUNT RUBBER 2	2	
20	69W-44555-00-4D	MOUNT DAMPER, LOWER SIDE	2	
21	97075-08030-00	BOLT	4	
22	92995-08100-00	WASHER	4	
23	6C5-44575-00-00	DAMPER, LOWER MOUNT RUBBER	2	
24	90109-12MA3-00	BOLT	2	
25	95380-12700-00	NUT	2	
26	90202-21100-00	WASHER, PLATE	2	
27	90201-13M19-00	WASHER, PLATE	2	
28	90201-22M05-00	WASHER, PLATE	2	
29	6C6-43127-00-00	COLLAR	2	
30	67C-44553-00-4D	COVER, LOWER MOUNT	1	
31	97095-08020-00	BOLT	2	
32	92995-08600-00	WASHER	2	
33	90465-06M86-00	.CLAMP	1	
34	90465-11M10-00	CLAMP	2	
35	90445-07MF2-00	HOSE (L250)	1	
36	6E5-83558-00-00	END, NIPPLE	1	
37	67C-82127-10-00	WIRE, LEAD 2	1	
38	97885-06008-00	SCREW, PAN HEAD	1	
39	90413-05014-00	WAY 3	1	
40	6C5-44385-00-00	HOSE, WATER 1	1	
41	90447-07001-00	HOSE, WITH SPRING (L400)	1	
42	90464-10006-00	CLAMP	1	
43	6E5-83558-00-00	END, NIPPLE	1	
44	90445-07M30-00	HOSE (L450)	1	
45	90465-11M10-00	CLAMP	4	
46	65W-48511-00-00	HOOK, STEERING	1	
47	90201-10120-00	.WASHER, PLATE	2	

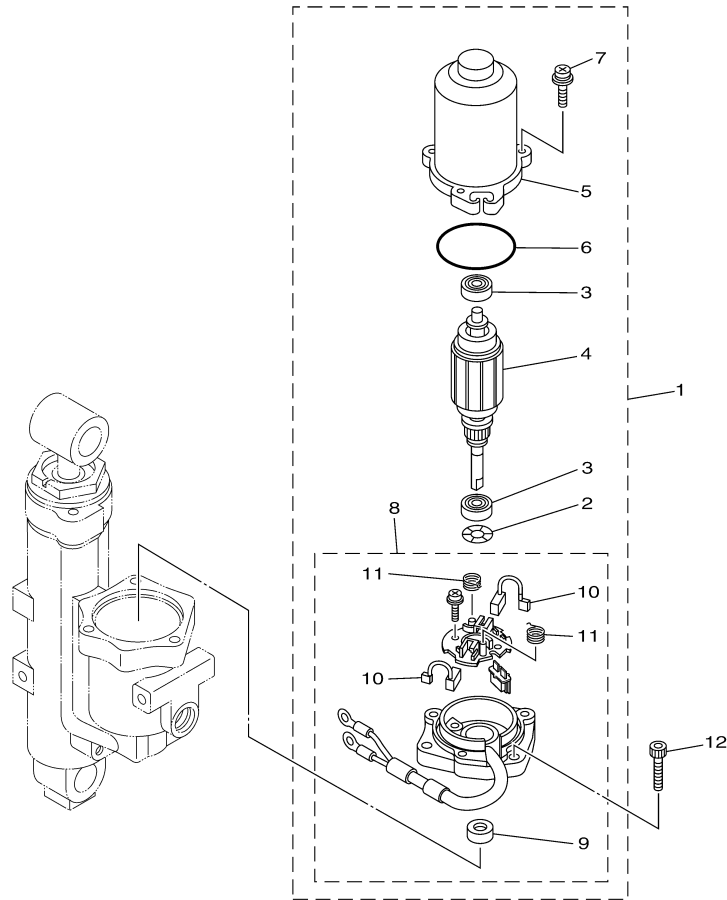
Part List

T50TLR 0405 / POWER TRIM TILT ASSY 1

REF - NO	PART NUMBER	PART NAME	QUANTITY	REMARKS
1	6C5-43800-01-8D	POWER TRIM & TILT ASSY	1	
2	6C5-43810-00-00	.TILT PISTON SUB ASSY	1	
3	6C5-43801-00-00	..ROD	1	
4	62Y-43863-00-00	..O-RING	1	
5	6C5-43862-00-00	..O-RING	1	
6	6C5-43861-00-00	..O-RING	1	
7	6C5-43871-00-00	..RING, BACK UP	1	
8	6C5-22471-00-00	CYLINDER, SHOCK ABSORBER	1	
9	6C5-43875-00-00	RING, SNAP	1	
10	6C5-4381B-00-00	FREE PISTON SUB ASSY	1	
11	93450-32116-00	CIRCLIP	1	
12	6C5-43899-00-00	PLATE STOPPER	1	
13	93503-16003-00	BALL	6	
14	62X-4384H-00-00	SPRING	2	
15	6C5-22435-00-00	PLATE, VALVE 2	1	
16	99009-32500-00	CIRCLIP	1	
17	6C5-43861-00-00	O-RING	1	
18	6C5-4380K-00-00	CYLINDER, TILT SUB ASSY	1	
19	6C5-43817-10-00	FILTER 2	2	
20	69J-4389J-00-00	.O-RING	2	
21	6C5-43816-00-00	FILTER 1	1	
22	6C5-4380G-00-00	PLATE	1	
23	91312-05045-00	BOLT	2	
24	6C5-43830-00-00	GEAR PUMP ASSY	1	
25	6C6-43841-00-00	.PISTON, SHUTTLE	1	
26	6H1-43883-00-00	.O-RING	1	
27	6C6-43894-00-00	.SPRING, SHUTTLE RETURN	2	
28	6C6-4382E-00-00	.ADAPTOR 2	2	
29	93505-32038-00	.BALL	6	
30	6C6-43853-00-00	.SPRING, MAIN VALVE	2	
31	6C6-4387G-00-00	.WASHER	2	
32	69J-4389J-00-00	.O-RING	2	
33	91312-05030-00	.BOLT	2	
34	6C5-43851-00-00	.SEAT, RELIEF VALVE	2	
35	6C5-4381K-00-00	.HOLDER	1	
36	6C5-43893-00-00	.WASHER	1	
37	6C6-43893-00-00	.WASHER	1	
38	6C6-4381K-00-00	.HOLDER	1	
39	6C5-43855-00-00	.SPRING, UP RELIEF	1	
40	6C5-43856-00-00	.SPRING, DOWN RELIEF	1	
41	6C5-4382K-00-00	.CAP, RELIEF VALVE	1	
42	6C5-43895-00-00	.SEAT, RELIEF VALVE	1	
43	6C5-43854-00-00	.SPRING, MANUAL RELEASE	1	
44	92A08-03110-00	.SCREW SET	2	
45	95302-03600-00	.NUT	2	
46	91312-05025-00	.BOLT	2	
47	6C6-43878-00-00	.BOLT, SOCKET	2	
48	62Y-4387G-00-00	.WASHER	2	
49	91312-04030-00	.BOLT	2	
50	91312-03016-00	.BOLT	1	
51	6C6-4388E-00-00	.PLUG, TAPER SCREW	1	
52	6C6-4388F-00-00	.SPACER	2	
53	6C6-4386G-00-00	.PIN, STRAIGHT 2	1	

54	6C6-4386E-00-00	.LEVER 1	1	
55	91312-03005-00	.BOLT	1	
56	6C5-4382L-00-00	.CAP, RELIEF VALVE	1	
57	6C5-43841-00-00	.PISTON, SHUTTLE	1	
58	6C5-43872-00-00	.RING, BACK UP	1	
59	93210-18397-00	O-RING	1	
60	6H1-43875-00-00	.RING, SNAP	1	
61	6C5-43845-00-00	SCREW, MANUAL RELEASE	1	
62	93210-09165-00	O-RING	1	
63	6H1-43829-00-00	.PLUG, RESERVOIR	1	
64	6C5-43831-00-00	CONNECTOR, SHAFT	1	
65	93210-64488-00	.O-RING	1	
66	91312-05050-00	BOLT	2	
67	62Y-43822-00-00	..SEAL, TRIM DUST	1	
68	6C5-43821-00-00	..SCREW, TRIM CYLINDER END	1	
69	62X-43872-00-00	..RING, BACK UP	2	
70	6C5-43863-00-00	..O-RING	2	

T50TLR 0405 / POWER TRIM TILT ASSY 2



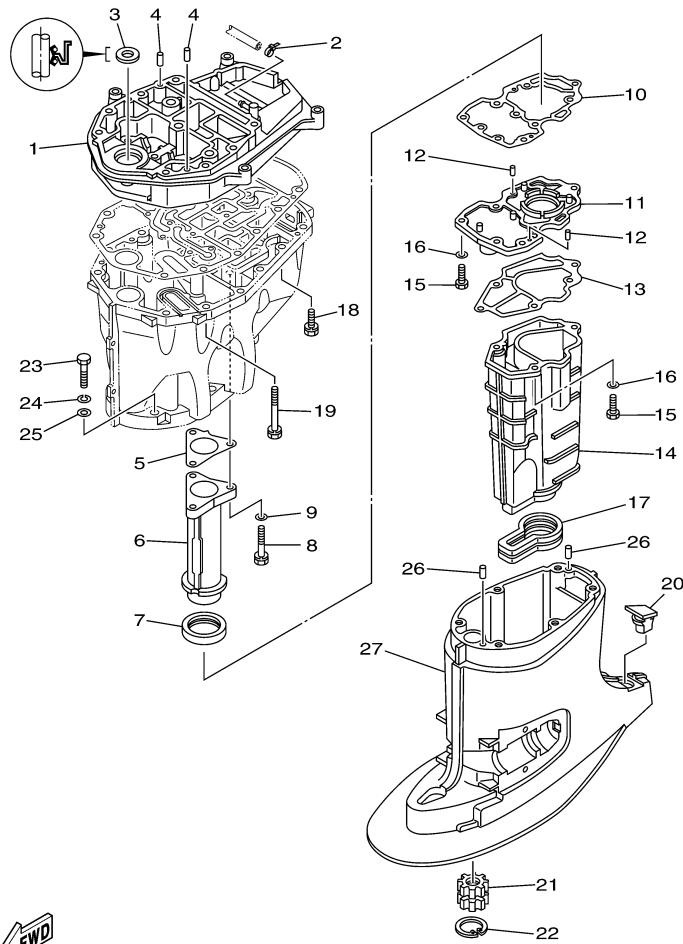
6C11010D2801

Part List

T50TLR 0405 / POWER TRIM TILT ASSY 2

REF - NO	PART NUMBER	PART NAME	QUANTITY	REMARKS
1	6C5-43880-01-00	MOTOR ASSY	1	
2	90206-08N51-00	.WASHER, WAVE	1	
3	93399-999T8-00	.BEARING	2	
4	6C5-43805-00-00	.ARMATURE ASSY	1	
5	6C5-43804-01-00	.STATOR ASSY	1	
6	6C5-43869-00-00	.O-RING	1	
7	6C5-43879-00-00	.SCREW, WITH WASHER	3	
8	6C5-43881-01-00	.FRAME, END	1	
9	6C5-43882-00-00	..OIL SEAL	1	
10	6C5-43891-00-00	..BRUSH 1	2	
11	6C5-4386K-00-00	..SPRING, BRUSH	2	
12	62X-43888-00-00	BOLT, SOCKET	3	

T50TLR 0405 / UPPER CASING



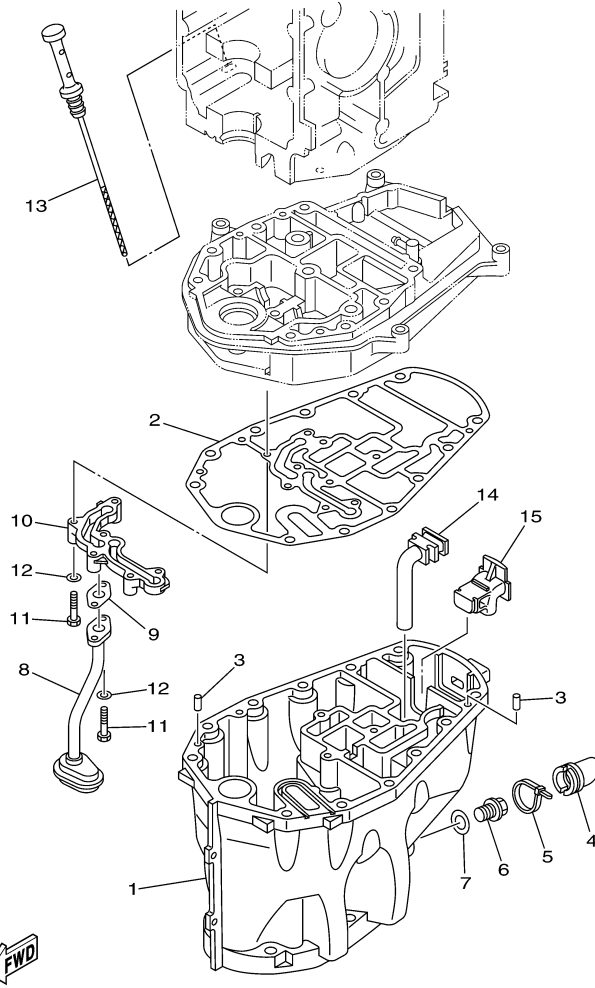

6C11010-D290

Part List

T50TLR 0405 / UPPER CASING

REF - NO	PART NUMBER	PART NAME	QUANTITY	REMARKS
1	6C5-41137-00-94	GUIDE, EXHAUST	1	
2	90465-11M10-00	CLAMP	1	
3	93103-18011-00	.OIL SEAL	1	
4	93608-12M05-00	PIN, DOWEL	2	
5	6C5-41133-00-00	.GASKET, EXHAUST MANIFOLD 1	1	
6	6C5-41131-00-5B	MANIFOLD, EXT. 1	1	
7	6C5-46132-00-00	.GASKET 1	1	
8	90119-06120-00	BOLT, WITH WASHER	3	
9	90201-06015-00	WASHER, PLATE	3	
10	6C5-41134-00-00	.GASKET, EXHAUST MANIFOLD	1	
11	6C5-45181-00-5B	PLATE	1	
12	93604-10M03-00	PIN, DOWEL	2	
13	6C5-41135-00-00	.GASKET, EXHAUST MANIFOLD	1	
14	6C5-14711-00-5B	MUFFLER 1	1	
15	97075-06025-00	BOLT	6	
16	92995-06600-00	WASHER	6	
17	6C5-45123-00-00	.GASKET, MUFFLER	1	
18	90119-08M79-00	BOLT, WITH WASHER	4	
19	90119-08M82-00	BOLT, WITH WASHER	8	
20	6C5-45155-00-00	CAP	1	
21	69W-45318-00-00	BUSHING, DRIVE SHAFT	1	
22	93420-36M01-00	CIRCLIP	1	
23	97075-10045-00	BOLT	6	
24	92995-10100-00	WASHER	6	
25	92995-10600-00	WASHER	6	
26	93606-12019-00	.PIN, DOWEL	2	
27	6C5-45111-00-4D	CASING, UPPER	1	

T50TLR 0405 / OIL PAN



©2014 Yamaha Motor Corporation, U.S.A. All rights reserved.


Part List

T50TLR 0405 / OIL PAN

REF - NO	PART NUMBER	PART NAME	QUANTITY	REMARKS
1	6C5-15311-00-5B	OIL PAN	1	
2	6C5-15312-00-00	.GASKET, OIL PAN	1	
3	93606-12019-00	.PIN, DOWEL	2	
4	6C5-15316-00-00	DAMPER 1	1	
5	90465-11M59-00	CLAMP	1	
6	90340-14M06-00	PLUG, STRAIGHT SCREW	1	
7	90430-14M09-00	.GASKET	1	
8	6C5-13411-00-00	STRAINER, OIL	1	
9	6C5-13414-00-00	GASKET, STRAINER COVER	1	
10	6C5-15333-00-00	COVER	1	
11	97013-06030-00	BOLT	6	
12	92903-06600-00	WASHER, PLATE	6	
13	6C5-15362-00-00	PLUG, OIL LEVEL	1	
14	6C5-45135-01-00	PIPE	1	
15	6C5-45136-01-00	PIPE	1	

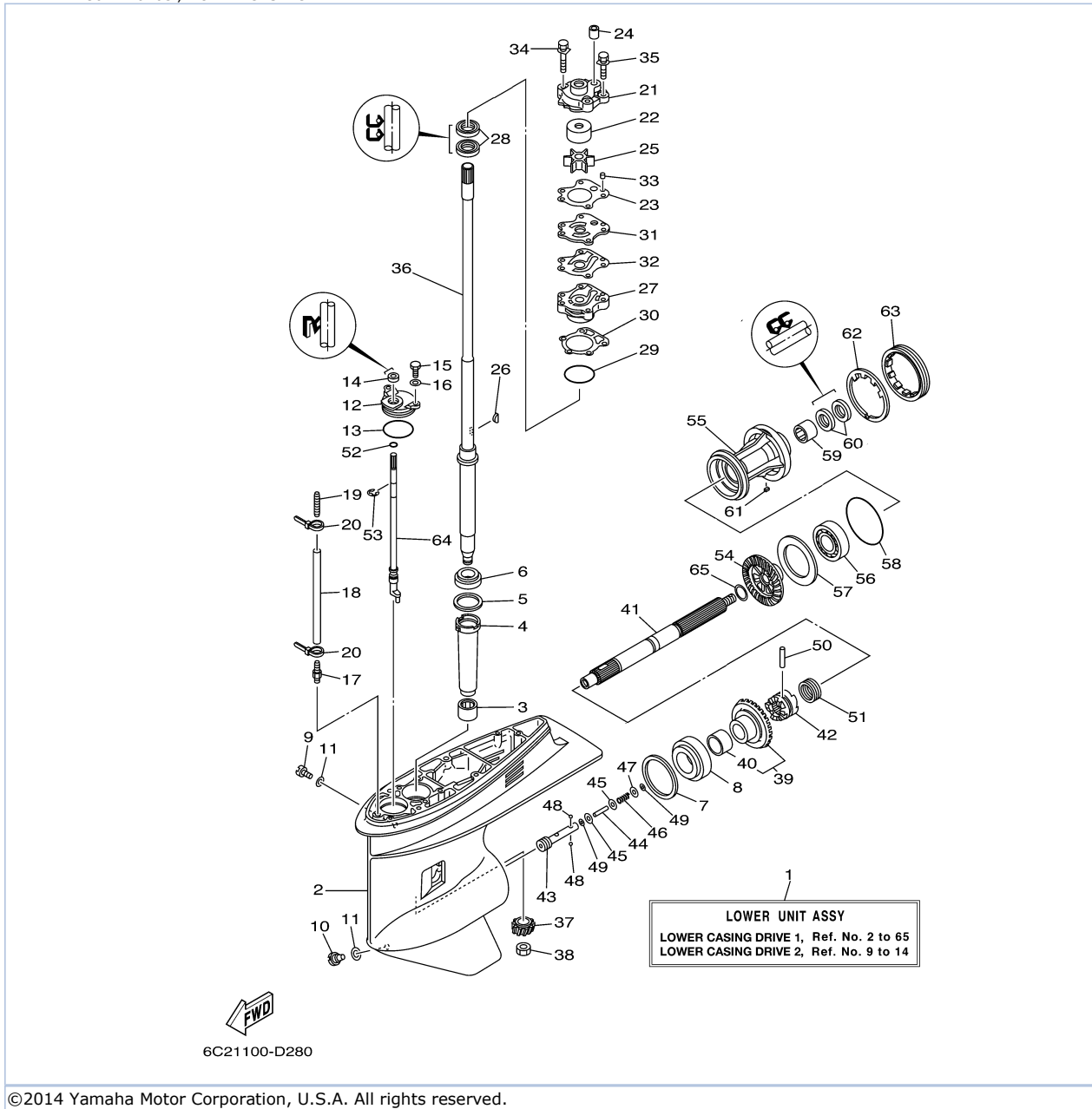
Part Notes

T50TLR 0405 / OIL PAN

PART NUMBER	NOTE TEXT
90430-14M09-00 	OEM: This part number is among the Top 100 Most Popular Marine Maintenance Parts as of March 2014.

©2014 Yamaha Motor Corporation, U.S.A. All rights reserved.

T50TLR 0405 / LOWER CASING DRIVE 1



Part List





T50TLR 0405 / LOWER CASING DRIVE 1

REF - NO	PART NUMBER	PART NAME	QUANTITY	REMARKS
1	68S-45300-30-4D	LOWER UNIT ASSY	1	L (20.7")
2	67F-45301-00-4D	CASING, LOWER	1	
3	93315-52563-00	BEARING	1	
4	688-45536-01-00	SLEEVE, DRIVE SHAFT	1	
5	688-45587-01-00	SHIM (T:0.10MM)	1	UR
5	688-45587-10-00	SHIM (T:0.12MM)	1	UR
5	688-45587-20-00	SHIM (T:0.15MM)	1	UR
5	688-45587-60-00	SHIM (T:0.50MM)	1	UR
5	688-45587-40-00	SHIM (T:0.30MM)	1	UR
5	688-45587-50-00	SHIM (T:0.40MM)	1	UR
5	688-45587-30-00	SHIM (T:0.18MM)	1	UR
6	93332-000U3-00	BEARING	1	
7	688-45567-01-00	SHIM (T:0.10MM)	1	UR
7	688-45567-10-00	SHIM (T:0.12MM)	1	UR
7	688-45567-20-00	SHIM (T:0.15MM)	1	UR
7	688-45567-60-00	SHIM (T:0.50MM)	1	UR
7	688-45567-40-00	SHIM (T:0.30MM)	1	UR
7	688-45567-50-00	SHIM (T:0.40MM)	1	UR
7	688-45567-30-00	SHIM (T:0.18MM)	1	UR
8	93332-00095-00	BEARING	1	
9	90340-08002-00	PLUG, STRAIGHT SCREW	1	
10	688-45341-10-00	PLUG, DRAIN	1	
11	90430-08020-00	.GASKET	2	
12	688-45321-00-00	PLATE	1	
13	93210-49046-00	.O-RING	1	
14	93106-09014-00	.OIL SEAL	1	
15	97095-06016-00	BOLT	2	
16	92995-06600-00	WASHER	2	
17	6E5-45378-00-00	NIPPLE, HOSE	1	
18	90445-07ME8-00	HOSE (L80)	1	L (20.7")
19	6E5-83558-10-00	END, NIPPLE	1	
20	90465-11M10-00	CLAMP	2	
21	6H3-44311-00-00	HOUSING, WATER PUMP	1	
22	663-44322-00-00	.INSERT, CARTRIDGE	1	
23	6H3-44315-A0-00	.GASKET, WATER PUMP	1	
24	663-44366-00-00	.DAMPER, WATER SEAL 2	1	
25	6H3-44352-00-00	.IMPELLER	1	
26	90280-03M03-00	.KEY, WOODRUFF	1	
27	6H3-44341-00-94	HOUSING, WATER PUMP	1	
28	93101-23070-00	.OIL SEAL	2	
29	93210-46044-00	O-RING	1	
30	688-44316-A0-00	.GASKET, WATER PUMP	1	
31	6H3-44323-00-00	.OUTER PLATE, CARTRIDGE	1	
32	6H3-44324-A0-00	.GASKET, CARTRIDGE	1	
33	93604-10M03-00	PIN, DOWEL	2	
34	90119-08M33-00	.BOLT, WITH WASHER	2	
35	90119-08M14-00	.BOLT, WITH WASHER	2	
36	64J-45501-30-00	DRIVE SHAFT COMP.	1	L (20.7")
37	6K5-45551-00-00	PINION (12T)	1	
38	90170-16M01-00	NUT	1	
39	68S-45560-00-00	GEAR 1 (28T)	1	
40	93317-322V0-00	.BEARING	1	
41	67F-45611-01-00	SHAFT, PROPELLER	1	

42	67F-45631-00-00	CLUTCH, DOG	1	
43	67F-45634-00-00	SLIDE, SHIFT	1	
44	6H1-45668-00-00	SHAFT, FREE 1	1	
45	6H1-45635-00-00	PLUNGER, SHIFT	2	
46	90501-12M48-00	SPRING, COMPRESSION	1	
47	90201-03313-00	WASHER, PLATE	1	
48	93503-16003-00	BALL	2	
49	90183-02M03-00	NUT, SPRING	2	
50	90250-07M02-00	PIN, STRAIGHT	1	
51	688-45633-00-00	RING, CROSS PIN	1	
52	93210-07003-00	.O-RING	1	
53	99001-08600-00	CIRCLIP	1	
54	68S-45571-00-00	GEAR 2 (28T)	1	
55	67F-45331-00-94	HOUSING, BEARING	1	
56	93306-207U0-00	.BEARING	1	
57	67F-45576-00-00	WASHER, THRUST 2	1	
58	93210-86M39-00	.O-RING	1	
59	93317-325U0-00	BEARING	1	
60	93101-25M03-00	.OIL SEAL	2	
61	90282-04010-00	KEY, STRAIGHT	1	
62	688-45383-02-00	WASHER, CLAW	1	
63	688-45384-00-00	NUT	1	
64	64J-44150-00-00	SHIFT CAM ASSY	1	
65	90201-25M05-00	WASHER, PLATE	1	

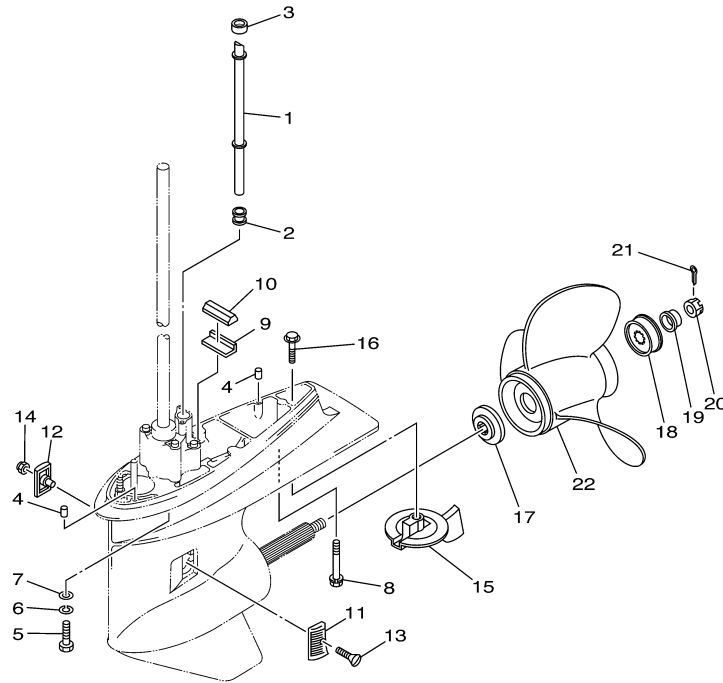
Part Notes

T50TLR 0405 / LOWER CASING DRIVE 1

PART NUMBER		NOTE TEXT
90430-08020-00		OEM: This part number is among the Top 100 Most Popular Marine Maintenance Parts as of March 2014.
93106-09014-00		OEM: This part number is among the Top 100 Most Popular Marine Maintenance Parts as of March 2014.
6H3-44352-00-00		OEM: This part number is among the Top 100 Most Popular Marine Maintenance Parts as of March 2014.
93101-25M03-00		OEM: This part number is among the Top 100 Most Popular Marine Maintenance Parts as of March 2014.

©2014 Yamaha Motor Corporation, U.S.A. All rights reserved.

T50TLR 0405 / LOWER CASING DRIVE 2



©2014 Yamaha Motor Corporation, U.S.A. All rights reserved.


Part List

T50TLR 0405 / LOWER CASING DRIVE 2

REF - NO	PART NUMBER	PART NAME	QUANTITY	REMARKS
1	6C5-44361-00-00	TUBE, WATER 1	1	L (20.7")
2	663-44367-00-00	DAMPER, WATER SEAL 3	1	
3	663-44366-00-00	.DAMPER, WATER SEAL 2	1	
4	93606-12019-00	.PIN, DOWEL	2	
5	97075-10040-00	BOLT	4	L (20.7")
6	92995-10100-00	WASHER	4	L (20.7")
7	92995-10600-00	WASHER	4	L (20.7")
8	90119-08M84-00	BOLT, WITH WASHER	1	L (20.7")
9	663-45376-00-94	GUIDE, SEAL DAMPER	1	
10	688-45375-00-00	DAMPER, SEAL	1	
11	6H1-45214-00-00	COVER, WATER INLET 1	1	
12	6H1-45215-00-00	COVER, WATER INLET 2	1	
13	90151-05M00-00	SCREW, COUNTERSUNK	1	
14	90185-05002-00	NUT, NYLON	1	
15	67F-45371-00-00	TAB-TRIM	1	
16	90105-10M67-00	BOLT, FLANGE	1	
17	688-45987-01-00	SPACER 1	1	
18	67F-45997-00-00	SPACER 2	1	
19	90389-25M00-00	BUSH	1	
20	90171-16011-00	NUT, CASTLE	1	
21	91490-40025-00	PIN. COTTER	1	
22	68S-45941-00-EL	PROPELLER (3X14"X11"-K)	1	UR
22	6E5-45954-00-EL	PROPELLER (3X14"X11"-K)	1	UR

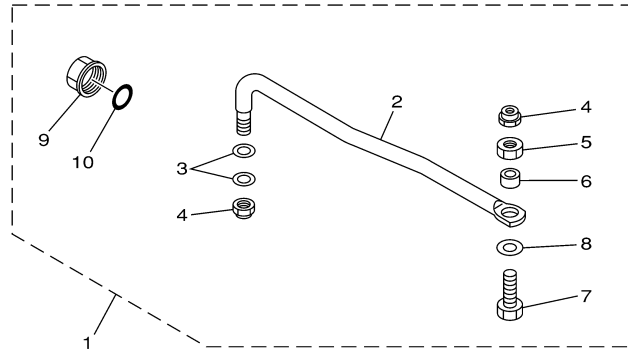
Part Notes

T50TLR 0405 / LOWER CASING DRIVE 2

PART NUMBER	NOTE TEXT
67F-45371-00-00 	OEM: This part number is among the Top 100 Most Popular Marine Maintenance Parts as of March 2014.

©2014 Yamaha Motor Corporation, U.S.A. All rights reserved.

T50TLR 0405 / STEERING GUIDE



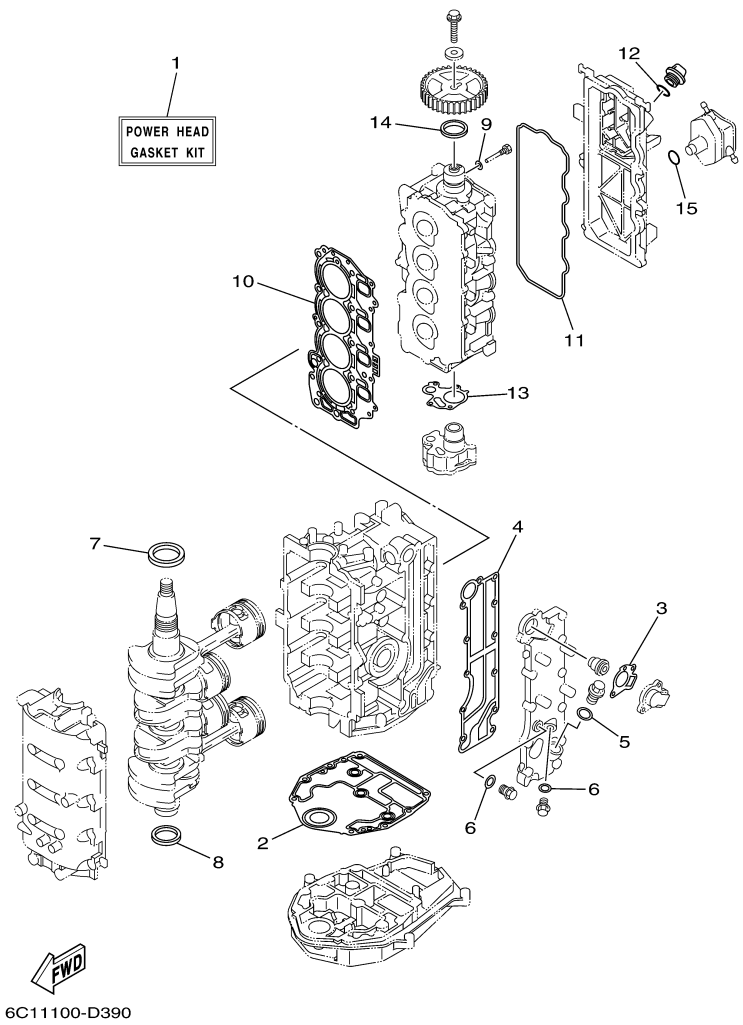
65W0010-8210

Part List

T50TLR 0405 / STEERING GUIDE

REF - NO	PART NUMBER	PART NAME	QUANTITY	REMARKS
1	65W-61350-00-00	STEERING GUIDE ATTACHMENT KIT	1	AP
2	65W-61351-00-00	.ROD, STEERING LINK	1	
3	90201-10M20-00	.WASHER, PLATE	2	
4	90185-09M01-00	.NUT, SELF-LOCKING	2	
5	90170-09M03-00	.NUT	1	
6	90387-10M42-00	.COLLAR	1	
7	90101-09M01-00	.BOLT	1	
8	90201-10M63-00	.WASHER, PLATE	1	
9	6E5-43145-01-00	.CAP, CLAMP BRACKET	1	
10	93210-16275-00	.O-RING	1	

T50TLR 0405 / REPAIR KIT 1



©2014 Yamaha Motor Corporation, U.S.A. All rights reserved.


Part List

T50TLR 0405 / REPAIR KIT 1

REF - NO	PART NUMBER	PART NAME	QUANTITY	REMARKS
1	6C5-W0001-00-00	POWER HEAD GASKET KIT	1	
2	67C-11351-01-00	.GASKET, CYLINDER	1	
3	62Y-12414-00-00	.GASKET, COVER	1	
4	6C5-41114-00-00	.GASKET, EXHAUST OUTER COVER	1	
5	90430-18130-00	.GASKET	1	
6	90430-14115-00	.GASKET	2	
7	93102-43M42-00	.OIL SEAL	1	
8	93101-35002-00	.OIL SEAL	1	
9	90430-06014-00	.GASKET	1	
10	6C5-11181-01-00	.GASKET, CYLINDER HEAD 1	1	
11	62Y-11356-00-00	.SEAL, CYLINDER 2	1	
12	93210-24M79-00	.O-RING	1	
13	6C5-13329-00-00	.GASKET, PUMP COVER	1	
14	93102-37M40-00	.OIL SEAL	1	
15	93210-24M79-00	.O-RING	1	

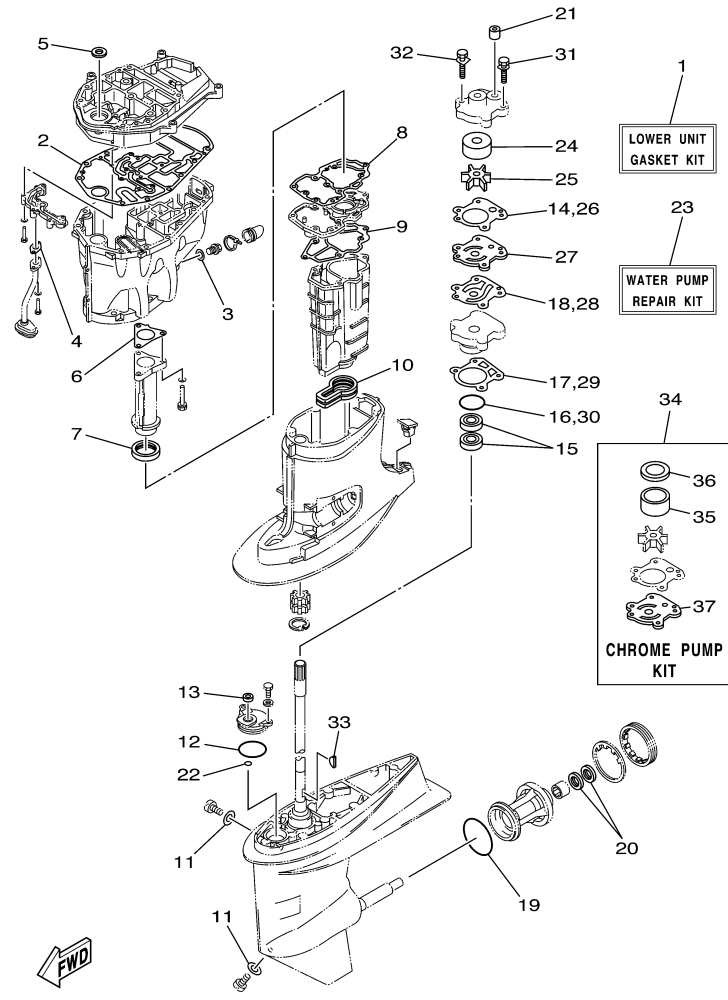
Part Notes

T50TLR 0405 / REPAIR KIT 1

PART NUMBER	NOTE TEXT
62Y-12414-00-00 	OEM: This part number is among the Top 100 Most Popular Marine Maintenance Parts as of March 2014.

©2014 Yamaha Motor Corporation, U.S.A. All rights reserved.

T50TLR 0405 / REPAIR KIT 2



©2014 Yamaha Motor Corporation, U.S.A. All rights reserved.






Part List

T50TLR 0405 / REPAIR KIT 2

REF - NO	PART NUMBER	PART NAME	QUANTITY	REMARKS
1	6C6-W0001-20-00	LOWER UNIT GASKET KIT	1	
2	6C5-15312-00-00	.GASKET, OIL PAN	1	
3	90430-14M09-00	.GASKET	1	
4	6C5-13414-00-00	.GASKET, STRAINER COVER	1	
5	93103-18011-00	.OIL SEAL	1	
6	6C5-41133-00-00	.GASKET, EXHAUST MANIFOLD 1	1	
7	6C5-46132-00-00	.GASKET 1	1	
8	6C5-41134-00-00	.GASKET, EXHAUST MANIFOLD	1	
9	6C5-41135-00-00	.GASKET, EXHAUST MANIFOLD	1	
10	6C5-45123-00-00	.GASKET, MUFFLER	1	
11	90430-08020-00	.GASKET	2	
12	93210-49046-00	.O-RING	1	
13	93106-09014-00	.OIL SEAL	1	
14	6H3-44315-A0-00	.GASKET, WATER PUMP	1	
15	93101-23070-00	.OIL SEAL	2	
16	93210-46044-00	.O-RING	1	
17	688-44316-A0-00	.GASKET, WATER PUMP	1	
18	6H3-44324-A0-00	.GASKET, CARTRIDGE	1	
19	93210-86M39-00	.O-RING	1	
20	93101-25M03-00	.OIL SEAL	2	
21	663-44366-00-00	.DAMPER, WATER SEAL 2	1	
22	93210-07003-00	.O-RING	1	
23	6H3-W0078-02-00	WATER PUMP REPAIR KIT	1	
24	663-44322-00-00	.INSERT, CARTRIDGE	1	
25	6H3-44352-00-00	.IMPELLER	1	
26	6H3-44315-A0-00	.GASKET, WATER PUMP	1	
27	6H3-44323-00-00	.OUTER PLATE, CARTRIDGE	1	
28	6H3-44324-A0-00	.GASKET, CARTRIDGE	1	
29	688-44316-A0-00	.GASKET, WATER PUMP	1	
30	93210-46044-00	.O-RING	1	
31	90119-08M14-00	.BOLT, WITH WASHER	2	
32	90119-08M33-00	.BOLT, WITH WASHER	2	
33	90280-03M03-00	.KEY, WOODRUFF	1	
34	6H3-W0078-0A-00	CHROME PUMP KIT	1	
35	670-44322-01-00	.INSERT, CARTRIDGE	1	
36	670-44321-00-00	.INNER PLATE, CARTRIDGE	1	
37	6H3-44323-40-00	.OUTER PLATE, CARTRIDGE	1	

Part Notes

T50TLR 0405 / REPAIR KIT 2

PART NUMBER		NOTE TEXT
90430-14M09-00		OEM: This part number is among the Top 100 Most Popular Marine Maintenance Parts as of March 2014.
90430-08020-00		OEM: This part number is among the Top 100 Most Popular Marine Maintenance Parts as of March 2014.
93106-09014-00		OEM: This part number is among the Top 100 Most Popular Marine Maintenance Parts as of March 2014.
93101-25M03-00		OEM: This part number is among the Top 100 Most Popular Marine Maintenance Parts as of March 2014.
6H3-44352-00-00		OEM: This part number is among the Top 100 Most Popular Marine Maintenance Parts as of March 2014.

©2014 Yamaha Motor Corporation, U.S.A. All rights reserved.

T50TLR 0405 / MODELS IN THIS CATALOG

F50TLR 6C1-1006373~1012526

(6C12)

F60TLR 6C5-1007597~1016448

(6C52)

F60TJR 6C5-1007597~1016448

(6C52)

**ALL THESE MODELS USE THIS SAME PARTS CATALOG.
BE SURE TO ORDER ONLY THOSE PARTS APPLICABLE
TO THE DESIRED MODEL.**

©2014 Yamaha Motor Corporation, U.S.A. All rights reserved.

©2014 Yamaha Motor Corporation, U.S.A. All rights reserved.