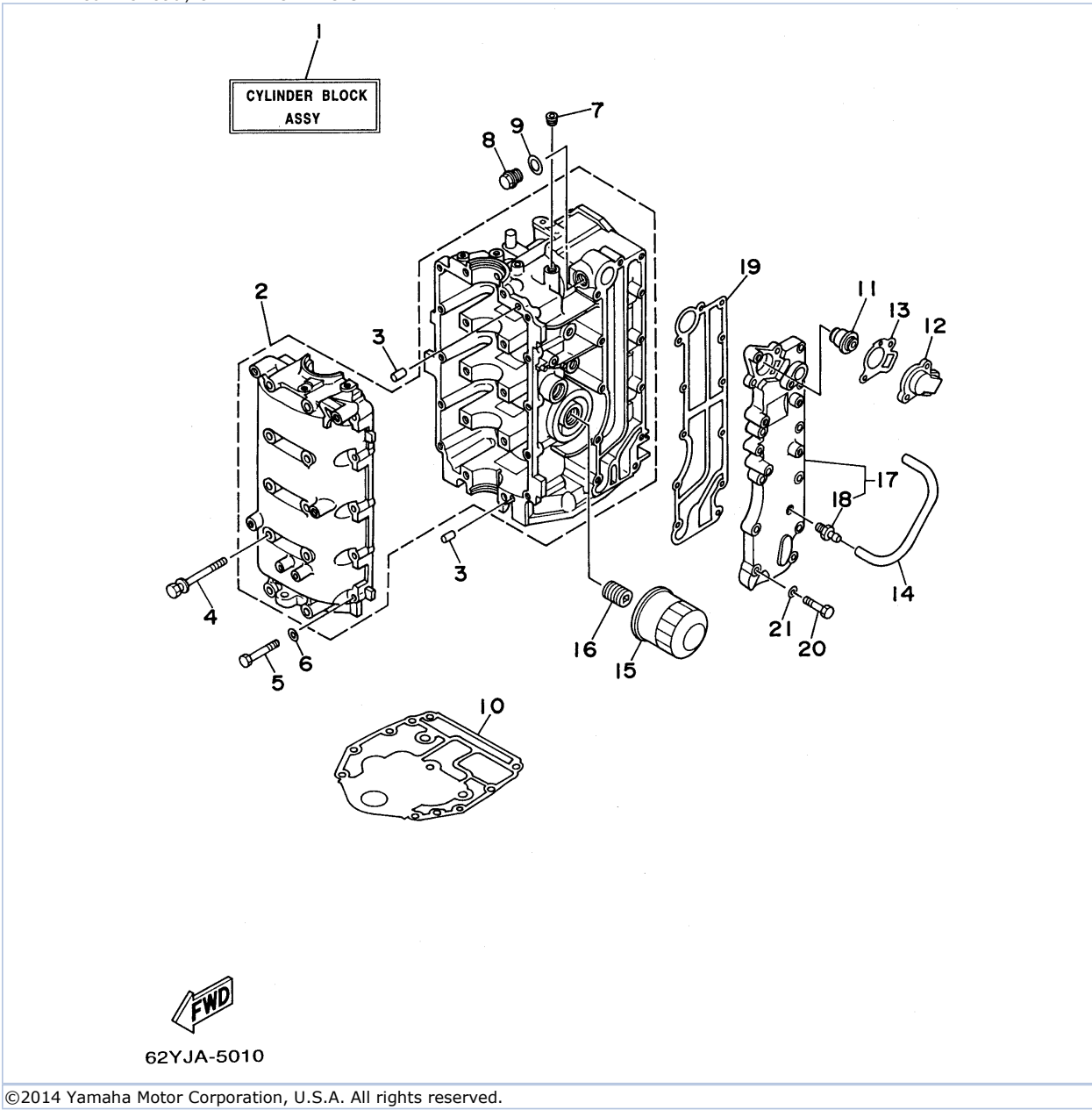


T50TLRU 1996 / CYLINDER CRANKCASE



©2014 Yamaha Motor Corporation, U.S.A. All rights reserved.




## Part List

T50TLRU 1996 / CYLINDER CRANKCASE

REF - NO	PART NUMBER	PART NAME	QUANTITY	REMARKS
1	62Y-W009B-00-4D	CYLINDER BLOCK ASSEMBLY (REF. NO. 2~13 & CYLINDER - CR)	1	
2	62Y-15100-00-94	CRANKCASE ASSEMBLY	1	
3	99530-08012-00	PIN, DOWEL	2	
4	90119-08M01-00	BOLT, WITH WASHER	10	
5	97014-06035-00	BOLT, HEXAGON	10	
6	92990-06600-00	WASHER, PLATE	10	
7	90344-51M01-00	PLUG, TAPER SCREW	1	
8	90340-14M06-00	PLUG, STRAIGHT SCREW	1	
9	90430-14115-00	.GASKET	1	
10	62Y-11351-00-00	GASKET, CYLINDER	1	
11	6G8-12411-02-00	THERMOSTAT	1	
12	6H3-12413-00-9M	COVER, THERMOSTAT	1	
13	62Y-12414-00-00	.GASKET, COVER	1	
14	90445-09252-00	HOSE	1	
15	3FV-13440-00-00	ELEMENT ASSY, OIL CLEANER	1	
16	90401-20M00-00	BOLT, UNION	1	
17	62Y-41113-00-9M	OUTER COVER, EXHAUST	1	
18	62Y-12481-00-00	.PIPE 1	1	
19	62Y-41114-00-00	GASKET, EXHAUST OUTER COVER	1	
20	97014-06035-00	BOLT, HEXAGON	12	
21	92990-06600-00	WASHER, PLATE	12	

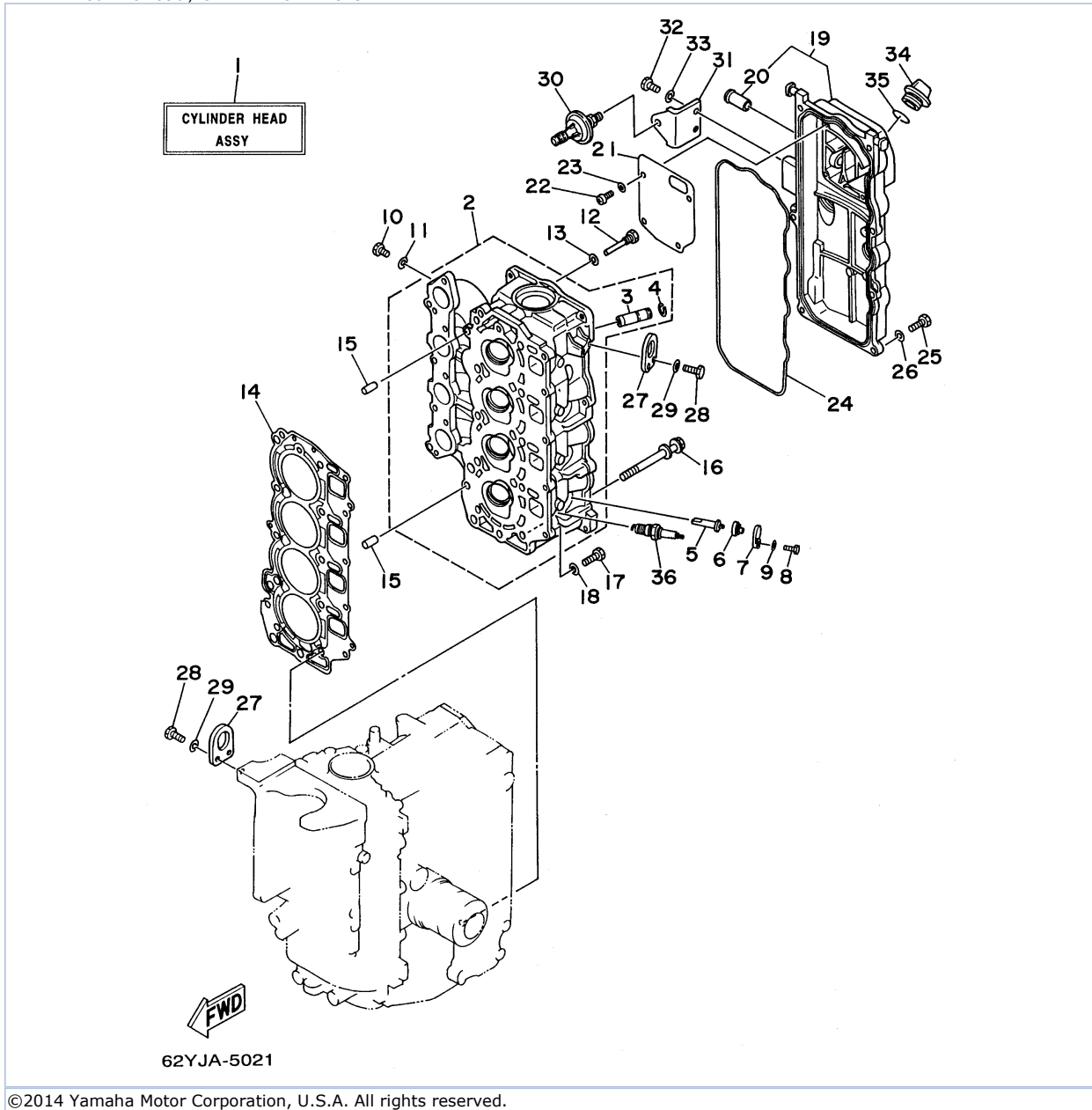
## Part Notes

T50TLRU 1996 / CYLINDER CRANKCASE

PART NUMBER		NOTE TEXT
92990-06600-00		OEM: This part number is among the Top 100 Most Popular Marine Maintenance Parts as of March 2014.
62Y-12414-00-00		OEM: This part number is among the Top 100 Most Popular Marine Maintenance Parts as of March 2014.
92990-06600-00		OEM: This part number is among the Top 100 Most Popular Marine Maintenance Parts as of March 2014.

©2014 Yamaha Motor Corporation, U.S.A. All rights reserved.

T50TLRU 1996 / CYLINDER CRANKCASE 2



©2014 Yamaha Motor Corporation, U.S.A. All rights reserved.






## Part List

T50TLRU 1996 / CYLINDER CRANKCASE 2

REF - NO	PART NUMBER	PART NAME	QUANTITY	REMARKS
1	62Y-W009A-00-4D	CYLINDER HEAD COMPLETE	1	
2	62Y-11111-00-94	HEAD, CYLINDER 1	1	
3	62Y-11133-10-00	.GUIDE, VALVE 1	8	
4	93450-09M01-00	.CIRCLIP	8	
5	6J8-11325-00-00	ANODE	4	
6	62Y-11328-00-00	GROMMET, ANODE	4	
7	6H3-11327-00-94	COVER, ANODE	4	
8	97013-06020-00	BOLT	4	
9	92990-06600-00	WASHER, PLATE	4	
10	97095-06010-00	BOLT	4	
11	90430-06014-00	.GASKET	4	
12	90109-06M65-00	BOLT	1	
13	90430-06014-00	.GASKET	1	
14	62Y-11181-00-00	GASKET, CYLINDER HEAD 1	1	
15	99530-08012-00	PIN, DOWEL	2	
16	90119-09M00-00	BOLT, WITH WASHER	10	
17	97013-06025-00	BOLT	5	
18	92990-06600-00	WASHER, PLATE	5	
19	62Y-11191-00-94	COVER, CYLINDER HEAD 1	1	
20	62Y-14485-00-00	.PIPE, JOINT	1	
21	62Y-11168-00-00	COVER, BREATHER	1	
22	98507-04010-00	SCREW, PAN HEAD	4	
23	92907-04600-00	WASHER	4	
24	62Y-11356-00-00	.SEAL, CYLINDER 2	1	
25	97013-06020-00	BOLT	7	
26	92990-06600-00	WASHER, PLATE	7	
27	62Y-11119-00-00	HANGER, ENGINE	2	
28	97095-06020-00	BOLT	4	
29	92990-06600-00	WASHER, PLATE	4	
30	62Y-14368-01-00	DIAPHRAGM ASSY 1	1	
31	62Y-14413-00-00	STAY	1	
32	97095-06016-00	BOLT	2	
33	92990-06600-00	WASHER, PLATE	2	
34	6G8-15363-00-00	PLUG, OIL	1	
35	93210-25070-00	O-RING	1	
36	NGK-DPR6E-A9-00	PLUG, SPARK (NGK DPR6EA-9)	4	

## Part Notes

T50TLRU 1996 / CYLINDER CRANKCASE 2

PART NUMBER	NOTE TEXT
92990-06600-00	 OEM: This part number is among the Top 100 Most Popular Marine Maintenance Parts as of March 2014.
92990-06600-00	 OEM: This part number is among the Top 100 Most Popular Marine Maintenance Parts as of March 2014.
92990-06600-00	 OEM: This part number is among the Top 100 Most Popular Marine Maintenance Parts as of March 2014.
92990-06600-00	 OEM: This part number is among the Top 100 Most Popular Marine Maintenance Parts as of March 2014.
92990-06600-00	 OEM: This part number is among the Top 100 Most Popular Marine Maintenance Parts as of March 2014.

©2014 Yamaha Motor Corporation, U.S.A. All rights reserved.

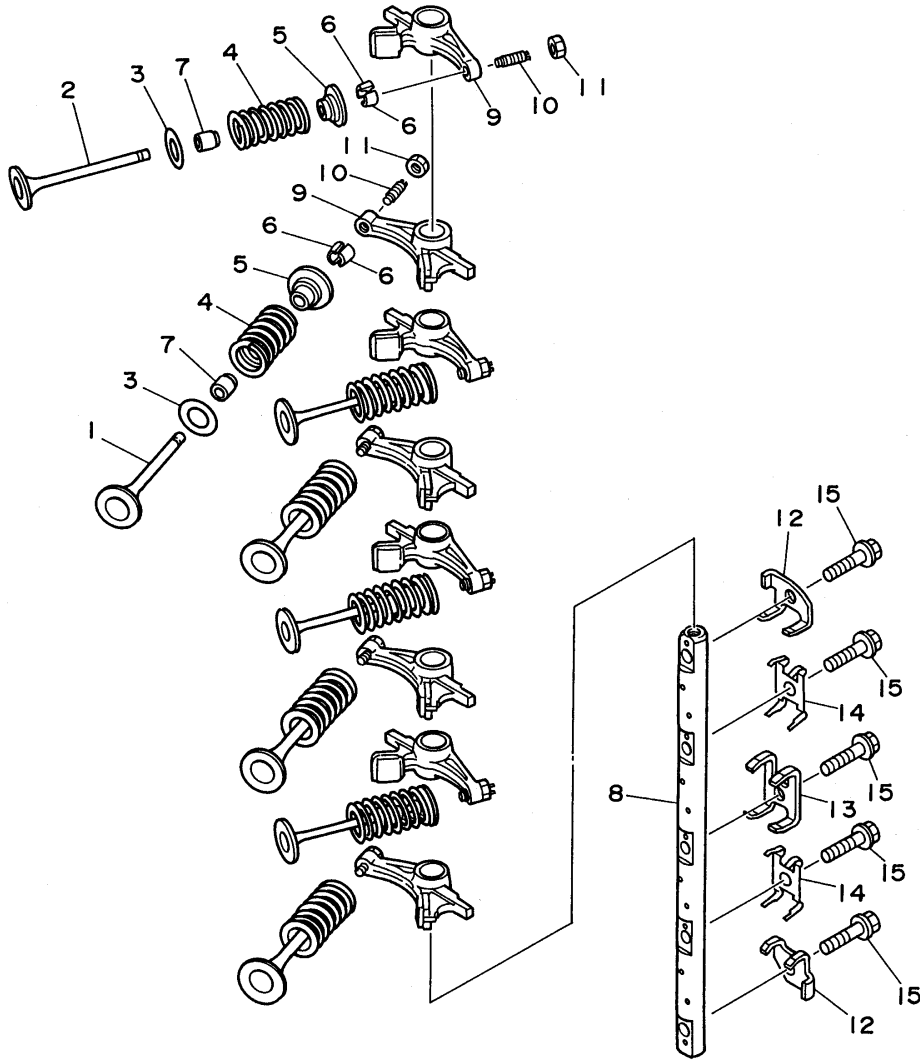


## Part List

T50TLRU 1996 / CRANKSHAFT PISTON

REF - NO	PART NUMBER	PART NAME	QUANTITY	REMARKS
1	93102-43M42-00	.OIL SEAL	1	
2	93102-35M41-00	OIL SEAL	1	
3	62Y-11411-00-00	CRANKSHAFT	1	
4	62Y-11416-10-00	PLANE BEARING, CRANKSHAFT 1	10	UR BLACK
4	62Y-11416-20-00	PLANE BEARING, CRANKSHAFT 1	10	UR BLUE
4	62Y-11416-00-00	PLANE BEARING, CRANKSHAFT 1	10	UR BROWN
5	62Y-11650-00-00	CONNECTING ROD ASSEMBLY	4	
6	62Y-11654-00-00	.BOLT, CONNECTING ROD	2	
7	62Y-11656-20-00	PLANE BEARING, CONNECTING ROD	8	UR BLUE
7	62Y-11656-00-00	PLANE BEARING, CONNECTING ROD	8	UR BROWN
7	62Y-11656-10-00	PLANE BEARING, CONNECTING ROD	8	UR BLACK
8	62Y-11631-00-96	PISTON (STD)	4	
8	62Y-11635-00-00	PISTON (0.25MM O/S)	4	AP
8	62Y-11636-00-00	PISTON (0.50MM O/S)	4	AP
9	62Y-11605-00-00	PISTON RING SET (0.50MM O/S)	4	AP
9	62Y-11604-00-00	PISTON RING SET (0.25MM O/S)	4	AP
9	62Y-11603-00-00	PISTON RING SET (STD)	4	
10	62Y-11633-00-00	PIN, PISTON	4	
11	93450-17129-00	CIRCLIP	8	

T50TLRU 1996 / VALVE



62YJA-5040

©2014 Yamaha Motor Corporation, U.S.A. All rights reserved.

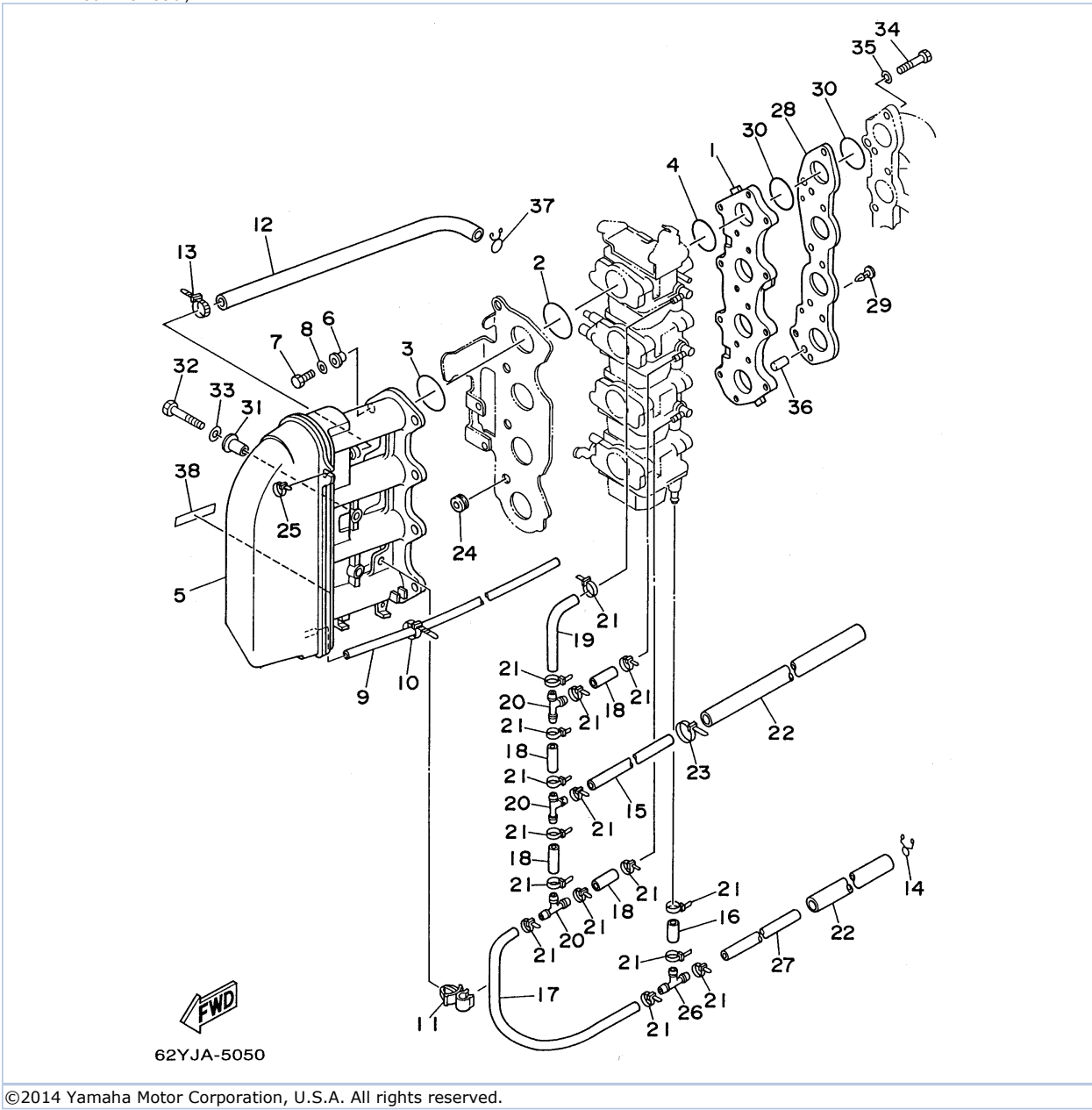
## Part List

T50TLRU 1996 / VALVE

REF - NO	PART NUMBER	PART NAME	QUANTITY	REMARKS
1	62Y-12111-00-00	VALVE, INTAKE	4	
2	62Y-12121-00-00	VALVE, EXHAUST	4	
3	62Y-12116-00-00	SEAT, VALVE SPRING	8	
4	51Y-12114-00-00	SPRING, VALVE OUTER	8	
5	30X-12117-00-00	RETAINER, VALVE SPRING	8	
6	30X-12118-00-00	LOCK, VALVE SPRING RETAINER	16	
7	51Y-12119-00-00	SEAL, VALVE STEM	8	
8	62Y-12146-00-00	SHAFT, ROCKER	1	
9	62Y-12151-00-00	ARM, VALVE ROCKER	8	
10	62Y-12159-00-00	SCREW, VALVE ADJUSTING	8	
11	62Y-12158-00-00	NUT, LOCK	8	
12	62Y-12238-00-00	PLATE, BOLT STOPPER	2	
13	62Y-12279-00-00	PLATE	1	
14	62Y-12216-00-00	SPRING	2	
15	90109-08M63-00	BOLT	5	



T50TLRU 1996 / INTAKE






## Part List

T50TLRU 1996 / INTAKE

REF - NO	PART NUMBER	PART NAME	QUANTITY	REMARKS
1	62Y-13586-00-94	JOINT, CARBURETOR 1	1	
2	93210-35M86-00	.O-RING	4	
3	93210-38MH3-00	O-RING	4	
4	93210-30MH4-00	O-RING	4	
5	62Y-14440-00-00	SILENCER ASSY, INTAKE	1	
6	90387-06M70-00	COLLAR	8	
7	97095-06090-00	BOLT	8	
8	92990-06600-00	WASHER, PLATE	8	
9	90445-07M38-00	HOSE (L300)	1	
10	90465-11M10-00	CLAMP	1	
11	90464-10M32-00	CLAMP	1	
12	62Y-15373-00-00	PIPE, BREATHER	1	
13	90465-13M36-00	CLAMP	1	
14	90467-10M04-00	CLIP	1	
15	90445-10M33-00	HOSE (L320)	1	
16	90445-10M85-00	HOSE	1	
17	62Y-24311-00-00	PIPE, FUEL 1	1	
18	90445-10M14-00	HOSE	4	
19	62Y-24313-00-00	PIPE 3	1	
20	688-24378-00-00	PIPE, JOINT 3	3	
21	90465-11M10-00	CLAMP	16	
22	90445-16M00-00	HOSE	2	
23	90465-11M10-00	CLAMP	1	
24	90480-11224-00	GROMMET	4	
25	90465-11M10-00	CLAMP	1	
26	62Y-24378-00-00	PIPE, JOINT 4	1	
27	90445-10M18-00	.HOSE (L295)	1	
28	62Y-14271-00-00	INSULATOR	1	
29	90338-04M17-00	.PLUG	2	
30	93210-35M86-00	.O-RING	8	
31	90387-06M15-00	COLLAR	2	
32	97095-06030-00	BOLT	2	
33	92990-06600-00	WASHER, PLATE	2	
34	97095-06025-00	BOLT	8	
35	92990-06600-00	WASHER, PLATE	8	
36	93608-16M16-00	PIN, DOWEL	2	
37	90467-15M14-00	CLIP	1	
38	6E0-44191-11-00	INDICATOR, SHIFT	1	

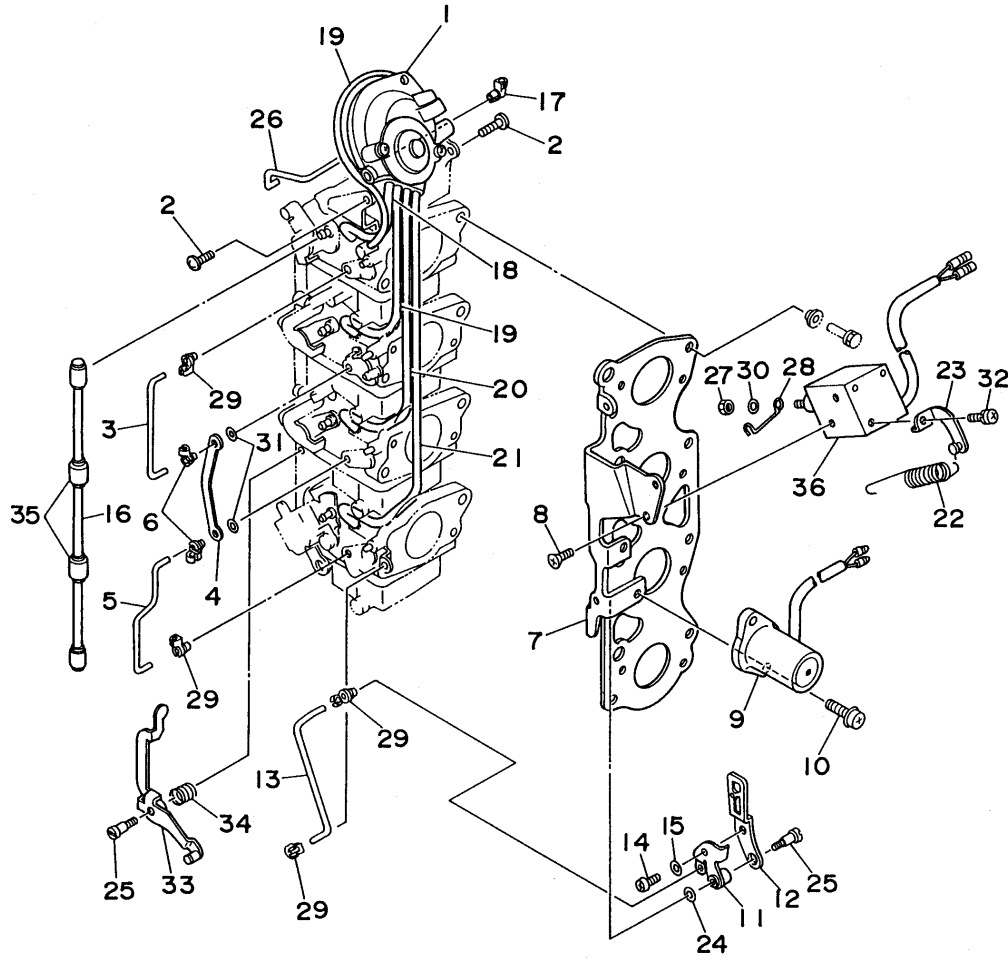
## Part Notes

T50TLRU 1996 / INTAKE

PART NUMBER	NOTE TEXT
92990-06600-00 	OEM: This part number is among the Top 100 Most Popular Marine Maintenance Parts as of March 2014.
92990-06600-00 	OEM: This part number is among the Top 100 Most Popular Marine Maintenance Parts as of March 2014.
92990-06600-00 	OEM: This part number is among the Top 100 Most Popular Marine Maintenance Parts as of March 2014.

©2014 Yamaha Motor Corporation, U.S.A. All rights reserved.

T50TLRU 1996 / CARBURETOR LINK



62YJA-5060

©2014 Yamaha Motor Corporation, U.S.A. All rights reserved.


## Part List

T50TLRU 1996 / CARBURETOR LINK

REF - NO	PART NUMBER	PART NAME	QUANTITY	REMARKS
1	62Y-14369-00-00	DIAPHRAGM ASSY 2	1	
2	97890-05006-00	SCREW, PAN HEAD	3	
3	62Y-14585-00-00	ROD, CHOKE	1	
4	62Y-14585-10-00	ROD, CHOKE	1	
5	62Y-14585-20-00	ROD, CHOKE	1	
6	6F5-41262-01-00	JOINT, THROTTLE LEVER	2	
7	62Y-14291-00-00	BRACKET 1	1	
8	62Y-14592-00-00	SCREW	2	
9	62Y-14380-00-00	PRIME STARTER ASSY	1	
10	62Y-14429-00-00	SCREW	2	
11	62Y-14175-00-00	LEVER, STARTER 1	1	
12	62Y-14175-10-00	LEVER, STARTER 1	1	
13	62Y-14585-30-00	ROD, CHOKE	1	
14	62Y-14567-00-00	SCREW	1	
15	92990-05600-00	WASHER, PLATE	1	
16	62Y-14585-40-00	ROD, CHOKE	1	
17	62Y-41262-00-00	JOINT, CHOKE LEVER	1	
18	62Y-14349-10-00	PIPE	1	
19	62Y-14349-20-00	PIPE	2	
20	62Y-14349-00-00	PIPE	1	
21	62Y-14349-30-00	PIPE	1	
22	62Y-14487-00-00	SPRING	1	
23	62Y-14255-00-00	PLATE	1	
24	92990-04600-00	WASHER, PLATE	1	
25	62Y-14429-10-00	SCREW	2	
26	62Y-14585-50-00	ROD, CHOKE	1	
27	62Y-14258-00-00	NUT, LOCK	1	
28	62Y-1212A-00-00	WIRE, PLUS LEAD	1	
29	6F5-41262-01-00	JOINT, THROTTLE LEVER	4	
30	62Y-14475-10-00	WASHER	1	
31	62Y-14596-00-00	WASHER	2	
32	97980-04108-00	.SCREW, WITH WASHER	1	
33	62Y-14360-00-00	THROTTLE DAMPER ASSY	1	
34	62Y-14555-00-00	SPRING	1	
35	62Y-14578-00-00	COLLAR	2	
36	6E9-86111-01-00	COIL, SOLENOID	1	

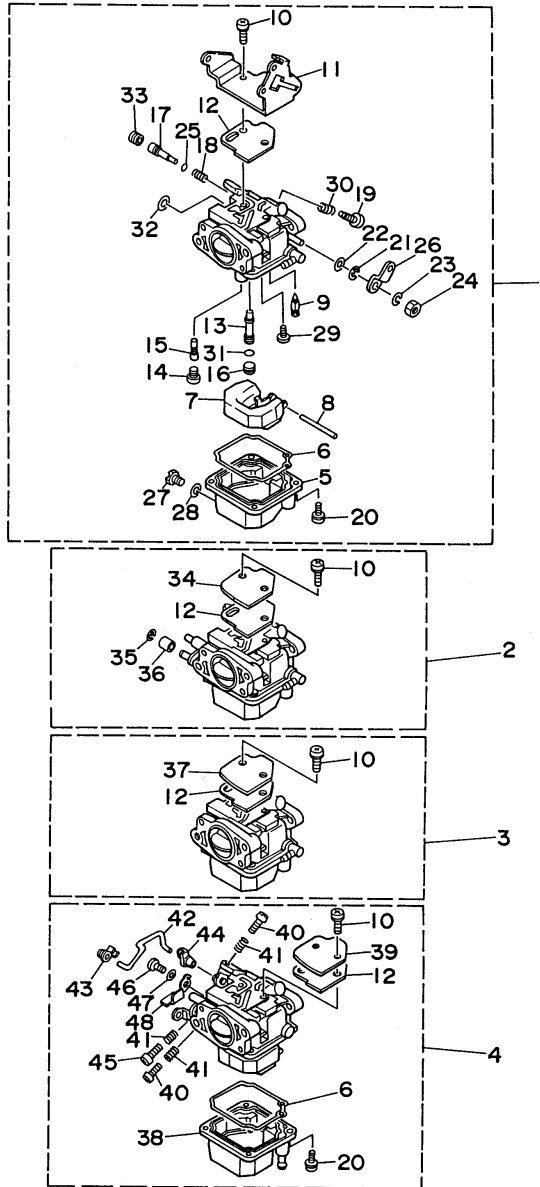
## Part Notes

T50TLRU 1996 / CARBURETOR LINK

PART NUMBER	NOTE TEXT
62Y-14380-00-00	 OEM: The O-Ring for sealing this part to the carburetor body is not shown separately. The Part Number for the O-Ring is 93210-17001-00.

©2014 Yamaha Motor Corporation, U.S.A. All rights reserved.

T50TLRU 1996 / CARBURETOR



62YJA-5070

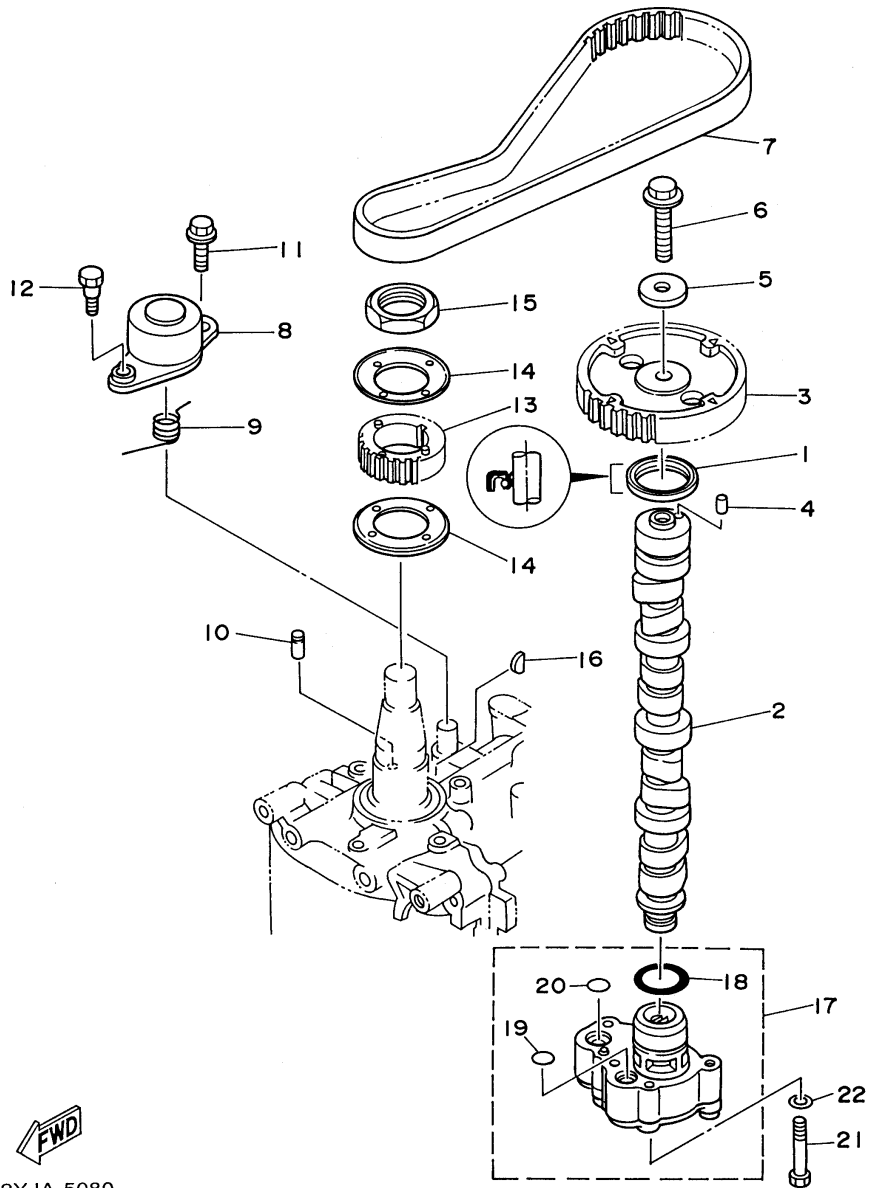
©2014 Yamaha Motor Corporation, U.S.A. All rights reserved.

## Part List

T50TLRU 1996 / CARBURETOR

REF - NO	PART NUMBER	PART NAME	QUANTITY	REMARKS
1	62Y-14901-00-00	CARBURETOR ASSEMBLY 1	1	
2	62Y-14902-00-00	CARBURETOR ASSEMBLY 2	1	
3	62Y-14903-00-00	CARBURETOR ASSEMBLY 3	1	
4	62Y-14904-00-00	CARBURETOR ASSEMBLY 4	1	
5	62Y-14381-00-00	.BODY, FLOAT CHAMBER	3	3
6	6L2-14384-00-00	.GASKET, FLOAT CHAMBER	4	
7	6L2-14385-00-00	.FLOAT	4	
8	6E5-14386-01-00	.PIN, FLOAT	4	
9	6L2-14392-00-00	.VALVE	4	
10	97980-04110-00	.SCREW, WITH WASHER	8	
11	62Y-14157-00-00	.COVER, MIXING	1	CARB. 1
12	62Y-14399-00-00	.GASKET	4	
13	62Y-14341-00-00	.NOZZLE, MAIN	4	
14	62Y-14343-56-00	.JET, MAIN (112)	4	
15	62Y-14342-21-00	.JET, PILOT ( 42)	4	
16	62Y-14355-00-00	.PLUG	4	
17	12V-14105-00-00	.PILOT SCREW SET	4	
18	30X-14334-00-00	.SPRING, AIR ADJUSTING	4	
19	62Y-14321-00-00	.SCREW, THROTTLE	3	3
20	97980-04112-00	.SCREW, WITH WASHER	16	
21	93430-04301-00	.CIRCLIP	4	
22	62Y-14475-00-00	.WASHER	4	
23	6A1-14356-00-00	.WASHER, SPRING	1	CARB. 1
24	654-14363-01-00	.NUT	1	CARB. 1
25	5H0-14397-00-00	.O-RING	4	
26	62Y-14276-00-00	.LEVER	1	CARB. 1
27	62Y-14383-00-00	.SCREW, DRAIN	4	
28	62Y-14398-00-00	.GASKET	4	
29	98980-04006-00	.SCREW, BIND	4	
30	646-14212-01-00	.SPRING, PILOT ADJUSTING	3	3
31	6F5-14397-00-00	.O-RING	4	
32	6L2-14357-00-00	.WASHER, PLAIN	3	3
33	50M-14355-00-00	.PLUG	4	
34	6L2-14157-00-00	.COVER, MIXING	1	CARB. 2
35	62Y-14159-00-00	.CLIP	1	CARB. 2
36	62Y-14267-00-00	.ROLLER	1	CARB. 2
37	6L2-14157-00-00	.COVER, MIXING	1	CARB. 3
38	62Y-14381-10-00	.BODY, FLOAT CHAMBER	1	CARB. 4
39	6L2-14157-00-00	.COVER, MIXING	1	CARB. 4
40	62Y-14321-00-00	.SCREW, THROTTLE	2	CARB. 4
41	646-14212-01-00	.SPRING, PILOT ADJUSTING	3	CARB. 4
42	62Y-14379-00-00	.ROD, STARTER	1	CARB. 4
43	6F5-41262-01-00	.JOINT, THROTTLE LEVER	1	CARB. 4
44	62Y-41262-00-00	.JOINT, CHOKE LEVER	1	CARB. 4
45	664-14321-01-00	.SCREW, THROTTLE	1	CARB. 4
46	664-14327-01-00	.SCREW	1	CARB. 4
47	62Y-14597-00-00	.WASHER	1	CARB. 4
48	62Y-14573-00-00	.LEVER	1	CARB. 4

T50TLRU 1996 / OIL PUMP



62YJA-5080

©2014 Yamaha Motor Corporation, U.S.A. All rights reserved.


## Part List

T50TLRU 1996 / OIL PUMP

REF - NO	PART NUMBER	PART NAME	QUANTITY	REMARKS
1	93102-37M40-00	.OIL SEAL	1	
2	62Y-12171-00-00	CAMSHAFT 1	1	
3	62Y-11537-00-00	GEAR, DRIVEN	1	
4	93605-14143-00	PIN, DOWEL	1	
5	90201-10M06-00	WASHER, PLATE	1	
6	95895-10040-00	BOLT, FLANGE	1	
7	62Y-46241-00-00	BELT	1	
8	62Y-11590-00-00	TENSIONER ASSY	1	
9	90508-23M36-00	SPRING, TORSION	1	
10	90249-07M29-00	PIN	1	
11	95895-08020-00	BOLT, FLANGE	1	
12	90109-06M64-00	BOLT	1	
13	62Y-11536-00-00	GEAR, DRIVE	1	
14	62Y-11557-00-00	WASHER 1	2	
15	90170-35M32-00	NUT	1	
16	90280-04M06-00	KEY, WOODRUFF	1	
17	62Y-13300-00-00	OIL PUMP ASSY	1	
18	93210-33MH2-00	.O-RING	1	
19	93210-12MG9-00	.O-RING	1	
20	93210-14515-00	.O-RING	1	
21	97313-06040-00	BOLT, HEXAGON	4	
22	92990-06600-00	WASHER, PLATE	4	

## Part Notes

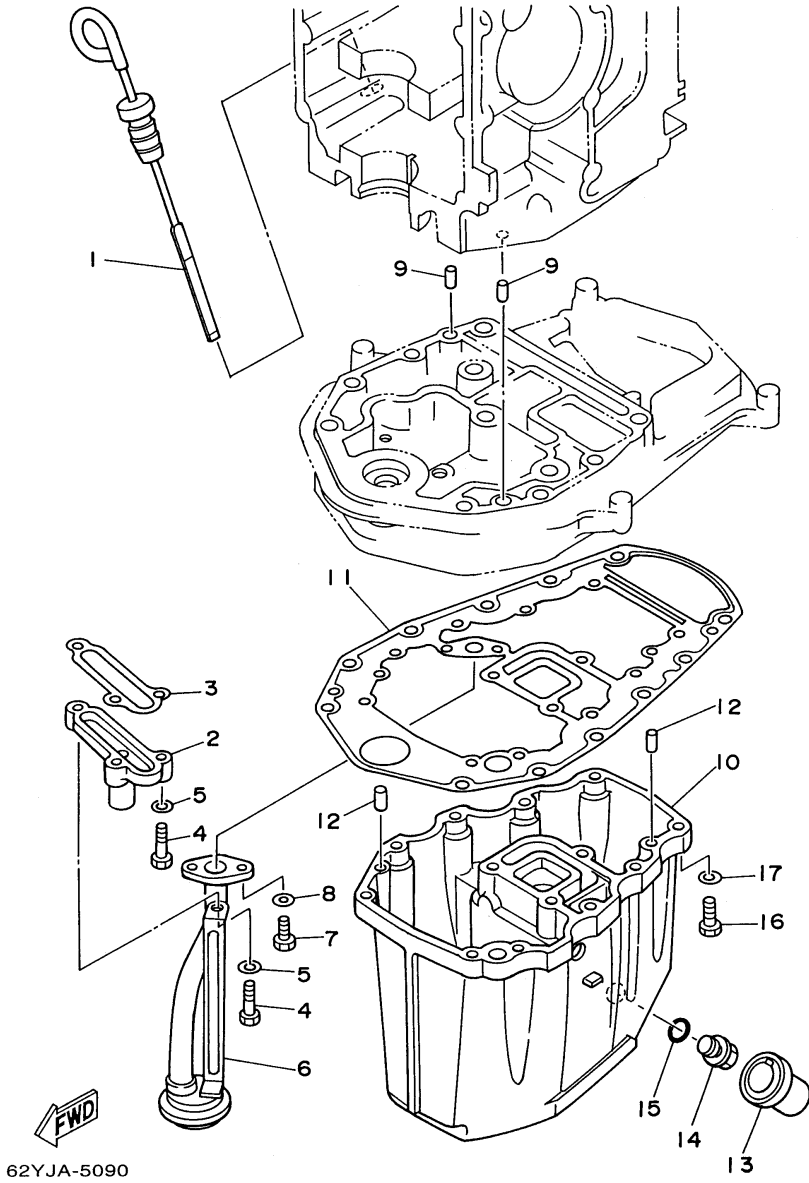
T50TLRU 1996 / OIL PUMP

PART NUMBER	NOTE TEXT
92990-06600-00 	OEM: This part number is among the Top 100 Most Popular Marine Maintenance Parts as of March 2014.

©2014 Yamaha Motor Corporation, U.S.A. All rights reserved.



T50TLRU 1996 / OIL PAN



©2014 Yamaha Motor Corporation, U.S.A. All rights reserved.




## Part List

T50TLRU 1996 / OIL PAN

REF - NO	PART NUMBER	PART NAME	QUANTITY	REMARKS
1	62Y-15362-00-00	PLUG, OIL LEVEL	1	
2	62Y-11575-00-00	RELIEF VALVE ASSY	1	
3	62Y-13475-00-00	.GASKET	1	
4	97013-06025-00	BOLT	3	
5	92990-06600-00	WASHER, PLATE	3	
6	62Y-13411-00-00	STRAINER, OIL	1	
7	97014-06016-00	BOLT	2	
8	92990-06600-00	WASHER, PLATE	2	
9	93608-12M05-00	PIN, DOWEL	2	
10	62Y-15311-00-5B	OIL PAN	1	
11	62Y-15312-00-00	GASKET, OIL PAN	1	
12	93606-12019-00	.PIN, DOWEL	4	
13	62Y-15316-00-00	DAMPER, ENGINE MOUNT 1	1	
14	62Y-13471-00-00	PLUG, DRAIN	1	
15	93210-14515-00	.O-RING	1	
16	97075-06025-00	BOLT	10	
17	92990-06600-00	WASHER, PLATE	10	

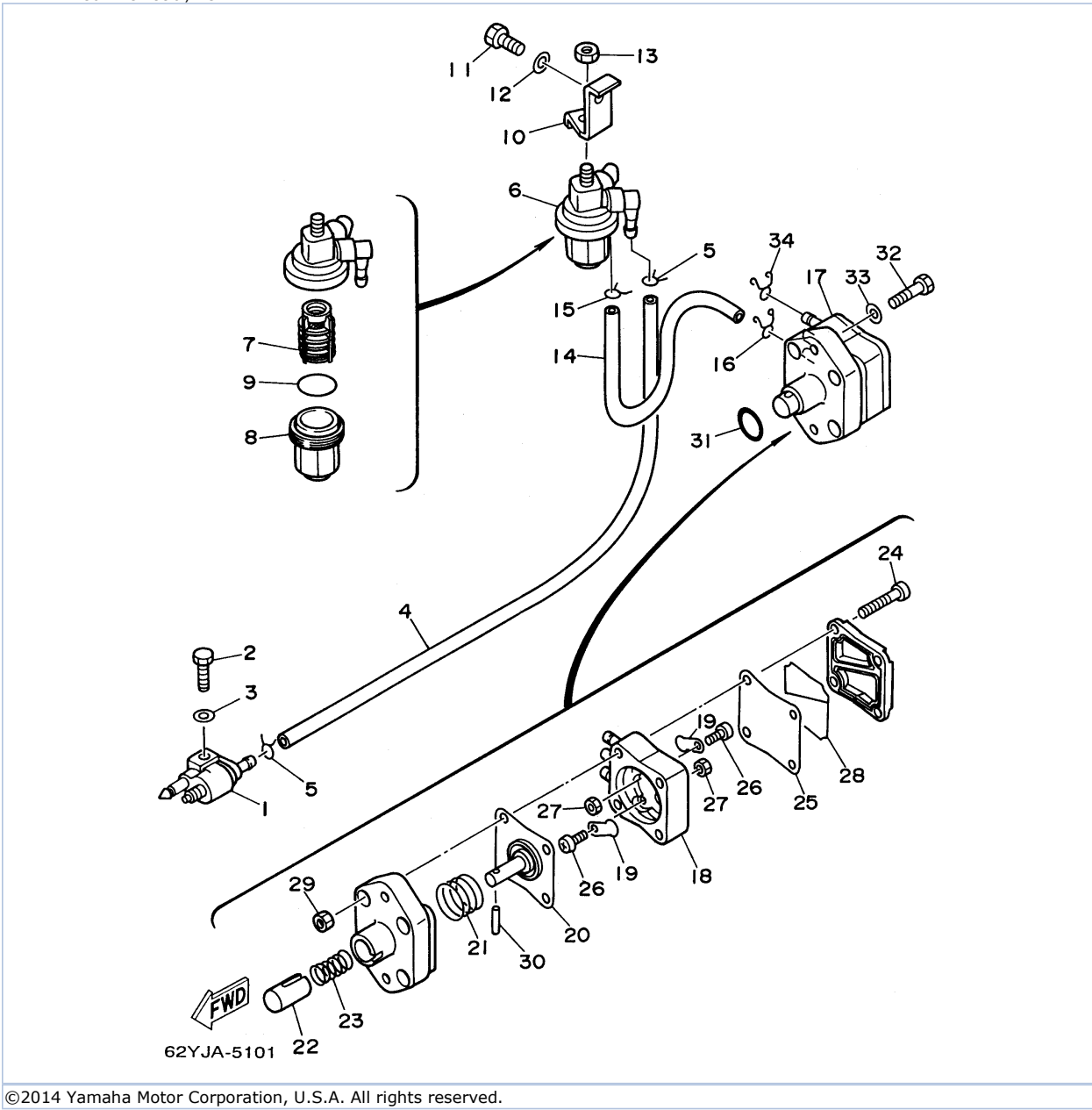
## Part Notes

T50TLRU 1996 / OIL PAN

PART NUMBER		NOTE TEXT
92990-06600-00		OEM: This part number is among the Top 100 Most Popular Marine Maintenance Parts as of March 2014.
92990-06600-00		OEM: This part number is among the Top 100 Most Popular Marine Maintenance Parts as of March 2014.
92990-06600-00		OEM: This part number is among the Top 100 Most Popular Marine Maintenance Parts as of March 2014.

©2014 Yamaha Motor Corporation, U.S.A. All rights reserved.

T50TLRU 1996 / FUEL



©2014 Yamaha Motor Corporation, U.S.A. All rights reserved.



## Part List

T50TLRU 1996 / FUEL

REF - NO	PART NUMBER	PART NAME	QUANTITY	REMARKS
1	6G1-24304-02-00	FUEL PIPE JOINT COMP. 1	1	
2	97095-06025-00	BOLT	1	
3	92990-06600-00	WASHER, PLATE	1	
4	90445-10M34-00	HOSE (L550)	1	
5	90467-09M03-00	CLIP	2	
6	61N-24560-00-00	FILTER ASSY	1	
7	61N-24563-00-00	.ELEMENT, FILTER	1	
8	61N-24521-00-00	.CUP, FILTER	1	
9	93210-32738-00	.O-RING	1	
10	62Y-24566-00-00	BRACKET, FILTER	1	
11	97095-08014-00	BOLT	1	
12	92990-08600-00	..WASHER, PLATE	1	
13	95380-08600-00	NUT	1	
14	90445-10M48-00	HOSE (L205)	1	
15	90467-09M03-00	CLIP	1	
16	90467-10M04-00	CLIP	1	
17	62Y-24410-00-00	FUEL PUMP ASSEMBLY	1	
18	62Y-24413-00-00	.BODY 2	1	
19	6A0-24421-01-00	.VALVE, CHECK	2	
20	62Y-24411-00-00	.DIAPHRAGM	1	
21	62Y-24423-00-00	.SPRING, DIAPHRAGM	1	
22	62Y-13131-00-00	.PLUNGER	1	
23	62Y-24454-00-00	.SPRING	1	
24	62Y-24444-00-00	.SCREW	4	
25	62Y-24471-00-00	.DIAPHRAGM	1	
26	6A0-14325-00-00	.SCREW, PAN HEAD	2	
27	95380-03600-00	.NUT	2	
28	62Y-24452-00-00	.PACKING	1	
29	95380-05600-00	.NUT	4	
30	62Y-24374-00-00	.PIN	1	
31	93210-25070-00	O-RING	1	
32	97095-06030-00	BOLT	2	
33	92990-06600-00	WASHER, PLATE	2	
34	90467-10M04-00	CLIP	1	

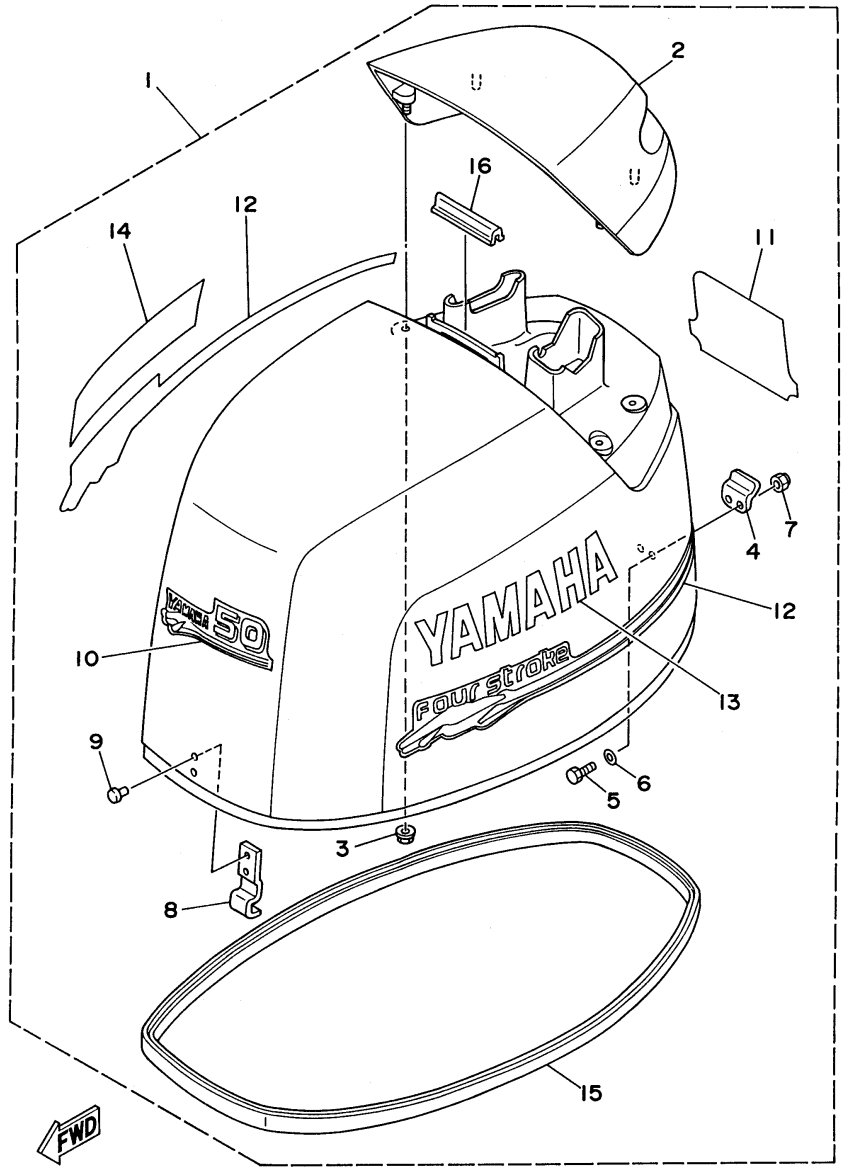
## Part Notes

T50TLRU 1996 / FUEL

PART NUMBER		NOTE TEXT
92990-06600-00		OEM: This part number is among the Top 100 Most Popular Marine Maintenance Parts as of March 2014.
92990-06600-00		OEM: This part number is among the Top 100 Most Popular Marine Maintenance Parts as of March 2014.

©2014 Yamaha Motor Corporation, U.S.A. All rights reserved.

T50TLRU 1996 / TOP COWLING



62YJA-5110

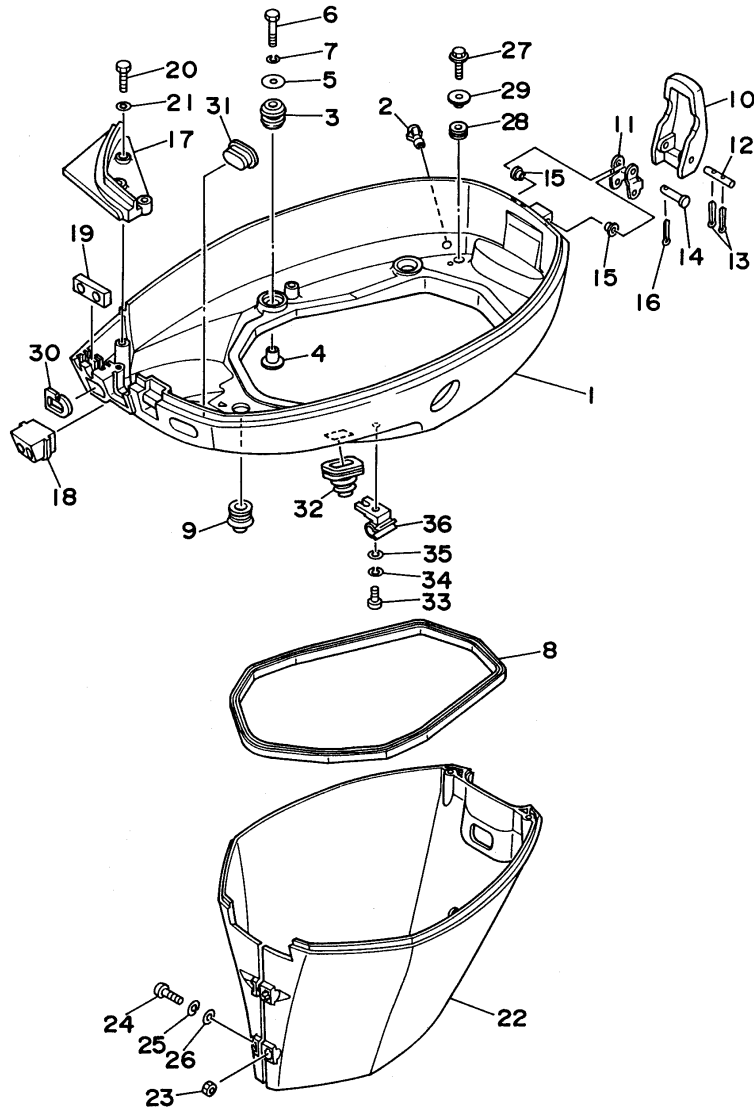
©2014 Yamaha Motor Corporation, U.S.A. All rights reserved.

## Part List

T50TLRU 1996 / TOP COWLING

REF - NO	PART NUMBER	PART NAME	QUANTITY	REMARKS
1	62Y-42610-00-4D	TOP COWLING ASSY	1	UR F50
1	64J-42610-00-4D	TOP COWLING ASSY	1	UR T50
2	62Y-42613-00-4D	.MOLDING, AIR DUCT	1	
3	90179-06M24-00	.NUT	4	
4	62Y-42652-00-00	.HOOK	1	
5	97095-05016-00	.BOLT	2	
6	92990-05600-00	.WASHER, PLATE	2	
7	95780-05300-00	.NUT, M5 X 08 NYLON LOCK	2	
8	62Y-42651-00-00	.HOOK	1	
9	90266-06M02-00	.RIVET	2	
10	62Y-42677-00-00	.GRAPHIC, FRONT	1	
11	64J-42678-00-00	.GRAPHIC, REAR	1	UR T50
11	62Y-42678-00-00	.GRAPHIC, REAR	1	UR F50
12	62Y-W0070-00-00	.GRAPHIC SET	1	
13	62Y-42681-00-00	.MARK, COWLING	1	
14	62Y-42682-00-00	.MARK, COWLING	1	
15	62Y-42615-00-00	.SEAL	1	
16	61N-42628-00-00	.SEAL	1	

T50TLRU 1996 / BOTTOM COWLING



62YUS-5120

©2014 Yamaha Motor Corporation, U.S.A. All rights reserved.




## Part List

T50TLRU 1996 / BOTTOM COWLING

REF - NO	PART NUMBER	PART NAME	QUANTITY	REMARKS
1	62Y-42711-10-4D	COWLING, BOTTOM	1	
2	6H3-44391-01-00	NIPPLE, HOSE	1	
3	90480-09M12-00	GROMMET	4	
4	90387-06M69-00	COLLAR	4	
5	90201-06416-00	WASHER, PLATE	4	
6	97095-06030-00	BOLT	4	
7	92995-06100-00	WASHER, SPRING	4	
8	62Y-42716-00-00	RUBBER, SEAL 1	1	
9	6E5-42724-00-00	GROMMET	1	
10	62Y-42828-00-4D	PLATE, CLAMP	1	
11	62Y-42815-00-00	LEVER, CLAMP	1	
12	90249-05M30-00	PIN	1	
13	91490-16010-00	PIN. COTTER	2	
14	90240-05M19-00	PIN, CLEVIS	1	
15	90386-05002-00	BUSH	2	
16	91490-16010-00	PIN. COTTER	1	
17	62Y-42738-00-5B	PLATE, FITTING	1	
18	62Y-42725-00-00	GROMMET	1	UR
18	62Y-42725-10-00	GROMMET	1	UR T.H/D
18	62Y-42725-30-00	GROMMET	1	UR T50
19	62Y-42727-00-00	GROMMET	1	
20	97095-06020-00	BOLT	3	
21	92990-06600-00	WASHER, PLATE	3	
22	62Y-42741-00-4D	APRON	1	
23	95380-06600-00	NUT, HEXAGON	2	
24	98580-06025-00	SCREW, PAN HEAD	2	
25	92995-06100-00	WASHER, SPRING	2	
26	92990-06600-00	WASHER, PLATE	2	
27	95895-06016-00	BOLT, FLANGE	2	
28	90480-13M24-00	GROMMET	2	
29	90387-06M40-00	COLLAR	2	
30	61N-24329-00-00	SEAL	1	
31	6H3-42727-00-00	GROMMET	1	
32	688-42726-10-00	GROMMET	1	
33	98580-06025-00	SCREW, PAN HEAD	1	
34	92995-06100-00	WASHER, SPRING	1	
35	92990-06600-00	WASHER, PLATE	1	
36	90464-09M43-00	CLAMP	1	

## Part Notes

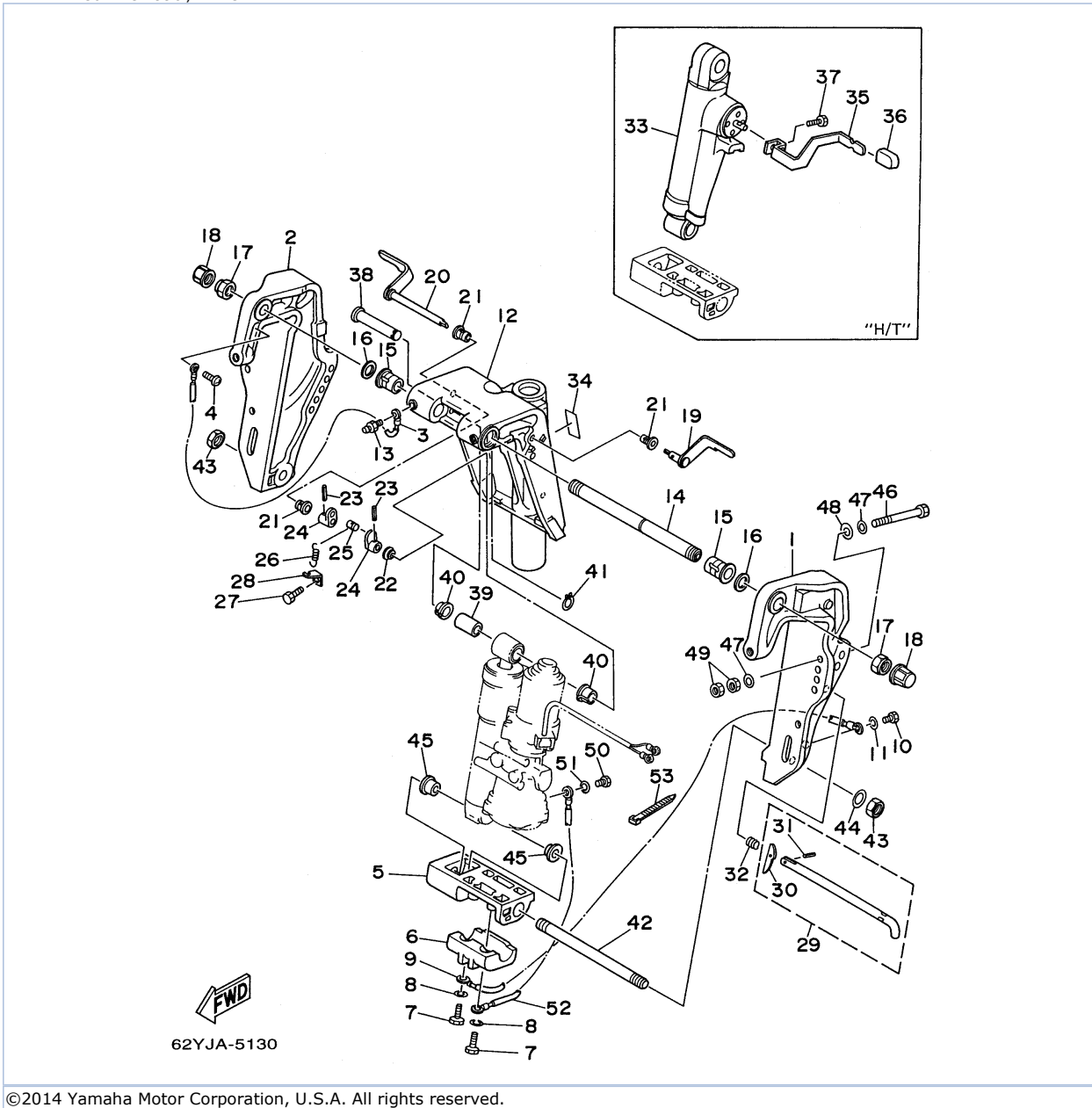
T50TLRU 1996 / BOTTOM COWLING

PART NUMBER	NOTE TEXT
92990-06600-00 	OEM: This part number is among the Top 100 Most Popular Marine Maintenance Parts as of March 2014.
92990-06600-00 	OEM: This part number is among the Top 100 Most Popular Marine Maintenance Parts as of March 2014.
92990-06600-00 	OEM: This part number is among the Top 100 Most Popular Marine Maintenance Parts as of March 2014.

©2014 Yamaha Motor Corporation, U.S.A. All rights reserved.



T50TLRU 1996 / BRACKET 1





## Part List

T50TLRU 1996 / BRACKET 1

REF - NO	PART NUMBER	PART NAME	QUANTITY	REMARKS
1	63D-43111-00-4D	BRACKET, CLAMP	1	
2	63D-43112-00-4D	BRACKET, CLAMP	1	
3	63D-82148-00-00	WIRE, LEAD 4	1	
4	97885-06008-00	SCREW, PAN HEAD	1	
5	63D-43128-01-4D	SPACER, CLAMP BRACKET	1	
6	63D-45251-00-00	ANODE	1	
7	97095-06025-00	BOLT	2	
8	92995-06100-00	WASHER, SPRING	2	
9	6H1-82148-00-00	WIRE, LEAD 4	1	
10	97095-06010-00	BOLT	1	
11	92990-06600-00	WASHER, PLATE	1	
12	63D-43311-10-4D	BRACKET, SWIVEL	1	
13	93700-06M03-00	NIPPLE, GREASE	3	
14	63D-43131-00-00	BOLT, CLAMP BRACKET	1	
15	90386-22M15-00	BUSH	2	
16	90201-22M03-00	WASHER, PLATE	2	
17	90185-22M11-00	NUT, SELF-LOCKING	2	
18	6G5-43145-00-00	CAP, CLAMP BRACKET	2	
19	6H5-43181-03-00	LEVER, TILT STOP	1	
20	6H5-43185-03-00	LEVER, TILT STOP	1	
21	90386-10M16-00	BUSH	3	
22	90386-10025-00	.BUSH	1	
23	91690-30020-00	PIN, SPRING	2	
24	6G5-43148-00-00	COLLAR, DISTANCE	2	
25	90249-06M19-00	PIN	1	
26	90506-14M24-00	SPRING, TENSION	1	
27	97095-06010-00	BOLT	1	
28	6G5-43144-00-00	HOOK, SPRING	1	
29	688-43160-01-00	TILT ROD ASSY	1	
30	688-43165-00-00	.PLATE, TILT LOCK	1	
31	91690-30012-00	.PIN, SPRING	1	
32	90502-16M02-00	SPRING, CONICAL	1	
33	62Y-43170-00-4D	SHOCK ABSORBER ASSEMBLY	1	H/T
34	63D-43691-00-00	INDICATOR, TILT	1	H/T
35	63D-43631-00-00	LEVER, TILT	1	H/T
36	682-43318-01-00	COVER	1	H/T
37	97095-06010-00	BOLT	1	H/T
38	6E5-43126-02-00	PIN, UPPER SHOCK MOUNT	1	
39	90386-18M92-00	BUSH	1	
40	90386-18M35-00	BUSH	2	
41	93410-18M02-00	CIRCLIP	1	
42	90116-18M52-00	BOLT, STUD	1	
43	90170-18M10-00	NUT	2	
44	92995-18600-00	WASHER	1	
45	90386-18M44-00	BUSH	2	
46	90101-12M65-00	BOLT	4	AP
47	92995-12200-00	WASHER	8	AP
48	90201-12426-00	WASHER, PLATE	4	AP
49	95380-12600-00	NUT	8	AP
50	97095-06010-00	BOLT	1	PTT
51	92990-06600-00	WASHER, PLATE	1	PTT
52	6H1-82148-00-00	WIRE, LEAD 4	1	PTT
53	90465-11M10-00	CLAMP	4	PTT

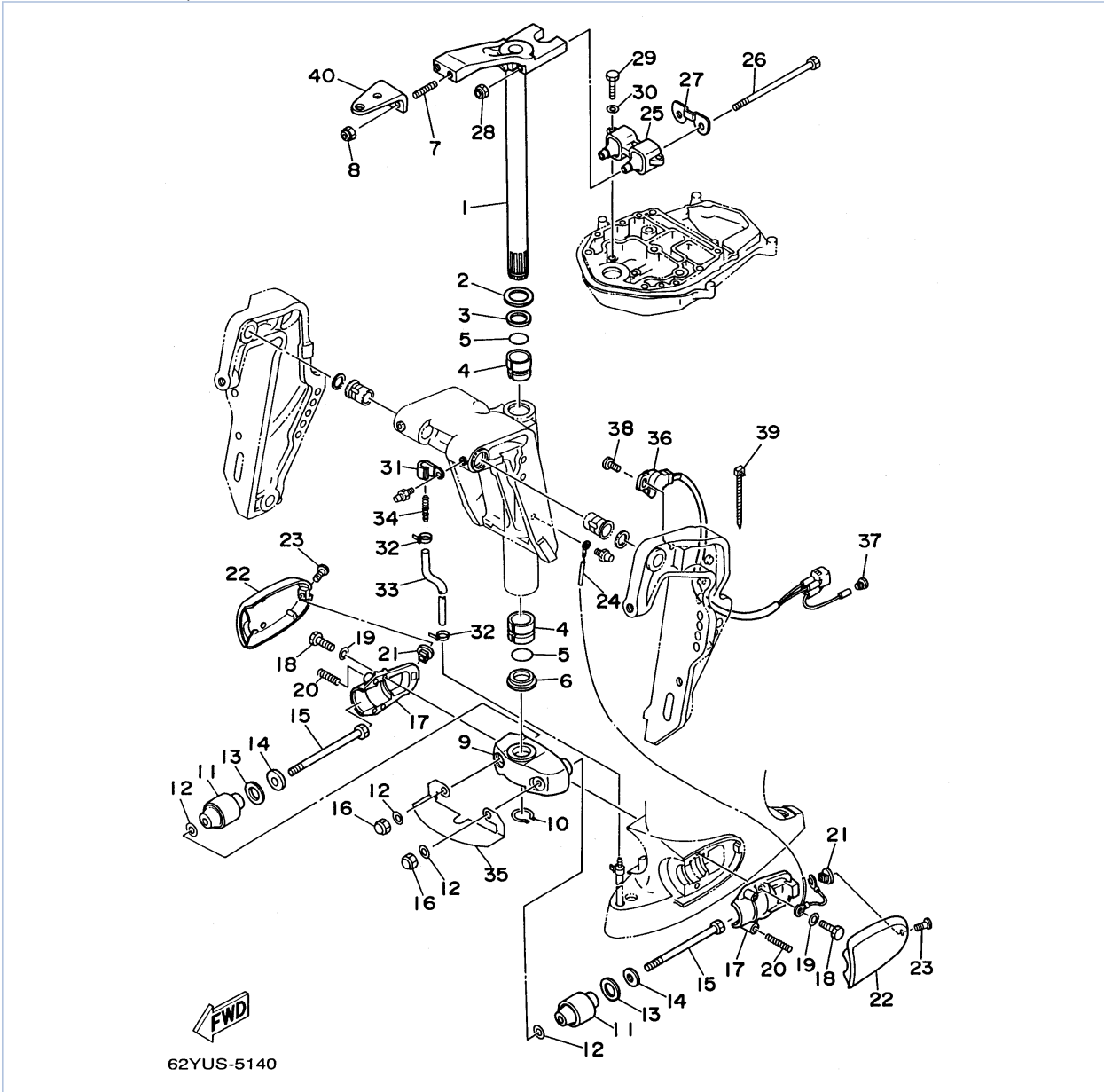
## Part Notes

T50TLRU 1996 / BRACKET 1

PART NUMBER		NOTE TEXT
92990-06600-00		OEM: This part number is among the Top 100 Most Popular Marine Maintenance Parts as of March 2014.
92990-06600-00		OEM: This part number is among the Top 100 Most Popular Marine Maintenance Parts as of March 2014.

©2014 Yamaha Motor Corporation, U.S.A. All rights reserved.

T50TLRU 1996 / BRACKET 2



62YUS-5140

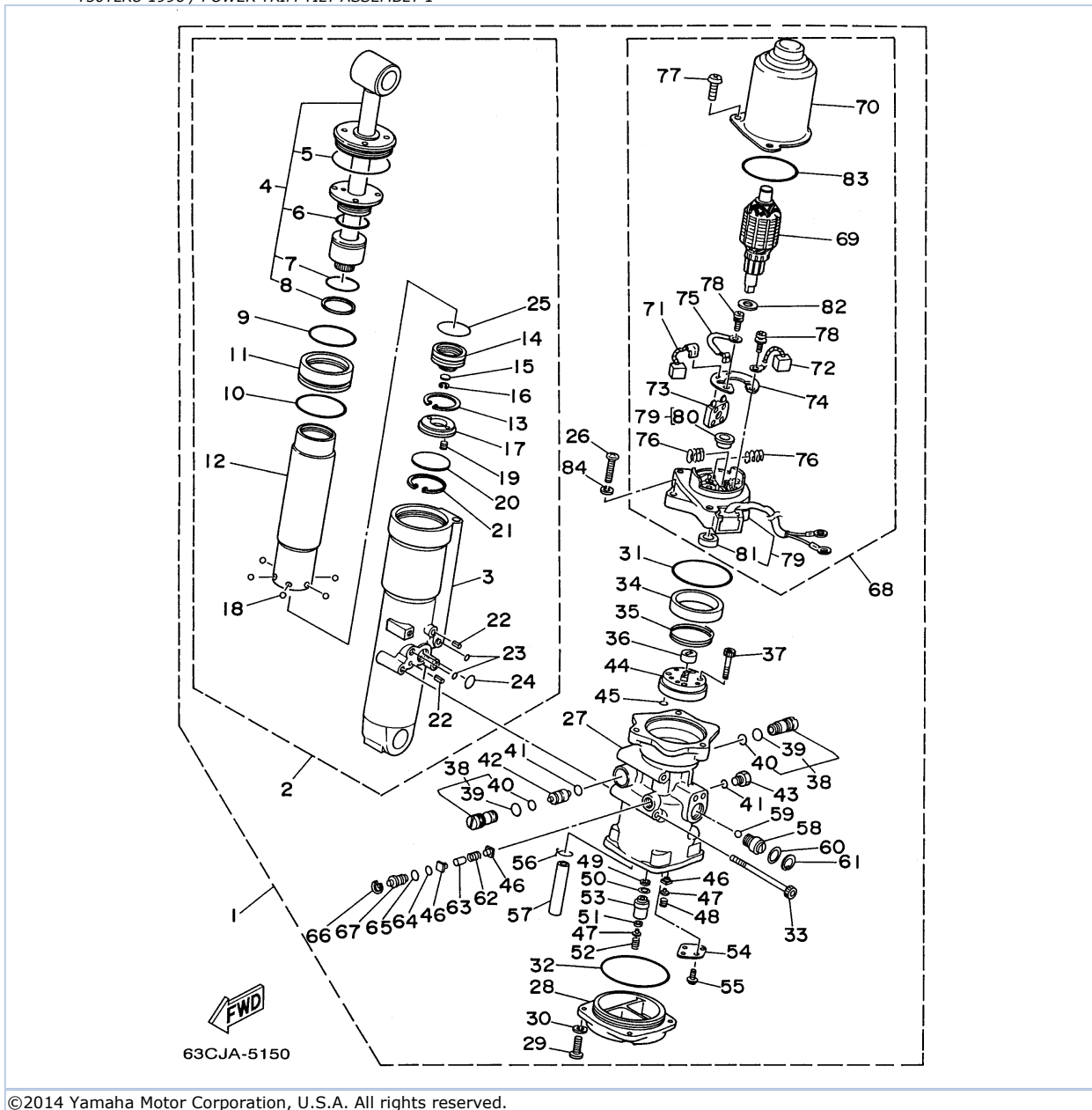
©2014 Yamaha Motor Corporation, U.S.A. All rights reserved.

## Part List

T50TLRU 1996 / BRACKET 2

REF - NO	PART NUMBER	PART NAME	QUANTITY	REMARKS
1	63D-42510-10-4D	STEERING BRACKET ASSEMBLY	1	
2	90201-30M00-00	WASHER, PLATE	1	
3	90386-30M78-00	BUSH	1	
4	90386-30M77-00	BUSH	2	
5	93210-29M94-00	O-RING	2	
6	90386-30M60-00	BUSH	1	
7	90116-10175-00	BOLT, STUD	2	
8	90185-10051-00	NUT, SELF-LOCKING	2	
9	663-44551-02-4D	HOUSING, LOWER MOUNT RUBBER	1	
10	93410-28M06-00	CIRCLIP	1	
11	679-44555-00-94	MOUNT DAMPER, LOWER SIDE	2	
12	90201-12M16-00	WASHER, PLATE	4	
13	90202-21100-00	WASHER, PLATE	2	
14	90201-13M19-00	WASHER, PLATE	2	
15	90109-12261-00	BOLT	2	
16	95380-12800-00	NUT, CROWN	2	
17	663-44552-00-94	HOUSING, LOWER MOUNT RUBBER	2	
18	97075-08025-00	BOLT	4	
19	92995-08100-00	WASHER	4	
20	90501-14M08-00	SPRING, COMPRESSION	4	
21	90179-06066-00	NUT	2	
22	62Y-44553-00-4D	COVER, LOWER MOUNT	2	
23	97885-06016-00	SCREW, PAN HEAD	2	
24	697-82127-01-00	WIRE, LEAD 2	1	
25	62Y-44514-00-4D	MOUNT DAMPER, UPPER SIDE	1	UR F50
25	62Y-44514-20-4D	MOUNT DAMPER, UPPER SIDE	1	UR T50
26	90101-08M15-00	BOLT	2	
27	63D-44526-00-00	PLATE	1	
28	90185-08045-00	NUT, SELF-LOCKING	2	
29	97075-08030-00	BOLT	3	
30	92995-08100-00	WASHER	3	
31	90465-08028-00	CLAMP	1	
32	90465-11M10-00	CLAMP	2	
33	90445-07MF1-00	HOSE (L570)	1	
34	6E5-83558-00-00	END, NIPPLE	1	
35	64J-45158-00-4D	PLATE, SPLASH	1	UR T50
36	63D-83672-00-00	TRIM SENDER	1	UR PTT
37	703-82119-00-00	COVER, LEAD WIRE	1	UR PTT
38	97885-06016-00	SCREW, PAN HEAD	2	UR PTT
39	90465-13M11-00	CLAMP	1	UR PTT
40	63D-48511-00-4D	HOOK, STEERING	1	

T50TLRU 1996 / POWER TRIM TILT ASSEMBLY 1



## Part List

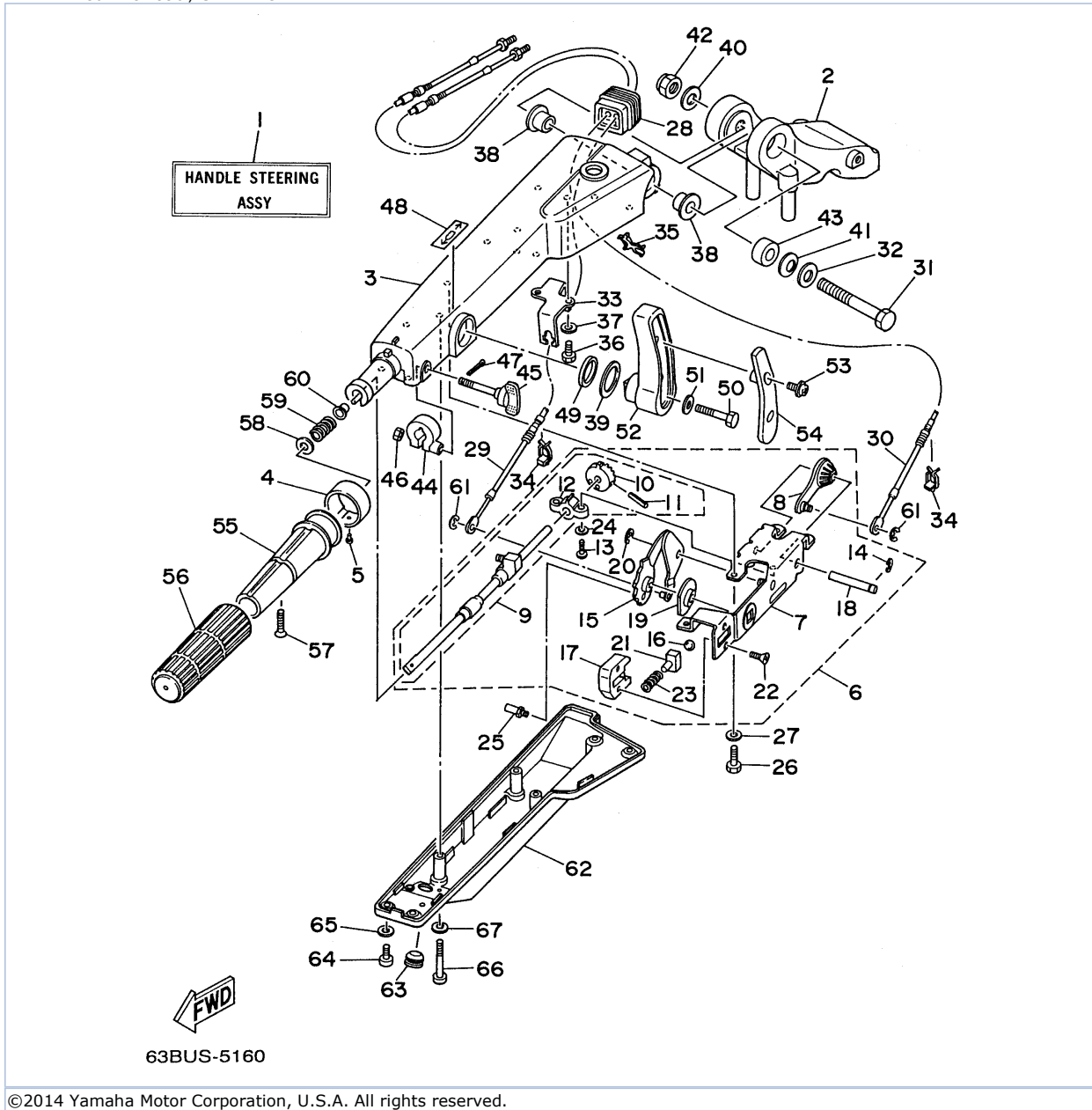
T50TLRU 1996 / POWER TRIM TILT ASSEMBLY 1

REF - NO	PART NUMBER	PART NAME	QUANTITY	REMARKS
1	62X-43800-00-4D	POWER TRIM & TILT ASSEMBLY	1	
2	62X-43840-00-00	..POWER TILT ASSEMBLY	1	
3	62X-4380K-00-00	..SPRING, BRUSH	1	
4	62X-43810-00-00	..PISTON SUB ASSEMBLY	1	
5	62X-43861-00-00	..O-RING	1	
6	62X-43862-00-00	..O-RING	1	
7	93210-29375-00	..O-RING	1	
8	62X-43871-00-00	..RING, BACK UP	1	
9	93210-44383-00	..O-RING	1	
10	93210-48214-00	..O-RING	1	
11	62X-4388A-00-00	..PISTON, TRIM	1	
12	62X-22471-00-00	..CYLINDER, SHOCK ABSORBER	1	
13	99009-35500-00	..CIRCLIP	1	
14	62X-43814-00-00	..PISTON, FREE	1	
15	6H1-4384G-11-00	..SEAL, RELIEF VALVE	1	
16	61A-43875-00-00	..RING, SNAP	1	
17	62X-43899-00-00	..PLATE STOPPER	1	
18	93503-16010-00	..BALL 3-16	6	
19	62X-4384H-00-00	..SPRING	2	
20	1UF-22434-00-00	..PLATE, VALVE 1	1	
21	62X-43875-00-00	..RING, SNAP	1	
22	91690-40010-00	..PIN, SPRING	2	
23	93210-06519-00	..O-RING	2	
24	62X-43864-00-00	..O-RING	1	
25	93210-29375-00	..O-RING	1	
26	97885-05020-00	..SCREW, PAN HEAD	3	
27	62X-4380L-00-00	..HOUSING, TRIM & TILT SUB ASSY	1	
28	62X-4385M-00-00	..PLATE, RESERVOIR	1	
29	97095-06016-00	..BOLT	4	
30	92995-06100-00	..WASHER, SPRING	4	
31	62X-43865-00-00	..O-RING	1	
32	62X-43866-00-00	..O-RING	1	
33	62X-43878-00-00	..BOLT, SOCKET	3	
34	6H1-43817-01-00	..FILTER 2	1	
35	6H1-4385H-00-00	..SPRING, SEAL	1	
36	6H1-43831-10-00	..CONNECTOR, SHAFT	1	
37	91318-04025-00	..BOLT	4	
38	6T4-43802-01-00	..VALVE SUB ASSEMBLY	2	
39	6H1-43866-00-00	..O-RING	1	
40	6H1-43867-00-00	..O-RING	1	
41	93210-09350-00	..O-RING	2	
42	62X-43841-00-00	..PISTON, SHUTTLE	1	
43	6H1-43829-00-00	..PLUG, RESERVOIR	1	
44	62X-43830-00-00	..GEAR PUMP ASSY	1	
45	93210-06519-00	..O-RING	2	
46	6H1-4384F-10-00	..SEAL, MAIN VALVE	3	
47	6H1-43844-10-00	..PIN, VALVE SUPPORT	2	
48	6H1-43856-10-00	..SPRING, DOWN RELIEF	1	
49	6H1-43816-00-00	..FILTER 1	1	
50	6H1-43896-00-00	..O-RING	1	
51	6H1-4384G-11-00	..SEAL, RELIEF VALVE	1	
52	6H1-43855-11-00	..SPRING, UP RELIEF	1	

53	6H1-43895-11-00	.SEAT, RELIEF VALVE	1	
54	62X-4382L-00-00	.CAP, RELIEF VALVE	1	
55	97607-05210-00	.SCREW, WITH WASHER	2	
56	90647-11032-00	.CLIP	1	
57	62X-4383A-00-00	.HOSE	1	
58	62X-43860-00-00	.MANUAL VALVE SUB-ASSY	1	
59	93505-32038-00	.BALL	1	
60	93210-18322-00	.O-RING	1	
61	6H1-43875-00-00	.RING, SNAP	1	
62	61A-4385H-00-00	.SPRING, SEAL	1	
63	93605-10108-00	.PIN, DOWEL	1	
64	93210-06632-00	.O-RING	1	
65	93210-07540-00	.O-RING	1	
66	6T4-43876-00-00	.RING, SNAP	1	
67	6T4-43849-00-00	.PIN, VALVE SUPPORT	1	
68	62X-43880-00-00	.MOTOR ASSEMBLY	1	
69	62X-43805-00-00	..ARMATURE ASSY	1	
70	62X-43804-00-00	..STATOR ASSEMBLY	1	
71	62X-43891-00-00	..BRUSH 1	1	
72	62X-43892-00-00	..BRUSH 2	1	
73	62X-82181-00-00	..CIRCUIT BREAKER COMP	1	
74	62X-4380F-00-00	..PLATE, BRUSH HOLDER	1	
75	62X-43807-00-00	..WIRE SUB ASSY	1	
76	62X-4386K-00-00	..SPRING, BRUSH	2	
77	97880-05020-00	..SCREW, PAN HEAD	3	
78	97607-04112-00	..SCREW, PAN HEAD WITH WASHER	2	
79	62X-43881-00-00	..FRAME, END	1	
80	62X-4380H-00-00	..METAL	1	
81	93102-08414-00	..OIL SEAL	1	
82	90201-083J8-00	..WASHER, PLATE	1	
83	93210-52449-00	..O-RING	1	
84	92990-05100-00	.WASHER, SPRING	3	



T50TLRU 1996 / STEERING



## Part List






T50TLRU 1996 / STEERING

REF - NO	PART NUMBER	PART NAME	QUANTITY	REMARKS
1	62Y-W0084-00-4D	HANDLE STEERING ASSEMBLY (REF. NO. 2~24, 26~61)	1	
2	63D-42121-00-4D	BRACKET	1	
3	63D-42111-00-4D	HANDLE, STEERING	1	
4	6H2-42137-00-00	INDICATOR, THROTTLE	1	
5	90269-02M09-00	RIVET	1	
6	63D-44100-10-00	SHIFT LINK ASSY	1	
7	63D-44104-00-00	.PLATE COMP	1	
8	63D-48261-00-00	.ARM, THROTTLE	1	
9	63D-42115-00-00	.SHAFT, STEERING HANDLE	1	
10	650-42152-00-94	..GEAR	1	
11	91690-30025-00	..PIN, SPRING	1	
12	63D-42159-00-00	..STAY	1	
13	98580-06016-00	.SCREW, PAN HEAD	2	
14	99001-08600-00	.CIRCLIP	1	
15	63D-44113-00-00	.CAM PLATE, HANDLE	1	
16	63D-48236-00-00	.ROLLER, DETENT	1	
17	63D-48119-00-00	.COVER	1	
18	63D-42153-00-00	.SHAFT, THROTTLE CONTROL	1	
19	63D-44132-00-00	.BUSHING	1	
20	63D-48118-00-00	.CLIP, SHIFT LEVER	1	
21	63D-48237-00-00	.ADAPTER	1	
22	98780-05014-00	.SCREW, FLAT HEAD	2	
23	63D-48238-00-00	.SPRING, DETENT	1	
24	63D-42181-00-00	.WASHER	2	
25	63D-44114-00-00	STOPPER	1	
26	97095-06016-00	BOLT	4	
27	92990-06600-00	WASHER, PLATE	4	
28	63D-42725-00-00	GROMMET	1	
29	62Y-48321-00-00	CABLE	1	
30	62Y-26301-00-00	THROTTLE CABLE ASSEMBLY	1	
31	90101-12M09-00	BOLT	1	
32	92990-12200-00	WASHER, PLAIN	1	
33	63D-48531-00-00	BRACKET, REMOTE CONTROL	1	
34	63D-48538-00-00	CLAMP, CABLE 1	2	
35	90464-09M42-00	CLAMP	1	
36	97095-06016-00	BOLT	2	
37	92990-06600-00	WASHER, PLATE	2	
38	90386-12M93-00	BUSH	2	
39	90386-29M95-00	BUSH	1	
40	92990-12600-00	WASHER, PLATE	1	
41	90206-12M21-00	WASHER, WAVE	1	
42	90185-12058-00	NUT, SELF-LOCKING	1	
43	90387-12M02-00	COLLAR	1	
44	63D-42126-00-00	FRICITION, STEERING HANDLE GRIP	1	
45	63D-48154-00-00	KNOB, THROTTLE	1	
46	95380-06600-00	NUT, HEXAGON	1	
47	91490-20015-00	PIN. COTTER	1	
48	6G8-44191-00-00	INDICATOR, SHIFT	1	
49	90202-24M53-00	WASHER, PLATE	1	
50	97395-08040-00	BOLT	1	
51	92990-08600-00	..WASHER, PLATE	1	
52	63D-44159-00-4D	HANDLE, GEAR SHIFT	1	

53	90159-06M18-00	SCREW, WITH WASHER	2	
54	63D-44173-00-00	LEVER, SHIFT CONTROL	1	
55	664-42119-00-00	GRIP, STEERING HANDLE	1	
56	6G1-42177-00-00	RUBBER, HANDLE	1	
57	90149-05M13-00	SCREW	1	
58	92990-10600-00	WASHER, PLATE	1	
59	90501-23215-00	SPRING, COMPRESSION	1	
60	90386-08032-00	BUSH	1	
61	93430-04M03-00	CIRCLIP	2	
62	63D-42131-00-00	COVER, HANDLE STEERING	1	
63	90480-14M14-00	GROMMET	1	
64	97885-06016-00	SCREW, PAN HEAD	4	
65	92990-06600-00	WASHER, PLATE	4	
66	97885-06040-00	SCREW, PAN HEAD	3	
67	92990-06600-00	WASHER, PLATE	3	

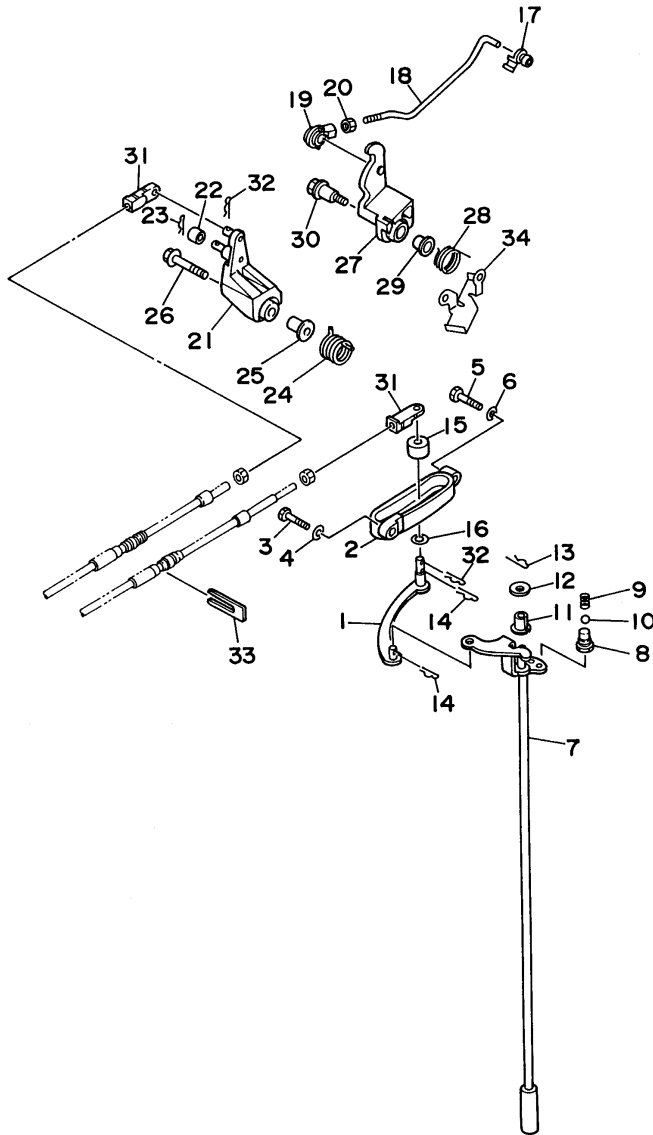
## Part Notes

T50TLRU 1996 / STEERING

PART NUMBER		NOTE TEXT
92990-06600-00		OEM: This part number is among the Top 100 Most Popular Marine Maintenance Parts as of March 2014.
92990-06600-00		OEM: This part number is among the Top 100 Most Popular Marine Maintenance Parts as of March 2014.
92990-10600-00		OEM: This part number is among the Top 100 Most Popular Marine Maintenance Parts as of March 2014.
92990-06600-00		OEM: This part number is among the Top 100 Most Popular Marine Maintenance Parts as of March 2014.
92990-06600-00		OEM: This part number is among the Top 100 Most Popular Marine Maintenance Parts as of March 2014.

©2014 Yamaha Motor Corporation, U.S.A. All rights reserved.

T50TLRU 1996 / CONTROL



62YJA-5171

©2014 Yamaha Motor Corporation, U.S.A. All rights reserved.






## Part List

T50TLRU 1996 / CONTROL

REF - NO	PART NUMBER	PART NAME	QUANTITY	REMARKS
1	62Y-44121-00-00	LEVER, SHIFT ROD	1	
2	62Y-44117-00-4D	BRACKET	1	
3	97095-06020-00	BOLT	1	
4	92990-06600-00	WASHER, PLATE	1	
5	97095-06025-00	BOLT	1	
6	92990-06600-00	WASHER, PLATE	1	
7	62Y-44120-00-00	HANDLE GEAR SHIFT ASSEMBLY	1	
8	62Y-42715-00-00	BUSHING	1	
9	90501-12M00-00	SPRING, COMPRESSION	1	
10	93505-16024-00	BALL	1	
11	90386-07M58-00	BUSH	1	
12	92990-08200-00	WASHER, PLAIN	1	
13	90468-07M06-00	CLIP	1	
14	90468-18008-00	CLIP	2	
15	688-44122-00-00	BUSHING, SHIFT ROD LEVER	1	
16	90202-07M07-00	WASHER, PLATE	1	
17	6F5-41237-00-00	JOINT, LINK	1	
18	62Y-41241-00-00	ROD, LINK	1	
19	6H1-41237-00-00	JOINT, LINK	1	
20	95380-05700-00	NUT	1	
21	62Y-42154-00-00	LEVER, THROTTLE CONTROL	1	
22	62Y-42171-00-00	BUSHING	1	
23	91490-16010-00	PIN. COTTER	1	
24	62Y-44135-00-00	SPRING	1	
25	90387-06M45-00	COLLAR	1	
26	95895-06030-00	BOLT, FLANGE	1	
27	62Y-42335-00-00	LEVER, ACCEL. CONTROL	1	
28	62Y-44116-01-00	SPRING	1	
29	90386-10009-00	.BUSH	1	
30	90109-06M30-00	BOLT	1	
31	6G8-26363-00-00	.END, WIRE 1	2	
32	90468-18008-00	CLIP	2	
33	6H3-48538-00-00	.CLAMP, CABLE 1	1	
34	62Y-42159-00-00	STAY	1	

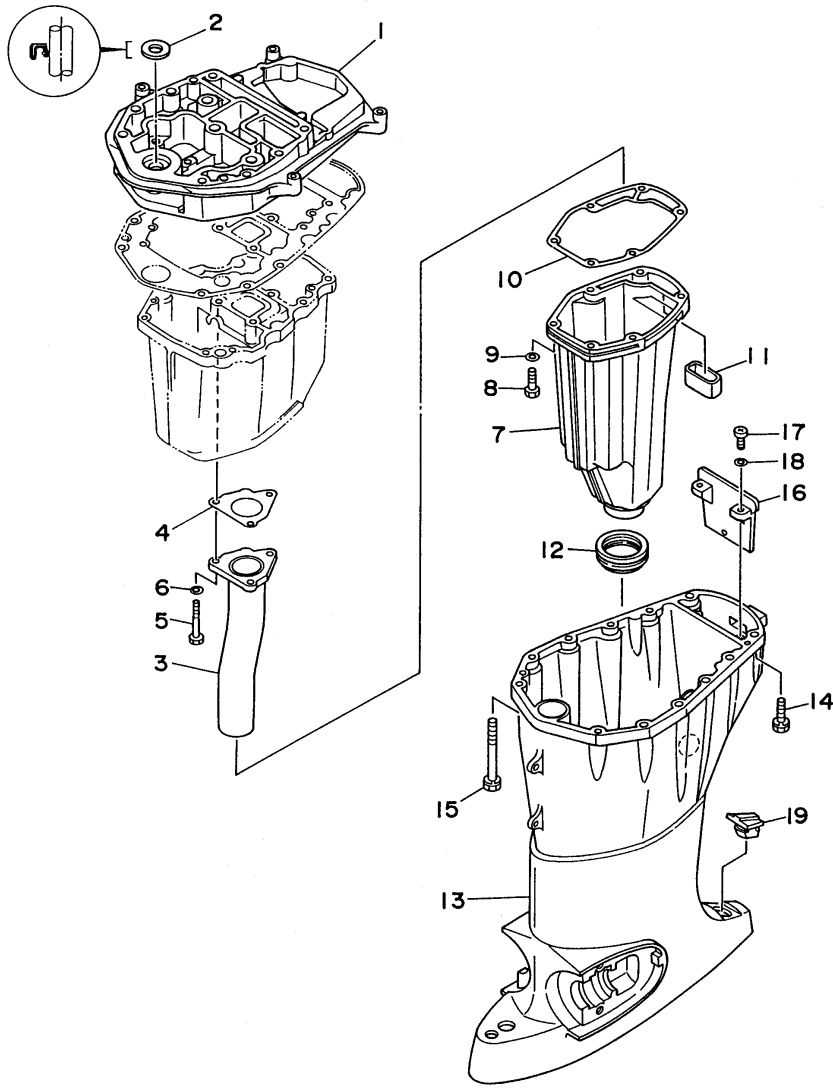
## Part Notes

T50TLRU 1996 / CONTROL

PART NUMBER	NOTE TEXT
92990-06600-00 	OEM: This part number is among the Top 100 Most Popular Marine Maintenance Parts as of March 2014.
92990-06600-00 	OEM: This part number is among the Top 100 Most Popular Marine Maintenance Parts as of March 2014.
90468-18008-00 	OEM: This part number is among the Top 100 Most Popular Marine Maintenance Parts as of March 2014.
6H1-41237-00-00 	OEM: This part number is among the Top 100 Most Popular Marine Maintenance Parts as of March 2014.
90468-18008-00 	OEM: This part number is among the Top 100 Most Popular Marine Maintenance Parts as of March 2014.

©2014 Yamaha Motor Corporation, U.S.A. All rights reserved.

T50TLRU 1996 / UPPER CASING



  
62YJA-5180

©2014 Yamaha Motor Corporation, U.S.A. All rights reserved.



## Part List

T50TLRU 1996 / UPPER CASING

REF - NO	PART NUMBER	PART NAME	QUANTITY	REMARKS
1	62Y-41137-00-94	GUIDE, EXHAUST	1	
2	93101-16M36-00	OIL SEAL	1	
3	62Y-41131-00-00	MANIFOLD, EXT. 1	1	
4	62Y-41133-00-00	GASKET, EXHAUST MANIFOLD 1	1	
5	97075-06045-00	BOLT	3	
6	92990-06600-00	WASHER, PLATE	3	
7	62Y-14711-00-5B	MUFFLER 1	1	
8	97075-06025-00	BOLT	6	
9	92990-06600-00	WASHER, PLATE	6	
10	62Y-41134-00-00	GASKET, EXHAUST MANIFOLD	1	
11	62Y-45127-00-00	.SEAL	1	
12	663-45123-00-00	GASKET, MUFFLER	1	
13	62Y-45111-00-4D	CASING, UPPER	1	
14	90119-08M79-00	BOLT, WITH WASHER	4	
15	90119-08M82-00	BOLT, WITH WASHER	8	
16	62Y-45151-00-00	COVER, UPPER CASING	1	
17	98580-05016-00	SCREW, PAN HEAD	2	
18	92990-05600-00	WASHER, PLATE	2	
19	6H3-45155-00-00	CAP	1	

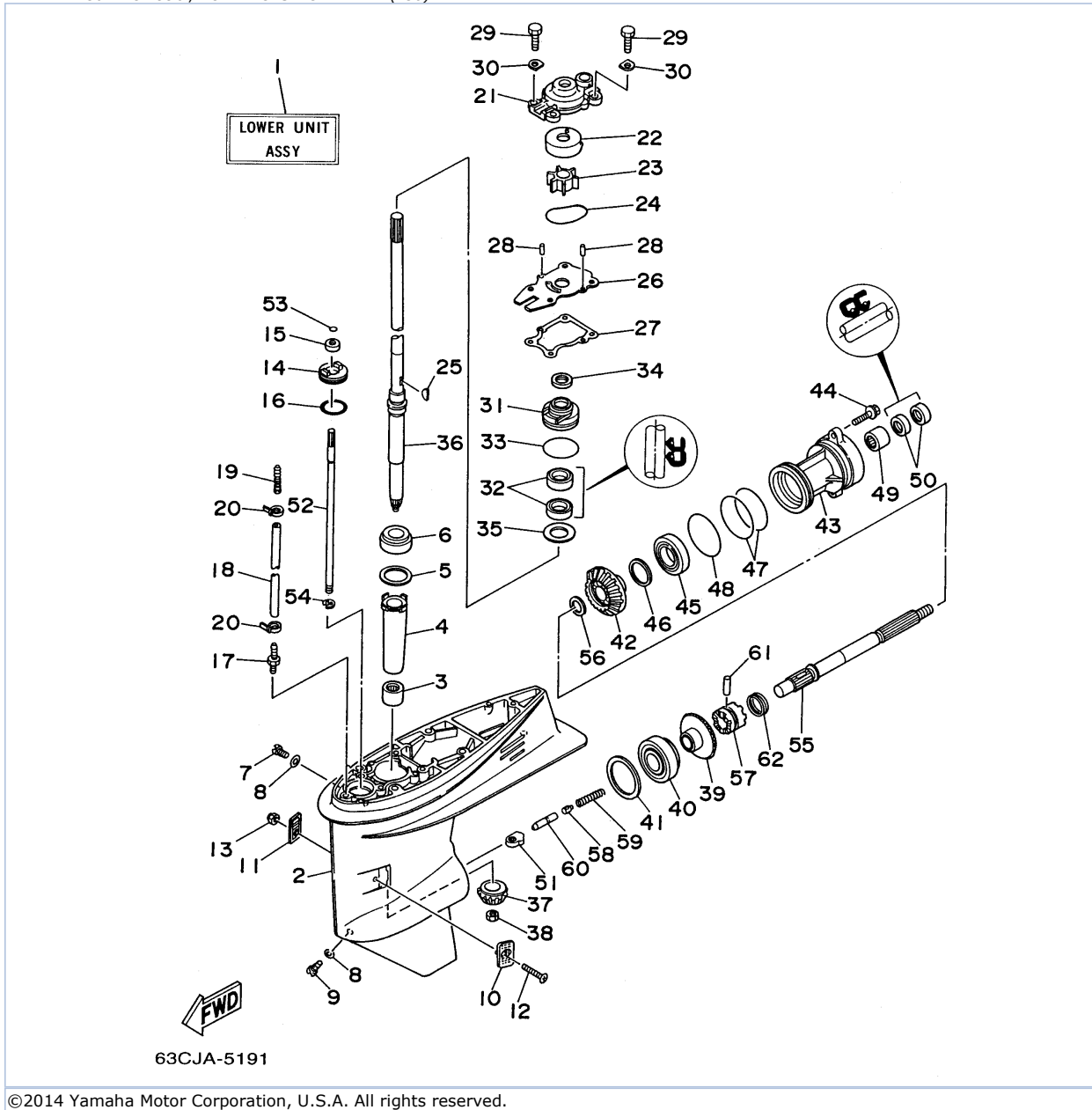
## Part Notes

T50TLRU 1996 / UPPER CASING

PART NUMBER		NOTE TEXT
92990-06600-00		OEM: This part number is among the Top 100 Most Popular Marine Maintenance Parts as of March 2014.
92990-06600-00		OEM: This part number is among the Top 100 Most Popular Marine Maintenance Parts as of March 2014.

©2014 Yamaha Motor Corporation, U.S.A. All rights reserved.

T50TLRU 1996 / LOWER CASING DRIVE 1 (F50)





## Part List




T50TLRU 1996 / LOWER CASING DRIVE 1 (F50)

REF - NO	PART NUMBER	PART NAME	QUANTITY	REMARKS
1	62Y-45300-10-4D	LOWER UNIT ASSEMBLY	1	
2	63D-45301-01-4D	CASING, LOWER	1	
3	93315-32224-00	BEARING	1	
4	6H4-45536-00-00	SLEEVE, DRIVE SHAFT	1	
5	663-45587-01-12	SHIM (T:0.12MM)	1	UR
5	663-45587-01-10	SHIM (T:0.10MM)	1	UR
5	663-45587-01-15	SHIM (T:0.15MM)	1	UR
5	663-45587-01-50	SHIM (T:0.50MM)	1	UR
5	663-45587-01-40	SHIM (T:0.40MM)	1	UR
5	663-45587-01-18	SHIM (T:0.18MM)	1	UR
5	663-45587-01-30	SHIM (T:0.30MM)	1	UR
6	93332-00079-00	BEARING	1	
7	90340-08M04-00	PLUG, STRAIGHT SCREW	1	
8	90430-08020-00	.GASKET	2	
9	688-45341-00-00	PLUG, DRAIN	1	
10	63D-45214-00-00	COVER, WATER INLET 1	1	
11	63D-45215-00-00	COVER, WATER INLET 2	1	
12	90142-05M06-00	SCREW, COUNTERSUNK	1	
13	95380-05600-00	NUT	1	
14	63D-45321-00-00	PLATE	1	
15	93106-09014-00	.OIL SEAL	1	
16	93210-33MG4-00	.O-RING	1	
17	6E5-45378-00-00	NIPPLE, HOSE	1	
18	90445-07M31-00	HOSE (L200)	1	
19	6E5-83558-10-00	END, NIPPLE	1	
20	90465-11M10-00	CLAMP	2	
21	63D-44311-00-00	HOUSING, WATER PUMP	1	
22	63D-44322-00-00	.INSERT, CARTRIDGE	1	
23	6H3-44352-00-00	.IMPELLER	1	
24	93210-59MG7-00	.O-RING	1	
25	90280-03024-00	.KEY, WOODRUFF	1	
26	63D-44323-00-00	.OUTER PLATE, CARTRIDGE	1	
27	63D-44316-00-00	.GASKET, WATER PUMP	1	
28	93604-08062-00	PIN, DOWEL	2	
29	97395-08030-00	BOLT	4	
30	90209-08M02-00	WASHER	4	
31	63D-44341-00-00	HOUSING, WATER PUMP	1	
32	93101-25M57-00	.OIL SEAL	2	
33	93210-48MG8-00	O-RING	1	
34	63D-45344-00-00	COVER, OIL SEAL	1	
35	90201-27M00-00	WASHER, PLATE	1	
36	62Y-45501-10-00	DRIVE SHAFT COMP.	1	
37	6H4-45551-01-00	PINION (13T)	1	
38	90170-12138-00	NUT	1	
39	6H4-45560-01-00	GEAR 1 (24T)	1	
40	93332-00003-00	BEARING	1	
41	663-45567-01-10	SHIM (T:0.10MM)	1	UR
41	663-45567-01-12	SHIM (T:0.12MM)	1	UR
41	663-45567-01-15	SHIM (T:0.15MM)	1	UR
41	663-45567-01-18	SHIM (T:0.18MM)	1	UR
41	663-45567-01-30	SHIM (T:0.30MM)	1	UR
41	663-45567-01-40	SHIM (T:0.40MM)	1	UR
41	663-45567-01-50	SHIM (T:0.50MM)	1	UR
42	6H4-45571-01-00	GEAR 2 (24T)	1	

43	63D-45361-01-4D	CAP, LOWER CASING	1	
44	90105-08M61-00	BOLT, FLANGE	2	
45	93306-001U1-00	BEARING	1	
46	63D-45577-00-10	SHIM (T:0.10MM)	1	UR
46	63D-45577-00-12	SHIM (T:0.12MM)	1	UR
46	63D-45577-00-15	SHIM (T:0.15MM)	1	UR
46	63D-45577-00-18	SHIM (T:0.18MM)	1	UR
46	63D-45577-00-30	SHIM (T:0.30MM)	1	UR
46	63D-45577-00-40	SHIM (T:0.40MM)	1	UR
46	63D-45577-00-50	SHIM (T:0.50MM)	1	UR
47	93210-74MG5-00	.O-RING	2	
48	93210-69MG6-00	.O-RING	1	
49	93317-22204-00	BEARING	1	
50	93101-22067-00	.OIL SEAL	2	
51	663-44151-00-00	CAM, SHIFT	1	
52	63D-44144-00-00	ROD, SHIFT	1	
53	93210-07540-00	.O-RING	1	
54	99001-08600-00	CIRCLIP	1	
55	63D-45611-00-00	SHAFT, PROPELLER	1	
56	90201-22429-00	WASHER, PLATE	1	
57	63D-45631-00-00	CLUTCH, DOG	1	
58	663-45634-00-00	SLIDE, SHIFT	1	
59	90501-16M01-00	SPRING, COMPRESSION	1	
60	63D-45635-00-00	PLUNGER, SHIFT	1	
61	90250-06023-00	PIN, STRAIGHT	1	
62	663-45633-00-00	RING, CROSS PIN	1	

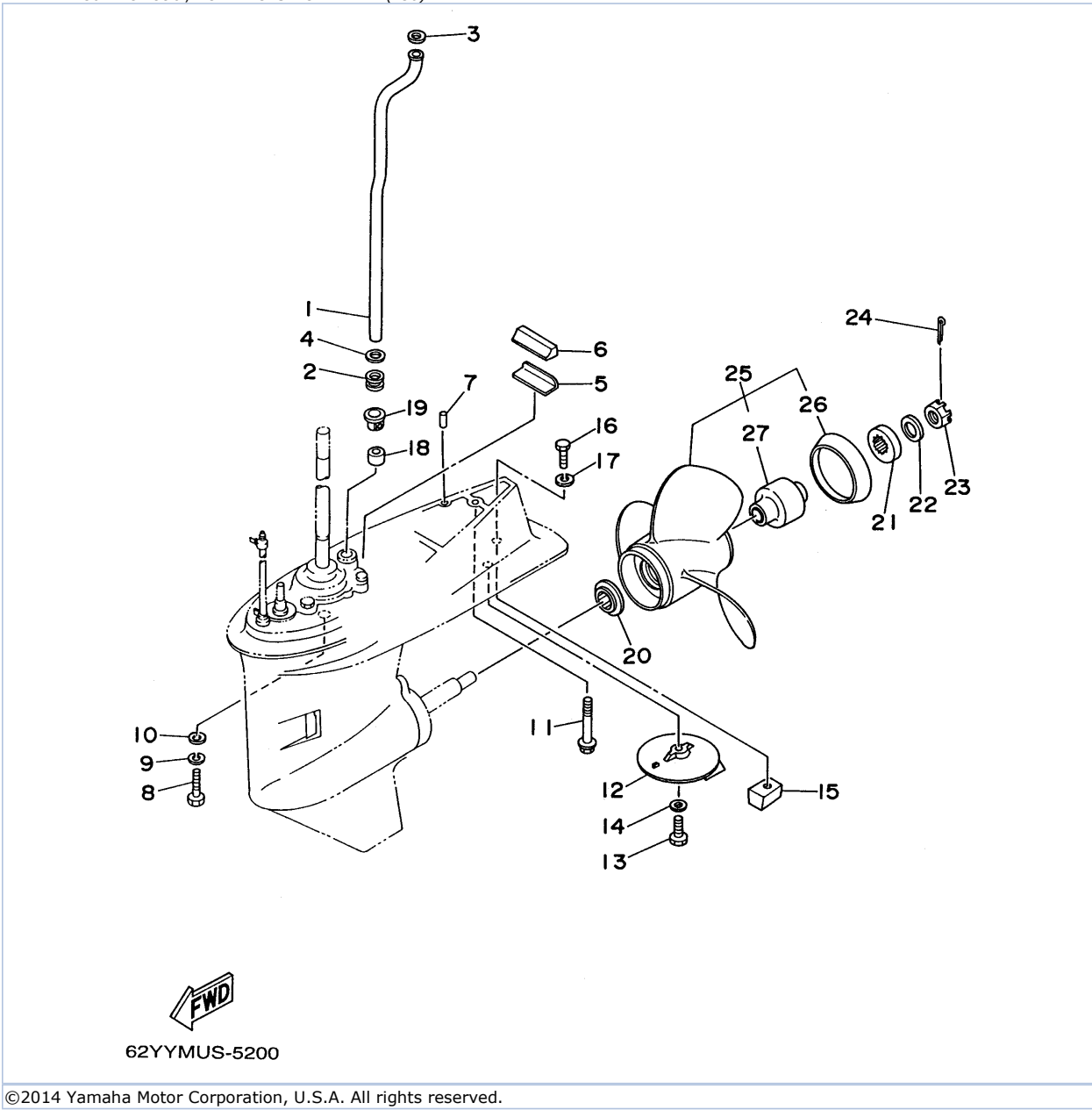
## Part Notes

T50TLRU 1996 / LOWER CASING DRIVE 1 (F50)

PART NUMBER		NOTE TEXT
90430-08020-00		OEM: This part number is among the Top 100 Most Popular Marine Maintenance Parts as of March 2014.
93106-09014-00		OEM: This part number is among the Top 100 Most Popular Marine Maintenance Parts as of March 2014.
6H3-44352-00-00		OEM: This part number is among the Top 100 Most Popular Marine Maintenance Parts as of March 2014.

©2014 Yamaha Motor Corporation, U.S.A. All rights reserved.

T50TLRU 1996 / LOWER CASING DRIVE 2 (F50)




## Part List

T50TLRU 1996 / LOWER CASING DRIVE 2 (F50)

REF - NO	PART NUMBER	PART NAME	QUANTITY	REMARKS
1	62Y-44361-00-00	TUBE, WATER 1	1	
2	663-44367-00-00	DAMPER, WATER SEAL 3	1	
3	90202-12060-00	WASHER, PLATE	1	
4	90430-12072-00	GASKET	1	
5	663-45376-00-94	GUIDE, SEAL DAMPER	1	
6	63D-45375-00-00	DAMPER, SEAL	1	
7	93606-12019-00	.PIN, DOWEL	2	
8	97395-10040-00	BOLT	4	
9	92990-10100-00	WASHER, SPRING	4	
10	92990-10600-00	WASHER, PLATE	4	
11	90119-08M84-00	BOLT, WITH WASHER	1	
12	664-45371-01-00	TAB-TRIM	1	
13	97395-08025-00	BOLT	1	
14	92995-08100-00	WASHER	1	
15	63D-45251-10-00	ANODE	1	
16	97395-08020-00	BOLT, HEXAGON	1	
17	92995-08100-00	WASHER	1	
18	663-44366-00-00	.DAMPER, WATER SEAL 2	1	
19	63D-44312-00-00	.COVER, WATER PUMP HOUSING	1	
20	663-45987-02-00	SPACER 1	1	
21	670-45997-02-00	SPACER	1	
22	92990-16200-00	WASHER, PLAIN	1	
23	90171-16011-00	NUT, CASTLE	1	
24	91490-30030-00	PIN, COTTER	1	
25	663-45956-01-EL	PROPELLER (3X12-1/4"X9"-G)	1	UR ALUM.
25	6H5-45958-00-EL	PROPELLER (3X10-1/4"X14"-G)	1	UR ALUM.
25	663-45970-60-98	PROPELLER (3X11-3/4"X12"-G)	1	UR S/S
25	663-45972-60-98	PROPELLER (3X12"X11"-G)	1	UR S/S
25	663-45974-60-98	PROPELLER (3X11-1/2"X13"-G)	1	UR S/S
25	663-45976-00-98	PROPELLER (3X10-1/4"X15"-G)	1	UR S/S
25	663-45978-00-98	PROPELLER (3X10-1/4"X16"-G)	1	UR S/S
25	663-45930-00-98	PROPELLER (3X10-1/4"X14"-G)	1	UR S/S
25	663-45930-00-98	PROPELLER (3X10-1/4"X14"-G)	1	UR S/S
25	663-45958-01-EL	PROPELLER (3X11-1/4"X14"-G)	1	UR ALUM.
25	663-45974-02-98	PROPELLER (3X10-5/8"X13"-G)	1	UR S/S
25	6H5-45952-00-EL	PROPELLER (3X10-3/8X13"-G)	1	UR ALUM.
25	6H5-45952-00-EL	PROPELLER (3X10-3/8X13"-G)	1	UR ALUM.
25	663-45949-01-EL	PROPELLER (3X10-3/4"X16"-G)	1	UR ALUM.
25	663-45947-02-EL	PROPELLER (3X11-5/8"X11"-G)	1	UR ALUM.
25	6H5-45945-00-EL	PROPELLER (3X10-5/8X12"-G)	1	UR ALUM.
25	6H5-45945-00-EL	PROPELLER (3X10-5/8X12"-G)	1	UR ALUM.
25	663-45941-01-EL	PROPELLER (3X10-3/4"X17"-G)	1	UR ALUM.

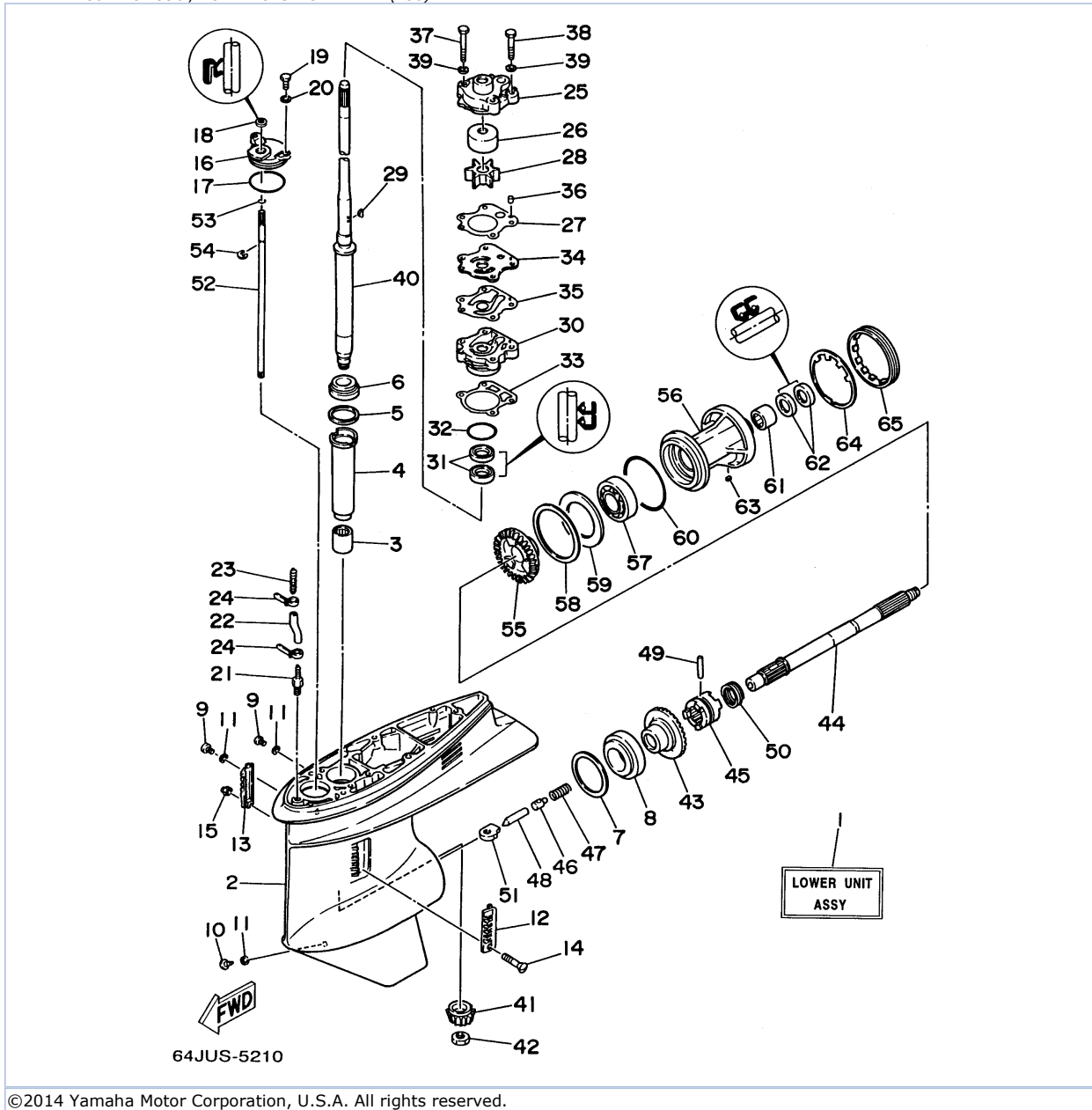
25	6H5-45943-00-EL	PROPELLER (3X10"X15"-G)	1	UR ALUM.
26	663-45986-00-94	RING, DEFLECTOR	1	UR ALUM.
27	663-45981-10-00	DAMPER, RUBBER PROP	1	

**Part Notes***T50TLRU 1996 / LOWER CASING DRIVE 2 (F50)*

<b>PART NUMBER</b>		<b>NOTE TEXT</b>
92990-10600-00		OEM: This part number is among the Top 100 Most Popular Marine Maintenance Parts as of March 2014.

©2014 Yamaha Motor Corporation, U.S.A. All rights reserved.

T50TLRU 1996 / LOWER CASING DRIVE 1 (T50)



©2014 Yamaha Motor Corporation, U.S.A. All rights reserved.

## Part List






T50TLRU 1996 / LOWER CASING DRIVE 1 (T50)

REF - NO	PART NUMBER	PART NAME	QUANTITY	REMARKS
1	64J-45300-10-4D	LOWER UNIT ASSEMBLY (REF. NO. 2~65)	1	
2	6H1-45301-11-4D	CASING, LOWER	1	
3	93315-325V1-00	BEARING	1	
4	688-45536-01-00	SLEEVE, DRIVE SHAFT	1	
5	688-45587-01-15	SHIM (T:0.15MM)	1	UR
5	688-45587-01-10	SHIM (T:0.10MM)	1	UR
5	688-45587-01-50	SHIM (T:0.50MM)	1	UR
5	688-45587-01-30	SHIM (T:0.30MM)	1	UR
5	688-45587-01-12	SHIM (T:0.12MM)	1	UR
5	688-45587-01-18	SHIM (T:0.18MM)	1	UR
5	688-45587-01-40	SHIM (T:0.40MM)	1	UR
6	93332-000U3-00	BEARING	1	
7	688-45567-01-30	SHIM (T:0.30MM)	1	UR
7	688-45567-01-50	SHIM (T:0.50MM)	1	UR
7	688-45567-01-12	SHIM (T:0.12MM)	1	UR
7	688-45567-01-10	SHIM (T:0.10MM)	1	UR
7	688-45567-01-15	SHIM (T:0.15MM)	1	UR
7	688-45567-01-18	SHIM (T:0.18MM)	1	UR
7	688-45567-01-40	SHIM (T:0.40MM)	1	UR
8	93332-000W7-00	BEARING	1	
9	90340-08M04-00	PLUG, STRAIGHT SCREW	2	
10	688-45341-00-00	PLUG, DRAIN	1	
11	90430-08020-00	.GASKET	3	
12	688-45214-02-00	COVER, WATER INLET 1	1	
13	688-45215-02-00	COVER, WATER INLET 2	1	
14	98780-05545-00	SCREW, OVAL HEAD	1	
15	90185-05002-00	NUT, NYLON	1	
16	688-45321-00-00	PLATE	1	
17	93210-49046-00	.O-RING	1	
18	93106-09014-00	.OIL SEAL	1	
19	97095-06016-00	BOLT	2	
20	92990-06600-00	WASHER, PLATE	2	
21	6E5-45378-00-00	NIPPLE, HOSE	1	
22	90445-07M31-00	HOSE (L200)	1	
23	6E5-83558-10-00	END, NIPPLE	1	
24	90465-11M10-00	CLAMP	2	
25	6H3-44311-00-00	HOUSING, WATER PUMP	1	
26	663-44322-00-00	.INSERT, CARTRIDGE	1	
27	6H3-44315-A0-00	.GASKET, WATER PUMP	1	
28	6H3-44352-00-00	.IMPELLER	1	
29	90280-03M03-00	.KEY, WOODRUFF	1	
30	6H3-44341-00-94	HOUSING, WATER PUMP	1	
31	93101-23070-00	.OIL SEAL	2	
32	93210-46044-00	O-RING	1	
33	688-44316-A0-00	.GASKET, WATER PUMP	1	
34	6H3-44323-00-00	.OUTER PLATE, CARTRIDGE	1	
35	6H3-44324-A0-00	.GASKET, CARTRIDGE	1	
36	93604-10M03-00	PIN, DOWEL	2	
37	97095-08055-00	BOLT	2	
38	97095-08045-00	.BOLT	2	
39	90209-08M02-00	WASHER	4	
40	64J-45501-10-00	DRIVE SHAFT COMP.	1	
41	6K5-45551-00-00	PINION (12T)	1	

42	90170-16M01-00	NUT	1	
43	6K5-45560-00-00	GEAR 1 (28T)	1	
44	688-45611-01-00	SHAFT, PROPELLER	1	
45	688-45631-01-00	CLUTCH, DOG	1	
46	688-45634-00-00	SLIDE, SHIFT	1	
47	90501-16233-00	SPRING, COMPRESSION	1	
48	688-45635-00-00	PLUNGER, SHIFT	1	
49	90250-07M02-00	PIN, STRAIGHT	1	
50	688-45633-00-00	RING, CROSS PIN	1	
51	663-44151-00-00	CAM, SHIFT	1	
52	6K5-44144-00-00	ROD, SHIFT	1	
53	93210-07540-00	.O-RING	1	
54	99001-08600-00	CIRCLIP	1	
55	6K5-45571-00-00	GEAR 2	1	
56	688-45331-00-94	HOUSING, BEARING	1	
57	93306-207U0-00	.BEARING	1	
58	688-45577-01-12	SHIM (T:0.12MM)	1	UR
58	688-45577-01-40	SHIM (T:0.40MM)	1	UR
58	688-45577-01-18	SHIM (T:0.18MM)	1	UR
58	688-45577-01-15	SHIM (T:0.15MM)	1	UR
58	688-45577-01-10	SHIM (T:0.10MM)	1	UR
58	688-45577-01-50	SHIM (T:0.50MM)	1	UR
58	688-45577-01-30	SHIM (T:0.30MM)	1	UR
59	688-45576-00-00	WASHER, THRUST	1	
60	93210-85M97-00	O-RING	1	
61	93317-325U0-00	BEARING	1	
62	93101-25M03-00	.OIL SEAL	2	
63	90282-04010-00	KEY, STRAIGHT	1	
64	688-45383-02-00	WASHER, CLAW	1	
65	688-45384-00-00	NUT	1	

## Part Notes

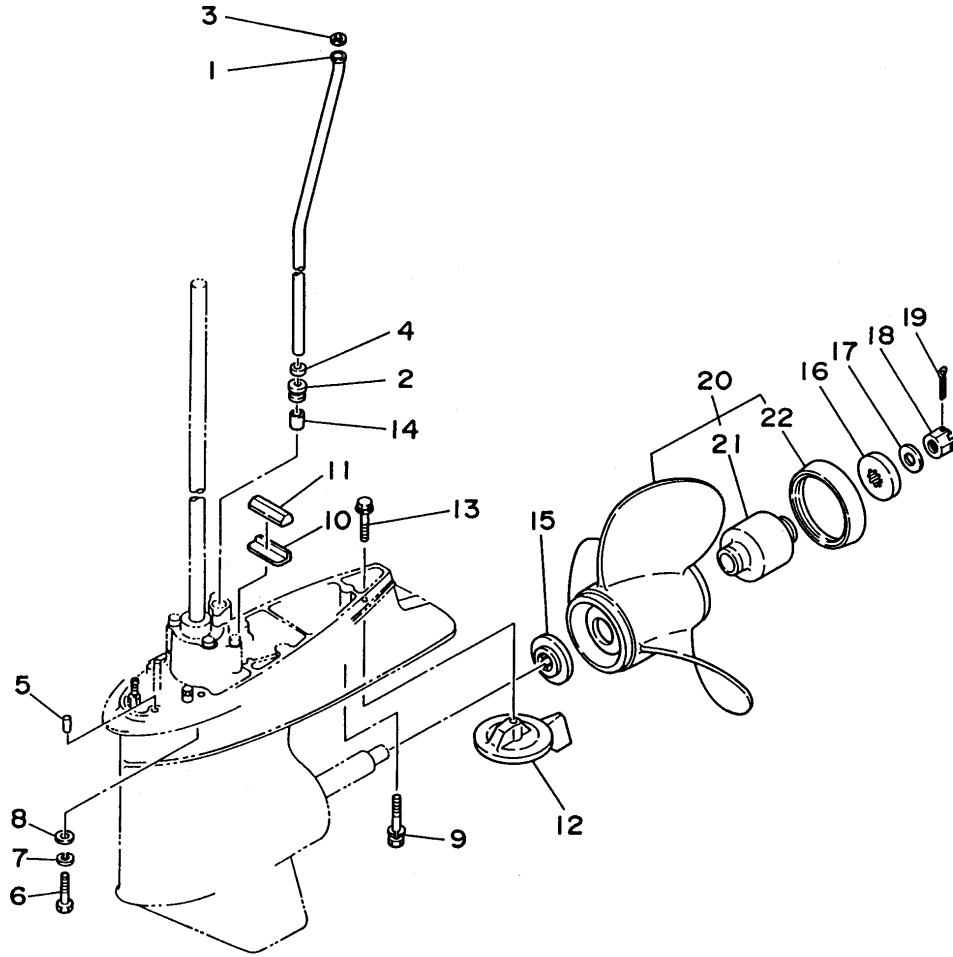
T50TLRU 1996 / LOWER CASING DRIVE 1 (T50)

PART NUMBER		NOTE TEXT
90430-08020-00		OEM: This part number is among the Top 100 Most Popular Marine Maintenance Parts as of March 2014.
93106-09014-00		OEM: This part number is among the Top 100 Most Popular Marine Maintenance Parts as of March 2014.
92990-06600-00		OEM: This part number is among the Top 100 Most Popular Marine Maintenance Parts as of March 2014.
6H3-44352-00-00		OEM: This part number is among the Top 100 Most Popular Marine Maintenance Parts as of March 2014.
93101-25M03-00		OEM: This part number is among the Top 100 Most Popular Marine Maintenance Parts as of March 2014.

©2014 Yamaha Motor Corporation, U.S.A. All rights reserved.



T50TLRU 1996 / LOWER CASING DRIVE 2 (T50)



64JYMUS-5220

©2014 Yamaha Motor Corporation, U.S.A. All rights reserved.




## Part List

T50TLRU 1996 / LOWER CASING DRIVE 2 (T50)

REF - NO	PART NUMBER	PART NAME	QUANTITY	REMARKS
1	62Y-44361-00-00	TUBE, WATER 1	1	
2	663-44367-00-00	DAMPER, WATER SEAL 3	1	
3	90202-12060-00	WASHER, PLATE	1	
4	90430-12072-00	GASKET	1	
5	93606-12019-00	.PIN, DOWEL	2	
6	97075-10040-00	BOLT	4	
7	92990-10100-00	WASHER, SPRING	4	
8	92990-10600-00	WASHER, PLATE	4	
9	90119-08M84-00	BOLT, WITH WASHER	1	
10	663-45376-00-94	GUIDE, SEAL DAMPER	1	
11	688-45375-00-00	DAMPER, SEAL	1	
12	688-45371-02-00	TAB-TRIM	1	
13	90105-10M67-00	BOLT, FLANGE	1	
14	663-44366-00-00	.DAMPER, WATER SEAL 2	1	
15	688-45987-02-00	SPACER	1	
16	688-45997-01-00	SPACER 2	1	
17	90201-17M00-00	WASHER, PLATE	1	
18	90171-16011-00	NUT, CASTLE	1	
19	91490-40030-00	PIN. COTTER	1	
20	6E5-45947-00-EL	PROPELLER (3X13-1/2"X15"-K)	1	UR
20	6E5-45949-00-EL	PROPELLER (3X13-5/8"X13"-K)	1	UR
20	6E5-45943-00-EL	PROPELLER (3X12-5/8"X21"-K)	1	UR
20	6E5-45941-00-EL	PROPELLER (3X13"X19"-K)	1	UR
20	6E5-45954-00-EL	PROPELLER (3X14"X11"-K)	1	UR
20	6E5-45952-00-EL	PROPELLER (3X13"X23"-K)	1	UR
20	6E5-45945-01-EL	PROPELLER (3X13-1/4"X17"-K)	1	UR
21	688-45981-00-00	DAMPER, PROPELLER	1	
22	688-45986-00-94	RING, DEFLECTOR	1	UR ALUM.

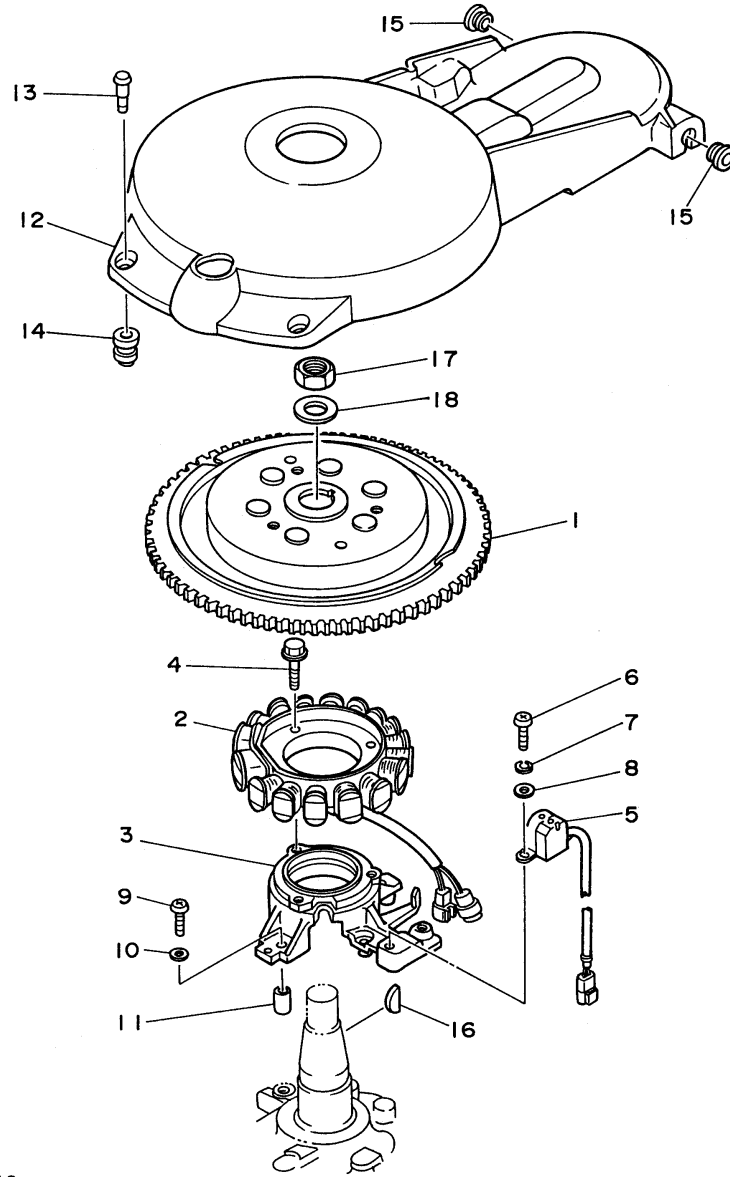
## Part Notes

T50TLRU 1996 / LOWER CASING DRIVE 2 (T50)

PART NUMBER		NOTE TEXT
92990-10600-00		OEM: This part number is among the Top 100 Most Popular Marine Maintenance Parts as of March 2014.
688-45997-01-00		OEM: This part number is among the Top 100 Most Popular Marine Maintenance Parts as of March 2014.
91490-40030-00		OEM: This part number is among the Top 100 Most Popular Marine Maintenance Parts as of March 2014.

©2014 Yamaha Motor Corporation, U.S.A. All rights reserved.

T50TLRU 1996 / GENERATOR



62YJA-5210

©2014 Yamaha Motor Corporation, U.S.A. All rights reserved.



## Part List

T50TLRU 1996 / GENERATOR

REF - NO	PART NUMBER	PART NAME	QUANTITY	REMARKS
1	62Y-85550-01-00	ROTOR ASSY	1	
2	62Y-85510-00-00	STATOR ASSEMBLY	1	
3	62Y-85561-00-94	BASE, MAGNETO	1	
4	95024-06025-00	BOLT, FLANGE (SMALL HEAD)	3	
5	62Y-85580-00-00	COIL, PULSER	1	
6	98580-05012-00	.SCREW, PAN HEAD	2	
7	92990-05100-00	.WASHER, SPRING	2	
8	92990-05600-00	WASHER, PLATE	2	
9	98580-06025-00	SCREW, PAN HEAD	4	
10	92990-06600-00	WASHER, PLATE	4	
11	99530-08012-00	PIN, DOWEL	2	
12	62Y-81337-00-00	COVER, FLYWHEEL	1	
13	6K7-81338-01-00	.CLAMP, LEAD	2	
14	663-82317-01-00	DAMPER, IGNITION COIL	2	
15	90480-12072-00	GROMMET	2	
16	90280-05049-00	KEY, WOODRUFF	1	
17	90170-20137-00	NUT	1	
18	90201-21M18-00	WASHER, PLATE	1	

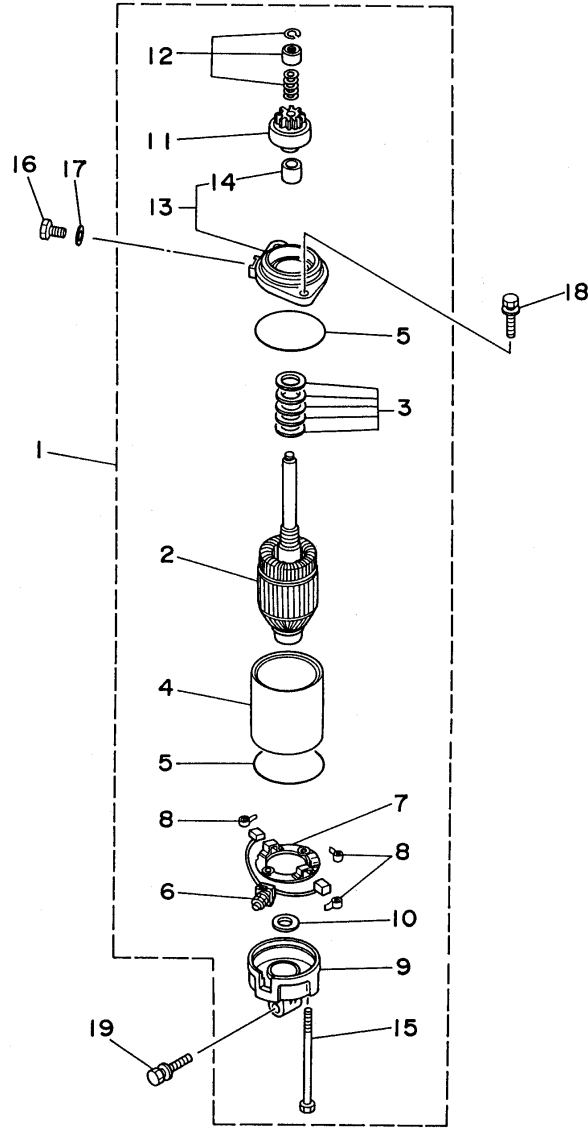
## Part Notes

T50TLRU 1996 / GENERATOR

PART NUMBER		NOTE TEXT
92990-06600-00		OEM: This part number is among the Top 100 Most Popular Marine Maintenance Parts as of March 2014.
90480-12072-00		OEM: GROMMET used on F115TLR and F/LF115TXR 0410 Production and Earlier

©2014 Yamaha Motor Corporation, U.S.A. All rights reserved.

T50TLRU 1996 / STARTING MOTOR



62YJA-5220

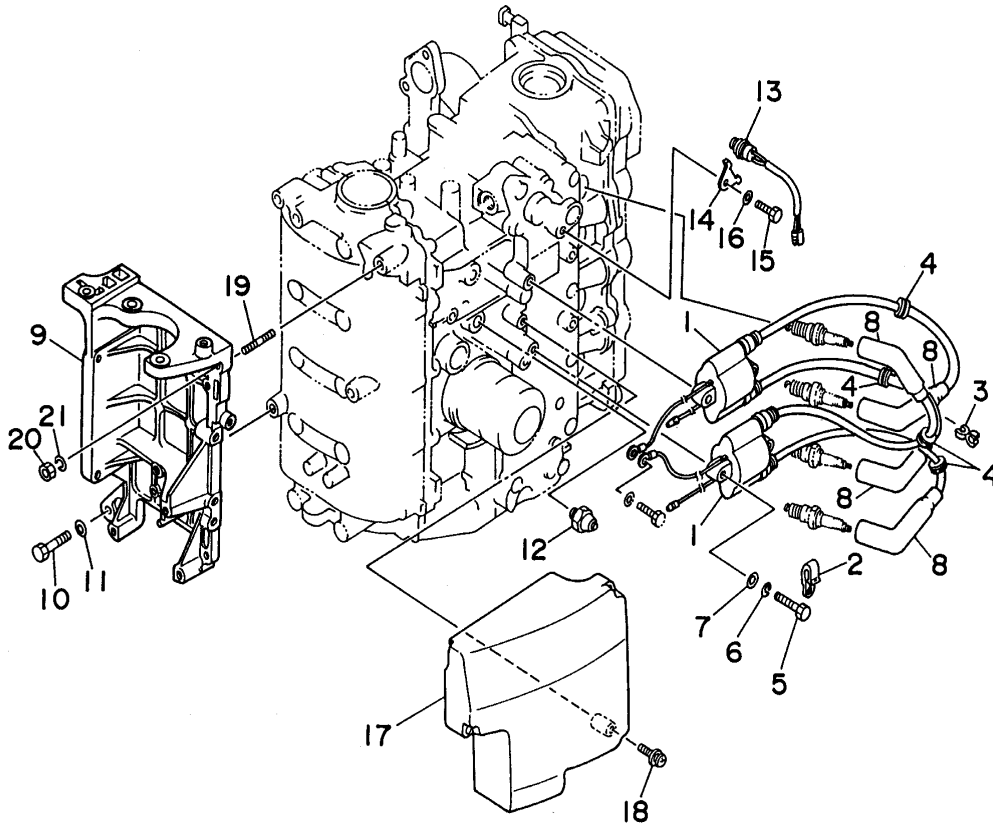
©2014 Yamaha Motor Corporation, U.S.A. All rights reserved.

## Part List

T50TLRU 1996 / STARTING MOTOR

REF - NO	PART NUMBER	PART NAME	QUANTITY	REMARKS
1	6E5-81800-12-00	STARTER MOTOR ASSY	1	
2	6E5-81850-11-00	.ARMATURE ASSY	1	
3	6E5-81809-10-00	.WASHER KIT	1	
4	6E5-81810-10-00	.STATOR ASSY	1	
5	6E5-81847-10-00	.O-RING	2	
6	6E5-81801-10-00	.BRUSH SET	1	
7	6E5-81840-10-00	.BRUSH HOLDER ASSY	1	
8	6E5-81813-10-00	.SPRING, BRUSH	3	
9	6E5-81820-11-00	.REAR BRACKET ASSY	1	
10	6E5-81824-00-00	.WASHER 2	1	
11	6E5-81807-11-00	.GEAR ASSY, STARTING MOTOR	1	
12	61H-81857-00-00	.RETAINER	1	
13	6E5-81830-10-00	.FRONT BRACKET ASSY	1	
14	688-81831-00-00	..METAL, FRONT	1	
15	6E5-81826-10-00	.BOLT	2	
16	97395-08016-00	BOLT	1	
17	92990-08600-00	..WASHER, PLATE	1	
18	90119-08M76-00	BOLT, WITH WASHER	2	
19	90119-08M77-00	BOLT, WITH WASHER	1	

T50TLRU 1996 / ELECTRICAL 1



62YJA-5230

©2014 Yamaha Motor Corporation, U.S.A. All rights reserved.



## Part List

T50TLRU 1996 / ELECTRICAL 1

REF - NO	PART NUMBER	PART NAME	QUANTITY	REMARKS
1	62Y-85570-00-00	IGNITION COIL ASSY	2	
2	90465-06M28-00	.CLAMP	1	
3	90464-07M41-00	CLAMP	1	
4	90480-25161-00	GROMMET	4	
5	97095-06030-00	BOLT	4	
6	92995-06100-00	WASHER, SPRING	4	
7	92990-06600-00	WASHER, PLATE	4	
8	6G8-82370-20-00	PLUG CAP ASSEMBLY	4	
9	62Y-81822-00-94	BRACKET, STARTING MOTOR	1	
10	97095-08035-00	BOLT	3	
11	92990-08600-00	..WASHER, PLATE	3	
12	62Y-82504-00-00	OIL PRESSURE SWITCH ASSY	1	
13	62Y-82560-00-00	THERMO SWITCH ASSEMBLY	1	
14	6E9-82588-00-00	PLATE	1	
15	97095-06012-00	BOLT	1	
16	92990-06600-00	WASHER, PLATE	1	
17	62Y-85599-00-00	COVER	1	
18	90159-06M08-00	SCREW, WITH WASHER	3	
19	90116-08M14-00	BOLT, STUD	1	
20	95380-08600-00	NUT	1	
21	92990-08100-00	WASHER, SPRING	1	

## Part Notes

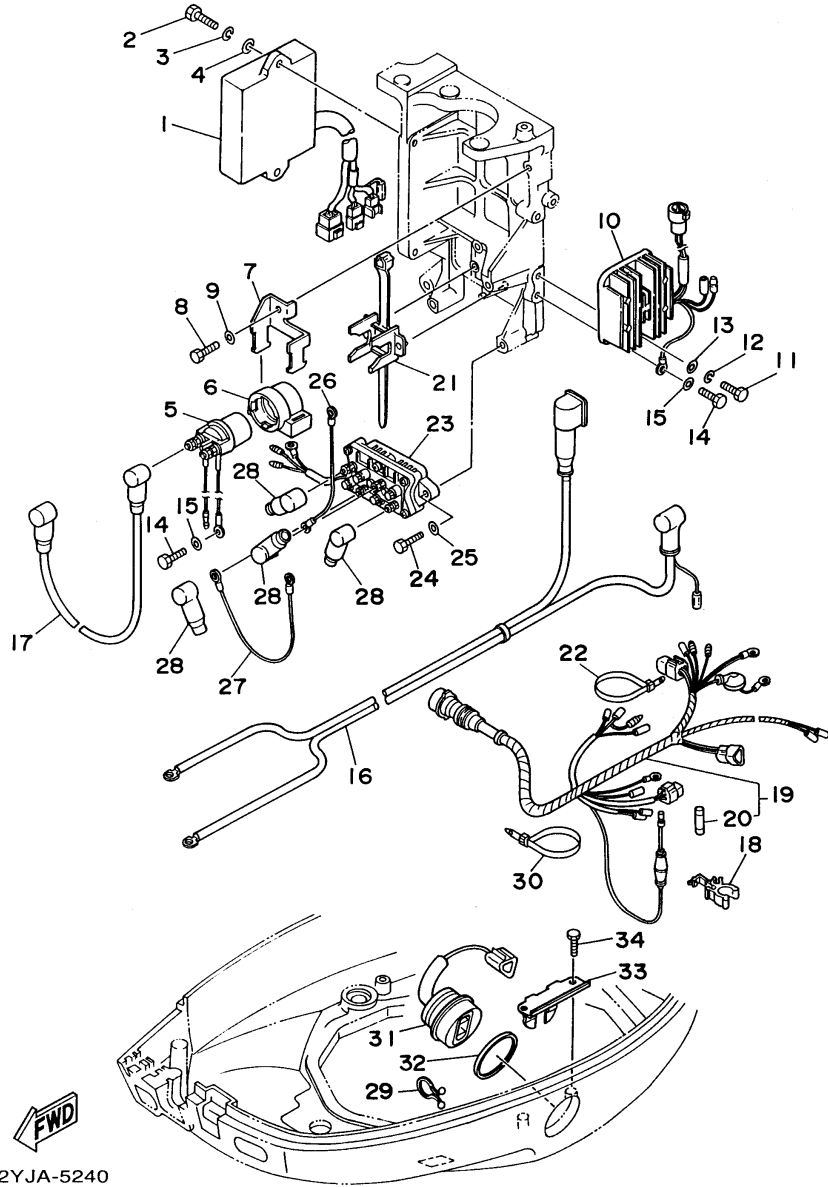
T50TLRU 1996 / ELECTRICAL 1

PART NUMBER		NOTE TEXT
92990-06600-00		OEM: This part number is among the Top 100 Most Popular Marine Maintenance Parts as of March 2014.
92990-06600-00		OEM: This part number is among the Top 100 Most Popular Marine Maintenance Parts as of March 2014.

©2014 Yamaha Motor Corporation, U.S.A. All rights reserved.



T50TLRU 1996 / ELECTRICAL 2



62YJA-5240

©2014 Yamaha Motor Corporation, U.S.A. All rights reserved.






## Part List

T50TLRU 1996 / ELECTRICAL 2

REF - NO	PART NUMBER	PART NAME	QUANTITY	REMARKS
1	62Y-85540-00-00	C.D.I. UNIT ASSEMBLY	1	
2	97095-06020-00	BOLT	2	
3	92995-06100-00	WASHER, SPRING	2	
4	92990-06600-00	WASHER, PLATE	2	
5	6G1-81941-10-00	STARTER RELAY ASSY	1	
6	6G1-81952-00-00	HOLDER, RELAY	1	
7	6L2-81945-00-00	PLATE, SWITCH FITTING	1	
8	97395-06014-00	BOLT	1	
9	92990-06600-00	WASHER, PLATE	1	
10	62Y-81960-00-00	RECTIFIER & REGULATOR ASSY	1	
11	97095-06025-00	BOLT	2	
12	92995-06100-00	WASHER, SPRING	2	
13	92990-06600-00	WASHER, PLATE	2	
14	97095-06012-00	BOLT	4	
15	92990-06600-00	WASHER, PLATE	4	
16	62Y-82105-00-00	BATTERY CABLE	1	
17	6E5-82117-00-00	WIRE, LEAD	1	
18	6G5-82152-00-00	HOLDER, FUSE	1	
19	62Y-82590-10-00	WIRE HARNESS ASSY	1	
20	682-82151-00-00	.FUSE (12V-20A)	1	
21	688-82594-00-00	CLAMP	1	
22	437-83936-11-00	BAND, SWITCH CORD	1	
23	6H1-81950-00-00	RELAY ASSY	1	PTT
24	97095-06025-00	BOLT	2	PTT
25	92990-06600-00	WASHER, PLATE	2	PTT
26	6H2-81949-01-00	WIRE, LEAD	1	PTT
27	61A-81949-00-00	WIRE, LEAD	1	PTT
28	682-82119-01-00	COVER, LEAD WIRE	4	PTT
29	90464-16039-00	CLAMP	1	
30	437-83936-11-00	BAND, SWITCH CORD	1	
31	63D-82563-10-00	TRIM & TILT SWITCH ASSY	1	PTT
32	6E5-82587-00-00	GASKET	1	PTT
33	62Y-83614-00-00	BRACKET	1	PTT
34	97095-06012-00	BOLT	2	PTT

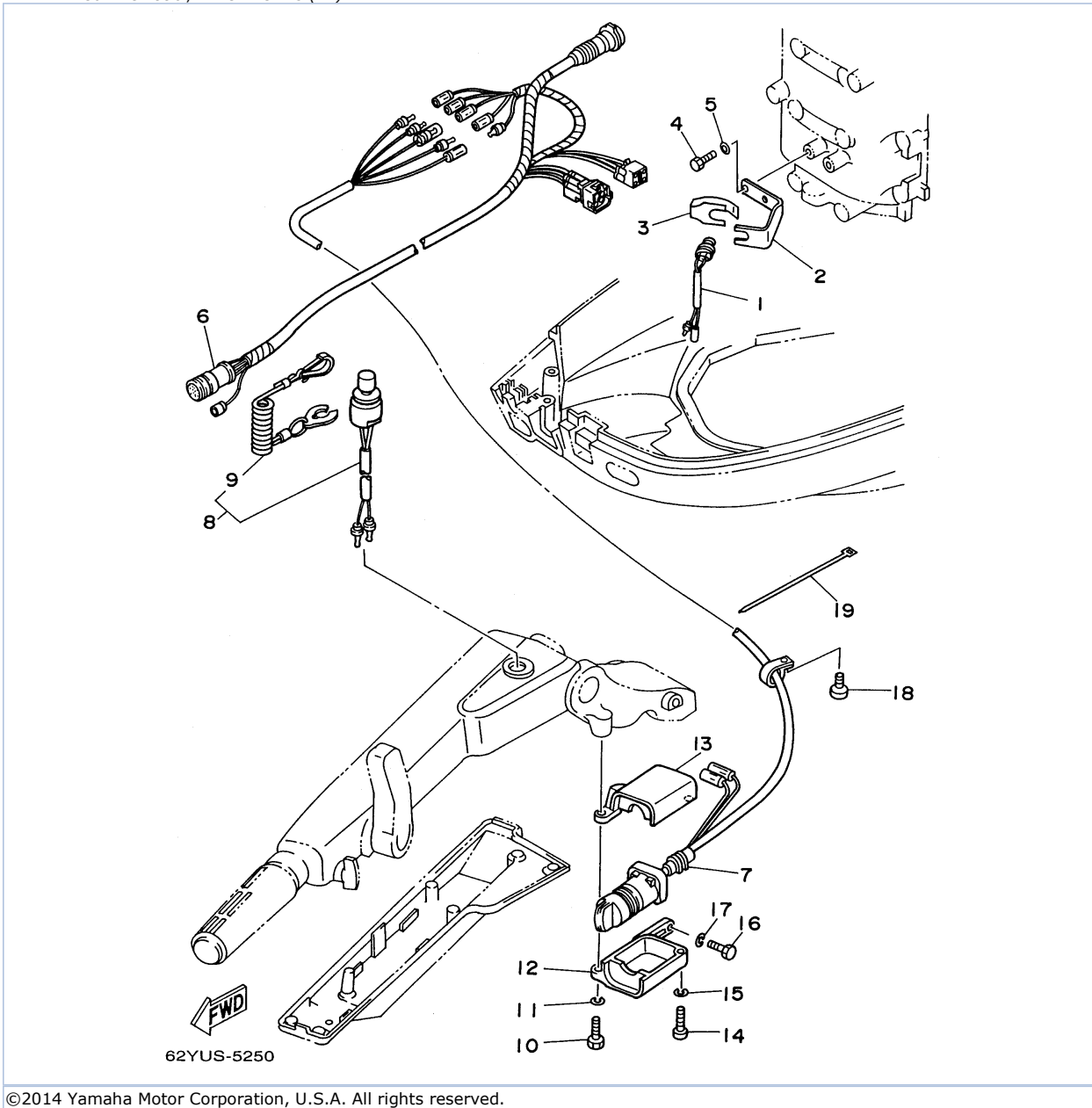
## Part Notes

T50TLRU 1996 / ELECTRICAL 2

PART NUMBER	NOTE TEXT
92990-06600-00	 OEM: This part number is among the Top 100 Most Popular Marine Maintenance Parts as of March 2014.
92990-06600-00	 OEM: This part number is among the Top 100 Most Popular Marine Maintenance Parts as of March 2014.
92990-06600-00	 OEM: This part number is among the Top 100 Most Popular Marine Maintenance Parts as of March 2014.
92990-06600-00	 OEM: This part number is among the Top 100 Most Popular Marine Maintenance Parts as of March 2014.
92990-06600-00	 OEM: This part number is among the Top 100 Most Popular Marine Maintenance Parts as of March 2014.

©2014 Yamaha Motor Corporation, U.S.A. All rights reserved.

T50TLRU 1996 / ELECTRICAL 3 (TH)



©2014 Yamaha Motor Corporation, U.S.A. All rights reserved.



## Part List

T50TLRU 1996 / ELECTRICAL 3 (TH)

REF - NO	PART NUMBER	PART NAME	QUANTITY	REMARKS
1	6H3-82540-00-00	NEUTRAL SWITCH ASSY	1	
2	62Y-82554-00-00	STAY, NEUTRAL ASSY	1	
3	62Y-82555-00-00	DAMPER, MAIN SWITCH 1	1	
4	97395-06014-00	BOLT	2	
5	92990-06600-00	WASHER, PLATE	2	
6	6H2-82586-01-00	EXTENSION, WIRE HARNESS	1	
7	6H5-82510-00-00	MAIN SWITCH ASSY	1	
8	63D-82575-00-00	ENGINE STOP SWITCH ASSY	1	
9	682-82556-00-00	.LANYARD, STOP SWITCH	1	
10	97095-06025-00	BOLT	1	
11	92995-06100-00	WASHER, SPRING	1	
12	63D-8252F-00-4D	COVER, MAIN SWITCH	1	
13	63D-8252E-00-4D	COVER, MAIN SWITCH	1	
14	97885-06025-00	SCREW, PAN HEAD	1	
15	92995-06100-00	WASHER, SPRING	1	
16	97095-06020-00	BOLT	1	
17	92995-06100-00	WASHER, SPRING	1	
18	97885-06012-00	SCREW, PAN HEAD	1	
19	90465-13M36-00	CLAMP	1	

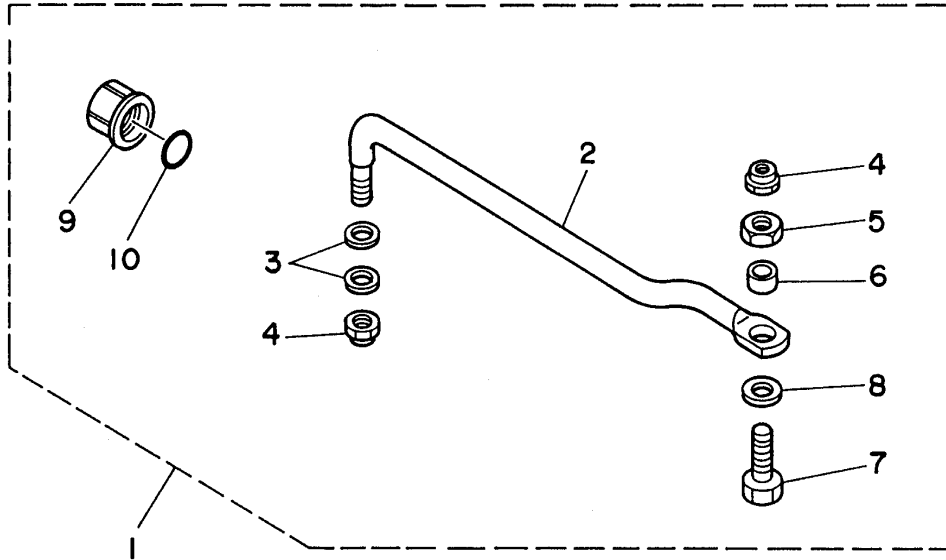
## Part Notes

T50TLRU 1996 / ELECTRICAL 3 (TH)

PART NUMBER	NOTE TEXT
92990-06600-00 	OEM: This part number is among the Top 100 Most Popular Marine Maintenance Parts as of March 2014.
682-82556-00-00 	OEM: This part number is among the Top 100 Most Popular Marine Maintenance Parts as of March 2014.

©2014 Yamaha Motor Corporation, U.S.A. All rights reserved.

T50TLRU 1996 / STEERING GUIDE ATTACHMENT



63CJA-5260

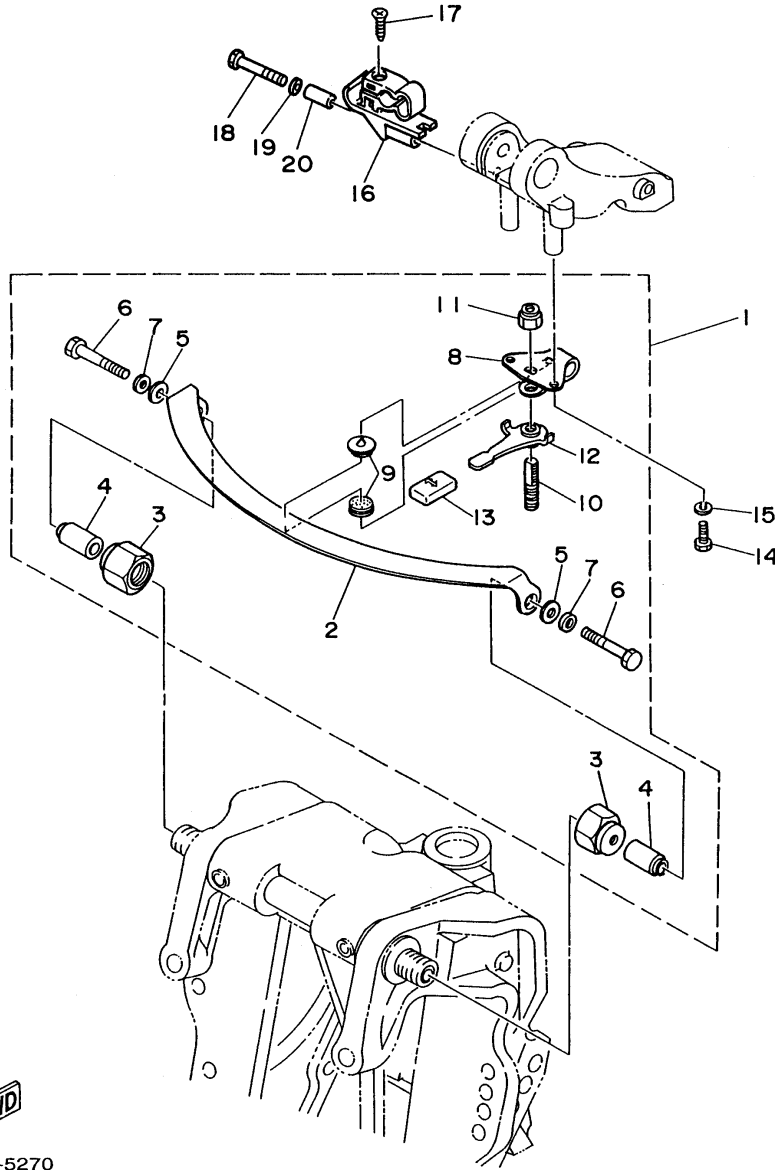
©2014 Yamaha Motor Corporation, U.S.A. All rights reserved.

## Part List

T50TLRU 1996 / STEERING GUIDE ATTACHMENT

REF - NO	PART NUMBER	PART NAME	QUANTITY	REMARKS
1	63D-61350-00-00	STEERING GUIDE ATTACHMENT KIT	1	
2	63D-61351-00-00	.ROD, STEERING LINK	1	
3	90201-10M20-00	.WASHER, PLATE	2	
4	90185-09M01-00	.NUT, SELF-LOCKING	2	
5	90170-09M03-00	.NUT	1	
6	90387-10M42-00	.COLLAR	1	
7	90101-09M01-00	.BOLT	1	
8	90201-10M63-00	.WASHER, PLATE	1	
9	6E5-43145-00-00	.CAP, CLAMP BRACKET	1	
10	93210-16275-00	.O-RING	1	

T50TLRU 1996 / STEERING FRICTION



62YUS-5270

©2014 Yamaha Motor Corporation, U.S.A. All rights reserved.


## Part List

T50TLRU 1996 / STEERING FRICTION

REF - NO	PART NUMBER	PART NAME	QUANTITY	REMARKS
1	63D-42508-00-00	STEERING FRICTION ASSY	1	
2	63D-42527-00-00	.PLATE, FRICTION	1	
3	63D-42546-00-00	.NUT	2	
4	63D-42541-00-00	.PIPE 1	2	
5	90201-08M01-00	.WASHER, PLATE	2	
6	97395-08050-00	.BOLT	2	
7	92990-08600-00	.WASHER, PLATE	2	
8	63D-42526-00-00	.PLATE, FRICTION	1	
9	63D-42528-00-00	.PLATE, FRICTION	2	
10	63D-42562-00-00	.SHAFT, STEERING LOCK	1	
11	90185-10M01-00	.NUT, SELF-LOCKING	1	
12	63D-42561-00-00	.KNOB, STEERING LOCK	1	
13	682-43318-01-00	.COVER	1	
14	97095-06016-00	BOLT	2	
15	92995-06100-00	WASHER, SPRING	2	
16	62Y-82361-00-00	CLAMP, CORD	1	
17	90161-06M03-00	SCREW, TAPPING	1	
18	97095-06035-00	BOLT	1	
19	92990-06600-00	WASHER, PLATE	1	
20	90387-06M26-00	COLLAR	1	

## Part Notes

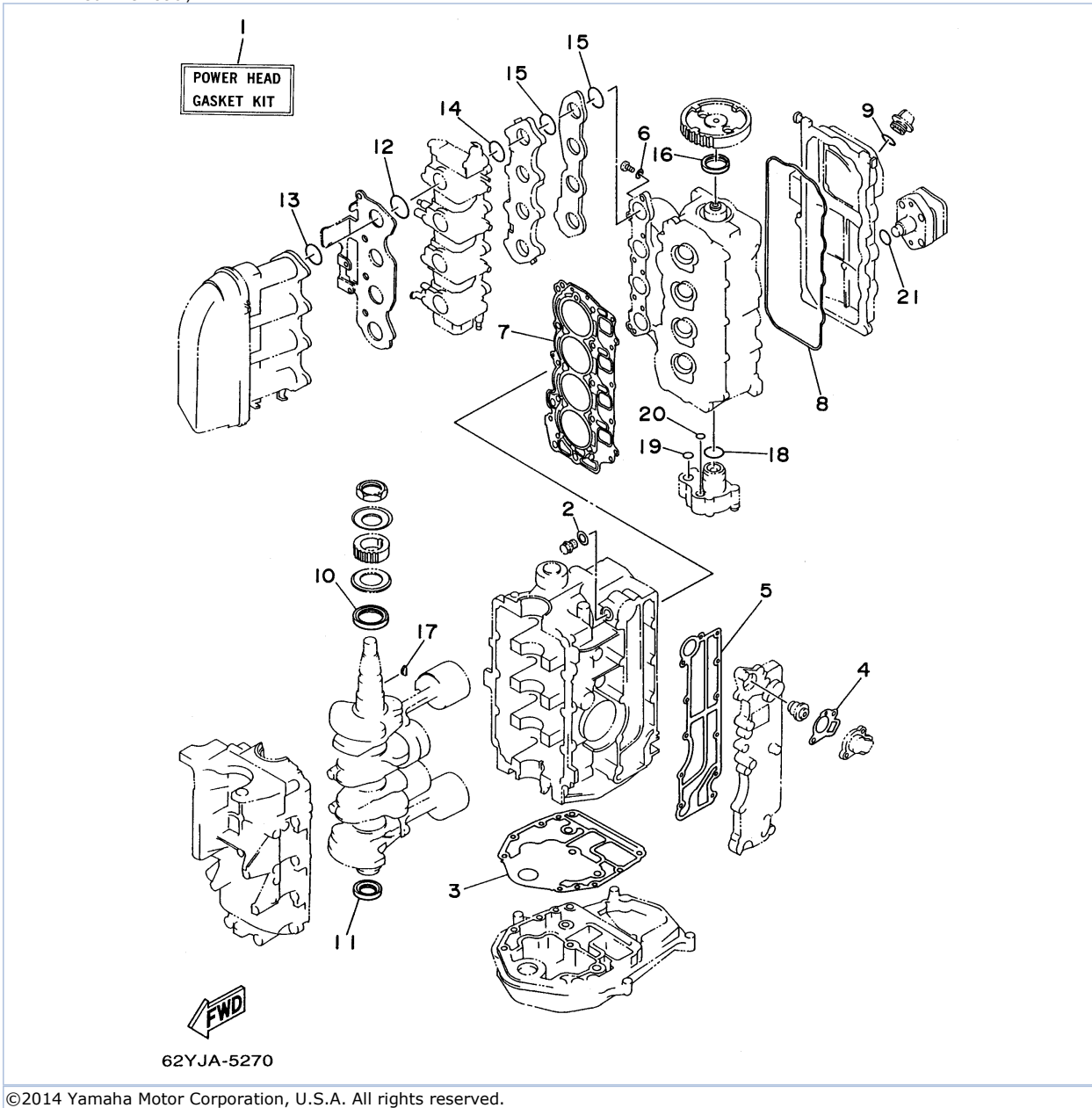
T50TLRU 1996 / STEERING FRICTION

PART NUMBER	NOTE TEXT
92990-06600-00 	OEM: This part number is among the Top 100 Most Popular Marine Maintenance Parts as of March 2014.

©2014 Yamaha Motor Corporation, U.S.A. All rights reserved.



T50TLRU 1996 / REPAIR KIT 1




## Part List

T50TLRU 1996 / REPAIR KIT 1

REF - NO	PART NUMBER	PART NAME	QUANTITY	REMARKS
1	62Y-W0001-00-00	POWER HEAD GASKET KIT	1	
2	90430-14115-00	.GASKET	1	
3	62Y-11351-00-00	.GASKET, CYLINDER	1	
4	62Y-12414-00-00	.GASKET, COVER	1	
5	62Y-41114-00-00	.GASKET, EXHAUST OUTER COVER	1	
6	90430-06014-00	.GASKET	1	
7	62Y-11181-00-00	.GASKET, CYLINDER HEAD 1	1	
8	62Y-11356-00-00	.SEAL, CYLINDER 2	1	
9	93210-25070-00	.O-RING	1	
10	93102-43M42-00	.OIL SEAL	1	
11	93102-35M41-00	.OIL SEAL	1	
12	93210-35M86-00	.O-RING	4	
13	93210-38MH3-00	.O-RING	4	
14	93210-30MH4-00	.O-RING	4	
15	93210-35M86-00	.O-RING	8	
16	93102-37M40-00	.OIL SEAL	1	
17	90280-04M06-00	.KEY, WOODRUFF	1	
18	93210-33MH2-00	.O-RING	1	
19	93210-12MG9-00	.O-RING	1	
20	93210-14515-00	.O-RING	1	
21	93210-25070-00	.O-RING	1	

## Part Notes

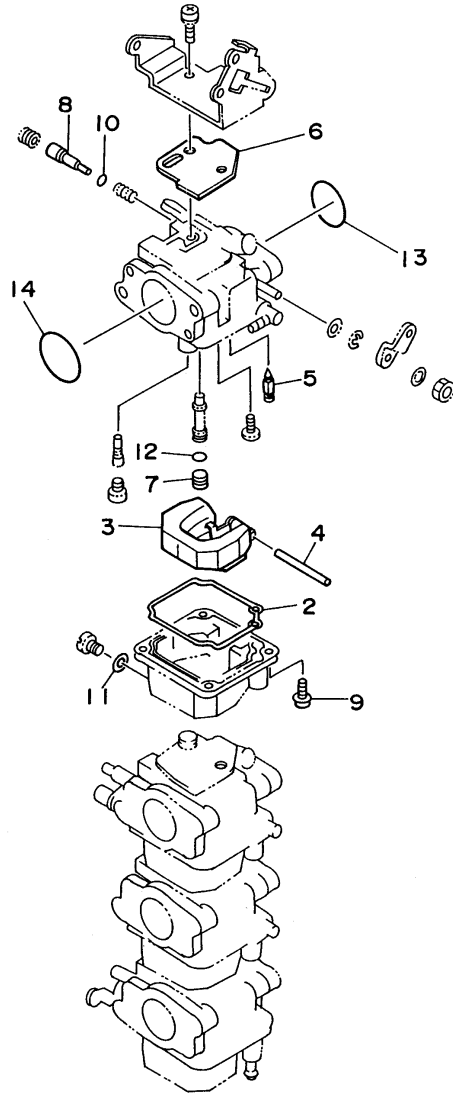
T50TLRU 1996 / REPAIR KIT 1

PART NUMBER	NOTE TEXT
62Y-12414-00-00 	OEM: This part number is among the Top 100 Most Popular Marine Maintenance Parts as of March 2014.

©2014 Yamaha Motor Corporation, U.S.A. All rights reserved.

T50TLRU 1996 / REPAIR KIT 2

1  
CARBURETOR  
REPAIR KIT



62YJA-5280

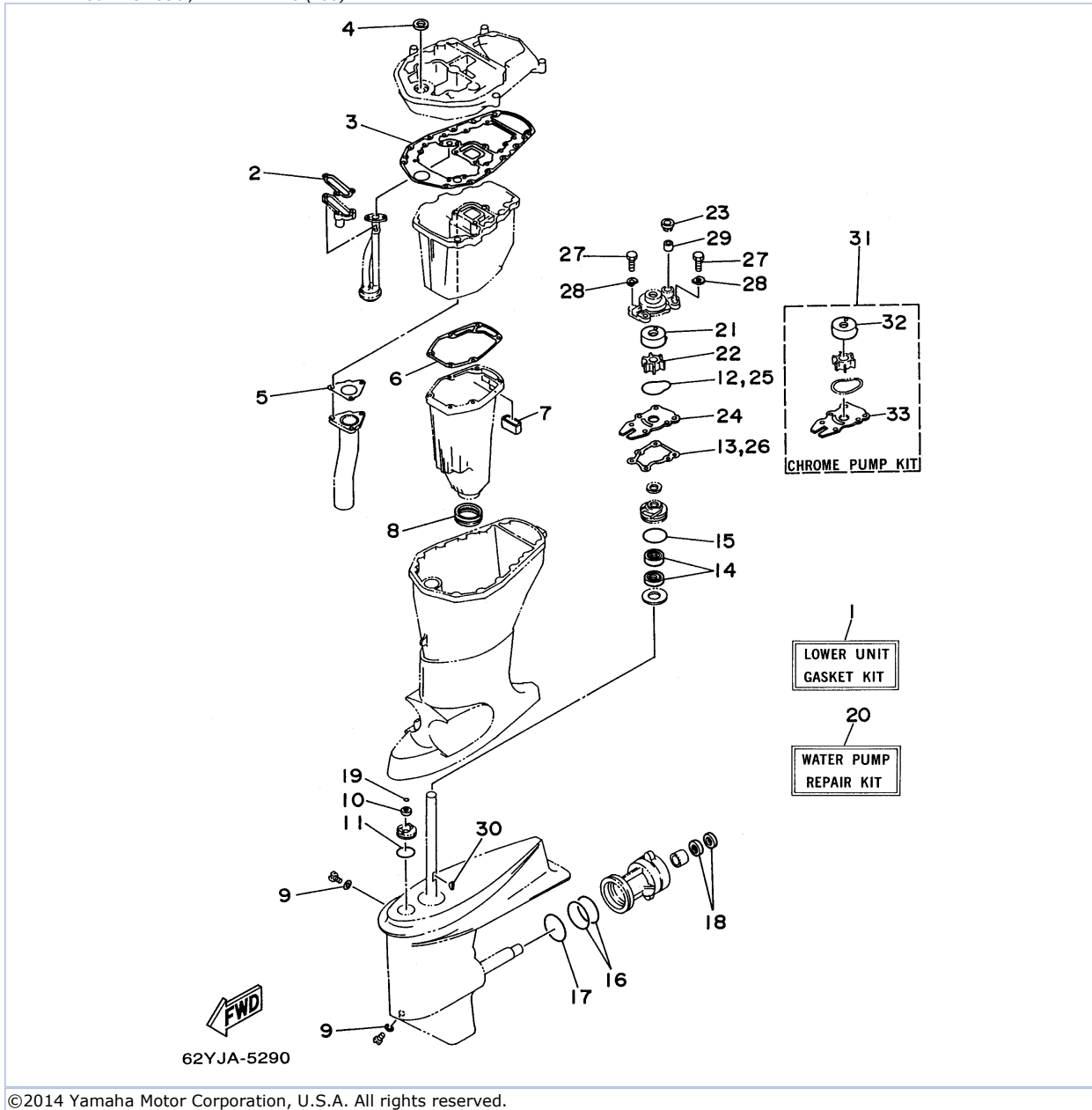
©2014 Yamaha Motor Corporation, U.S.A. All rights reserved.

## Part List

T50TLRU 1996 / REPAIR KIT 2

REF - NO	PART NUMBER	PART NAME	QUANTITY	REMARKS
1	62Y-W0093-00-00	CARBURETOR REPAIR KIT	1	
2	6L2-14384-00-00	.GASKET, FLOAT CHAMBER	1	
3	6L2-14385-00-00	.FLOAT	1	
4	6E5-14386-01-00	.PIN, FLOAT	1	
5	6L2-14392-00-00	.VALVE	1	
6	62Y-14399-00-00	.GASKET	1	
7	62Y-14355-00-00	.PLUG	1	
8	12V-14105-00-00	.PILOT SCREW SET	1	
9	97980-04112-00	.SCREW, WITH WASHER	4	
10	5H0-14397-00-00	.O-RING	1	
11	62Y-14398-00-00	.GASKET	1	
12	6F5-14397-00-00	.O-RING	1	
13	93210-30MH4-00	.O-RING	4	
14	93210-35M86-00	.O-RING	4	

T50TLRU 1996 / REPAIR KIT 3 (F50)



©2014 Yamaha Motor Corporation, U.S.A. All rights reserved.




## Part List

T50TLRU 1996 / REPAIR KIT 3 (F50)

REF - NO	PART NUMBER	PART NAME	QUANTITY	REMARKS
1	62Y-W0001-20-00	LOWER UNIT GASKET KIT	1	
2	62Y-13475-00-00	.GASKET	1	
3	62Y-15312-00-00	.GASKET, OIL PAN	1	
4	93101-16M36-00	.OIL SEAL	1	
5	62Y-41133-00-00	.GASKET, EXHAUST MANIFOLD 1	1	
6	62Y-41134-00-00	.GASKET, EXHAUST MANIFOLD	1	
7	62Y-45127-00-00	.SEAL	1	
8	663-45123-00-00	.GASKET, MUFFLER	1	
9	90430-08020-00	.GASKET	3	
10	93106-09014-00	.OIL SEAL	1	
11	93210-33MG4-00	.O-RING	1	
12	93210-59MG7-00	.O-RING	1	
13	63D-44316-00-00	.GASKET, WATER PUMP	1	
14	93101-25M57-00	.OIL SEAL	2	
15	93210-48MG8-00	.O-RING	1	
16	93210-74MG5-00	.O-RING	2	
17	93210-69MG6-00	.O-RING	1	
18	93101-22067-00	.OIL SEAL	2	
19	93210-07540-00	.O-RING	1	
20	63D-W0078-00-00	WATER PUMP REPAIR KIT	1	
21	63D-44322-00-00	.INSERT, CARTRIDGE	1	
22	6H3-44352-00-00	.IMPELLER	1	
23	63D-44312-00-00	.COVER, WATER PUMP HOUSING	1	
24	63D-44323-00-00	.OUTER PLATE, CARTRIDGE	1	
25	93210-59MG7-00	.O-RING	1	
26	63D-44316-00-00	.GASKET, WATER PUMP	1	
27	97395-08030-00	.BOLT	4	
28	90209-08M02-00	.WASHER	4	
29	663-44366-00-00	.DAMPER, WATER SEAL 2	1	
30	90280-03024-00	.KEY, WOODRUFF	1	
31	63D-W0078-0A-00	CHROME PUMP KIT	1	
32	63D-44322-40-00	.INSERT, CARTRIDGE	1	
33	63D-44323-40-00	.OUTER PLATE, CARTRIDGE	1	

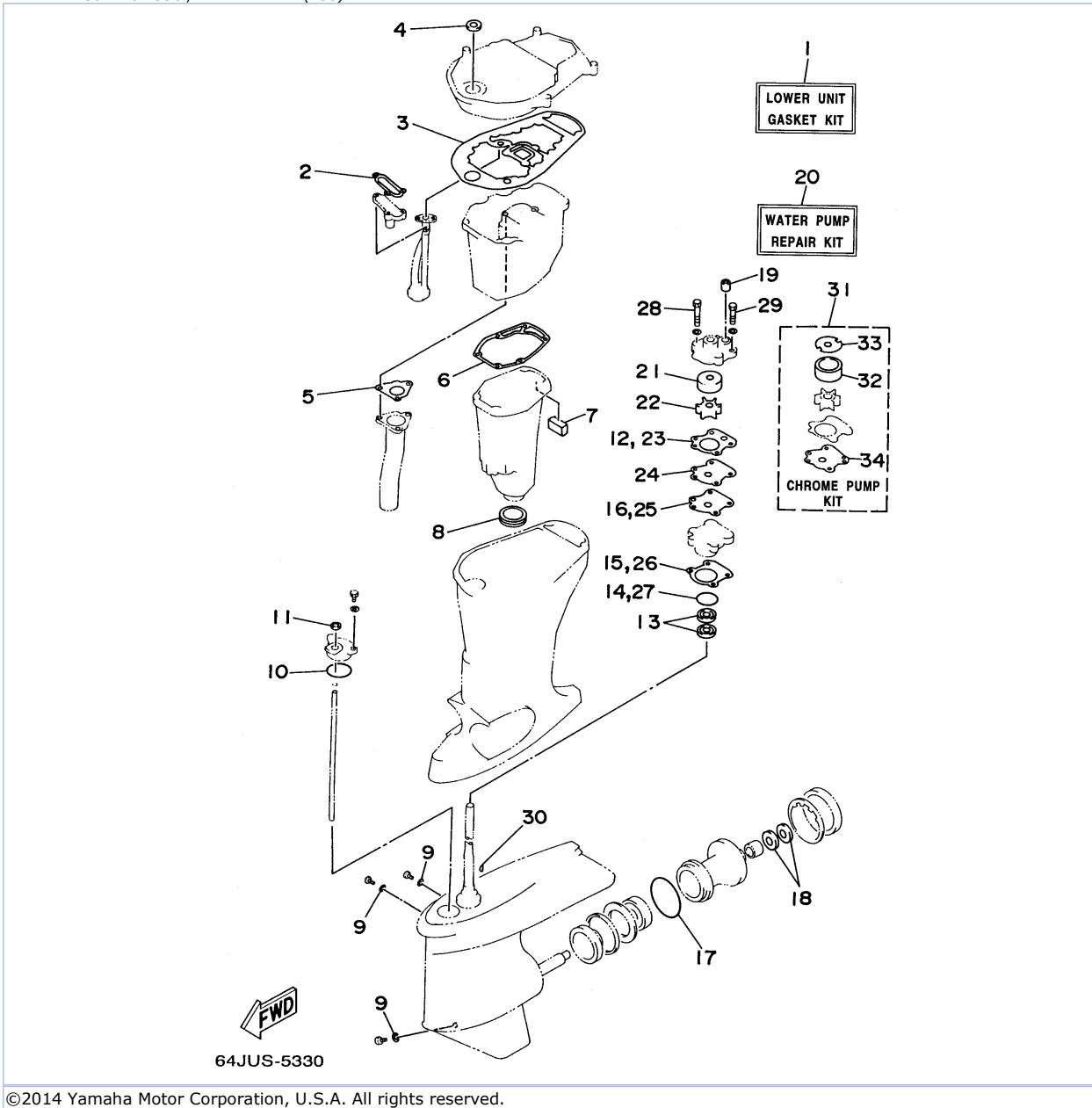
## Part Notes

T50TLRU 1996 / REPAIR KIT 3 (F50)

PART NUMBER		NOTE TEXT
90430-08020-00		OEM: This part number is among the Top 100 Most Popular Marine Maintenance Parts as of March 2014.
93106-09014-00		OEM: This part number is among the Top 100 Most Popular Marine Maintenance Parts as of March 2014.
6H3-44352-00-00		OEM: This part number is among the Top 100 Most Popular Marine Maintenance Parts as of March 2014.

©2014 Yamaha Motor Corporation, U.S.A. All rights reserved.

T50TLRU 1996 / REPAIR KIT 4 (T50)







## Part List

T50TLRU 1996 / REPAIR KIT 4 (T50)

REF - NO	PART NUMBER	PART NAME	QUANTITY	REMARKS
1	64J-W0001-20-00	LOWER UNIT GASKET KIT	1	
2	62Y-13475-00-00	.GASKET	1	
3	62Y-15312-00-00	.GASKET, OIL PAN	1	
4	93101-16M36-00	.OIL SEAL	1	
5	62Y-41133-00-00	.GASKET, EXHAUST MANIFOLD 1	1	
6	62Y-41134-00-00	.GASKET, EXHAUST MANIFOLD	1	
7	62Y-45127-00-00	.SEAL	1	
8	663-45123-00-00	.GASKET, MUFFLER	1	
9	90430-08020-00	.GASKET	3	
10	93210-49046-00	.O-RING	1	
11	93106-09014-00	.OIL SEAL	1	
12	6H3-44315-A0-00	.GASKET, WATER PUMP	1	
13	93101-23070-00	.OIL SEAL	2	
14	93210-46044-00	.O-RING	1	
15	688-44316-A0-00	.GASKET, WATER PUMP	1	
16	6H3-44324-A0-00	.GASKET, CARTRIDGE	1	
17	93210-85M97-00	.O-RING	1	
18	93101-25M03-00	.OIL SEAL	2	
19	663-44366-00-00	.DAMPER, WATER SEAL 2	1	
20	6H3-W0078-A0-00	WATER PUMP REPAIR KIT (6H3-W0078-00-00)	1	
21	663-44322-00-00	.INSERT, CARTRIDGE	1	
22	6H3-44352-00-00	.IMPELLER	1	
23	6H3-44315-A0-00	.GASKET, WATER PUMP	1	
24	6H3-44323-00-00	.OUTER PLATE, CARTRIDGE	1	
25	6H3-44324-A0-00	.GASKET, CARTRIDGE	1	
26	688-44316-A0-00	.GASKET, WATER PUMP	1	
27	93210-46044-00	.O-RING	1	
28	97095-08045-00	.BOLT	4	
29	97395-08055-00	.BOLT	4	
30	90280-03M03-00	.KEY, WOODRUFF	1	
31	6H3-W0078-0A-00	CHROME PUMP KIT	1	
32	670-44322-01-00	.INSERT, CARTRIDGE	1	
33	670-44321-00-00	.INNER PLATE, CARTRIDGE	1	
34	63D-44323-40-00	.OUTER PLATE, CARTRIDGE	1	

## Part Notes

T50TLRU 1996 / REPAIR KIT 4 (T50)

PART NUMBER		NOTE TEXT
90430-08020-00		OEM: This part number is among the Top 100 Most Popular Marine Maintenance Parts as of March 2014.
93106-09014-00		OEM: This part number is among the Top 100 Most Popular Marine Maintenance Parts as of March 2014.
93101-25M03-00		OEM: This part number is among the Top 100 Most Popular Marine Maintenance Parts as of March 2014.
6H3-44352-00-00		OEM: This part number is among the Top 100 Most Popular Marine Maintenance Parts as of March 2014.

©2014 Yamaha Motor Corporation, U.S.A. All rights reserved.

©2014 Yamaha Motor Corporation, U.S.A. All rights reserved.