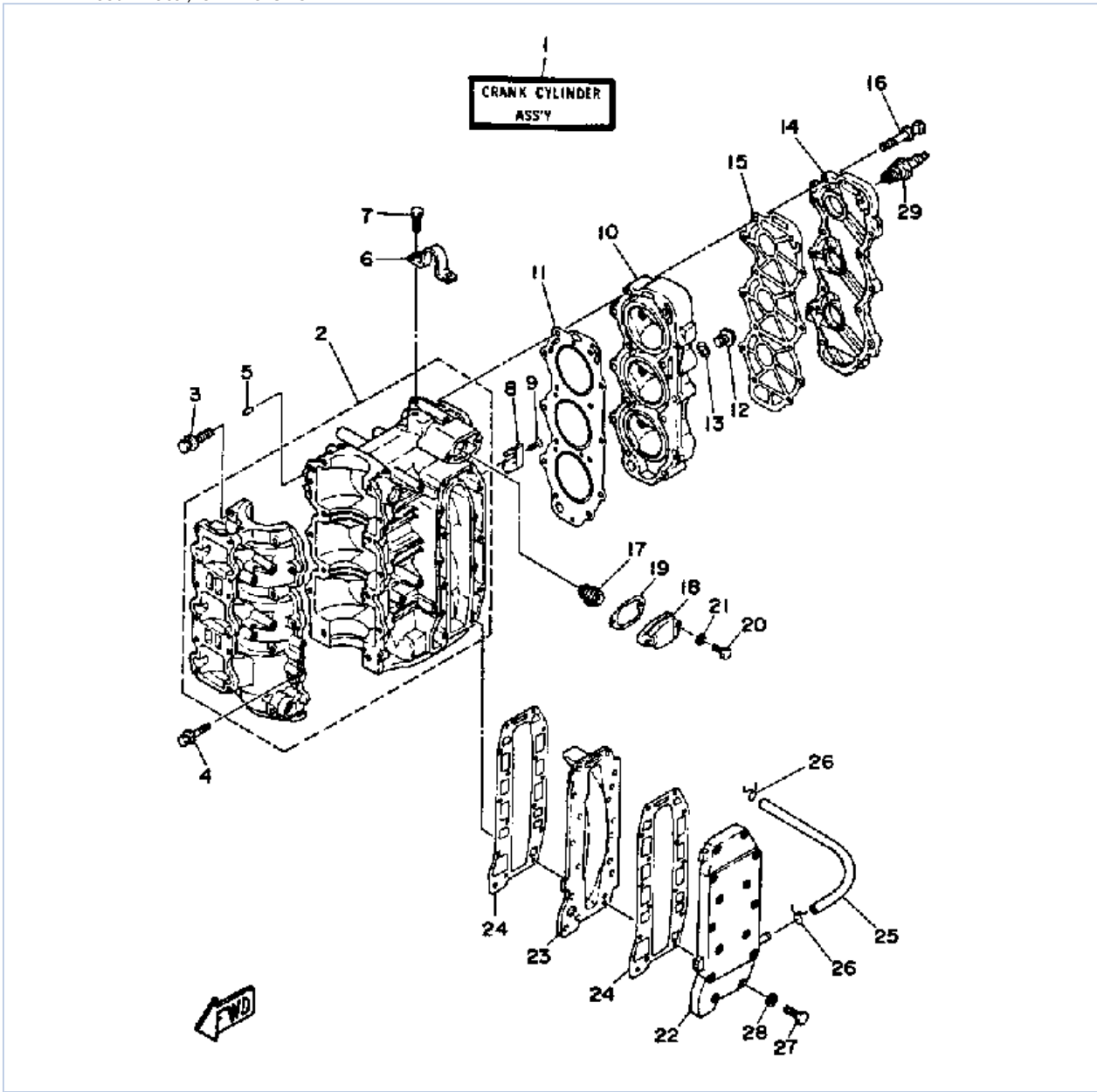


PRO50LF 1989 / CRANKCASE CYLINDER



©2014 Yamaha Motor Corporation, U.S.A. All rights reserved.



Part List

PRO50LF 1989 / CRANKCASE CYLINDER

| REF - NO | PART NUMBER | PART NAME | QUANTITY | REMARKS |
|----------------|-----------------|---------------------------|----------|---------|
| 1 | 6H4-W0090-41-EK | CRANK-CYLINDER ASSEMBLY | 1 | |
| 2 | 6H4-15100-11-94 | CRANKCASE ASSEMBLY | 1 | |
| 3 | 90119-08M19-00 | BOLT, WITH WASHER | 8 | |
| 4 | 90119-06M13-00 | BOLT, WITH WASHER | 6 | |
| 5 | 93606-12019-00 | .PIN, DOWEL | 2 | |
| 6 | 6H4-11119-00-00 | HANGER, ENGINE | 1 | |
| 7 | 97313-06014-00 | BOLT, HEXAGON | 2 | |
| 8 | 688-11325-00-00 | ANODE | 2 | |
| 9 | 98680-04016-00 | SCREW OVAL HEAD | 2 | |
| 10 | 6H4-11111-01-94 | HEAD, CYLINDER 1 | 1 | |
| 11 | 6H4-11181-A0-00 | GASKET, CYLINDER HEAD 1 | 1 | |
| 12 | 90340-14M00-00 | .PLUG, STRAIGHT SCREW | 1 | |
| 13 | 90430-14115-00 | .GASKET | 1 | |
| 14 | 6H4-11191-01-9M | COVER, CYLINDER HEAD 1 | 1 | |
| 15 | 6H4-11193-00-00 | GASKET, HEAD COVER 1 | 1 | |
| 16 | 90119-08M29-00 | BOLT, WITH WASHER | 14 | |
| 17 | 6E5-12411-20-00 | THERMOSTAT | 1 | |
| 18 | 6H4-12413-00-9M | COVER, THERMOSTAT | 1 | |
| 19 | 6J8-12414-A0-00 | GASKET, COVER | 1 | |
| 20 | 97313-06025-00 | BOLT | 2 | |
| 21 | 92990-06600-00 | WASHER, PLATE | 2 | |
| 22 | 6H4-41113-00-9M | OUTER COVER, EXHAUST | 1 | |
| 23 | 6H4-41111-00-9M | INNER COVER, EXHAUST | 1 | |
| 24 | 6H4-41114-A0-00 | GASKET, EXHAUST COVER | 2 | |
| 25 | 90445-09M37-00 | HOSE (L240) | 1 | |
| 26 | 90467-08004-00 | CLIP | 1 | |
| 27 | 97013-06035-00 | BOLT | 14 | |
| 28 | 92990-06600-00 | WASHER, PLATE | 14 | |
| 29 | NGK-B8HS1-00-00 | PLUG, SPARK (NGK B8HS-10) | 3 | |

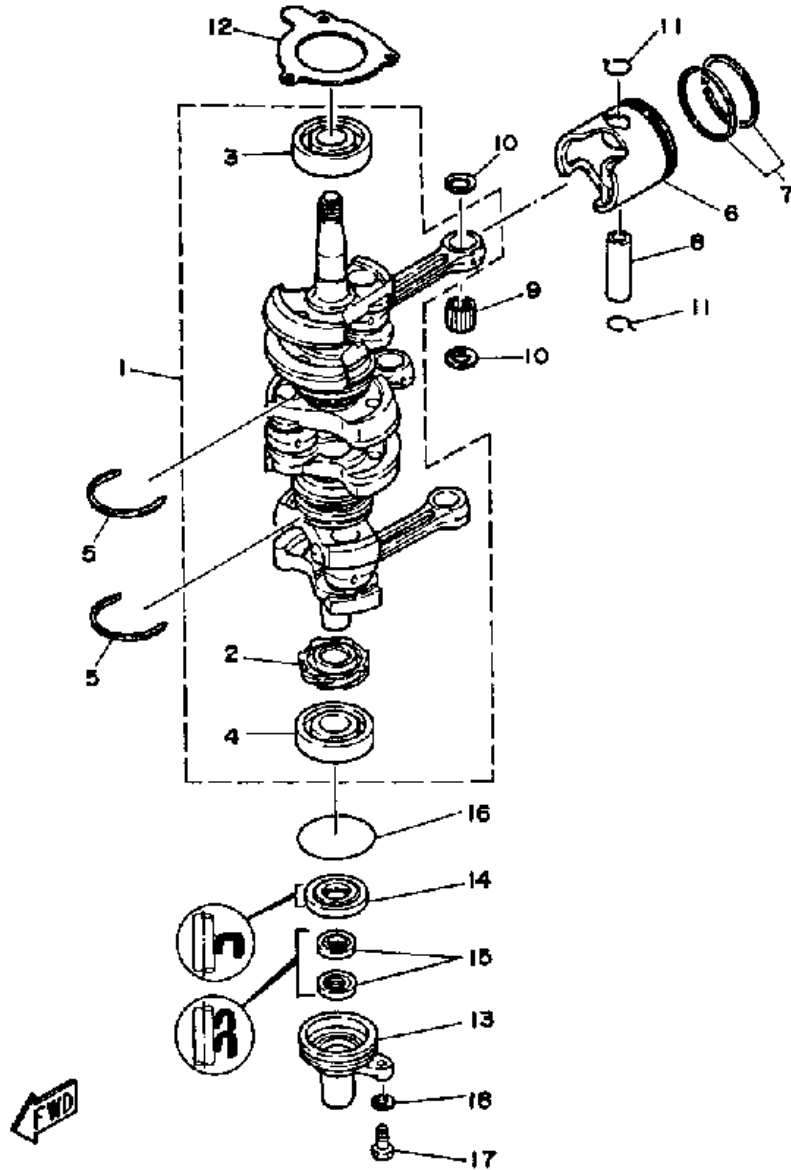
Part Notes

PRO50LF 1989 / CRANKCASE CYLINDER

| PART NUMBER | NOTE TEXT |
|--|--|
| 92990-06600-00  | OEM: This part number is among the Top 100 Most Popular Marine Maintenance Parts as of March 2014. |
| 92990-06600-00  | OEM: This part number is among the Top 100 Most Popular Marine Maintenance Parts as of March 2014. |

©2014 Yamaha Motor Corporation, U.S.A. All rights reserved.

PRO50LF 1989 / CRANK PISTON



©2014 Yamaha Motor Corporation, U.S.A. All rights reserved.



Part List

PRO50LF 1989 / CRANK PISTON

| REF - NO | PART NUMBER | PART NAME | QUANTITY | REMARKS |
|----------------|-----------------|---------------------------------|----------|---------|
| 1 | 6H4-11400-14-00 | CRANKSHAFT ASSY | 1 | |
| 2 | 6H4-11536-00-00 | .GEAR, DRIVE | 1 | |
| 3 | 93306-305U8-00 | .BEARING | 1 | |
| 4 | 93306-305U8-00 | .BEARING | 1 | |
| 5 | 93440-62057-00 | CIRCLIP, OUTER | 2 | |
| 6 | 6H4-11636-01-00 | PISTON (0.50MM O/S) | 3 | AP |
| 6 | 6H4-11631-01-95 | PISTON (STD) | 3 | |
| 7 | 6H4-11601-20-00 | PISTON RING SET (0.50MM O/S) | 3 | AP |
| 7 | 6H4-11601-00-00 | PISTON RING SET (STD) | 3 | |
| 8 | 648-11633-00-00 | PIN, PISTON | 3 | |
| 9 | 93602-20M02-00 | PIN, DOWEL | 93 | |
| 10 | 6H4-11641-00-00 | WASHER, PISTON PIN | 6 | |
| 11 | 6H4-11634-01-00 | CLIP, PISTON PIN | 6 | |
| 12 | 6H4-15369-A1-00 | GASKET, OIL SEAL HOUSING | 1 | |
| 13 | 6H4-15396-02-5B | HOUSING, OIL SEAL | 1 | |
| 14 | 93102-25M28-00 | OIL SEAL | 1 | |
| 15 | 93101-16M36-00 | OIL SEAL | 2 | |
| 16 | 93210-57M09-00 | .O-RING | 1 | |
| 17 | 97313-06020-00 | BOLT, HEXAGON | 1 | |
| 18 | 92990-06600-00 | WASHER, PLATE | 1 | |

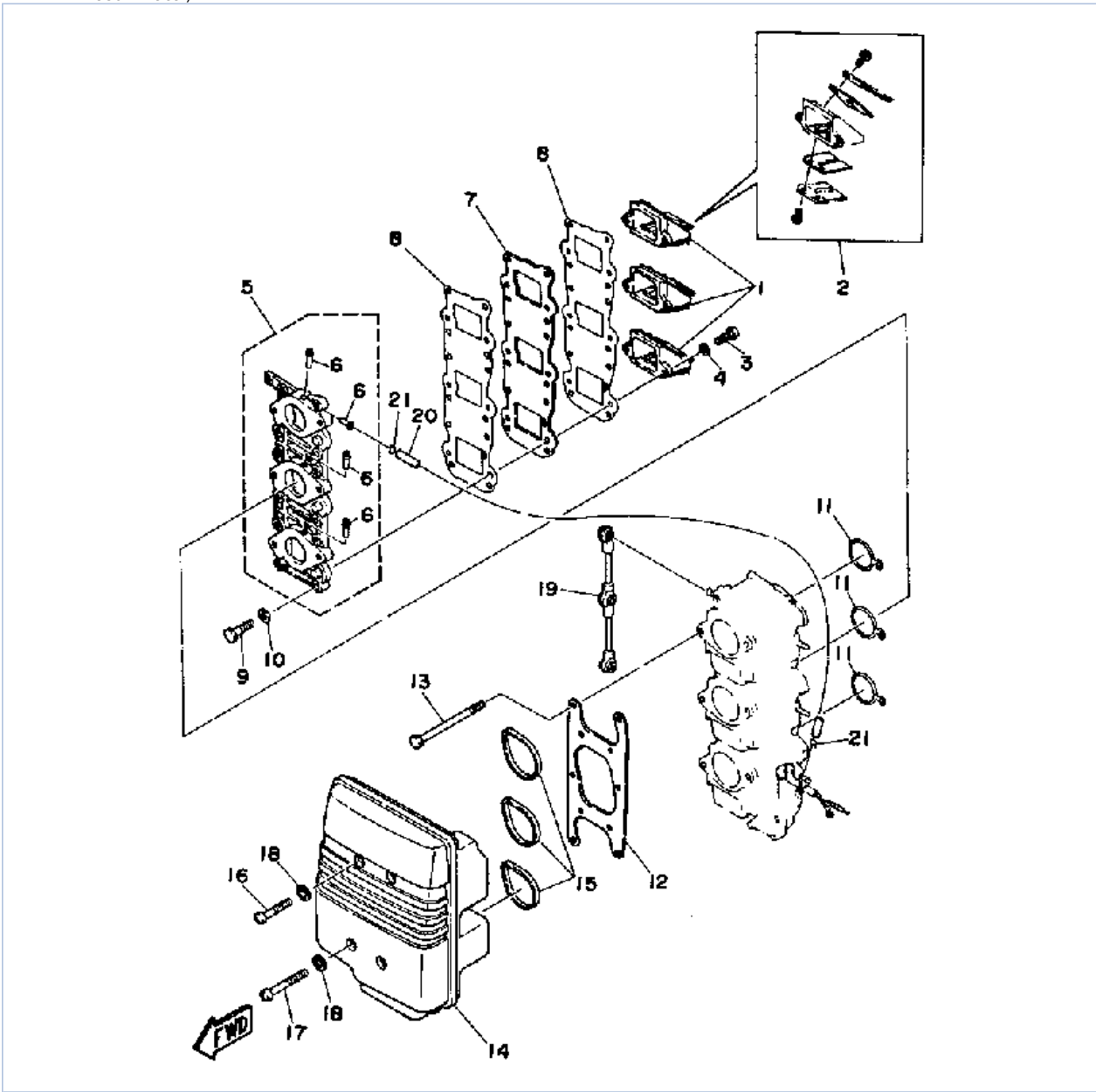
Part Notes

PRO50LF 1989 / CRANK PISTON

| PART NUMBER | NOTE TEXT |
|--|--|
| 93602-20M02-00  | OEM: This part number is among the Top 100 Most Popular Marine Maintenance Parts as of March 2014. |
| 92990-06600-00  | OEM: This part number is among the Top 100 Most Popular Marine Maintenance Parts as of March 2014. |

©2014 Yamaha Motor Corporation, U.S.A. All rights reserved.

PRO50LF 1989 / INTAKE



©2014 Yamaha Motor Corporation, U.S.A. All rights reserved.


Part List

PRO50LF 1989 / INTAKE

| REF - NO | PART NUMBER | PART NAME | QUANTITY | REMARKS |
|----------------|-----------------|--------------------|----------|---------|
| 1 | 6H5-13610-00-00 | REED VALVE ASSY | 3 | |
| 2 | 6H4-W0004-00-00 | .REED SET | 1 | |
| 3 | 98580-05016-00 | SCREW, PAN HEAD | 6 | |
| 4 | 92990-05600-00 | WASHER, PLATE | 6 | |
| 5 | 6H4-13641-12-94 | MANIFOLD 1 | 1 | |
| 6 | 6H1-14485-00-00 | .PIPE, JOINT | 4 | |
| 7 | 6H4-13624-01-94 | PLATE, REED VALVE | 1 | |
| 8 | 6H4-13621-A1-00 | GASKET, VALVE SEAT | 2 | |
| 9 | 97313-06020-00 | BOLT, HEXAGON | 12 | |
| 10 | 92990-06600-00 | WASHER, PLATE | 12 | |
| 11 | 6H4-14198-01-00 | .GASKET | 3 | |
| 12 | 6H4-14406-00-00 | HINGE | 1 | |
| 13 | 97313-06095-00 | BOLT, HEXAGON | 6 | |
| 14 | 6H4-14431-01-00 | SILENCER, INTAKE 1 | 1 | |
| 15 | 6H3-14457-01-00 | SEAL | 3 | |
| 16 | 98580-06040-00 | SCREW, PAN HEAD | 2 | |
| 17 | 98580-06055-00 | SCREW, PANHEAD | 2 | |
| 18 | 90209-06M05-00 | WASHER | 4 | |
| 19 | 6H4-41217-01-00 | ROD, ACCEL. LEVER | 1 | |
| 20 | 90445-07M24-00 | HOSE (L240) | 1 | |
| 21 | 90467-06016-00 | CLIP | 2 | |

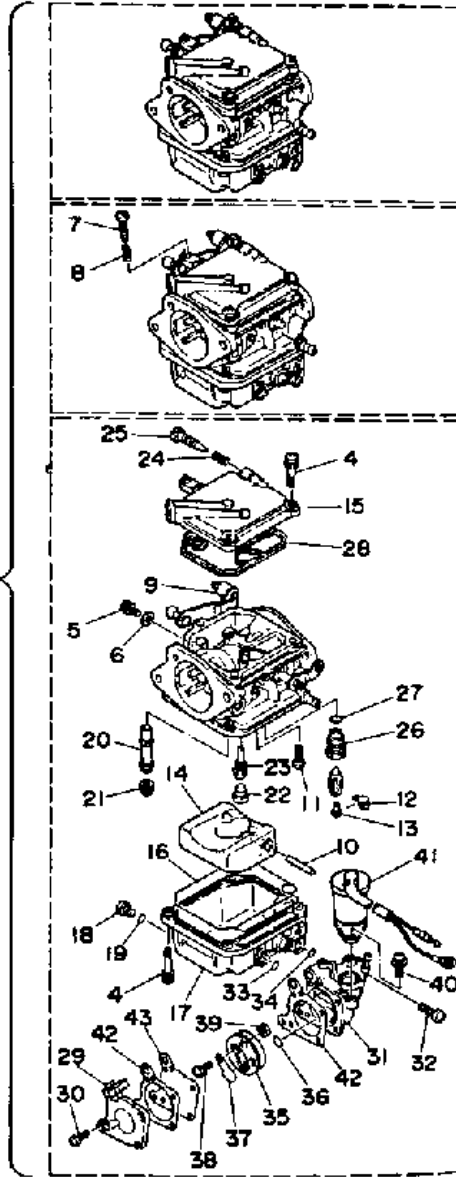
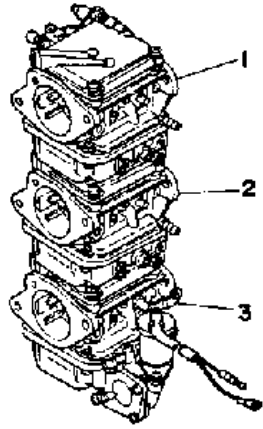
Part Notes

PRO50LF 1989 / INTAKE

| PART NUMBER | NOTE TEXT |
|--|--|
| 92990-06600-00  | OEM: This part number is among the Top 100 Most Popular Marine Maintenance Parts as of March 2014. |

©2014 Yamaha Motor Corporation, U.S.A. All rights reserved.

PRO50LF 1989 / CARBURETOR



©2014 Yamaha Motor Corporation, U.S.A. All rights reserved.

Part List

PRO50LF 1989 / CARBURETOR

| REF - NO | PART NUMBER | PART NAME | QUANTITY | REMARKS |
|----------------|-----------------|------------------------------|----------|------------------|
| 1 | 6H5-14301-11-00 | CARBURETOR ASSEMBLY 1 | 1 | |
| 2 | 6H5-14302-11-00 | CARBURETOR ASSEMBLY 2 | 1 | |
| 3 | 6H5-14303-10-00 | CARBURETOR (LOWER) | 1 | |
| 4 | 97980-04114-00 | .SCREW, WITH WASHER | 21 | |
| 5 | 663-14592-00-00 | .SCREW | 3 | |
| 6 | 90201-05652-00 | .WASHER, PLATE | 3 | |
| 7 | 663-14523-00-00 | .SCREW, STOP | 1 | CENTER |
| 8 | 90501-10326-00 | .SPRING, COMPRESSION | 1 | CENTER |
| 9 | 6H2-14578-00-00 | .COLLAR | 1 | LOWER |
| 10 | 6H4-14548-00-00 | .PIN, FLOAT ARM | 3 | |
| 11 | 98580-04008-00 | .SCREW, PAN HEAD | 3 | |
| 12 | 663-14159-00-00 | .CLIP | 3 | |
| 13 | 676-14186-00-00 | .PIN, FLOAT | 3 | |
| 14 | 6H4-14985-00-00 | .FLOAT | 3 | |
| 15 | 6H4-14146-00-00 | .PLATE | 3 | |
| 16 | 6H4-14984-00-00 | .GASKET, FLOAT CHAMBER | 3 | |
| 17 | 6H4-14980-00-00 | .BODY, FLOAT CHAMBER | 2 | UR UPPER/ CENTER |
| 17 | 6H4-14980-10-00 | .BODY, FLOAT CHAMBER | 1 | UR LOWER |
| 18 | 6H3-14992-00-00 | .SCREW, DRAIN | 3 | |
| 19 | 93210-04230-00 | .O-RING | 3 | |
| 20 | 6H5-14947-07-00 | .JET, NEEDLE | 3 | |
| 21 | 676-14943-34-00 | .JET, MAIN (135) | 3 | |
| 22 | 676-14966-00-00 | .CAP | 3 | |
| 23 | 6H4-14948-12-00 | .JET (#62) | 3 | |
| 24 | 679-14555-00-00 | .SPRING | 3 | |
| 25 | 692-14923-00-00 | .SCREW, PILOT | 3 | |
| 26 | 6H3-14590-00-00 | .NEEDLE VALVE ASSEMBLY | 3 | |
| 27 | 93210-04228-00 | .O-RING | 3 | |
| 28 | 6H4-14147-00-00 | .O-RING | 3 | |
| 29 | 6H4-24452-00-00 | .COVER | 1 | LOWER |
| 30 | 97680-03108-00 | .SCREW, PAN HEAD W/WASHER | 4 | LOWER |
| 31 | 6H4-24412-00-00 | .BODY 1 | 1 | LOWER |
| 32 | 6H4-14592-00-00 | .SCREW | 2 | LOWER |
| 33 | 6H4-14561-00-00 | .O-RING | 1 | LOWER |
| 34 | 6H4-14562-00-00 | .O-RING | 1 | LOWER |
| 35 | 6H4-24413-00-00 | .BODY 2 | 1 | LOWER |
| 36 | 6H4-24486-00-00 | .O-RING | 1 | LOWER |
| 37 | 6L5-24421-00-00 | .VALVE, CHECK | 2 | LOWER |
| 38 | 98902-03006-00 | .SCREW, BIND | 2 | LOWER |
| 39 | 90179-03478-00 | .NUT, SPECIAL SHAPE 0 2 | 2 | LOWER |
| 40 | 97980-05310-00 | .SCREW, WITH WASHER | 2 | LOWER |
| 41 | 6H4-86120-00-00 | .SOLENOID VALVE ASSEMBLY | 1 | LOWER |
| 42 | 6H5-24434-00-00 | .GASKET, BODY | 2 | LOWER |
| 43 | 6H4-24411-00-00 | .DIAPHRAGM | 1 | LOWER |




Part List

PRO50LF 1989 / FUEL SYSTEM

| REF - NO | PART NUMBER | PART NAME | QUANTITY | REMARKS |
|----------------|-----------------|-------------------------|----------|---------|
| 1 | 6G1-24304-02-00 | FUEL PIPE JOINT COMP. 1 | 1 | |
| 2 | 97313-06025-00 | BOLT | 1 | |
| 3 | 92990-06600-00 | WASHER, PLATE | 1 | |
| 4 | 90467-08004-00 | CLIP | 2 | |
| 5 | 655-24560-01-00 | FILTER ASSEMBLY | 1 | |
| 6 | 6F5-24563-00-00 | .ELEMENT, FILTER | 1 | |
| 7 | 93210-37M25-00 | .O-RING | 1 | |
| 8 | 655-24521-01-00 | .CUP, FILTER | 1 | |
| 9 | 6H4-24566-01-00 | BRACKET, FILTER | 1 | |
| 10 | 97013-06012-00 | BOLT | 1 | |
| 11 | 95333-08600-00 | NUT | 1 | |
| 12 | 6H4-24314-00-00 | PIPE 4 | 1 | |
| 13 | 90467-08004-00 | CLIP | 2 | |
| 14 | 6A0-24410-05-00 | FUEL PUMP ASSEMBLY | 1 | |
| 15 | 648-24411-00-00 | .DIAPHRAGM | 1 | |
| 16 | 648-24424-00-00 | .SEAT, SPRING | 1 | |
| 17 | 648-24423-00-00 | .SPRING, DIAPHRAGM | 1 | |
| 18 | 648-24434-01-00 | .GASKET, BODY | 1 | |
| 19 | 6A0-24421-01-00 | .VALVE, CHECK | 2 | |
| 20 | 90147-03M00-00 | .SCREW, PAN HEAD | 2 | |
| 21 | 98813-03100-00 | .NUT | 2 | |
| 22 | 648-24435-02-00 | .GASKET, BODY 2 | 1 | |
| 23 | 663-24411-00-00 | .DIAPHRAGM | 1 | |
| 24 | 6A0-24413-00-00 | .BODY 2 | 1 | |
| 25 | 98580-05530-00 | .SCREW, PAN HEAD | 3 | |
| 26 | 92990-05100-00 | .WASHER, SPRING | 3 | |
| 27 | 650-24431-A0-00 | GASKET, FUEL PUMP 1 | 1 | |
| 28 | 97313-06040-00 | BOLT, HEXAGON | 2 | |
| 29 | 92990-06600-00 | WASHER, PLATE | 2 | |
| 30 | 90445-09063-00 | HOSE (L80) | 1 | |
| 31 | 688-24378-00-00 | PIPE, JOINT 3 | 2 | |
| 32 | 90445-09057-00 | HOSE (L43) | 2 | |
| 33 | 6H4-24313-00-00 | PIPE 3 | 1 | |
| 34 | 6H4-24312-00-00 | PIPE 2 | 1 | |
| 35 | 90467-08004-00 | CLIP | 10 | |
| 36 | 6H4-24311-00-00 | PIPE, FUEL 1 | 1 | |
| 37 | 90464-16039-00 | CLAMP | 3 | |

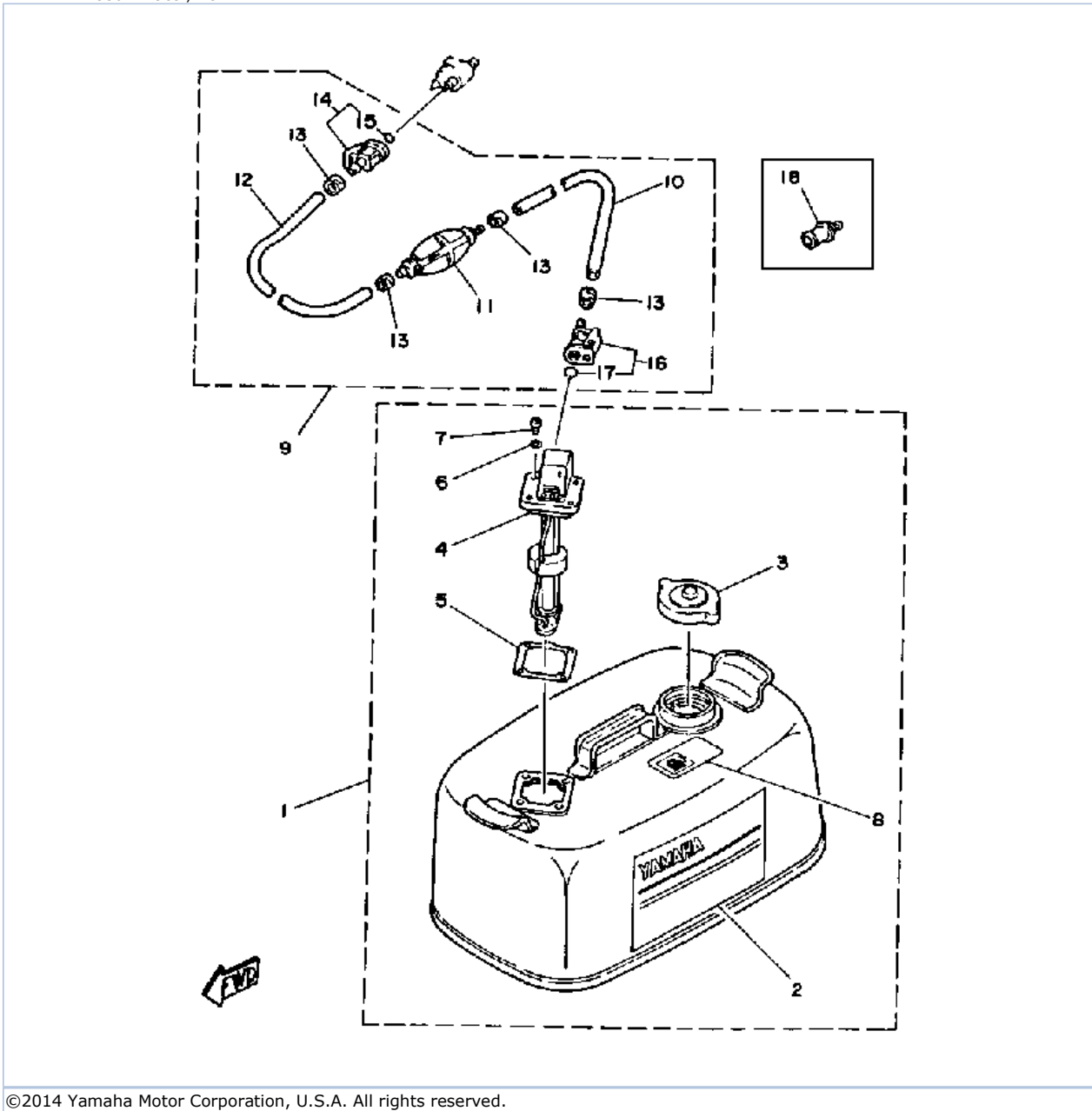
Part Notes

PRO50LF 1989 / FUEL SYSTEM

| PART NUMBER | NOTE TEXT |
|---|--|
| 92990-06600-00  | OEM: This part number is among the Top 100 Most Popular Marine Maintenance Parts as of March 2014. |
| 650-24431-A0-00  | OEM: This part number is among the Top 100 Most Popular Marine Maintenance Parts as of March 2014. |
| 92990-06600-00  | OEM: This part number is among the Top 100 Most Popular Marine Maintenance Parts as of March 2014. |

©2014 Yamaha Motor Corporation, U.S.A. All rights reserved.

PRO50LF 1989 / FUEL TANK



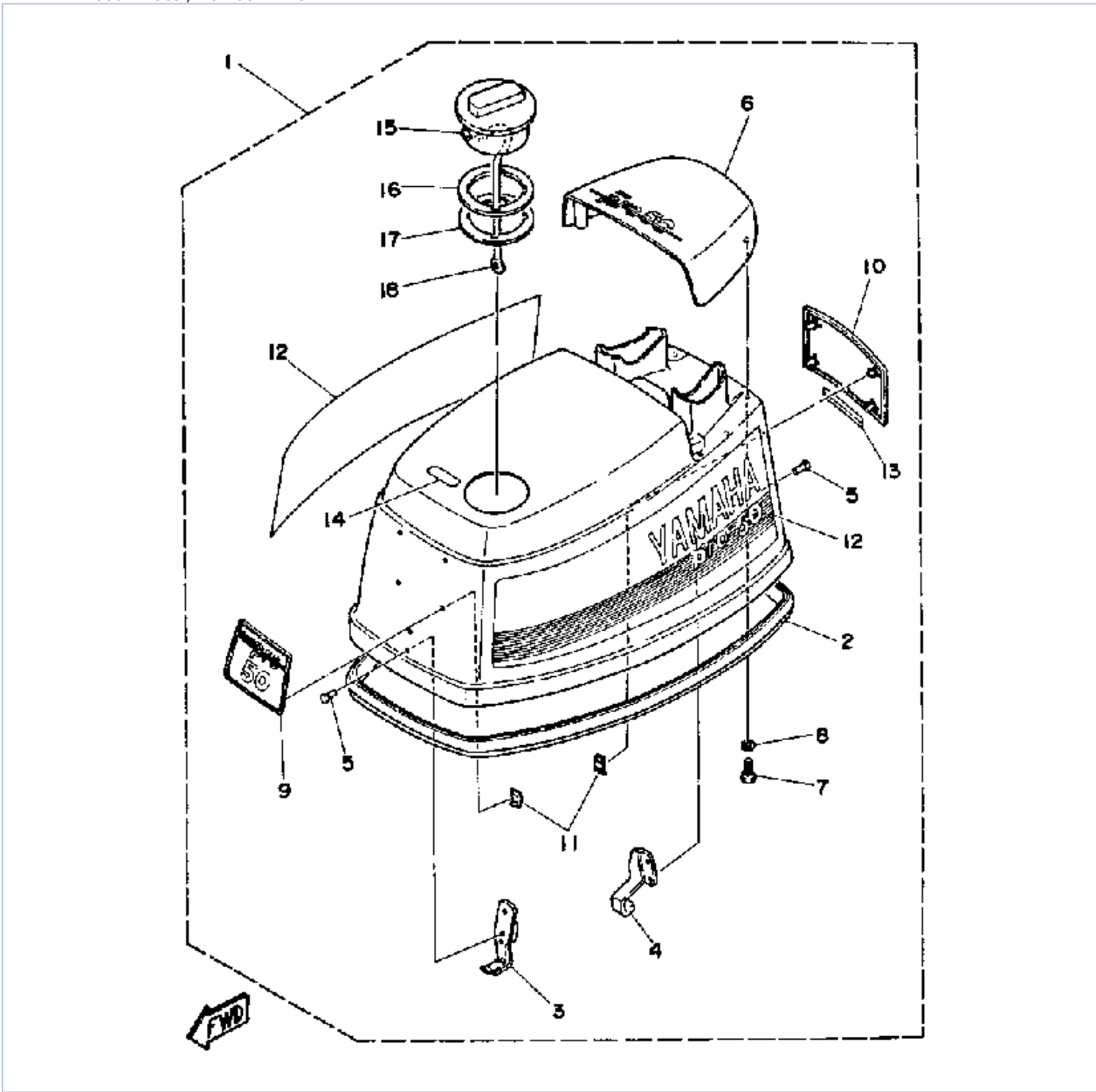
©2014 Yamaha Motor Corporation, U.S.A. All rights reserved.

Part List

PRO50LF 1989 / FUEL TANK

| REF - NO | PART NUMBER | PART NAME | QUANTITY | REMARKS |
|----------------|-----------------|-------------------------|----------|---------|
| 1 | 6Y1-W2420-42-24 | FUEL TANK ASSEMBLY | 1 | |
| 2 | 6Y1-24244-20-00 | .GRAPHIC, SIDE | 1 | |
| 3 | 6Y1-24610-00-00 | .CAP ASSEMBLY | 1 | |
| 4 | 6Y1-24260-02-00 | .FUEL METER ASSEMBLY | 1 | |
| 5 | 6Y1-24268-00-00 | .GASKET, FUEL METER | 1 | |
| 6 | 6Y1-24329-00-00 | .SEAL | 4 | |
| 7 | 98586-05016-00 | .SCREW, PAN HEAD | 4 | |
| 8 | 6Y1-24256-50-00 | .GRAPHIC, FUEL TANK | 1 | |
| 9 | 6Y1-24306-51-00 | FUEL PIPE COMP. 1 | 1 | |
| 10 | 90445-11M06-00 | .HOSE (L2050) | 1 | |
| 11 | 6Y1-24360-51-00 | .PRIMER PUMP ASSY | 1 | |
| 12 | 90445-11M05-00 | .HOSE (L850) | 1 | |
| 13 | 650-24351-51-00 | .BAND 1 | 4 | |
| 14 | 6G1-24305-01-00 | .FUEL PIPE JOINT COMP 2 | 1 | |
| 15 | 93210-08287-00 | ..O-RING | 1 | |
| 16 | 6Y1-24305-02-00 | .FUEL PIPE JOINT COMP 2 | 1 | |
| 17 | 93210-08287-00 | ..O-RING | 1 | |
| 18 | ABB-FLUSH-JD-00 | JET DRIVE FLUSH | 1 | |

PRO50LF 1989 / TOP COWLING



©2014 Yamaha Motor Corporation, U.S.A. All rights reserved.


Part List

PRO50LF 1989 / TOP COWLING

| REF - NO | PART NUMBER | PART NAME | QUANTITY | REMARKS |
|----------------|-----------------|----------------------|----------|---------|
| 1 | 6H5-42610-Y1-EK | TOP COWLING ASSEMBLY | 1 | |
| 2 | 6H4-42615-00-00 | .SEAL | 1 | |
| 3 | 6H4-42651-00-00 | .HOOK | 1 | |
| 4 | 6H4-42652-00-00 | .HOOK | 1 | |
| 5 | 90266-04M01-00 | .RIVET | 4 | |
| 6 | 6H4-42613-10-EK | .MOLDING, AIR DUCT | 1 | |
| 7 | 97313-06016-00 | .BOLT, HEXAGON | 4 | |
| 8 | 92990-06600-00 | .WASHER, PLATE | 4 | |
| 9 | 6H5-42686-Y0-00 | .EMBLEM, FRONT | 1 | |
| 10 | 6H5-42687-Y0-00 | .EMBLEM, REAR | 1 | |
| 11 | 90183-05M01-00 | .NUT, SPRING | 9 | |
| 12 | 6H5-W0070-Y0-00 | .GRAPHIC SET | 1 | |
| 13 | 6H5-42683-Y0-00 | MARK, COWLING 3 | 1 | |
| 14 | 6H4-13436-40-00 | .MARK | 1 | |
| 15 | 6H1-2177H-01-00 | .DISK CAP 2 | 1 | |
| 16 | 6H3-21732-00-00 | .SEAL 1 | 1 | |
| 17 | 6H3-21735-00-00 | .SEAL 2 | 1 | |
| 18 | 6H1-42694-00-00 | .BAND | 1 | |

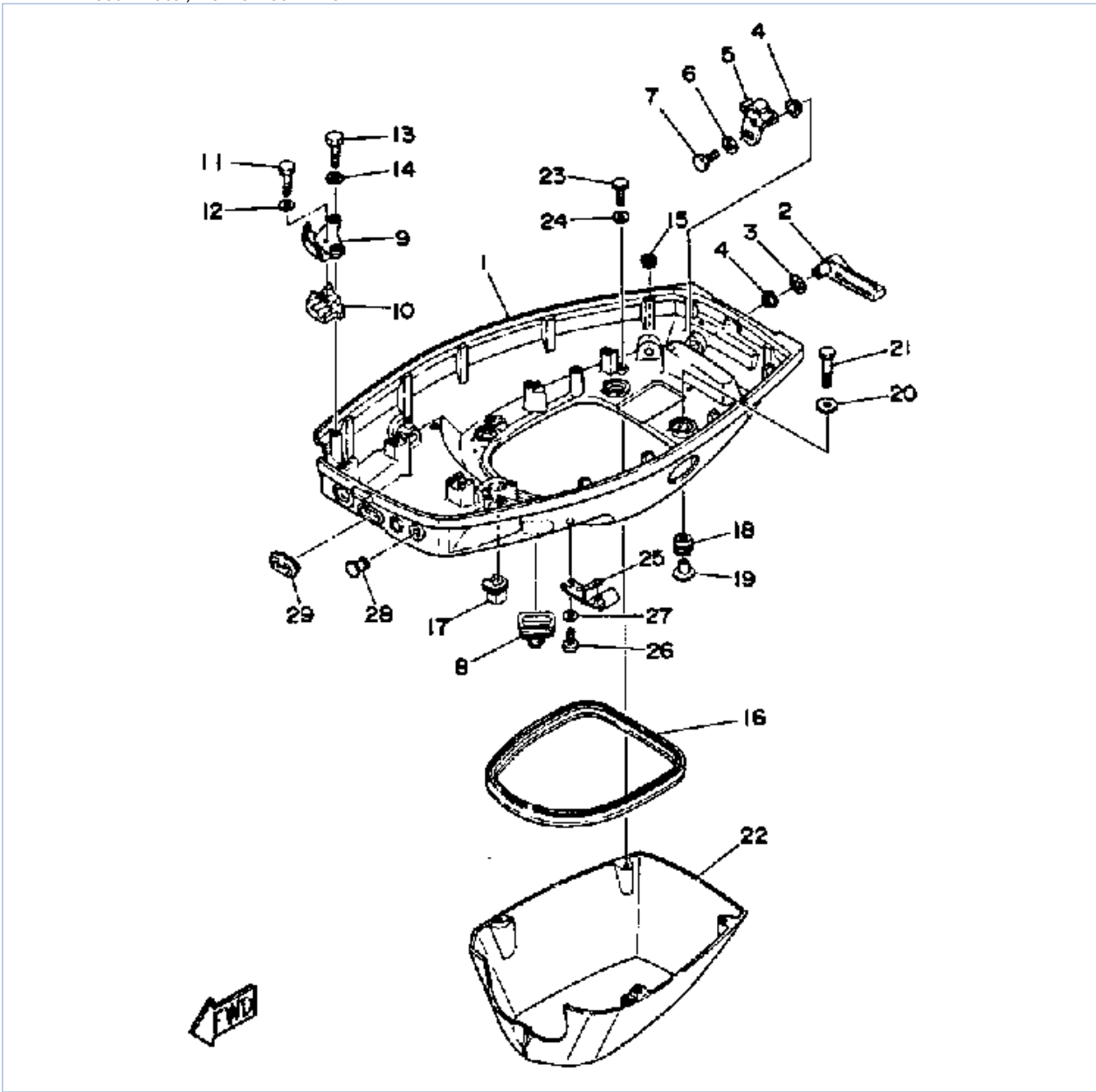
Part Notes

PRO50LF 1989 / TOP COWLING

| PART NUMBER | NOTE TEXT |
|--|--|
| 92990-06600-00  | OEM: This part number is among the Top 100 Most Popular Marine Maintenance Parts as of March 2014. |

©2014 Yamaha Motor Corporation, U.S.A. All rights reserved.

PRO50LF 1989 / BOTTOM COWLING



©2014 Yamaha Motor Corporation, U.S.A. All rights reserved.




Part List

PRO50LF 1989 / BOTTOM COWLING

| REF - NO | PART NUMBER | PART NAME | QUANTITY | REMARKS |
|----------|-----------------|---------------------------|----------|---------|
| 1 | 6H4-42711-23-EK | COWLING BOTTOM | 1 | |
| 2 | 6H4-42815-00-00 | LEVER, CLAMP | 1 | |
| 3 | 90206-12052-00 | WASHER, WAVE | 1 | |
| 4 | 90386-12069-00 | BUSH | 2 | |
| 5 | 6H4-42816-00-00 | LEVER, CLAMP | 1 | |
| 6 | 90201-06M02-00 | WASHER, PLATE | 1 | |
| 7 | 97313-06010-00 | BOLT, HEXAGON | 1 | |
| 8 | 688-42726-10-00 | GROMMET | 1 | |
| 9 | 6H4-48531-10-94 | BRACKET, REMOTE CONTROL 1 | 1 | |
| 10 | 6H4-48532-10-94 | BRACKET, REMOTE CONTROL 2 | 1 | |
| 11 | 97313-05016-00 | BOLT, HEXAGON | 1 | |
| 12 | 92990-05600-00 | WASHER, PLATE | 1 | |
| 13 | 97313-06020-00 | BOLT, HEXAGON | 2 | |
| 14 | 92990-06600-00 | WASHER, PLATE | 2 | |
| 15 | 6E5-44391-00-00 | NIPPLE, HOSE | 1 | |
| 16 | 6H4-42716-00-00 | RUBBER, SEAL 1 | 1 | |
| 17 | 682-42727-00-00 | GROMMET | 1 | |
| 18 | 90480-09M21-00 | GROMMET | 4 | |
| 19 | 90387-06M41-00 | COLLAR | 4 | |
| 20 | 90201-06416-00 | WASHER, PLATE | 4 | |
| 21 | 97313-06030-00 | BOLT | 4 | |
| 22 | 6H4-42741-00-00 | APRON 1 | 1 | |
| 23 | 97313-06016-00 | BOLT, HEXAGON | 4 | |
| 24 | 92990-06600-00 | WASHER, PLATE | 4 | |
| 25 | 6E5-24367-01-00 | CLAMP, FUEL PIPE 2 | 1 | |
| 26 | 90157-06M01-00 | SCREW, PAN HEAD | 1 | |
| 27 | 92990-06600-00 | WASHER, PLATE | 1 | |
| 28 | 6G1-42748-00-00 | GROMMET | 1 | |
| 29 | 6H3-42727-00-00 | GROMMET | 1 | |

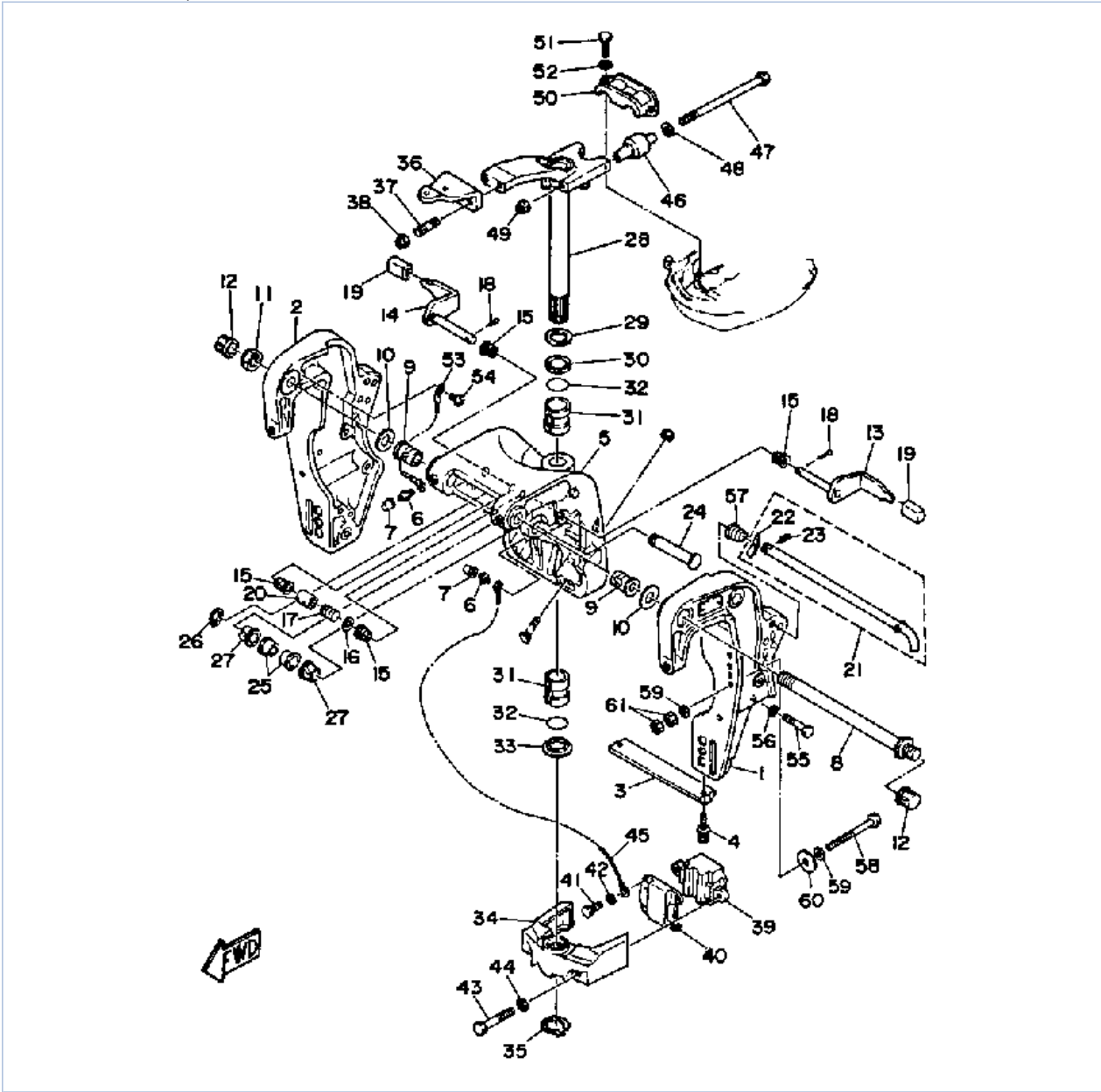
Part Notes

PRO50LF 1989 / BOTTOM COWLING

| PART NUMBER | | NOTE TEXT |
|----------------|---|--|
| 92990-06600-00 |  | OEM: This part number is among the Top 100 Most Popular Marine Maintenance Parts as of March 2014. |
| 92990-06600-00 |  | OEM: This part number is among the Top 100 Most Popular Marine Maintenance Parts as of March 2014. |
| 92990-06600-00 |  | OEM: This part number is among the Top 100 Most Popular Marine Maintenance Parts as of March 2014. |

©2014 Yamaha Motor Corporation, U.S.A. All rights reserved.

PRO50LF 1989 / BRACKET 1



©2014 Yamaha Motor Corporation, U.S.A. All rights reserved.

Part List



PRO50LF 1989 / BRACKET 1

| REF - NO | PART NUMBER | PART NAME | QUANTITY | REMARKS |
|----------------|-----------------|------------------------------|----------|----------|
| 1 | 697-43111-04-EK | BRACKET, CLAMP | 1 | |
| 2 | 697-43112-03-EK | BRACKET, CLAMP | 1 | |
| 3 | 6H1-45251-01-00 | ANODE | 1 | |
| 4 | 90119-06M52-00 | BOLT | 2 | |
| 5 | 697-43311-03-EK | BRACKET, SWIVEL 1 | 1 | |
| 6 | 93700-06M03-00 | NIPPLE, GREASE | 3 | |
| 7 | 663-45119-00-00 | CAP, GREASE NIPPLE | 3 | |
| 8 | 688-43131-03-00 | BOLT, CLAMP BRACKET | 1 | |
| 9 | 90386-22M15-00 | BUSH | 2 | |
| 10 | 90201-22M67-00 | WASHER, PLATE | 2 | |
| 11 | 90185-22043-00 | NUT, SELF-LOCKING | 1 | |
| 12 | 6G5-43145-00-00 | CAP, CLAMP BRACKET | 2 | |
| 13 | 688-43181-04-00 | LEVER, TILT STOP | 1 | |
| 14 | 688-43185-04-00 | LEVER, TILT STOP | 1 | |
| 15 | 90386-10M16-00 | BUSH | 4 | |
| 16 | 92990-10600-00 | WASHER, PLATE | 1 | |
| 17 | 90501-10M21-00 | SPRING, COMPRESSION | 1 | |
| 18 | 91490-30040-00 | PIN, COTTER | 2 | |
| 19 | 663-43318-00-00 | COVER | 2 | |
| 20 | 90387-10M38-00 | COLLAR | 1 | |
| 21 | 697-43160-00-00 | TILT ROD ASSEMBLY | 1 | |
| 22 | 688-43165-00-00 | .PLATE, TILT LOCK | 1 | |
| 23 | 91690-30012-00 | .PIN, SPRING | 1 | |
| 24 | 6E5-43126-02-00 | PIN, UPPER SHOCK MOUNT | 1 | |
| 25 | 90386-18M63-00 | BUSH | 2 | |
| 26 | 93410-18M02-00 | CIRCLIP | 1 | |
| 27 | 90386-18M35-00 | BUSH | 2 | |
| 28 | 6H4-42510-02-EK | STEERING BRACKET ASSEMBLY | 1 | |
| 29 | 90201-30M00-00 | WASHER, PLATE | 1 | |
| 30 | 90386-30M78-00 | BUSH | 1 | |
| 31 | 90386-30M77-00 | BUSH | 2 | |
| 32 | 93210-29M94-00 | O-RING | 2 | |
| 33 | 90386-30M60-00 | BUSH | 1 | |
| 34 | 6H4-44551-01-EK | HOUSING, LOWER MOUNT | 1 | |
| 35 | 93410-28M06-00 | CIRCLIP | 1 | |
| 36 | 6H5-48511-51-EK | HOOK STEERING | 1 | |
| 37 | 90116-10175-00 | BOLT, STUD | 2 | |
| 38 | 90185-10051-00 | NUT, SELF-LOCKING | 2 | |
| 39 | 6H4-44557-00-00 | MOUNT DAMPER, LOWER FRONT | 1 | UR SHORT |
| 39 | 6H4-44557-10-00 | MOUNT DAMPER, LOWER FRONT | 1 | UR LONG |
| 40 | 6H4-44553-01-00 | COVER, LOWER MOUNT | 1 | |
| 41 | 97395-08025-00 | BOLT | 4 | |
| 42 | 92990-08600-00 | ..WASHER, PLATE | 4 | |
| 43 | 97395-10060-00 | BOLT | 2 | |
| 44 | 92990-10600-00 | WASHER, PLATE | 2 | |
| 45 | 6H5-82117-00-00 | WIRE, LEAD | 1 | |
| 46 | 6H4-44514-00-00 | MOUNT DAMPER, UPPER SIDE | 2 | |
| 47 | 90101-08M86-00 | BOLT | 2 | |
| 48 | 90201-09425-00 | WASHER, PLATE | 2 | |
| 49 | 90185-08045-00 | NUT, SELF-LOCKING | 2 | |
| 50 | 6H4-44511-00-94 | COVER, UPPER MOUNT | 2 | |

| | | | | |
|----|-----------------|-----------------|---|--|
| 51 | 97090-08035-00 | BOLT | 3 | |
| 52 | 92990-08100-00 | WASHER, SPRING | 3 | |
| 53 | 6E5-82148-00-00 | WIRE, LEAD 4 | 1 | |
| 54 | 98580-06012-00 | SCREW, PAN HEAD | 1 | |
| 55 | 97395-10045-00 | BOLT | 6 | |
| 56 | 92990-10100-00 | WASHER, SPRING | 6 | |
| 57 | 90502-20M03-00 | SPRING, CONICAL | 1 | |
| 58 | 90101-12M65-00 | BOLT | 4 | |
| 59 | 92995-12200-00 | WASHER | 8 | |
| 60 | 90201-12426-00 | WASHER, PLATE | 4 | |
| 61 | 95380-12600-00 | NUT | 8 | |

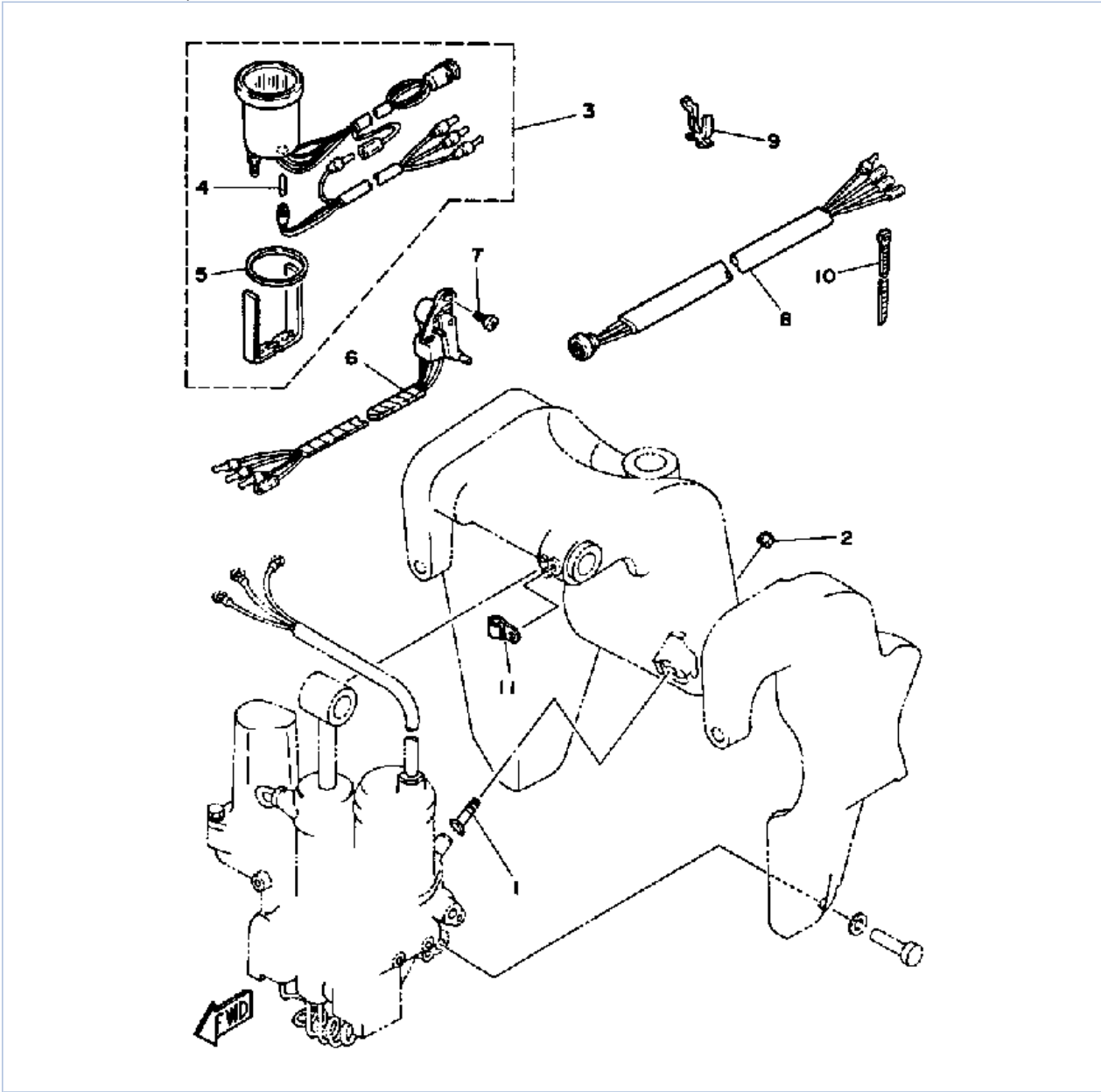
Part Notes

PRO50LF 1989 / BRACKET 1

| PART NUMBER | | NOTE TEXT |
|----------------|---|--|
| 92990-10600-00 |  | OEM: This part number is among the Top 100 Most Popular Marine Maintenance Parts as of March 2014. |
| 92990-10600-00 |  | OEM: This part number is among the Top 100 Most Popular Marine Maintenance Parts as of March 2014. |

©2014 Yamaha Motor Corporation, U.S.A. All rights reserved.

PRO50LF 1989 / BRACKET 2



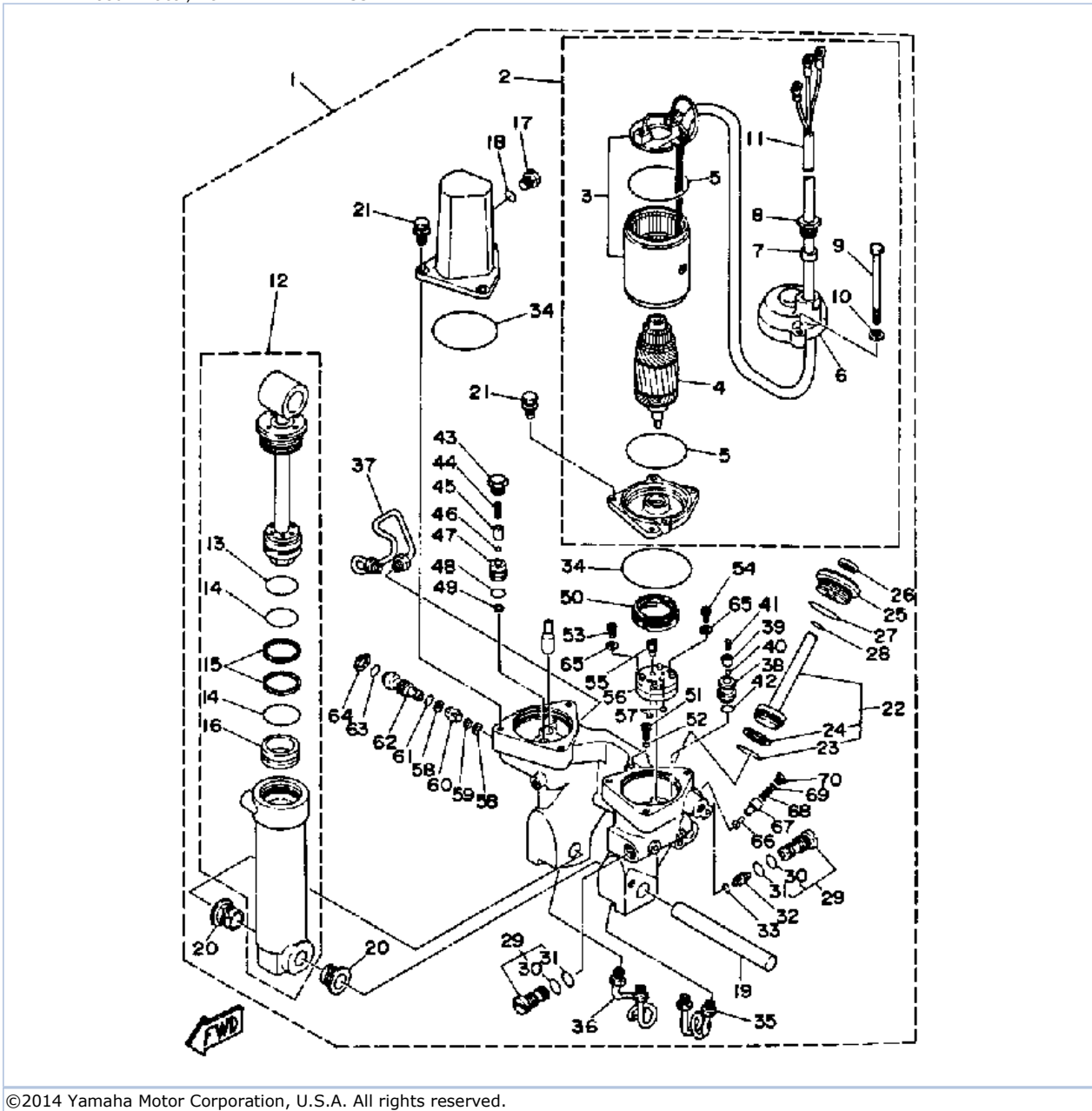
©2014 Yamaha Motor Corporation, U.S.A. All rights reserved.

Part List

PRO50LF 1989 / BRACKET 2

| REF - NO | PART NUMBER | PART NAME | QUANTITY | REMARKS |
|----------------|-----------------|-------------------------|----------|---------|
| 1 | 688-43376-01-00 | BOLT, THRUST RECEIVER | 2 | |
| 2 | 95780-08300-00 | ..NUT, FLANGE | 2 | |
| 3 | 6Y5-83670-01-00 | TRIM METER | 1 | |
| 4 | 6Y5-83518-00-00 | .BULB (12V-17W T65) | 1 | |
| 5 | 688-83664-00-00 | .DAMPER | 1 | |
| 6 | 6E5-83672-01-00 | TRIM SENDER | 1 | |
| 7 | 98580-06016-00 | SCREW, PAN HEAD | 2 | |
| 8 | 6E5-82553-10-00 | EXTENSION, WIRE HARNESS | 1 | |
| 9 | 90464-15M08-00 | CLAMP | 1 | |
| 10 | 90465-11M10-00 | CLAMP | 1 | |
| 11 | 90465-08028-00 | CLAMP | 1 | |

PRO50LF 1989 / POWER TRIM TILT ASSY



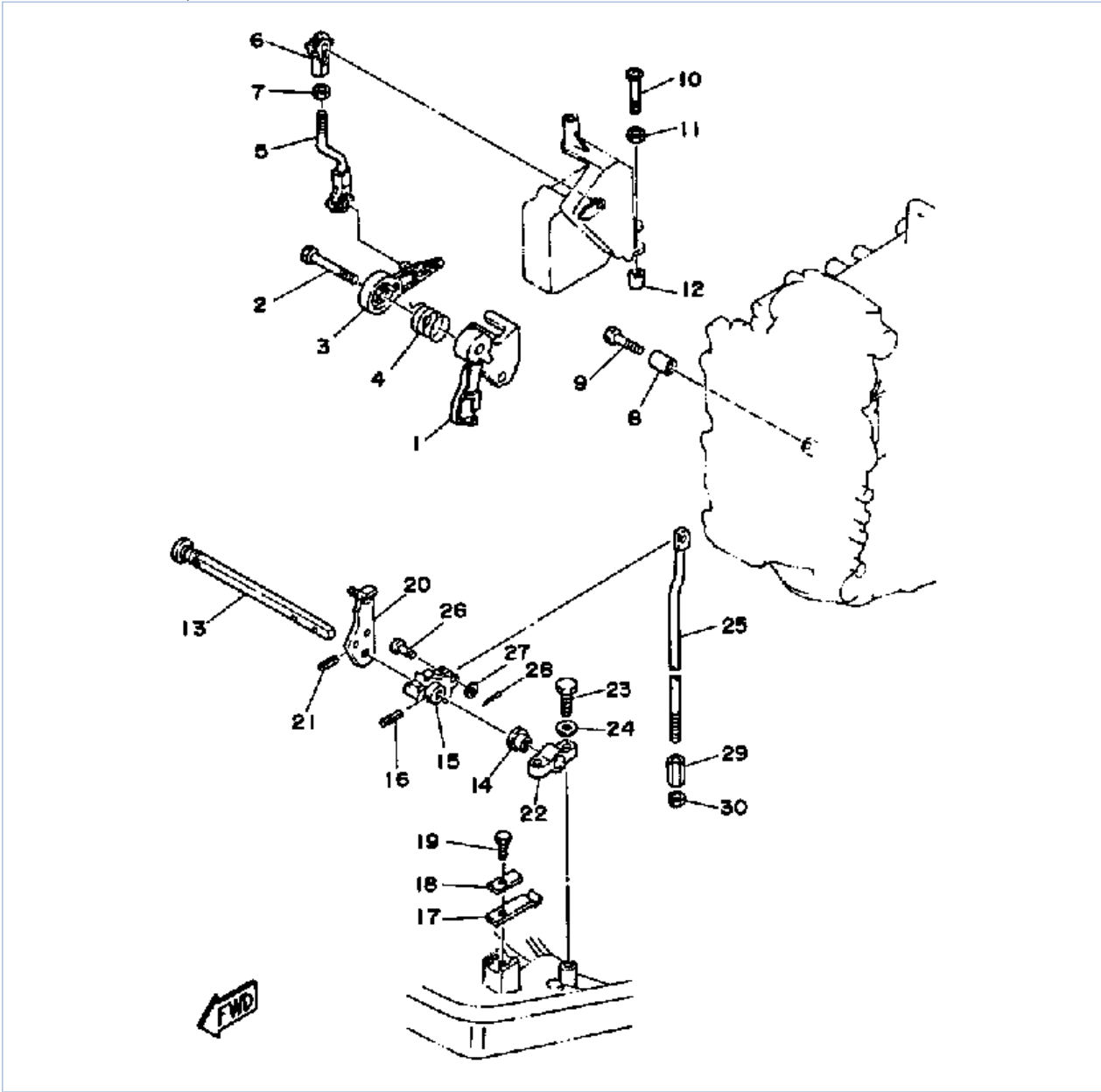
Part List

PRO50LF 1989 / POWER TRIM TILT ASSY

| REF - NO | PART NUMBER | PART NAME | QUANTITY | REMARKS |
|----------------|-----------------|------------------------------|----------|---------|
| 1 | 6H3-43800-04-EK | POWER TRIM TILT ASSY | 1 | |
| 2 | 688-43880-11-00 | .MOTOR ASSEMBLY | 1 | |
| 3 | 6E5-43804-00-00 | ..STATOR ASSEMBLY | 1 | |
| 4 | 6E5-43805-00-00 | ..ARMATURE ASSEMBLY | 1 | |
| 5 | 93210-71M76-00 | ..O-RING | 2 | |
| 6 | 6E5-43884-00-00 | ..FRAME, COMMUTATOR END | 1 | |
| 7 | 6E5-43885-00-00 | ..GROMMET | 1 | |
| 8 | 6E5-43886-00-00 | ..BOLT | 1 | |
| 9 | 6E5-43887-00-00 | ..BOLT | 2 | |
| 10 | 90201-05M01-00 | ..WASHER | 2 | |
| 11 | 688-43807-11-00 | ..WIRE SUB ASSEMBLY | 1 | |
| 12 | 697-4380E-01-00 | .TILT CYLINDER ASSEMBLY | 1 | |
| 13 | 6E5-43861-00-00 | ..O-RING | 1 | |
| 14 | 6E5-43862-00-00 | ..O-RING | 2 | |
| 15 | 6E5-43872-00-00 | ..RING, BACK UP | 2 | |
| 16 | 6E5-43814-01-00 | ..PISTON, FREE | 1 | |
| 17 | 6E5-43829-00-00 | .PLUG, RESERVOIR | 1 | |
| 18 | 6E5-43863-00-00 | .O-RING | 1 | |
| 19 | 6E5-43818-00-00 | .PIN, LOWER SHOCK MOUNT | 1 | |
| 20 | 90386-18M14-00 | .BUSH | 2 | |
| 21 | 90119-06M42-00 | .BOLT, WITH WASHER | 6 | |
| 22 | 6E5-43820-02-00 | .PISTON SUB ASSEMBLY | 2 | |
| 23 | 6E5-43864-00-00 | ..O-RING | 1 | |
| 24 | 6E5-43874-01-00 | ..RING, BACK UP | 1 | |
| 25 | 6E5-43821-01-00 | .SCREW, TRIM CYLINDER END | 2 | |
| 26 | 6E5-43822-01-00 | .SEAL, TRIM DUST | 2 | |
| 27 | 6E5-43862-00-00 | .O-RING | 2 | |
| 28 | 6E5-43865-00-00 | .O-RING | 2 | |
| 29 | 6E5-43802-00-00 | .VALVE SUB ASSEMBLY | 2 | |
| 30 | 6E5-43866-00-00 | ..O-RING | 1 | |
| 31 | 6E5-43867-00-00 | ..O-RING | 1 | |
| 32 | 6E5-43841-01-00 | .PISTON, SHUTTLE | 1 | |
| 33 | 6E5-43868-00-00 | .O-RING | 1 | |
| 34 | 6E5-43869-00-00 | .O-RING | 2 | |
| 35 | 6E5-43833-01-00 | .PIPE | 1 | |
| 36 | 6E5-43834-01-00 | .PIPE | 1 | |
| 37 | 6E5-43835-01-00 | .PIPE | 1 | |
| 38 | 6E5-43851-01-00 | .SEAT, RELIEF VALVE | 1 | |
| 39 | 6E5-43844-02-00 | .PIN, VALVE SUPPORT | 1 | |
| 40 | 6E5-43858-00-00 | .BALL | 1 | |
| 41 | 6E5-43856-00-00 | .SPRING, DOWN RELIEF | 1 | |
| 42 | 6E5-43883-00-00 | .O-RING | 1 | |
| 43 | 6E5-43843-00-00 | .SCREW, VALVE LOCK | 1 | |
| 44 | 6H3-43855-00-00 | .SPRING, UP RELIEF | 1 | |
| 45 | 6E5-43859-00-00 | .PIN, VALVE SUPPORT | 1 | |
| 46 | 6E5-43877-01-00 | .BALL | 1 | |
| 47 | 6E5-43895-00-00 | .O-RING | 1 | |
| 48 | 6E5-43896-00-00 | .O-RING | 1 | |
| 49 | 6E5-43816-10-00 | .FILTER 1 | 1 | |
| 50 | 6E5-43817-10-00 | .FILTER 2 | 1 | |
| 51 | 90109-06M21-00 | .BOLT | 1 | |
| 52 | 6E5-43897-00-00 | .O-RING | 1 | |
| 53 | 6E5-43878-01-00 | .BOLT, SOCKET | 2 | |

| | | | | |
|----|-----------------|-------------------------|---|--|
| 54 | 6E5-43888-01-00 | .BOLT, SOCKET | 1 | |
| 55 | 6E5-43831-00-00 | .CONNECTOR, SHAFT | 1 | |
| 56 | 6E5-43830-00-00 | .GEAR PUMP ASSEMBLY | 1 | |
| 57 | 93210-07M78-00 | .O-RING | 2 | |
| 58 | 6E5-43847-00-00 | .SEAT, MANUAL VALVE | 2 | |
| 59 | 6E5-43854-01-00 | .SPRING, MANUAL RELEASE | 1 | |
| 60 | 6E5-4382A-00-00 | .ADAPTER 1 | 1 | |
| 61 | 93210-10M74-00 | .O-RING | 1 | |
| 62 | 6E5-43845-01-00 | .SCREW, MANUAL RELEASE | 1 | |
| 63 | 93210-18M75-00 | .O-RING | 1 | |
| 64 | 6H1-43875-00-00 | .RING, SNAP | 1 | |
| 65 | 90201-05M00-00 | .WASHER, PLATE | 3 | |
| 66 | 6E5-4381A-00-00 | .SHAFT | 1 | |
| 67 | 6E5-43849-01-00 | .PIN, VALVE SUPPORT | 1 | |
| 68 | 6E5-43824-01-00 | .SPRING, COMPRESSION | 1 | |
| 69 | 93210-06M77-00 | .O-RING | 1 | |
| 70 | 6E5-43842-00-00 | .SCREW, VALVE SEAT | 1 | |

PRO50LF 1989 / CONTROL ENGINE



©2014 Yamaha Motor Corporation, U.S.A. All rights reserved.


Part List

PRO50LF 1989 / CONTROL ENGINE

| REF - NO | PART NUMBER | PART NAME | QUANTITY | REMARKS |
|----------------|-----------------|------------------------|----------|---------|
| 1 | 6H4-41213-04-00 | CAM, ACCEL. | 1 | UR |
| 2 | 90109-06M43-00 | BOLT | 1 | |
| 3 | 6H4-41632-01-00 | LEVER, MAGNETO CONTROL | 1 | |
| 4 | 90508-26M20-00 | SPRING, TORSION | 1 | |
| 5 | 6G5-41636-01-00 | ROD, MAGNETO CONTROL | 1 | |
| 6 | 6H4-41237-00-00 | JOINT, LINK | 1 | |
| 7 | 95380-05600-00 | NUT | 1 | |
| 8 | 90387-06M19-00 | COLLAR | 1 | |
| 9 | 97313-06025-00 | BOLT | 1 | |
| 10 | 90157-06M13-00 | SCREW, PAN HEAD | 1 | |
| 11 | 95380-06600-00 | NUT, HEXAGON | 2 | |
| 12 | 688-44194-00-00 | CAP | 1 | |
| 13 | 6H4-44111-10-00 | HANDLE, GEAR SHIFT | 1 | |
| 14 | 682-44132-00-00 | BUSHING | 1 | |
| 15 | 6H4-44121-02-00 | LEVER, SHIFT ROD | 1 | |
| 16 | 91690-30318-00 | PIN, SPRING | 1 | |
| 17 | 6H4-44116-00-00 | SPRING | 1 | |
| 18 | 682-44117-00-00 | BRACKET | 1 | |
| 19 | 97313-06016-00 | BOLT, HEXAGON | 1 | |
| 20 | 6H4-44125-01-00 | LEVER, SHIFT ROD | 1 | |
| 21 | 91690-30316-00 | PIN, SPRING | 1 | |
| 22 | 6F5-41662-00-00 | BRACKET 2 | 1 | |
| 23 | 97313-06020-00 | BOLT, HEXAGON | 2 | |
| 24 | 92990-06600-00 | WASHER, PLATE | 2 | |
| 25 | 6H4-44143-00-00 | ROD, SHIFT | 1 | |
| 26 | 91790-05020-00 | PIN, CLEVIS | 1 | |
| 27 | 92990-05600-00 | WASHER, PLATE | 1 | |
| 28 | 91490-16010-00 | PIN. COTTER | 1 | |
| 29 | 648-44146-00-00 | CONNECTOR, SHIFT ROD | 1 | |
| 30 | 90170-07021-00 | NUT | 1 | |

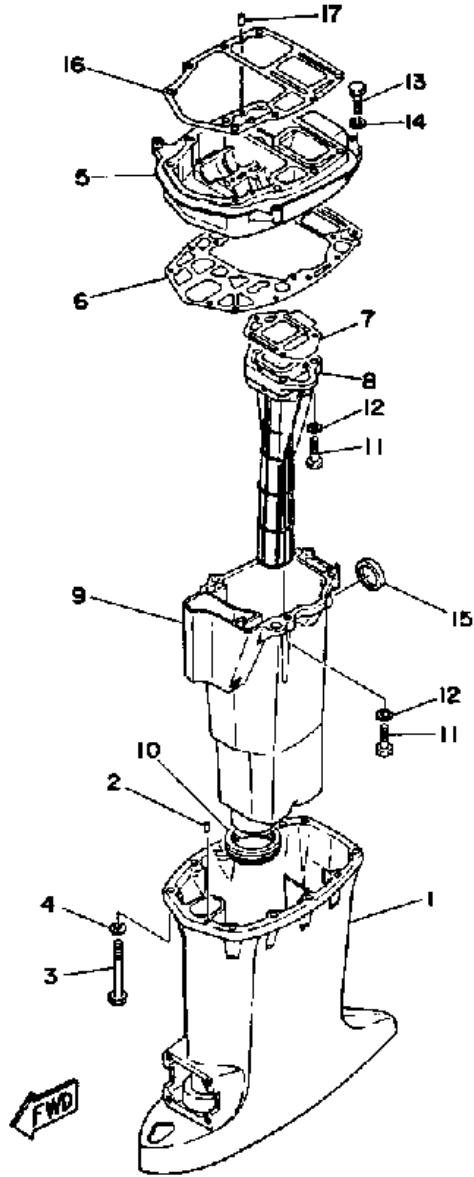
Part Notes

PRO50LF 1989 / CONTROL ENGINE

| PART NUMBER | NOTE TEXT |
|--|--|
| 92990-06600-00  | OEM: This part number is among the Top 100 Most Popular Marine Maintenance Parts as of March 2014. |

©2014 Yamaha Motor Corporation, U.S.A. All rights reserved.

PRO50LF 1989 / UPPER CASING



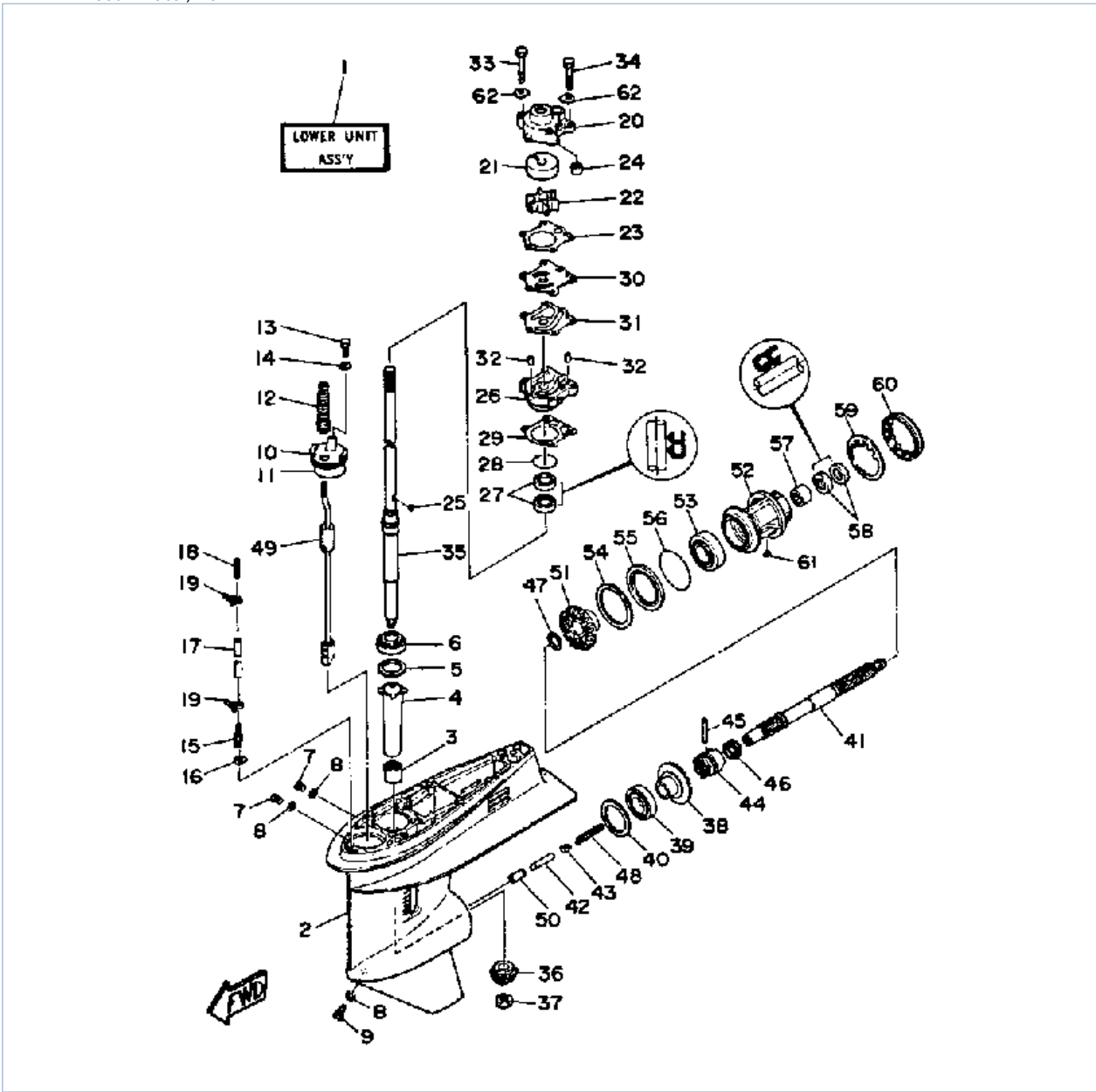
©2014 Yamaha Motor Corporation, U.S.A. All rights reserved.

Part List

PRO50LF 1989 / UPPER CASING

| REF - NO | PART NUMBER | PART NAME | QUANTITY | REMARKS |
|----------------|-----------------|-------------------------------|----------|----------|
| 1 | 6H4-45111-00-EK | CASING, UPPER | 1 | UR SHORT |
| 1 | 6H4-45111-10-EK | CASING, UPPER | 1 | UR LONG |
| 2 | 93606-12019-00 | .PIN, DOWEL | 2 | |
| 3 | 97395-08080-00 | BOLT, HEXAGON | 8 | |
| 4 | 92990-08600-00 | ..WASHER, PLATE | 8 | |
| 5 | 6H4-41137-00-94 | GUIDE, EXHAUST | 1 | |
| 6 | 6H4-45114-A1-00 | GASKET, UPPER CASING | 1 | |
| 7 | 6H4-41134-A0-00 | GASKET, EXHAUST MANIFOLD | 1 | |
| 8 | 6H5-41131-00-5B | MANIFOLD, EXT. 1 | 1 | |
| 9 | 6H4-14711-00-5B | MUFFLER 1 | 1 | UR SHORT |
| 9 | 6H4-14711-10-5B | MUFFLER 1 | 1 | UR LONG |
| 10 | 663-45123-00-00 | GASKET, MUFFLER | 1 | |
| 11 | 97395-08030-00 | BOLT | 7 | |
| 12 | 92990-08600-00 | ..WASHER, PLATE | 7 | |
| 13 | 97395-08030-00 | BOLT | 2 | |
| 14 | 92990-08100-00 | WASHER, SPRING | 2 | |
| 15 | 6H4-41133-00-00 | GASKET, EXHAUST MANIFOLD 1 | 1 | |
| 16 | 6H4-45113-A0-00 | GASKET, UPPER CASING | 1 | |
| 17 | 93606-12019-00 | .PIN, DOWEL | 2 | |

PRO50LF 1989 / LOWER DRIVE 1



©2014 Yamaha Motor Corporation, U.S.A. All rights reserved.

Part List




PRO50LF 1989 / LOWER DRIVE 1

| REF - NO | PART NUMBER | PART NAME | QUANTITY | REMARKS |
|----------------|-----------------|-----------------------|----------|----------|
| 1 | 6H4-45300-12-EK | LOWER UNIT ASSEMBLY | 1 | UR LONG |
| 1 | 6H4-45300-02-EK | LOWER UNIT ASSEMBLY | 1 | UR SHORT |
| 2 | 6H4-45301-01-EK | LOWER CASING | 1 | |
| 3 | 93315-32224-00 | BEARING | 1 | |
| 4 | 6H4-45536-00-00 | SLEEVE, DRIVE SHAFT | 1 | |
| 5 | 663-45587-01-12 | SHIM (T:0.12MM) | 1 | UR |
| 5 | 663-45587-01-10 | SHIM (T:0.10MM) | 1 | UR |
| 5 | 663-45587-01-15 | SHIM (T:0.15MM) | 1 | UR |
| 5 | 663-45587-01-50 | SHIM (T:0.50MM) | 1 | UR |
| 5 | 663-45587-01-40 | SHIM (T:0.40MM) | 1 | UR |
| 5 | 663-45587-01-18 | SHIM (T:0.18MM) | 1 | UR |
| 5 | 663-45587-01-30 | SHIM (T:0.30MM) | 1 | UR |
| 6 | 93332-00001-00 | BEARING | 1 | |
| 7 | 90340-08M04-00 | PLUG, STRAIGHT SCREW | 2 | |
| 8 | 90430-08020-00 | .GASKET | 3 | |
| 9 | 688-45341-00-00 | PLUG, DRAIN | 1 | |
| 10 | 6H4-45321-01-00 | PLATE | 1 | |
| 11 | 93210-49046-00 | .O-RING | 1 | |
| 12 | 6G1-44147-00-00 | .BOOT, SHIFT ROD | 1 | |
| 13 | 97395-06016-00 | BOLT, HEX | 1 | |
| 14 | 92990-06600-00 | WASHER, PLATE | 1 | |
| 15 | 6H4-45378-00-00 | NIPPLE, HOSE | 1 | |
| 16 | 90209-10M14-00 | WASHER | 1 | |
| 17 | 90445-07ME9-00 | HOSE (L120) | 1 | UR SHORT |
| 17 | 90445-07M31-00 | HOSE (L200) | 1 | UR LONG |
| 18 | 6E5-83558-10-00 | END, NIPPLE | 1 | |
| 19 | 90465-11M10-00 | CLAMP | 2 | |
| 20 | 6J8-44311-00-00 | HOUSING, WATER PUMP | 1 | |
| 21 | 663-44322-00-00 | .INSERT, CARTRIDGE | 1 | |
| 22 | 6H4-44352-02-00 | .IMPELLER | 1 | |
| 23 | 663-44315-00-00 | GASKET, WATER PUMP | 1 | |
| 24 | 663-44366-00-00 | .DAMPER, WATER SEAL 2 | 1 | |
| 25 | 90280-03024-00 | .KEY, WOODRUFF | 1 | |
| 26 | 663-44341-00-94 | HOUSING, WATER PUMP | 1 | |
| 27 | 93101-23070-00 | .OIL SEAL | 2 | |
| 28 | 93210-41042-00 | O-RING | 1 | |
| 29 | 663-44316-00-00 | GASKET, WATER PUMP | 1 | |
| 30 | 663-44323-00-00 | OUTER PLATE, CARTIDGE | 1 | |
| 31 | 663-44324-00-00 | OIL SEAL | 1 | |
| 32 | 93604-08062-00 | PIN, DOWEL | 2 | |
| 33 | 97395-08055-00 | BOLT | 2 | |
| 34 | 97395-08045-00 | BOLT | 2 | |
| 35 | 6H4-45501-00-00 | DRIVE SHAFT COMP. | 1 | UR SHORT |
| 35 | 6H4-45501-10-00 | DRIVE SHAFT COMP. | 1 | UR LONG |
| 36 | 6H4-45551-00-00 | PINION | 1 | |
| 37 | 90170-12138-00 | NUT | 1 | |
| 38 | 6H4-45560-00-00 | GEAR | 1 | |
| 39 | 93332-000V4-00 | BEARING | 1 | |
| 40 | 6H4-45567-01-10 | SHIM (T:0.10MM) | 1 | UR |
| 40 | 6H4-45567-01-12 | SHIM (T:0.12MM) | 1 | UR |
| 40 | 6H4-45567-01-15 | SHIM (T:0.15MM) | 1 | UR |
| 40 | 6H4-45567-01-18 | SHIM (T:0.18MM) | 1 | UR |
| 40 | 6H4-45567-01-30 | SHIM (T:0.30MM) | 1 | UR |

| | | | | |
|----|-----------------|---------------------|---|----------|
| 40 | 6H4-45567-01-40 | SHIM (T:0.40MM) | 1 | UR |
| 40 | 6H4-45567-01-50 | SHIM (T:0.50MM) | 1 | UR |
| 41 | 679-45611-01-00 | SHAFT, PROPELLER | 1 | |
| 42 | 676-45635-00-00 | PLUNGER, SHIFT | 1 | |
| 43 | 663-45634-00-00 | SLIDE, SHIFT | 1 | |
| 44 | 6H4-45631-00-00 | CLUTCH, DOG | 1 | |
| 45 | 90250-06023-00 | PIN, STRAIGHT | 1 | |
| 46 | 663-45633-00-00 | RING, CROSS PIN | 1 | |
| 47 | 90201-22429-00 | WASHER, PLATE | 1 | |
| 48 | 90501-16M01-00 | SPRING, COMPRESSION | 1 | |
| 49 | 6H4-44150-01-00 | SHIFT CAM ASSEMBLY | 1 | UR SHORT |
| 49 | 6H4-44150-12-00 | SHIFT CAM ASSEMBLY | 1 | UR LONG |
| 50 | 6H4-44160-00-00 | DETENT COMP. | 1 | |
| 51 | 6H4-45571-00-00 | GEAR | 1 | |
| 52 | 679-45331-00-94 | HOUSING, BEARING | 1 | |
| 53 | 93306-00702-00 | BEARING | 1 | |
| 54 | 663-45577-01-10 | SHIM (T:0.10MM) | 1 | UR |
| 54 | 663-45577-01-12 | SHIM (T:0.12MM) | 1 | UR |
| 54 | 663-45577-01-15 | SHIM (T:0.15MM) | 1 | UR |
| 54 | 663-45577-01-18 | SHIM (T:0.18MM) | 1 | UR |
| 54 | 663-45577-01-30 | SHIM (T:0.30MM) | 1 | UR |
| 54 | 663-45577-01-40 | SHIM (T:0.40MM) | 1 | UR |
| 54 | 663-45577-01-50 | SHIM (T:0.50MM) | 1 | UR |
| 55 | 663-45576-00-00 | WASHER, THRUST | 1 | |
| 56 | 93210-66M98-00 | O-RING | 1 | |
| 57 | 93317-22204-00 | BEARING | 1 | |
| 58 | 93101-22067-00 | .OIL SEAL | 2 | |
| 59 | 90214-48M03-00 | WASHER, CLAW | 1 | |
| 60 | 697-45384-00-00 | NUT | 1 | |
| 61 | 90282-04010-00 | KEY, STRAIGHT | 1 | |
| 62 | 90209-08M02-00 | WASHER | 4 | |

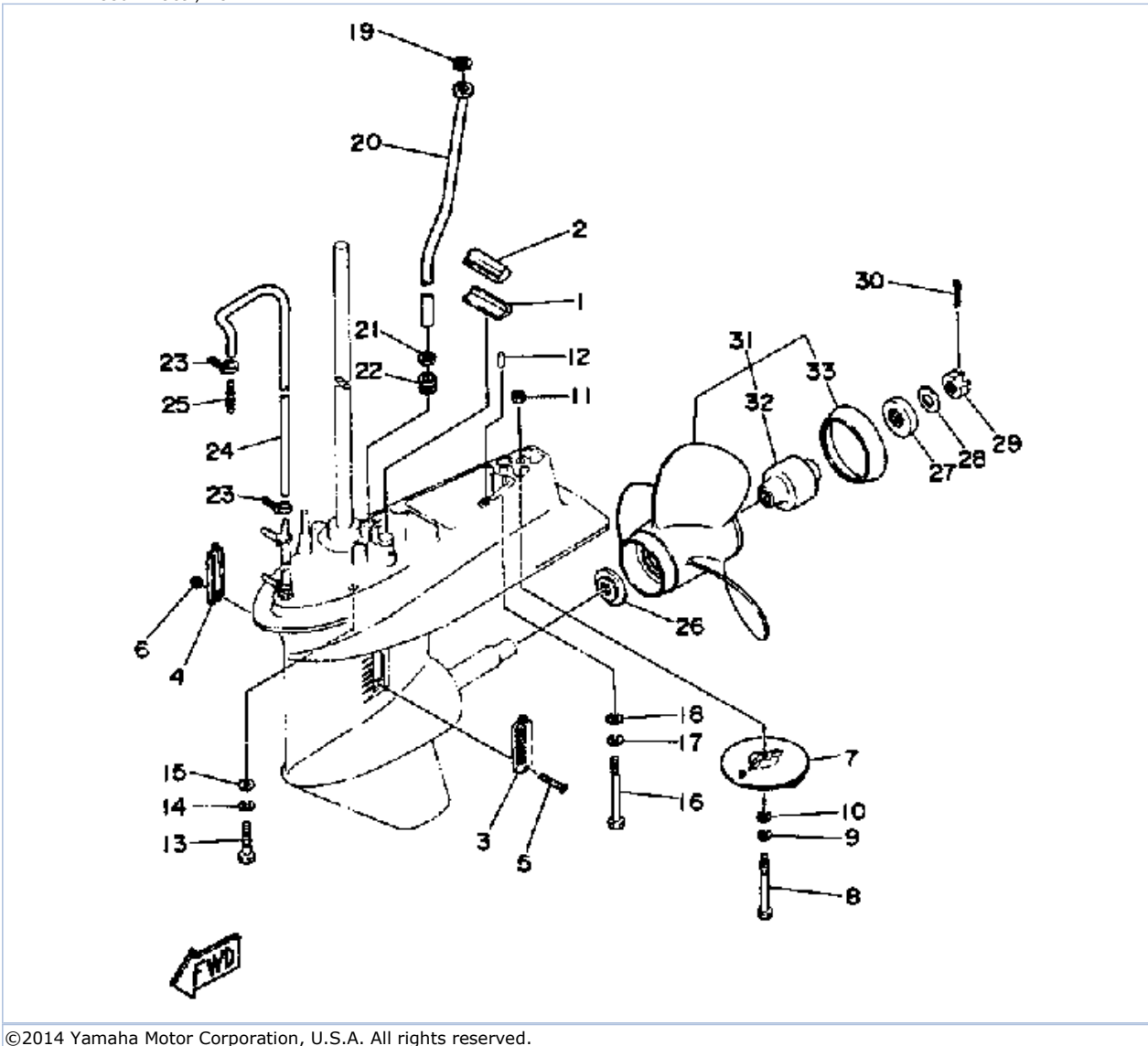
Part Notes

PRO50LF 1989 / LOWER DRIVE 1

| PART NUMBER | | NOTE TEXT |
|-----------------|---|--|
| 90430-08020-00 |  | OEM: This part number is among the Top 100 Most Popular Marine Maintenance Parts as of March 2014. |
| 92990-06600-00 |  | OEM: This part number is among the Top 100 Most Popular Marine Maintenance Parts as of March 2014. |
| 6H4-44352-02-00 |  | OEM: This part number is among the Top 100 Most Popular Marine Maintenance Parts as of March 2014. |

©2014 Yamaha Motor Corporation, U.S.A. All rights reserved.

PRO50LF 1989 / LOWER DRIVE 2



©2014 Yamaha Motor Corporation, U.S.A. All rights reserved.

Part List


PRO50LF 1989 / LOWER DRIVE 2

| REF - NO | PART NUMBER | PART NAME | QUANTITY | REMARKS |
|----------------|-----------------|---|----------|----------|
| 1 | 663-45376-00-94 | GUIDE, SEAL DAMPER | 1 | |
| 2 | 688-45375-00-00 | DAMPER, SEAL | 1 | |
| 3 | 688-45214-02-00 | COVER, WATER INLET 1 | 1 | |
| 4 | 688-45215-02-00 | COVER, WATER INLET 2 | 1 | |
| 5 | 98680-05535-00 | SCREW, OVAL HEAD | 1 | |
| 6 | 90185-05002-00 | NUT, NYLON | 1 | |
| 7 | 664-45371-01-00 | TAB-TRIM | 1 | |
| 8 | 97375-08075-00 | BOLT | 1 | |
| 9 | 92990-08100-00 | WASHER, SPRING | 1 | |
| 10 | 92990-08600-00 | ..WASHER, PLATE | 1 | |
| 11 | 95380-08600-00 | NUT | 1 | |
| 12 | 93606-12019-00 | .PIN, DOWEL | 2 | |
| 13 | 97395-10040-00 | BOLT | 4 | |
| 14 | 92990-10100-00 | WASHER, SPRING | 4 | |
| 15 | 92990-10600-00 | WASHER, PLATE | 4 | |
| 16 | 97395-08085-00 | BOLT | 1 | |
| 17 | 92990-08100-00 | WASHER, SPRING | 1 | |
| 18 | 92990-08600-00 | ..WASHER, PLATE | 1 | |
| 19 | 90202-12060-00 | WASHER, PLATE | 1 | |
| 20 | 6H4-44361-00-00 | TUBE, WATER | 1 | UR SHORT |
| 20 | 6H4-44361-10-00 | TUBE, WATER | 1 | UR LONG |
| 21 | 90430-12072-00 | GASKET | 1 | |
| 22 | 663-44367-00-00 | DAMPER, WATER SEAL 3 | 1 | |
| 23 | 90465-11M10-00 | CLAMP | 2 | |
| 24 | 90445-07MF1-00 | HOSE (L570) | 1 | |
| 25 | 6E5-83558-00-00 | END, NIPPLE | 1 | |
| 26 | 663-45987-02-00 | SPACER 1 | 1 | |
| 27 | 670-45997-02-00 | SPACER | 1 | |
| 28 | 92990-16200-00 | WASHER, PLAIN | 1 | |
| 29 | 90171-16011-00 | NUT, CASTLE | 1 | |
| 30 | 91490-30040-00 | PIN, COTTER | 1 | |
| 31 | 6H5-45952-00-EL | PROPELLER (3X10-3/8X13"-G) | 1 | UR |
| 31 | 663-45956-01-EL | PROPELLER (3X12-1/4"X9"-G) | 1 | UR |
| 31 | 6H5-45958-00-EL | PROPELLER (3X10-1/4"X14"-G) | 1 | UR |
| 31 | 663-45970-60-98 | PROPELLER (3X11-3/4"X12"-G) | 1 | UR |
| 31 | 663-45972-60-98 | PROPELLER (3X12"X11"-G) | 1 | UR |
| 31 | 663-45974-60-98 | PROPELLER (3X11-1/2"X13"-G) | 1 | UR |
| 31 | 663-45976-00-98 | PROPELLER (3X10-1/4"X15"-G) | 1 | UR |
| 31 | 663-45978-00-98 | PROPELLER (3X10-1/4"X16"-G) | 1 | UR |
| 31 | 663-45930-00-98 | PROPELLER (3X10-1/4"X14"-G) | 1 | UR |
| 31 | 663-45958-01-EL | PROPELLER (3X11-1/4"X14"-G) | 1 | UR |
| 31 | 663-45952-00-EL | UNAVAILABLE IN PRICE BOOK (3X11-3/8"X12"-G) (663-4) | 1 | UR |
| 31 | 663-45945-00-EL | UNAVAILABLE IN PRICE BOOK (3X11-1/8"X13"-G) (663-4) | 1 | UR |
| 31 | 663-45949-01-EL | PROPELLER (3X10-3/4"X16"-G) | 1 | UR |

| | | | | |
|----|-----------------|-----------------------------|---|-----------------|
| 31 | 663-45947-02-EL | PROPELLER (3X11-5/8"X11"-G) | 1 | UR |
| 31 | 6H5-45945-00-EL | PROPELLER (3X10-5/8X12"-G) | 1 | UR |
| 31 | 663-45941-01-EL | PROPELLER (3X10-3/4"X17"-G) | 1 | UR |
| 31 | 6H5-45943-00-EL | PROPELLER (3X10"X15"-G) | 1 | UR |
| 31 | 6H5-45943-00-EL | PROPELLER (3X10"X15"-G) | 1 | UR |
| 32 | 663-45981-10-00 | .DAMPER, RUBBER PROP | 1 | |
| 33 | 663-45986-00-94 | .RING, DEFLECTOR | 1 | FOR ALUMI PROP. |

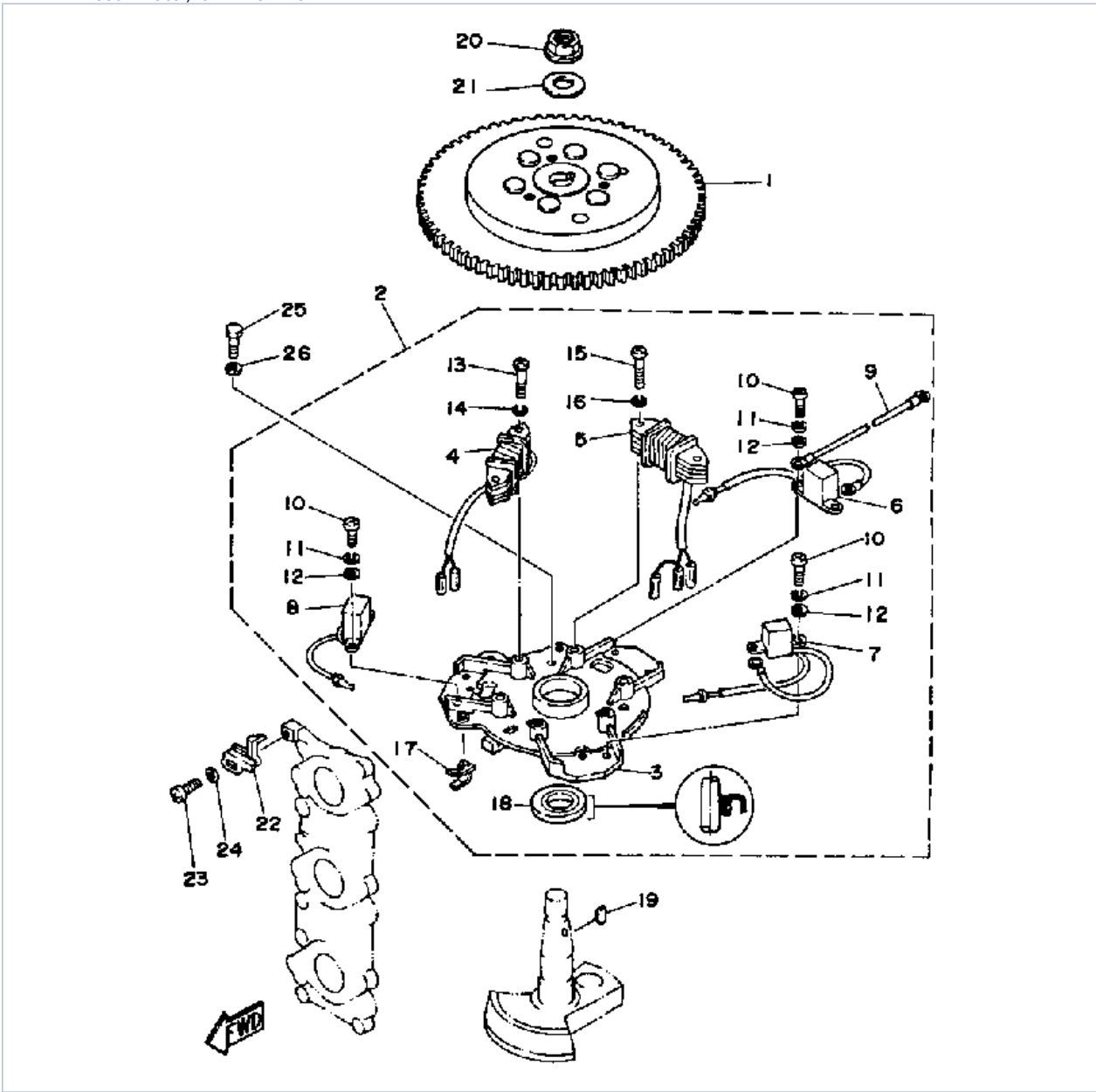
Part Notes

PRO50LF 1989 / LOWER DRIVE 2

| PART NUMBER | NOTE TEXT |
|--|--|
| 92990-10600-00  | OEM: This part number is among the Top 100 Most Popular Marine Maintenance Parts as of March 2014. |

©2014 Yamaha Motor Corporation, U.S.A. All rights reserved.

PRO50LF 1989 / CDI MAGNETO



©2014 Yamaha Motor Corporation, U.S.A. All rights reserved.


Part List

PRO50LF 1989 / CDI MAGNETO

| REF - NO | PART NUMBER | PART NAME | QUANTITY | REMARKS |
|----------------|-----------------|--------------------|----------|---------|
| 1 | 6H5-85550-00-00 | ROTOR ASSEMBLY | 1 | |
| 2 | 6H5-85560-01-00 | BASE ASSEMBLY | 1 | |
| 3 | 6H4-15359-03-94 | .HOUSING, OIL SEAL | 1 | |
| 4 | 6H5-85520-00-00 | .COIL, CHARGE | 1 | |
| 5 | 6H5-85533-01-00 | .COIL, LIGHTING | 1 | |
| 6 | 6H5-85580-00-00 | .COIL, PULSER | 1 | |
| 7 | 6H5-85580-10-00 | .COIL, PULSER | 1 | |
| 8 | 6H5-85580-20-00 | .COIL, PULSER | 1 | |
| 9 | 6H5-83354-00-00 | .WIRE, LEAD | 1 | |
| 10 | 98580-05012-00 | .SCREW, PAN HEAD | 1 | |
| 11 | 92990-05100-00 | .WASHER, SPRING | 1 | |
| 12 | 92901-05600-00 | .WASHER | 6 | |
| 13 | 98511-06025-00 | .SCREW PAN HEAD | 2 | |
| 14 | 92995-06100-00 | .WASHER, SPRING | 2 | |
| 15 | 98580-06030-00 | .SCREW, PAN HEAD | 2 | |
| 16 | 92995-06100-00 | .WASHER, SPRING | 2 | |
| 17 | 90464-03M15-00 | .CLAMP | 2 | |
| 18 | 93102-23096-00 | .OIL SEAL | 1 | |
| 19 | 90280-05049-00 | KEY, WOODRUFF | 1 | |
| 20 | 90179-16M05-00 | NUT | 1 | |
| 21 | 90201-16M44-00 | WASHER, PLATE | 1 | |
| 22 | 6H4-81332-00-00 | PLATE, TIMING | 1 | |
| 23 | 98580-05010-00 | .SCREW, PAN HEAD | 1 | |
| 24 | 92990-05600-00 | WASHER, PLATE | 1 | |
| 25 | 97313-06018-00 | BOLT | 3 | |
| 26 | 92990-06600-00 | WASHER, PLATE | 3 | |

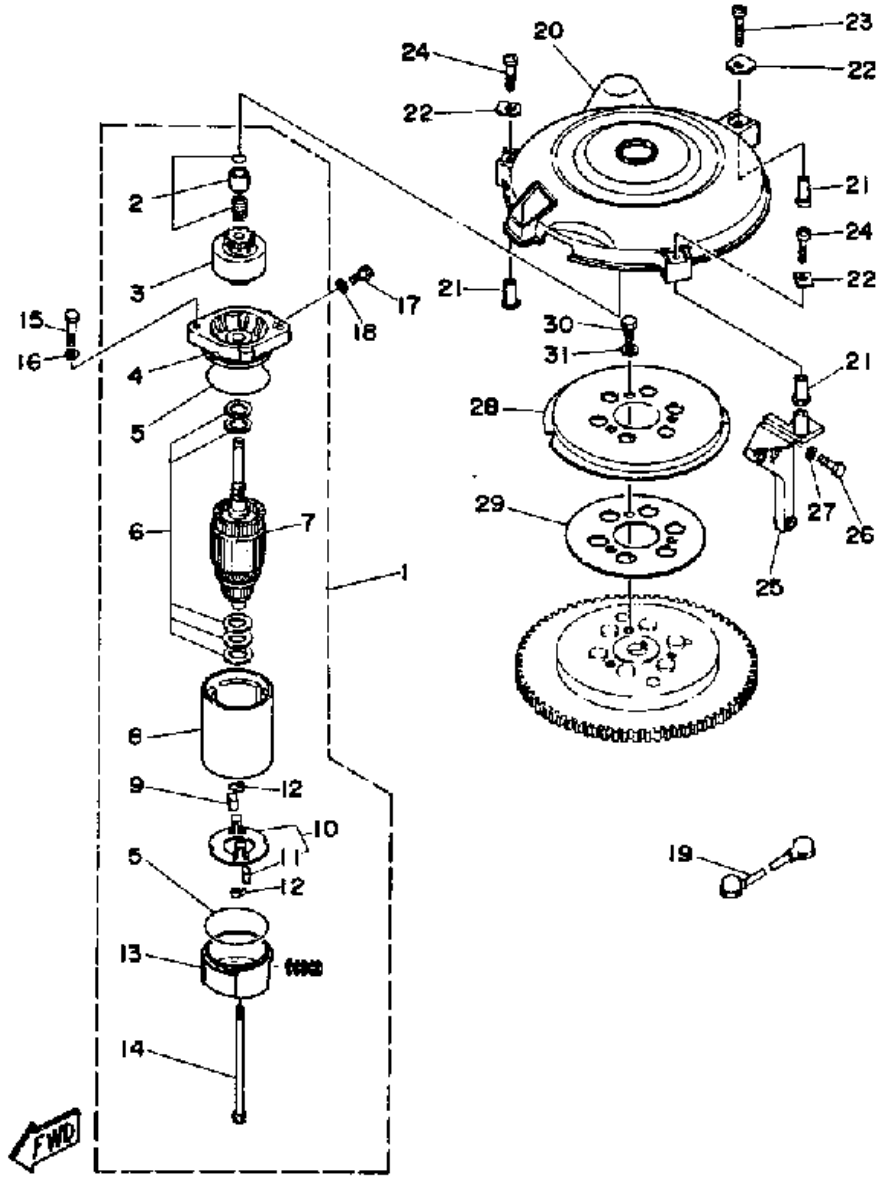
Part Notes

PRO50LF 1989 / CDI MAGNETO

| PART NUMBER | NOTE TEXT |
|--|--|
| 92990-06600-00  | OEM: This part number is among the Top 100 Most Popular Marine Maintenance Parts as of March 2014. |

©2014 Yamaha Motor Corporation, U.S.A. All rights reserved.

PRO50LF 1989 / ELECTRIC MOTOR



©2014 Yamaha Motor Corporation, U.S.A. All rights reserved.


Part List

PRO50LF 1989 / ELECTRIC MOTOR

| REF - NO | PART NUMBER | PART NAME | QUANTITY | REMARKS |
|----------------|-----------------|-------------------------------|----------|---------|
| 1 | 6J4-81800-01-00 | STARTING MOTOR ASSEMBLY | 1 | |
| 2 | 689-81857-11-00 | .PINION STOPPER SET | 1 | |
| 3 | 689-81807-12-00 | .GEAR ASSY, STARTING MOTOR | 1 | |
| 4 | 6F5-81830-11-00 | .FRONT BRACKET ASSY | 1 | |
| 5 | 689-81847-11-00 | .O-RING | 2 | |
| 6 | 689-81809-11-00 | .WASHER KIT | 1 | |
| 7 | 689-81850-12-00 | .ARMATURE ASSY | 1 | |
| 8 | 689-81810-11-00 | .STATOR ASSY | 1 | |
| 9 | 689-81811-11-00 | .BRUSH 1 | 1 | |
| 10 | 689-81840-11-00 | .BRUSH HOLDER ASSY | 1 | |
| 11 | 689-81812-11-00 | ..BRUSH 2 | 1 | |
| 12 | 689-81813-10-00 | .SPRING, BRUSH | 2 | |
| 13 | 689-81820-11-00 | .REAR BRACKET ASSY | 1 | |
| 14 | 689-81826-10-00 | .BOLT | 2 | |
| 15 | 97313-08030-00 | BOLT | 2 | |
| 16 | 92990-08600-00 | ..WASHER, PLATE | 2 | |
| 17 | 97313-08016-00 | BOLT, HEXAGON | 1 | |
| 18 | 92990-08600-00 | ..WASHER, PLATE | 1 | |
| 19 | 6H4-82117-00-00 | WIRE, LEAD | 1 | |
| 20 | 6H4-81337-01-00 | COVER, FLYWHEEL | 1 | |
| 21 | 90387-06M65-00 | COLLAR | 3 | |
| 22 | 90209-06M04-00 | WASHER | 3 | |
| 23 | 98580-06040-00 | SCREW, PAN HEAD | 1 | |
| 24 | 98580-06035-00 | SCREW, PAN HEAD | 2 | |
| 25 | 6H4-15772-02-94 | STAY 2 | 1 | |
| 26 | 97313-06025-00 | BOLT | 3 | |
| 27 | 92990-06600-00 | WASHER, PLATE | 3 | |
| 28 | 6J8-15723-E1-00 | PULLEY, STARTER | 1 | |
| 29 | 6J8-81365-00-00 | GASKET, HOLE COVER | 1 | |
| 30 | 97011-08016-00 | BOLT | 3 | |
| 31 | 92990-08600-00 | ..WASHER, PLATE | 3 | |

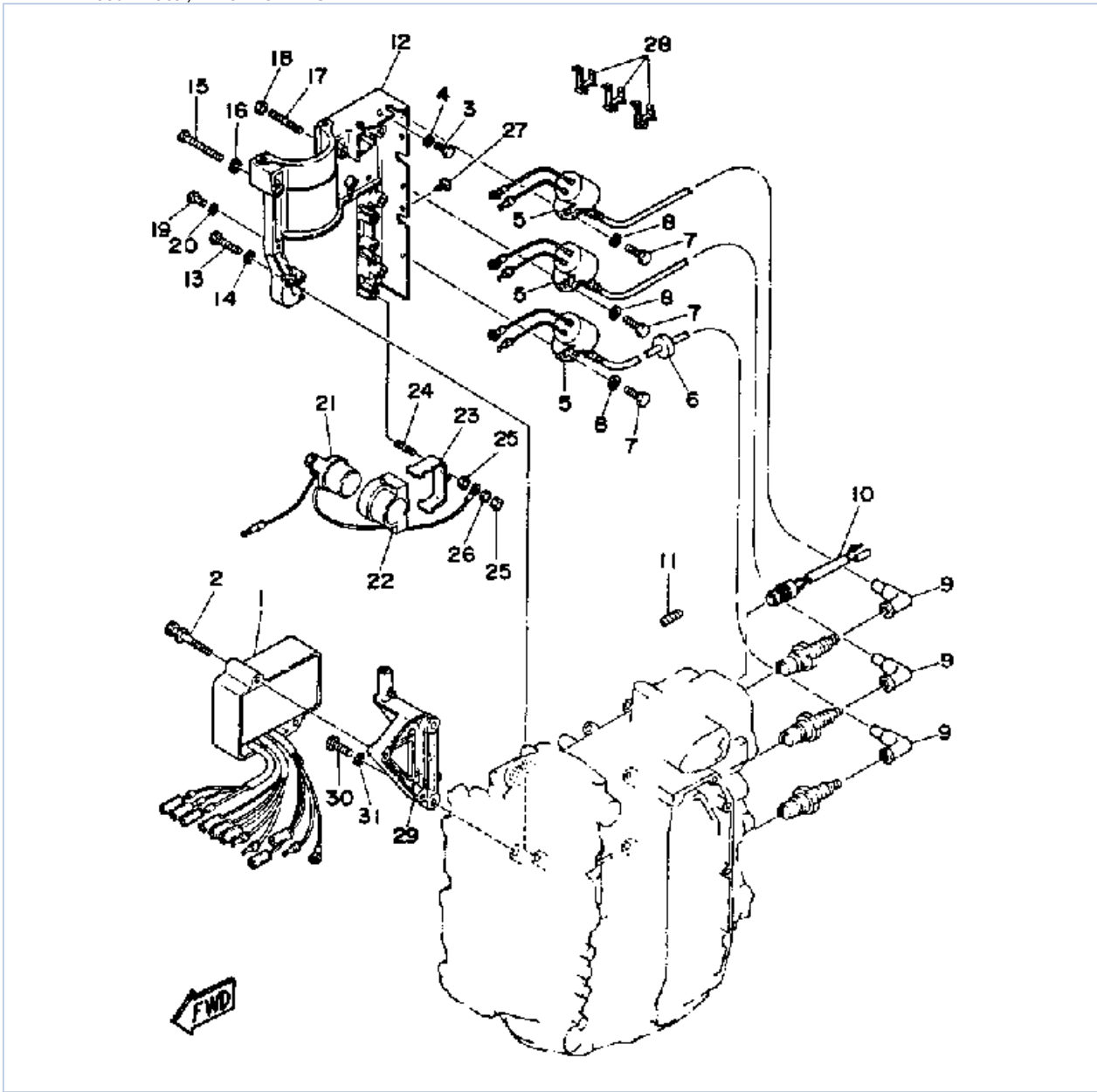
Part Notes

PRO50LF 1989 / ELECTRIC MOTOR

| PART NUMBER | NOTE TEXT |
|--|--|
| 92990-06600-00  | OEM: This part number is among the Top 100 Most Popular Marine Maintenance Parts as of March 2014. |

©2014 Yamaha Motor Corporation, U.S.A. All rights reserved.

PRO50LF 1989 / ELECTRIC PARTS 1



©2014 Yamaha Motor Corporation, U.S.A. All rights reserved.






Part List

PRO50LF 1989 / ELECTRIC PARTS 1

| REF - NO | PART NUMBER | PART NAME | QUANTITY | REMARKS |
|----------------|-----------------|-------------------------|----------|---------|
| 1 | 6H5-85540-02-00 | C.D.I. UNIT ASSEMBLY | 1 | |
| 2 | 90119-06M51-00 | BOLT, WITH WASHER | 2 | |
| 3 | 97013-06012-00 | BOLT | 1 | |
| 4 | 92990-06600-00 | WASHER, PLATE | 1 | |
| 5 | 6H5-85570-00-00 | IGNITION COIL ASSY | 3 | |
| 6 | 90480-25161-00 | GROMMET | 1 | |
| 7 | 97313-06022-00 | BOLT | 3 | |
| 8 | 92990-06600-00 | WASHER, PLATE | 3 | |
| 9 | 663-82370-01-00 | PLUG CAP ASSY | 3 | |
| 10 | 689-82560-00-00 | THERMO SWITCH ASSEMBLY | 1 | |
| 11 | 90446-10M02-00 | HOSE | 1 | |
| 12 | 6H4-81822-01-98 | BRACKET, STARTING MOTOR | 1 | |
| 13 | 97313-06030-00 | BOLT | 4 | |
| 14 | 92990-06600-00 | WASHER, PLATE | 4 | |
| 15 | 97313-08050-00 | BOLT, HEXAGON | 1 | |
| 16 | 92990-08600-00 | ..WASHER, PLATE | 1 | |
| 17 | 95670-06640-00 | BOLT, STUD | 1 | |
| 18 | 90179-06M24-00 | NUT | 1 | |
| 19 | 97313-06014-00 | BOLT, HEXAGON | 2 | |
| 20 | 92990-06600-00 | WASHER, PLATE | 2 | |
| 21 | 6G1-81941-10-00 | STARTER RELAY ASSY | 1 | |
| 22 | 6H4-81952-00-00 | HOLDER, RELAY | 1 | |
| 23 | 6H4-81945-00-00 | PLATE, SWITCH FITTING | 1 | |
| 24 | 90116-06M22-00 | BOLT, STUD | 1 | |
| 25 | 95380-06600-00 | NUT, HEXAGON | 2 | |
| 26 | 92990-06600-00 | WASHER, PLATE | 1 | |
| 27 | 90338-05M11-00 | PLUG | 2 | |
| 28 | 90464-09M13-00 | CLAMP | 3 | |
| 29 | 6H4-15771-01-94 | STAY 1 | 1 | |
| 30 | 97313-08030-00 | BOLT | 2 | |
| 31 | 92990-08600-00 | ..WASHER, PLATE | 2 | |

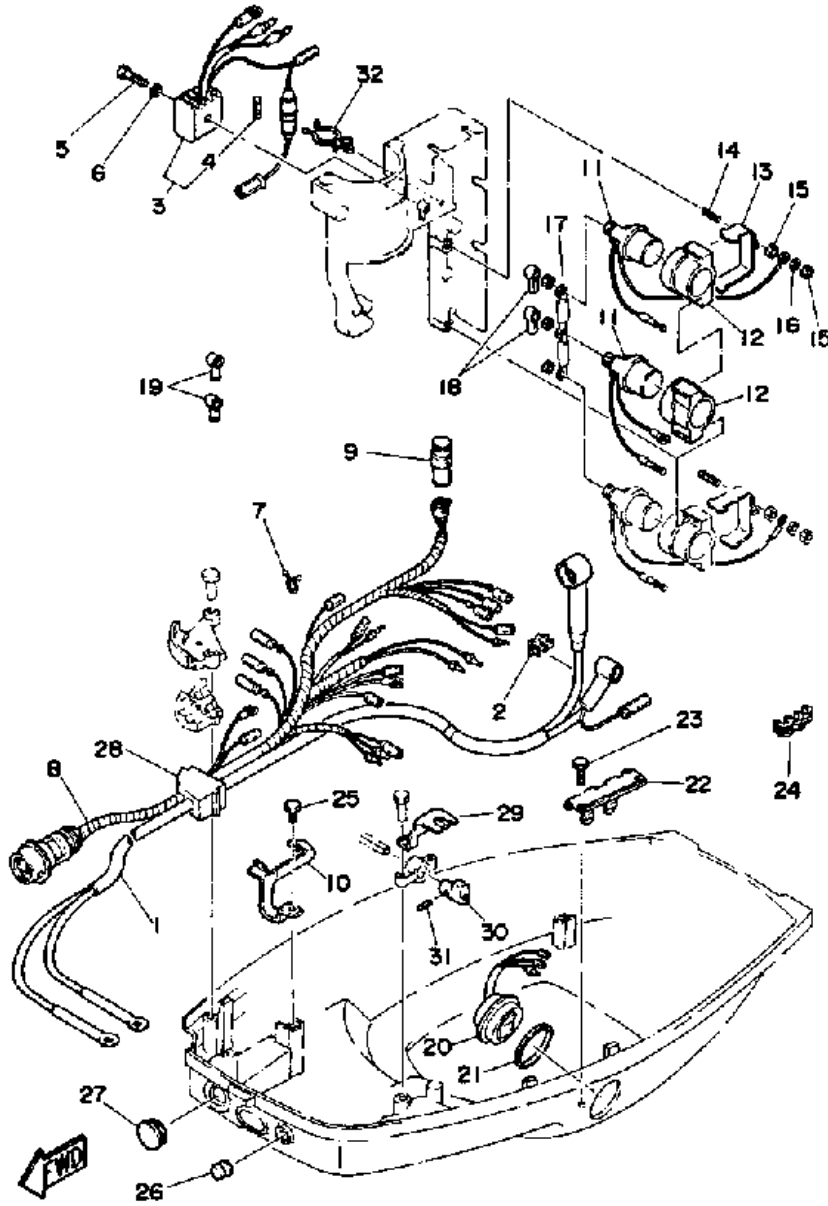
Part Notes

PRO50LF 1989 / ELECTRIC PARTS 1

| PART NUMBER | NOTE TEXT |
|--|--|
| 92990-06600-00  | OEM: This part number is among the Top 100 Most Popular Marine Maintenance Parts as of March 2014. |
| 92990-06600-00  | OEM: This part number is among the Top 100 Most Popular Marine Maintenance Parts as of March 2014. |
| 92990-06600-00  | OEM: This part number is among the Top 100 Most Popular Marine Maintenance Parts as of March 2014. |
| 92990-06600-00  | OEM: This part number is among the Top 100 Most Popular Marine Maintenance Parts as of March 2014. |
| 92990-06600-00  | OEM: This part number is among the Top 100 Most Popular Marine Maintenance Parts as of March 2014. |

©2014 Yamaha Motor Corporation, U.S.A. All rights reserved.

PRO50LF 1989 / ELECTRIC PARTS 2



©2014 Yamaha Motor Corporation, U.S.A. All rights reserved.


Part List

PRO50LF 1989 / ELECTRIC PARTS 2

| REF - NO | PART NUMBER | PART NAME | QUANTITY | REMARKS |
|----------------|-----------------|--------------------------------|----------|---------|
| 1 | 6H4-82105-01-00 | BATTERY CABLE | 1 | |
| 2 | 90464-07M20-00 | CLAMP | 1 | |
| 3 | 6G1-81970-61-00 | RECTIFIER ASSY | 1 | |
| 4 | 6G1-82151-00-00 | .FUSE (10A) | 1 | |
| 5 | 98503-05025-00 | SCREW, PAN HEAD | 1 | |
| 6 | 92990-05600-00 | WASHER, PLATE | 1 | |
| 7 | 90465-18147-00 | CLAMP | 1 | |
| 8 | 6H4-82590-22-00 | WIRE HARNESS ASSEMBLY | 1 | |
| 9 | 6H4-82582-00-00 | COVER, WIRE HARNESS | 1 | |
| 10 | 6H4-82588-00-00 | PLATE | 1 | |
| 11 | 6G1-81941-10-00 | STARTER RELAY ASSY | 2 | |
| 12 | 6H4-81952-00-00 | HOLDER, RELAY | 2 | |
| 13 | 6H4-81945-10-00 | PLATE, SWITCH FITTING | 1 | |
| 14 | 90116-06M22-00 | BOLT, STUD | 1 | |
| 15 | 95380-06600-00 | NUT, HEXAGON | 2 | |
| 16 | 92990-06600-00 | WASHER, PLATE | 1 | |
| 17 | 6H4-87149-00-00 | CONNECTOR | 1 | |
| 18 | 6H5-82119-00-00 | COVER, LEAD WIRE | 2 | |
| 19 | 6E5-82119-00-00 | COVER, LEAD WIRE | 2 | |
| 20 | 6H1-82563-00-00 | TRIM & TILT SWITCH ASSEMBLY | 1 | |
| 21 | 6E5-82587-00-00 | GASKET | 1 | |
| 22 | 6E5-83614-00-00 | BRACKET | 1 | |
| 23 | 97313-06016-00 | BOLT, HEXAGON | 2 | |
| 24 | 90464-07M05-00 | CLAMP | 1 | |
| 25 | 97013-06012-00 | BOLT | 1 | |
| 26 | 6H4-42725-00-00 | GROMMET | 1 | |
| 27 | 676-42726-00-00 | GROMMET | 1 | |
| 28 | 6H4-42724-20-00 | GROMMET | 1 | |
| 29 | 6H4-82554-00-00 | STAY, NEUTRAL SWITCH | 1 | |
| 30 | 6H4-44173-01-00 | LEVER, SHIFT CONTROL | 1 | |
| 31 | 91690-30020-00 | PIN, SPRING | 1 | |
| 32 | 90464-15M27-00 | CLAMP | 1 | |

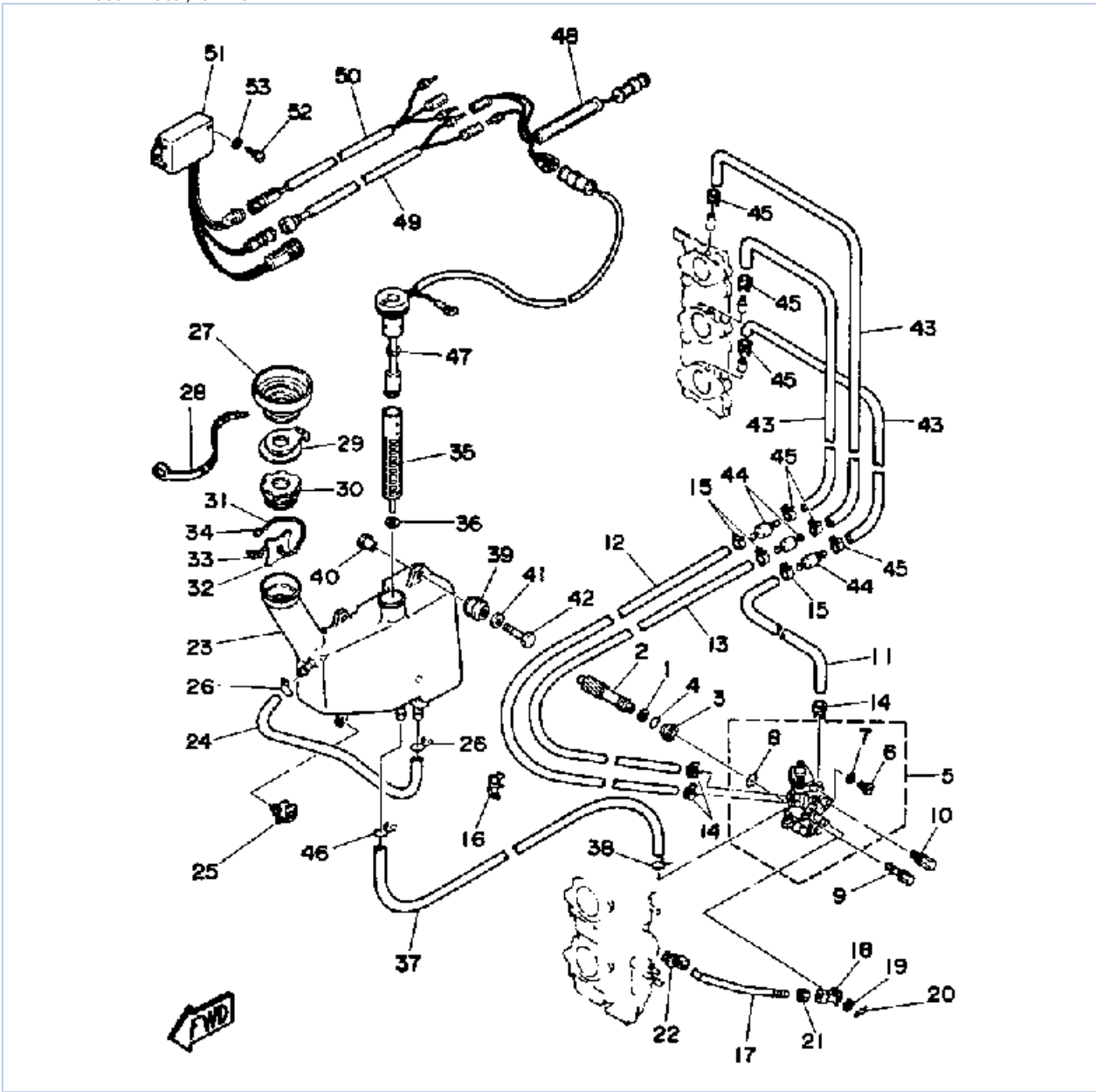
Part Notes

PRO50LF 1989 / ELECTRIC PARTS 2

| PART NUMBER | NOTE TEXT |
|--|--|
| 92990-06600-00  | OEM: This part number is among the Top 100 Most Popular Marine Maintenance Parts as of March 2014. |

©2014 Yamaha Motor Corporation, U.S.A. All rights reserved.

PRO50LF 1989 / OIL PUMP TANK



©2014 Yamaha Motor Corporation, U.S.A. All rights reserved.


Part List

PRO50LF 1989 / OIL PUMP TANK

| REF - NO | PART NUMBER | PART NAME | QUANTITY | REMARKS |
|----------------|-----------------|--------------------------|----------|---------|
| 1 | 90201-08M93-00 | WASHER, PLATE | 1 | |
| 2 | 6H4-11537-01-00 | GEAR, DRIVEN | 1 | |
| 3 | 6H1-13117-01-00 | COLLAR, DISTANCE | 1 | |
| 4 | 93210-13595-00 | O-RING | 1 | |
| 5 | 6H4-13200-02-00 | OIL PUMP KIT ASSY | 1 | |
| 6 | 6H1-13471-00-00 | .PLUG, DRAIN | 1 | |
| 7 | 1YU-13187-00-00 | .GASKET, BREATHER BOLT | 1 | |
| 8 | 93210-19M82-00 | .O-RING | 1 | |
| 9 | 90109-06M39-00 | BOLT | 1 | |
| 10 | 90109-06M40-00 | BOLT | 1 | |
| 11 | 90445-07M44-00 | HOSE (L250) | 1 | |
| 12 | 90445-07M23-00 | HOSE (L408) | 1 | |
| 13 | 90445-07MA6-00 | HOSE (L90) | 1 | |
| 14 | 90468-07M02-00 | CLIP | 3 | |
| 15 | 90468-07M02-00 | CLIP | 3 | |
| 16 | 90464-07M20-00 | CLAMP | 1 | |
| 17 | 6H4-41241-01-00 | ROD, LINK | 1 | |
| 18 | 6H1-41237-00-00 | JOINT, LINK | 1 | |
| 19 | 90202-05088-00 | WASHER, PLATE | 1 | |
| 20 | 90468-05M03-00 | CLIP | 1 | |
| 21 | 95380-05600-00 | NUT | 1 | |
| 22 | 6R5-41237-00-00 | JOINT, LINK | 1 | |
| 23 | 6H4-21707-03-00 | OIL TANK | 1 | |
| 24 | 90445-11M03-00 | HOSE (L330) | 1 | |
| 25 | 90464-11M23-00 | CLAMP | 1 | |
| 26 | 90467-11M08-00 | CLIP | 2 | |
| 27 | 6H4-21752-00-00 | TUBE, FILLER 1 | 1 | |
| 28 | 90465-13M36-00 | CLAMP | 1 | |
| 29 | 6H1-2176M-01-00 | HOOK | 1 | |
| 30 | 6H4-21770-00-00 | OIL TANK CAP ASSY | 1 | |
| 31 | 6H5-24633-00-00 | CHAIN, BALL | 1 | |
| 32 | 6J8-21758-00-00 | WASHER, SPECIAL 2 | 1 | |
| 33 | 6H1-21757-00-00 | WASHER, SPECIAL 1 | 1 | |
| 34 | 6H4-21757-00-00 | WASHER, SPECIAL 1 | 1 | |
| 35 | 6J8-13411-00-00 | STRAINER, OIL | 1 | |
| 36 | 6J8-13414-00-00 | GASKET, STRAINER COVER | 1 | |
| 37 | 6L2-13416-00-00 | PIPE, OIL 1 | 1 | |
| 38 | 90467-08004-00 | CLIP | 1 | |
| 39 | 6A0-82317-00-00 | DAMPER, IGNITION COIL | 3 | |
| 40 | 624-42542-00-00 | PIPE | 3 | |
| 41 | 90201-06050-00 | WASHER, PLATE | 3 | |
| 42 | 97313-06030-00 | BOLT | 3 | |
| 43 | 90445-07M87-00 | HOSE (L110) | 3 | |
| 44 | 6E9-13183-70-00 | VALVE, CHECK | 3 | |
| 45 | 90468-07M02-00 | CLIP | 6 | |
| 46 | 90467-11M08-00 | CLIP | 1 | |
| 47 | 6H5-85720-11-00 | OIL LEVEL GAUGE ASSEMBLY | 1 | |
| 48 | 6H4-81315-02-00 | LEAD WIRE ASSEMBLY | 1 | |
| 49 | 6H1-81971-12-00 | WIRE, LEAD | 1 | |
| 50 | 6H1-84348-12-00 | WIRE, LEAD 1 | 1 | |
| 51 | 6H1-85740-00-00 | RELAY ASSEMBLY | 1 | |
| 52 | 90167-06M00-00 | SCREW, TAPPING | 2 | |
| 53 | 92990-06200-00 | WASHER, PLAIN | 2 | |

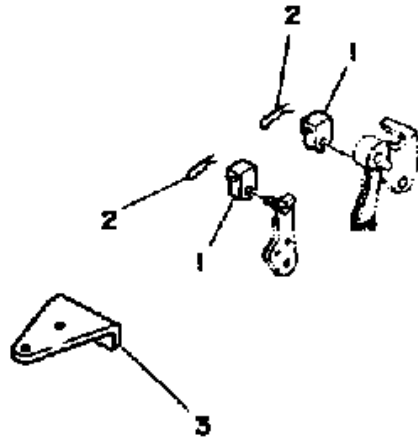
Part Notes

PRO50LF 1989 / OIL PUMP TANK

| PART NUMBER | | NOTE TEXT |
|-----------------|---|--|
| 6H1-41237-00-00 |  | OEM: This part number is among the Top 100 Most Popular Marine Maintenance Parts as of March 2014. |

©2014 Yamaha Motor Corporation, U.S.A. All rights reserved.

PRO50LF 1989 / REMOTE CONTROL ATTACHMENT



©2014 Yamaha Motor Corporation, U.S.A. All rights reserved.


Part List

PRO50LF 1989 / REMOTE CONTROL ATTACHMENT

| REF - NO | PART NUMBER | PART NAME | QUANTITY | REMARKS |
|----------------|-----------------|------------------------------|----------|---------|
| 1 | 6H4-48344-00-00 | CABLE END, REMOTE CONTROL | 2 | |
| 2 | 90468-18008-00 | CLIP | 2 | |
| 3 | 6H5-48511-51-EK | HOOK STEERING | 1 | |

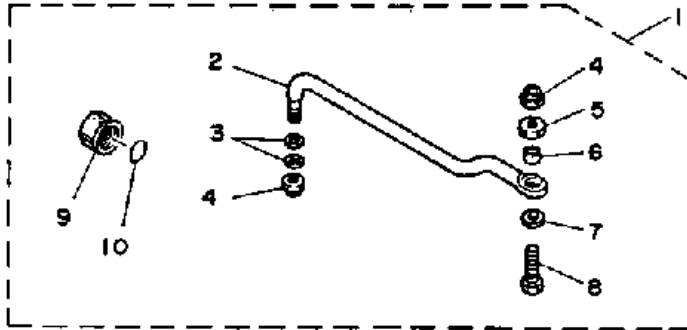
Part Notes

PRO50LF 1989 / REMOTE CONTROL ATTACHMENT

| PART NUMBER | NOTE TEXT |
|--|--|
| 90468-18008-00  | OEM: This part number is among the Top 100 Most Popular Marine Maintenance Parts as of March 2014. |

©2014 Yamaha Motor Corporation, U.S.A. All rights reserved.

PRO50LF 1989 / STEERING GUIDE ATTACHMENT



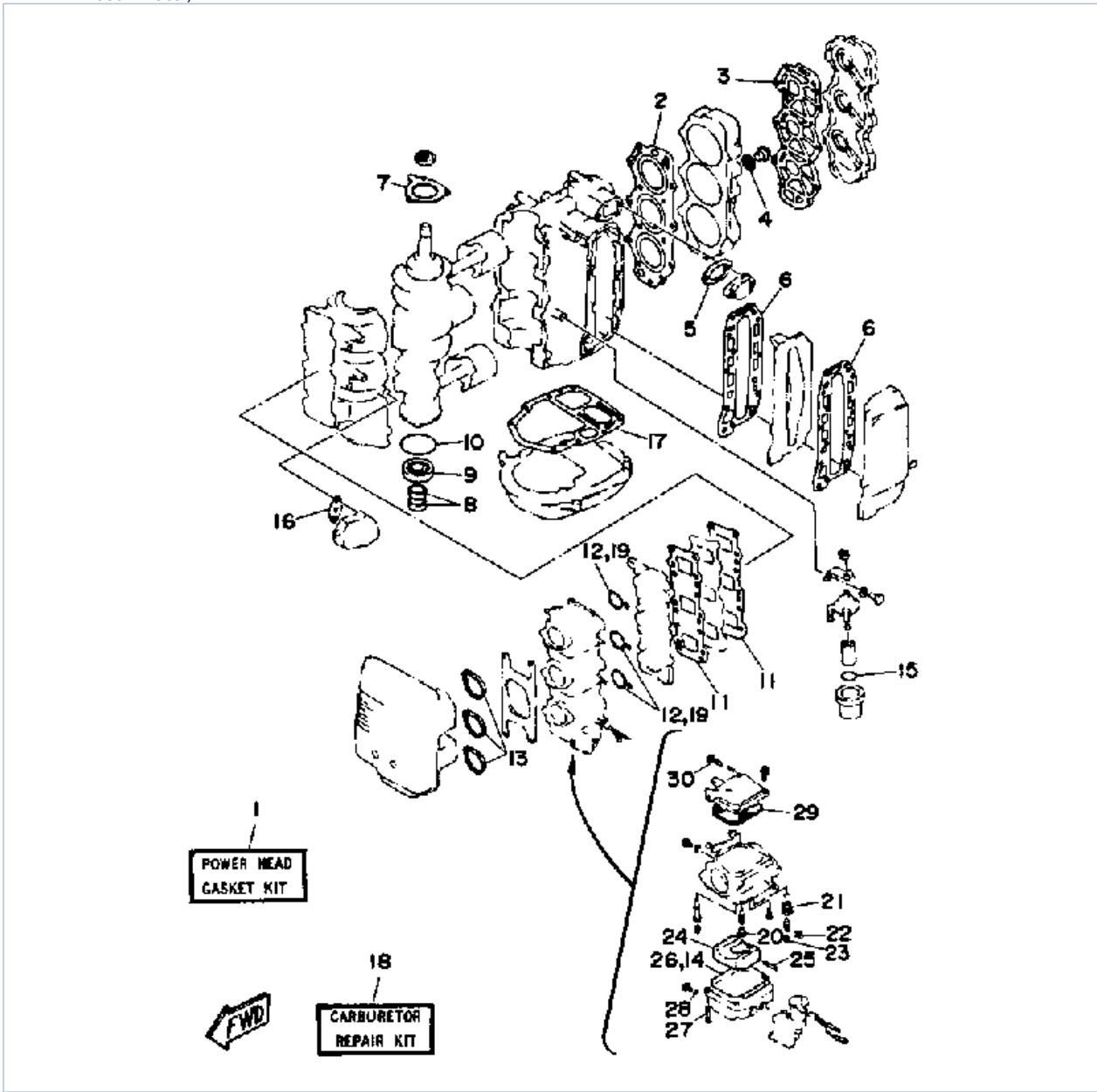
©2014 Yamaha Motor Corporation, U.S.A. All rights reserved.

Part List

PRO50LF 1989 / STEERING GUIDE ATTACHMENT

| REF - NO | PART NUMBER | PART NAME | QUANTITY | REMARKS |
|----------------|-----------------|----------------------------------|----------|---------|
| 1 | 688-61350-10-00 | STEERING GUIDE ATTACHMENT KIT | 1 | |
| 2 | 688-61351-10-00 | .ROD, STEERING LINK | 1 | |
| 3 | 90201-10M20-00 | .WASHER, PLATE | 2 | |
| 4 | 90185-09M01-00 | .NUT, SELF-LOCKING | 2 | |
| 5 | 90170-09M03-00 | .NUT | 1 | |
| 6 | 90387-10M42-00 | .COLLAR | 1 | |
| 7 | 90201-10M63-00 | .WASHER, PLATE | 1 | |
| 8 | 6E5-61355-00-00 | .BOLT | 1 | |
| 9 | 6E5-43145-00-00 | .CAP, CLAMP BRACKET | 1 | |
| 10 | 93210-16716-00 | .O-RING | 1 | |

PRO50LF 1989 / REPAIR KIT 1



©2014 Yamaha Motor Corporation, U.S.A. All rights reserved.


Part List

PRO50LF 1989 / REPAIR KIT 1

| REF - NO | PART NUMBER | PART NAME | QUANTITY | REMARKS |
|----------------|-----------------|------------------------------|----------|---------|
| 1 | 6H4-W0001-02-00 | PWR HEAD GASKIT KIT | 1 | |
| 2 | 6H4-11181-A0-00 | .GASKET, CYLINDER HEAD 1 | 1 | |
| 3 | 6H4-11193-00-00 | .GASKET, HEAD COVER 1 | 1 | |
| 4 | 90430-14115-00 | .GASKET | 1 | |
| 5 | 6J8-12414-A0-00 | .GASKET, COVER | 1 | |
| 6 | 6H4-41114-A0-00 | .GASKET, EXHAUST COVER | 2 | |
| 7 | 6H4-15369-A1-00 | .GASKET, OIL SEAL HOUSING | 1 | |
| 8 | 93101-16M36-00 | .OIL SEAL | 2 | |
| 9 | 93102-25M28-00 | .OIL SEAL | 1 | |
| 10 | 93210-57M09-00 | .O-RING | 1 | |
| 11 | 6H4-13621-A1-00 | .GASKET, VALVE SEAT | 2 | |
| 12 | 6H4-14198-01-00 | .GASKET | 3 | |
| 13 | 6H3-14457-01-00 | .SEAL | 3 | |
| 14 | 6H4-14984-00-00 | .GASKET, FLOAT CHAMBER | 3 | |
| 15 | 93210-37M25-00 | .O-RING | 1 | |
| 16 | 650-24431-A0-00 | .GASKET, FUEL PUMP 1 | 1 | |
| 17 | 6H4-45113-A0-00 | .GASKET, UPPER CASING | 1 | |
| 18 | 6H4-W0093-03-00 | CARBURETOR REPAIR KIT | 1 | |
| 19 | 6H4-14198-01-00 | .GASKET | 3 | |
| 20 | 676-14966-00-00 | .CAP | 3 | |
| 21 | 6H3-14590-00-00 | .NEEDLE VALVE ASSEMBLY | 3 | |
| 22 | 663-14159-00-00 | .CLIP | 3 | |
| 23 | 676-14186-00-00 | .PIN, FLOAT | 3 | |
| 24 | 6H4-14985-00-00 | .FLOAT | 3 | |
| 25 | 6H4-14548-00-00 | .PIN, FLOAT ARM | 3 | |
| 26 | 6H4-14984-00-00 | .GASKET, FLOAT CHAMBER | 3 | |
| 27 | 97980-04114-00 | .SCREW, WITH WASHER | 3 | |
| 28 | 93210-04230-00 | .O-RING | 3 | |
| 29 | 6H4-14147-00-00 | .O-RING | 3 | |
| 30 | 692-14923-00-00 | .SCREW, PILOT | 3 | |

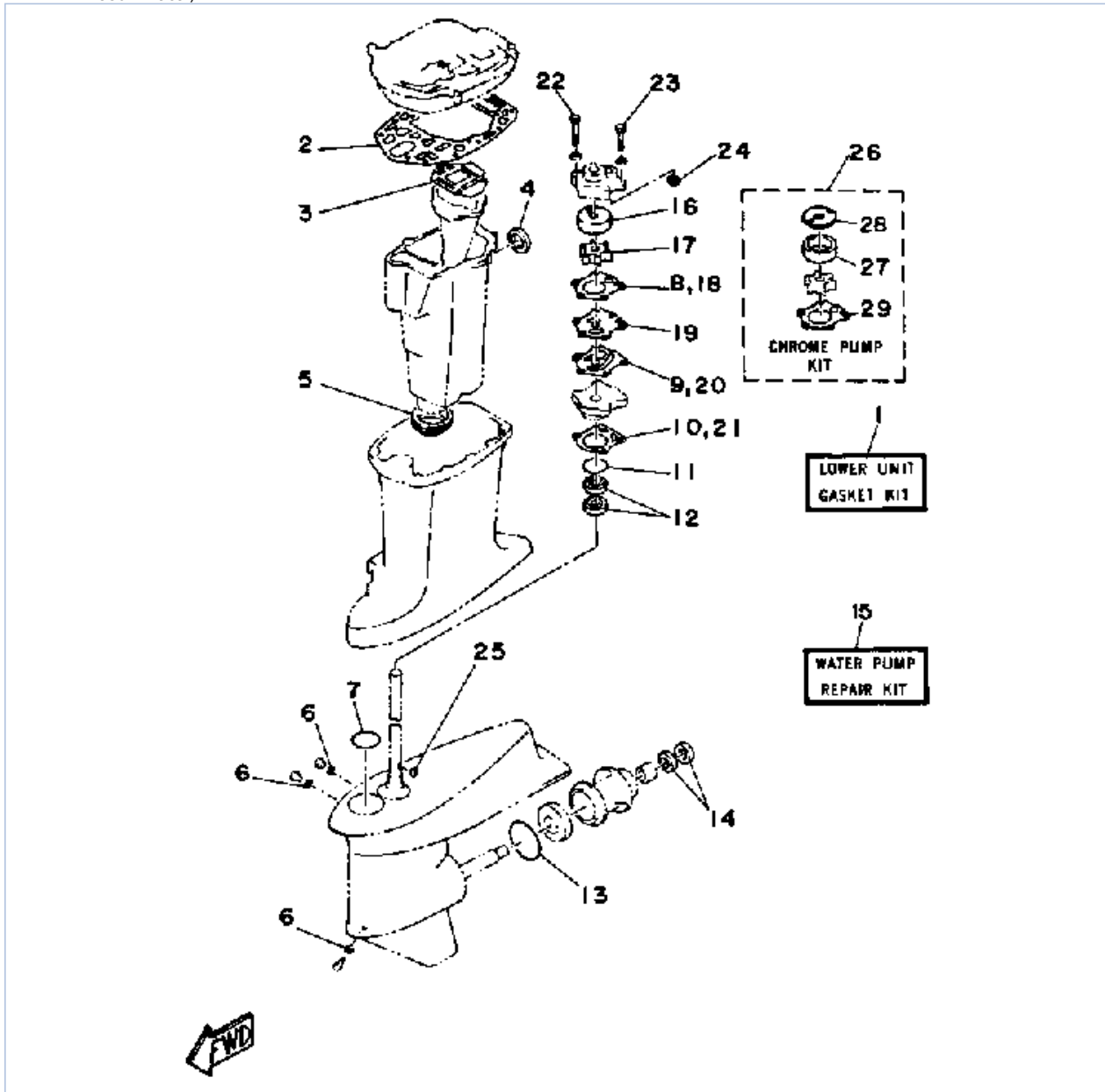
Part Notes

PRO50LF 1989 / REPAIR KIT 1

| PART NUMBER | NOTE TEXT |
|---|--|
| 650-24431-A0-00  | OEM: This part number is among the Top 100 Most Popular Marine Maintenance Parts as of March 2014. |

©2014 Yamaha Motor Corporation, U.S.A. All rights reserved.

PRO50LF 1989 / REPAIR KIT 2



©2014 Yamaha Motor Corporation, U.S.A. All rights reserved.



Part List

PRO50LF 1989 / REPAIR KIT 2

| REF - NO | PART NUMBER | PART NAME | QUANTITY | REMARKS |
|----------|-----------------|-----------------------------|----------|---------|
| 1 | 6H4-W0001-20-00 | LOWER UNIT GASKET KIT | 1 | |
| 2 | 6H4-45114-A1-00 | .GASKET, UPPER CASING | 1 | |
| 3 | 6H4-41134-A0-00 | .GASKET, EXHAUST MANIFOLD | 1 | |
| 4 | 6H4-41133-00-00 | .GASKET, EXHAUST MANIFOLD 1 | 1 | |
| 5 | 663-45123-00-00 | .GASKET, MUFFLER | 1 | |
| 6 | 90430-08020-00 | .GASKET | 3 | |
| 7 | 93210-49046-00 | .O-RING | 1 | |
| 8 | 663-44315-00-00 | .GASKET, WATER PUMP | 1 | |
| 9 | 663-44324-00-00 | .OIL SEAL | 1 | |
| 10 | 663-44316-00-00 | .GASKET, WATER PUMP | 1 | |
| 11 | 93210-41042-00 | .O-RING | 1 | |
| 12 | 93101-23070-00 | .OIL SEAL | 2 | |
| 13 | 93210-66M98-00 | .O-RING | 1 | |
| 14 | 93101-22067-00 | .OIL SEAL | 2 | |
| 15 | 6H4-W0078-00-00 | WATER PUMP REPAIR KIT | 1 | |
| 16 | 663-44322-00-00 | .INSERT, CARTRIDGE | 1 | |
| 17 | 6H4-44352-02-00 | .IMPELLER | 1 | |
| 18 | 663-44315-00-00 | .GASKET, WATER PUMP | 1 | |
| 19 | 663-44323-00-00 | .OUTER PLATE, CARTRIDGE | 1 | |
| 20 | 663-44324-00-00 | .OIL SEAL | 1 | |
| 21 | 663-44316-00-00 | .GASKET, WATER PUMP | 1 | |
| 22 | 97395-08055-00 | .BOLT | 2 | |
| 23 | 97395-08045-00 | .BOLT | 2 | |
| 24 | 663-44366-00-00 | .DAMPER, WATER SEAL 2 | 1 | |
| 25 | 90280-03024-00 | .KEY, WOODRUFF | 1 | |
| 26 | 6H4-W0078-0A-00 | CHROME PUMP KIT | 1 | |
| 27 | 670-44322-01-00 | .INSERT, CARTRIDGE | 1 | |
| 28 | 670-44321-00-00 | .INNER PLATE, CARTRIDGE | 1 | |
| 29 | 670-44323-00-00 | .OUTER PLATE, CARTRIDGE | 1 | |

Part Notes

PRO50LF 1989 / REPAIR KIT 2

| PART NUMBER | | NOTE TEXT |
|-----------------|---|--|
| 90430-08020-00 |  | OEM: This part number is among the Top 100 Most Popular Marine Maintenance Parts as of March 2014. |
| 6H4-44352-02-00 |  | OEM: This part number is among the Top 100 Most Popular Marine Maintenance Parts as of March 2014. |

©2014 Yamaha Motor Corporation, U.S.A. All rights reserved.

©2014 Yamaha Motor Corporation, U.S.A. All rights reserved.