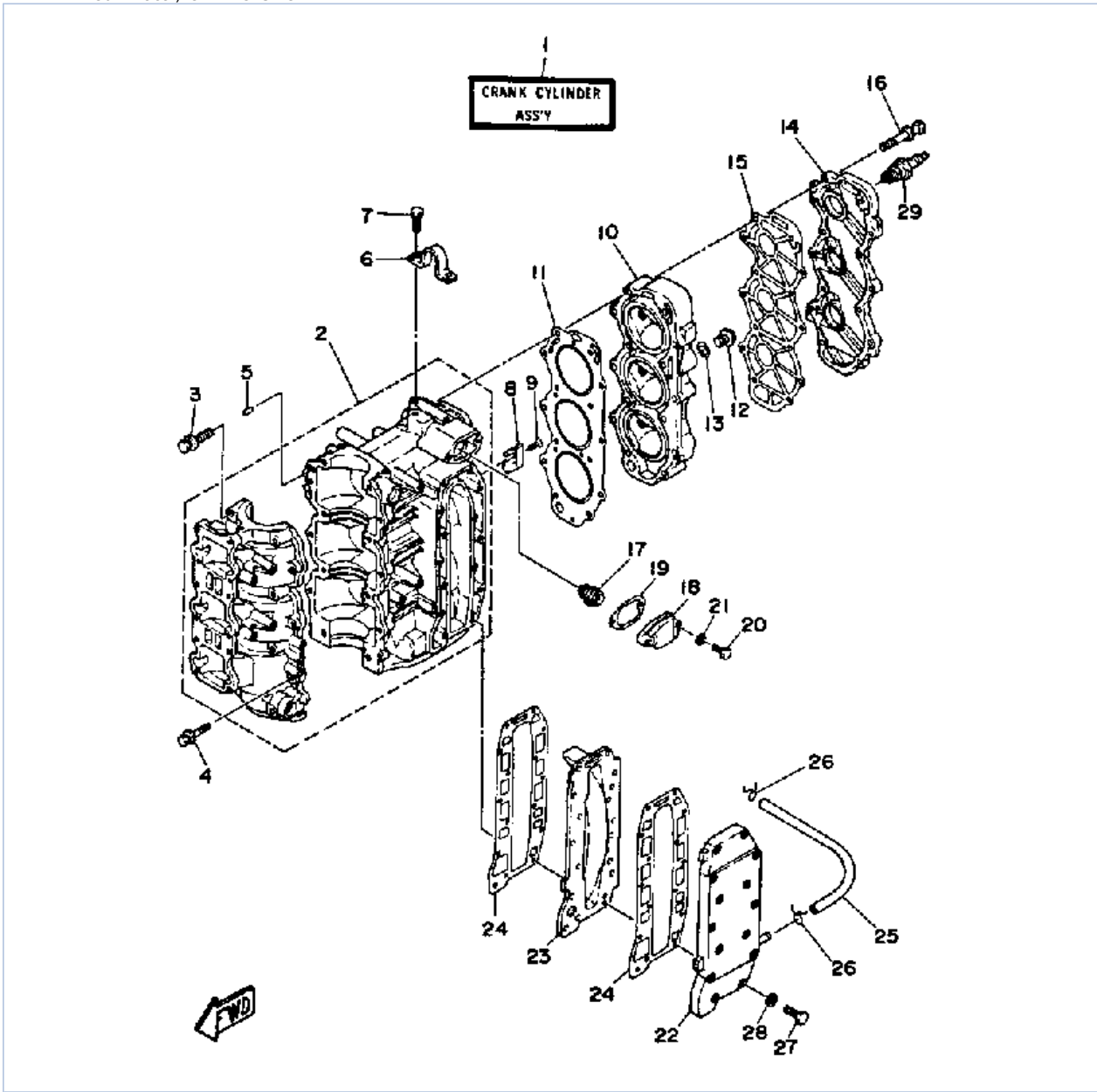


PR50LF 1989 / CRANKCASE CYLINDER



©2014 Yamaha Motor Corporation, U.S.A. All rights reserved.



## Part List

PR50LF 1989 / CRANKCASE CYLINDER

REF - NO	PART NUMBER	PART NAME	QUANTITY	REMARKS
1	6H4-W0090-41-EK	CRANK-CYLINDER ASSEMBLY	1	
2	6H4-15100-11-94	CRANKCASE ASSEMBLY	1	
3	90119-08M19-00	BOLT, WITH WASHER	8	
4	90119-06M13-00	BOLT, WITH WASHER	6	
5	93606-12019-00	.PIN, DOWEL	2	
6	6H4-11119-00-00	HANGER, ENGINE	1	
7	97313-06014-00	BOLT, HEXAGON	2	
8	688-11325-00-00	ANODE	2	
9	98680-04016-00	SCREW OVAL HEAD	2	
10	6H4-11111-01-94	HEAD, CYLINDER 1	1	
11	6H4-11181-A0-00	GASKET, CYLINDER HEAD 1	1	
12	90340-14M00-00	.PLUG, STRAIGHT SCREW	1	
13	90430-14115-00	.GASKET	1	
14	6H4-11191-01-9M	COVER, CYLINDER HEAD 1	1	
15	6H4-11193-00-00	GASKET, HEAD COVER 1	1	
16	90119-08M29-00	BOLT, WITH WASHER	14	
17	6E5-12411-20-00	THERMOSTAT	1	
18	6H4-12413-00-9M	COVER, THERMOSTAT	1	
19	6J8-12414-A0-00	GASKET, COVER	1	
20	97313-06025-00	BOLT	2	
21	92990-06600-00	WASHER, PLATE	2	
22	6H4-41113-00-9M	OUTER COVER, EXHAUST	1	
23	6H4-41111-00-9M	INNER COVER, EXHAUST	1	
24	6H4-41114-A0-00	GASKET, EXHAUST COVER	2	
25	90445-09M37-00	HOSE (L240)	1	
26	90467-08004-00	CLIP	1	
27	97013-06035-00	BOLT	14	
28	92990-06600-00	WASHER, PLATE	14	
29	NGK-B8HS1-00-00	PLUG, SPARK (NGK B8HS-10)	3	

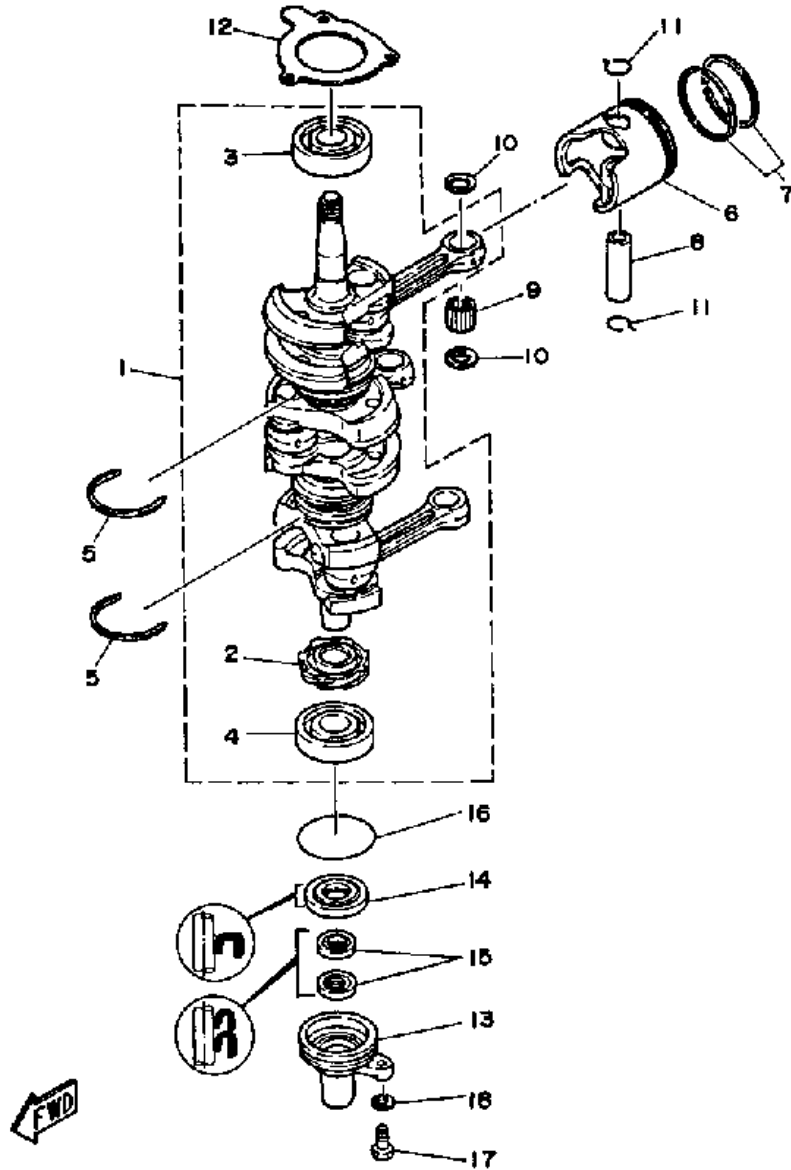
## Part Notes

PR50LF 1989 / CRANKCASE CYLINDER

PART NUMBER	NOTE TEXT
92990-06600-00 	OEM: This part number is among the Top 100 Most Popular Marine Maintenance Parts as of March 2014.
92990-06600-00 	OEM: This part number is among the Top 100 Most Popular Marine Maintenance Parts as of March 2014.

©2014 Yamaha Motor Corporation, U.S.A. All rights reserved.

PR50LF 1989 / CRANK PISTON



©2014 Yamaha Motor Corporation, U.S.A. All rights reserved.



## Part List

PR50LF 1989 / CRANK PISTON

REF - NO	PART NUMBER	PART NAME	QUANTITY	REMARKS
1	6H4-11400-14-00	CRANKSHAFT ASSY	1	
2	6H4-11536-00-00	.GEAR, DRIVE	1	
3	93306-305U8-00	.BEARING	1	
4	93306-305U8-00	.BEARING	1	
5	93440-62057-00	CIRCLIP, OUTER	2	
6	6H4-11636-01-00	PISTON (0.50MM O/S)	3	AP
6	6H4-11631-01-95	PISTON (STD)	3	
7	6H4-11601-20-00	PISTON RING SET (0.50MM O/S)	3	AP
7	6H4-11601-00-00	PISTON RING SET (STD)	3	
8	648-11633-00-00	PIN, PISTON	3	
9	93602-20M02-00	PIN, DOWEL	93	
10	6H4-11641-00-00	WASHER, PISTON PIN	6	
11	6H4-11634-01-00	CLIP, PISTON PIN	6	
12	6H4-15369-A1-00	GASKET, OIL SEAL HOUSING	1	
13	6H4-15396-02-5B	HOUSING, OIL SEAL	1	
14	93102-25M28-00	OIL SEAL	1	
15	93101-16M36-00	OIL SEAL	2	
16	93210-57M09-00	.O-RING	1	
17	97313-06020-00	BOLT, HEXAGON	1	
18	92990-06600-00	WASHER, PLATE	1	

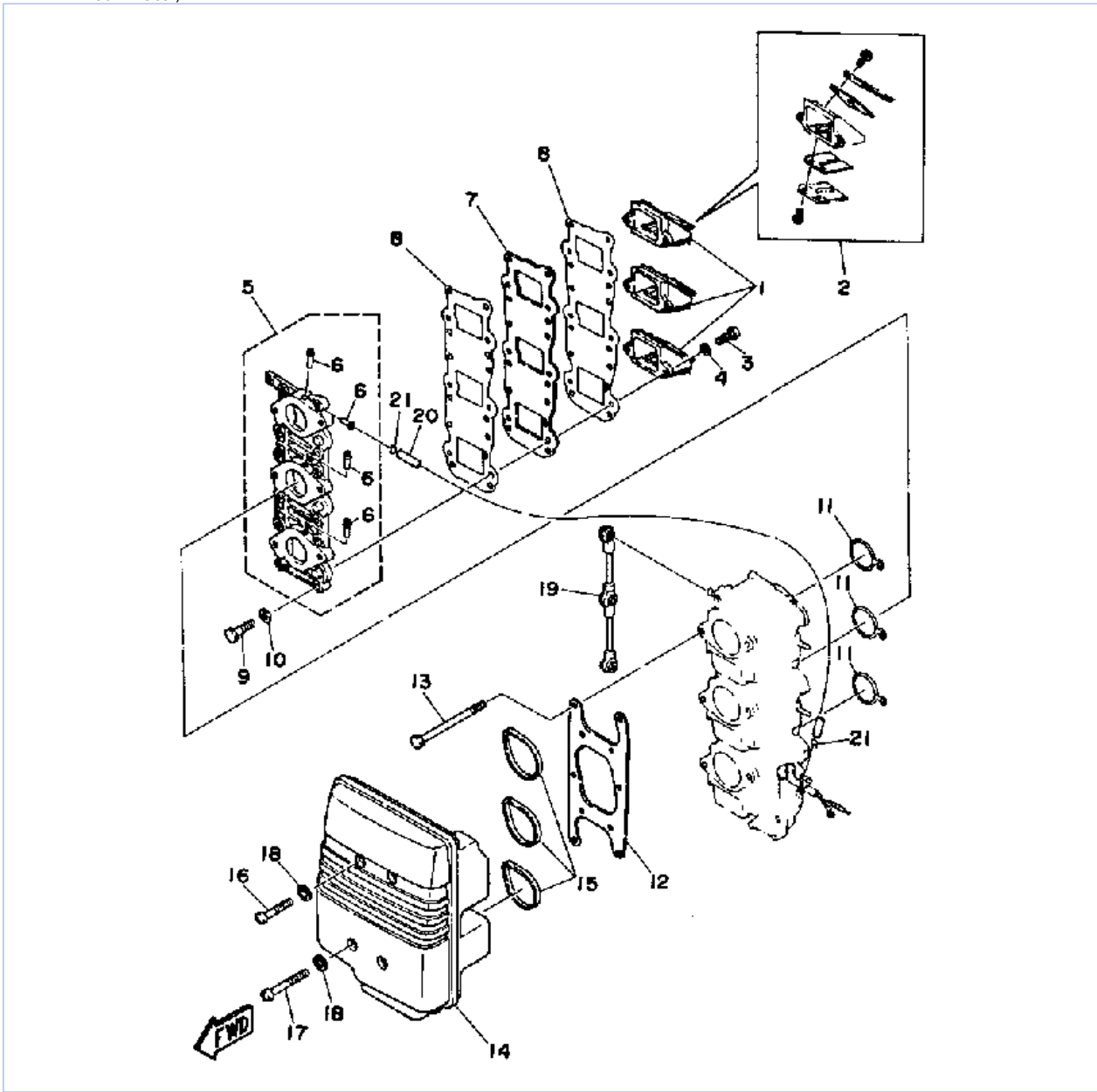
## Part Notes

PR50LF 1989 / CRANK PISTON

PART NUMBER	NOTE TEXT
93602-20M02-00 	OEM: This part number is among the Top 100 Most Popular Marine Maintenance Parts as of March 2014.
92990-06600-00 	OEM: This part number is among the Top 100 Most Popular Marine Maintenance Parts as of March 2014.

©2014 Yamaha Motor Corporation, U.S.A. All rights reserved.

PR50LF 1989 / INTAKE



©2014 Yamaha Motor Corporation, U.S.A. All rights reserved.


## Part List

PR50LF 1989 / INTAKE

REF - NO	PART NUMBER	PART NAME	QUANTITY	REMARKS
1	6H5-13610-00-00	REED VALVE ASSY	3	
2	6H4-W0004-00-00	.REED SET	1	
3	98580-05016-00	SCREW, PAN HEAD	6	
4	92990-05600-00	WASHER, PLATE	6	
5	6H4-13641-12-94	MANIFOLD 1	1	
6	6H1-14485-00-00	.PIPE, JOINT	4	
7	6H4-13624-01-94	PLATE, REED VALVE	1	
8	6H4-13621-A1-00	GASKET, VALVE SEAT	2	
9	97313-06020-00	BOLT, HEXAGON	12	
10	92990-06600-00	WASHER, PLATE	12	
11	6H4-14198-01-00	.GASKET	3	
12	6H4-14406-00-00	HINGE	1	
13	97313-06095-00	BOLT, HEXAGON	6	
14	6H4-14431-01-00	SILENCER, INTAKE 1	1	
15	6H3-14457-01-00	SEAL	3	
16	98580-06040-00	SCREW, PAN HEAD	2	
17	98580-06055-00	SCREW, PANHEAD	2	
18	90209-06M05-00	WASHER	4	
19	6H4-41217-01-00	ROD, ACCEL. LEVER	1	
20	90445-07M24-00	HOSE (L240)	1	
21	90467-06016-00	CLIP	2	

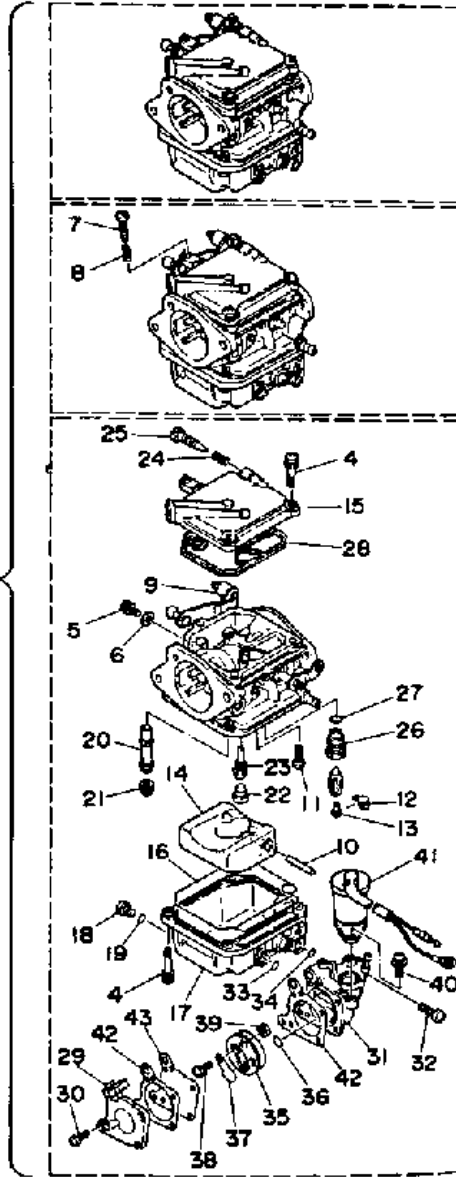
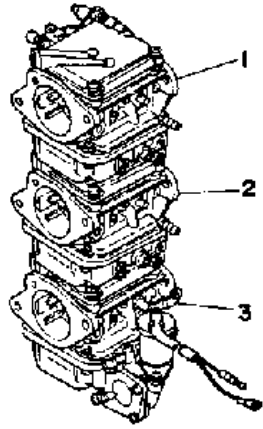
## Part Notes

PR50LF 1989 / INTAKE

PART NUMBER	NOTE TEXT
92990-06600-00 	OEM: This part number is among the Top 100 Most Popular Marine Maintenance Parts as of March 2014.

©2014 Yamaha Motor Corporation, U.S.A. All rights reserved.

PR50LF 1989 / CARBURETOR



©2014 Yamaha Motor Corporation, U.S.A. All rights reserved.

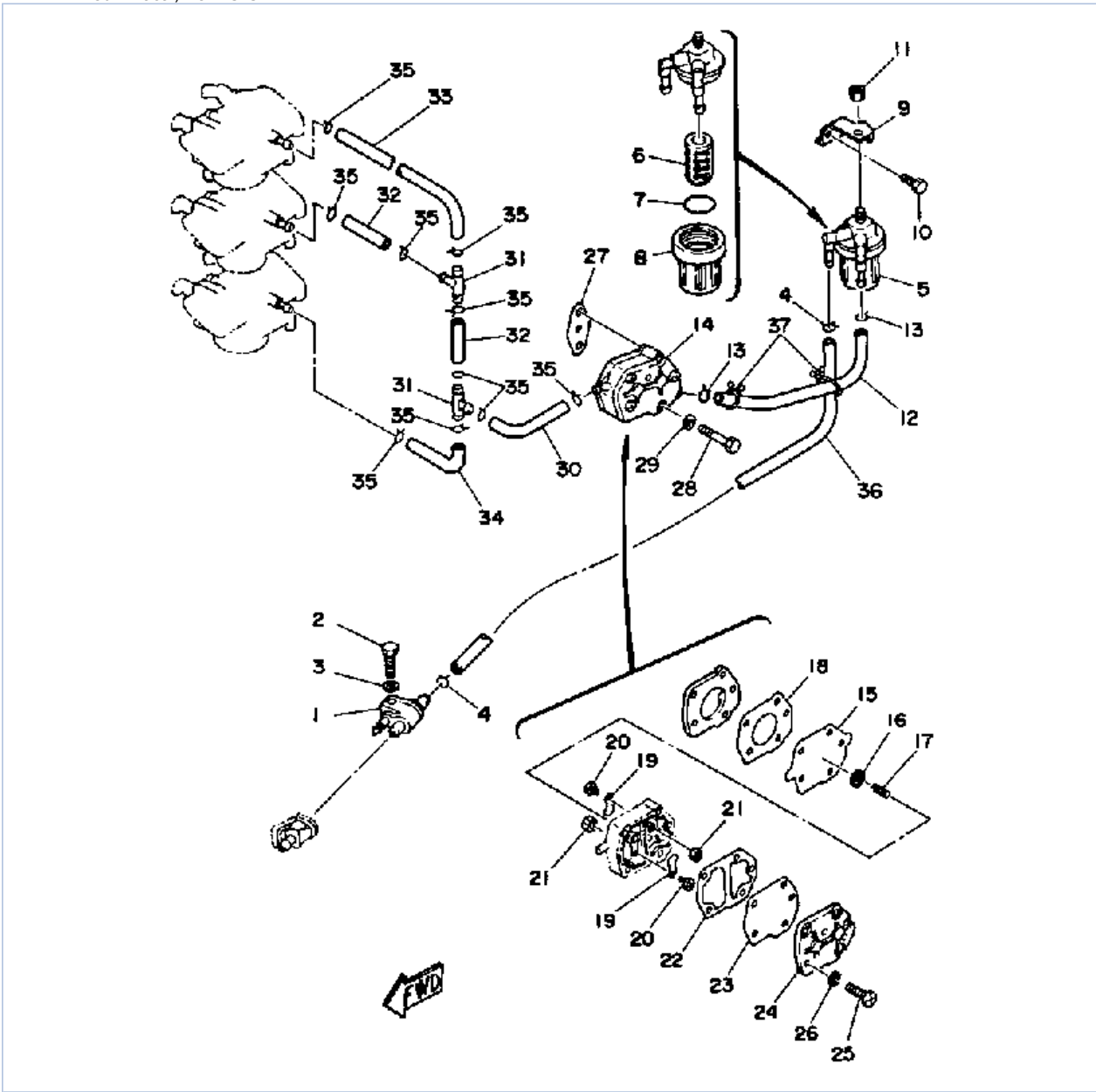
## Part List

PR50LF 1989 / CARBURETOR

REF - NO	PART NUMBER	PART NAME	QUANTITY	REMARKS
1	6H5-14301-11-00	CARBURETOR ASSEMBLY 1	1	
2	6H5-14302-11-00	CARBURETOR ASSEMBLY 2	1	
3	6H5-14303-10-00	CARBURETOR (LOWER)	1	
4	97980-04114-00	.SCREW, WITH WASHER	21	
5	663-14592-00-00	.SCREW	3	
6	90201-05652-00	.WASHER, PLATE	3	
7	663-14523-00-00	.SCREW, STOP	1	CENTER
8	90501-10326-00	.SPRING, COMPRESSION	1	CENTER
9	6H2-14578-00-00	.COLLAR	1	LOWER
10	6H4-14548-00-00	.PIN, FLOAT ARM	3	
11	98580-04008-00	.SCREW, PAN HEAD	3	
12	663-14159-00-00	.CLIP	3	
13	676-14186-00-00	.PIN, FLOAT	3	
14	6H4-14985-00-00	.FLOAT	3	
15	6H4-14146-00-00	.PLATE	3	
16	6H4-14984-00-00	.GASKET, FLOAT CHAMBER	3	
17	6H4-14980-00-00	.BODY, FLOAT CHAMBER	2	UR UPPER/ CENTER
17	6H4-14980-10-00	.BODY, FLOAT CHAMBER	1	UR LOWER
18	6H3-14992-00-00	.SCREW, DRAIN	3	
19	93210-04230-00	.O-RING	3	
20	6H5-14947-07-00	.JET, NEEDLE	3	
21	676-14943-34-00	.JET, MAIN (135)	3	
22	676-14966-00-00	.CAP	3	
23	6H4-14948-12-00	.JET (#62)	3	
24	679-14555-00-00	.SPRING	3	
25	692-14923-00-00	.SCREW, PILOT	3	
26	6H3-14590-00-00	.NEEDLE VALVE ASSEMBLY	3	
27	93210-04228-00	.O-RING	3	
28	6H4-14147-00-00	.O-RING	3	
29	6H4-24452-00-00	.COVER	1	LOWER
30	97680-03108-00	.SCREW, PAN HEAD W/WASHER	4	LOWER
31	6H4-24412-00-00	.BODY 1	1	LOWER
32	6H4-14592-00-00	.SCREW	2	LOWER
33	6H4-14561-00-00	.O-RING	1	LOWER
34	6H4-14562-00-00	.O-RING	1	LOWER
35	6H4-24413-00-00	.BODY 2	1	LOWER
36	6H4-24486-00-00	.O-RING	1	LOWER
37	6L5-24421-00-00	.VALVE, CHECK	2	LOWER
38	98902-03006-00	.SCREW, BIND	2	LOWER
39	90179-03478-00	.NUT, SPECIAL SHAPE 0 2	2	LOWER
40	97980-05310-00	.SCREW, WITH WASHER	2	LOWER
41	6H4-86120-00-00	.SOLENOID VALVE ASSEMBLY	1	LOWER
42	6H5-24434-00-00	.GASKET, BODY	2	LOWER
43	6H4-24411-00-00	.DIAPHRAGM	1	LOWER



PR50LF 1989 / FUEL SYSTEM



©2014 Yamaha Motor Corporation, U.S.A. All rights reserved.




## Part List

PR50LF 1989 / FUEL SYSTEM

REF - NO	PART NUMBER	PART NAME	QUANTITY	REMARKS
1	6G1-24304-02-00	FUEL PIPE JOINT COMP. 1	1	
2	97313-06025-00	BOLT	1	
3	92990-06600-00	WASHER, PLATE	1	
4	90467-08004-00	CLIP	2	
5	655-24560-01-00	FILTER ASSEMBLY	1	
6	6F5-24563-00-00	.ELEMENT, FILTER	1	
7	93210-37M25-00	.O-RING	1	
8	655-24521-01-00	.CUP, FILTER	1	
9	6H4-24566-01-00	BRACKET, FILTER	1	
10	97013-06012-00	BOLT	1	
11	95333-08600-00	NUT	1	
12	6H4-24314-00-00	PIPE 4	1	
13	90467-08004-00	CLIP	2	
14	6A0-24410-05-00	FUEL PUMP ASSEMBLY	1	
15	648-24411-00-00	.DIAPHRAGM	1	
16	648-24424-00-00	.SEAT, SPRING	1	
17	648-24423-00-00	.SPRING, DIAPHRAGM	1	
18	648-24434-01-00	.GASKET, BODY	1	
19	6A0-24421-01-00	.VALVE, CHECK	2	
20	90147-03M00-00	.SCREW, PAN HEAD	2	
21	98813-03100-00	.NUT	2	
22	648-24435-02-00	.GASKET, BODY 2	1	
23	663-24411-00-00	.DIAPHRAGM	1	
24	6A0-24413-00-00	.BODY 2	1	
25	98580-05530-00	.SCREW, PAN HEAD	3	
26	92990-05100-00	.WASHER, SPRING	3	
27	650-24431-A0-00	GASKET, FUEL PUMP 1	1	
28	97313-06040-00	BOLT, HEXAGON	2	
29	92990-06600-00	WASHER, PLATE	2	
30	90445-09063-00	HOSE (L80)	1	
31	688-24378-00-00	PIPE, JOINT 3	2	
32	90445-09057-00	HOSE (L43)	2	
33	6H4-24313-00-00	PIPE 3	1	
34	6H4-24312-00-00	PIPE 2	1	
35	90467-08004-00	CLIP	10	
36	6H4-24311-00-00	PIPE, FUEL 1	1	
37	90464-16039-00	CLAMP	3	

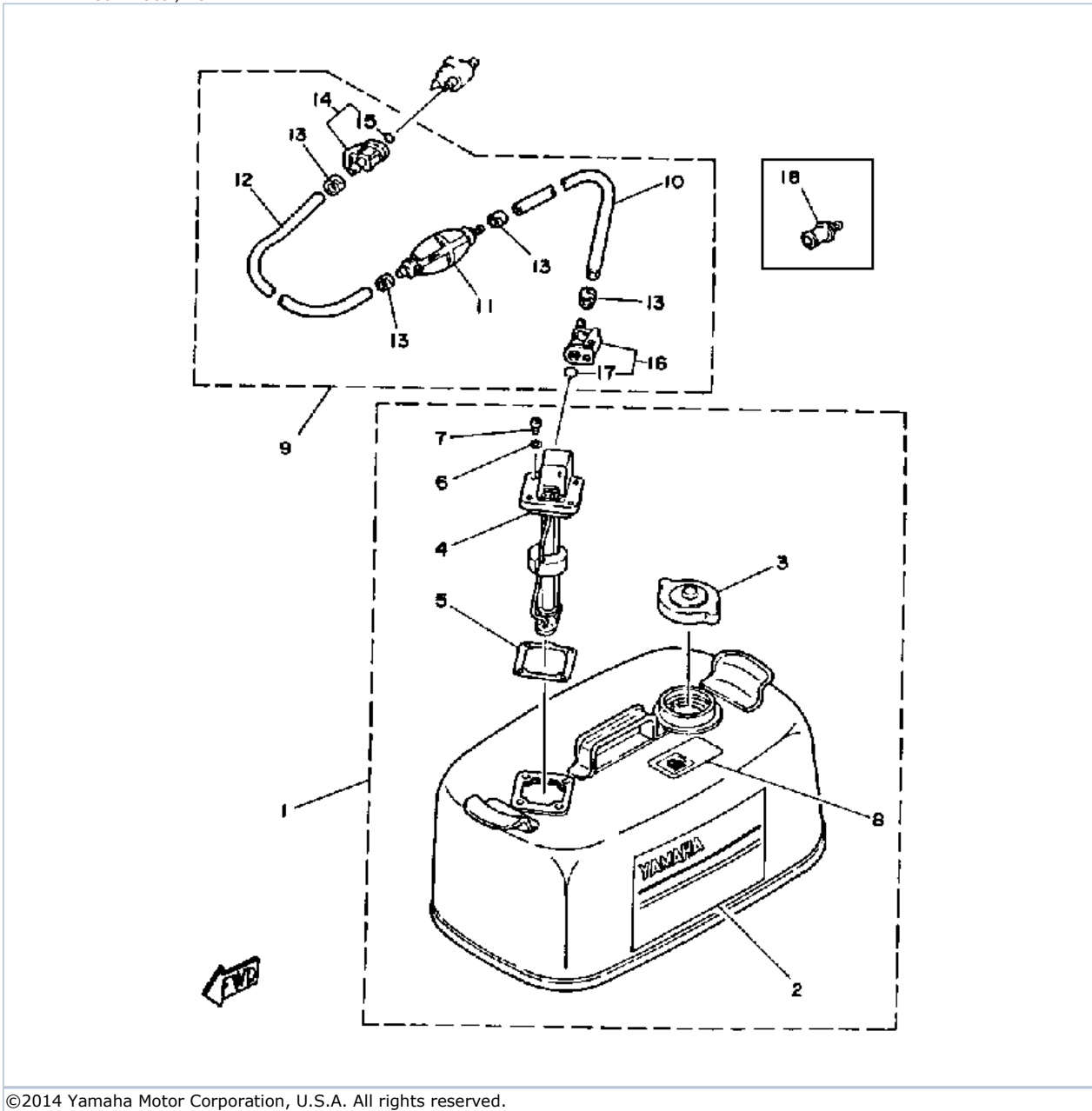
## Part Notes

PR50LF 1989 / FUEL SYSTEM

PART NUMBER	NOTE TEXT
92990-06600-00 	OEM: This part number is among the Top 100 Most Popular Marine Maintenance Parts as of March 2014.
650-24431-A0-00 	OEM: This part number is among the Top 100 Most Popular Marine Maintenance Parts as of March 2014.
92990-06600-00 	OEM: This part number is among the Top 100 Most Popular Marine Maintenance Parts as of March 2014.

©2014 Yamaha Motor Corporation, U.S.A. All rights reserved.

PR50LF 1989 / FUEL TANK



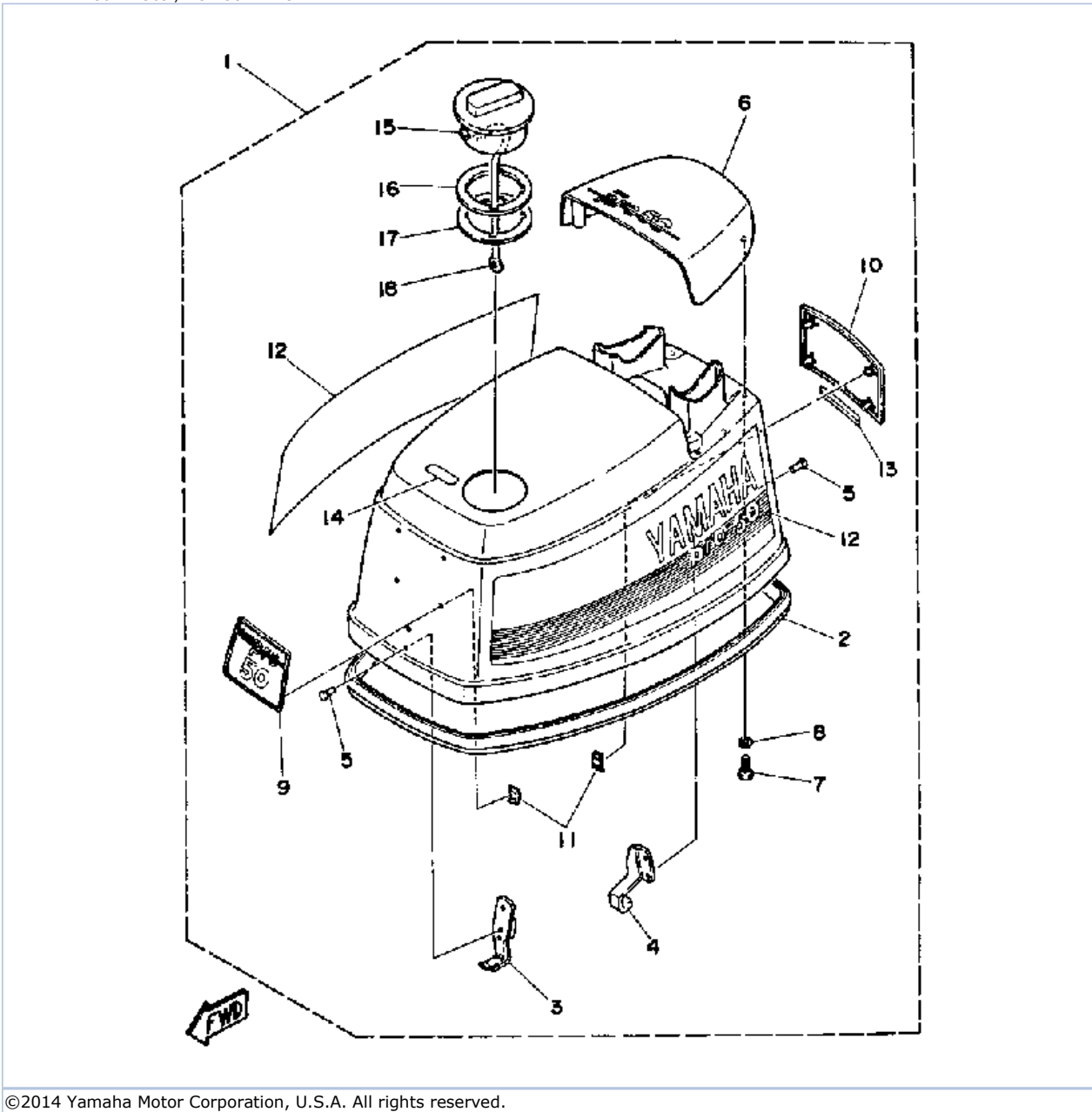
©2014 Yamaha Motor Corporation, U.S.A. All rights reserved.

## Part List

PR50LF 1989 / FUEL TANK

REF - NO	PART NUMBER	PART NAME	QUANTITY	REMARKS
1	6Y1-W2420-42-24	FUEL TANK ASSEMBLY	1	
2	6Y1-24244-20-00	.GRAPHIC, SIDE	1	
3	6Y1-24610-00-00	.CAP ASSEMBLY	1	
4	6Y1-24260-02-00	.FUEL METER ASSEMBLY	1	
5	6Y1-24268-00-00	.GASKET, FUEL METER	1	
6	6Y1-24329-00-00	.SEAL	4	
7	98586-05016-00	.SCREW, PAN HEAD	4	
8	6Y1-24256-50-00	.GRAPHIC, FUEL TANK	1	
9	6Y1-24306-51-00	FUEL PIPE COMP. 1	1	
10	90445-11M06-00	.HOSE (L2050)	1	
11	6Y1-24360-51-00	.PRIMER PUMP ASSY	1	
12	90445-11M05-00	.HOSE (L850)	1	
13	650-24351-51-00	.BAND 1	4	
14	6G1-24305-01-00	.FUEL PIPE JOINT COMP 2	1	
15	93210-08287-00	..O-RING	1	
16	6Y1-24305-02-00	.FUEL PIPE JOINT COMP 2	1	
17	93210-08287-00	..O-RING	1	
18	ABB-FLUSH-JD-00	JET DRIVE FLUSH	1	

PR50LF 1989 / TOP COWLING



©2014 Yamaha Motor Corporation, U.S.A. All rights reserved.


## Part List

PR50LF 1989 / TOP COWLING

REF - NO	PART NUMBER	PART NAME	QUANTITY	REMARKS
1	6H5-42610-Y1-EK	TOP COWLING ASSEMBLY	1	
2	6H4-42615-00-00	.SEAL	1	
3	6H4-42651-00-00	.HOOK	1	
4	6H4-42652-00-00	.HOOK	1	
5	90266-04M01-00	.RIVET	4	
6	6H4-42613-10-EK	.MOLDING, AIR DUCT	1	
7	97313-06016-00	.BOLT, HEXAGON	4	
8	92990-06600-00	.WASHER, PLATE	4	
9	6H5-42686-Y0-00	.EMBLEM, FRONT	1	
10	6H5-42687-Y0-00	.EMBLEM, REAR	1	
11	90183-05M01-00	.NUT, SPRING	9	
12	6H5-W0070-Y0-00	.GRAPHIC SET	1	
13	6H5-42683-Y0-00	MARK, COWLING 3	1	
14	6H4-13436-40-00	.MARK	1	
15	6H1-2177H-01-00	.DISK CAP 2	1	
16	6H3-21732-00-00	.SEAL 1	1	
17	6H3-21735-00-00	.SEAL 2	1	
18	6H1-42694-00-00	.BAND	1	

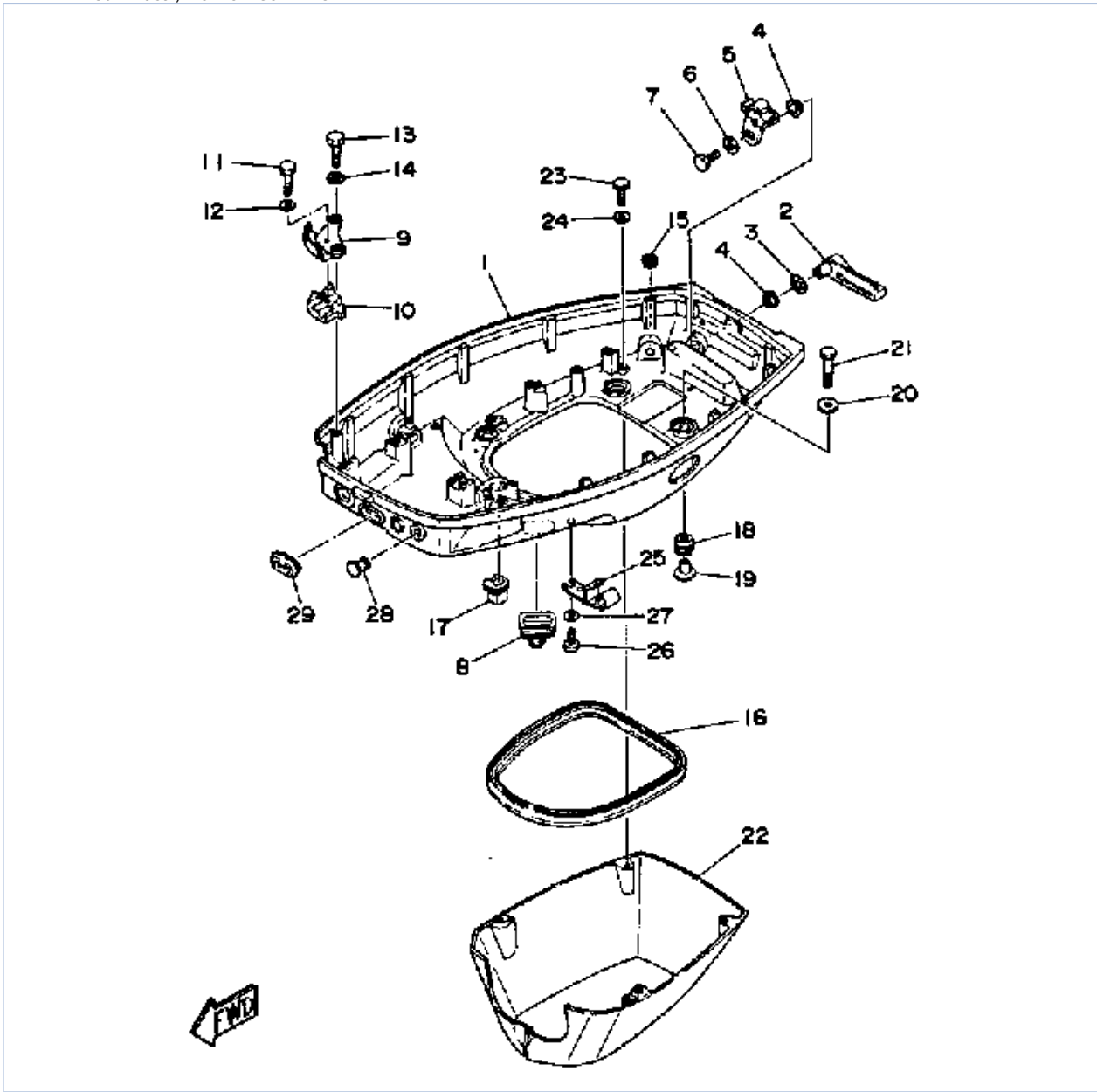
## Part Notes

PR50LF 1989 / TOP COWLING

PART NUMBER	NOTE TEXT
92990-06600-00 	OEM: This part number is among the Top 100 Most Popular Marine Maintenance Parts as of March 2014.

©2014 Yamaha Motor Corporation, U.S.A. All rights reserved.

PR50LF 1989 / BOTTOM COWLING



©2014 Yamaha Motor Corporation, U.S.A. All rights reserved.




## Part List

PR50LF 1989 / BOTTOM COWLING

REF - NO	PART NUMBER	PART NAME	QUANTITY	REMARKS
1	6H4-42711-23-EK	COWLING BOTTOM	1	
2	6H4-42815-00-00	LEVER, CLAMP	1	
3	90206-12052-00	WASHER, WAVE	1	
4	90386-12069-00	BUSH	2	
5	6H4-42816-00-00	LEVER, CLAMP	1	
6	90201-06M02-00	WASHER, PLATE	1	
7	97313-06010-00	BOLT, HEXAGON	1	
8	688-42726-10-00	GROMMET	1	
9	6H4-48531-10-94	BRACKET, REMOTE CONTROL 1	1	
10	6H4-48532-10-94	BRACKET, REMOTE CONTROL 2	1	
11	97313-05016-00	BOLT, HEXAGON	1	
12	92990-05600-00	WASHER, PLATE	1	
13	97313-06020-00	BOLT, HEXAGON	2	
14	92990-06600-00	WASHER, PLATE	2	
15	6E5-44391-00-00	NIPPLE, HOSE	1	
16	6H4-42716-00-00	RUBBER, SEAL 1	1	
17	682-42727-00-00	GROMMET	1	
18	90480-09M21-00	GROMMET	4	
19	90387-06M41-00	COLLAR	4	
20	90201-06416-00	WASHER, PLATE	4	
21	97313-06030-00	BOLT	4	
22	6H4-42741-00-00	APRON 1	1	
23	97313-06016-00	BOLT, HEXAGON	4	
24	92990-06600-00	WASHER, PLATE	4	
25	6E5-24367-01-00	CLAMP, FUEL PIPE 2	1	
26	90157-06M01-00	SCREW, PAN HEAD	1	
27	92990-06600-00	WASHER, PLATE	1	
28	6G1-42748-00-00	GROMMET	1	
29	6H3-42727-00-00	GROMMET	1	

## Part Notes

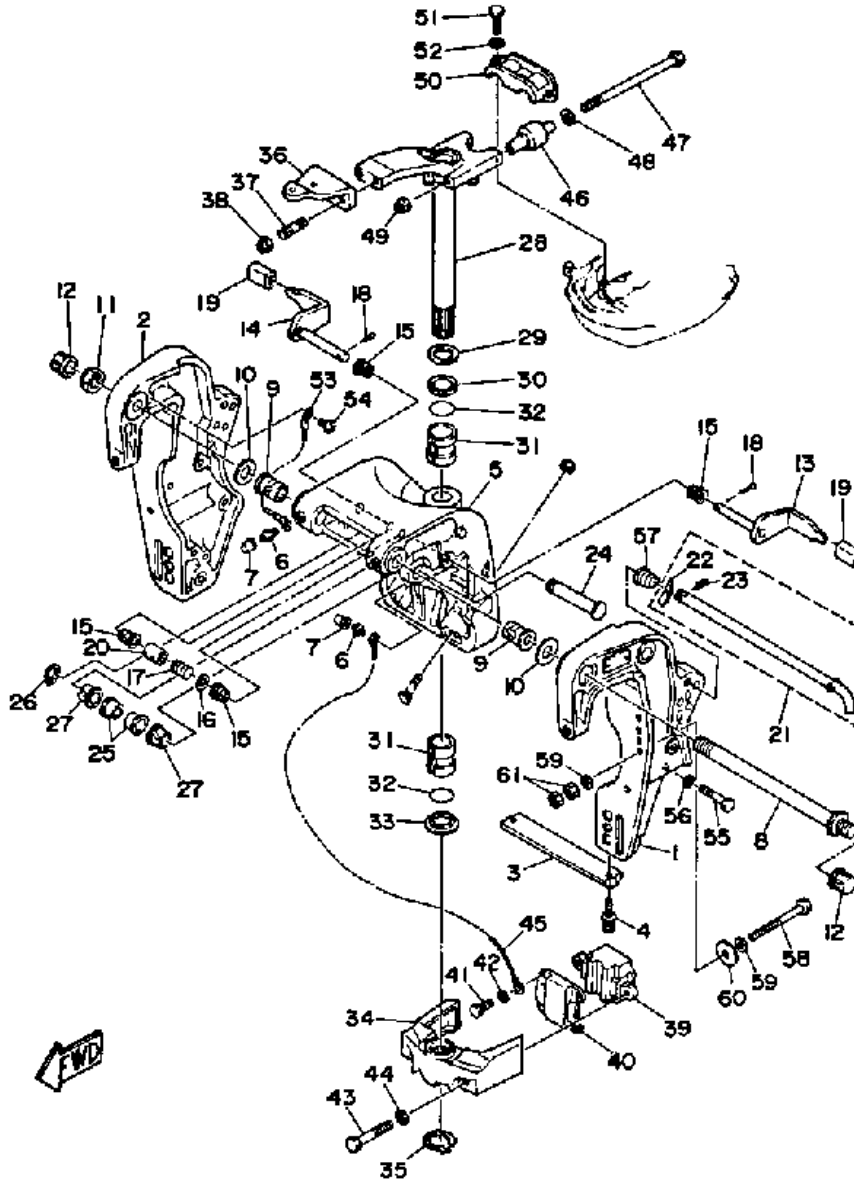
PR50LF 1989 / BOTTOM COWLING

PART NUMBER		NOTE TEXT
92990-06600-00		OEM: This part number is among the Top 100 Most Popular Marine Maintenance Parts as of March 2014.
92990-06600-00		OEM: This part number is among the Top 100 Most Popular Marine Maintenance Parts as of March 2014.
92990-06600-00		OEM: This part number is among the Top 100 Most Popular Marine Maintenance Parts as of March 2014.

©2014 Yamaha Motor Corporation, U.S.A. All rights reserved.



PR50LF 1989 / BRACKET 1



©2014 Yamaha Motor Corporation, U.S.A. All rights reserved.

## Part List



PR50LF 1989 / BRACKET 1

REF - NO	PART NUMBER	PART NAME	QUANTITY	REMARKS
1	697-43111-04-EK	BRACKET, CLAMP	1	
2	697-43112-03-EK	BRACKET, CLAMP	1	
3	6H1-45251-01-00	ANODE	1	
4	90119-06M52-00	BOLT	2	
5	697-43311-03-EK	BRACKET, SWIVEL 1	1	
6	93700-06M03-00	NIPPLE, GREASE	3	
7	663-45119-00-00	CAP, GREASE NIPPLE	3	
8	688-43131-03-00	BOLT, CLAMP BRACKET	1	
9	90386-22M15-00	BUSH	2	
10	90201-22M67-00	WASHER, PLATE	2	
11	90185-22043-00	NUT, SELF-LOCKING	1	
12	6G5-43145-00-00	CAP, CLAMP BRACKET	2	
13	688-43181-04-00	LEVER, TILT STOP	1	
14	688-43185-04-00	LEVER, TILT STOP	1	
15	90386-10M16-00	BUSH	4	
16	92990-10600-00	WASHER, PLATE	1	
17	90501-10M21-00	SPRING, COMPRESSION	1	
18	91490-30040-00	PIN, COTTER	2	
19	663-43318-00-00	COVER	2	
20	90387-10M38-00	COLLAR	1	
21	697-43160-00-00	TILT ROD ASSEMBLY	1	
22	688-43165-00-00	.PLATE, TILT LOCK	1	
23	91690-30012-00	.PIN, SPRING	1	
24	6E5-43126-02-00	PIN, UPPER SHOCK MOUNT	1	
25	90386-18M63-00	BUSH	2	
26	93410-18M02-00	CIRCLIP	1	
27	90386-18M35-00	BUSH	2	
28	6H4-42510-02-EK	STEERING BRACKET ASSEMBLY	1	
29	90201-30M00-00	WASHER, PLATE	1	
30	90386-30M78-00	BUSH	1	
31	90386-30M77-00	BUSH	2	
32	93210-29M94-00	O-RING	2	
33	90386-30M60-00	BUSH	1	
34	6H4-44551-01-EK	HOUSING, LOWER MOUNT	1	
35	93410-28M06-00	CIRCLIP	1	
36	6H5-48511-51-EK	HOOK STEERING	1	
37	90116-10175-00	BOLT, STUD	2	
38	90185-10051-00	NUT, SELF-LOCKING	2	
39	6H4-44557-00-00	MOUNT DAMPER, LOWER FRONT	1	UR SHORT
39	6H4-44557-10-00	MOUNT DAMPER, LOWER FRONT	1	UR LONG
40	6H4-44553-01-00	COVER, LOWER MOUNT	1	
41	97395-08025-00	BOLT	4	
42	92990-08600-00	..WASHER, PLATE	4	
43	97395-10060-00	BOLT	2	
44	92990-10600-00	WASHER, PLATE	2	
45	6H5-82117-00-00	WIRE, LEAD	1	
46	6H4-44514-00-00	MOUNT DAMPER, UPPER SIDE	2	
47	90101-08M86-00	BOLT	2	
48	90201-09425-00	WASHER, PLATE	2	
49	90185-08045-00	NUT, SELF-LOCKING	2	
50	6H4-44511-00-94	COVER, UPPER MOUNT	2	

51	97090-08035-00	BOLT	3	
52	92990-08100-00	WASHER, SPRING	3	
53	6E5-82148-00-00	WIRE, LEAD 4	1	
54	98580-06012-00	SCREW, PAN HEAD	1	
55	97395-10045-00	BOLT	6	
56	92990-10100-00	WASHER, SPRING	6	
57	90502-20M03-00	SPRING, CONICAL	1	
58	90101-12M65-00	BOLT	4	
59	92995-12200-00	WASHER	8	
60	90201-12426-00	WASHER, PLATE	4	
61	95380-12600-00	NUT	8	

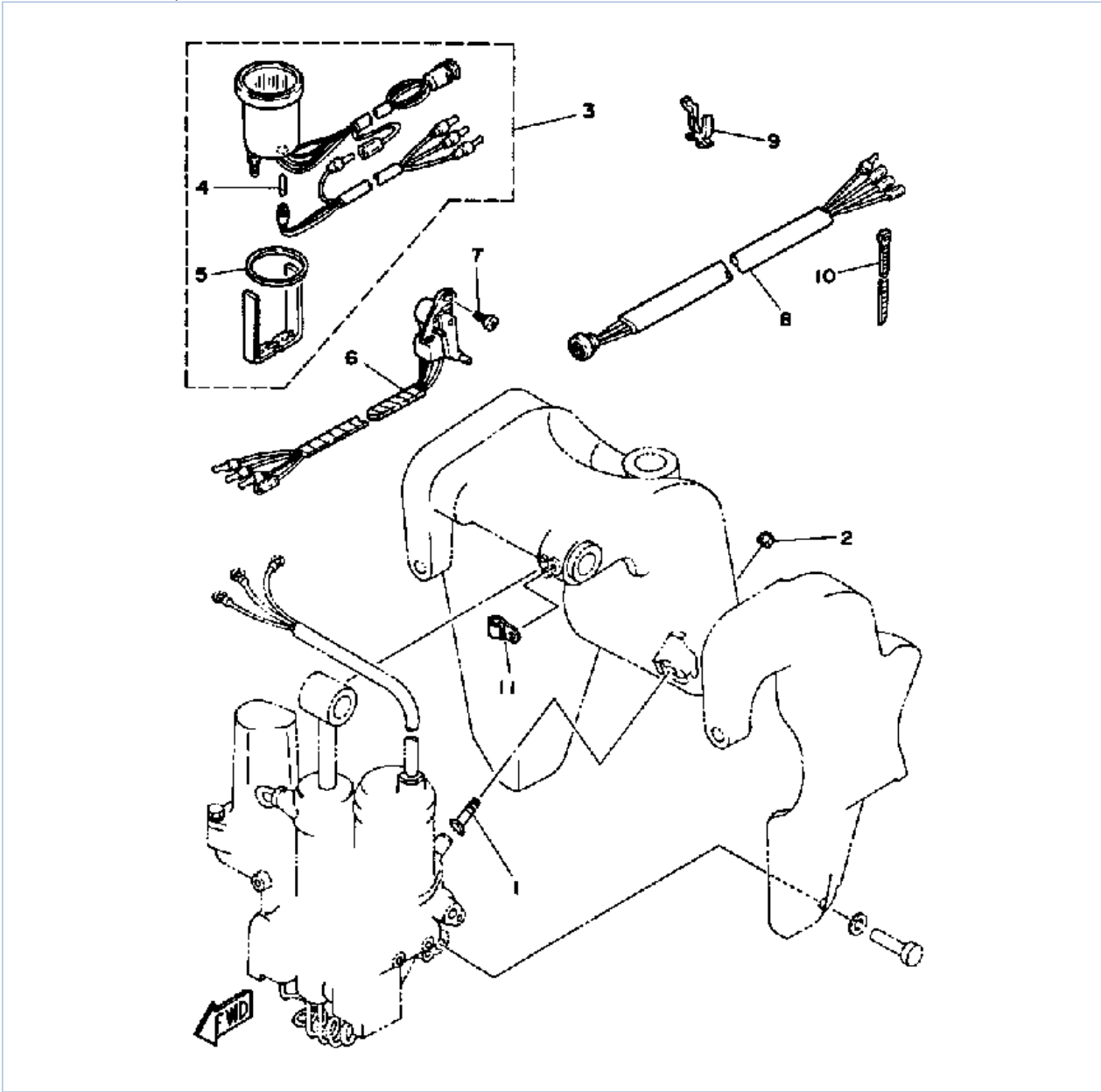
## Part Notes

PR50LF 1989 / BRACKET 1

PART NUMBER		NOTE TEXT
92990-10600-00		OEM: This part number is among the Top 100 Most Popular Marine Maintenance Parts as of March 2014.
92990-10600-00		OEM: This part number is among the Top 100 Most Popular Marine Maintenance Parts as of March 2014.

©2014 Yamaha Motor Corporation, U.S.A. All rights reserved.

PR50LF 1989 / BRACKET 2



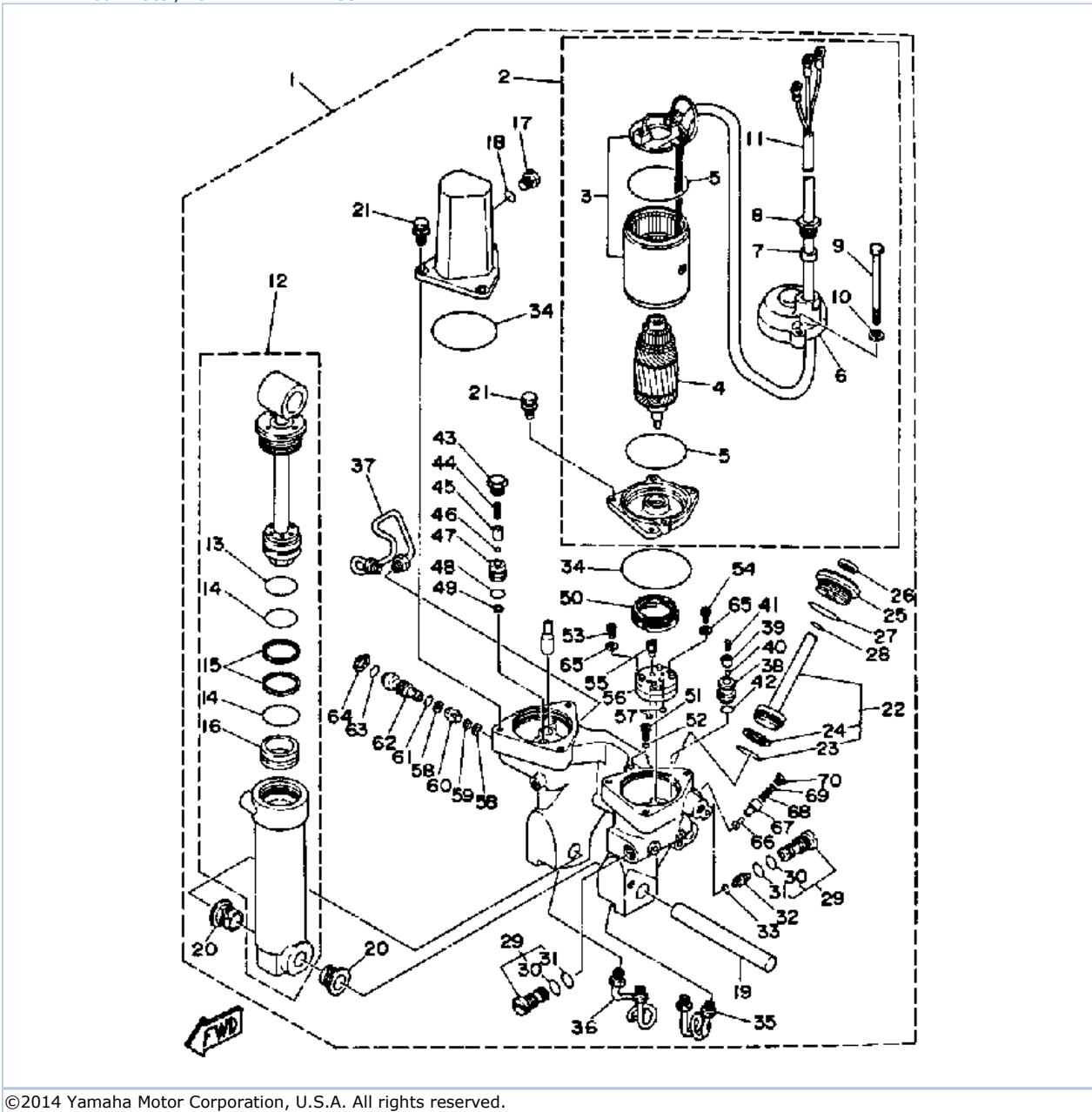
©2014 Yamaha Motor Corporation, U.S.A. All rights reserved.

## Part List

PR50LF 1989 / BRACKET 2

REF - NO	PART NUMBER	PART NAME	QUANTITY	REMARKS
1	688-43376-01-00	BOLT, THRUST RECEIVER	2	
2	95780-08300-00	..NUT, FLANGE	2	
3	6Y5-83670-01-00	TRIM METER	1	
4	6Y5-83518-00-00	.BULB (12V-17W T65)	1	
5	688-83664-00-00	.DAMPER	1	
6	6E5-83672-01-00	TRIM SENDER	1	
7	98580-06016-00	SCREW, PAN HEAD	2	
8	6E5-82553-10-00	EXTENSION, WIRE HARNESS	1	
9	90464-15M08-00	CLAMP	1	
10	90465-11M10-00	CLAMP	1	
11	90465-08028-00	CLAMP	1	

PR50LF 1989 / POWER TRIM TILT ASSY



©2014 Yamaha Motor Corporation, U.S.A. All rights reserved.

## Part List

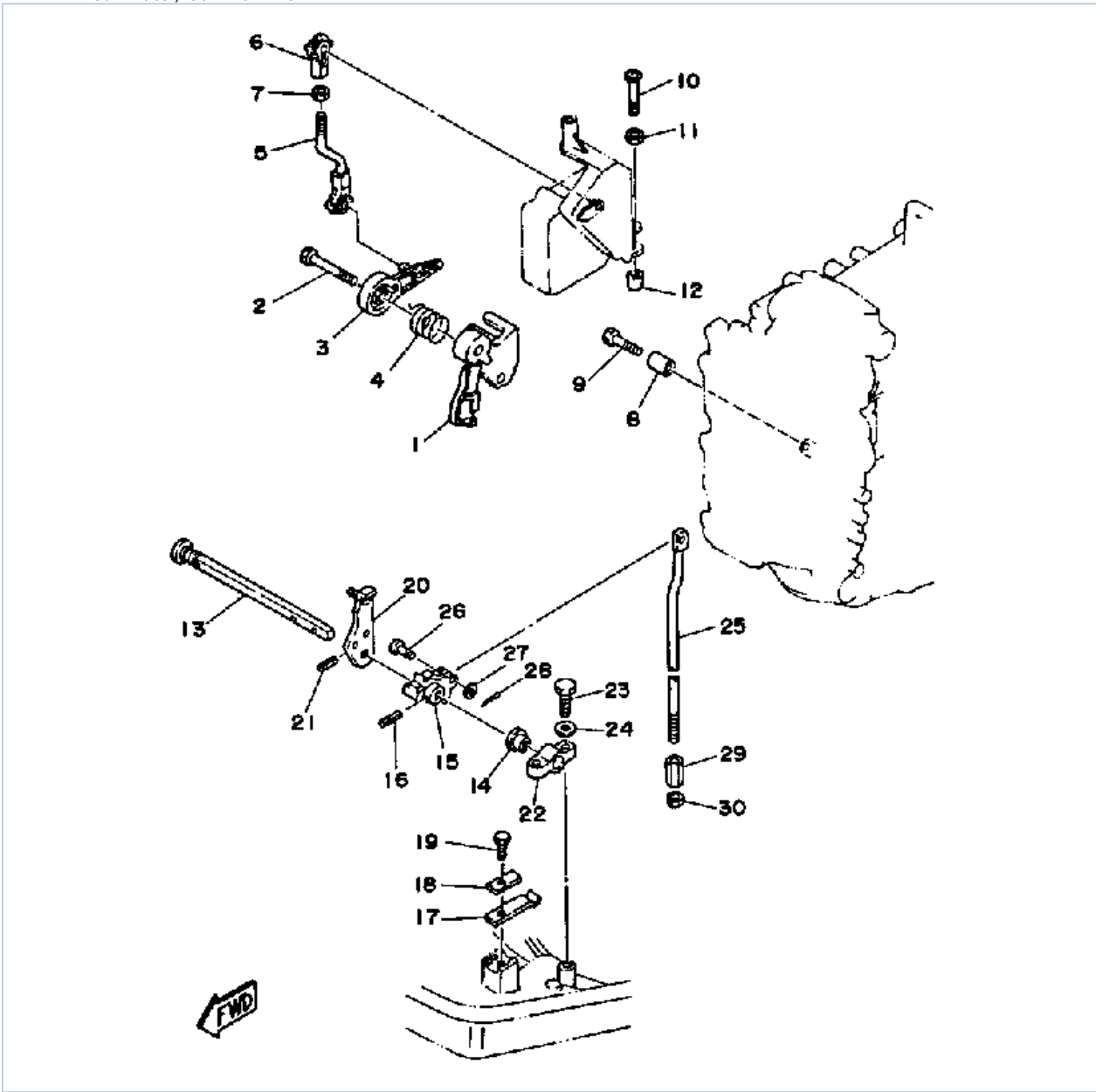
PR50LF 1989 / POWER TRIM TILT ASSY

REF - NO	PART NUMBER	PART NAME	QUANTITY	REMARKS
1	6H3-43800-04-EK	POWER TRIM TILT ASSY	1	
2	688-43880-11-00	.MOTOR ASSEMBLY	1	
3	6E5-43804-00-00	..STATOR ASSEMBLY	1	
4	6E5-43805-00-00	..ARMATURE ASSEMBLY	1	
5	93210-71M76-00	..O-RING	2	
6	6E5-43884-00-00	..FRAME, COMMUTATOR END	1	
7	6E5-43885-00-00	..GROMMET	1	
8	6E5-43886-00-00	..BOLT	1	
9	6E5-43887-00-00	..BOLT	2	
10	90201-05M01-00	..WASHER	2	
11	688-43807-11-00	..WIRE SUB ASSEMBLY	1	
12	697-4380E-01-00	.TILT CYLINDER ASSEMBLY	1	
13	6E5-43861-00-00	..O-RING	1	
14	6E5-43862-00-00	..O-RING	2	
15	6E5-43872-00-00	..RING, BACK UP	2	
16	6E5-43814-01-00	..PISTON, FREE	1	
17	6E5-43829-00-00	.PLUG, RESERVOIR	1	
18	6E5-43863-00-00	.O-RING	1	
19	6E5-43818-00-00	.PIN, LOWER SHOCK MOUNT	1	
20	90386-18M14-00	.BUSH	2	
21	90119-06M42-00	.BOLT, WITH WASHER	6	
22	6E5-43820-02-00	.PISTON SUB ASSEMBLY	2	
23	6E5-43864-00-00	..O-RING	1	
24	6E5-43874-01-00	..RING, BACK UP	1	
25	6E5-43821-01-00	.SCREW, TRIM CYLINDER END	2	
26	6E5-43822-01-00	.SEAL, TRIM DUST	2	
27	6E5-43862-00-00	.O-RING	2	
28	6E5-43865-00-00	.O-RING	2	
29	6E5-43802-00-00	.VALVE SUB ASSEMBLY	2	
30	6E5-43866-00-00	..O-RING	1	
31	6E5-43867-00-00	..O-RING	1	
32	6E5-43841-01-00	.PISTON, SHUTTLE	1	
33	6E5-43868-00-00	.O-RING	1	
34	6E5-43869-00-00	.O-RING	2	
35	6E5-43833-01-00	.PIPE	1	
36	6E5-43834-01-00	.PIPE	1	
37	6E5-43835-01-00	.PIPE	1	
38	6E5-43851-01-00	.SEAT, RELIEF VALVE	1	
39	6E5-43844-02-00	.PIN, VALVE SUPPORT	1	
40	6E5-43858-00-00	.BALL	1	
41	6E5-43856-00-00	.SPRING, DOWN RELIEF	1	
42	6E5-43883-00-00	.O-RING	1	
43	6E5-43843-00-00	.SCREW, VALVE LOCK	1	
44	6H3-43855-00-00	.SPRING, UP RELIEF	1	
45	6E5-43859-00-00	.PIN, VALVE SUPPORT	1	
46	6E5-43877-01-00	.BALL	1	
47	6E5-43895-00-00	.O-RING	1	
48	6E5-43896-00-00	.O-RING	1	
49	6E5-43816-10-00	.FILTER 1	1	
50	6E5-43817-10-00	.FILTER 2	1	
51	90109-06M21-00	.BOLT	1	
52	6E5-43897-00-00	.O-RING	1	
53	6E5-43878-01-00	.BOLT, SOCKET	2	

54	6E5-43888-01-00	.BOLT, SOCKET	1	
55	6E5-43831-00-00	.CONNECTOR, SHAFT	1	
56	6E5-43830-00-00	.GEAR PUMP ASSEMBLY	1	
57	93210-07M78-00	.O-RING	2	
58	6E5-43847-00-00	.SEAT, MANUAL VALVE	2	
59	6E5-43854-01-00	.SPRING, MANUAL RELEASE	1	
60	6E5-4382A-00-00	.ADAPTER 1	1	
61	93210-10M74-00	.O-RING	1	
62	6E5-43845-01-00	.SCREW, MANUAL RELEASE	1	
63	93210-18M75-00	.O-RING	1	
64	6H1-43875-00-00	.RING, SNAP	1	
65	90201-05M00-00	.WASHER, PLATE	3	
66	6E5-4381A-00-00	.SHAFT	1	
67	6E5-43849-01-00	.PIN, VALVE SUPPORT	1	
68	6E5-43824-01-00	.SPRING, COMPRESSION	1	
69	93210-06M77-00	.O-RING	1	
70	6E5-43842-00-00	.SCREW, VALVE SEAT	1	



PR50LF 1989 / CONTROL ENGINE



©2014 Yamaha Motor Corporation, U.S.A. All rights reserved.


## Part List

PR50LF 1989 / CONTROL ENGINE

REF - NO	PART NUMBER	PART NAME	QUANTITY	REMARKS
1	6H4-41213-04-00	CAM, ACCEL.	1	UR
2	90109-06M43-00	BOLT	1	
3	6H4-41632-01-00	LEVER, MAGNETO CONTROL	1	
4	90508-26M20-00	SPRING, TORSION	1	
5	6G5-41636-01-00	ROD, MAGNETO CONTROL	1	
6	6H4-41237-00-00	JOINT, LINK	1	
7	95380-05600-00	NUT	1	
8	90387-06M19-00	COLLAR	1	
9	97313-06025-00	BOLT	1	
10	90157-06M13-00	SCREW, PAN HEAD	1	
11	95380-06600-00	NUT, HEXAGON	2	
12	688-44194-00-00	CAP	1	
13	6H4-44111-10-00	HANDLE, GEAR SHIFT	1	
14	682-44132-00-00	BUSHING	1	
15	6H4-44121-02-00	LEVER, SHIFT ROD	1	
16	91690-30318-00	PIN, SPRING	1	
17	6H4-44116-00-00	SPRING	1	
18	682-44117-00-00	BRACKET	1	
19	97313-06016-00	BOLT, HEXAGON	1	
20	6H4-44125-01-00	LEVER, SHIFT ROD	1	
21	91690-30316-00	PIN, SPRING	1	
22	6F5-41662-00-00	BRACKET 2	1	
23	97313-06020-00	BOLT, HEXAGON	2	
24	92990-06600-00	WASHER, PLATE	2	
25	6H4-44143-00-00	ROD, SHIFT	1	
26	91790-05020-00	PIN, CLEVIS	1	
27	92990-05600-00	WASHER, PLATE	1	
28	91490-16010-00	PIN. COTTER	1	
29	648-44146-00-00	CONNECTOR, SHIFT ROD	1	
30	90170-07021-00	NUT	1	

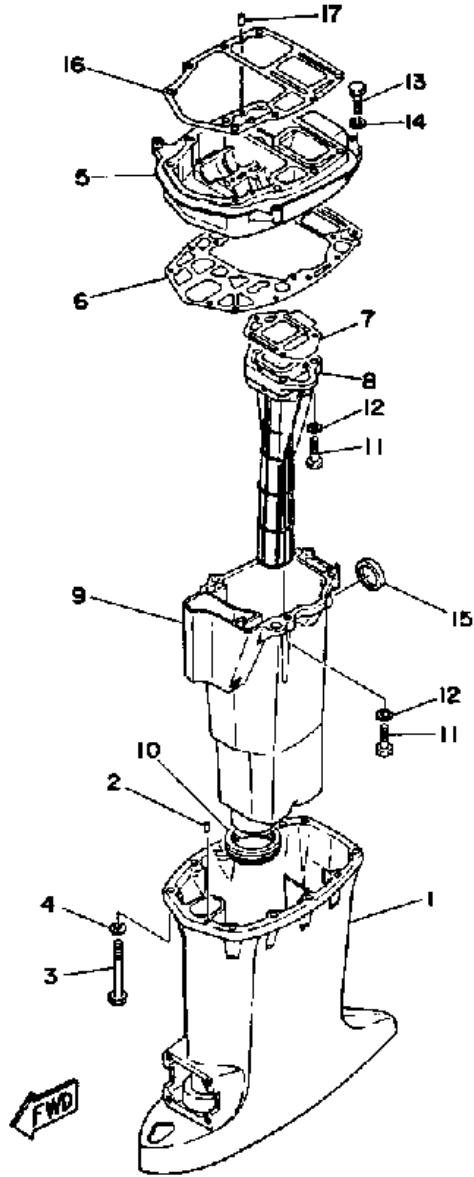
## Part Notes

PR50LF 1989 / CONTROL ENGINE

PART NUMBER	NOTE TEXT
92990-06600-00 	OEM: This part number is among the Top 100 Most Popular Marine Maintenance Parts as of March 2014.

©2014 Yamaha Motor Corporation, U.S.A. All rights reserved.

PR50LF 1989 / UPPER CASING



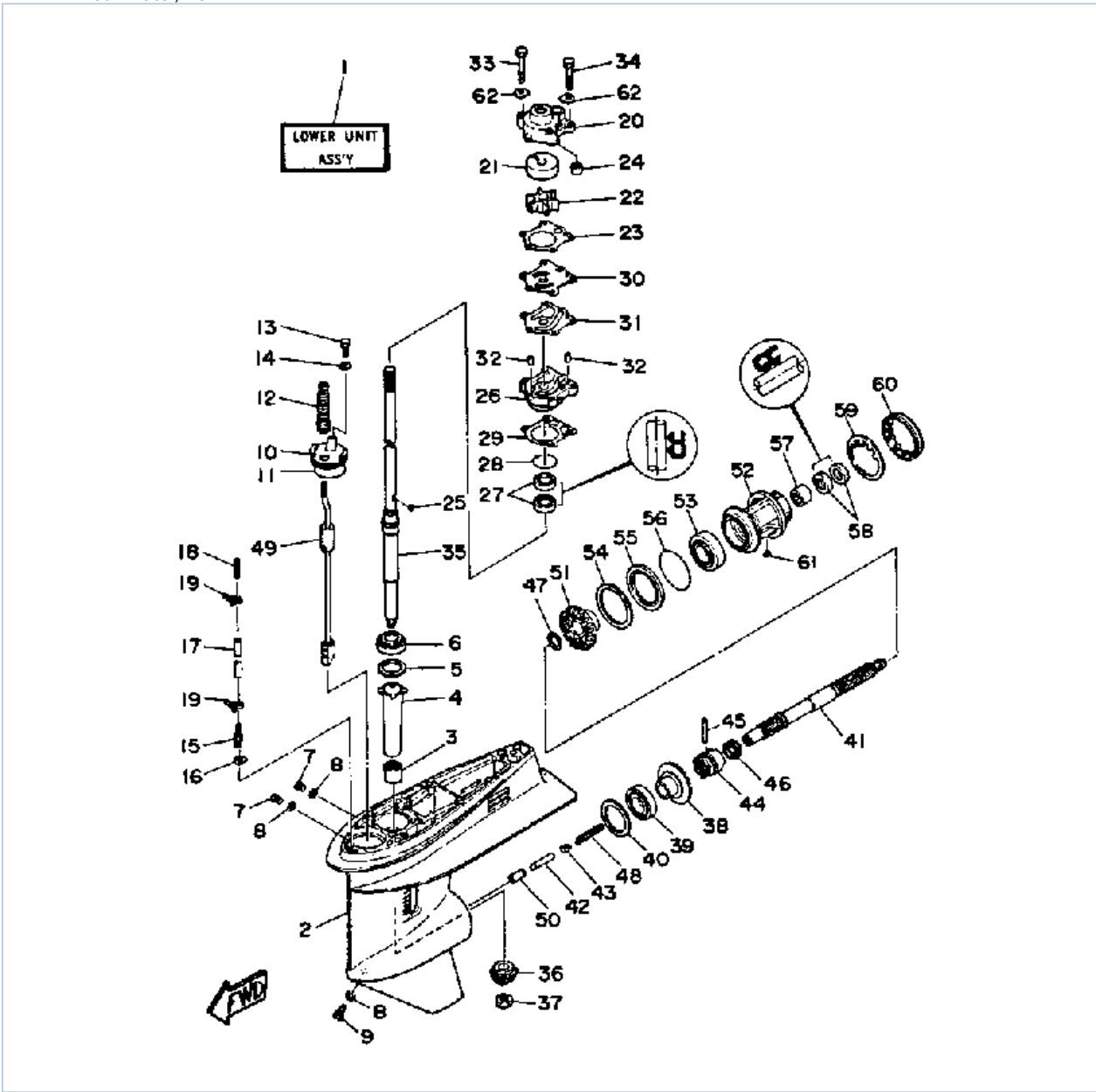
©2014 Yamaha Motor Corporation, U.S.A. All rights reserved.

## Part List

PR50LF 1989 / UPPER CASING

REF - NO	PART NUMBER	PART NAME	QUANTITY	REMARKS
1	6H4-45111-00-EK	CASING, UPPER	1	UR SHORT
1	6H4-45111-10-EK	CASING, UPPER	1	UR LONG
2	93606-12019-00	.PIN, DOWEL	2	
3	97395-08080-00	BOLT, HEXAGON	8	
4	92990-08600-00	..WASHER, PLATE	8	
5	6H4-41137-00-94	GUIDE, EXHAUST	1	
6	6H4-45114-A1-00	GASKET, UPPER CASING	1	
7	6H4-41134-A0-00	GASKET, EXHAUST MANIFOLD	1	
8	6H5-41131-00-5B	MANIFOLD, EXT. 1	1	
9	6H4-14711-00-5B	MUFFLER 1	1	UR SHORT
9	6H4-14711-10-5B	MUFFLER 1	1	UR LONG
10	663-45123-00-00	GASKET, MUFFLER	1	
11	97395-08030-00	BOLT	7	
12	92990-08600-00	..WASHER, PLATE	7	
13	97395-08030-00	BOLT	2	
14	92990-08100-00	WASHER, SPRING	2	
15	6H4-41133-00-00	GASKET, EXHAUST MANIFOLD 1	1	
16	6H4-45113-A0-00	GASKET, UPPER CASING	1	
17	93606-12019-00	.PIN, DOWEL	2	

PR50LF 1989 / LOWER DRIVE 1



©2014 Yamaha Motor Corporation, U.S.A. All rights reserved.

## Part List




PR50LF 1989 / LOWER DRIVE 1

REF - NO	PART NUMBER	PART NAME	QUANTITY	REMARKS
1	6H4-45300-12-EK	LOWER UNIT ASSEMBLY	1	UR LONG
1	6H4-45300-02-EK	LOWER UNIT ASSEMBLY	1	UR SHORT
2	6H4-45301-01-EK	LOWER CASING	1	
3	93315-32224-00	BEARING	1	
4	6H4-45536-00-00	SLEEVE, DRIVE SHAFT	1	
5	663-45587-01-12	SHIM (T:0.12MM)	1	UR
5	663-45587-01-10	SHIM (T:0.10MM)	1	UR
5	663-45587-01-15	SHIM (T:0.15MM)	1	UR
5	663-45587-01-50	SHIM (T:0.50MM)	1	UR
5	663-45587-01-40	SHIM (T:0.40MM)	1	UR
5	663-45587-01-18	SHIM (T:0.18MM)	1	UR
5	663-45587-01-30	SHIM (T:0.30MM)	1	UR
6	93332-00001-00	BEARING	1	
7	90340-08M04-00	PLUG, STRAIGHT SCREW	2	
8	90430-08020-00	.GASKET	3	
9	688-45341-00-00	PLUG, DRAIN	1	
10	6H4-45321-01-00	PLATE	1	
11	93210-49046-00	.O-RING	1	
12	6G1-44147-00-00	.BOOT, SHIFT ROD	1	
13	97395-06016-00	BOLT, HEX	1	
14	92990-06600-00	WASHER, PLATE	1	
15	6H4-45378-00-00	NIPPLE, HOSE	1	
16	90209-10M14-00	WASHER	1	
17	90445-07ME9-00	HOSE (L120)	1	UR SHORT
17	90445-07M31-00	HOSE (L200)	1	UR LONG
18	6E5-83558-10-00	END, NIPPLE	1	
19	90465-11M10-00	CLAMP	2	
20	6J8-44311-00-00	HOUSING, WATER PUMP	1	
21	663-44322-00-00	.INSERT, CARTRIDGE	1	
22	6H4-44352-02-00	.IMPELLER	1	
23	663-44315-00-00	GASKET, WATER PUMP	1	
24	663-44366-00-00	.DAMPER, WATER SEAL 2	1	
25	90280-03024-00	.KEY, WOODRUFF	1	
26	663-44341-00-94	HOUSING, WATER PUMP	1	
27	93101-23070-00	.OIL SEAL	2	
28	93210-41042-00	O-RING	1	
29	663-44316-00-00	GASKET, WATER PUMP	1	
30	663-44323-00-00	OUTER PLATE, CARTIDGE	1	
31	663-44324-00-00	OIL SEAL	1	
32	93604-08062-00	PIN, DOWEL	2	
33	97395-08055-00	BOLT	2	
34	97395-08045-00	BOLT	2	
35	6H4-45501-00-00	DRIVE SHAFT COMP.	1	UR SHORT
35	6H4-45501-10-00	DRIVE SHAFT COMP.	1	UR LONG
36	6H4-45551-00-00	PINION	1	
37	90170-12138-00	NUT	1	
38	6H4-45560-00-00	GEAR	1	
39	93332-000V4-00	BEARING	1	
40	6H4-45567-01-10	SHIM (T:0.10MM)	1	UR
40	6H4-45567-01-12	SHIM (T:0.12MM)	1	UR
40	6H4-45567-01-15	SHIM (T:0.15MM)	1	UR
40	6H4-45567-01-18	SHIM (T:0.18MM)	1	UR
40	6H4-45567-01-30	SHIM (T:0.30MM)	1	UR

40	6H4-45567-01-40	SHIM (T:0.40MM)	1	UR
40	6H4-45567-01-50	SHIM (T:0.50MM)	1	UR
41	679-45611-01-00	SHAFT, PROPELLER	1	
42	676-45635-00-00	PLUNGER, SHIFT	1	
43	663-45634-00-00	SLIDE, SHIFT	1	
44	6H4-45631-00-00	CLUTCH, DOG	1	
45	90250-06023-00	PIN, STRAIGHT	1	
46	663-45633-00-00	RING, CROSS PIN	1	
47	90201-22429-00	WASHER, PLATE	1	
48	90501-16M01-00	SPRING, COMPRESSION	1	
49	6H4-44150-01-00	SHIFT CAM ASSEMBLY	1	UR SHORT
49	6H4-44150-12-00	SHIFT CAM ASSEMBLY	1	UR LONG
50	6H4-44160-00-00	DETENT COMP.	1	
51	6H4-45571-00-00	GEAR	1	
52	679-45331-00-94	HOUSING, BEARING	1	
53	93306-00702-00	BEARING	1	
54	663-45577-01-10	SHIM (T:0.10MM)	1	UR
54	663-45577-01-12	SHIM (T:0.12MM)	1	UR
54	663-45577-01-15	SHIM (T:0.15MM)	1	UR
54	663-45577-01-18	SHIM (T:0.18MM)	1	UR
54	663-45577-01-30	SHIM (T:0.30MM)	1	UR
54	663-45577-01-40	SHIM (T:0.40MM)	1	UR
54	663-45577-01-50	SHIM (T:0.50MM)	1	UR
55	663-45576-00-00	WASHER, THRUST	1	
56	93210-66M98-00	O-RING	1	
57	93317-22204-00	BEARING	1	
58	93101-22067-00	.OIL SEAL	2	
59	90214-48M03-00	WASHER, CLAW	1	
60	697-45384-00-00	NUT	1	
61	90282-04010-00	KEY, STRAIGHT	1	
62	90209-08M02-00	WASHER	4	

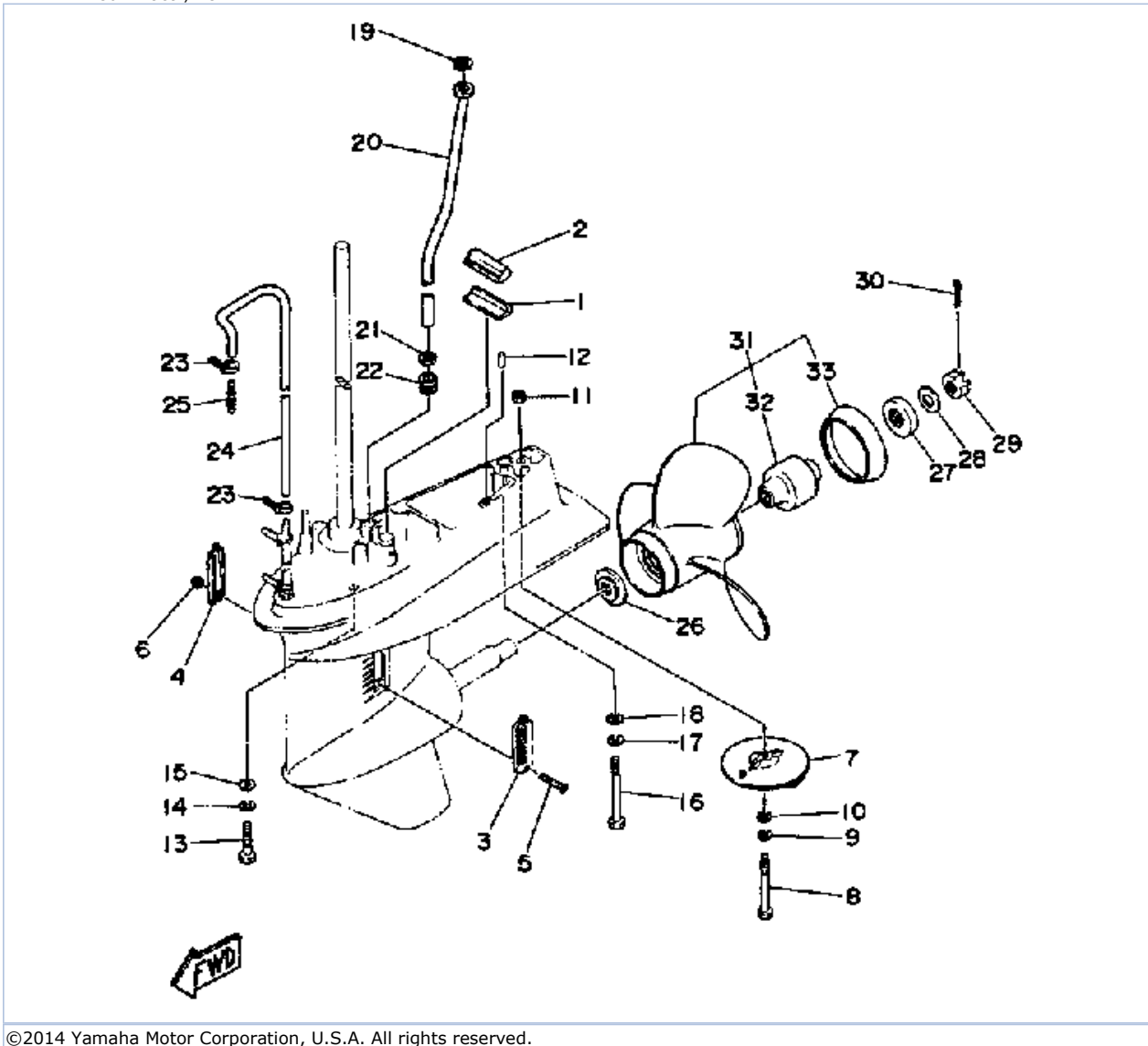
## Part Notes

PR50LF 1989 / LOWER DRIVE 1

PART NUMBER		NOTE TEXT
90430-08020-00		OEM: This part number is among the Top 100 Most Popular Marine Maintenance Parts as of March 2014.
92990-06600-00		OEM: This part number is among the Top 100 Most Popular Marine Maintenance Parts as of March 2014.
6H4-44352-02-00		OEM: This part number is among the Top 100 Most Popular Marine Maintenance Parts as of March 2014.

©2014 Yamaha Motor Corporation, U.S.A. All rights reserved.

PR50LF 1989 / LOWER DRIVE 2



©2014 Yamaha Motor Corporation, U.S.A. All rights reserved.



## Part List


PR50LF 1989 / LOWER DRIVE 2

REF - NO	PART NUMBER	PART NAME	QUANTITY	REMARKS
1	663-45376-00-94	GUIDE, SEAL DAMPER	1	
2	688-45375-00-00	DAMPER, SEAL	1	
3	688-45214-02-00	COVER, WATER INLET 1	1	
4	688-45215-02-00	COVER, WATER INLET 2	1	
5	98680-05535-00	SCREW, OVAL HEAD	1	
6	90185-05002-00	NUT, NYLON	1	
7	664-45371-01-00	TAB-TRIM	1	
8	97375-08075-00	BOLT	1	
9	92990-08100-00	WASHER, SPRING	1	
10	92990-08600-00	..WASHER, PLATE	1	
11	95380-08600-00	NUT	1	
12	93606-12019-00	.PIN, DOWEL	2	
13	97395-10040-00	BOLT	4	
14	92990-10100-00	WASHER, SPRING	4	
15	92990-10600-00	WASHER, PLATE	4	
16	97395-08085-00	BOLT	1	
17	92990-08100-00	WASHER, SPRING	1	
18	92990-08600-00	..WASHER, PLATE	1	
19	90202-12060-00	WASHER, PLATE	1	
20	6H4-44361-00-00	TUBE, WATER	1	UR SHORT
20	6H4-44361-10-00	TUBE, WATER	1	UR LONG
21	90430-12072-00	GASKET	1	
22	663-44367-00-00	DAMPER, WATER SEAL 3	1	
23	90465-11M10-00	CLAMP	2	
24	90445-07MF1-00	HOSE (L570)	1	
25	6E5-83558-00-00	END, NIPPLE	1	
26	663-45987-02-00	SPACER 1	1	
27	670-45997-02-00	SPACER	1	
28	92990-16200-00	WASHER, PLAIN	1	
29	90171-16011-00	NUT, CASTLE	1	
30	91490-30040-00	PIN, COTTER	1	
31	6H5-45952-00-EL	PROPELLER (3X10-3/8X13"-G)	1	UR
31	663-45956-01-EL	PROPELLER (3X12-1/4"X9"-G)	1	UR
31	6H5-45958-00-EL	PROPELLER (3X10-1/4"X14"-G)	1	UR
31	663-45970-60-98	PROPELLER (3X11-3/4"X12"-G)	1	UR
31	663-45972-60-98	PROPELLER (3X12"X11"-G)	1	UR
31	663-45974-60-98	PROPELLER (3X11-1/2"X13"-G)	1	UR
31	663-45976-00-98	PROPELLER (3X10-1/4"X15"-G)	1	UR
31	663-45978-00-98	PROPELLER (3X10-1/4"X16"-G)	1	UR
31	663-45930-00-98	PROPELLER (3X10-1/4"X14"-G)	1	UR
31	663-45958-01-EL	PROPELLER (3X11-1/4"X14"-G)	1	UR
31	663-45952-00-EL	UNAVAILABLE IN PRICE BOOK (3X11-3/8"X12"-G) (663-4)	1	UR
31	663-45945-00-EL	UNAVAILABLE IN PRICE BOOK (3X11-1/8"X13"-G) (663-4)	1	UR
31	663-45949-01-EL	PROPELLER (3X10-3/4"X16"-G)	1	UR

31	663-45947-02-EL	PROPELLER (3X11-5/8"X11"-G)	1	UR
31	6H5-45945-00-EL	PROPELLER (3X10-5/8X12"-G)	1	UR
31	663-45941-01-EL	PROPELLER (3X10-3/4"X17"-G)	1	UR
31	6H5-45943-00-EL	PROPELLER (3X10"X15"-G)	1	UR
31	6H5-45943-00-EL	PROPELLER (3X10"X15"-G)	1	UR
32	663-45981-10-00	.DAMPER, RUBBER PROP	1	
33	663-45986-00-94	.RING, DEFLECTOR	1	FOR ALUMI PROP.

## Part Notes

PR50LF 1989 / LOWER DRIVE 2

PART NUMBER		NOTE TEXT
92990-10600-00		OEM: This part number is among the Top 100 Most Popular Marine Maintenance Parts as of March 2014.

©2014 Yamaha Motor Corporation, U.S.A. All rights reserved.




## Part List

PR50LF 1989 / CDI MAGNETO

REF - NO	PART NUMBER	PART NAME	QUANTITY	REMARKS
1	6H5-85550-00-00	ROTOR ASSEMBLY	1	
2	6H5-85560-01-00	BASE ASSEMBLY	1	
3	6H4-15359-03-94	.HOUSING, OIL SEAL	1	
4	6H5-85520-00-00	.COIL, CHARGE	1	
5	6H5-85533-01-00	.COIL, LIGHTING	1	
6	6H5-85580-00-00	.COIL, PULSER	1	
7	6H5-85580-10-00	.COIL, PULSER	1	
8	6H5-85580-20-00	.COIL, PULSER	1	
9	6H5-83354-00-00	.WIRE, LEAD	1	
10	98580-05012-00	.SCREW, PAN HEAD	1	
11	92990-05100-00	.WASHER, SPRING	1	
12	92901-05600-00	.WASHER	6	
13	98511-06025-00	.SCREW PAN HEAD	2	
14	92995-06100-00	.WASHER, SPRING	2	
15	98580-06030-00	.SCREW, PAN HEAD	2	
16	92995-06100-00	.WASHER, SPRING	2	
17	90464-03M15-00	.CLAMP	2	
18	93102-23096-00	.OIL SEAL	1	
19	90280-05049-00	KEY, WOODRUFF	1	
20	90179-16M05-00	NUT	1	
21	90201-16M44-00	WASHER, PLATE	1	
22	6H4-81332-00-00	PLATE, TIMING	1	
23	98580-05010-00	.SCREW, PAN HEAD	1	
24	92990-05600-00	WASHER, PLATE	1	
25	97313-06018-00	BOLT	3	
26	92990-06600-00	WASHER, PLATE	3	

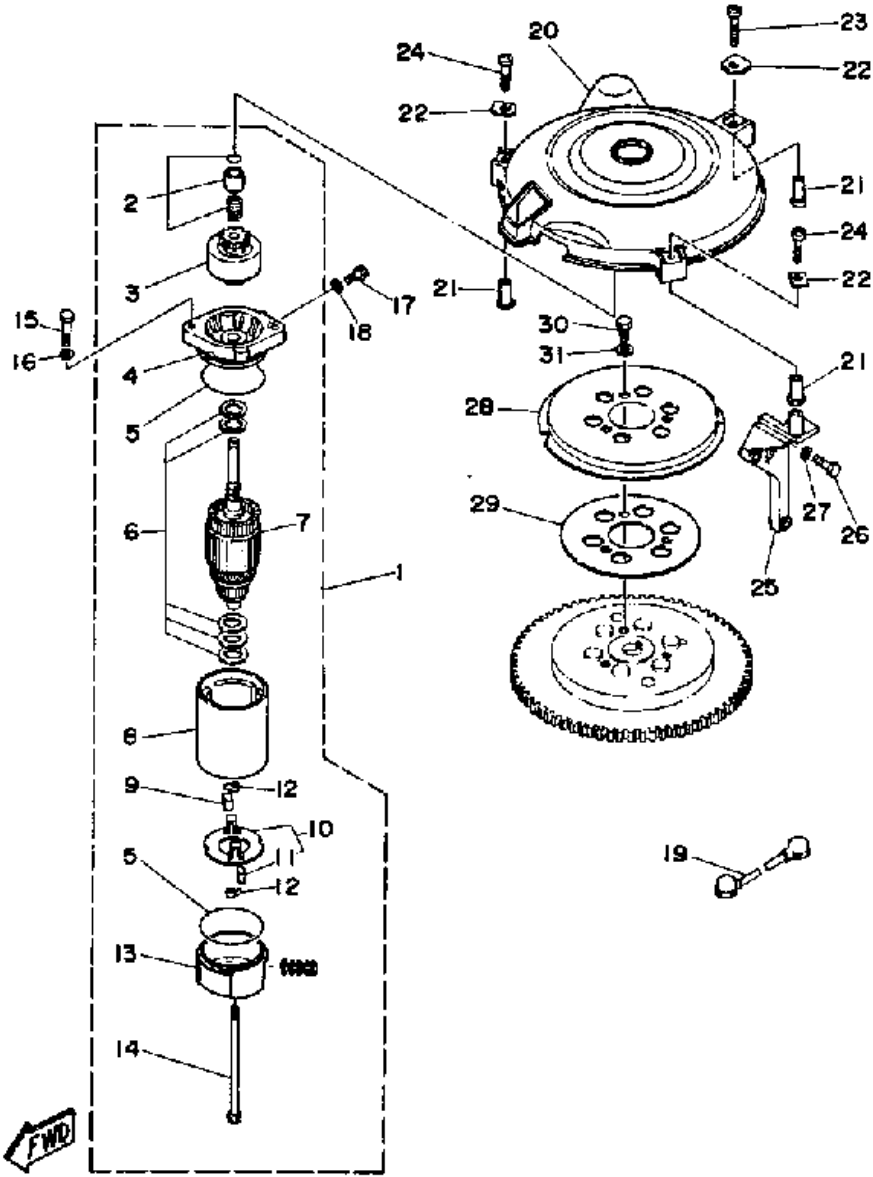
## Part Notes

PR50LF 1989 / CDI MAGNETO

PART NUMBER	NOTE TEXT
92990-06600-00 	OEM: This part number is among the Top 100 Most Popular Marine Maintenance Parts as of March 2014.

©2014 Yamaha Motor Corporation, U.S.A. All rights reserved.

PR50LF 1989 / ELECTRIC MOTOR



©2014 Yamaha Motor Corporation, U.S.A. All rights reserved.


## Part List

PR50LF 1989 / ELECTRIC MOTOR

REF - NO	PART NUMBER	PART NAME	QUANTITY	REMARKS
1	6J4-81800-01-00	STARTING MOTOR ASSEMBLY	1	
2	689-81857-11-00	.PINION STOPPER SET	1	
3	689-81807-12-00	.GEAR ASSY, STARTING MOTOR	1	
4	6F5-81830-11-00	.FRONT BRACKET ASSY	1	
5	689-81847-11-00	.O-RING	2	
6	689-81809-11-00	.WASHER KIT	1	
7	689-81850-12-00	.ARMATURE ASSY	1	
8	689-81810-11-00	.STATOR ASSY	1	
9	689-81811-11-00	.BRUSH 1	1	
10	689-81840-11-00	.BRUSH HOLDER ASSY	1	
11	689-81812-11-00	..BRUSH 2	1	
12	689-81813-10-00	.SPRING, BRUSH	2	
13	689-81820-11-00	.REAR BRACKET ASSY	1	
14	689-81826-10-00	.BOLT	2	
15	97313-08030-00	BOLT	2	
16	92990-08600-00	..WASHER, PLATE	2	
17	97313-08016-00	BOLT, HEXAGON	1	
18	92990-08600-00	..WASHER, PLATE	1	
19	6H4-82117-00-00	WIRE, LEAD	1	
20	6H4-81337-01-00	COVER, FLYWHEEL	1	
21	90387-06M65-00	COLLAR	3	
22	90209-06M04-00	WASHER	3	
23	98580-06040-00	SCREW, PAN HEAD	1	
24	98580-06035-00	SCREW, PAN HEAD	2	
25	6H4-15772-02-94	STAY 2	1	
26	97313-06025-00	BOLT	3	
27	92990-06600-00	WASHER, PLATE	3	
28	6J8-15723-E1-00	PULLEY, STARTER	1	
29	6J8-81365-00-00	GASKET, HOLE COVER	1	
30	97011-08016-00	BOLT	3	
31	92990-08600-00	..WASHER, PLATE	3	

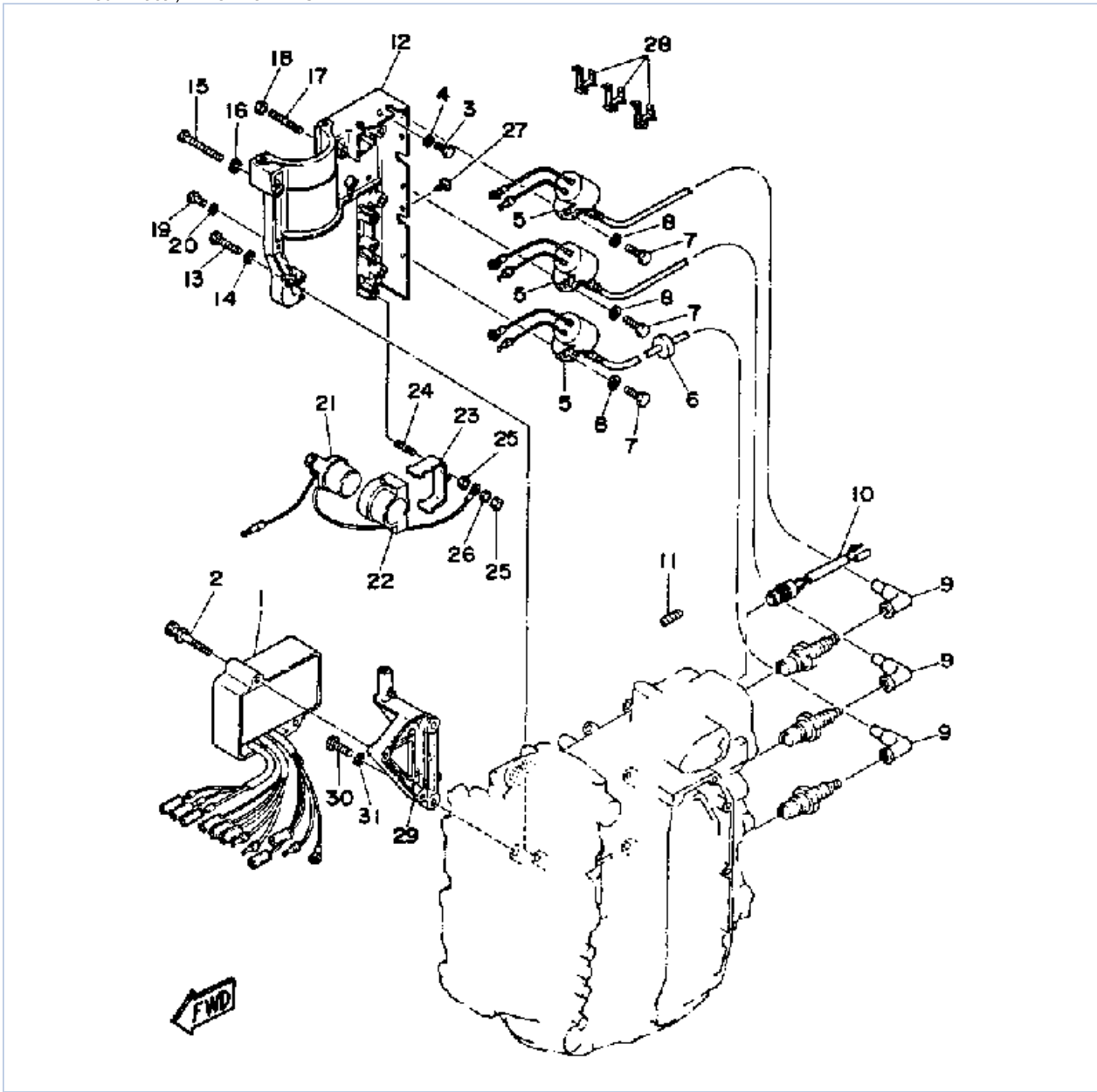
## Part Notes

PR50LF 1989 / ELECTRIC MOTOR

PART NUMBER	NOTE TEXT
92990-06600-00 	OEM: This part number is among the Top 100 Most Popular Marine Maintenance Parts as of March 2014.

©2014 Yamaha Motor Corporation, U.S.A. All rights reserved.

PR50LF 1989 / ELECTRIC PARTS 1



©2014 Yamaha Motor Corporation, U.S.A. All rights reserved.






## Part List

PR50LF 1989 / ELECTRIC PARTS 1

REF - NO	PART NUMBER	PART NAME	QUANTITY	REMARKS
1	6H5-85540-02-00	C.D.I. UNIT ASSEMBLY	1	
2	90119-06M51-00	BOLT, WITH WASHER	2	
3	97013-06012-00	BOLT	1	
4	92990-06600-00	WASHER, PLATE	1	
5	6H5-85570-00-00	IGNITION COIL ASSY	3	
6	90480-25161-00	GROMMET	1	
7	97313-06022-00	BOLT	3	
8	92990-06600-00	WASHER, PLATE	3	
9	663-82370-01-00	PLUG CAP ASSY	3	
10	689-82560-00-00	THERMO SWITCH ASSEMBLY	1	
11	90446-10M02-00	HOSE	1	
12	6H4-81822-01-98	BRACKET, STARTING MOTOR	1	
13	97313-06030-00	BOLT	4	
14	92990-06600-00	WASHER, PLATE	4	
15	97313-08050-00	BOLT, HEXAGON	1	
16	92990-08600-00	..WASHER, PLATE	1	
17	95670-06640-00	BOLT, STUD	1	
18	90179-06M24-00	NUT	1	
19	97313-06014-00	BOLT, HEXAGON	2	
20	92990-06600-00	WASHER, PLATE	2	
21	6G1-81941-10-00	STARTER RELAY ASSY	1	
22	6H4-81952-00-00	HOLDER, RELAY	1	
23	6H4-81945-00-00	PLATE, SWITCH FITTING	1	
24	90116-06M22-00	BOLT, STUD	1	
25	95380-06600-00	NUT, HEXAGON	2	
26	92990-06600-00	WASHER, PLATE	1	
27	90338-05M11-00	PLUG	2	
28	90464-09M13-00	CLAMP	3	
29	6H4-15771-01-94	STAY 1	1	
30	97313-08030-00	BOLT	2	
31	92990-08600-00	..WASHER, PLATE	2	

## Part Notes

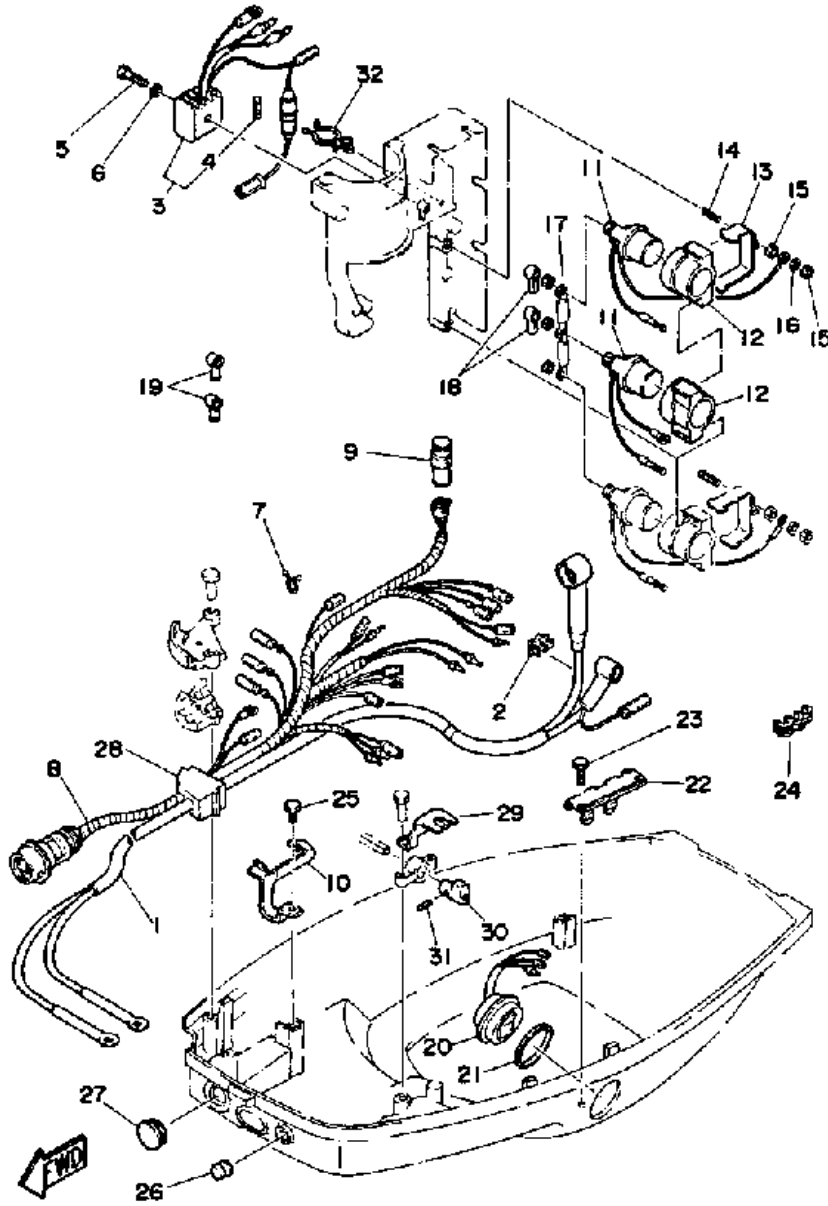
PR50LF 1989 / ELECTRIC PARTS 1

PART NUMBER	NOTE TEXT
92990-06600-00 	OEM: This part number is among the Top 100 Most Popular Marine Maintenance Parts as of March 2014.
92990-06600-00 	OEM: This part number is among the Top 100 Most Popular Marine Maintenance Parts as of March 2014.
92990-06600-00 	OEM: This part number is among the Top 100 Most Popular Marine Maintenance Parts as of March 2014.
92990-06600-00 	OEM: This part number is among the Top 100 Most Popular Marine Maintenance Parts as of March 2014.
92990-06600-00 	OEM: This part number is among the Top 100 Most Popular Marine Maintenance Parts as of March 2014.

©2014 Yamaha Motor Corporation, U.S.A. All rights reserved.



PR50LF 1989 / ELECTRIC PARTS 2



©2014 Yamaha Motor Corporation, U.S.A. All rights reserved.


## Part List

PR50LF 1989 / ELECTRIC PARTS 2

REF - NO	PART NUMBER	PART NAME	QUANTITY	REMARKS
1	6H4-82105-01-00	BATTERY CABLE	1	
2	90464-07M20-00	CLAMP	1	
3	6G1-81970-61-00	RECTIFIER ASSY	1	
4	6G1-82151-00-00	.FUSE (10A)	1	
5	98503-05025-00	SCREW, PAN HEAD	1	
6	92990-05600-00	WASHER, PLATE	1	
7	90465-18147-00	CLAMP	1	
8	6H4-82590-22-00	WIRE HARNESS ASSEMBLY	1	
9	6H4-82582-00-00	COVER, WIRE HARNESS	1	
10	6H4-82588-00-00	PLATE	1	
11	6G1-81941-10-00	STARTER RELAY ASSY	2	
12	6H4-81952-00-00	HOLDER, RELAY	2	
13	6H4-81945-10-00	PLATE, SWITCH FITTING	1	
14	90116-06M22-00	BOLT, STUD	1	
15	95380-06600-00	NUT, HEXAGON	2	
16	92990-06600-00	WASHER, PLATE	1	
17	6H4-87149-00-00	CONNECTOR	1	
18	6H5-82119-00-00	COVER, LEAD WIRE	2	
19	6E5-82119-00-00	COVER, LEAD WIRE	2	
20	6H1-82563-00-00	TRIM & TILT SWITCH ASSEMBLY	1	
21	6E5-82587-00-00	GASKET	1	
22	6E5-83614-00-00	BRACKET	1	
23	97313-06016-00	BOLT, HEXAGON	2	
24	90464-07M05-00	CLAMP	1	
25	97013-06012-00	BOLT	1	
26	6H4-42725-00-00	GROMMET	1	
27	676-42726-00-00	GROMMET	1	
28	6H4-42724-20-00	GROMMET	1	
29	6H4-82554-00-00	STAY, NEUTRAL SWITCH	1	
30	6H4-44173-01-00	LEVER, SHIFT CONTROL	1	
31	91690-30020-00	PIN, SPRING	1	
32	90464-15M27-00	CLAMP	1	

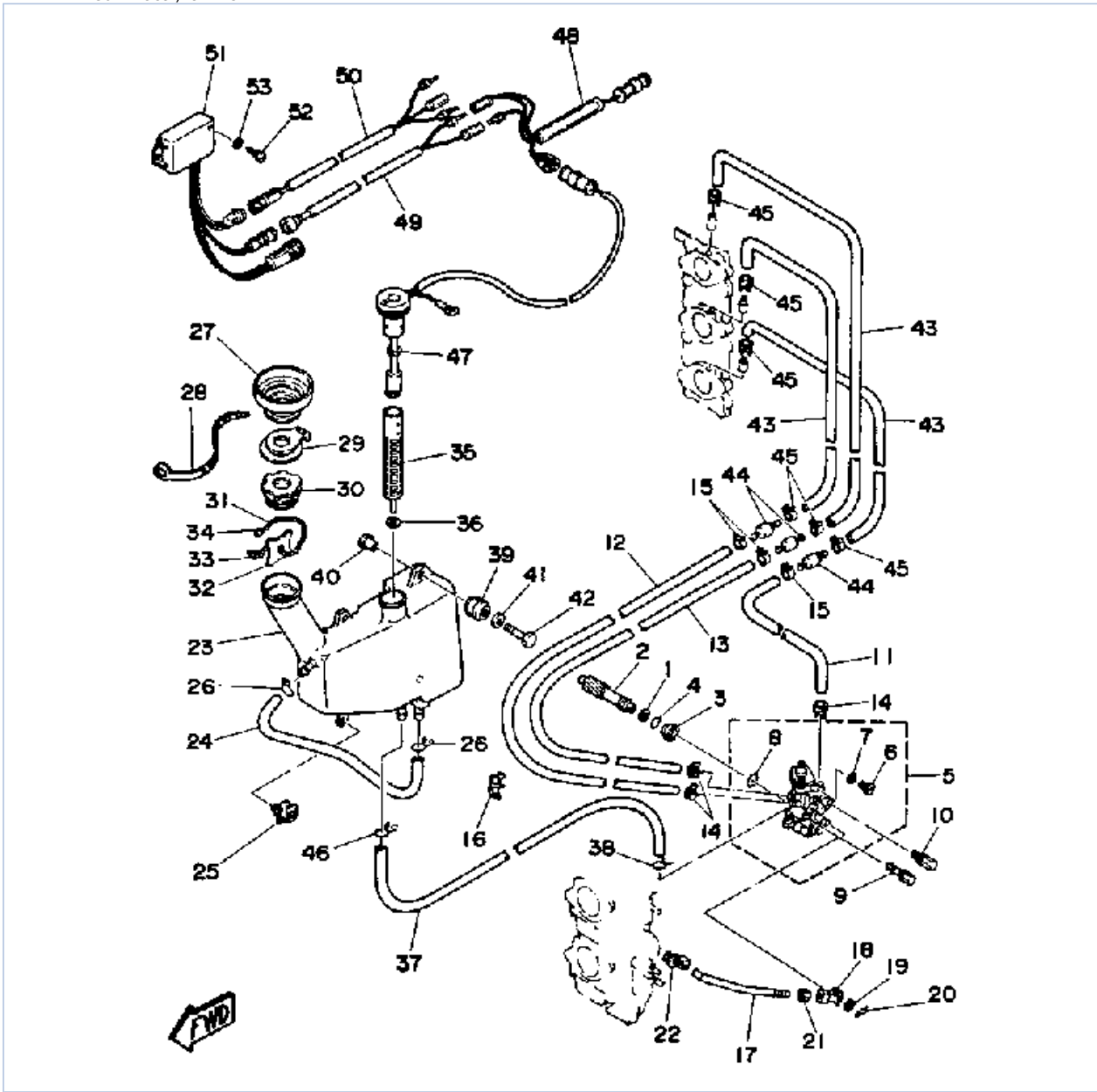
## Part Notes

PR50LF 1989 / ELECTRIC PARTS 2

PART NUMBER	NOTE TEXT
92990-06600-00 	OEM: This part number is among the Top 100 Most Popular Marine Maintenance Parts as of March 2014.

©2014 Yamaha Motor Corporation, U.S.A. All rights reserved.

PR50LF 1989 / OIL PUMP TANK



©2014 Yamaha Motor Corporation, U.S.A. All rights reserved.


## Part List

PR50LF 1989 / OIL PUMP TANK

REF - NO	PART NUMBER	PART NAME	QUANTITY	REMARKS
1	90201-08M93-00	WASHER, PLATE	1	
2	6H4-11537-01-00	GEAR, DRIVEN	1	
3	6H1-13117-01-00	COLLAR, DISTANCE	1	
4	93210-13595-00	O-RING	1	
5	6H4-13200-02-00	OIL PUMP KIT ASSY	1	
6	6H1-13471-00-00	.PLUG, DRAIN	1	
7	1YU-13187-00-00	.GASKET, BREATHER BOLT	1	
8	93210-19M82-00	.O-RING	1	
9	90109-06M39-00	BOLT	1	
10	90109-06M40-00	BOLT	1	
11	90445-07M44-00	HOSE (L250)	1	
12	90445-07M23-00	HOSE (L408)	1	
13	90445-07MA6-00	HOSE (L90)	1	
14	90468-07M02-00	CLIP	3	
15	90468-07M02-00	CLIP	3	
16	90464-07M20-00	CLAMP	1	
17	6H4-41241-01-00	ROD, LINK	1	
18	6H1-41237-00-00	JOINT, LINK	1	
19	90202-05088-00	WASHER, PLATE	1	
20	90468-05M03-00	CLIP	1	
21	95380-05600-00	NUT	1	
22	6R5-41237-00-00	JOINT, LINK	1	
23	6H4-21707-03-00	OIL TANK	1	
24	90445-11M03-00	HOSE (L330)	1	
25	90464-11M23-00	CLAMP	1	
26	90467-11M08-00	CLIP	2	
27	6H4-21752-00-00	TUBE, FILLER 1	1	
28	90465-13M36-00	CLAMP	1	
29	6H1-2176M-01-00	HOOK	1	
30	6H4-21770-00-00	OIL TANK CAP ASSY	1	
31	6H5-24633-00-00	CHAIN, BALL	1	
32	6J8-21758-00-00	WASHER, SPECIAL 2	1	
33	6H1-21757-00-00	WASHER, SPECIAL 1	1	
34	6H4-21757-00-00	WASHER, SPECIAL 1	1	
35	6J8-13411-00-00	STRAINER, OIL	1	
36	6J8-13414-00-00	GASKET, STRAINER COVER	1	
37	6L2-13416-00-00	PIPE, OIL 1	1	
38	90467-08004-00	CLIP	1	
39	6A0-82317-00-00	DAMPER, IGNITION COIL	3	
40	624-42542-00-00	PIPE	3	
41	90201-06050-00	WASHER, PLATE	3	
42	97313-06030-00	BOLT	3	
43	90445-07M87-00	HOSE (L110)	3	
44	6E9-13183-70-00	VALVE, CHECK	3	
45	90468-07M02-00	CLIP	6	
46	90467-11M08-00	CLIP	1	
47	6H5-85720-11-00	OIL LEVEL GAUGE ASSEMBLY	1	
48	6H4-81315-02-00	LEAD WIRE ASSEMBLY	1	
49	6H1-81971-12-00	WIRE, LEAD	1	
50	6H1-84348-12-00	WIRE, LEAD 1	1	
51	6H1-85740-00-00	RELAY ASSEMBLY	1	
52	90167-06M00-00	SCREW, TAPPING	2	
53	92990-06200-00	WASHER, PLAIN	2	

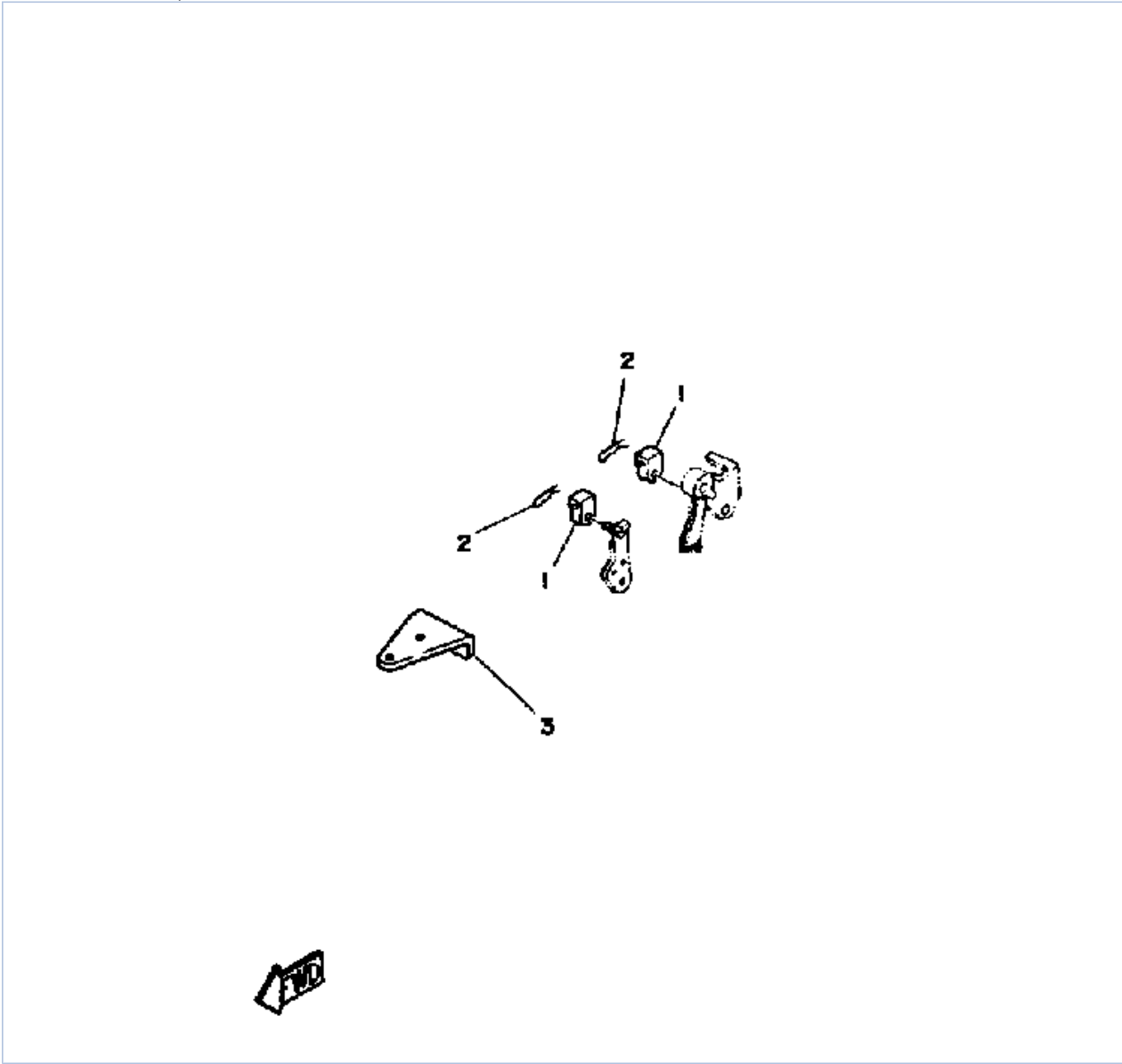
### Part Notes

*PR50LF 1989 / OIL PUMP TANK*

PART NUMBER		NOTE TEXT
6H1-41237-00-00		OEM: This part number is among the Top 100 Most Popular Marine Maintenance Parts as of March 2014.

©2014 Yamaha Motor Corporation, U.S.A. All rights reserved.

PR50LF 1989 / REMOTE CONTROL ATTACHMENT



©2014 Yamaha Motor Corporation, U.S.A. All rights reserved.


## Part List

PR50LF 1989 / REMOTE CONTROL ATTACHMENT

REF - NO	PART NUMBER	PART NAME	QUANTITY	REMARKS
1	6H4-48344-00-00	CABLE END, REMOTE CONTROL	2	
2	90468-18008-00	CLIP	2	
3	6H5-48511-51-EK	HOOK STEERING	1	

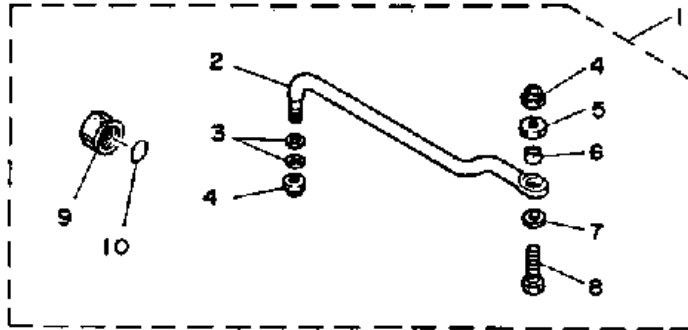
## Part Notes

PR50LF 1989 / REMOTE CONTROL ATTACHMENT

PART NUMBER	NOTE TEXT
90468-18008-00 	OEM: This part number is among the Top 100 Most Popular Marine Maintenance Parts as of March 2014.

©2014 Yamaha Motor Corporation, U.S.A. All rights reserved.

PR50LF 1989 / STEERING GUIDE ATTACHMENT



©2014 Yamaha Motor Corporation, U.S.A. All rights reserved.

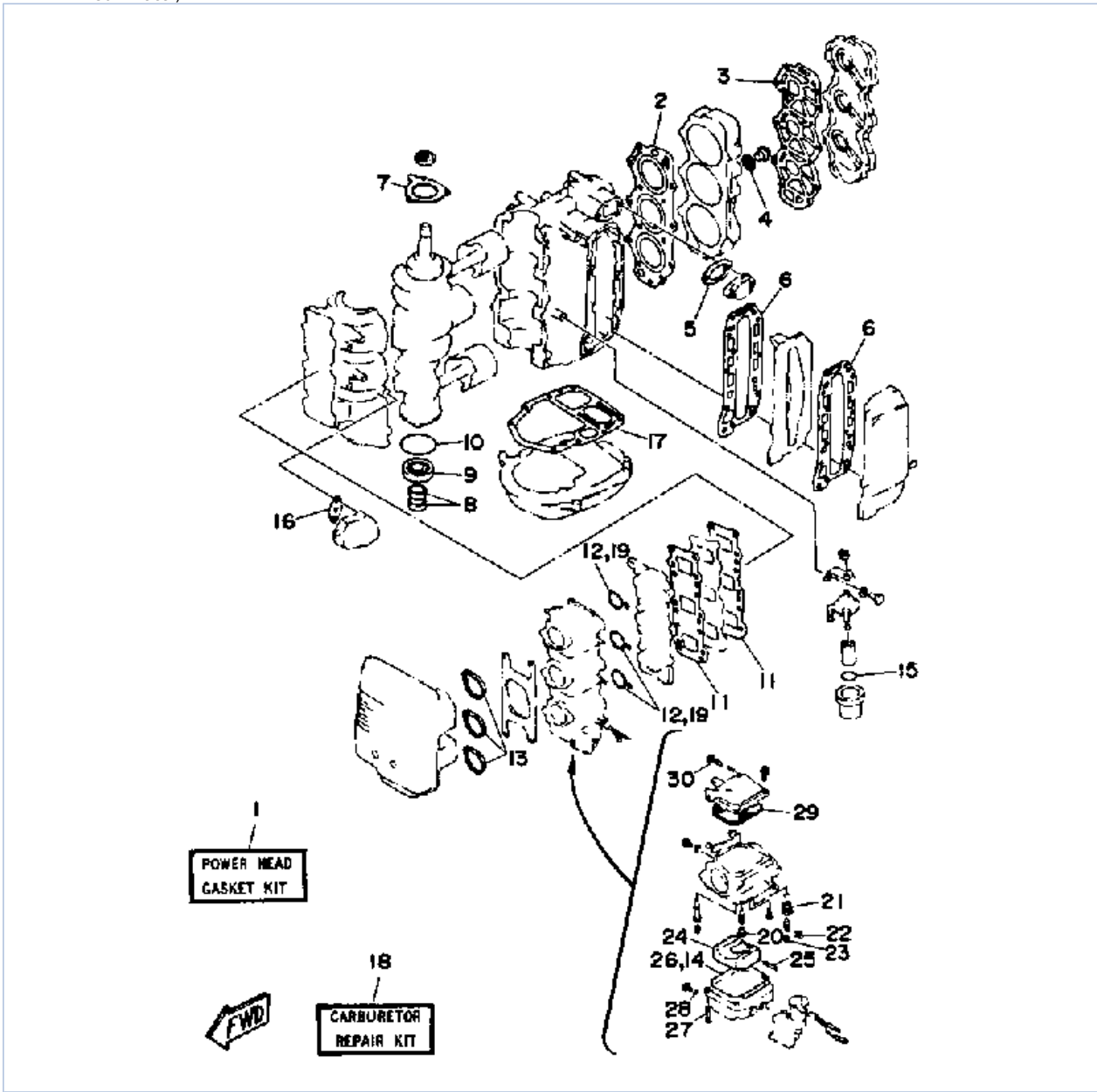


## Part List

PR50LF 1989 / STEERING GUIDE ATTACHMENT

REF - NO	PART NUMBER	PART NAME	QUANTITY	REMARKS
1	688-61350-10-00	STEERING GUIDE ATTACHMENT KIT	1	
2	688-61351-10-00	.ROD, STEERING LINK	1	
3	90201-10M20-00	.WASHER, PLATE	2	
4	90185-09M01-00	.NUT, SELF-LOCKING	2	
5	90170-09M03-00	.NUT	1	
6	90387-10M42-00	.COLLAR	1	
7	90201-10M63-00	.WASHER, PLATE	1	
8	6E5-61355-00-00	.BOLT	1	
9	6E5-43145-00-00	.CAP, CLAMP BRACKET	1	
10	93210-16716-00	.O-RING	1	

PR50LF 1989 / REPAIR KIT 1



©2014 Yamaha Motor Corporation, U.S.A. All rights reserved.


## Part List

PR50LF 1989 / REPAIR KIT 1

REF - NO	PART NUMBER	PART NAME	QUANTITY	REMARKS
1	6H4-W0001-02-00	PWR HEAD GASKIT KIT	1	
2	6H4-11181-A0-00	.GASKET, CYLINDER HEAD 1	1	
3	6H4-11193-00-00	.GASKET, HEAD COVER 1	1	
4	90430-14115-00	.GASKET	1	
5	6J8-12414-A0-00	.GASKET, COVER	1	
6	6H4-41114-A0-00	.GASKET, EXHAUST COVER	2	
7	6H4-15369-A1-00	.GASKET, OIL SEAL HOUSING	1	
8	93101-16M36-00	.OIL SEAL	2	
9	93102-25M28-00	.OIL SEAL	1	
10	93210-57M09-00	.O-RING	1	
11	6H4-13621-A1-00	.GASKET, VALVE SEAT	2	
12	6H4-14198-01-00	.GASKET	3	
13	6H3-14457-01-00	.SEAL	3	
14	6H4-14984-00-00	.GASKET, FLOAT CHAMBER	3	
15	93210-37M25-00	.O-RING	1	
16	650-24431-A0-00	.GASKET, FUEL PUMP 1	1	
17	6H4-45113-A0-00	.GASKET, UPPER CASING	1	
18	6H4-W0093-03-00	CARBURETOR REPAIR KIT	1	
19	6H4-14198-01-00	.GASKET	3	
20	676-14966-00-00	.CAP	3	
21	6H3-14590-00-00	.NEEDLE VALVE ASSEMBLY	3	
22	663-14159-00-00	.CLIP	3	
23	676-14186-00-00	.PIN, FLOAT	3	
24	6H4-14985-00-00	.FLOAT	3	
25	6H4-14548-00-00	.PIN, FLOAT ARM	3	
26	6H4-14984-00-00	.GASKET, FLOAT CHAMBER	3	
27	97980-04114-00	.SCREW, WITH WASHER	3	
28	93210-04230-00	.O-RING	3	
29	6H4-14147-00-00	.O-RING	3	
30	692-14923-00-00	.SCREW, PILOT	3	

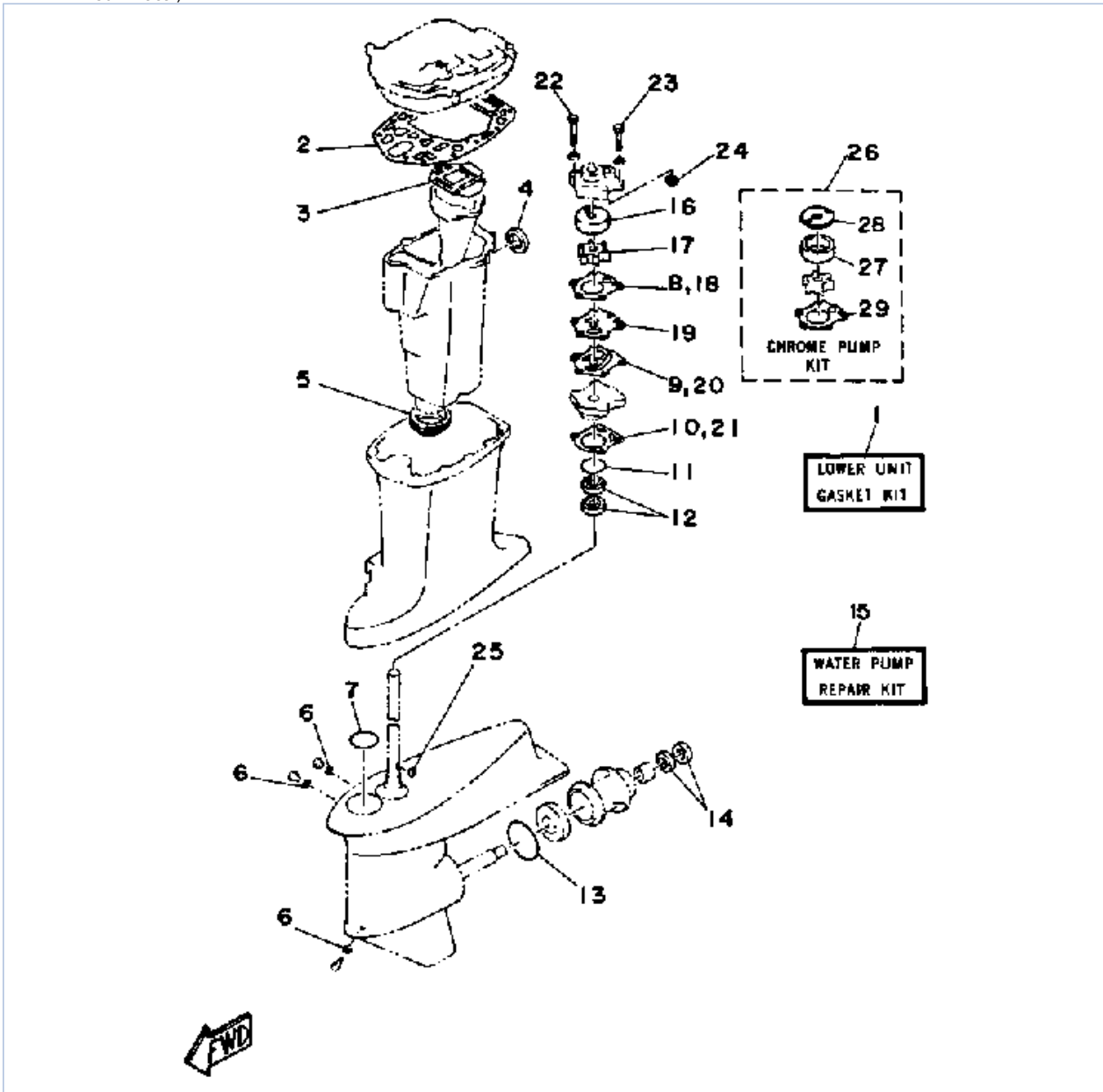
## Part Notes

PR50LF 1989 / REPAIR KIT 1

PART NUMBER	NOTE TEXT
650-24431-A0-00 	OEM: This part number is among the Top 100 Most Popular Marine Maintenance Parts as of March 2014.

©2014 Yamaha Motor Corporation, U.S.A. All rights reserved.

PR50LF 1989 / REPAIR KIT 2



©2014 Yamaha Motor Corporation, U.S.A. All rights reserved.



## Part List

PR50LF 1989 / REPAIR KIT 2

REF - NO	PART NUMBER	PART NAME	QUANTITY	REMARKS
1	6H4-W0001-20-00	LOWER UNIT GASKET KIT	1	
2	6H4-45114-A1-00	.GASKET, UPPER CASING	1	
3	6H4-41134-A0-00	.GASKET, EXHAUST MANIFOLD	1	
4	6H4-41133-00-00	.GASKET, EXHAUST MANIFOLD 1	1	
5	663-45123-00-00	.GASKET, MUFFLER	1	
6	90430-08020-00	.GASKET	3	
7	93210-49046-00	.O-RING	1	
8	663-44315-00-00	.GASKET, WATER PUMP	1	
9	663-44324-00-00	.OIL SEAL	1	
10	663-44316-00-00	.GASKET, WATER PUMP	1	
11	93210-41042-00	.O-RING	1	
12	93101-23070-00	.OIL SEAL	2	
13	93210-66M98-00	.O-RING	1	
14	93101-22067-00	.OIL SEAL	2	
15	6H4-W0078-00-00	WATER PUMP REPAIR KIT	1	
16	663-44322-00-00	.INSERT, CARTRIDGE	1	
17	6H4-44352-02-00	.IMPELLER	1	
18	663-44315-00-00	.GASKET, WATER PUMP	1	
19	663-44323-00-00	.OUTER PLATE, CARTRIDGE	1	
20	663-44324-00-00	.OIL SEAL	1	
21	663-44316-00-00	.GASKET, WATER PUMP	1	
22	97395-08055-00	.BOLT	2	
23	97395-08045-00	.BOLT	2	
24	663-44366-00-00	.DAMPER, WATER SEAL 2	1	
25	90280-03024-00	.KEY, WOODRUFF	1	
26	6H4-W0078-0A-00	CHROME PUMP KIT	1	
27	670-44322-01-00	.INSERT, CARTRIDGE	1	
28	670-44321-00-00	.INNER PLATE, CARTRIDGE	1	
29	670-44323-00-00	.OUTER PLATE, CARTRIDGE	1	

## Part Notes

PR50LF 1989 / REPAIR KIT 2

PART NUMBER		NOTE TEXT
90430-08020-00		OEM: This part number is among the Top 100 Most Popular Marine Maintenance Parts as of March 2014.
6H4-44352-02-00		OEM: This part number is among the Top 100 Most Popular Marine Maintenance Parts as of March 2014.

©2014 Yamaha Motor Corporation, U.S.A. All rights reserved.

©2014 Yamaha Motor Corporation, U.S.A. All rights reserved.