

Part List






C55ELRP 1991 / CRANKCASE CYLINDER

REF - NO	PART NUMBER	PART NAME	QUANTITY	REMARKS
1	697-W0090-02-EJ	CRANK-CYLINDER.ASSEMBLY. (REF.#2-66)	1	
2	697-15100-01-94	CRANKCASE ASSEMBLY	1	
3	650-11370-00-00	.CHECK VALVE ASSY	2	
4	624-14485-00-00	.PIPE, JOINT	1	
5	93604-08062-00	.PIN, DOWEL	1	
6	663-11518-01-00	.LOCK BEARING	2	
7	93608-12063-00	PIN, DOWEL	1	
8	90119-06M12-00	BOLT, WITH WASHER	8	
9	90119-10M07-00	BOLT, WITH WASHER	4	
10	90201-100F7-00	WASHER, PLATE	2	
11	95313-10600-00	NUT	2	
12	90445-07240-00	HOSE (L330)	2	
13	90467-06016-00	CLIP	4	
14	90461-04011-00	CLAMP	1	
15	663-15359-01-94	HOUSING, OIL SEAL	1	
16	93104-18049-00	OIL SEAL	1	
17	93102-28135-00	OIL SEAL	1	
18	93210-62269-00	O-RING	1	
19	97395-06016-00	BOLT, HEX	3	
20	92990-06600-00	WASHER, PLATE	3	
21	90116-10177-00	BOLT, STUD	2	
22	663-11325-00-00	ANODE	1	
23	98680-04016-00	SCREW OVAL HEAD	2	
24	697-11119-00-00	HANGER, ENGINE	1	
25	97013-08025-00	BOLT	1	
26	92990-08100-00	WASHER, SPRING	1	
27	663-11111-02-94	HEAD, CYLINDER 1	1	
28	697-11181-A0-00	GASKET, CYLINDER HEAD 1	1	
29	90119-08M21-00	BOLT, WITH WASHER	10	
30	663-11191-00-9M	COVER, CYLINDER HEAD 1	1	
31	663-11193-00-00	GASKET, HD.COVER 1	1	
32	97313-06020-00	BOLT, HEXAGON	12	
33	92990-06600-00	WASHER, PLATE	12	
34	90430-14115-00	.GASKET	1	
35	90340-14036-00	PLUG, STRAIGHT SCREW	1	
36	663-12416-00-00	VALVE, PRESSURE CONTROL	1	
37	90501-14234-00	SPRING, COMPRESSION	1	
38	90480-18065-00	GROMMET	1	
39	6F5-12411-02-00	THERMOSTAT	1	
40	663-12413-00-9M	COVER, THERMOSTAT	1	
41	663-12414-00-00	GASKET, COVER	1	
42	97313-06030-00	BOLT	4	
43	92990-06600-00	WASHER, PLATE	4	
44	663-41113-00-9M	OUTER COVER, EXHAUST	1	
45	663-41114-A0-00	GASKET, EXHAUST OUTER COVER	1	
46	97313-06020-00	BOLT, HEXAGON	9	
47	92990-06600-00	WASHER, PLATE	9	
48	652-24461-00-00	PIPE, JOINT 4	1	
49	663-24312-01-00	PIPE 2	2	
50	90467-08004-00	CLIP	2	
51	663-11411-01-00	CRANKSHAFT	1	

52	93311-632U1-00	BEARING	1	
53	93102-32M07-00	.OIL SEAL	1	
54	93210-42159-00	.O-RING	1	
55	93311-832U4-00	BEARING	1	
56	93306-206U4-00	BEARING	1	
57	663-11561-00-00	SHIM, CRANK 1	1	
58	688-11631-02-95	PISTON STD (STD)	2	
58	688-11636-02-00	PISTON 2 O/S 0.50 (0.50MM O/S)	2	AP
59	688-11610-02-00	PISTON RINGSET STD (STD)	2	
59	688-11610-22-00	PISTON RINGSET 2ND (2ND O/S)	2	AP
60	663-11633-00-00	PIN, PISTON	2	
61	688-11634-00-00	CLIP, PISTON PIN	4	
62	688-11650-03-00	CONNECTING ROD ASSY	2	
63	90109-08M61-00	.BOLT	2	
64	93603-21111-00	PIN, DOWEL	56	
65	93310-730V8-00	BEARING	2	
66	90201-20417-00	WASHER, PLATE	4	
67	NGK-B8HS1-00-00	PLUG, SPARK (NGK B8HS-10)	2	

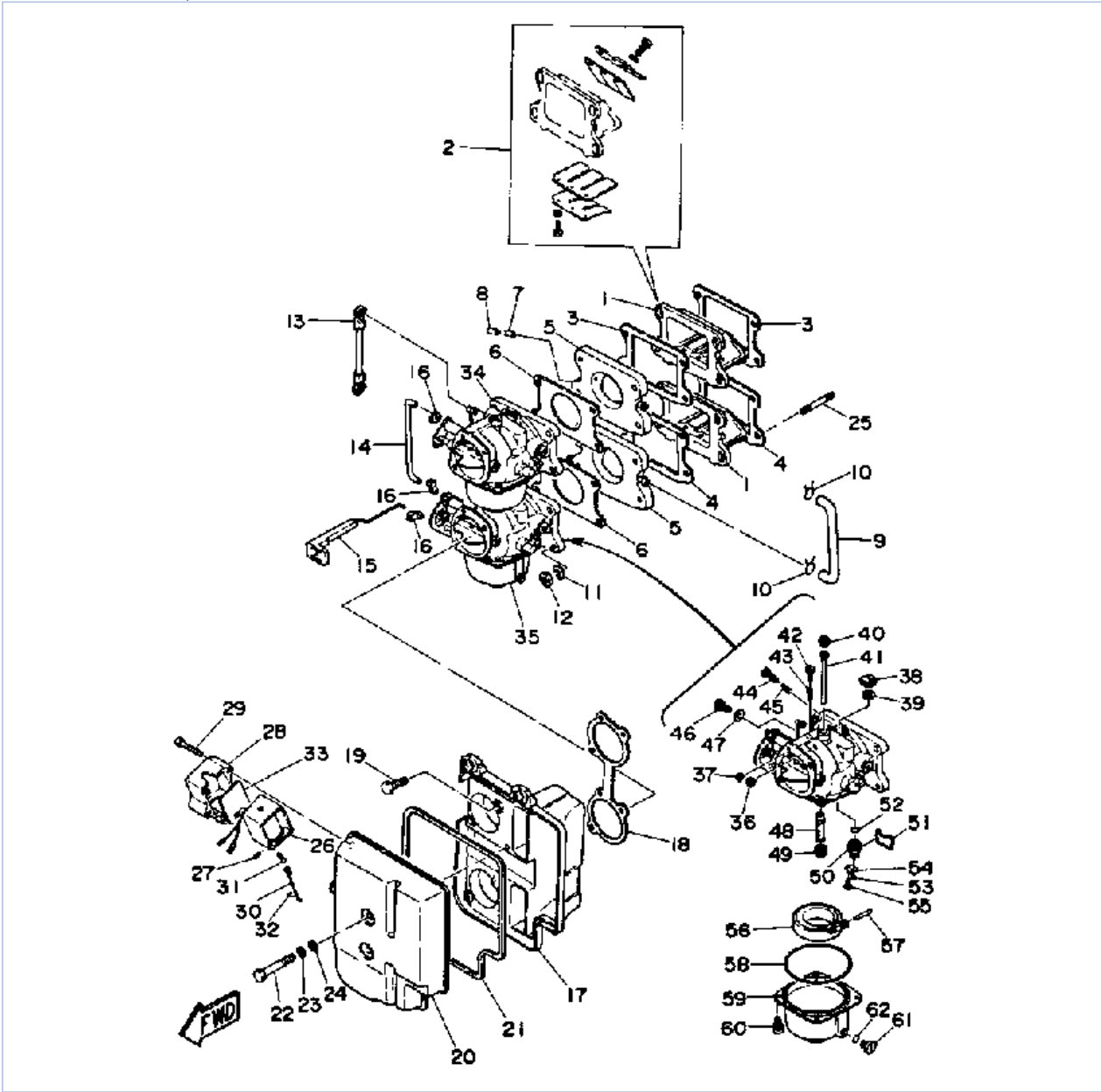
Part Notes

C55ELRP 1991 / CRANKCASE CYLINDER

PART NUMBER		NOTE TEXT
92990-06600-00		OEM: This part number is among the Top 100 Most Popular Marine Maintenance Parts as of March 2014.
92990-06600-00		OEM: This part number is among the Top 100 Most Popular Marine Maintenance Parts as of March 2014.
92990-06600-00		OEM: This part number is among the Top 100 Most Popular Marine Maintenance Parts as of March 2014.
92990-06600-00		OEM: This part number is among the Top 100 Most Popular Marine Maintenance Parts as of March 2014.
93603-21111-00		OEM: This part number is among the Top 100 Most Popular Marine Maintenance Parts as of March 2014.

©2014 Yamaha Motor Corporation, U.S.A. All rights reserved.

C55ELRP 1991 / INTAKE CARBURETOR



©2014 Yamaha Motor Corporation, U.S.A. All rights reserved.

Part List


C55ELRP 1991 / INTAKE CARBURETOR

REF - NO	PART NUMBER	PART NAME	QUANTITY	REMARKS
1	697-13610-00-00	REED VALVE ASSEMBLY	2	
2	692-W0004-00-00	.REED SET	1	
3	663-13621-A0-00	GASKET, VALVE SEAT	2	
4	663-13622-A0-00	GASKET, VALVE SEAT	2	
5	663-13641-02-94	MANIFOLD 1	2	
6	663-14198-00-00	GASKET	2	
7	624-14485-00-00	.PIPE, JOINT	2	
8	647-14395-60-00	CAP, OVERFLOW PIPE	1	
9	663-24321-00-00	PIPE 10	1	
10	90467-08004-00	CLIP	2	
11	92995-06100-00	WASHER, SPRING	8	
12	95380-06600-00	NUT, HEXAGON	8	
13	697-41217-01-00	ROD, ACCEL. LEVER	1	
14	663-41257-02-00	ROD, CHOKE 2	1	
15	663-41256-01-00	ROD, CHOKE 1	1	
16	661-41262-02-00	JOINT, CHOKE LEVER	3	
17	697-14417-00-94	COVER 1	1	
18	663-14483-00-00	GASKET	1	
19	97313-06025-00	BOLT	4	
20	697-14418-00-94	COVER 2	1	
21	697-14416-00-00	GASKET, AIR CLEANER	1	
22	97313-06045-00	BOLT, HEXAGON	2	
23	92995-06100-00	WASHER, SPRING	2	
24	92990-06600-00	WASHER, PLATE	2	
25	90116-06176-00	BOLT, STUD	8	
26	663-86110-02-00	SOLENOID	1	
27	91690-30010-00	PIN, SPRING	1	
28	663-86115-00-00	HOLDER, SOLENOID	1	
29	98580-05530-00	SCREW, PAN HEAD	2	
30	663-86116-01-00	WIRE, PULL	1	
31	676-86117-00-00	HOOK, WIRE PULL	1	
32	93210-03261-00	O-RING	1	
33	663-86118-00-00	DAMPER	1	
34	697-14501-04-00	CARBURETOR ASSEMBLY 1	1	
35	697-14502-04-00	CARBURETOR ASSEMBLY 2	1	
36	663-14950-27-00	.PILOT, AIR JET	2	
37	663-14945-32-00	.JET (#125)	2	
38	697-14991-00-00	.SCREW	2	
39	679-14557-00-00	.WASHER	2	
40	663-14567-01-00	.SCREW	2	
41	663-14942-19-00	.JET, PILOT	2	
42	663-14523-00-00	.SCREW, STOP	1	
43	90501-10326-00	.SPRING, COMPRESSION	1	
44	663-14923-00-00	.SCREW, PILOT	2	
45	90501-08214-00	.SPRING, COMPRESSION	2	
46	663-14592-00-00	.SCREW	1	
47	90201-05652-00	.WASHER, PLATE	1	
48	663-14947-01-00	.JET, NEEDLE	2	
49	663-14943-39-00	.JET, MAIN (#160)	2	
50	696-14590-00-00	.NEEDLE VALVE ASSY	2	
51	663-14159-00-00	.CLIP	2	
52	93210-07229-00	.O-RING	2	
53	676-14186-00-00	.PIN, FLOAT	2	

54	371-14919-60-00	.CLIP	2	
55	98511-04006-00	.SCREW, PAN HEAD (98502-04006)	2	
56	6F0-14985-00-00	.FLOAT	2	
57	663-14548-00-00	.PIN, FLOAT ARM	2	
58	93210-64272-00	.O-RING	2	
59	663-14980-00-00	.BODY, FLOAT CHAMBER	2	
60	97980-04112-00	SCREW, WITH WASHER	8	
61	6H3-14992-00-00	.SCREW, DRAIN	2	
62	93210-04230-00	.O-RING	2	

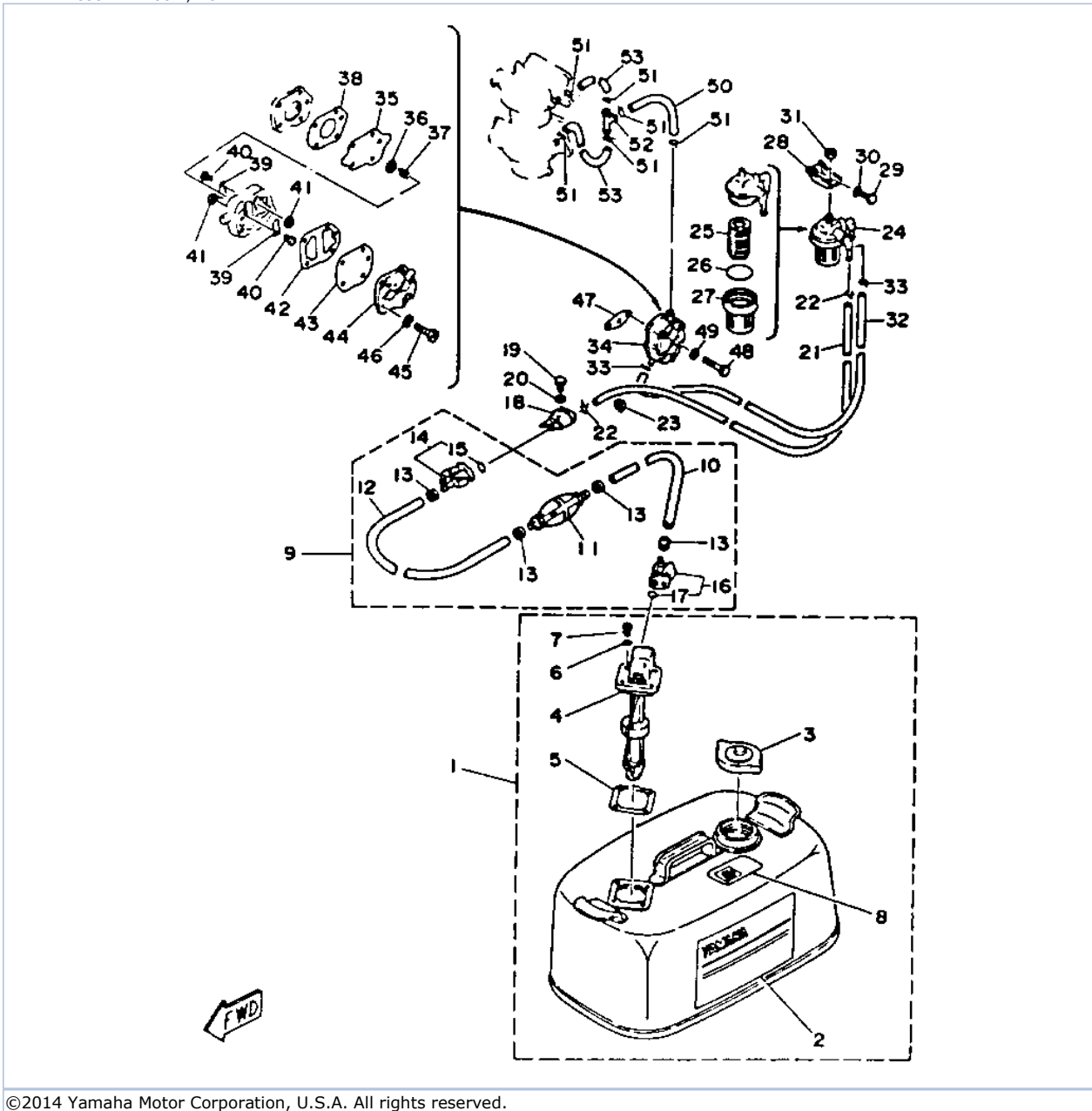
Part Notes

C55ELRP 1991 / INTAKE CARBURETOR

PART NUMBER	NOTE TEXT
92990-06600-00 	OEM: This part number is among the Top 100 Most Popular Marine Maintenance Parts as of March 2014.

©2014 Yamaha Motor Corporation, U.S.A. All rights reserved.

C55ELRP 1991 / FUEL TANK



©2014 Yamaha Motor Corporation, U.S.A. All rights reserved.



Part List

C55ELRP 1991 / FUEL TANK

REF - NO	PART NUMBER	PART NAME	QUANTITY	REMARKS
1	6Y1-W2420-42-24	FUEL TANK ASSEMBLY	1	
2	6Y1-24244-20-00	.GRAPHIC, SIDE	1	
3	6Y1-24610-00-00	.CAP ASSEMBLY	1	
4	6Y1-24260-02-00	.FUEL METER ASSEMBLY	1	
5	6Y1-24268-00-00	.GASKET, FUEL METER	1	
6	6Y1-24329-00-00	.SEAL	4	
7	98586-05016-00	.SCREW, PAN HEAD	4	
8	6Y1-24254-40-00	.GRAPHIC, FUEL TANK 7	1	
9	6Y1-24306-51-00	FUEL PIPE COMP. 1	1	
10	90445-11M06-00	.HOSE (L2050)	1	
11	6Y1-24360-51-00	.PRIMER PUMP ASSY	1	
12	90445-11M05-00	.HOSE (L850)	1	
13	650-24351-51-00	.BAND 1	4	
14	6G1-24305-01-00	.FUEL PIPE JOINT COMP 2	1	
15	93210-08287-00	..O-RING	1	
16	6Y1-24305-02-00	.FUEL PIPE JOINT COMP 2	1	
17	93210-08287-00	..O-RING	1	
18	6G1-24304-02-00	FUEL PIPE JOINT COMP. 1	1	
19	97313-06020-00	BOLT, HEXAGON	1	
20	92990-06600-00	WASHER, PLATE	1	
21	90445-09M25-00	HOSE (L600)	1	
22	90467-08004-00	CLIP	2	
23	90464-04011-00	CLAMP	1	
24	655-24560-01-00	FILTER ASSEMBLY	1	
25	6F5-24563-00-00	.ELEMENT, FILTER	1	
26	93210-37M25-00	.O-RING	1	
27	655-24521-01-00	.CUP, FILTER	1	
28	648-24566-01-00	BRACKET, FILTER	1	
29	97313-06014-00	BOLT, HEXAGON	1	
30	92995-06100-00	WASHER, SPRING	1	
31	95380-08600-00	NUT	1	
32	90445-09095-00	HOSE (L215)	1	
33	90467-08004-00	CLIP	2	
34	6A0-24410-05-00	FUEL PUMP ASSEMBLY	1	
35	648-24411-00-00	.DIAPHRAGM	1	
36	648-24424-00-00	.SEAT, SPRING	1	
37	648-24423-00-00	.SPRING, DIAPHRAGM	1	
38	648-24434-01-00	.GASKET, BODY	1	
39	6A0-24421-01-00	.VALVE, CHECK	2	
40	6A0-14325-00-00	.SCREW, PAN HEAD	2	
41	95380-03600-00	.NUT	2	
42	648-24435-02-00	.GASKET, BODY 2	1	
43	663-24411-00-00	.DIAPHRAGM	1	
44	648-24413-01-00	.BODY 2	1	
45	98580-05530-00	.SCREW, PAN HEAD	3	
46	92990-05100-00	.WASHER, SPRING	3	
47	650-24431-A0-00	GASKET, FUEL PUMP 1	1	
48	97395-06040-00	BOLT	2	
49	92990-06600-00	WASHER, PLATE	2	
50	90445-09089-00	HOSE	1	
51	90467-08004-00	CLIP	6	
52	688-24378-00-00	PIPE, JOINT 3	1	
53	90445-09061-00	HOSE (L65)	2	

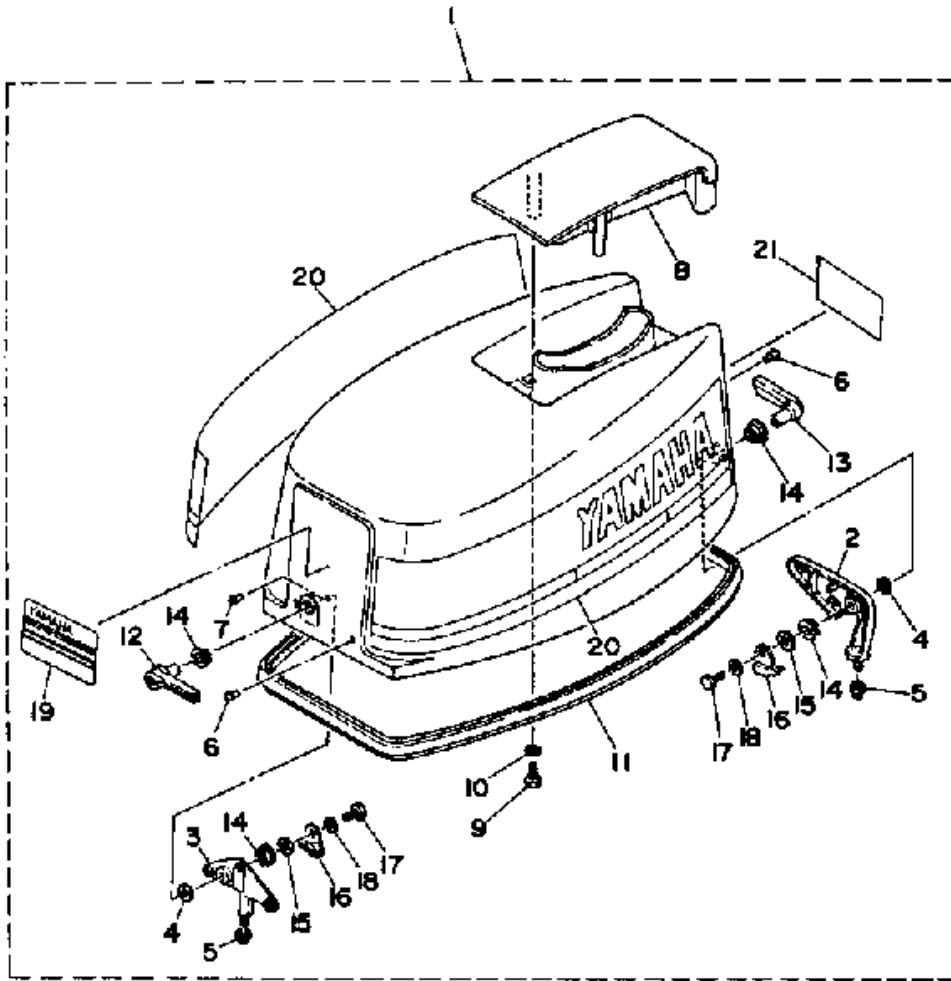
Part Notes

C55ELRP 1991 / FUEL TANK

PART NUMBER		NOTE TEXT
92990-06600-00		OEM: This part number is among the Top 100 Most Popular Marine Maintenance Parts as of March 2014.
650-24431-A0-00		OEM: This part number is among the Top 100 Most Popular Marine Maintenance Parts as of March 2014.
92990-06600-00		OEM: This part number is among the Top 100 Most Popular Marine Maintenance Parts as of March 2014.

©2014 Yamaha Motor Corporation, U.S.A. All rights reserved.

C55ELRP 1991 / TOP COWLING



©2014 Yamaha Motor Corporation, U.S.A. All rights reserved.


Part List

C55ELRP 1991 / TOP COWLING

REF - NO	PART NUMBER	PART NAME	QUANTITY	REMARKS
1	697-42610-L0-EJ	TOP COWLING ASSEMBLY	1	
2	697-42647-00-94	.HOLDER, CLAMP BAND	1	
3	697-42649-00-94	.HOLDER, CLAMP BAND	1	
4	90202-19M10-00	.WASHER, PLATE	2	
5	663-42662-00-00	.DAMPER	2	
6	90266-06M02-00	.RIVET	5	
7	90266-06M02-00	.RIVET	1	
8	697-42613-00-EJ	.MOLDING, AIR DUCT	1	
9	97313-06016-00	.BOLT, HEXAGON	4	
10	92990-06600-00	.WASHER, PLATE	4	
11	663-42615-02-00	.SEAL	1	
12	697-42815-10-98	.LEVER, CLAMP	1	
13	697-42817-10-98	.LEVER, CLAMP	1	
14	90386-13M38-00	.BUSH	4	
15	90206-13019-00	.WASHER, WAVE	2	
16	663-42816-02-00	.LEVER, CLAMP	2	
17	97013-06012-00	.BOLT	2	
18	90201-06M02-00	.WASHER, PLATE	2	
19	689-42677-01-00	.GRAPHIC, FRONT	1	
20	697-W0070-21-00	.GRAPHIC SET	1	
21	697-42678-L0-00	.GRAPHIC, REAR	1	

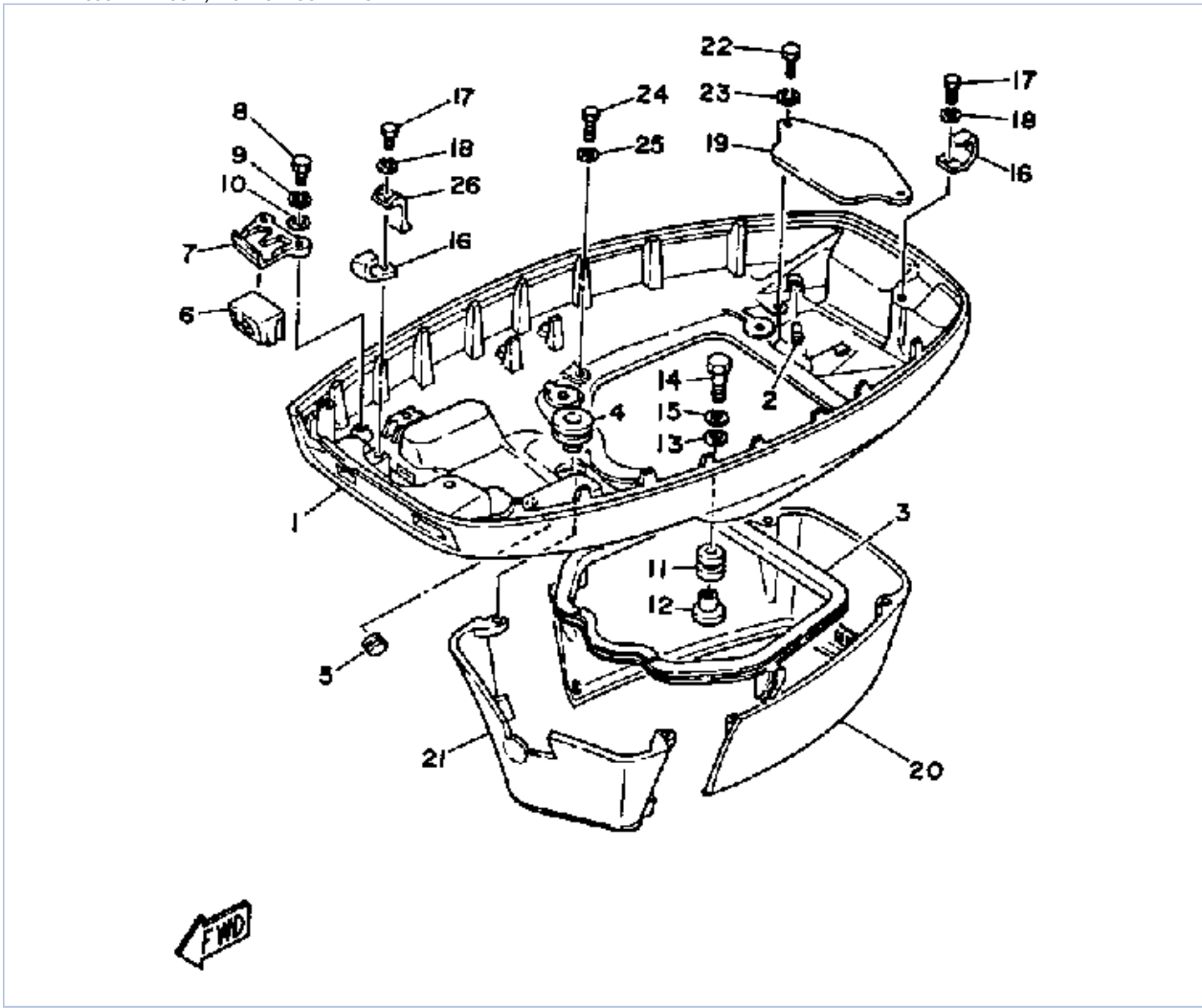
Part Notes

C55ELRP 1991 / TOP COWLING

PART NUMBER	NOTE TEXT
92990-06600-00 	OEM: This part number is among the Top 100 Most Popular Marine Maintenance Parts as of March 2014.

©2014 Yamaha Motor Corporation, U.S.A. All rights reserved.

C55ELRP 1991 / BOTTOM COWLING



©2014 Yamaha Motor Corporation, U.S.A. All rights reserved.


Part List

C55ELRP 1991 / BOTTOM COWLING

REF - NO	PART NUMBER	PART NAME	QUANTITY	REMARKS
1	697-42711-00-EJ	BOTTOM COWLING	1	
2	663-24376-00-00	PIPE, JOINT 1	1	
3	663-42716-01-00	RUBBER, SEAL 1	1	
4	663-42724-00-00	GROMMET	1	
5	90480-12004-00	GROMMET	1	
6	663-42725-00-00	GROMMET 2	1	
7	663-42738-02-94	PLATE, FITTING	1	
8	97313-06016-00	BOLT, HEXAGON	2	
9	92995-06100-00	WASHER, SPRING	2	
10	92990-06600-00	WASHER, PLATE	2	
11	90480-09M12-00	GROMMET	4	
12	90387-06M03-00	COLLAR	4	
13	90201-06416-00	WASHER, PLATE	4	
14	97313-06030-00	BOLT	4	
15	92995-06100-00	WASHER, SPRING	4	
16	663-42744-02-00	STAY	2	
17	97313-06014-00	BOLT, HEXAGON	2	
18	92995-06100-00	WASHER, SPRING	2	
19	663-42723-01-94	COVER, BOTTOM	1	
20	663-42741-00-EJ	APRON 1	1	
21	663-42771-01-EJ	APRON 2	1	
22	97395-06020-00	BOLT, HEXAGON	2	
23	92995-06100-00	WASHER, SPRING	2	
24	97395-06025-00	BOLT	2	
25	92995-06100-00	WASHER, SPRING	2	
26	663-82594-02-00	CLAMP	1	

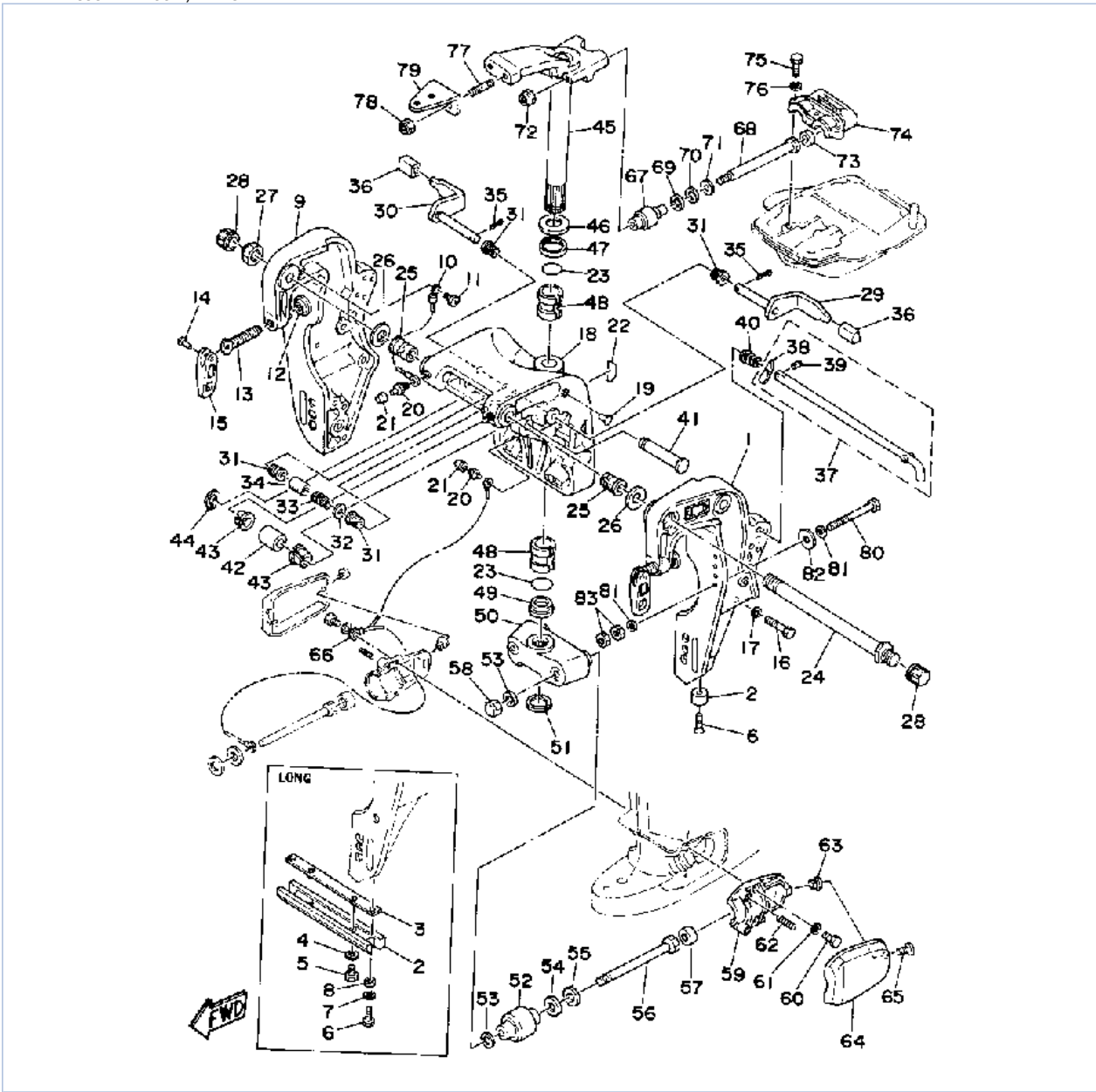
Part Notes

C55ELRP 1991 / BOTTOM COWLING

PART NUMBER	NOTE TEXT
92990-06600-00 	OEM: This part number is among the Top 100 Most Popular Marine Maintenance Parts as of March 2014.

©2014 Yamaha Motor Corporation, U.S.A. All rights reserved.

C55ELRP 1991 / BRACKET 1



©2014 Yamaha Motor Corporation, U.S.A. All rights reserved.

Part List



C55ELRP 1991 / BRACKET 1

REF - NO	PART NUMBER	PART NAME	QUANTITY	REMARKS
1	688-43111-12-EJ	BRACKET, CLAMP	1	
2	6H1-45251-02-00	ANODE	1	
3	6H1-44526-00-00	PLATE	1	
4	90201-06M31-00	.WASHER, PLATE	2	
5	97395-06012-00	BOLT	2	
6	97395-06016-00	BOLT, HEX	2	
7	92995-06100-00	WASHER, SPRING	2	
8	92990-06600-00	WASHER, PLATE	2	
9	688-43112-12-EJ	BRACKET, CLAMP	1	
10	6E5-82148-00-00	WIRE, LEAD 4	1	
11	98580-06012-00	SCREW, PAN HEAD	1	
12	648-43114-01-00	PAD, TRANSOM CLAMP	2	
13	663-43116-00-00	SCREW, TRANSOM CLAM	2	
14	90243-04007-00	PIN	2	
15	663-43118-00-EJ	HANDLE, TRANSOM CLP	2	
16	97395-10045-00	BOLT	6	
17	92990-10100-00	WASHER, SPRING	6	
18	688-43311-14-EJ	BRACKET, SWIVEL 1	1	
19	90269-03010-00	RIVET	1	
20	93700-06M03-00	NIPPLE, GREASE	3	
21	663-45119-00-00	CAP, GREASE NIPPLE	3	
22	688-43691-01-00	INDICATOR, TILT	1	
23	93210-29M94-00	O-RING	2	
24	688-43131-03-00	BOLT, CLAMP BRACKET	1	
25	90386-22M15-00	BUSH	2	
26	90201-22M67-00	WASHER, PLATE	2	
27	90185-22043-00	NUT, SELF-LOCKING	1	
28	6G5-43145-00-00	CAP, CLAMP BRACKET	2	
29	688-43181-04-00	LEVER, TILT STOP	1	
30	688-43185-04-00	LEVER, TILT STOP	1	
31	90386-10M16-00	BUSH	4	
32	92990-10600-00	WASHER, PLATE	1	
33	90501-10M21-00	SPRING, COMPRESSION	1	
34	90387-10M38-00	COLLAR	1	
35	91490-30030-00	PIN, COTTER	2	
36	663-43318-00-00	COVER	2	
37	688-43160-01-00	TILT ROD ASSY	1	
38	688-43165-00-00	.PLATE, TILT LOCK	1	
39	91690-30012-00	.PIN, SPRING	1	
40	90502-16M02-00	SPRING, CONICAL	1	
41	6E5-43126-02-00	PIN, UPPER SHOCK MOUNT	1	
42	90386-18M21-00	BUSH	1	
43	90386-18M35-00	BUSH	2	
44	93410-18M02-00	CIRCLIP	1	
45	663-42510-12-EJ	STEERING BRACKET	1	
46	90201-30M00-00	WASHER, PLATE	1	
47	90386-30M78-00	BUSH	1	
48	90386-30M77-00	BUSH	2	
49	90386-30M60-00	BUSH	1	
50	663-44551-01-EJ	HOUSING, LWR, MOUNT	1	
51	93410-28M06-00	CIRCLIP	1	
52	687-44555-00-94	MOUNT DAMPER, LOWER SIDE	2	
53	90201-12M16-00	WASHER, PLATE	4	

54	90202-25M04-00	WASHER, PLATE	2	
55	90201-13M19-00	WASHER, PLATE	2	
56	90109-12261-00	BOLT	2	
57	663-44575-00-00	DAMPER, LOWER MOUNT RUBBER	2	
58	95380-12800-00	NUT, CROWN	2	
59	687-44552-01-94	HOUSING, LOWER MOUNT RUBBER	2	
60	97395-08025-00	BOLT	4	
61	92990-08100-00	WASHER, SPRING	4	
62	90501-14236-00	SPRING, COMPRESSION	4	
63	90179-06066-00	NUT	2	
64	663-44553-00-EJ	COVER, LWR.MOUNT	2	
65	98580-06016-00	SCREW, PAN HEAD	2	
66	688-82127-02-00	WIRE, LEAD 2	1	
67	670-44514-00-94	MOUNT DAMPER, UPPER SIDE	2	
68	90109-08262-00	BOLT	2	
69	90201-15423-00	WASHER, PLATE	2	
70	90202-15065-00	WASHER, PLATE	2	
71	90201-09425-00	WASHER, PLATE	2	
72	90185-08045-00	NUT, SELF-LOCKING	2	
73	663-44533-00-00	DAMPER, UPPER MOUNT RUBBER	2	
74	663-44511-00-94	COVER, UPPER MOUNT	1	
75	97090-08035-00	BOLT	3	
76	92990-08100-00	WASHER, SPRING	3	
77	90116-10175-00	BOLT, STUD	2	
78	90185-10051-00	NUT, SELF-LOCKING	2	
79	688-48511-51-EJ	HOOK, STEERING	1	UR STEERING GUIDE TYPE
79	(688-48511-00-EJ)	HOOK STEERING	1	UR BALL POST TYPE
80	90101-12M51-00	BOLT	4	
81	92995-12200-00	WASHER	8	
82	90201-12426-00	WASHER, PLATE	4	
83	95380-12600-00	NUT	8	

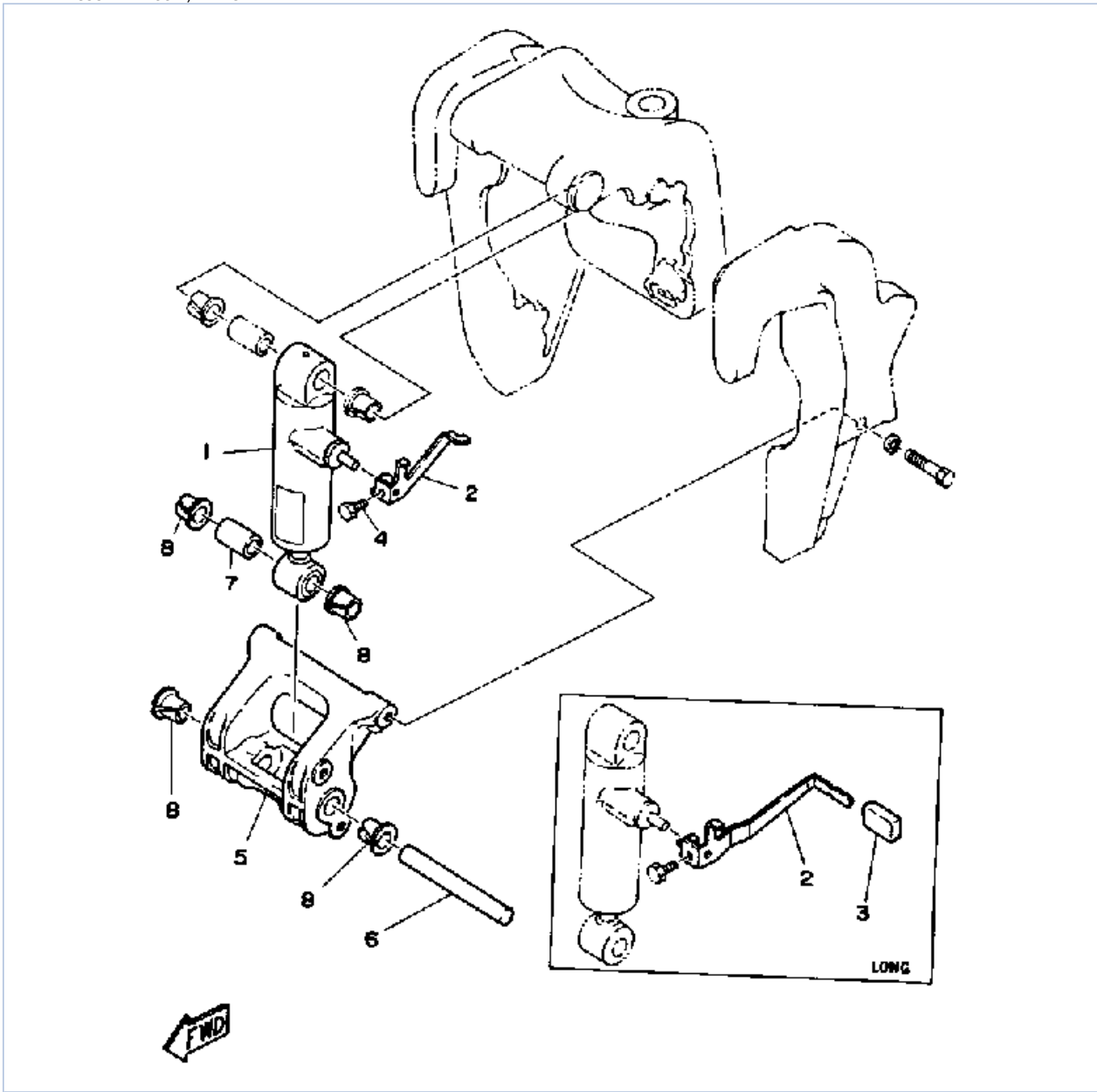
Part Notes

C55ELRP 1991 / BRACKET 1

PART NUMBER		NOTE TEXT
92990-06600-00		OEM: This part number is among the Top 100 Most Popular Marine Maintenance Parts as of March 2014.
92990-10600-00		OEM: This part number is among the Top 100 Most Popular Marine Maintenance Parts as of March 2014.

©2014 Yamaha Motor Corporation, U.S.A. All rights reserved.

C55ELRP 1991 / BRACKET 2



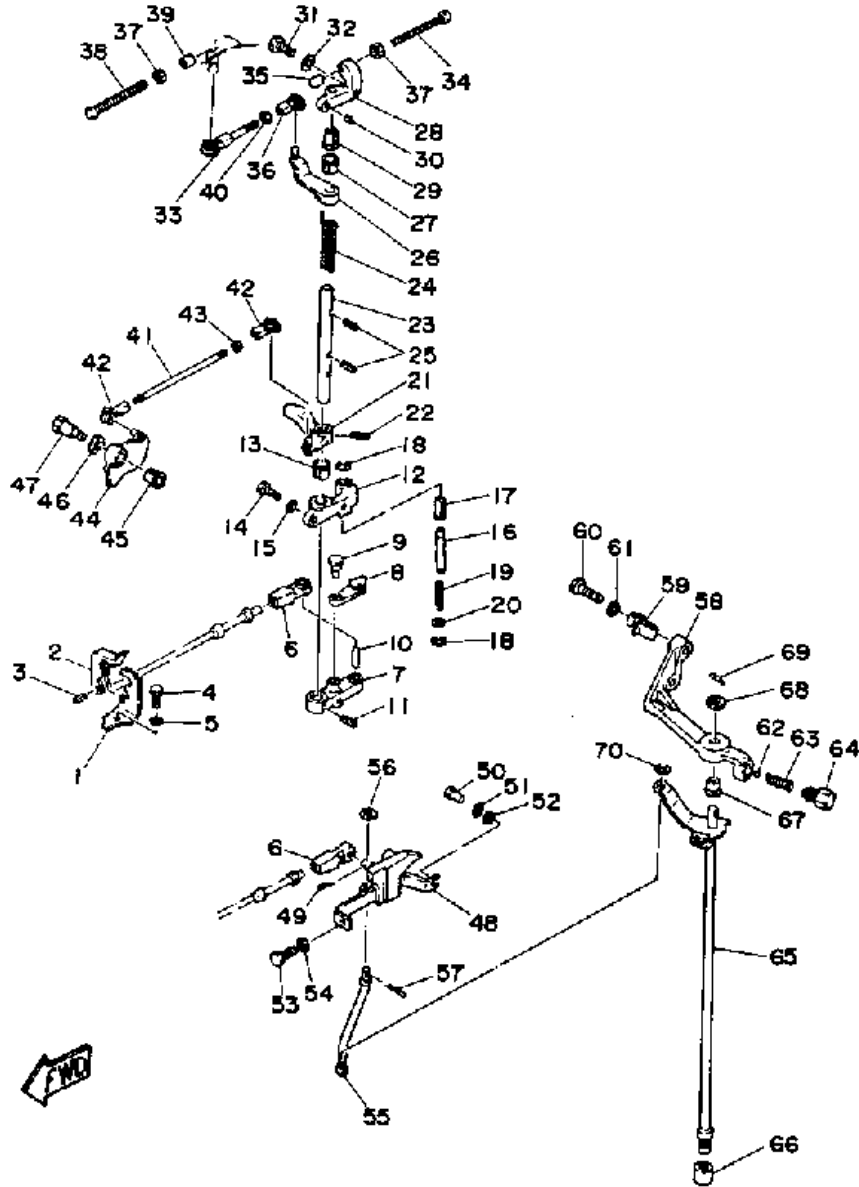
©2014 Yamaha Motor Corporation, U.S.A. All rights reserved.

Part List

C55ELRP 1991 / BRACKET 2

REF - NO	PART NUMBER	PART NAME	QUANTITY	REMARKS
1	688-43170-04-EJ	SHOCK ABSORBER	1	
2	688-43631-10-00	LEVER, TILT	1	
3	682-43318-01-00	COVER	1	
4	97395-06010-00	BOLT	1	
5	688-43128-01-EJ	SPACER, CLAMP BRACK	1	
6	688-43124-02-00	PIN, LOWER SHOCK MOUNT	1	
7	90386-18M21-00	BUSH	1	
8	90386-18M35-00	BUSH	4	

C55ELRP 1991 / CONTROL ENGINE



©2014 Yamaha Motor Corporation, U.S.A. All rights reserved.

Part List











C55ELRP 1991 / CONTROL ENGINE

REF - NO	PART NUMBER	PART NAME	QUANTITY	REMARKS
1	663-48531-00-00	BRACKET, REMOTE CONTROL	1	
2	663-48538-00-00	CLAMP, CABLE 1	1	
3	91690-30012-00	.PIN, SPRING	1	
4	97313-08016-00	BOLT, HEXAGON	1	
5	92990-08100-00	WASHER, SPRING	1	
6	663-48344-00-00	.CABLE END, REMOTE CONTROL	2	
7	663-41632-00-94	LEVER, MAGNETO CONTROL	1	
8	663-41282-00-00	STOPPER, FREE ACCEL. LINK	1	
9	90249-05125-00	PIN	1	
10	93607-23110-00	PIN, DOWEL	1	
11	91690-30018-00	PIN, SPRING	1	
12	663-41662-00-94	BRACKET	1	
13	90386-10009-00	.BUSH	1	
14	97313-06018-00	BOLT	2	
15	92990-06600-00	WASHER, PLATE	2	
16	663-44114-00-00	STOPPER	1	
17	90386-06M39-00	BUSH	1	
18	99080-05600-00	CIRCLIP	2	
19	90501-08232-00	SPRING, COMPRESSION	1	
20	92990-06600-00	WASHER, PLATE	1	
21	663-41633-00-94	LEVER, MAGNETO CONTROL	1	
22	91690-30018-00	PIN, SPRING	1	
23	663-41635-00-00	SHAFT, LINK CONNECTING	1	
24	90508-20169-00	SPRING, TORSION	1	
25	91690-30018-00	PIN, SPRING	2	
26	663-41631-00-94	LEVER, MAGNETO CONTROL	1	
27	90386-10009-00	.BUSH	1	
28	663-41661-00-94	BRACKET	1	
29	90386-10009-00	.BUSH	1	
30	91690-40010-00	PIN, SPRING	1	
31	97313-06018-00	BOLT	1	
32	92990-06600-00	WASHER, PLATE	1	
33	688-41636-00-00	ROD, MAGNETO CONTROL	1	
34	90157-06M11-00	SCREW, PAN HEAD	1	
35	688-44194-00-00	CAP	1	
36	6H1-41237-00-00	JOINT, LINK	1	
37	95380-06700-00	NUT	2	
38	90157-06014-00	SCREW, PAN HEAD	1	
39	663-44194-00-00	CAP	1	
40	95380-05600-00	NUT	1	
41	663-41211-10-00	LINK, ACCEL.	1	
42	6H1-41237-00-00	JOINT, LINK	2	
43	95380-05600-00	NUT	1	
44	663-41213-01-94	CAM, ACCEL.	1	
45	90386-10009-00	.BUSH	1	
46	90206-10M04-00	WASHER, WAVE	1	
47	90109-06260-00	BOLT	1	
48	697-44117-00-00	BRACKET 1	1	
49	90468-18008-00	CLIP	1	
50	90241-06M00-00	PIN	1	
51	92990-06600-00	WASHER, PLATE	1	
52	90206-06040-00	WASHER, WAVE	1	
53	97313-06018-00	BOLT	1	

54	92990-06600-00	WASHER, PLATE	1	
55	663-44121-01-00	LEVER, SHIFT ROD	1	
56	92990-06600-00	WASHER, PLATE	1	
57	91490-16020-00	PIN, COTTER	1	
58	688-44118-00-94	BRACKET	1	
59	90462-05M02-00	CLAMP	1	
60	97313-08030-00	BOLT	2	
61	92990-08100-00	WASHER, SPRING	2	
62	93501-04M02-00	BALL	1	
63	90501-12082-00	SPRING, COMPRESSION	1	
64	648-42715-00-00	BUSHING	1	
65	697-44120-11-00	HANDLE GEAR SHIFT ASSEMBLY	1	
66	696-44147-00-00	BOOT, SHIFT ROD	1	
67	90386-08006-00	BUSH	1	
68	92990-08200-00	WASHER, PLAIN	1	
69	90468-18008-00	CLIP	1	
70	99080-05600-00	CIRCLIP	1	

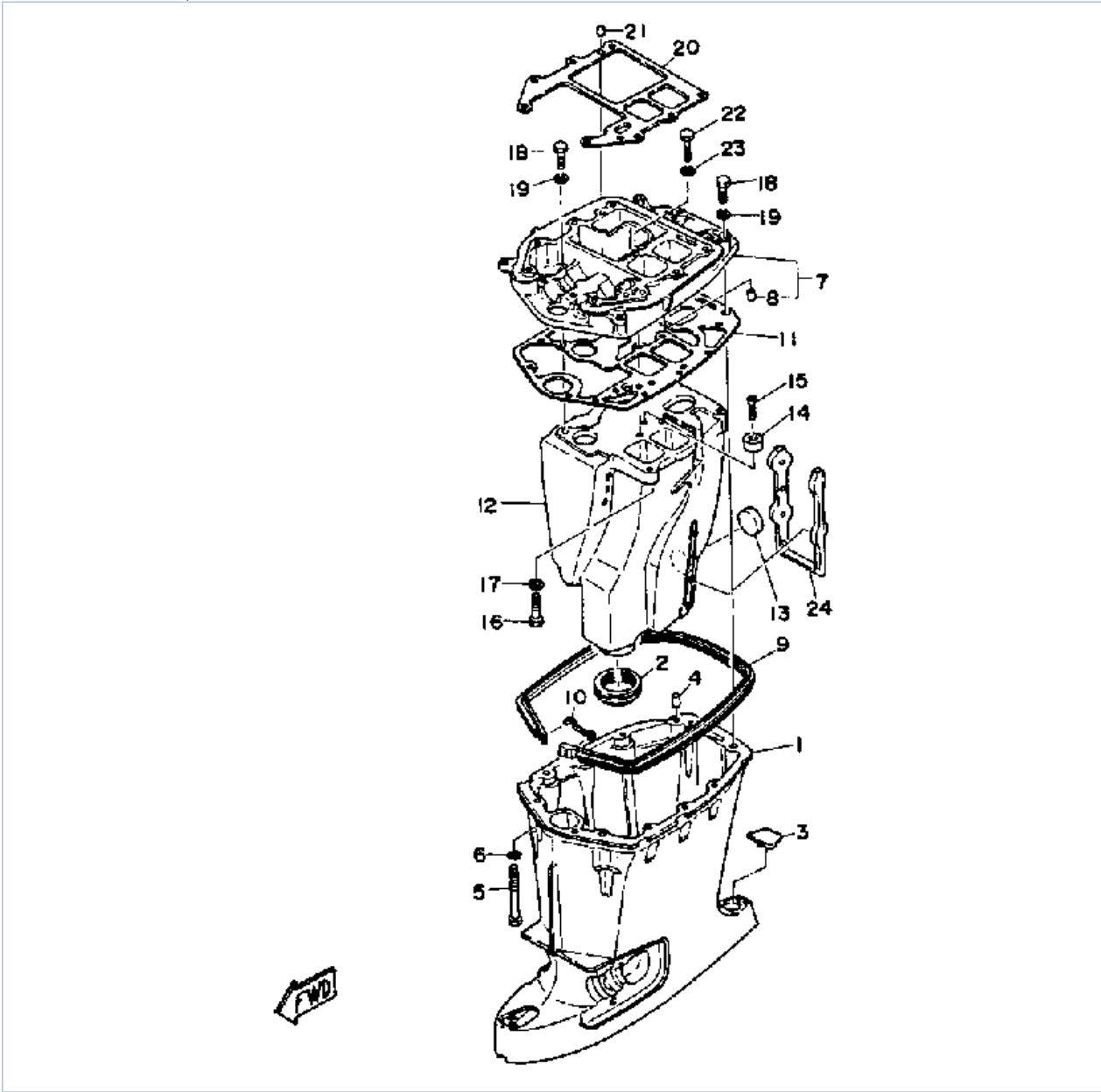
Part Notes

C55ELRP 1991 / CONTROL ENGINE

PART NUMBER		NOTE TEXT
92990-06600-00		OEM: This part number is among the Top 100 Most Popular Marine Maintenance Parts as of March 2014.
92990-06600-00		OEM: This part number is among the Top 100 Most Popular Marine Maintenance Parts as of March 2014.
92990-06600-00		OEM: This part number is among the Top 100 Most Popular Marine Maintenance Parts as of March 2014.
6H1-41237-00-00		OEM: This part number is among the Top 100 Most Popular Marine Maintenance Parts as of March 2014.
6H1-41237-00-00		OEM: This part number is among the Top 100 Most Popular Marine Maintenance Parts as of March 2014.
90468-18008-00		OEM: This part number is among the Top 100 Most Popular Marine Maintenance Parts as of March 2014.
92990-06600-00		OEM: This part number is among the Top 100 Most Popular Marine Maintenance Parts as of March 2014.
92990-06600-00		OEM: This part number is among the Top 100 Most Popular Marine Maintenance Parts as of March 2014.
92990-06600-00		OEM: This part number is among the Top 100 Most Popular Marine Maintenance Parts as of March 2014.
90468-18008-00		OEM: This part number is among the Top 100 Most Popular Marine Maintenance Parts as of March 2014.

©2014 Yamaha Motor Corporation, U.S.A. All rights reserved.

C55ELRP 1991 / UPPER CASING



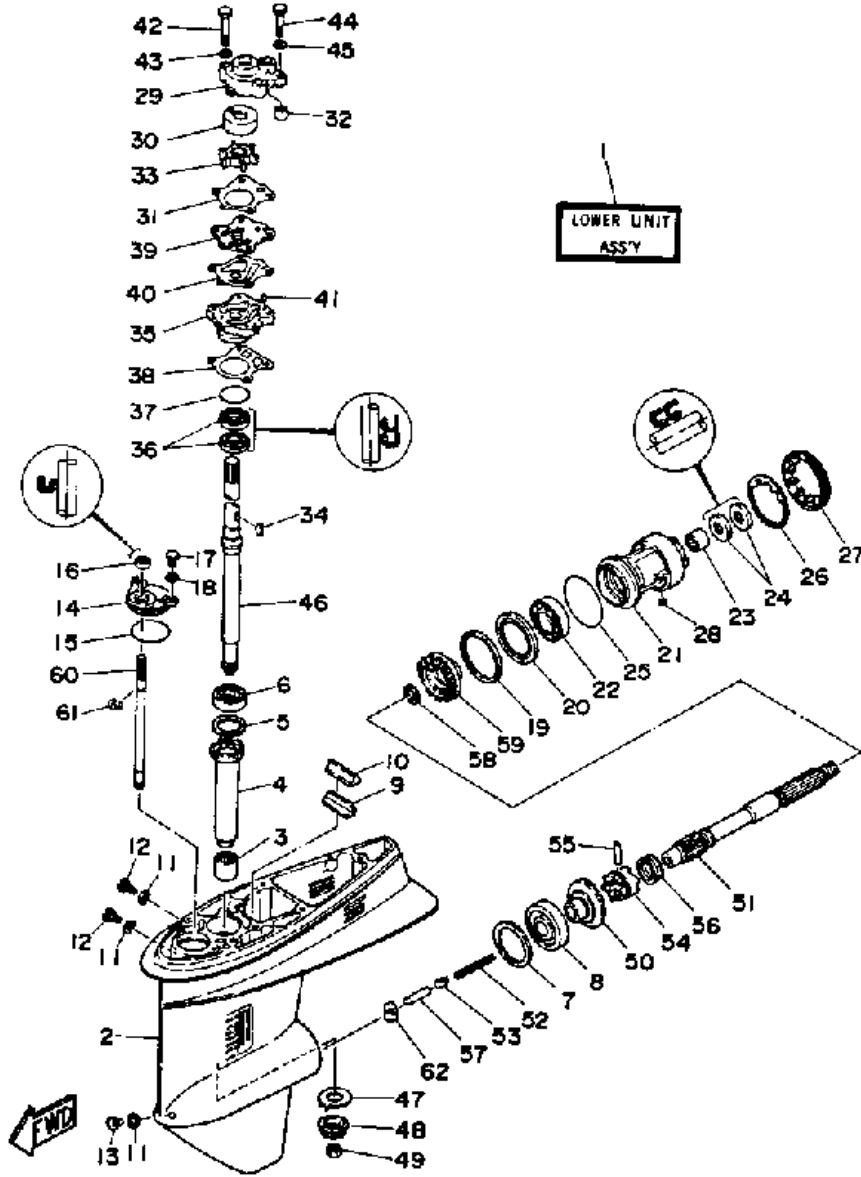
©2014 Yamaha Motor Corporation, U.S.A. All rights reserved.

Part List

C55ELRP 1991 / UPPER CASING

REF - NO	PART NUMBER	PART NAME	QUANTITY	REMARKS
1	691-45111-12-EJ	CASING, UPPER	1	
2	663-45123-00-00	GASKET, MUFFLER	1	
3	663-45155-10-00	CAP	1	
4	93606-12019-00	.PIN, DOWEL	2	
5	90119-08M82-00	BOLT, WITH WASHER	8	
6	92990-08100-00	WASHER, SPRING	8	
7	663-41137-03-5B	GUIDE, EXHAUST	1	
8	90386-02M04-00	.BUSH	1	
9	663-45127-00-00	SEAL	1	
10	663-45129-00-00	HOOK, DAMPER SEAL	1	
11	697-45114-00-00	GASKET, UPPER CASNG	1	
12	663-14711-12-5B	MUFFLER 1	1	
13	90334-30017-00	PLUG, STRAIGHT	1	
14	663-45251-00-00	ANODE	1	
15	92180-06025-00	SCREW, OVAL HEAD	1	
16	97090-08035-00	BOLT	1	
17	92990-08100-00	WASHER, SPRING	1	
18	97395-08030-00	BOLT	6	
19	92990-08100-00	WASHER, SPRING	6	
20	696-45113-A0-00	GASKET, UPPER CASING	1	
21	93606-12019-00	.PIN, DOWEL	1	
22	97395-08040-00	BOLT	1	
23	92990-08100-00	WASHER, SPRING	1	
24	663-14737-10-00	DAMPER, MUFFLER	1	

C55ELRP 1991 / LOWER DRIVE 1



©2014 Yamaha Motor Corporation, U.S.A. All rights reserved.

Part List




C55ELRP 1991 / LOWER DRIVE 1

REF - NO	PART NUMBER	PART NAME	QUANTITY	REMARKS
1	697-45300-11-EJ	LOWER UNIT ASSEMBLY	1	
2	697-45311-01-EJ	CASING, LOWER	1	
3	93315-32224-00	BEARING	1	
4	663-45536-00-00	SLEEVE, DRIVE SHAFT	1	
5	663-45587-01-30	SHIM (T:0.30MM)	1	UR
5	663-45587-01-18	SHIM (T:0.18MM)	1	UR
5	663-45587-01-15	SHIM (T:0.15MM)	1	UR
5	663-45587-01-12	SHIM (T:0.12MM)	1	UR
5	663-45587-01-10	SHIM (T:0.10MM)	1	UR
5	663-45587-01-40	SHIM (T:0.40MM)	1	UR
5	663-45587-01-50	SHIM (T:0.50MM)	1	UR
6	93332-00001-00	BEARING	1	
7	663-45567-01-12	SHIM (T:0.12MM)	1	UR
7	663-45567-01-15	SHIM (T:0.15MM)	1	UR
7	663-45567-01-10	SHIM (T:0.10MM)	1	UR
7	663-45567-01-18	SHIM (T:0.18MM)	1	UR
7	663-45567-01-30	SHIM (T:0.30MM)	1	UR
7	663-45567-01-40	SHIM (T:0.40MM)	1	UR
7	663-45567-01-50	SHIM (T:0.50MM)	1	UR
8	93332-00003-00	BEARING	1	
9	663-45376-00-94	GUIDE, SEAL DAMPER	1	
10	663-45375-00-00	DAMPER, SEAL	1	
11	90430-08020-00	.GASKET	3	
12	90340-08M04-00	PLUG, STRAIGHT SCREW	2	
13	688-45341-00-00	PLUG, DRAIN	1	
14	663-45321-00-00	PLATE	1	
15	93210-49046-00	.O-RING	1	
16	93106-09014-00	.OIL SEAL	1	
17	97395-06016-00	BOLT, HEX	2	
18	92990-06600-00	WASHER, PLATE	2	
19	663-45577-01-30	SHIM (T:0.30MM)	1	UR
19	663-45577-01-18	SHIM (T:0.18MM)	1	UR
19	663-45577-01-15	SHIM (T:0.15MM)	1	UR
19	663-45577-01-12	SHIM (T:0.12MM)	1	UR
19	663-45577-01-10	SHIM (T:0.10MM)	1	UR
19	663-45577-01-40	SHIM (T:0.40MM)	1	UR
19	663-45577-01-50	SHIM (T:0.50MM)	1	UR
20	663-45576-00-00	WASHER, THRUST	1	
21	663-45331-00-94	HOUSING, BEARING	1	
22	93306-00702-00	BEARING	1	
23	93317-22204-00	BEARING	1	
24	93101-22067-00	.OIL SEAL	2	
25	93210-66M98-00	O-RING	1	
26	90214-38M03-00	UNAVAILABLE IN PRICE BOOK	1	
27	697-45384-00-00	NUT	1	
28	90282-04010-00	KEY, STRAIGHT	1	
29	663-44311-02-00	HOUSING, WATER PUMP	1	
30	663-44322-00-00	.INSERT, CARTRIDGE	1	
31	663-44315-00-00	GASKET, WATER PUMP	1	
32	663-44366-00-00	.DAMPER, WATER SEAL 2	1	
33	697-44352-00-00	IMPELLER	1	
34	90280-03M03-00	.KEY, WOODRUFF	1	
35	663-44341-00-94	HOUSING, WATER PUMP	1	

36	93101-23070-00	.OIL SEAL	2	
37	93210-41042-00	O-RING	1	
38	663-44316-00-00	GASKET, WATER PUMP	1	
39	663-44323-00-00	OUTER PLATE, CARTIDGE	1	
40	663-44324-00-00	OIL SEAL	1	
41	93604-08062-00	PIN, DOWEL	2	
42	97395-08055-00	BOLT	2	
43	92990-08600-00	..WASHER, PLATE	2	
44	97395-08045-00	BOLT	2	
45	92990-08600-00	..WASHER, PLATE	2	
46	663-45510-11-00	DRIVE SHAFT ASSEMBLY	1	
47	663-45552-00-00	BEARING, PLAIN	1	
48	697-45551-00-00	PINION	1	
49	90170-12138-00	NUT	1	
50	697-45560-00-00	GEAR	1	
51	697-45611-00-00	SHAFT, PROPELLER	1	
52	90501-16233-00	SPRING, COMPRESSION	1	
53	663-45634-00-00	SLIDE, SHIFT	1	
54	663-45631-01-00	CLUTCH, DOG	1	
55	90250-06023-00	PIN, STRAIGHT	1	
56	663-45633-00-00	RING, CROSS PIN	1	
57	688-45635-00-00	PLUNGER, SHIFT	1	
58	90201-22429-00	WASHER, PLATE	1	
59	697-45571-00-00	GEAR	1	
60	663-44144-01-00	ROD, SHIFT	1	
61	99001-08600-00	CIRCLIP	1	
62	663-44151-00-00	CAM, SHIFT	1	

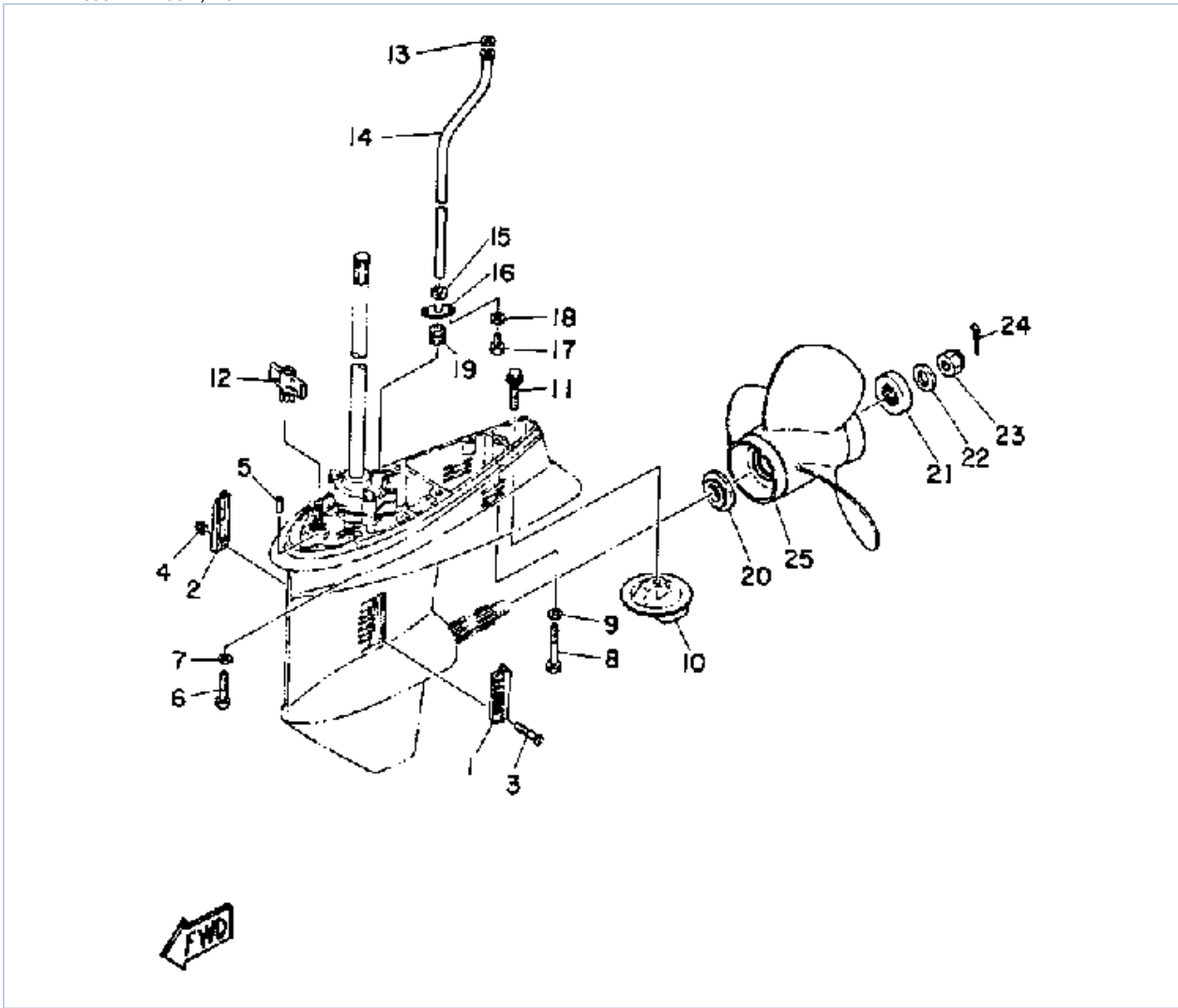
Part Notes

C55ELRP 1991 / LOWER DRIVE 1

PART NUMBER		NOTE TEXT
90430-08020-00		OEM: This part number is among the Top 100 Most Popular Marine Maintenance Parts as of March 2014.
93106-09014-00		OEM: This part number is among the Top 100 Most Popular Marine Maintenance Parts as of March 2014.
92990-06600-00		OEM: This part number is among the Top 100 Most Popular Marine Maintenance Parts as of March 2014.

©2014 Yamaha Motor Corporation, U.S.A. All rights reserved.

C55ELRP 1991 / LOWER DRIVE 2



©2014 Yamaha Motor Corporation, U.S.A. All rights reserved.


Part List

C55ELRP 1991 / LOWER DRIVE 2

REF - NO	PART NUMBER	PART NAME	QUANTITY	REMARKS
1	688-45214-02-00	COVER, WATER INLET 1	1	
2	688-45215-02-00	COVER, WATER INLET 2	1	
3	98680-05540-00	SCREW, OVAL HEAD	1	
4	90185-05002-00	NUT, NYLON	1	
5	93606-12019-00	.PIN, DOWEL	2	
6	97395-10040-00	BOLT	4	
7	92990-10100-00	WASHER, SPRING	4	
8	97395-08060-00	BOLT, HEXAGON	1	
9	92990-08100-00	WASHER, SPRING	1	
10	679-45371-00-00	TAB-TRIM	1	
11	90105-10M00-00	BOLT, FLANGE	1	
12	697-43662-00-00	GUIDE, REVERSE ROD	1	
13	90202-12060-00	WASHER, PLATE	1	
14	663-44361-10-00	TUBE, WATER	1	
15	90430-12072-00	GASKET	1	
16	663-44373-00-00	SET PLATE, WATER TUBE	1	
17	97395-06012-00	BOLT	2	
18	92995-06100-00	WASHER, SPRING	2	
19	663-44367-00-00	DAMPER, WATER SEAL 3	1	
20	663-45987-02-00	SPACER 1	1	
21	670-45997-02-00	SPACER	1	
22	92990-16200-00	WASHER, PLAIN	1	
23	90171-16011-00	NUT, CASTLE	1	
24	91490-40030-00	PIN. COTTER	1	
25	663-45972-60-98	PROPELLER (3X12"X11"-G)	1	UR
25	663-45974-60-98	PROPELLER (3X11-1/2"X13"-G)	1	UR
25	663-45976-00-98	PROPELLER (3X10-1/4"X15"-G)	1	UR
25	663-45978-00-98	PROPELLER (3X10-1/4"X16"-G)	1	UR
25	663-45930-00-98	PROPELLER (3X10-1/4"X14"-G)	1	UR
25	663-45958-01-EL	PROPELLER (3X11-1/4"X14"-G)	1	UR
25	663-45970-60-98	PROPELLER (3X11-3/4"X12"-G)	1	UR
25	663-45956-01-EL	PROPELLER (3X12-1/4"X9"-G)	1	UR
25	6H5-45952-00-EL	PROPELLER (3X10-3/8X13"-G)	1	UR
25	663-45949-01-EL	PROPELLER (3X10-3/4"X16"-G)	1	UR
25	663-45947-02-EL	PROPELLER (3X11-5/8"X11"-G)	1	UR
25	6H5-45945-00-EL	PROPELLER (3X10-5/8X12"-G)	1	UR
25	663-45941-01-EL	PROPELLER (3X10-3/4"X17"-G)	1	UR
25	6H5-45943-00-EL	PROPELLER (3X10"X15"-G)	1	UR

Part Notes

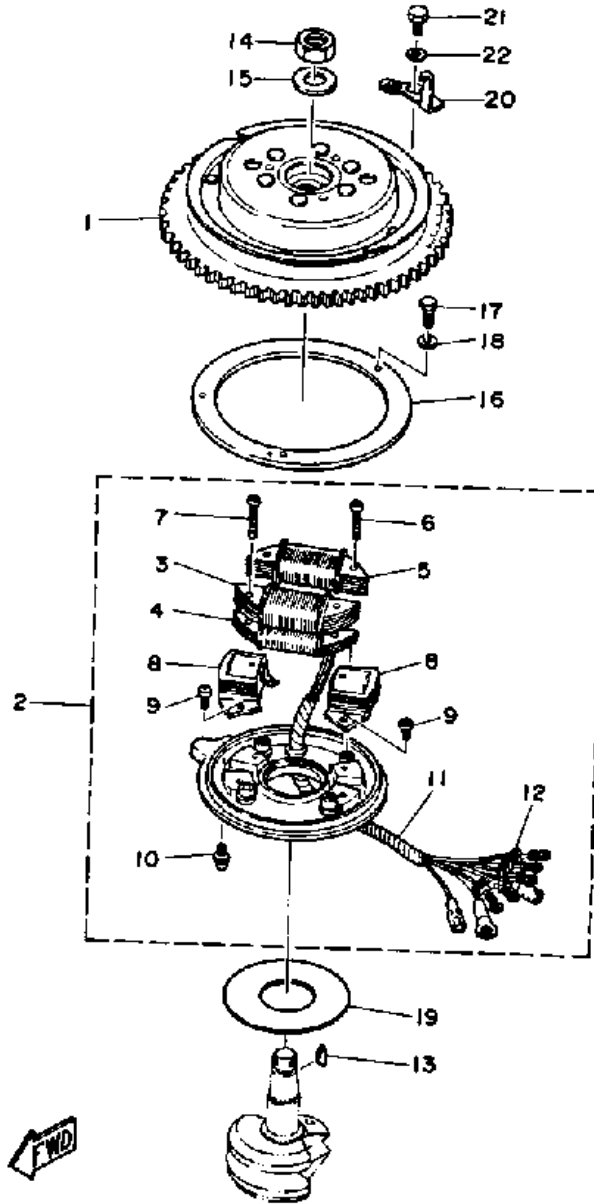
C55ELRP 1991 / LOWER DRIVE 2

PART NUMBER	NOTE TEXT
90105-10M00-00 	OEM: This part number is among the Top 100 Most Popular Marine Maintenance Parts as of March 2014.
91490-40030-00	OEM: This part number is among the Top 100 Most Popular Marine Maintenance Parts as of March 2014.



©2014 Yamaha Motor Corporation, U.S.A. All rights reserved.

C55ELRP 1991 / MAGNETO



©2014 Yamaha Motor Corporation, U.S.A. All rights reserved.



Part List

C55ELRP 1991 / MAGNETO

REF - NO	PART NUMBER	PART NAME	QUANTITY	REMARKS
1	697-85550-A0-00	ROTOR ASSEMBLY	1	
2	697-85560-A1-00	BASE ASSEMBLY	1	
3	663-85541-A0-00	.COIL, CHARGE	1	
4	663-85565-A0-00	.COIL, TRIGGER	1	
5	663-81313-A0-00	.COIL, LIGHTING 1	1	
6	98501-05030-00	.SCREW, PAN HEAD	2	
7	98501-05035-00	.SCREW, PAN HEAD	2	
8	663-85580-10-00	.COIL, PULSER	2	
9	98580-04010-00	.SCREW, PAN HEAD	4	
10	663-85518-00-00	.JOINT, BALL	1	
11	697-85515-10-00	.LEAD WIRE ASSEMBLY	1	
12	90480-06158-00	.GROMMET	5	
13	90280-05049-00	KEY, WOODRUFF	1	
14	90170-20137-00	NUT	1	
15	90201-21M18-00	WASHER, PLATE	1	
16	663-41612-00-00	RETAINER, MAGNETO BASE	1	
17	97313-06020-00	BOLT, HEXAGON	3	
18	92990-06600-00	WASHER, PLATE	3	
19	663-41619-00-00	WASHER, MAGNETO	1	
20	697-81332-00-00	PLATE, TIMING	1	
21	97313-06016-00	BOLT, HEXAGON	1	
22	92990-06600-00	WASHER, PLATE	1	

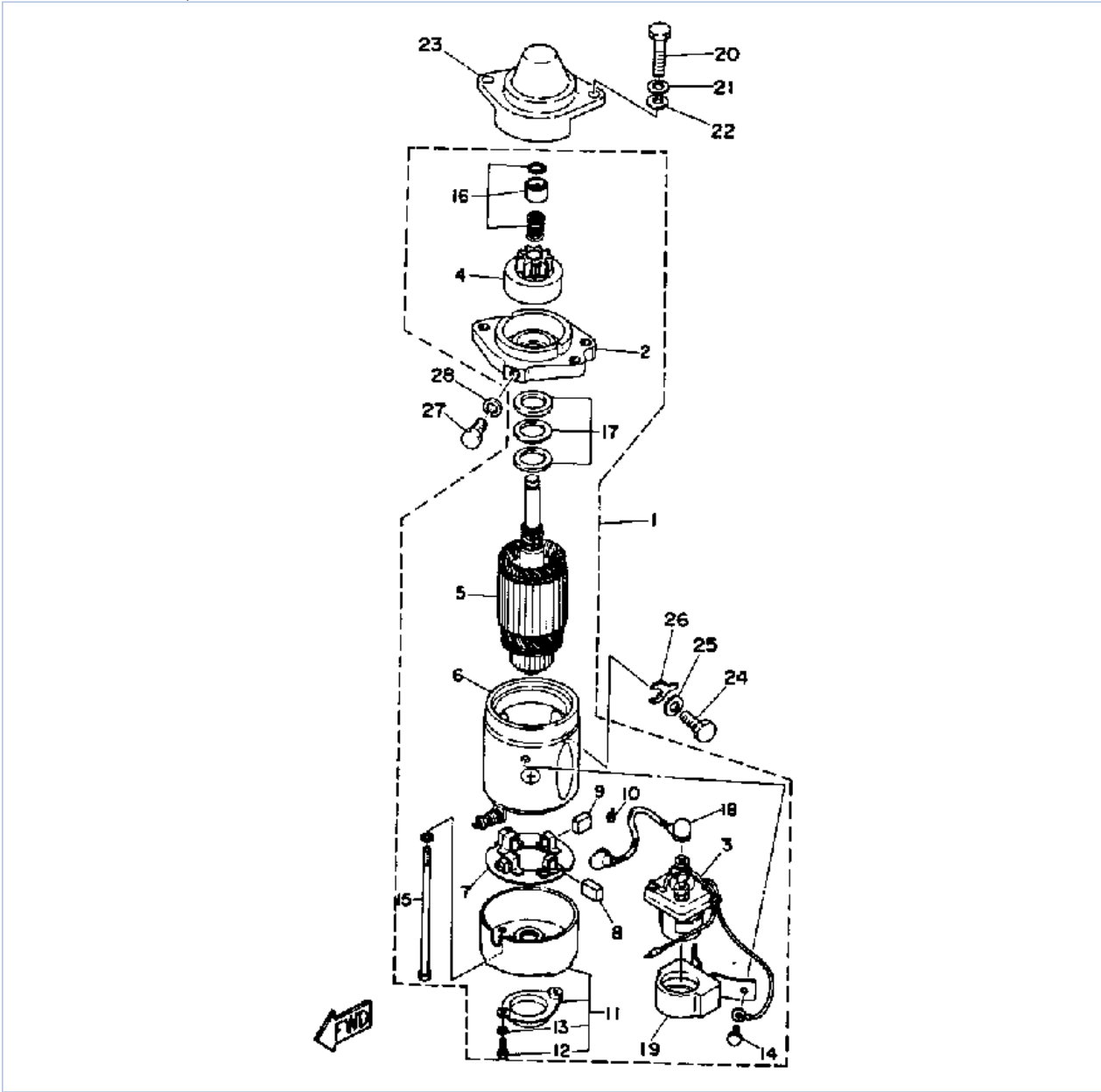
Part Notes

C55ELRP 1991 / MAGNETO

PART NUMBER		NOTE TEXT
92990-06600-00		OEM: This part number is among the Top 100 Most Popular Marine Maintenance Parts as of March 2014.
92990-06600-00		OEM: This part number is among the Top 100 Most Popular Marine Maintenance Parts as of March 2014.

©2014 Yamaha Motor Corporation, U.S.A. All rights reserved.

C55ELRP 1991 / STARTING MOTOR



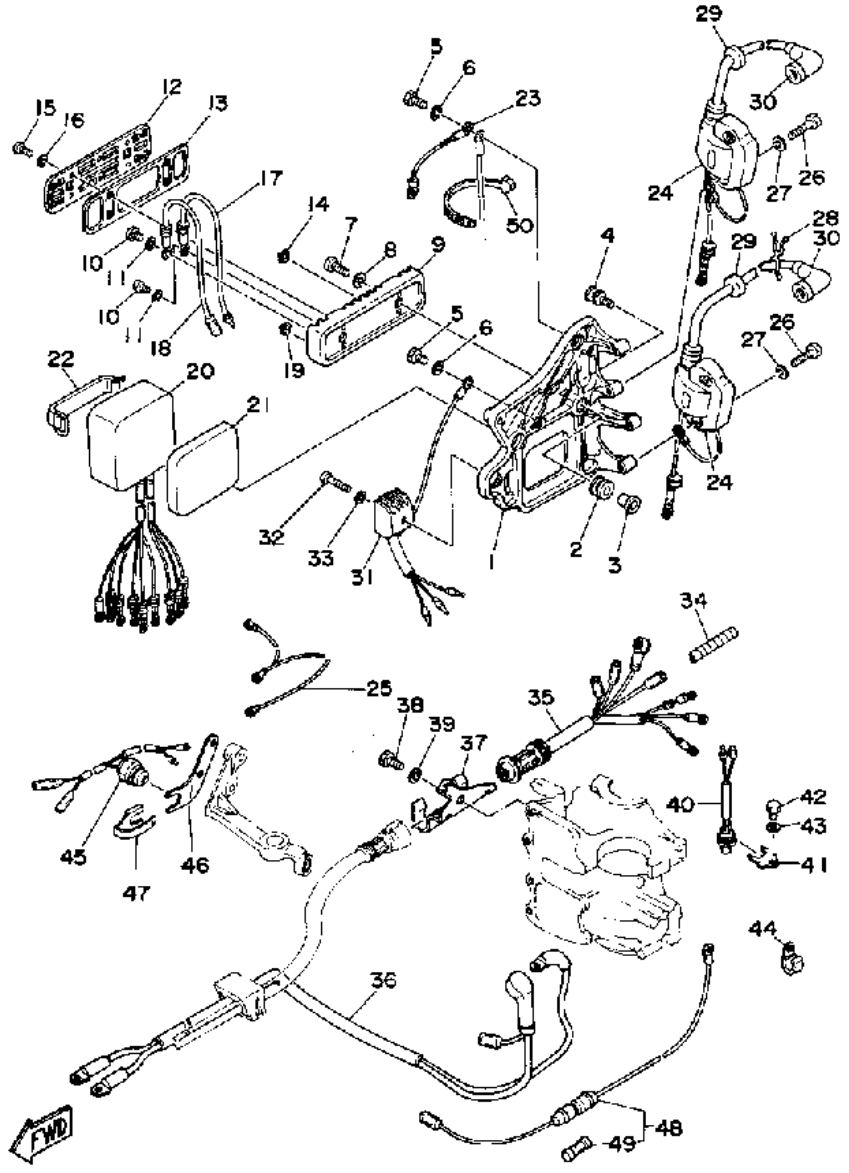
©2014 Yamaha Motor Corporation, U.S.A. All rights reserved.

Part List

C55ELRP 1991 / STARTING MOTOR

REF - NO	PART NUMBER	PART NAME	QUANTITY	REMARKS
1	697-81800-12-00	STARTING MOTOR ASSEMBLY	1	
2	676-81830-10-00	.FRONT BRACKET ASSEMBLY	1	
3	682-81941-11-00	.STARTER RELAY ASSEMBLY	1	
4	663-81832-11-00	.PINION ASSY	1	
5	676-81850-A9-00	.ARMATURE ASSEMBLY	1	
6	663-81810-11-00	.STATOR ASSEMBLY	1	
7	663-81840-11-00	.BRUSH HOLDER ASSY	1	
8	663-81811-11-00	.BRUSH 1	2	
9	663-81812-11-00	.BRUSH 2	2	
10	663-81813-10-00	.SPRING, BRUSH	4	
11	663-81820-11-00	.REAR BRACKET ASSEMBLY	1	
12	6K8-14125-00-00	..SCREW, PAN HEAD (98580- 04012)	2	
13	92901-04100-00	..WASHER, SPRING	2	
14	97313-06010-00	.BOLT, HEXAGON	2	
15	663-81826-10-00	.BOLT	2	
16	697-81857-11-00	.PINION STOPPER SET	1	
17	697-81809-10-00	.WASHER KIT	1	
18	697-81815-10-00	.CORD, STARTER MOTOR	1	
19	697-81952-10-00	.HOLDER, RELAY	1	
20	97313-08040-00	BOLT, HEXAGON	2	
21	92990-08100-00	WASHER, SPRING	2	
22	92990-08600-00	..WASHER, PLATE	2	
23	663-81842-00-94	COVER	1	
24	97013-08025-00	BOLT	1	
25	92990-08100-00	WASHER, SPRING	1	
26	663-81162-00-00	WASHER, PLAIN	1	
27	97313-08016-00	BOLT, HEXAGON	1	
28	92990-08100-00	WASHER, SPRING	1	

C55ELRP 1991 / ELECTRIC PARTS



©2014 Yamaha Motor Corporation, U.S.A. All rights reserved.



Part List

C55ELRP 1991 / ELECTRIC PARTS

REF - NO	PART NUMBER	PART NAME	QUANTITY	REMARKS
1	663-85542-00-94	BRACKET	1	
2	6A0-82317-00-00	DAMPER, IGNITION COIL	3	
3	624-42542-00-00	PIPE	3	
4	90119-06M27-00	BOLT, W/WASHER	3	
5	97395-06012-00	BOLT	2	
6	92995-06100-00	WASHER, SPRING	2	
7	98580-06018-00	SCREW, PAN HEAD	2	
8	92990-06600-00	WASHER, PLATE	2	
9	663-81925-00-00	TERMINAL	1	
10	90157-04011-00	SCREW, PAN HEAD	10	
11	92990-04200-00	WASHER	10	
12	697-81916-00-00	COVER, TERMINAL	1	
13	663-81921-00-00	GASKET, TERMINAL	1	
14	90480-06066-00	GROMMET	1	
15	98580-04020-00	SCREW, PAN HEAD	4	
16	92901-04100-00	WASHER, SPRING	4	
17	663-81315-00-00	LEAD WIRE ASSEMBLY	1	
18	663-81316-00-00	WIRE, LEAD 2	1	
19	663-81922-00-00	GROMMET	1	
20	663-85540-15-00	C.D.I. UNIT ASSEMBLY	1	
21	663-85547-01-00	DAMPER	1	
22	663-82131-01-00	BAND, BATTERY	1	
23	662-82519-00-00	WIRE, EARTH LEAD	1	
24	697-85570-10-00	IGNITION COIL ASSEMBLY	2	
25	697-82519-00-00	WIRE, EARTH LEAD	1	
26	97313-06030-00	BOLT	4	
27	92990-06600-00	WASHER, PLATE	4	
28	90464-08M02-00	CLAMP	1	
29	90480-25161-00	GROMMET	2	
30	663-82370-01-00	PLUG CAP ASSY	2	
31	664-81970-61-00	RECTIFIER ASSEMBLY	1	
32	98580-05530-00	SCREW, PAN HEAD	1	
33	92990-05100-00	.WASHER, SPRING	1	
34	90446-10M02-00	HOSE	1	
35	697-82590-11-00	WIRE HARNESS ASSEMBLY	1	
36	697-82105-12-00	BATTERY CABLE	1	
37	697-82594-00-00	CLAMP	1	
38	97313-08016-00	BOLT, HEXAGON	1	
39	92990-08600-00	..WASHER, PLATE	1	
40	688-82560-00-00	THERMO SWITCH ASSY	1	
41	663-82588-00-00	PLATE	1	
42	97313-06010-00	BOLT, HEXAGON	1	
43	92995-06100-00	WASHER, SPRING	1	
44	90465-08028-00	CLAMP	1	
45	697-82540-01-00	NEUTRAL SWITCH ASSEMBLY	1	
46	663-82554-01-00	STAY, NEUTRAL SWITCH	1	
47	663-82555-01-00	DAMPER, MAIN SWITCH 1	1	
48	682-82150-10-00	FUSE HOLDER ASSEMBLY	1	
49	682-82151-00-00	.FUSE (12V-20A)	1	
50	90465-13M39-00	CLAMP	1	

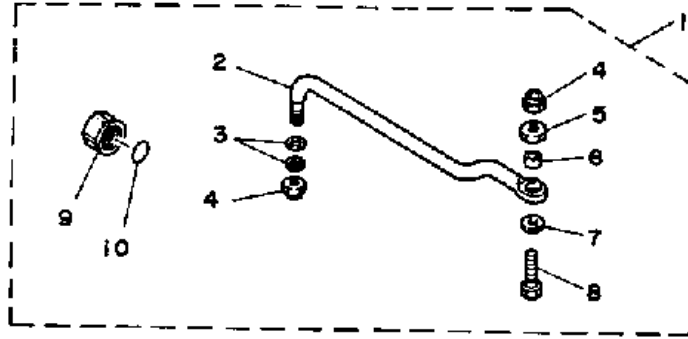
Part Notes

C55ELRP 1991 / ELECTRIC PARTS

PART NUMBER		NOTE TEXT
92990-06600-00		OEM: This part number is among the Top 100 Most Popular Marine Maintenance Parts as of March 2014.
92990-06600-00		OEM: This part number is among the Top 100 Most Popular Marine Maintenance Parts as of March 2014.

©2014 Yamaha Motor Corporation, U.S.A. All rights reserved.

C55ELRP 1991 / STEERING GUIDE ATTACHMENT



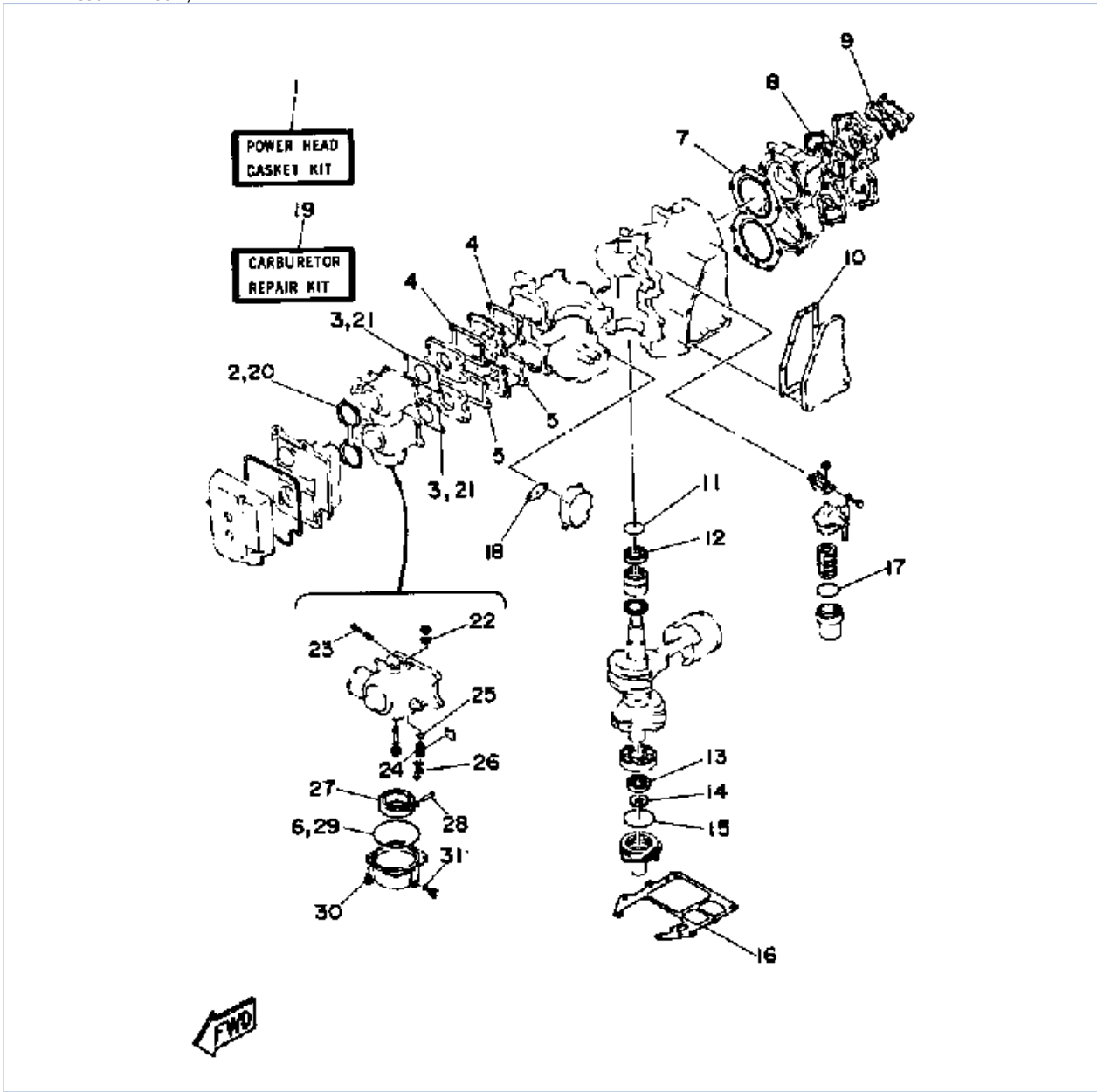
©2014 Yamaha Motor Corporation, U.S.A. All rights reserved.

Part List

C55ELRP 1991 / STEERING GUIDE ATTACHMENT

REF - NO	PART NUMBER	PART NAME	QUANTITY	REMARKS
1	697-61350-00-00	STEERING GUIDE ATTACHMENT KIT	1	
2	697-61351-00-00	.ROD, STEERING LINK	1	
3	90201-10M20-00	.WASHER, PLATE	2	
4	90185-09M01-00	.NUT, SELF-LOCKING	2	
5	90170-09M03-00	.NUT	1	
6	90387-10M42-00	.COLLAR	1	
7	90201-10M63-00	.WASHER, PLATE	1	
8	6E5-61355-00-00	.BOLT	1	
9	6E5-43145-00-00	.CAP, CLAMP BRACKET	1	
10	93210-16716-00	.O-RING	1	

C55ELRP 1991 / REPAIR KIT 1



©2014 Yamaha Motor Corporation, U.S.A. All rights reserved.


Part List

C55ELRP 1991 / REPAIR KIT 1

REF - NO	PART NUMBER	PART NAME	QUANTITY	REMARKS
1	697-W0001-00-00	GASKET KIT	1	
2	663-14483-00-00	.GASKET	1	
3	663-14198-00-00	.GASKET	2	
4	663-13621-A0-00	.GASKET, VALVE SEAT	2	
5	663-13622-A0-00	.GASKET, VALVE SEAT	2	
6	93210-64272-00	.O-RING	2	
7	697-11181-A0-00	.GASKET, CYLINDER HEAD 1	1	
8	663-11193-00-00	.GASKET, HDCOVER 1	1	
9	663-12414-00-00	.GASKET, COVER	1	
10	663-41114-A0-00	.GASKET, EXHAUST OUTER COVER	1	
11	93210-42159-00	.O-RING	1	
12	93102-32M07-00	.OIL SEAL	1	
13	93102-28135-00	.OIL SEAL	1	
14	93104-18049-00	.OIL SEAL	1	
15	93210-62269-00	.O-RING	1	
16	696-45113-A0-00	.GASKET, UPPER CASING	1	
17	93210-37M25-00	.O-RING	1	
18	650-24431-A0-00	.GASKET, FUEL PUMP 1	1	
19	696-W0093-02-00	CARBURETOR REPAIR KIT	1	
20	663-14483-00-00	.GASKET	1	
21	663-14198-00-00	.GASKET	2	
22	679-14557-00-00	.WASHER	2	
23	663-14923-00-00	.SCREW, PILOT	2	
24	696-14590-00-00	.NEEDLE VALVE ASSY	2	
25	93210-07229-00	.O-RING	2	
26	676-14186-00-00	.PIN, FLOAT	2	
27	6F0-14985-00-00	.FLOAT	2	
28	663-14548-00-00	.PIN, FLOAT ARM	2	
29	93210-64272-00	.O-RING	2	
30	90159-04007-00	.SCREW	2	
31	93210-04230-00	.O-RING	2	

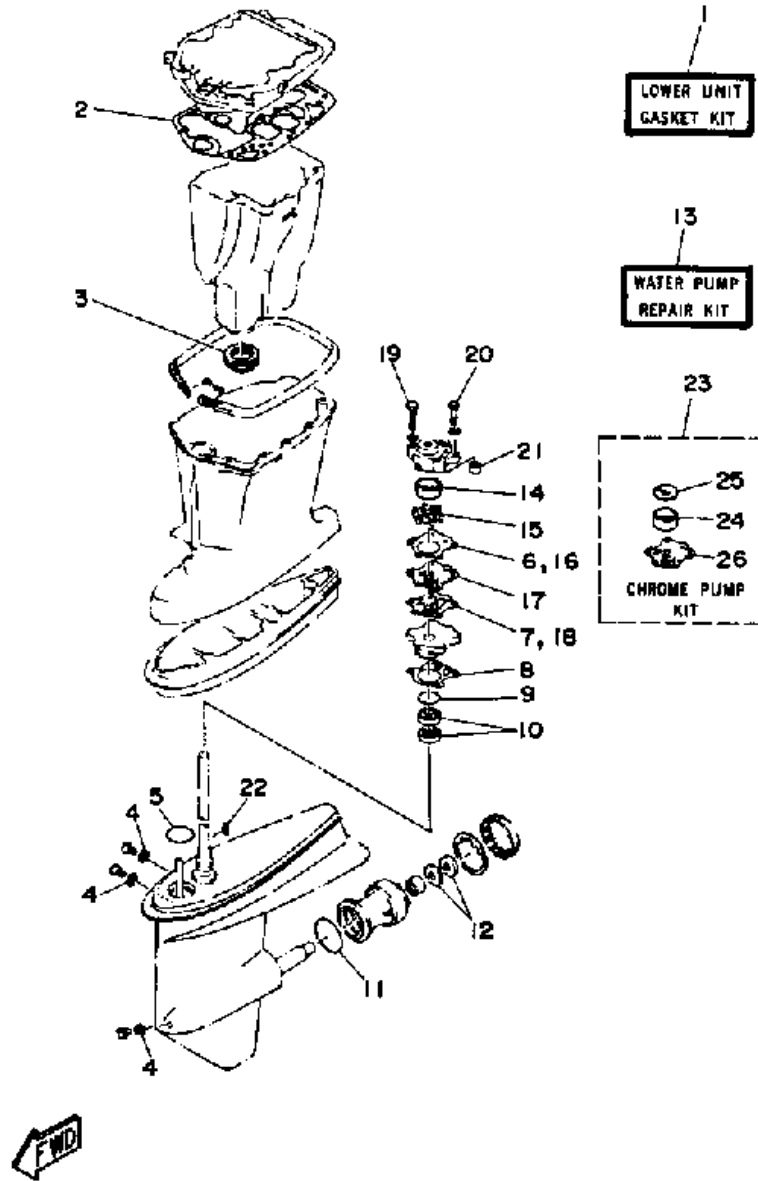
Part Notes

C55ELRP 1991 / REPAIR KIT 1

PART NUMBER	NOTE TEXT
650-24431-A0-00 	OEM: This part number is among the Top 100 Most Popular Marine Maintenance Parts as of March 2014.

©2014 Yamaha Motor Corporation, U.S.A. All rights reserved.

C55ELRP 1991 / REPAIR KIT 2



©2014 Yamaha Motor Corporation, U.S.A. All rights reserved.


Part List

C55ELRP 1991 / REPAIR KIT 2

REF - NO	PART NUMBER	PART NAME	QUANTITY	REMARKS
1	698-W0001-20-00	GASKET KIT	1	
2	697-45114-00-00	.GASKET, UPPER CASNG	1	
3	663-45123-00-00	.GASKET, MUFFLER	1	
4	90430-08020-00	.GASKET	2	
5	93210-49046-00	.O-RING	1	
6	663-44315-00-00	.GASKET, WATER PUMP	1	
7	663-44324-00-00	.OIL SEAL	1	
8	663-44316-00-00	.GASKET, WATER PUMP	1	
9	93210-41042-00	.O-RING	1	
10	93101-23070-00	.OIL SEAL	2	
11	93210-66M98-00	.O-RING	1	
12	93101-22067-00	.OIL SEAL	2	
13	663-W0078-00-00	WATER PUMP REP.KIT	1	
14	663-44322-00-00	.INSERT, CARTRIDGE	1	
15	697-44352-00-00	.IMPELLER	1	
16	663-44315-00-00	.GASKET, WATER PUMP	1	
17	663-44323-00-00	.OUTER PLATE, CARTIDGE	1	
18	663-44324-00-00	.OIL SEAL	1	
19	97395-08055-00	.BOLT	2	
20	97395-08045-00	.BOLT	2	
21	663-44366-00-00	.DAMPER, WATER SEAL 2	1	
22	90280-03M03-00	.KEY, WOODRUFF	1	
23	6H4-W0078-0A-00	CHROME PUMP KIT	1	
24	670-44322-01-00	.INSERT, CARTRIDGE	1	
25	670-44321-00-00	.INNER PLATE, CARTRIDGE	1	
26	670-44323-00-00	.OUTER PLATE, CARTRIDGE	1	

Part Notes

C55ELRP 1991 / REPAIR KIT 2

PART NUMBER	NOTE TEXT
90430-08020-00 	OEM: This part number is among the Top 100 Most Popular Marine Maintenance Parts as of March 2014.

©2014 Yamaha Motor Corporation, U.S.A. All rights reserved.

©2014 Yamaha Motor Corporation, U.S.A. All rights reserved.