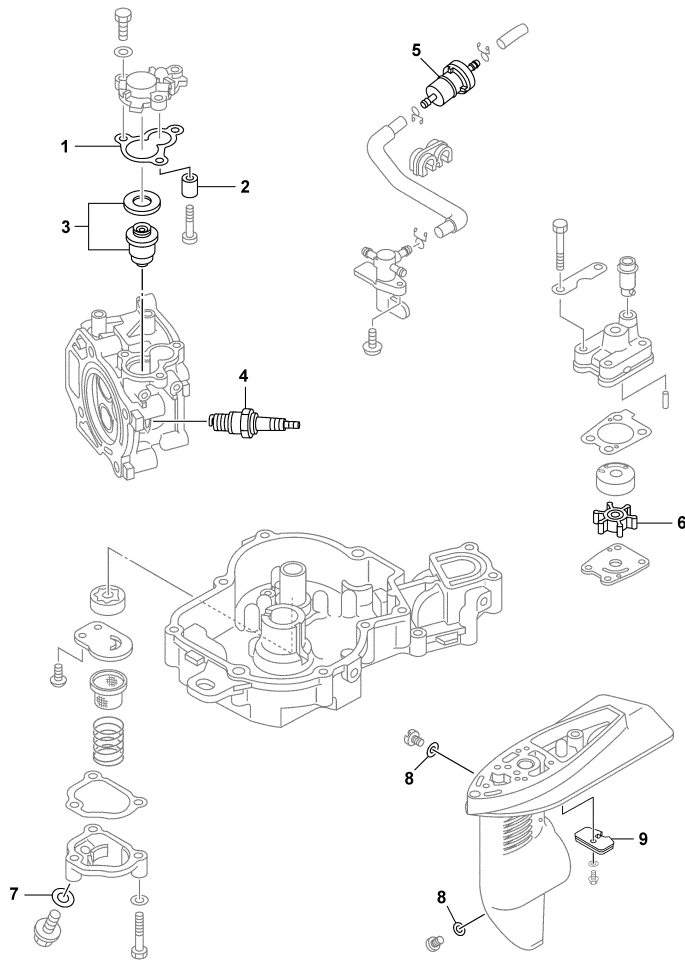


F4SMHA 0710 / SCHEDULED SERVICE PARTS



©2014 Yamaha Motor Corporation, U.S.A. All rights reserved.



Part List

F4SMHA 0710 / SCHEDULED SERVICE PARTS

REF - NO	PART NUMBER	PART NAME	QUANTITY	REMARKS
1	68D-E2414-A0-00	.GASKET, COVER	1	CYLINDER CRANKCASE 1 (REF # 17)
2	68D-E1325-00-00	ANODE	1	CYLINDER CRANKCASE 1 (REF # 15)
3	66M-12411-01-00	THERMOSTAT	1	CYLINDER CRANKCASE 1 (REF # 11)
4	CR6-HSB00-00-00	PLUG, SPARK (NGK CR6HSB)	1	CYLINDER CRANKCASE 1 (REF # 26)
5	68T-24251-01-00	STRAINER 1	1	FUEL 2 (REF # 13)
6	6E0-44352-00-00	IMPELLER	1	LOWER CASING DRIVE 1 (REF # 24)
7	90201-08818-00	WASHER, PLATE	1	CYLINDER CRANKCASE 2 (REF # 33)
8	90430-08020-00	.GASKET	3	LOWER CASING DRIVE 1 (REF # 7)
9	68D-G5251-00-00	ANODE	1	LOWER CASING DRIVE 2 (REF # 2)

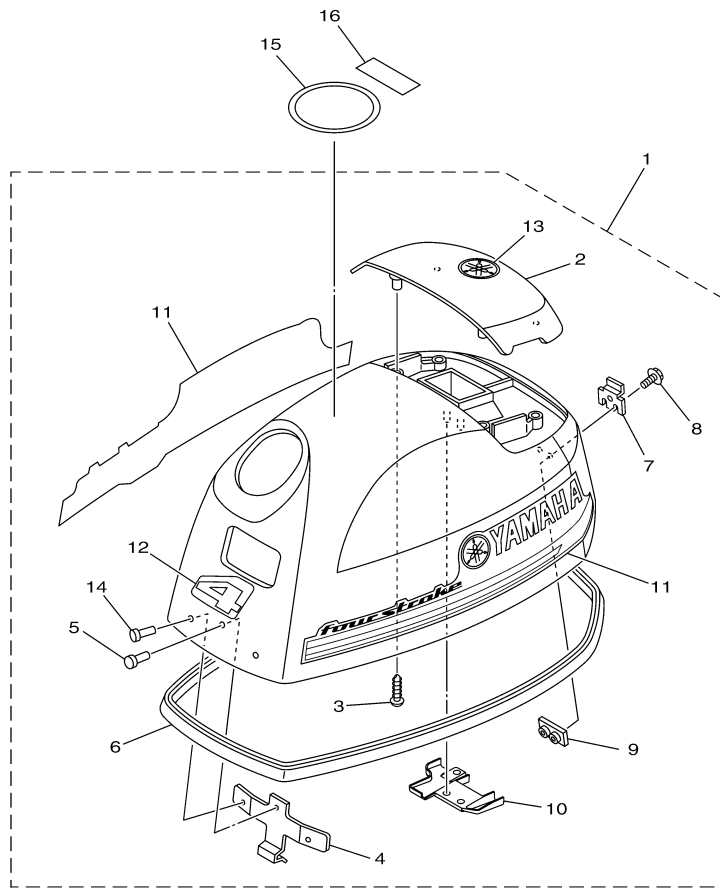
Part Notes

F4SMHA 0710 / SCHEDULED SERVICE PARTS

PART NUMBER		NOTE TEXT
66M-12411-01-00		OEM: This part number is among the Top 100 Most Popular Marine Maintenance Parts as of March 2014.
90430-08020-00		OEM: This part number is among the Top 100 Most Popular Marine Maintenance Parts as of March 2014.

©2014 Yamaha Motor Corporation, U.S.A. All rights reserved.

F4SMHA 0710 / TOP COWLING



6BV2110-K010

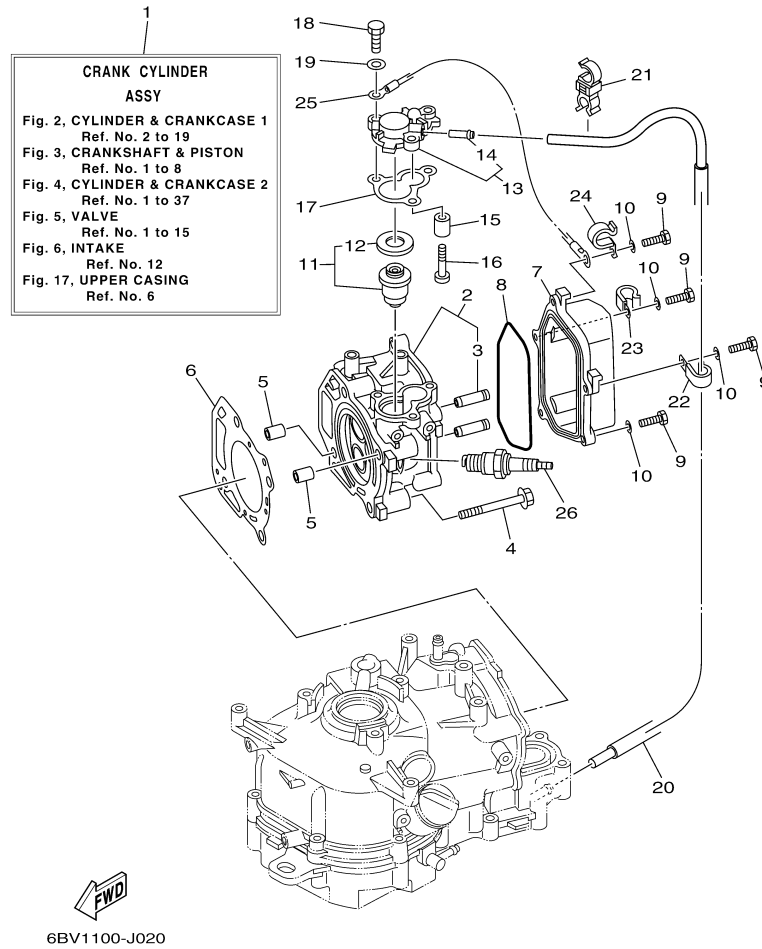
©2014 Yamaha Motor Corporation, U.S.A. All rights reserved.

Part List

F4SMHA 0710 / TOP COWLING

REF - NO	PART NUMBER	PART NAME	QUANTITY	REMARKS
1	6BV-G2610-10-00	TOP COWLING ASSY (GRAY)	1	
2	6BX-G2613-10-00	.MOLDING, AIR DUCT	1	
3	97780-40012-00	.SCREW, TAPPING	4	
4	6BX-G2651-00-00	.HOOK	1	
5	90266-04M04-00	.RIVET	1	
6	6BX-42615-00-00	.SEAL	1	
7	60R-42652-00-00	.HOOK	1	
8	97595-05514-00	.BOLT, WITH WASHER	2	
9	68T-42649-00-00	.HOLDER, CLAMP BAND	1	
10	6BX-G2134-00-00	.COVER	1	
11	6BX-W0070-10-00	.GRAPHIC SET	1	
12	6BV-42677-00-00	.GRAPHIC, FRONT	1	
13	6BX-42697-10-00	.TUNING FORK MARK	1	
14	90266-04M00-00	.RIVET	2	
15	60R-E3434-00-00	LABEL, CAUTION	1	
16	6S7-42698-40-00	LABEL, WARNING (FUEL)	1	

F4SMHA 0710 / CYLINDER CRANKCASE 1



©2014 Yamaha Motor Corporation, U.S.A. All rights reserved.


Part List

F4SMHA 0710 / CYLINDER CRANKCASE 1

REF - NO	PART NUMBER	PART NAME	QUANTITY	REMARKS
1	6BX-WE090-00-1S	CRANK CYLINDER ASSY	1	
2	6BX-E1111-00-1S	HEAD, CYLINDER 1	1	
3	67D-11133-10-00	.GUIDE, VALVE 1	2	
4	90105-08M36-00	BOLT, FLANGE	4	
5	99510-10114-00	PIN, DOWEL	2	
6	6BX-11181-00-00	.GASKET, CYLINDER HEAD 1	1	
7	6BX-E1191-00-5B	COVER, CYLINDER HEAD 1	1	
8	6BX-11356-00-00	.SEAL, CYLINDER 2	1	
9	97095-06020-00	BOLT	5	
10	92995-06600-00	WASHER	5	
11	66M-12411-01-00	THERMOSTAT	1	
12	688-12412-00-00	.SEAL, THERMOSTAT	1	
13	68D-E2413-00-1S	COVER, THERMOSTAT	1	
14	650-24378-00-00	.PIPE, JOINT 4	1	
15	68D-E1325-00-00	ANODE	1	
16	97880-05025-00	SCREW, PAN HEAD	1	
17	68D-E2414-A0-00	.GASKET, COVER	1	
18	97095-06020-00	BOLT	3	
19	92995-06600-00	WASHER	3	
20	6BX-F4323-00-00	PIPE 12	1	
21	90464-09021-00	.CLAMP	1	
22	90465-06M86-00	.CLAMP	1	
23	90465-06M86-00	.CLAMP	1	
24	90465-08371-00	CLAMP	1	
25	6G0-82519-00-00	WIRE, EARTH LEAD	1	
26	CR6-HSB00-00-00	PLUG, SPARK (NGK CR6HSB)	1	

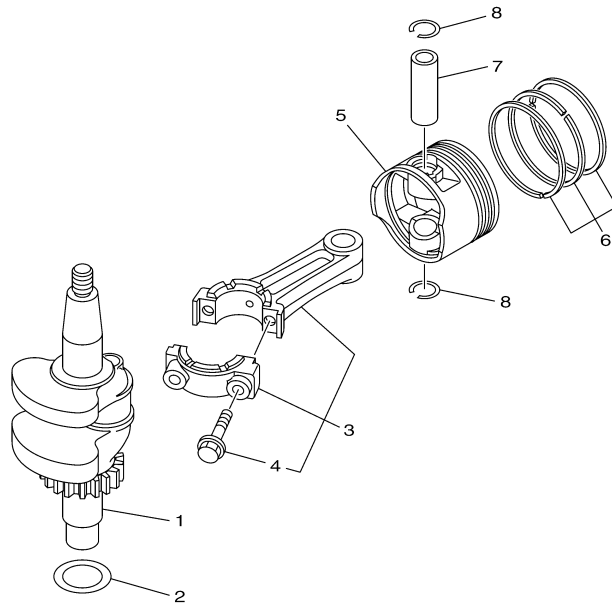
Part Notes

F4SMHA 0710 / CYLINDER CRANKCASE 1

PART NUMBER	NOTE TEXT
66M-12411-01-00 	OEM: This part number is among the Top 100 Most Popular Marine Maintenance Parts as of March 2014.

©2014 Yamaha Motor Corporation, U.S.A. All rights reserved.

F4SMHA 0710 / CRANKSHAFT PISTON



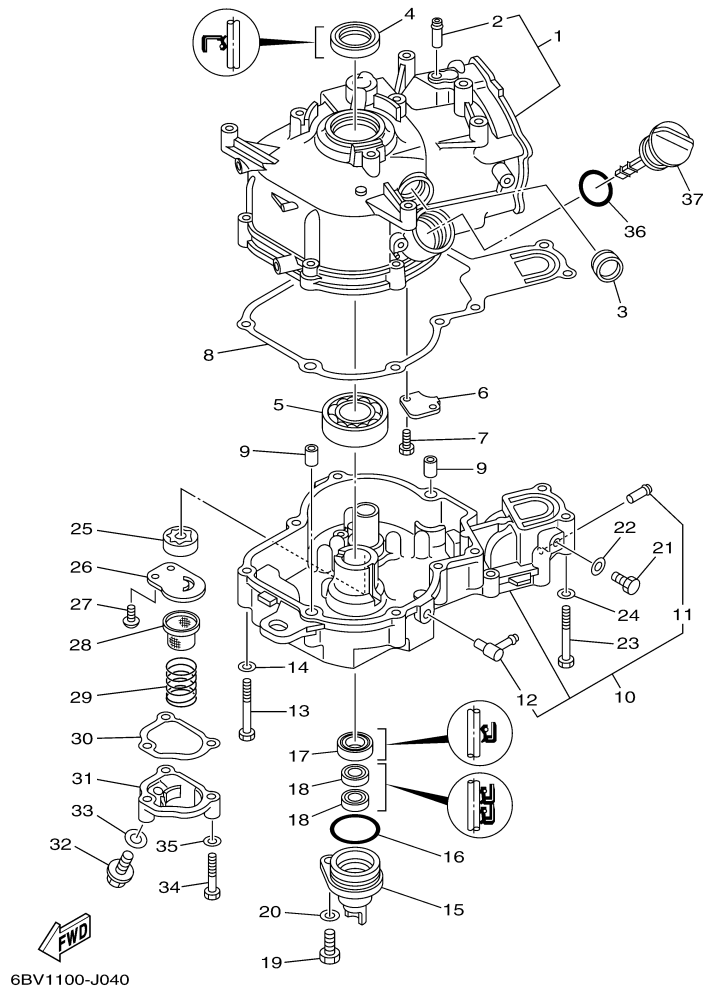
6BV1100-J030

Part List

F4SMHA 0710 / CRANKSHAFT PISTON

REF - NO	PART NUMBER	PART NAME	QUANTITY	REMARKS
1	6BX-E1410-00-00	CRANKSHAFT	1	
2	90201-266P2-00	WASHER, PLATE	1	
3	6BX-11650-00-00	CONNECTING ROD ASSY	1	
4	67D-11654-00-00	.BOLT, CONNECTING ROD	2	
5	6BX-E1631-00-96	PISTON (STD)	1	
5	6BX-E1636-00-00	PISTON (0.50MM O/S)	1	AP
5	6BX-E1635-00-00	PISTON (0.25MM O/S)	1	AP
6	6BX-E1603-00-00	PISTON RING SET (STD)	1	
6	6BX-E1605-00-00	PISTON RING SET (0.50MM O/S)	1	AP
6	6BX-E1604-00-00	PISTON RING SET (0.25MM O/S)	1	AP
7	6BX-11633-00-00	PIN, PISTON	1	
8	93450-16068-00	CIRCLIP	2	

F4SMHA 0710 / CYLINDER CRANKCASE 2



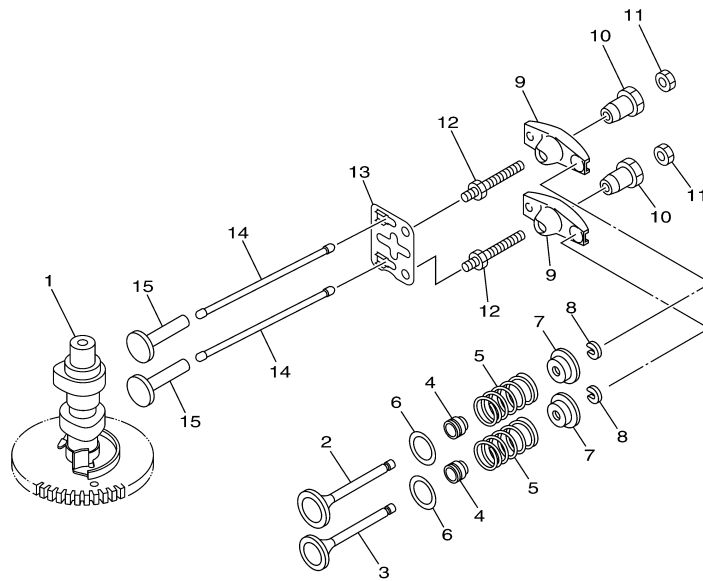
©2014 Yamaha Motor Corporation, U.S.A. All rights reserved.

Part List

F4SMHA 0710 / CYLINDER CRANKCASE 2

REF - NO	PART NUMBER	PART NAME	QUANTITY	REMARKS
1	6BX-E1311-00-1S	CYLINDER 1	1	
2	6E9-24378-00-00	.PIPE, JOINT 3	1	
3	3Y6-15361-00-00	GAUGE, LEVEL	1	
4	93102-25022-00	.OIL SEAL	1	
5	93306-205B2-00	BEARING	1	
6	6BX-E1168-00-00	COVER, BREATHER	1	
7	97013-05010-00	BOLT	2	
8	6BX-11351-00-00	.GASKET, CYLINDER	1	
9	99510-10114-00	PIN, DOWEL	2	
10	6BX-E5111-00-1S	CRANKCASE 1	1	
11	650-24378-00-00	.PIPE, JOINT 4	1	
12	676-11372-00-00	.NIPPLE, HOSE	1	
13	97013-06050-00	BOLT	8	
14	92903-06600-00	WASHER, PLATE	8	
15	68D-E5396-00-5B	HOUSING, OIL SEAL	1	
16	93210-35537-00	O-RING	1	
17	93102-20108-00	OIL SEAL	1	
18	93102-10004-00	.OIL SEAL	2	
19	97095-08020-00	BOLT	1	
20	92995-08600-00	WASHER	1	
21	97095-08014-00	BOLT	1	
22	90430-08800-00	.GASKET	1	
23	97013-06050-00	BOLT	2	
24	92903-06600-00	WASHER, PLATE	2	
25	6BX-E3310-00-00	ROTOR ASSY 1	1	
26	6BX-E3316-00-00	COVER, PUMP	1	
27	98517-06012-00	SCREW, PAN HEAD	2	
28	51Y-13411-00-00	STRAINER, OIL	1	
29	90501-18576-00	SPRING, COMPRESSION	1	
30	6BX-E3475-00-00	.GASKET	1	
31	6BX-E3417-00-1S	COVER, STRAINER	1	
32	90105-08M76-00	BOLT, FLANGE	1	
33	90201-08818-00	WASHER, PLATE	1	
34	97095-06035-00	BOLT	3	
35	92995-06600-00	WASHER	3	
36	93210-24M79-00	.O-RING	1	
37	68D-E5362-00-00	PLUG, OIL LEVEL	1	

F4SMHA 0710 / VALVE



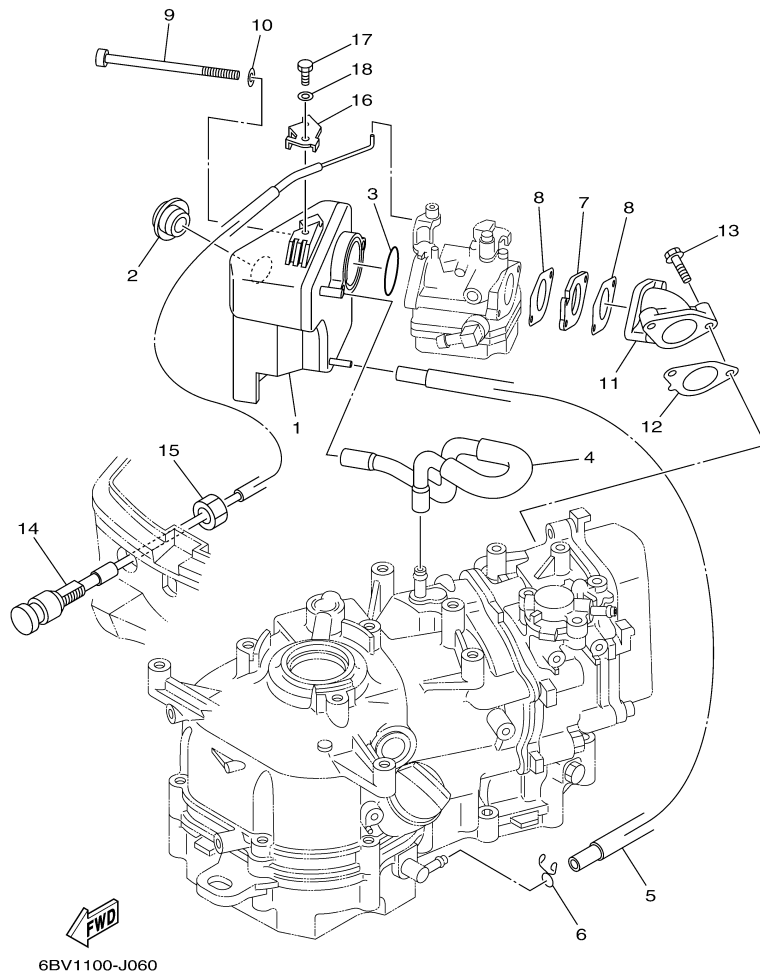
6BV1100-J050

Part List

F4SMHA 0710 / VALVE

REF - NO	PART NUMBER	PART NAME	QUANTITY	REMARKS
1	6BX-E2170-00-00	CAMSHAFT ASSY 1	1	
2	6BX-12111-00-00	VALVE, INTAKE	1	
3	6AU-12121-00-00	VALVE, EXHAUST	1	
4	51Y-12119-00-00	SEAL, VALVE STEM	2	
5	60R-12113-00-00	SPRING, VALVE INNER	2	
6	68T-12116-00-00	SEAT, VALVE SPRING	2	
7	7NJ-12117-00-00	RETAINER, VALVE SPRING	2	
8	7NJ-12118-00-00	LOCK, VALVE SPRING RETAINER	2	
9	67D-12151-00-00	ARM, VALVE ROCKER	2	
10	7FK-12165-00-00	PIVOT, ROCKER ARM	2	
11	7FK-12158-00-00	NUT, LOCK	2	
12	67D-12157-00-00	BOLT	2	
13	6BX-E2155-00-00	GUIDE, PUSH ROD	1	
14	6BX-12154-00-00	ROD, VALVE PUSH	2	
15	JA9-12153-00-00	LIFTER, VALVE	2	

F4SMHA 0710 / INTAKE



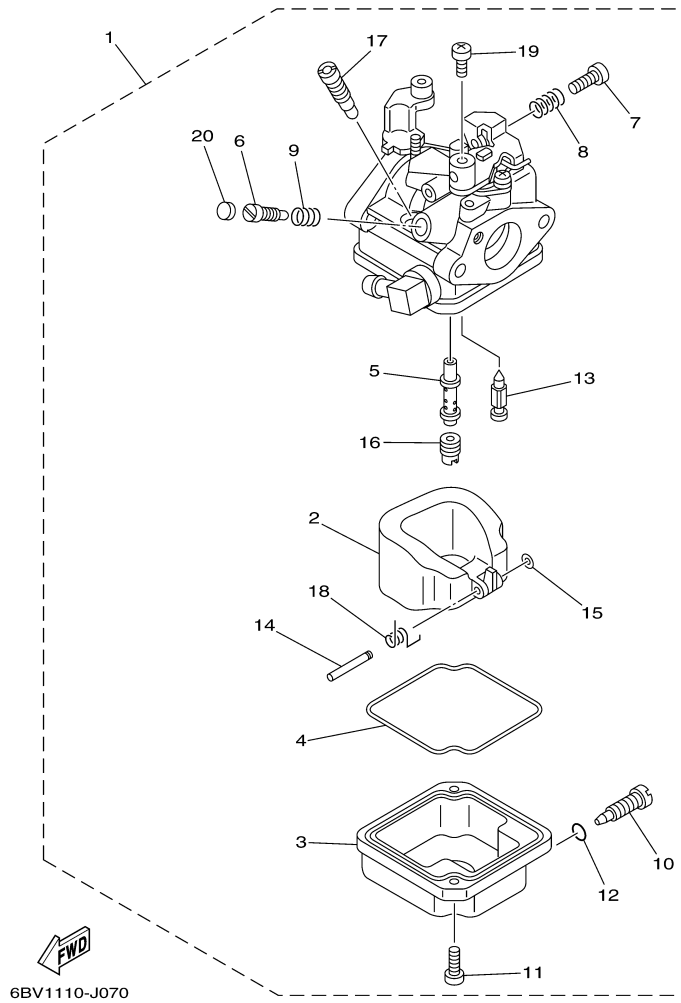
©2014 Yamaha Motor Corporation, U.S.A. All rights reserved.

Part List

F4SMHA 0710 / INTAKE

REF - NO	PART NUMBER	PART NAME	QUANTITY	REMARKS
1	6BX-14440-00-00	SILENCER ASSY, INTAKE	1	
2	90480-18M74-00	GROMMET	1	
3	93210-320A7-00	.O-RING	1	
4	6BX-F4314-00-00	PIPE 4	1	
5	6BX-E316F-00-00	HOSE, OIL 1	1	
6	90467-09M09-00	CLIP	1	
7	6BX-E3647-00-00	.GASKET, MANIFOLD 3	1	
8	6BX-E3646-00-00	.GASKET, MANIFOLD 2	2	
9	90110-06350-00	BOLT, HEXAGON SOCKET HEAD	2	
10	90201-06106-00	WASHER, PLATE	2	
11	6BX-E3641-10-94	MANIFOLD, INTAKE 1	1	
12	6BX-E3645-00-00	.GASKET, MANIFOLD 1	1	
13	97575-06525-00	BOLT, WITH WASHER	2	
14	6BX-F6330-01-00	STARTER CABLE ASSY	1	
15	6BX-F6333-00-00	NUT	1	
16	6BX-E3151-00-00	STAY	1	
17	97095-05010-00	BOLT	1	
18	92995-05600-00	WASHER	1	

F4SMHA 0710 / CARBURETOR



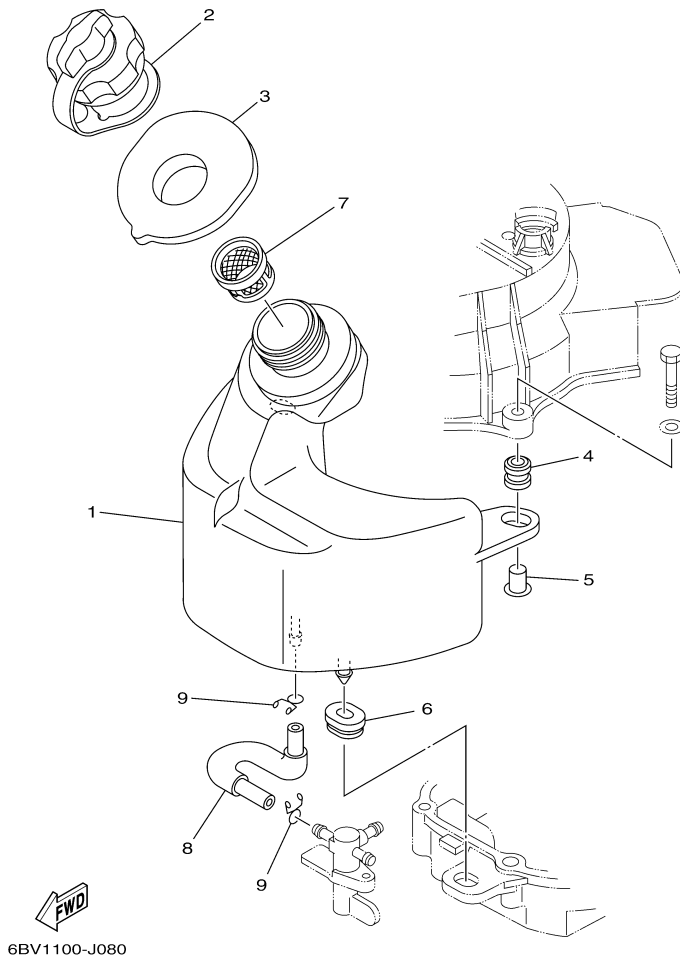
©2014 Yamaha Motor Corporation, U.S.A. All rights reserved.

Part List

F4SMHA 0710 / CARBURETOR

REF - NO	PART NUMBER	PART NAME	QUANTITY	REMARKS
1	6BV-14301-11-00	CARBURETOR ASSY 1	1	
2	6BX-14985-00-00	.FLOAT	1	
3	6BX-14980-00-00	.BODY, FLOAT CHAMBER	1	
4	6BX-14984-00-00	.GASKET, FLOAT CHAMBER	1	
5	6BV-14947-00-00	.JET, NEEDLE	1	
6	6BW-14923-10-00	.SCREW, PILOT	1	
7	6BX-14523-00-00	.SCREW, STOP	1	
8	6BX-14555-00-00	.SPRING	1	
9	6BX-14935-00-00	.SPRING	1	
10	6BX-14991-00-00	.SCREW	1	
11	6BX-14592-00-00	.SCREW	2	
12	4JH-14562-00-00	.O-RING	1	
13	6BX-14546-00-00	.VALVE, NEEDLE	1	
14	6BX-14548-00-00	.PIN, FLOAT ARM	1	
15	6BX-14937-00-00	.CLIP	1	
16	6BV-14943-11-00	.JET, MAIN (#60)	1	
17	6BV-14948-01-00	.JET (#35)	1	
18	6BX-14556-00-00	.SPRING	1	
19	98580-04006-00	.SCREW, PAN HEAD	1	
20	6BX-1432A-00-00	.PLUG	1	

F4SMHA 0710 / FUEL 1



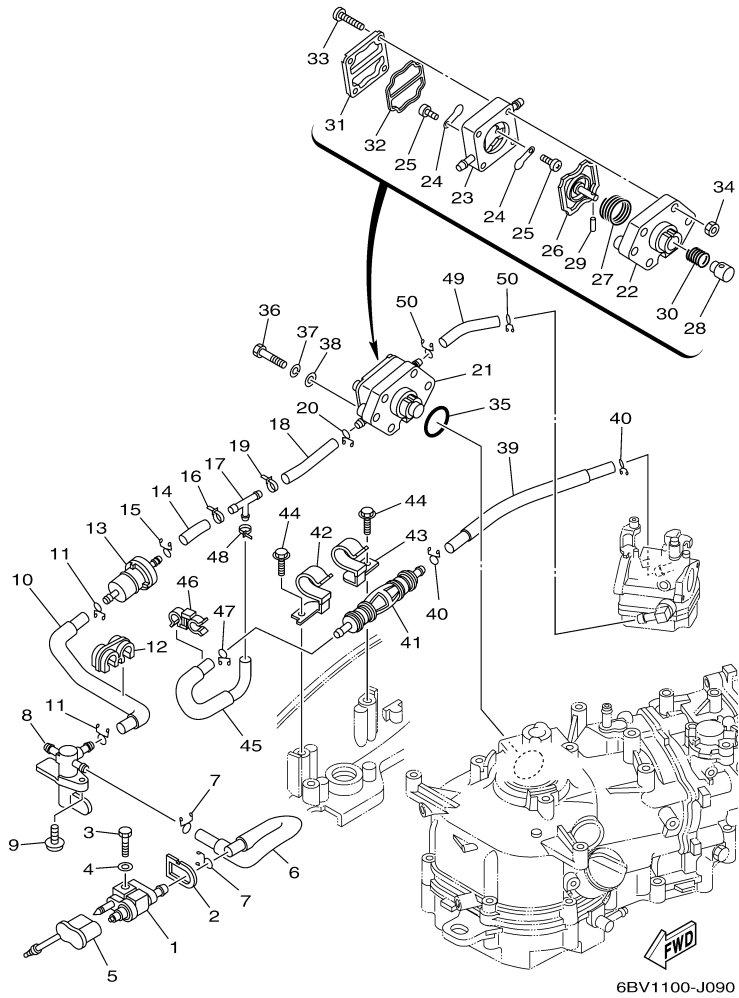
©2014 Yamaha Motor Corporation, U.S.A. All rights reserved.

Part List

F4SMHA 0710 / FUEL 1

REF - NO	PART NUMBER	PART NAME	QUANTITY	REMARKS
1	6BX-F4111-00-00	TANK, FUEL	1	
2	6BX-24610-00-00	CAP ASSY	1	
3	6BX-24641-00-00	GASKET, CAP 1	1	
4	6A0-82317-00-00	DAMPER, IGNITION COIL	2	
5	90387-06119-00	COLLAR	2	
6	90480-01559-00	GROMMET	1	
7	6BX-24167-00-00	STRAINER	1	
8	6BX-F4311-00-00	PIPE, FUEL 1	1	
9	90467-09M09-00	CLIP	2	

F4SMHA 0710 / FUEL 2



6BV1100-J090

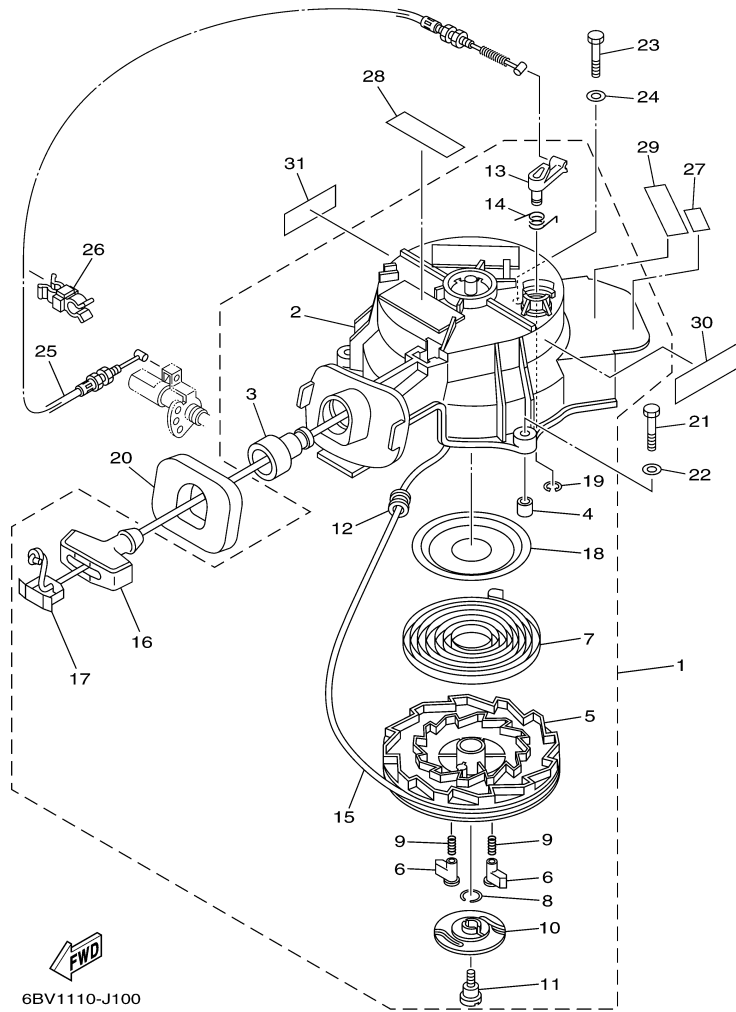
©2014 Yamaha Motor Corporation, U.S.A. All rights reserved.

Part List

F4SMHA 0710 / FUEL 2

REF - NO	PART NUMBER	PART NAME	QUANTITY	REMARKS
1	6G1-24304-02-00	FUEL PIPE JOINT COMP. 1	1	
2	60R-F4329-00-00	SEAL	1	
3	97095-06025-00	BOLT	1	
4	92995-06600-00	WASHER	1	
5	6BX-2476U-00-00	PROTECTOR,1	1	
6	6BX-F4312-00-00	PIPE 2	1	
7	90467-09M09-00	CLIP	2	
8	6BX-24500-00-00	FUEL COCK ASSY 1	1	
9	90159-06M10-00	SCREW, WITH WASHER	1	
10	6BX-F4313-00-00	PIPE 3	1	
11	90467-09M09-00	CLIP	2	
12	90464-12224-00	CLAMP	1	
13	68T-24251-01-00	STRAINER 1	1	
14	6BX-F247C-00-00	HOSE 3	1	
15	90467-09M09-00	CLIP	1	
16	90465-11M10-00	CLAMP	1	
17	688-24378-00-00	PIPE, JOINT 3	1	
18	6BX-F247D-00-00	HOSE 4	1	
19	90465-11M10-00	CLAMP	1	
20	90467-09M09-00	CLIP	1	
21	6BX-24410-00-00	FUEL PUMP ASSY	1	
22	67D-24412-00-00	.BODY 1	1	
23	67D-24413-02-00	.BODY 2	1	
24	6A0-24421-01-00	.VALVE, CHECK	2	
25	6E7-14325-00-00	.SCREW, PAN HEAD	2	
26	6BX-24411-00-00	.DIAPHRAGM	1	
27	67D-24423-00-00	.SPRING, DIAPHRAGM	1	
28	6BX-13131-00-00	.PLUNGER	1	
29	66M-24374-00-00	.PIN	1	
30	6BX-24454-00-00	.SPRING	1	
31	67D-24414-01-00	.BODY 3	1	
32	66M-24471-01-00	.DIAPHRAGM	1	
33	67D-24444-00-00	.SCREW	4	
34	95380-04600-00	.NUT	4	
35	93210-27ME3-00	O-RING	1	
36	97095-06030-00	BOLT	2	
37	92995-06100-00	WASHER, SPRING	2	
38	92995-06600-00	WASHER	2	
39	6BX-F247B-00-00	HOSE 2	1	
40	90467-09M09-00	CLIP	2	
41	6BX-24360-00-00	PRIMER PUMP ASSY	1	
42	6BX-24135-00-00	CLAMP 1	1	
43	6BX-24136-00-00	CLAMP 2	1	
44	90109-06M80-00	.BOLT	2	
45	6BX-F247A-00-00	HOSE 1	1	
46	90464-09021-00	.CLAMP	1	
47	90467-09M09-00	CLIP	1	
48	90465-11M10-00	CLAMP	1	
49	6BX-E3971-00-00	PIPE, FUEL 1	1	
50	90467-09M09-00	CLIP	2	

F4SMHA 0710 / STARTER




6BV1110-J100

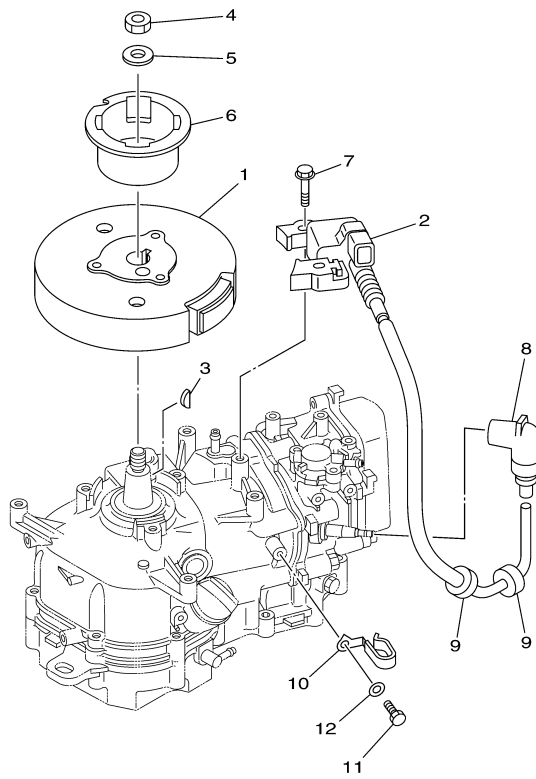
©2014 Yamaha Motor Corporation, U.S.A. All rights reserved.

Part List

F4SMHA 0710 / STARTER

REF - NO	PART NUMBER	PART NAME	QUANTITY	REMARKS
1	6BX-15710-00-00	STARTER ASSY	1	
2	6BX-15711-00-00	.CASE, STARTER	1	
3	63V-15795-01-00	.GUIDE, ROPE	1	
4	67D-15764-00-00	.COLLAR 1	3	
5	67D-15714-00-00	.DRUM, SHEAVE	1	
6	67D-15741-00-00	.PAWL, DRIVE	2	
7	67D-15713-00-00	.SPRING, STARTER	1	
8	6BX-15705-00-00	.SPRING, DRIVE PAWL	1	
9	67D-15767-00-00	.SPRING	2	
10	67D-15735-00-00	.GUIDE, CAM	1	
11	67D-15793-00-00	.SCREW	1	
12	63V-15764-00-00	.COLLAR 1	1	
13	67D-15794-01-00	.STOPPER	1	
14	67D-15734-00-00	.SPRING, RETURN	1	
15	90790-48192-00	..ROPE, STARTER	1	UNAVAILABLE - OBTAIN LOCALLY, CUT TO 1.8M
16	6G1-15755-00-00	.HANDLE, STARTER	1	
17	6G1-15779-00-00	.COVER	1	
18	67D-15739-00-00	.WASHER, THRUST	1	
19	67D-15744-00-00	.CIRCLIP	1	
20	6BX-15762-00-00	SEAL, RUBBER 2	1	
21	97095-06035-00	BOLT	2	
22	92995-06600-00	WASHER	2	
23	97095-06020-00	BOLT	1	
24	92995-06600-00	WASHER	1	
25	6BX-E5770-00-00	CABLE COMP., STARTER STOP	1	
26	90464-07008-00	CLAMP	1	
27	6BX-82377-00-00	LABEL	1	
28	6AH-81995-40-00	LABEL, WARNING	1	
29	6BX-E3437-40-00	MARK, CAUTION	1	
30	6BX-E4427-40-00	LABEL, INSTRUCTION	1	
31	6AH-81994-40-00	LABEL, SAFETY	1	

F4SMHA 0710 / GENERATOR



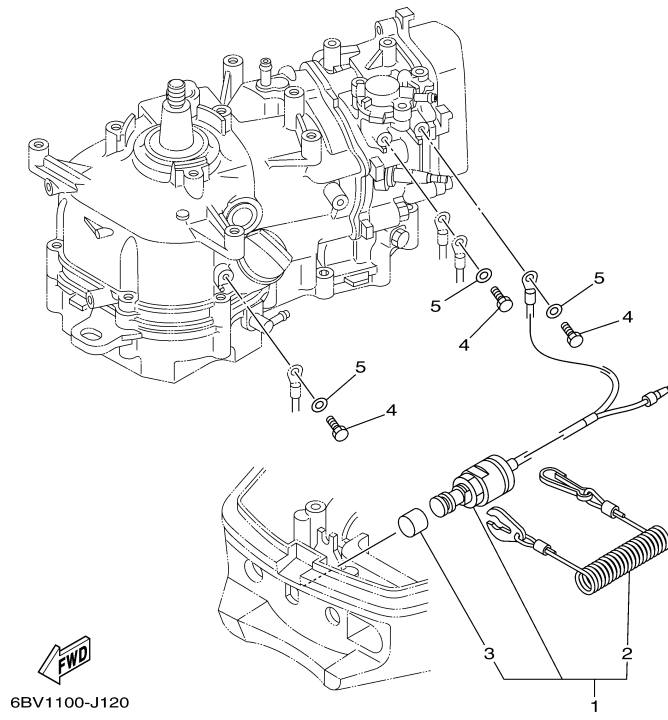
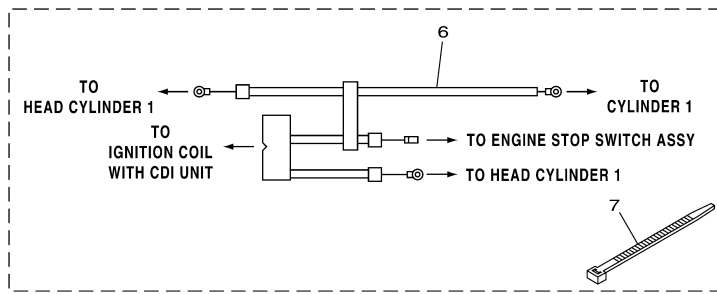

6BV1100-J110

Part List

F4SMHA 0710 / GENERATOR

REF - NO	PART NUMBER	PART NAME	QUANTITY	REMARKS
1	6BX-85550-00-00	ROTOR ASSY	1	
2	6BV-85571-01-00	IGNITION COIL WITH CDI UNIT	1	
3	90280-04M06-00	KEY, WOODRUFF	1	
4	90170-12066-00	NUT	1	
5	90201-12472-00	WASHER, PLATE	1	
6	6BX-15723-00-00	PULLEY, STARTER	1	
7	90105-06037-00	BOLT, FLANGE	2	
8	6BX-82370-00-00	PLUG CAP ASSY	1	
9	90480-25161-00	GROMMET	2	
10	90465-08361-00	CLAMP	1	
11	97095-06012-00	BOLT	1	
12	92995-06600-00	WASHER	1	

F4SMHA 0710 / ELECTRICAL




Part List

F4SMHA 0710 / ELECTRICAL

REF - NO	PART NUMBER	PART NAME	QUANTITY	REMARKS
1	6BX-82575-00-00	ENGINE STOP SWITCH ASSY	1	
2	682-82556-00-00	.LANYARD, STOP SWITCH	1	
3	689-8257Y-00-00	.CAP	1	
4	97095-06012-00	BOLT	3	
5	92995-06600-00	WASHER	3	
6	6BX-82531-00-00	WIRE, LEAD	1	
7	90465-13M97-00	CLAMP	4	

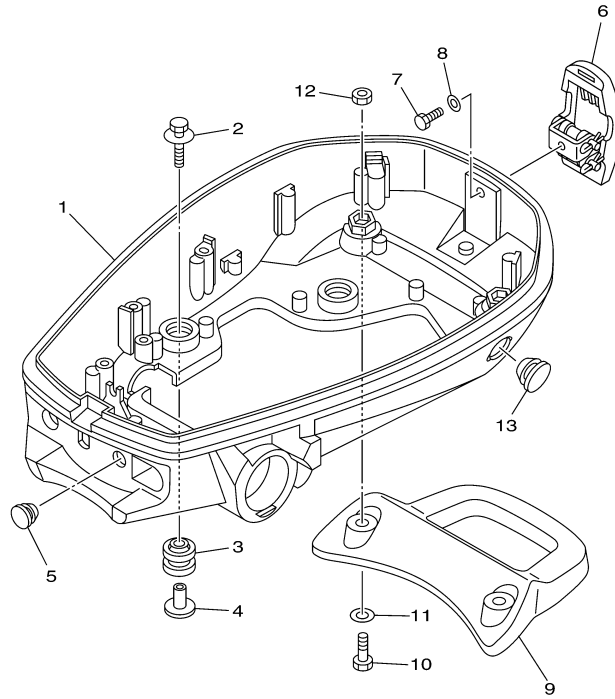
Part Notes

F4SMHA 0710 / ELECTRICAL

PART NUMBER	NOTE TEXT
682-82556-00-00 	OEM: This part number is among the Top 100 Most Popular Marine Maintenance Parts as of March 2014.

©2014 Yamaha Motor Corporation, U.S.A. All rights reserved.

F4SMHA 0710 / BOTTOM COWLING



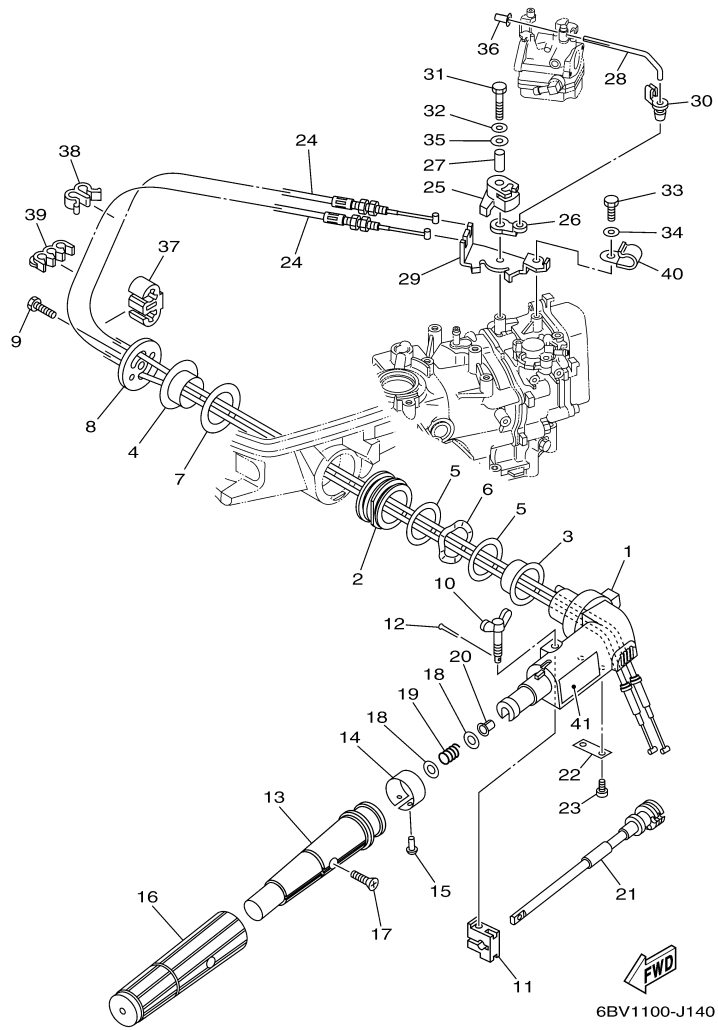

6BV2110-K130

Part List

F4SMHA 0710 / BOTTOM COWLING

REF - NO	PART NUMBER	PART NAME	QUANTITY	REMARKS
1	6BX-G2711-00-4D	COWLING, BOTTOM 1	1	
2	68F-85119-00-00	BOLT	4	
3	90480-21M82-00	GROMMET	4	
4	90387-06176-00	COLLAR	4	
5	90480-14M14-00	GROMMET	1	
6	68T-42801-00-00	COWLING CLAMP COMP.	1	
7	97095-06012-00	BOLT	1	
8	92995-06600-00	WASHER	1	
9	6BX-G2731-00-00	CARRYING HANDLE	1	
10	97095-08020-00	BOLT	2	
11	92995-08600-00	WASHER	2	
12	95380-08600-00	NUT	2	
13	90480-22M72-00	GROMMET	1	

F4SMHA 0710 / STEERING



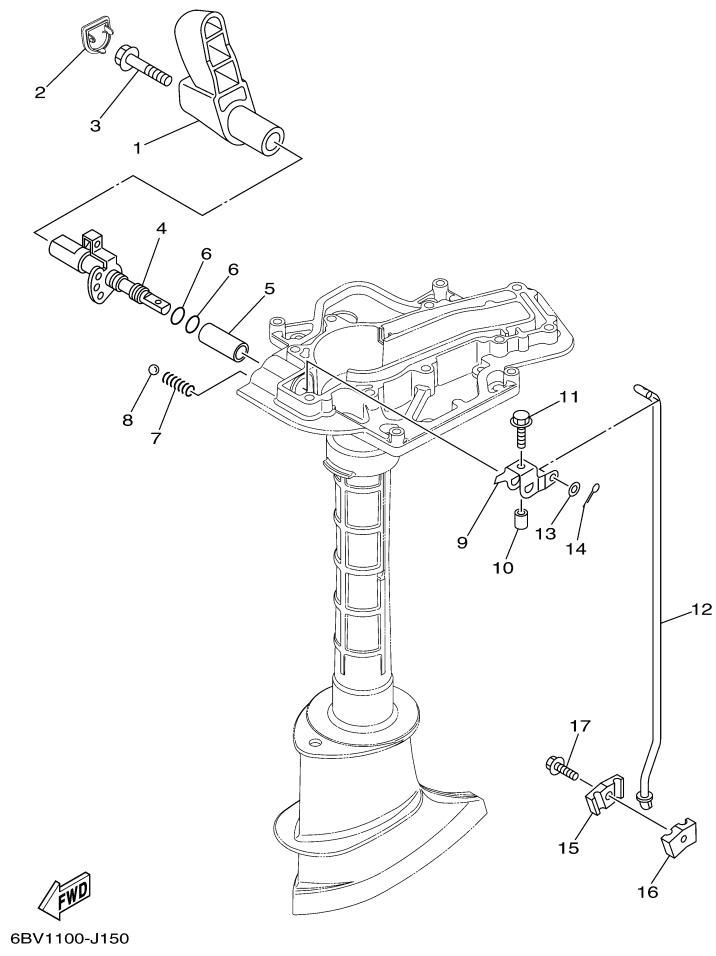
©2014 Yamaha Motor Corporation, U.S.A. All rights reserved.

Part List

F4SMHA 0710 / STEERING

REF - NO	PART NUMBER	PART NAME	QUANTITY	REMARKS
1	6BX-G2111-00-4D	HANDLE, STEERING	1	
2	6BX-42129-00-00	BUSHING, RUBBER	1	
3	6BX-G2171-00-00	BUSHING	1	
4	6BX-G2172-00-00	BUSHING 2	1	
5	6BX-G2181-00-00	WASHER	2	
6	6BX-G2188-00-00	WASHER, WAVE	1	
7	6BX-G2182-00-00	WASHER 2	1	
8	6BX-42131-00-00	COVER, HANDLE STEERING	1	
9	97075-08025-00	BOLT	1	
10	6G1-42125-01-00	BOLT, FRICTION ADJUSTING	1	
11	6G1-42126-00-00	FRICTION, STEERING HANDLE GRIP	1	
12	91490-16010-00	PIN. COTTER	1	
13	68D-G2119-01-00	GRIP, STEERING HANDLE	1	
14	60P-G2137-00-00	INDICATOR, THROTTLE	1	
15	90269-02M09-00	RIVET	1	
16	68D-G2177-10-00	RUBBER, HANDLE	1	
17	90152-05011-00	SCREW, COUNTERSUNK	1	
18	90201-10M02-00	WASHER, PLATE	2	
19	90501-23215-00	SPRING, COMPRESSION	1	
20	90386-08032-00	BUSH	1	
21	6BX-42138-00-00	LEVER, THROTTLE	1	
22	68D-G2159-00-00	STAY	1	
23	97885-05012-00	SCREW, PAN HEAD	2	
24	6BX-F6301-00-00	THROTTLE CABLE ASSY	2	
25	6BX-41638-00-00	PULLEY	1	
26	6BX-41283-00-00	LEVER, FREE ACCEL.	1	
27	90387-06252-00	COLLAR	1	
28	6BX-41211-00-00	LINK, ACCEL.	1	
29	6BX-E4497-00-00	STAY, THROTTLE WIRE	1	
30	661-41262-02-00	JOINT, CHOKE LEVER	1	
31	97095-06035-00	BOLT	1	
32	92995-06600-00	WASHER	1	
33	97095-06012-00	BOLT	1	
34	92995-06600-00	WASHER	1	
35	90201-06M62-00	WASHER, PLATE	1	
36	647-14395-60-00	CAP, OVERFLOW PIPE	1	
37	90464-06006-00	CLAMP	2	
38	90464-07M20-00	CLAMP	1	
39	90464-07M05-00	CLAMP	1	
40	90465-08395-00	CLAMP	1	
41	6AH-42794-40-00	LABEL, WARNING (GENERAL)	1	

F4SMHA 0710 / CONTROL



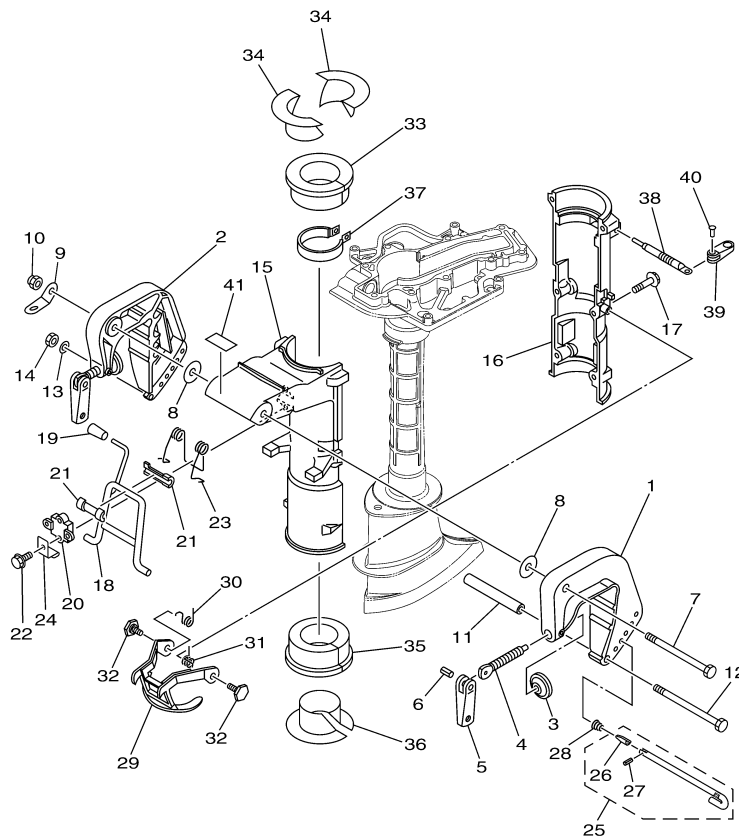
©2014 Yamaha Motor Corporation, U.S.A. All rights reserved.

Part List

F4SMHA 0710 / CONTROL

REF - NO	PART NUMBER	PART NAME	QUANTITY	REMARKS
1	6BX-G4111-00-00	HANDLE, GEAR SHIFT	1	
2	6BX-G3679-00-00	STOPPER, HOOK	1	
3	90105-08046-00	BOLT, FLANGE	1	
4	6BX-G4119-00-CA	SHAFT, CHANGE	1	
5	6BX-G4122-00-00	BUSHING, SHIFT ROD LEVER	1	
6	93210-09350-00	O-RING	2	
7	90501-12802-00	SPRING, COMPRESSION	1	
8	93505-16024-00	BALL	1	
9	6BX-G4121-00-00	LEVER, SHIFT ROD	1	
10	90387-06504-00	COLLAR	1	
11	90119-05M04-00	BOLT, WITH WASHER	1	
12	6BX-44143-00-00	ROD, SHIFT	1	
13	92990-05600-00	WASHER, PLATE	1	
14	91490-16010-00	PIN. COTTER	1	
15	68D-G4145-00-00	CONNECTOR, SHIFT ROD	1	
16	68D-G4146-00-00	CONNECTOR, SHIFT ROD	1	
17	90119-06256-00	BOLT, WITH WASHER	1	

F4SMHA 0710 / BRACKET



6BV1110-J160


Part List

F4SMHA 0710 / BRACKET

REF - NO	PART NUMBER	PART NAME	QUANTITY	REMARKS
1	6L8-G3111-01-4D	BRACKET, CLAMP 1	1	
2	6L8-G3112-00-4D	BRACKET, CLAMP 2	1	
3	620-43114-00-00	PAD, TRANSOM CLAMP	2	
4	6E0-43116-01-00	SCREW, TRANSOM CLAMP	2	
5	6L8-G3118-01-00	HANDLE, TRANSOM CLAMP	2	
6	90243-04M01-00	PIN	2	
7	90101-08M07-00	BOLT	1	
8	90202-08M58-00	WASHER, PLATE	2	
9	68D-G3113-00-00	PLATE, CLAMP BRACKET	1	
10	90185-08057-00	NUT, SELF-LOCKING	1	
11	90387-06M11-00	COLLAR	1	
12	90101-06335-00	BOLT	1	
13	92990-06600-00	WASHER, PLATE	1	
14	95380-06600-00	NUT, HEXAGON	1	
15	68D-G3311-01-4D	BRACKET, SWIVEL 1	1	
16	68D-G3312-01-4D	BRACKET, SWIVEL 2	1	
17	95895-06035-00	BOLT, FLANGE	6	
18	6BX-43181-00-00	LEVER, TILT STOP 1	1	
19	6E0-43632-00-00	KNOB, TILT	1	
20	6E0-43313-00-94	BRACKET, SWIVEL 3	1	
21	620-43189-00-00	BUSHING	2	
22	95895-06020-00	BOLT, FLANGE	2	
23	6BX-48561-00-00	SPRING 1	1	
24	6BX-G3319-00-00	PLATE	1	
25	68D-G3160-00-00	TILT ROD ASSY	1	
26	6N0-G3165-00-00	.PLATE, TILT LOCK	1	
27	91690-30008-00	.PIN, SPRING	1	
28	90502-08M05-00	SPRING, CONICAL	1	
29	6BX-43614-00-00	PLATE, TILT LOCK	1	
30	6BX-43188-00-00	SPRING	1	
31	6BX-43198-00-00	SPRING 2	1	
32	90109-06M84-00	BOLT	2	
33	68D-G2537-00-00	BUSHING, PIVOT SHAFT	1	
34	68D-G2539-00-00	BUSHING, PIVOT SHAFT	2	
35	6BX-G2538-00-00	BUSHING, PIVOT SHAFT	1	
36	6BX-G2549-00-00	BUSHING, PIVOT SHAFT	1	
37	6E0-42528-03-00	PLATE, FRICTION	1	
38	6L5-42529-01-00	SCREW, FRICTION PIECE	1	
39	68D-G2561-01-00	KNOB, STEERING LOCK	1	
40	90266-04M05-00	RIVET	1	
41	6BX-F4591-00-00	EMBLEM, FUEL COCK	1	

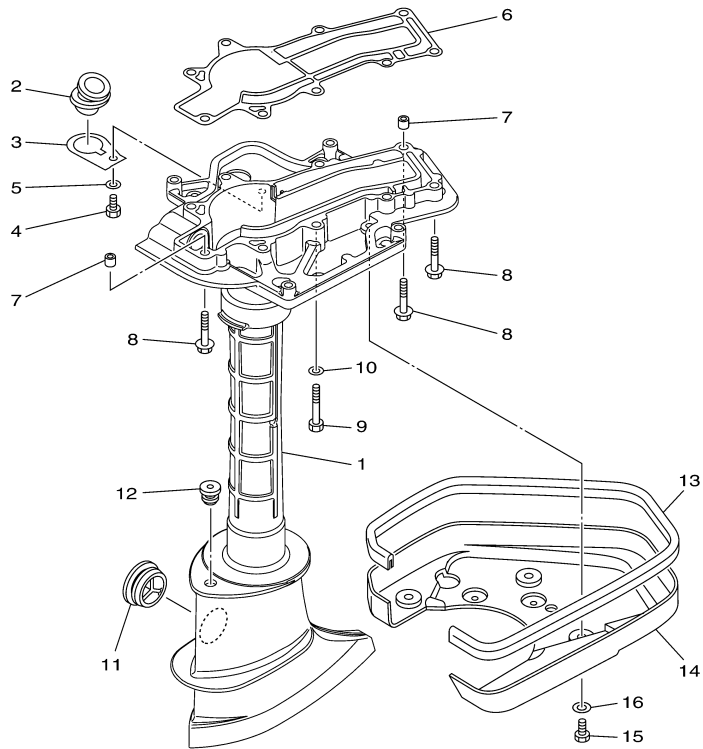
Part Notes

F4SMHA 0710 / BRACKET

PART NUMBER	NOTE TEXT
92990-06600-00 	OEM: This part number is among the Top 100 Most Popular Marine Maintenance Parts as of March 2014.

©2014 Yamaha Motor Corporation, U.S.A. All rights reserved.

F4SMHA 0710 / UPPER CASING



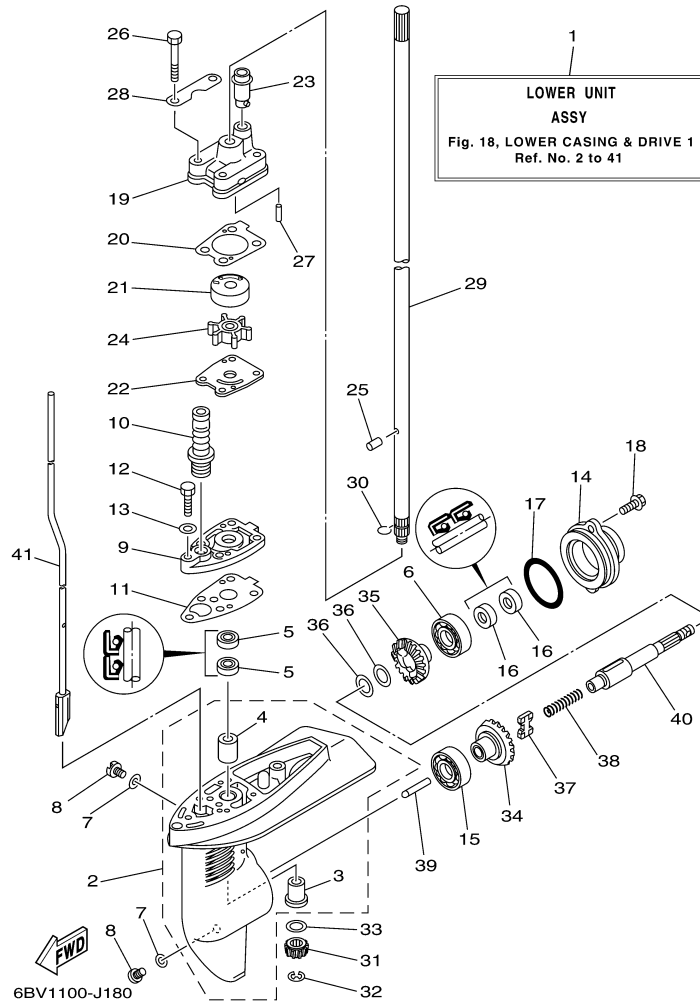

6BV2110-K170

Part List

F4SMHA 0710 / UPPER CASING

REF - NO	PART NUMBER	PART NAME	QUANTITY	REMARKS
1	6BX-G5111-00-4D	CASING, UPPER	1	
2	6BX-15316-00-00	DAMPER 1	1	
3	6BX-G5321-00-00	PLATE	1	
4	97095-06014-00	BOLT	1	
5	92995-06600-00	WASHER	1	
6	6BX-45113-00-00	.GASKET, UPPER CASING	1	
7	90387-06806-00	COLLAR	2	
8	97575-06540-00	BOLT, WITH WASHER	5	
9	97075-06050-00	BOLT	4	
10	92995-06600-00	WASHER	4	
11	647-45151-01-00	COVER, UPPER CASING	2	
12	90480-10M13-00	GROMMET	1	
13	6BX-42716-00-00	RUBBER, SEAL 1	1	
14	6BX-G2723-00-00	COVER, BOTTOM	1	
15	97095-06014-00	BOLT	4	
16	92995-06600-00	WASHER	4	

F4SMHA 0710 / LOWER CASING DRIVE 1



©2014 Yamaha Motor Corporation, U.S.A. All rights reserved.


Part List

F4SMHA 0710 / LOWER CASING DRIVE 1

REF - NO	PART NUMBER	PART NAME	QUANTITY	REMARKS
1	6BX-G5300-00-4D	LOWER UNIT ASSY	1	S(17.1")
2	68D-G5311-00-4D	CASING, LOWER	1	
3	6E0-45317-09-00	.BUSHING, DRIVE SHAFT	1	
4	6E0-45316-09-00	.BUSHING, DRIVE SHAFT	1	
5	93101-10M14-00	.OIL SEAL	2	
6	93306-004YH-00	BEARING	1	
7	90430-08020-00	.GASKET	3	
8	90340-08002-00	PLUG, STRAIGHT SCREW	3	
9	68D-G5321-00-00	PLATE	1	
10	6L2-44147-00-00	BOOT, SHIFT ROD	1	
11	68D-G5315-A0-00	.PACKING, LOWER CASING	1	
12	97095-06025-00	BOLT	1	
13	92995-06600-00	WASHER	1	
14	68D-G5361-00-4D	CAP, LOWER CASING	1	
15	93306-004YH-00	BEARING	1	
16	93101-13M12-00	.OIL SEAL	2	
17	93210-48214-00	.O-RING	1	
18	95895-06016-00	BOLT, FLANGE	2	
19	6BX-44311-00-00	.HOUSING, WATER PUMP	1	
20	6BX-G4315-01-00	.GASKET, WATER PUMP	1	
21	6BX-44322-00-00	.INSERT, CARTRIDGE	1	
22	6BX-44323-00-00	.OUTER PLATE, CARTRIDGE	1	
23	67D-44366-00-00	.DAMPER, WATER SEAL 2	1	
24	6E0-44352-00-00	IMPELLER	1	
25	93604-09066-00	PIN, DOWEL	1	
26	97095-06045-00	.BOLT	4	
27	93604-18080-00	.PIN, DOWEL	2	
28	68D-G4328-00-00	PLATE	2	
29	68D-G5511-00-00	SHAFT, DRIVE	1	S(17.1")
30	90467-08M01-00	CLIP	1	
31	6BX-45551-00-00	PINION (13T)	1	
32	99001-06600-00	CIRCLIP	1	
33	90201-11M49-00	WASHER, PLATE	1	
34	67D-45560-00-00	GEAR 1 (27T)	1	
35	67D-45570-00-00	GEAR 2 (27T)	1	
36	67D-45576-00-00	WASHER, THRUST 2	2	
37	67D-45631-01-00	CLUTCH, DOG	1	
38	90501-120A9-00	SPRING, COMPRESSION	1	
39	67D-45635-00-00	PLUNGER, SHIFT	1	
40	68D-G5611-10-00	SHAFT, PROPELLER	1	
41	6BX-G4150-00-00	SHIFT CAM ASSY	1	S(17.1")

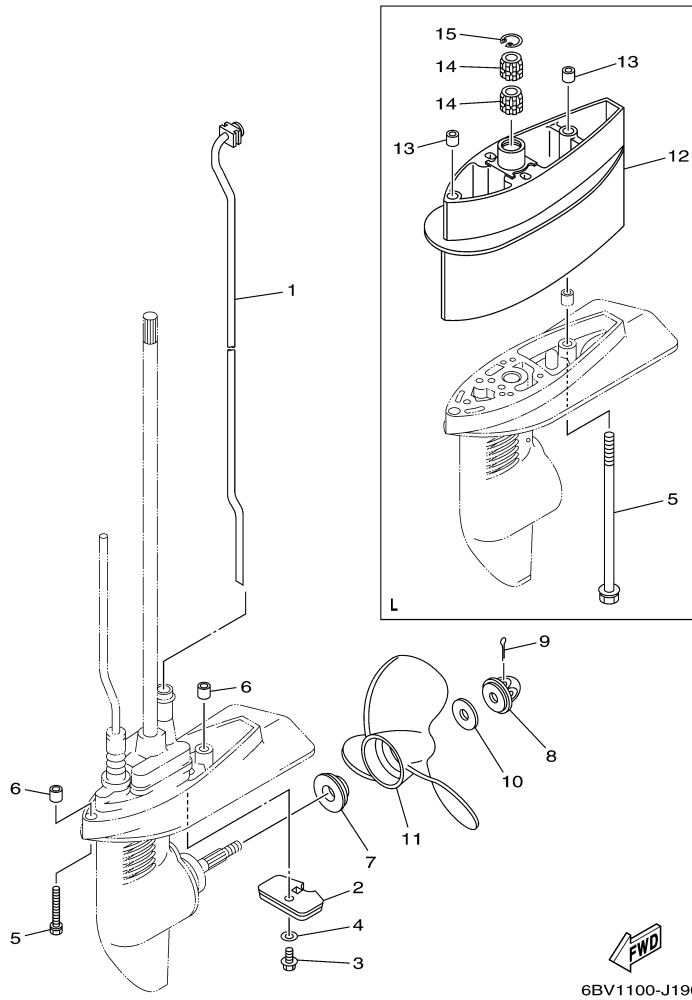
Part Notes

F4SMHA 0710 / LOWER CASING DRIVE 1

PART NUMBER	NOTE TEXT
90430-08020-00 	OEM: This part number is among the Top 100 Most Popular Marine Maintenance Parts as of March 2014.

©2014 Yamaha Motor Corporation, U.S.A. All rights reserved.

F4SMHA 0710 / LOWER CASING DRIVE 2



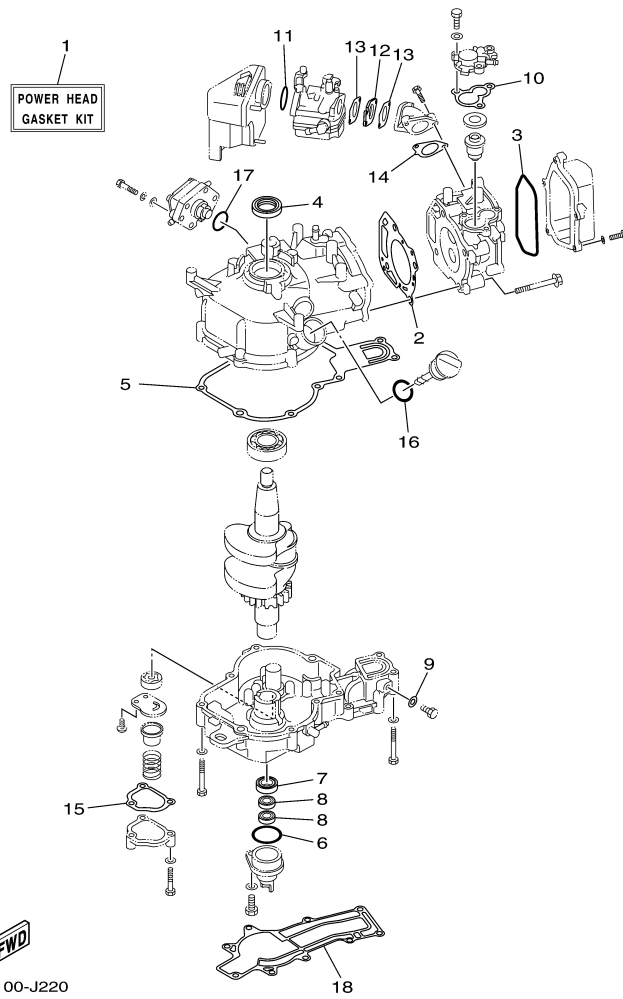

6BV1100-J190

Part List

F4SMHA 0710 / LOWER CASING DRIVE 2

REF - NO	PART NUMBER	PART NAME	QUANTITY	REMARKS
1	6BX-G4360-00-00	WATER TUBE ASSY	1	S(17.1")
2	68D-G5251-00-00	ANODE	1	
3	95895-06012-00	BOLT, FLANGE	1	
4	92990-06300-00	WASHER, INTERNAL TOOTH	1	
5	90119-06253-00	BOLT, WITH WASHER	2	S(17.1")
6	90387-06806-00	COLLAR	2	
7	68D-G5987-00-00	SPACER 1	1	
8	6L5-45616-00-00	NUT, PROPELLER	1	
9	91490-25030-00	PIN. COTTER	1	
10	90201-08M54-00	WASHER, PLATE	1	
11	6E0-45943-01-EL	PROPELLER (3X7-1/2"X7"- BA)	1	UR
11	6E0-45941-01-EL	PROPELLER (3X7-1/2"X8"- BA)	1	UR
11	6E0-45954-00-00	PROPELLER (3X7-1/2"X9"- BA)	1	AP
11	6E0-45952-00-EL	PROPELLER (3X7-1/4"X8- 1/4"-BA)	1	UR
11	6E0-45949-00-EL	PROPELLER (3X7-1/4"X6- 1/2"-BA)	1	UR

F4SMHA 0710 / REPAIR KIT 1



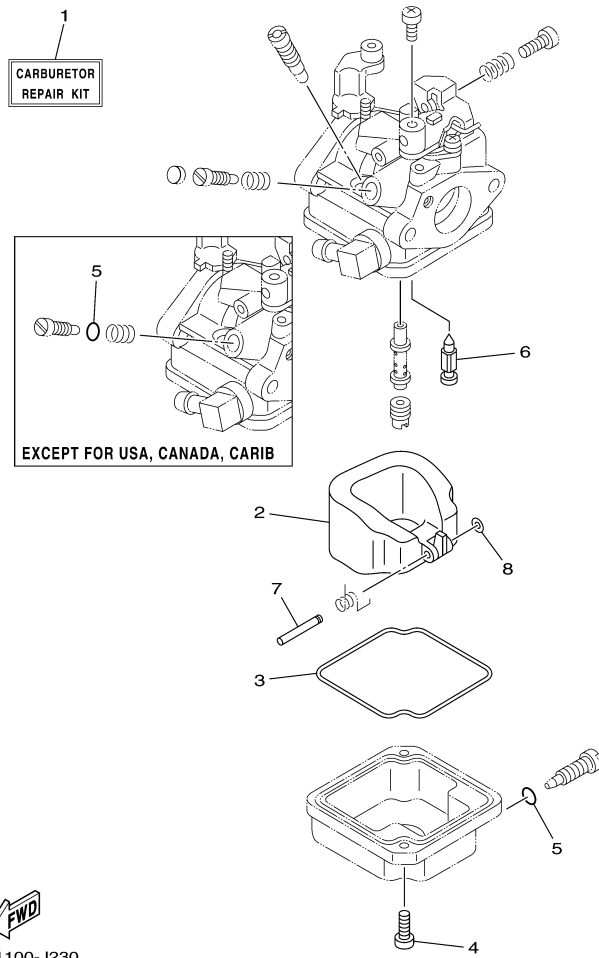
©2014 Yamaha Motor Corporation, U.S.A. All rights reserved.

Part List

F4SMHA 0710 / REPAIR KIT 1

REF - NO	PART NUMBER	PART NAME	QUANTITY	REMARKS
1	6BX-WE001-00-00	POWER HEAD GASKET KIT	1	
2	6BX-11181-00-00	.GASKET, CYLINDER HEAD 1	1	
3	6BX-11356-00-00	.SEAL, CYLINDER 2	1	
4	93102-25090-00	.OIL SEAL	1	
5	6BX-11351-00-00	.GASKET, CYLINDER	1	
6	93210-35537-00	.O-RING	1	
7	93102-20108-00	.OIL SEAL	1	
8	93102-10004-00	.OIL SEAL	2	
9	90430-08800-00	.GASKET	1	
10	68D-E2414-A0-00	.GASKET, COVER	1	
11	93210-320A7-00	.O-RING	1	
12	6BX-E3647-00-00	.GASKET, MANIFOLD 3	1	
13	6BX-E3646-00-00	.GASKET, MANIFOLD 2	2	
14	6BX-E3645-00-00	.GASKET, MANIFOLD 1	1	
15	6BX-E3475-00-00	.GASKET	1	
16	93210-24M79-00	.O-RING	1	
17	93210-27ME3-00	.O-RING	1	
18	6BX-45113-00-00	.GASKET, UPPER CASING	1	

F4SMHA 0710 / REPAIR KIT 2



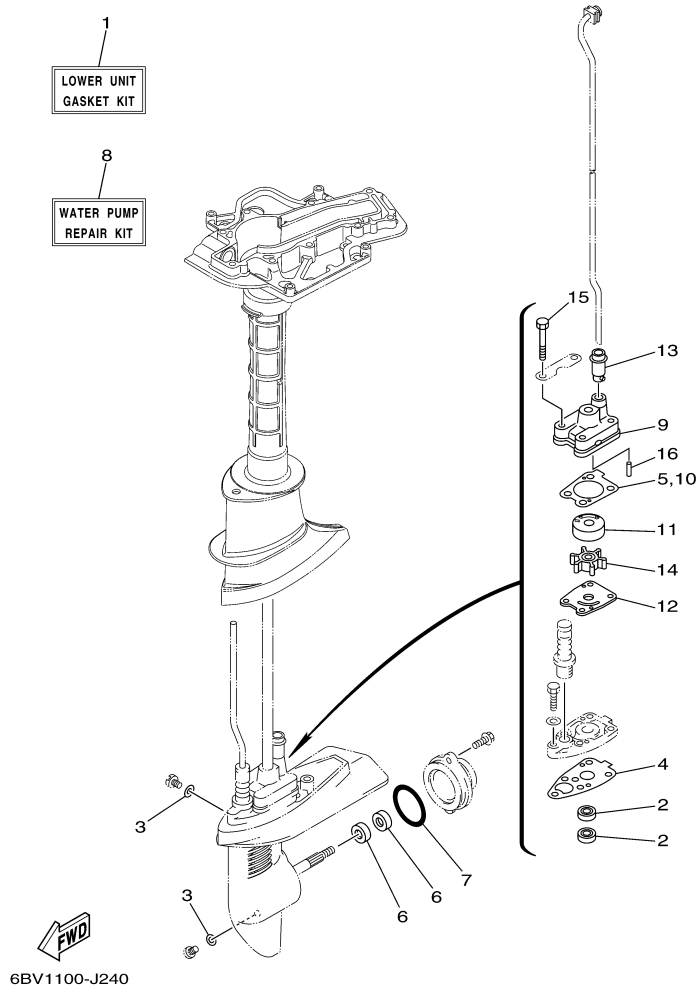

6BV1100-J230

Part List

F4SMHA 0710 / REPAIR KIT 2

REF - NO	PART NUMBER	PART NAME	QUANTITY	REMARKS
1	6BX-W0093-00-00	CARBURETOR REPAIR KIT	1	
2	6BX-14985-00-00	.FLOAT	1	
3	6BX-14984-00-00	.GASKET, FLOAT CHAMBER	1	
4	6BX-14592-00-00	.SCREW	2	
5	4JH-14562-00-00	.O-RING	2	
6	6BX-14546-00-00	.VALVE, NEEDLE	1	
7	6BX-14548-00-00	.PIN, FLOAT ARM	1	
8	6BX-14937-00-00	.CLIP	1	

F4SMHA 0710 / REPAIR KIT 3



©2014 Yamaha Motor Corporation, U.S.A. All rights reserved.


Part List

F4SMHA 0710 / REPAIR KIT 3

REF - NO	PART NUMBER	PART NAME	QUANTITY	REMARKS
1	6BX-WG001-20-00	LOWER UNIT GASKET KIT	1	
2	93101-10M14-00	.OIL SEAL	2	
3	90430-08020-00	.GASKET	3	
4	68D-G5315-A0-00	.PACKING, LOWER CASING	1	
5	6BX-G4315-01-00	.GASKET, WATER PUMP	1	
6	93101-13M12-00	.OIL SEAL	2	
7	93210-48214-00	.O-RING	1	
8	6BX-WG078-00-00	WATER PUMP REPAIR KIT	1	
9	6BX-44311-00-00	.HOUSING, WATER PUMP	1	
10	6BX-G4315-01-00	.GASKET, WATER PUMP	1	
11	6BX-44322-00-00	.INSERT, CARTRIDGE	1	
12	6BX-44323-00-00	.OUTER PLATE, CARTRIDGE	1	
13	67D-44366-00-00	.DAMPER, WATER SEAL 2	1	
14	6E0-44352-00-00	.IMPELLER	1	
15	97095-06045-00	.BOLT	4	
16	93604-18080-00	.PIN, DOWEL	2	

Part Notes

F4SMHA 0710 / REPAIR KIT 3

PART NUMBER	NOTE TEXT
90430-08020-00 	OEM: This part number is among the Top 100 Most Popular Marine Maintenance Parts as of March 2014.

©2014 Yamaha Motor Corporation, U.S.A. All rights reserved.

©2014 Yamaha Motor Corporation, U.S.A. All rights reserved.